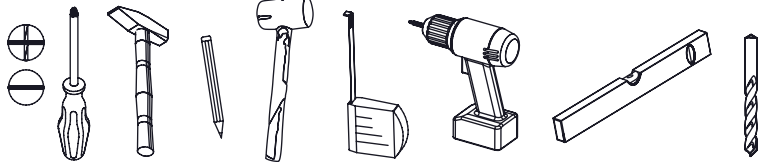
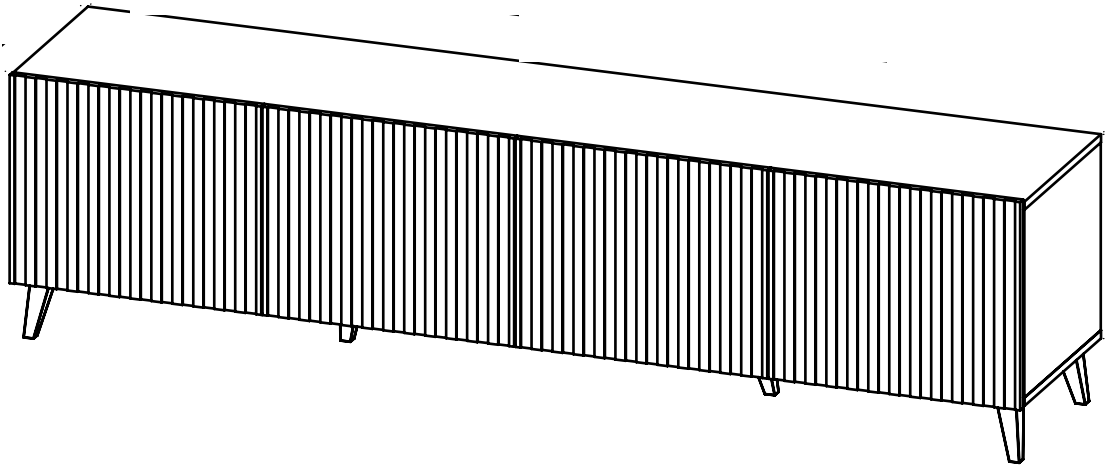
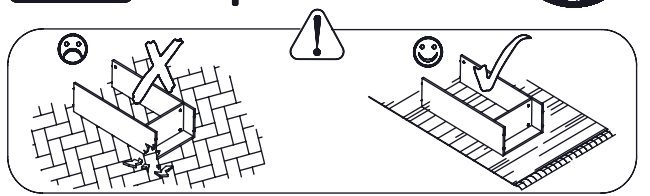


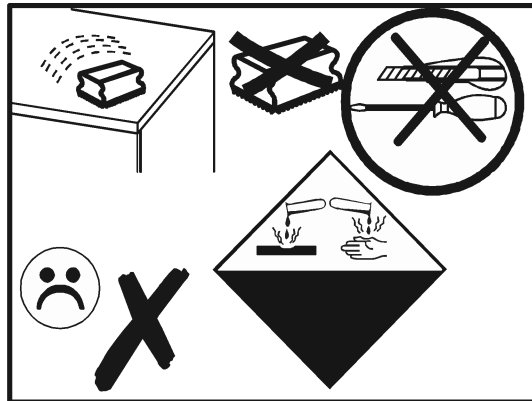
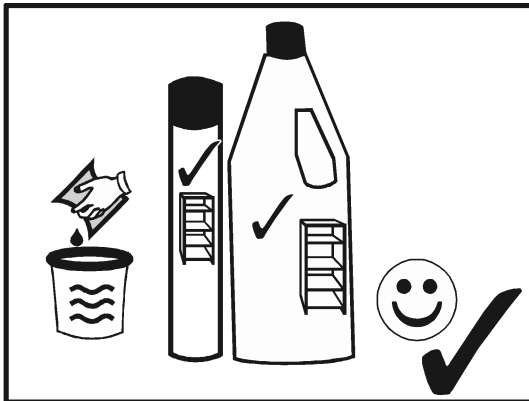
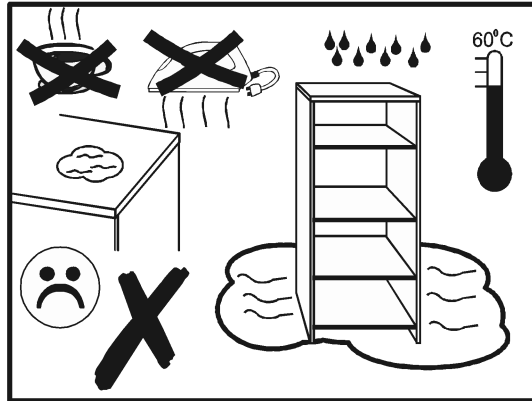
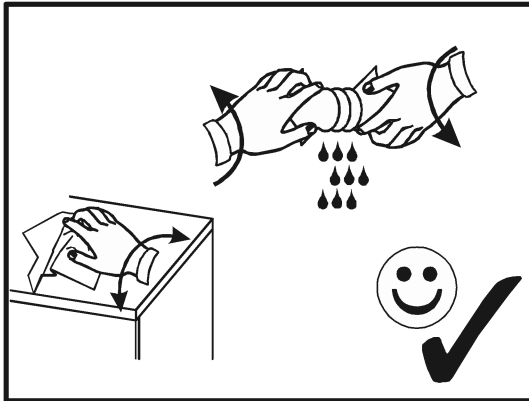
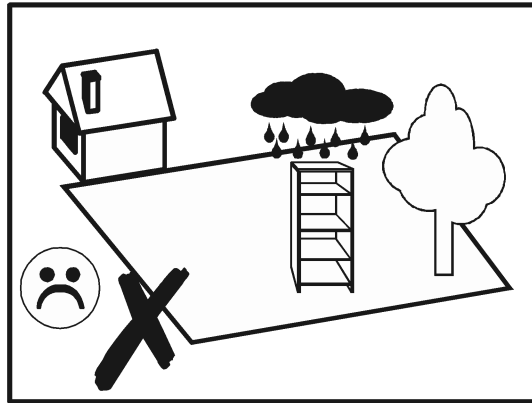
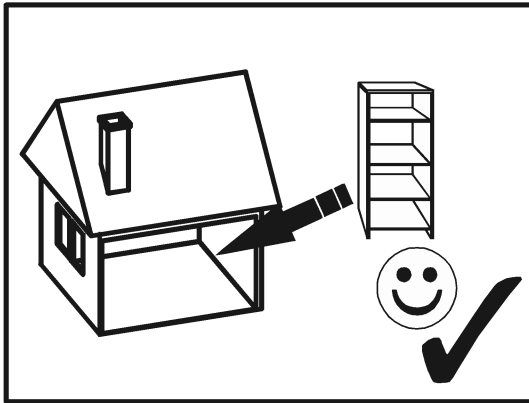
10  
9  
8  
7  
6  
5  
4  
3  
2  
1  
0



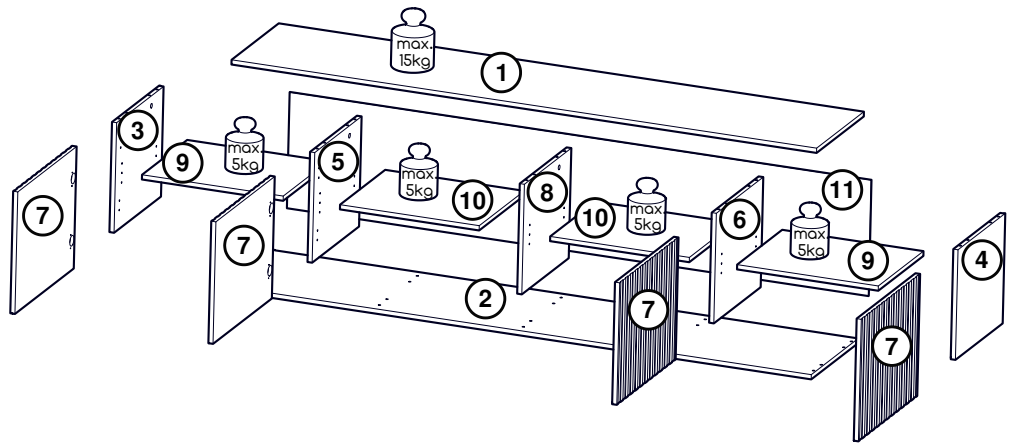
[ 1 ]



v 1.0

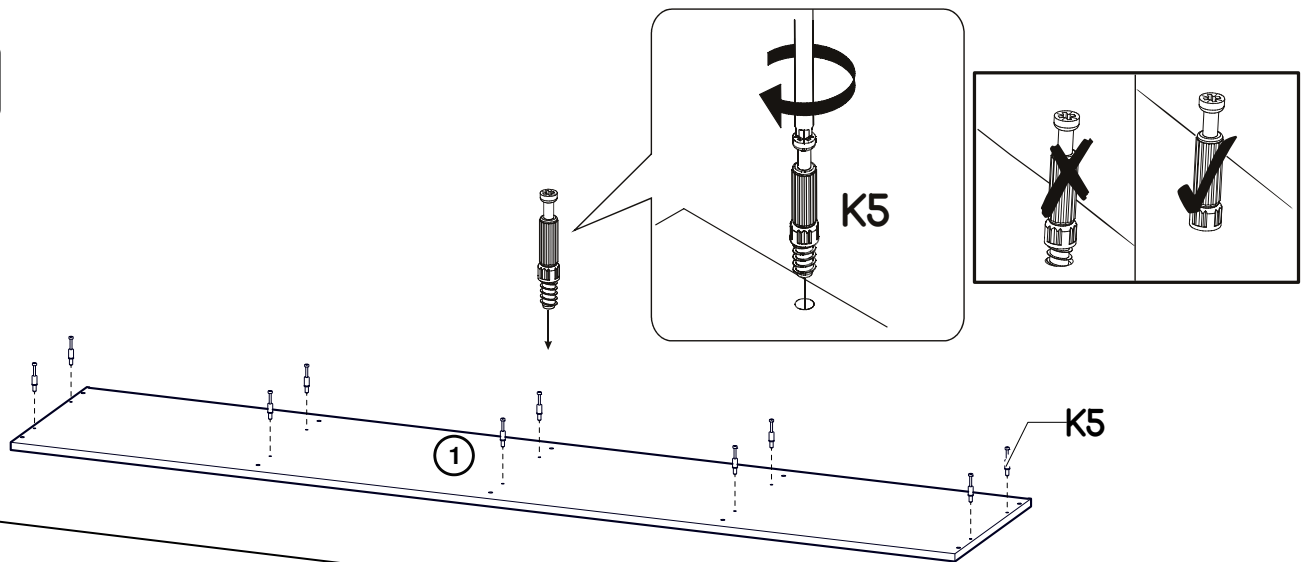


Nr	Xmm	Ymm	Zmm	x
1	2005	400	16	1
2	2005	400	16	1
3	369	400	16	1
4	369	400	16	1
5	369	397	16	1
6	369	397	16	1
7	498	409	16	4
8	369	397	16	1
9	483	382	16	2
10	477	382	16	2
11	1993	389	2,5	1

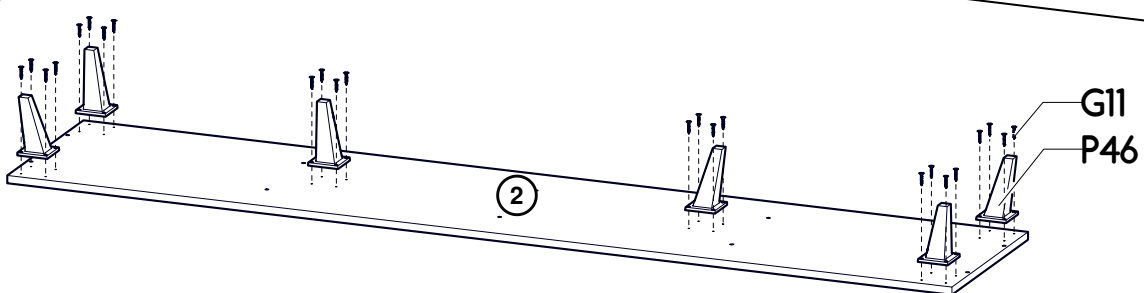


<b>K5</b> 10x 34mm 	<b>K1</b> 10x Ø15x12 	<b>I20</b> 10x Ø4/Ø17 	<b>B1</b> 20x Ø8x35 	<b>A1</b> 10x Ø7x50 	<b>F2</b> 16x Ø5 
<b>W4</b> 64x 	<b>W2</b> 1x 4mm 	<b>P46</b> 6x h120 	<b>G11</b> 24x 4x20 	<b>D3</b> 8x SOFT 	<b>G5</b> 16x 4x13 
<b>C3</b> 8x SOFT 					

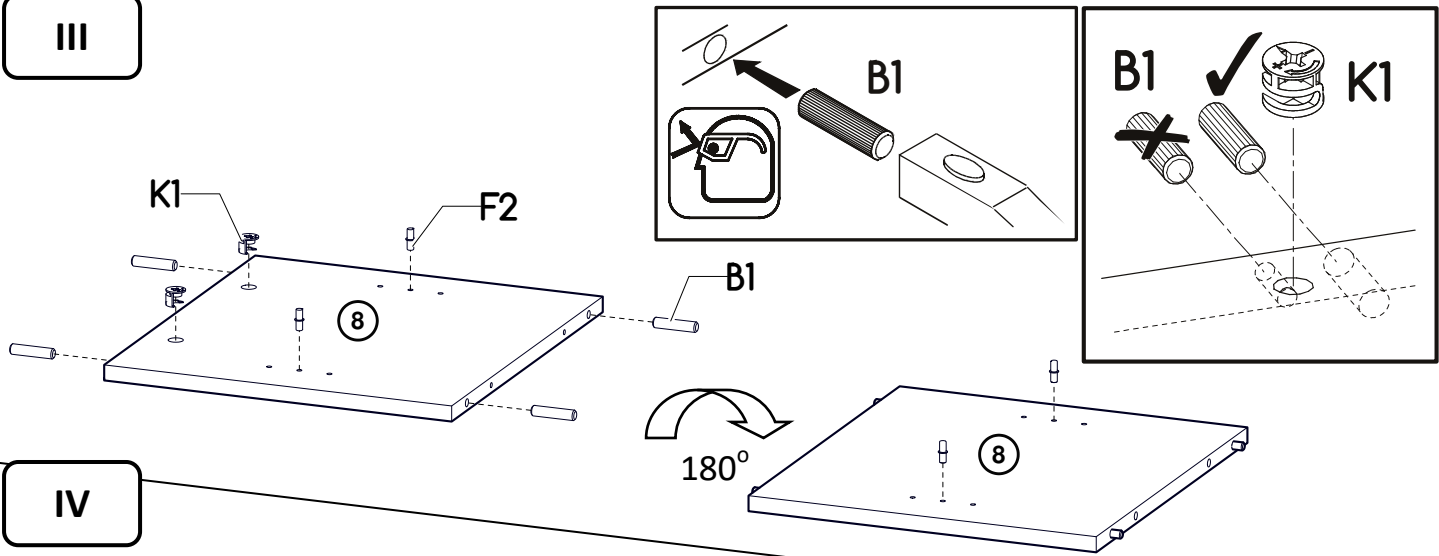
I



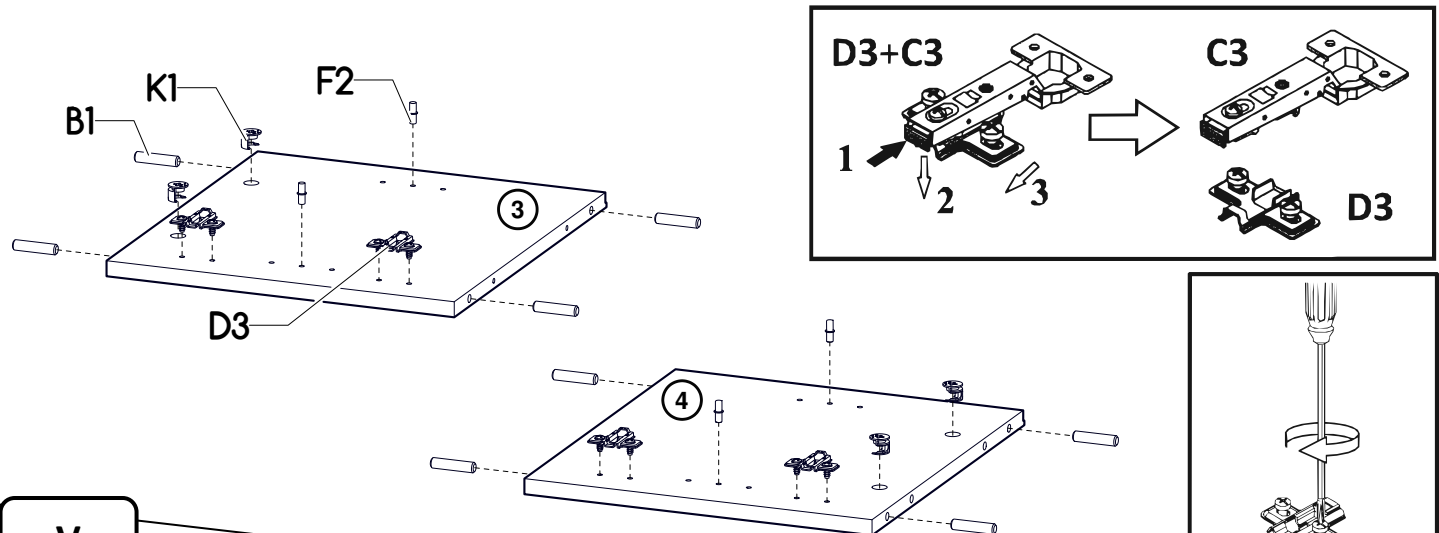
II



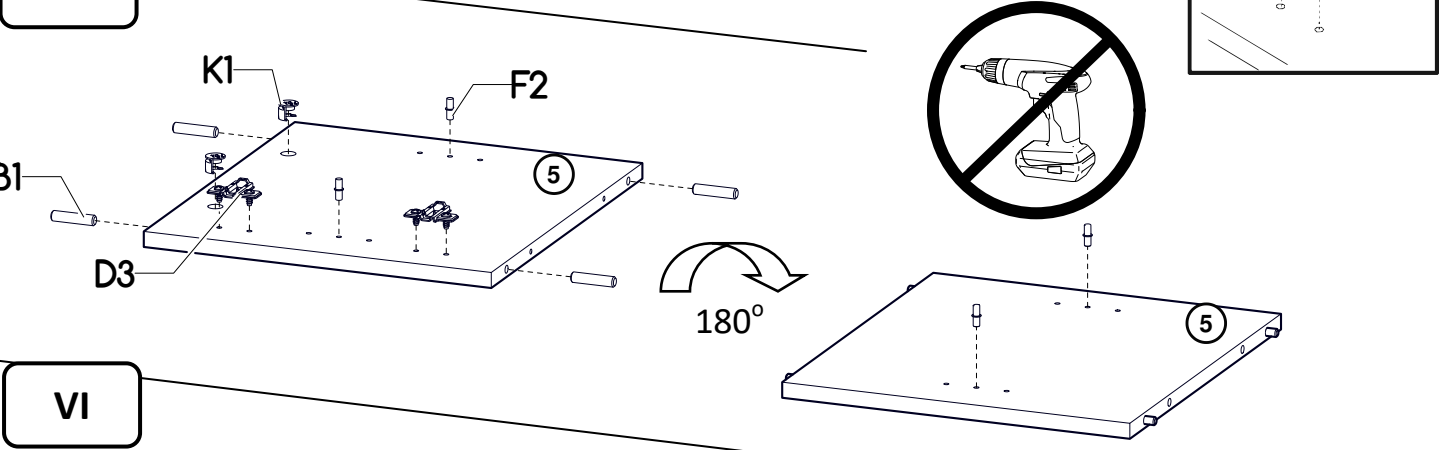
III



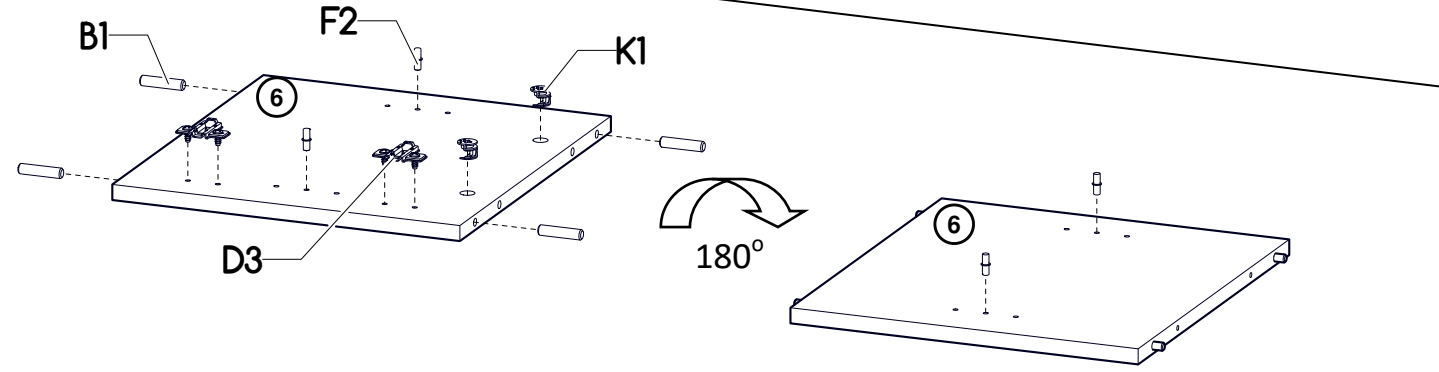
IV



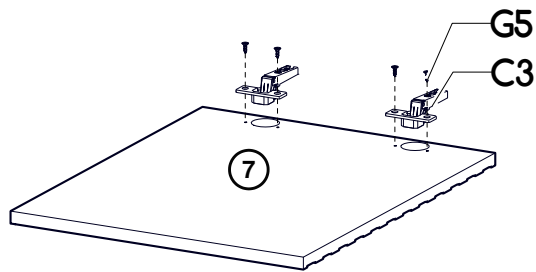
V



VI

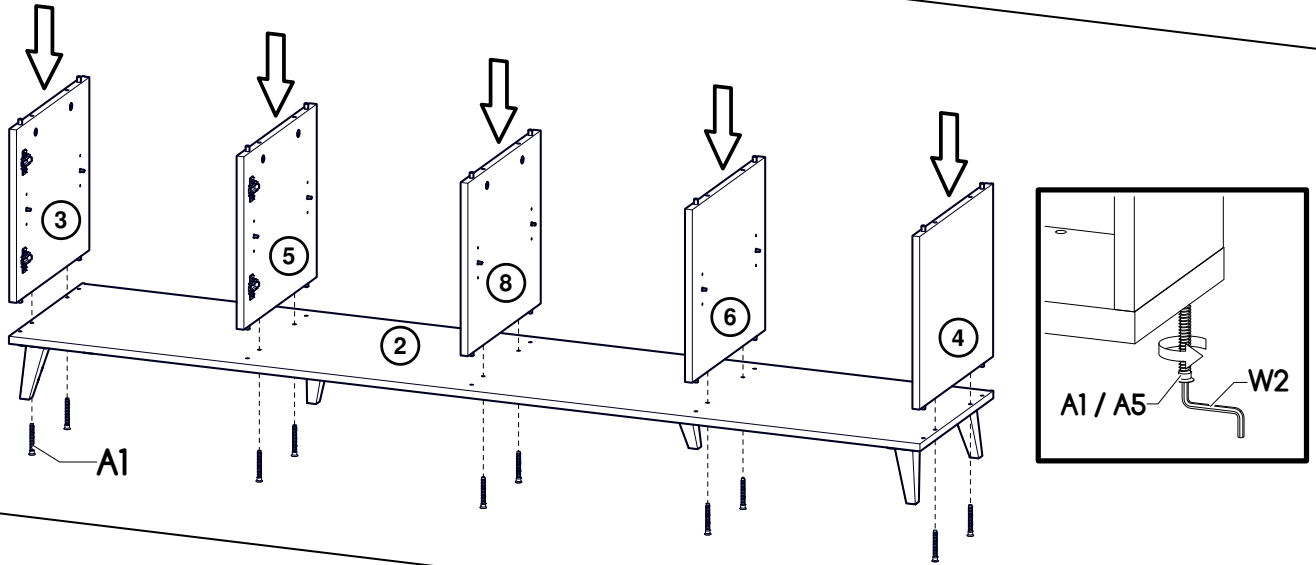


VII

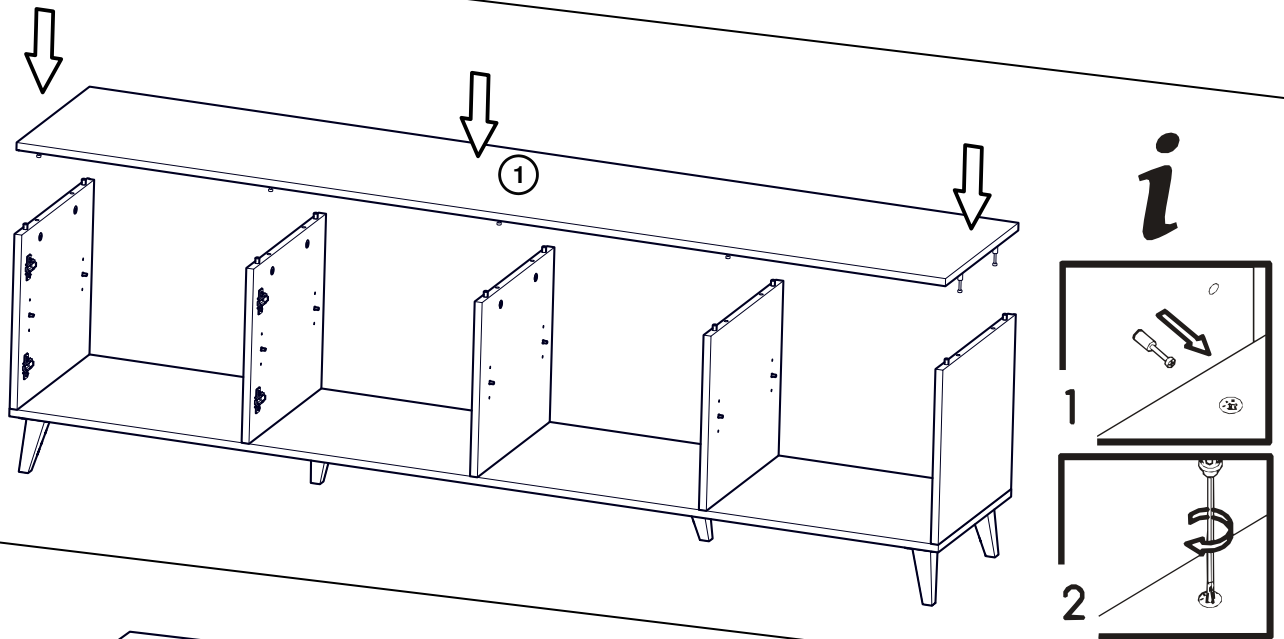


X4

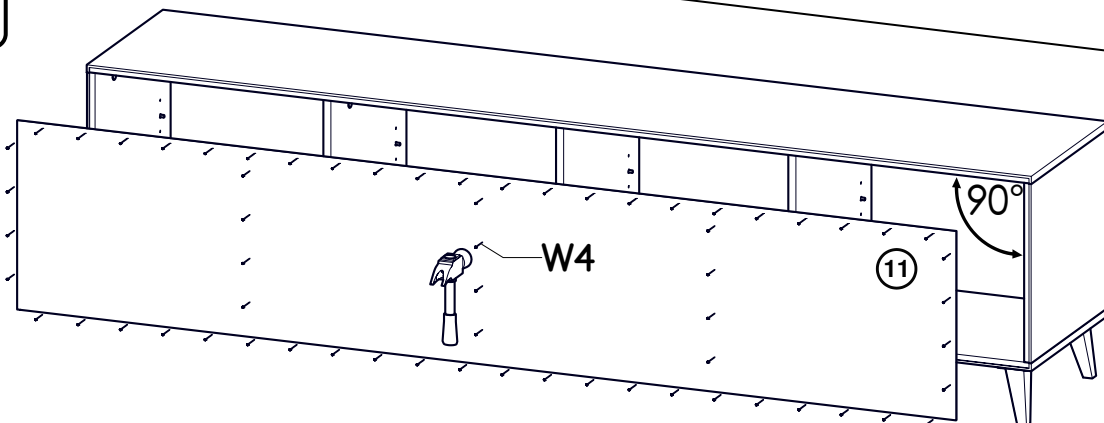
VIII



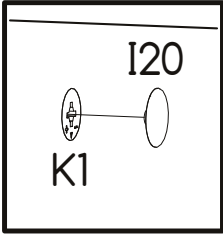
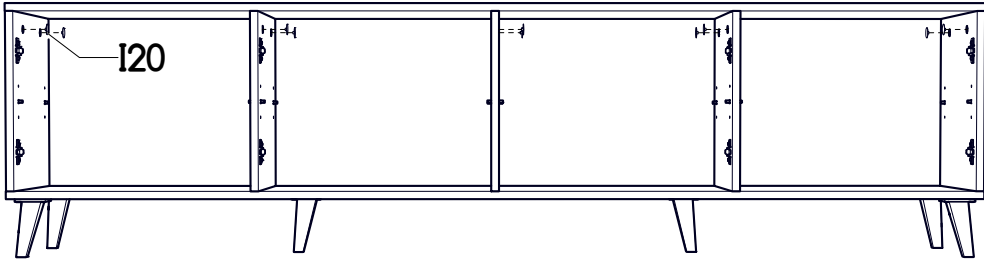
IX



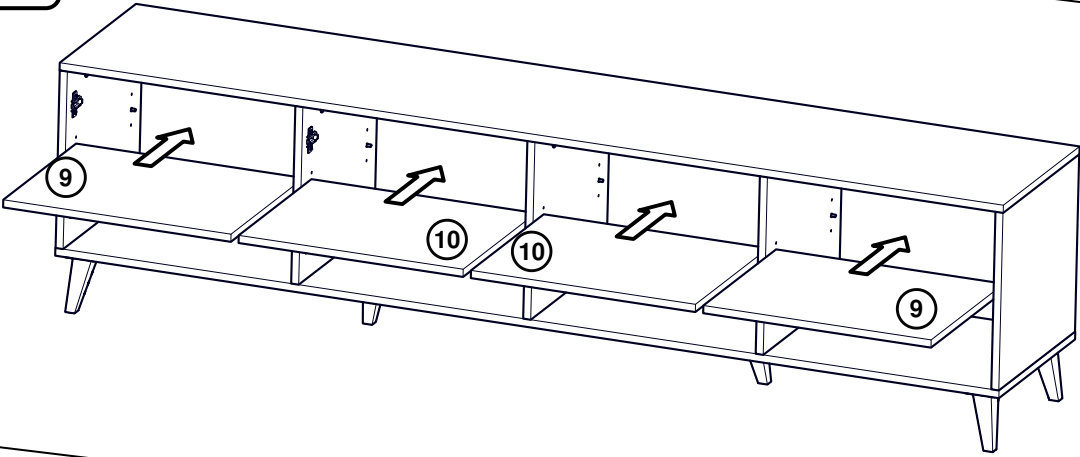
X



XI



XII



XIII

