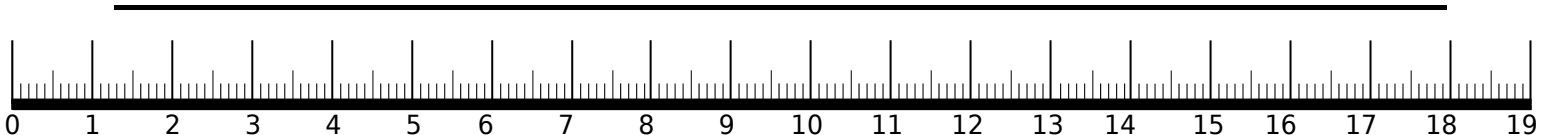
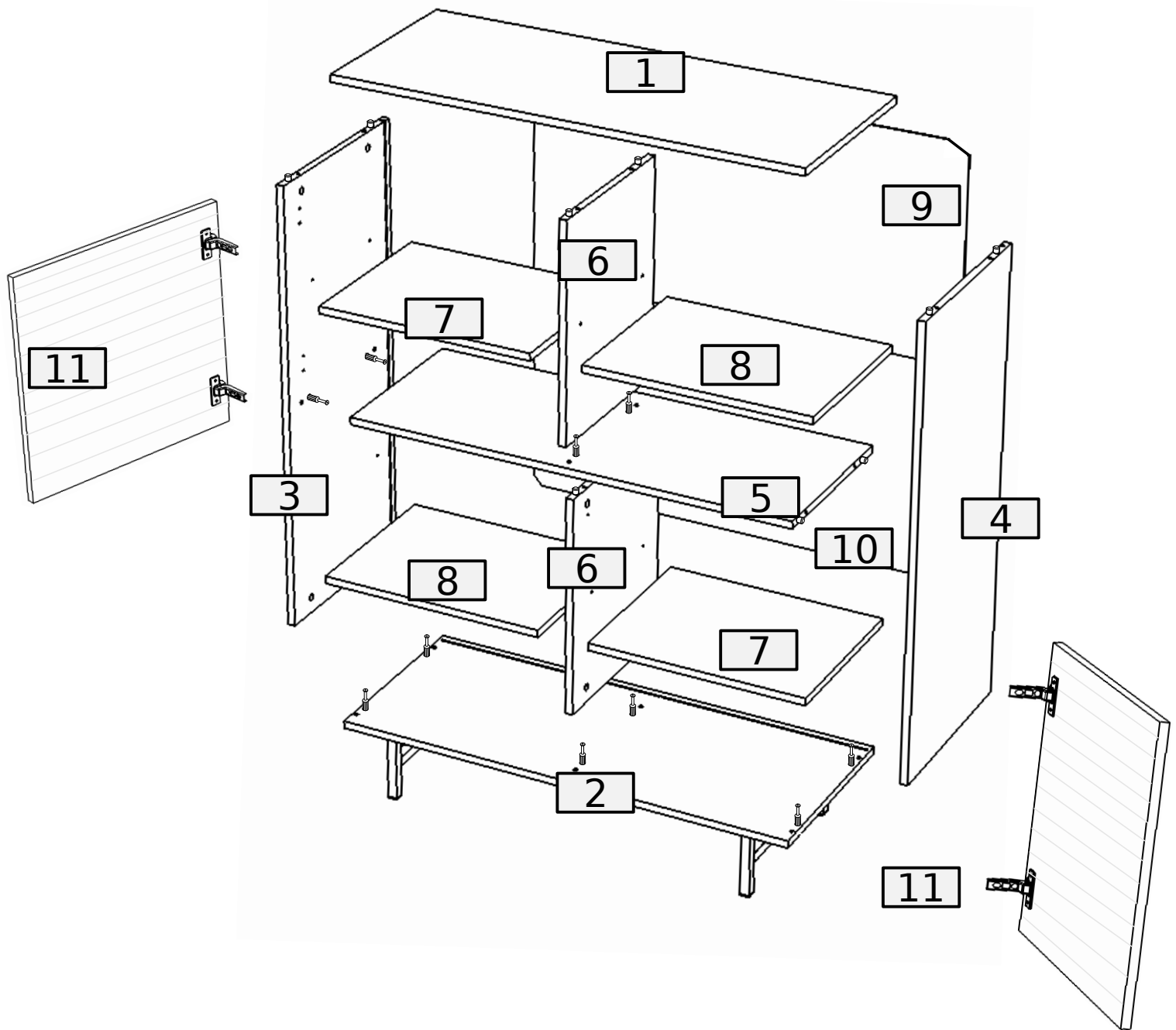
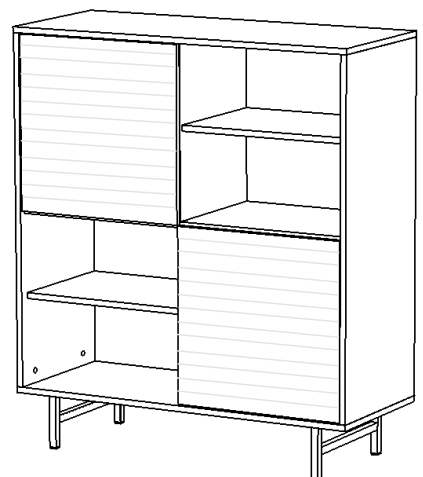


20	20	20	8	4	10	2	4	2	
B	A	8.0x35	D 3.5x16 W2	PZ	I	PTS	NP2	NP1	
X	S3 3.5x16 W4	W4	KS	Z 6.3x13 F	G3 G	G2	WS		
20	16	1	1	4	16	16	6	5	8

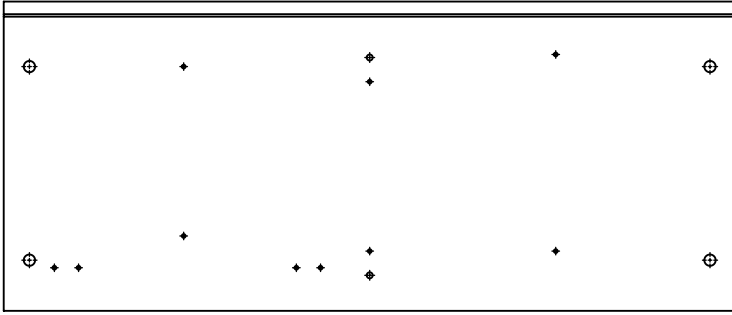




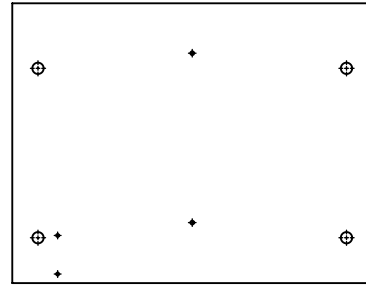
No.	Pcs.	L	W	D	Pac
1	1	1000	410	16	2/2
2	1	1000	410	16	2/2
3	1	968	409	16	1/2
4	1	968	409	16	1/2
5	1	966	370	16	1/2
6	2	476	370	16	1/2
7	2	467	360	16	2/2
8	2	483	360	16	2/2
9	1	491	980	3	2/2
10	1	491	980	3	2/2
11	2	480	480	16	2/2



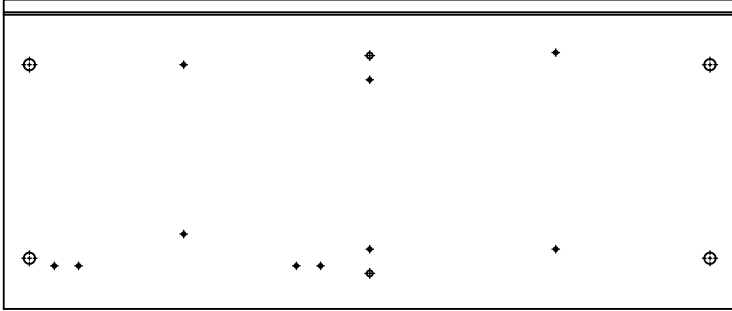
BOX 1/2



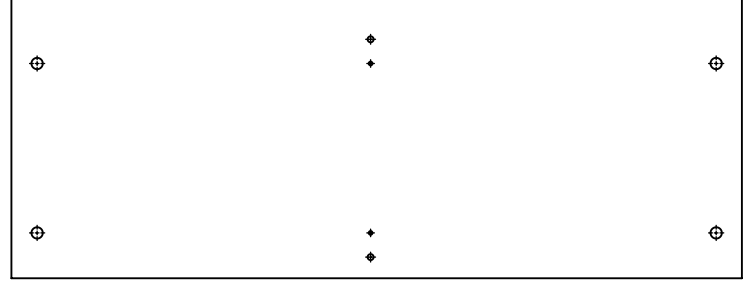
3. 968x409x16 mm



6. 476x370x16 mm x2

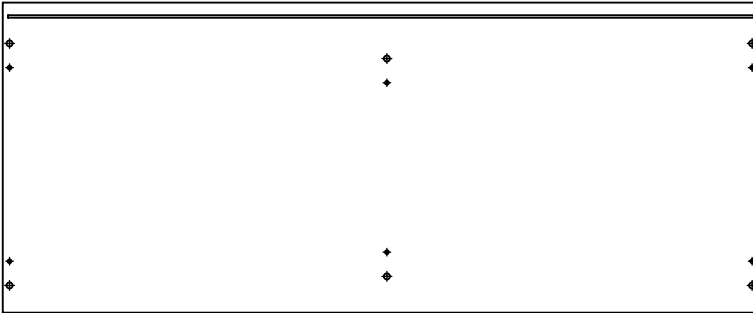


4. 968x409x16 mm

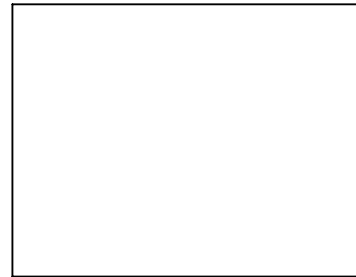


5. 966x370x16 mm

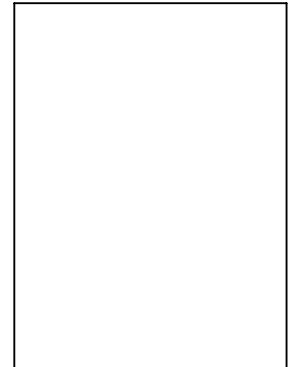
BOX 2/2



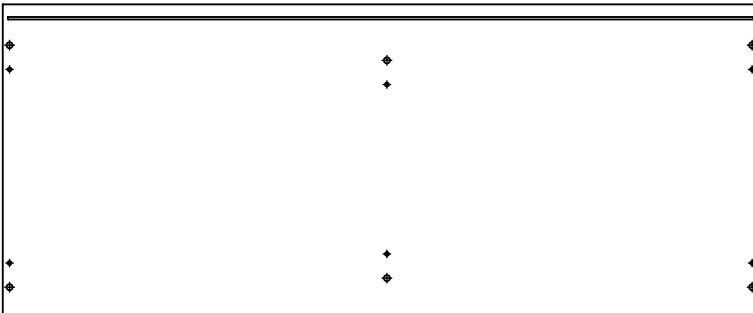
1. 1000x410x16 mm



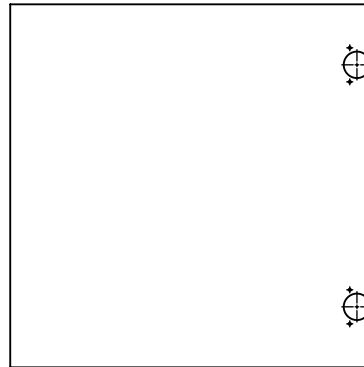
7. 467x360x16 mm x2



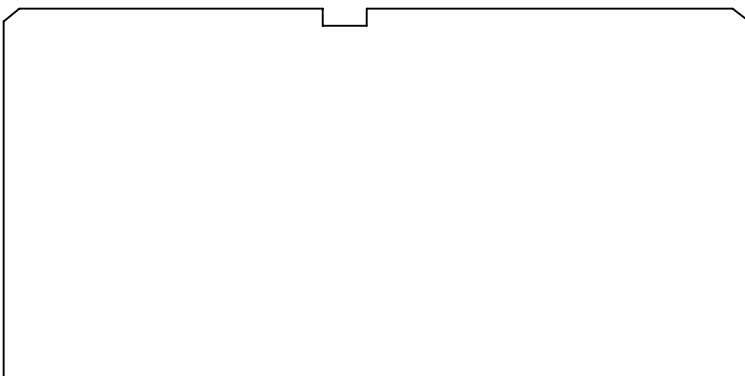
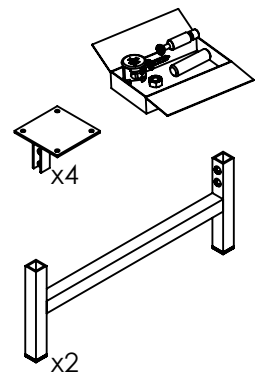
8. 483x360x16 mm x2



2. 1000x410x16 mm



11. 480x480x16 mm x2

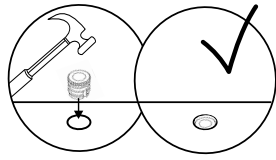



9. 980x491x3 mm

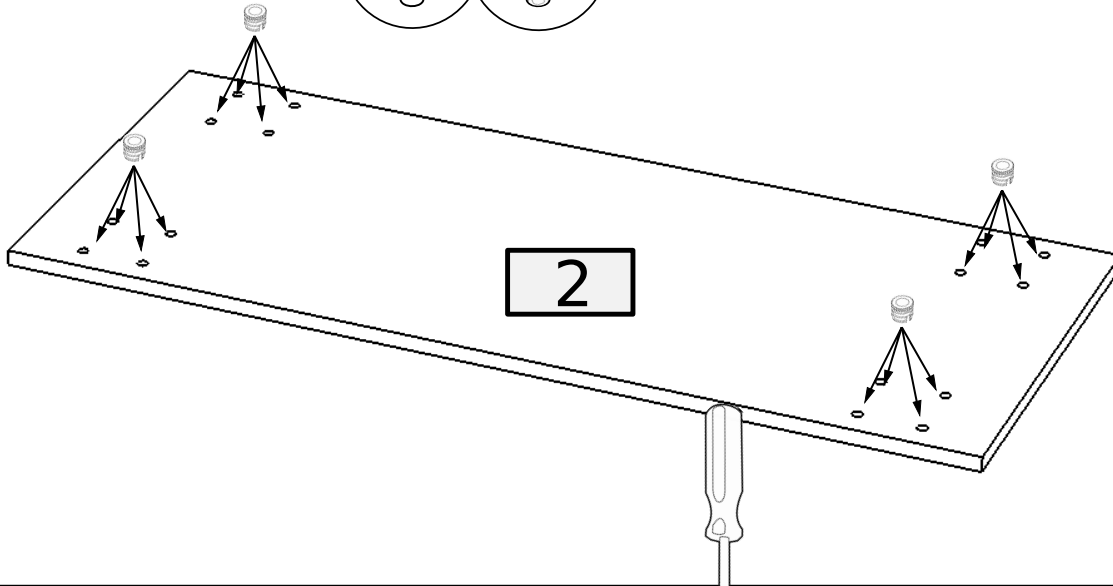


10. 980x491x3 mm

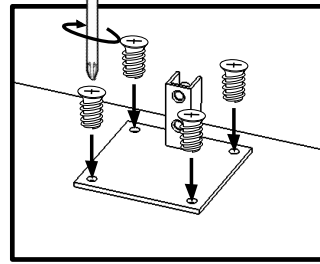
1

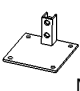



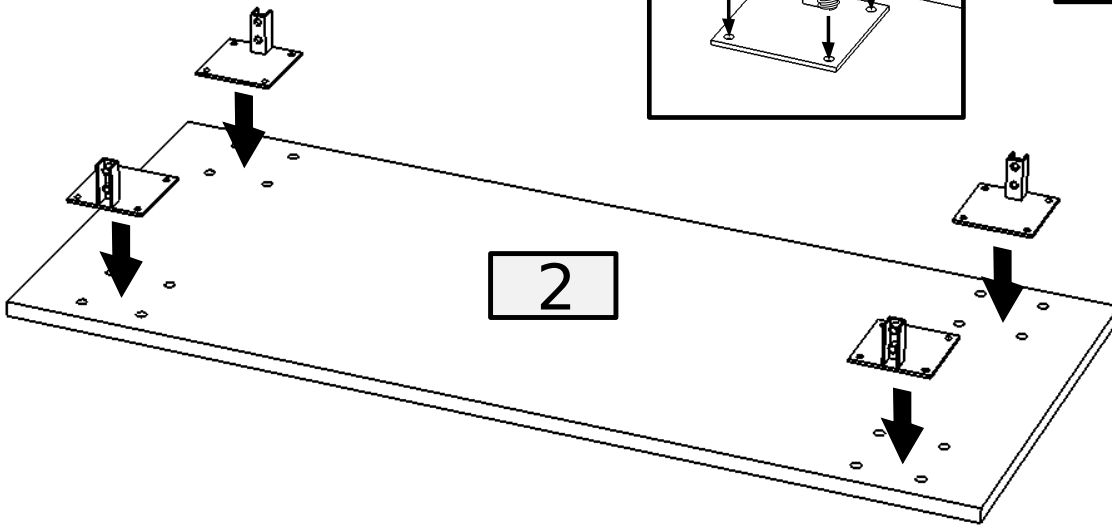
16

G3



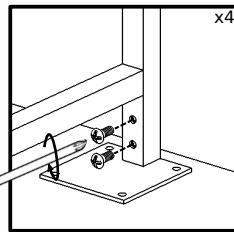
2


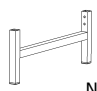


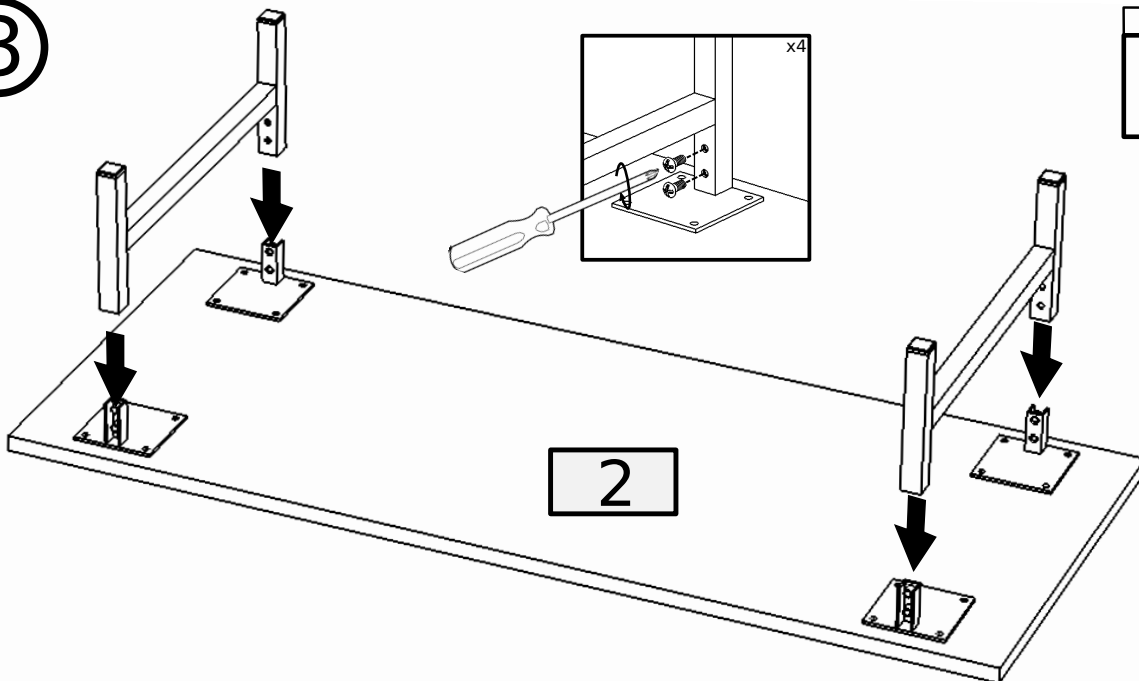
4	16
	
NP2	6.3x13 F



3

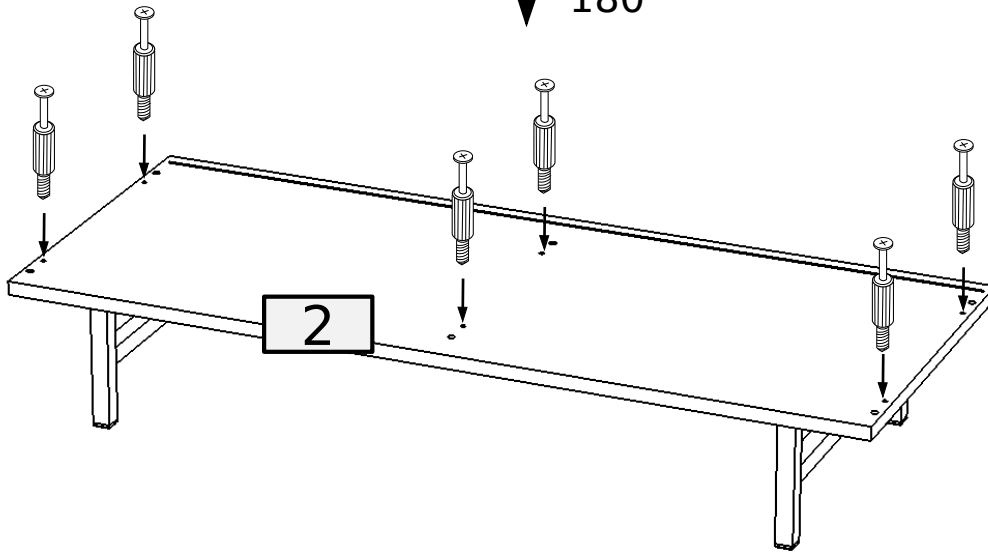
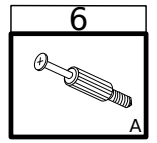


8	2
	
WS	NP1

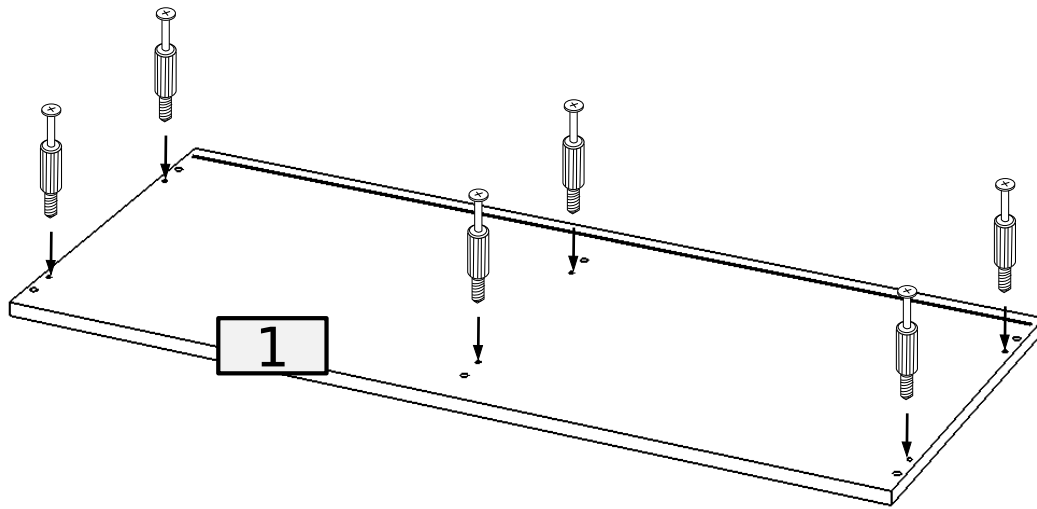
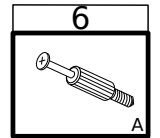


4

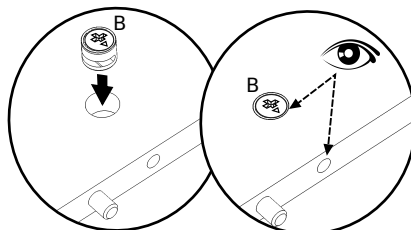
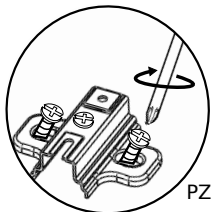
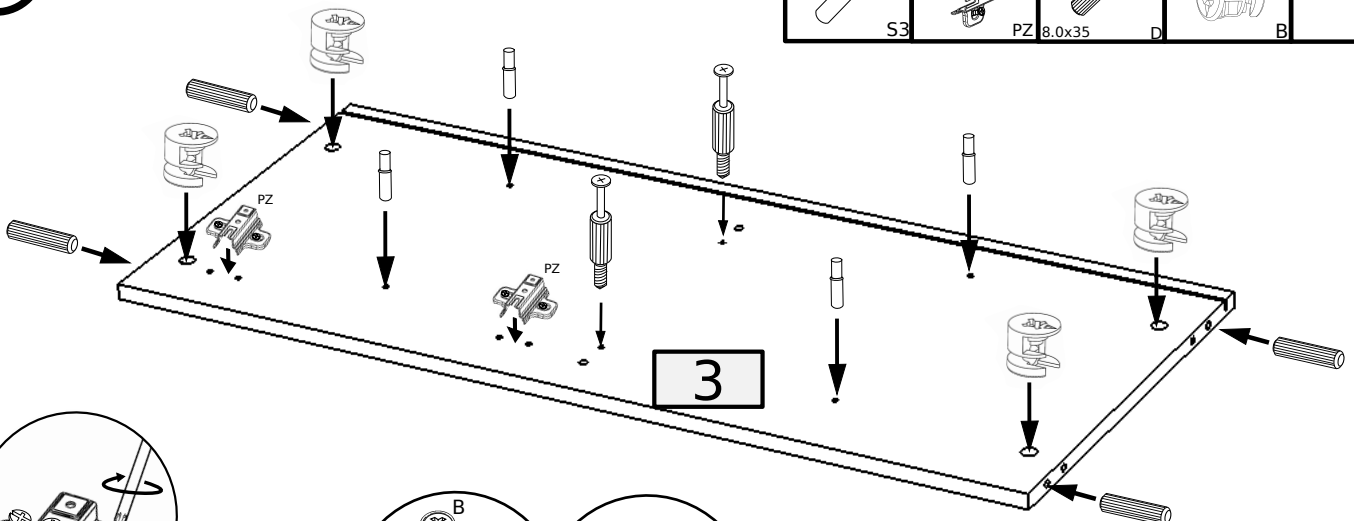
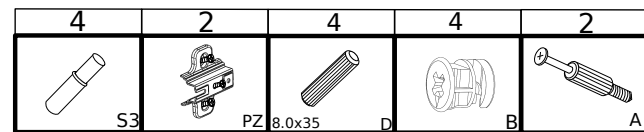
180°



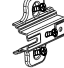
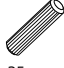


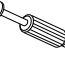
5

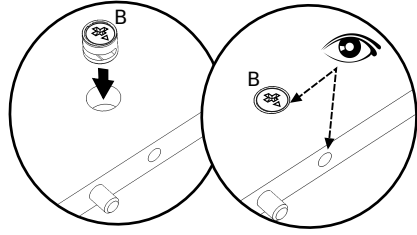
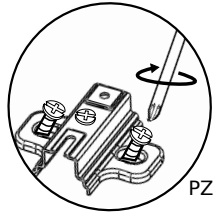
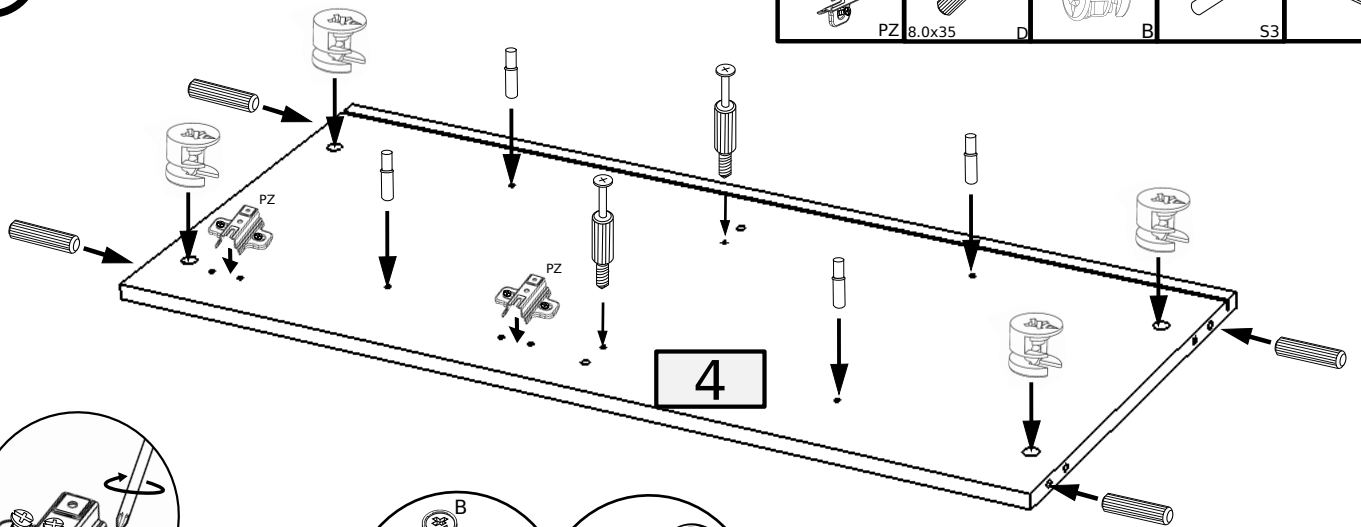


6



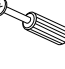


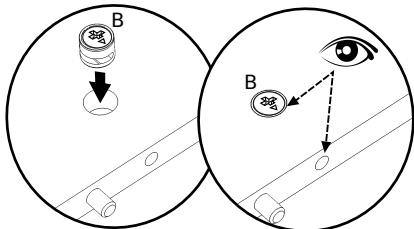
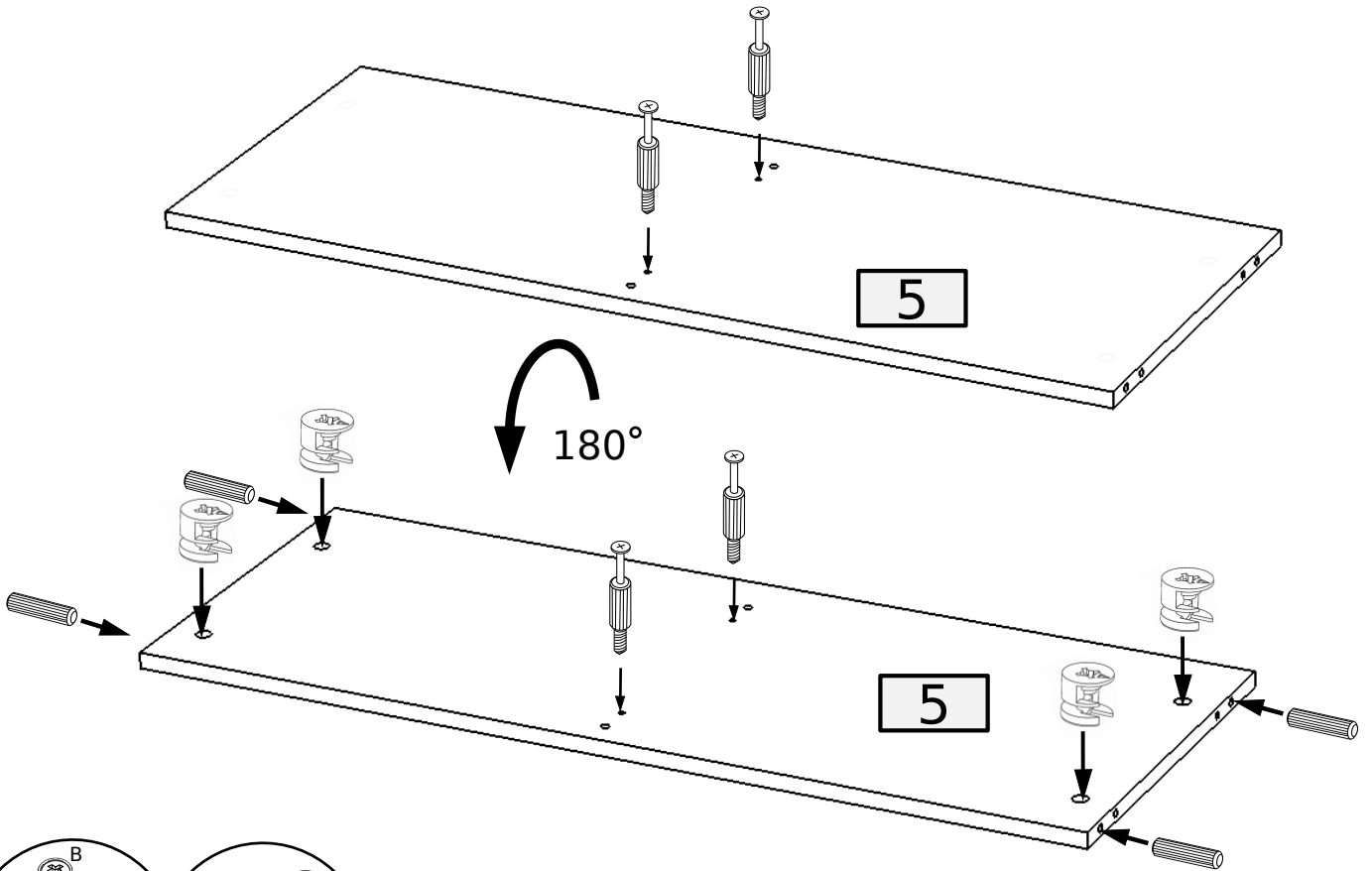
7

2	4	4	4	2
				
PZ	8.0x35	D	B	S3
				A


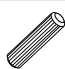




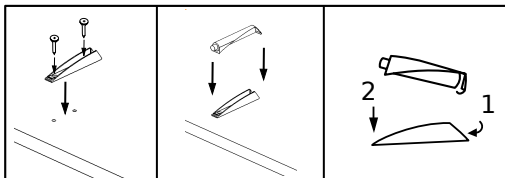
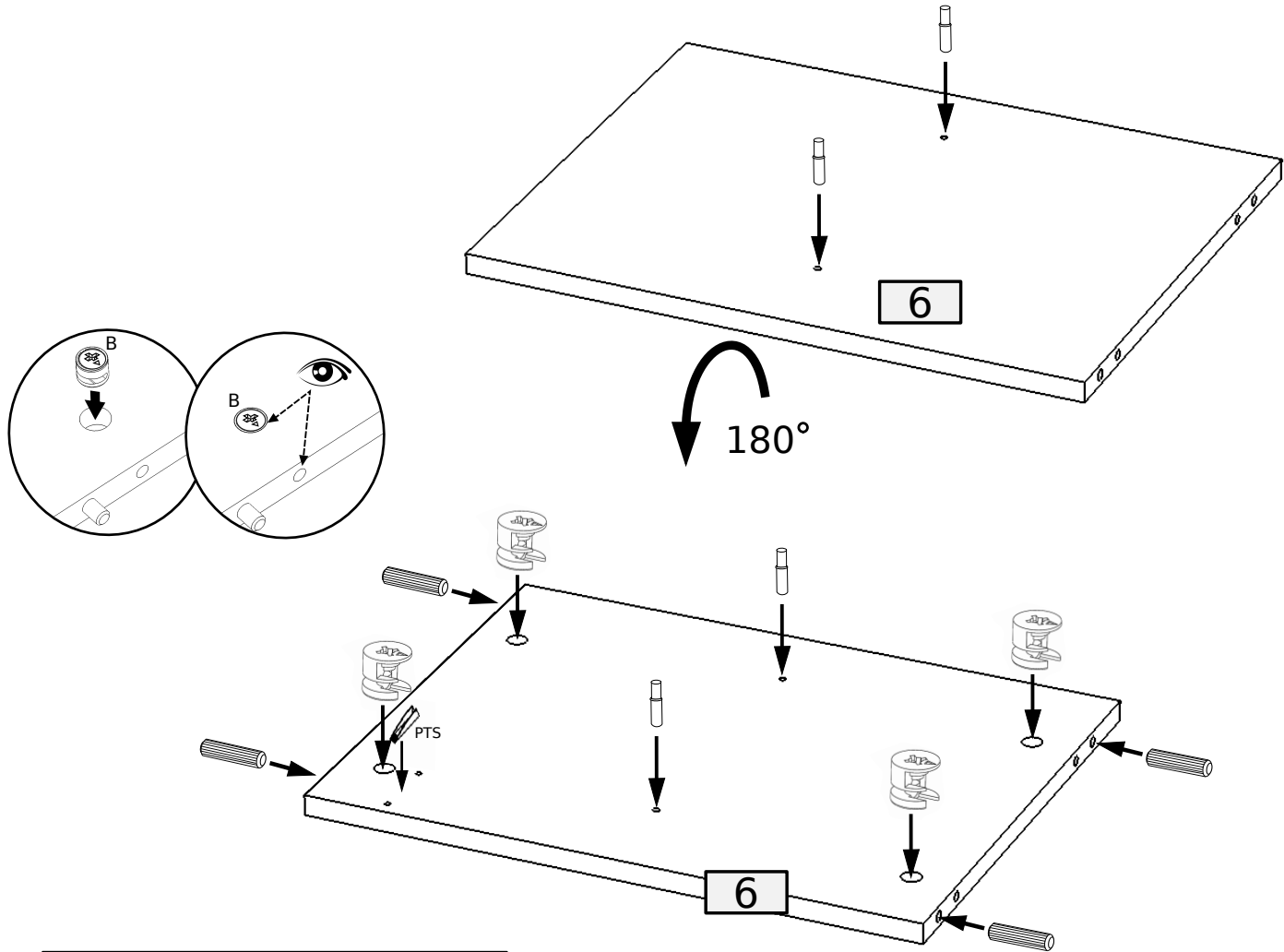
8

4	4	4
		
8.0x35	D	B
		A

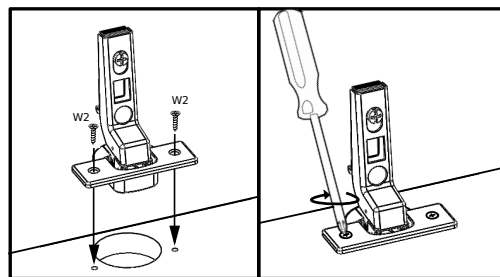




⑨ x2

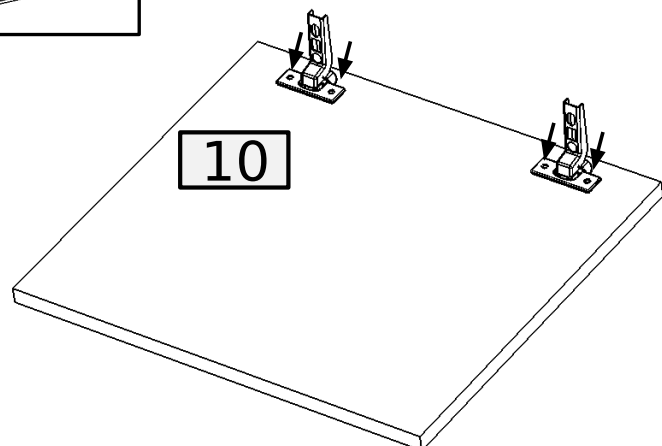
4	4	4	1
			
S3	8.0x35	D	B
			PTS



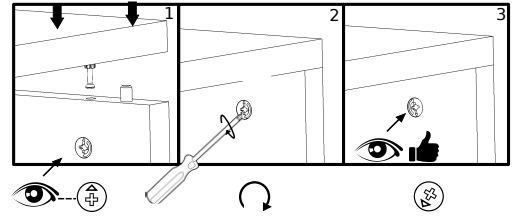
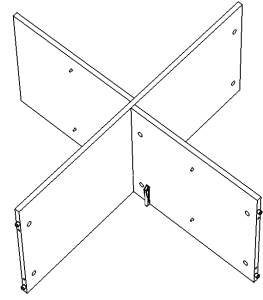
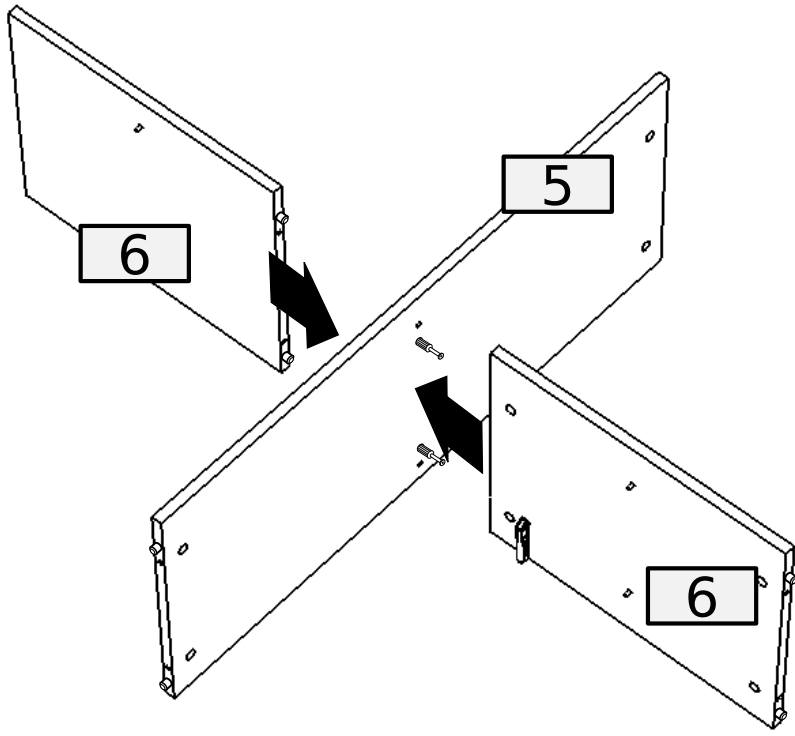
⑩ x2



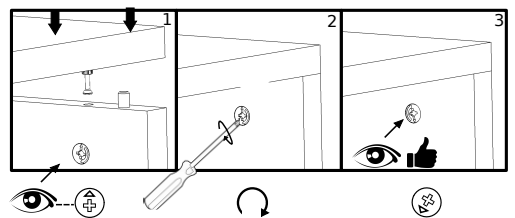
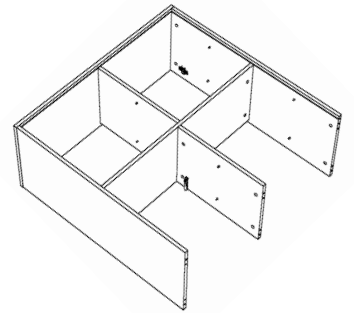
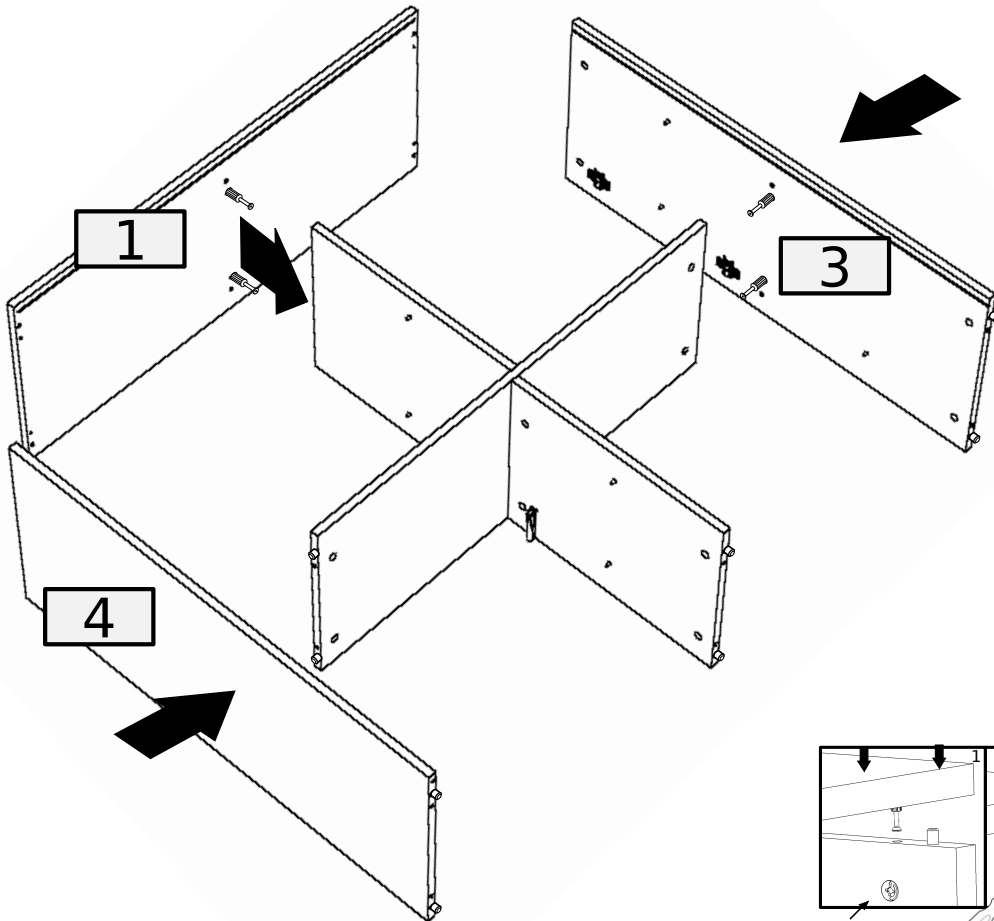
	
3.5x16	W2
4	2



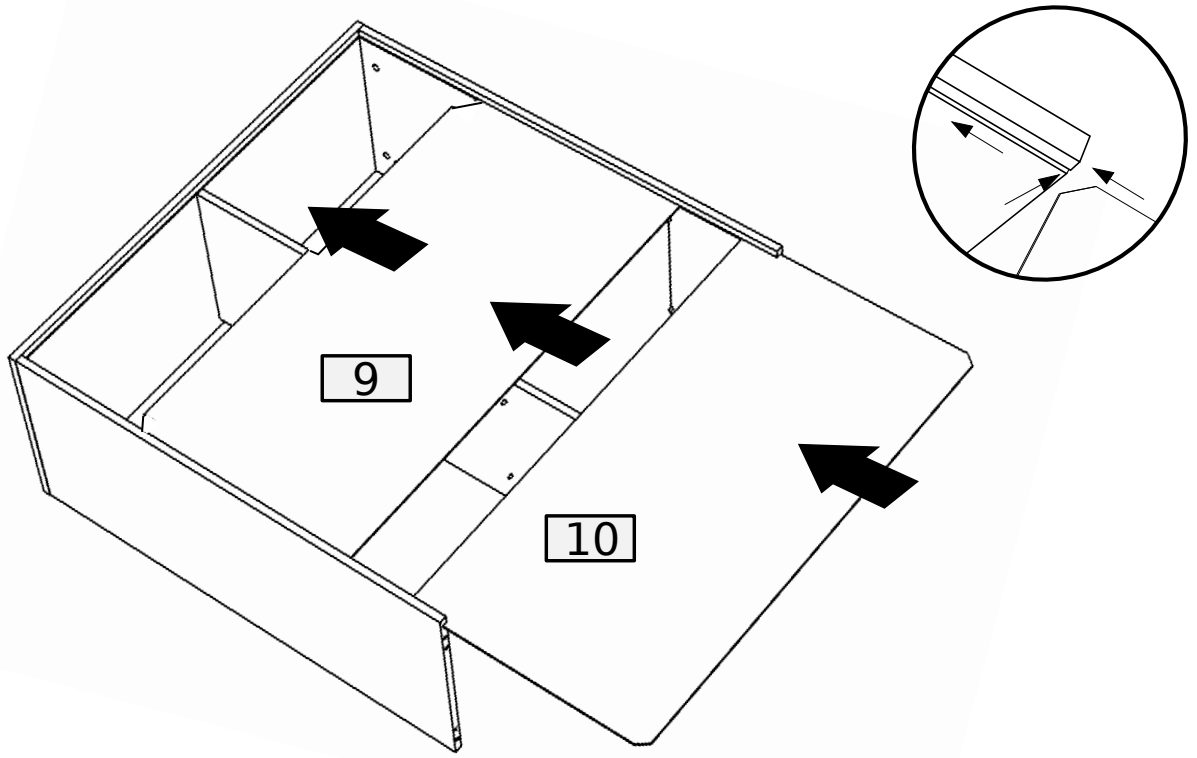
11



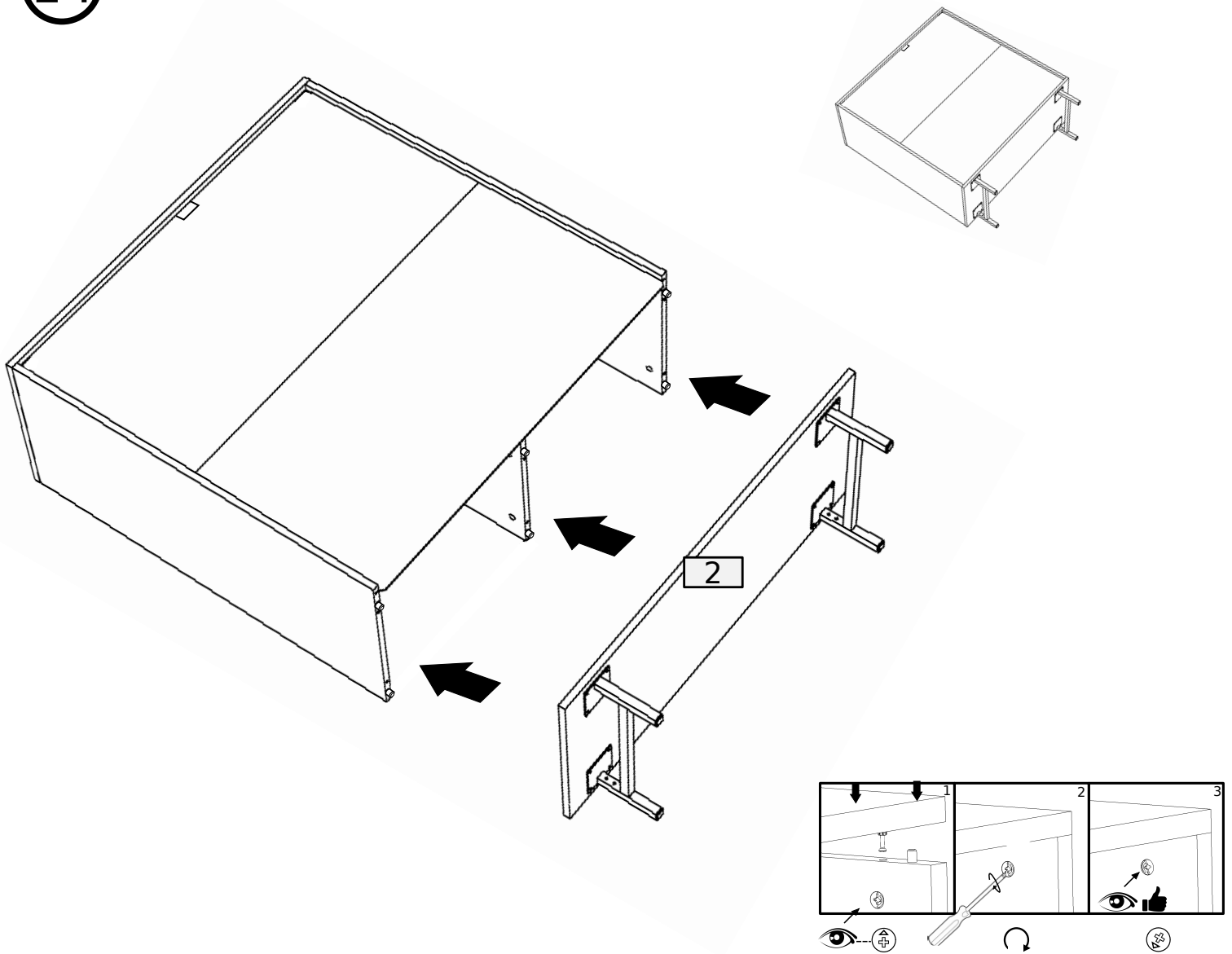
12



13

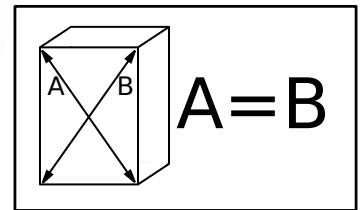
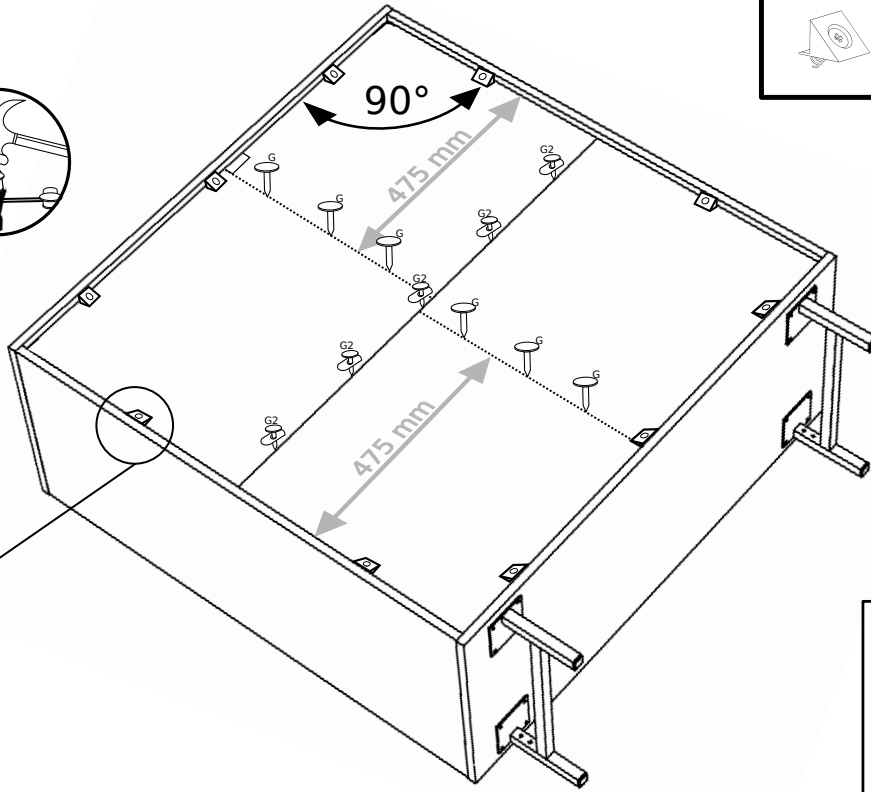
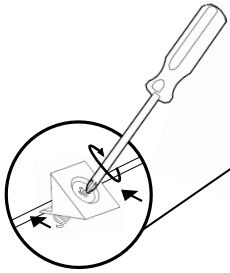
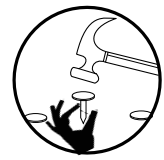


14

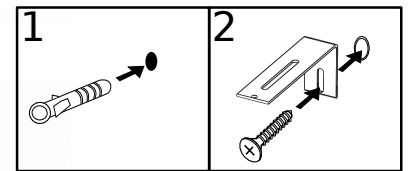
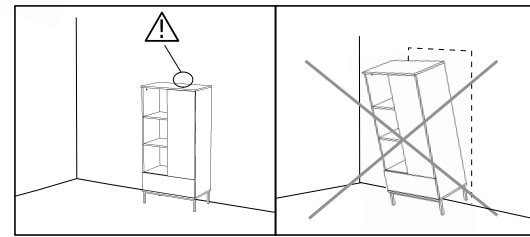
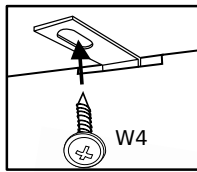


15

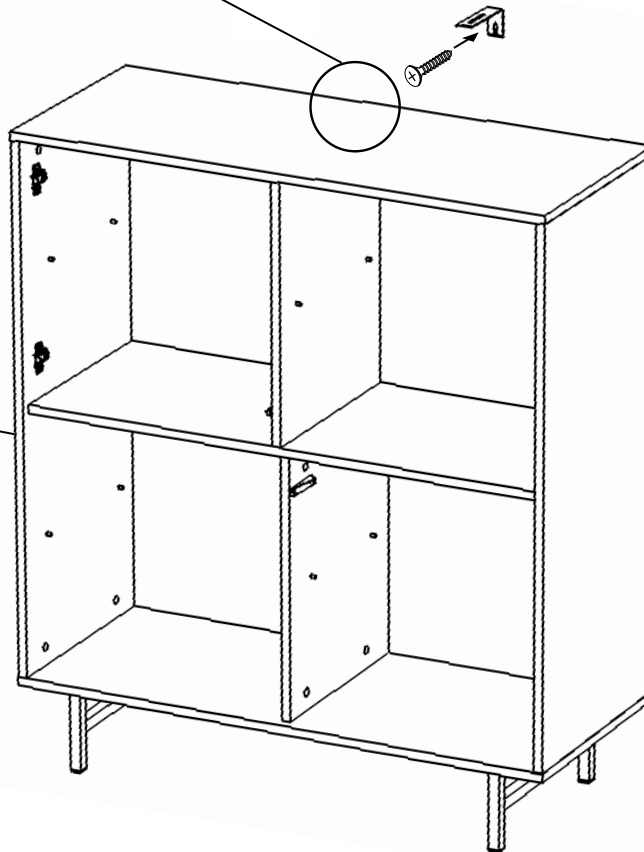
10	5	6
	G2	G



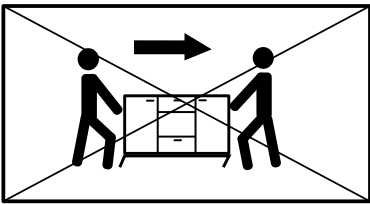
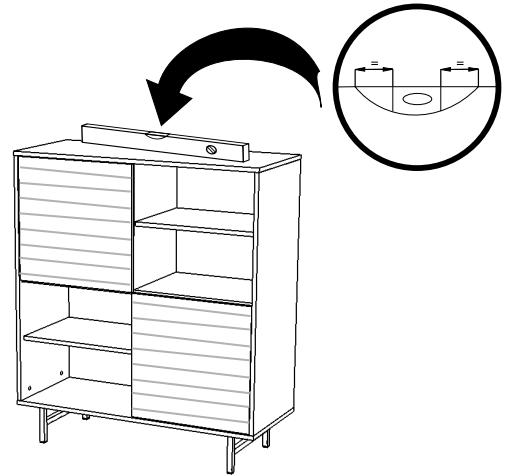
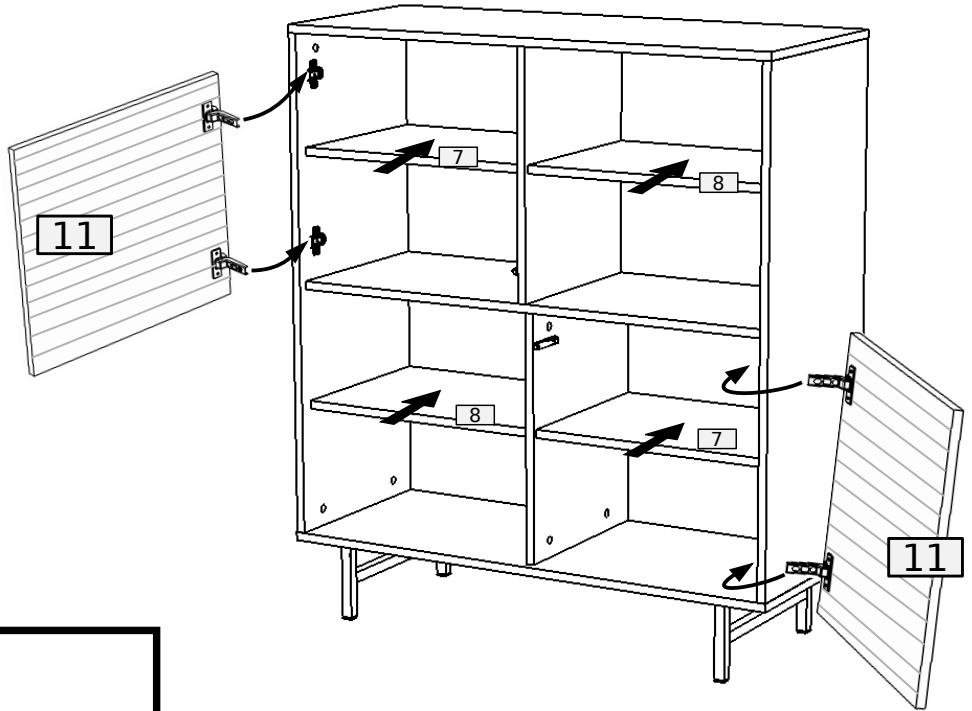
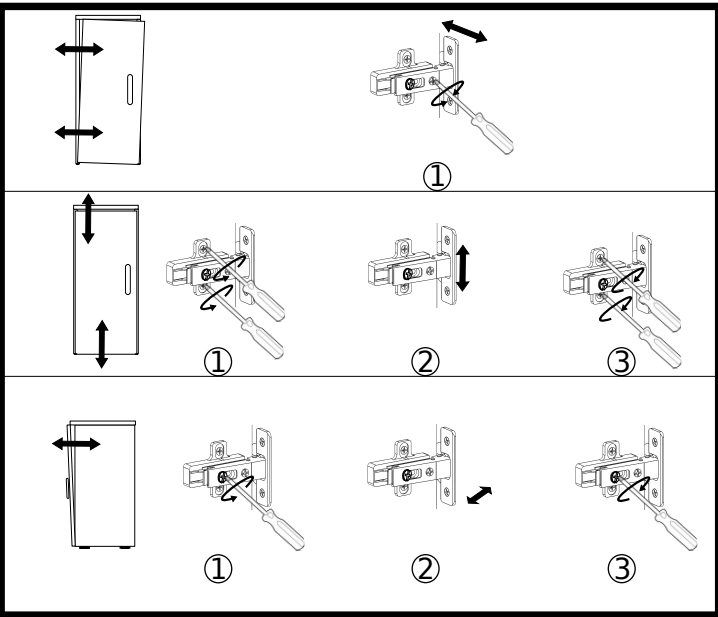
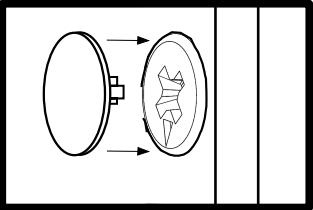
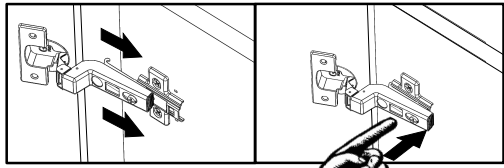
16



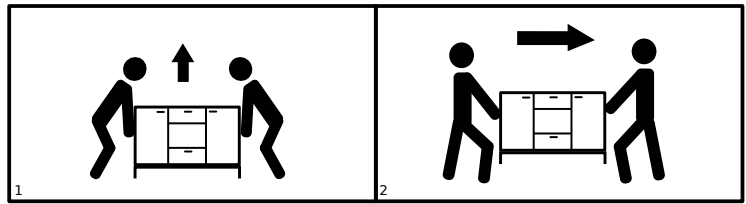
1	1
3.5x16	W4 KS



17



X



✓

