
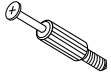




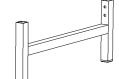

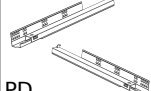




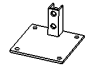
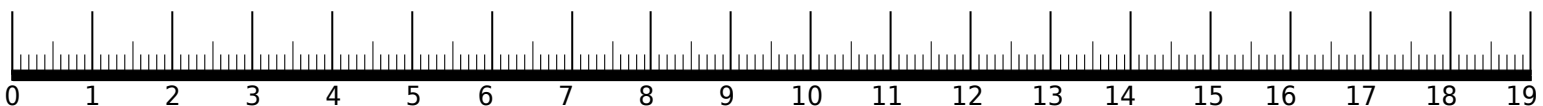
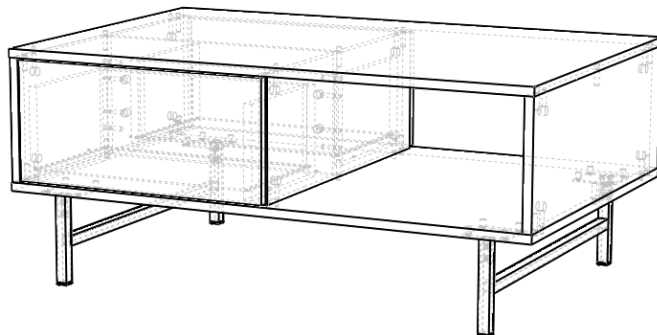
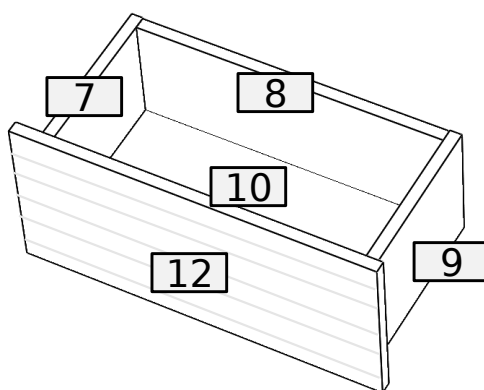
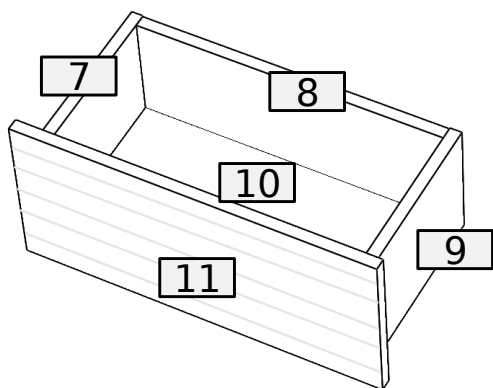
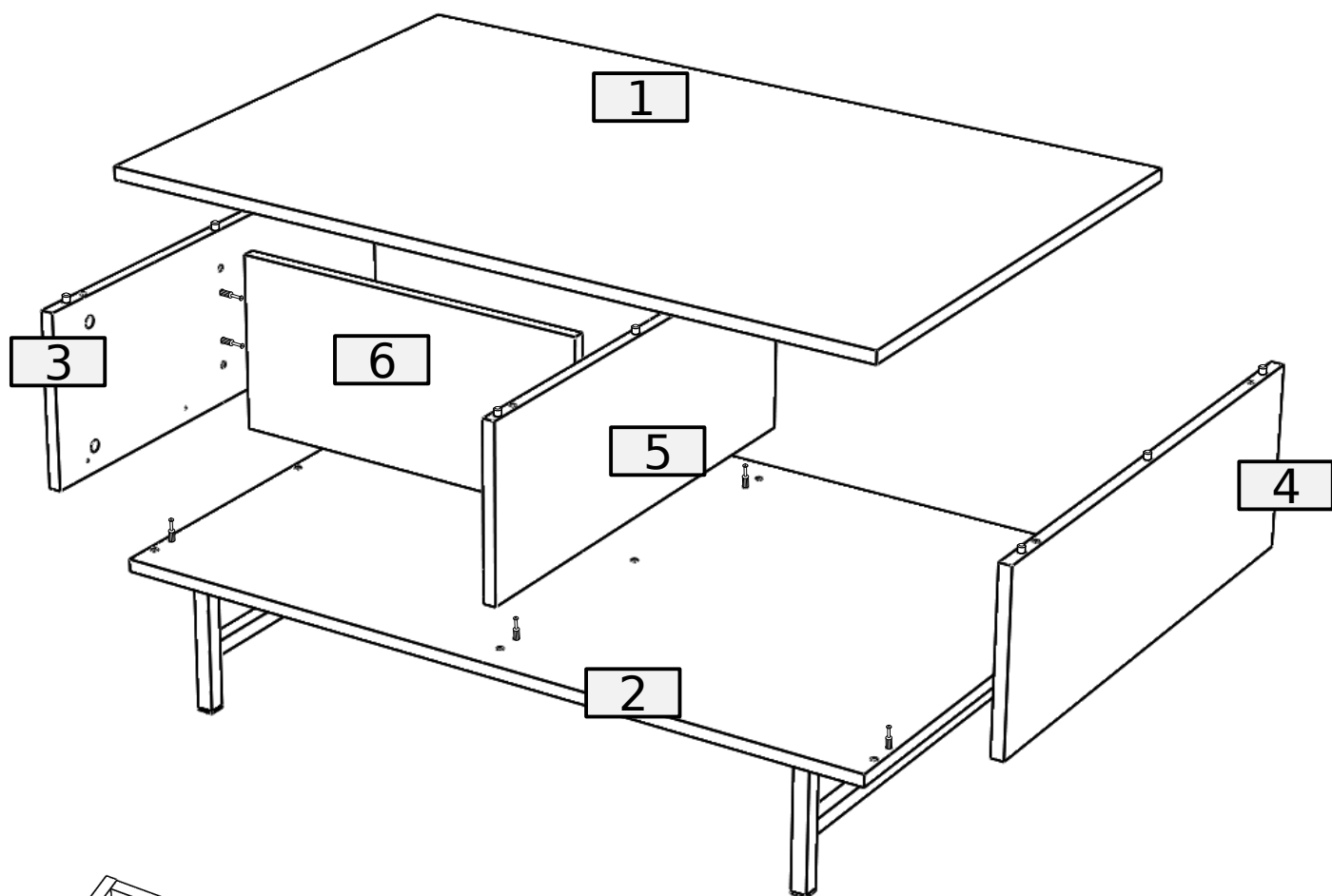
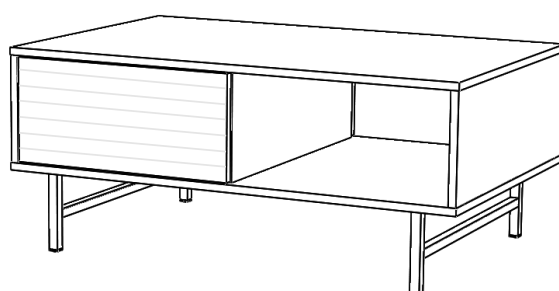


20	20	38	16	4	1	2
						
B	A 8.0x35	D	G3	O	U1 610	NP3
						
X	PD	F 6.0x10.5	W1 3.0x20	W11 4.0x35	WS	NP2
12	2	24	6	8	8	4

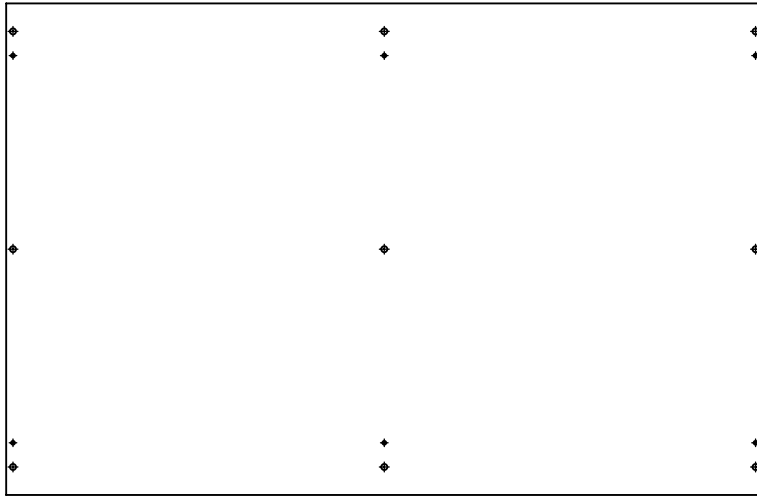




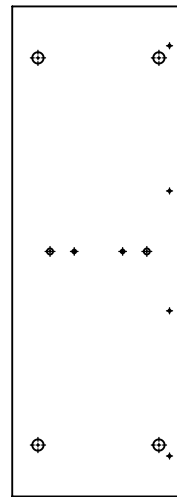
No.	Pcs.	L	W	D	Pac
1	1	1000	650	16	1/1
2	1	1000	650	16	1/1
3	1	648	228	16	1/1
4	1	648	228	16	1/1
5	1	610	228	16	1/1
6	1	475	228	16	1/1
7	2	250	160	16	1/1
8	2	466	142	16	1/1
9	2	250	160	16	1/1
10	2	257	449	3	1/1
11	1	487	222	16	1/1
12	1	487	222	16	1/1



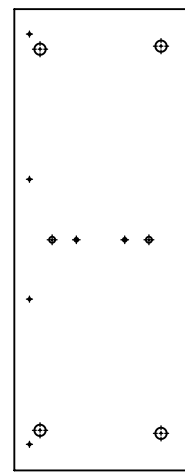
BOX 1/1



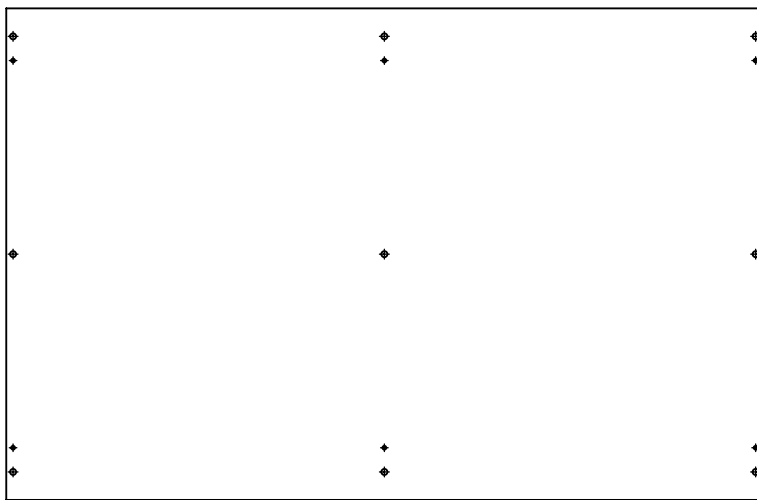
1. 1000x650x16 mm



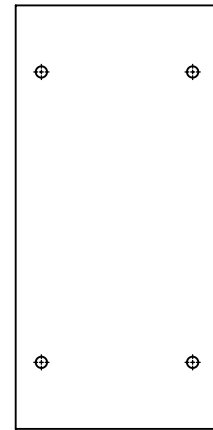
3. 648x228x16 mm



5. 610x228x16 mm



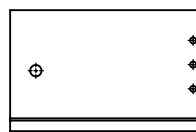
2. 1000x650x16 mm



4. 648x228x16 mm



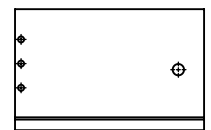
6. 475x228x16 mm



7. 250x160x16 mm x2



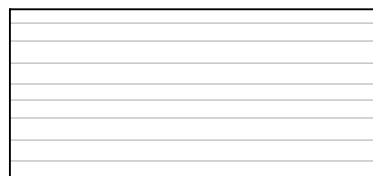
8. 466x142x16 mm x2



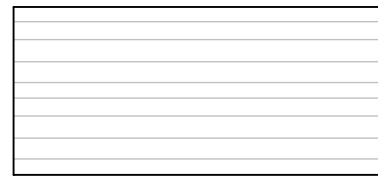
9. 250x160x16 mm x2



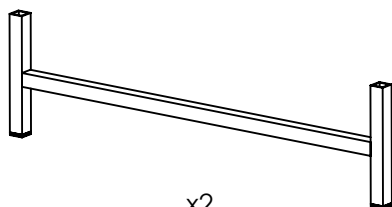
10. 257x449x3 mm x2



11. 487x222x16 mm



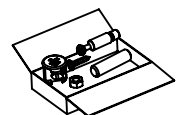
12. 487x222x16 mm



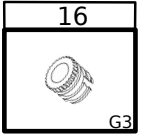
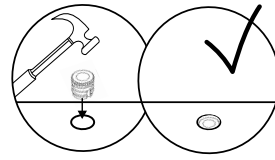
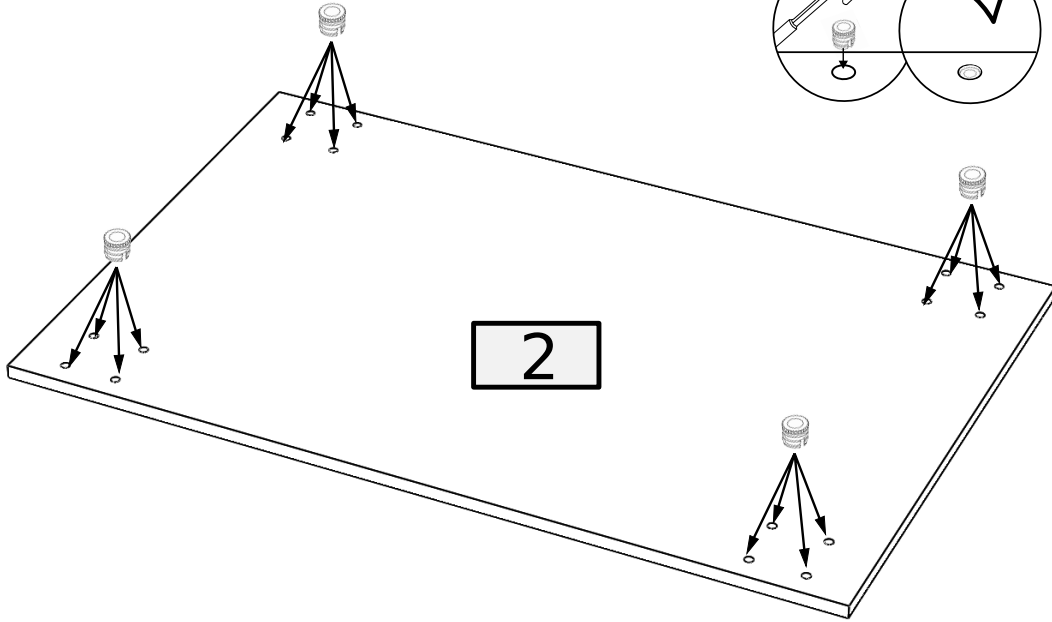
x2



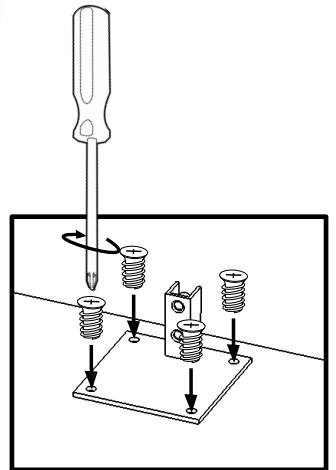
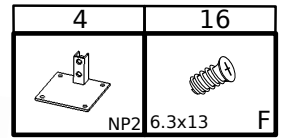
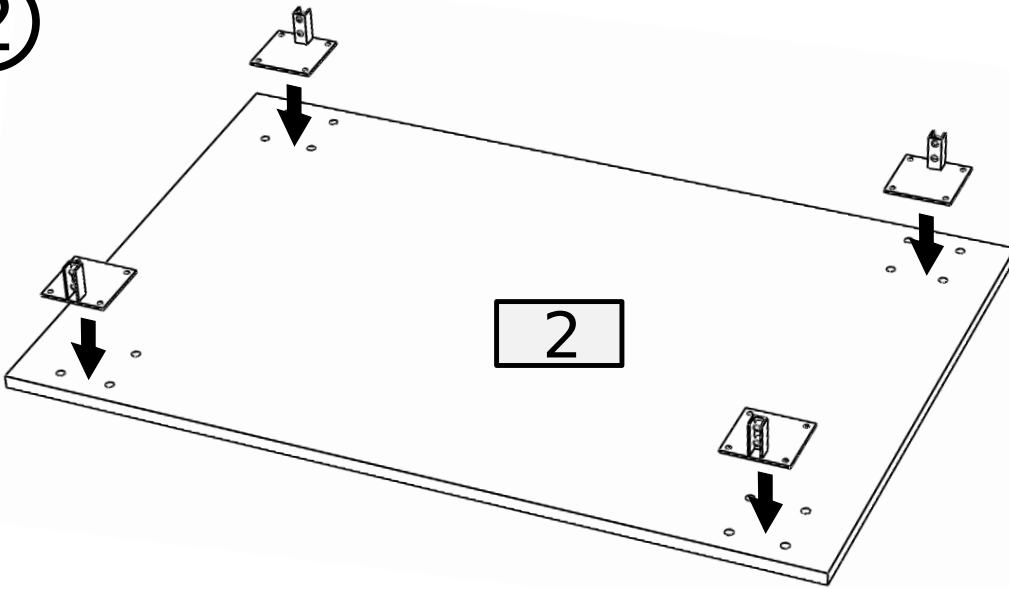
x4



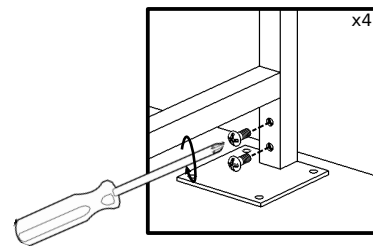
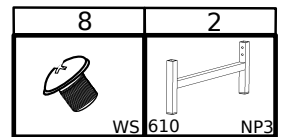
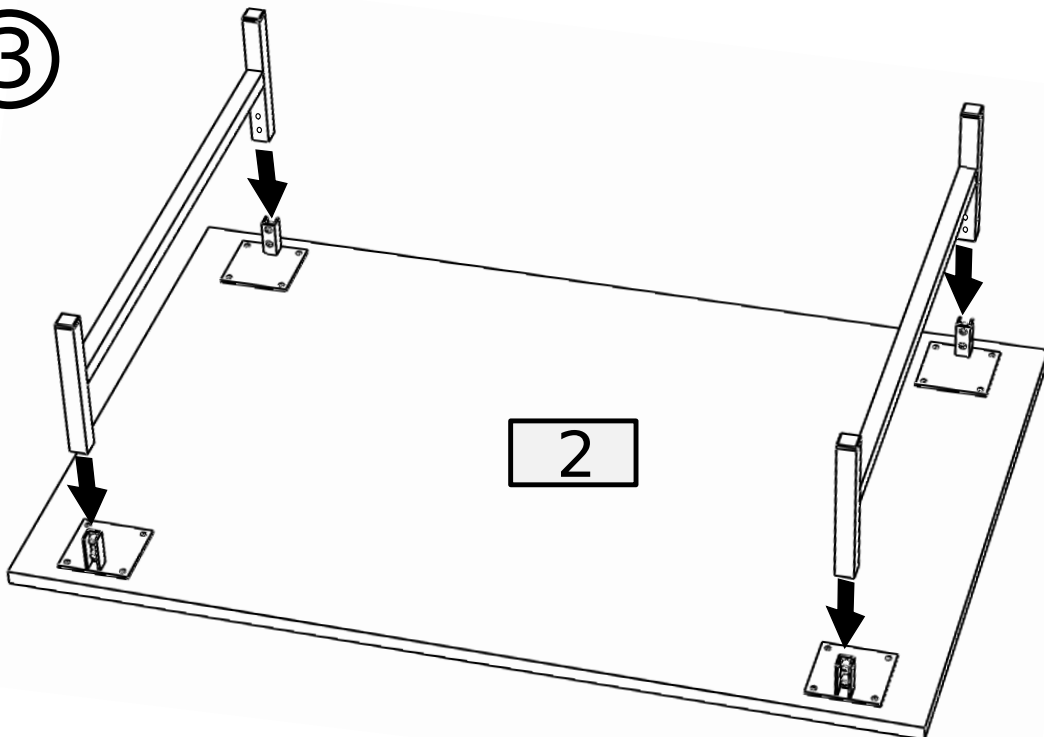
1



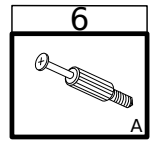
2



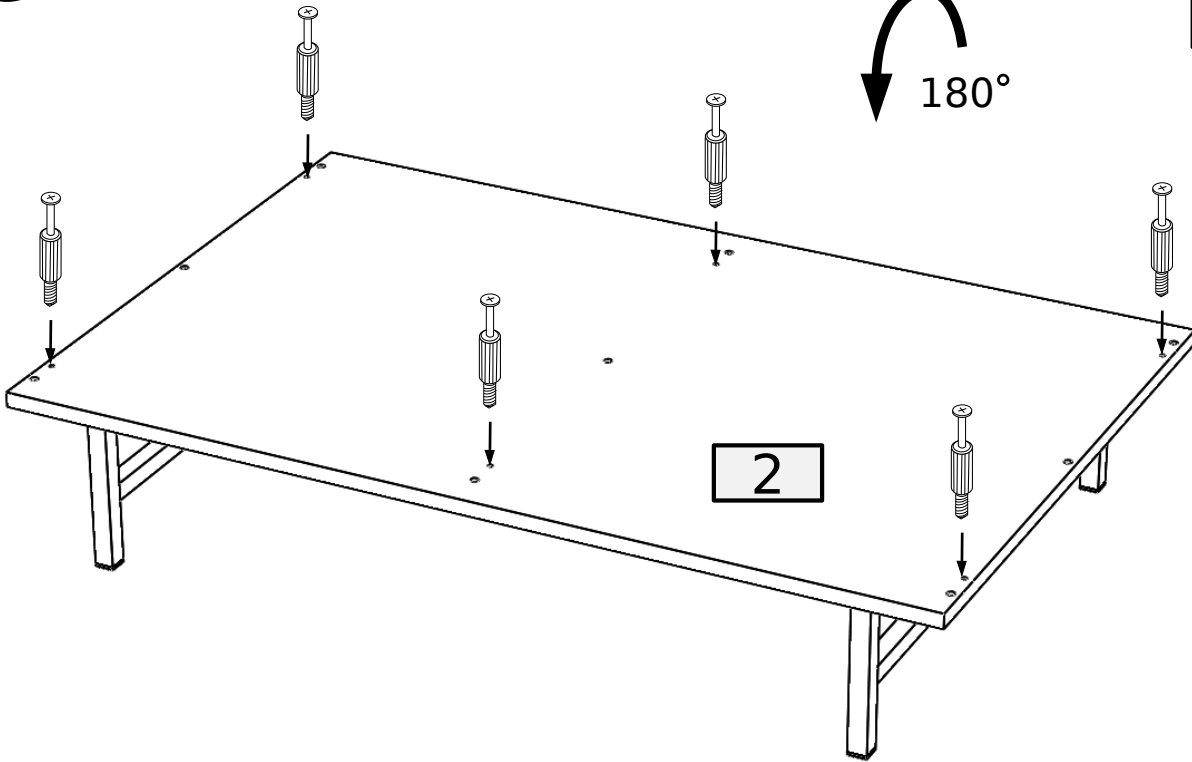
3



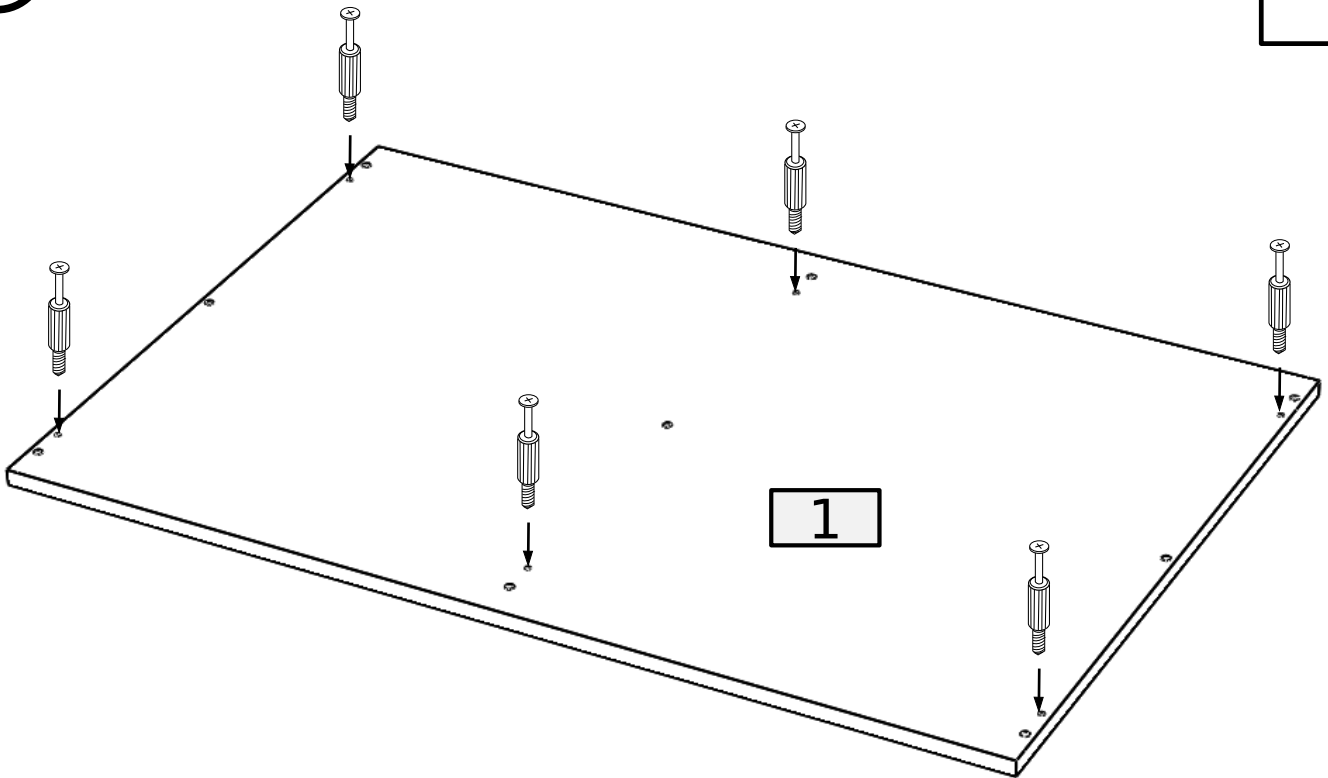
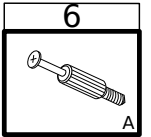
4



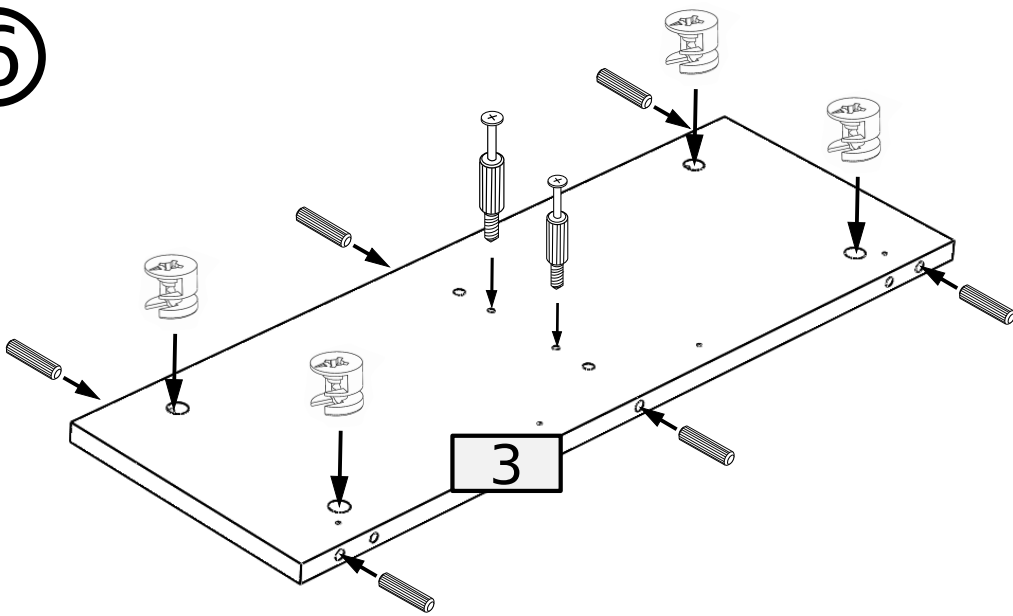
180°



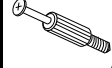


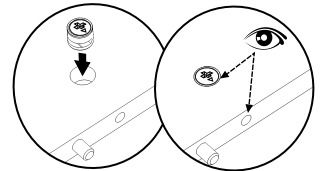
5



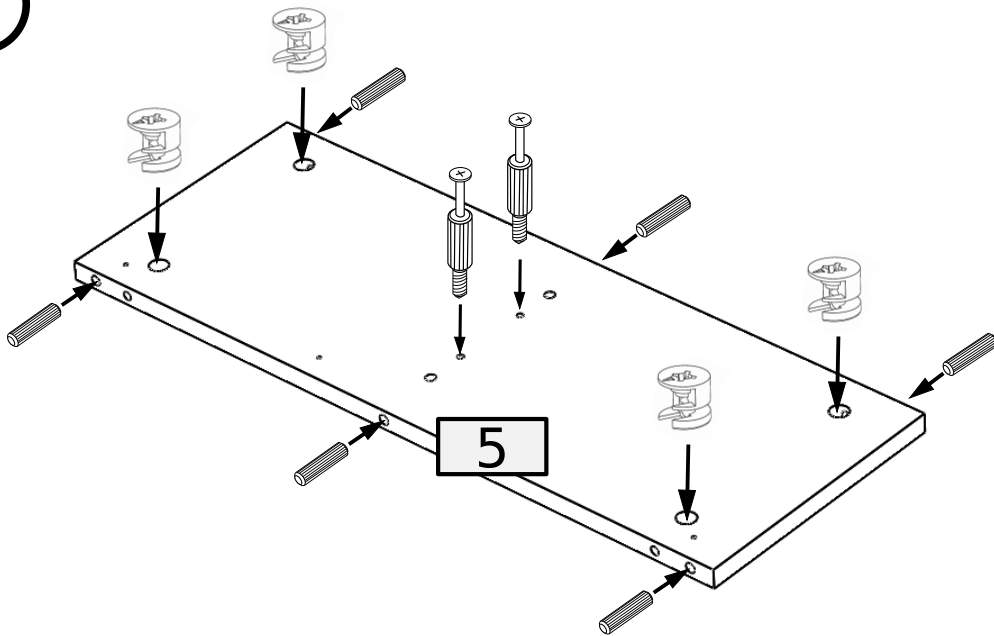
6



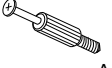


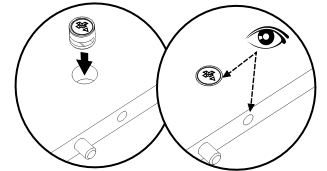
6	4	2
		
8.0x35 D	B	A



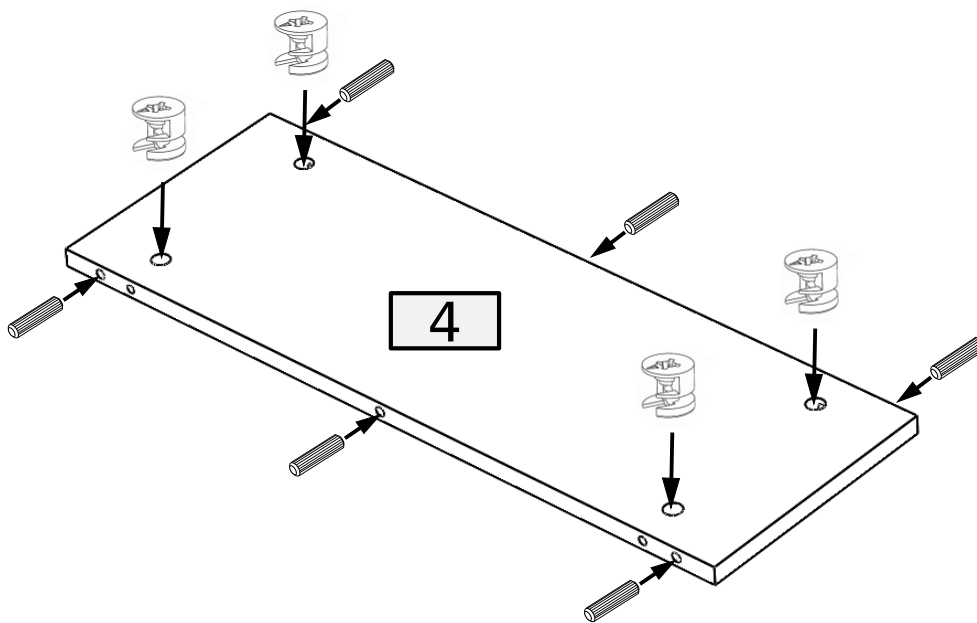
7

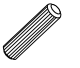



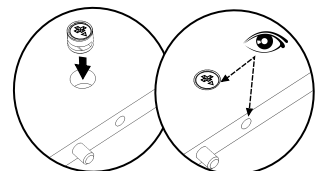
6	4	2
		
8.0x35 D	B	A



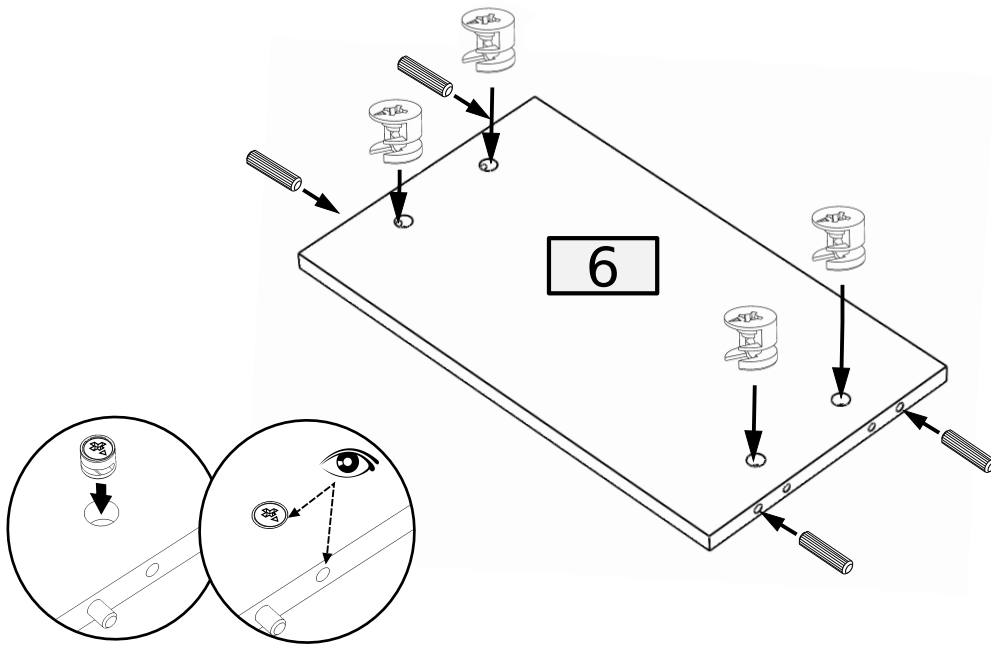
8





6	4
	
8.0x35 D	B

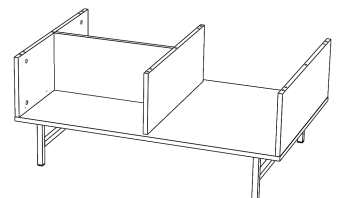
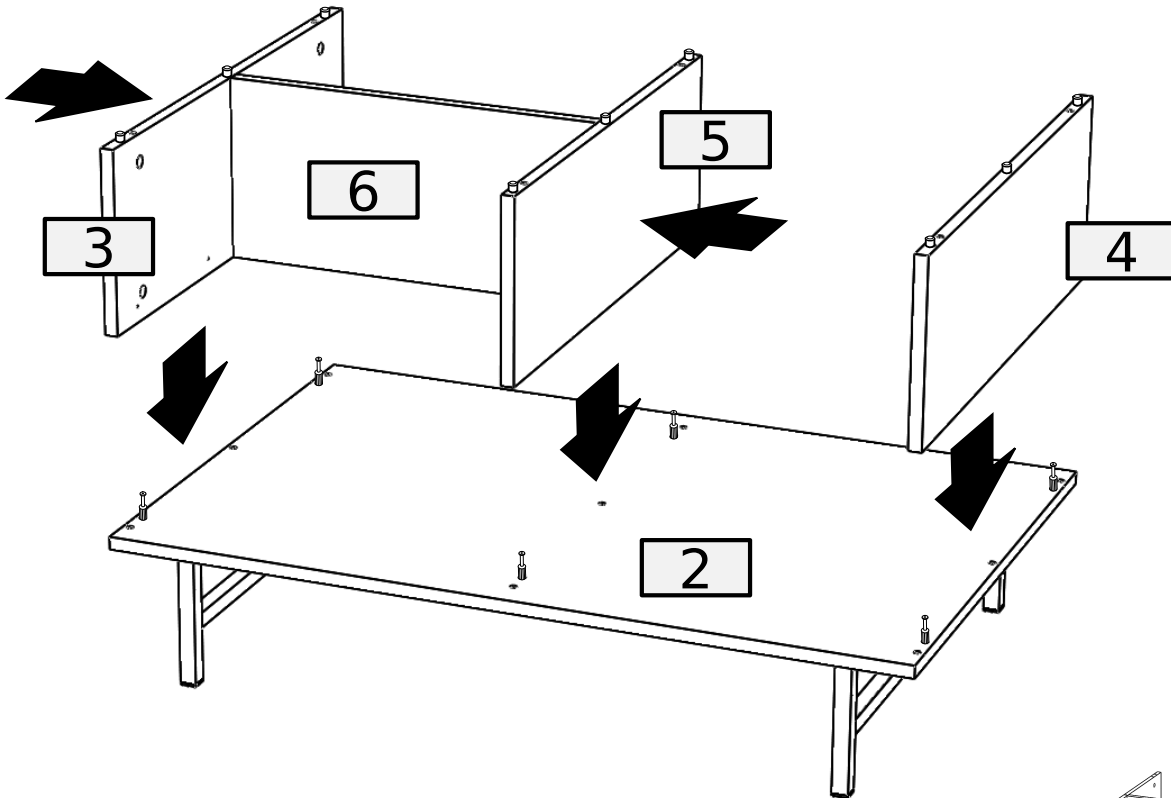
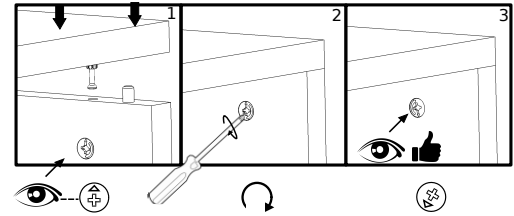


9



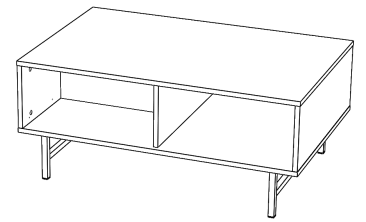
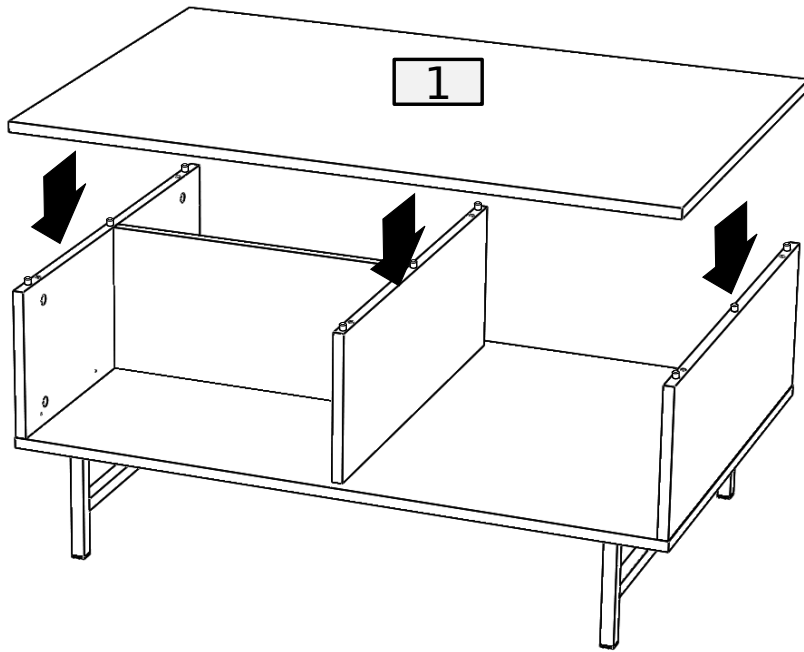
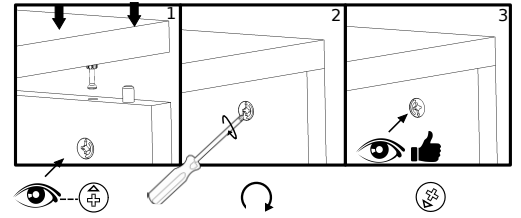
4	4
	
8.0x35	D B

10

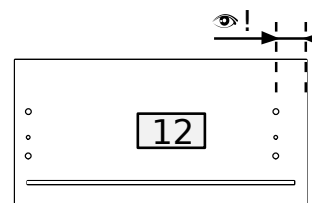
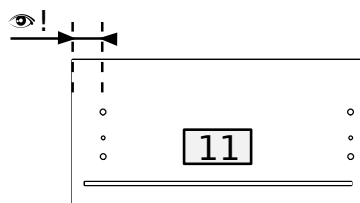
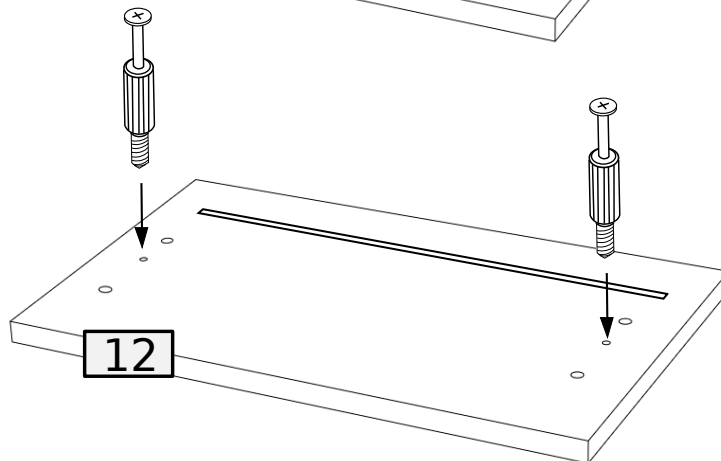
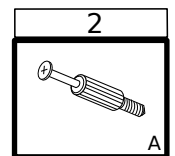
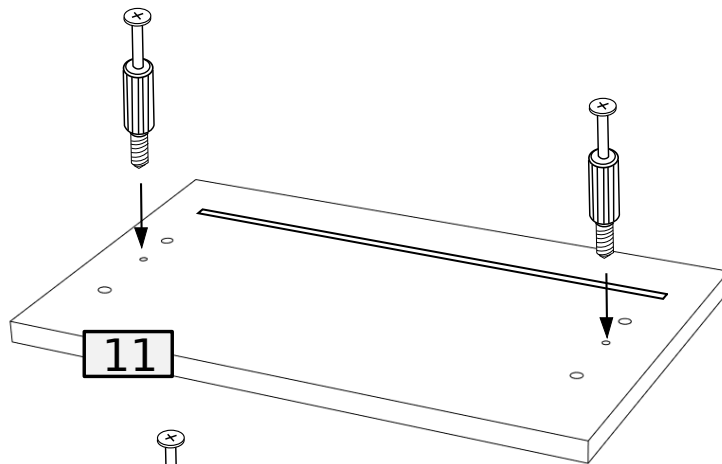
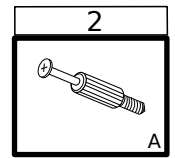




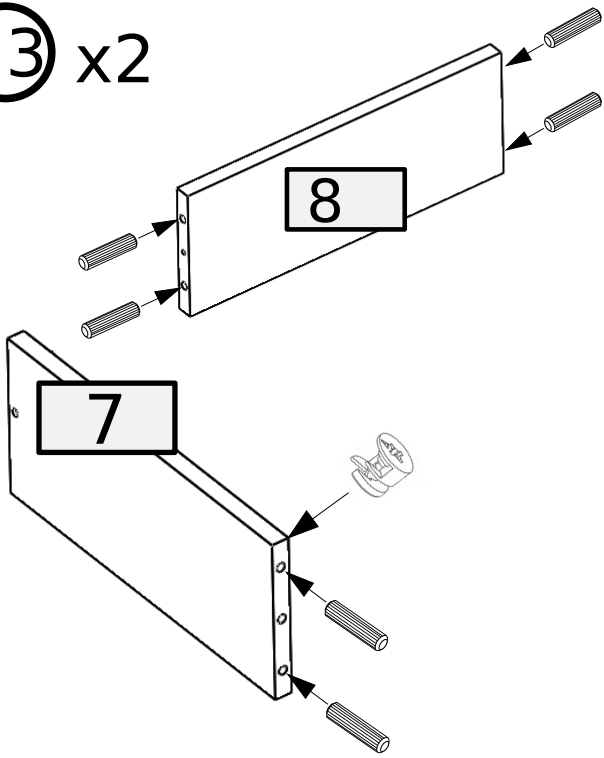
11



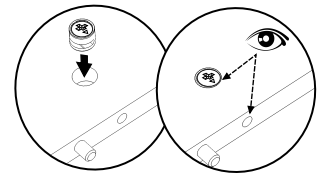
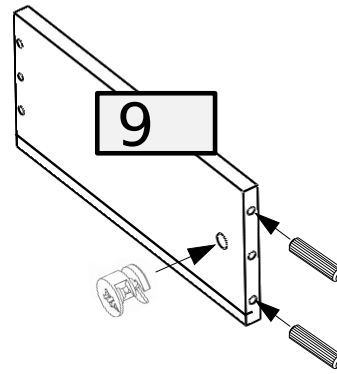
12



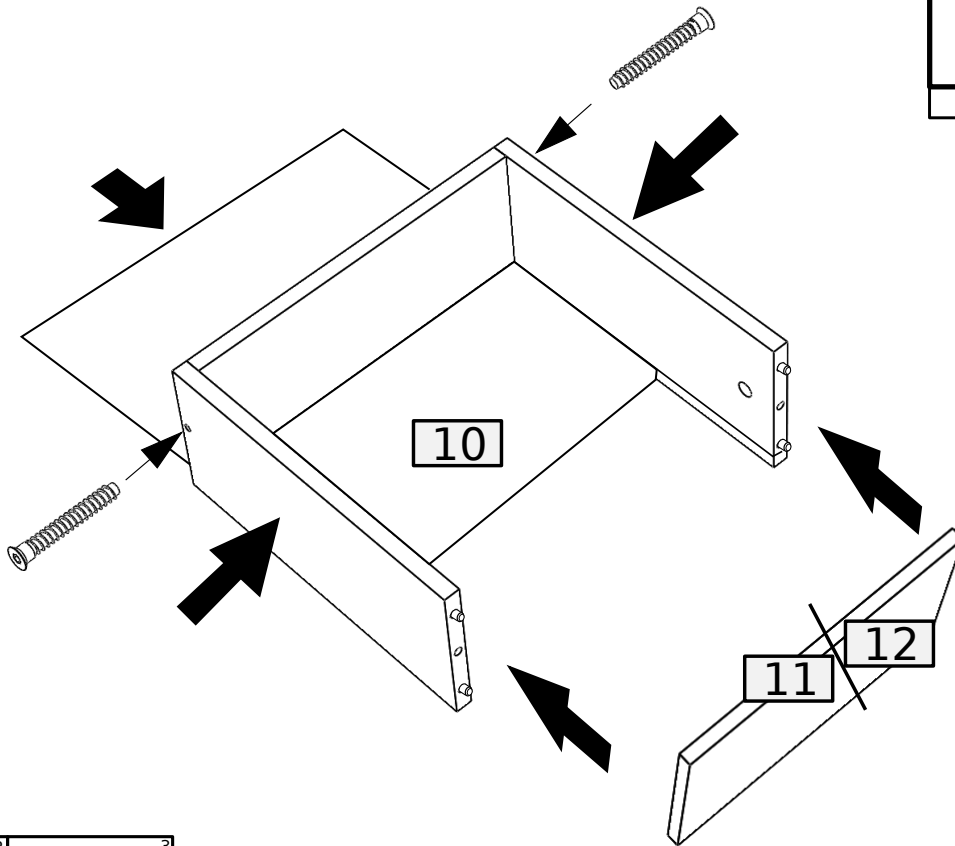
13 x2



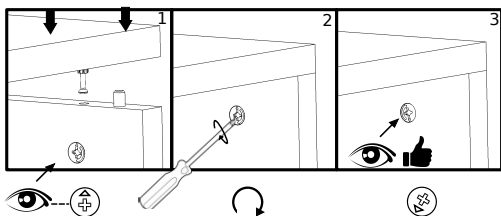
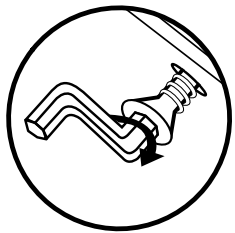
2	8
B	8.0x35 D



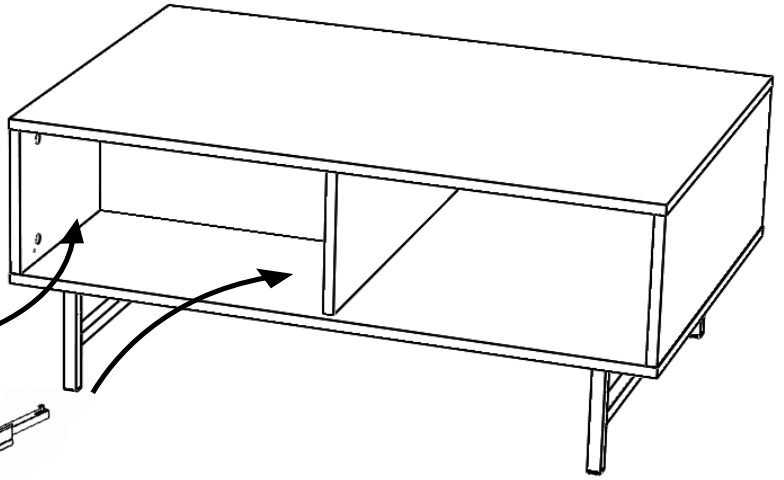
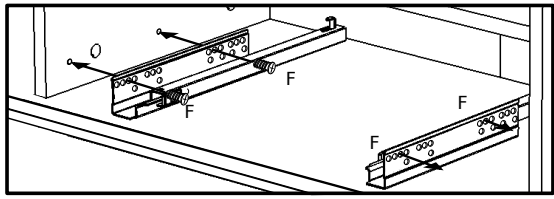
14 x2

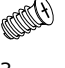
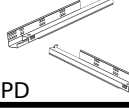


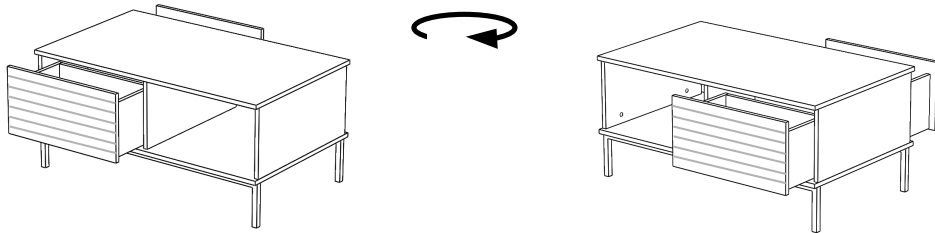
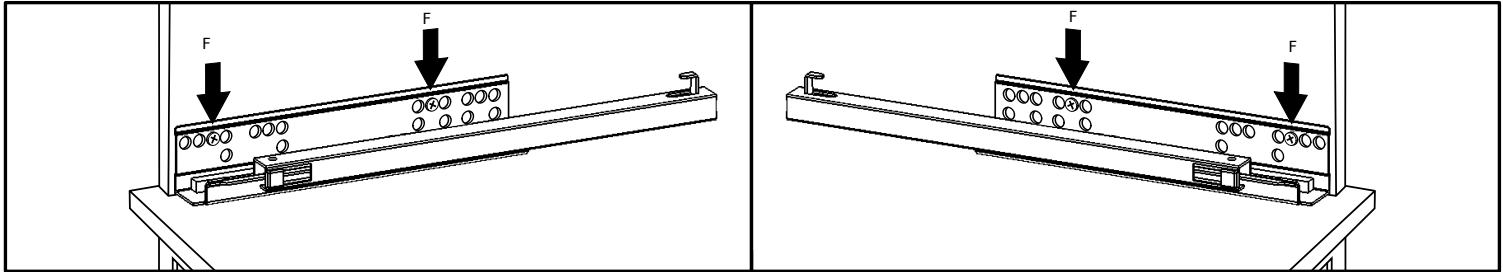
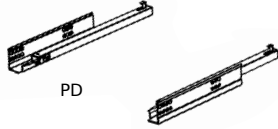
2	1 U1



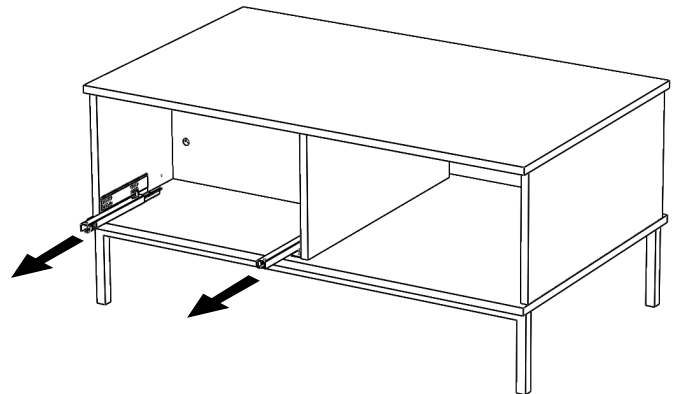
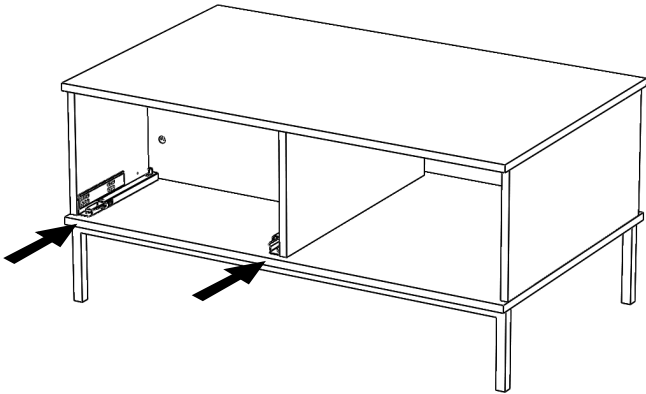
15 x2



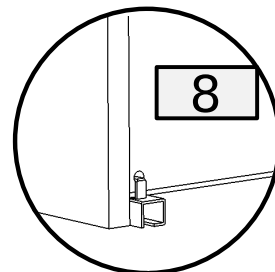
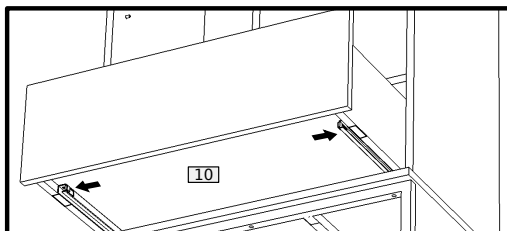
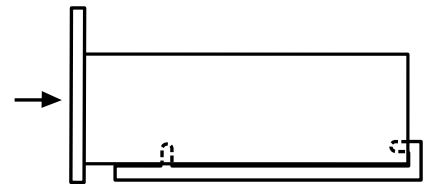
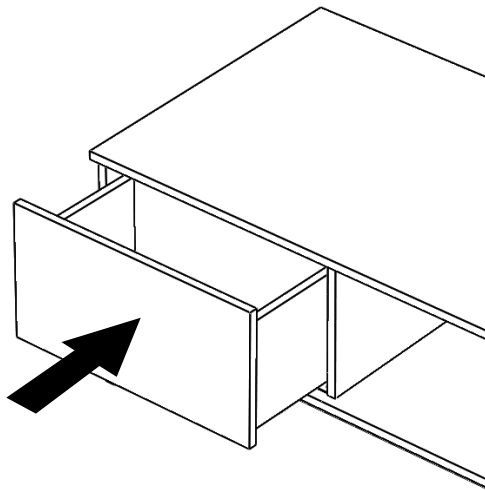
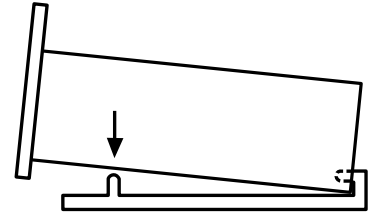
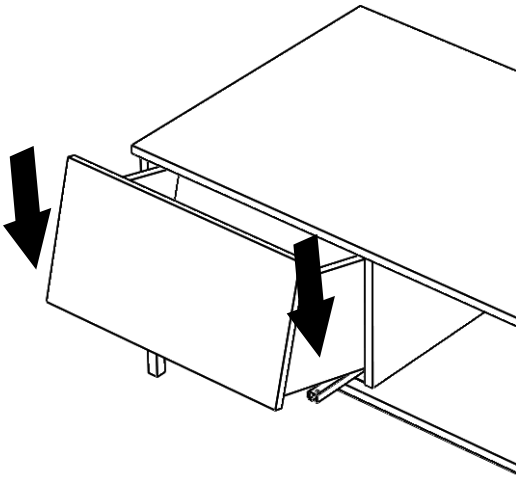
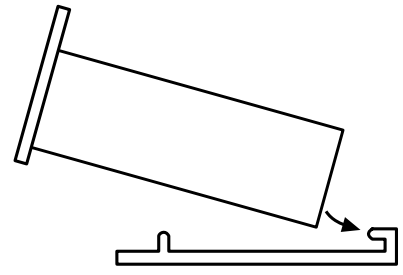
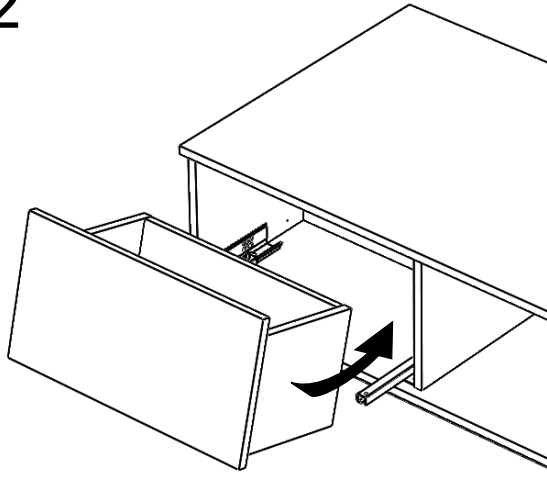
4	1
	
6.3x13	F PD

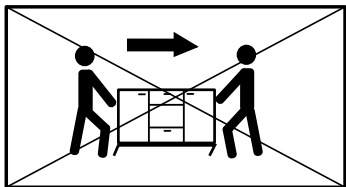
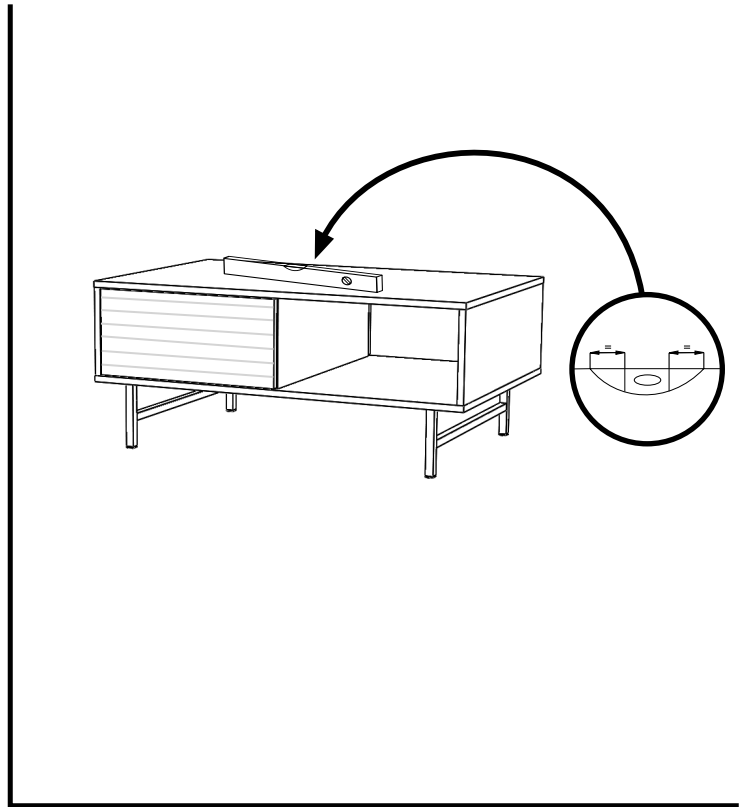
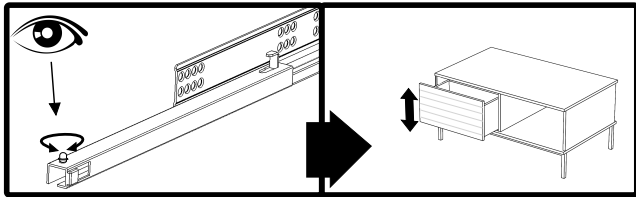
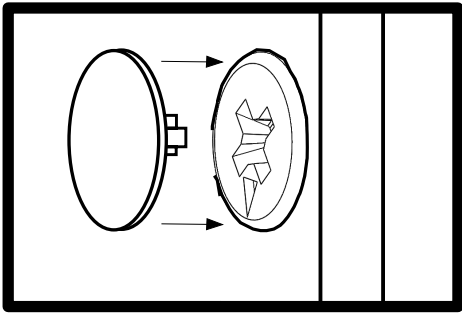


16 x2

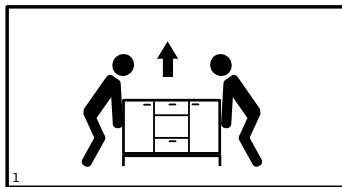


①⑦ x2





×



✓

