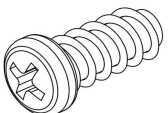
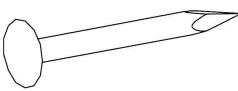
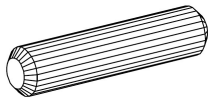
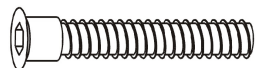

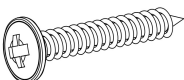
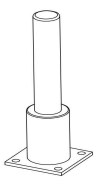
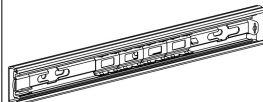

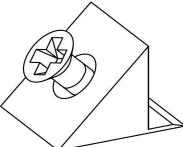
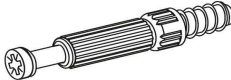
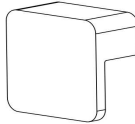
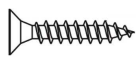
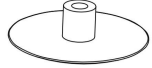
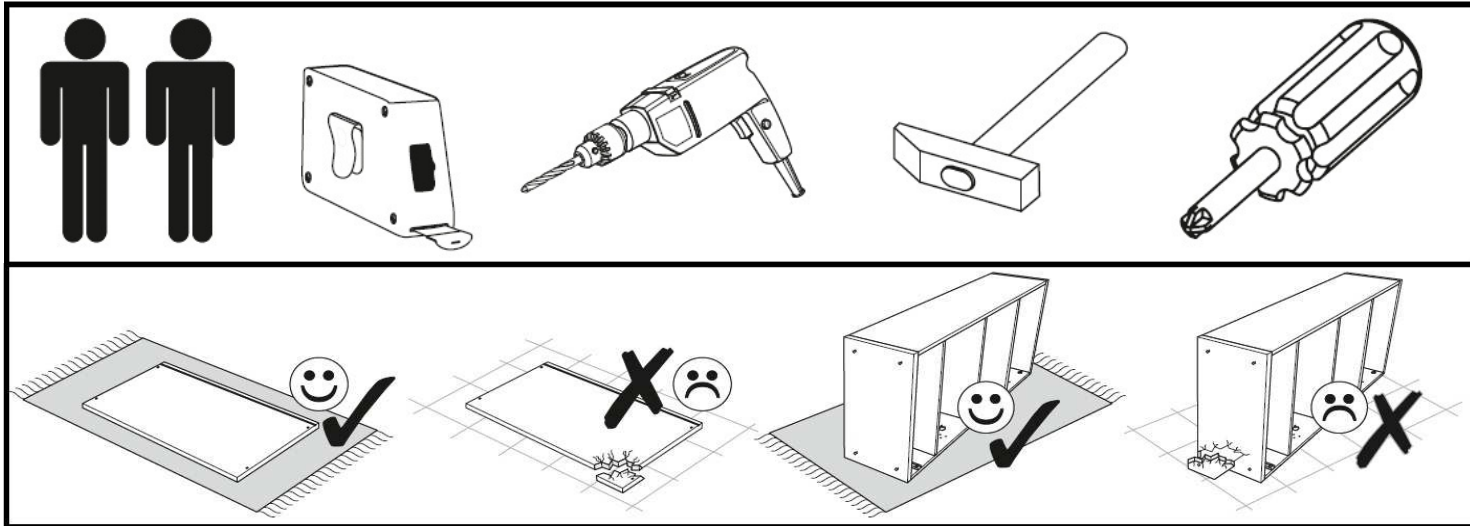
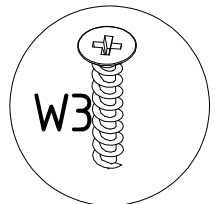
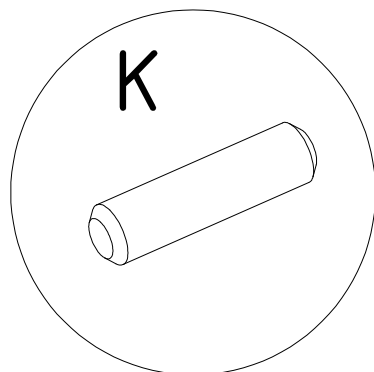
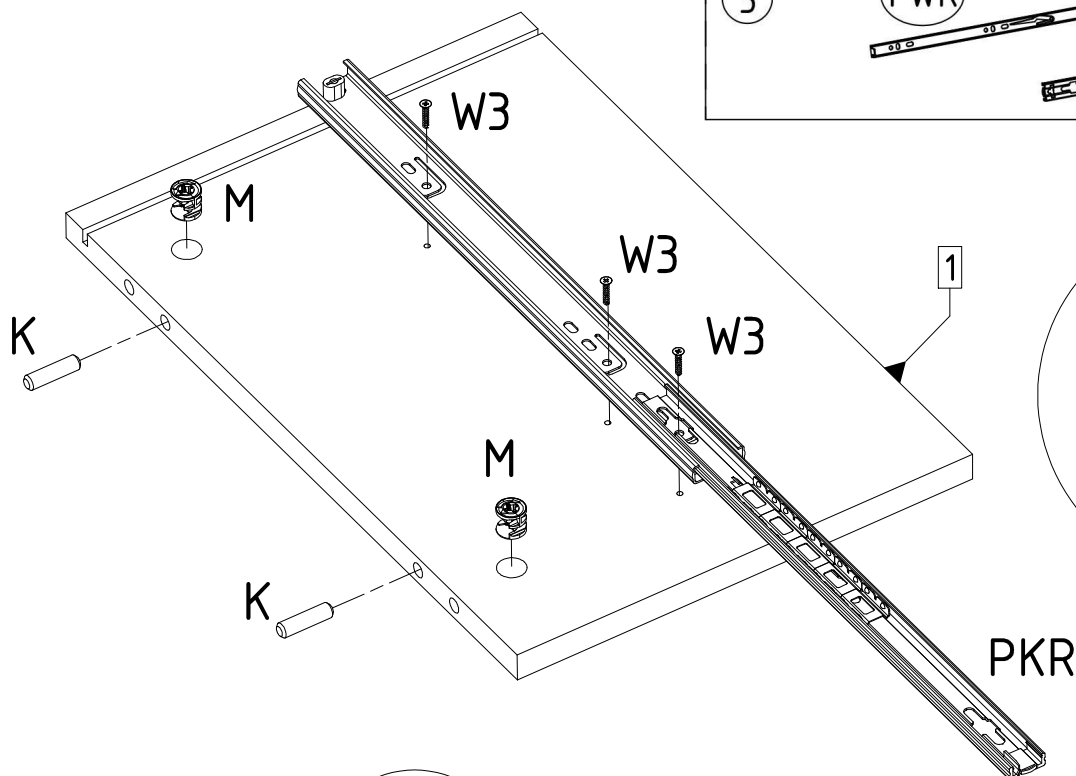
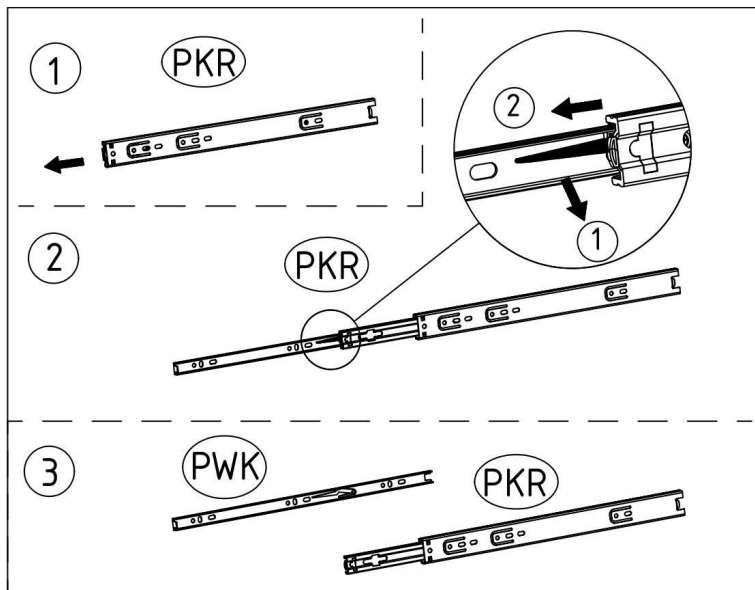
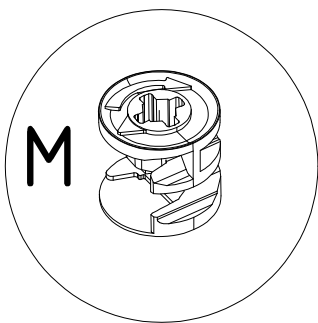
 A1	6,3 X 13  E13	 G	8 x 30  K	6,3 X 50  KN
15 x 12  M	4 x 30  M30	 NT=200mm	L350  PKR	L350  PWK
 ST	6 x 34 mm  T	50 x 50  UK	3 x 16mm  W3	 Z

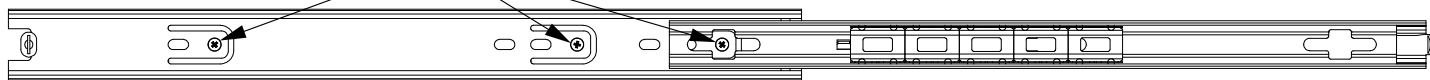
BL [1]	400	268	1	A1	1
BP [2]	400	268	1	E13	16
FTS [3]	463	262	1	G	11
KBL [4]	350	180	1	K	8
KBP [5]	350	180	1	KN	8
KD [6]	439	354	1	M	8
KT [7]	411	180	1	M30	2
PC [8]	274	478	1	NT200mm	4
WD [9]	500	400	1	PKR [L=350mm]	2
WG [10]	500	400	1	PWK [L=350mm]	2
				ST	8
				T	8
				UK_50x50	1
				W3	10
				Z	8

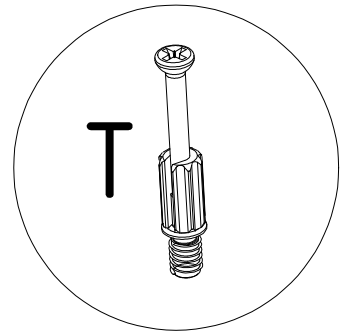
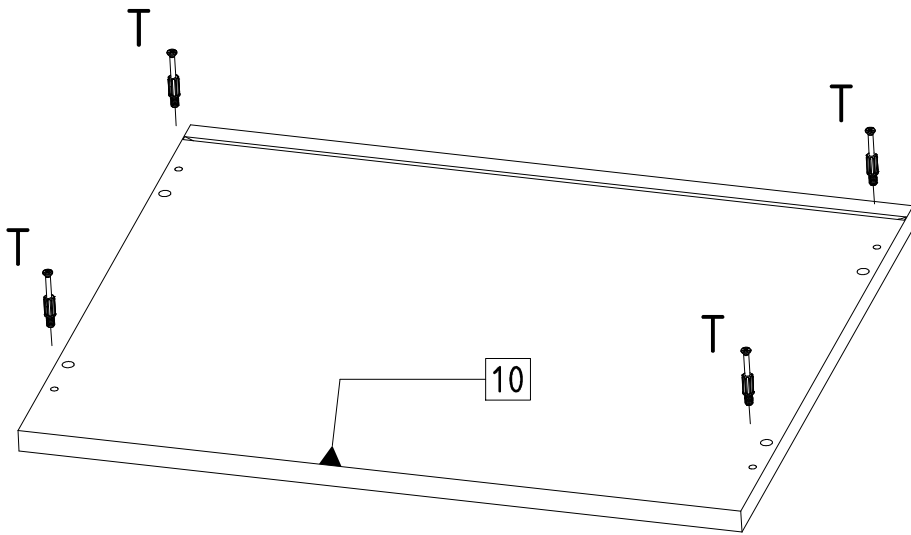


1.

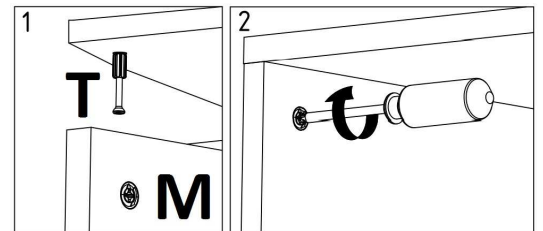
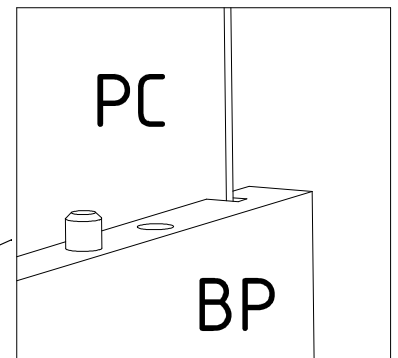
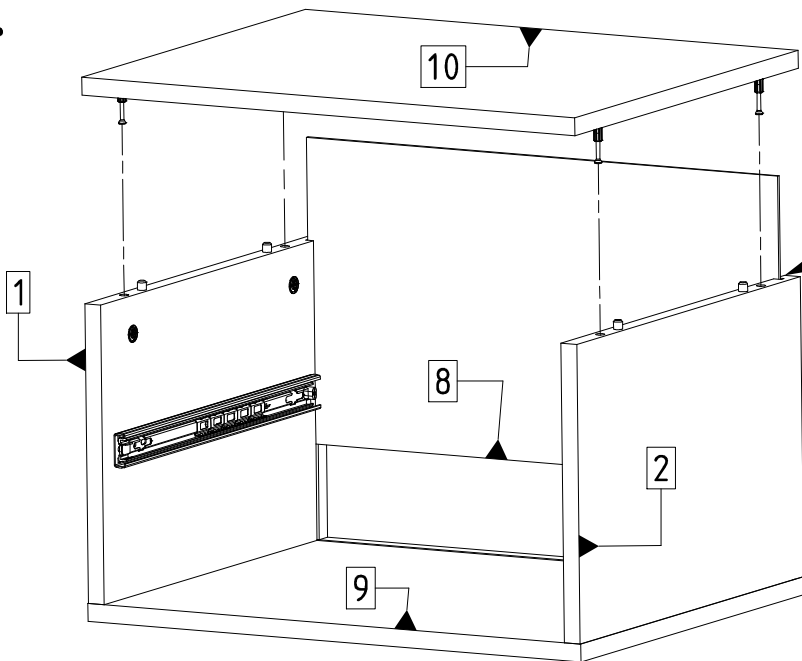


PKR

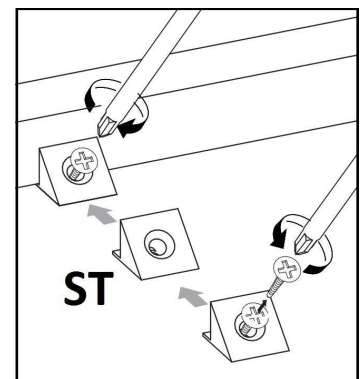
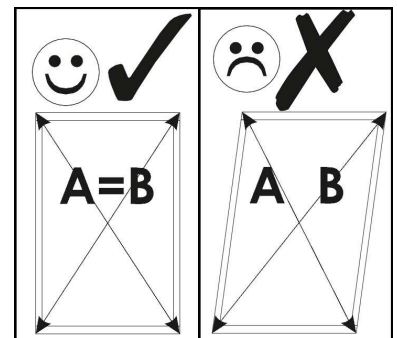
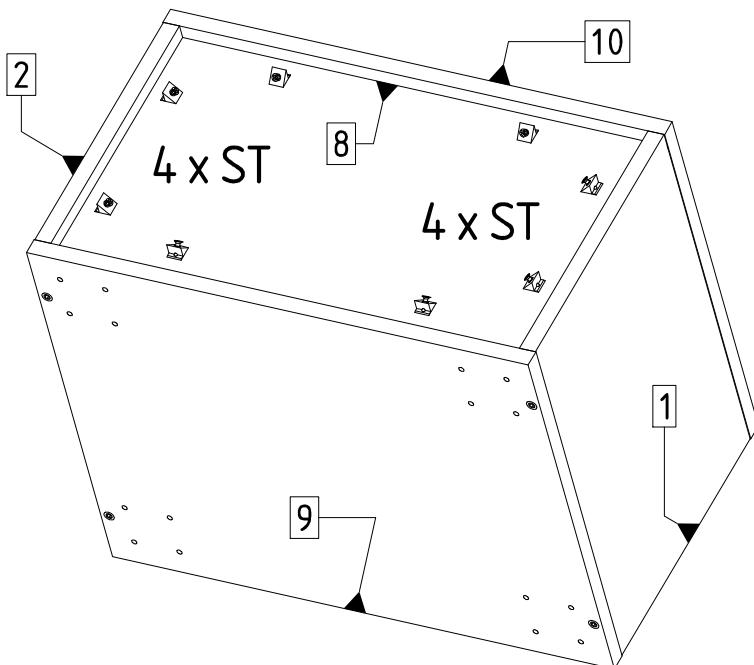




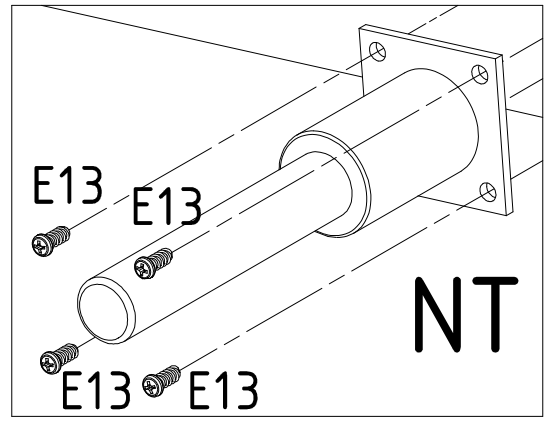
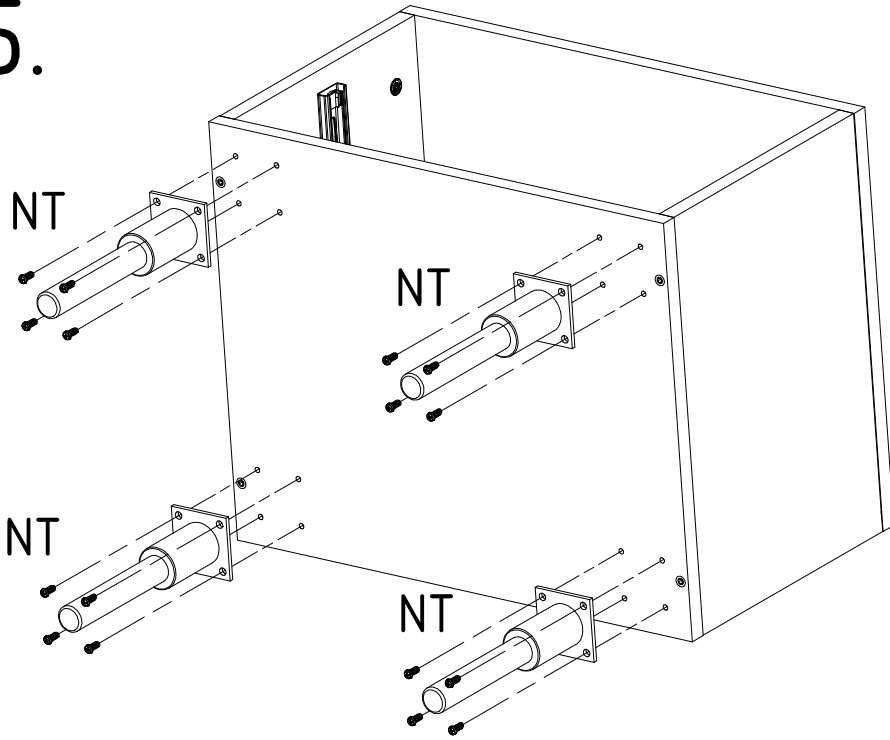
3.



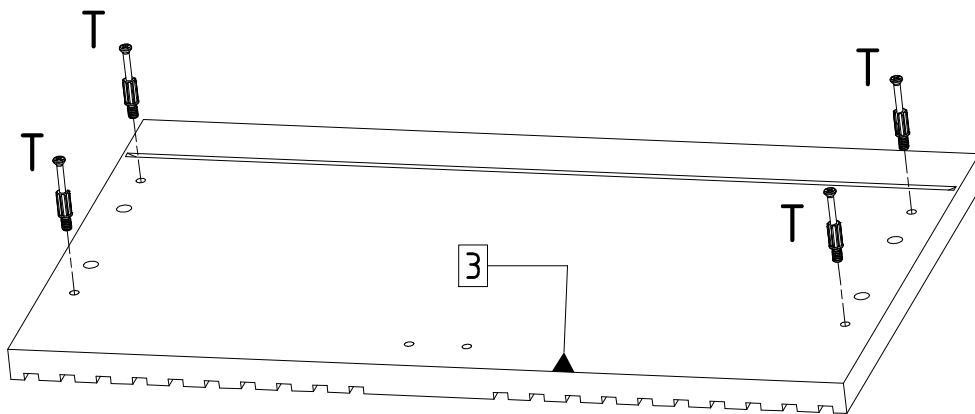
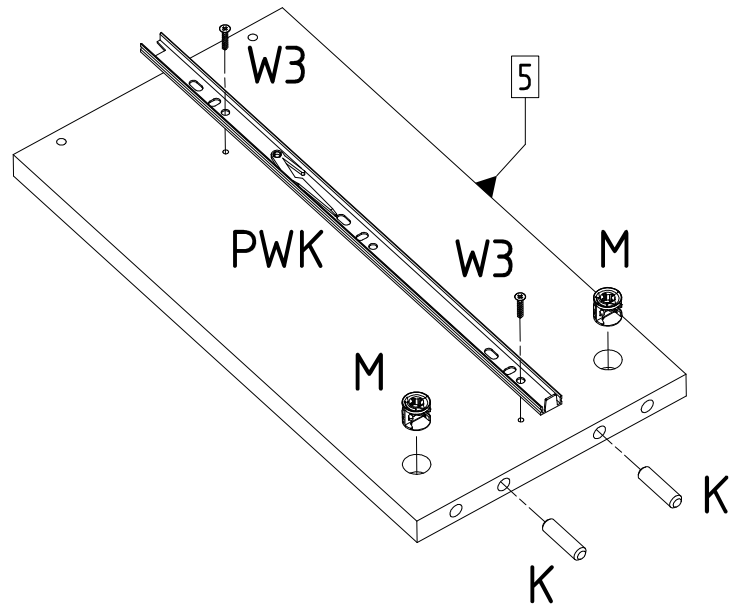
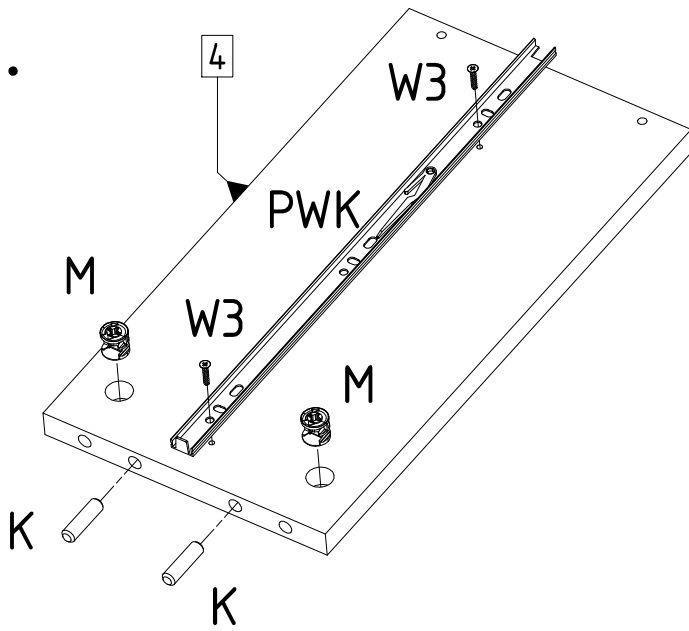
4.



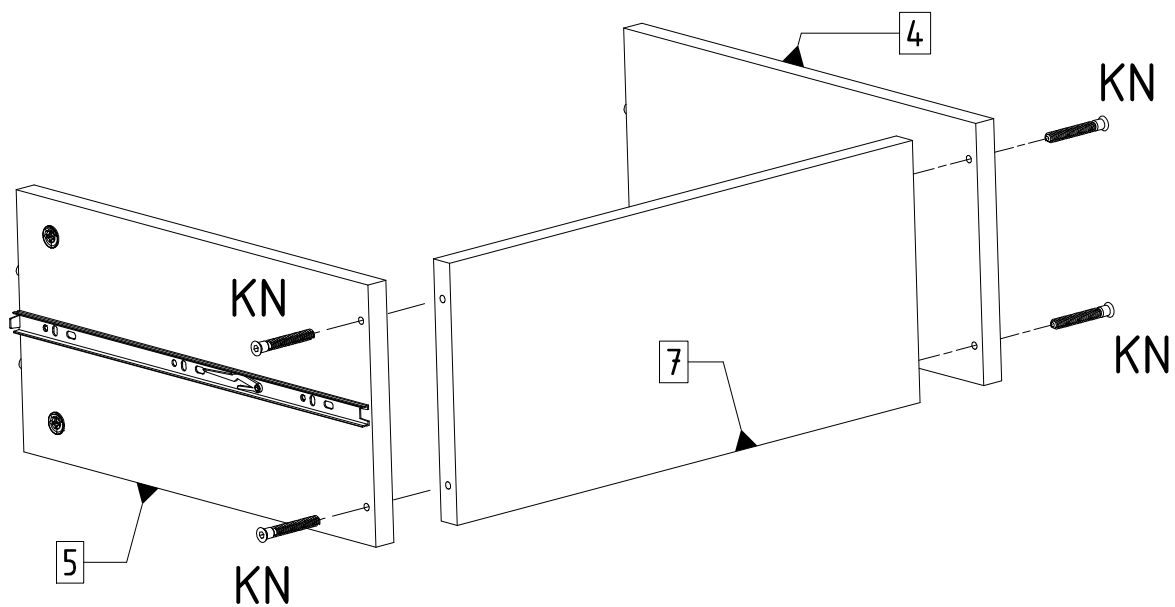
5.



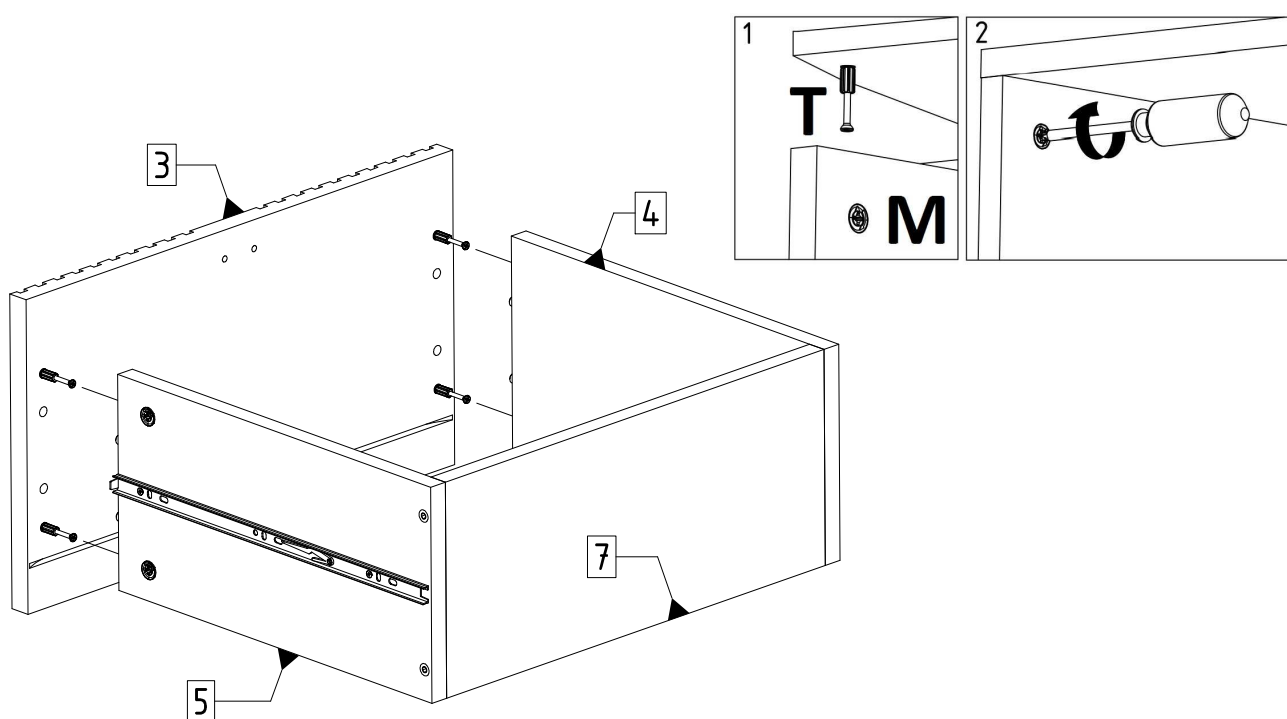
6.



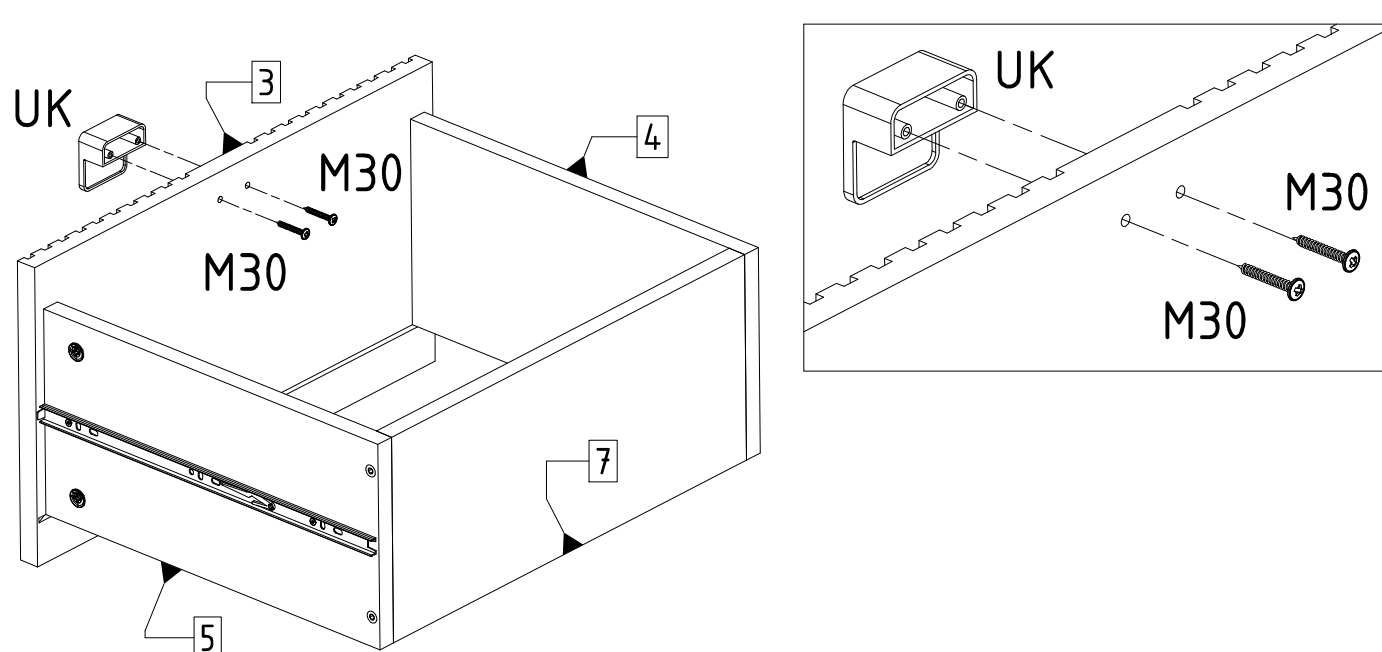
7.



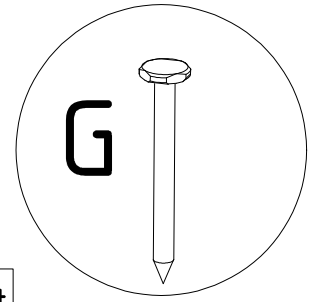
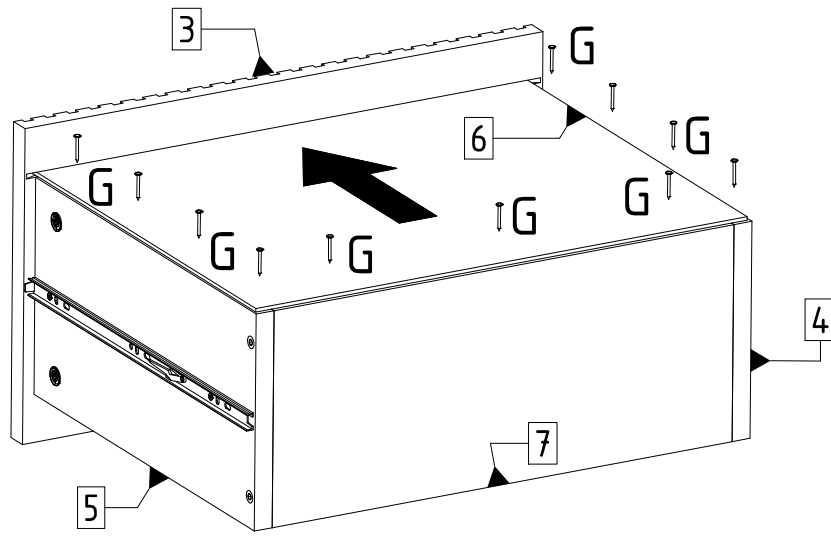
8.



9.



10.



11.

