

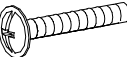
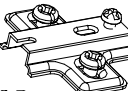
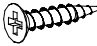
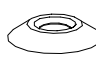

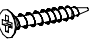
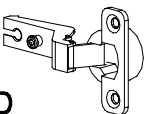



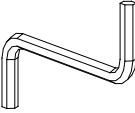
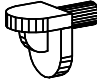
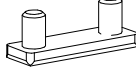
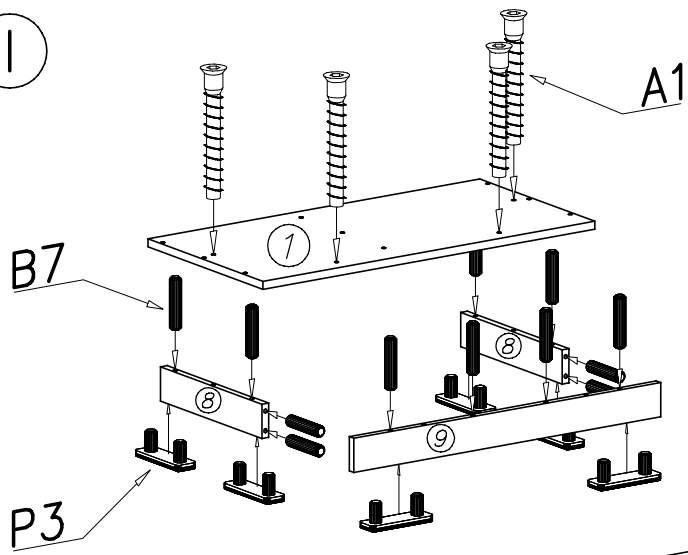
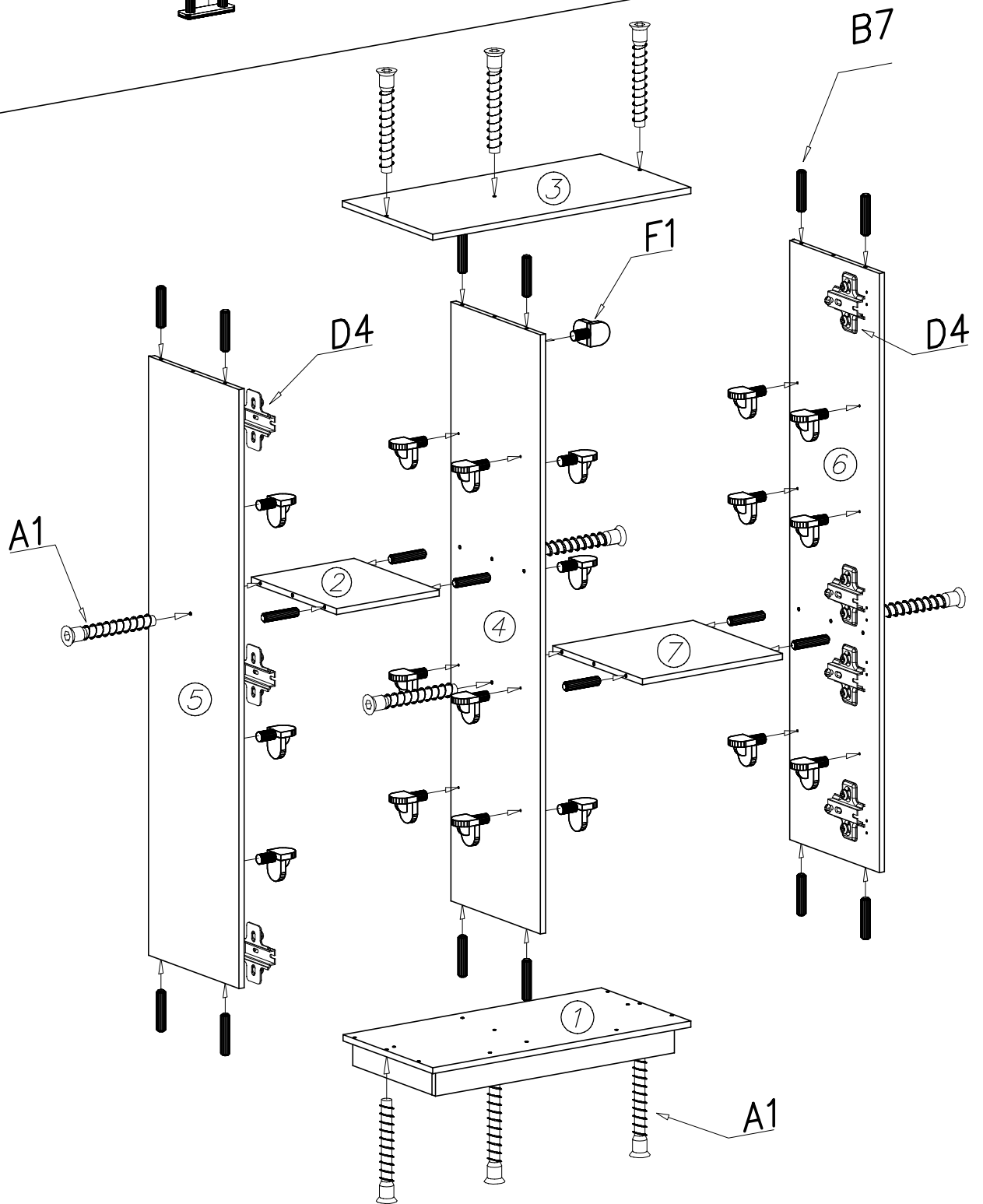


<b>E9</b>  x3	<b>W1</b>  x2	<b>N13</b>  <b>M4x22</b> x6	<b>D4</b>  <b>PZ350D</b> x7	<b>G11</b>  <b>4x20</b> x6
<b>S2</b>  x11	<b>G4</b>  <b>4x16</b> x14	<b>G2</b>  <b>3x20</b> x50	<b>C4</b>  <b>Z350D</b> x7	<b>I3</b>  x6
<b>A1</b>  <b>ø7x50</b> x14	<b>B7</b>  <b>ø8x30</b> x32	<b>W2</b>  x1	<b>F1</b>  x25	<b>P3</b>  x6

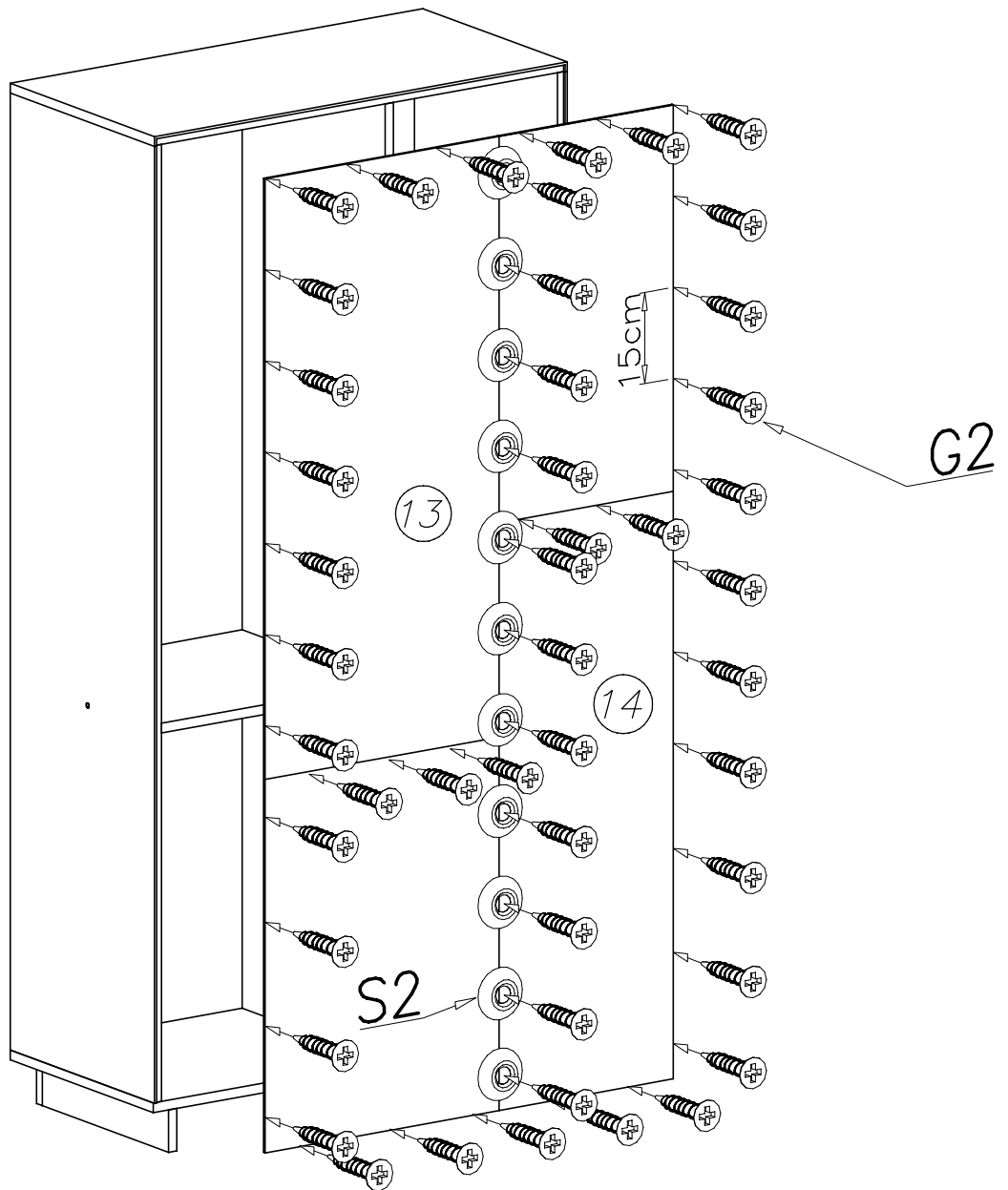
I



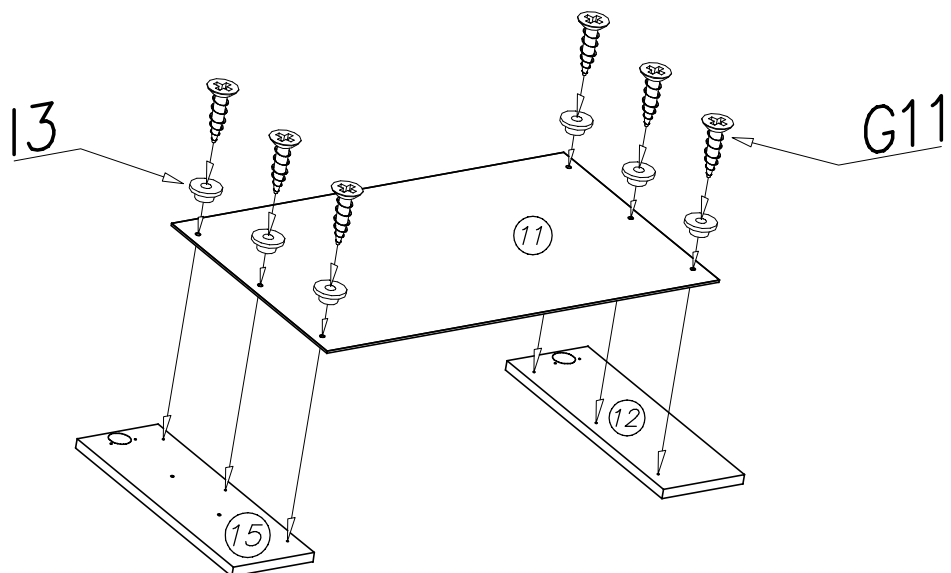
II



III



IV



V

