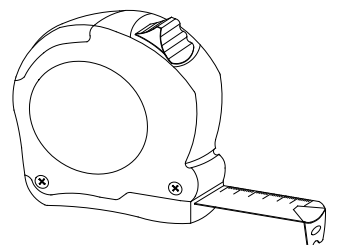
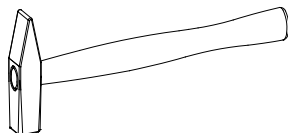
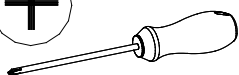
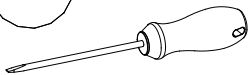
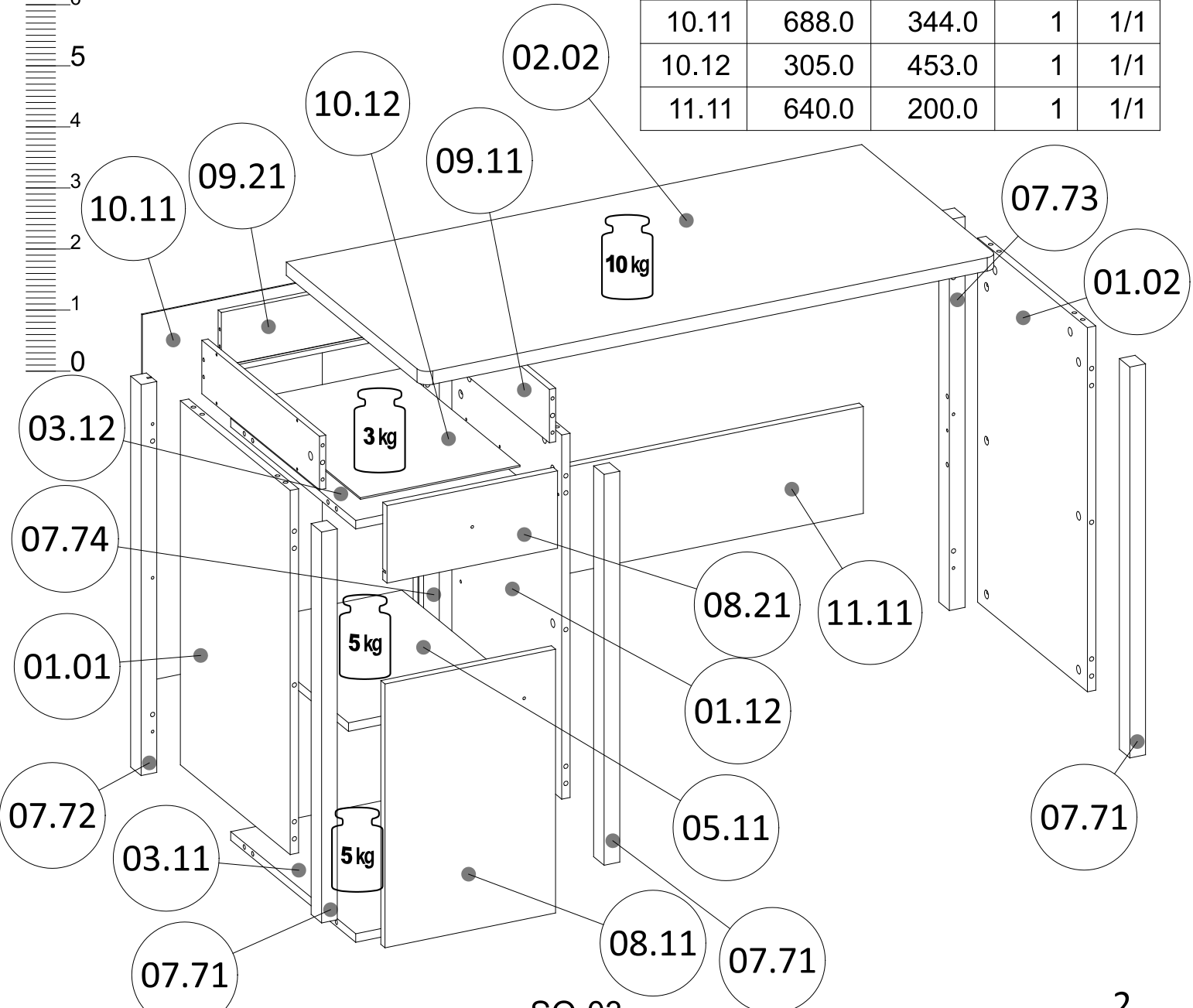
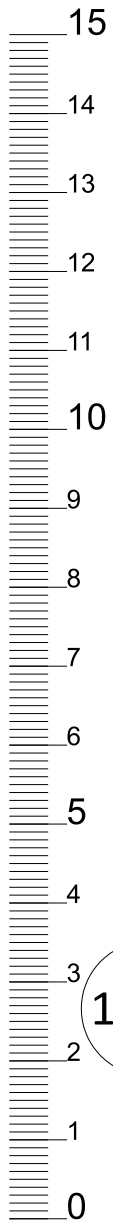
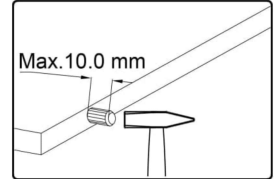
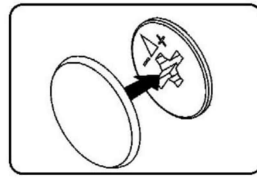
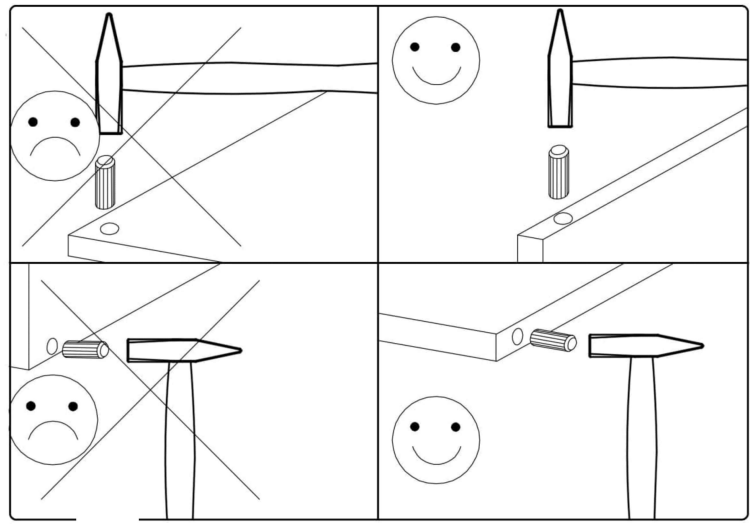
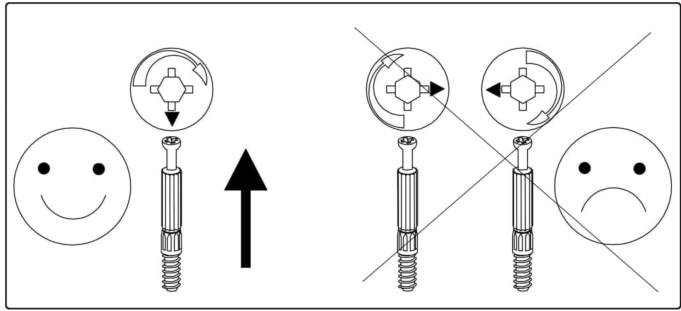
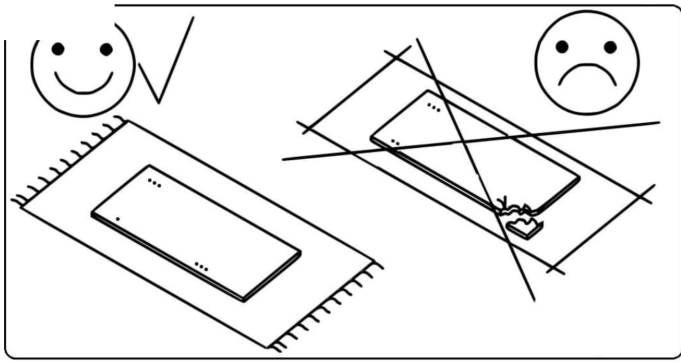



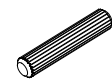
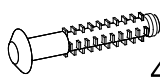


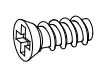


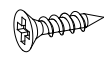



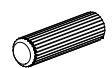

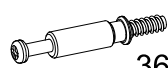



90 min



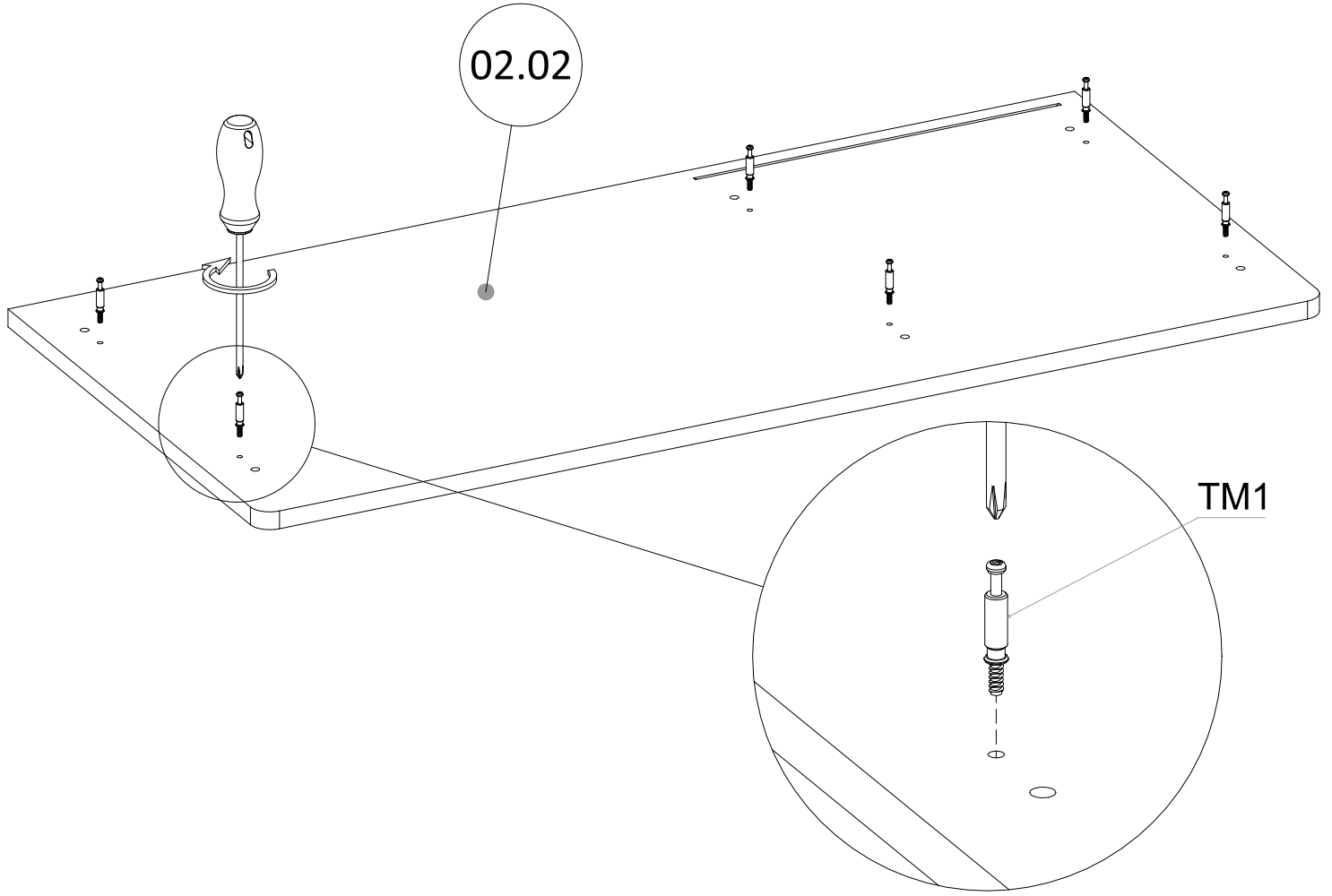
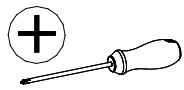
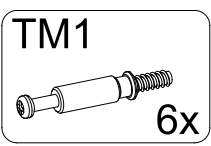
01.01	682.0	420.0	1	1/1
01.02	682.0	420.0	1	1/1
01.12	682.0	420.0	1	1/1
02.02	1100.0	520.0	1	1/1
03.11	330.0	478.0	1	1/1
03.12	330.0	478.0	1	1/1
05.11	330.0	456.0	1	1/1
07.71	732.0	40.0	3	1/1
07.72	732.0	40.0	1	1/1
07.73	732.0	40.0	1	1/1
07.74	732.0	40.0	1	1/1
08.11	494.0	326.0	1	1/1
08.21	326.0	145.0	1	1/1
09.11	450.0	100.0	2	1/1
09.21	281.0	114.0	1	1/1
10.11	688.0	344.0	1	1/1
10.12	305.0	453.0	1	1/1
11.11	640.0	200.0	1	1/1



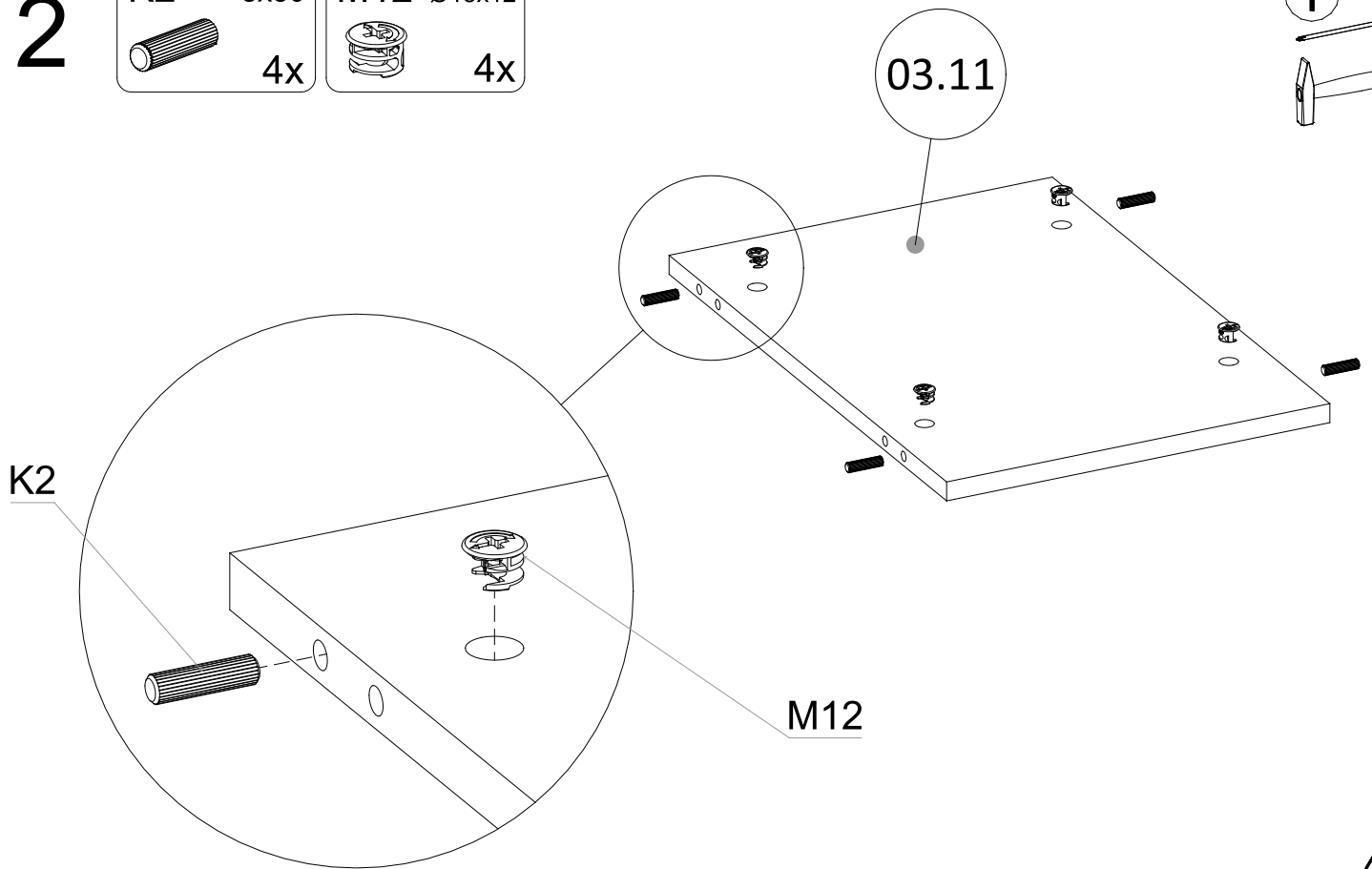
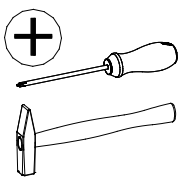
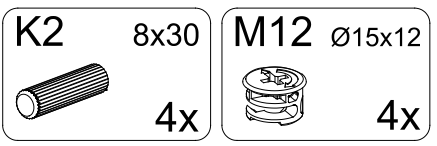


<b>H2E</b>  2x	<b>K1</b> 6x30  4x	<b>KP</b> 6x40  4x	<b>PR5</b> L=450  1x	<b>M10</b> Ø15x10  2x	<b>WE61</b> 5x13  6x
<b>SG</b>  6x	<b>ULN</b> Ø26  2x	<b>W7</b> 4x13  4x	<b>TK</b>  8x	<b>W36</b> 4x25  2x	<b>WE66</b> 5x9  4x
<b>K2</b> 8x30  30x	<b>M12</b> Ø15x12  34x	<b>TM1</b>  36x	<b>NA20</b> Ø20 318  24x	<b>PP6</b> Ø5  4x	<b>G2</b> 2,0x20  4x

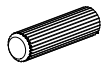

1

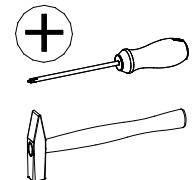


2



# 3

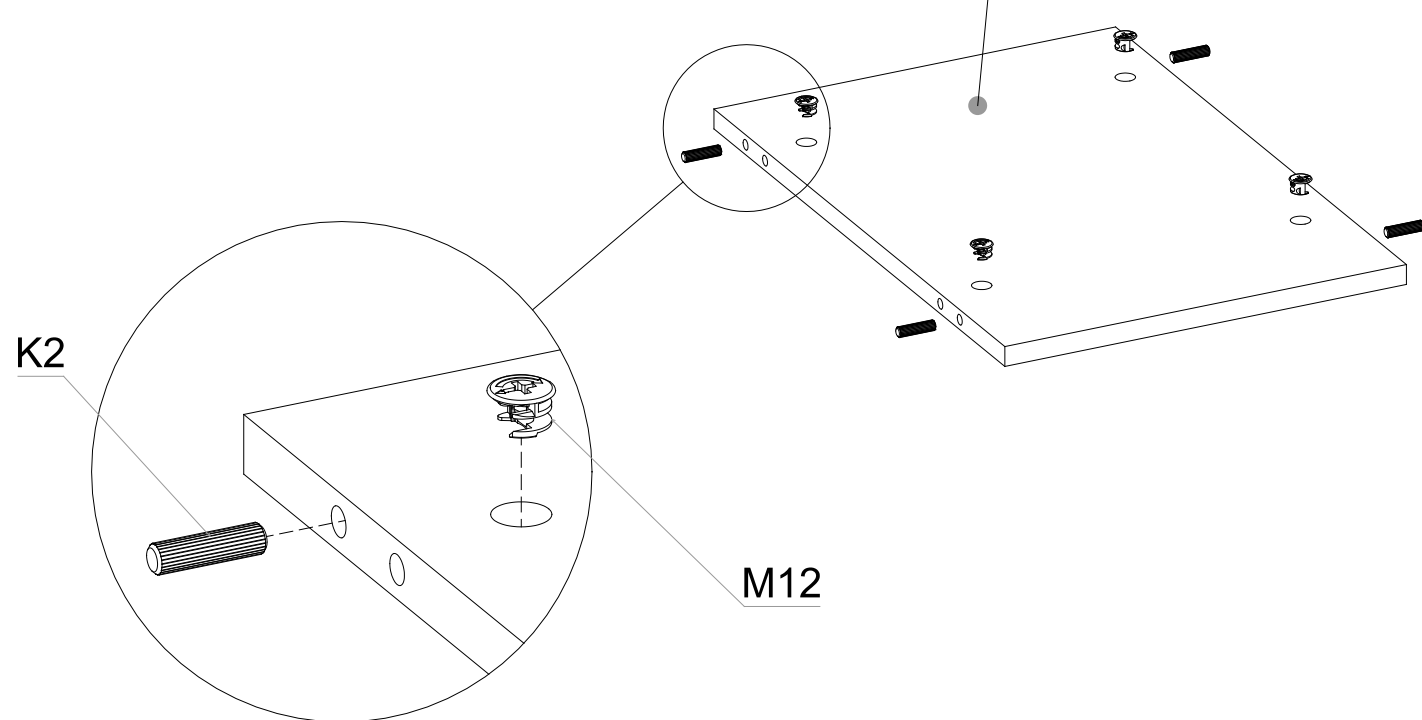
- |  |      |  |    |
|--|------|--|----|
| <b>K2</b>  | 8x30 | <b>M12</b> Ø15x12  |    |
|  | 4x   |  | 4x |



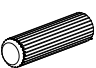
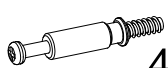


03.12

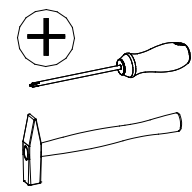
K2

M12



# 4

- |   |      |   |   |   |    |
|---|------|---|---|---|----|
| <b>K2</b>   | 8x30 | <b>TM1</b>  | <b>M12</b> Ø15x12   | <b>PP6</b> Ø5   |    |
|  | 6x   |  |  |  | 2x |



PP6

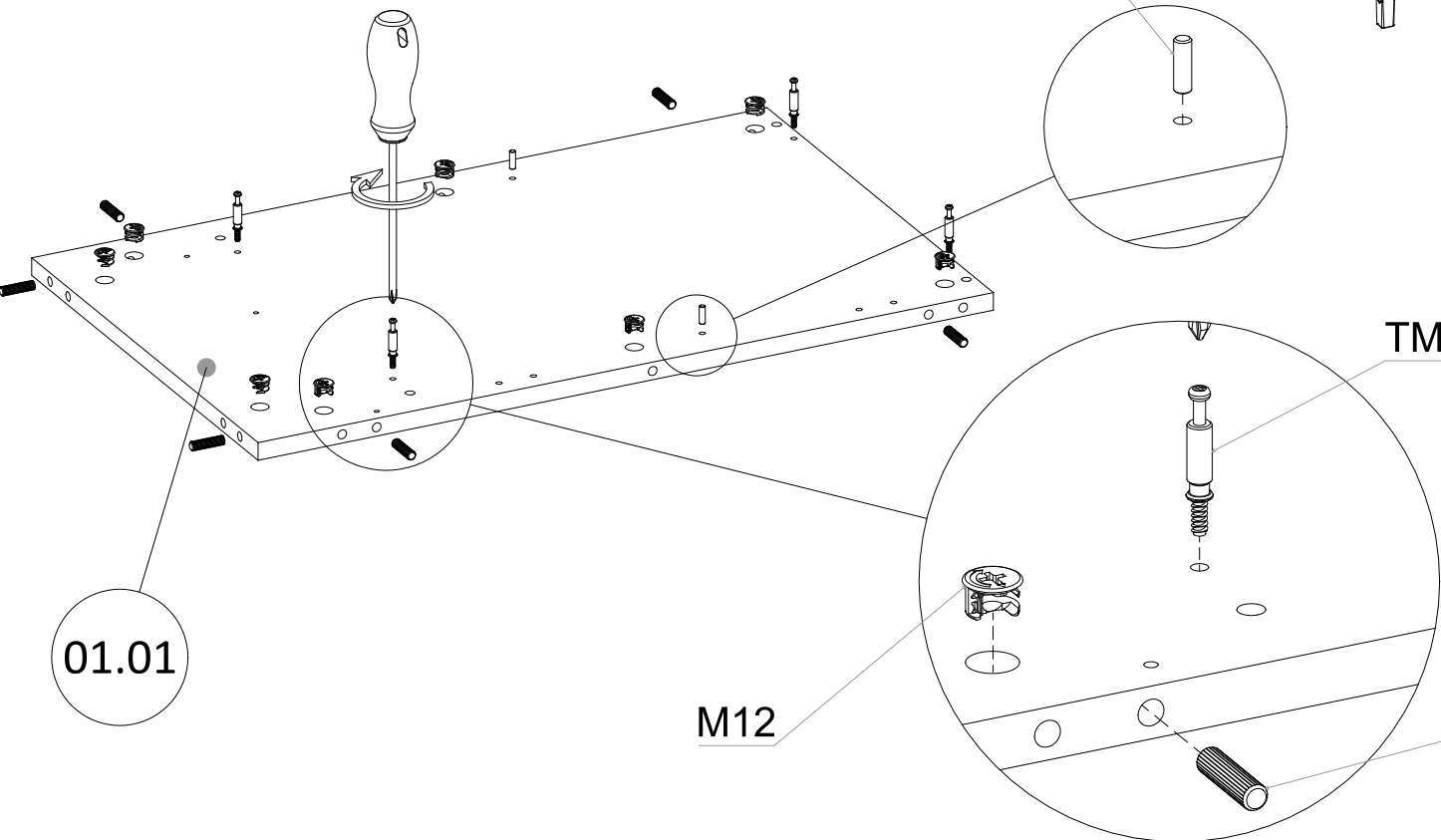
01.01

M12

TM1

K2

5



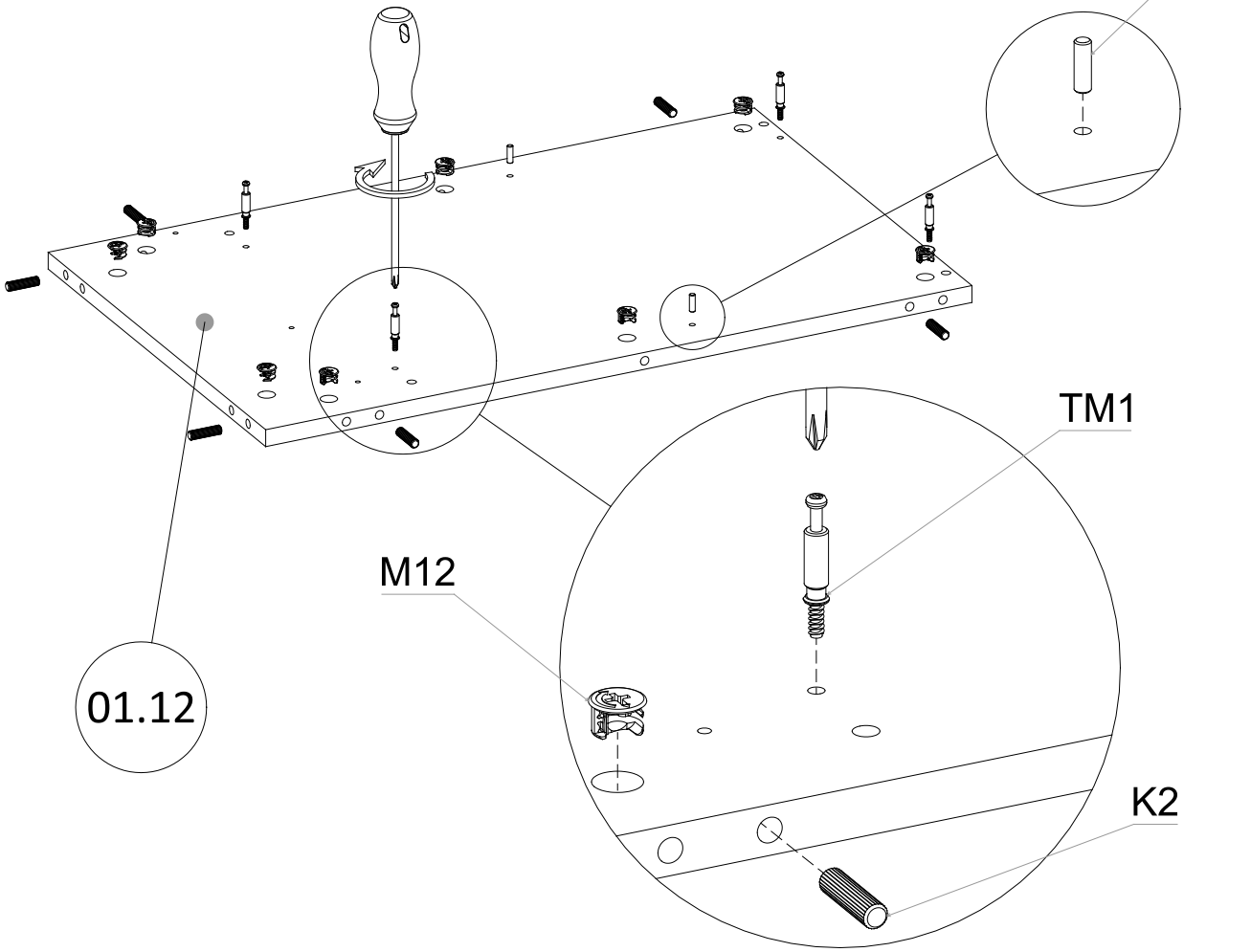
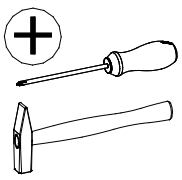
# 5

K2 8x30  
6x

TM1 4x

M12 Ø15x12 8x

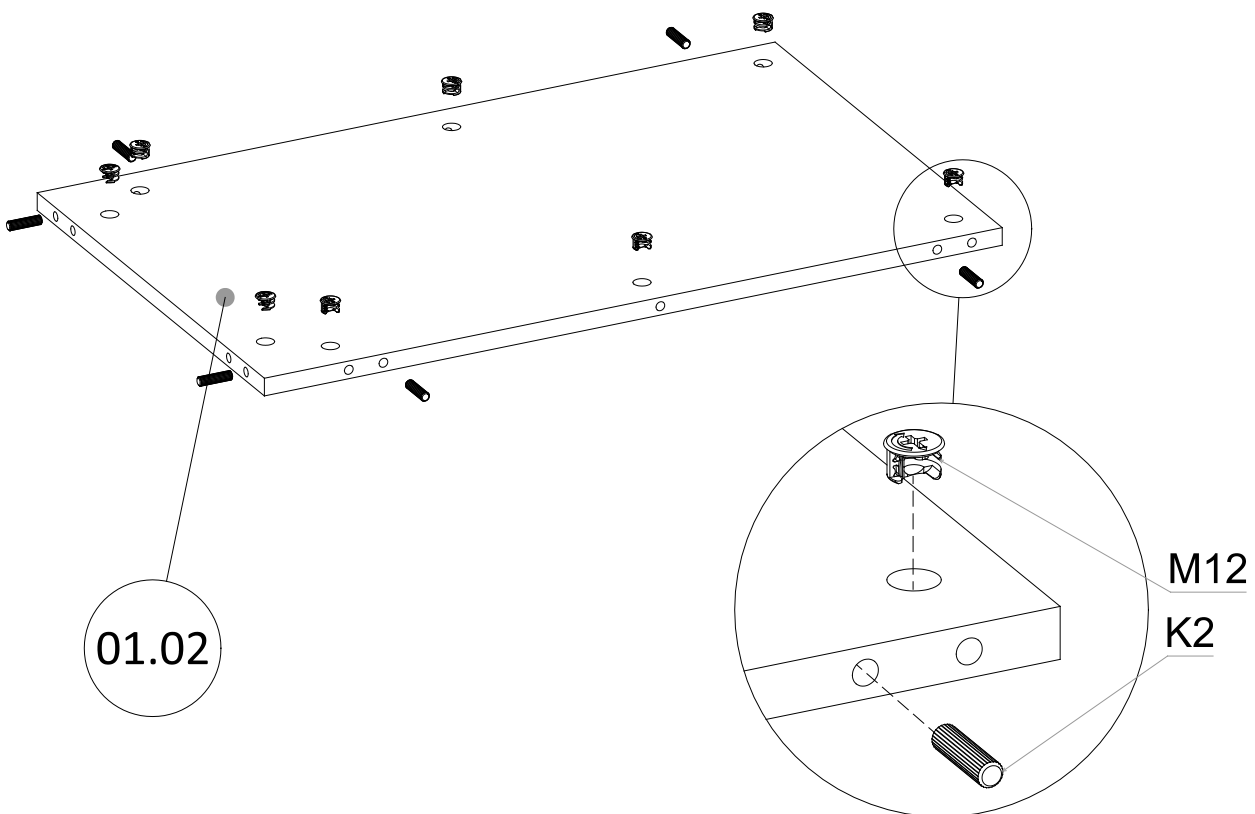
PP6 Ø5 2x



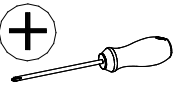
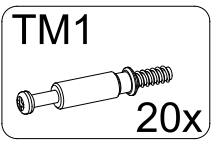
# 6

K2 8x30  
6x

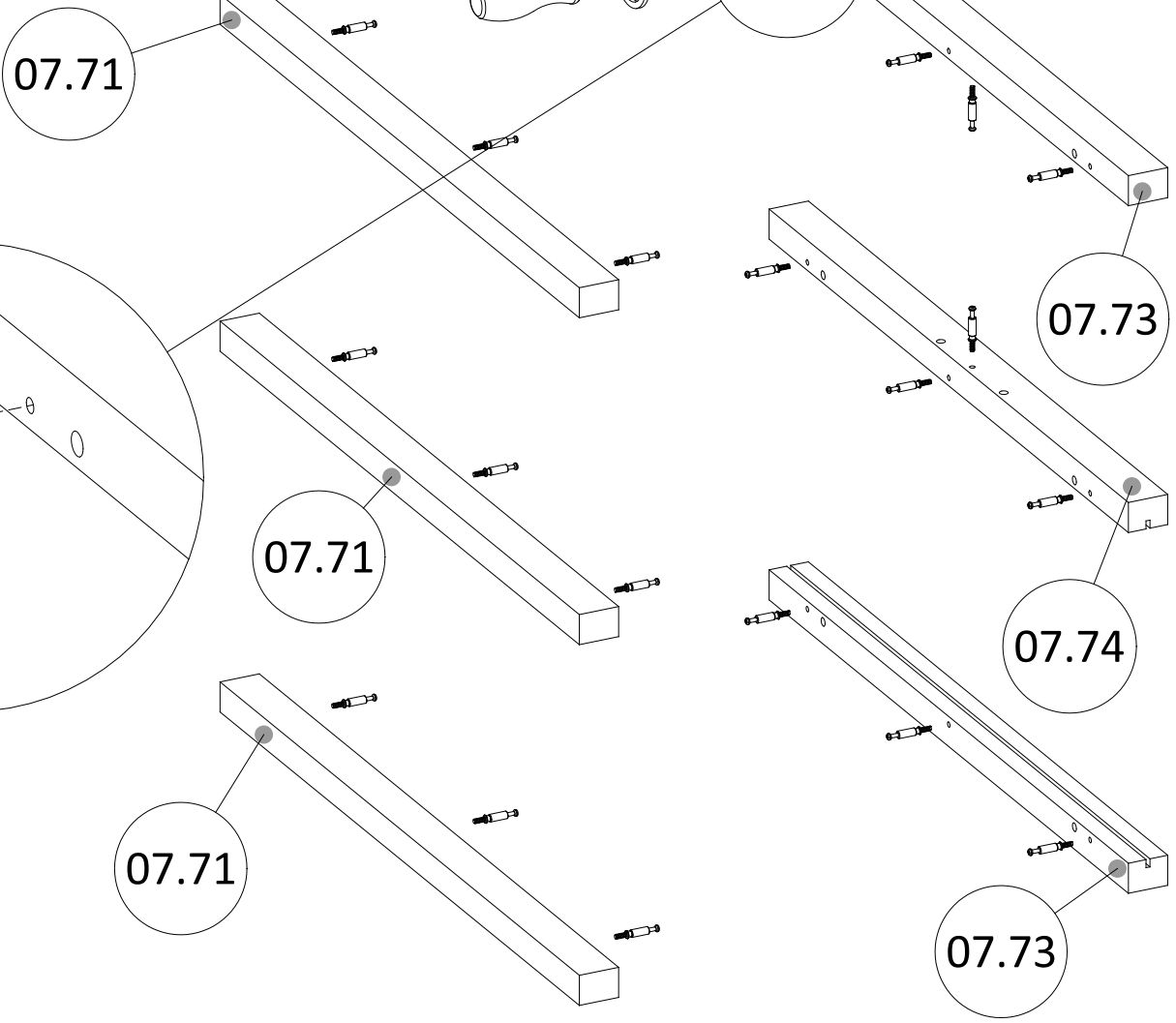
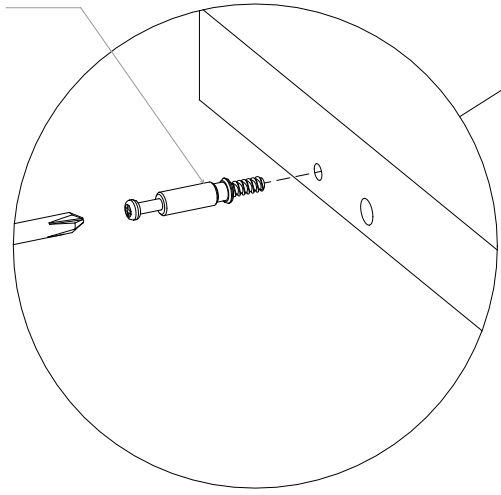
M12 Ø15x12 8x



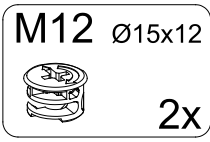
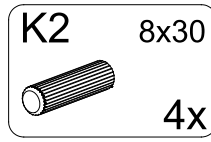
7



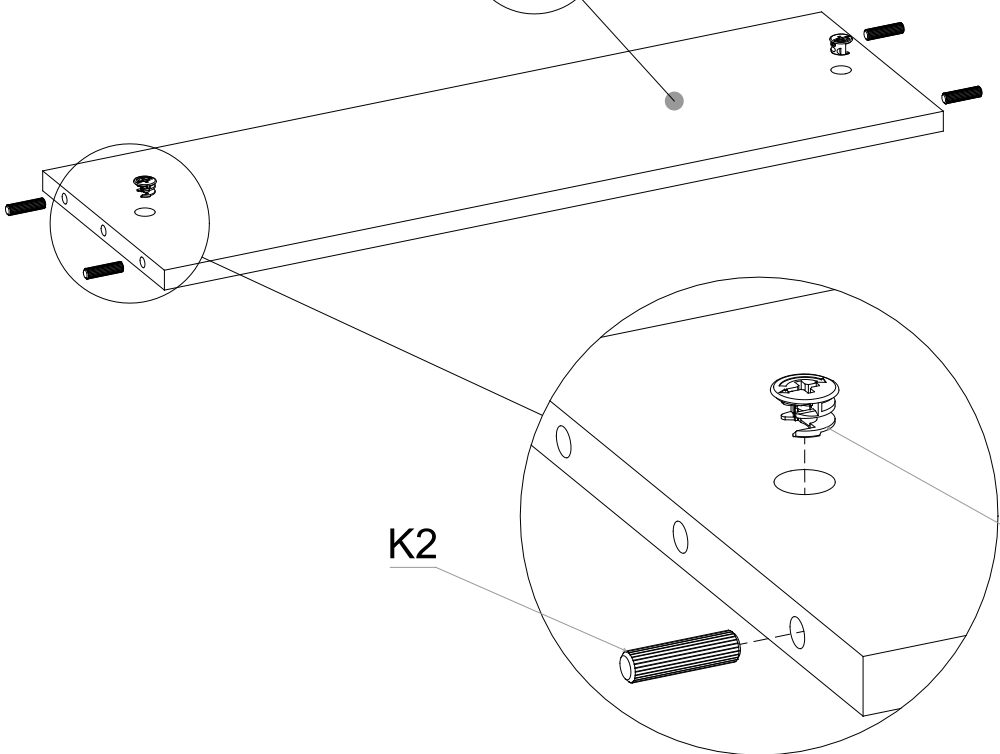
TM1



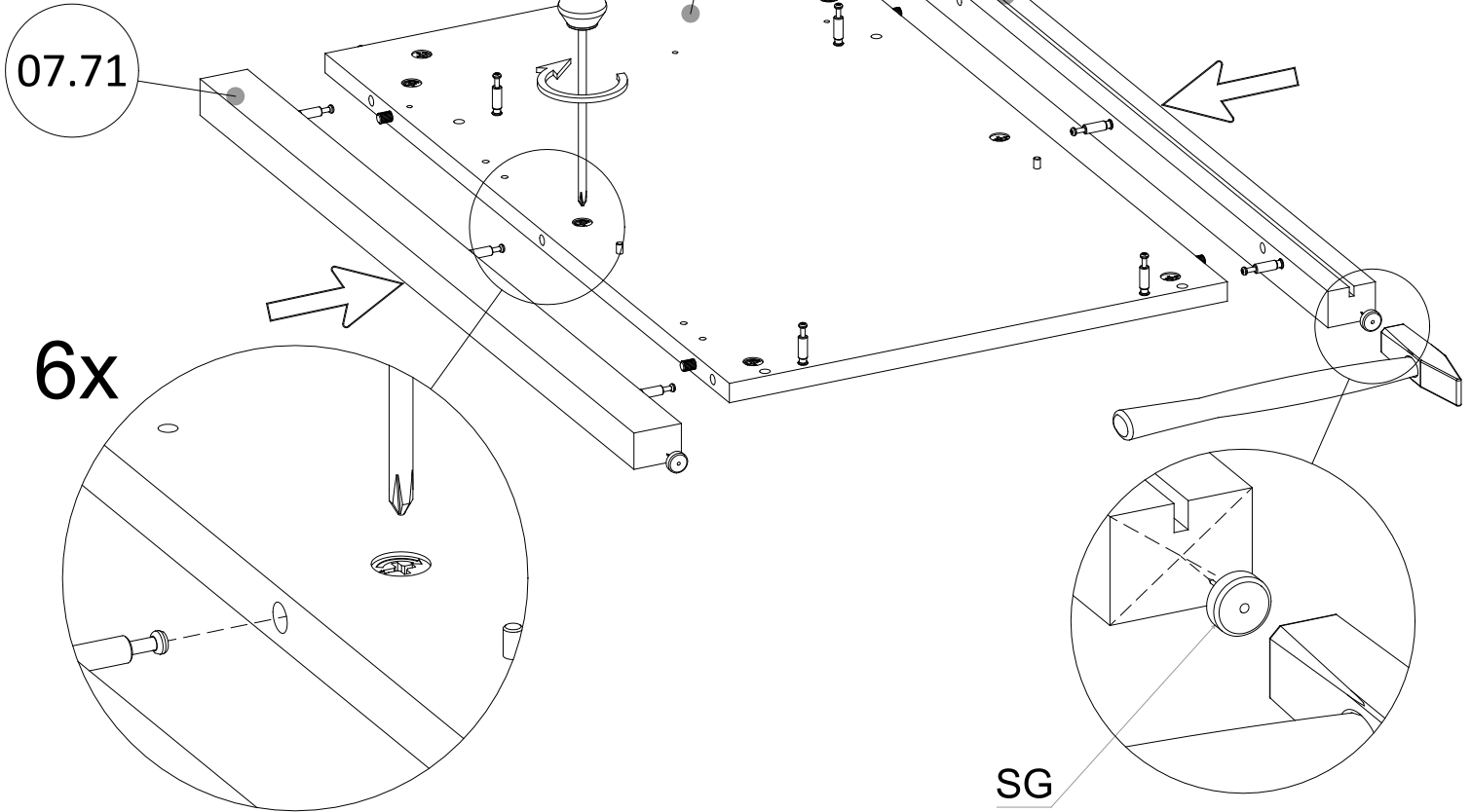
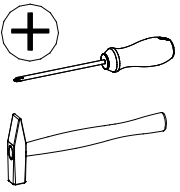
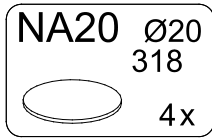
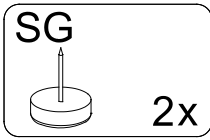
8



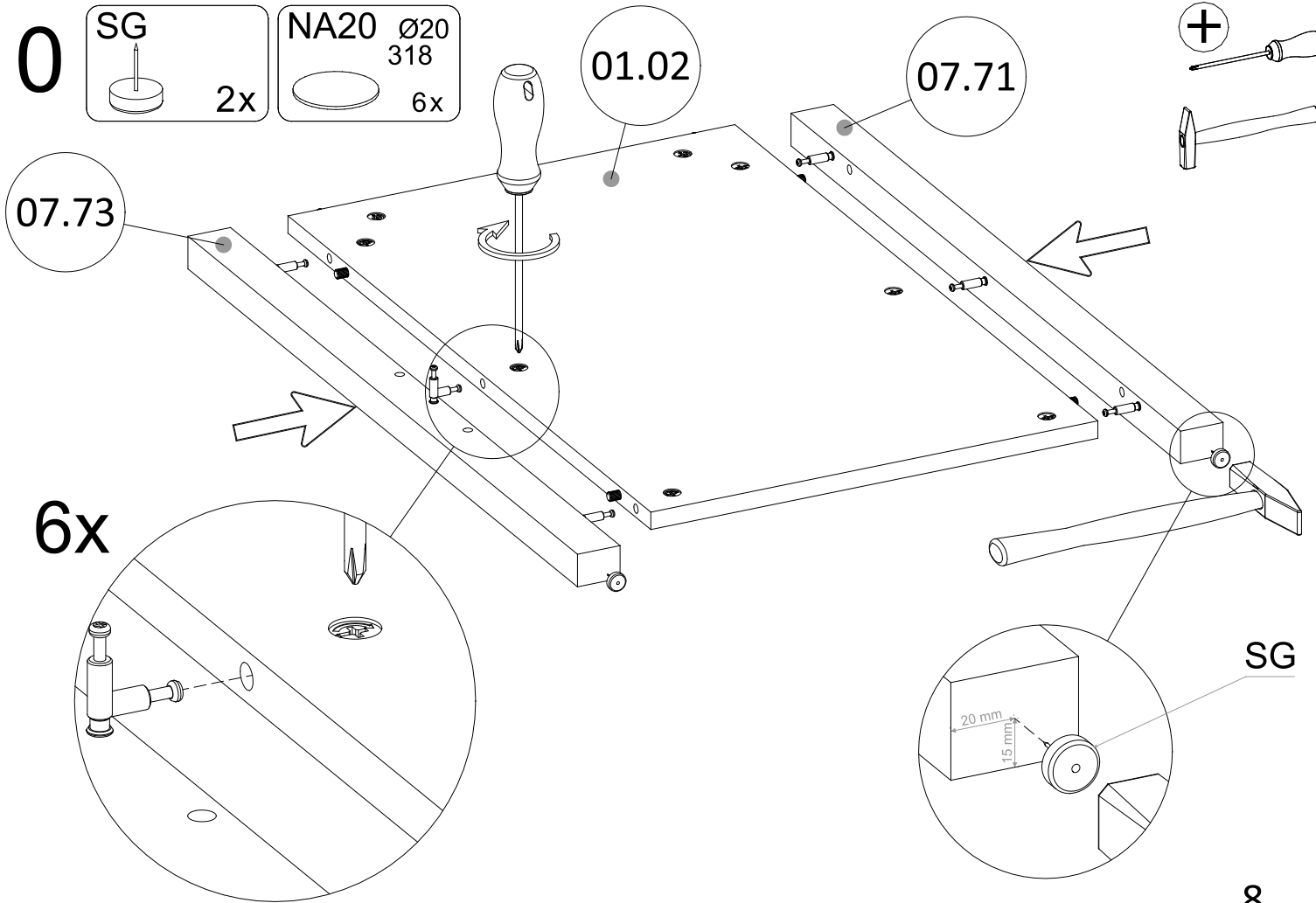
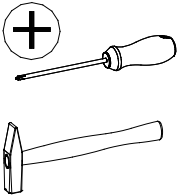
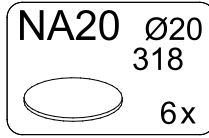
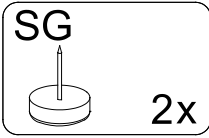
11.11



9

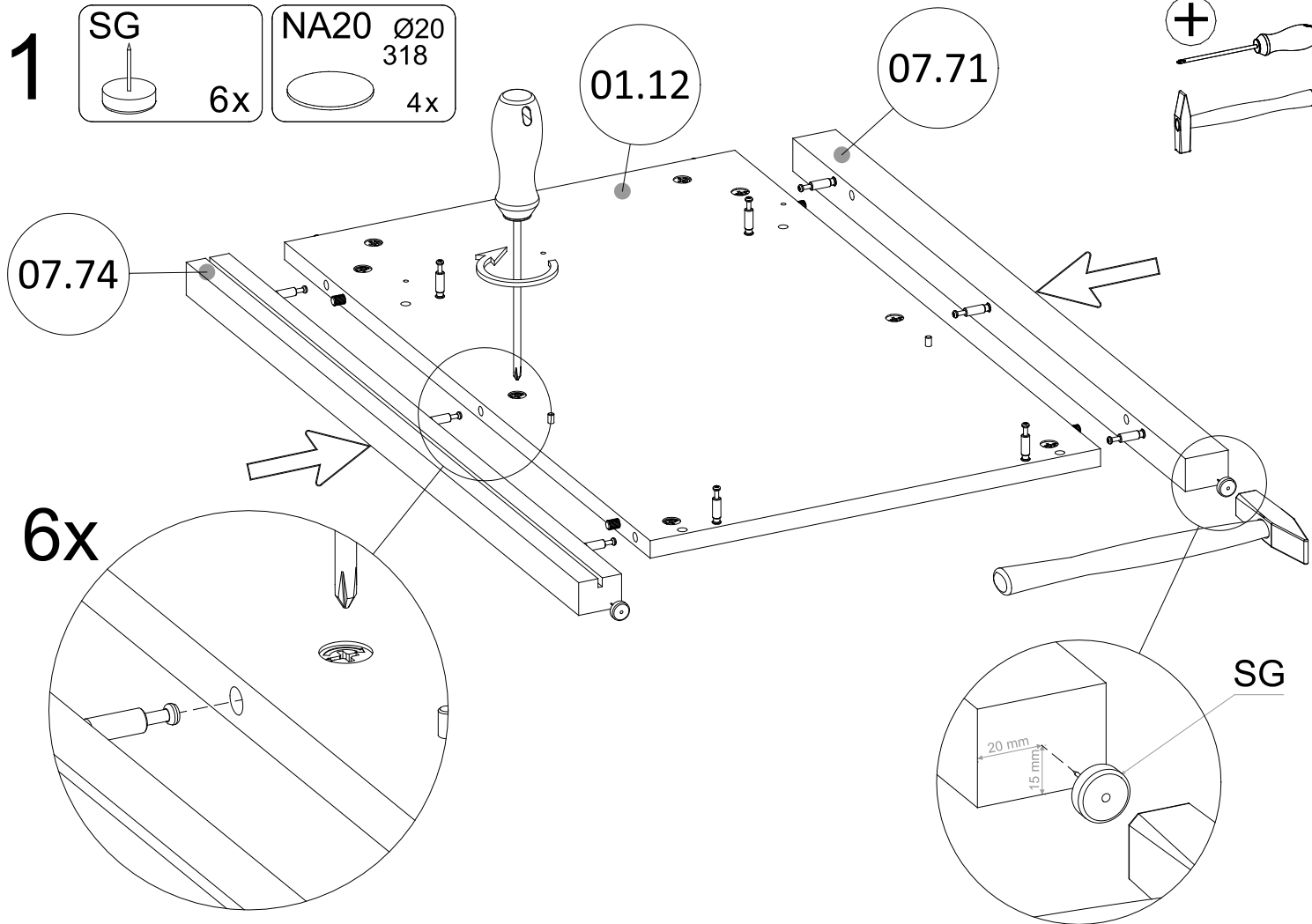
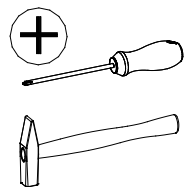
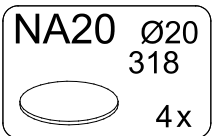
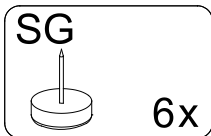


10

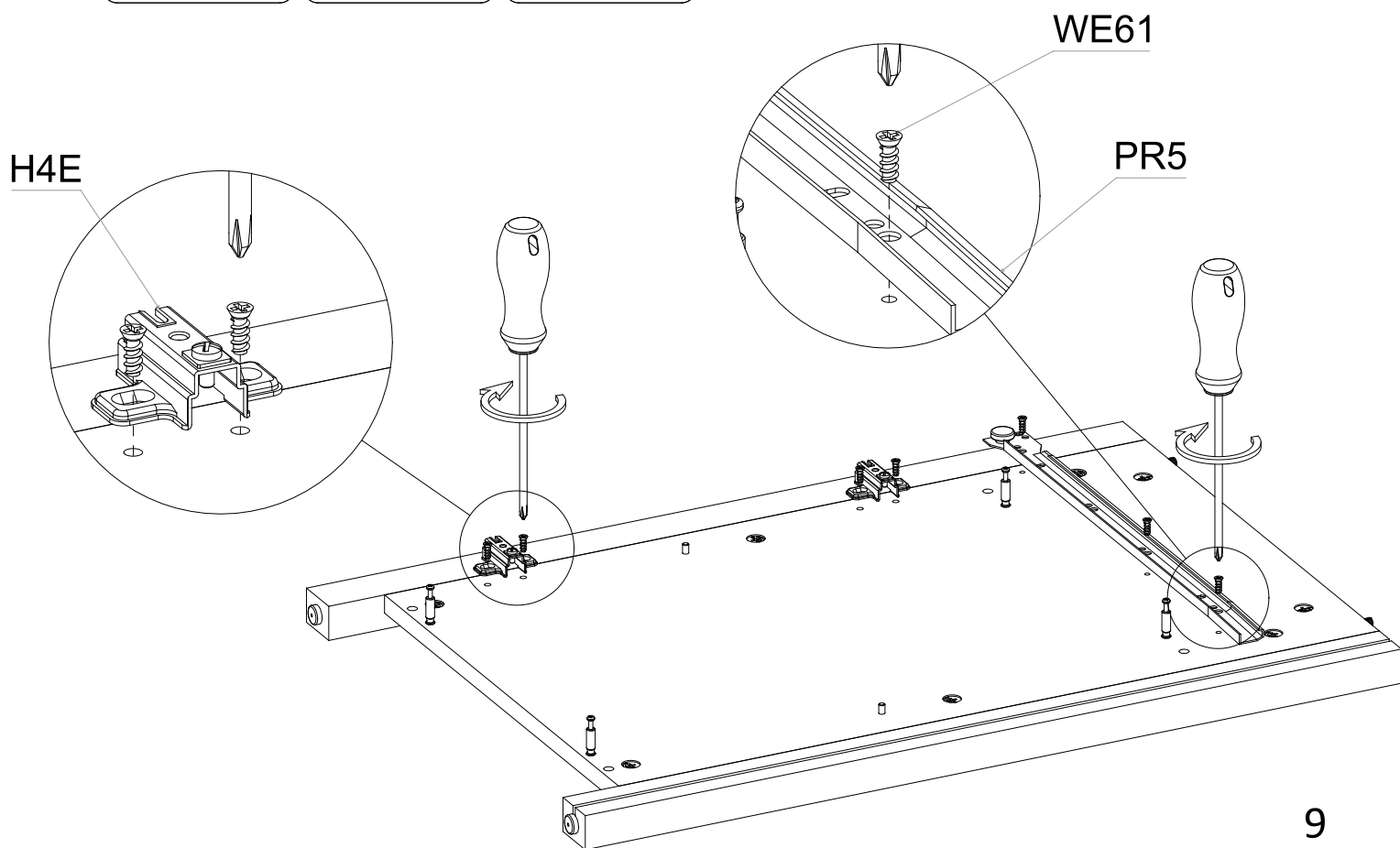
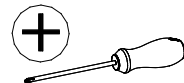
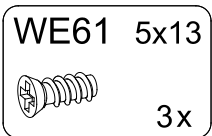
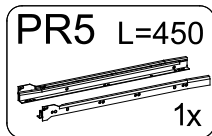
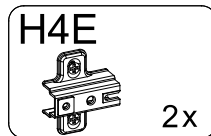




# 11



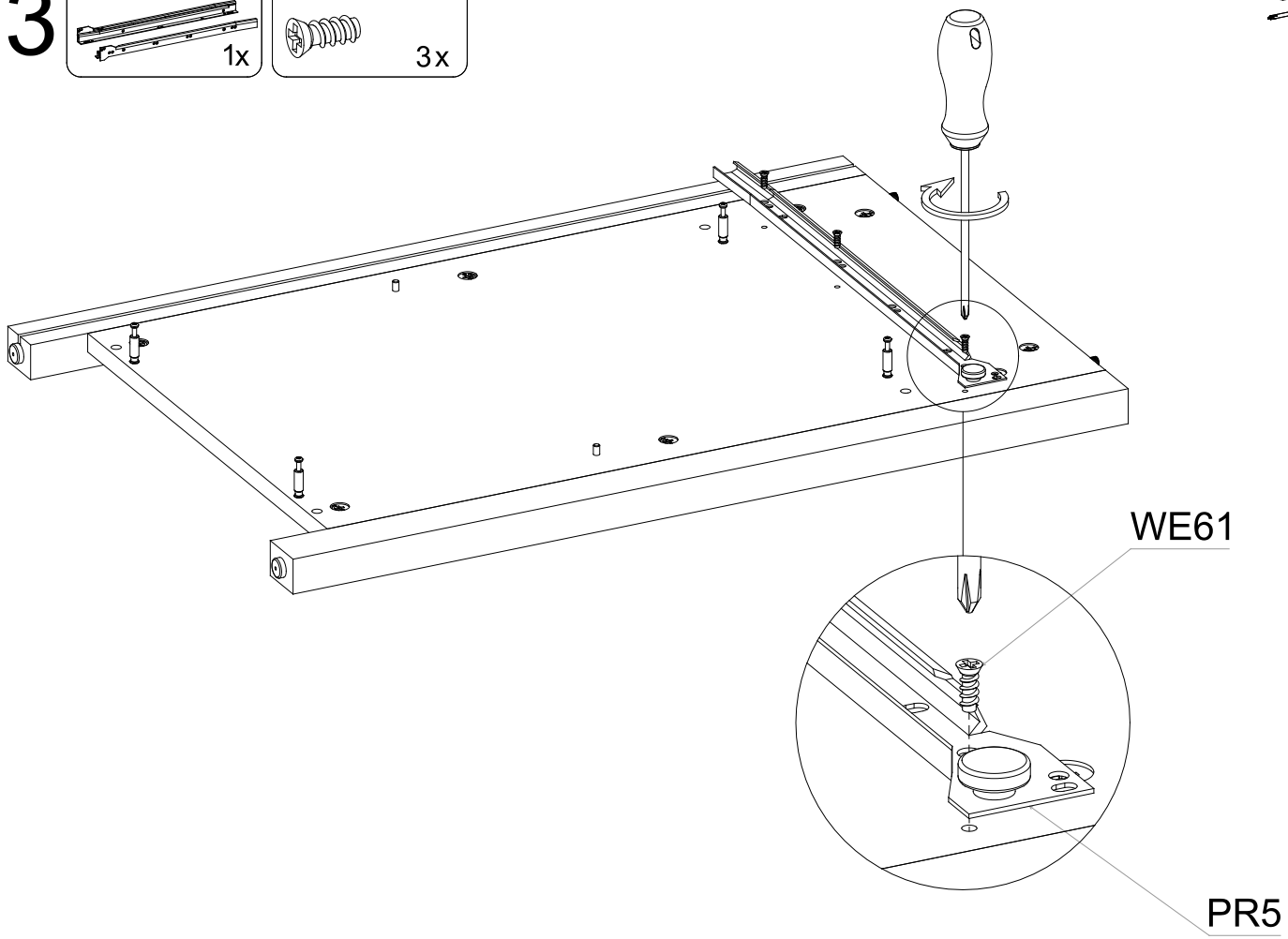
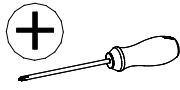
# 12



# 13

PR5 L=450  
1x

WE61 5x13  
3x



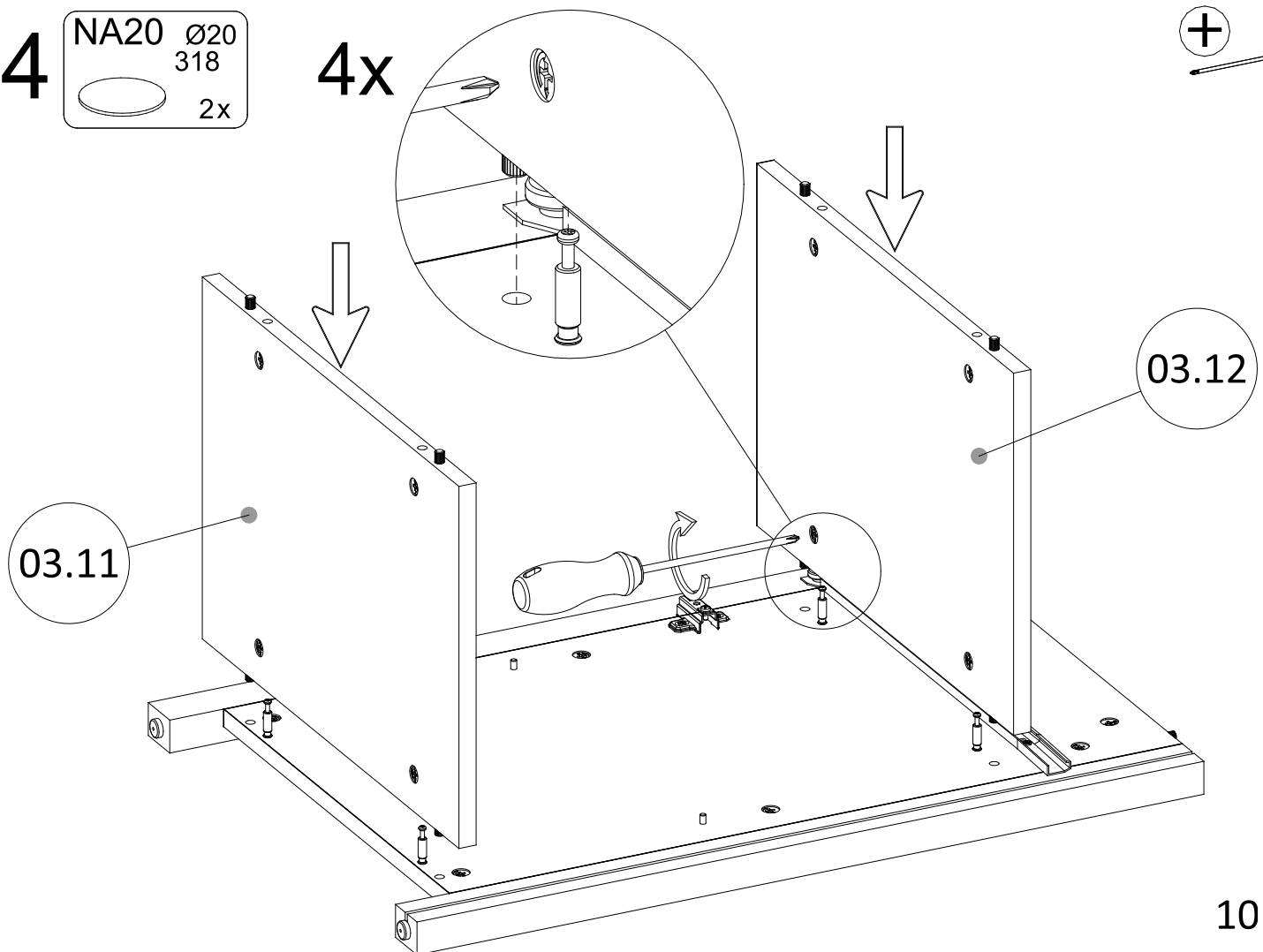
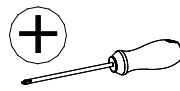
WE61

PR5

# 14

NA20 Ø20 318  
2x

4x

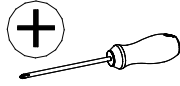


03.11

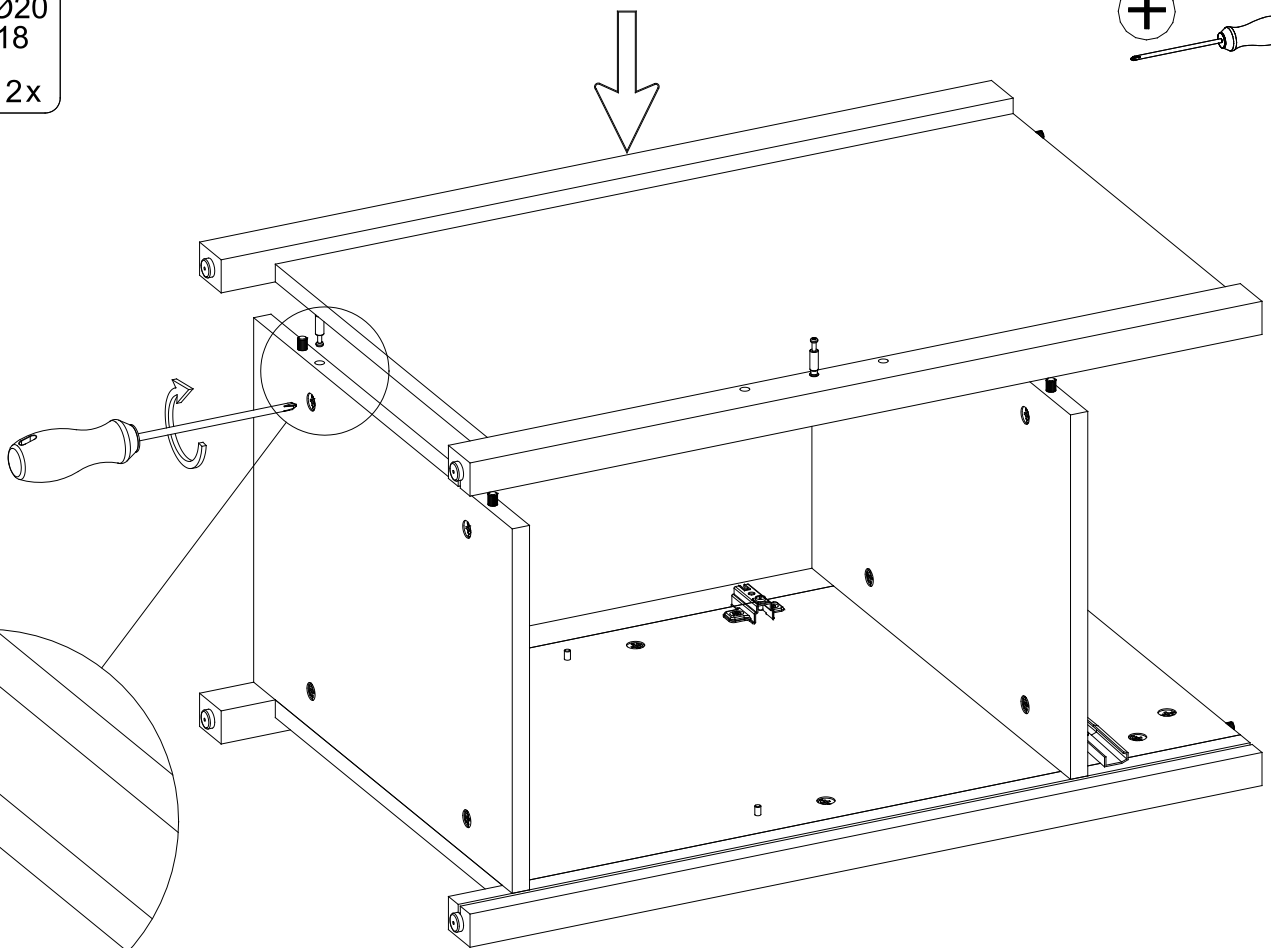
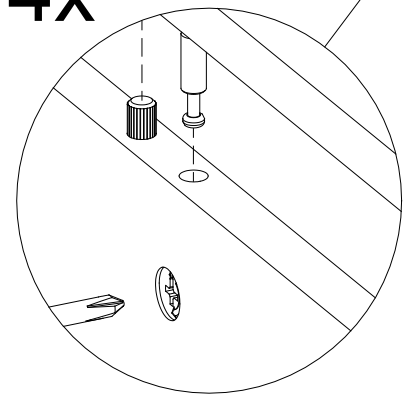
03.12

# 15

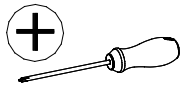
NA20 Ø20  
318  
2x



# 4x

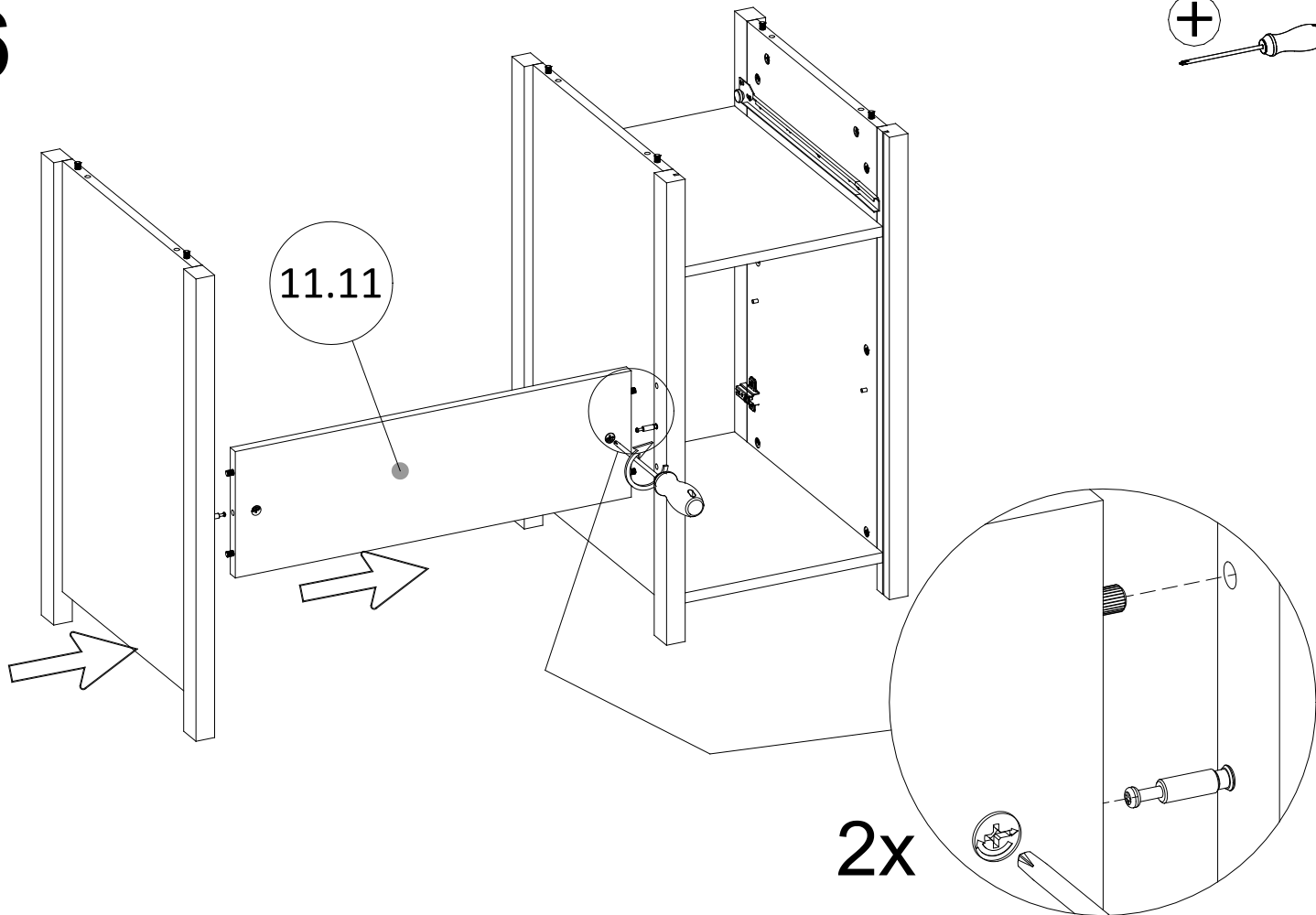


# 16



11.11

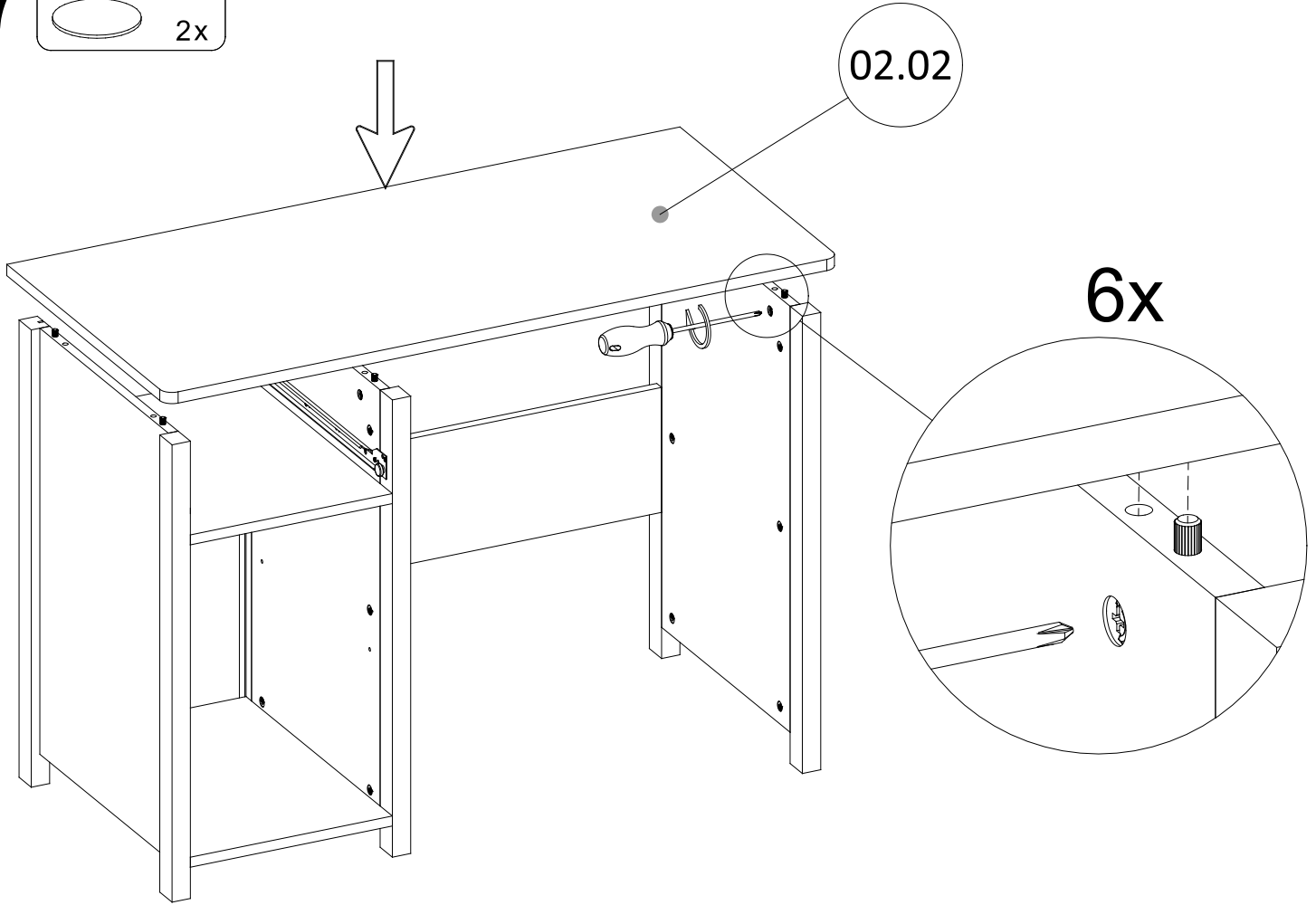
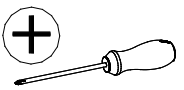
# 2x



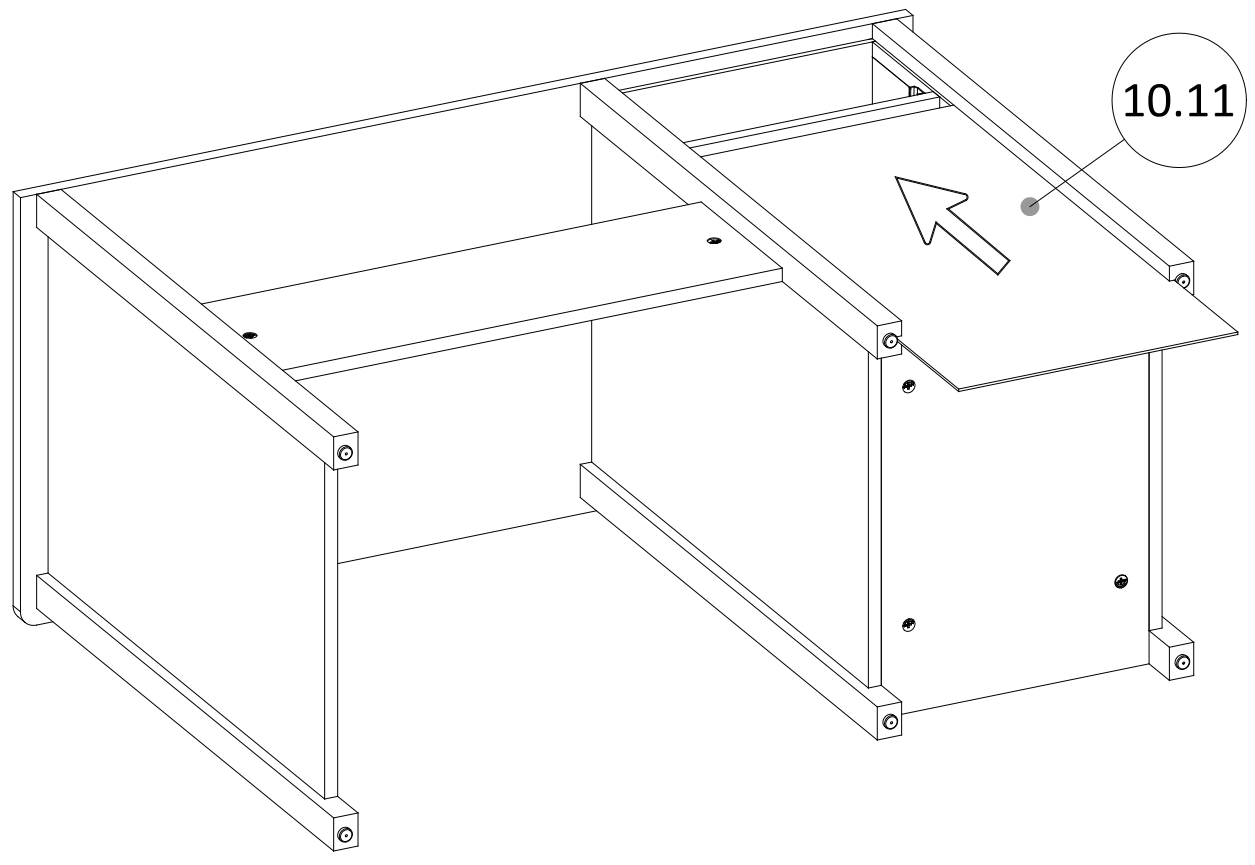
11

# 17



NA20 Ø20  
318  
2x

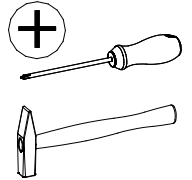


# 18



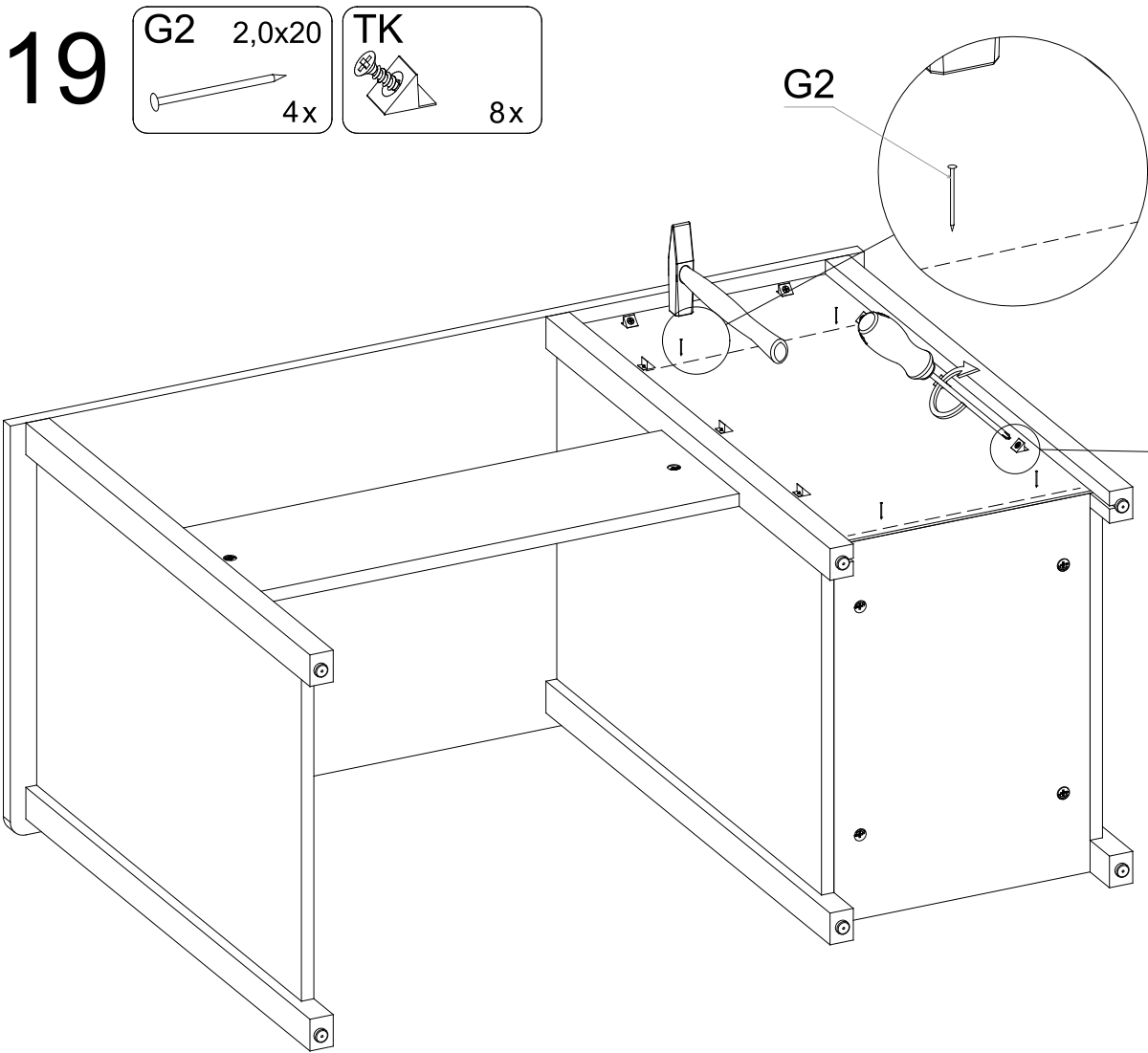
# 19

<b>G2</b> 2,0x20  4x	<b>TK</b>  8x
--	---

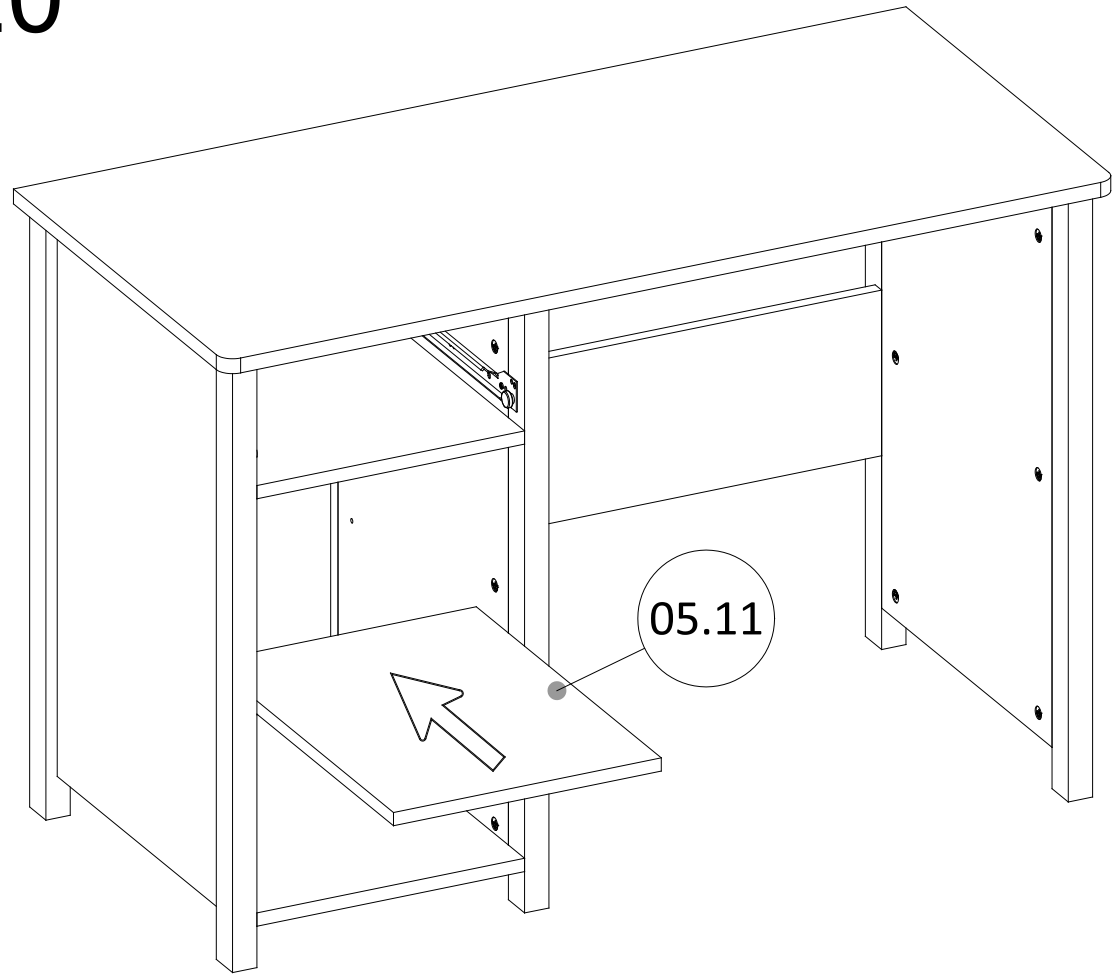


G2

TK

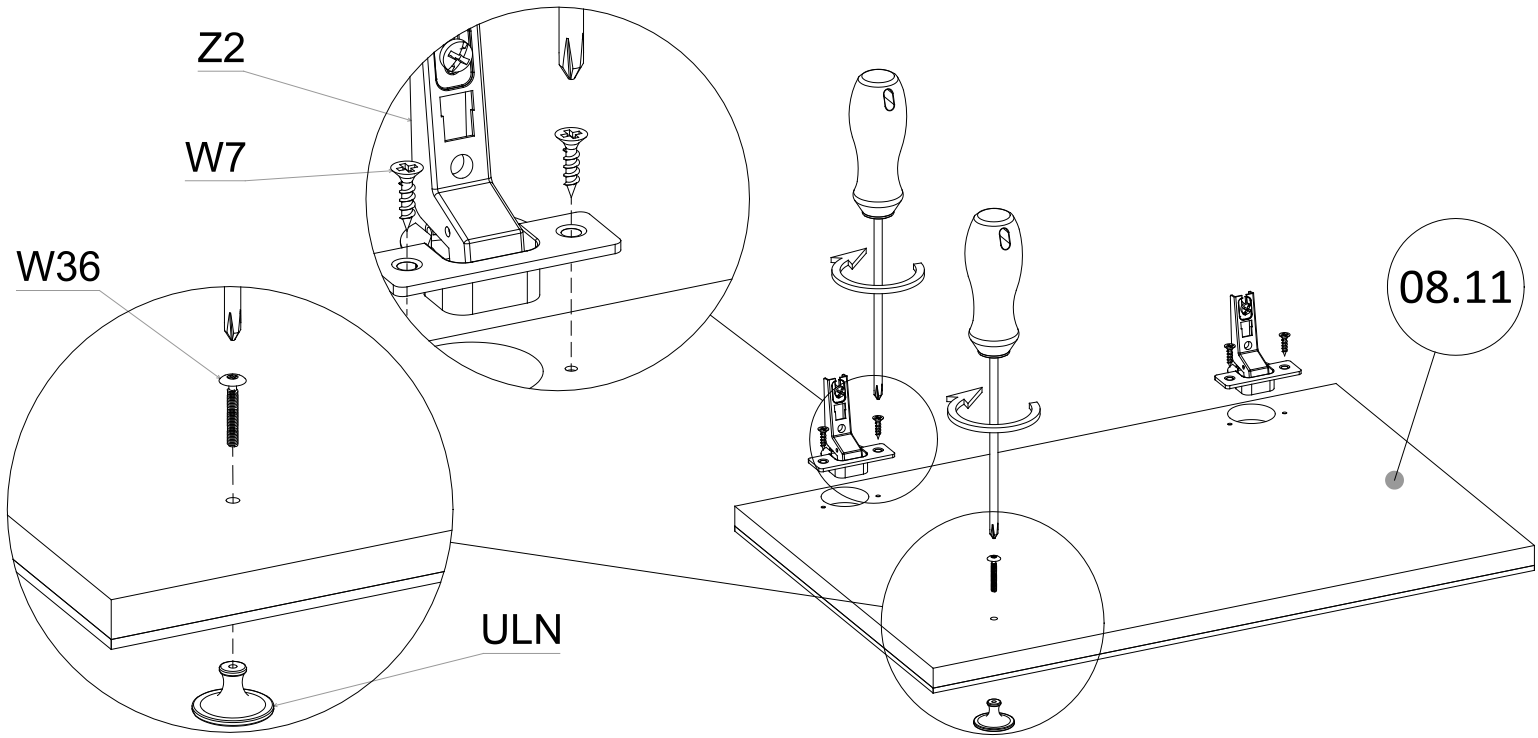
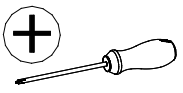
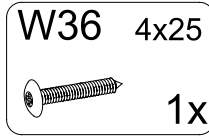
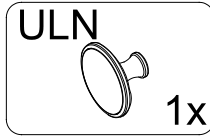
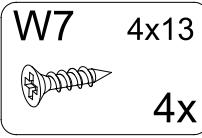
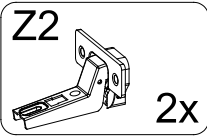


# 20

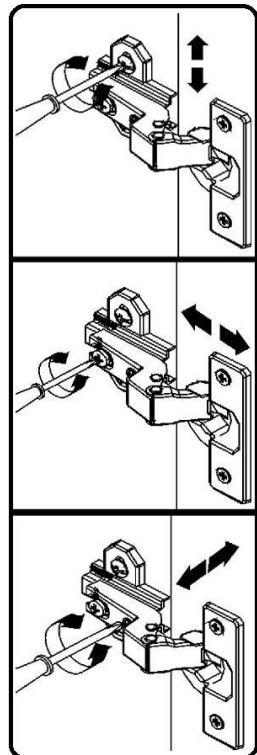
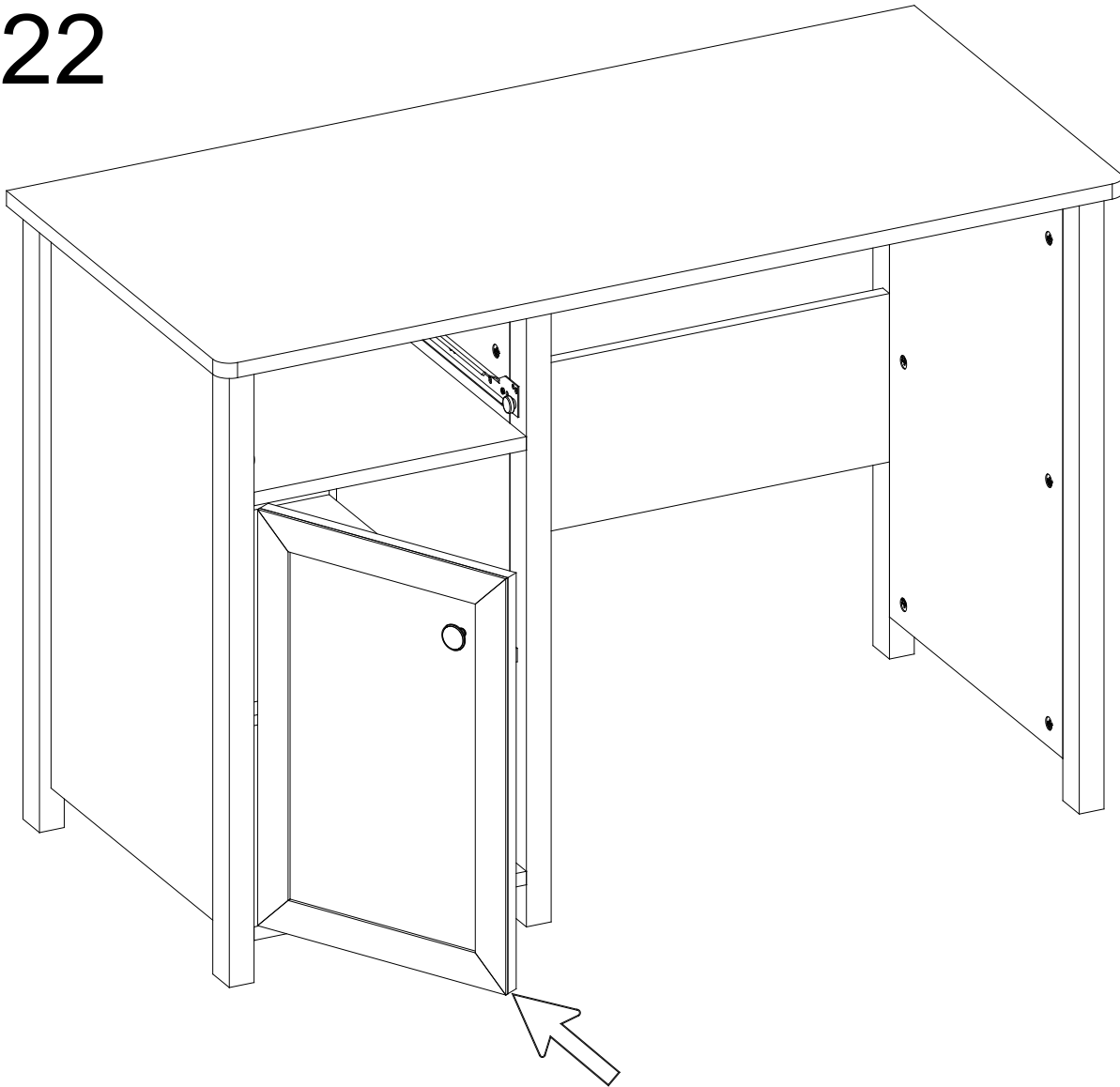
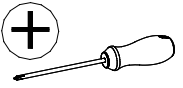


05.11

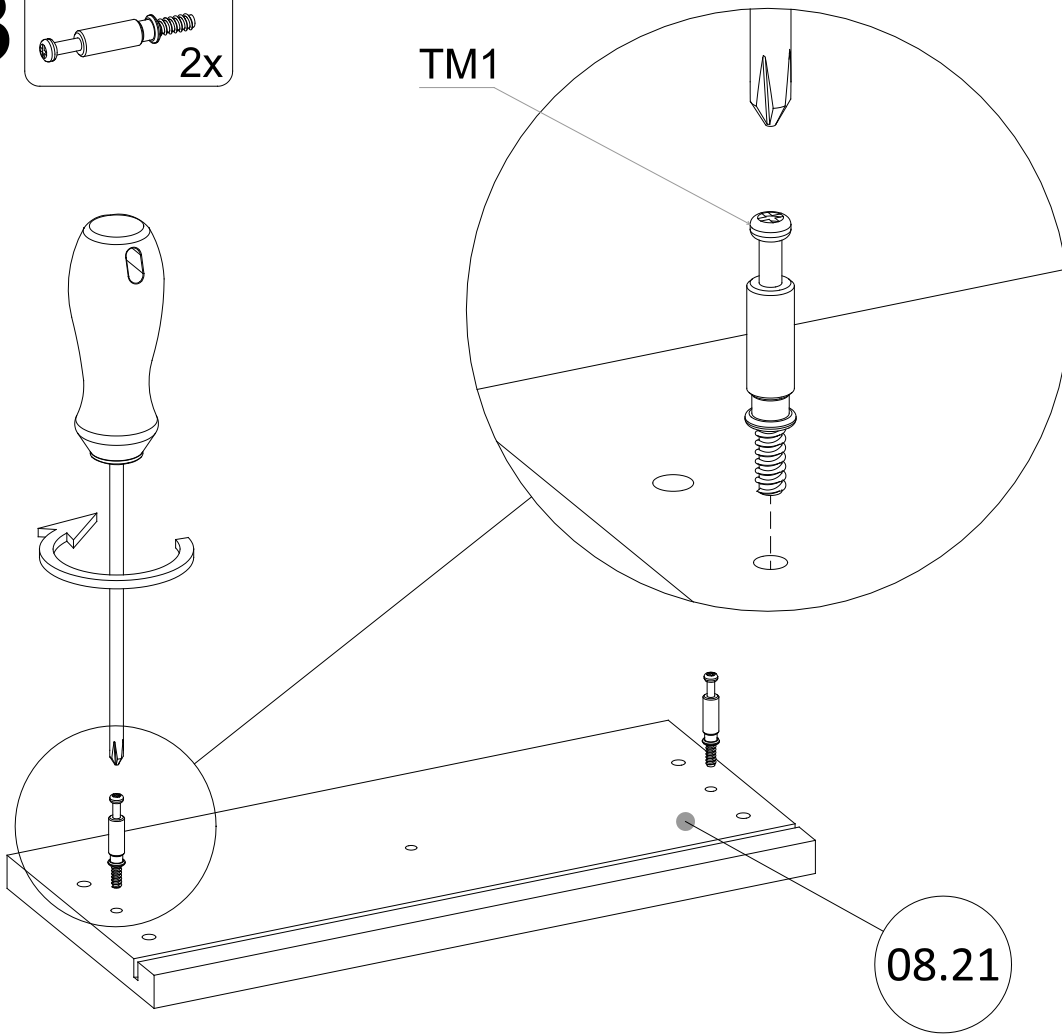
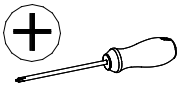
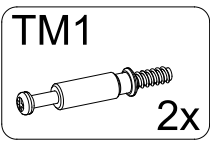
# 21



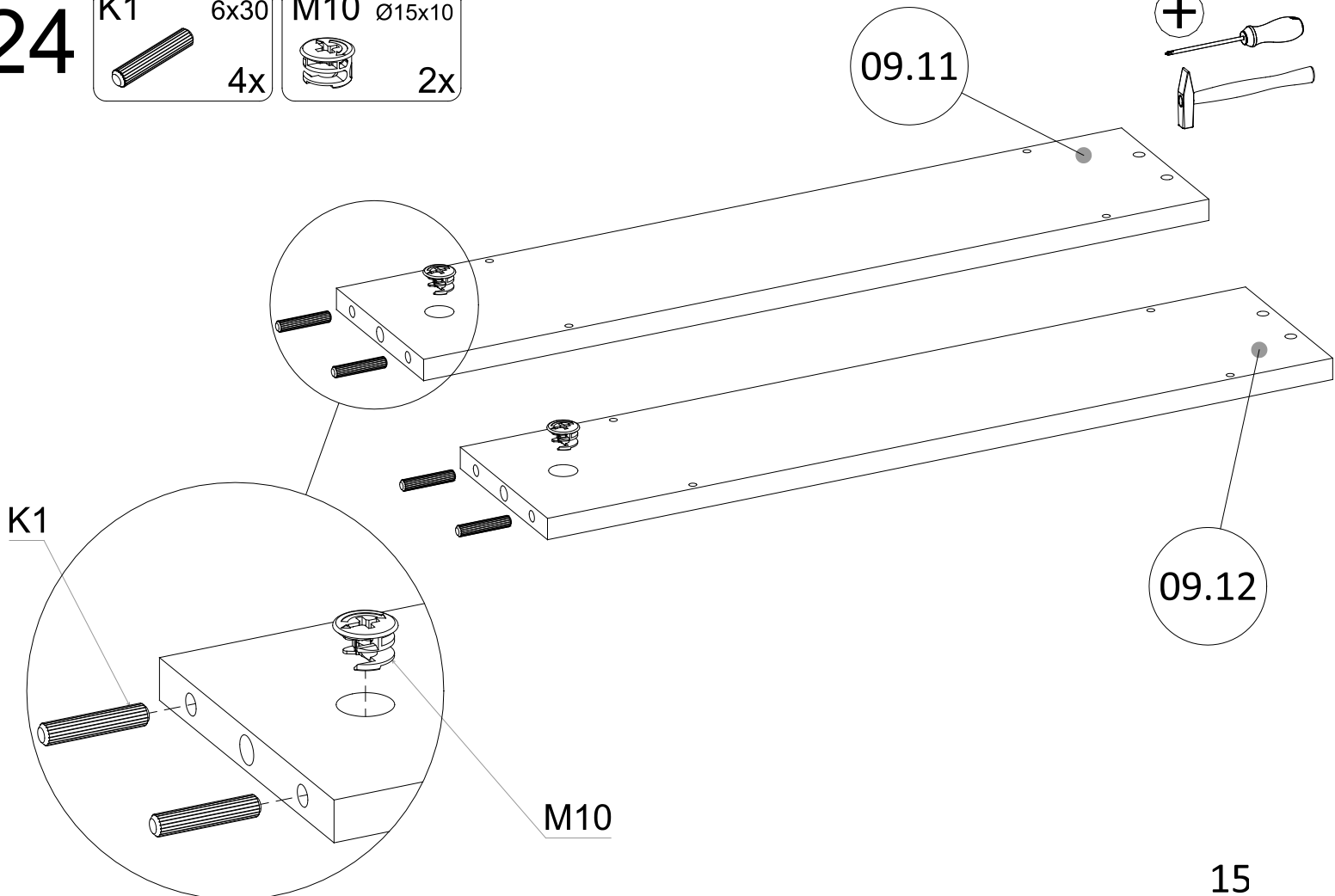
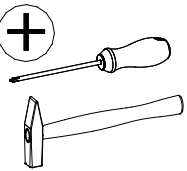
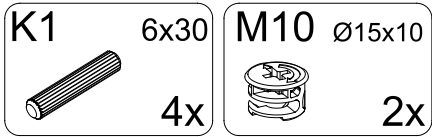
# 22



23

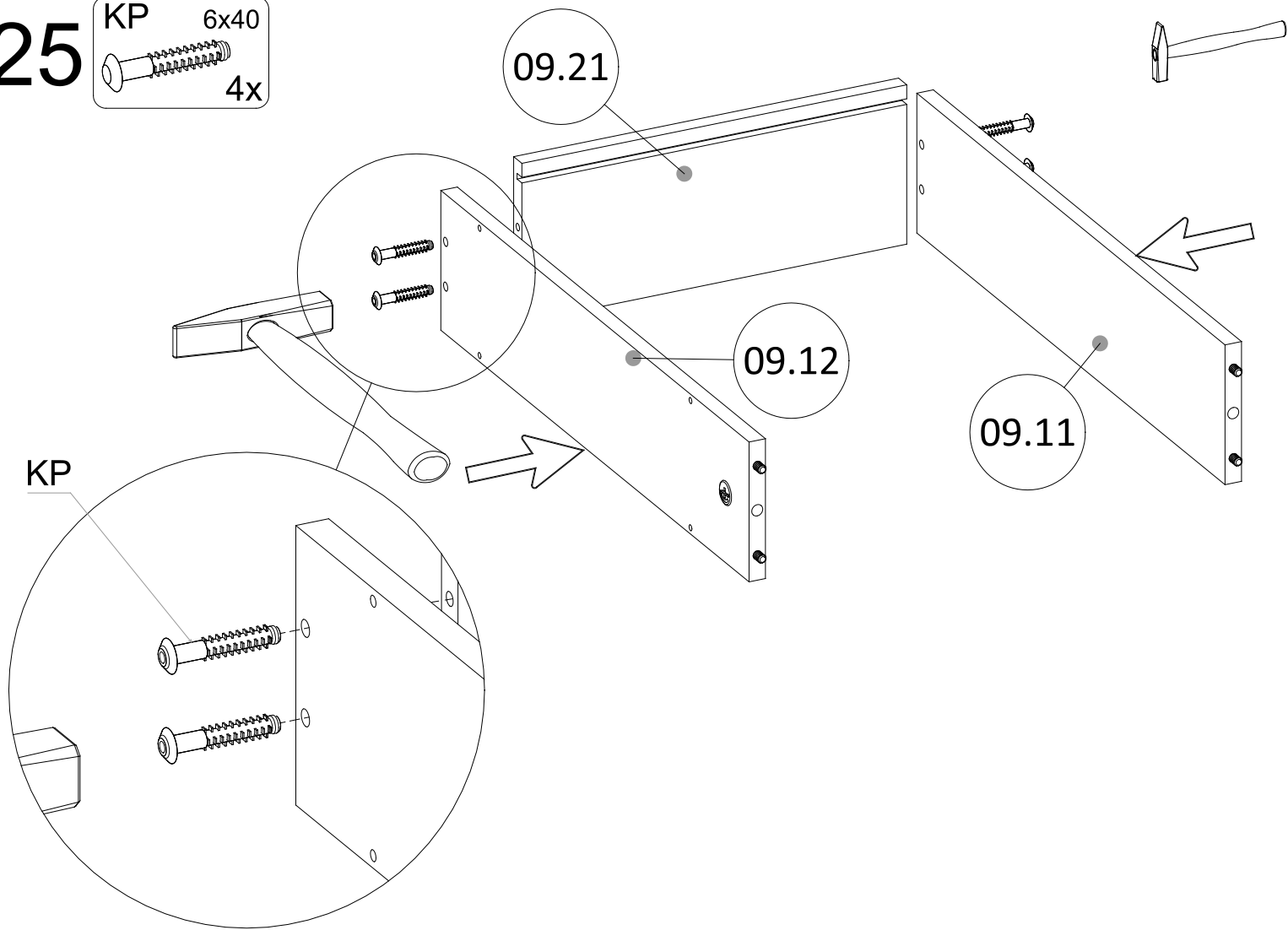


24

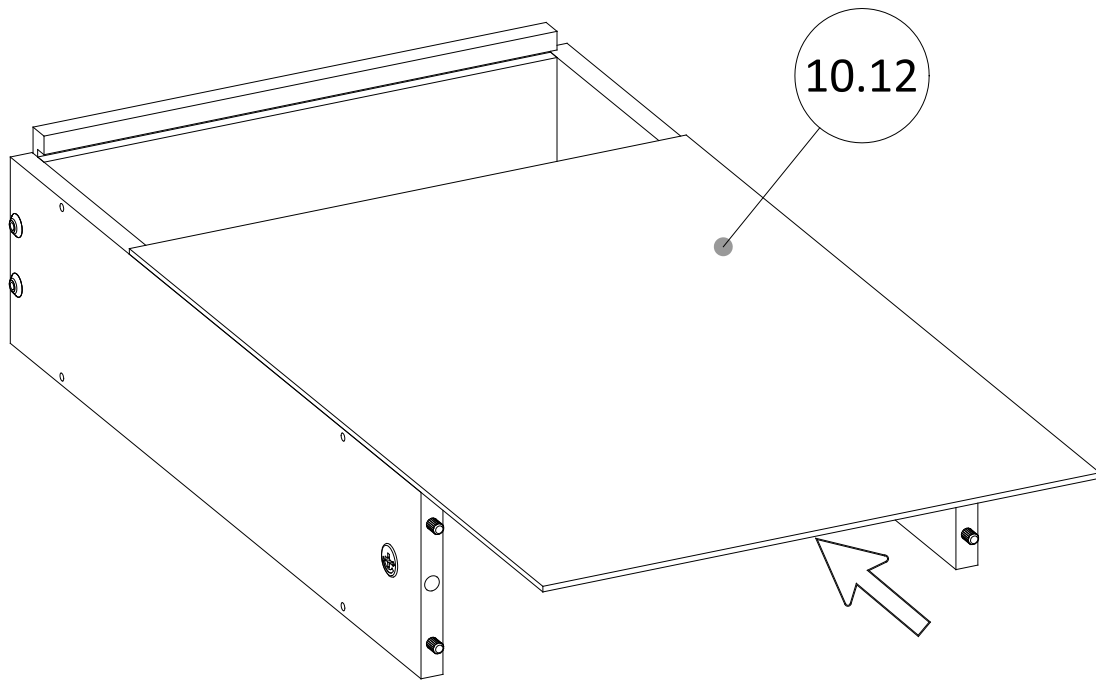


# 25

KP 6x40  
4x




# 26






# 27

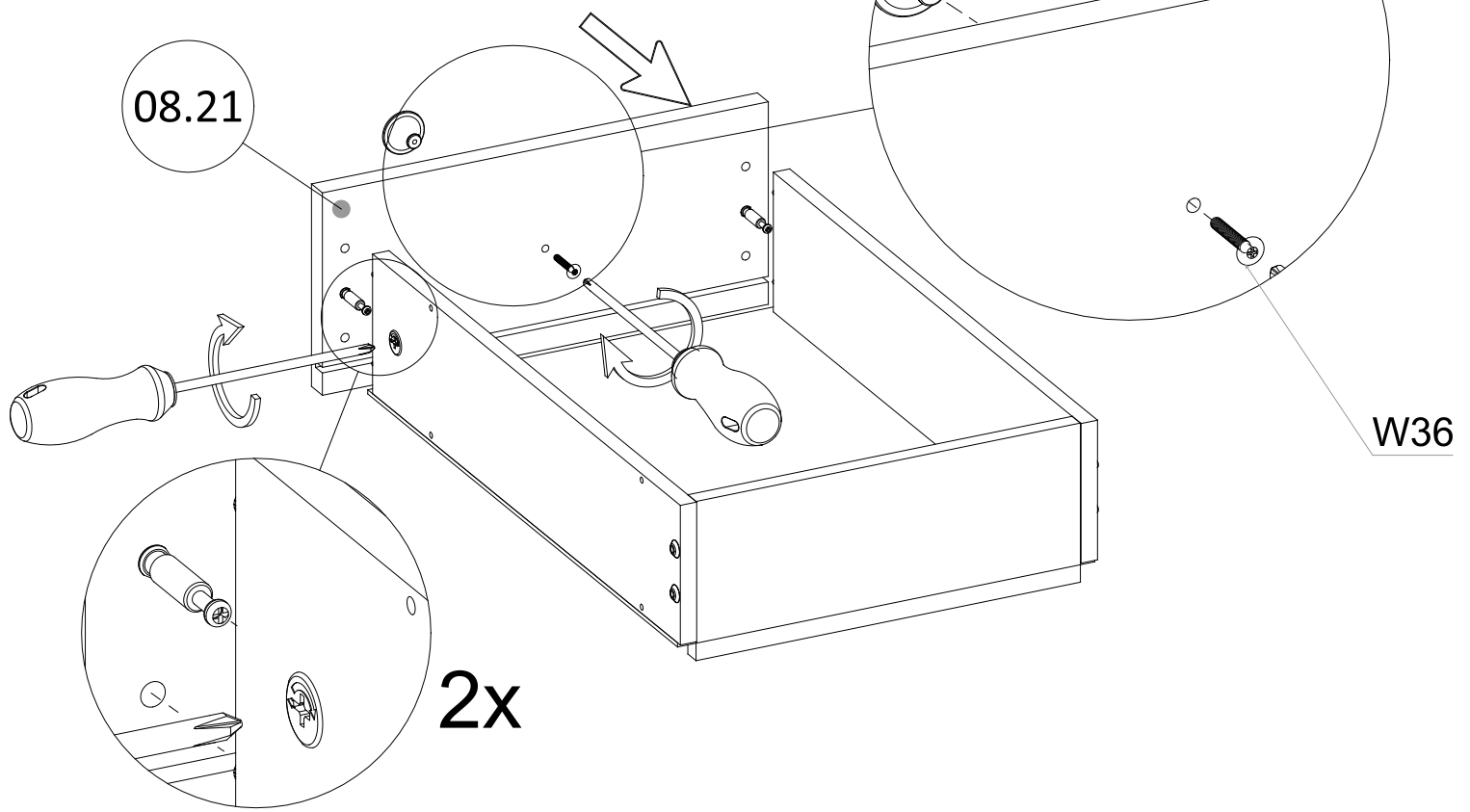
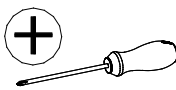

ULN 1x



W36 4x25 1x




NA20 Ø20 318 2x

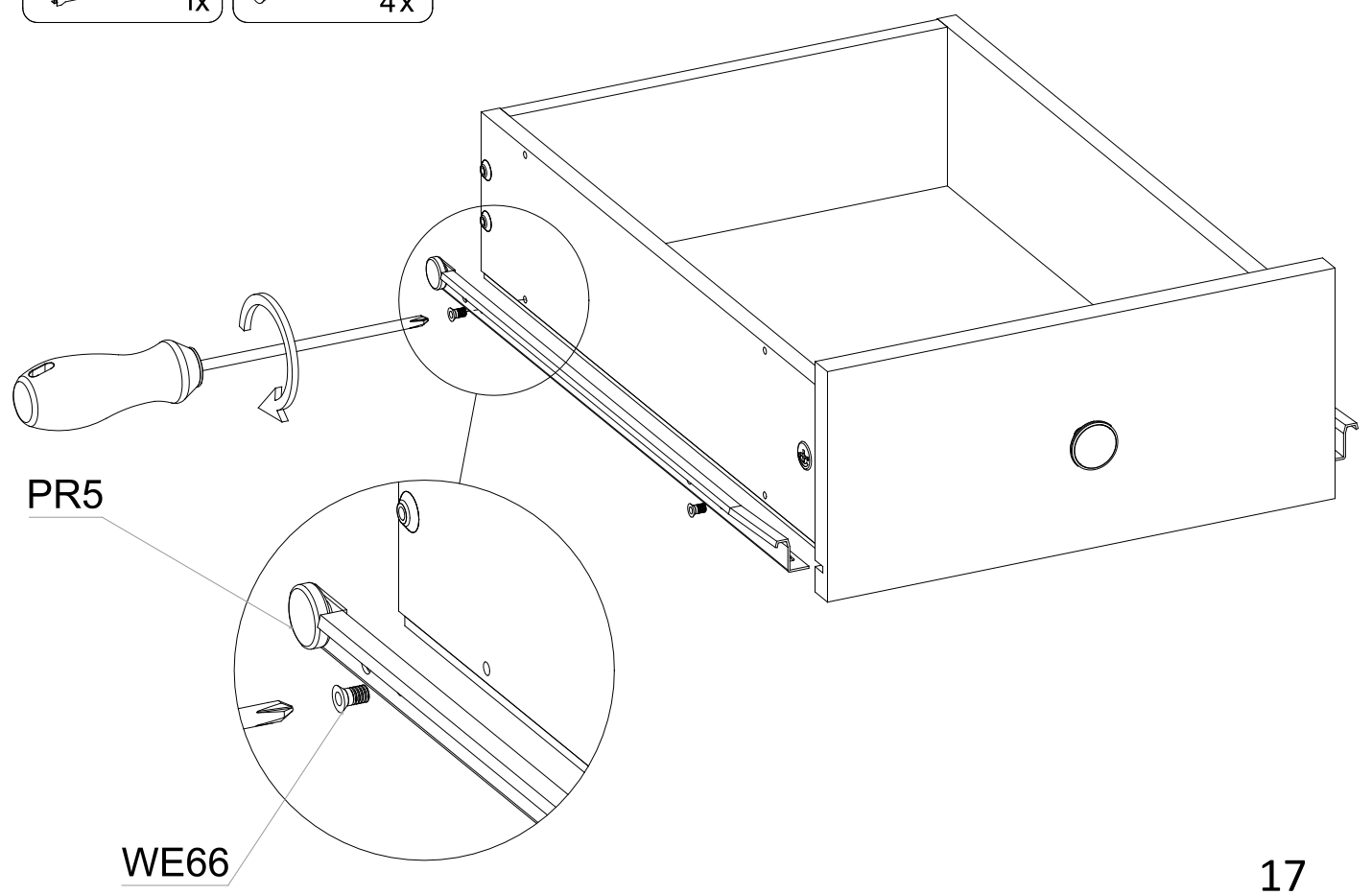
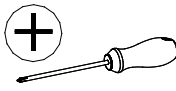



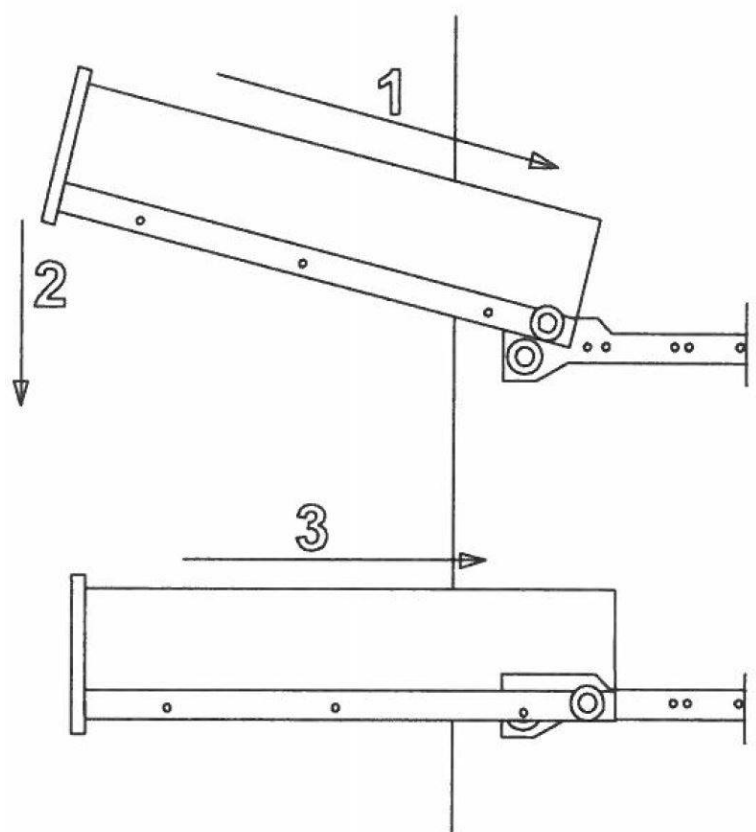
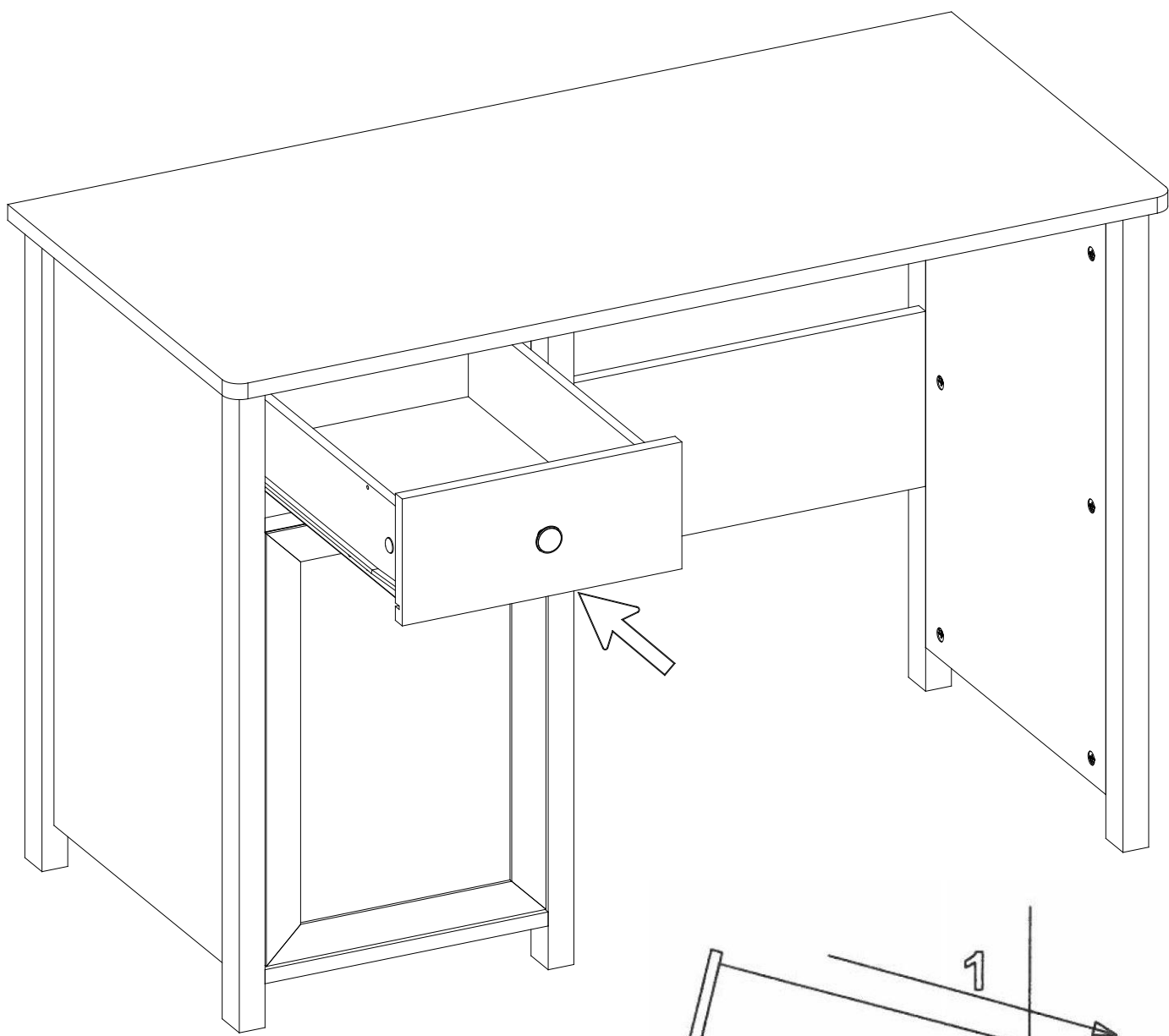
# 28

PR5 L=450 1x



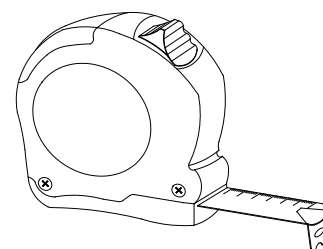
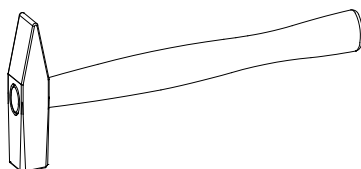
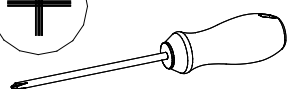
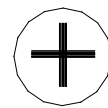
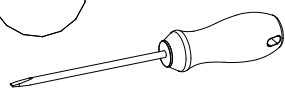
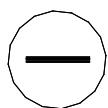
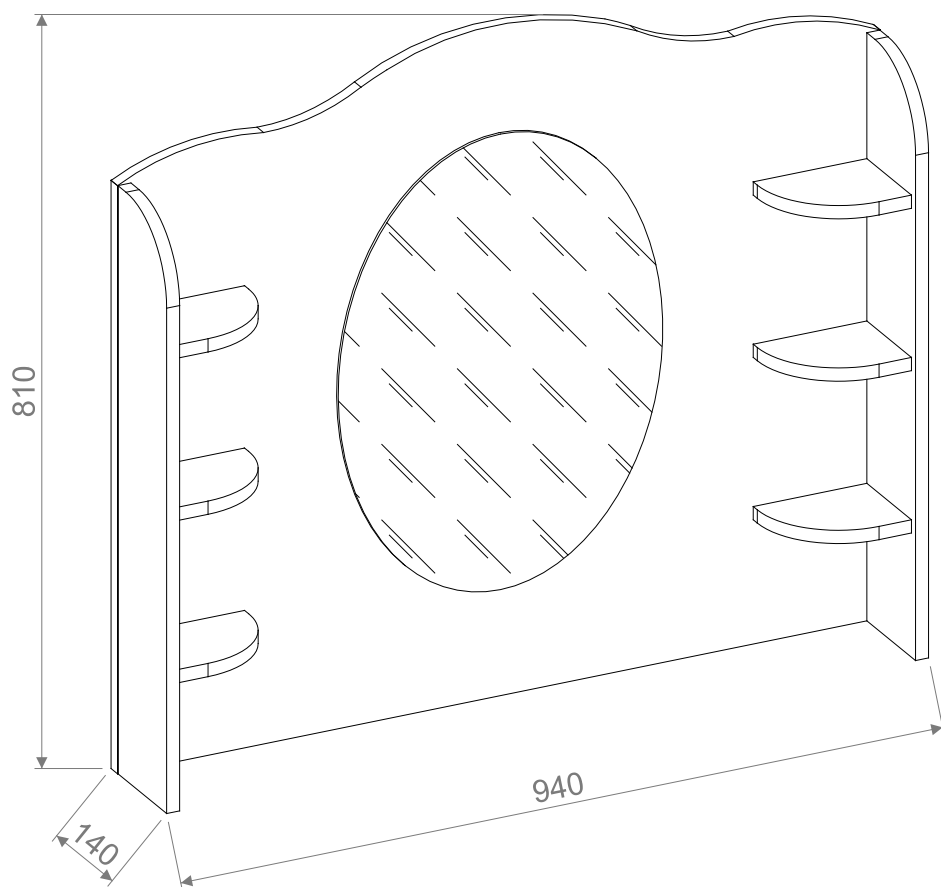
WE66 5x9 4x

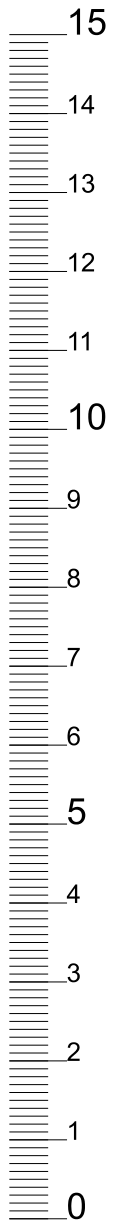




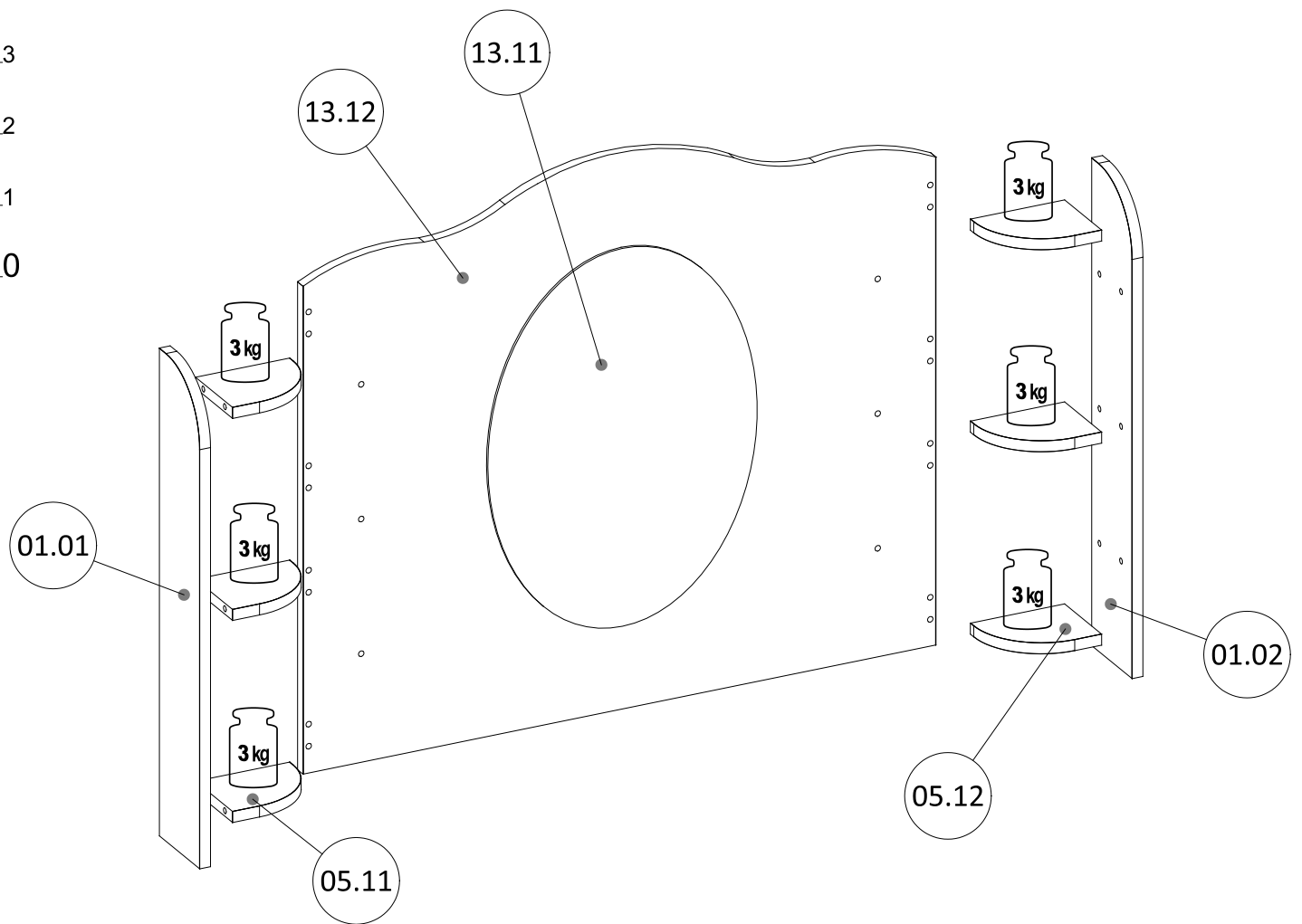


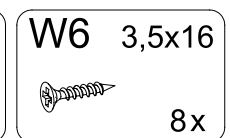
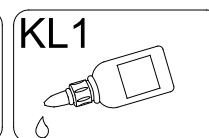
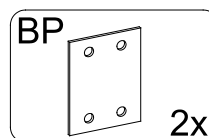
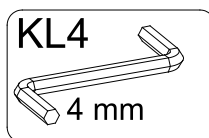
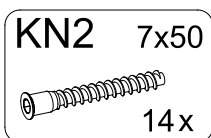
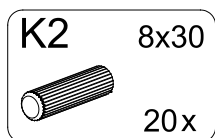
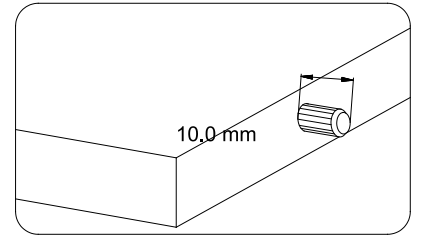
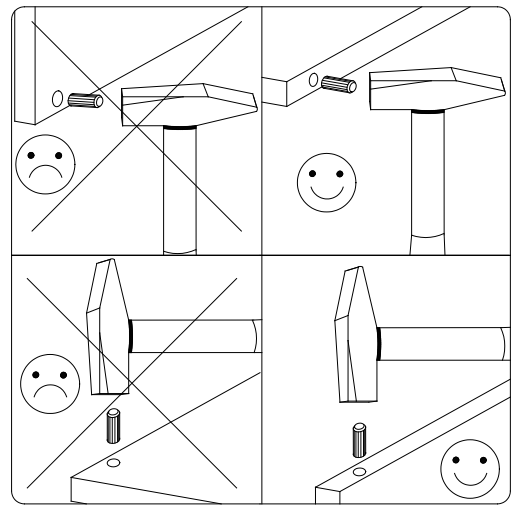
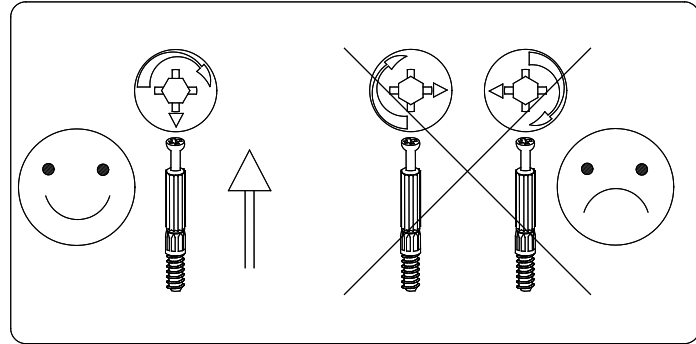
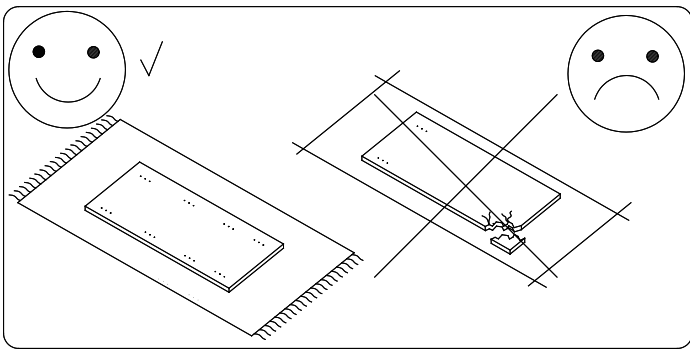
30 min



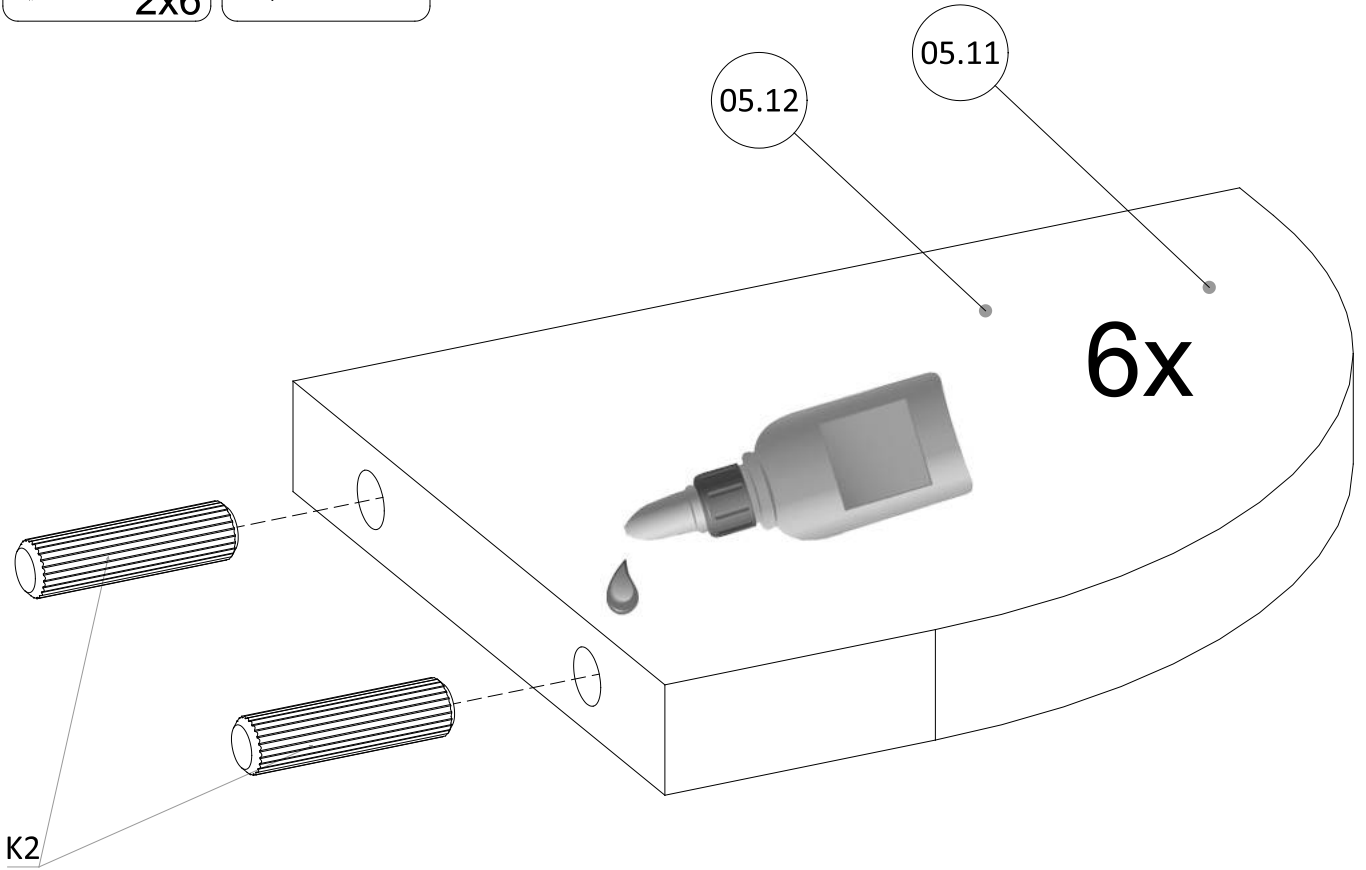
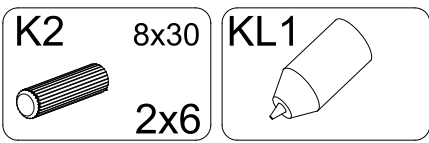


01.01	710.0	120.0	1	1/1
01.02	710.0	120.0	1	1/1
05.11	140.0	110.0	3	1/1
05.12	140.0	110.0	3	1/1
13.12	810.0	940.0	1	1/1

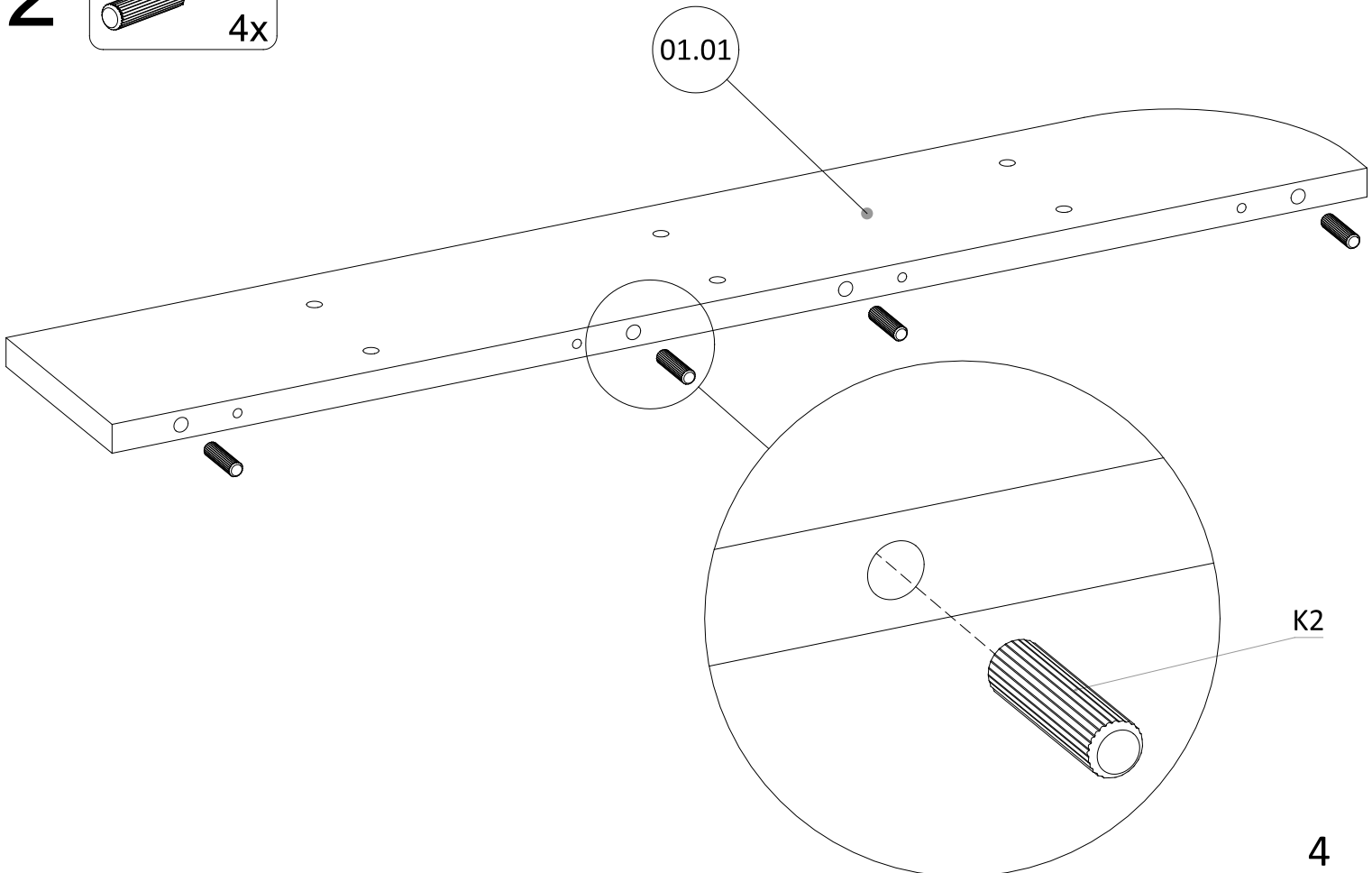
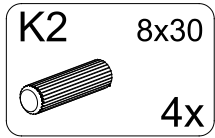




1

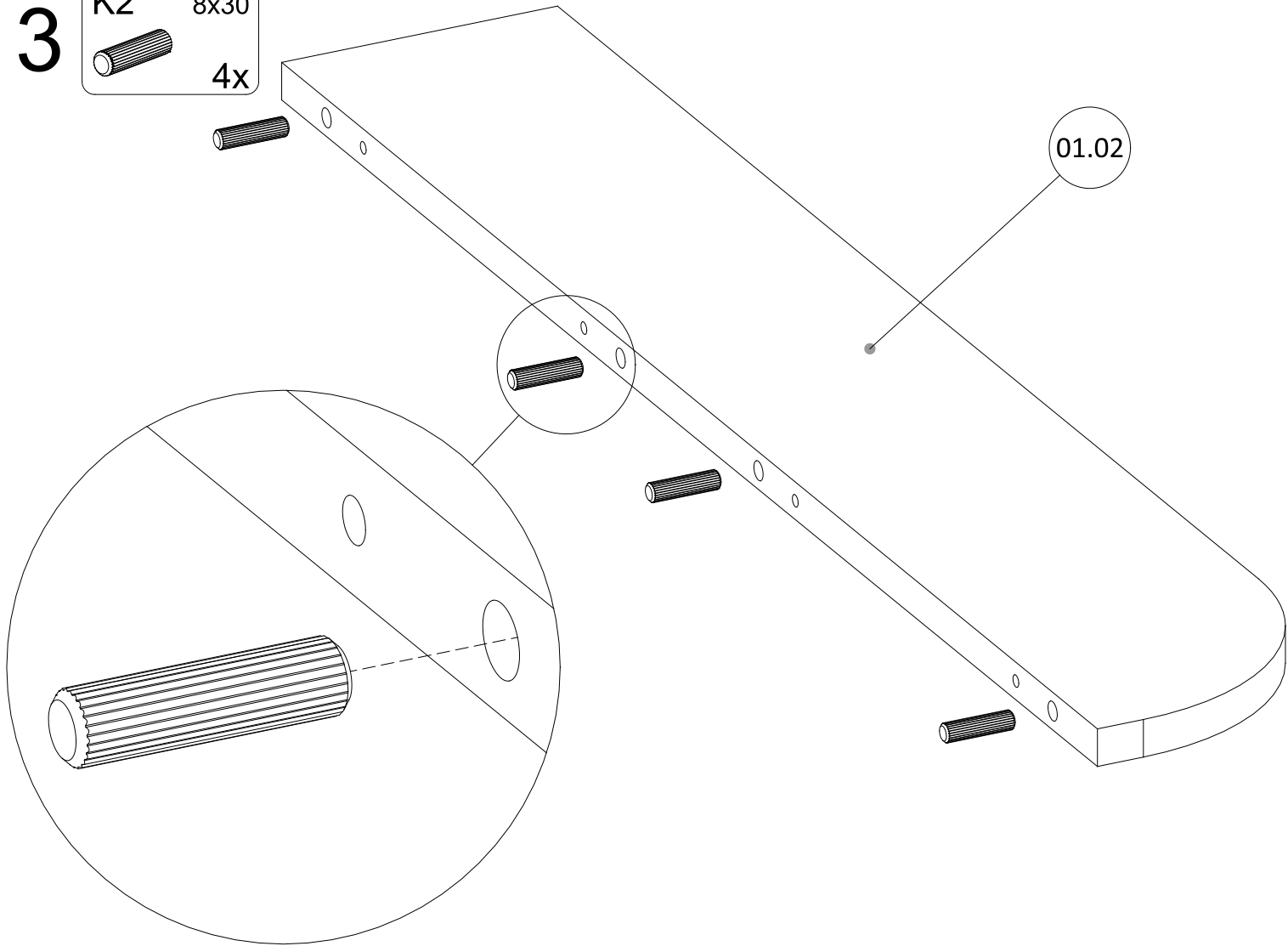


2



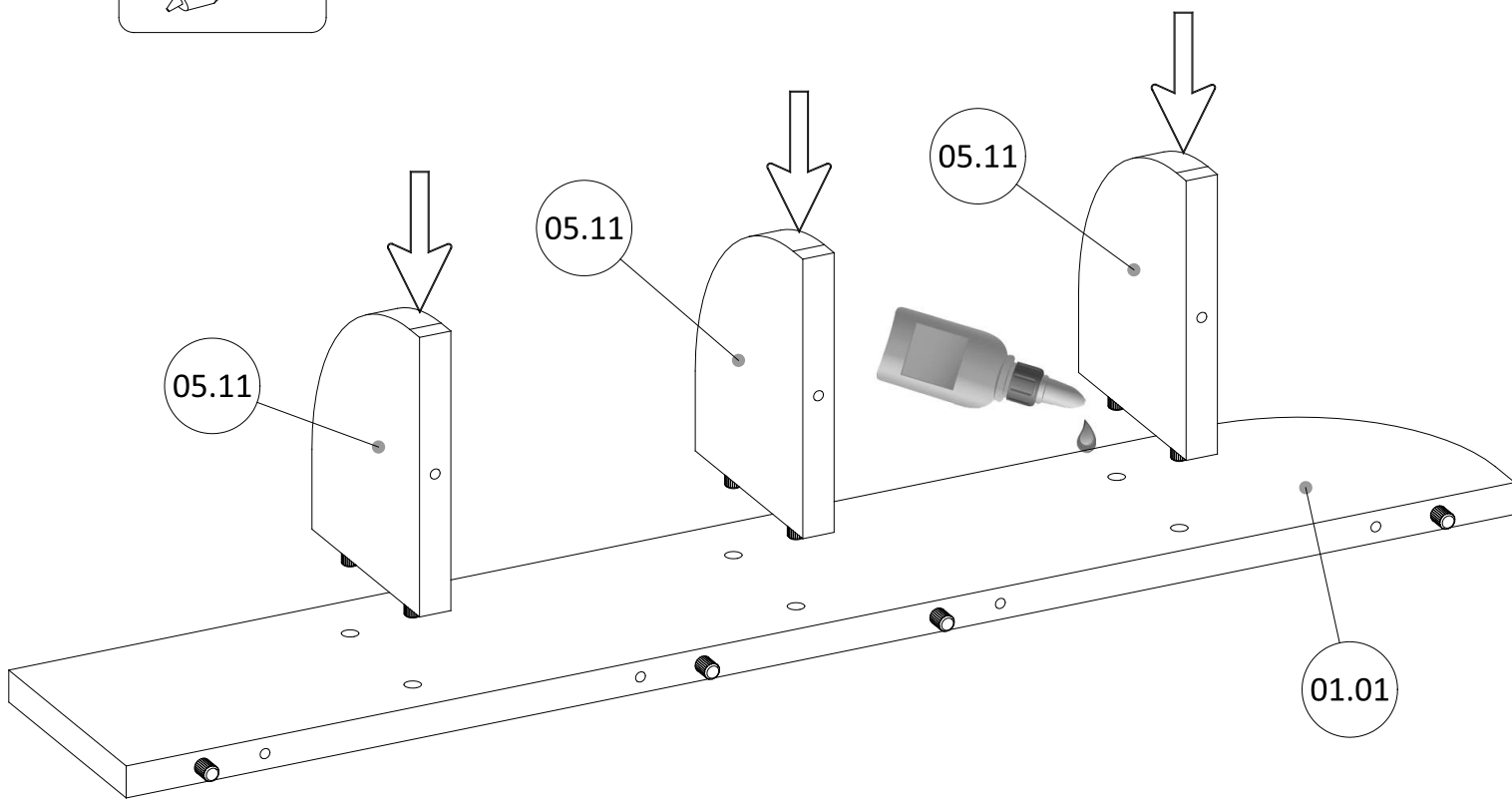
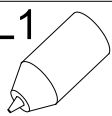
3

K2 8x30  
4x

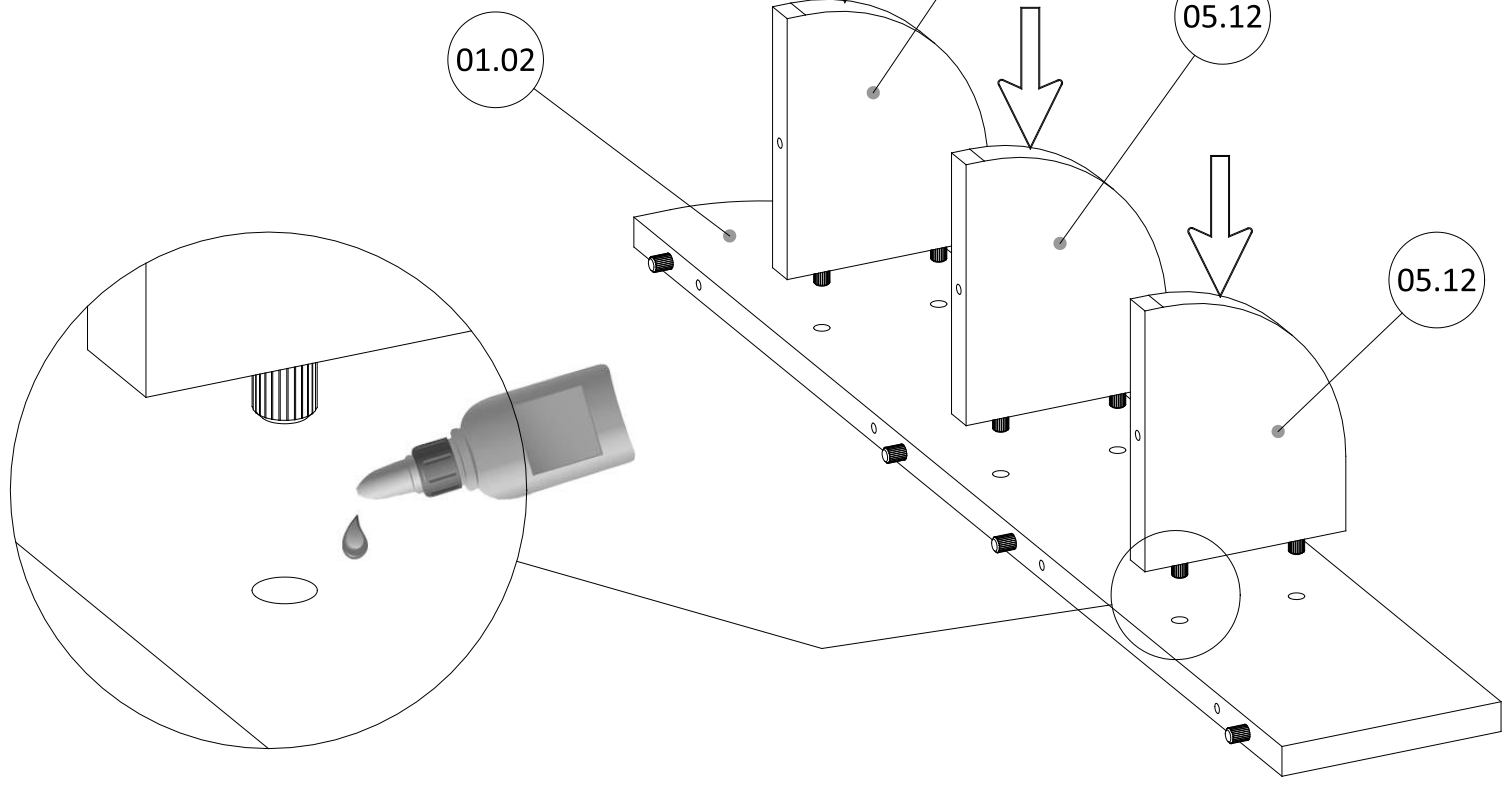
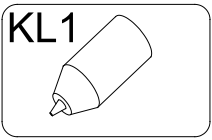


4

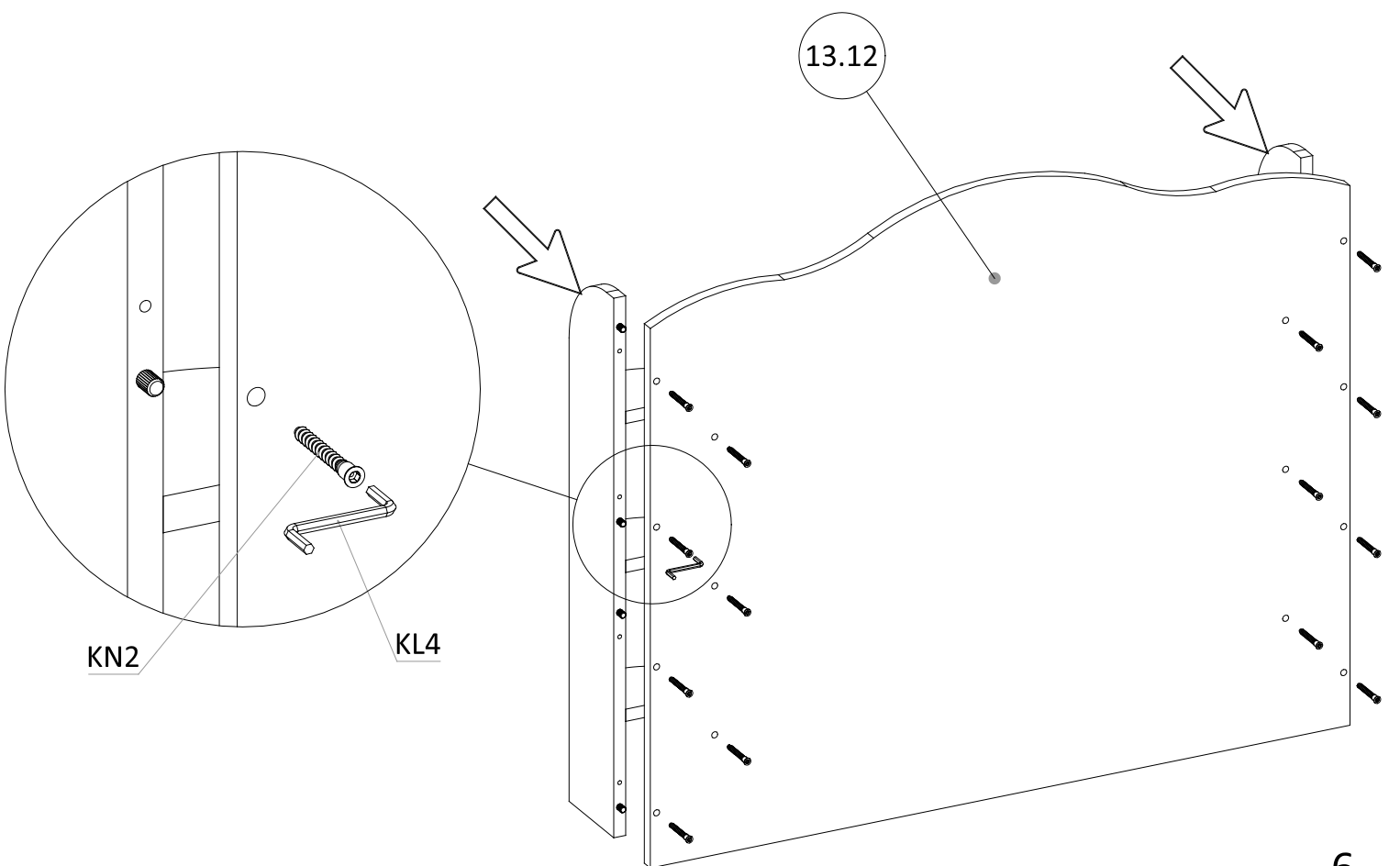
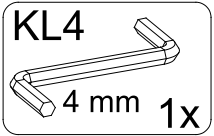
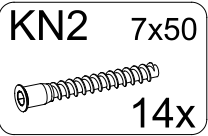
KL1



5

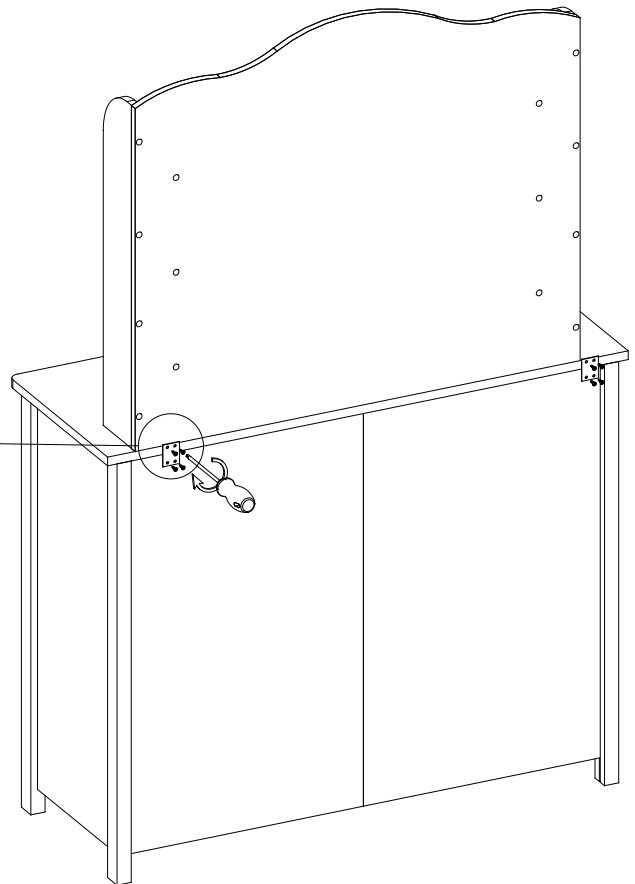
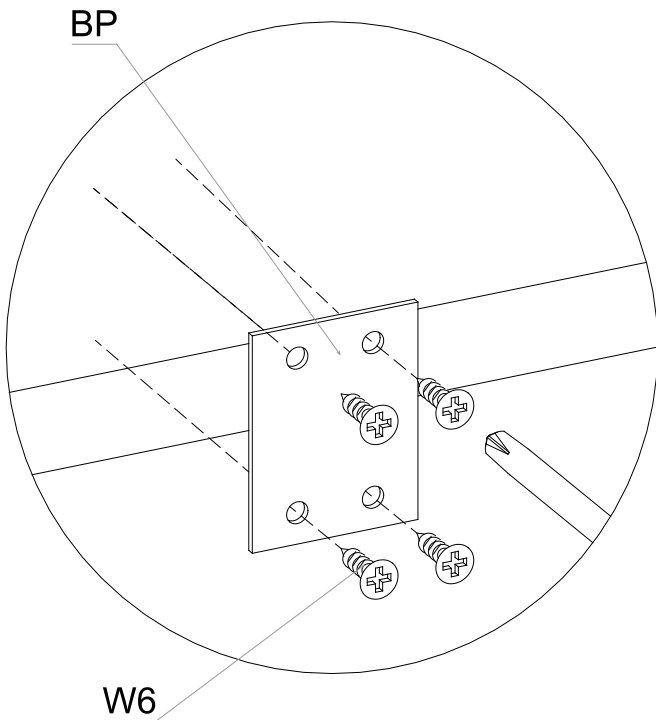
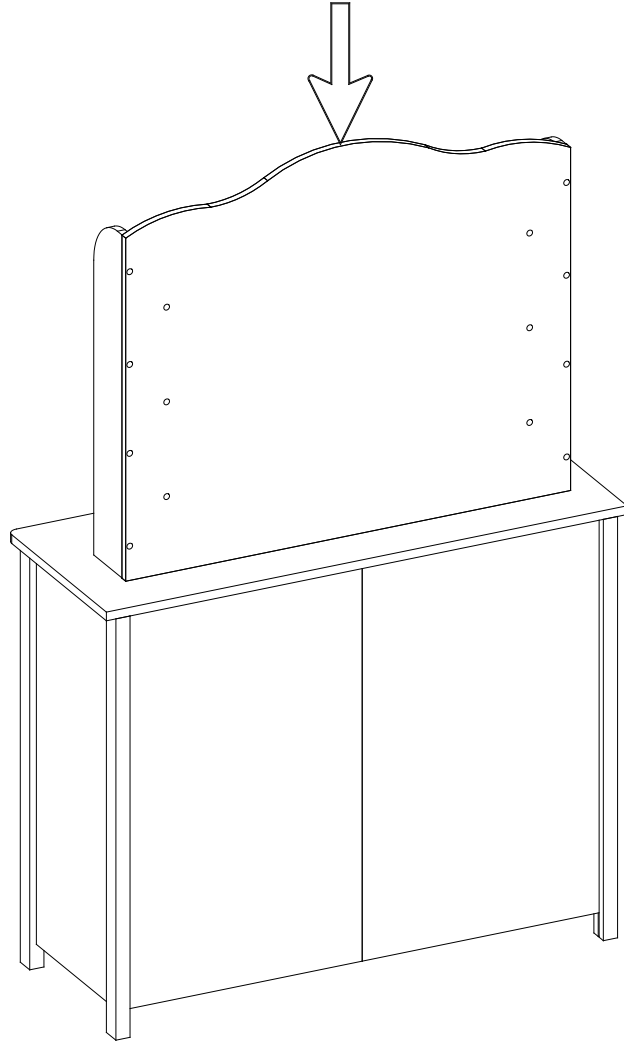
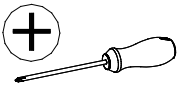
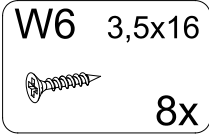
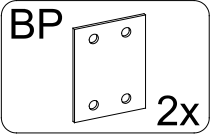


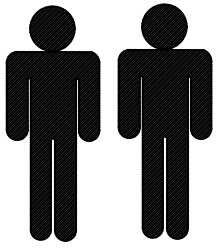
6



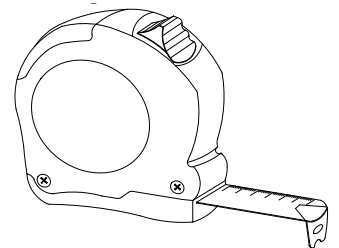
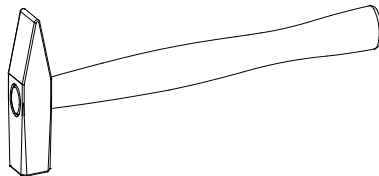
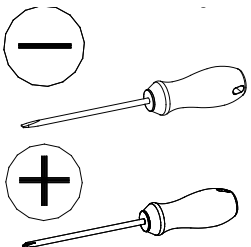
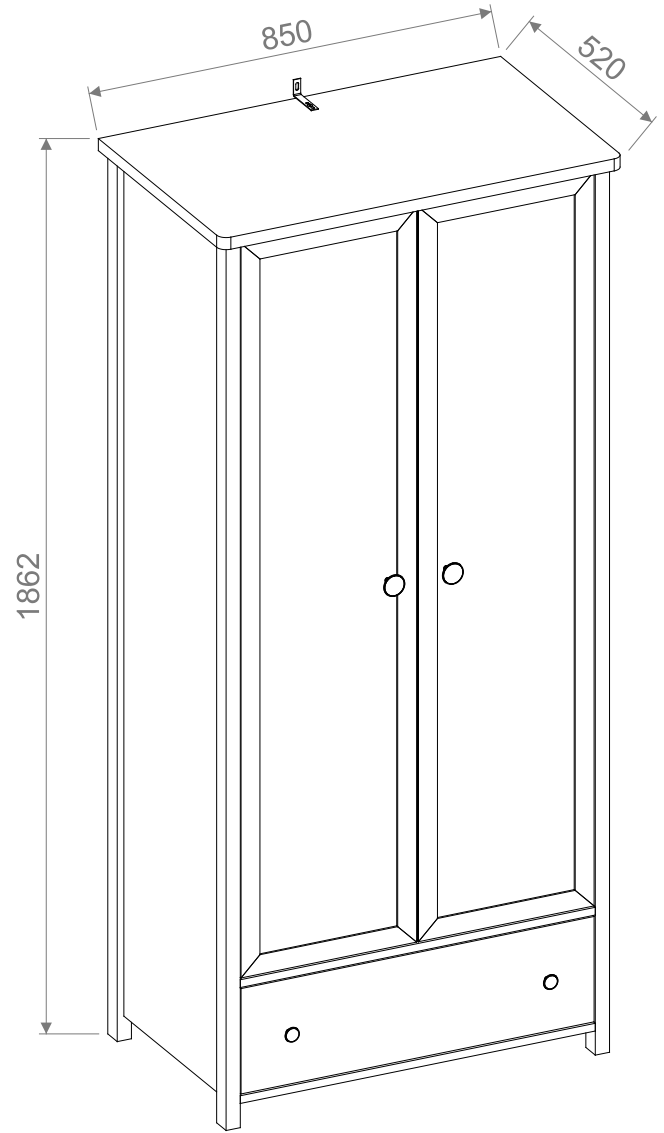


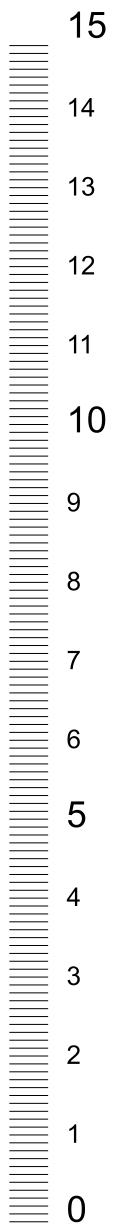
7



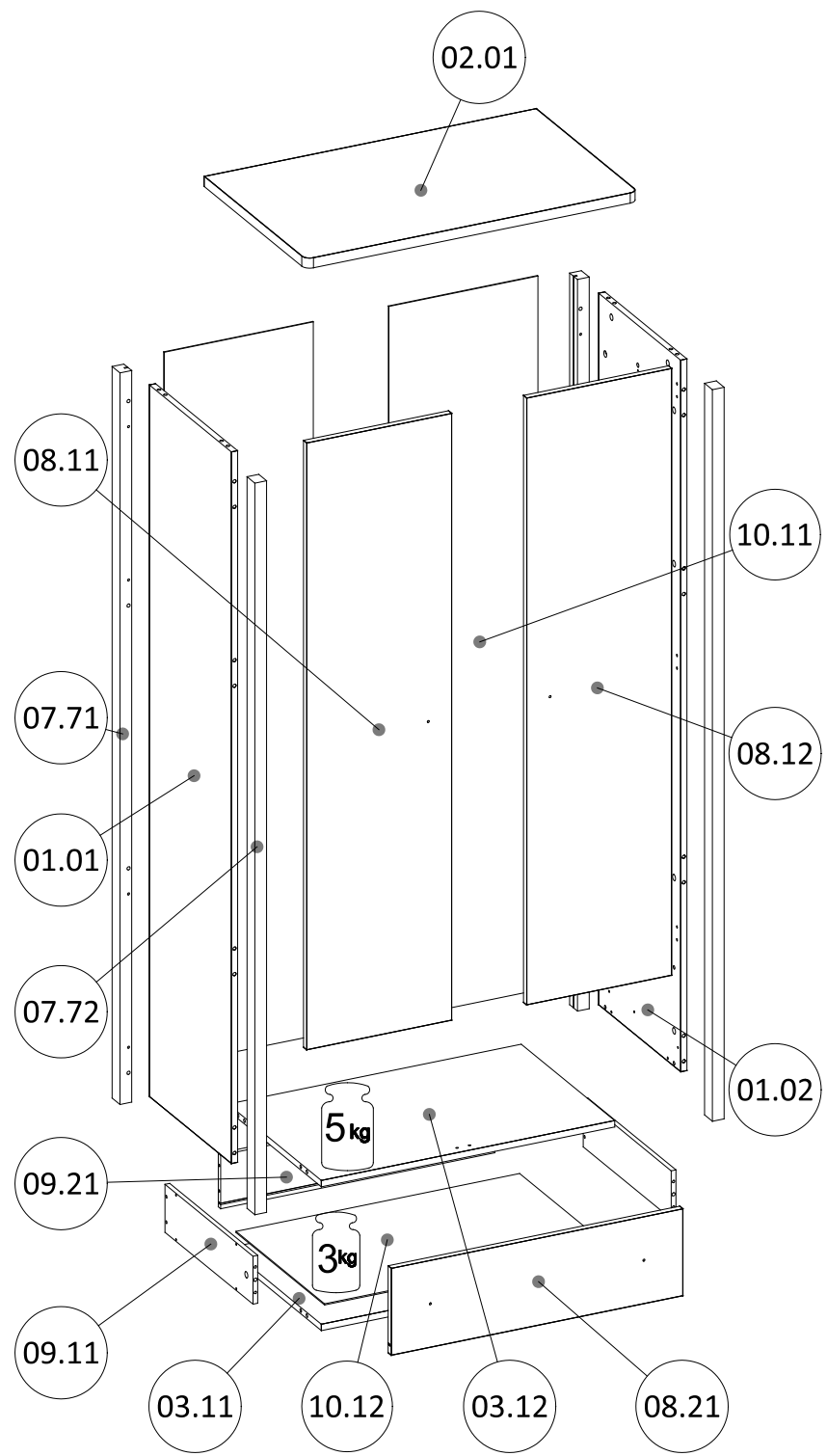


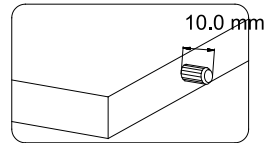
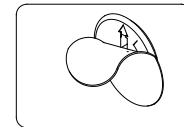
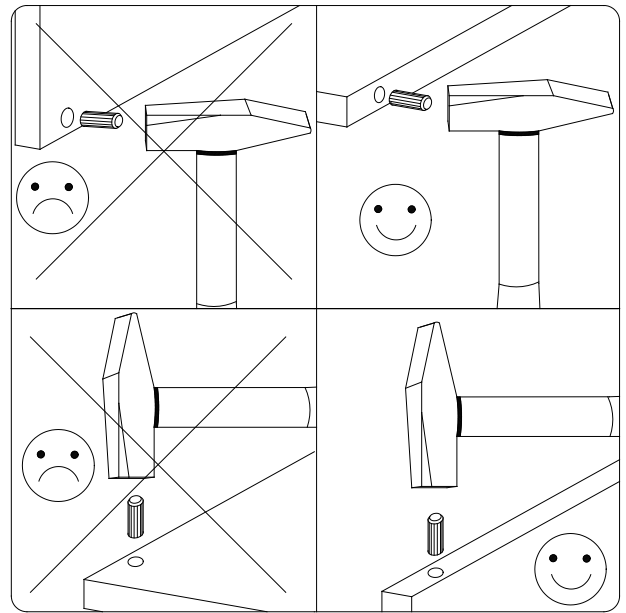
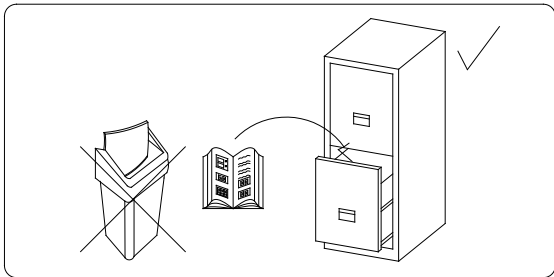
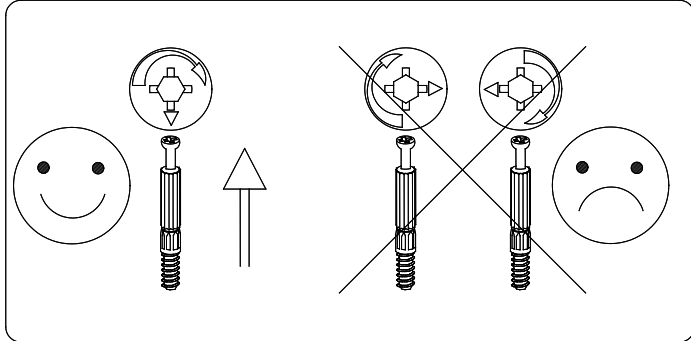
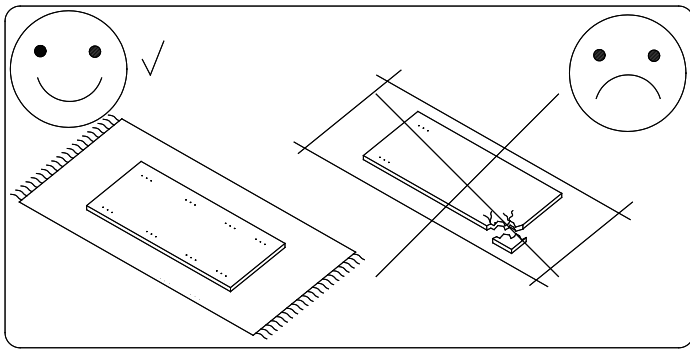
120 min





01.01	1782,0	420,0	16,0	1	1/2
01.02	1782,0	420,0	16,0	1	1/2
02.01	850,0	520,0	25,0	1	2/2
03.11	750,0	478,0	16,0	1	2/2
03.12	750,0	478,0	16,0	1	2/2
07.71	1832,0	40,0	30,0	2	1/2
07.72	1832,0	40,0	30,0	2	1/2
08.11	1520,0	371,0	16,0	1	1/2
08.12	1520,0	371,0	16,0	1	1/2
08.21	746,0	218,0	16,1	1	2/2
09.11	450,0	120,0	12,0	2	2/2
09.21	701,0	134,0	12,0	1	2/2
10.11	1788,0	381,0	3,0	2	1/2
10.12	725,0	453,0	3,0	1	2/2

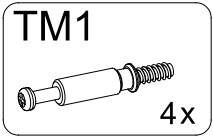
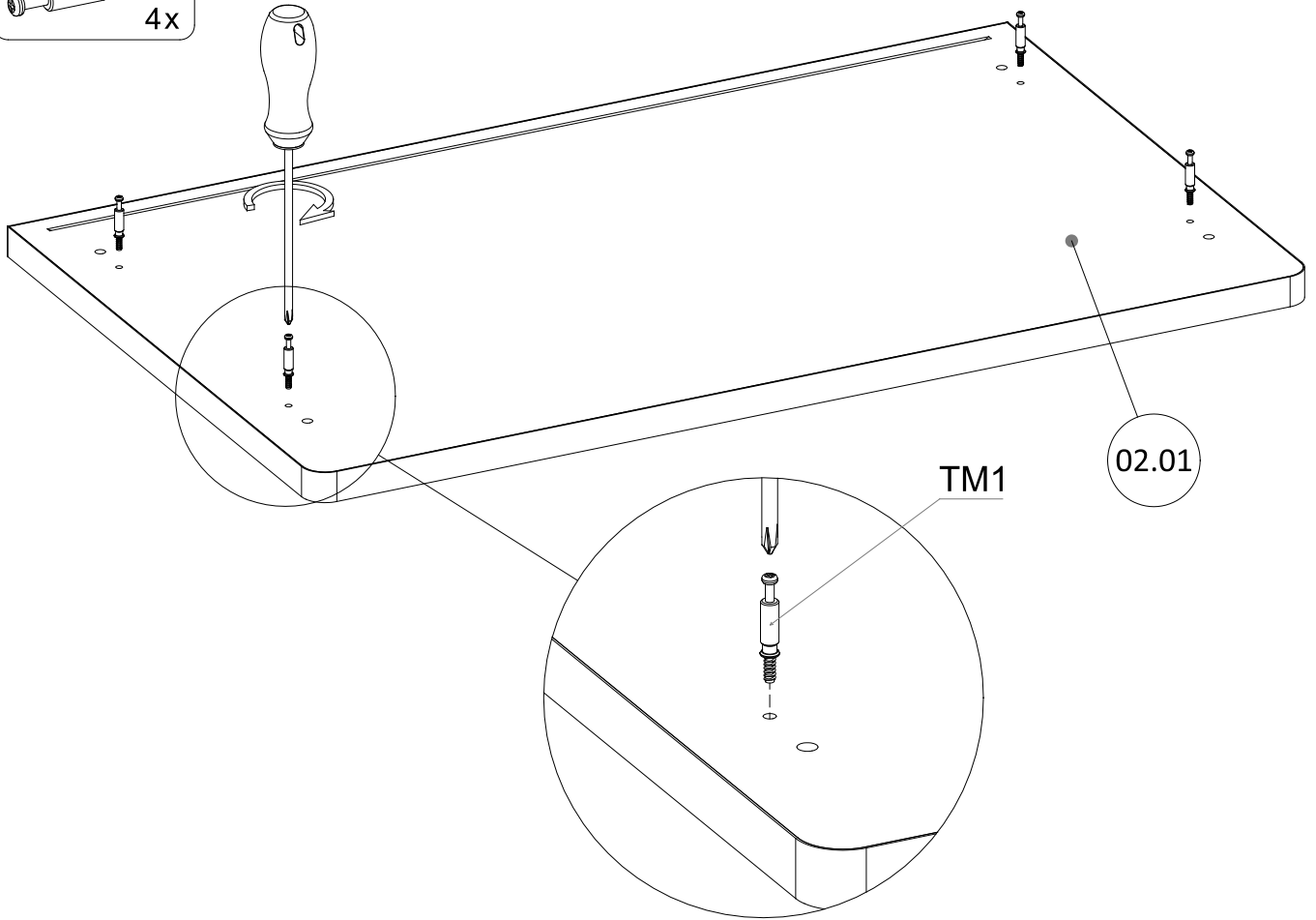
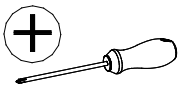




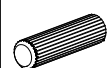

<b>NA20</b> Ø20 318 18x	<b>WE61</b> 5x13 6x	<b>WDP</b> 2x	<b>W7</b> 4x13 14x	<b>G2</b> 2,0x20 6x	<b>PP6</b> Ø5 2x
<b>D</b> L=744 mm 1x	<b>WE66</b> 5x9 4x	<b>H2E</b> 6x	<b>Z2</b> 6x	<b>U1</b> Ø45 2x	<b>W38</b> 4x30 2x
<b>H</b> L=1525mm 1x	<b>PR5</b> L=450 1x	<b>K1</b> 6x30 4x	<b>KP</b> 6x40 4x	<b>U</b> Ø26 2x	<b>S42</b> 4x25 2x
<b>TK</b> 14x	<b>SG</b> 4x	<b>K2</b> 8x30 28x	<b>TM1</b> 30x	<b>M10</b> Ø15x10 2x	<b>W34</b> 4x16 1x
				<b>M12</b> Ø15x12 28x	<b>KA</b> 1x

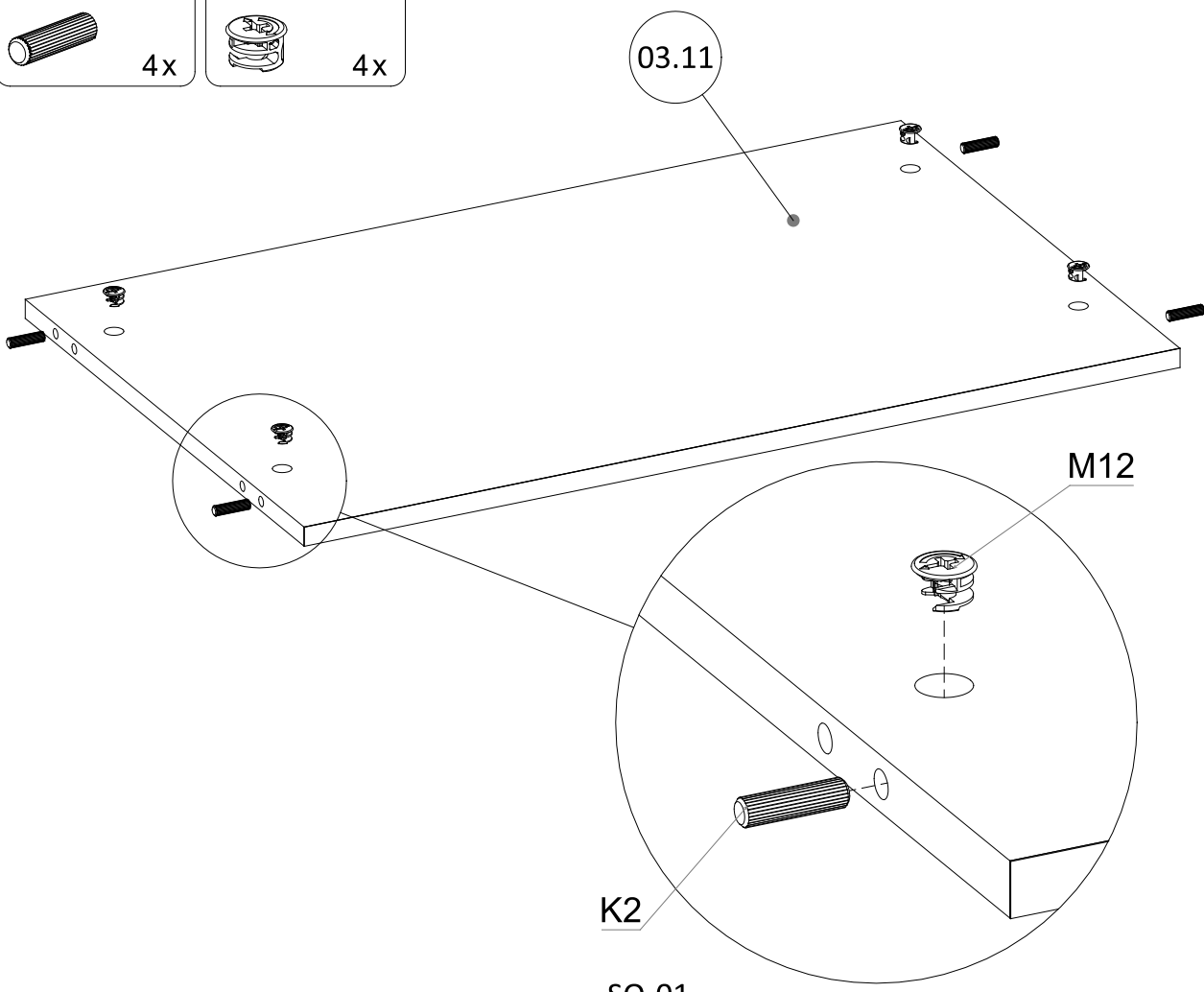
1

TM1  
4x

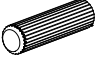




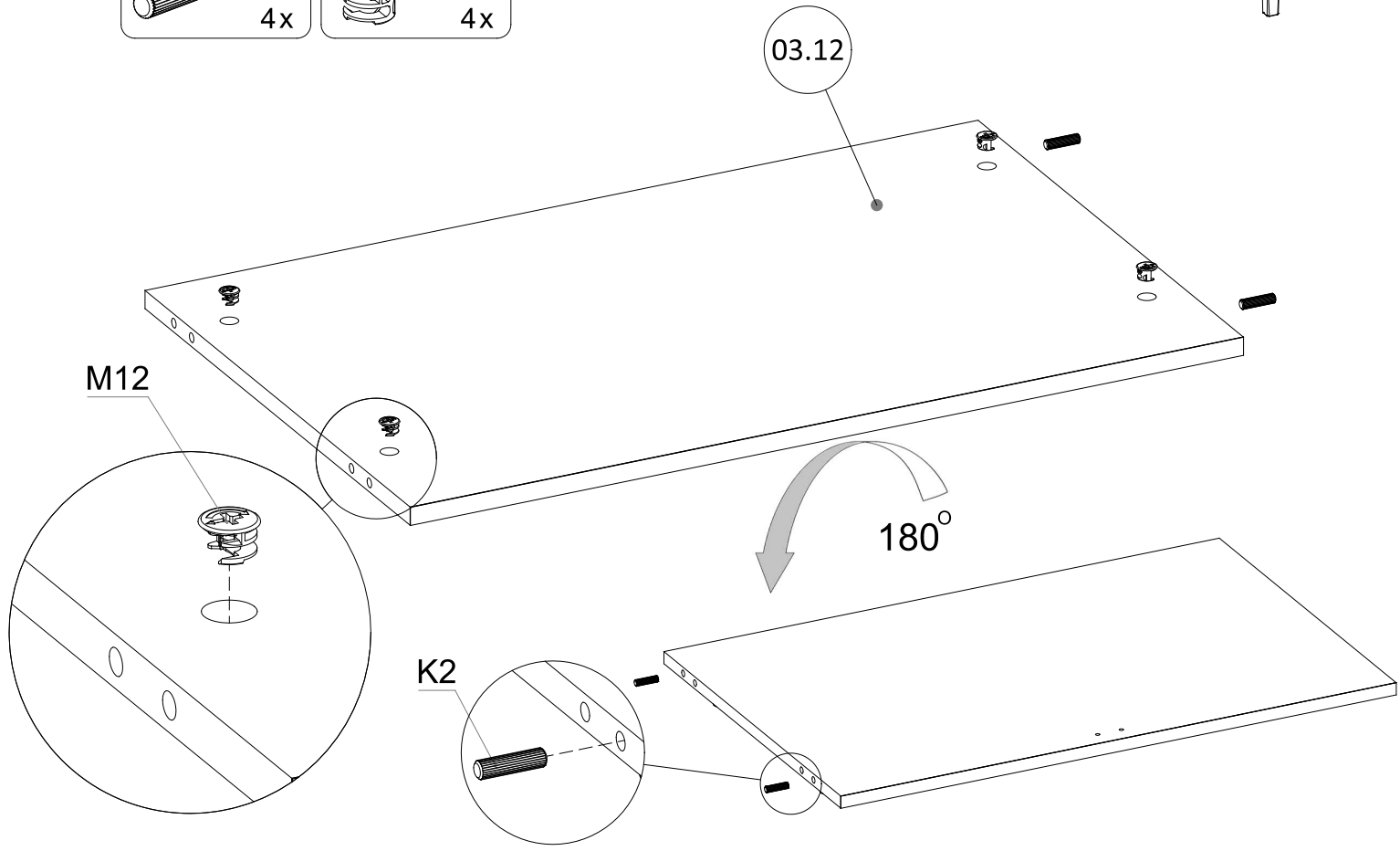
2

K2	8x30	M12	Ø15x12
	4x		4x

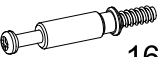


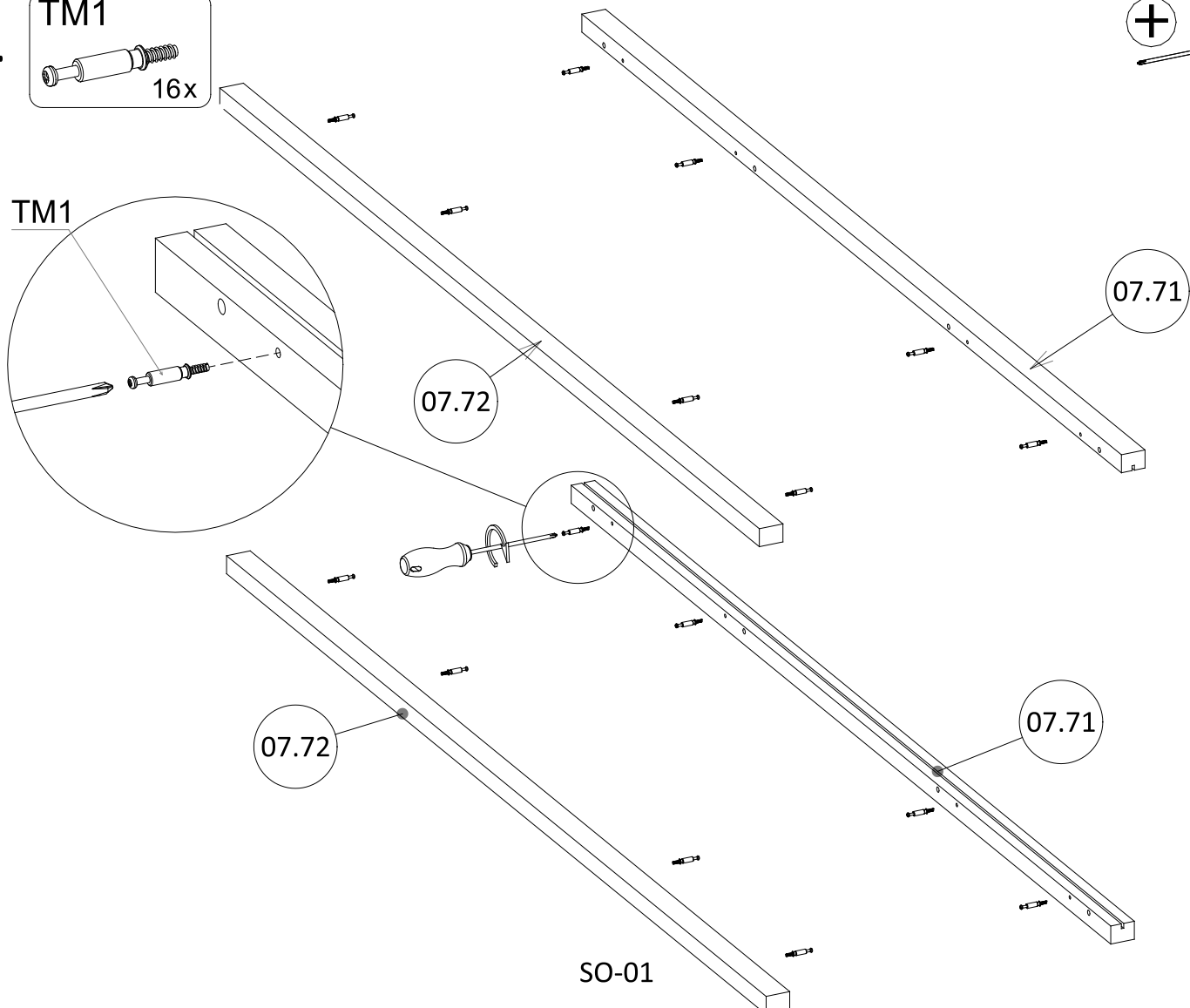
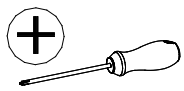
3

<b>K2</b>	8x30	<b>M12</b> Ø15x12
	4x	
		4x



4

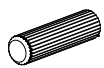

<b>TM1</b>	16x
	

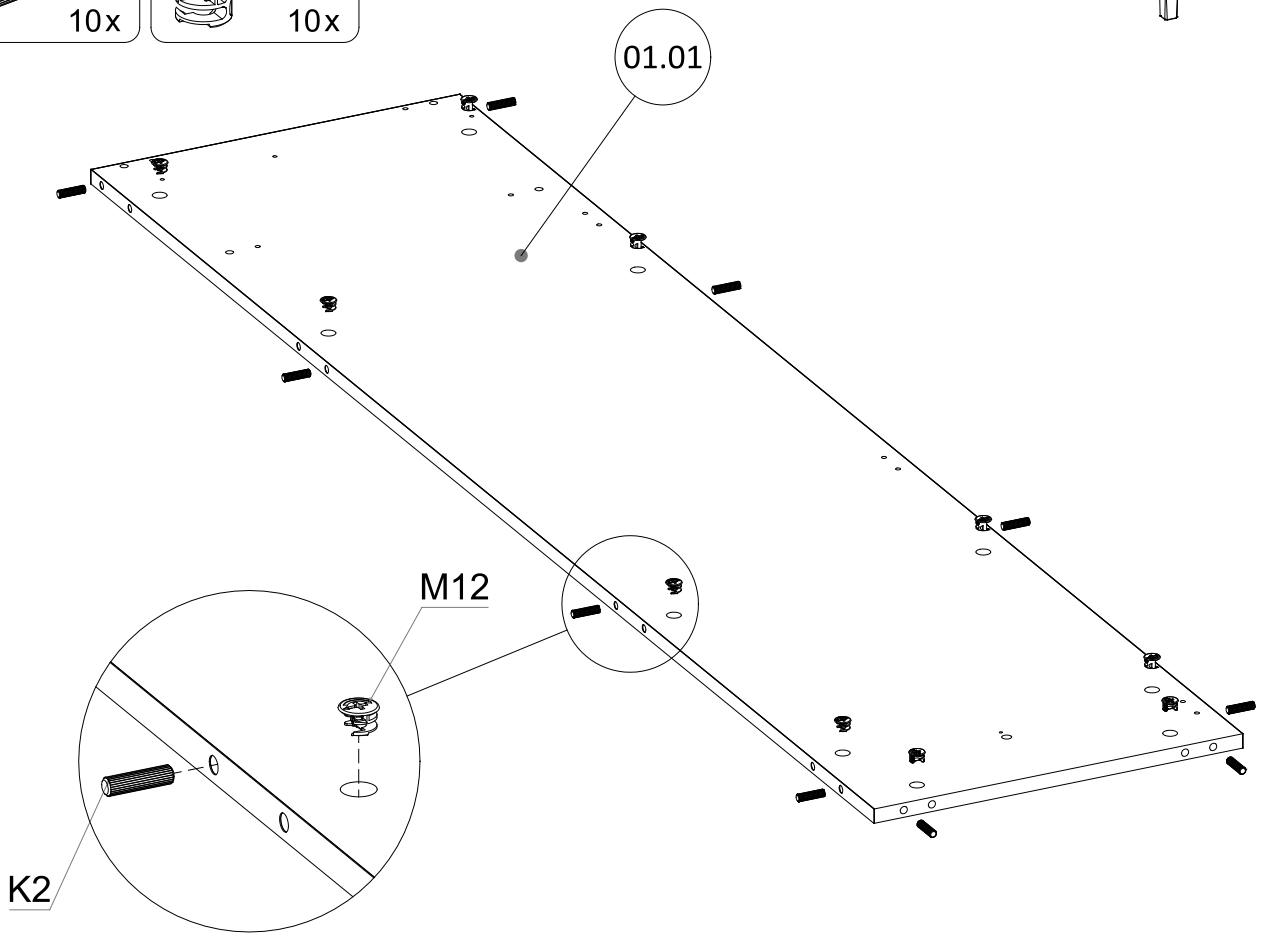


SO-01

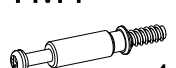


5

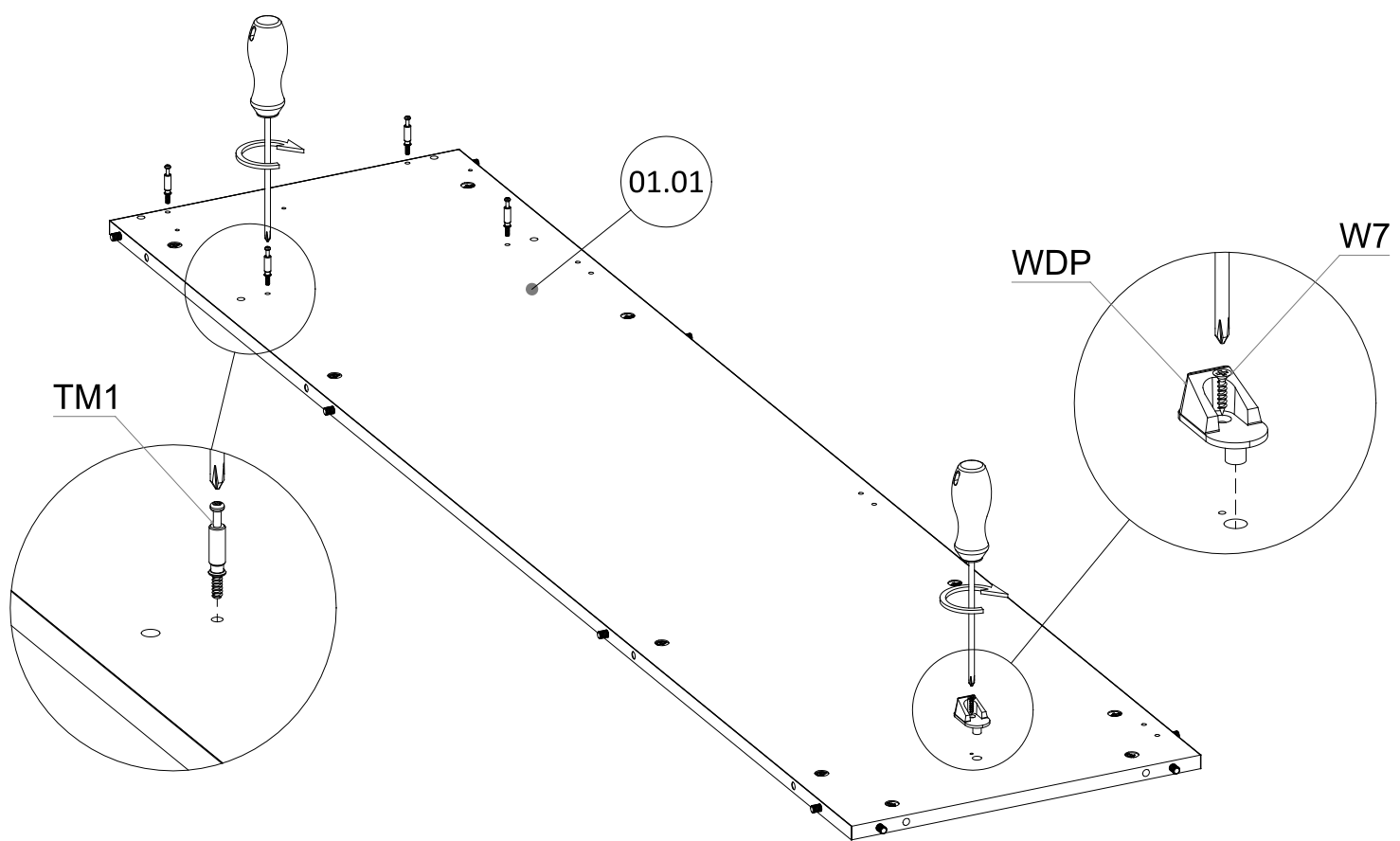
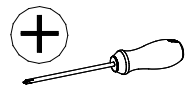
5

<b>K2</b>	8x30	<b>M12</b> Ø15x12	
	10x		10x



6

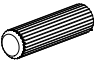

<b>TM1</b>		<b>WDP</b>		<b>W7</b> 4x13	
	4x		1x		1x

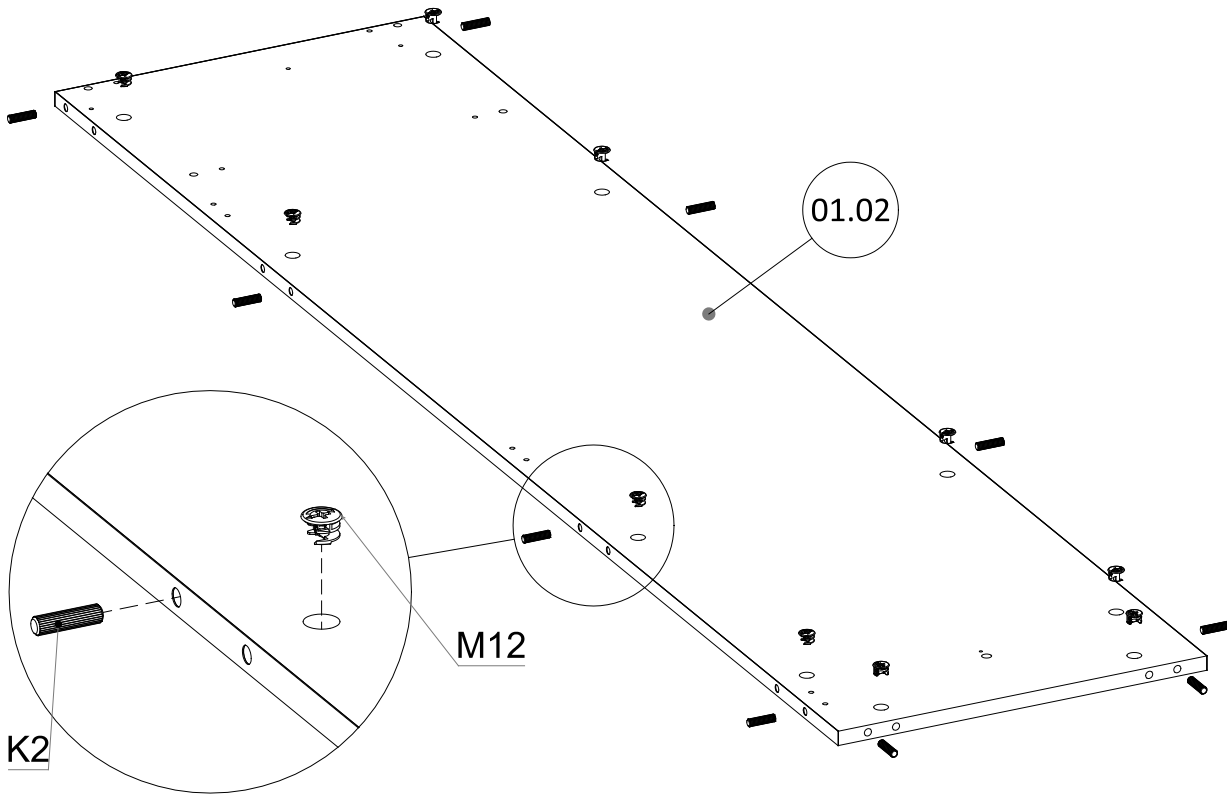


SO-01

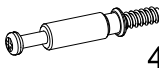

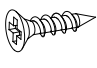
6

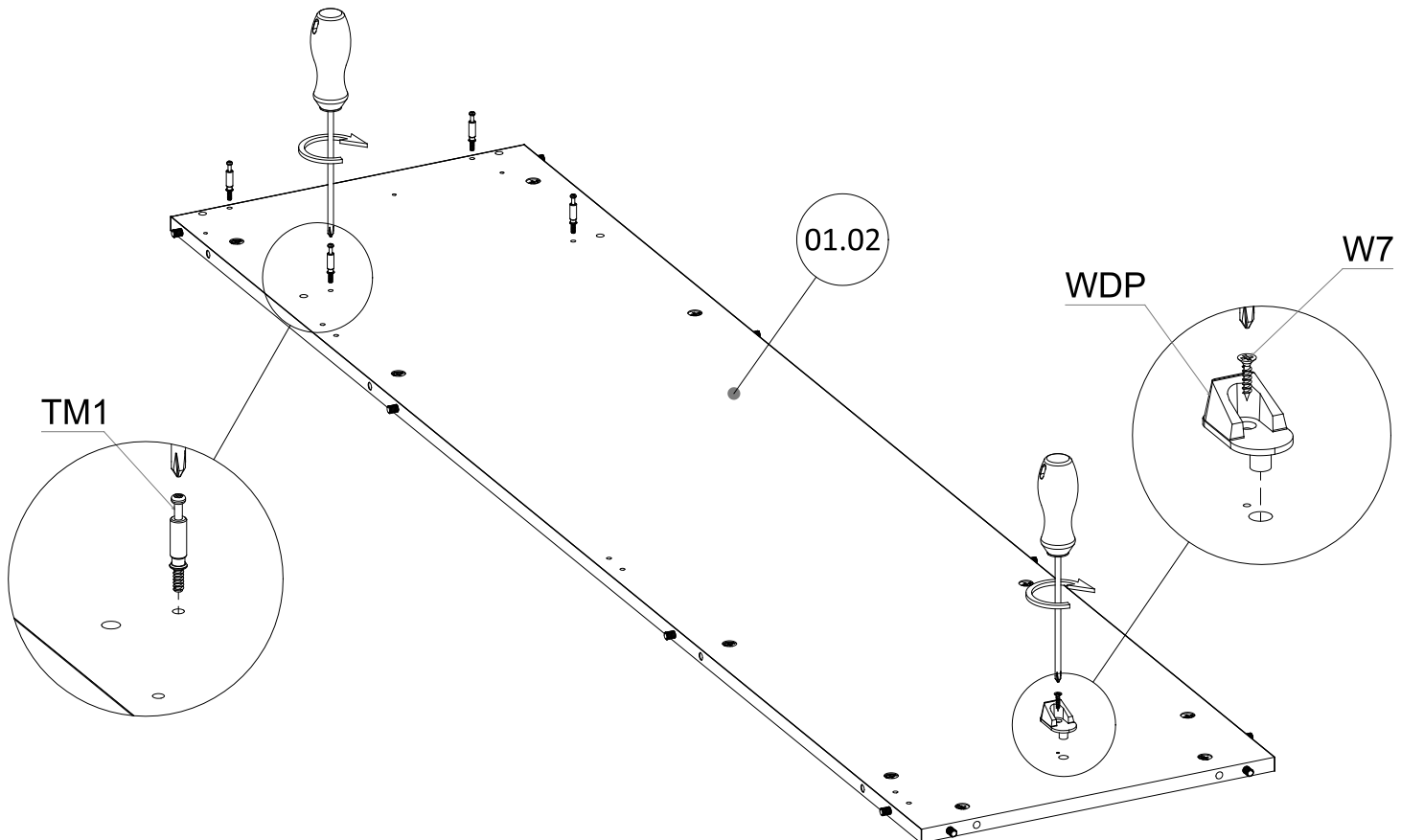
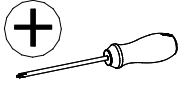
7

<b>K2</b>	8x30	<b>M12</b> Ø15x12	
	10x		10x



8

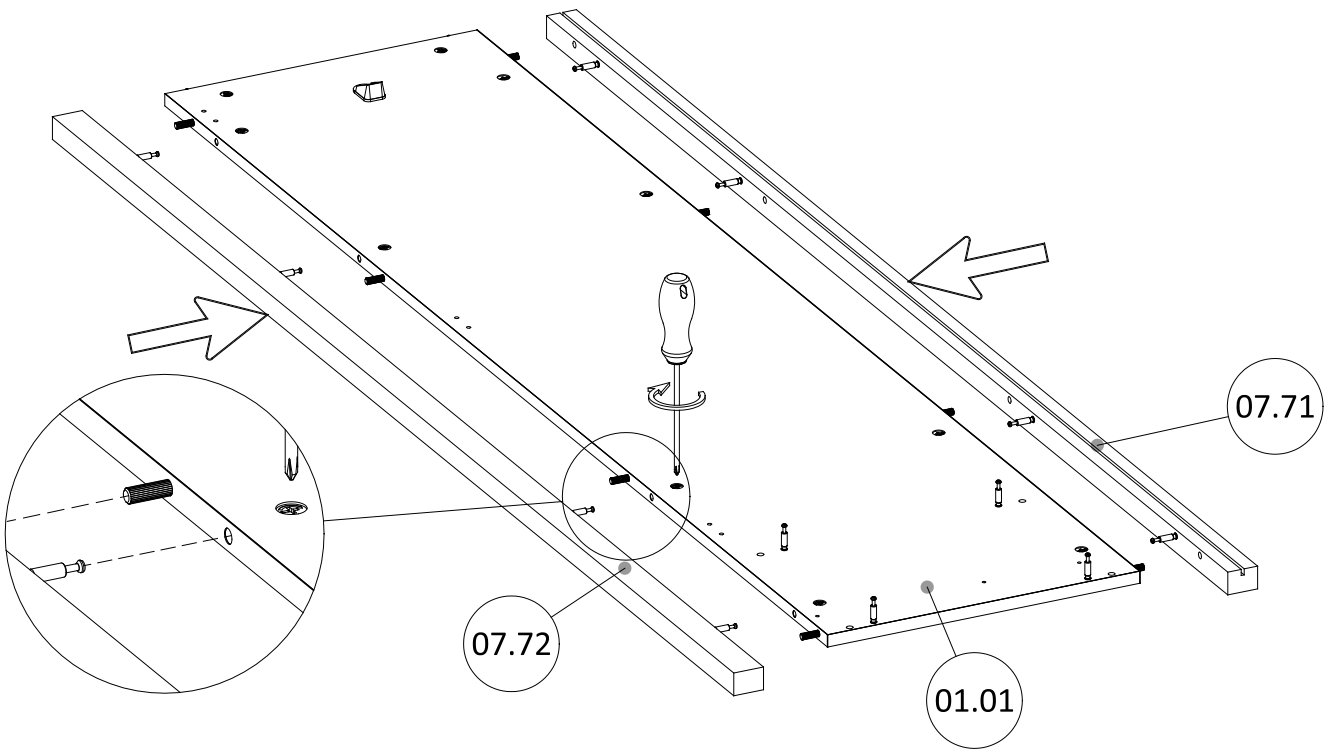
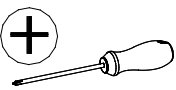
<b>TM1</b>		<b>WDP</b>	<b>W7</b> 4x13
	4x		1x
			1x





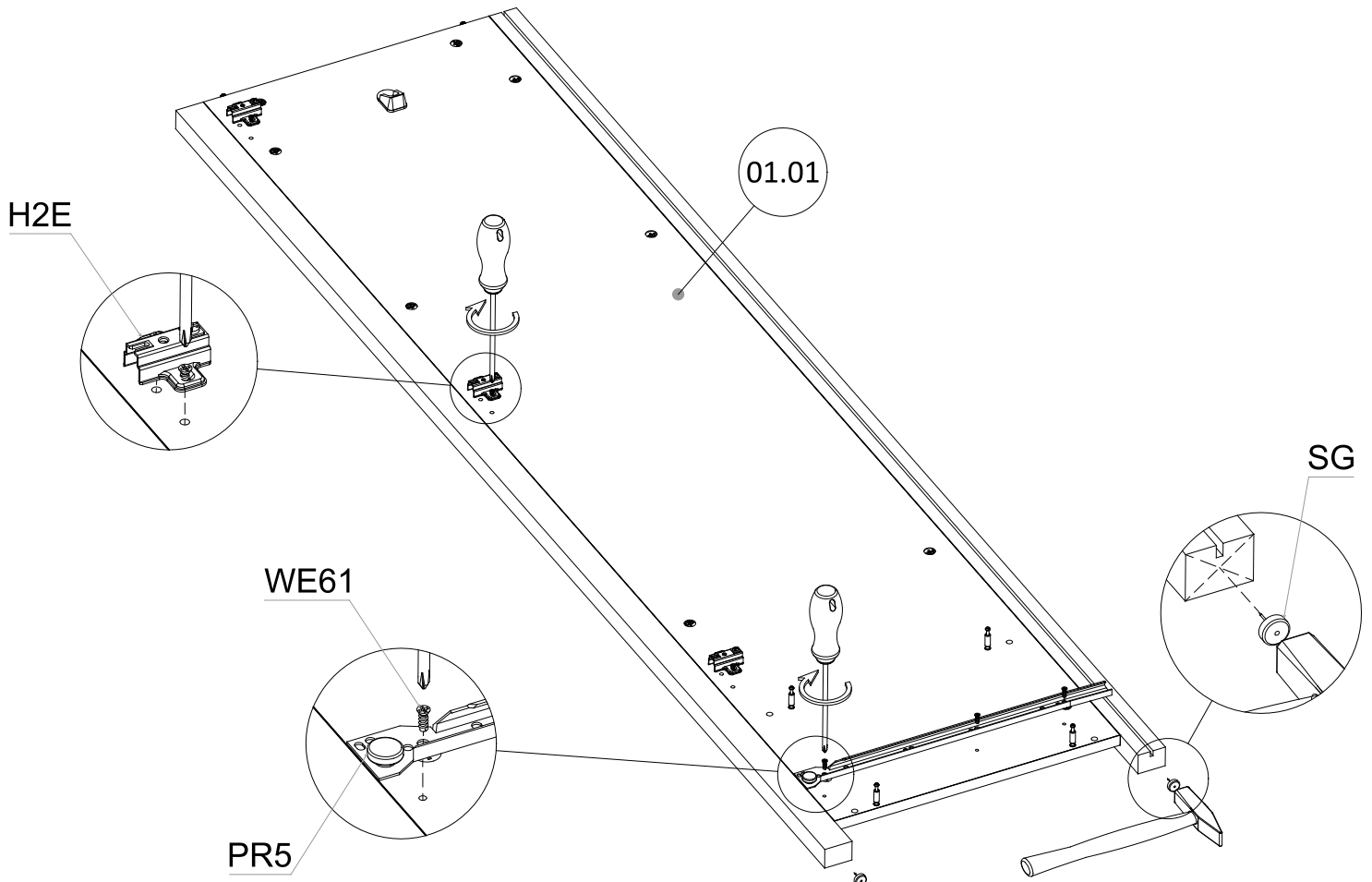
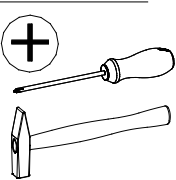
9

NA20 Ø20  
318  
6x



10

SG 2x  
 H2E 3x  
 WE61 5x13 3x  
 PR5 1x

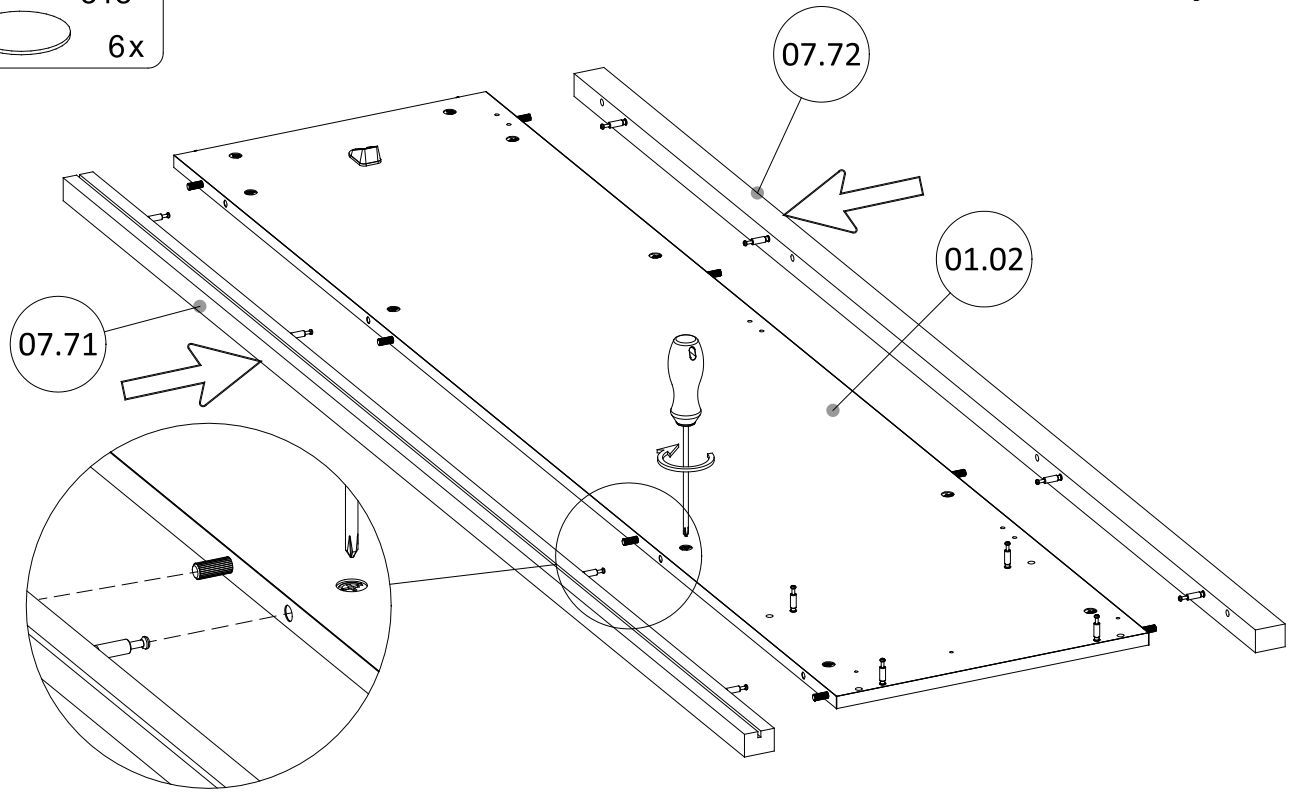
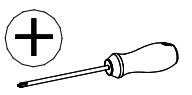


SO-01

8

# 11

NA20 Ø20  
318  
6x



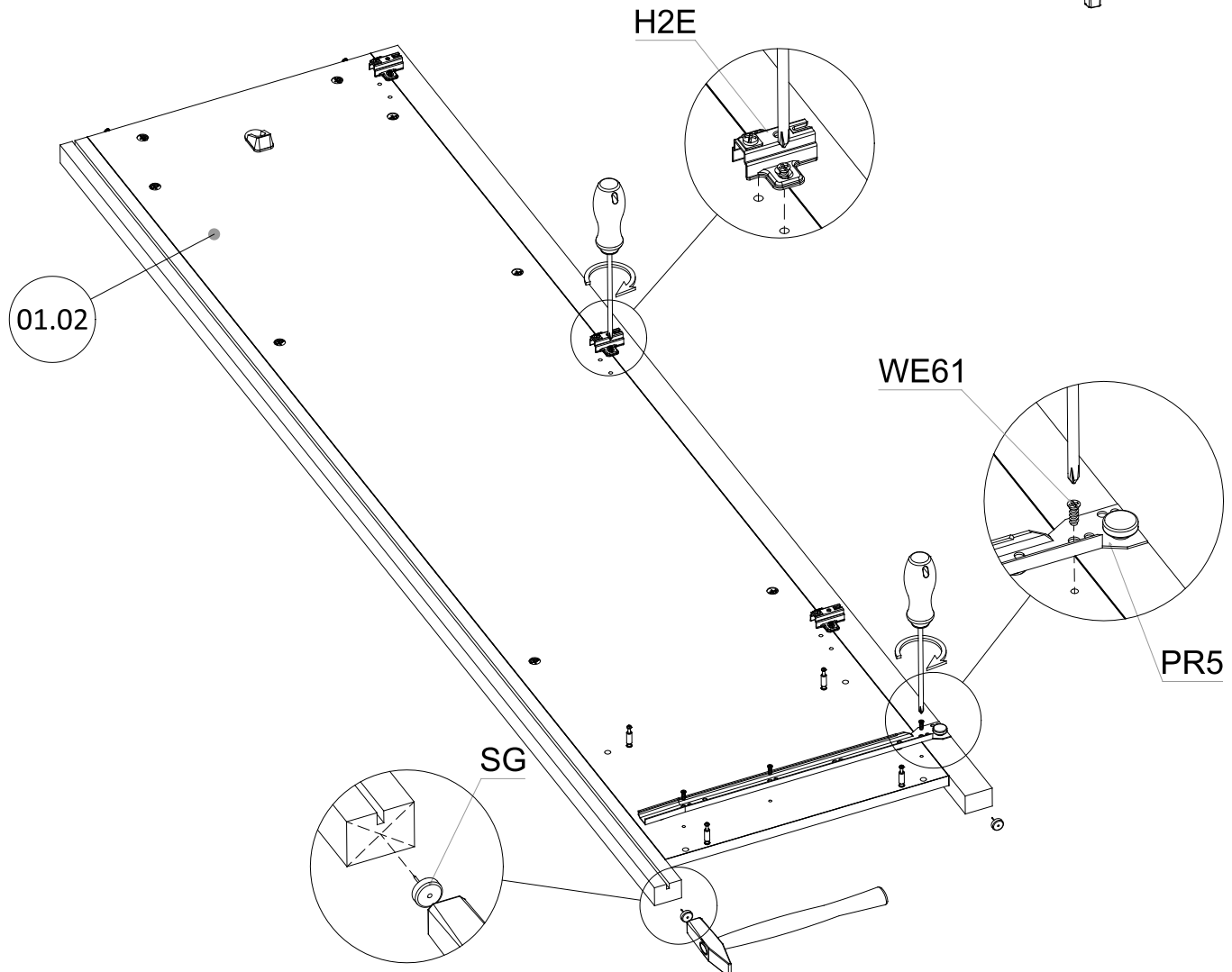
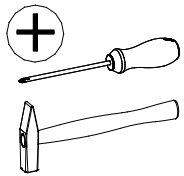
# 12

SG  
2x

H2E  
3x

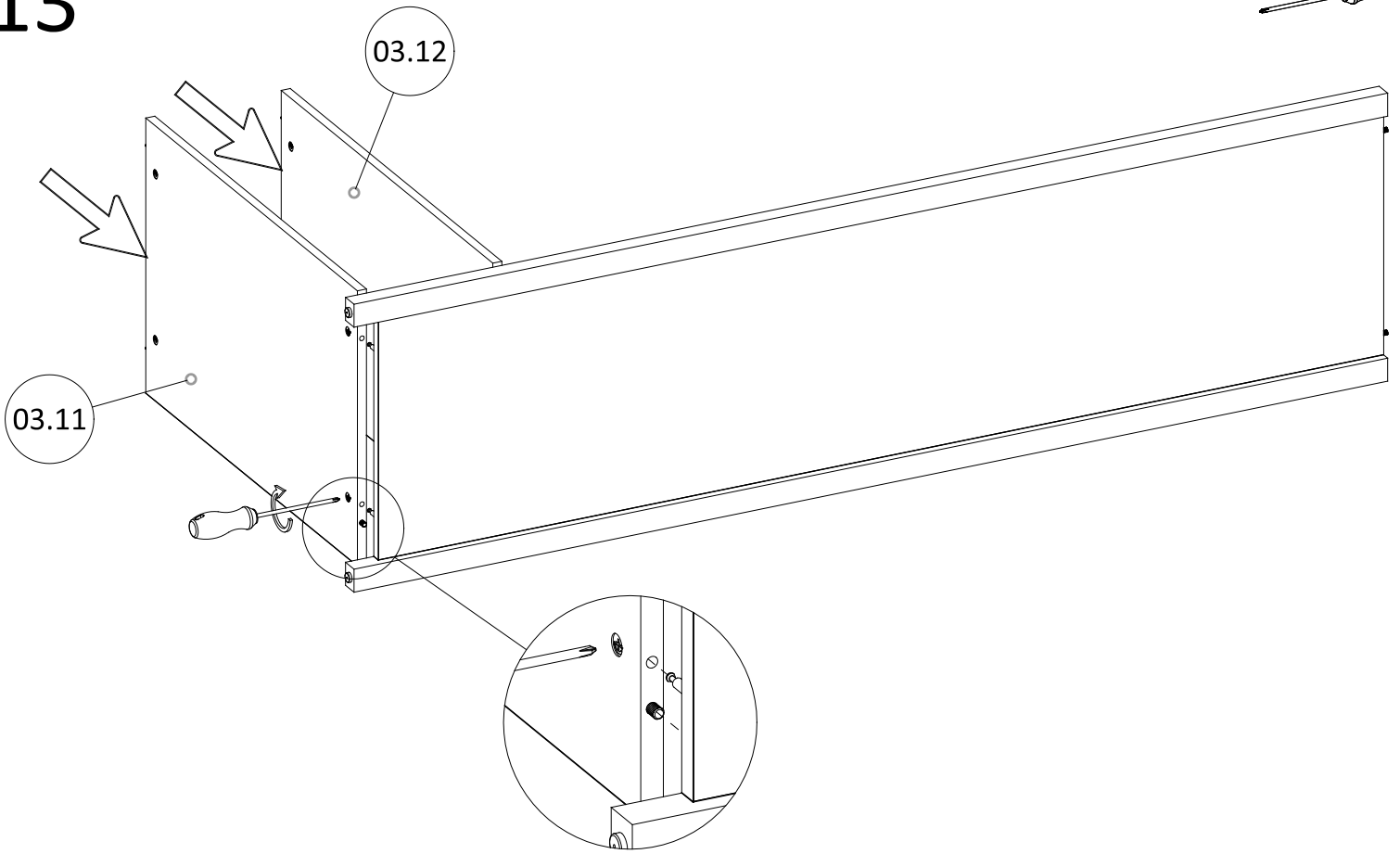
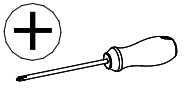
WE61 5x13  
3x

PR5  
1x

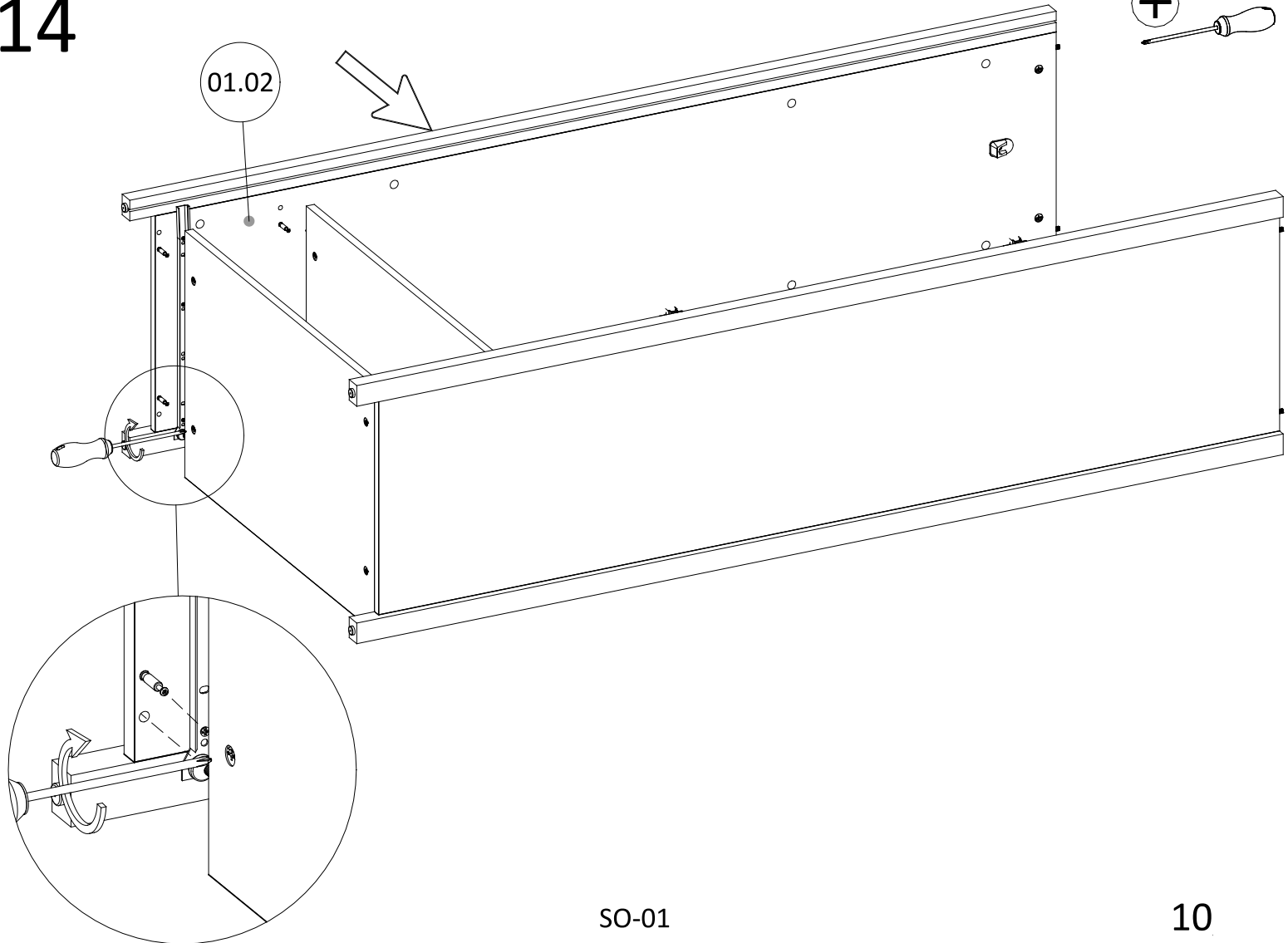
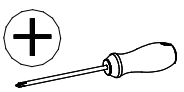


SO-01

# 13

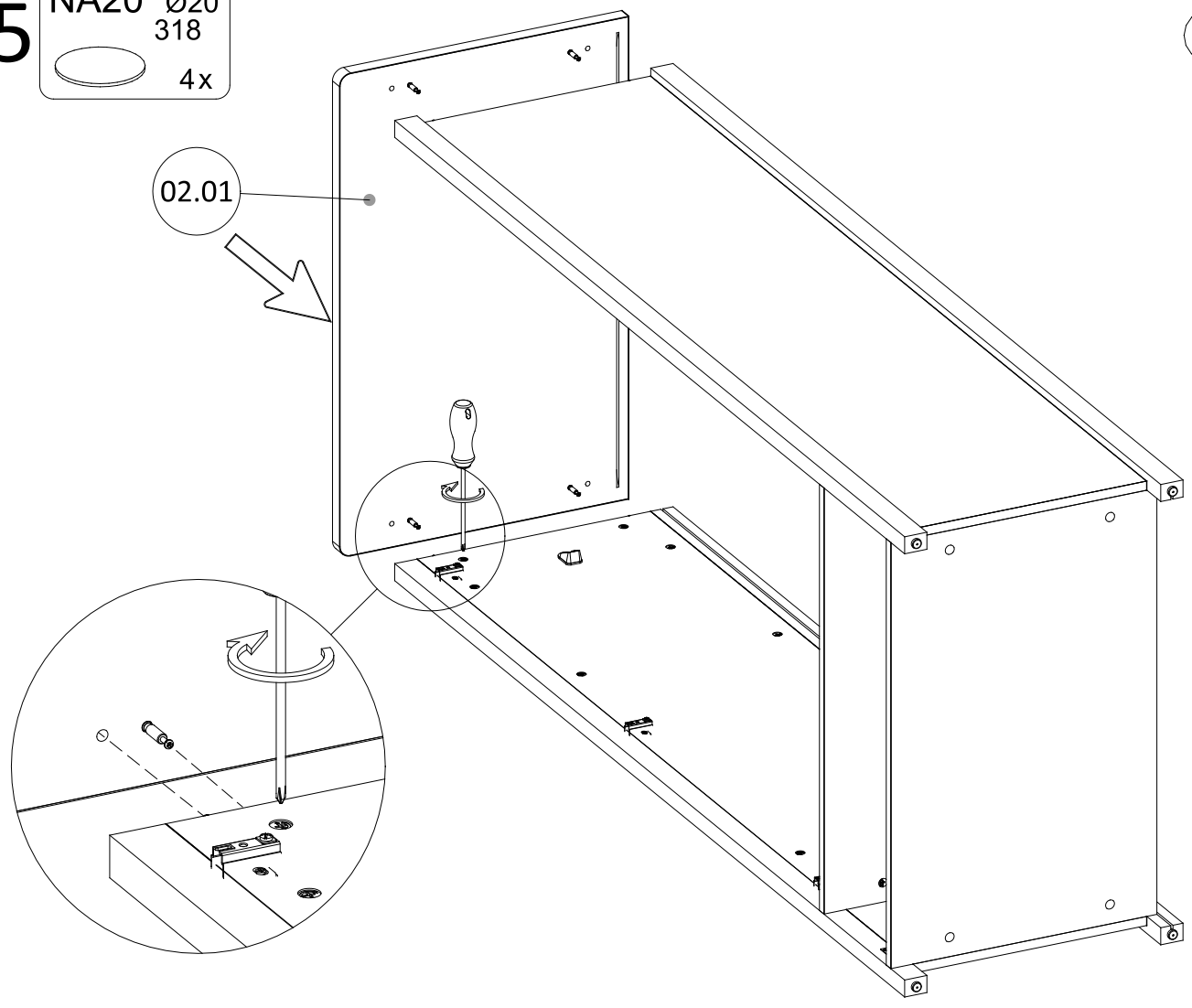
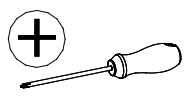


# 14

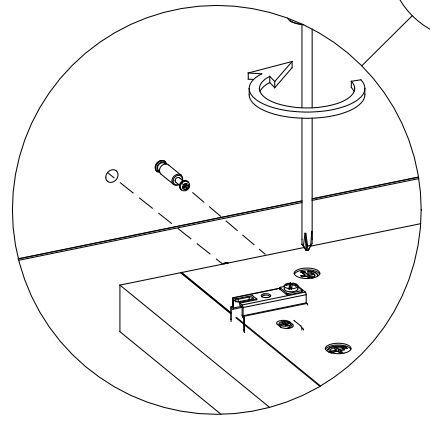


15

NA20 Ø20  
318  
4x

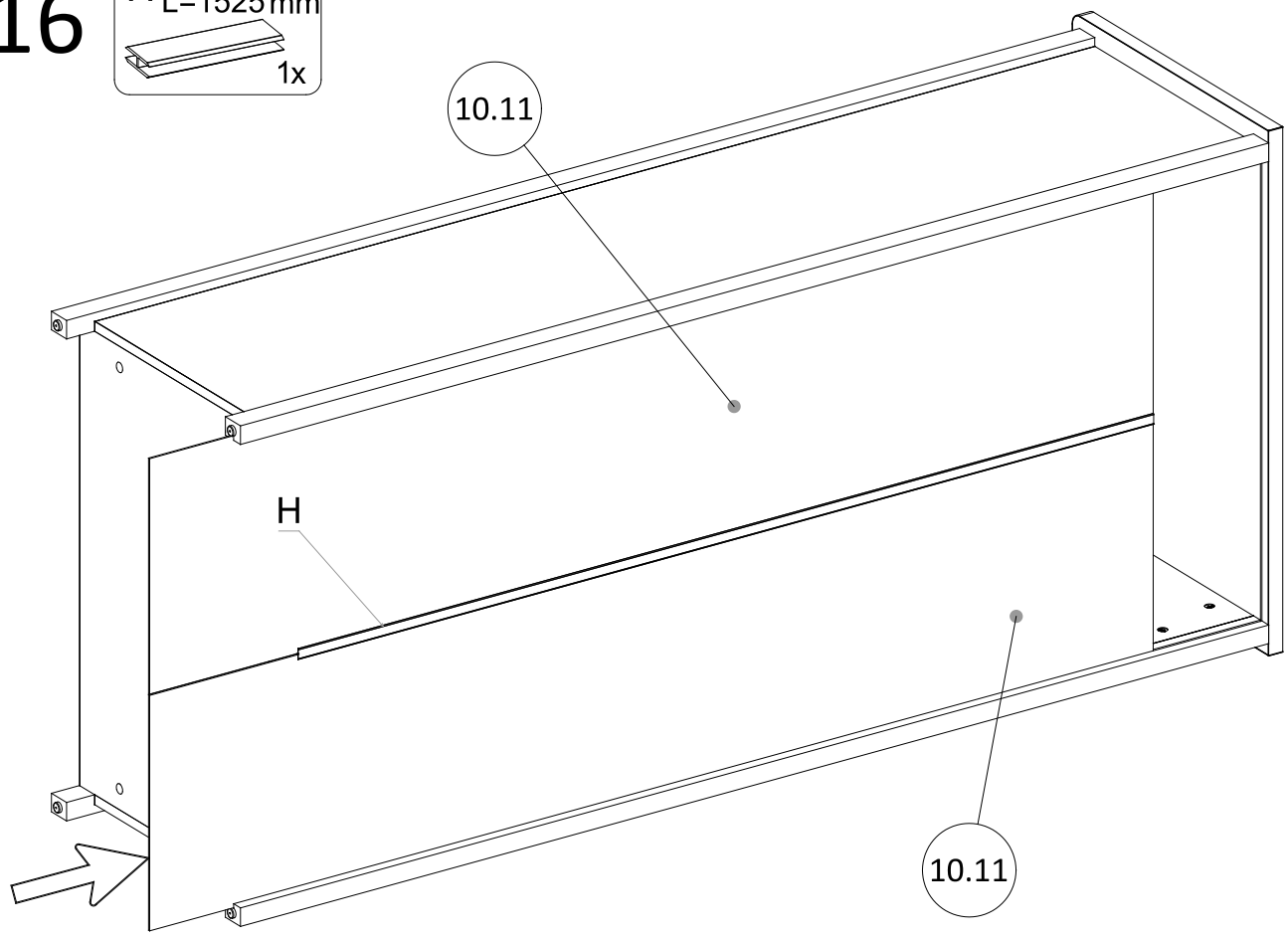


02.01



16

H<sub>L</sub>=1525mm  
1x



10.11

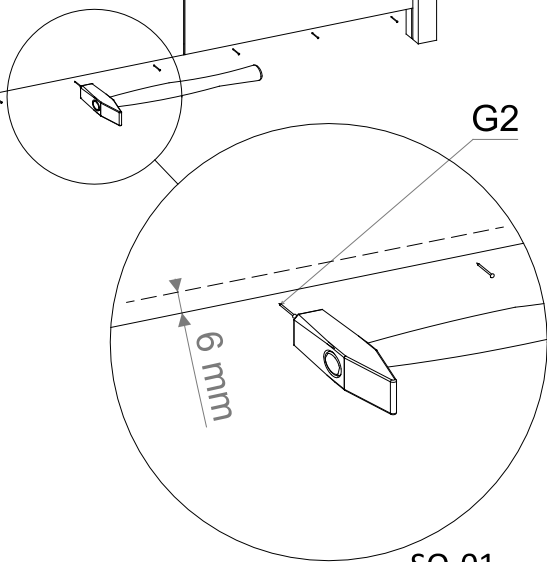
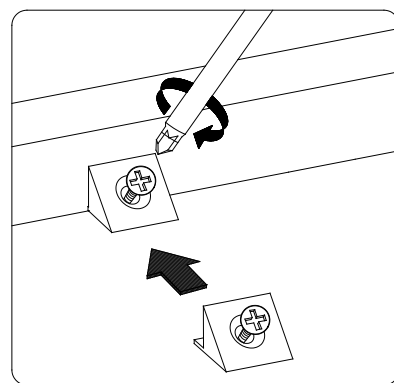
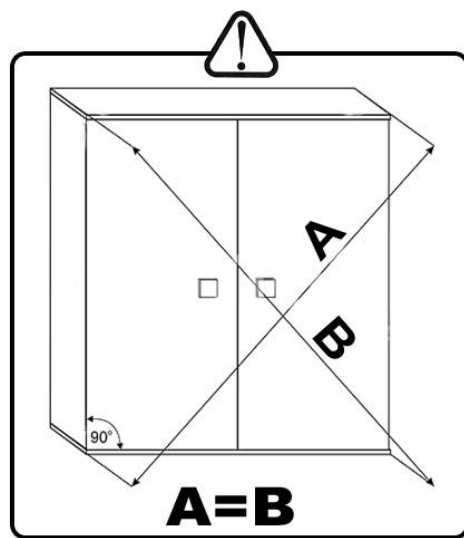
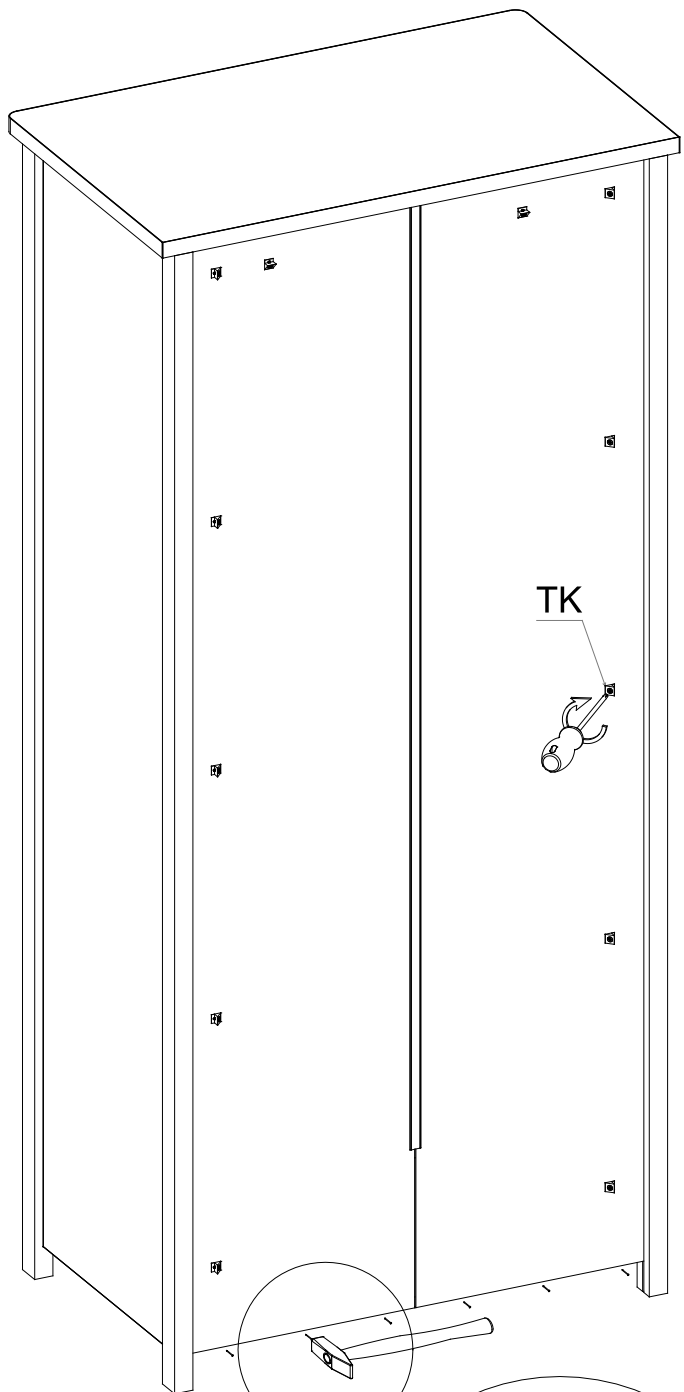
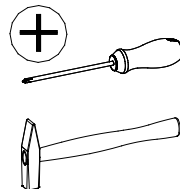
H

10.11

17

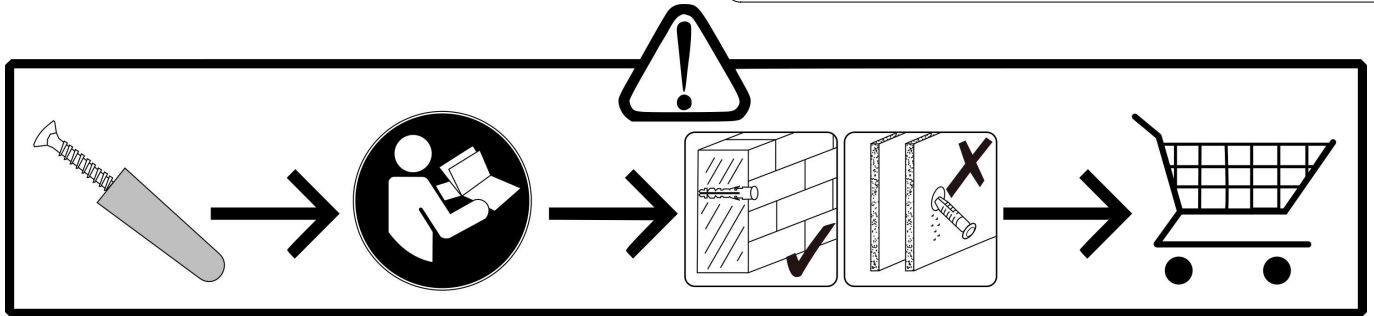
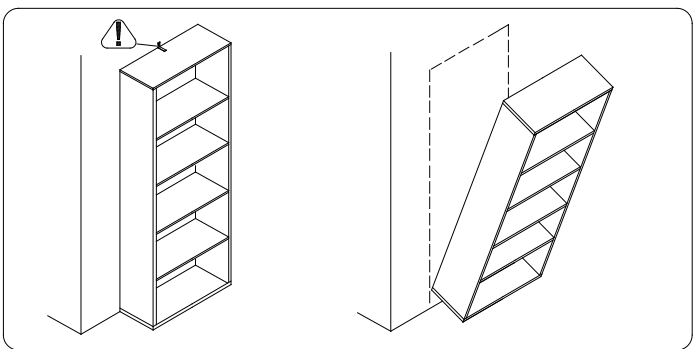
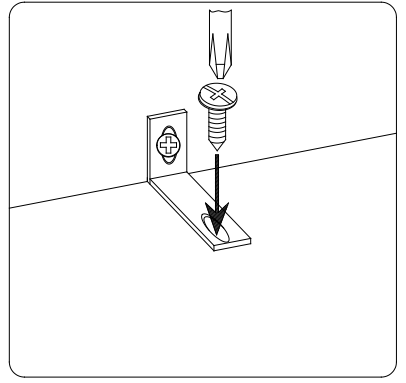
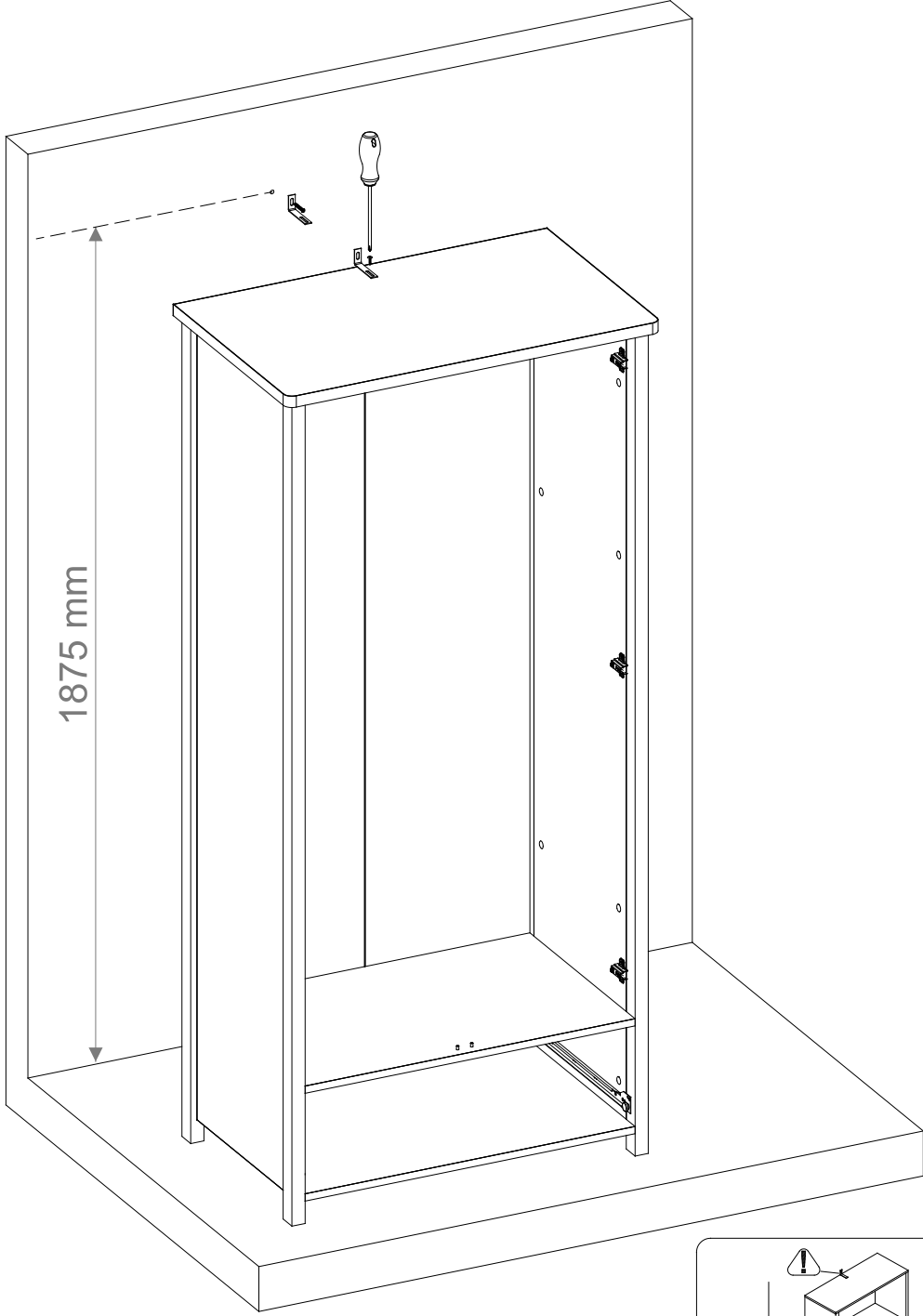
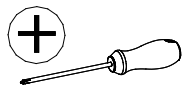
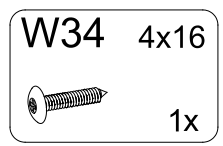
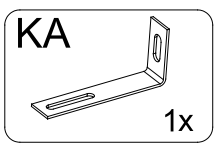
G2 2,0x20  
6x

TK  
12x



SO-01

18



# 19

**D** L=744 mm  
1x

**PP6** Ø5  
2x

PP6

D

03.12

# 20

**K1** 6x30  
2x2x

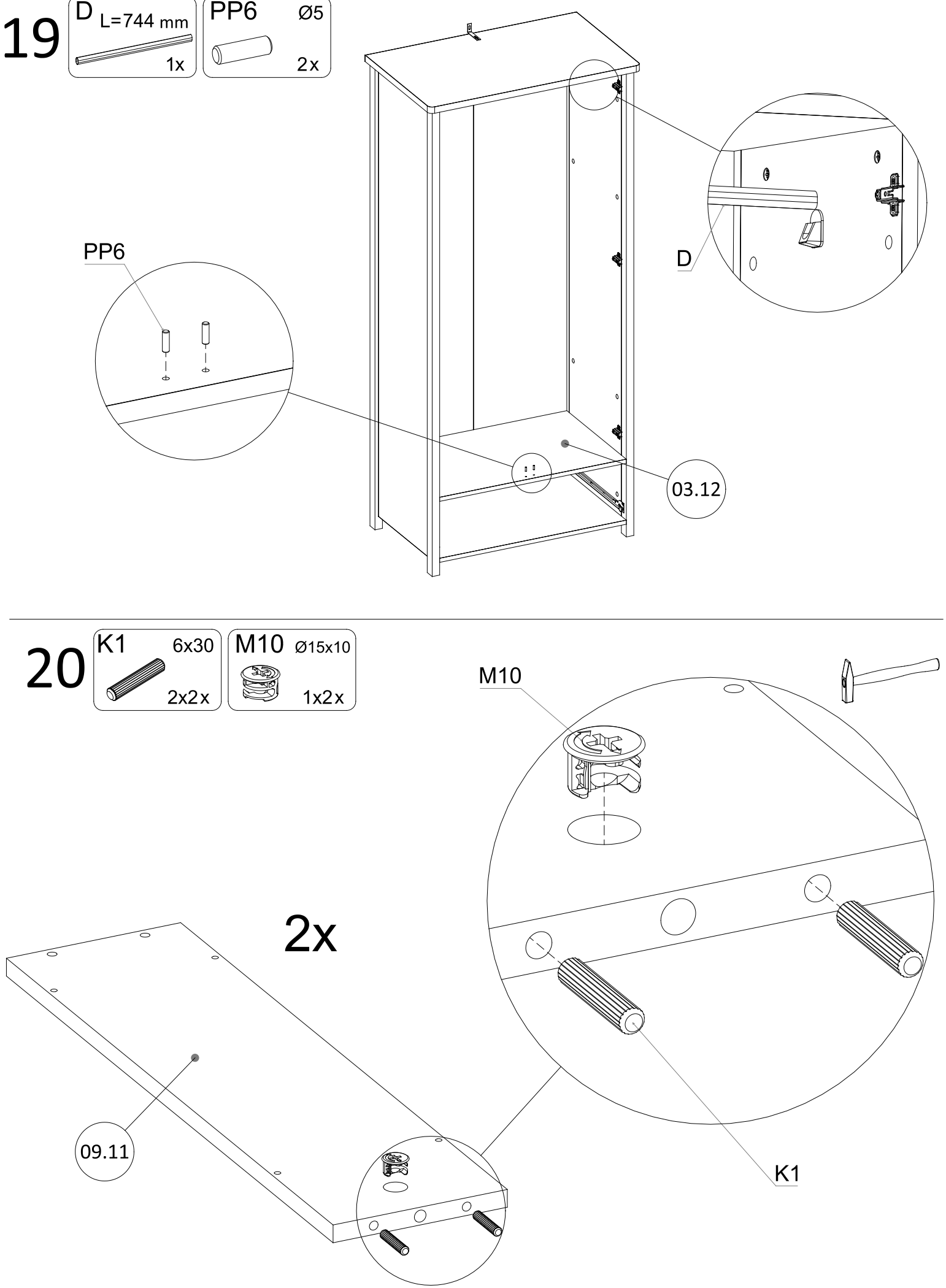
**M10** Ø15x10  
1x2x

2x

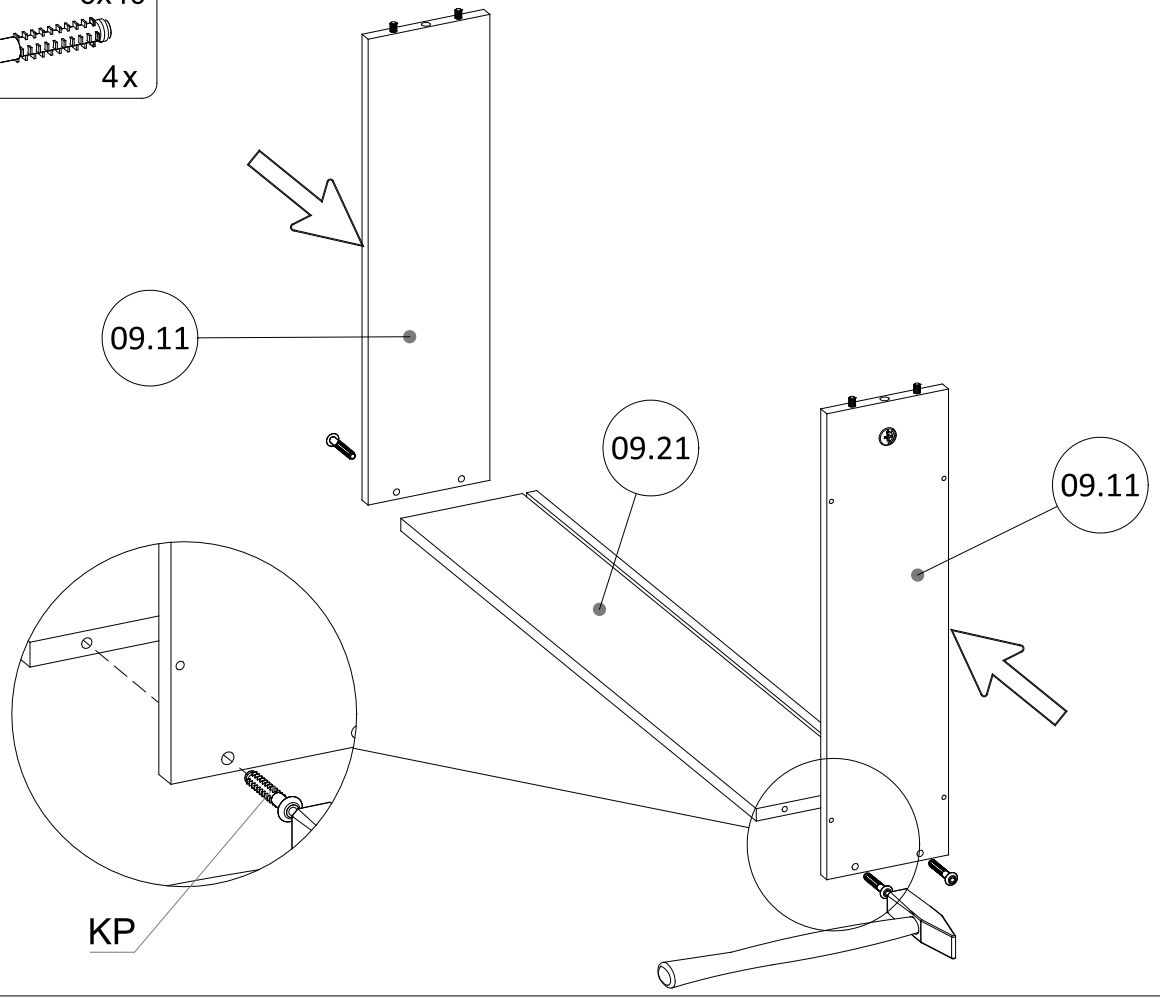
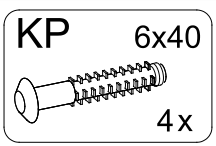
09.11

SO-01

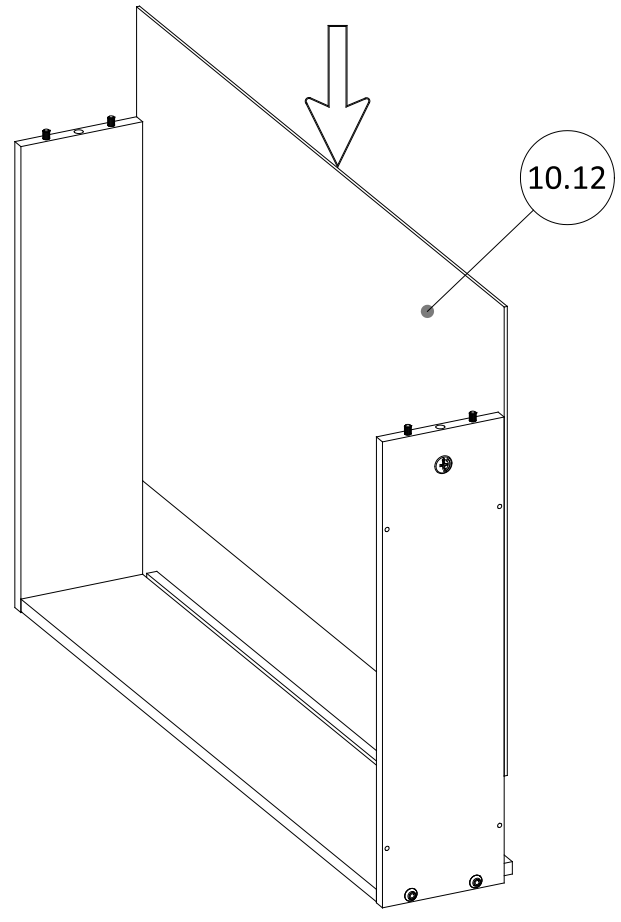
14



# 21

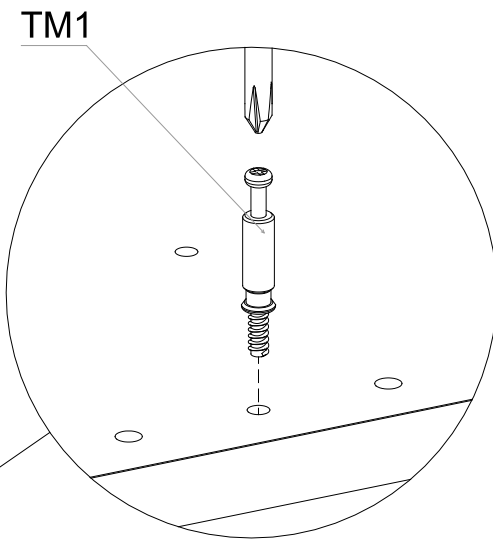
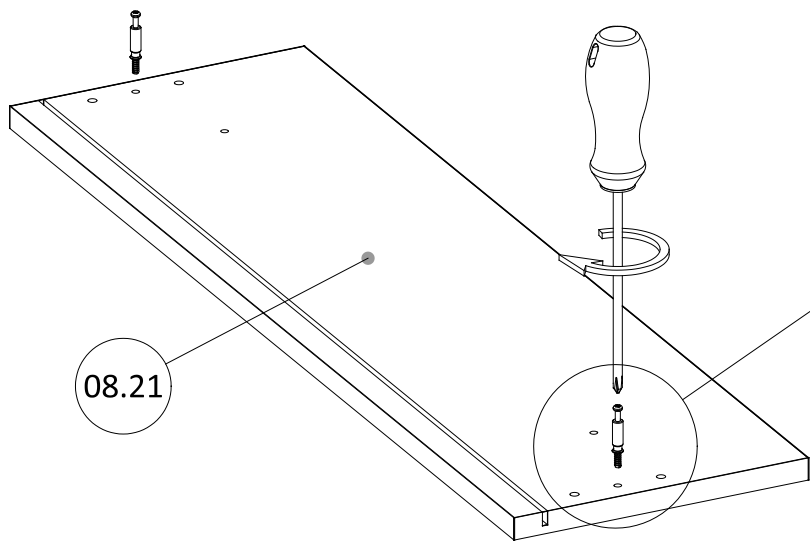
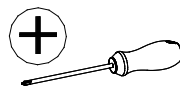
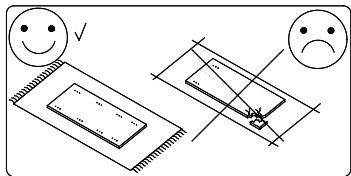
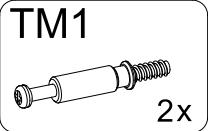


# 22

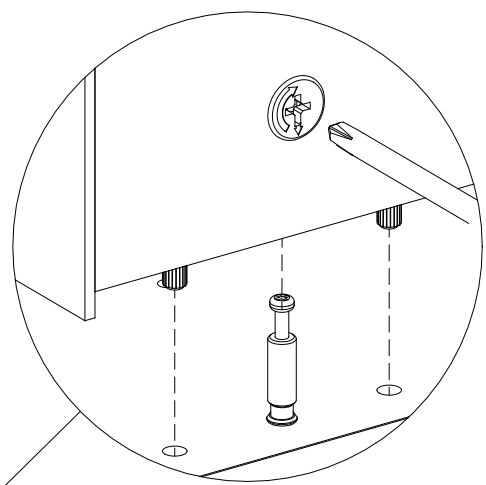
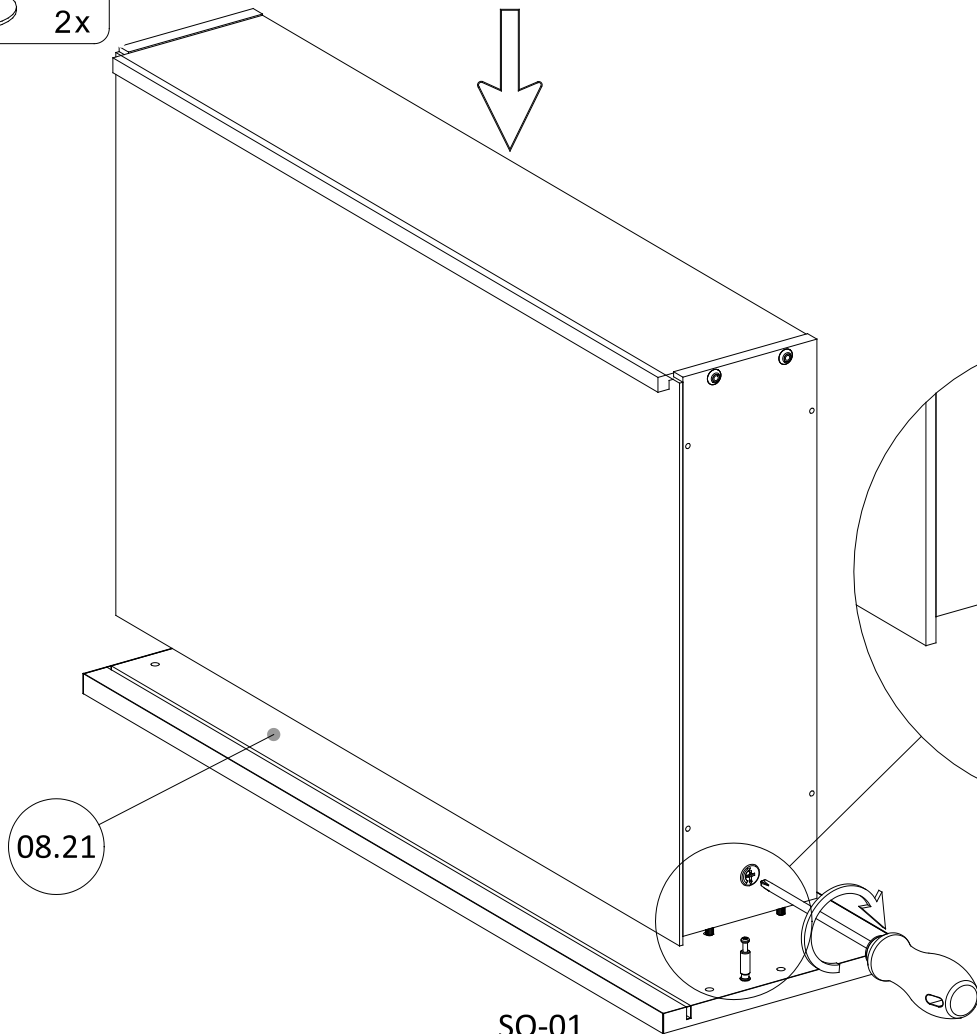
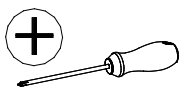
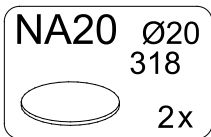




# 23

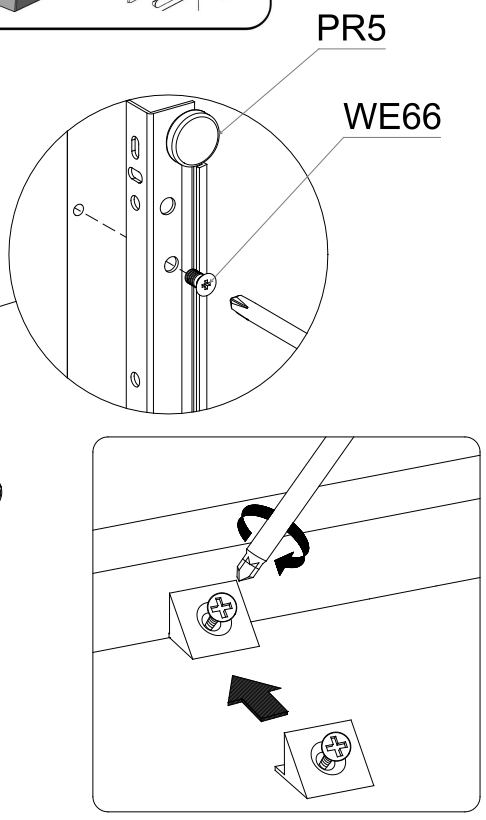
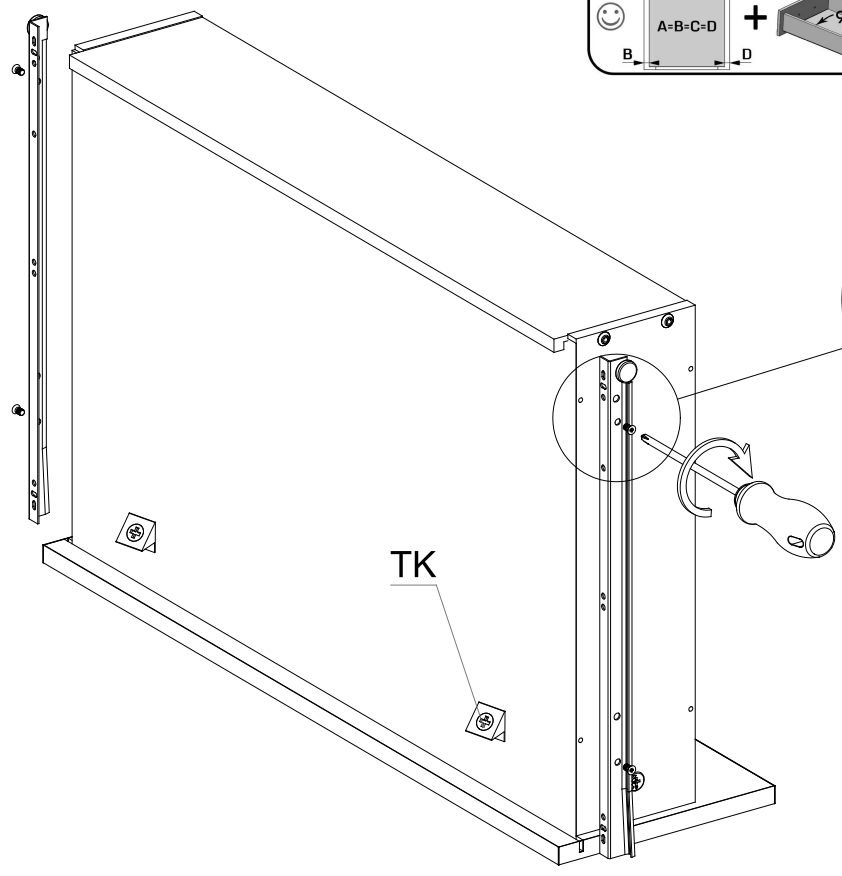
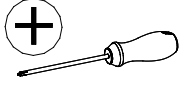
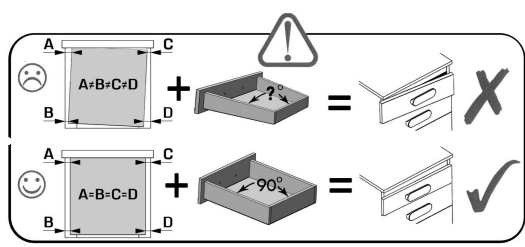
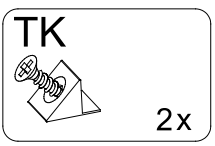
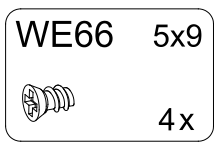
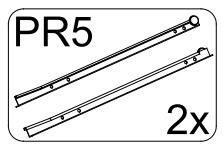


# 24

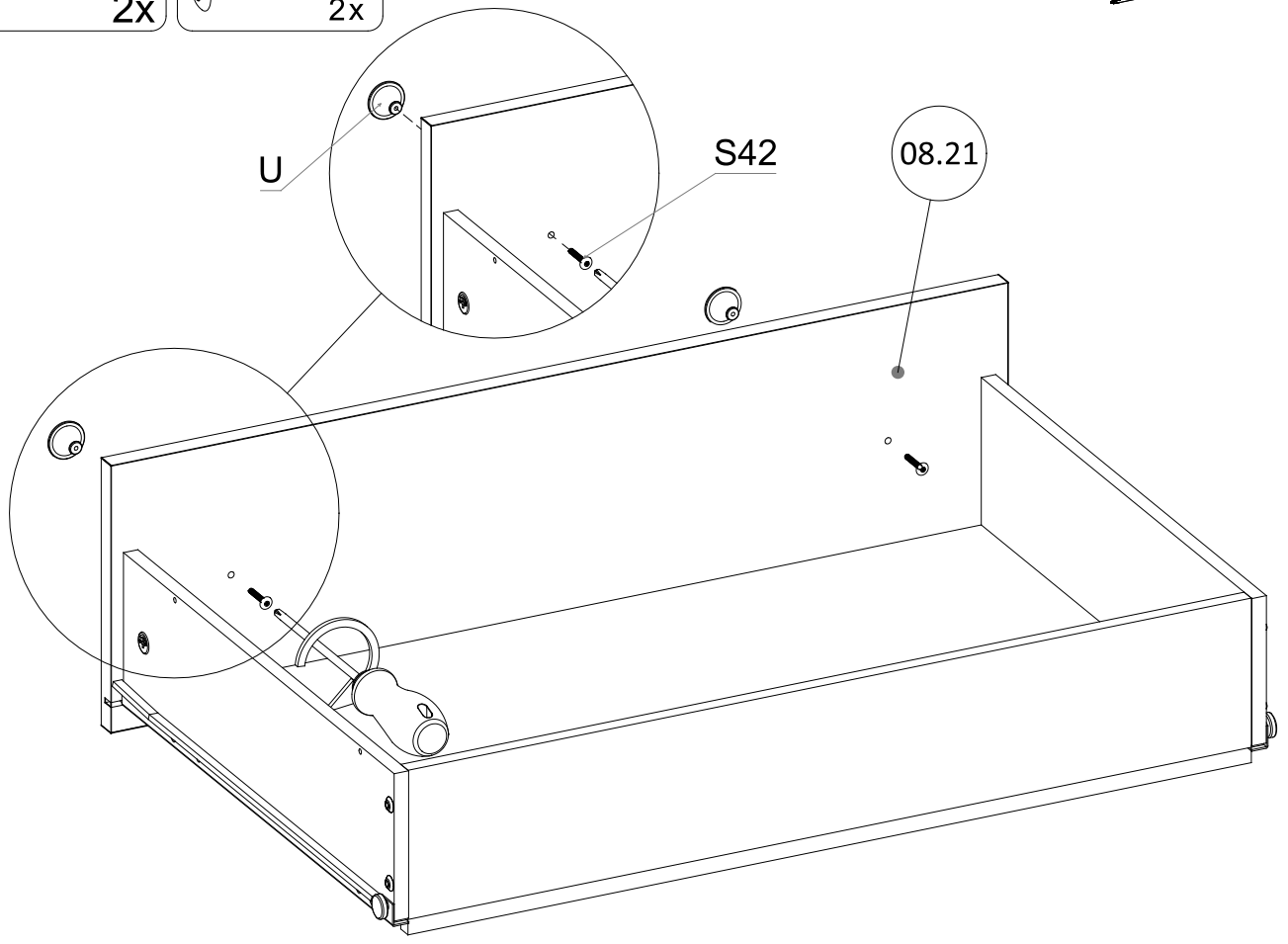
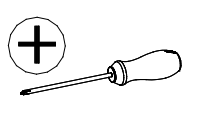
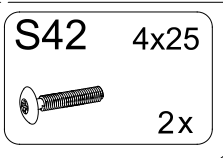
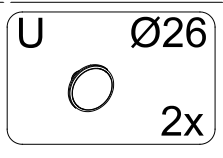


SO-01

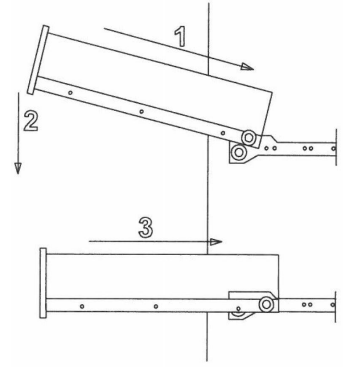
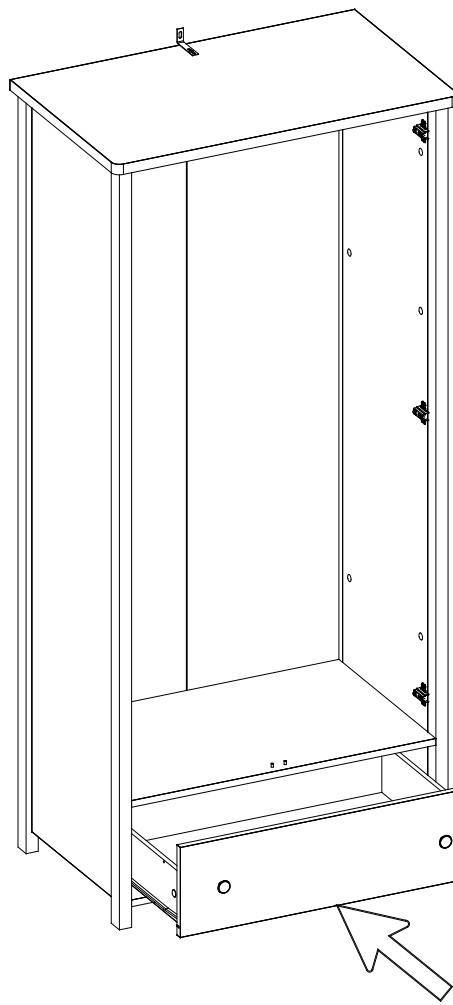
# 25



# 26

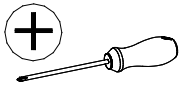
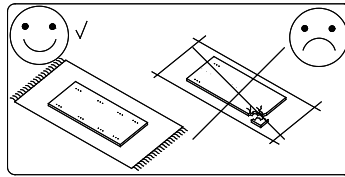
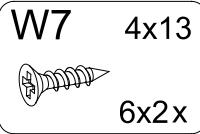
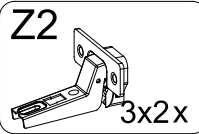


27

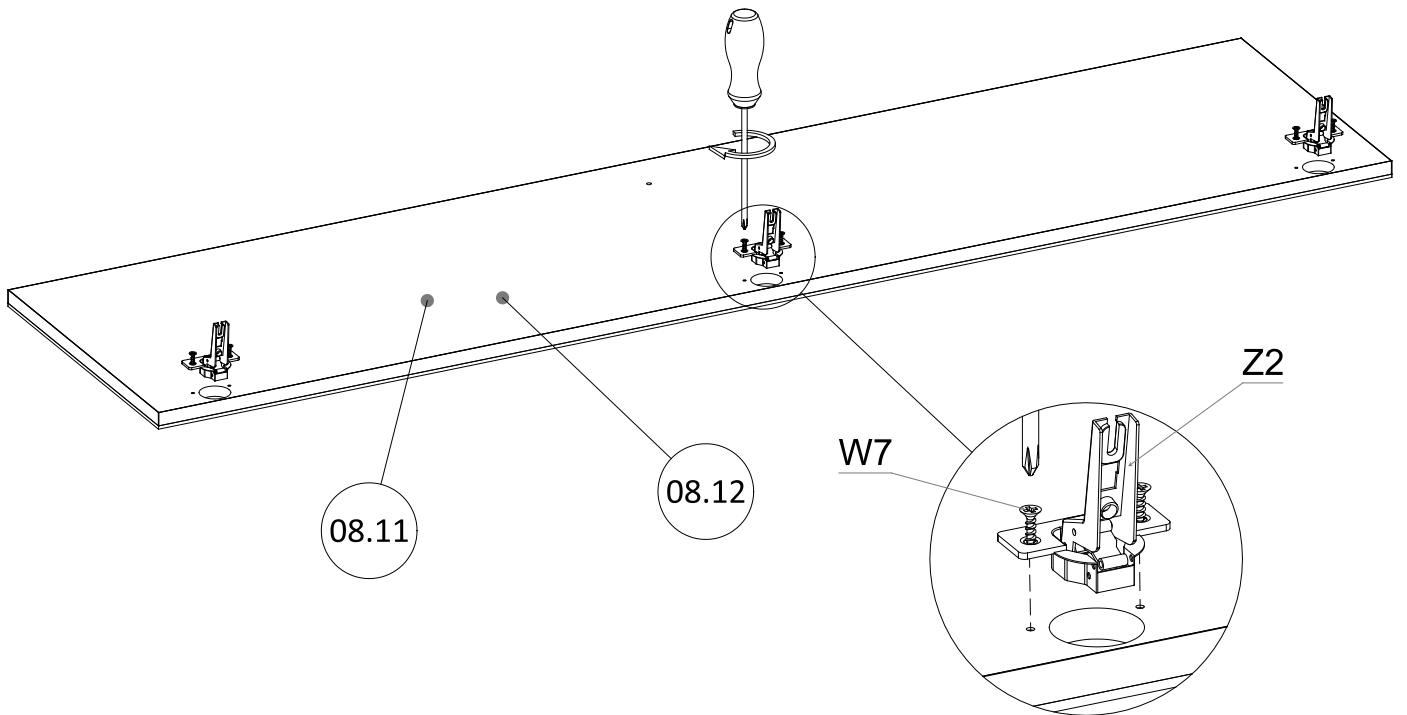


08.21


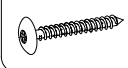
28

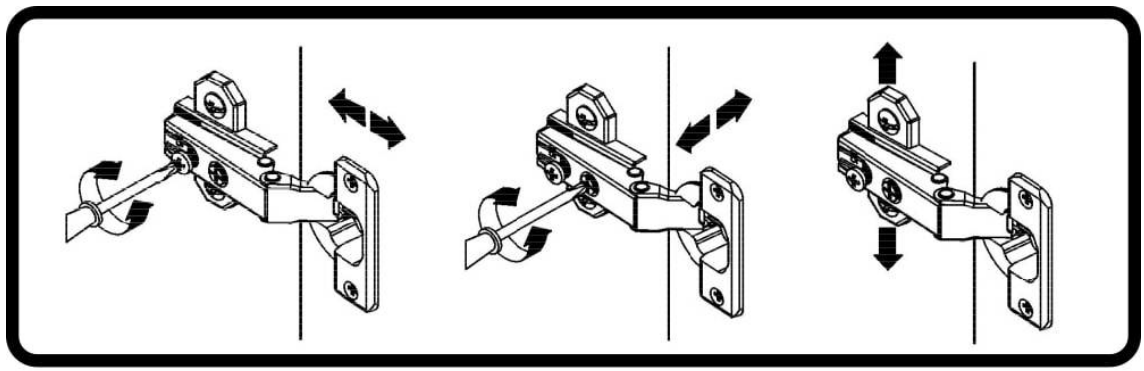
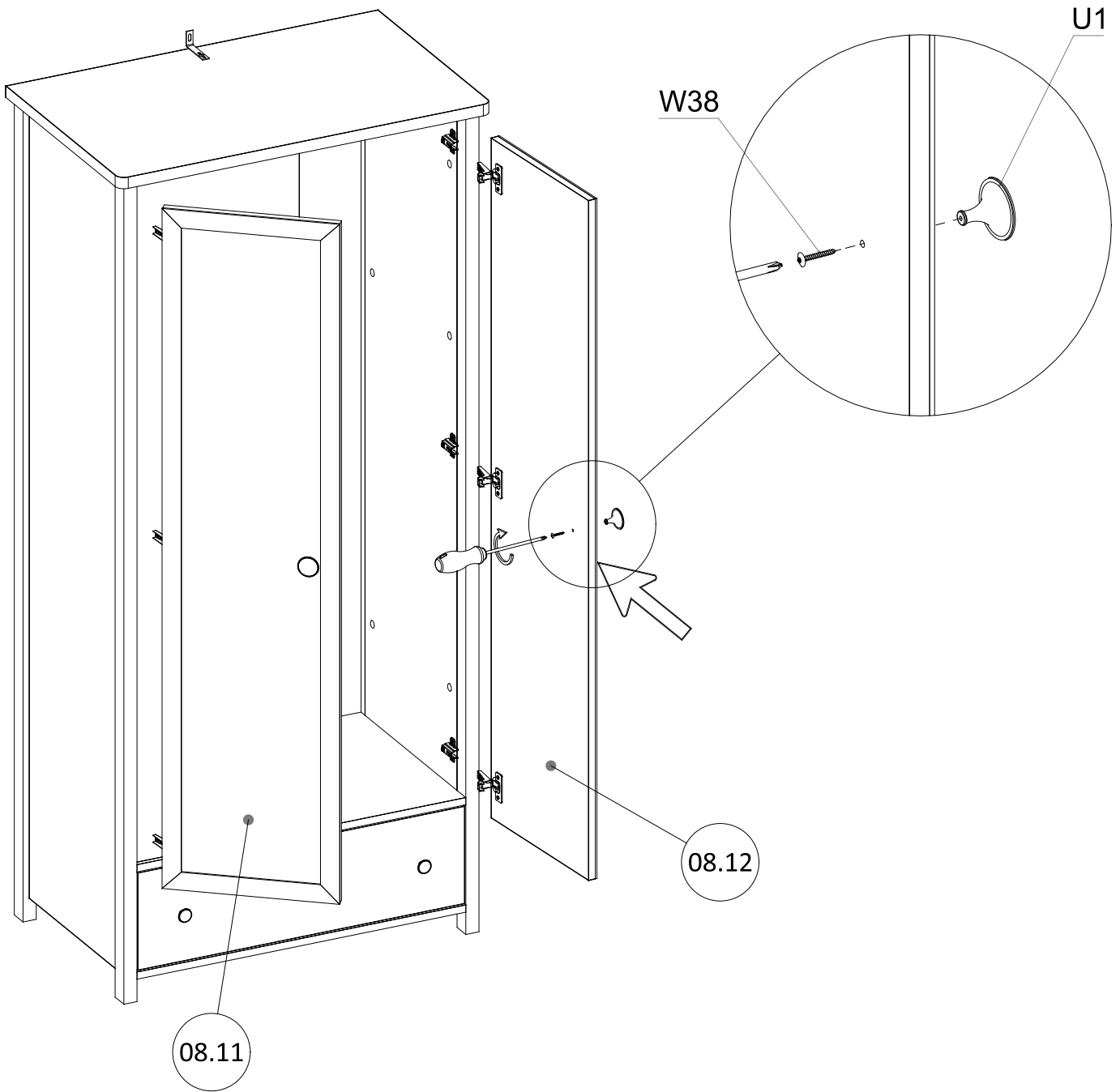
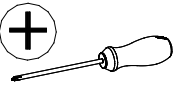


2x

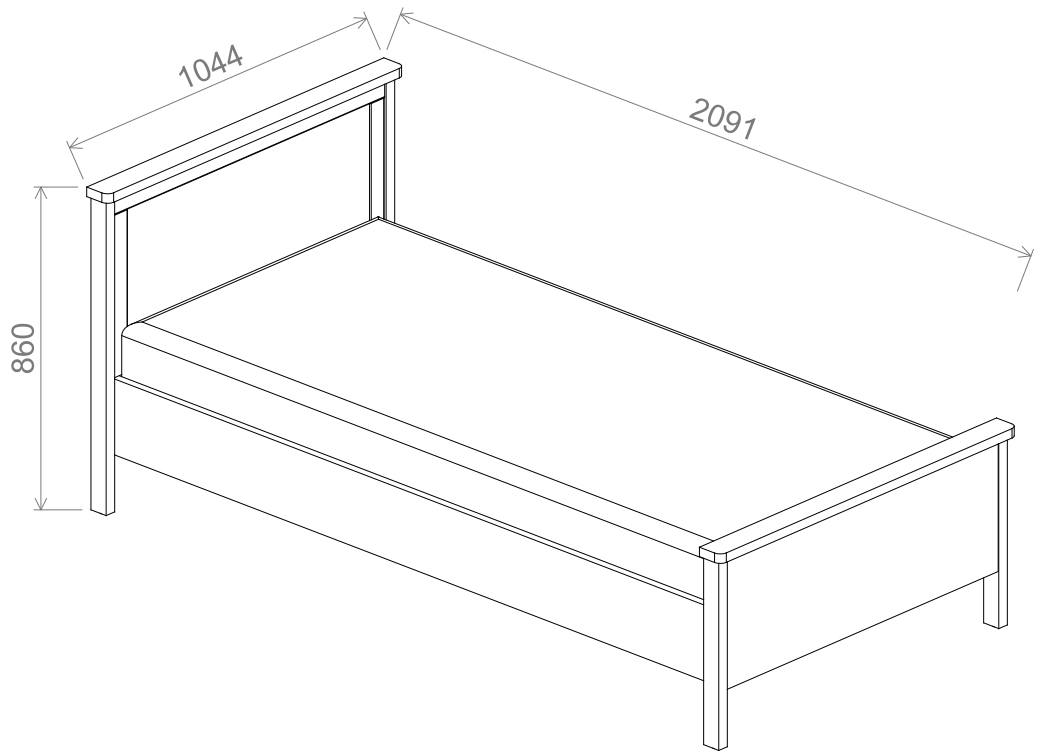


29

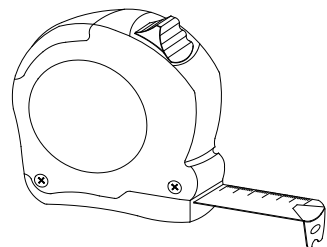
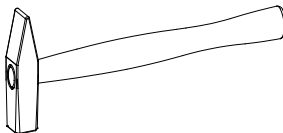
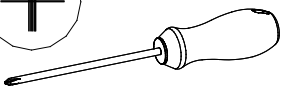
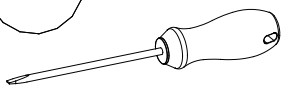
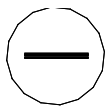
U1	Ø45	W38	4x30
	2x		2x



SO-01

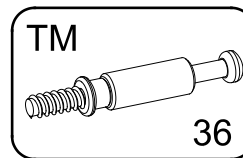
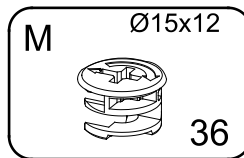
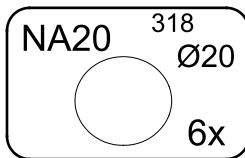
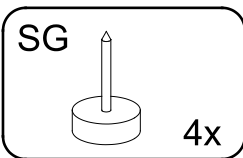
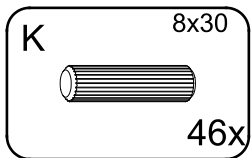
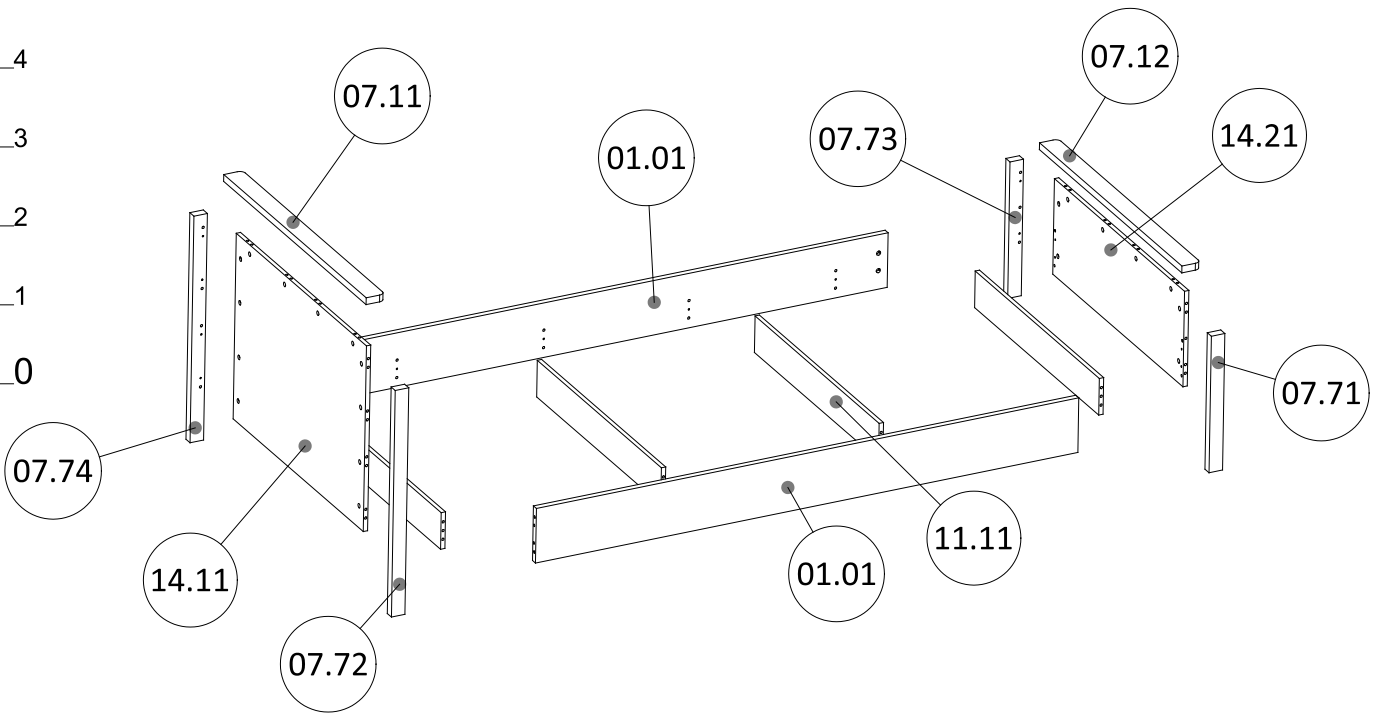
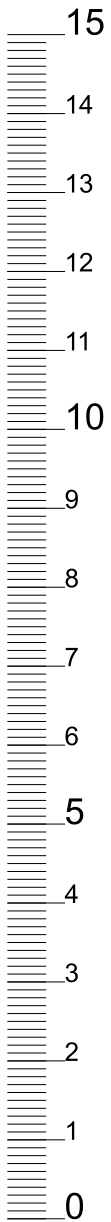


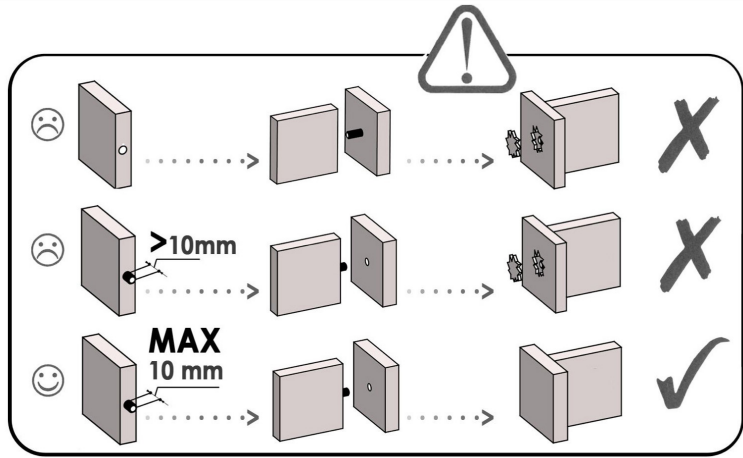
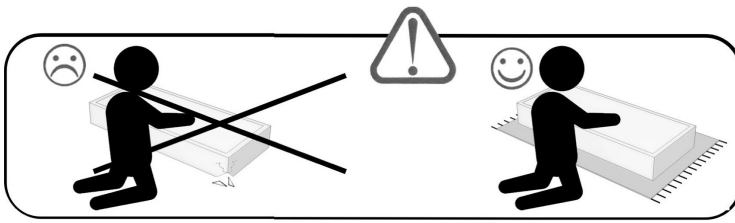
60 min



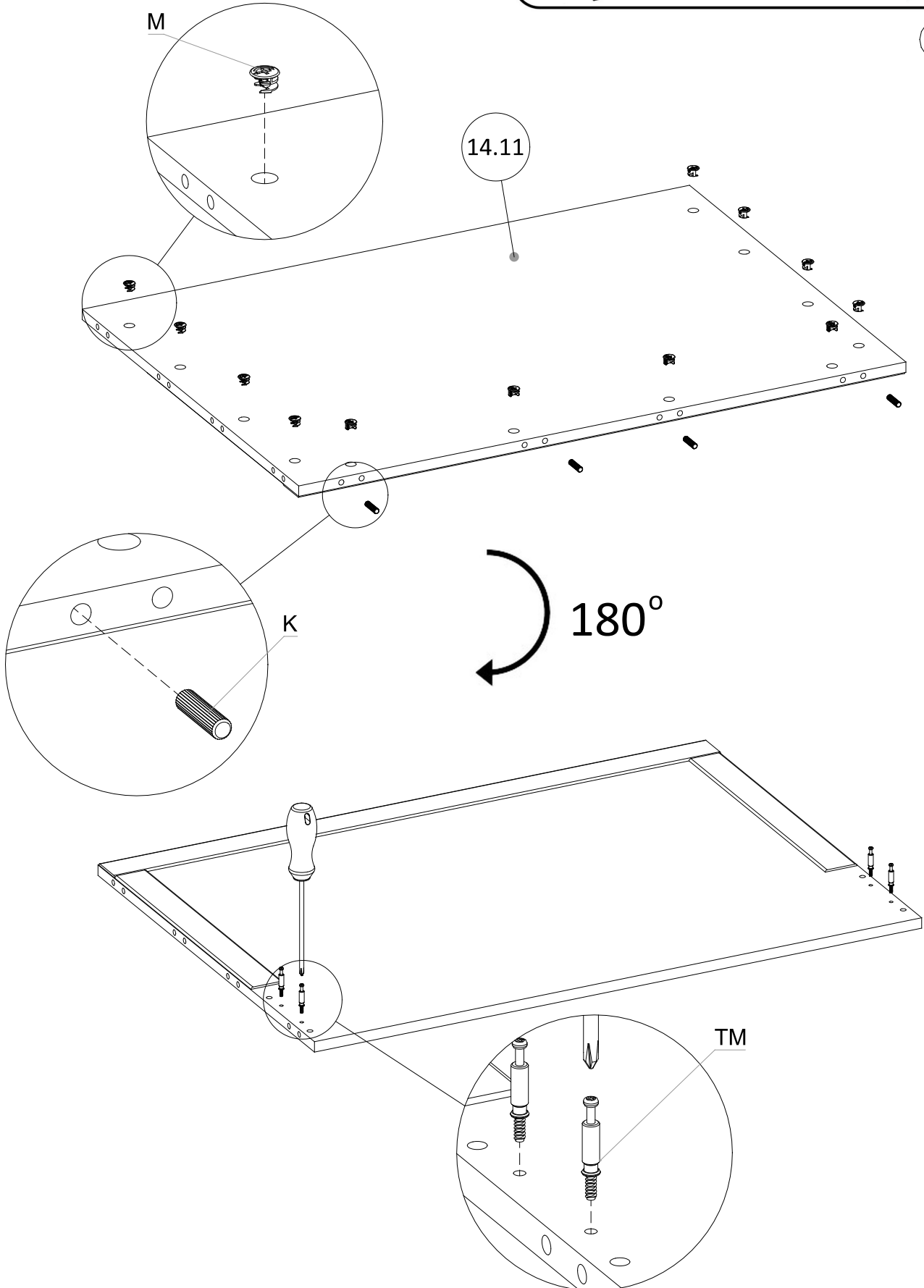
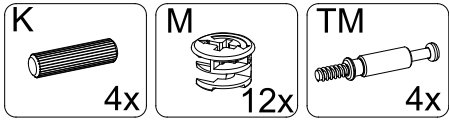
v.1

01.01	2010,0	200,0	22,0	2	1/3
07.11	1044,0	70,0	25,0	1	1/3
07.12	1044,0	70,0	25,0	1	1/3
07.71	500,0	50,0	30,0	1	2/3
07.72	830,0	50,0	30,0	1	2/3
07.73	500,0	50,0	30,0	1	2/3
07.74	830,0	50,0	30,0	1	2/3
11.11	910,0	134,0	16,0	4	2/3
14.11	954,0	680,0	16,0	1	2/3
14.21	954,0	350,0	16,0	1	2/3

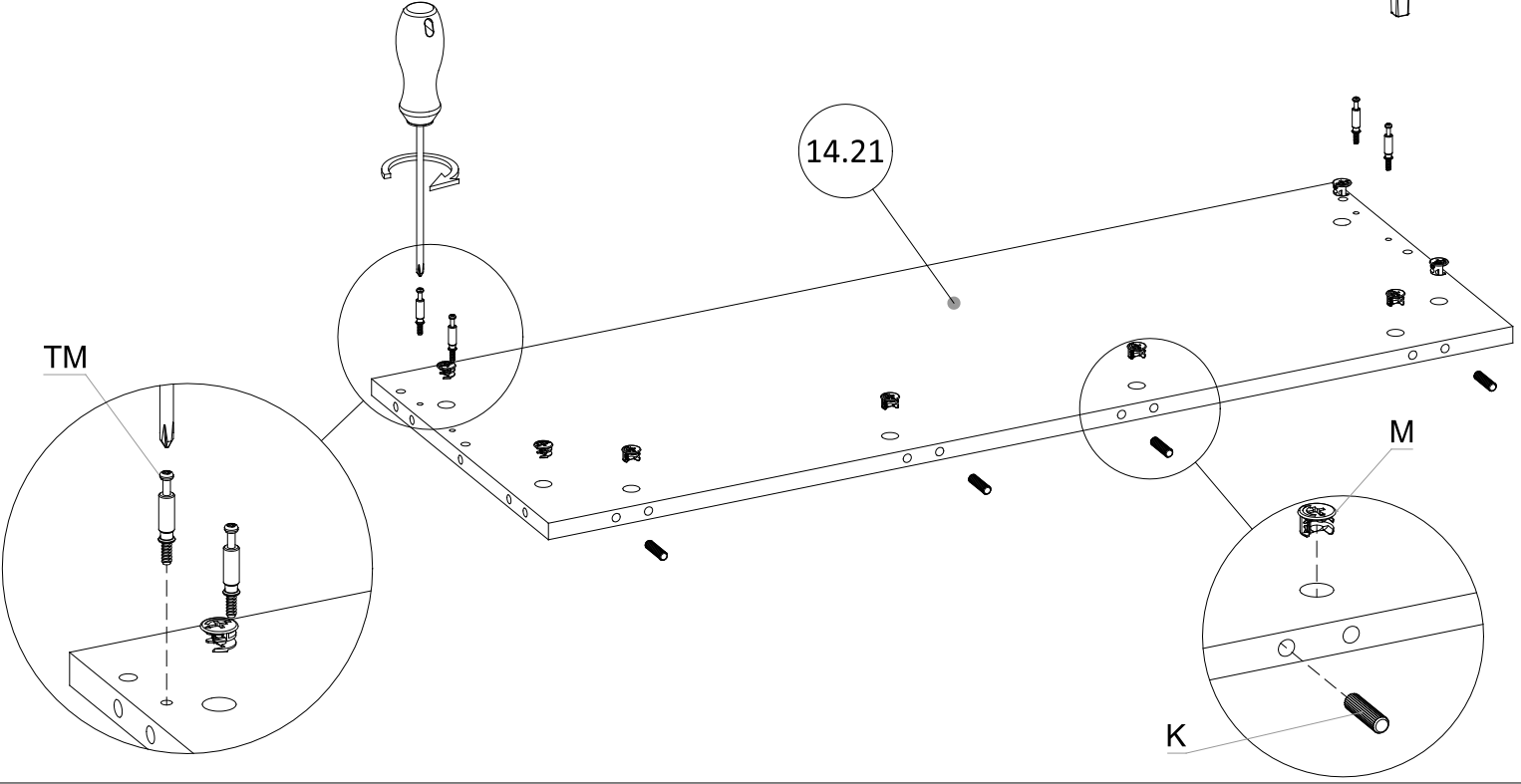
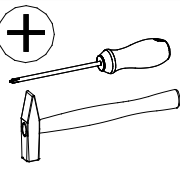
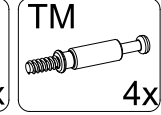
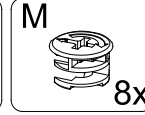
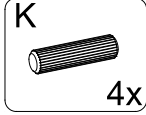




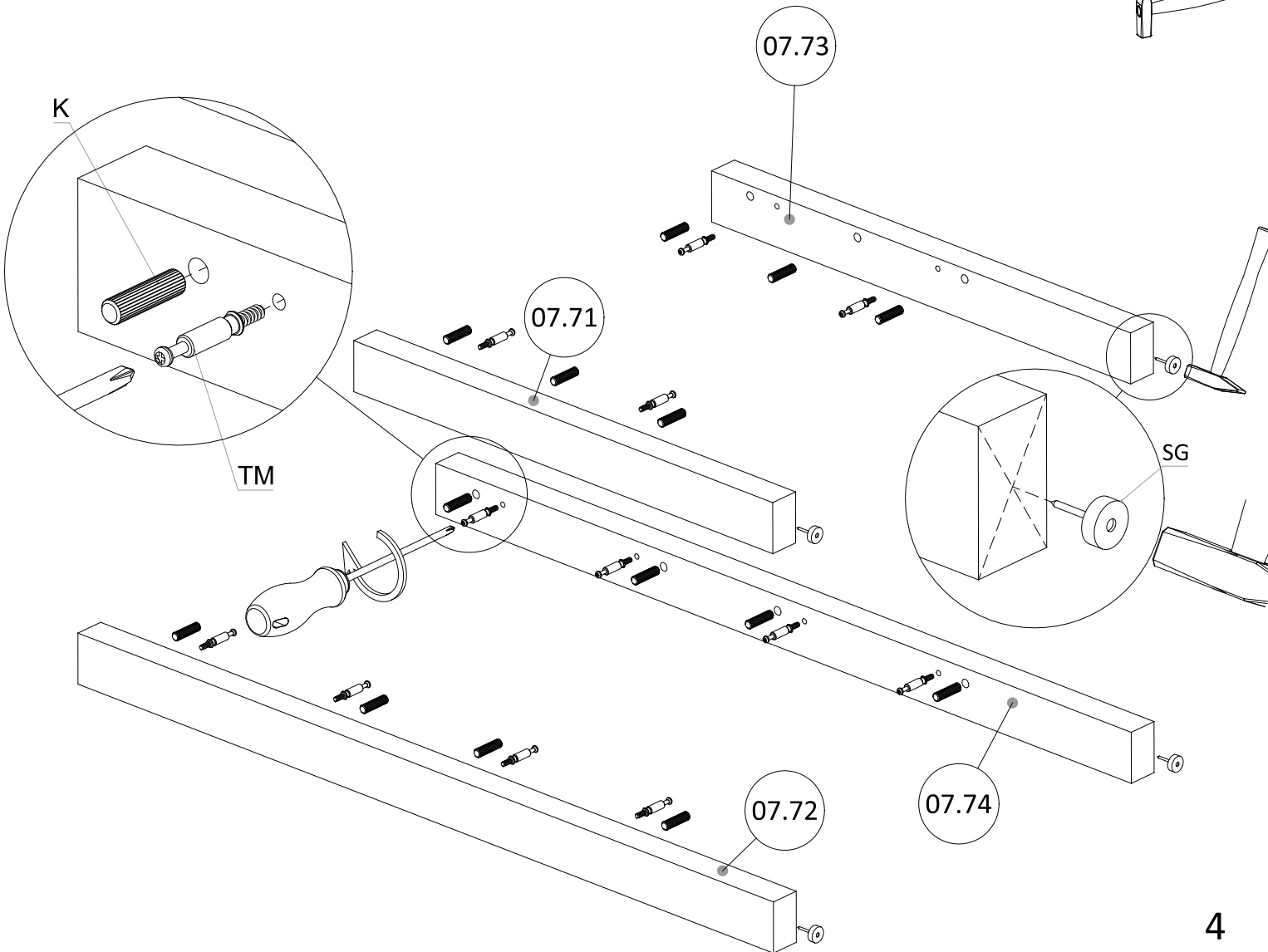
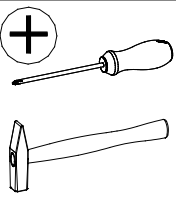
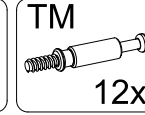
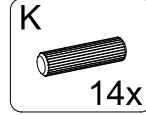
1



2

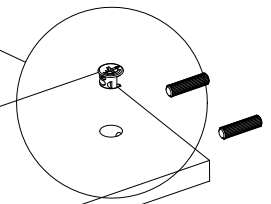
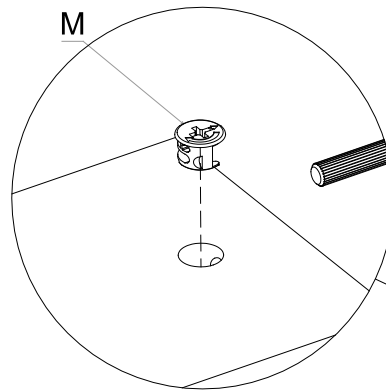
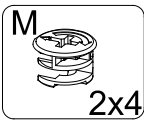
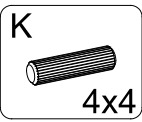


3



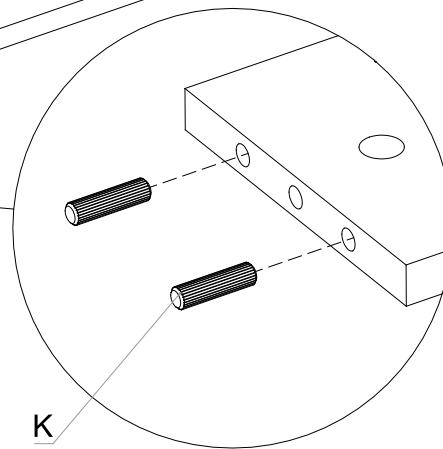
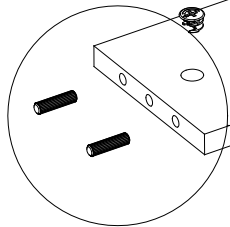


4

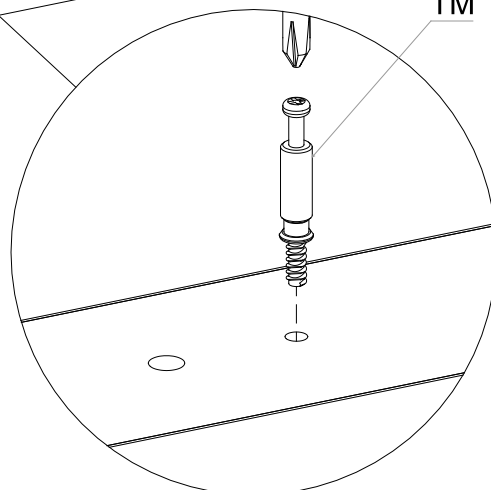
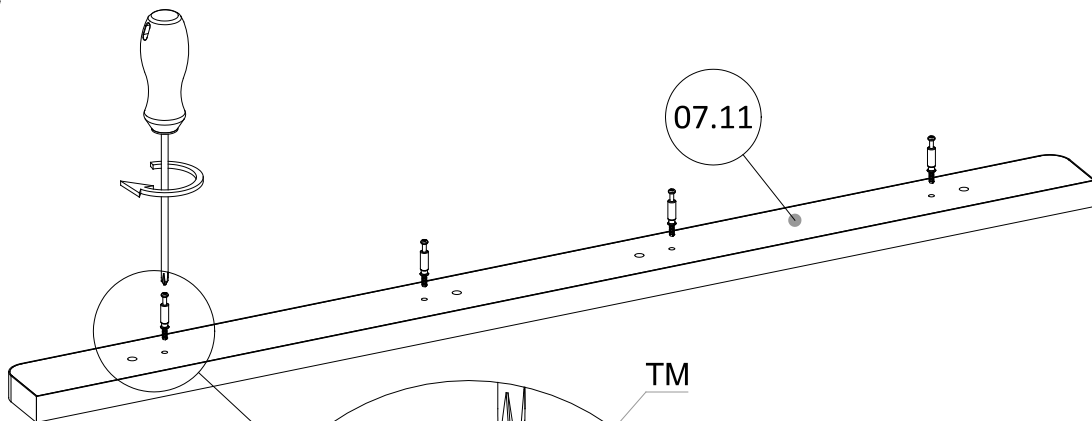
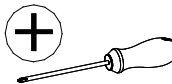
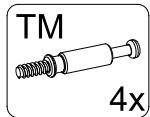


4x

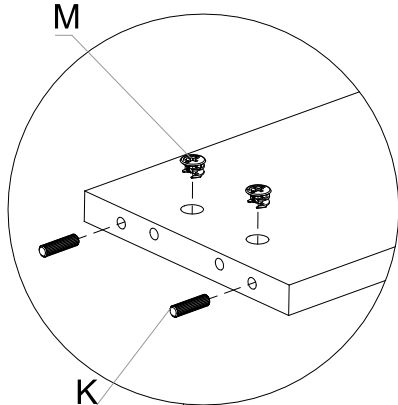
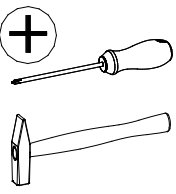
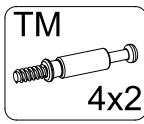
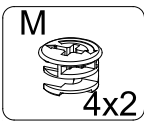
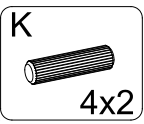
11.11



5

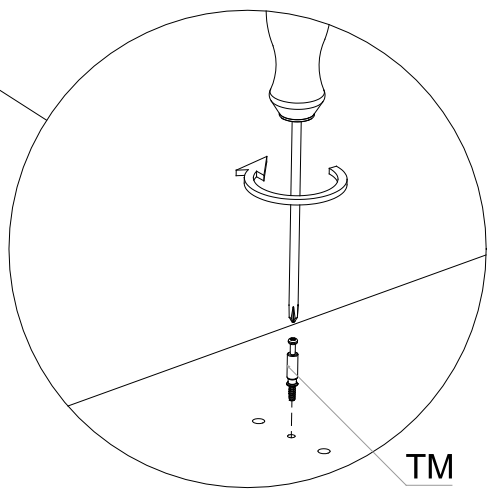
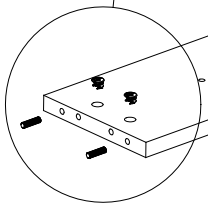
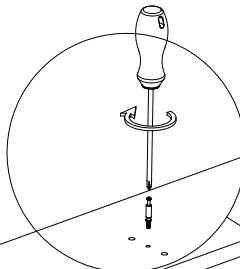


# 6

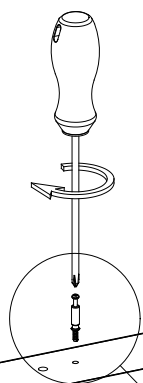
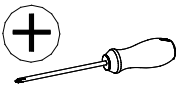
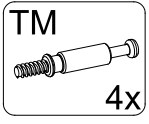


# 2x

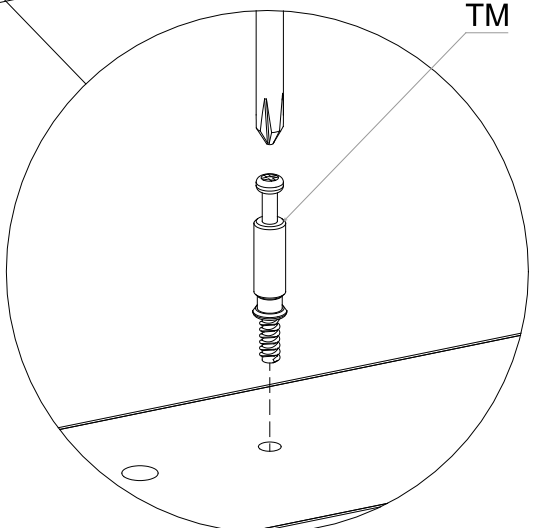
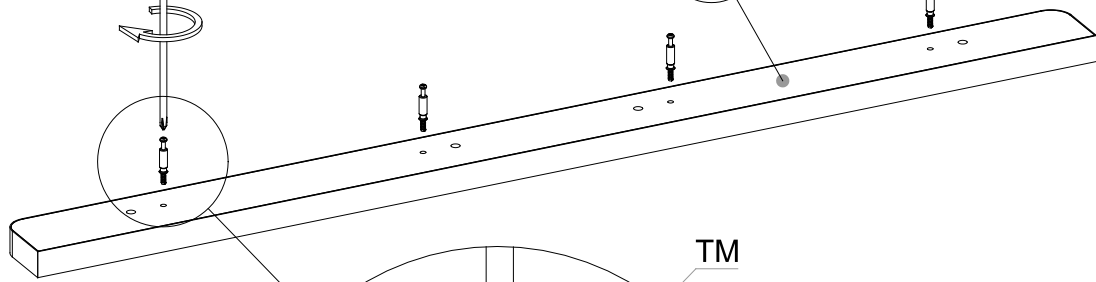
01.01



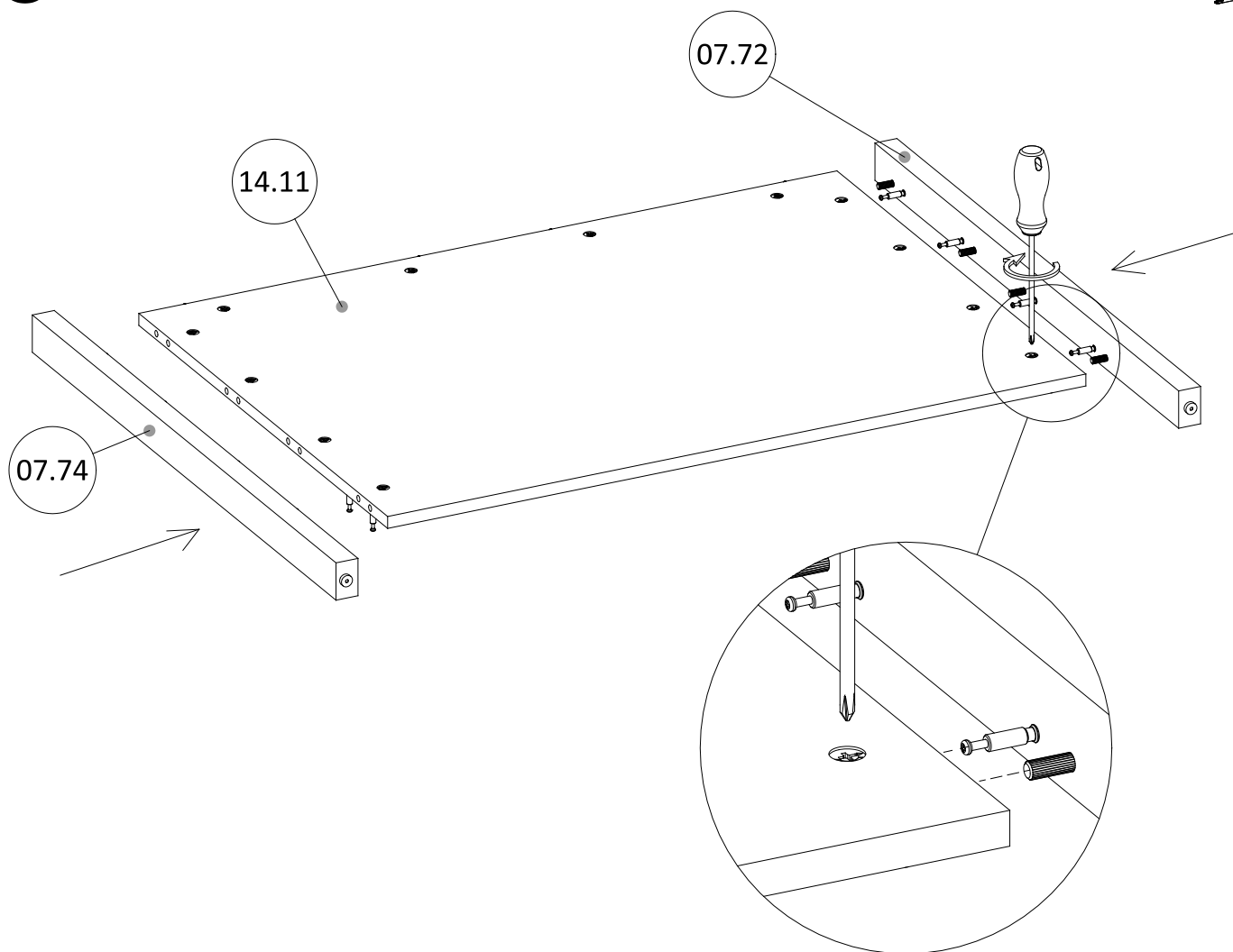
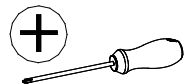
# 7



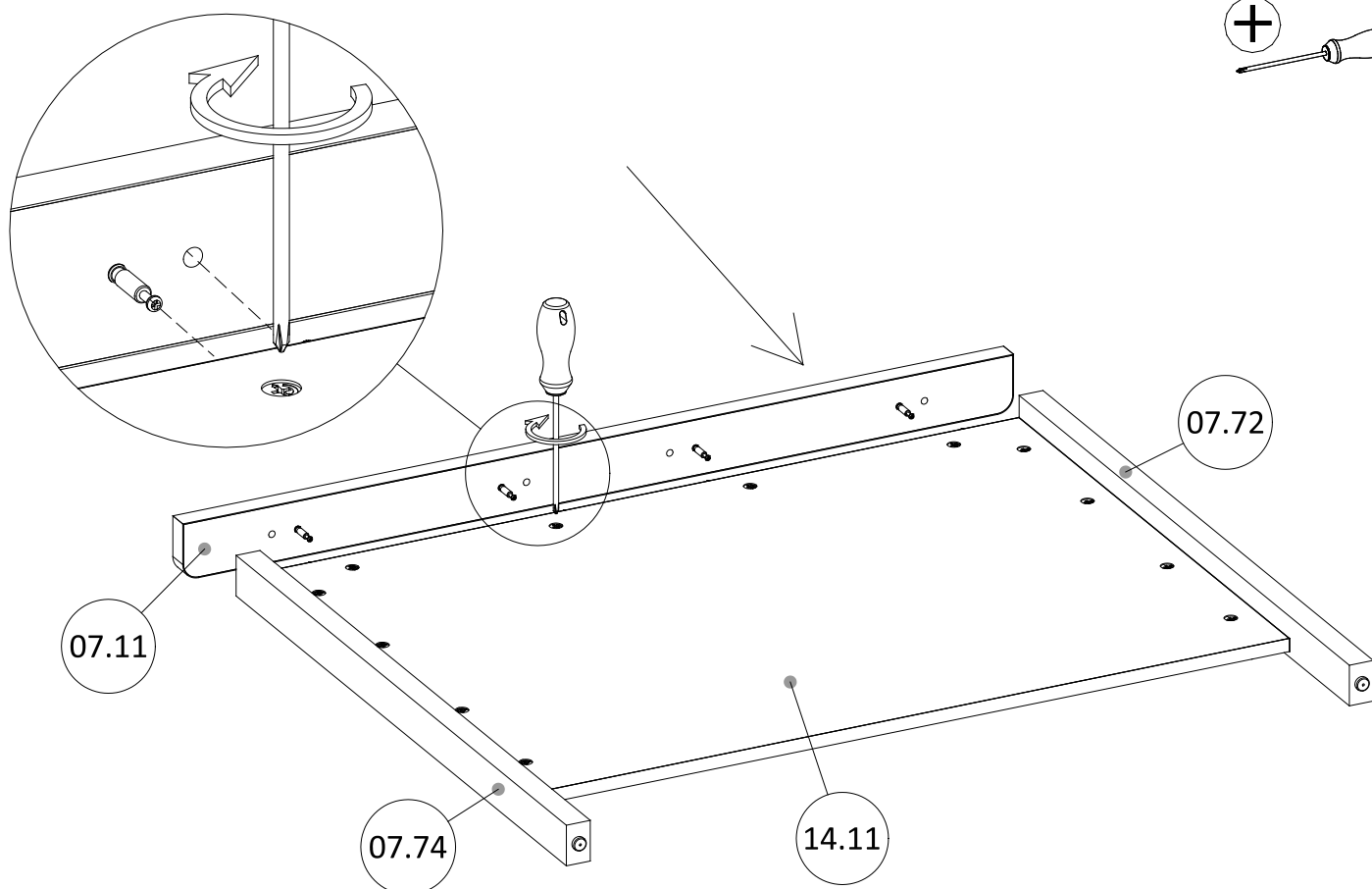
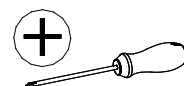
07.12



8

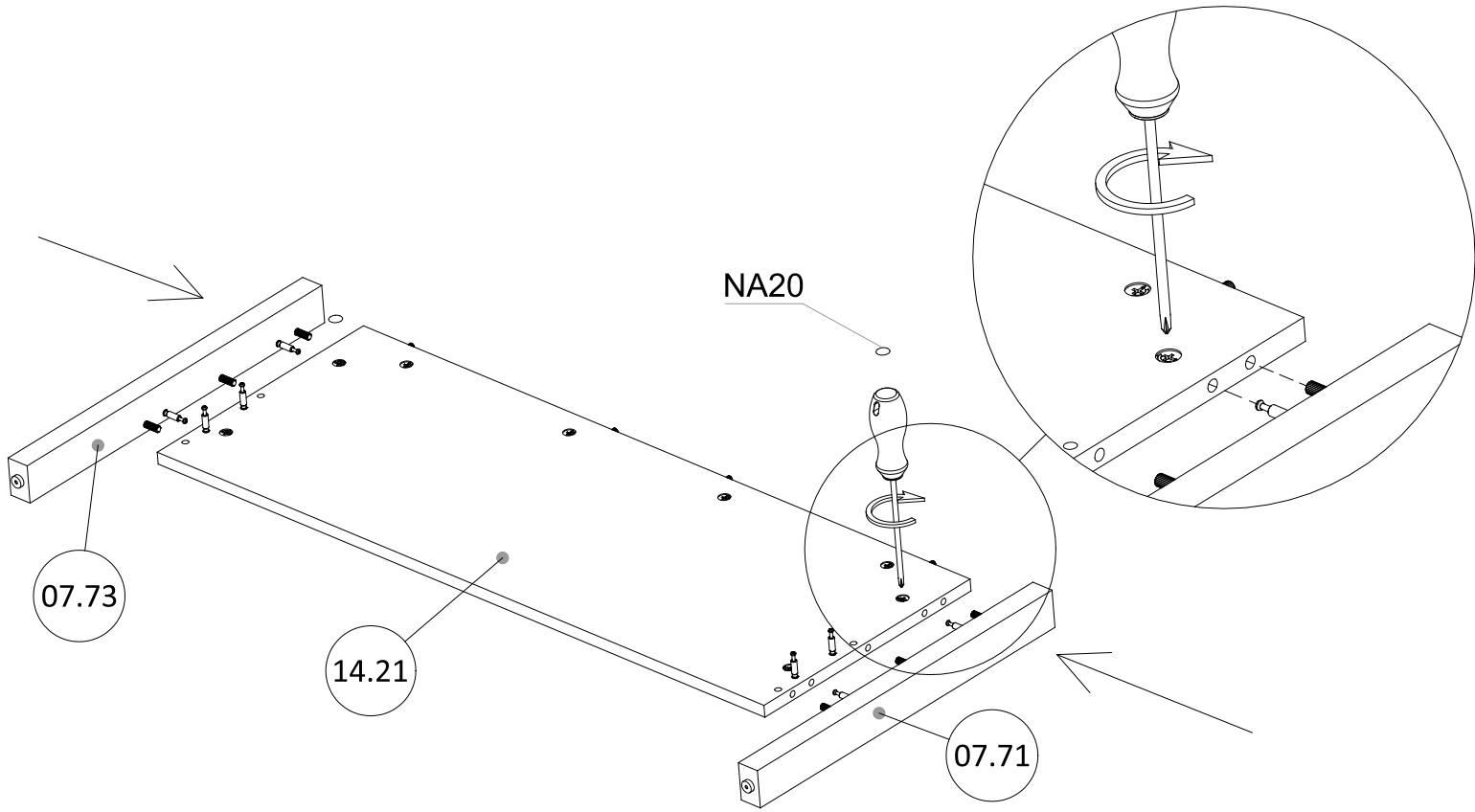
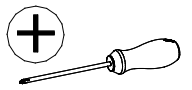


9



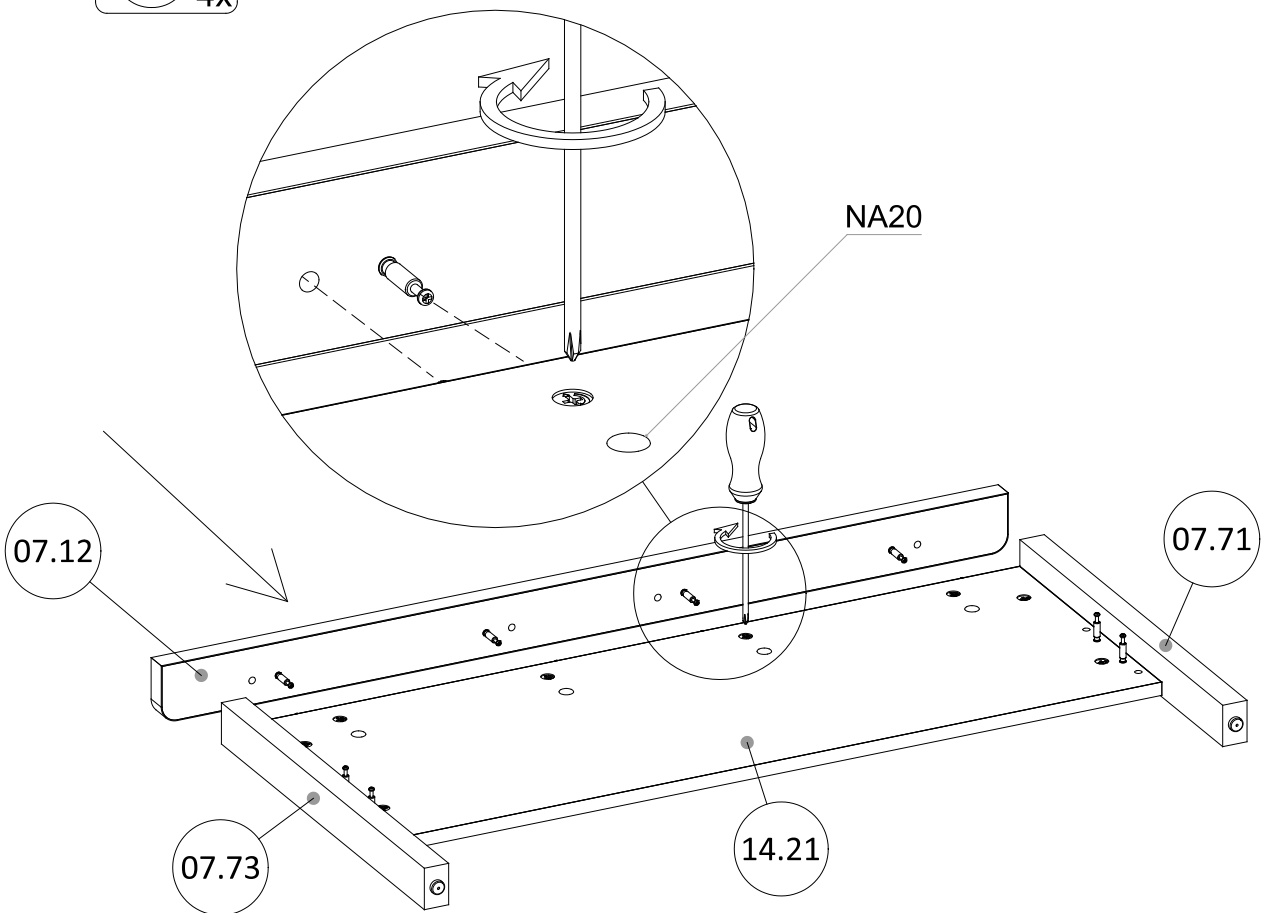
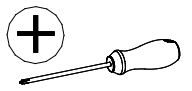
# 10

NA20  
○  
2x

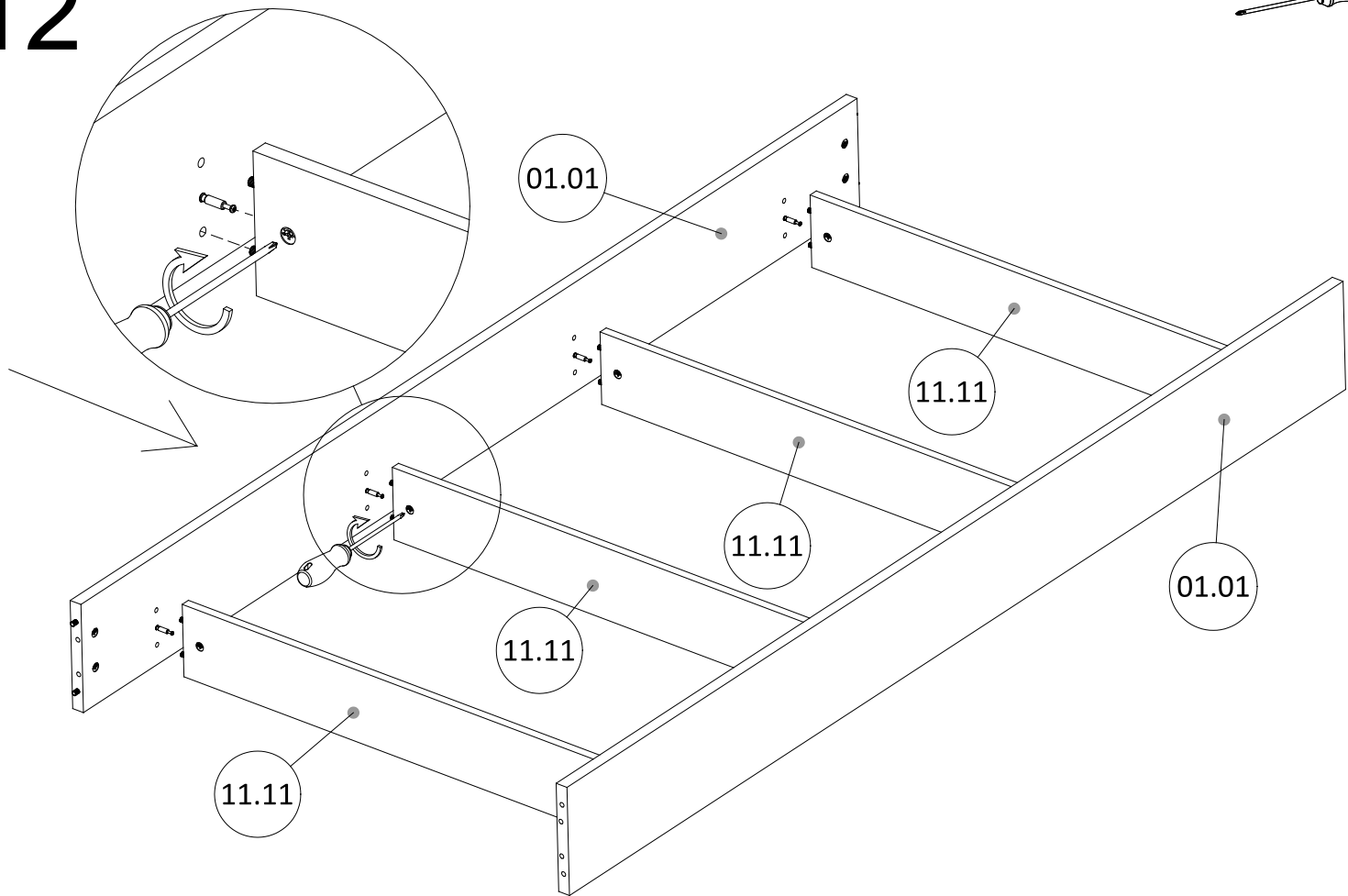
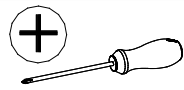


# 11

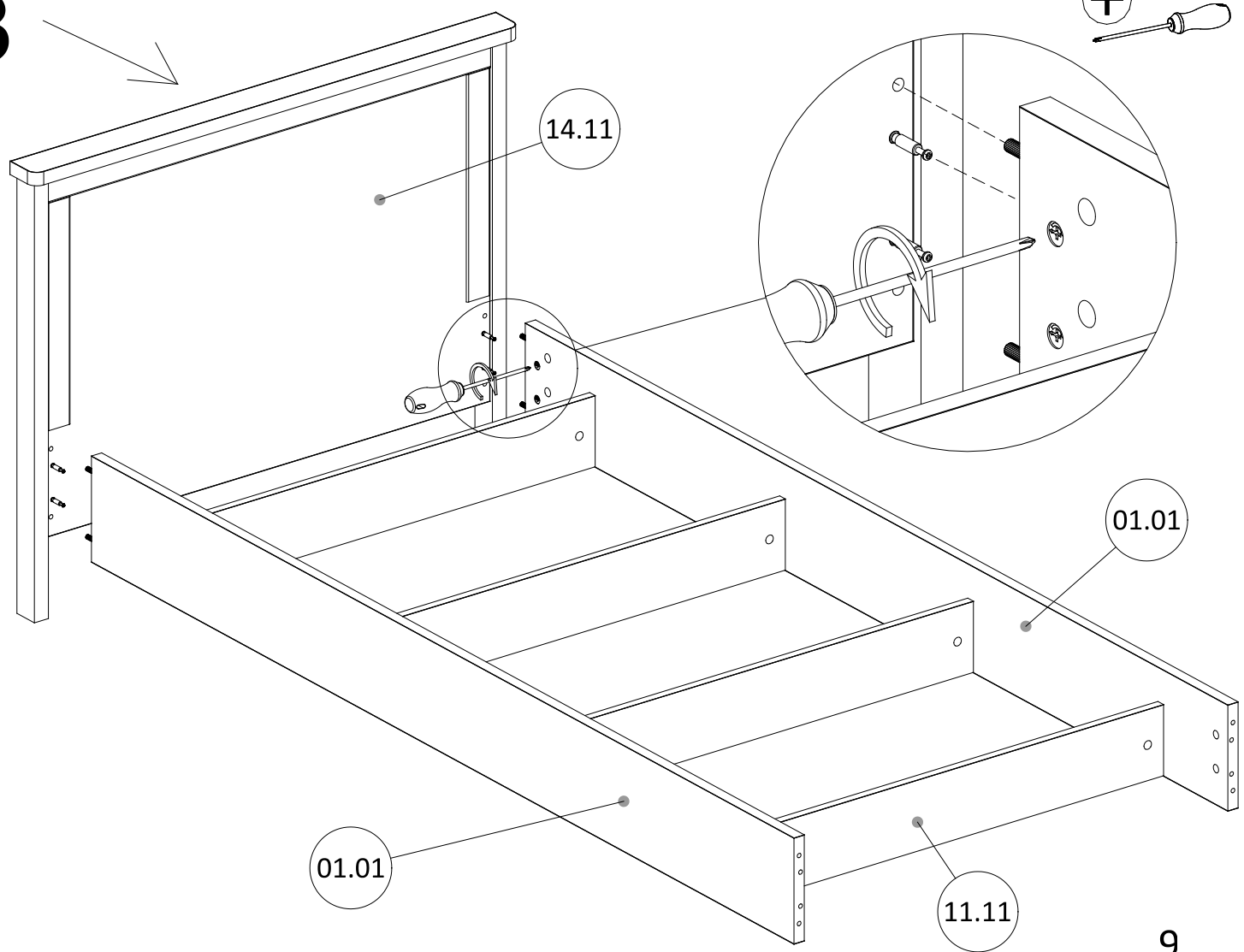
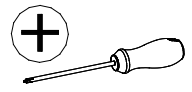
NA20  
○  
4x

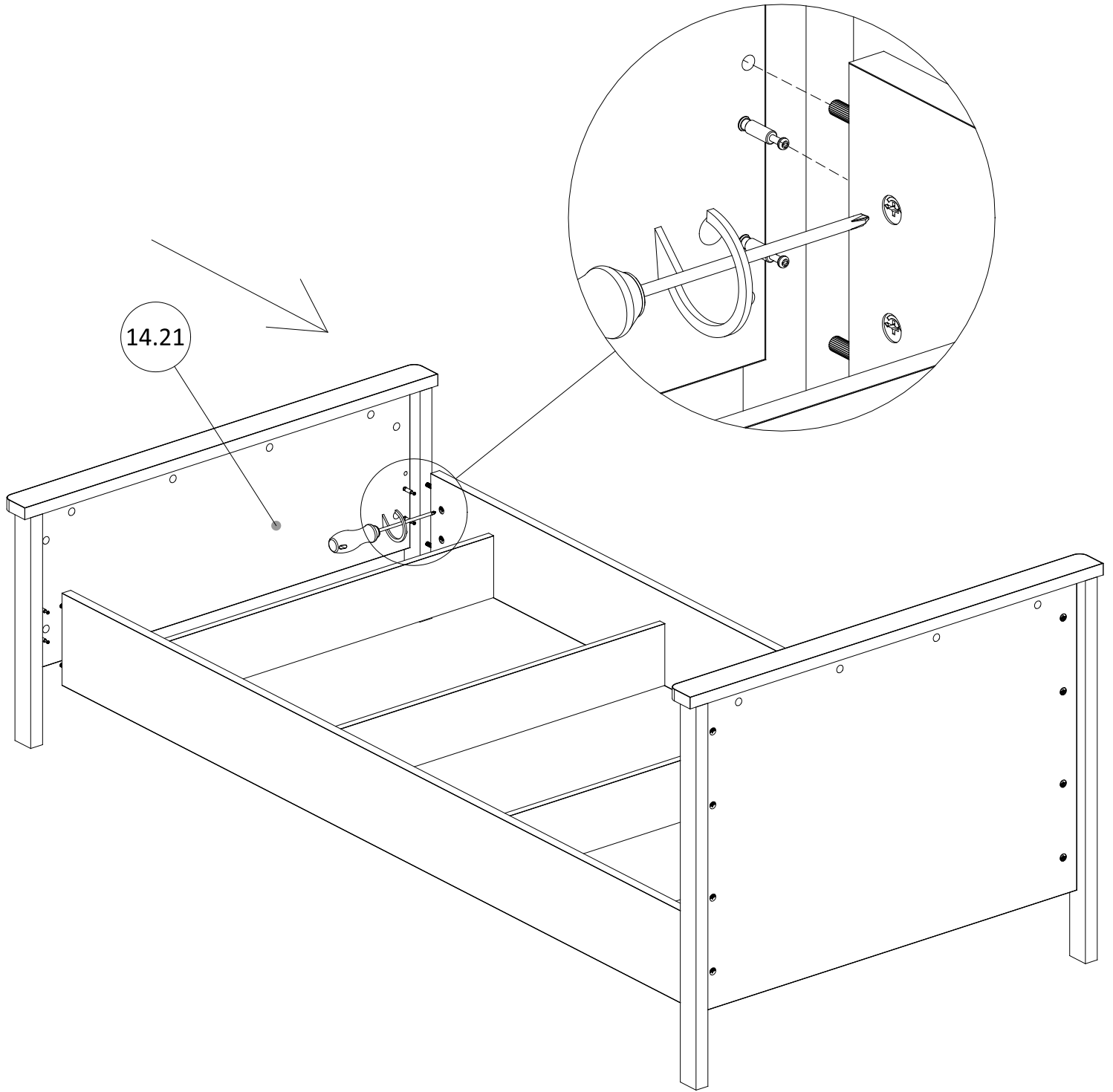
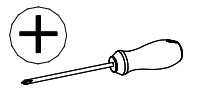


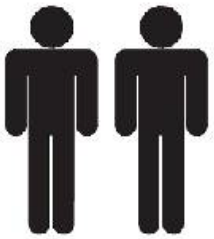
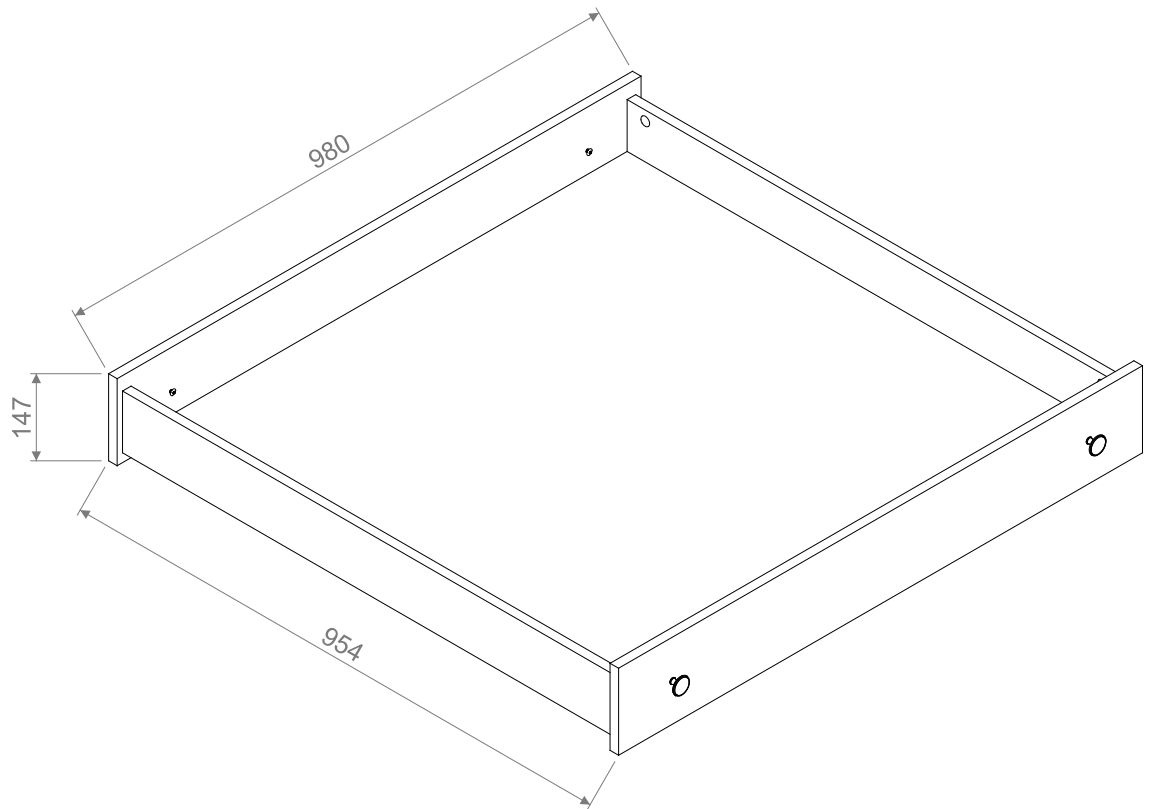
# 12



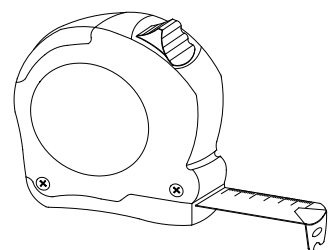
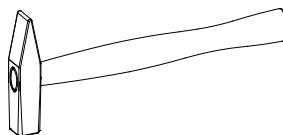
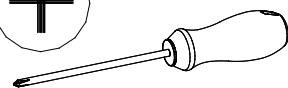
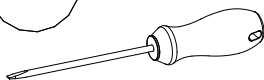
# 13

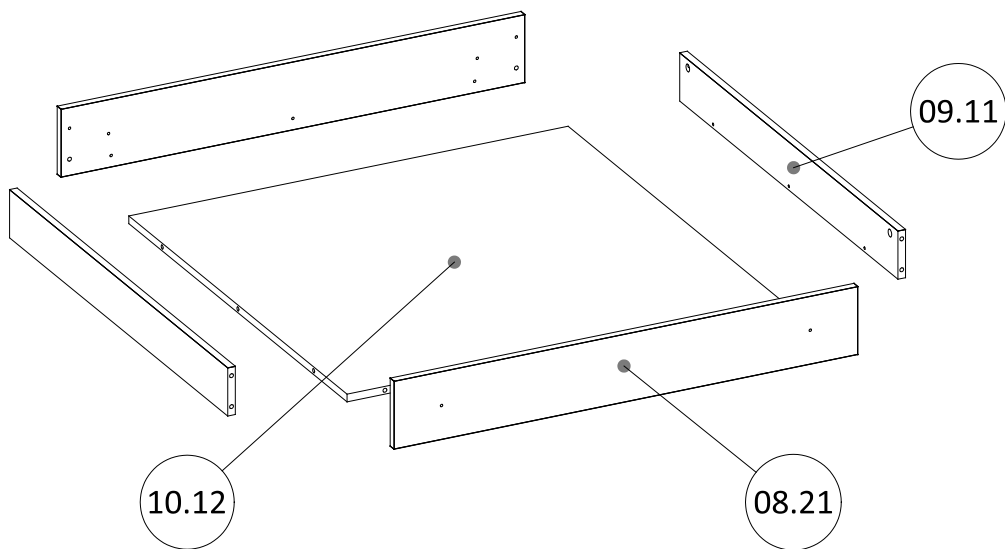
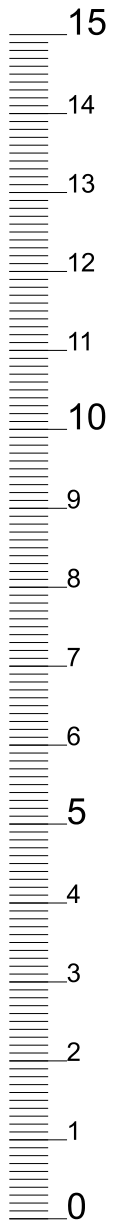




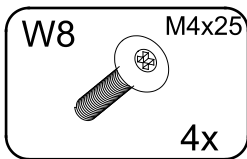
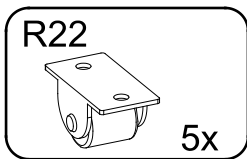
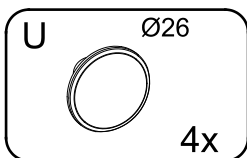
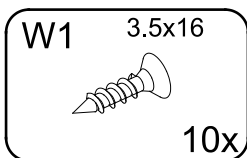
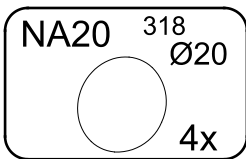
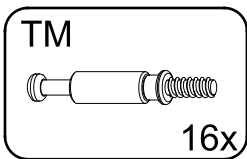
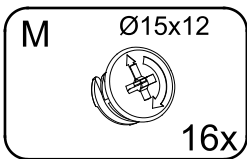
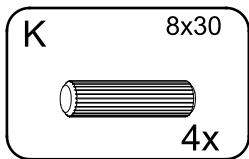


30 min

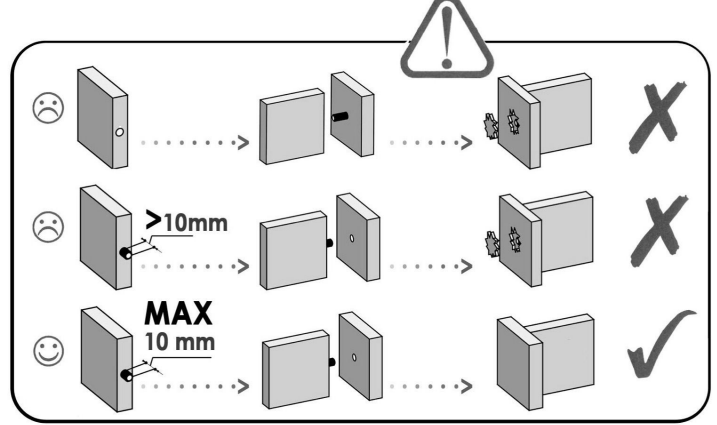
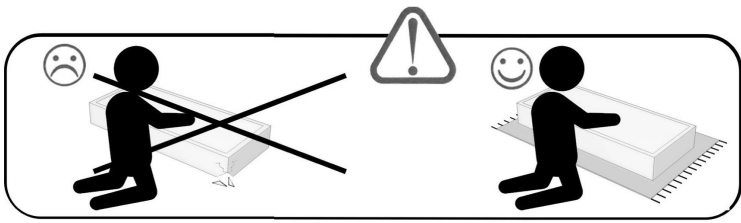




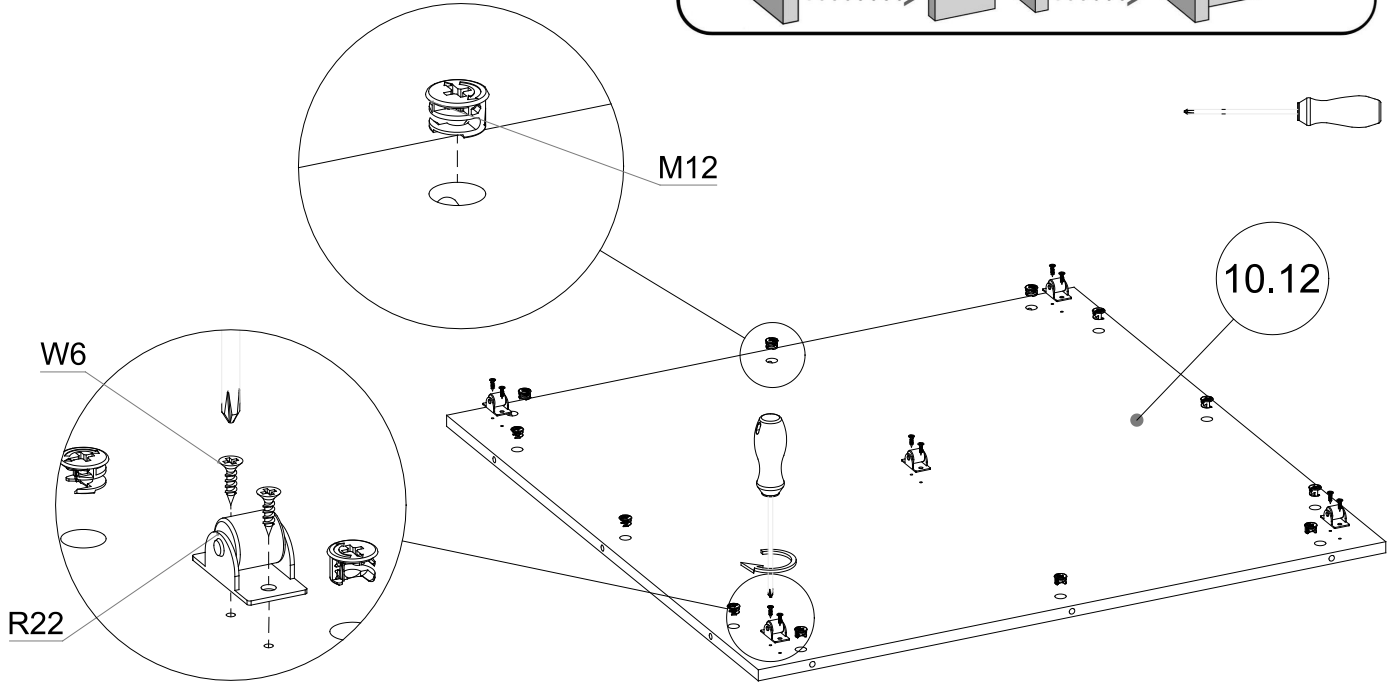
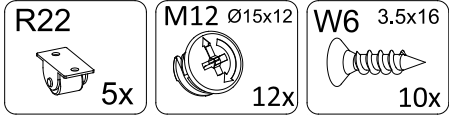
08.21	980	141	2
09.11	922	100	2
10.12	928	922	1



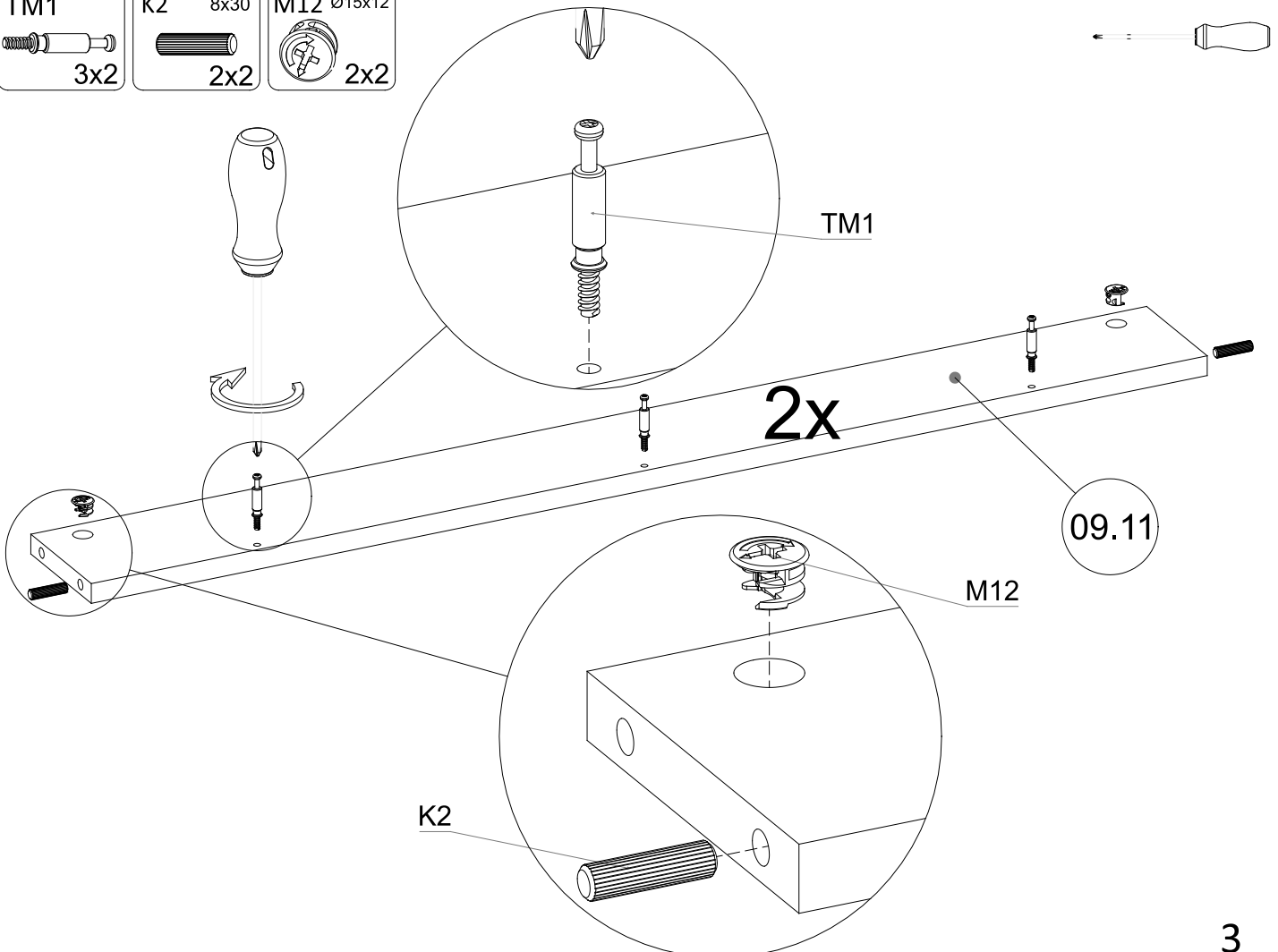
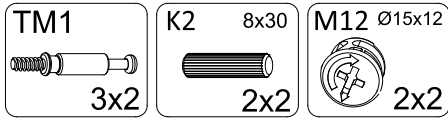




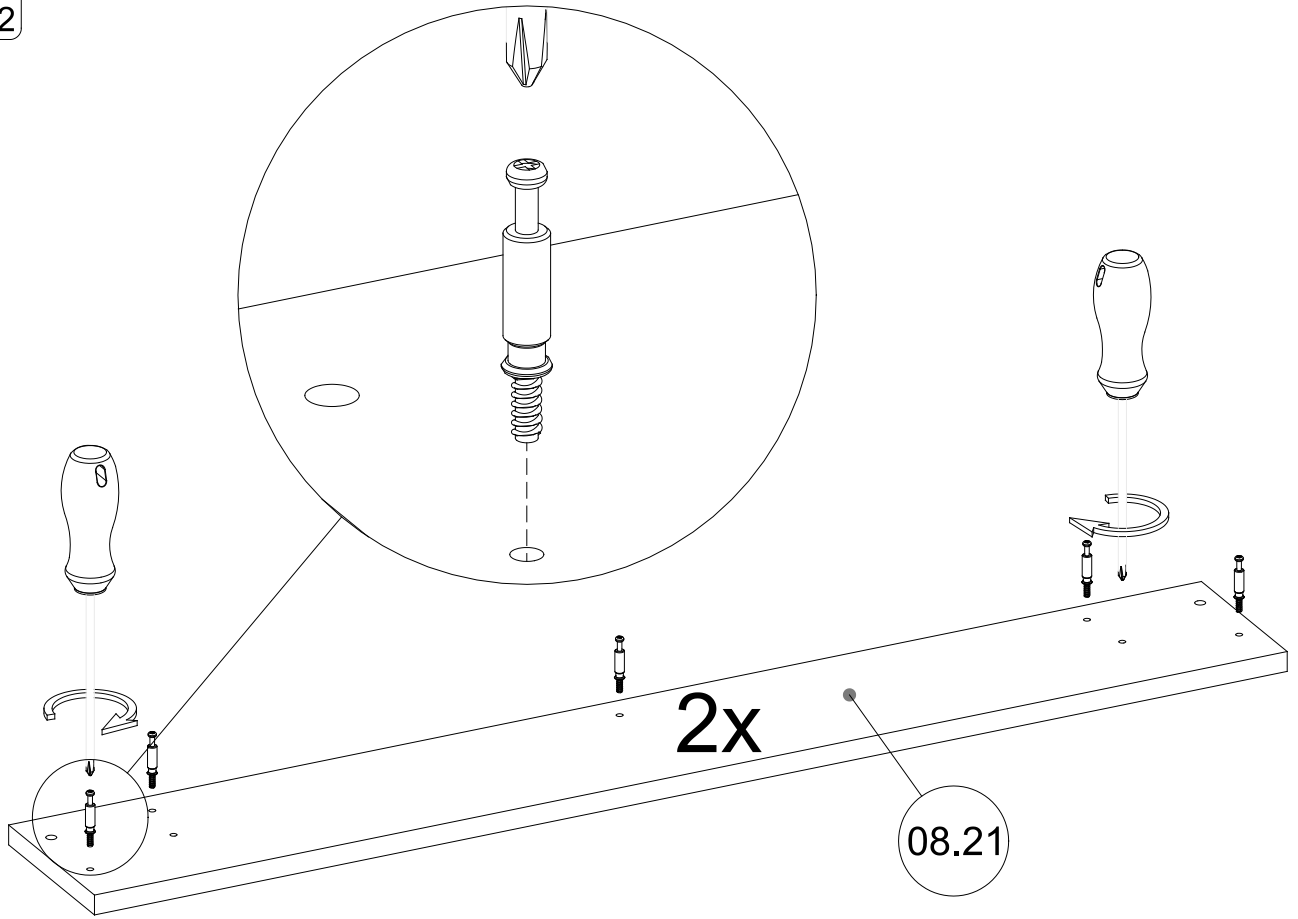
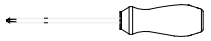
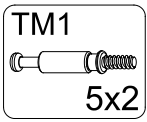
1



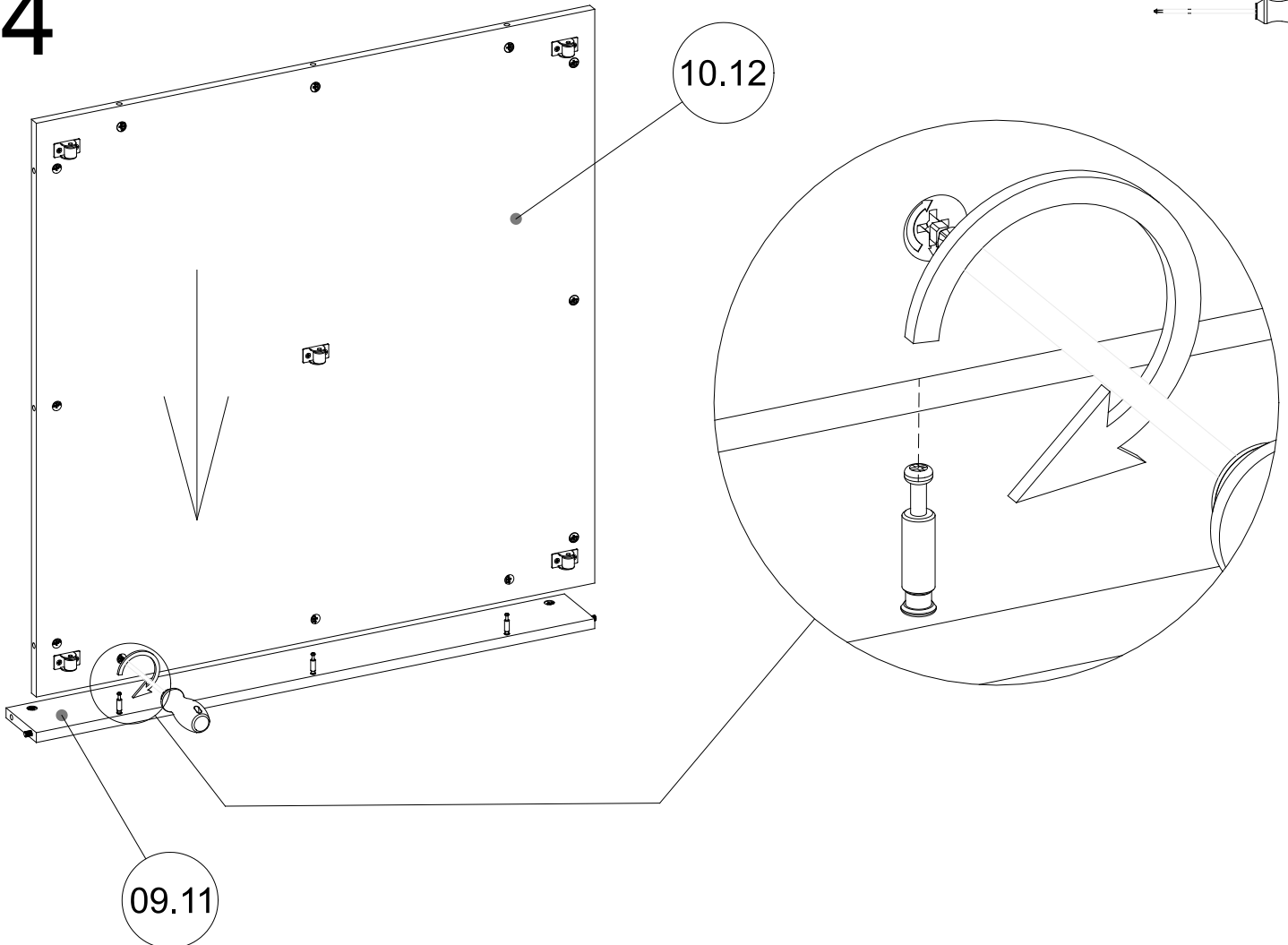
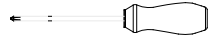
2



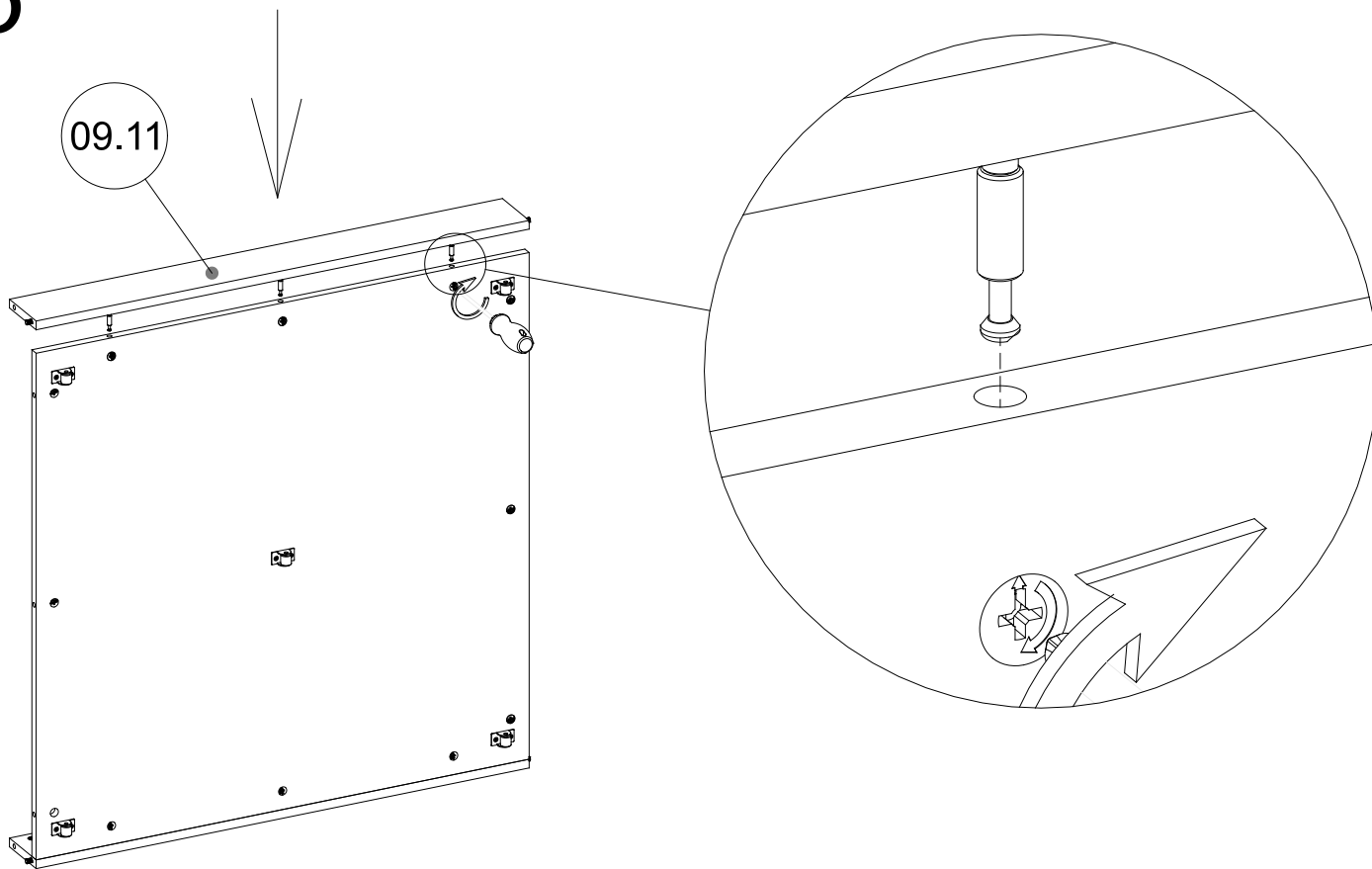
3



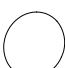
4

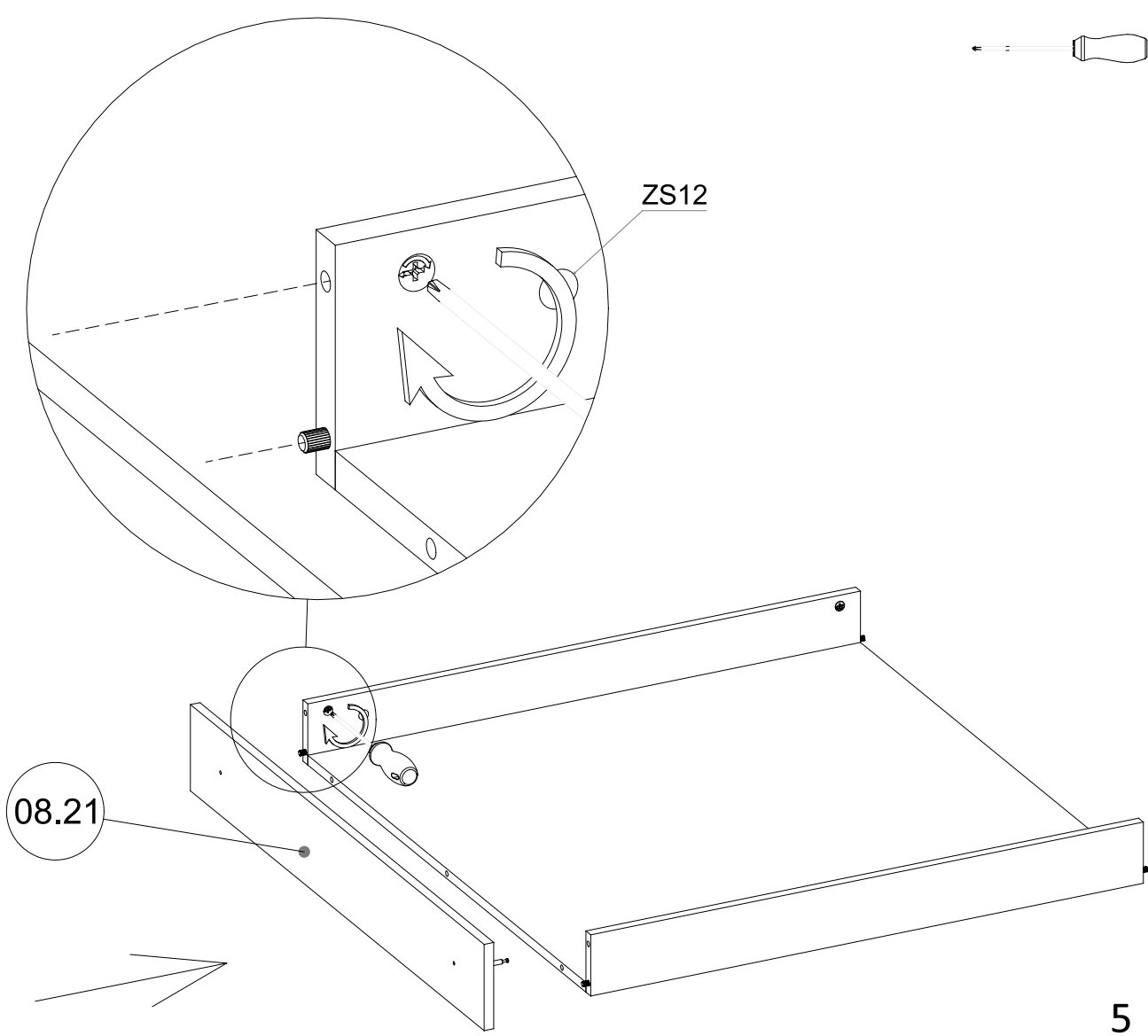


5



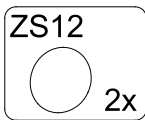
6

ZS12  
  
 2x

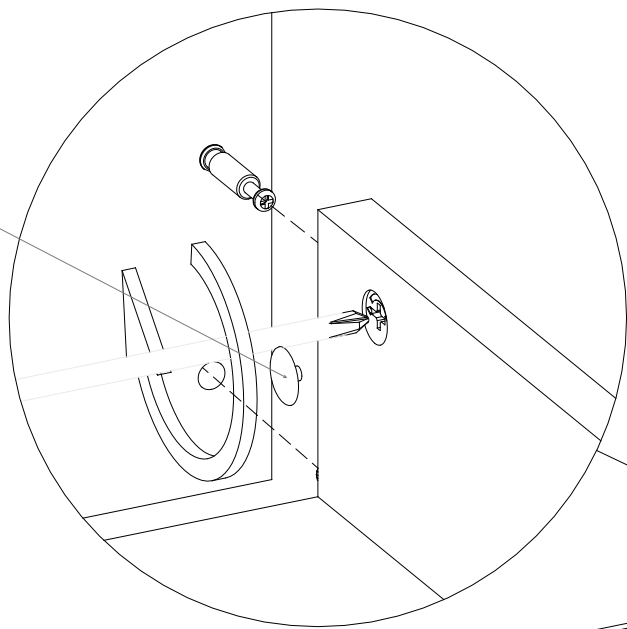


5

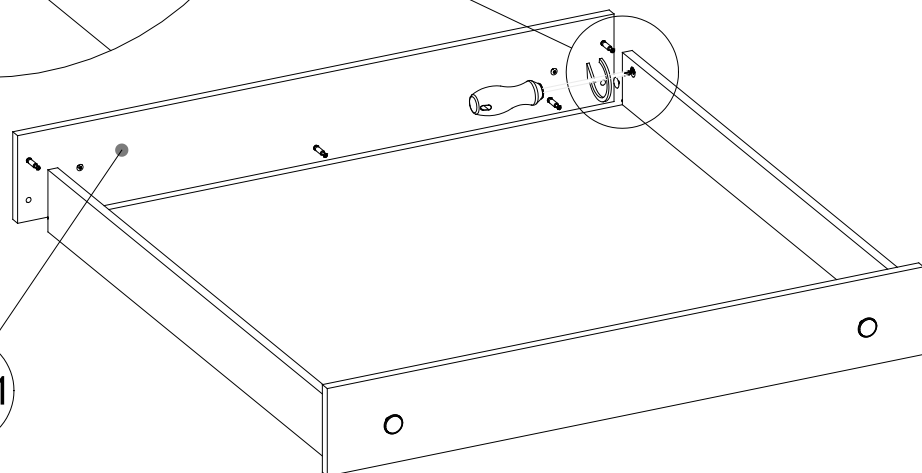
# 7



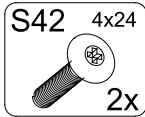
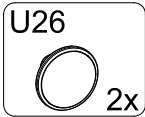
ZS12



08.21

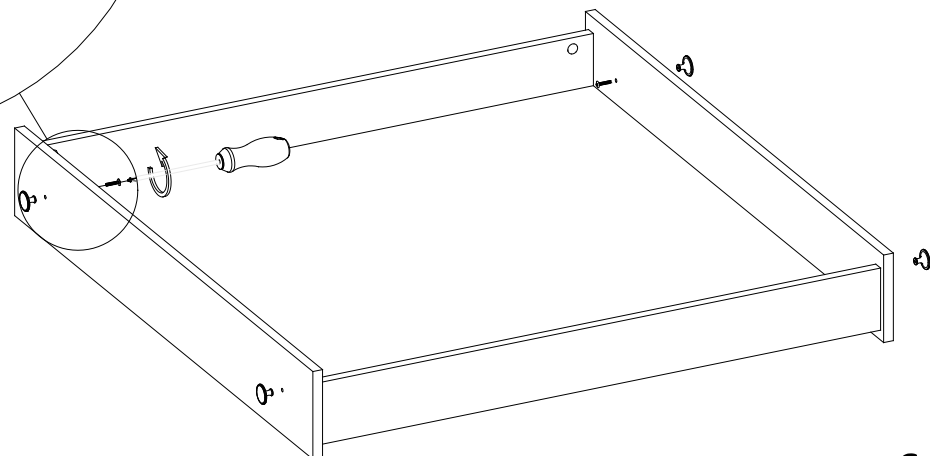
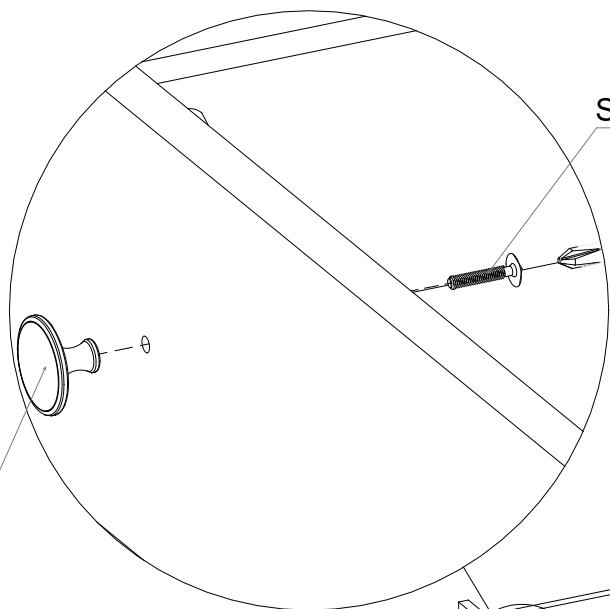


# 8

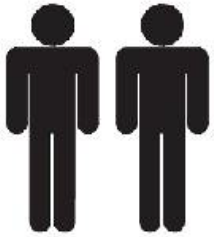
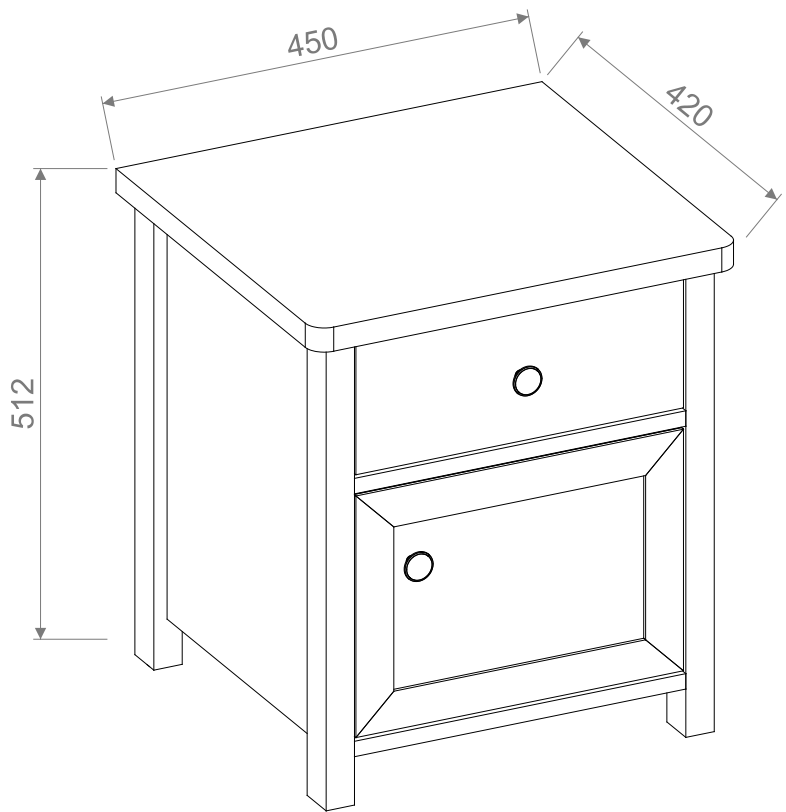


S42

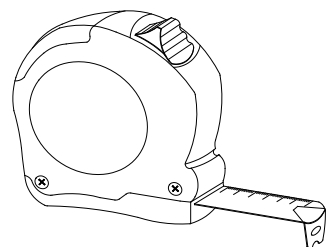
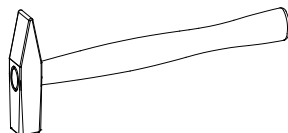
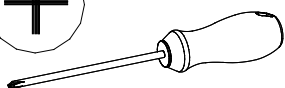
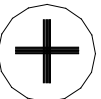
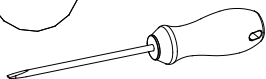
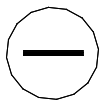
U26



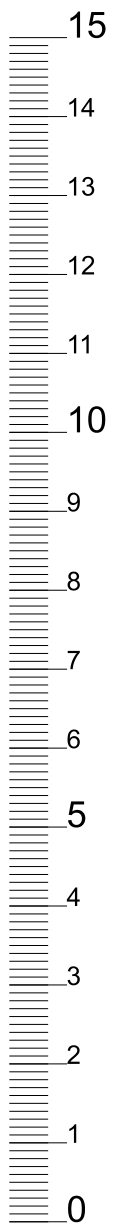
6



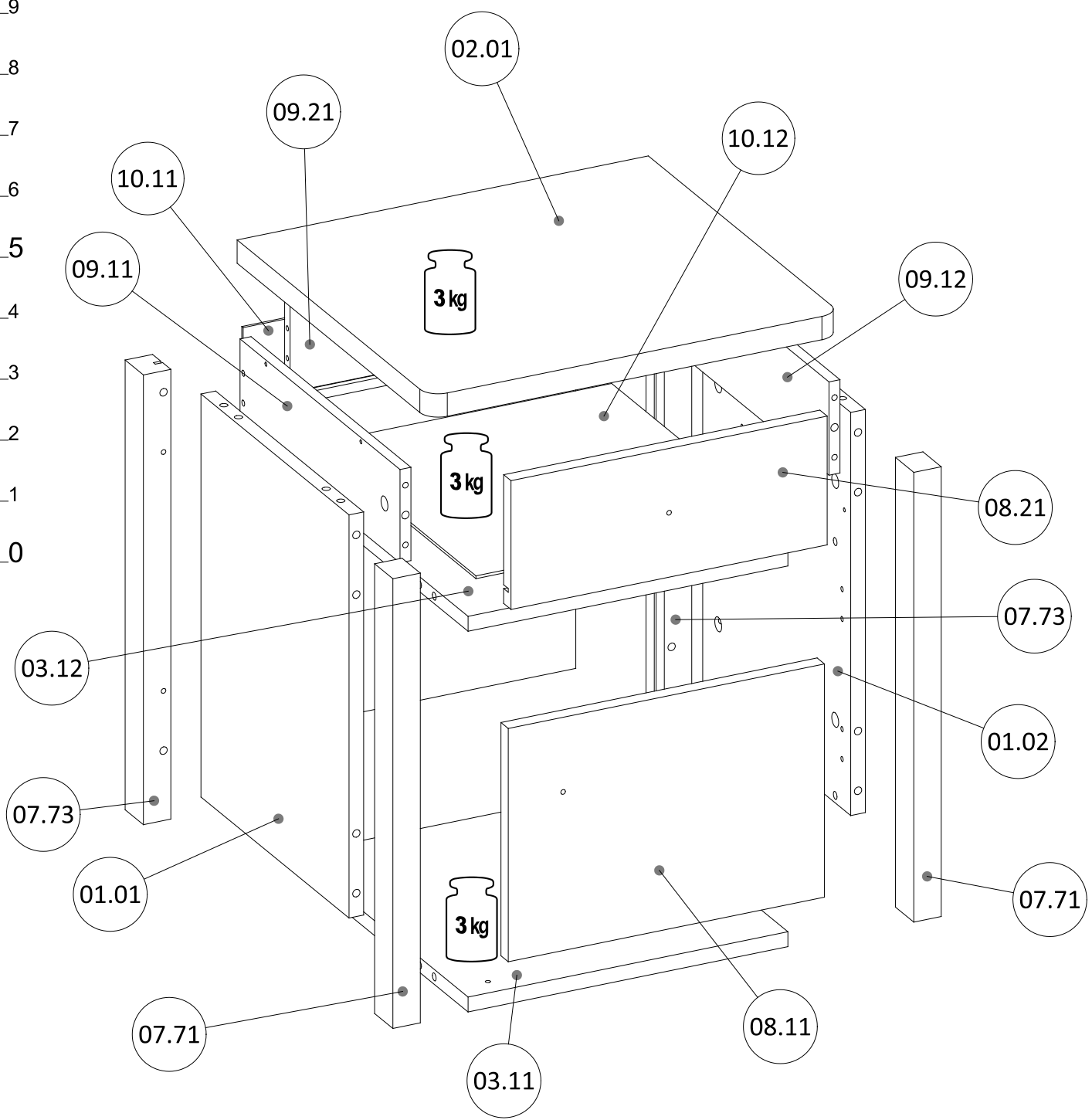
60min

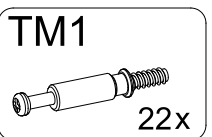
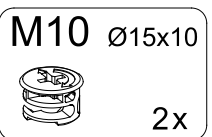
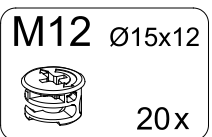
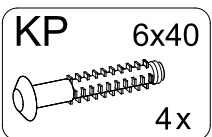
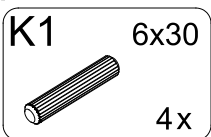
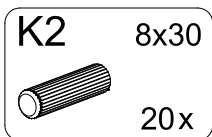
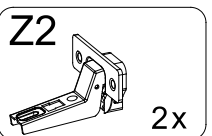
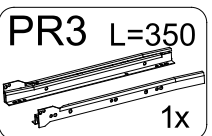
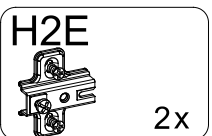
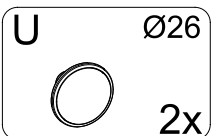
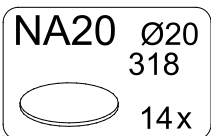
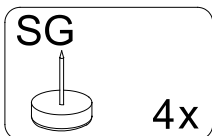
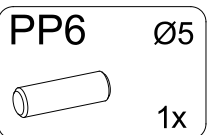
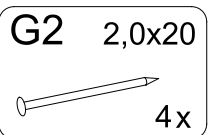
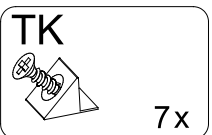
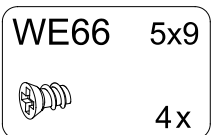
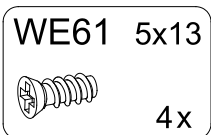
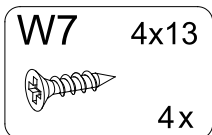
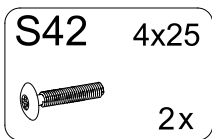
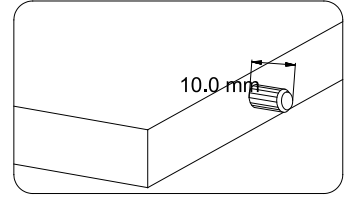
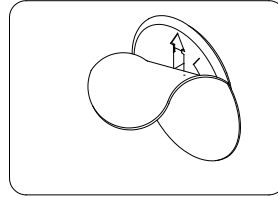
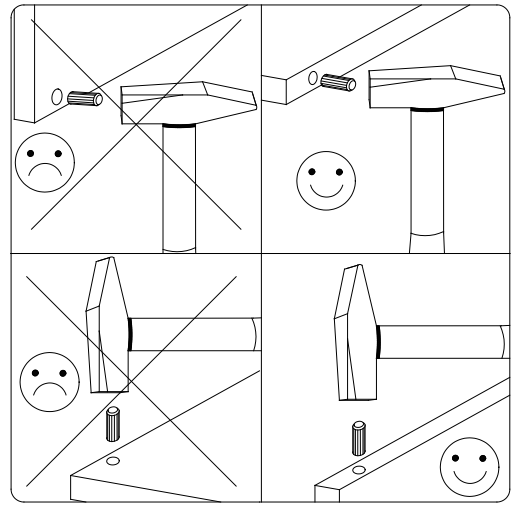
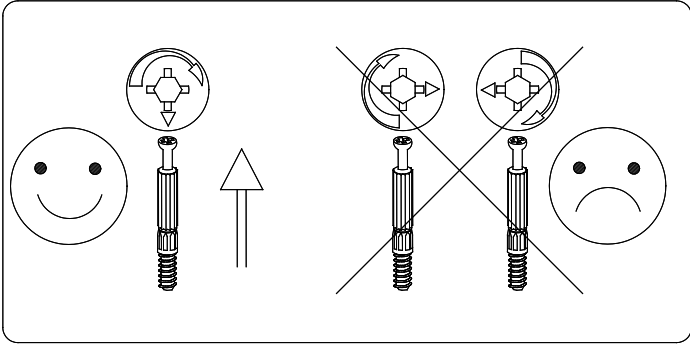
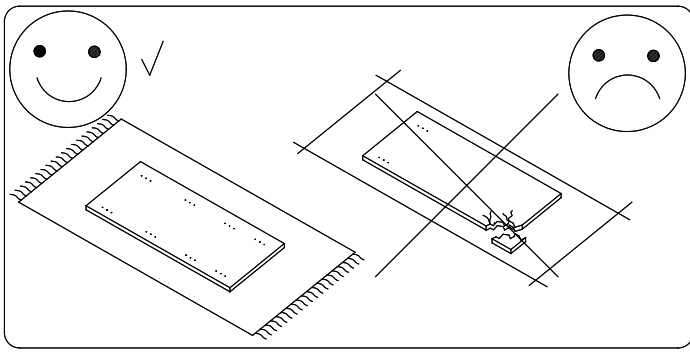


v.1



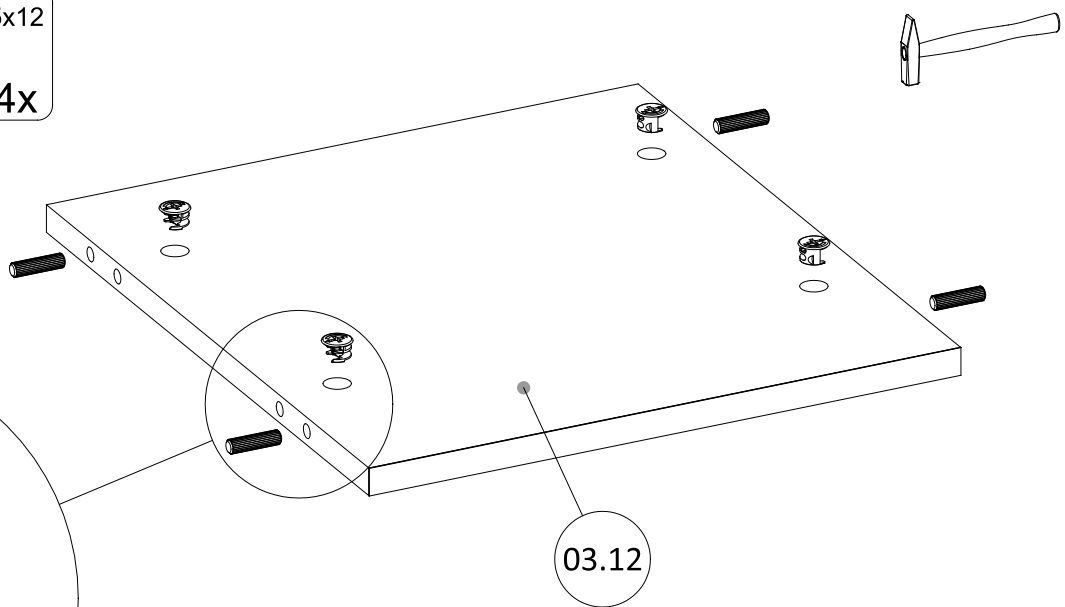
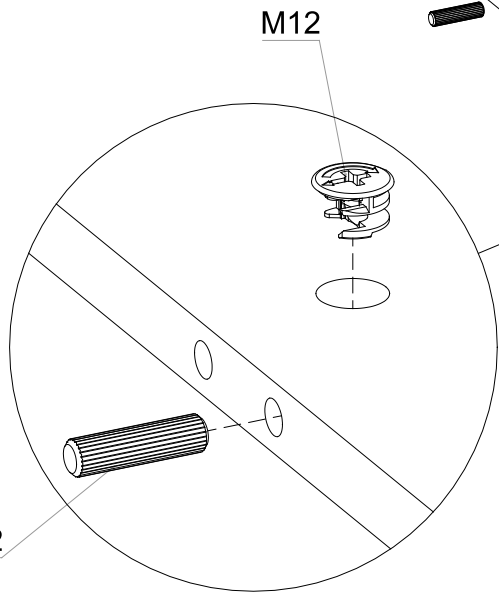
01.01	432,0	324,0	16,0	1	1/1
01.02	432,0	324,0	16,0	1	1/1
02.01	450,0	420,0	25,0	1	1/1
03.11	350,0	382,0	16,0	1	1/1
03.12	350,0	382,0	16,0	1	1/1
07.71	482,0	40,0	30,0	2	1/1
07.73	482,0	40,0	30,0	2	1/1
08.11	346,0	250,0	16,0	1	1/1
08.21	346,0	138,0	16,0	1	1/1
09.11	350,0	100,0	12,0	1	1/1
09.12	350,0	100,0	12,0	1	1/1
09.21	301,0	114,0	12,0	1	1/1
10.11	438,0	364,0	3,0	1	1/1
10.12	325,0	353,0	3,0	1	1/1





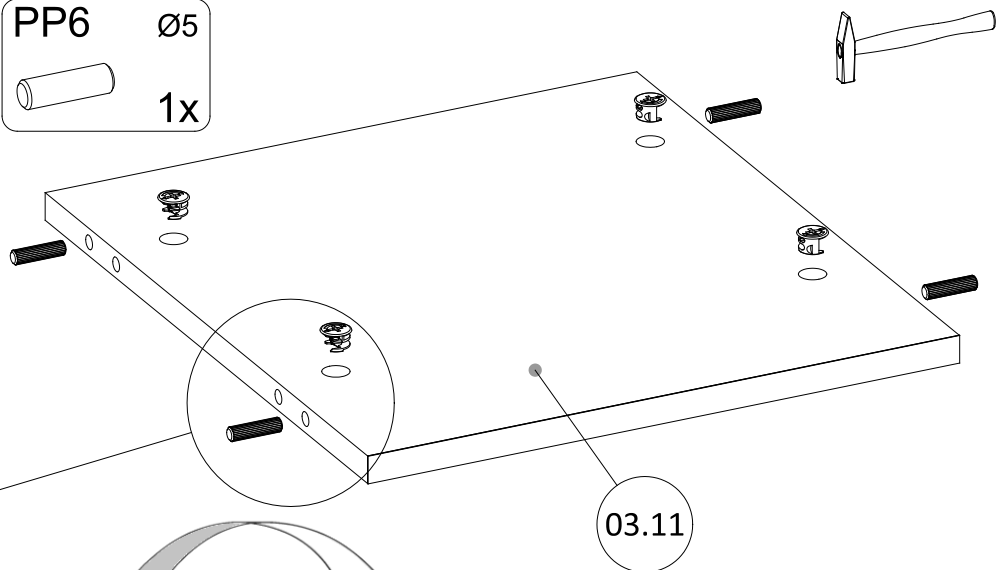
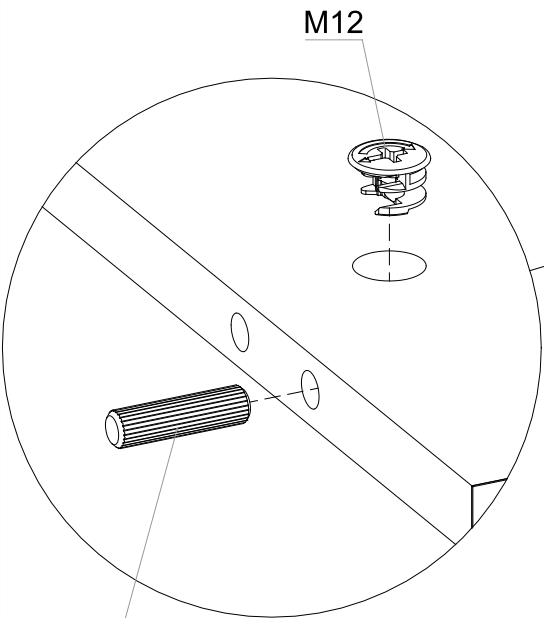
1

- K2 8x30 4x
- M12 Ø15x12 4x

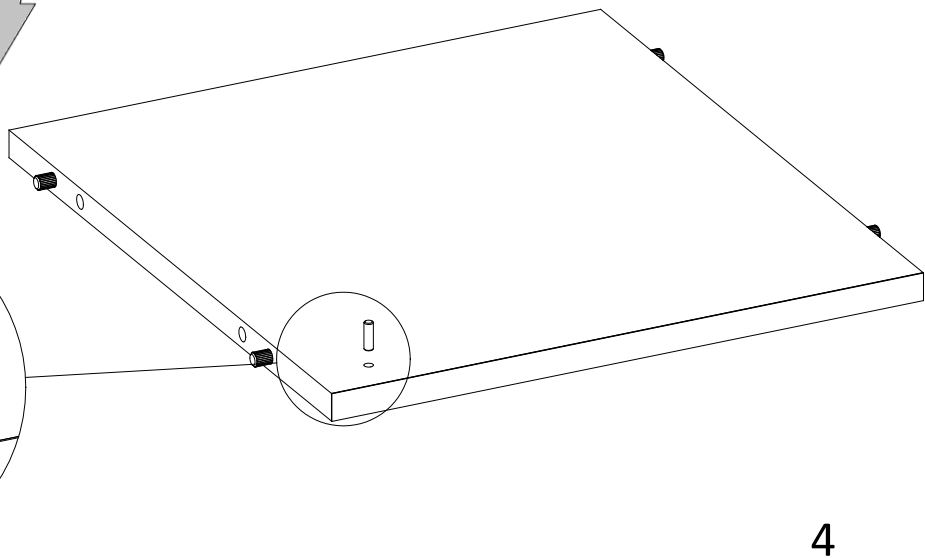
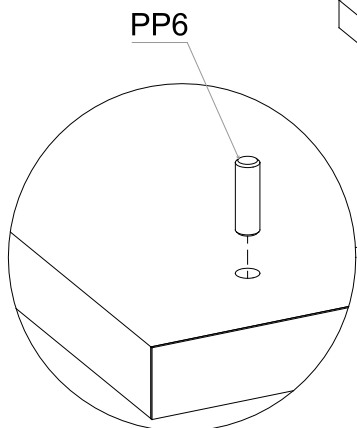


2

- K2 8x30 4x
- M12 Ø15x12 4x
- PP6 Ø5 1x



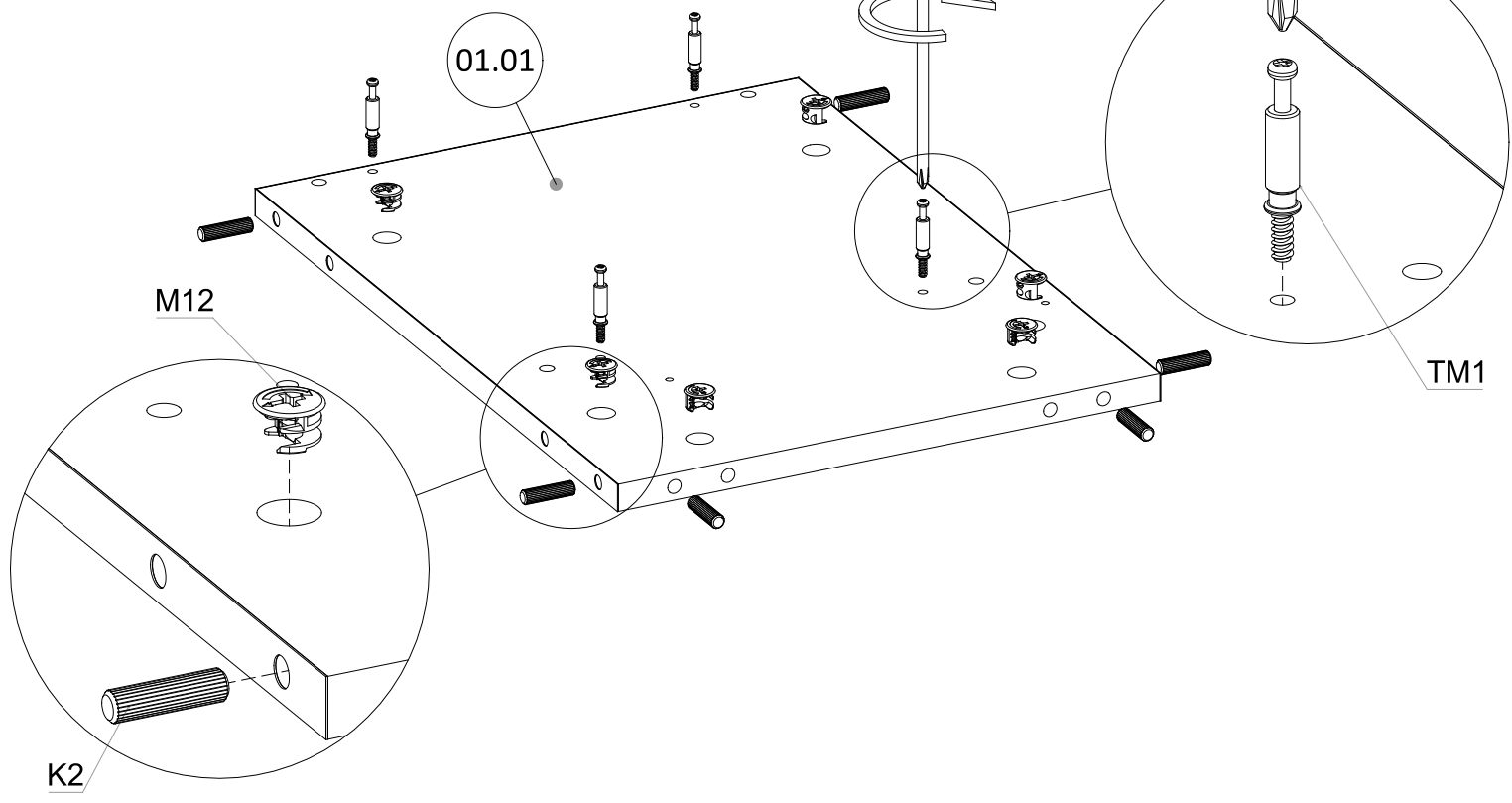
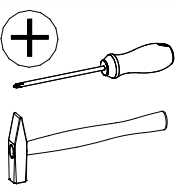
K2





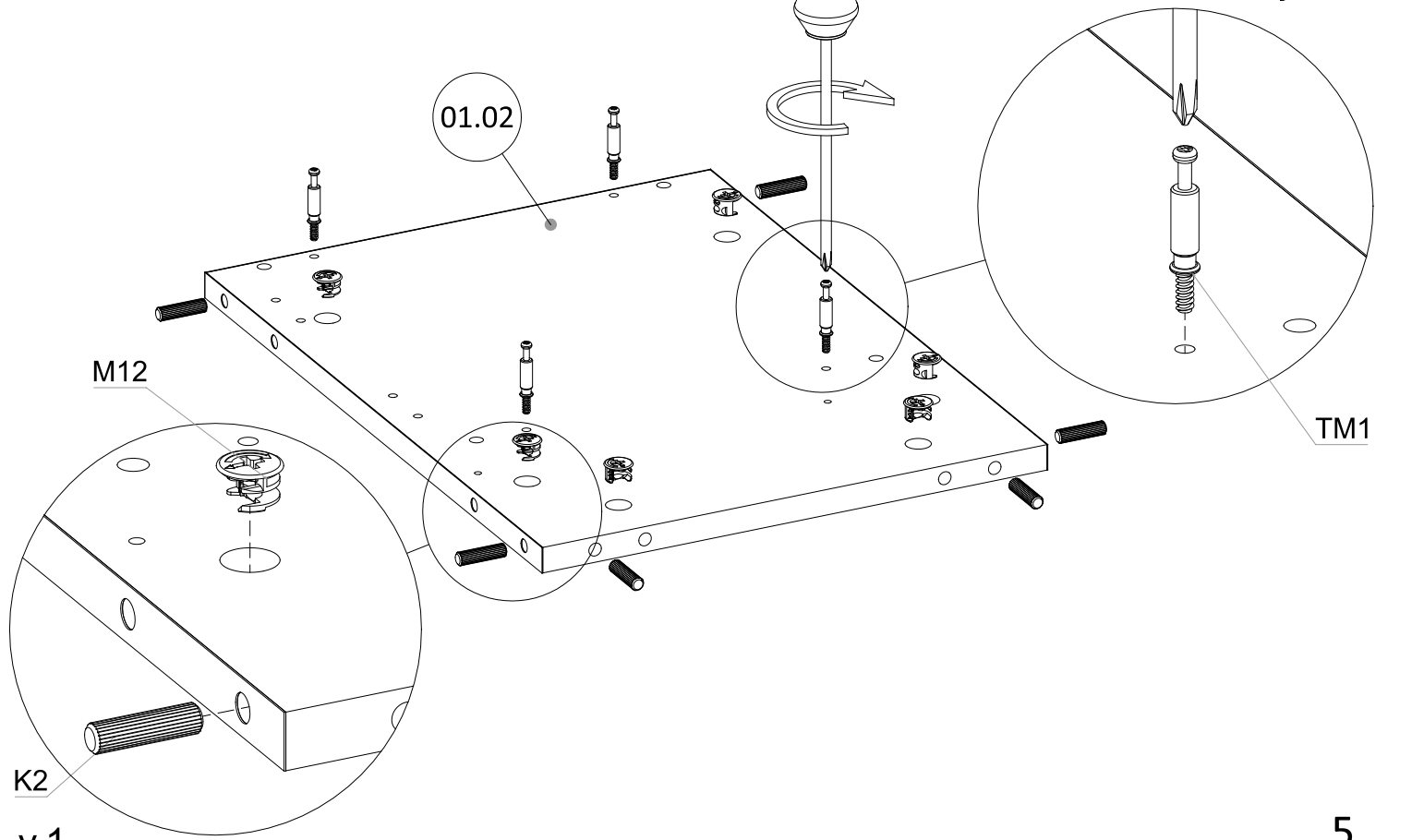
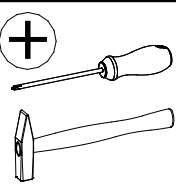
# 3

- K2** 8x30 6x
- M12** Ø15x12 6x
- TM1** 4x

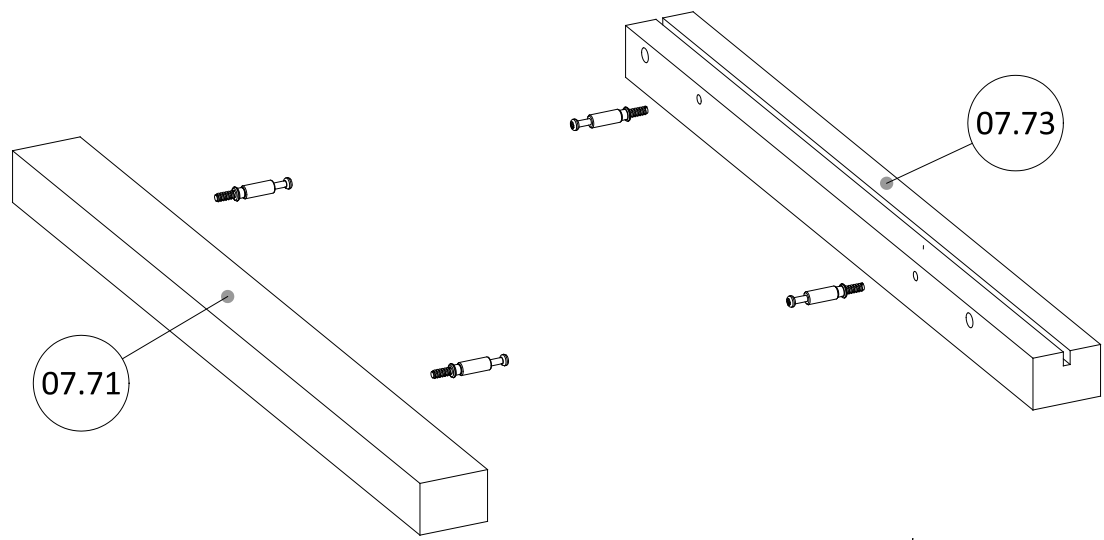
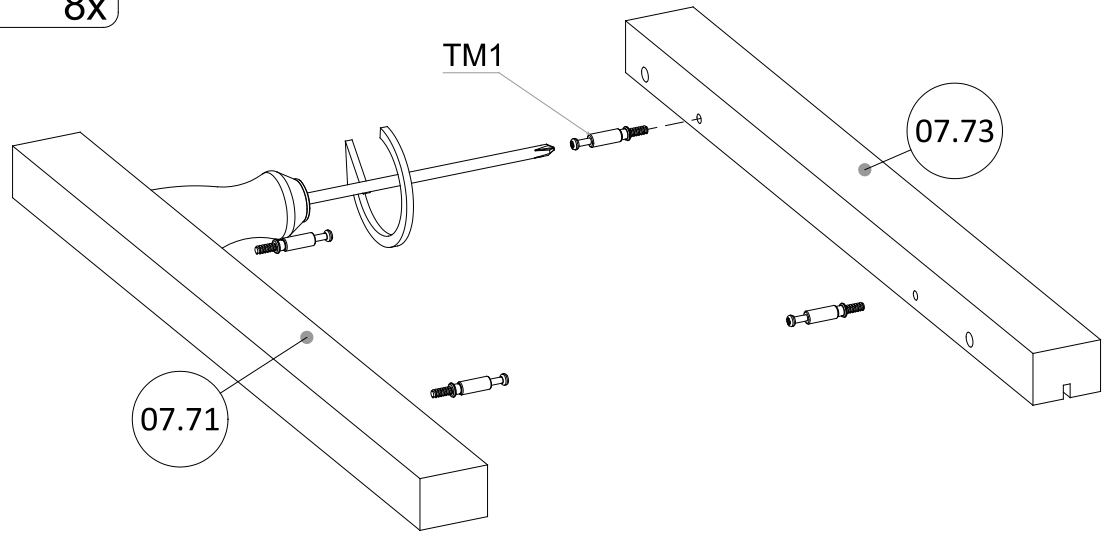
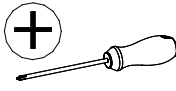
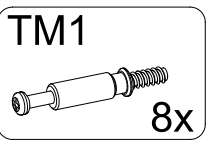


# 4

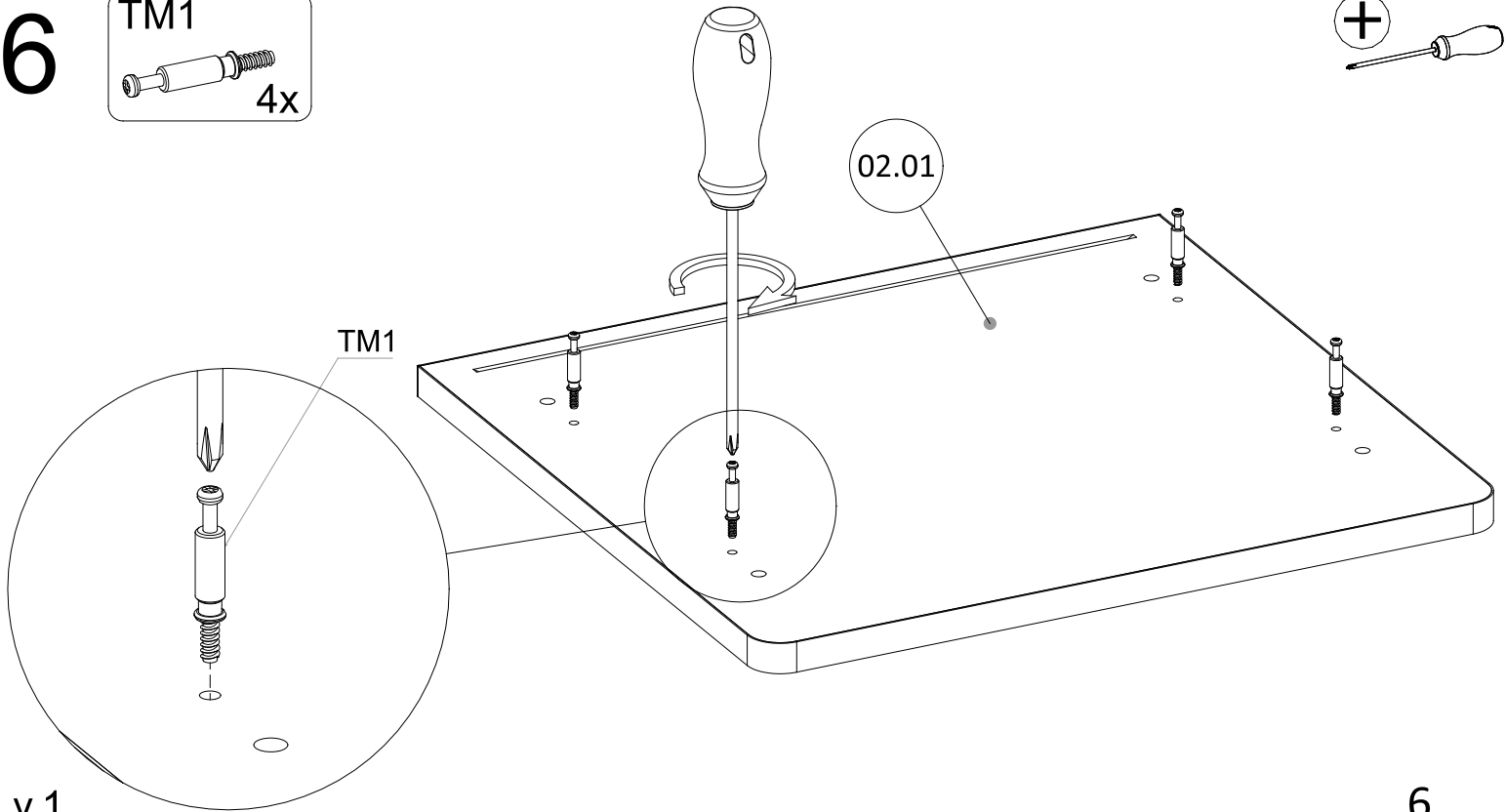
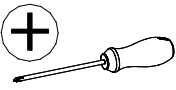
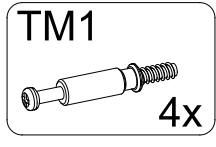
- K2** 8x30 6x
- M12** Ø15x12 6x
- TM1** 4x



# 5

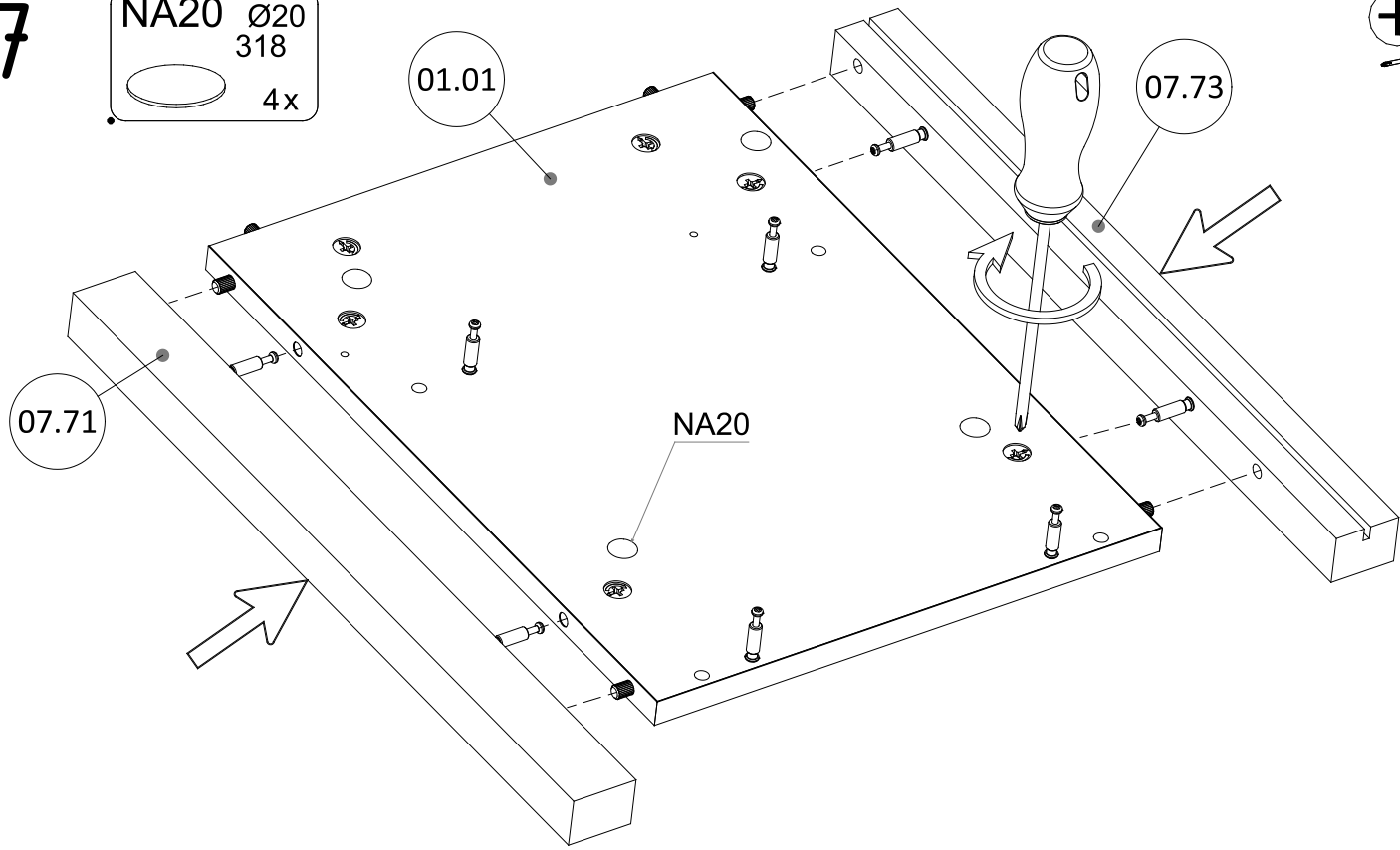
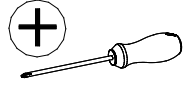


# 6



7

NA20 Ø20  
318  
4x

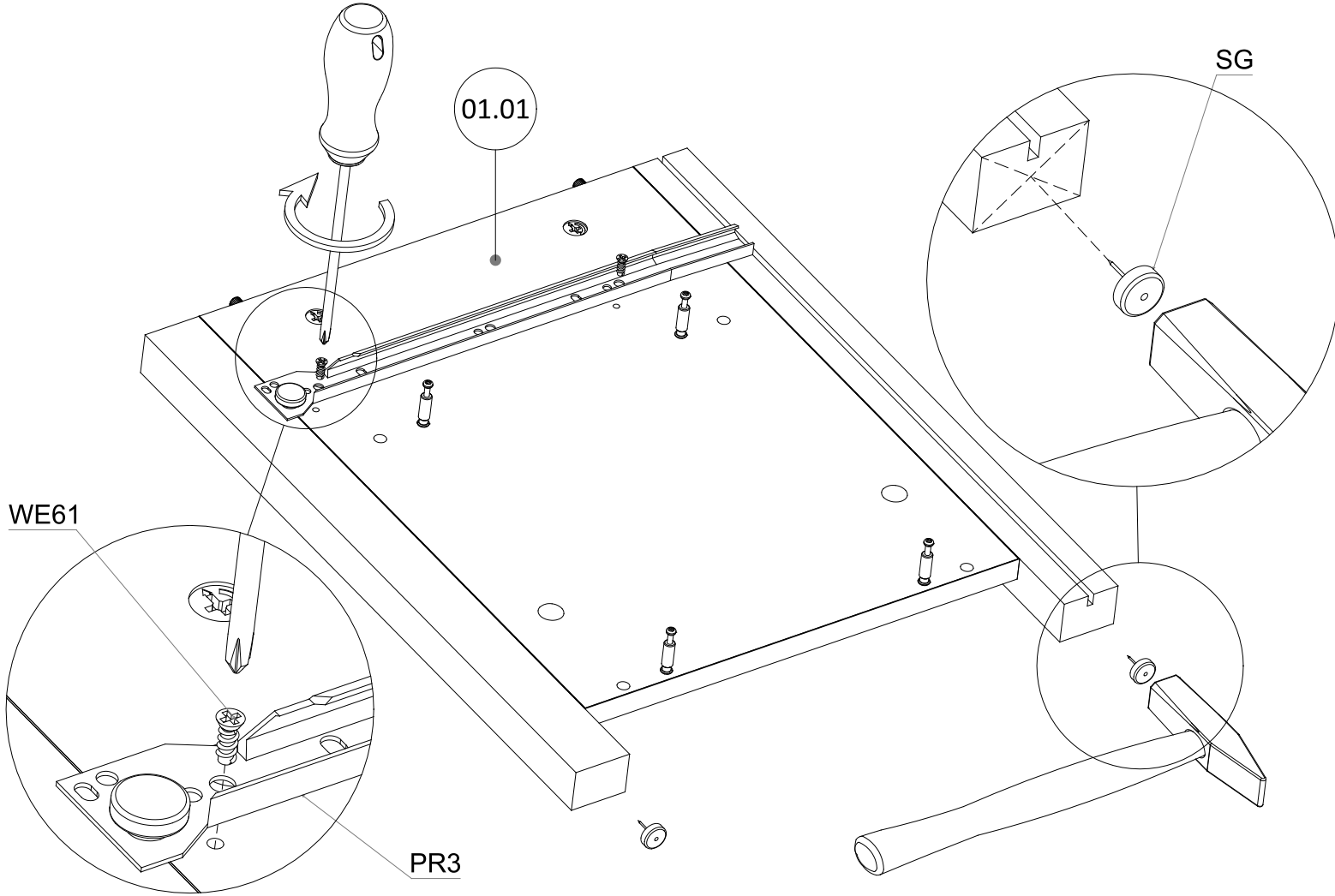
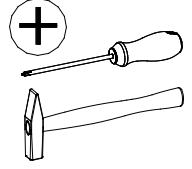


8

WE61 5x13  
2x

PR3  
1x

SG  
2x



7

9

NA20 Ø20  
318  
4x

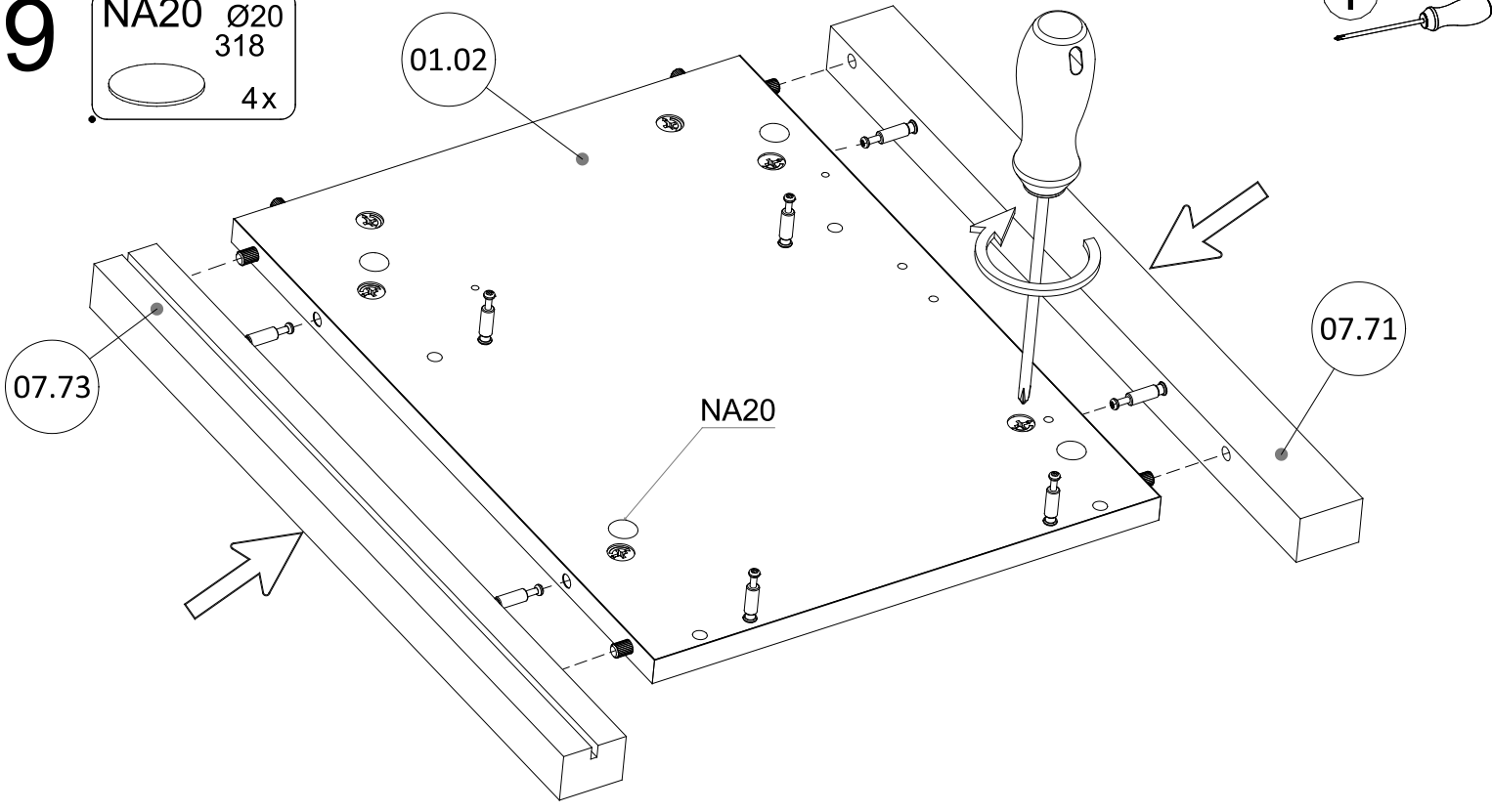
01.02

+

07.73

NA20

07.71



10

WE61 5x13  
2x

PR3  
1x

SG  
2x

H2E  
2x

+

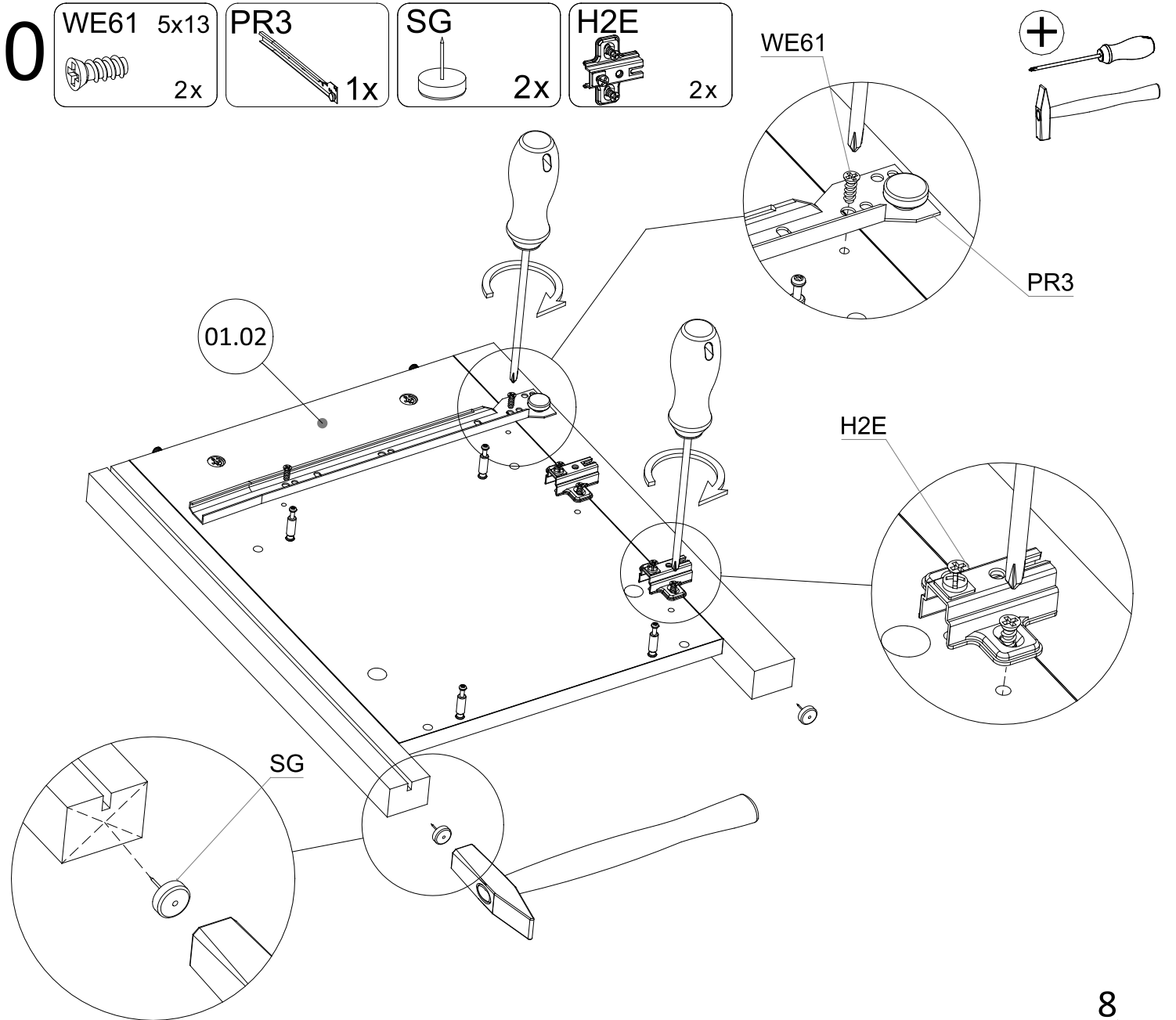
WE61

PR3

01.02

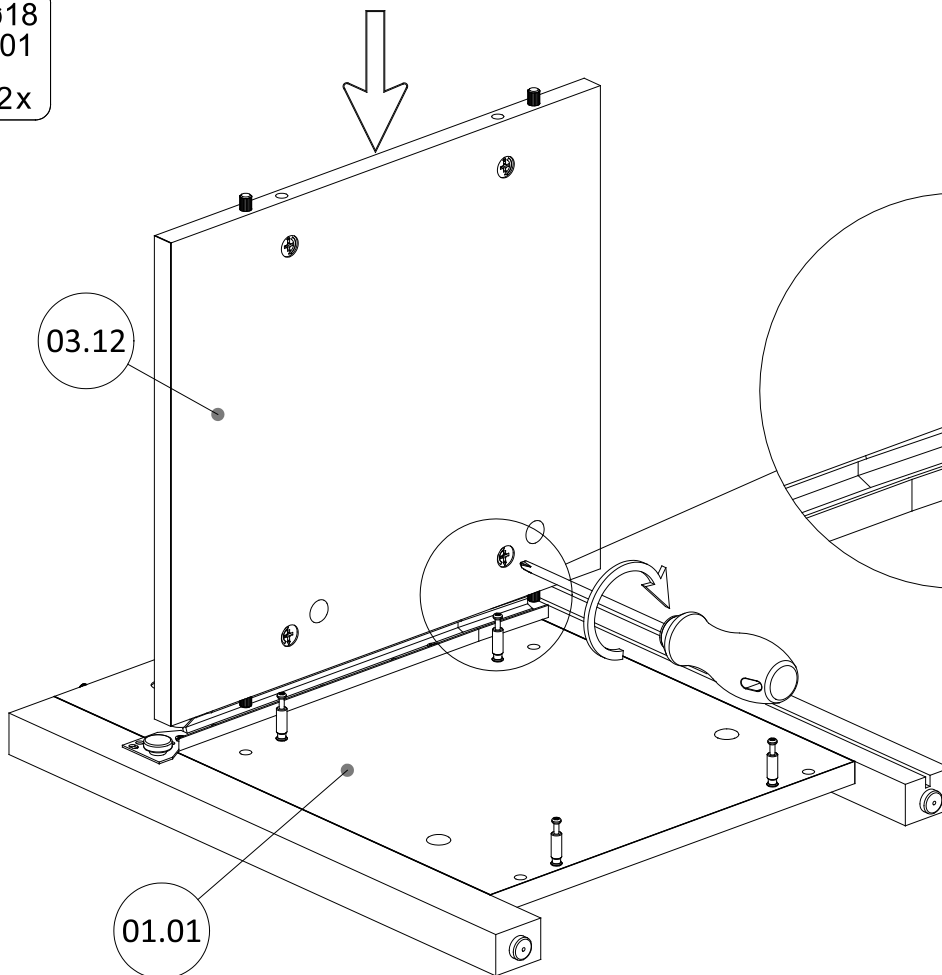
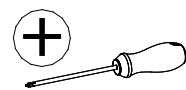
H2E

SG

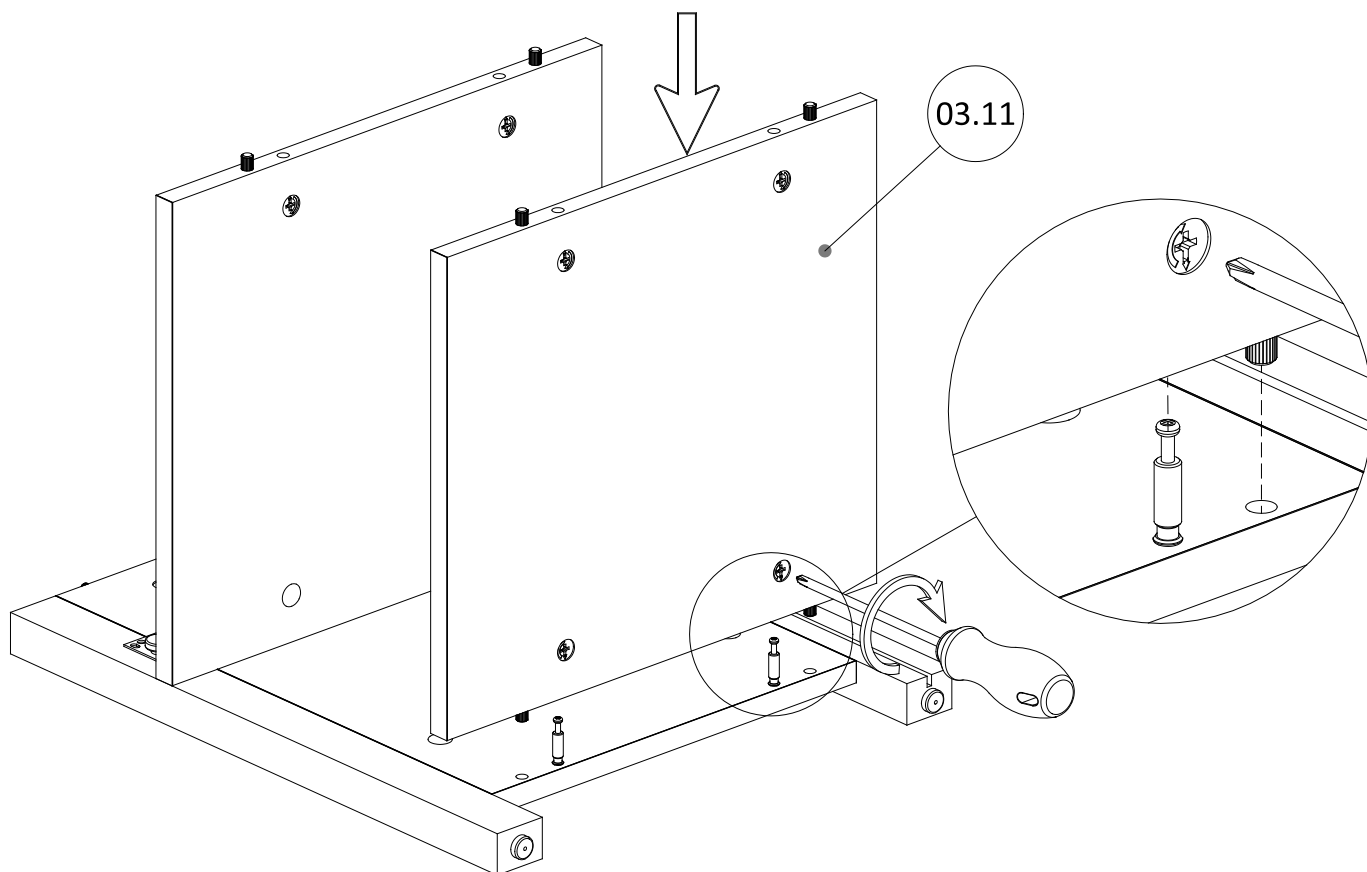
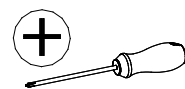


# 11

ZS12  $\varnothing 18$   
K-01  
2x

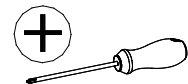


# 12

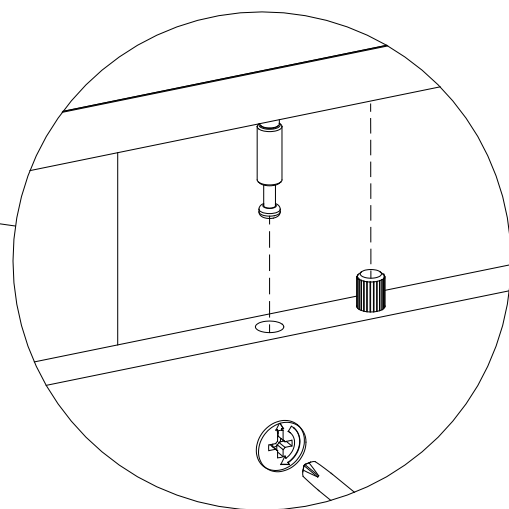
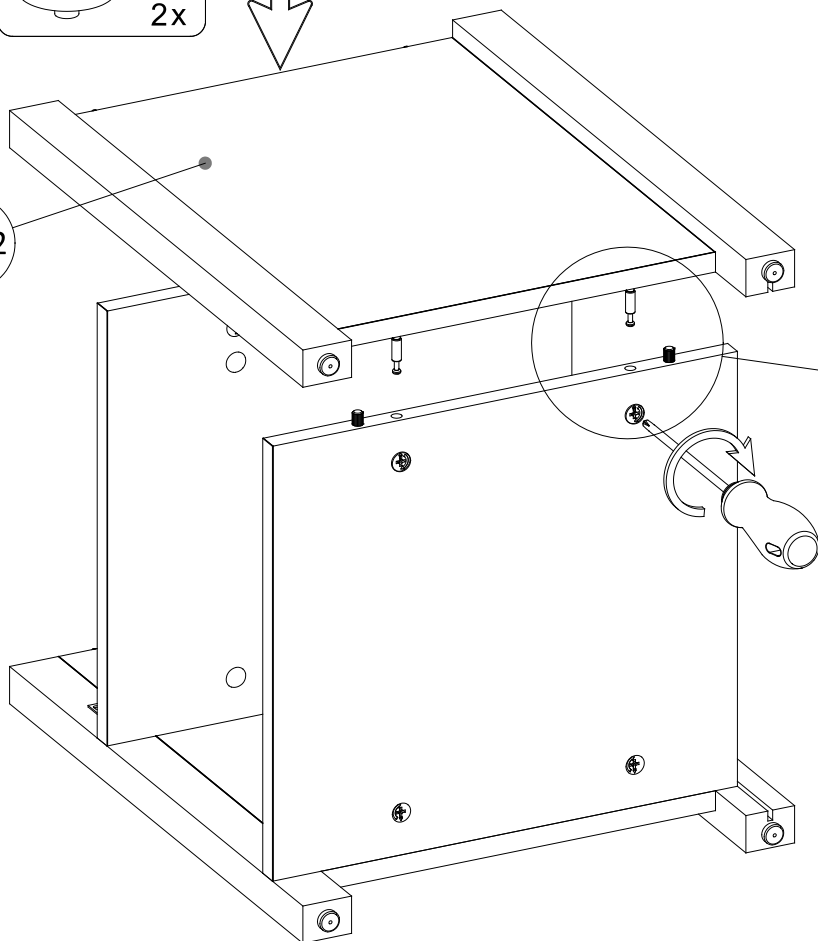


# 13

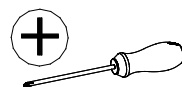
ZS12  $\varnothing 18$   
K-01  
2x



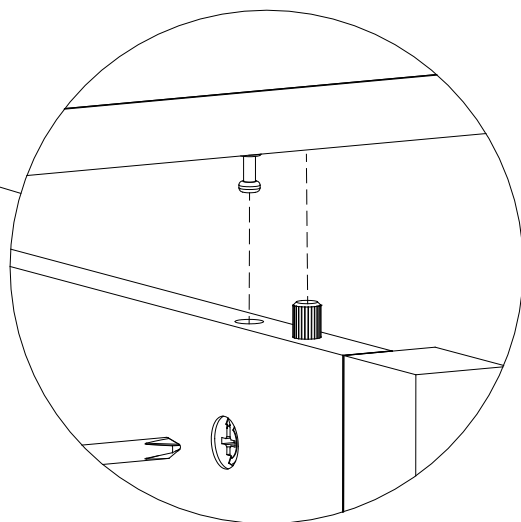
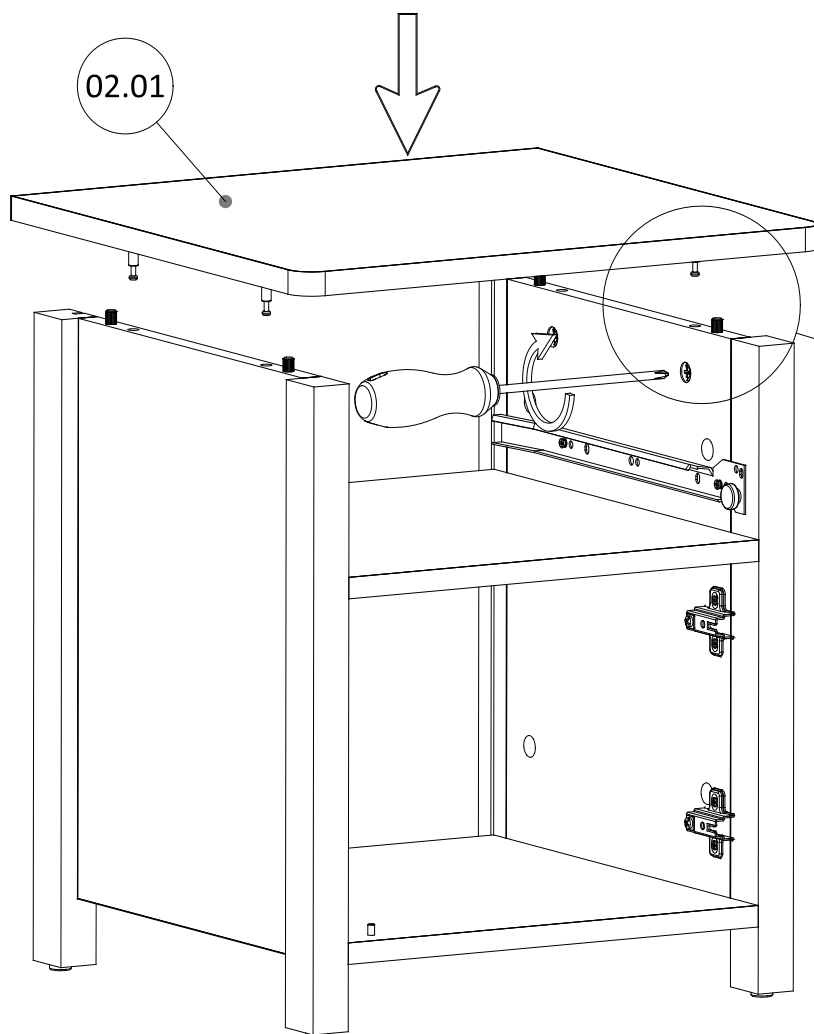
01.02



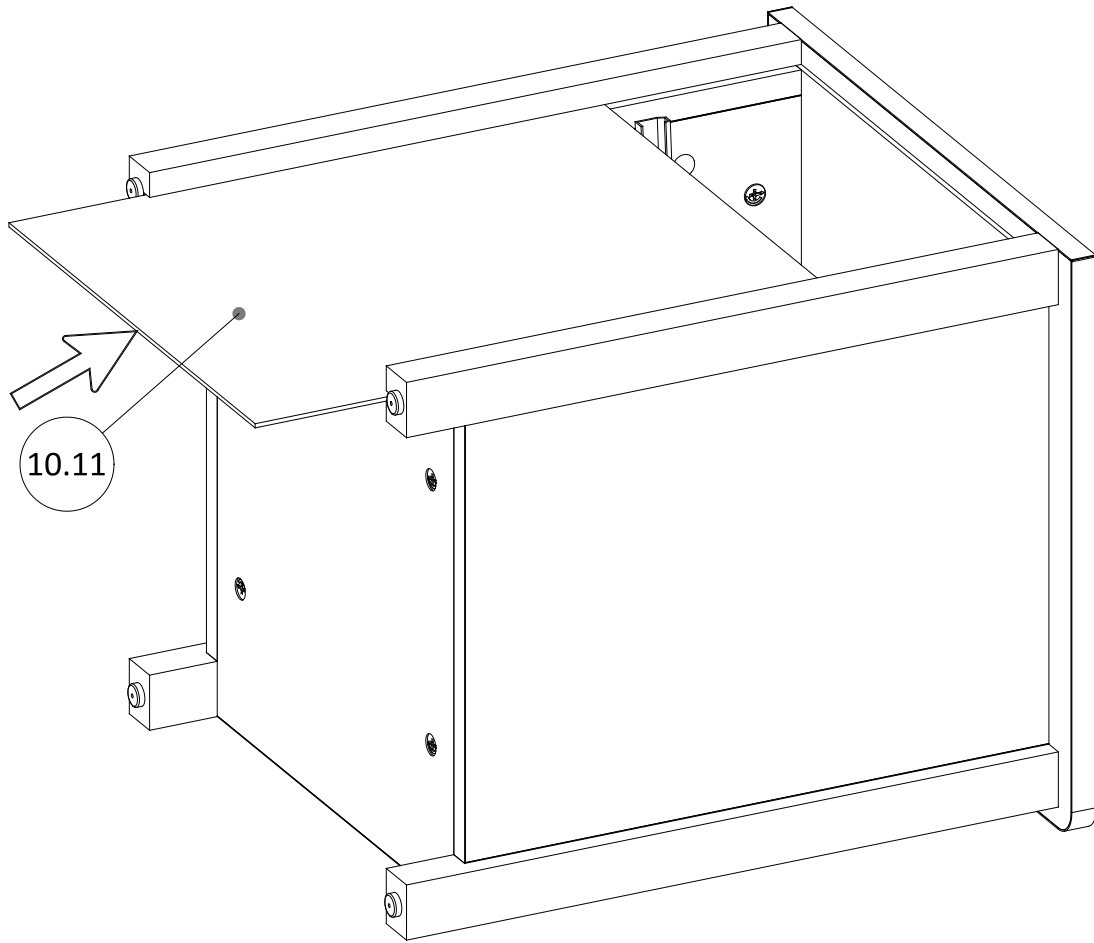
# 14



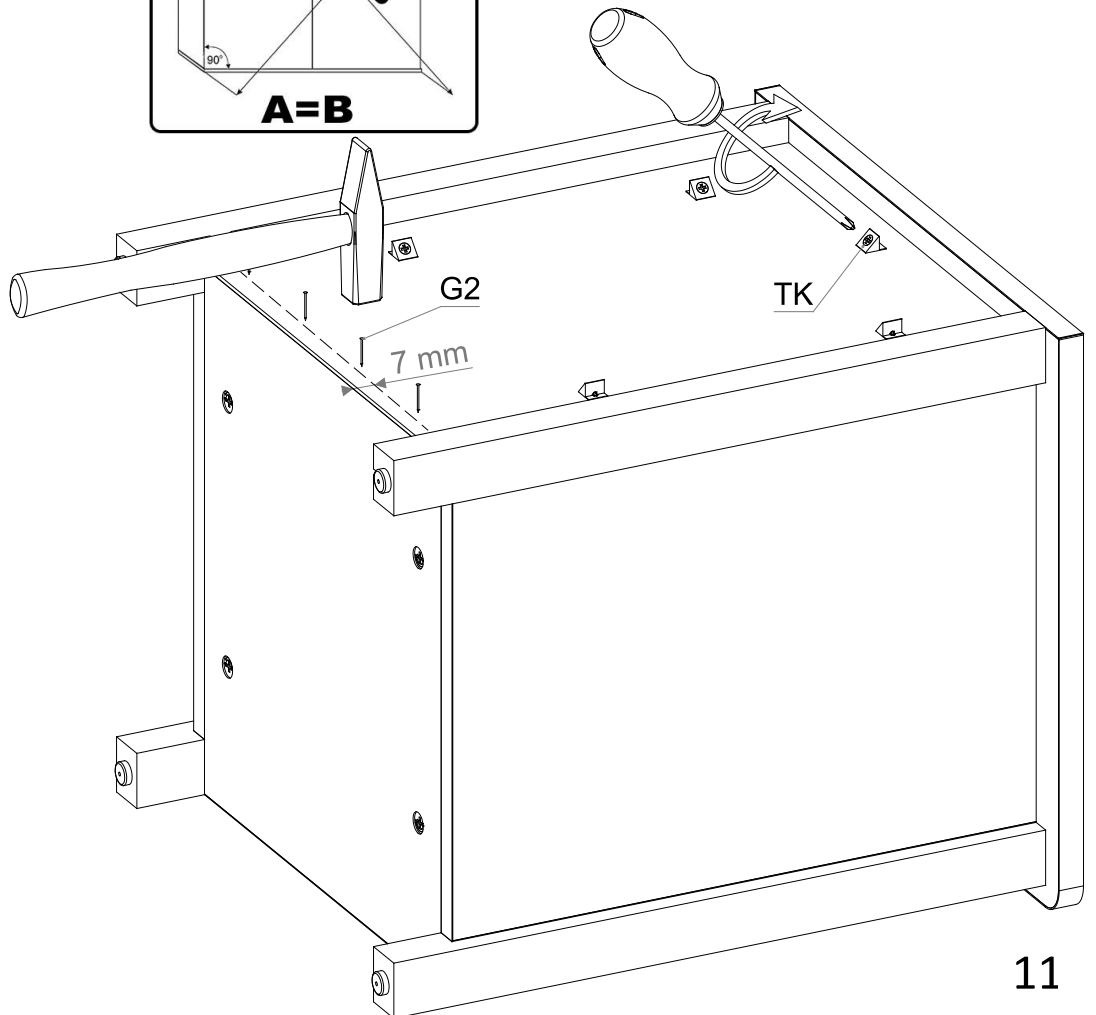
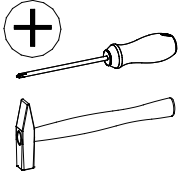
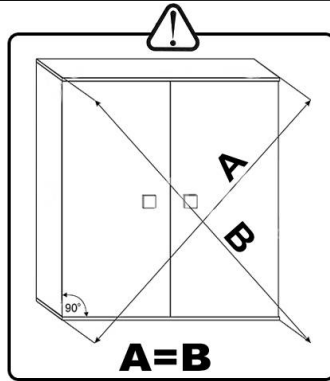
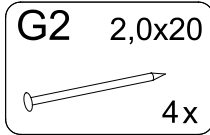
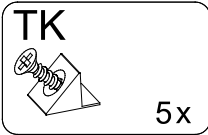
02.01



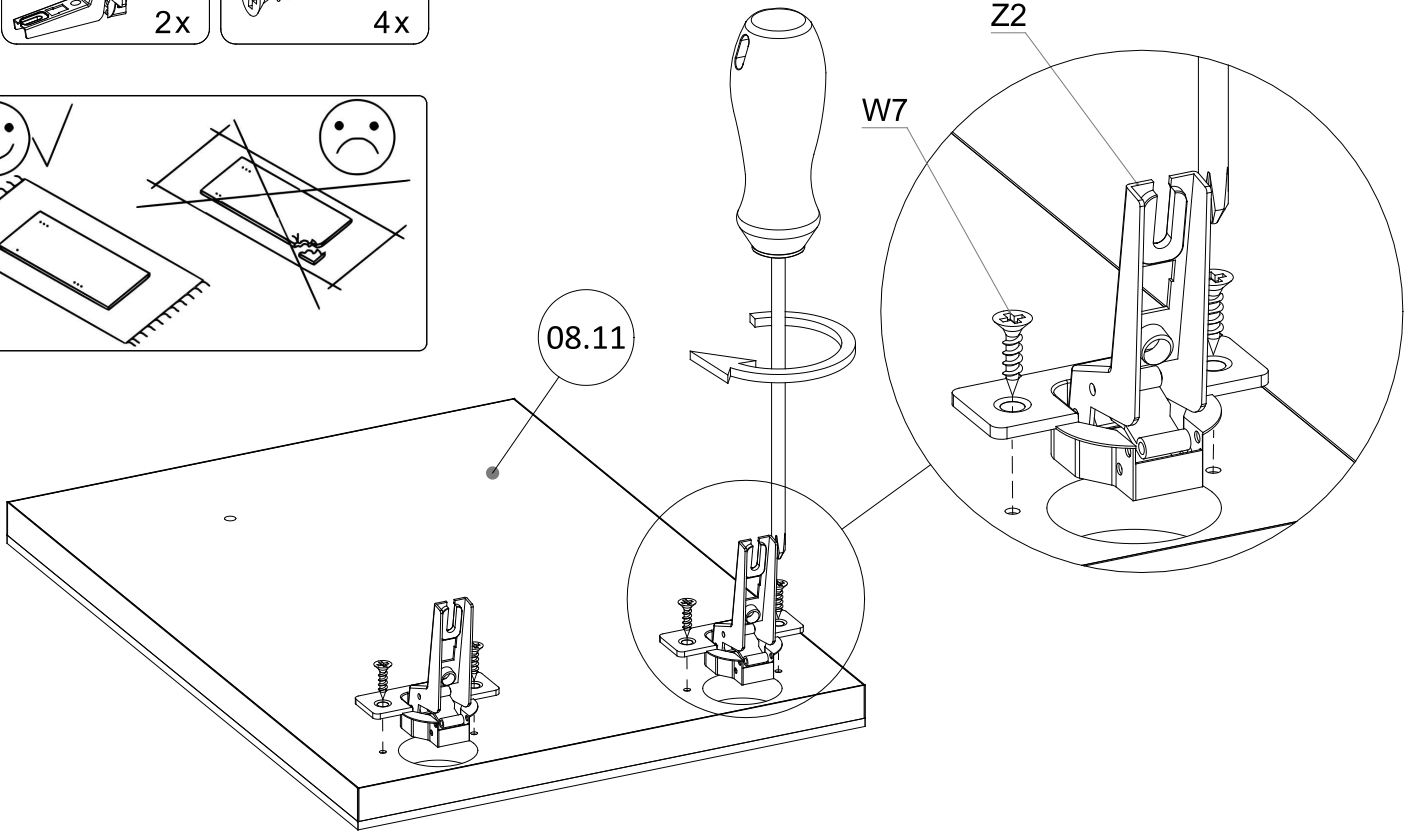
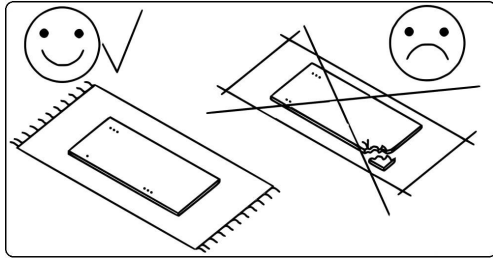
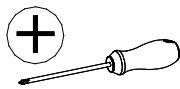
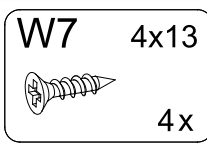
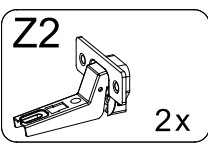
15



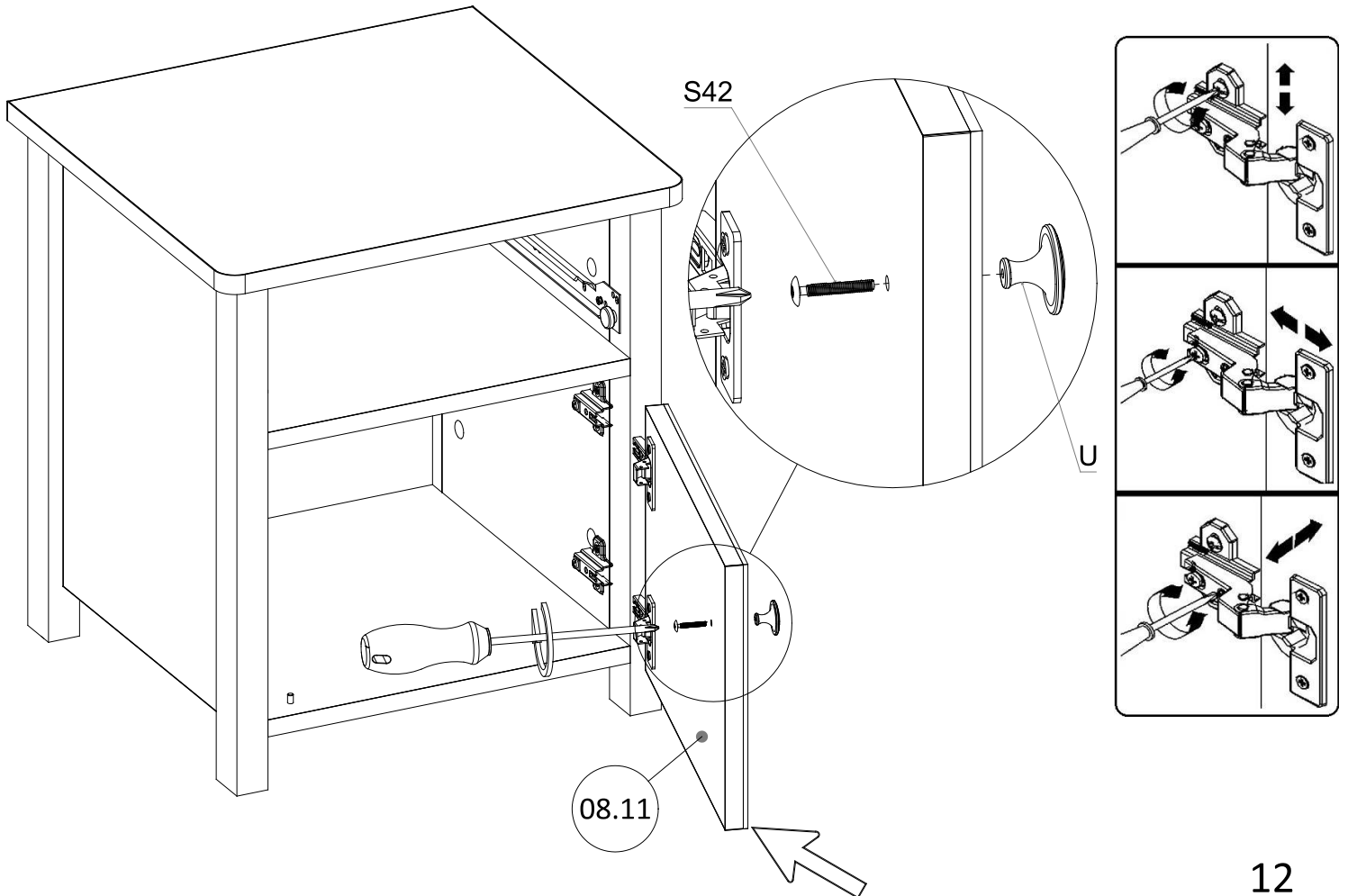
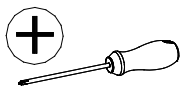
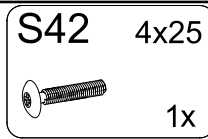
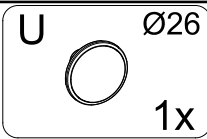
16



# 17

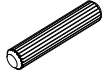



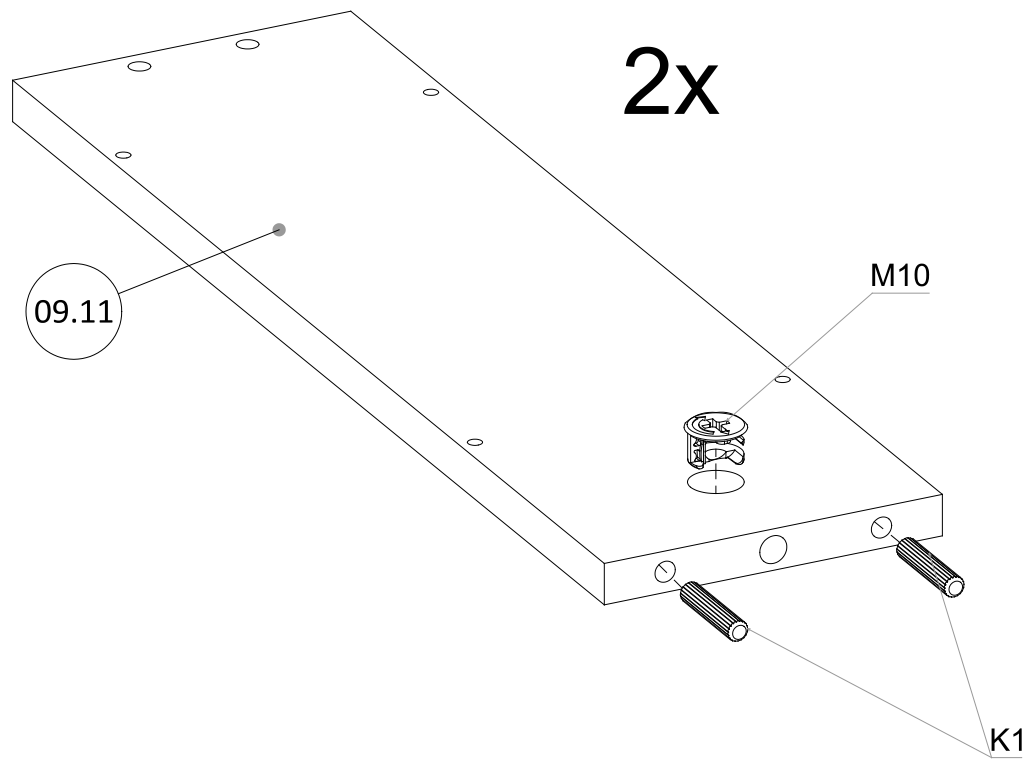
# 18



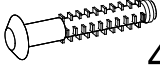


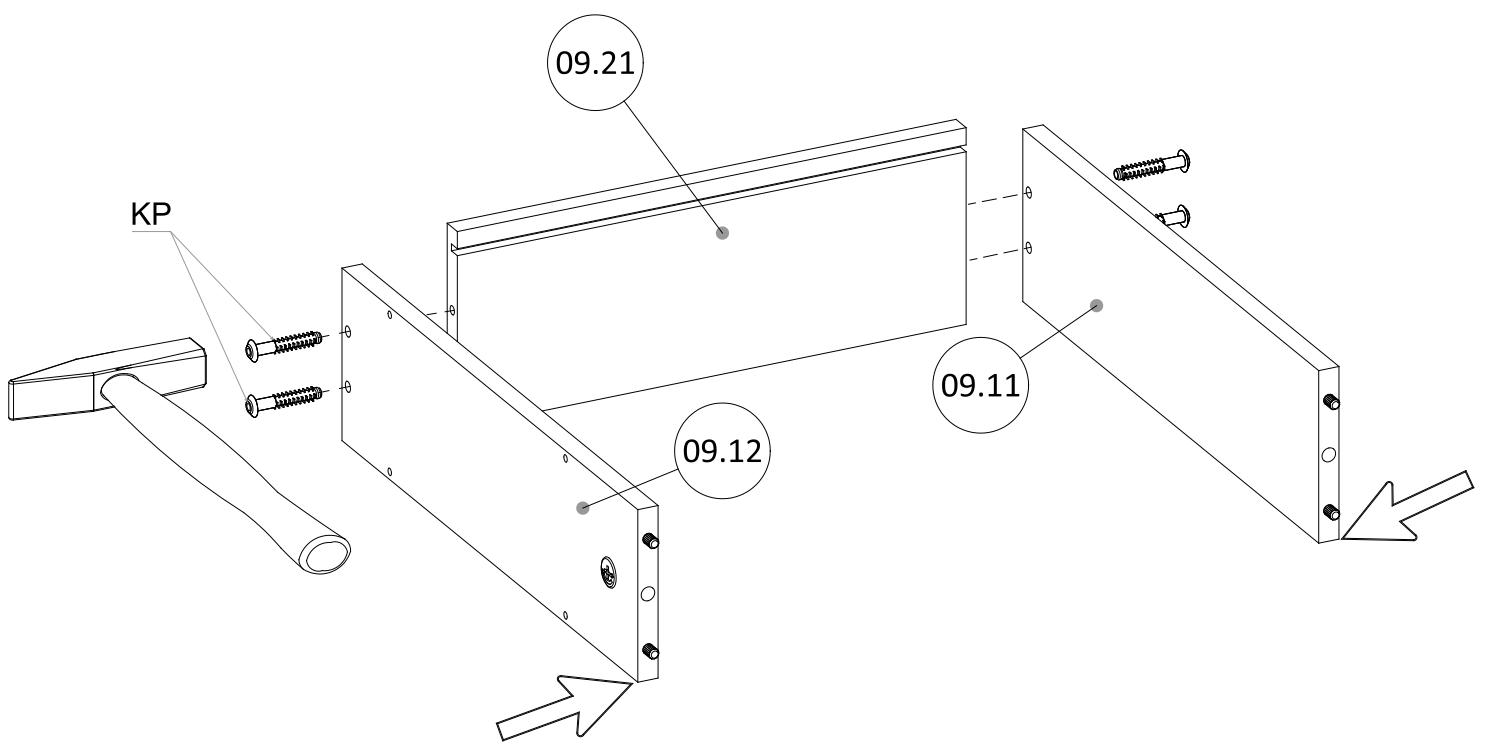
# 19

K1	6x30	M10	Ø15x10
	2x2		1x2

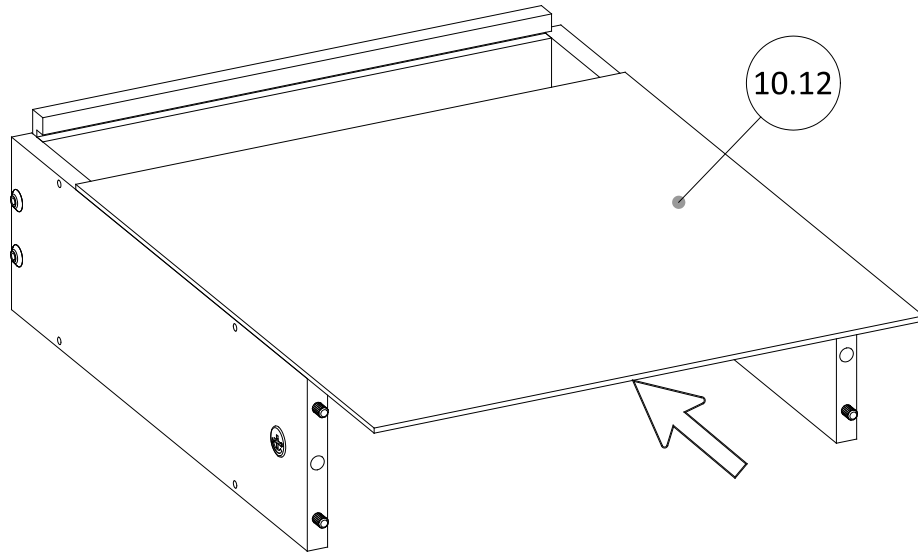


# 20

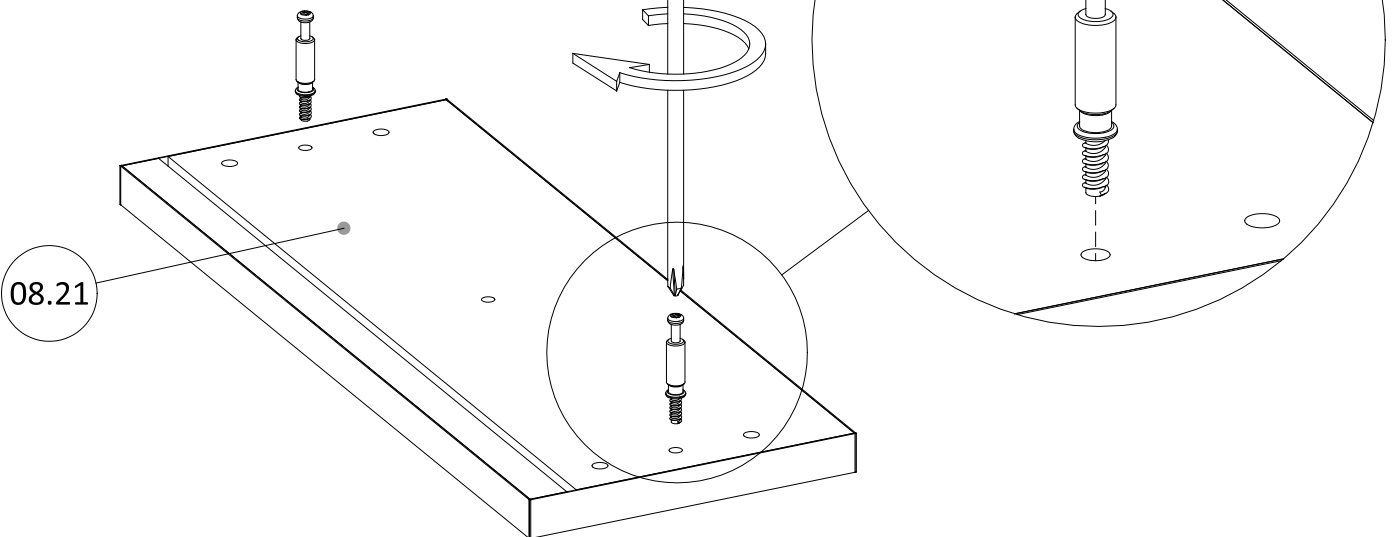
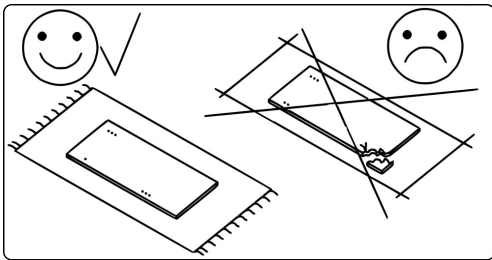
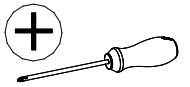
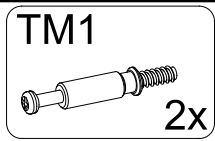
KP	6x40
	4x



# 21

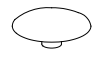
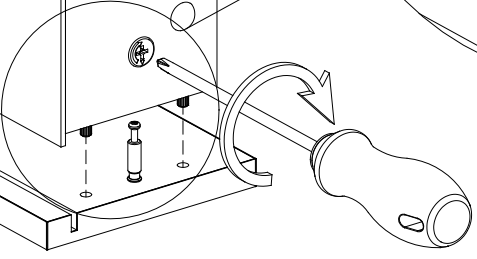
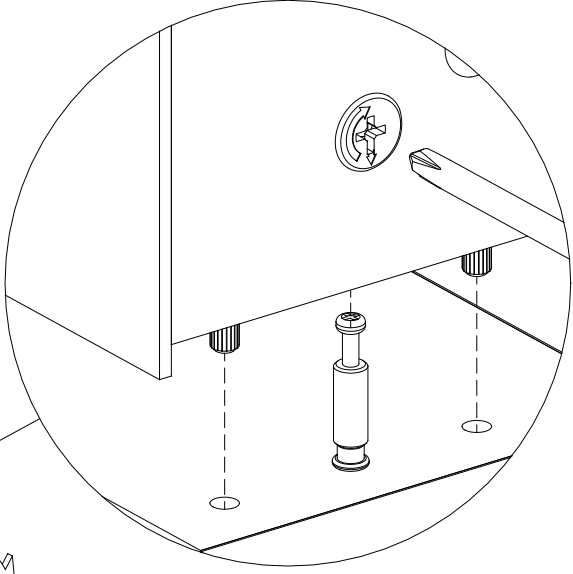
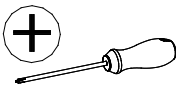
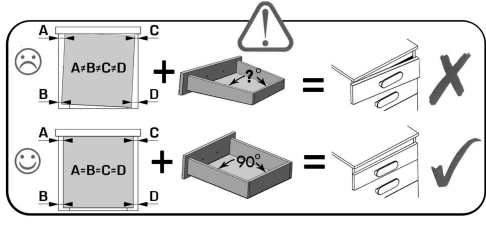
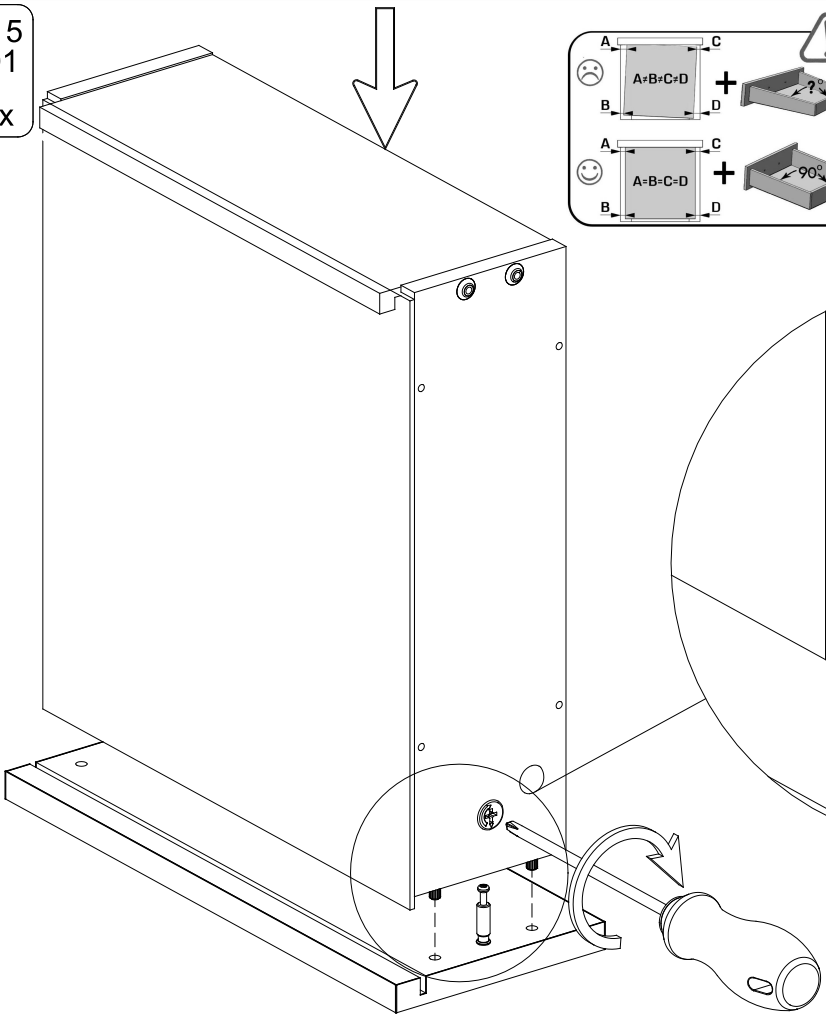


# 22



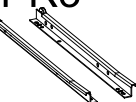
# 23

ZS10  $\varnothing 15$   
K-01  
2x





# 24

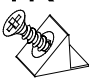
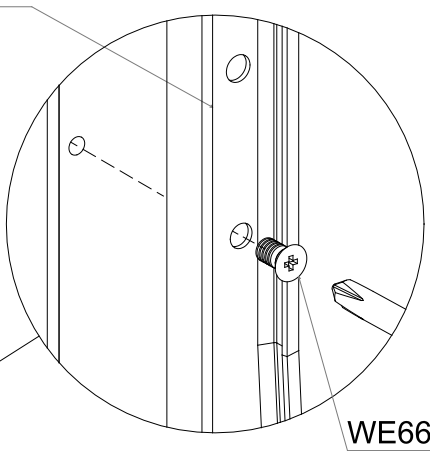
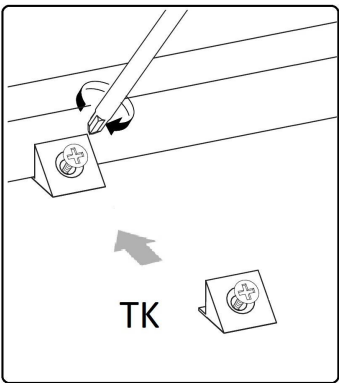
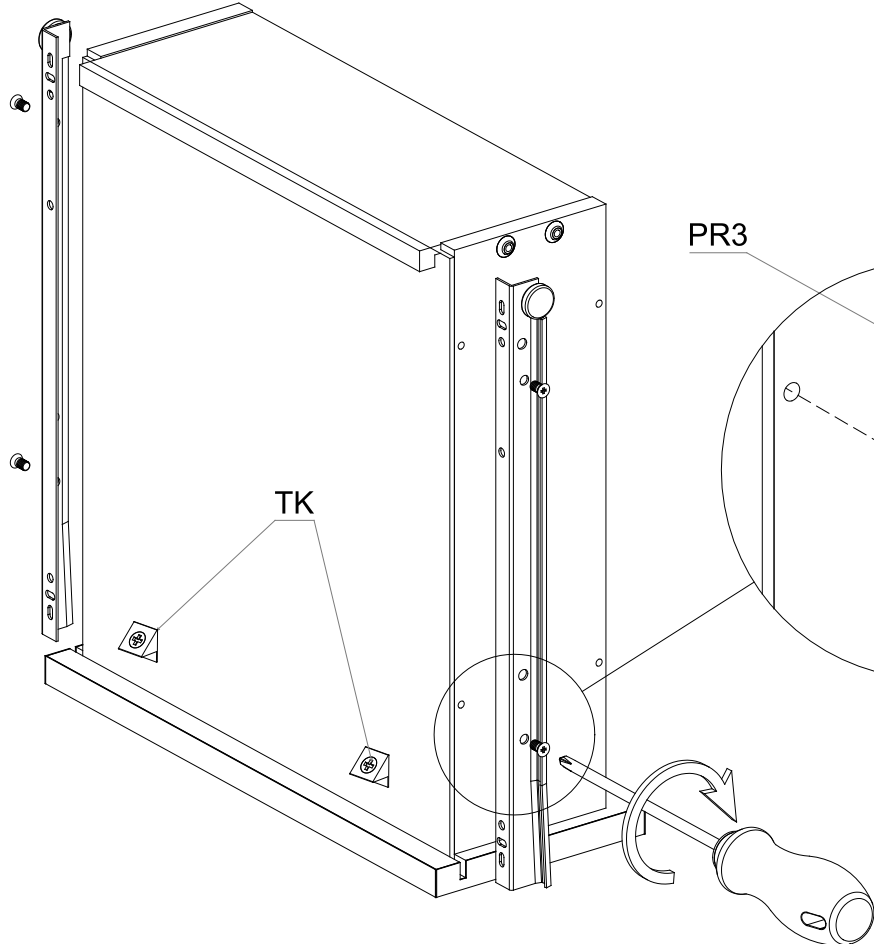
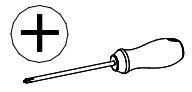
PR3  
2x



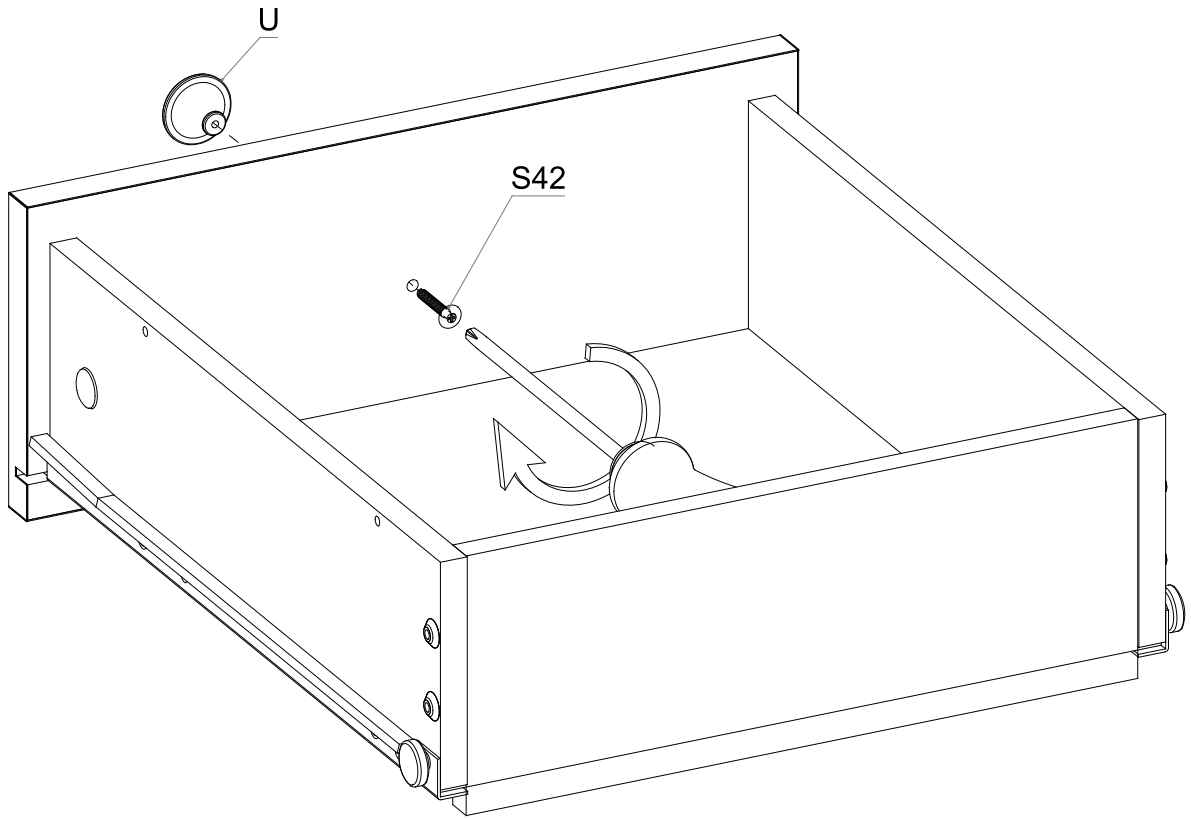
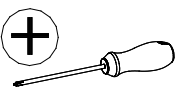
WE66 5x9  
4x



TK  
2x

25 U Ø26 1x S42 4x25 1x



26

