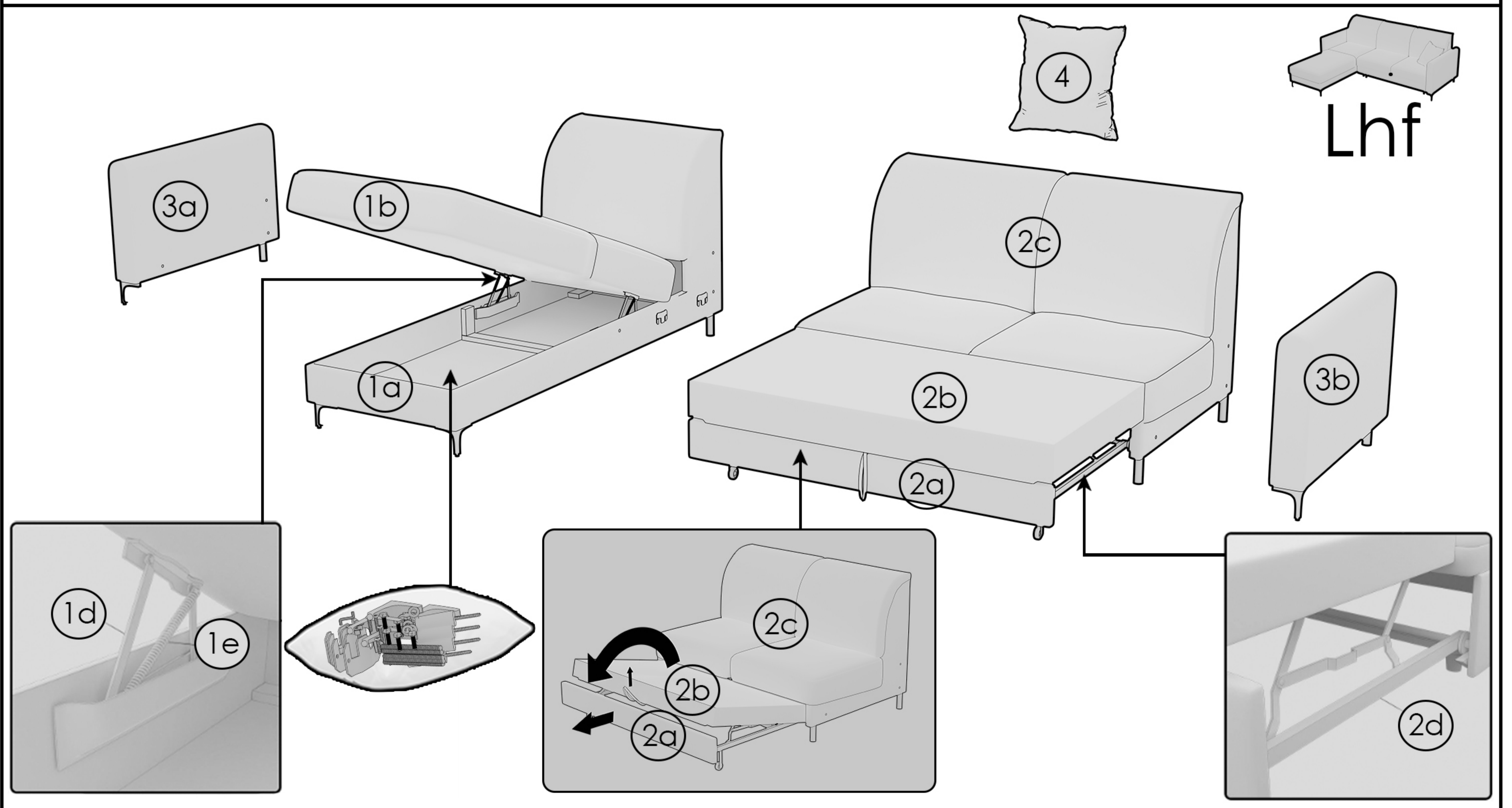
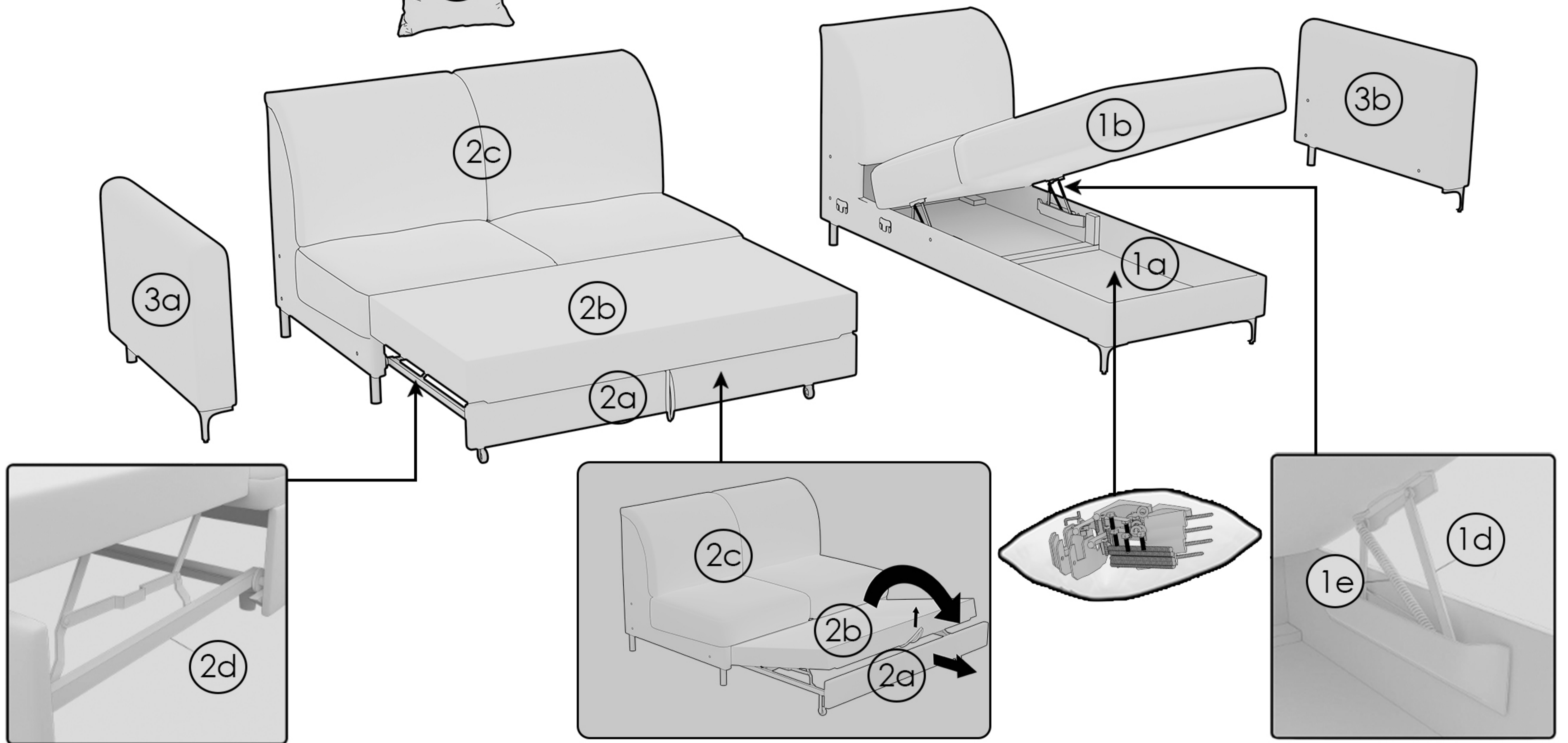


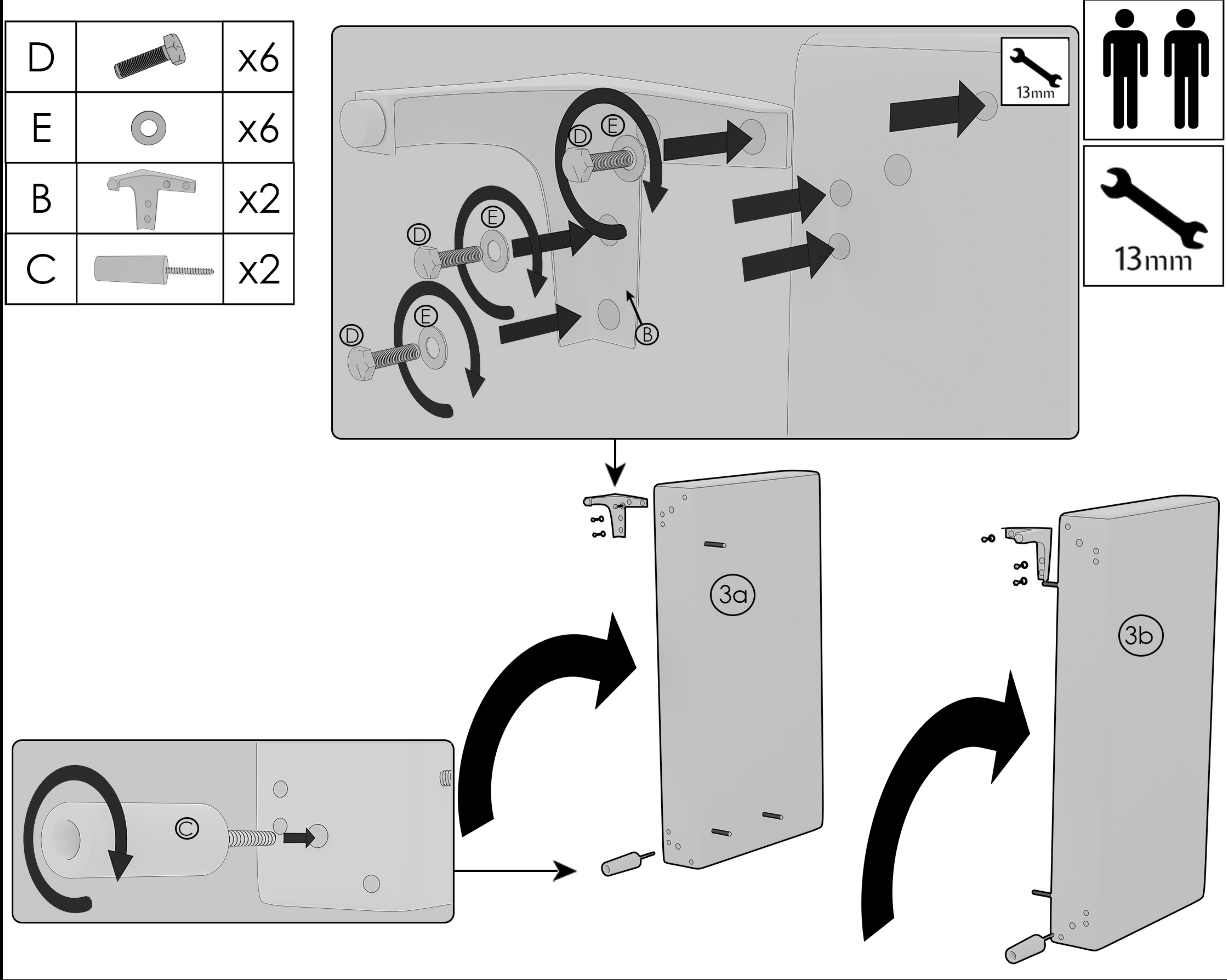
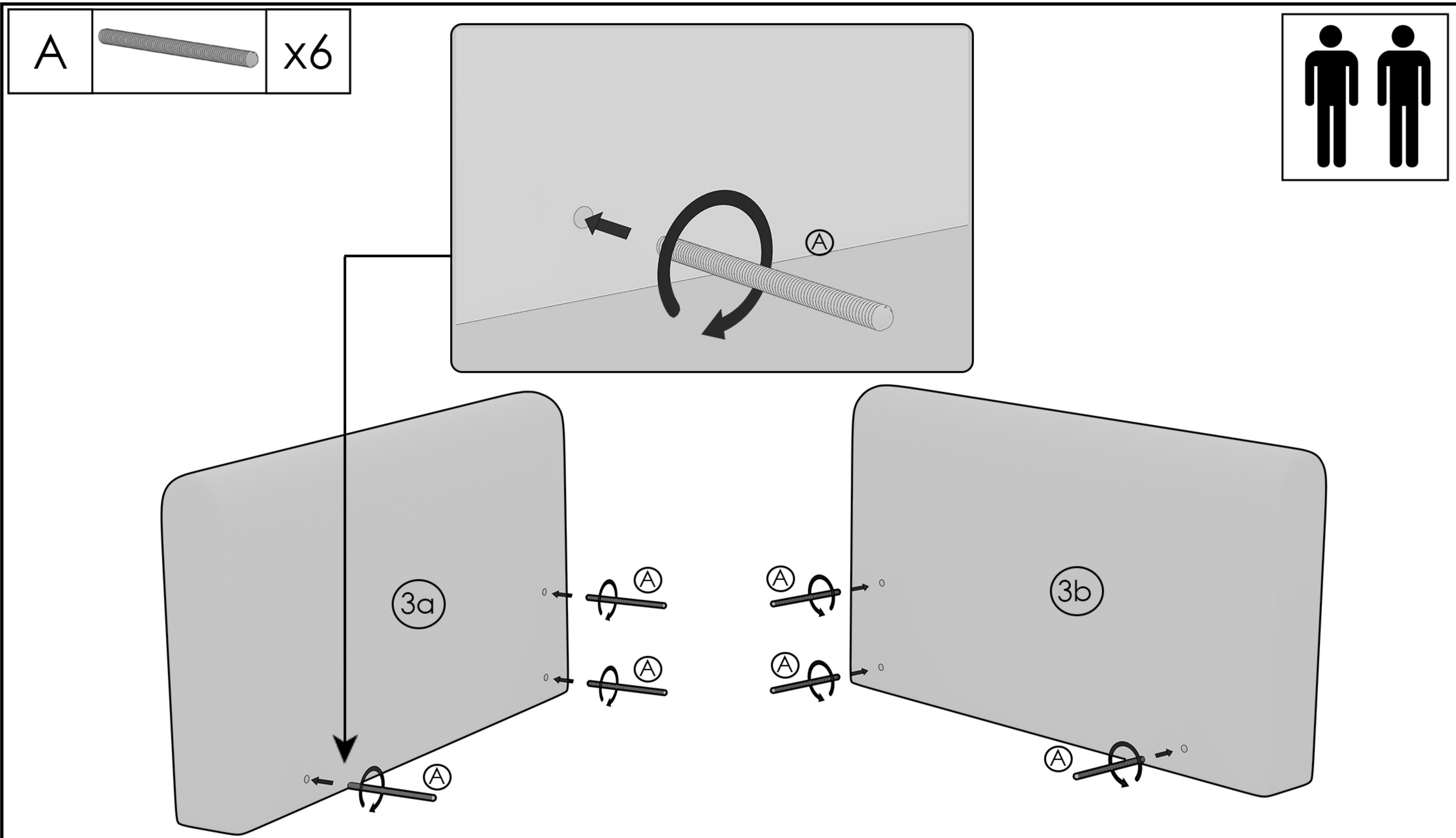




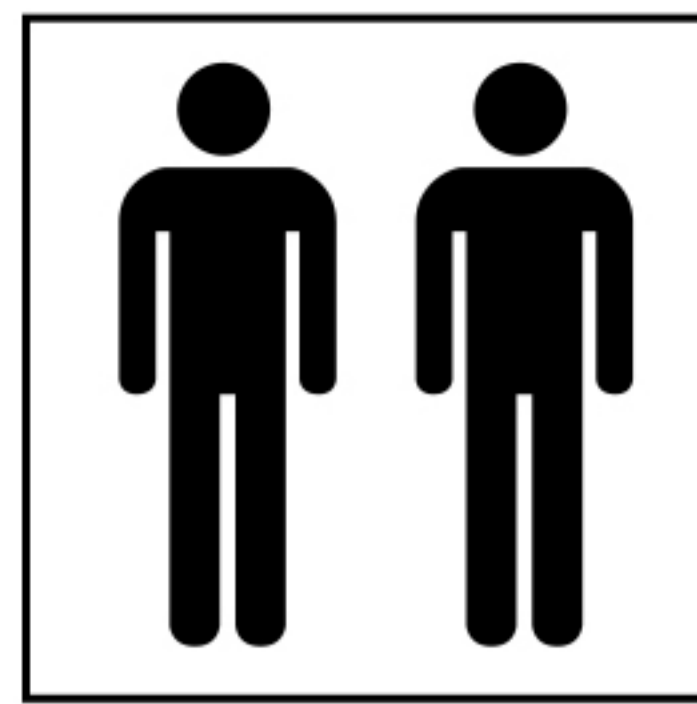
A		x6	G		x4		 60 min		
B		x4	H		x4				
C		x8	I		x4	 13mm			Rhf
D		x14	J		x8				
E		x14	K		x1				
F		x2							



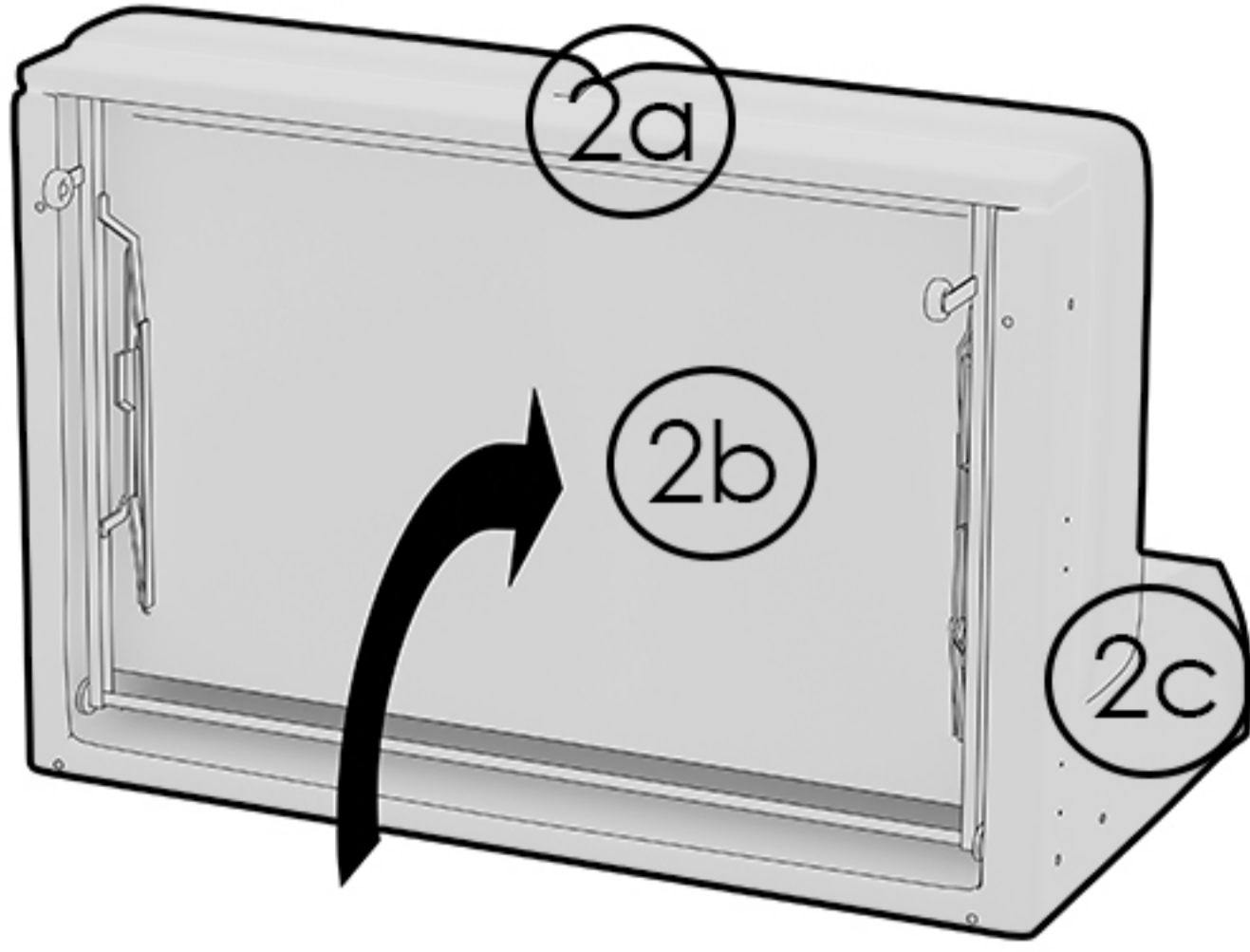




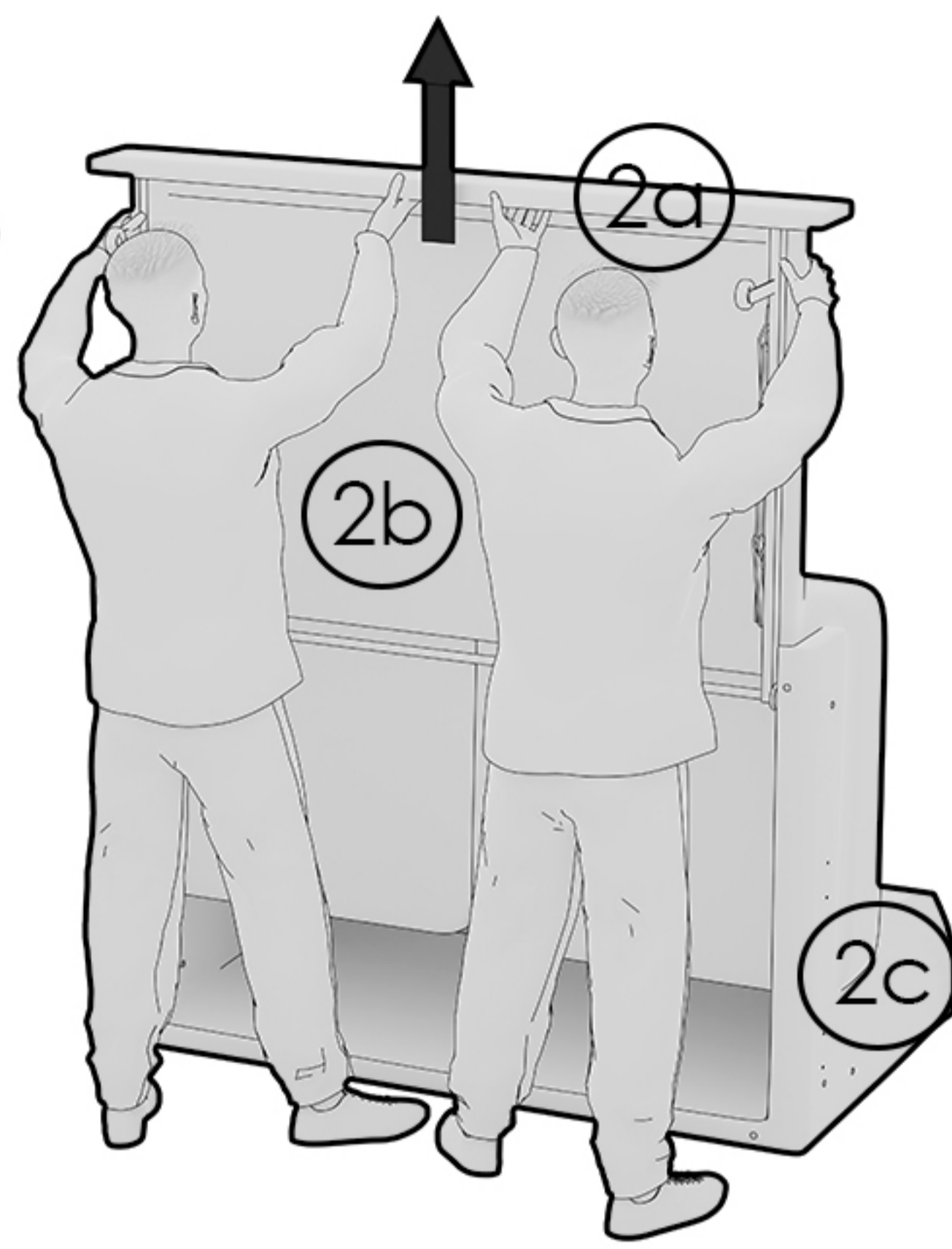




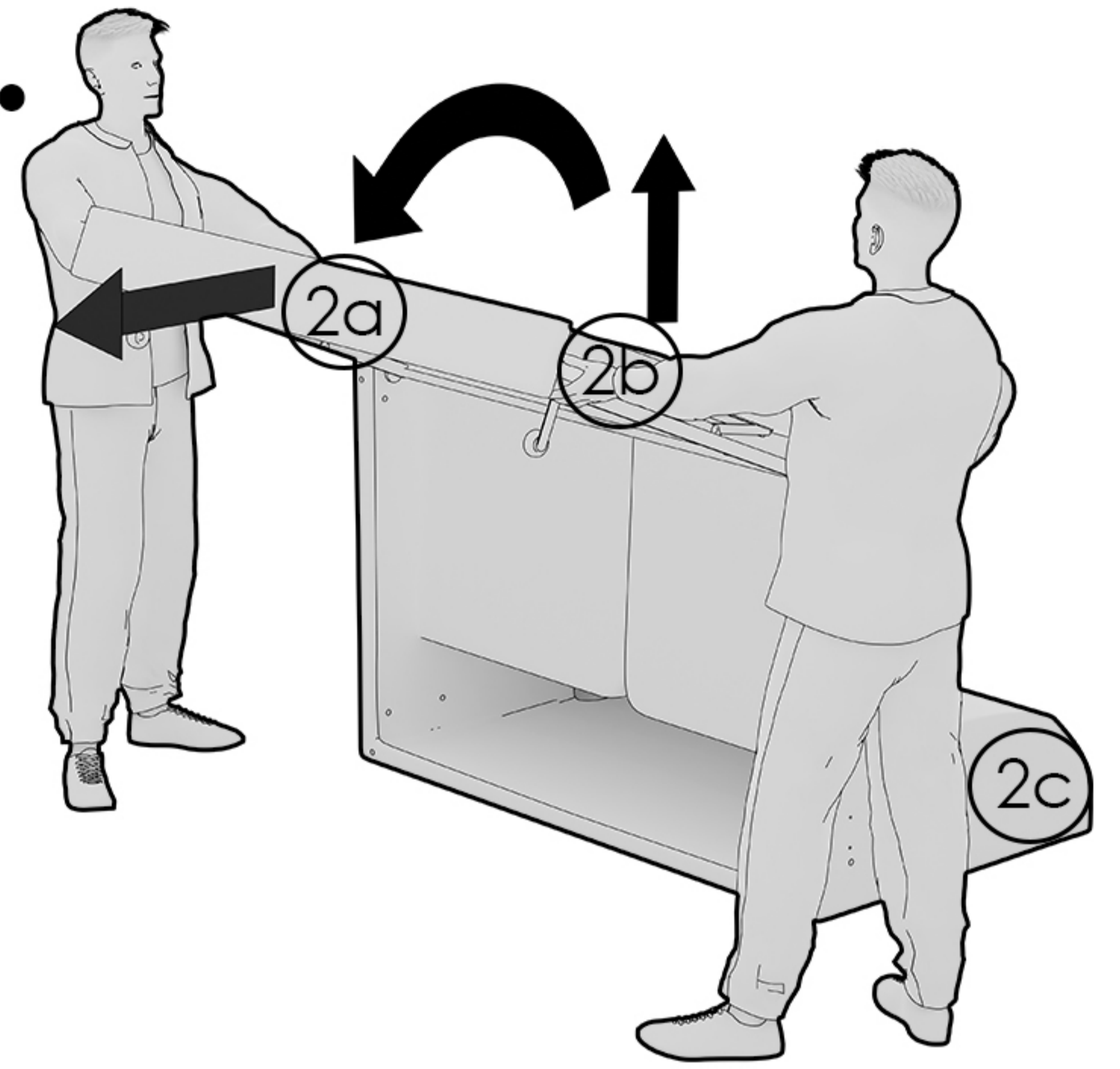
I.



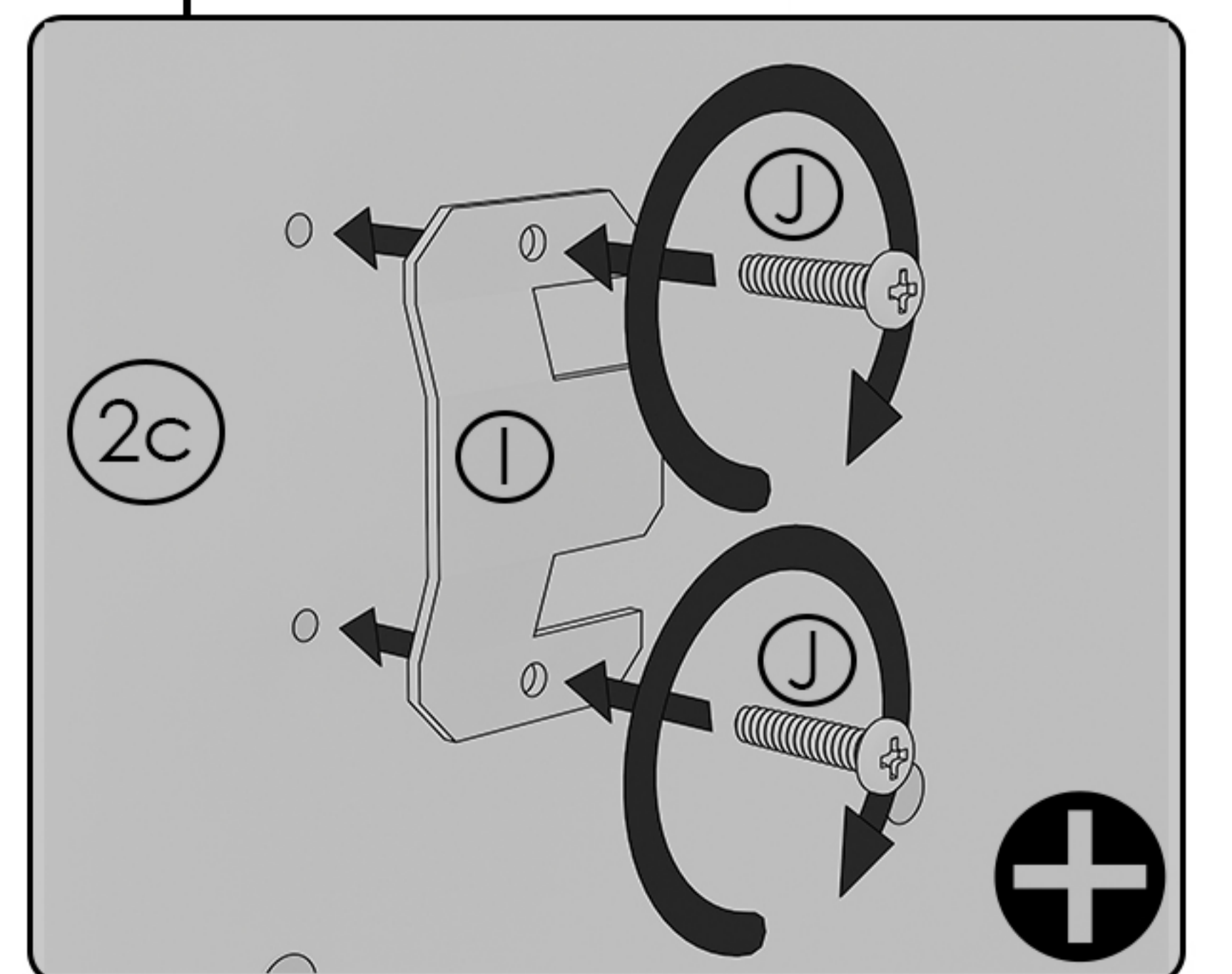
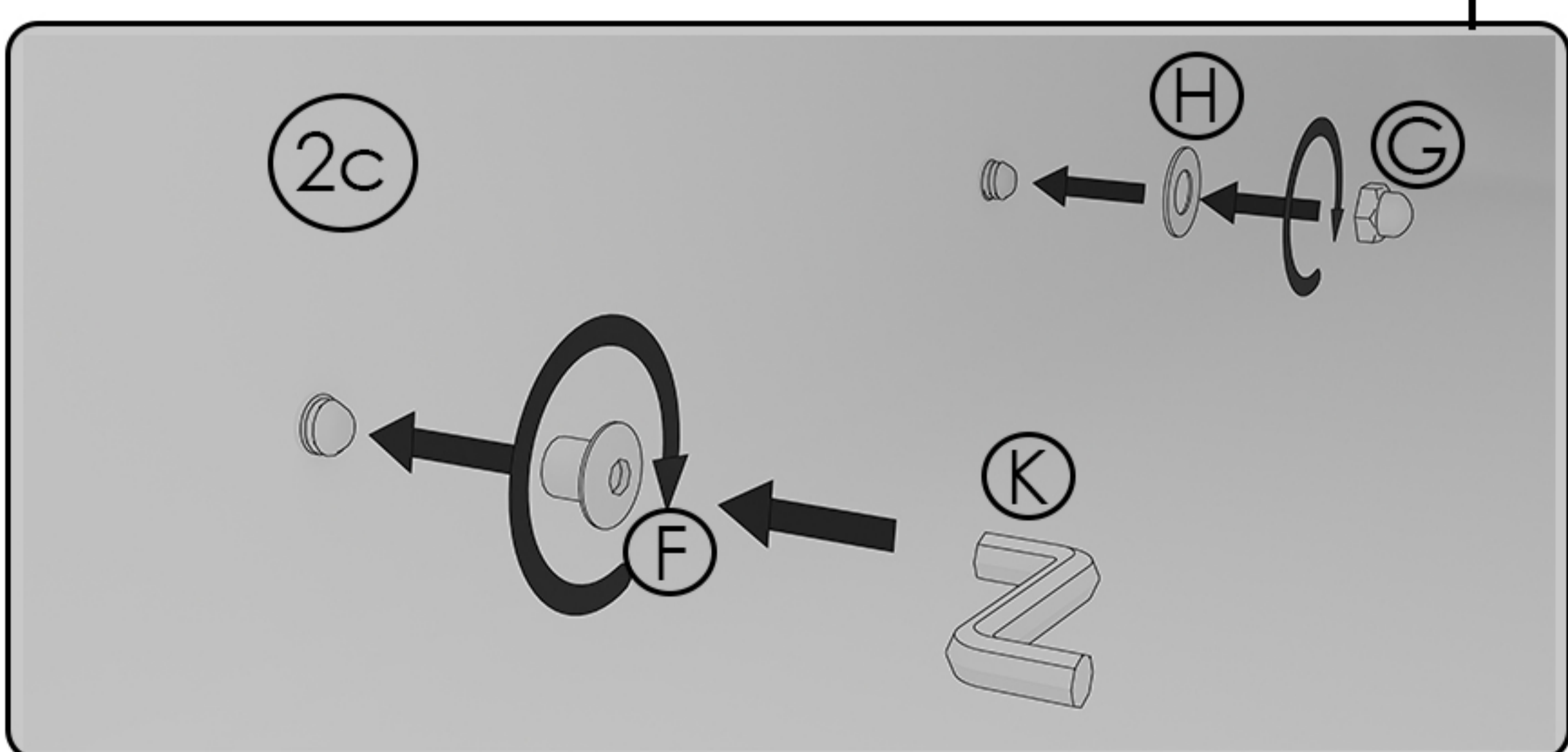
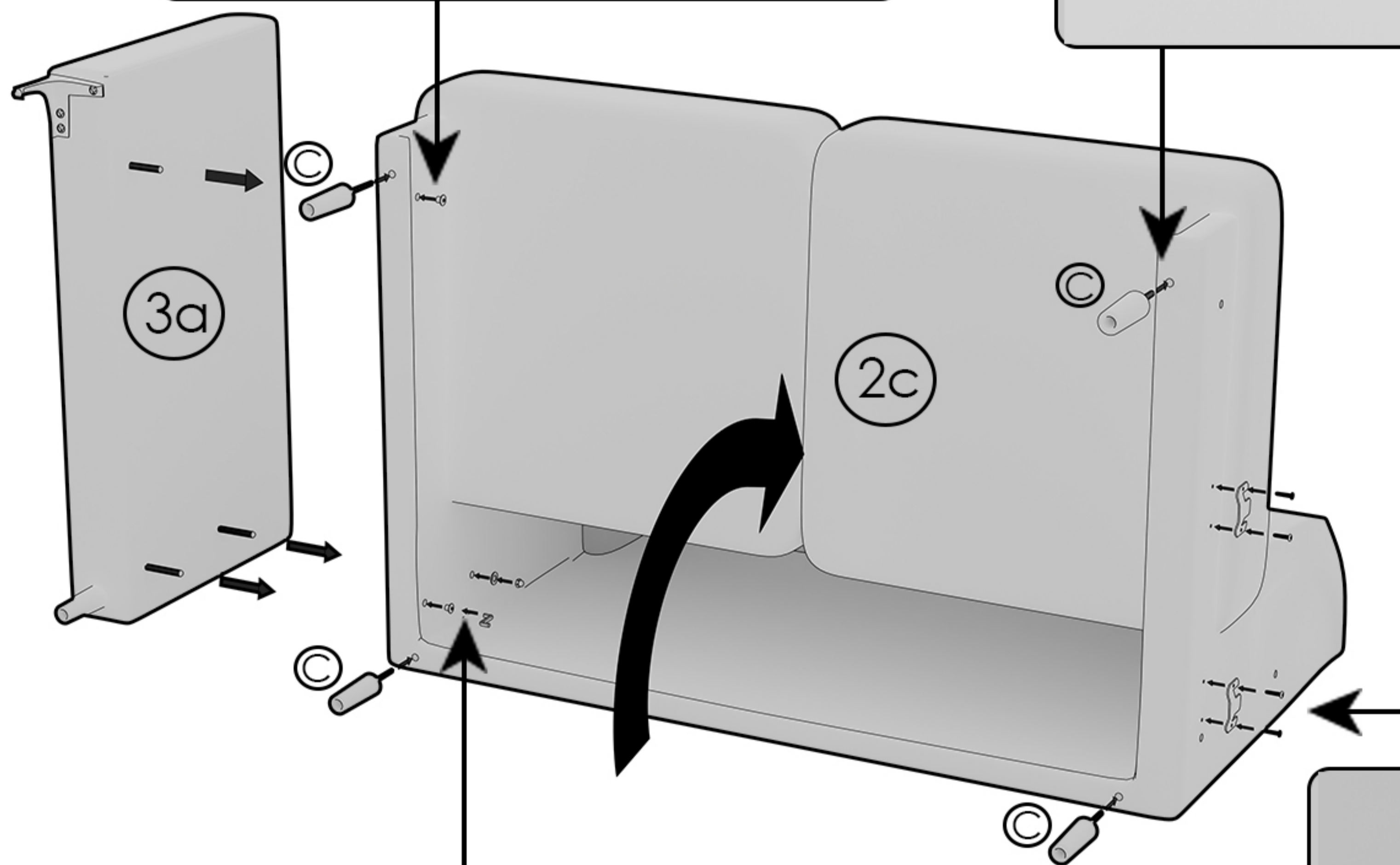
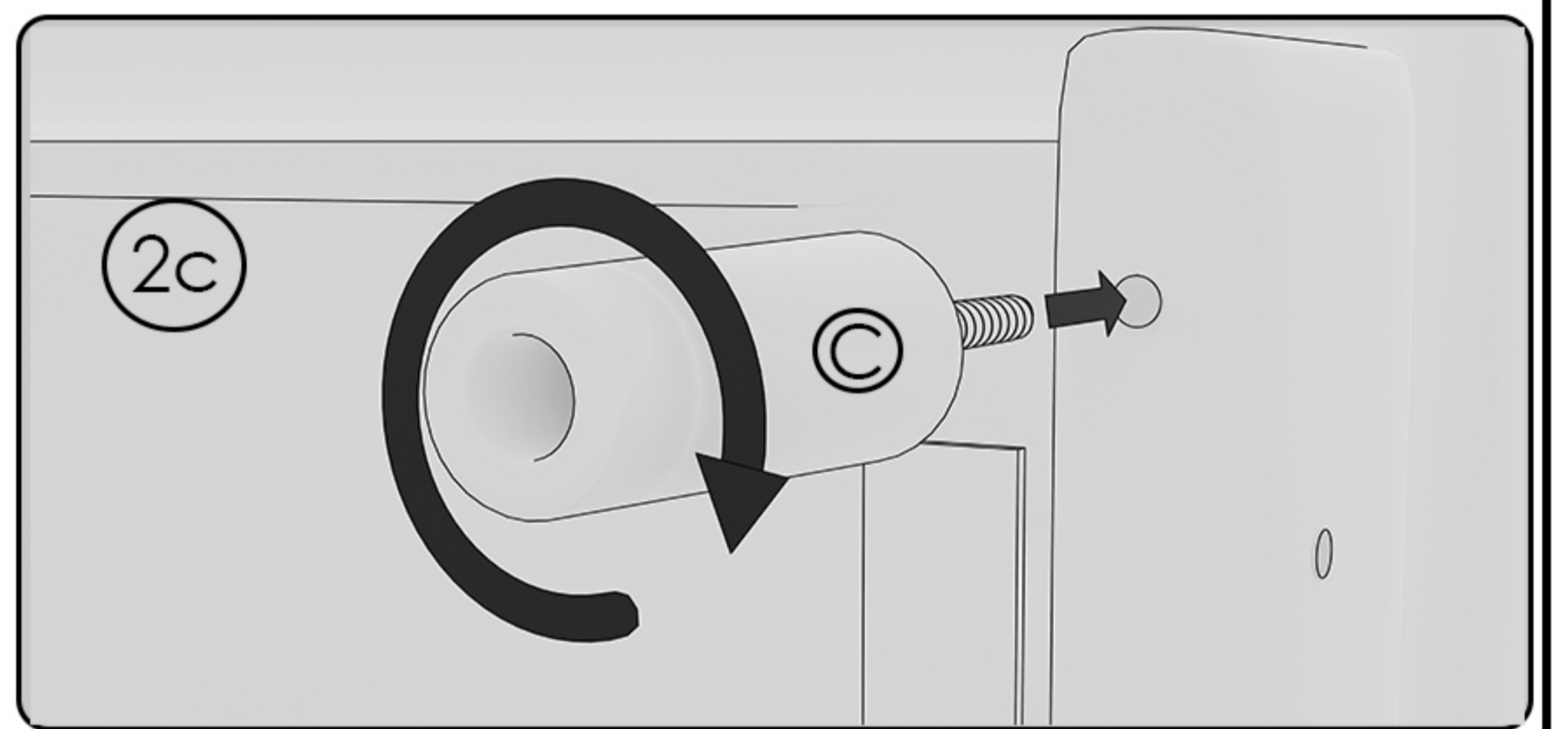
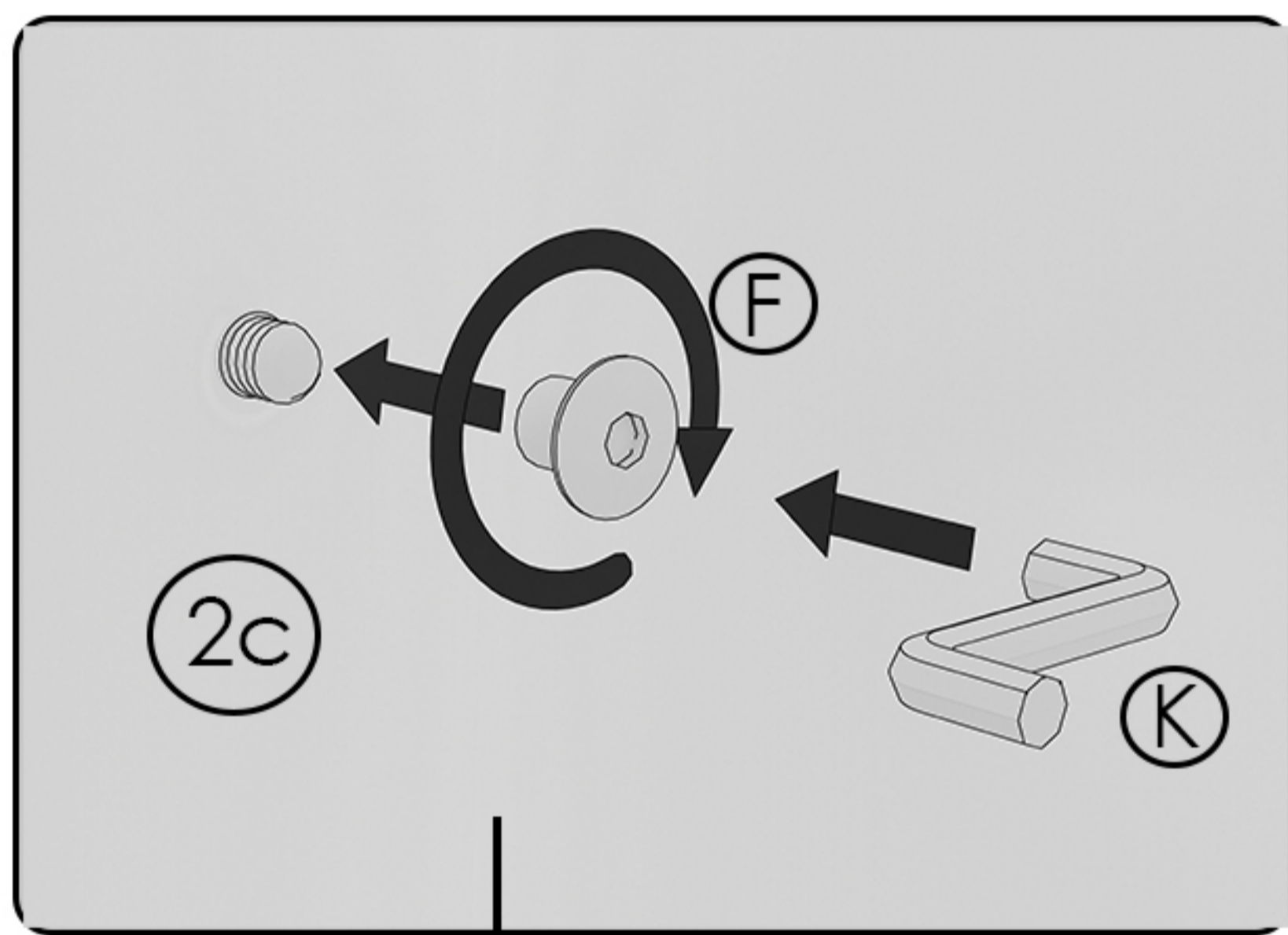
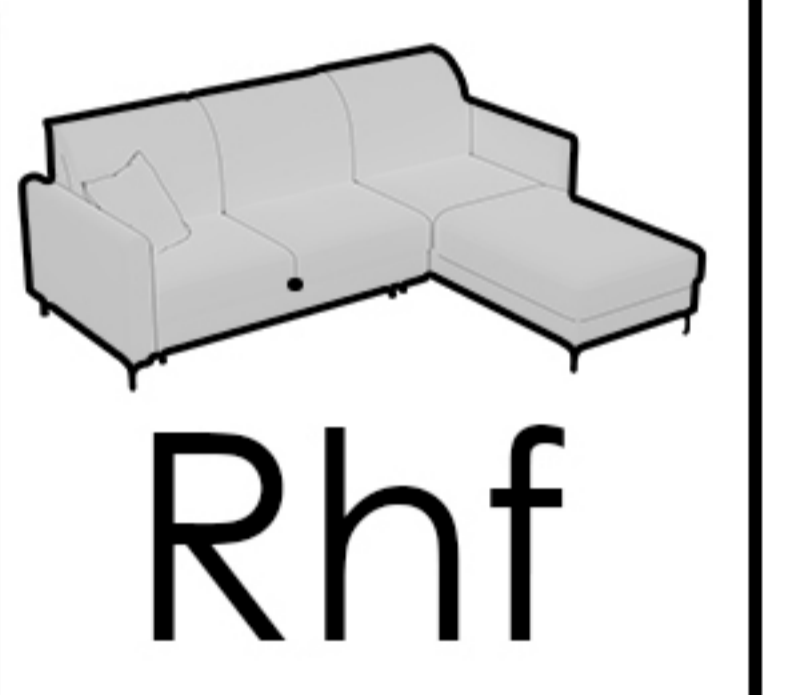
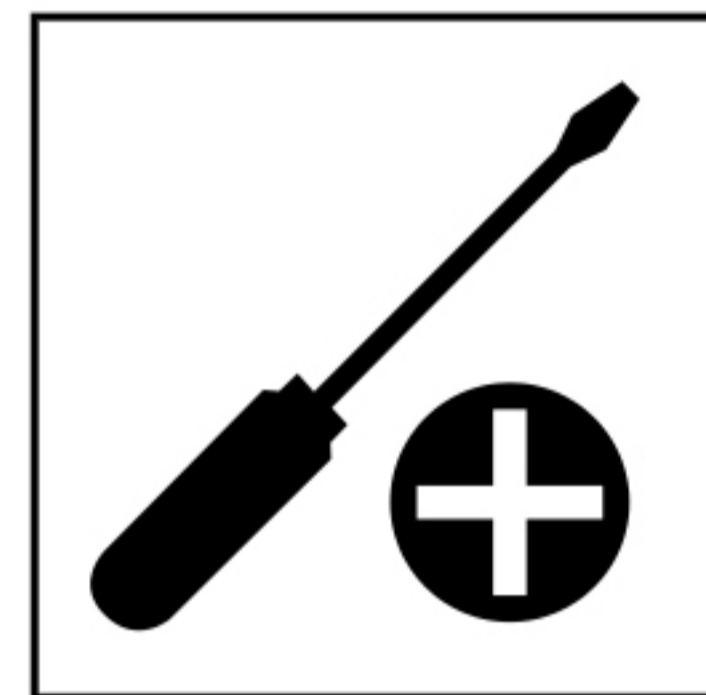
II.



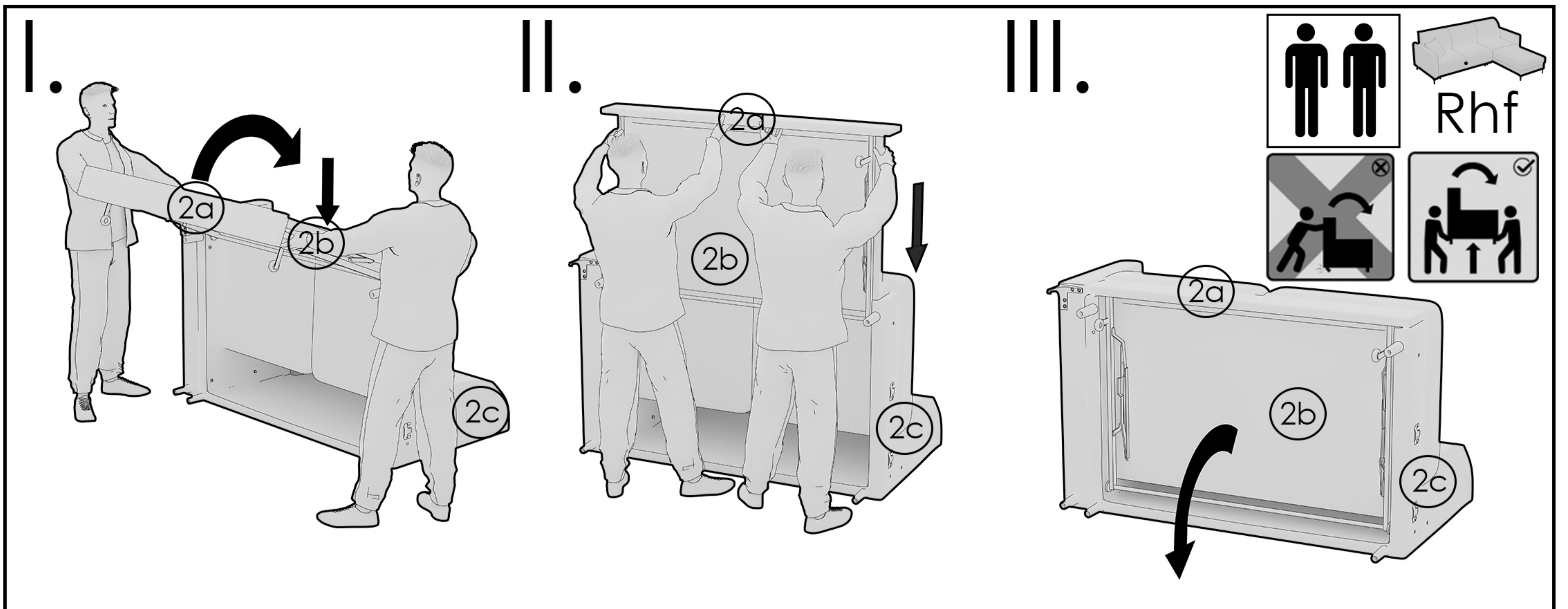
III.



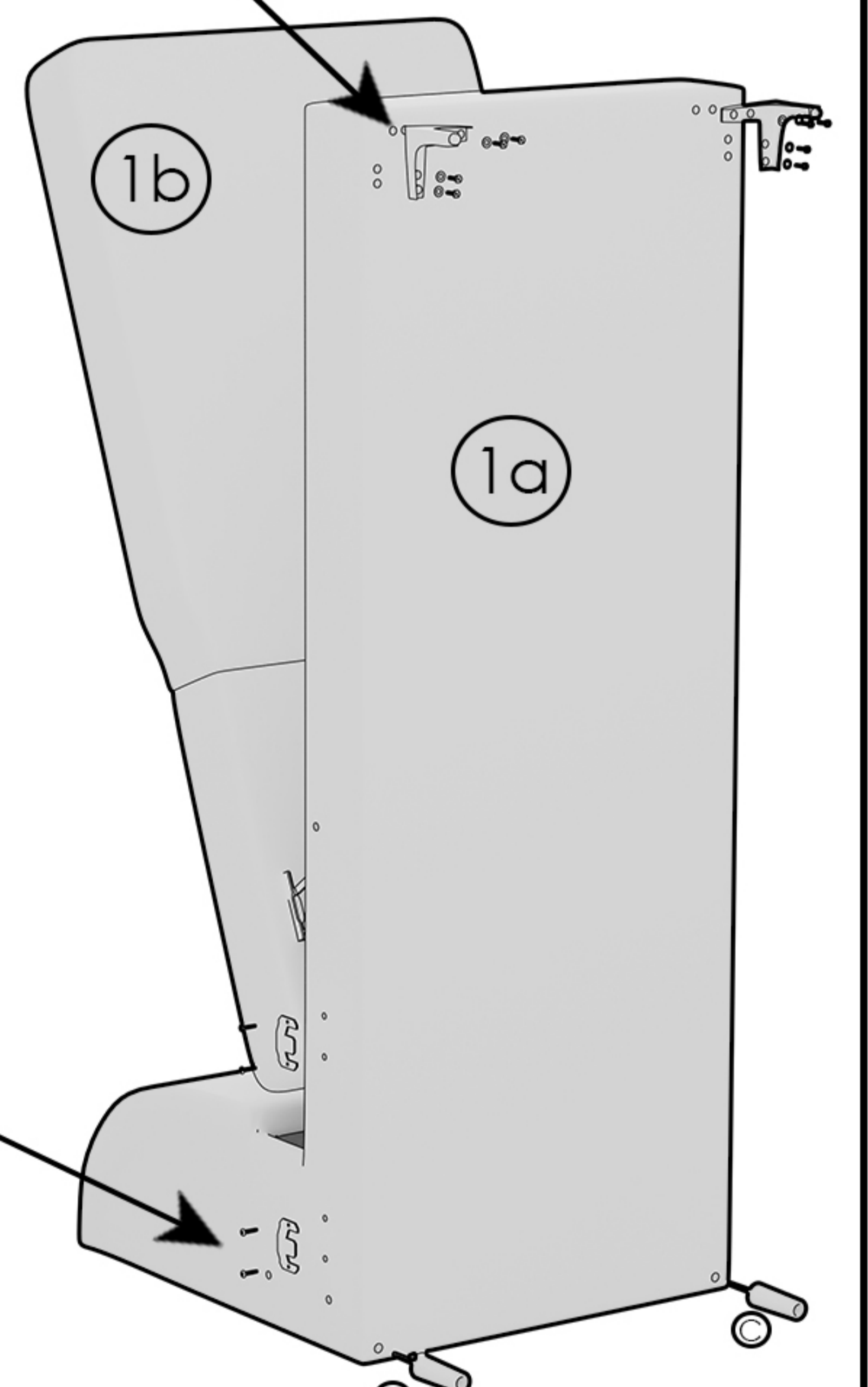
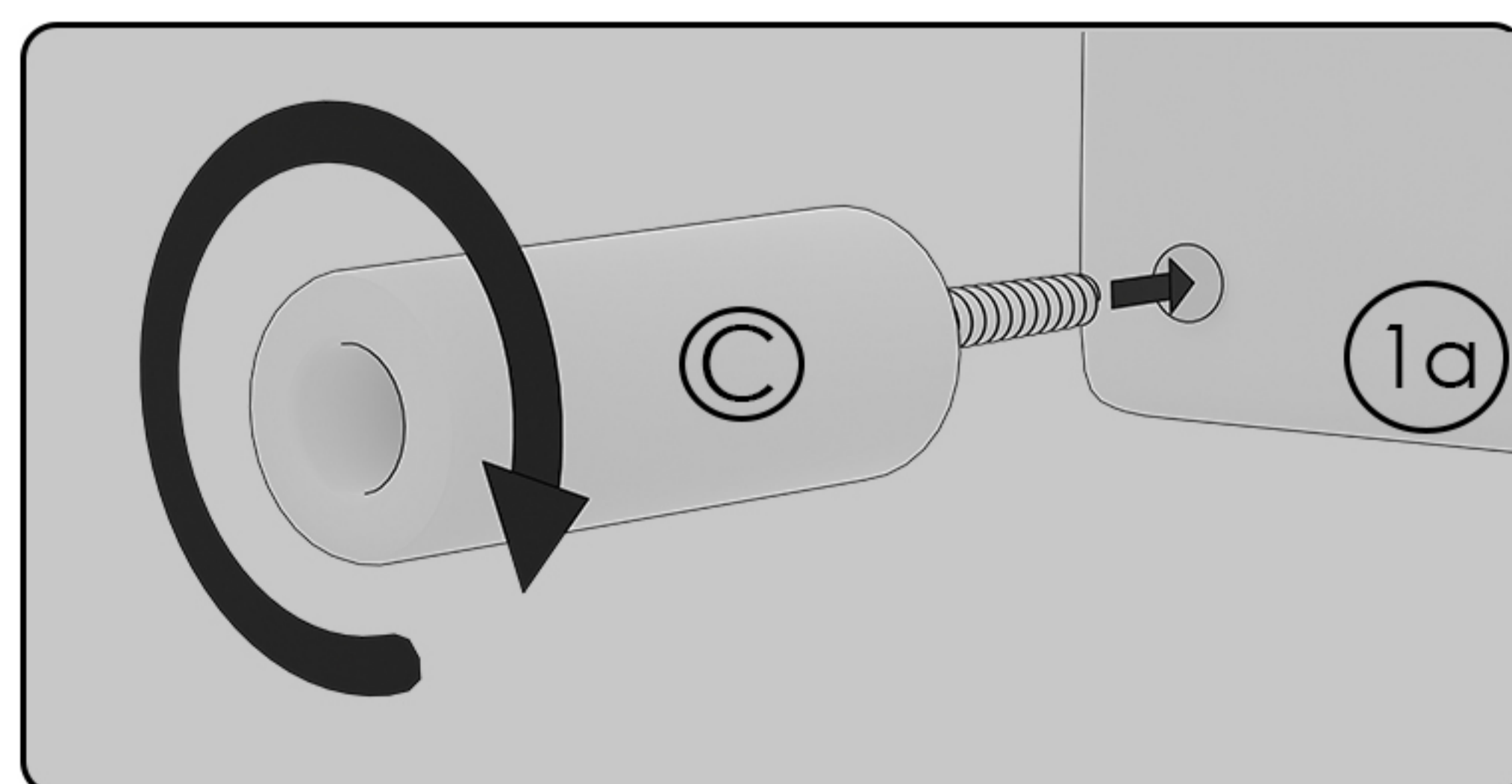
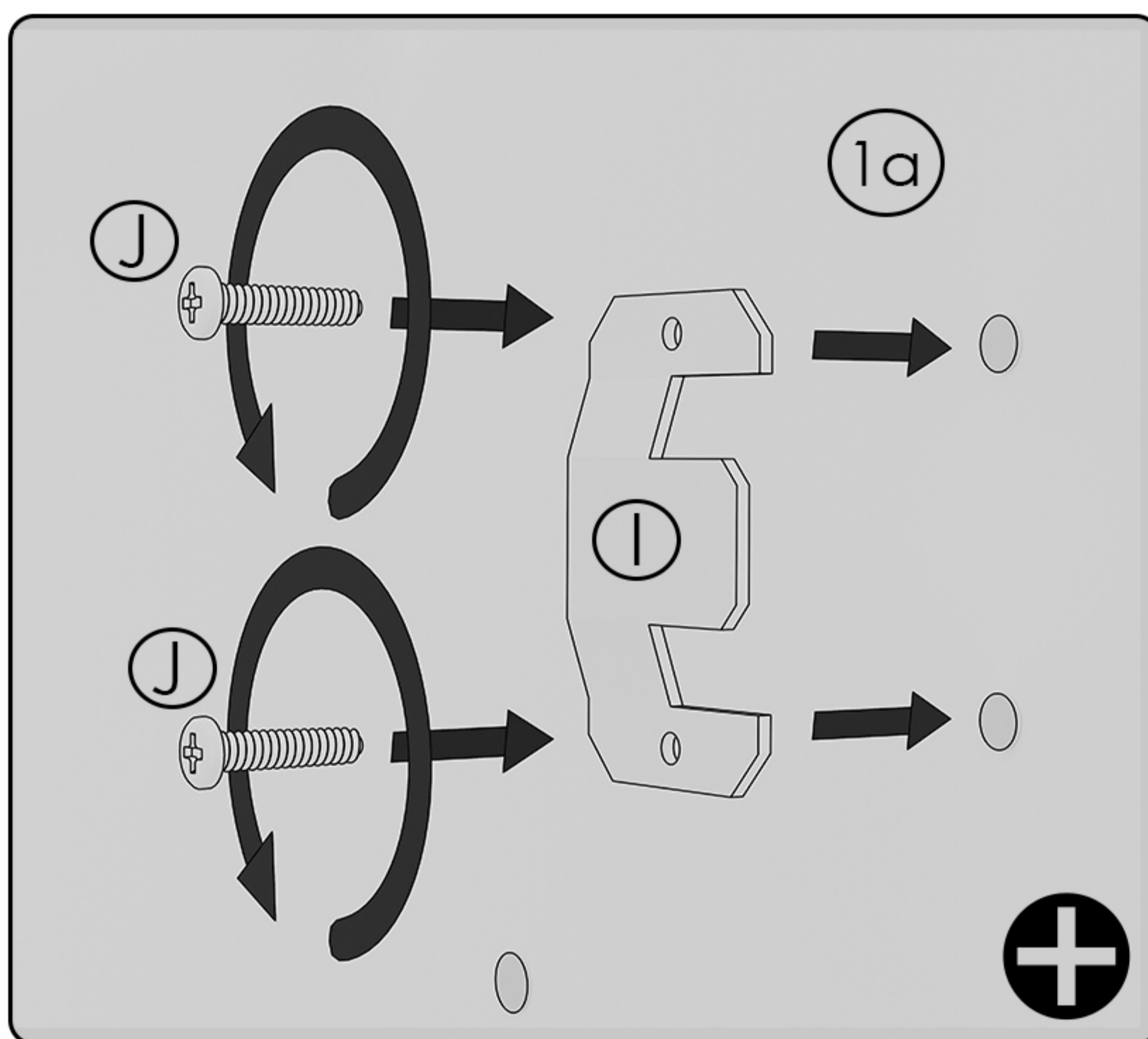
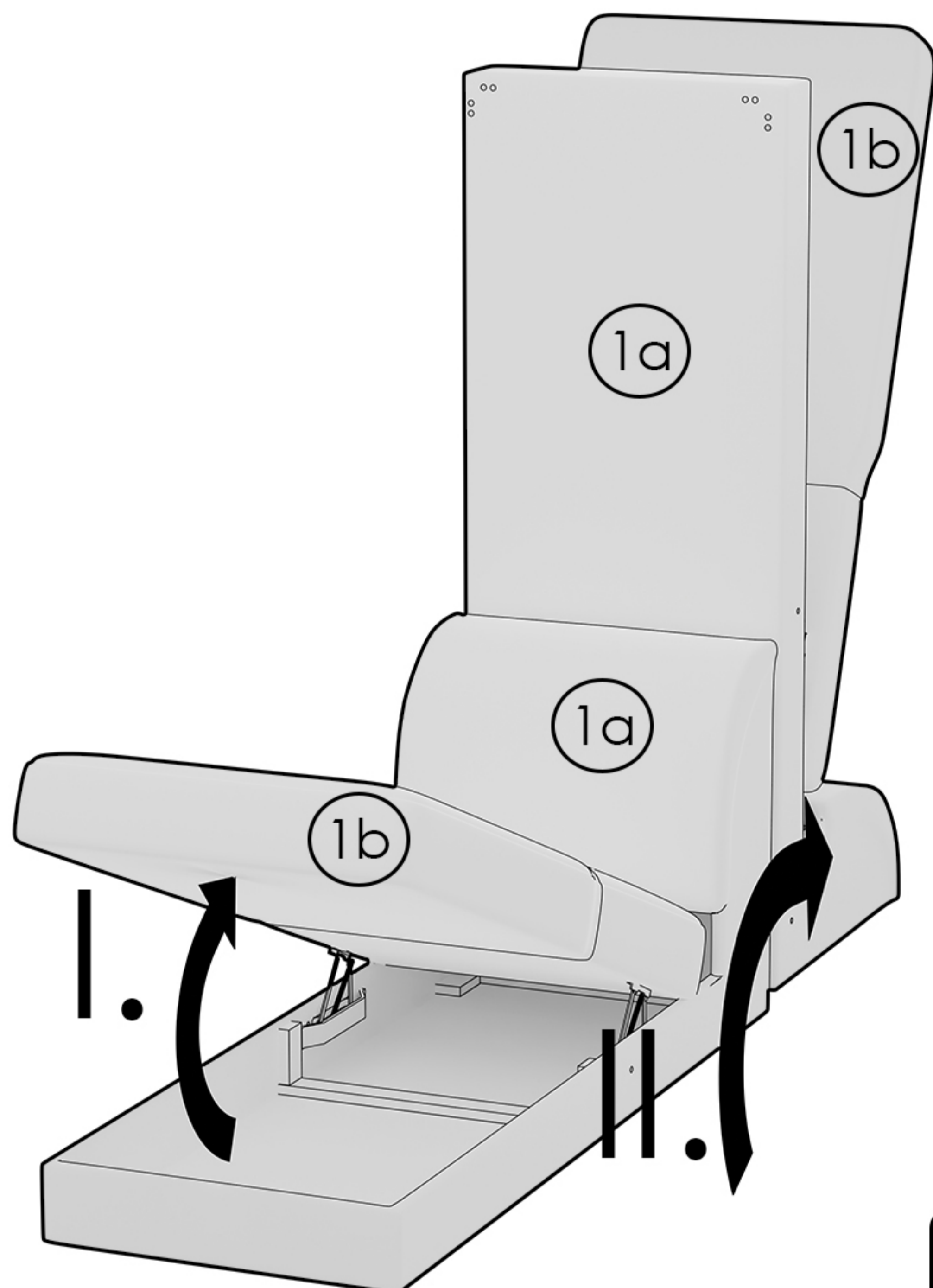
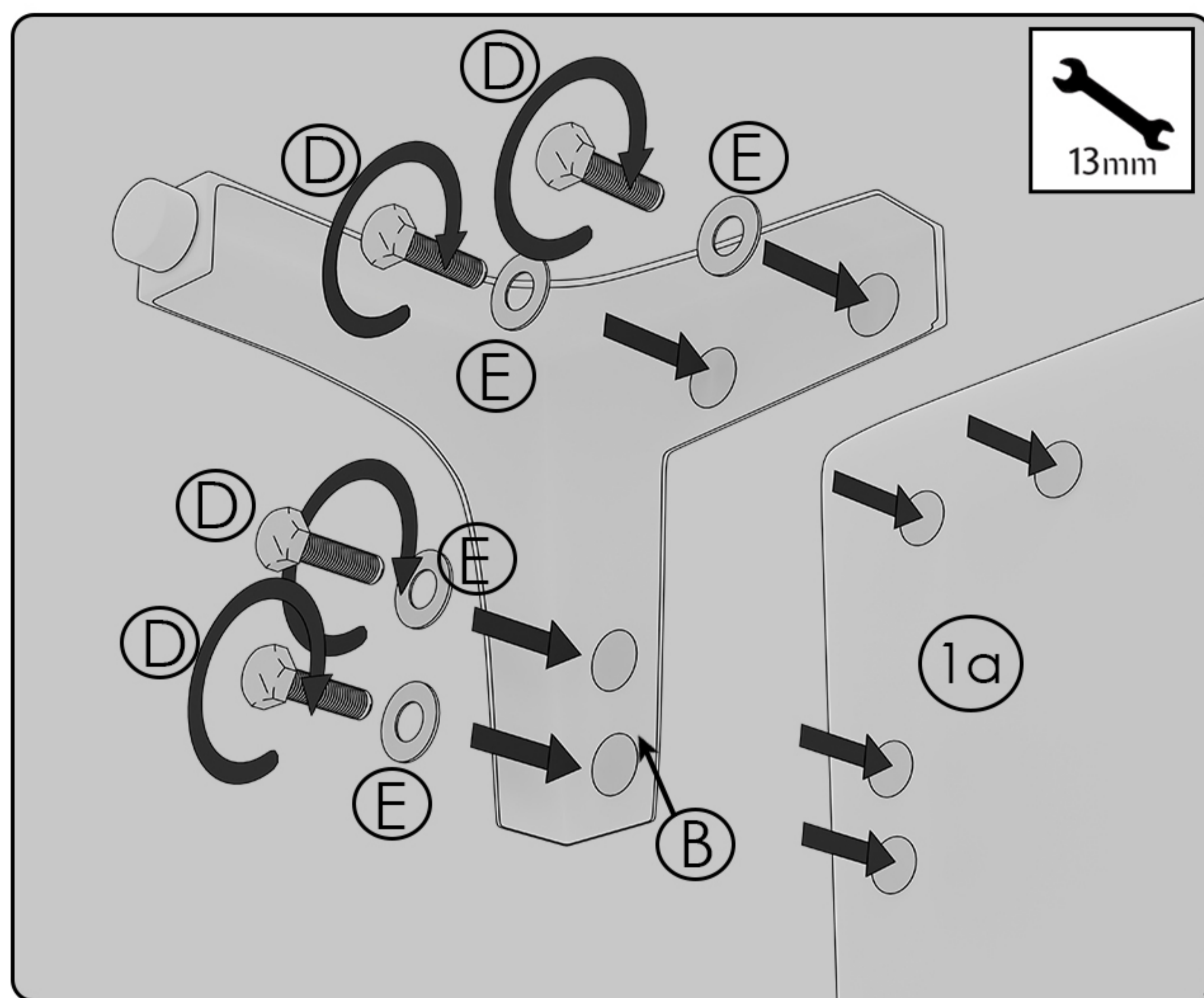
C		x4	I		x2
F		x2	J		x4
G		x1	K		x1
H		x1			




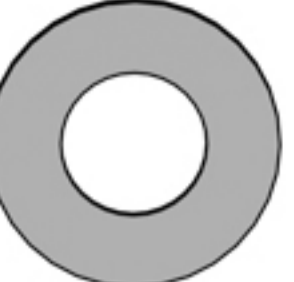


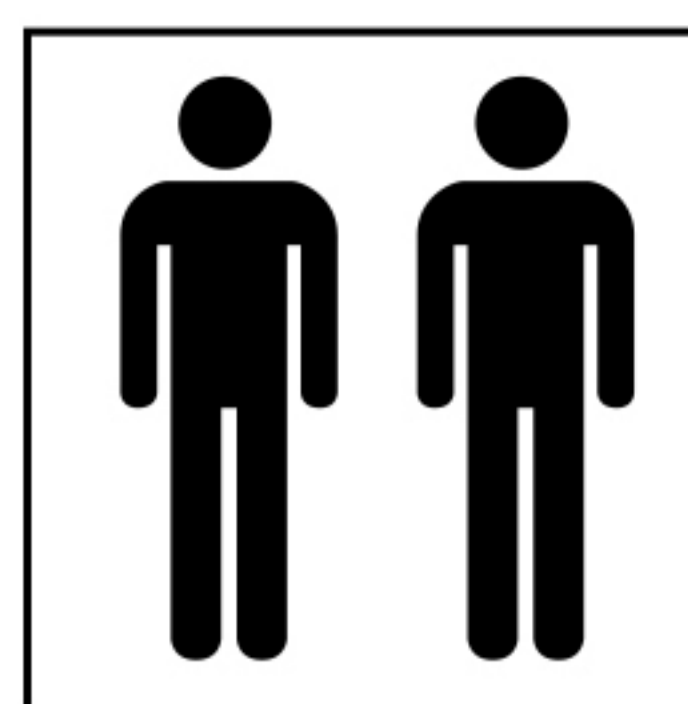


B		x2
C		x2
D		x8
E		x8
I		x2
J		x2

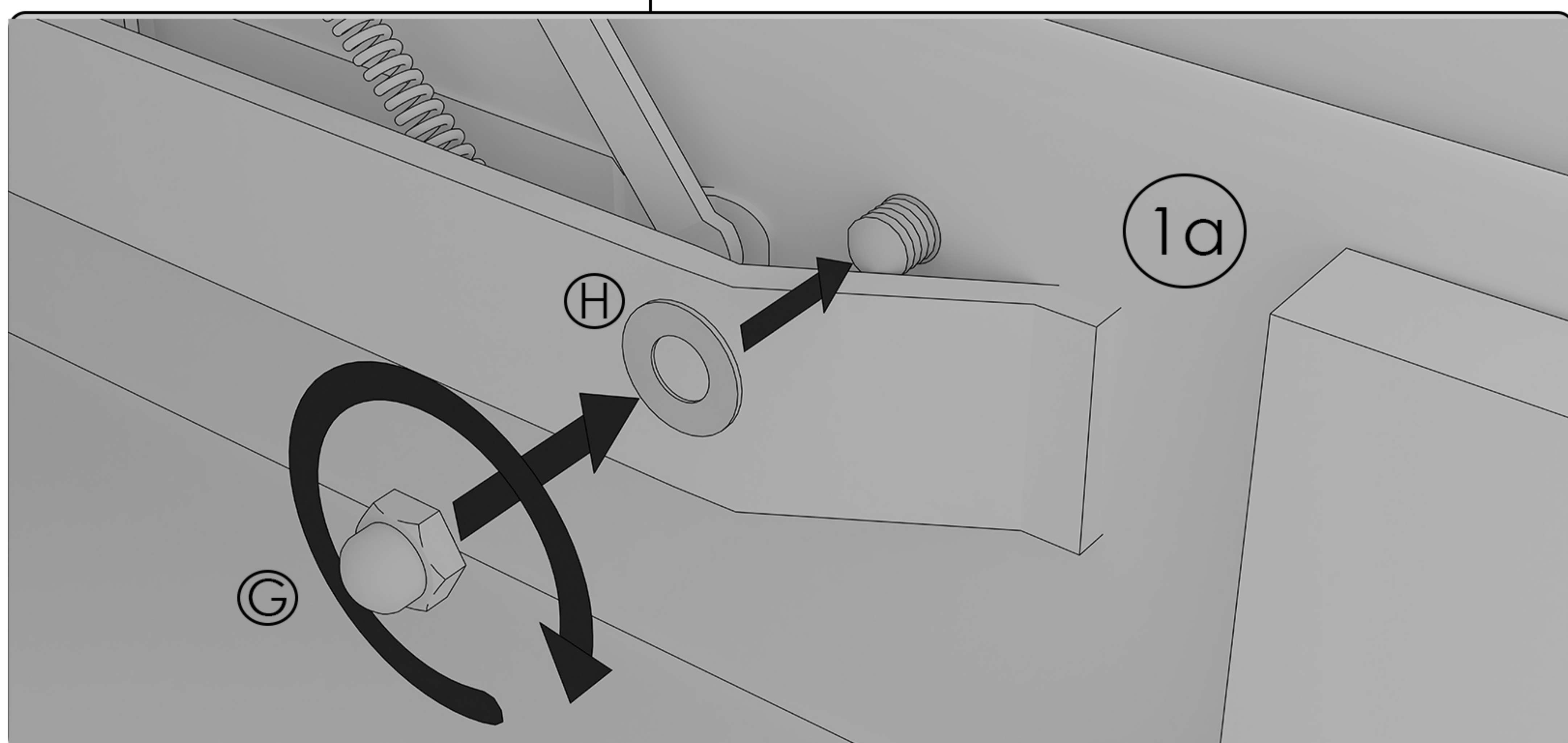
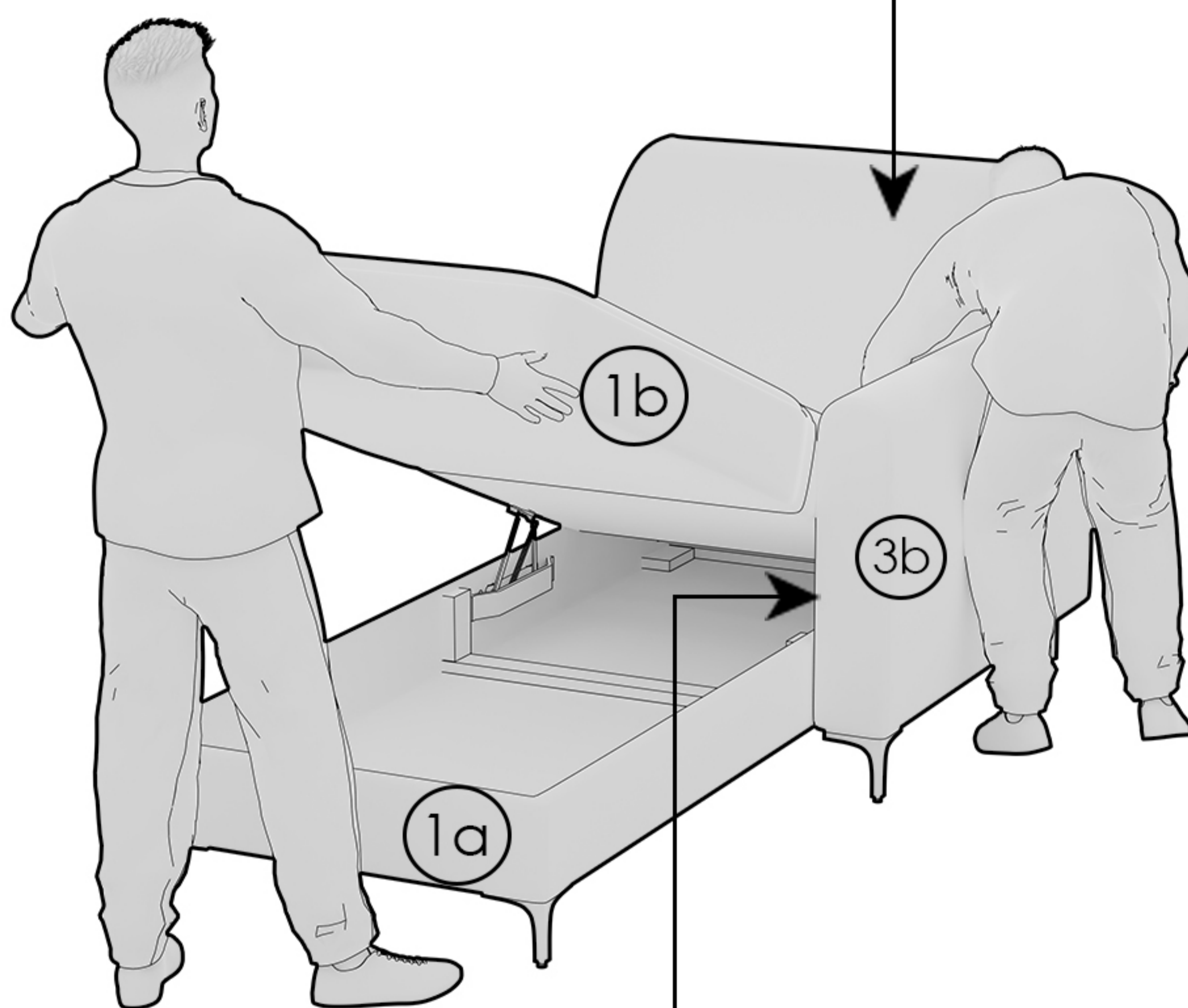
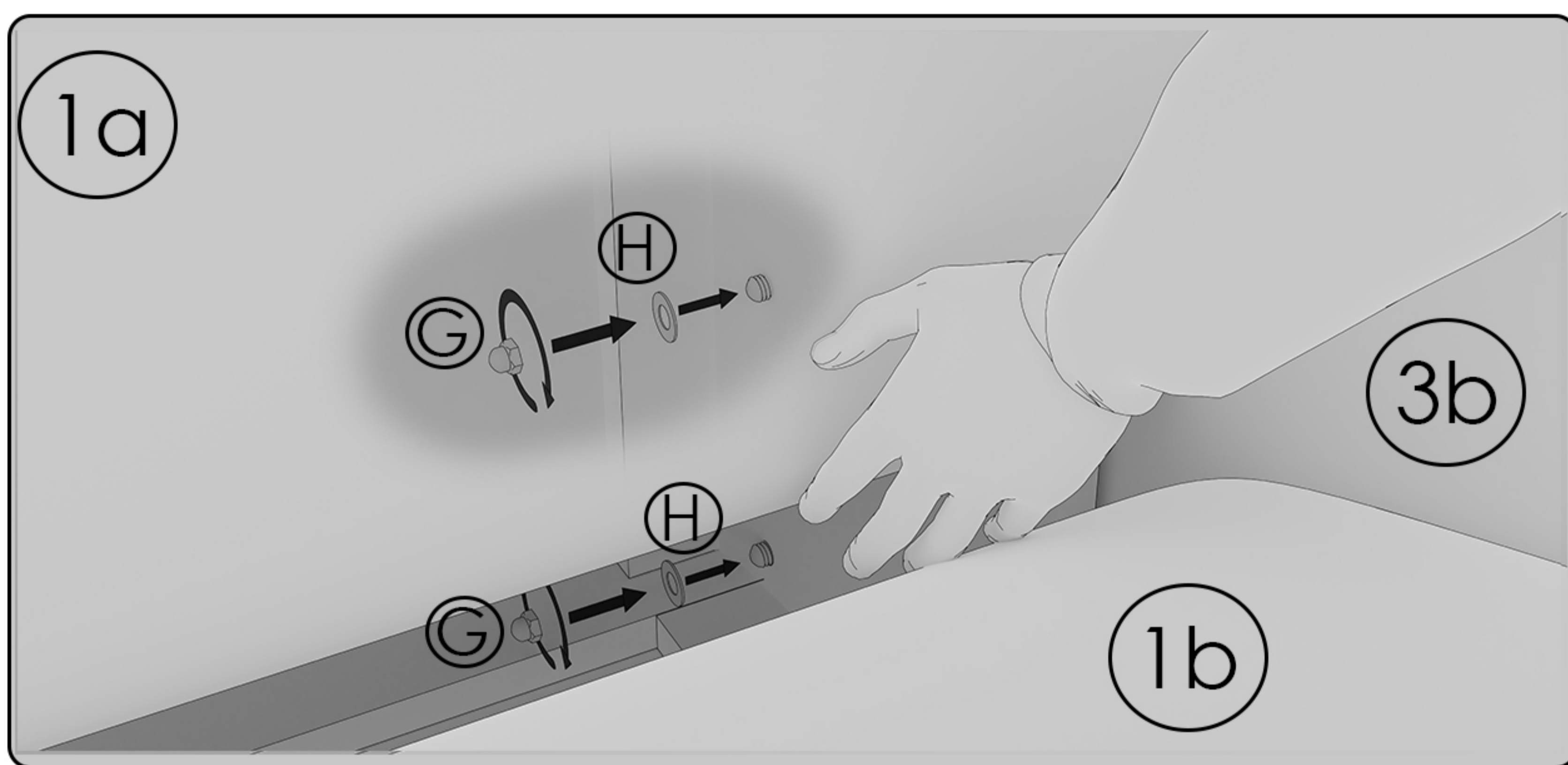
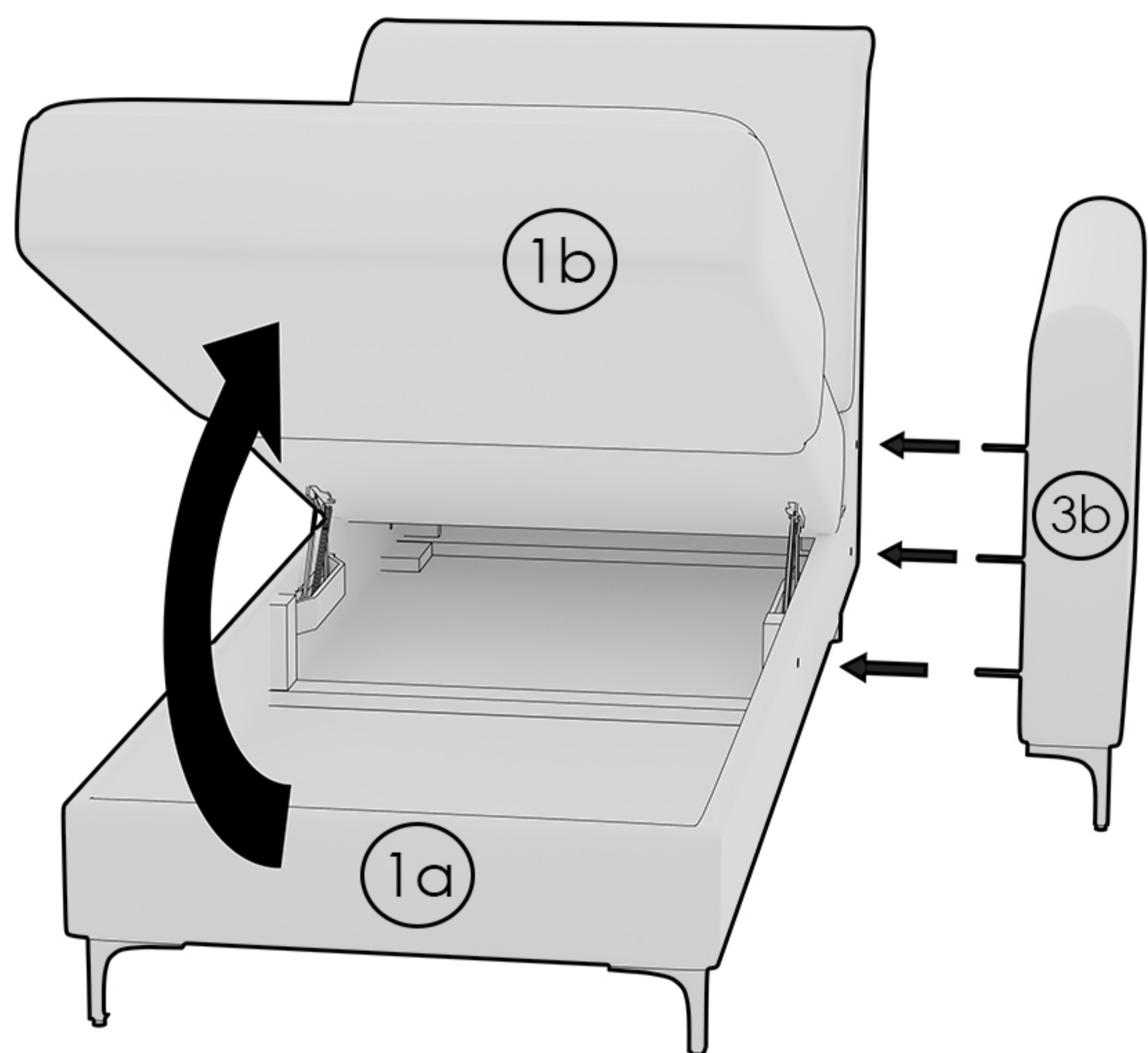




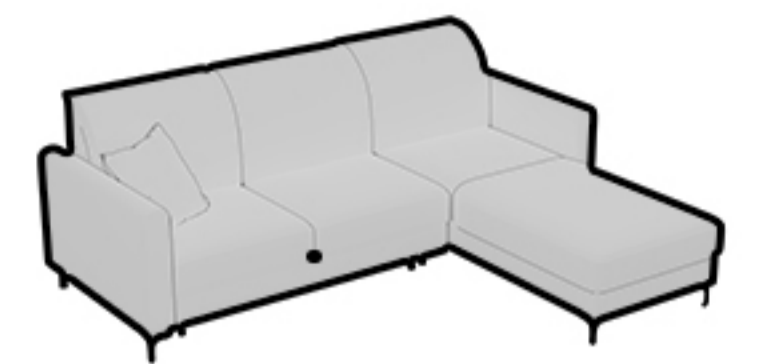
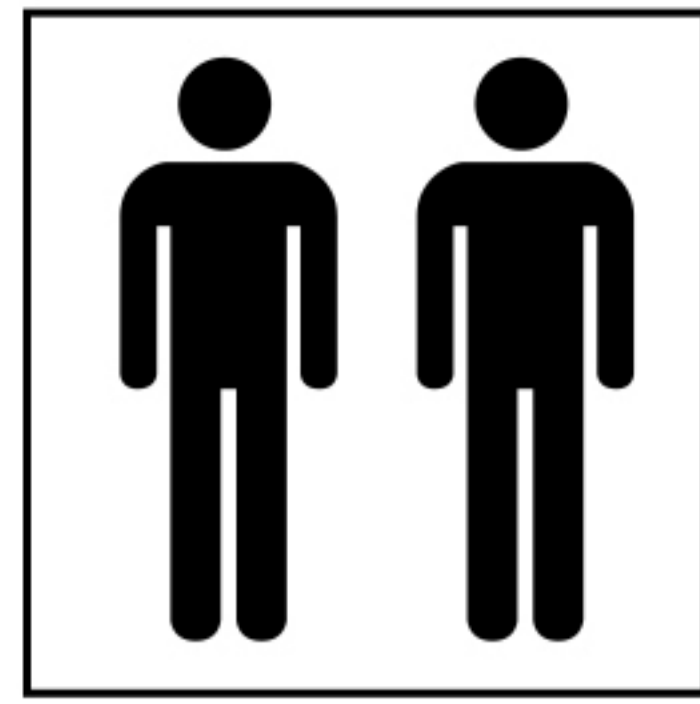
G		x3
H		x3



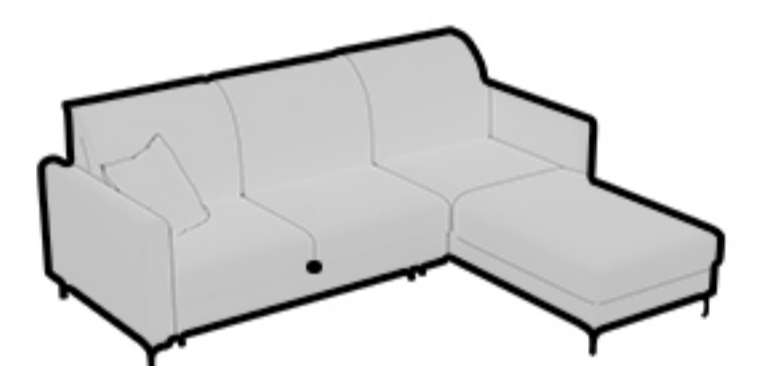
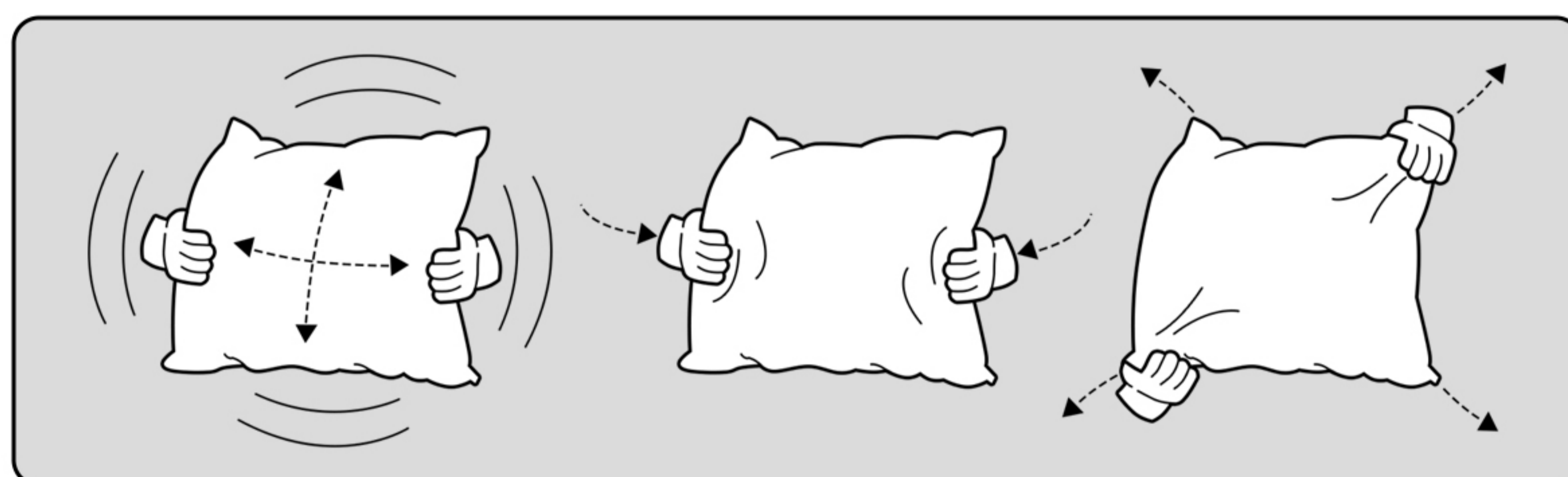
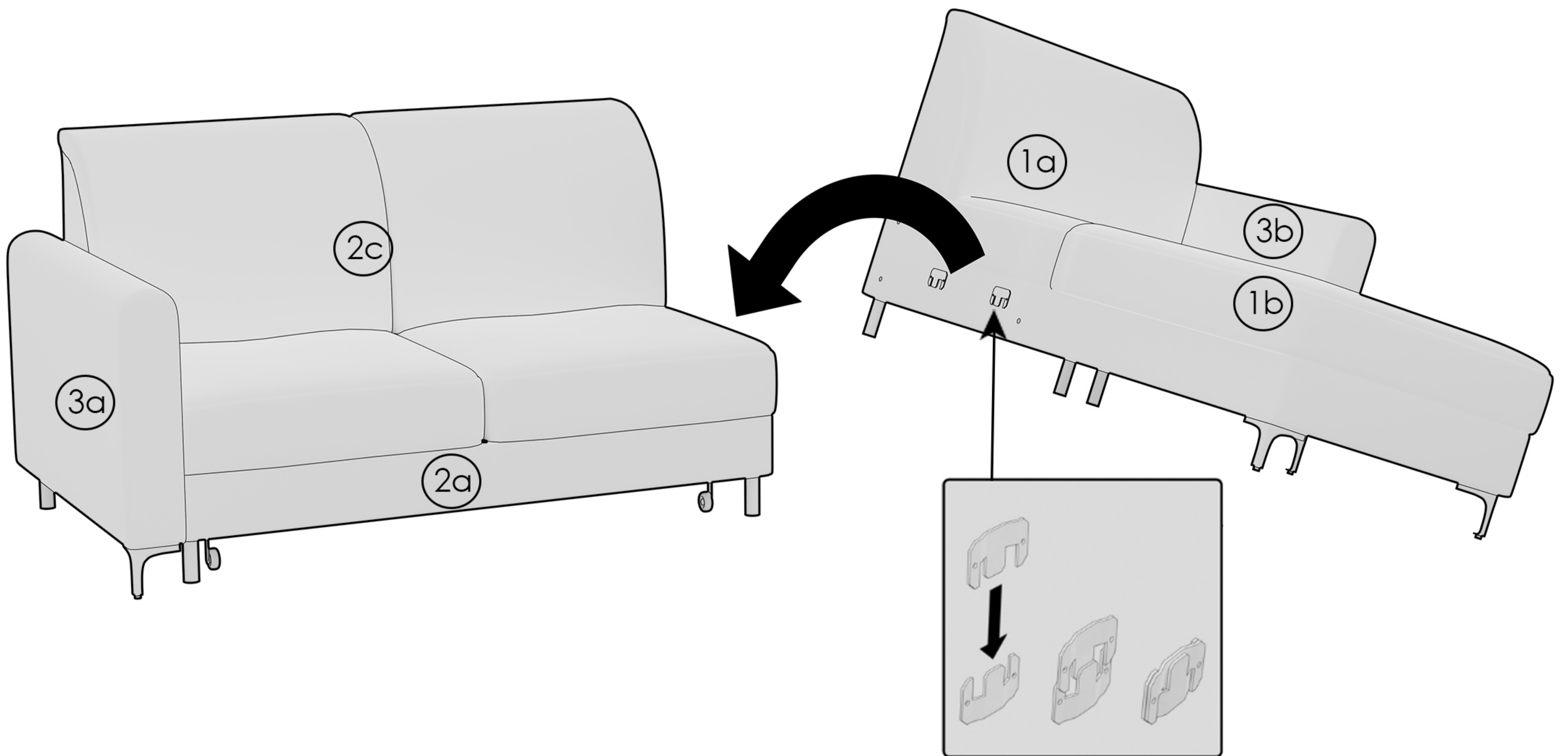
Rhf







Rhf



Rhf

