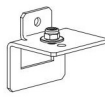
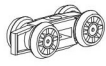


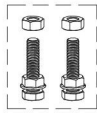
x1



x5



x2



x1



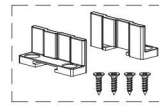
x2



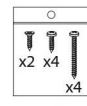
x2



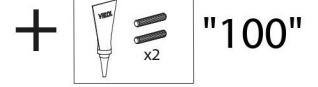
x3



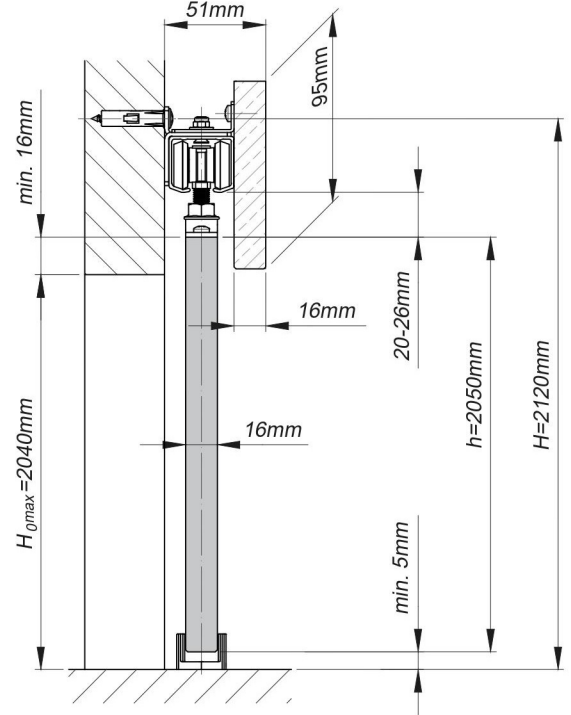
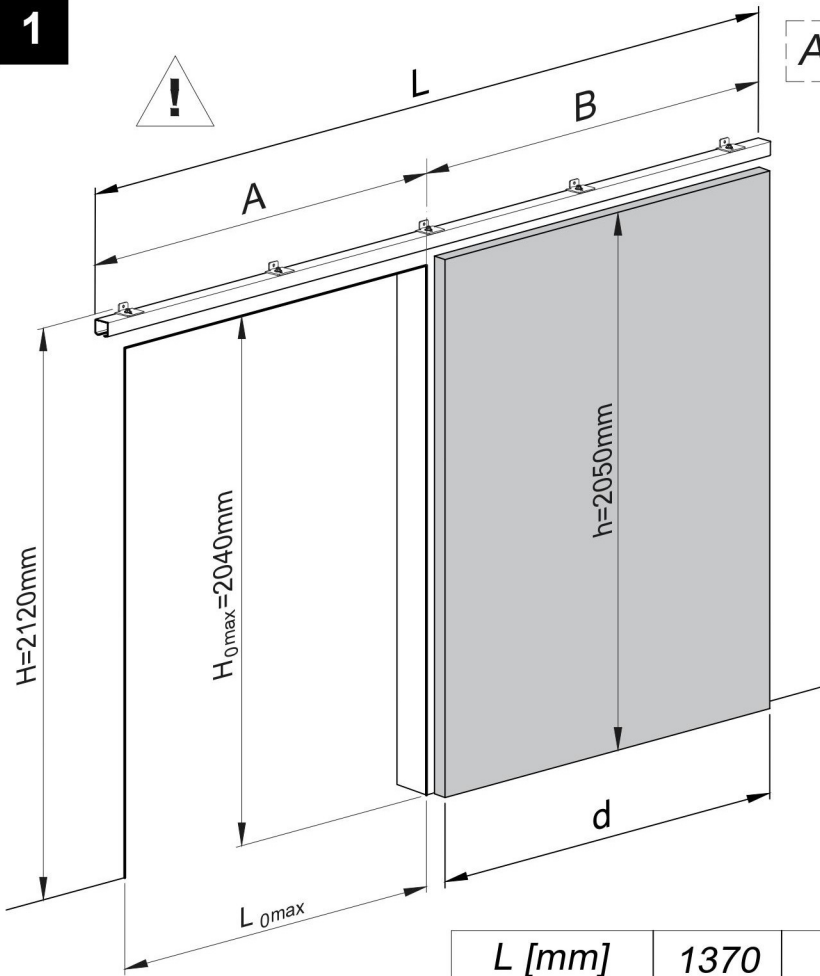
x1



x1

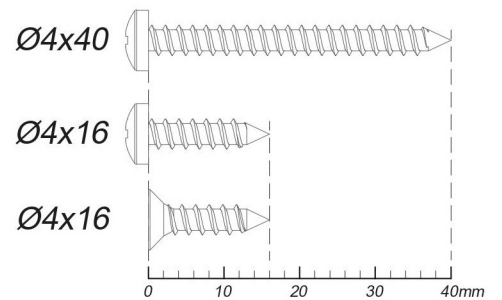
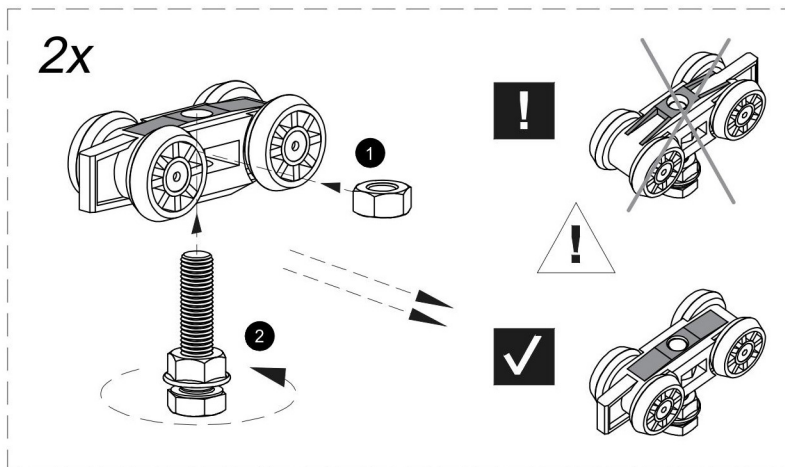


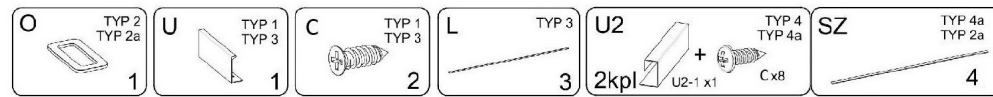
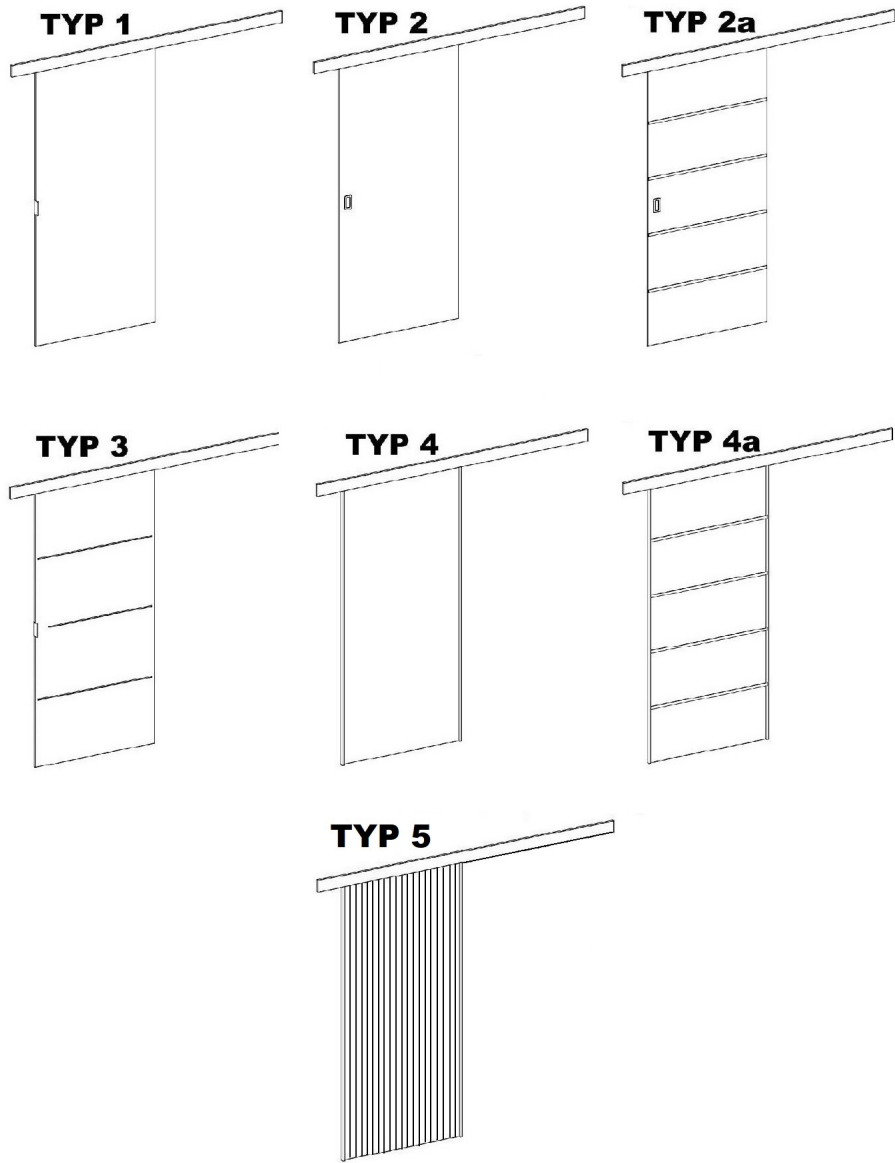
1



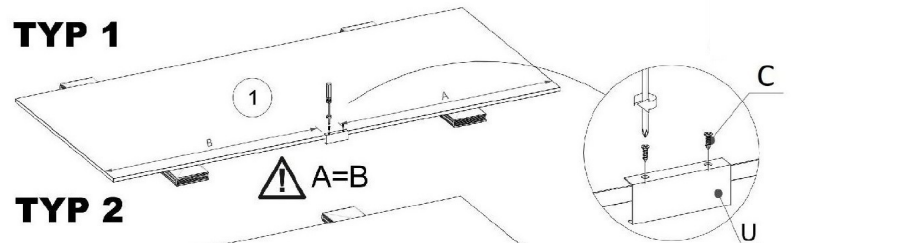
L [mm]	1370	2000			
d [mm]	660 "60"	760 "70"	860 "80"	960 "90"	1060 "100"
L _{0max} [mm]	600	700	800	900	1000

2

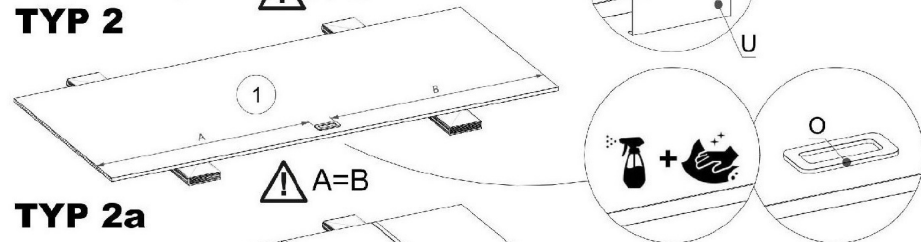




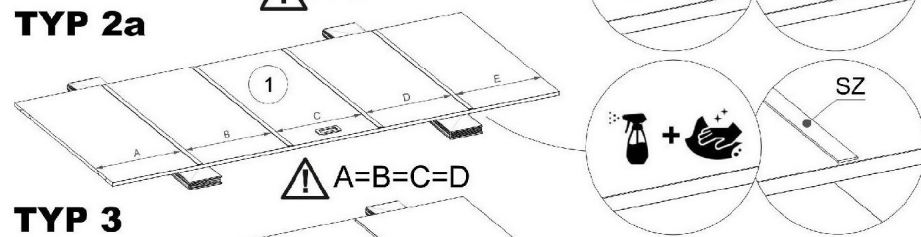
TYP 1



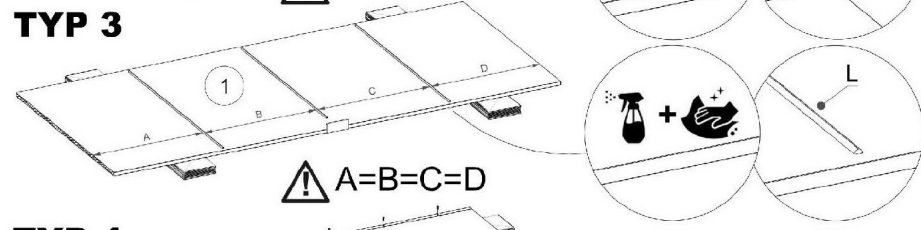
TYP 2



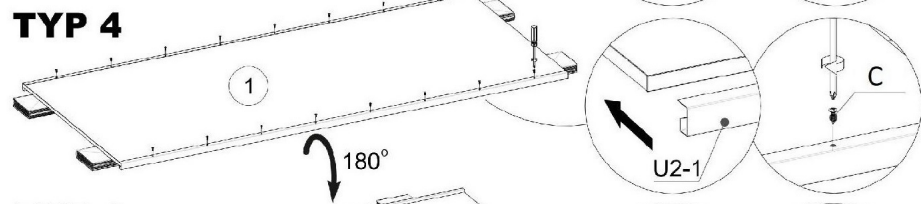
TYP 2a



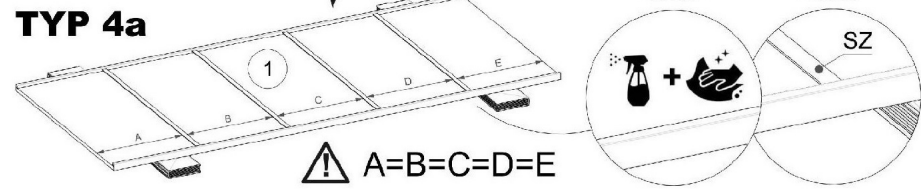
TYP 3



TYP 4



TYP 4a

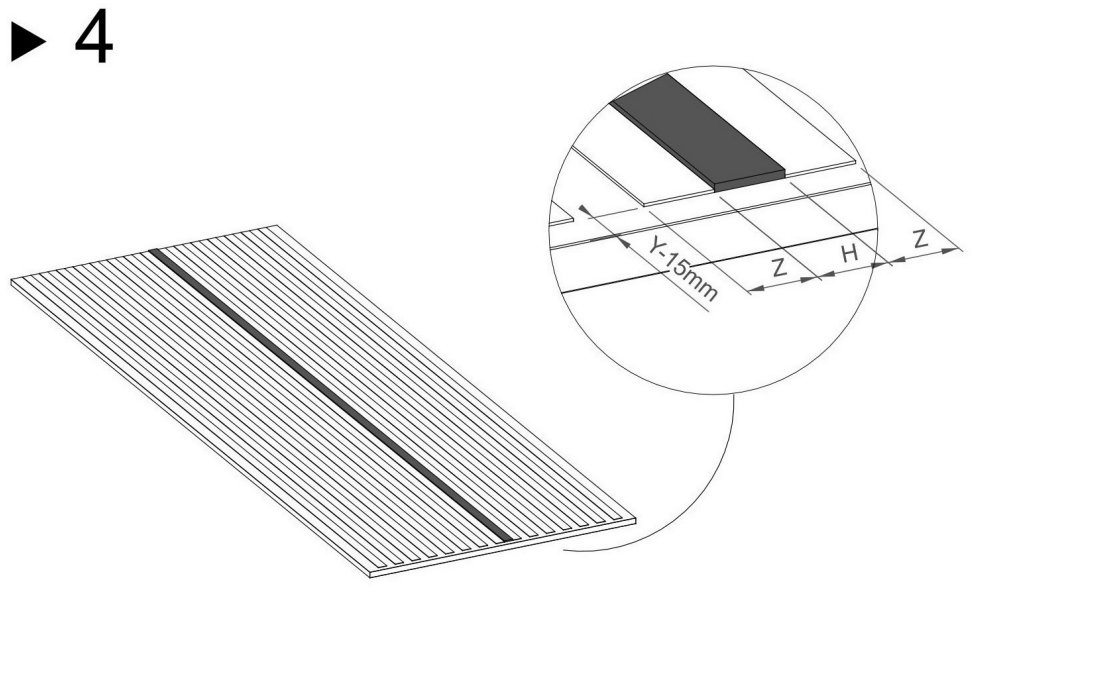
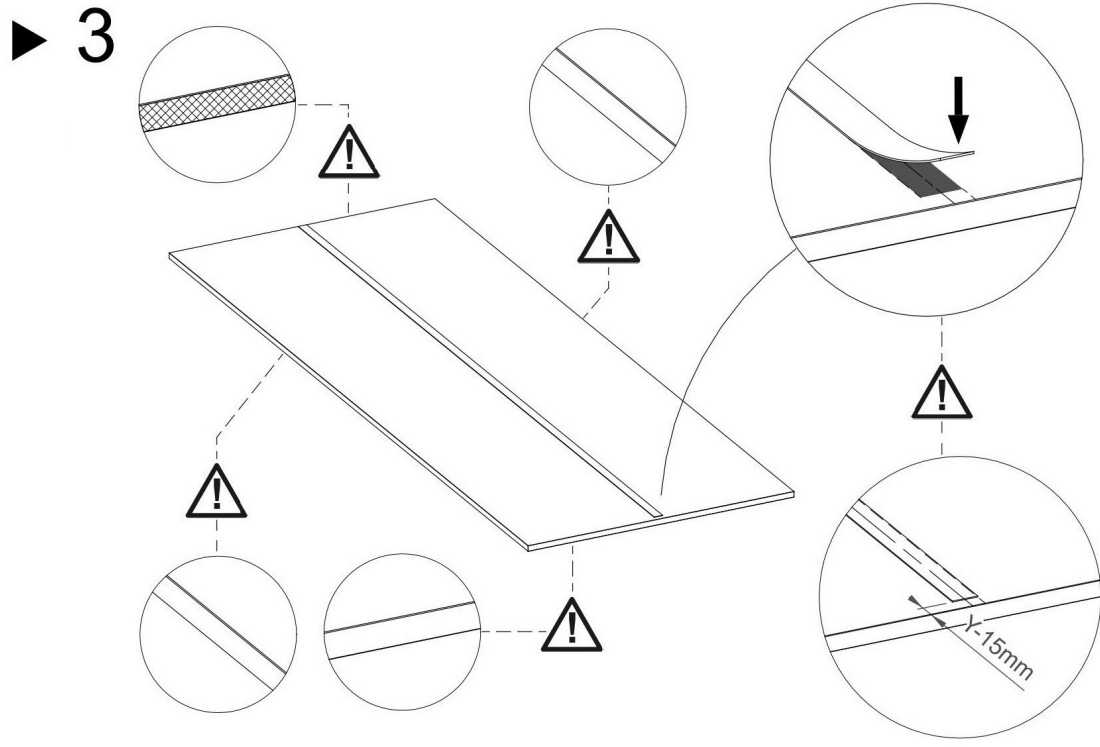
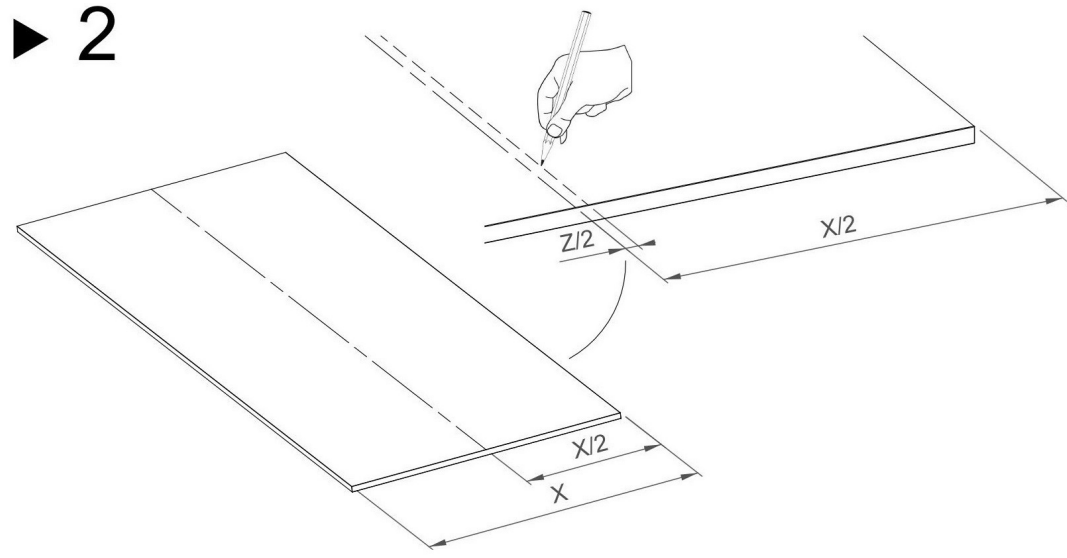
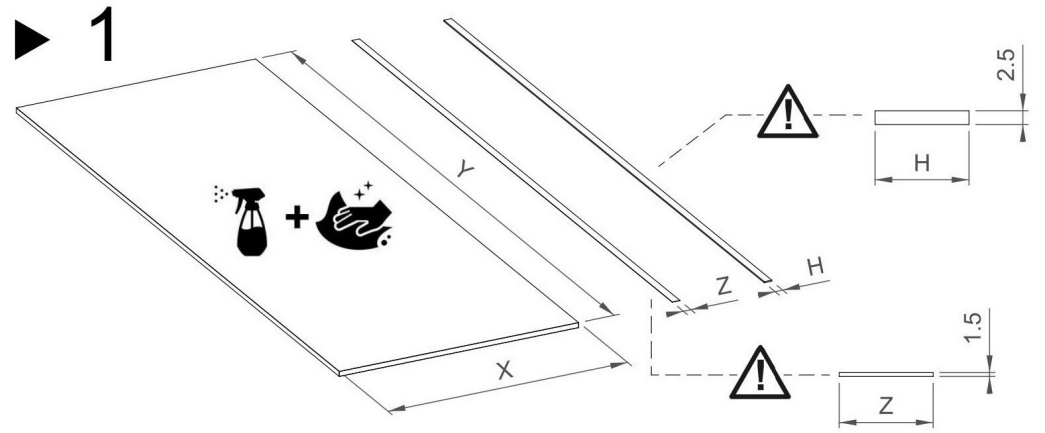
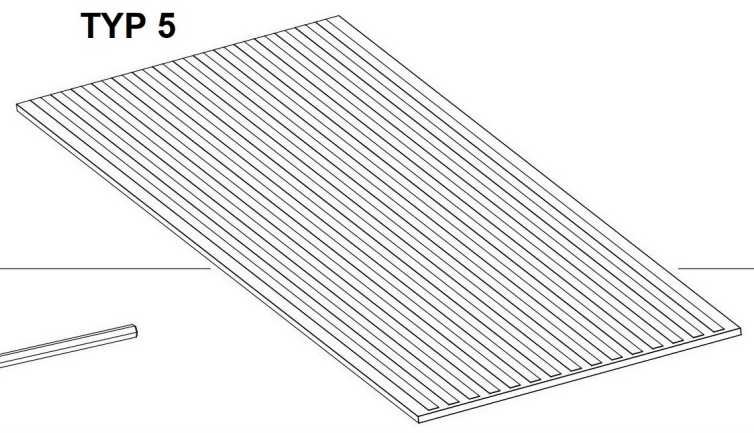
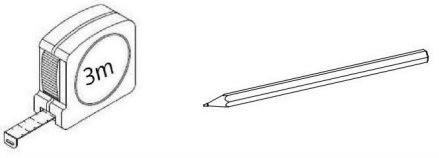


3b

TYP 5



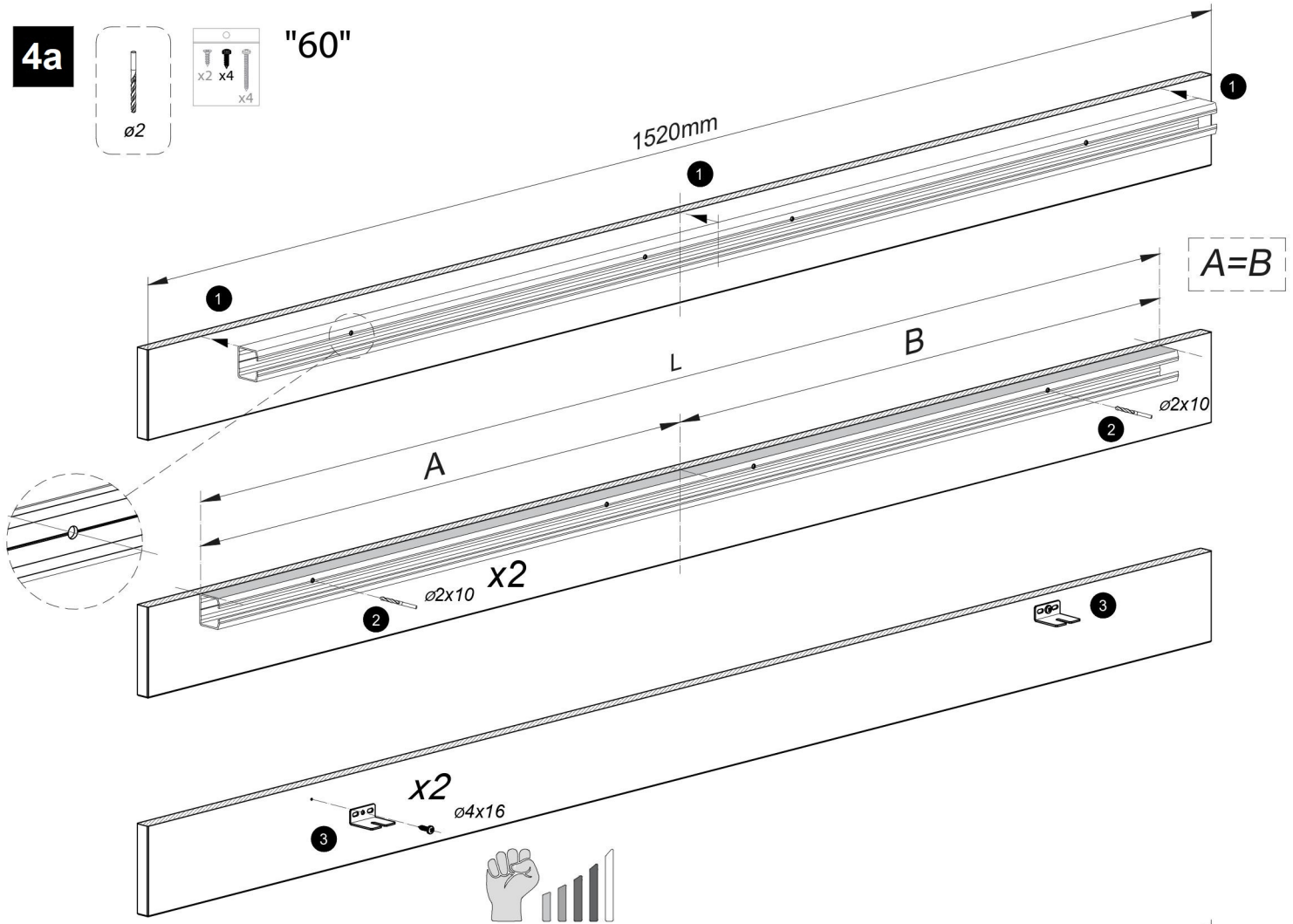
~25 min



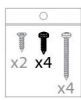
4a



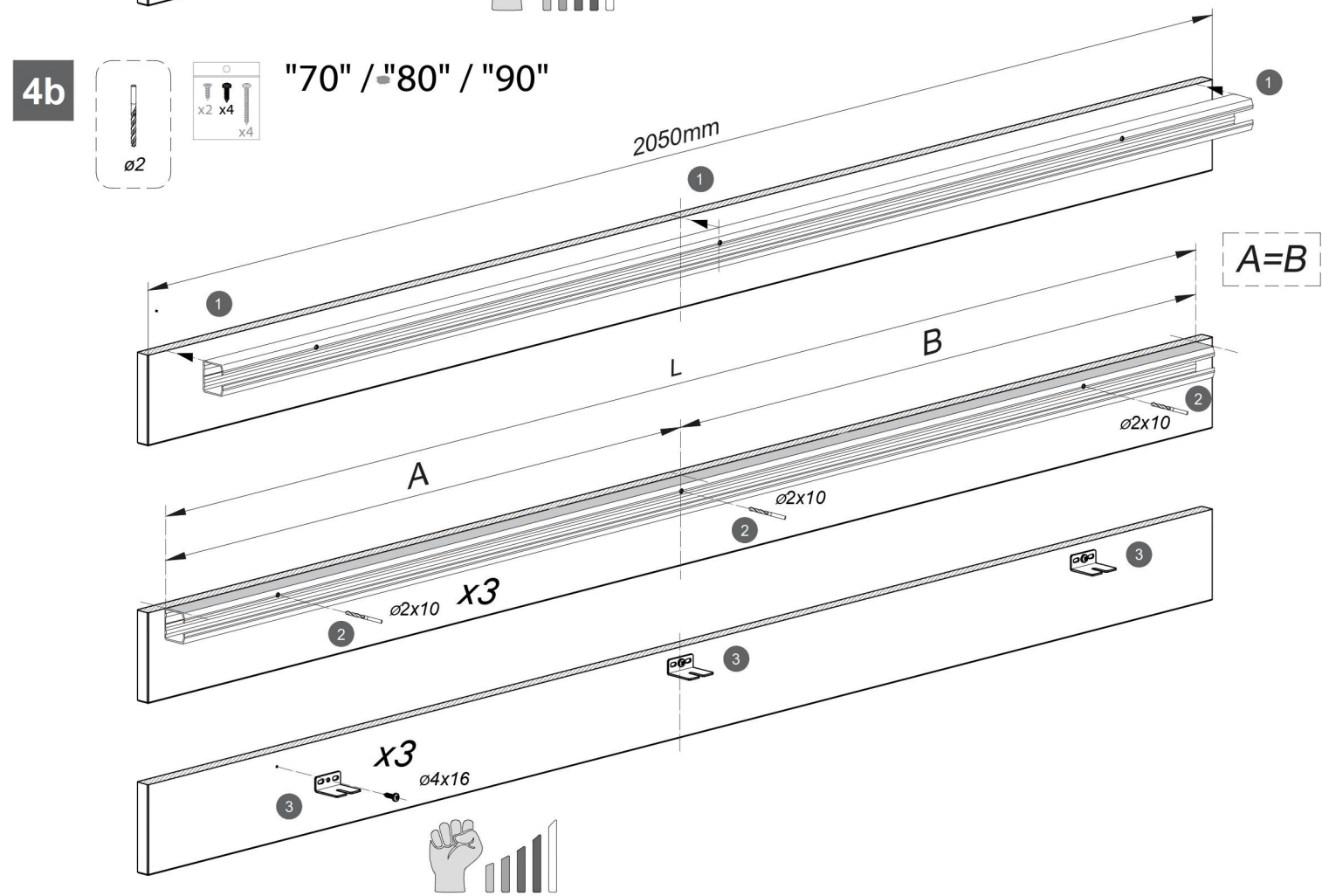
"60"



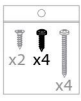
4b



"70" / "80" / "90"



4c



"100"



1100mm

1100mm

2200mm

A=B

A

B

ø2x10

ø2x10 x2

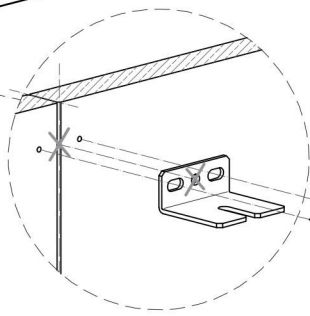
ø2x2

ø4x16

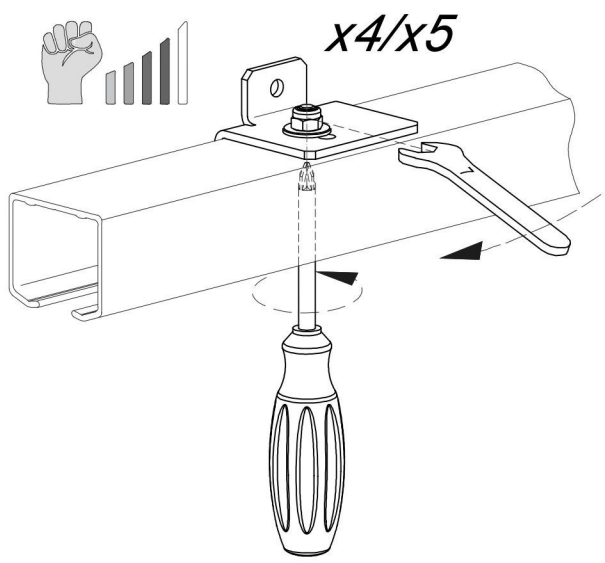
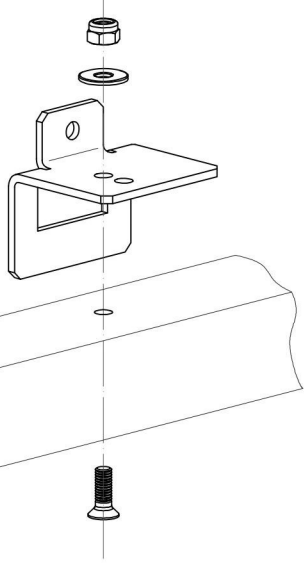
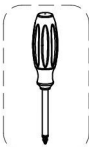


ø2x10

ø4x16

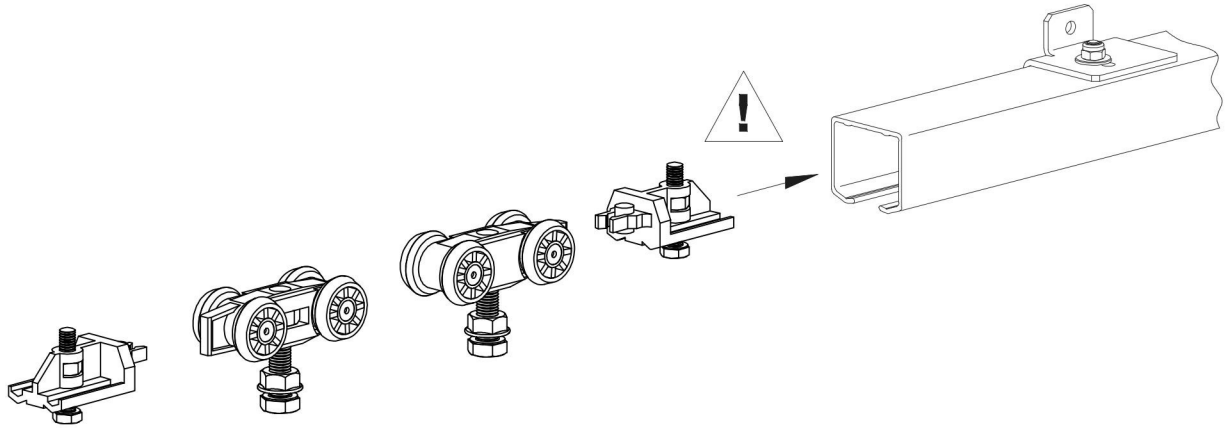


5



x4/x5

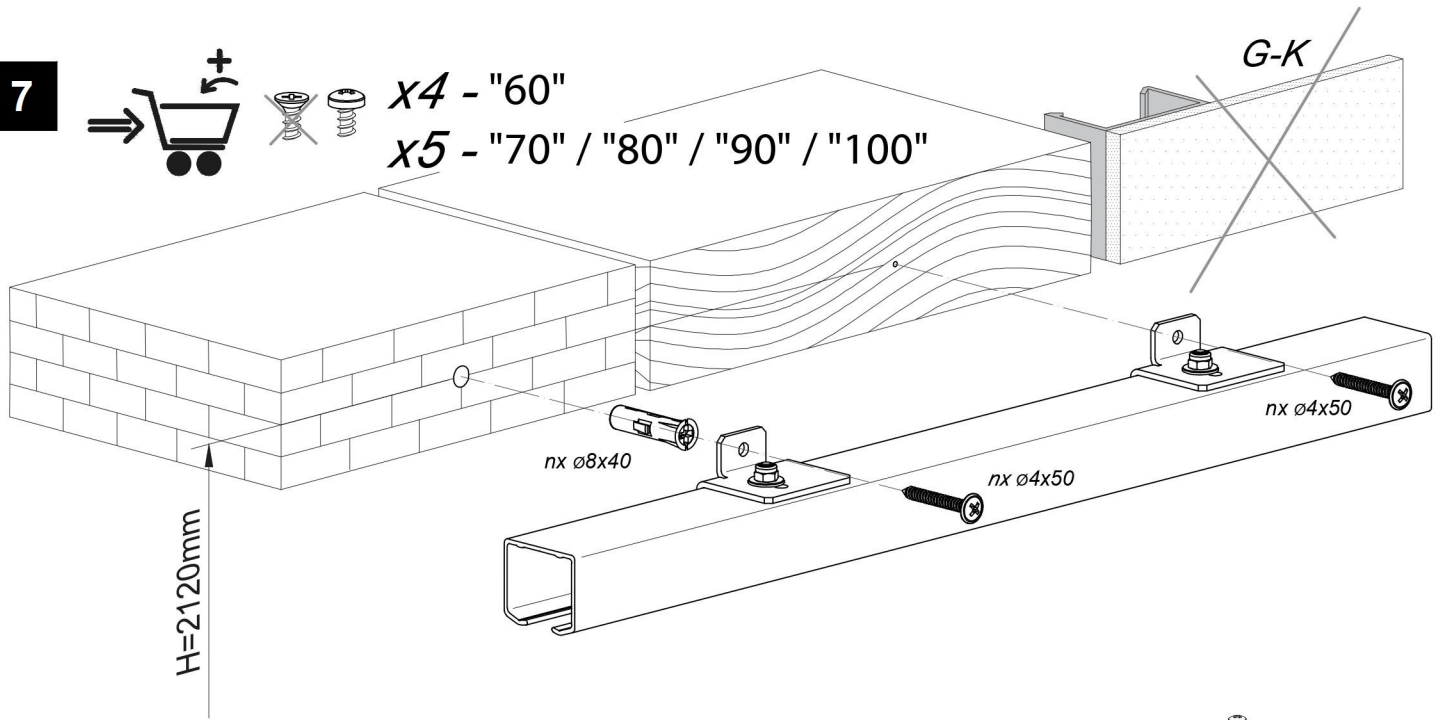
6



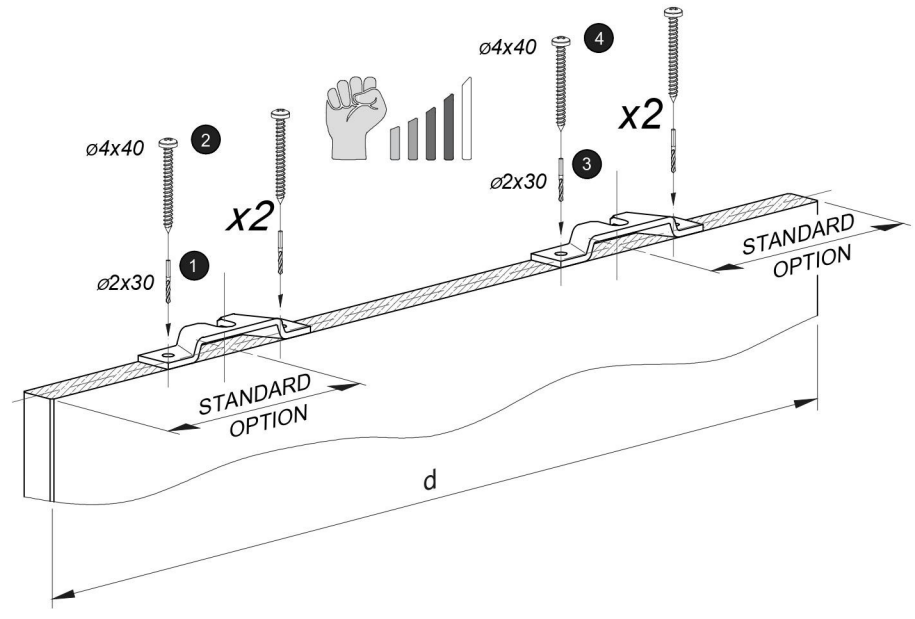
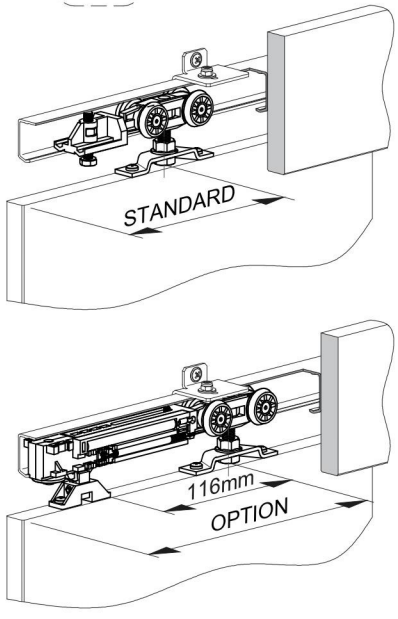
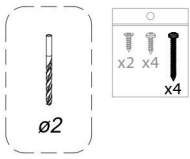
7



x4 - "60"
x5 - "70" / "80" / "90" / "100"



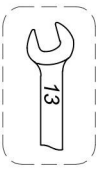
8



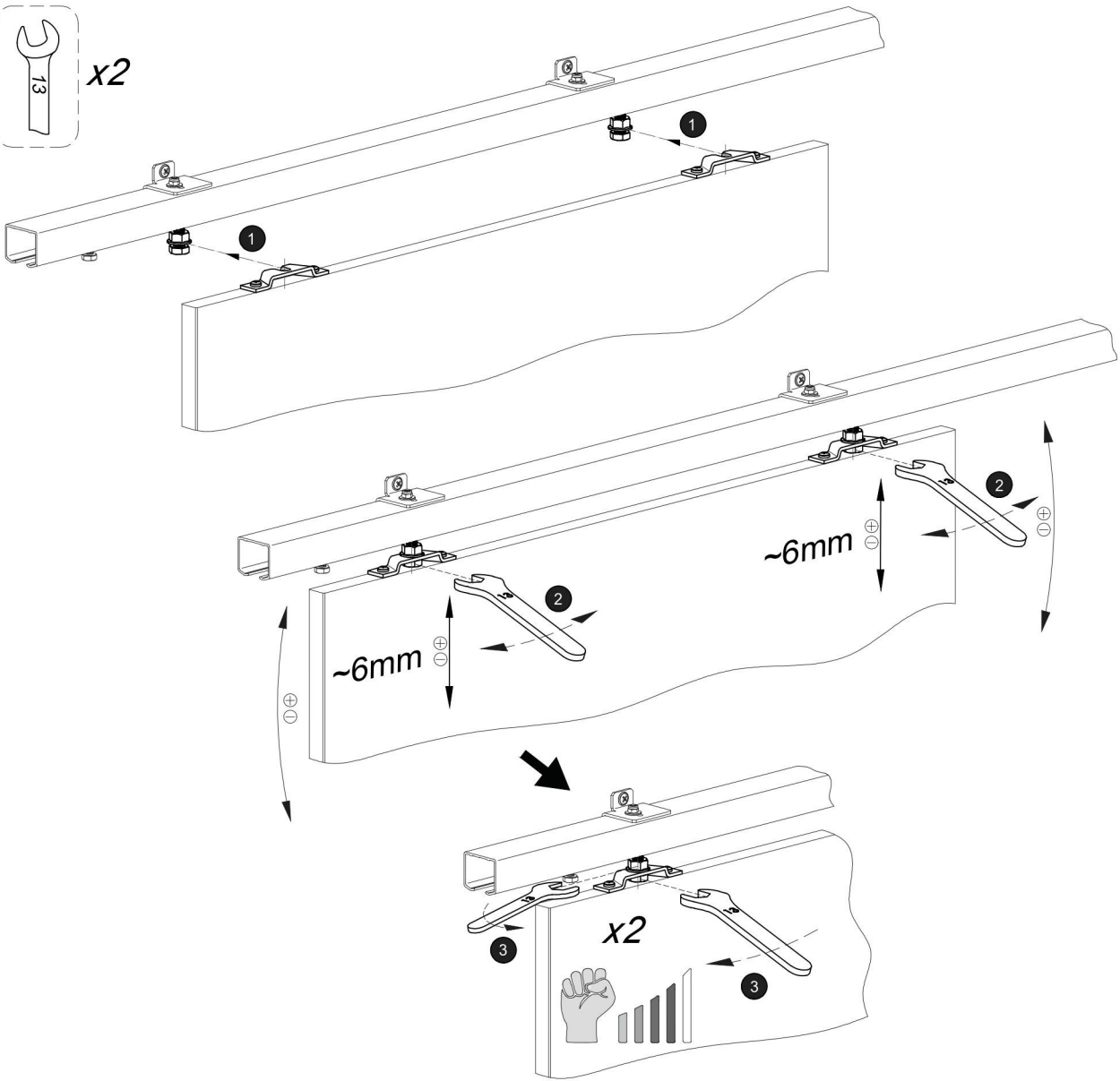
⚠

<i>d</i> [mm]	660 "60"	760 "70"	860 "80"	960 "90"	1060 "100"
<i>STANDARD</i> [mm]		100			160
<i>OPTION</i> [mm]		180			210

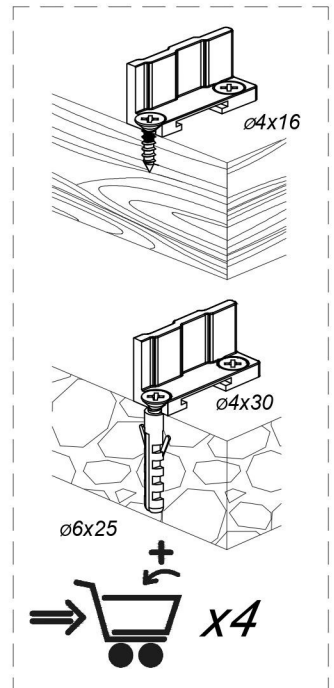
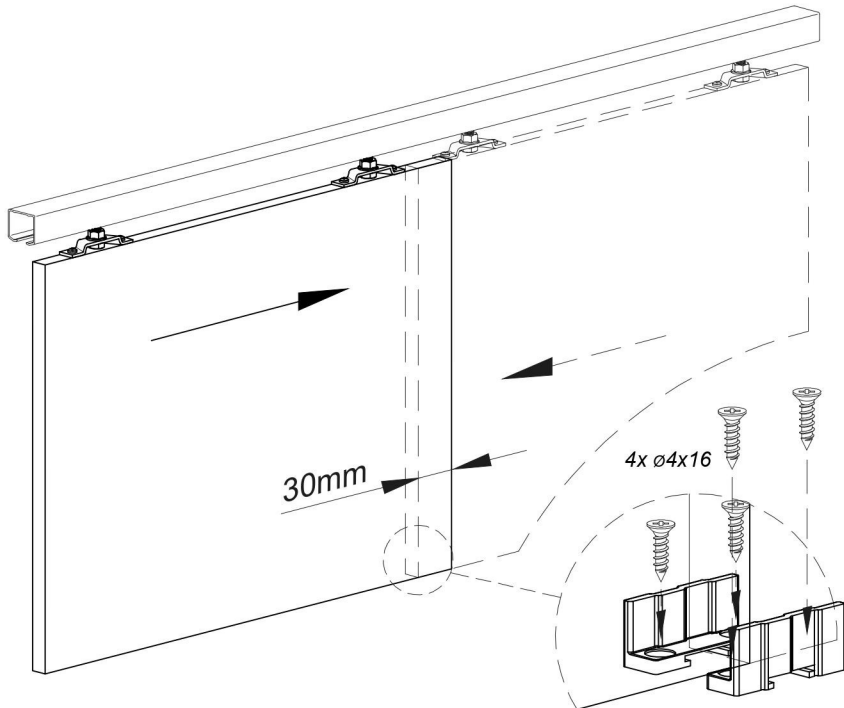
9



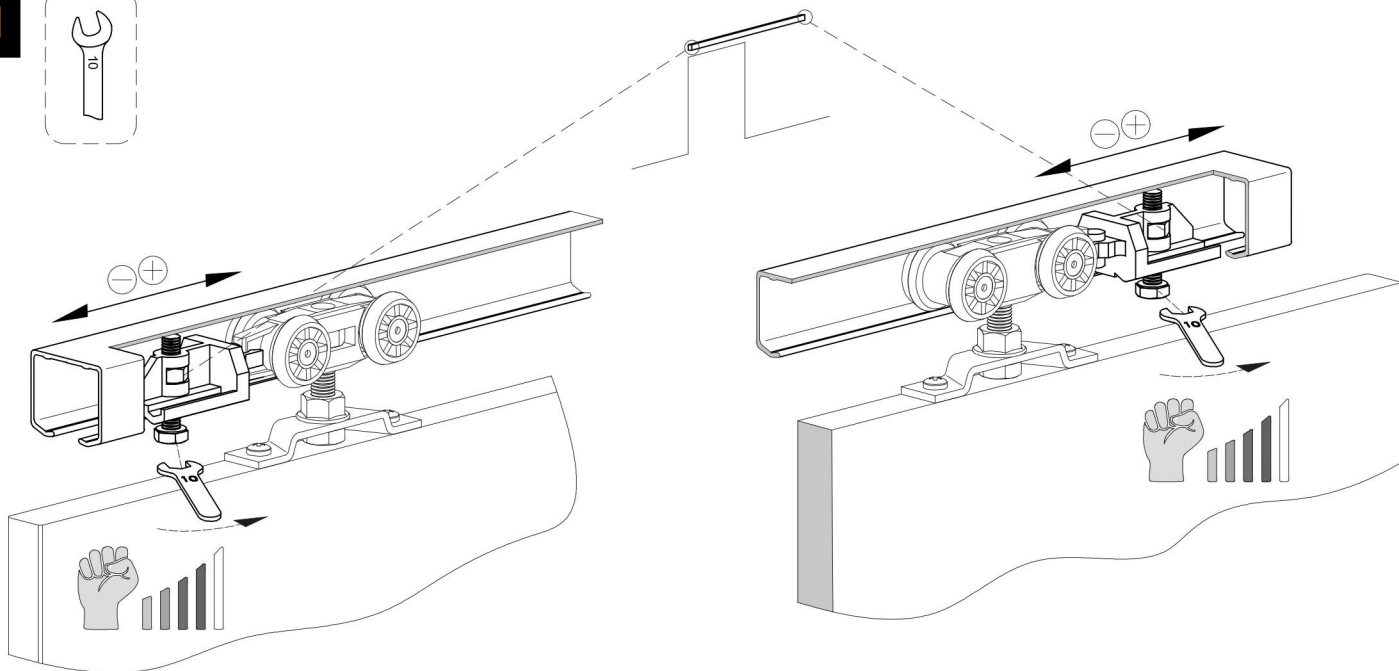
x2



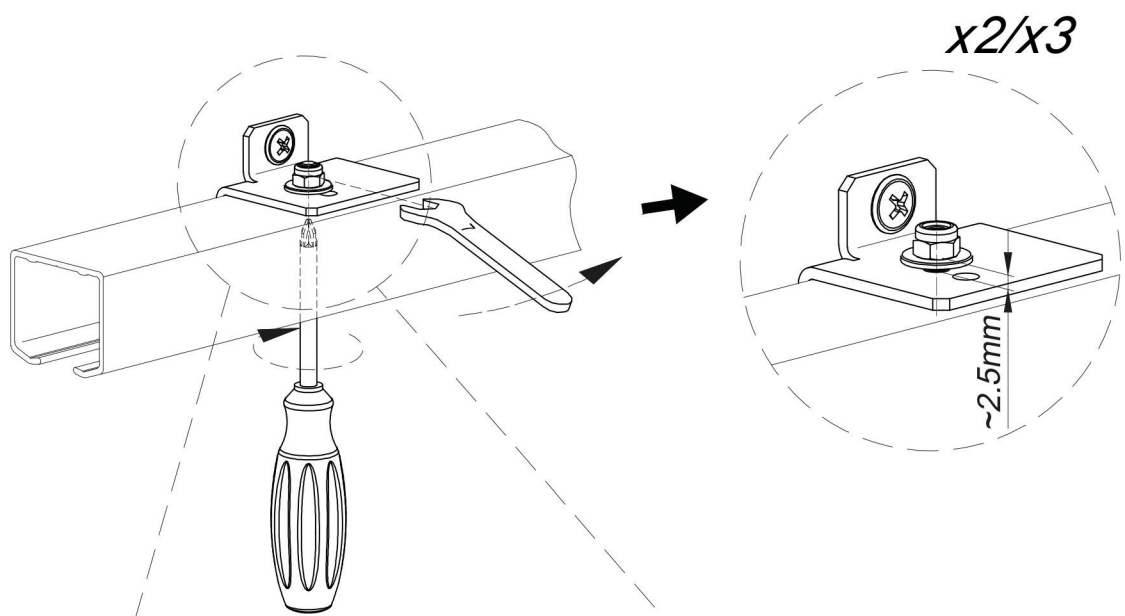
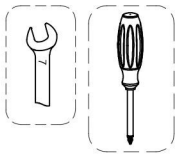
10



11

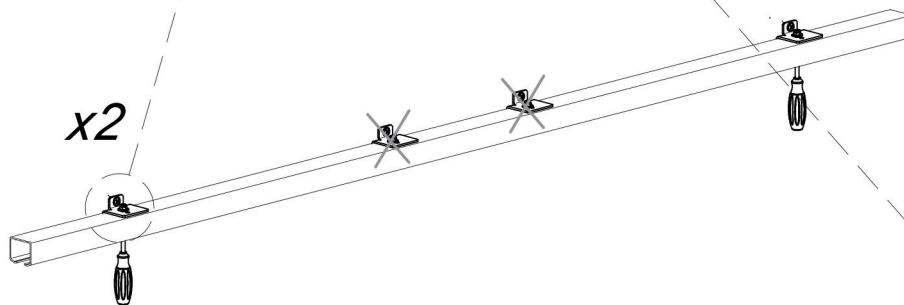


12



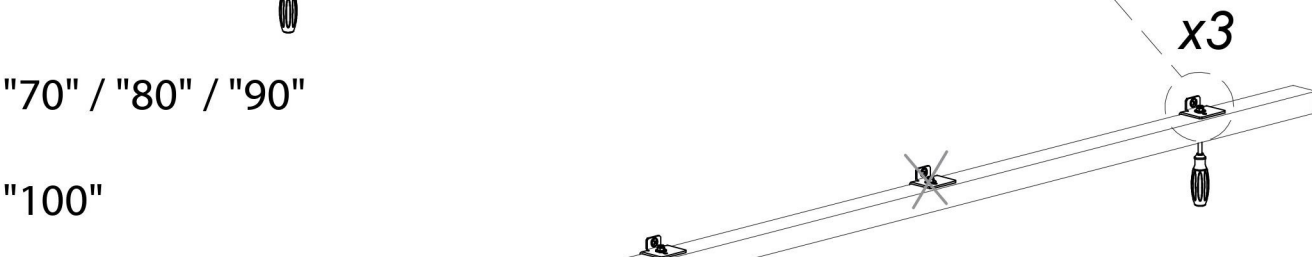
12a

"60"



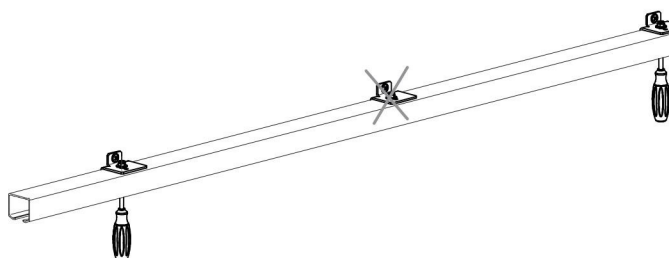
12b

"70" / "80" / "90"

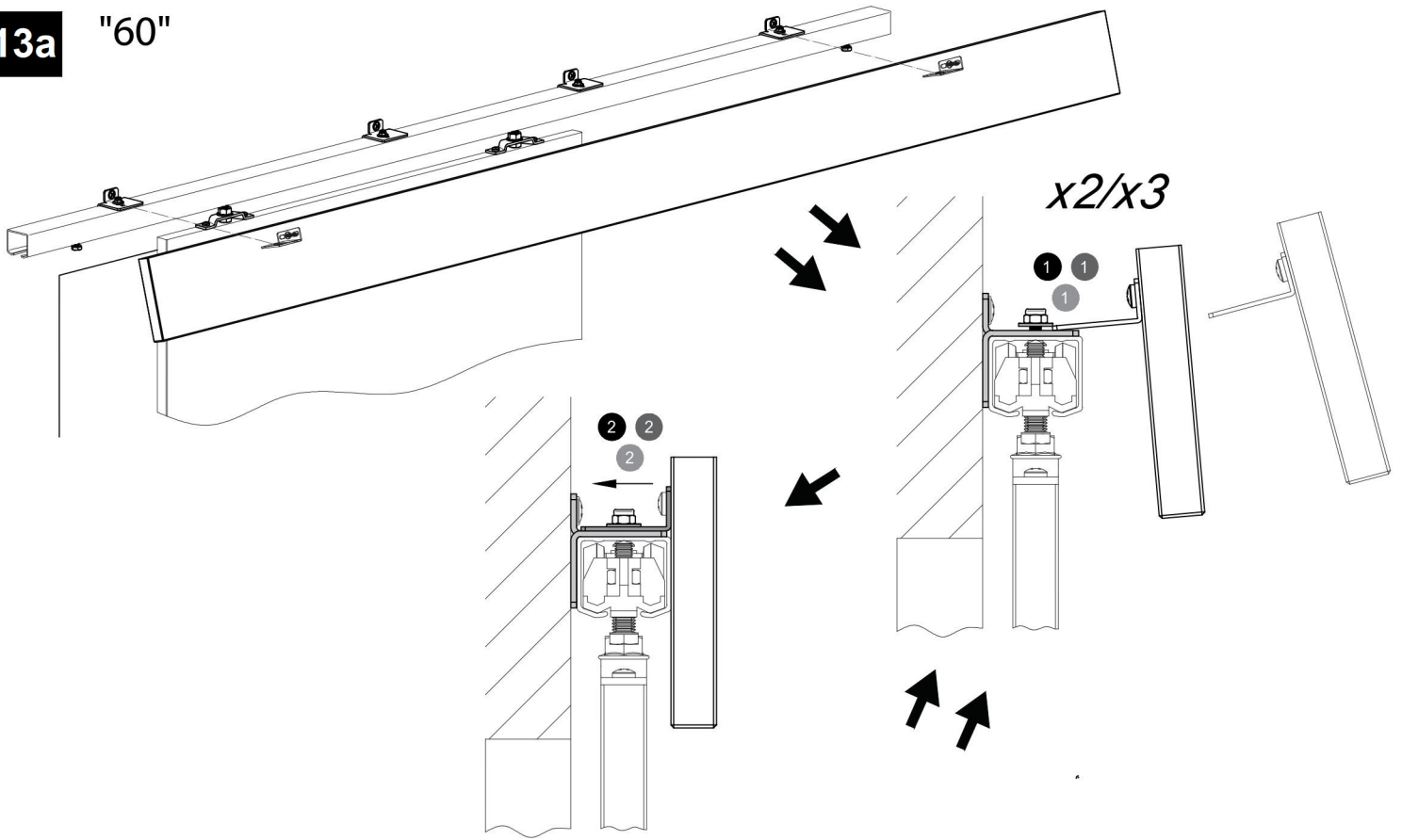


12c

"100"

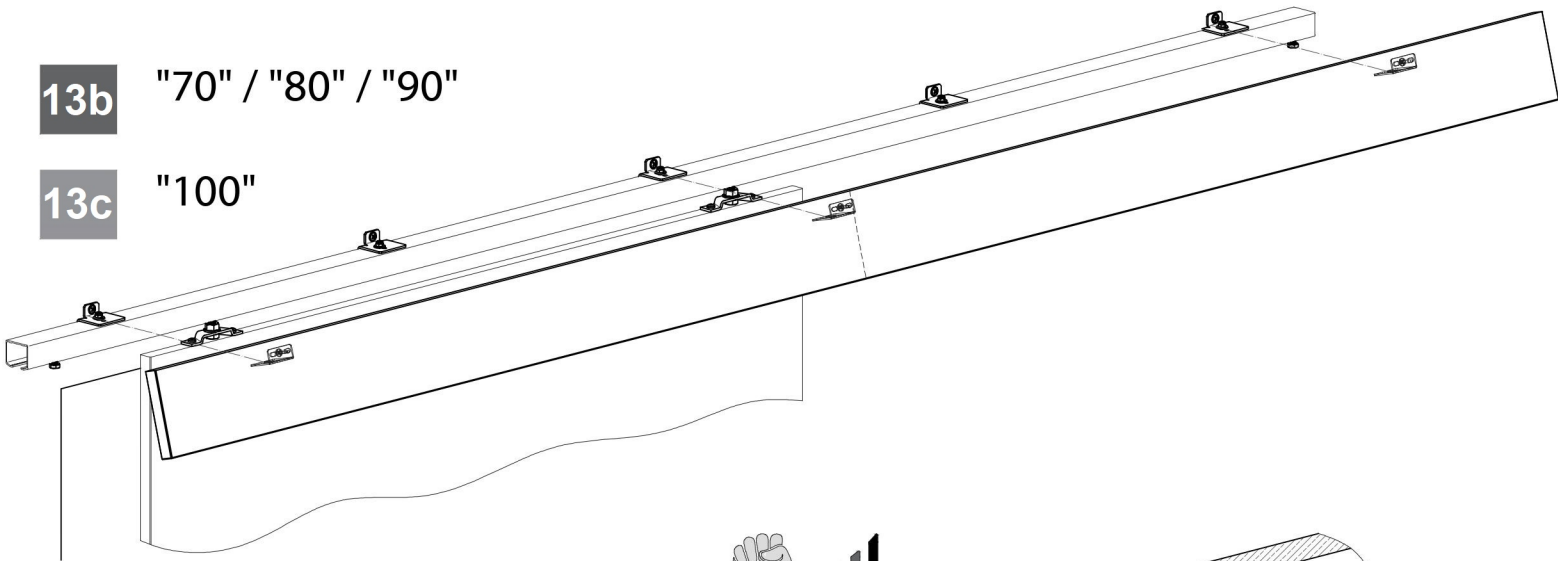


13a "60"

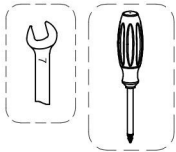


13b "70" / "80" / "90"

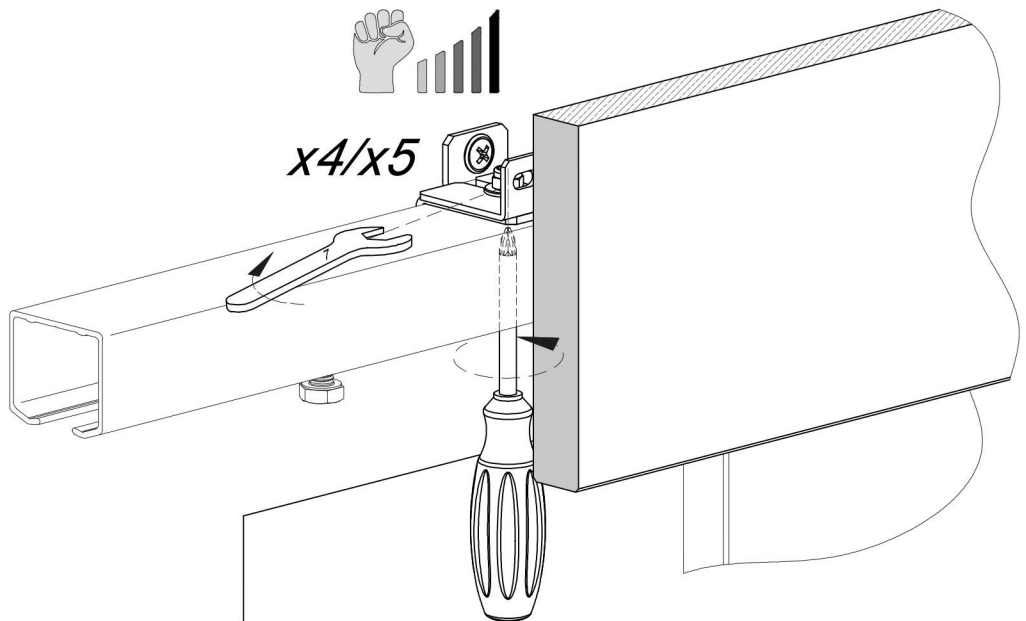
13c "100"

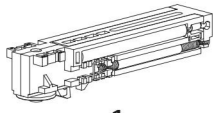


14



x4/x5





x1



x1



x2



x1

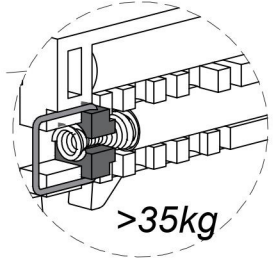
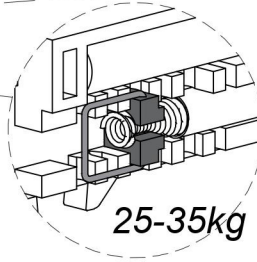
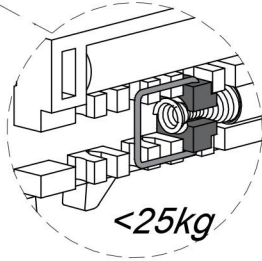
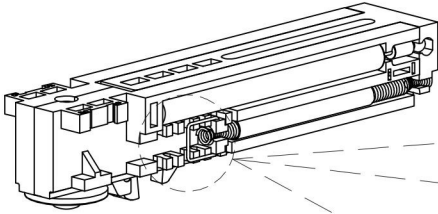


x1



x1

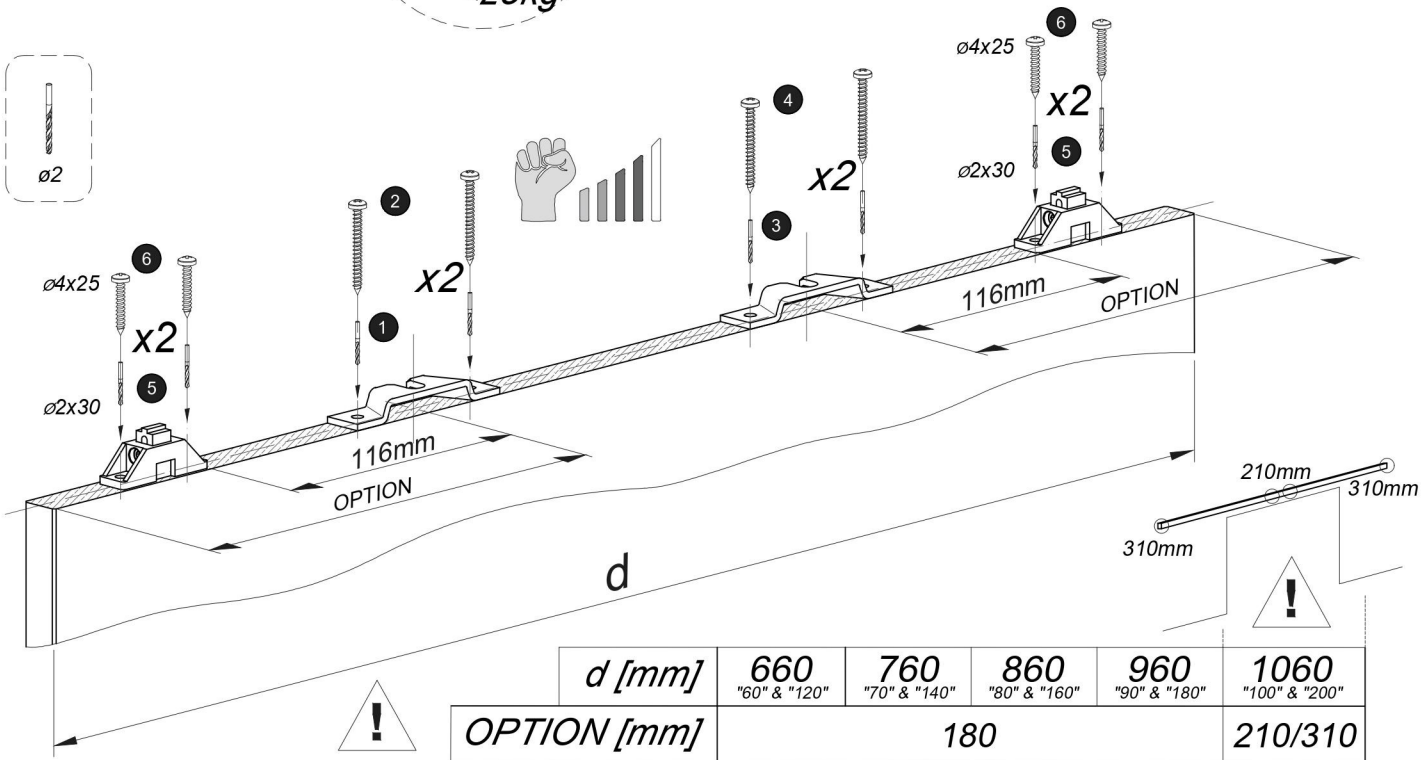
1



2



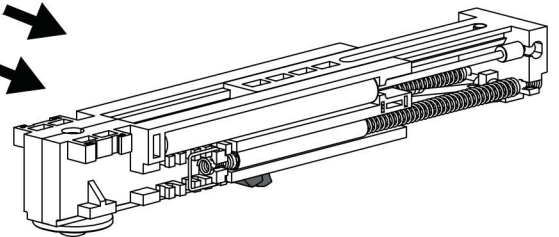
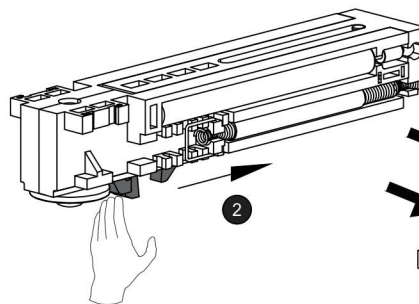
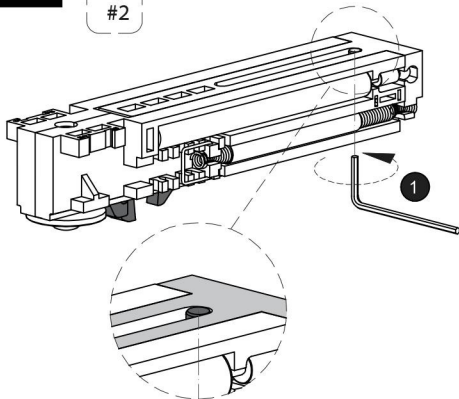
ø2



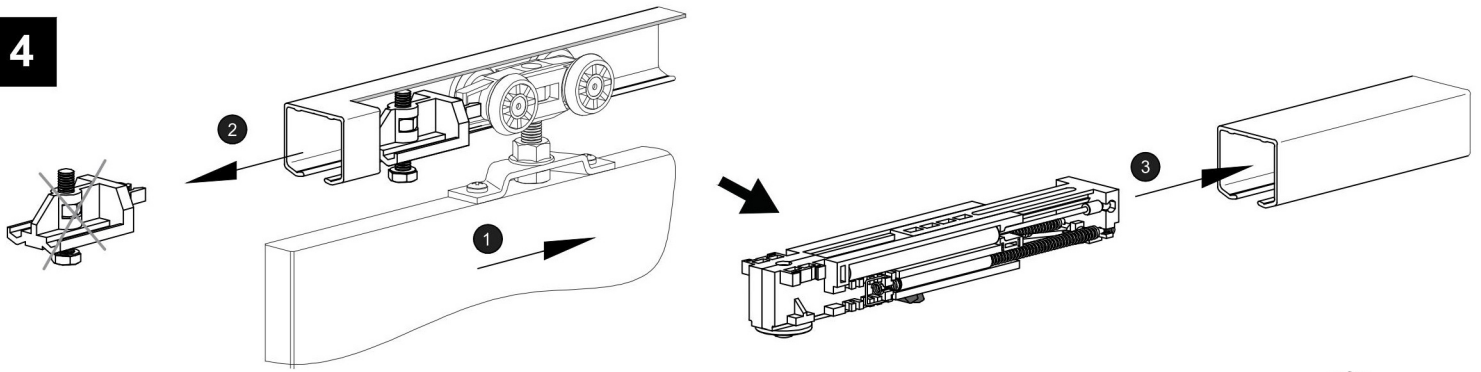
3



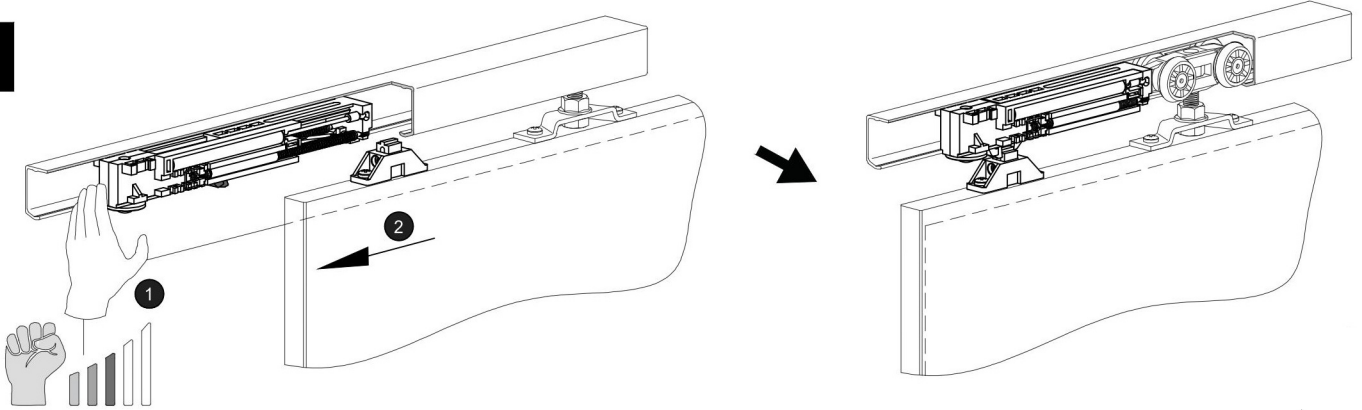
#2



4

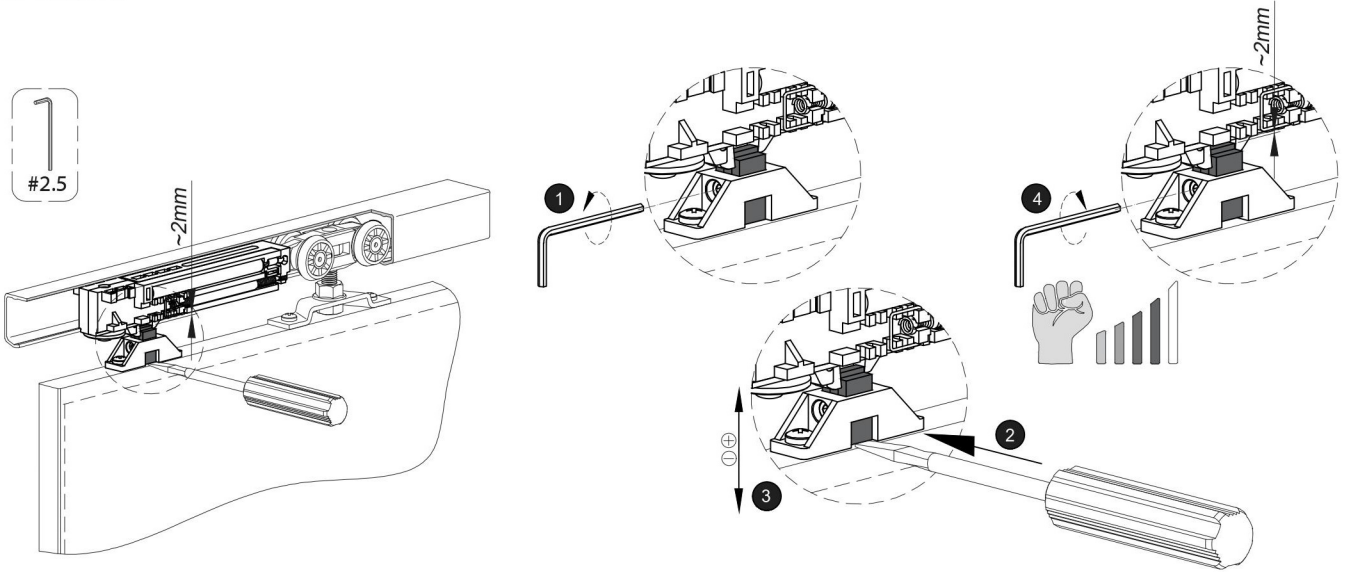


5



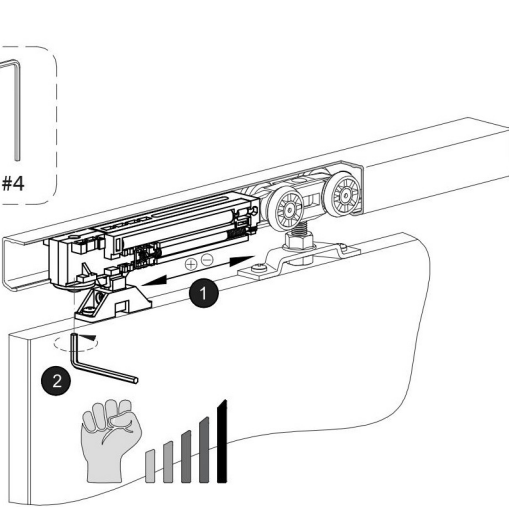
7

#2.5



8

#4



9

#2

