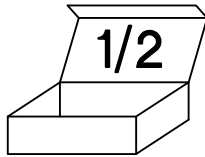
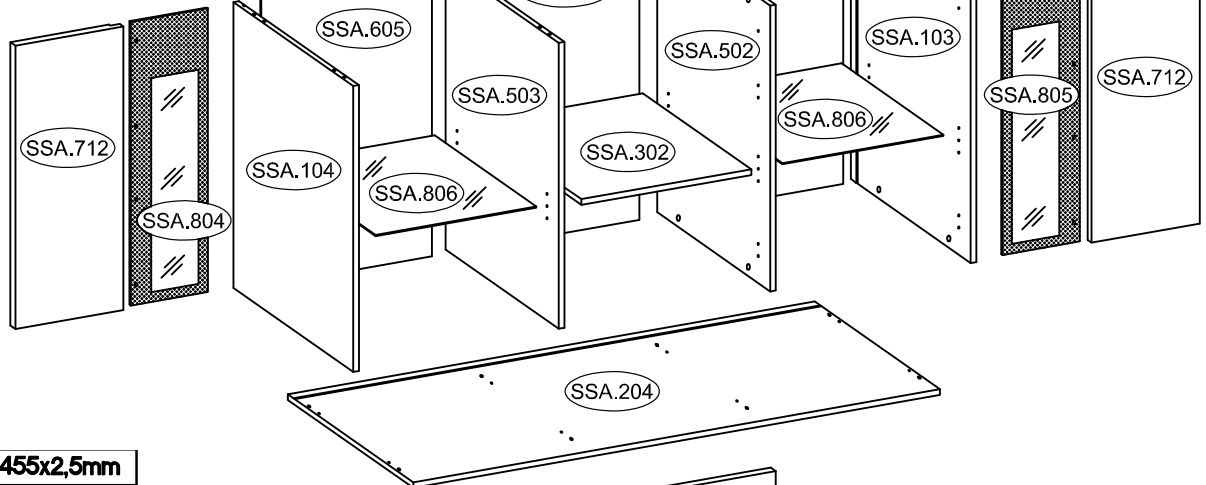


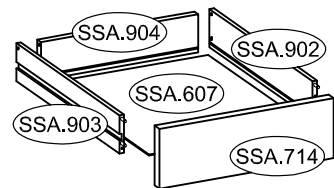
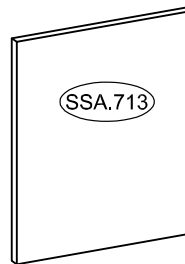
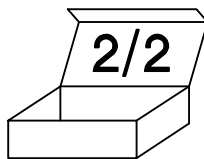
SSA.103 x1	750x384x15mm
SSA.104 x1	750x384x15mm
SSA.204 x2	1404x402x15mm
SSA.302 x1	453x347x15mm
SSA.502 x1	750x362x15mm
SSA.503 x1	750x362x15mm
SSA.607 x1	326x429x15mm
WST.0001 x1	330x100x12mm
WST.0002 x1	330x100x12mm
WST.0012 x1	419x100x12mm



- SSA.204 = max. 25kg
- SSA.302 = max. 5kg
- SSA.806 = max. 2kg

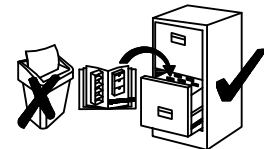


SSA.605 x2	759x455x2,5mm
SSA.606 x1	759x465x2,5mm
SSA.712 x1	288x744x16mm
SSA.712 x1	288x744x16mm
SSA.713 x1	464x584x16mm
SSA.714 x1	464x157x16mm
SSA.804 x1	744x206x4mm
SSA.805 x1	744x206x4mm
SSA.806 x2	443x347x5mm



1B : S 4 U 4

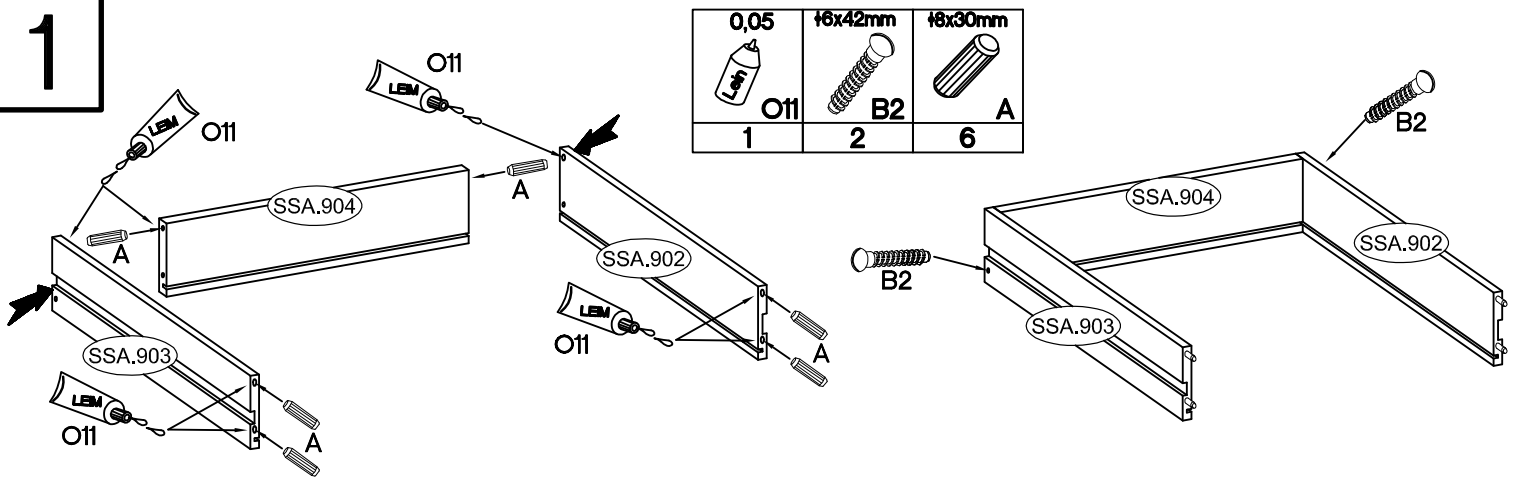
2B : H 6 G 4 P5 12 G1 2



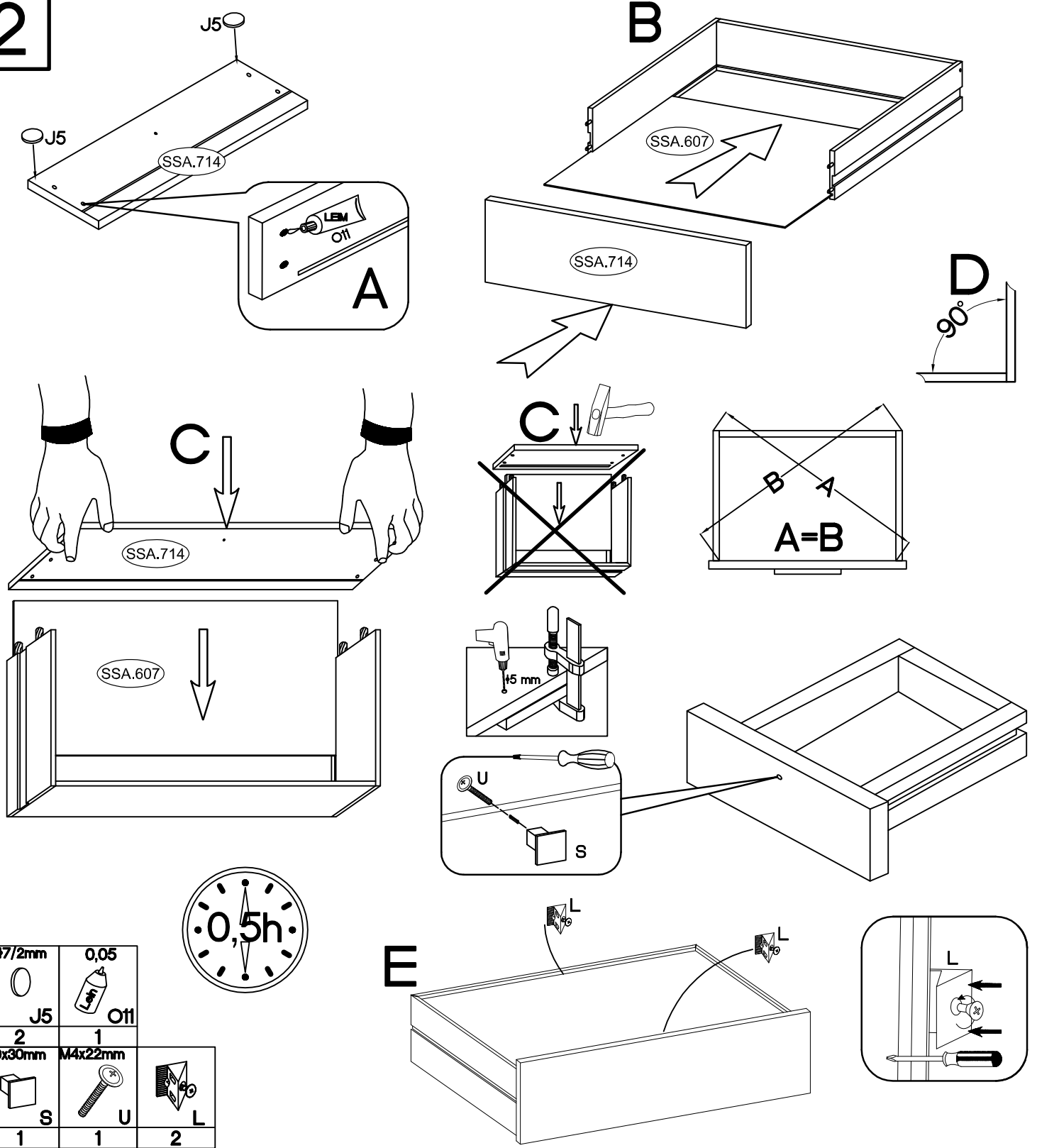
3B :

C 16	A 22	J7 8	R5 8	J3 4	J12 8	O7 2	L2 10	J15 8	J5 8	B2 2	D2 16
P14 6	F10 6	P5 2	L 12	E 12	M2 4	14 1	L9 2	U1 2	P7 10	O11 1	

1



2



3

SSA.712, J15, O11, G, P5, J15, SSA.804, J5, SSA.805, R5, J7, HG, HG1

H=0	±35/0mm	±3.5x13mm	±7/2mm
H	G	P5	J5
4	4	8	4
±7/4mm	±4.0x12mm	±6/11mm	0,05
J7	R5	J15	O11
8	8	8	1

1h

Warning: Do not use a heat gun.

4

A, B, G1, P5, SSA.713, J5, G1, J5, P5, G1, J5

±3.5x13mm	±35/9mm	±7/2mm
P5	G1	J5
4	2	2
		H=0
		H
		2

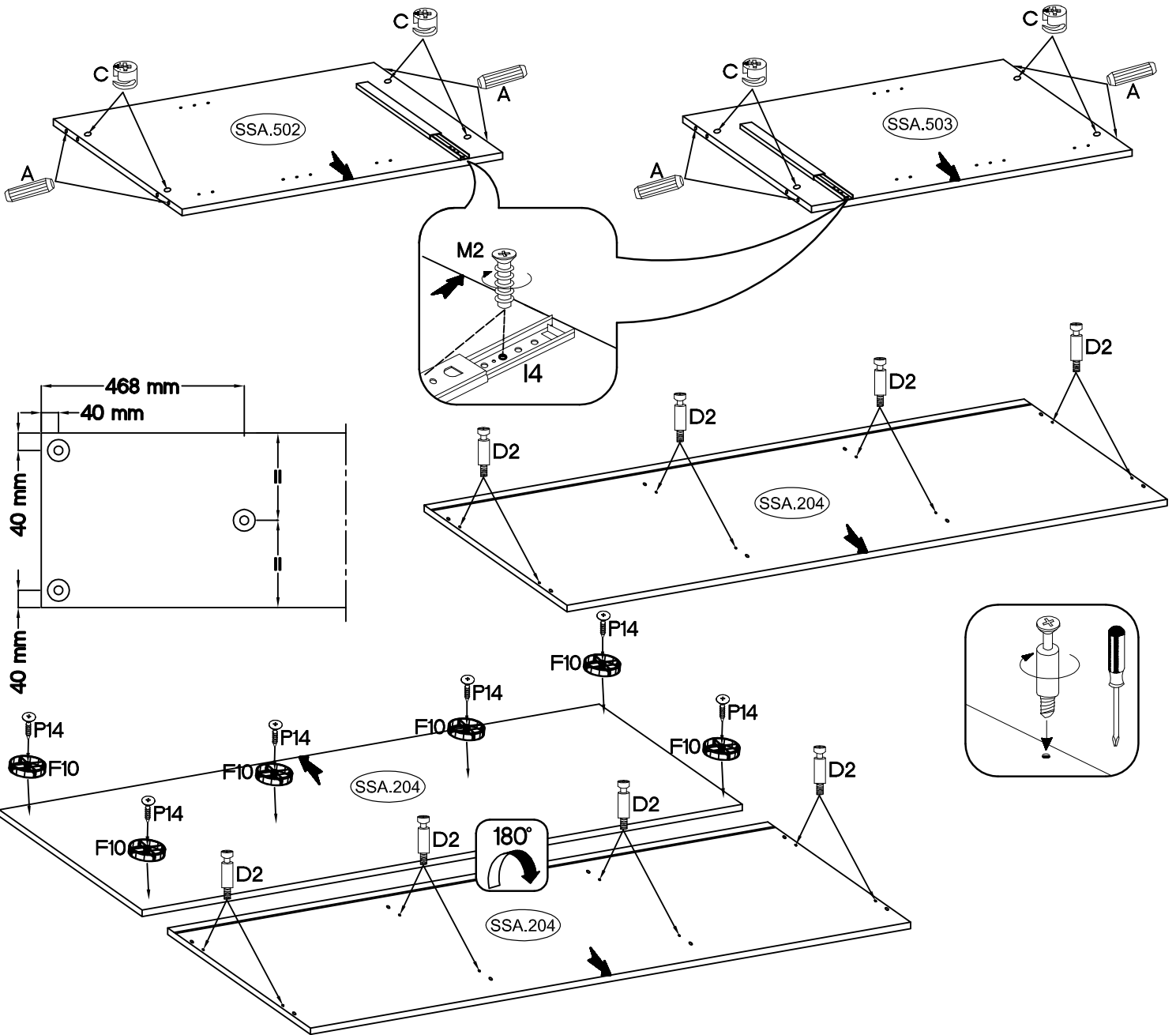
Warning: Do not use a heat gun.

5

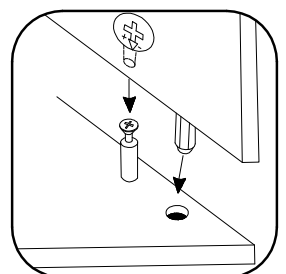
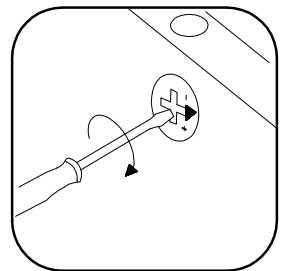
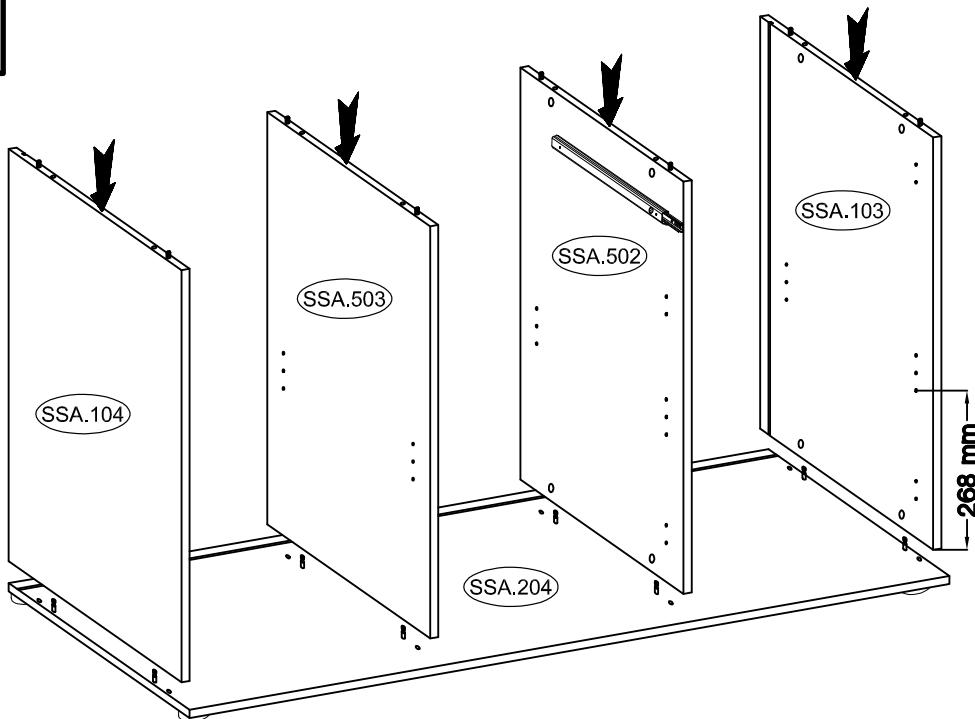
L=20mm, ±4.0x25mm, ±60/20mm, ±6.3x13mm, 27/90mm, ±15/12mm, ±6x30mm, D2, P14, F10, M2, I4, C, A, SSA.103, SSA.104, C, A

L=20mm	±4.0x25mm	±60/20mm	±6.3x13mm	27/90mm	±15/12mm	±6x30mm
D2	P14	F10	M2	I4	C	A
16	6	6	4	1	16	16

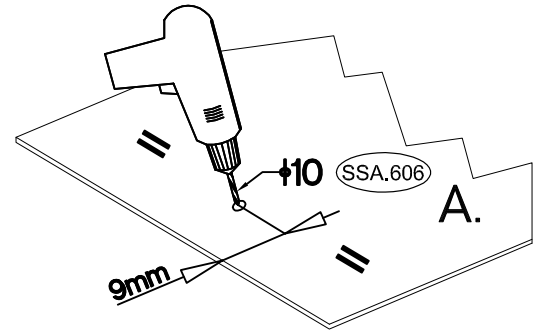
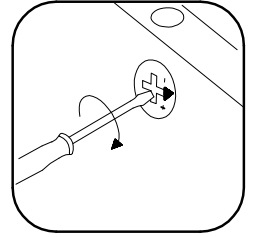
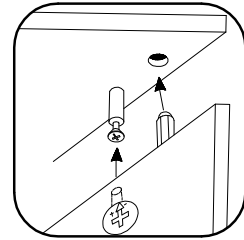
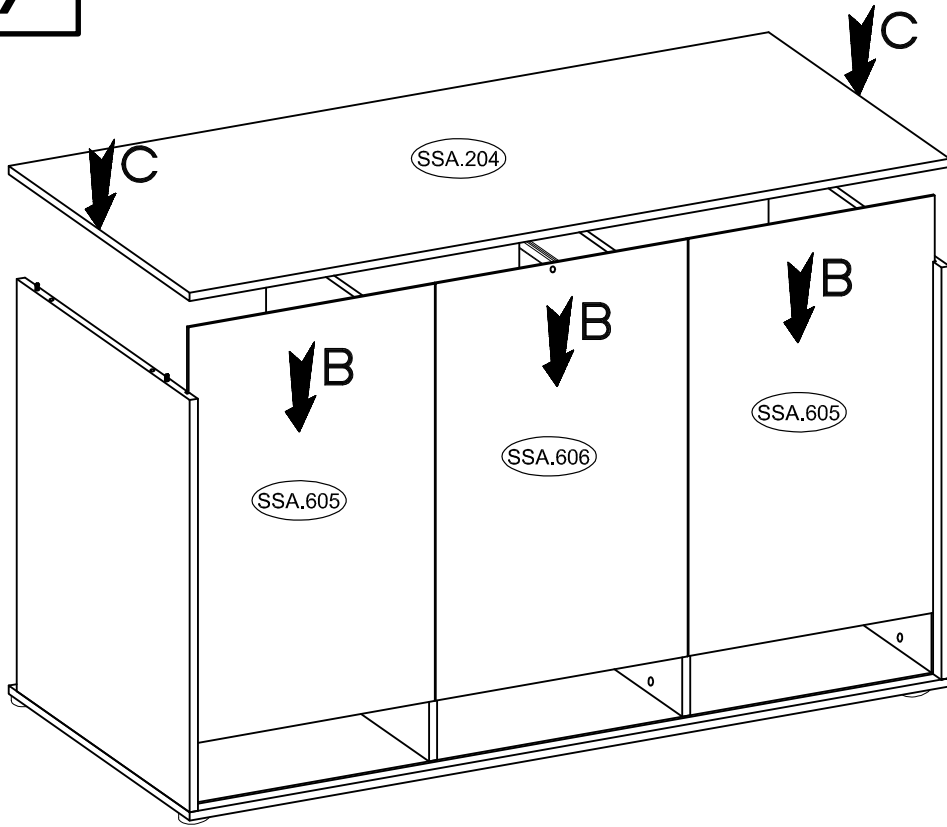
Warning: Do not use a heat gun.



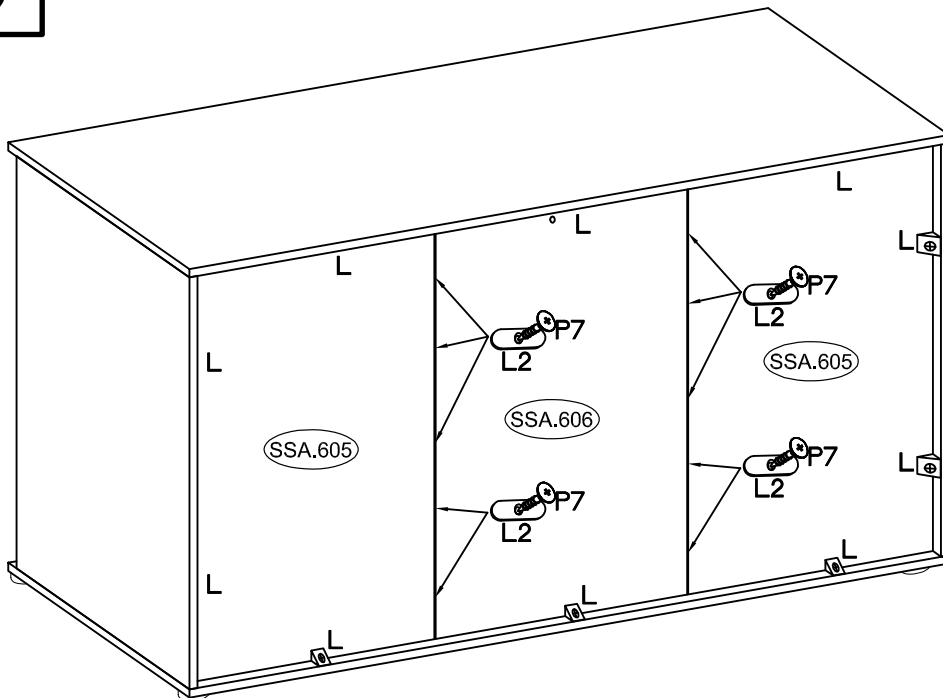
6






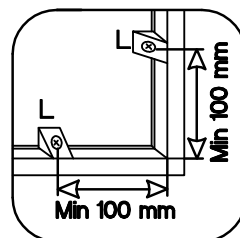
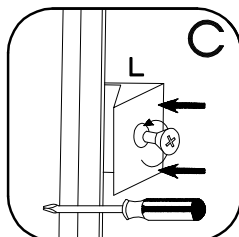
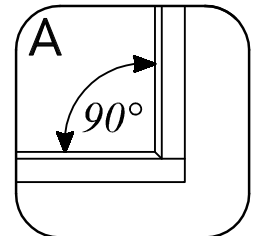
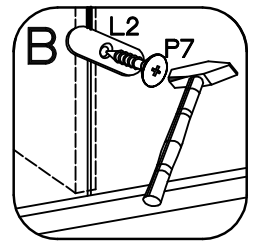
7



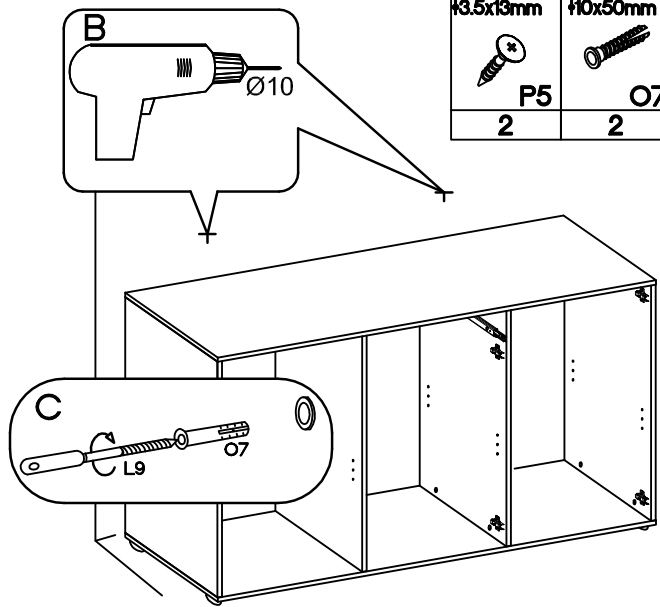
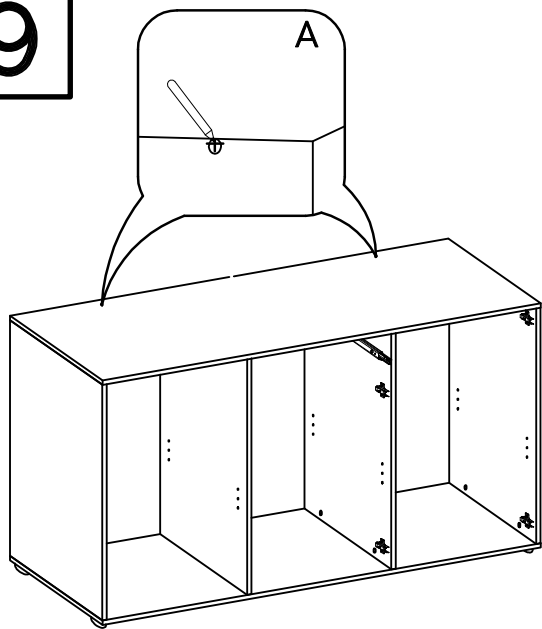
8






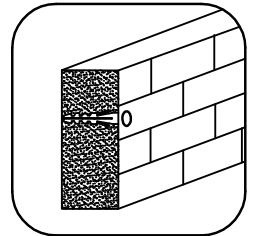
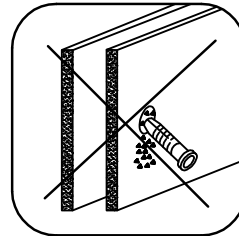
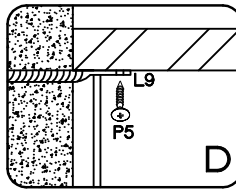
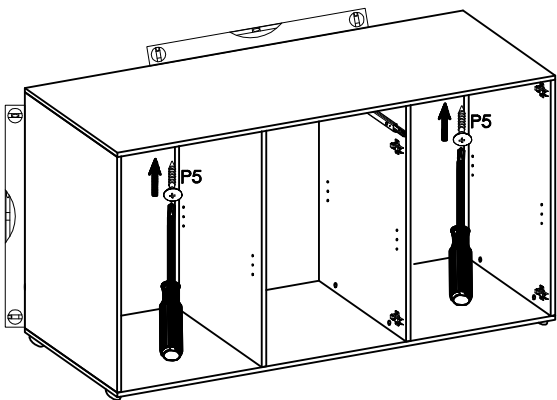
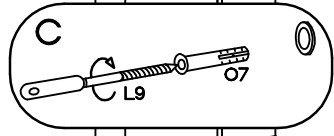
 P7 10	 L2 10	 L 10
---	---	--



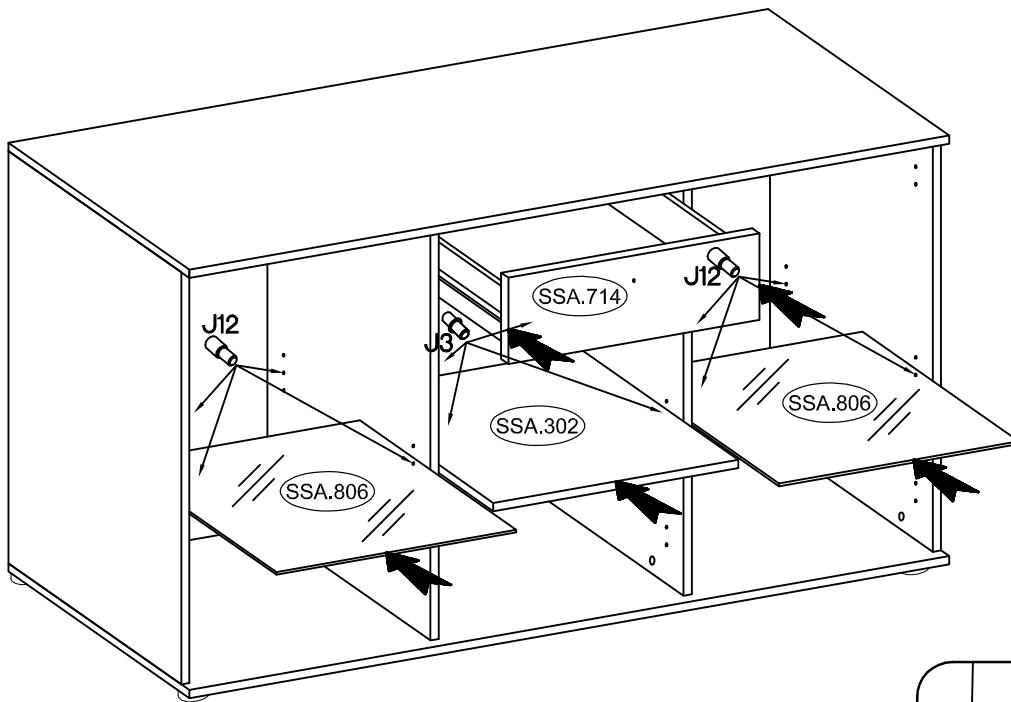
9






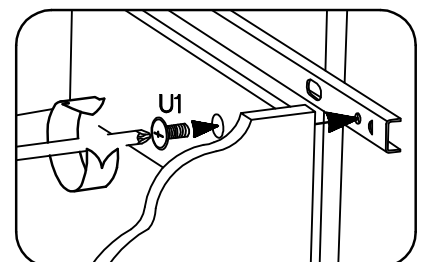
 P5 2	 Ø7 2	 L9 2
---	---	---






10



 J3 4	 J12 8	 U1 2
--	---	--



30x30mm	M4x22mm	
		
S	U	E
3	3	12

