
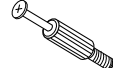
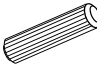




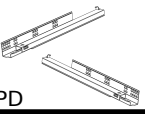

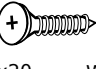

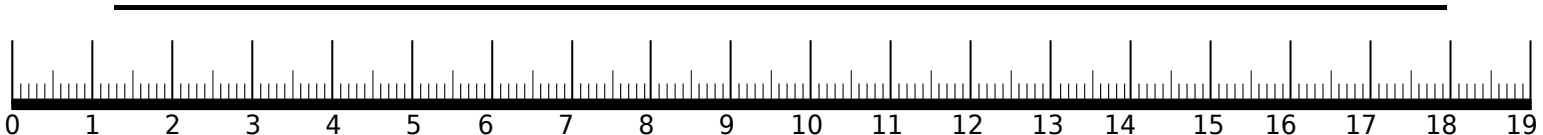
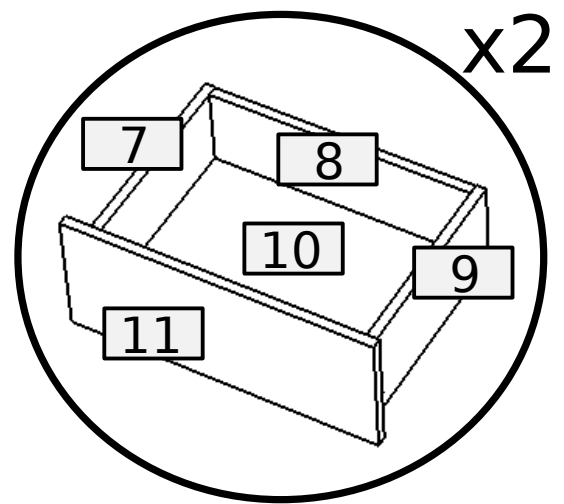
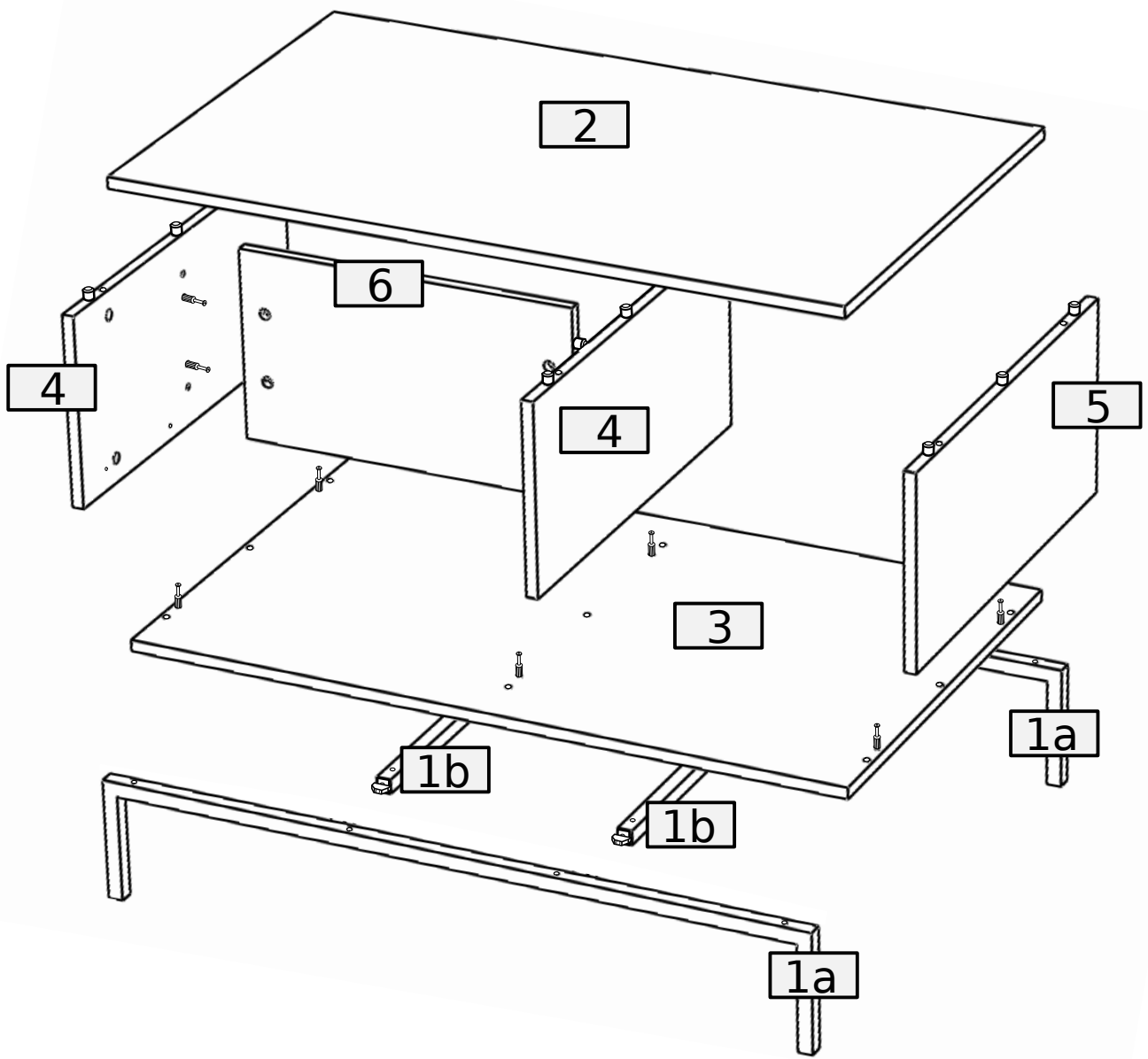
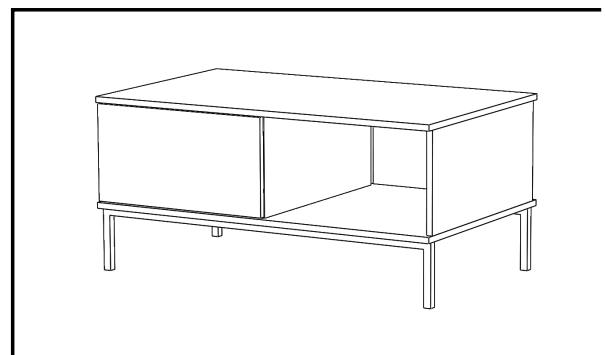


20	20	38	8	4	1
					
B	A	8.0x35	D	G4	O
					
X	PD	6.0x10.5	F	3.0x20	W1
12	2	8	6	8	



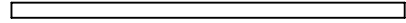


No.	Pcs.	L	W	D	Pac
1a	2	990	170	20	1/1
1b	2	520	20	20	1/1
2	1	1000	600	16	1/1
3	1	1000	600	16	1/1
4	2	560	268	16	1/1
5	1	560	268	16	1/1
6	1	475	268	16	1/1
7	2	250	160	16	1/1
8	2	434	142	16	1/1
9	2	250	160	16	1/1
10	2	257	449	3	1/1
11	2	503	262	16	1/1

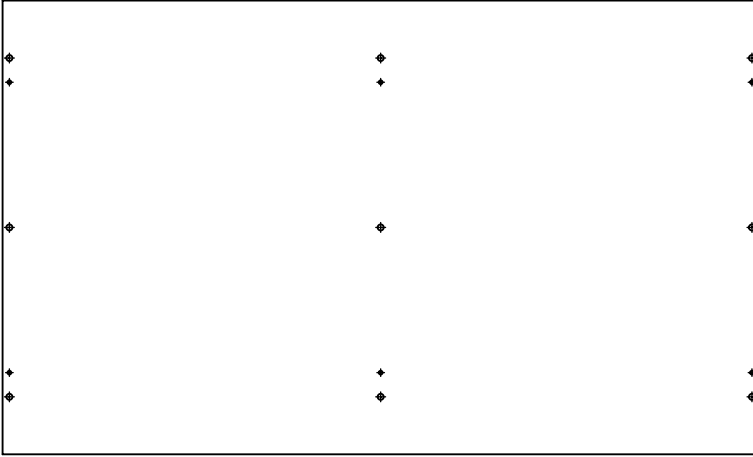




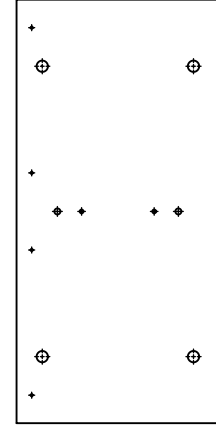
1a. 990x170x20 mm x2



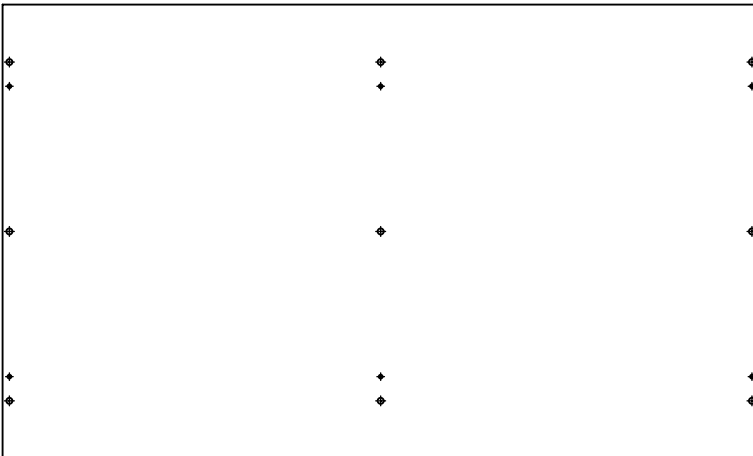
1b. 520x20x20 mm x2



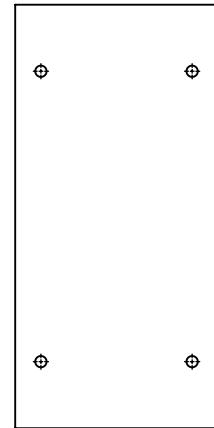
2. 1000x600x16 mm



4. 560x268x16 mm x2



3. 1000x600x16 mm



5. 560x268x16 mm



6. 475x268x16 mm



7. 250x160x16 mm x2



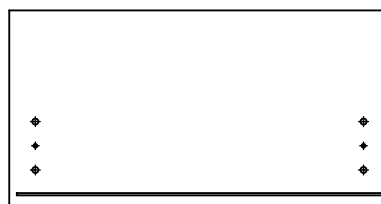
8. 434x142x16 mm x2



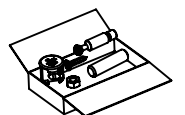
9. 250x160x16 mm x2



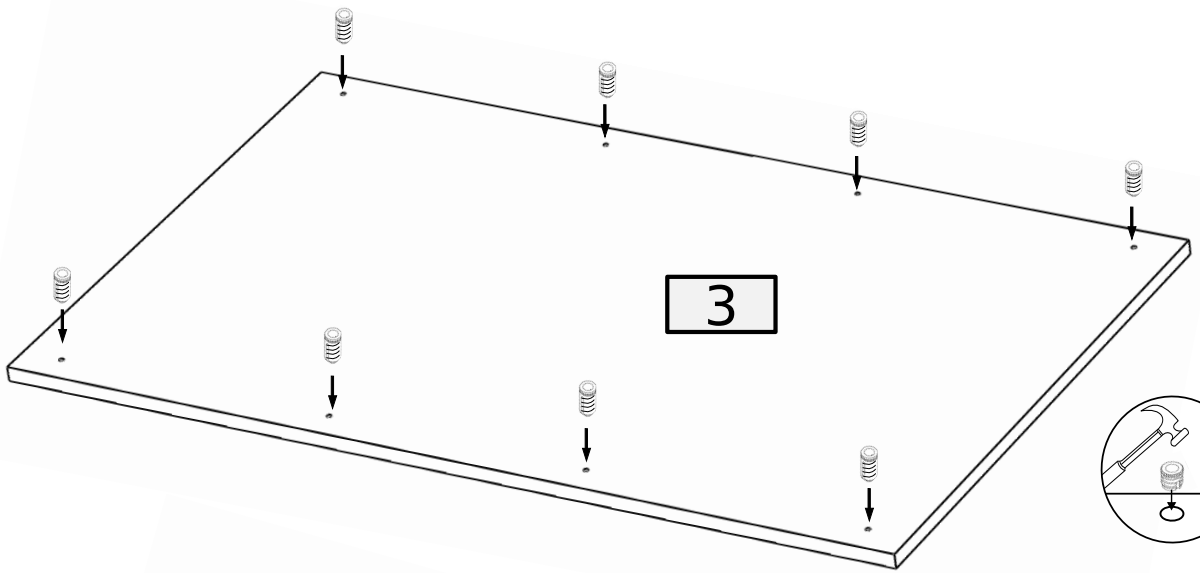
10. 257x449x3 mm x2



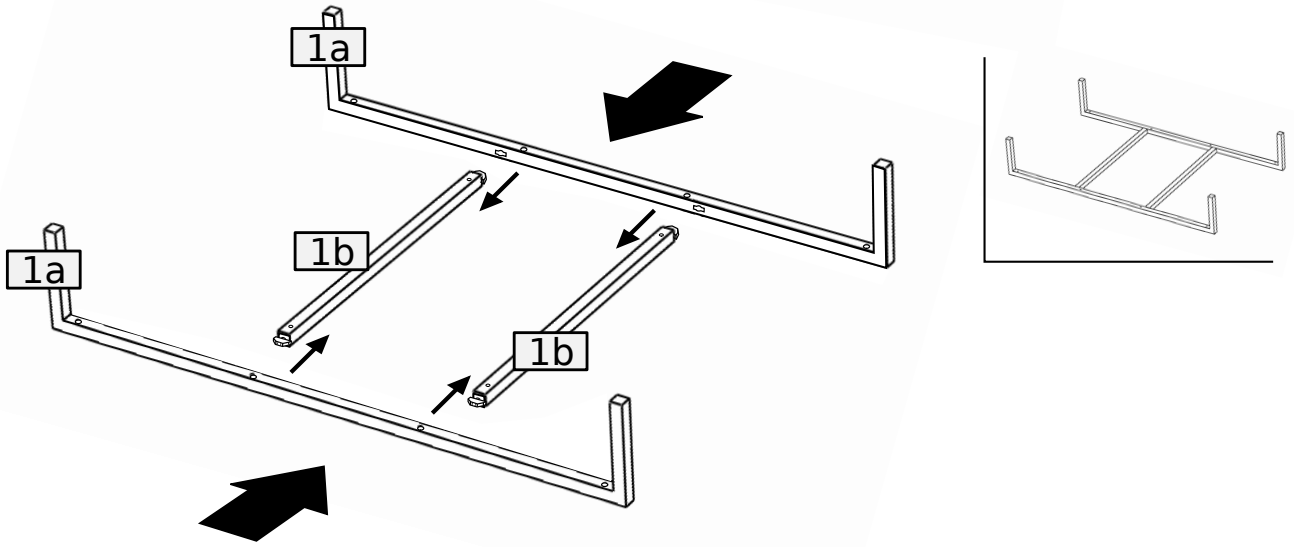
11. 503x262x16 mm x2



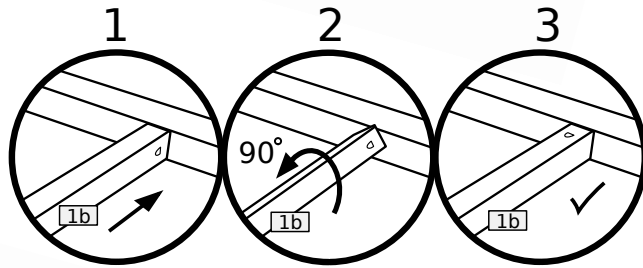
①



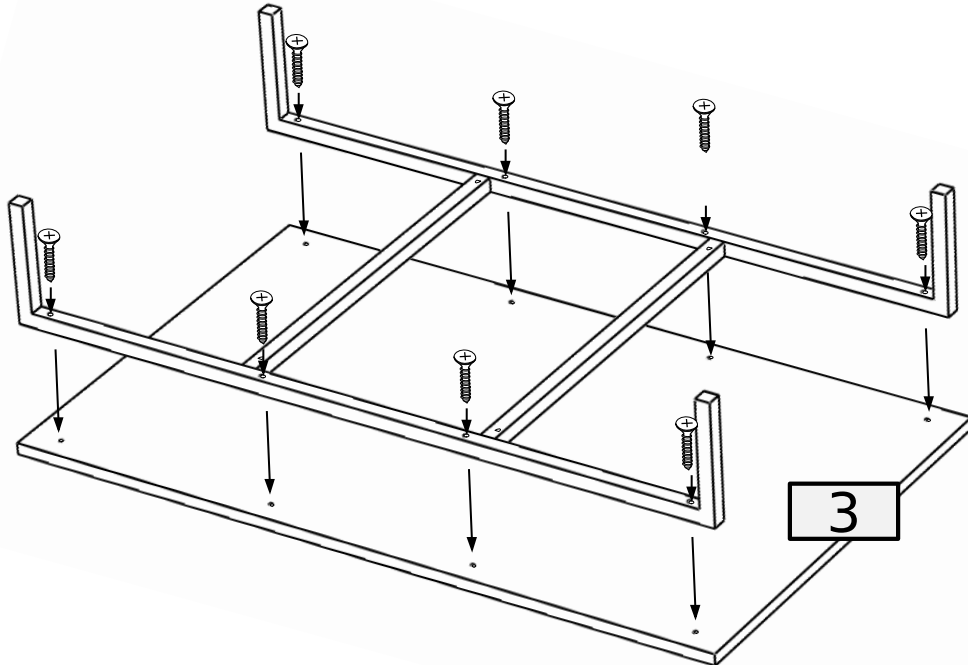
②



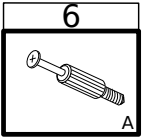
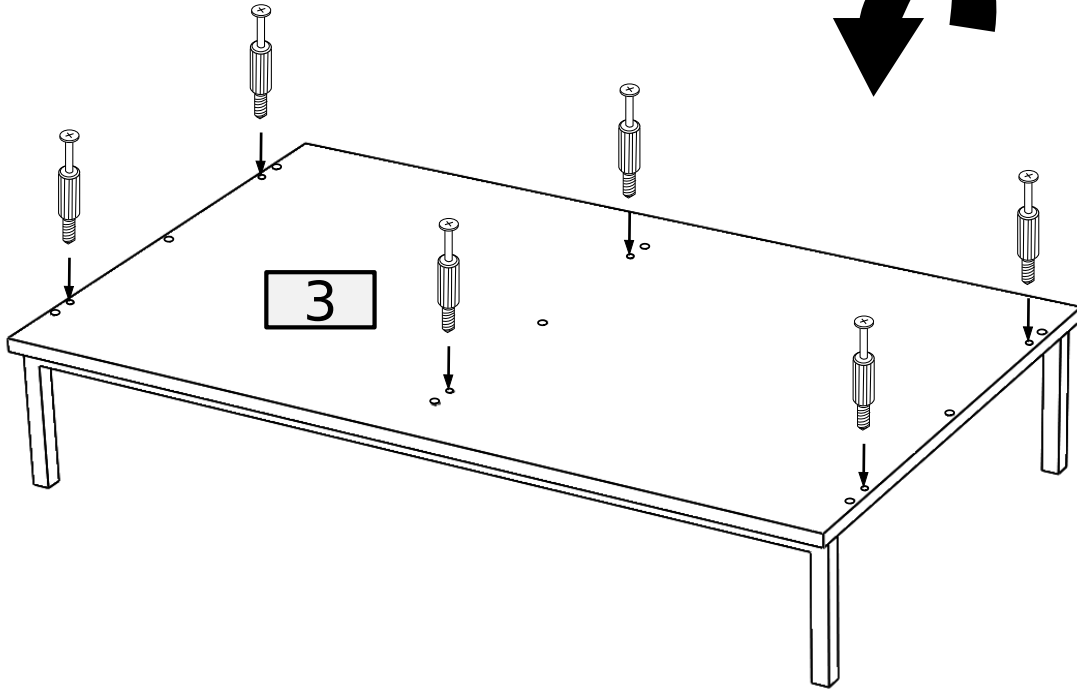
②



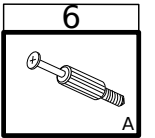
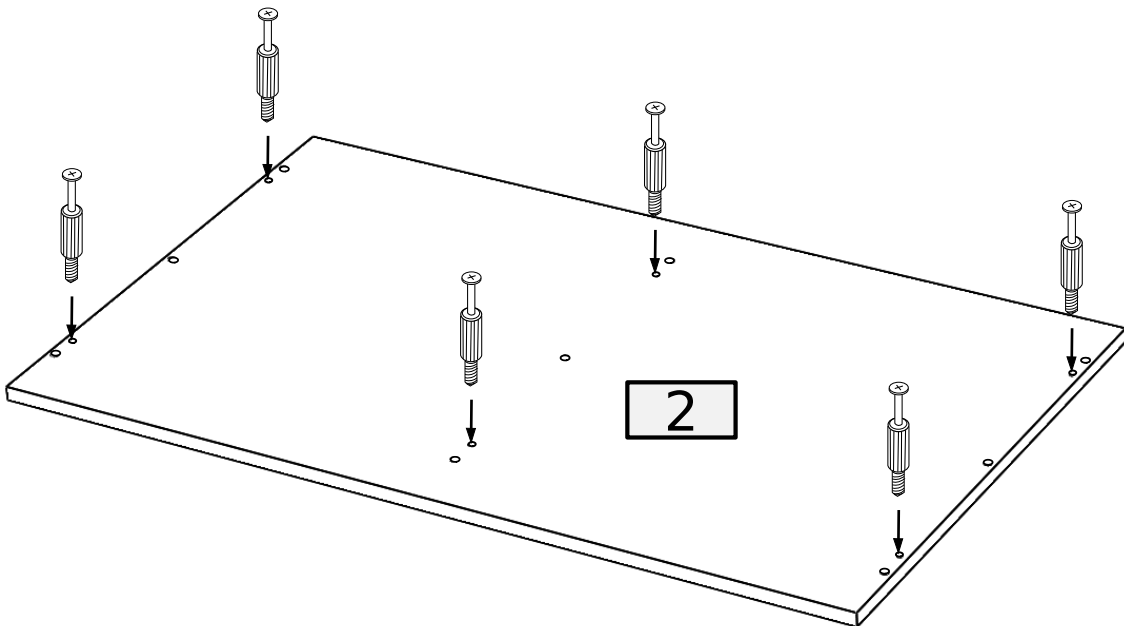
③





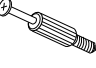
5

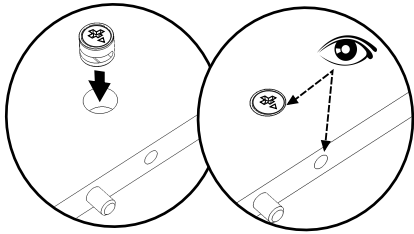
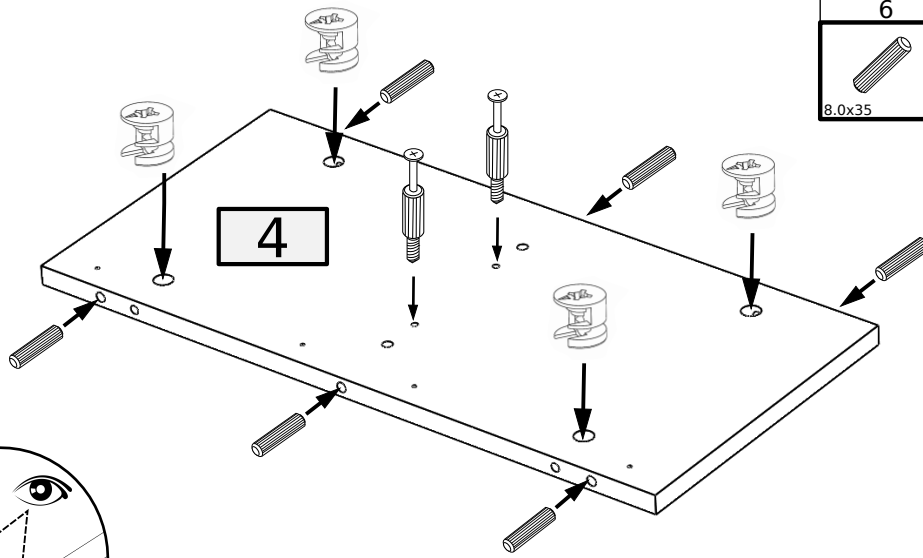


6





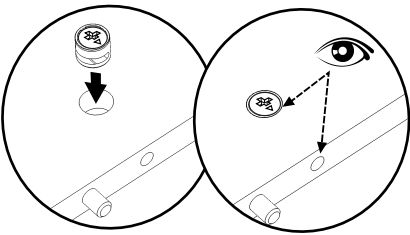
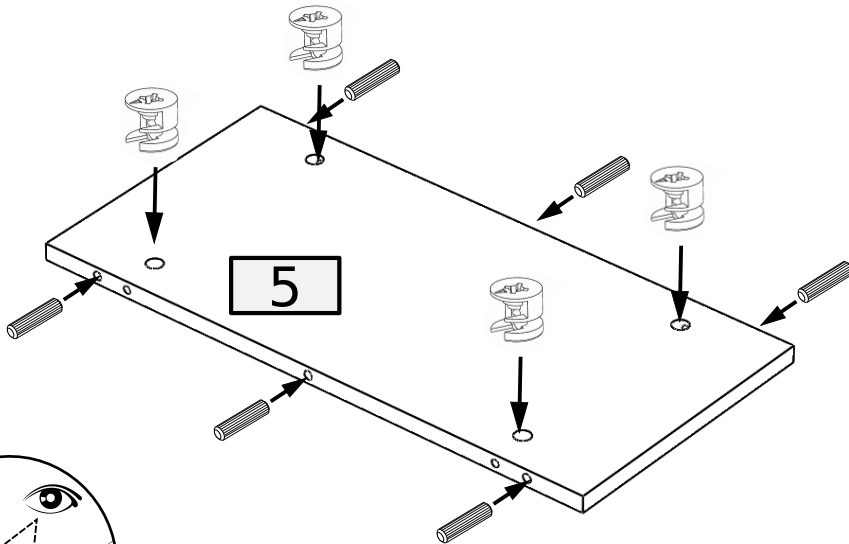
⑦ x2

6	4	2
		
8.0x35	D	A

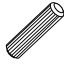



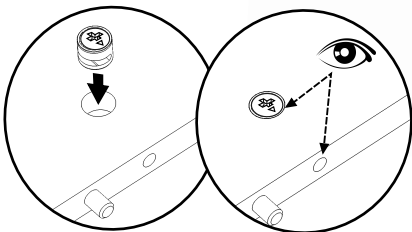
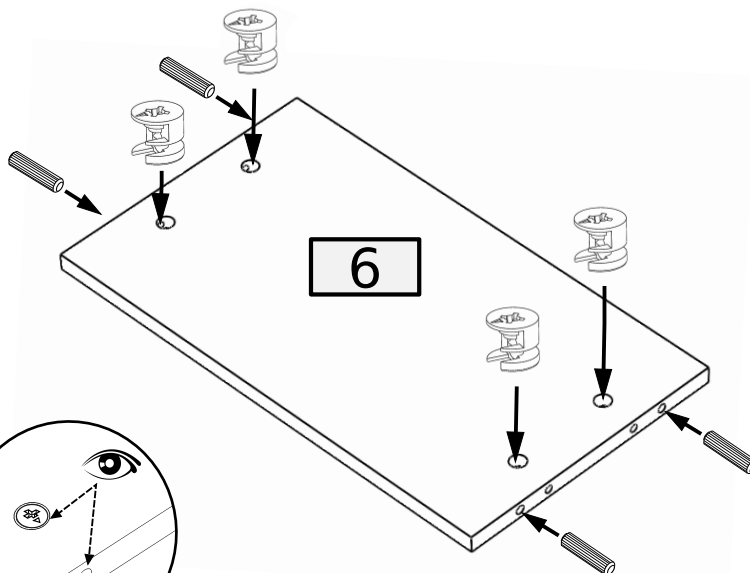
⑧

6	4
	
8.0x35	D

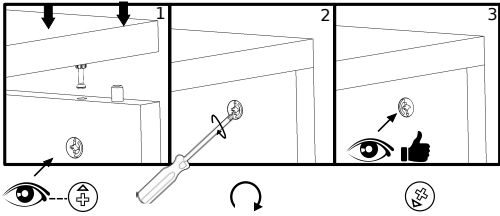
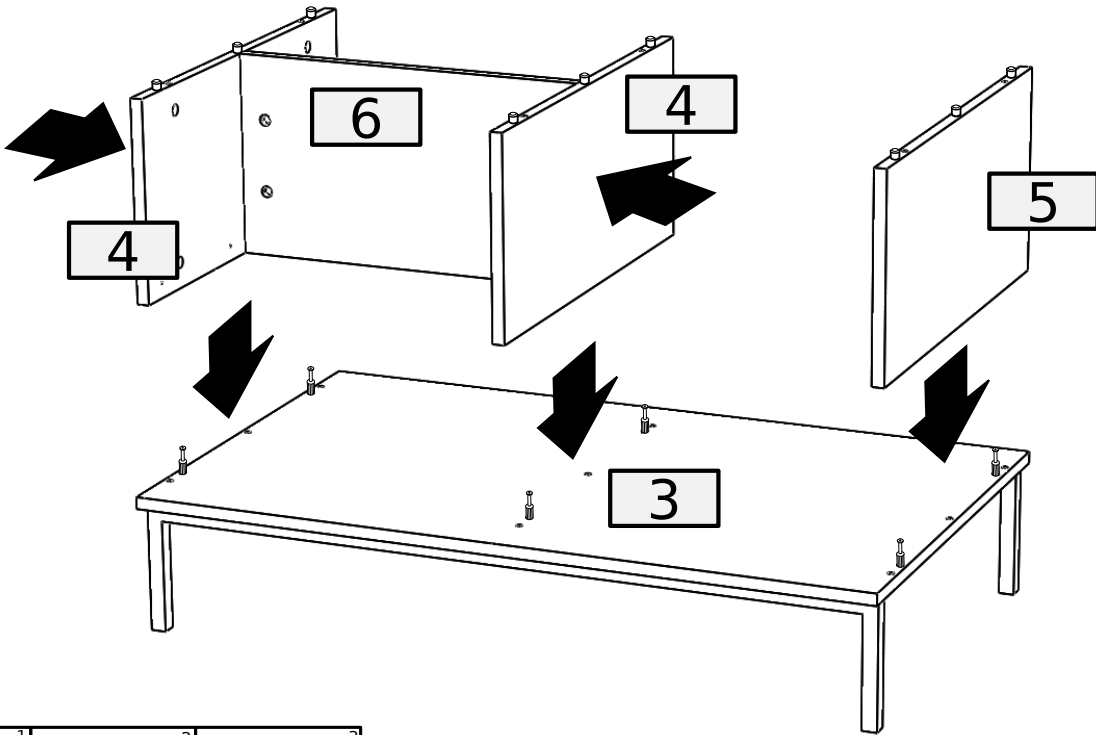


⑨

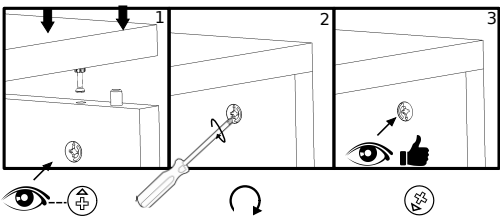
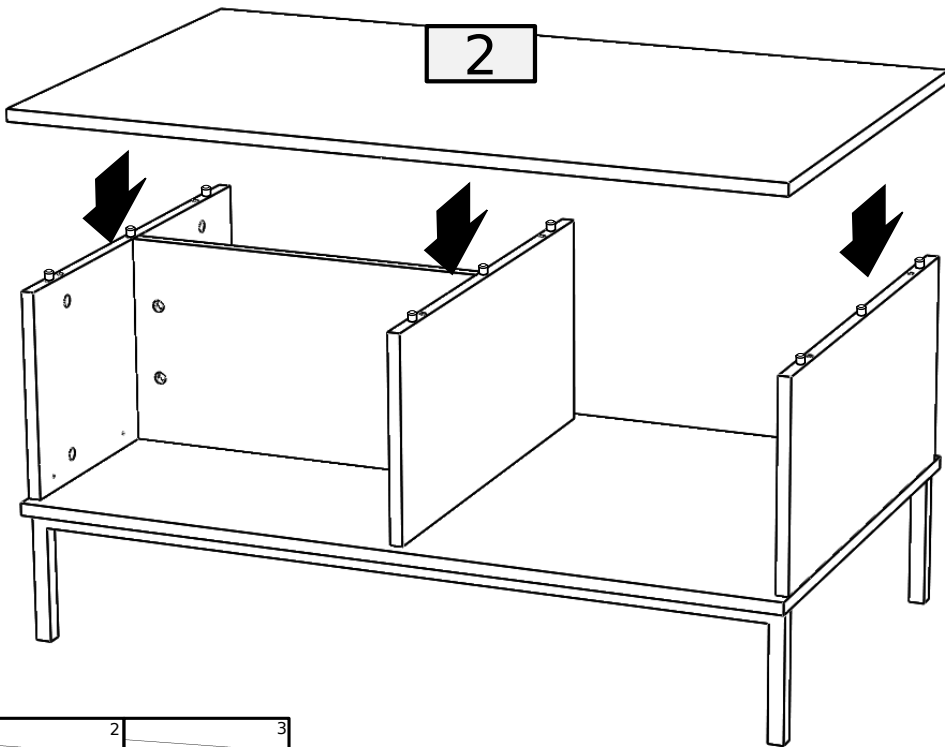
4	4
	
8.0x35	B



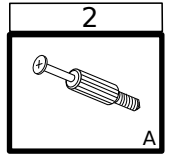
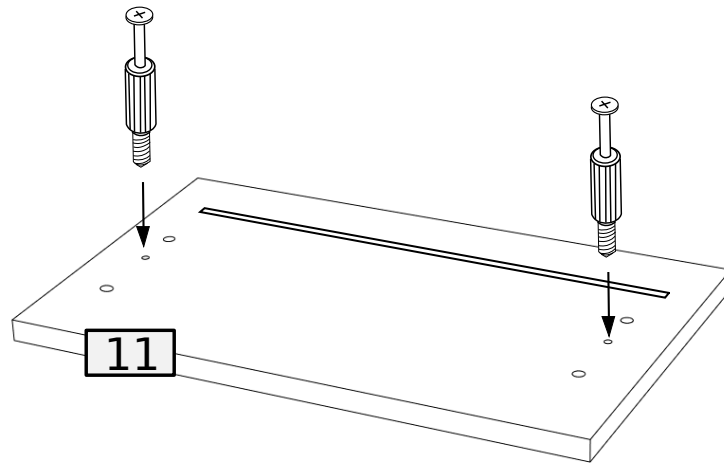
10



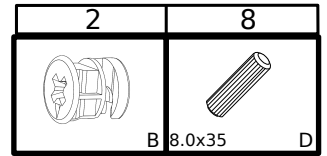
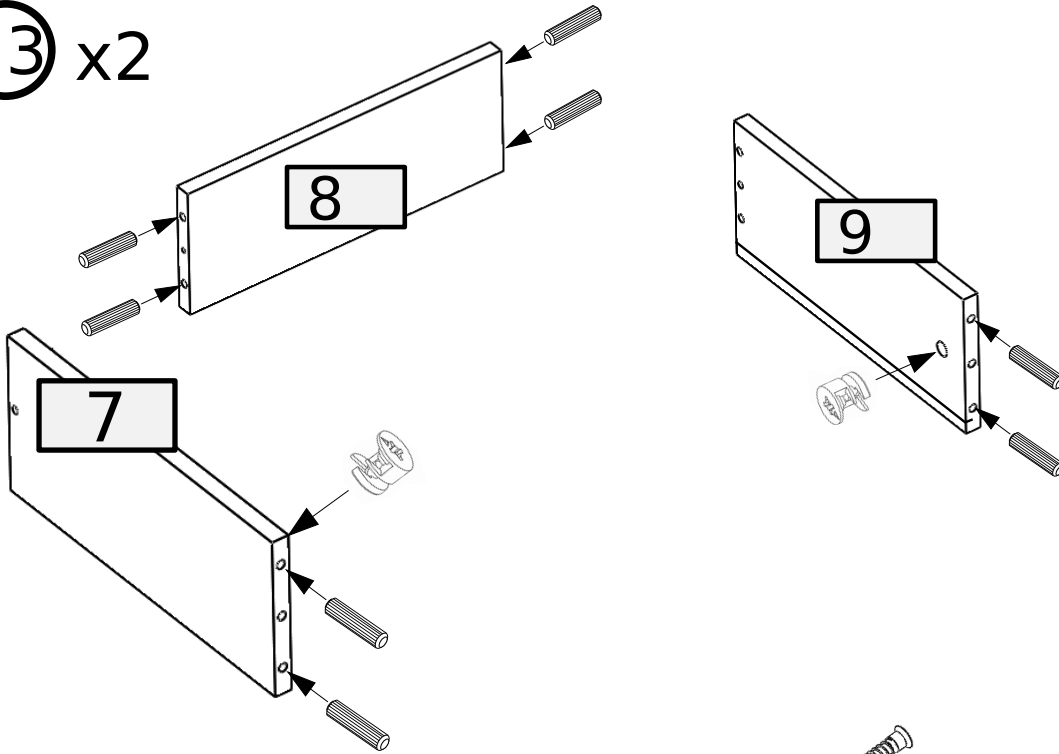
11



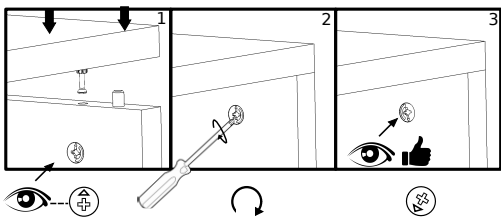
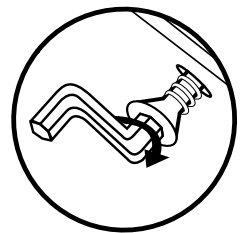
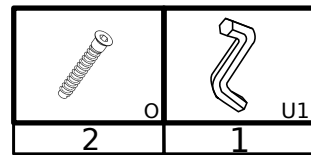
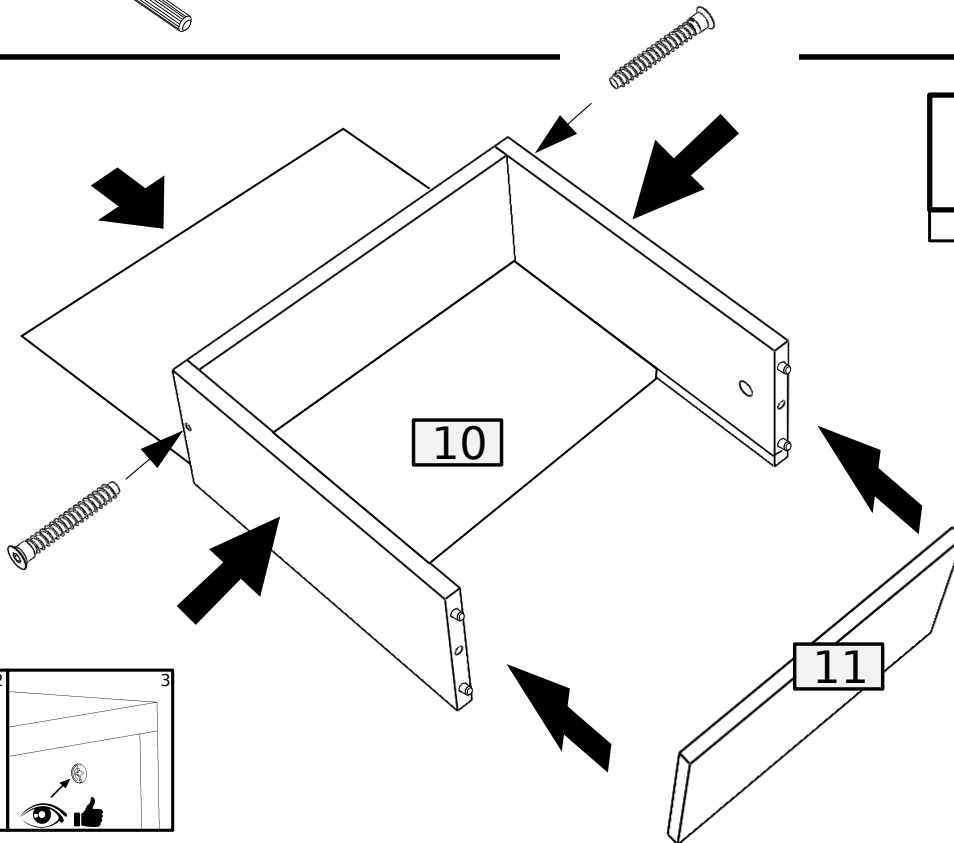
12 x2



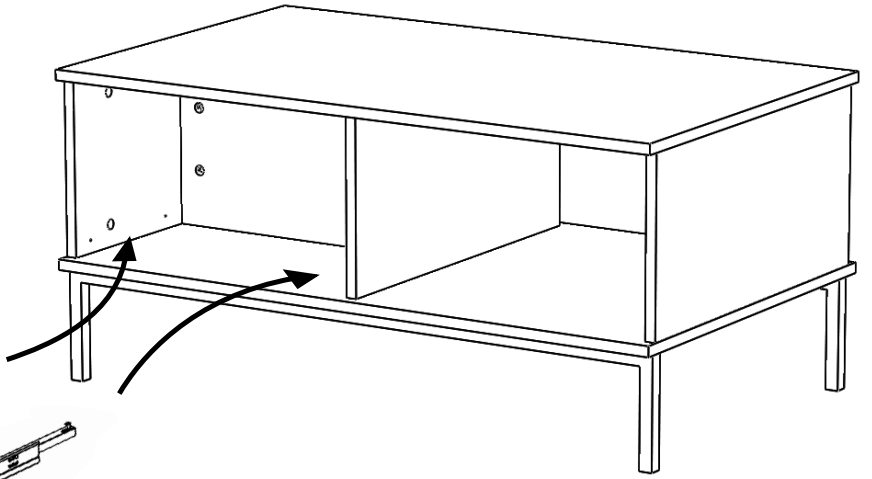
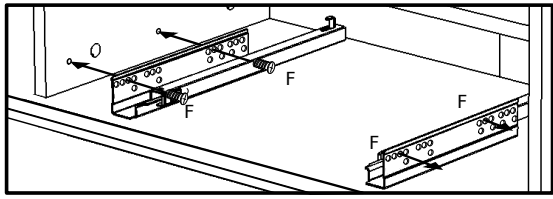
13 x2


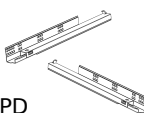


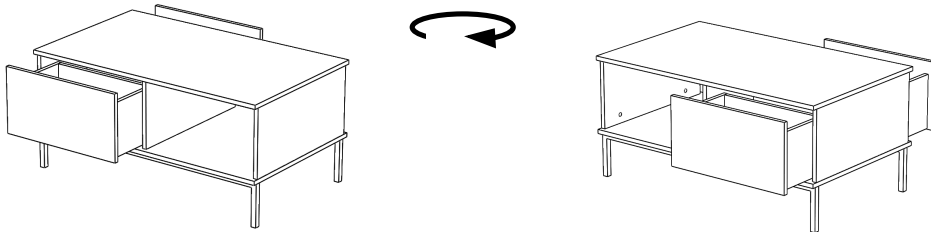
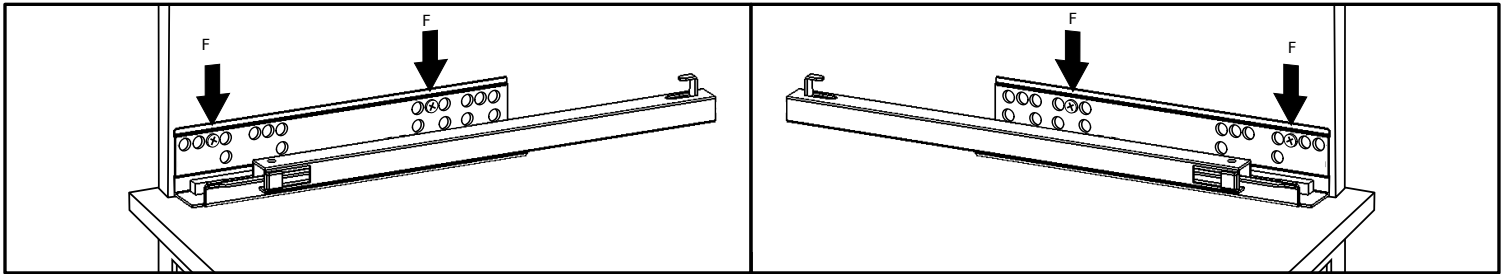
14 x2



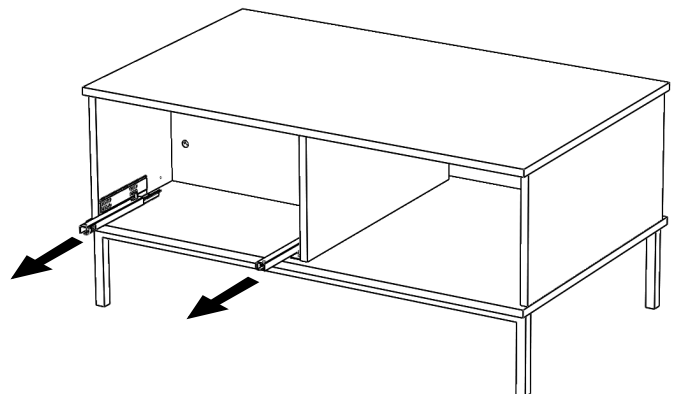
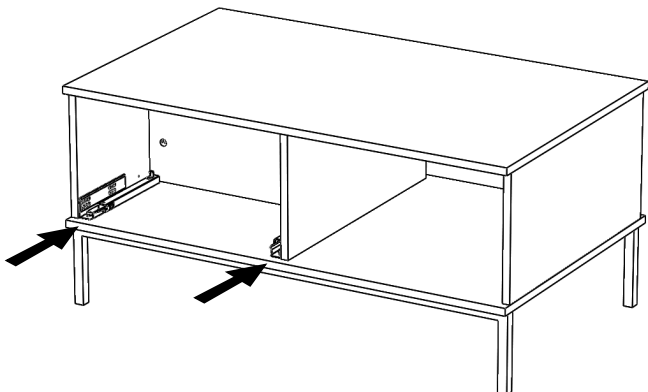
15 x2



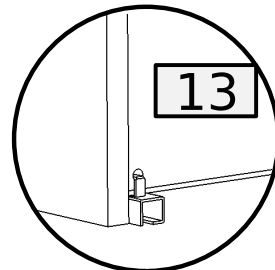
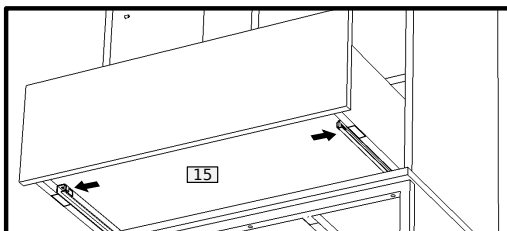
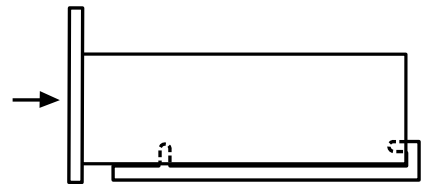
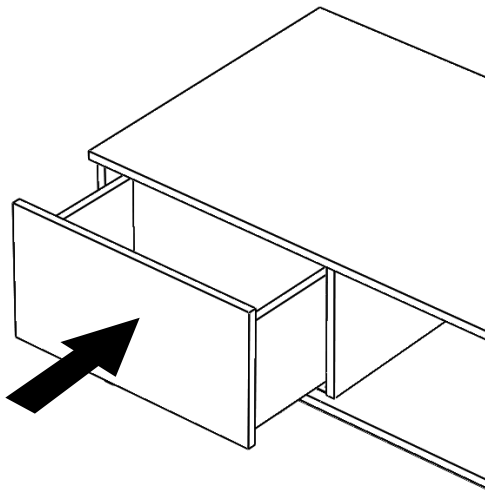
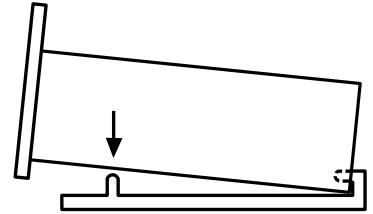
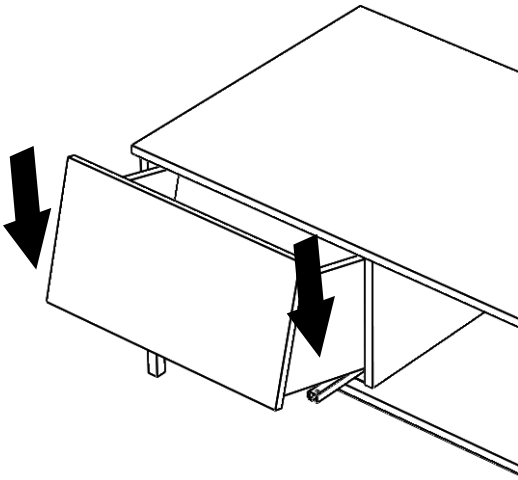
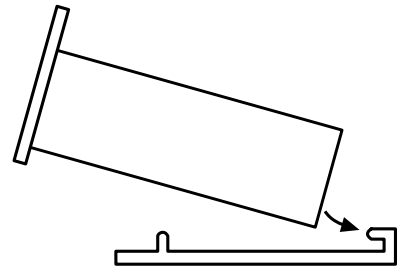
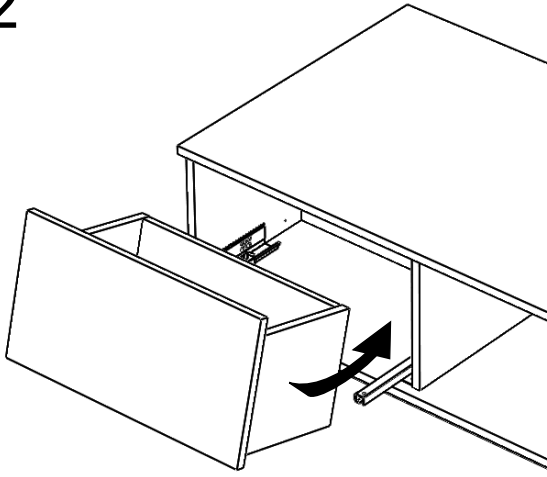
4	1
	
6.3x13	F PD

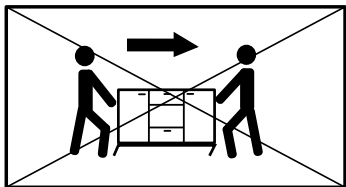
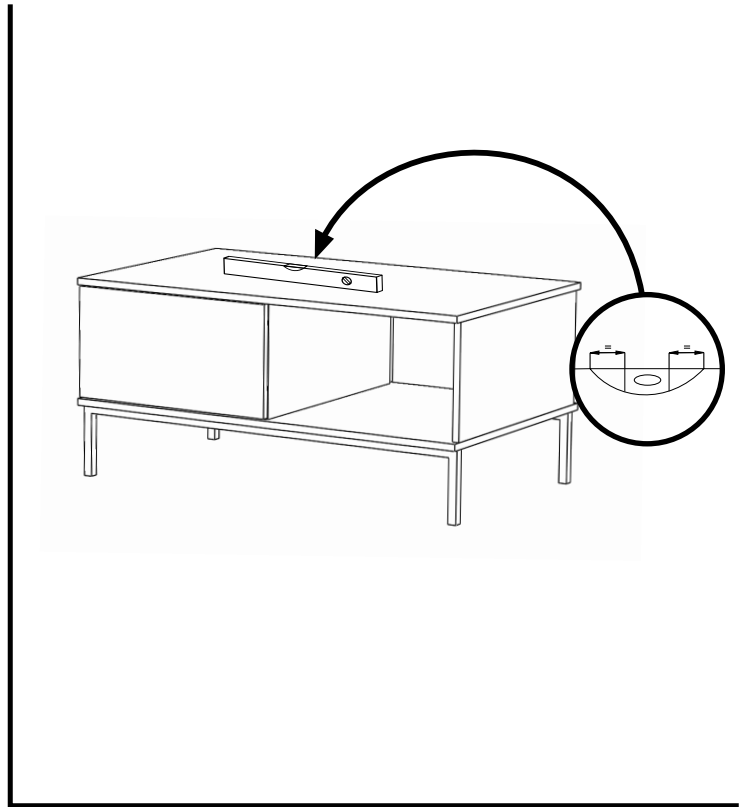
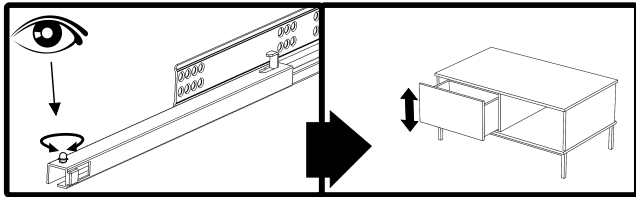
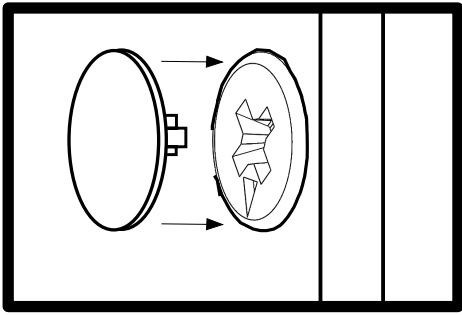


16 x2

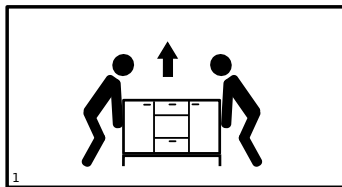


17 x2





×



✓

