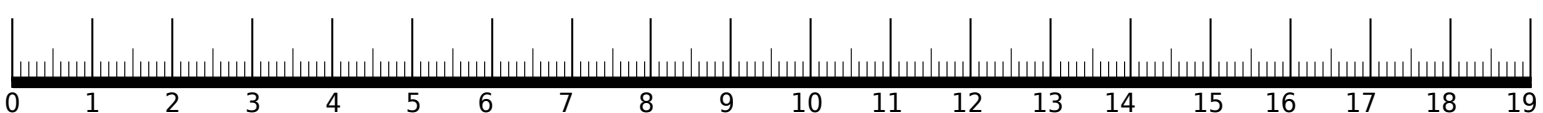
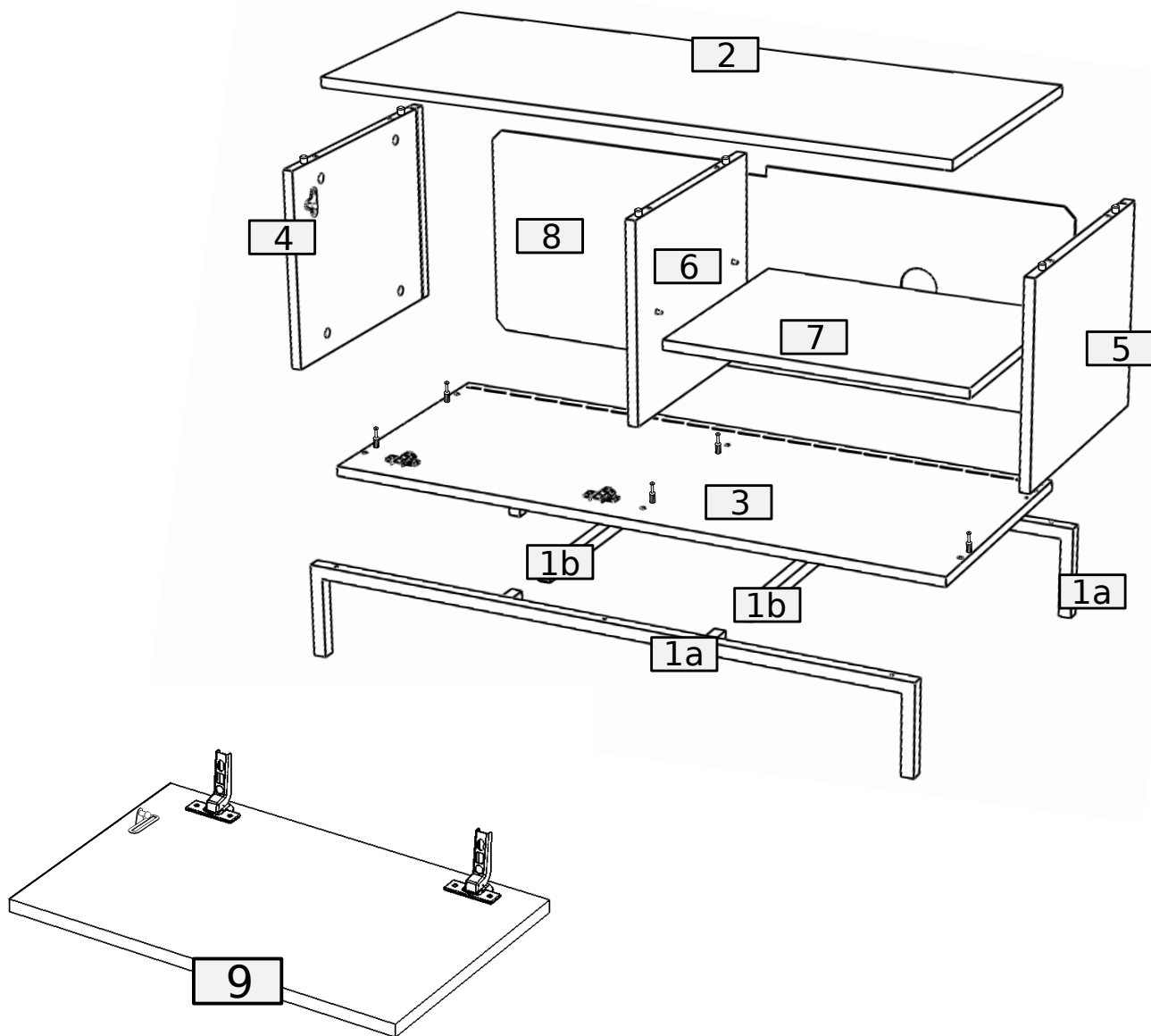


12	12	12	5	2	3	6	6
B	A	8.0x35	D	3.5x16	W2	PZ	G
X	S3	KS	Z	PTS			
12	4	1	2	1			

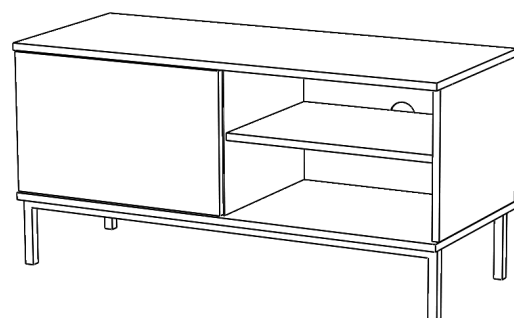
4.0x35	W11
6	4

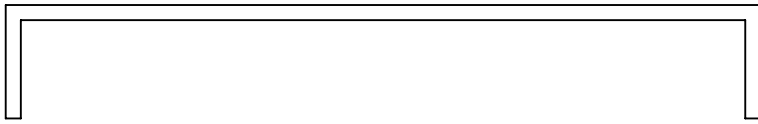
PD1	PD2	PD3
PDD		
1		



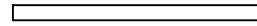


No.	Pcs.	L	W	D	Pac
1a	2	998	150	20	1/1
1b	2	330	20	20	1/1
2	1	1008	410	16	1/1
3	1	1008	410	16	1/1
4	1	390	318	16	1/1
5	1	390	318	16	1/1
6	1	370	318	16	1/1
7	1	481	360	16	1/1
8	1	990	333	3	1/1
9	1	504	312	16	1/1

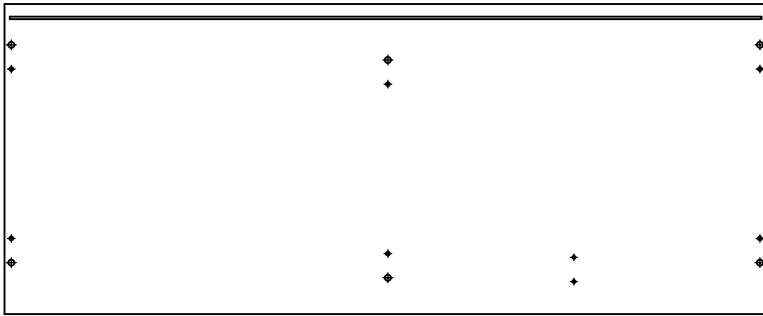




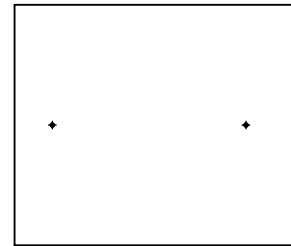
1a. 998x150x20 mm x2



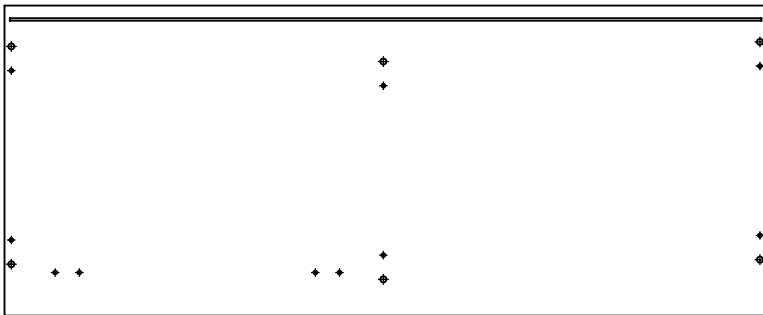
1b. 330x20x20 mm x2



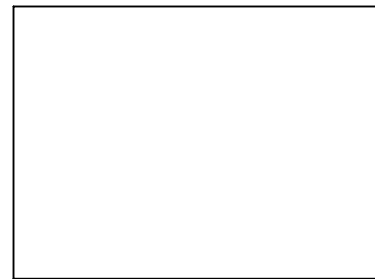
2. 1008x410x16 mm



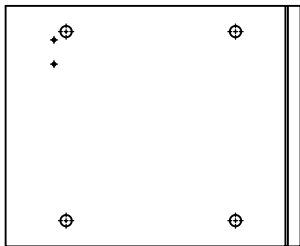
6. 370x318x16 mm



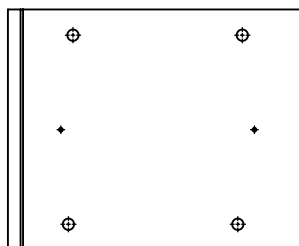
3. 1008x410x16 mm



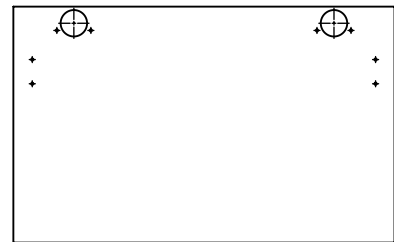
7. 481x360x16 mm



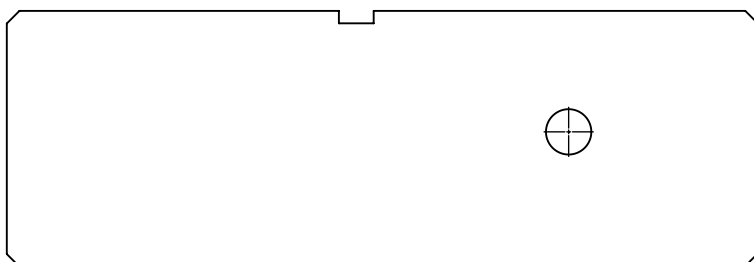
4. 390x318x16 mm



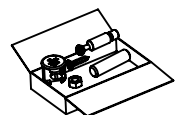
5. 390x318x16 mm



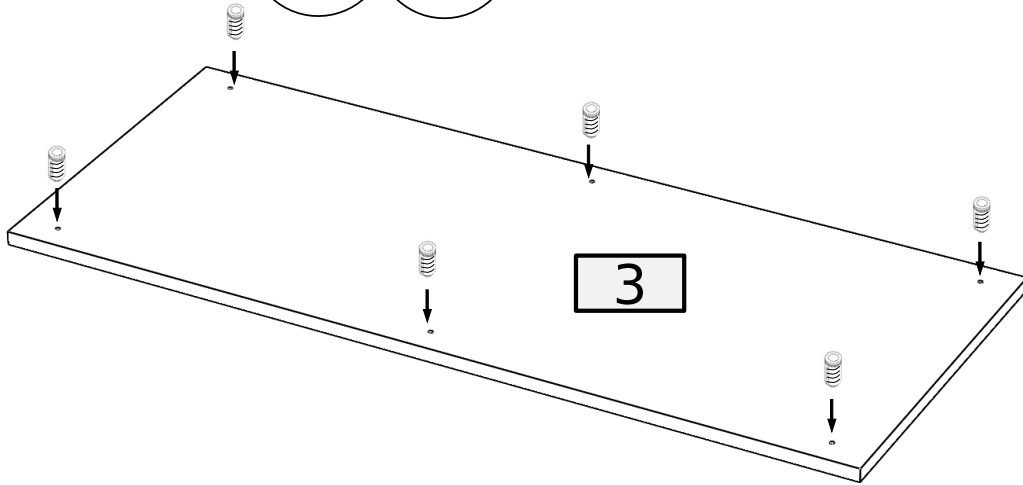
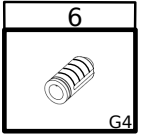
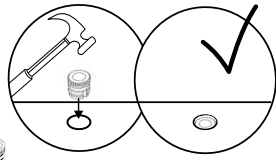
9. 504x312x16 mm



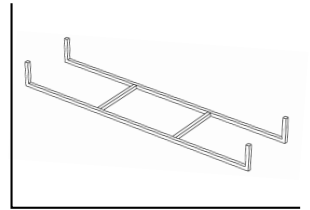
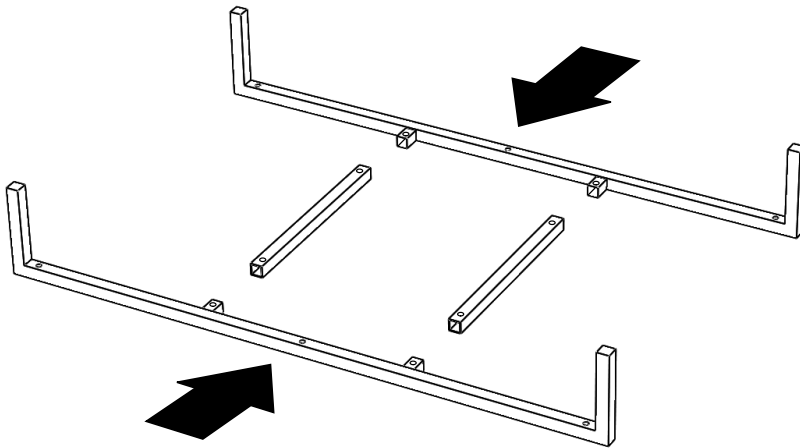
8. 990x333x3 mm



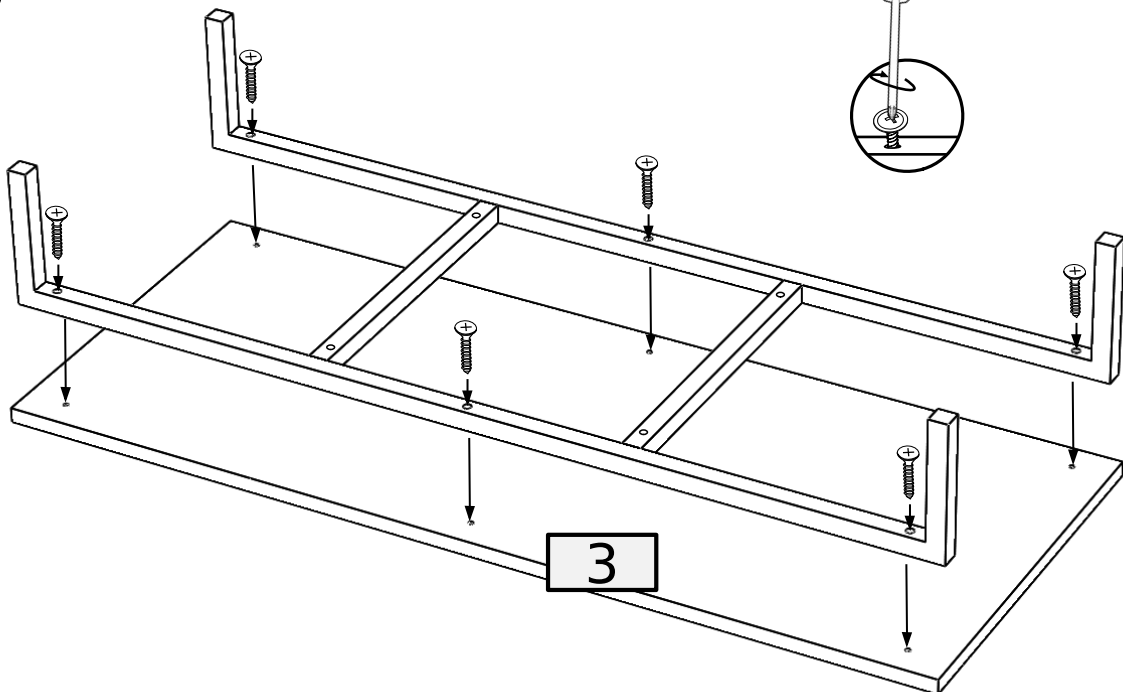
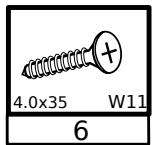
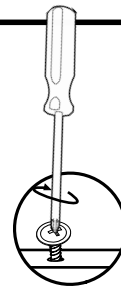
1




2

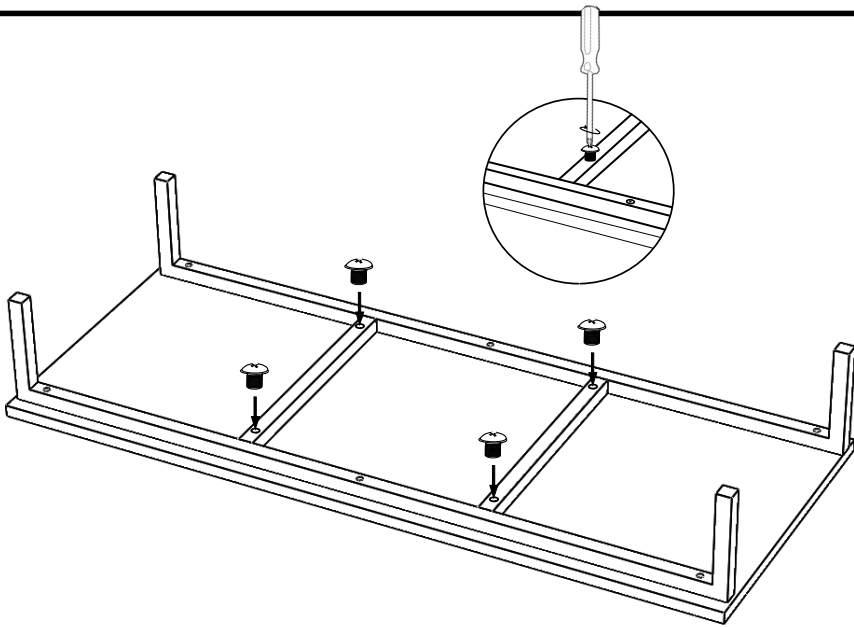


3

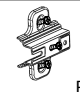
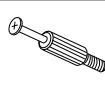


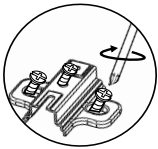
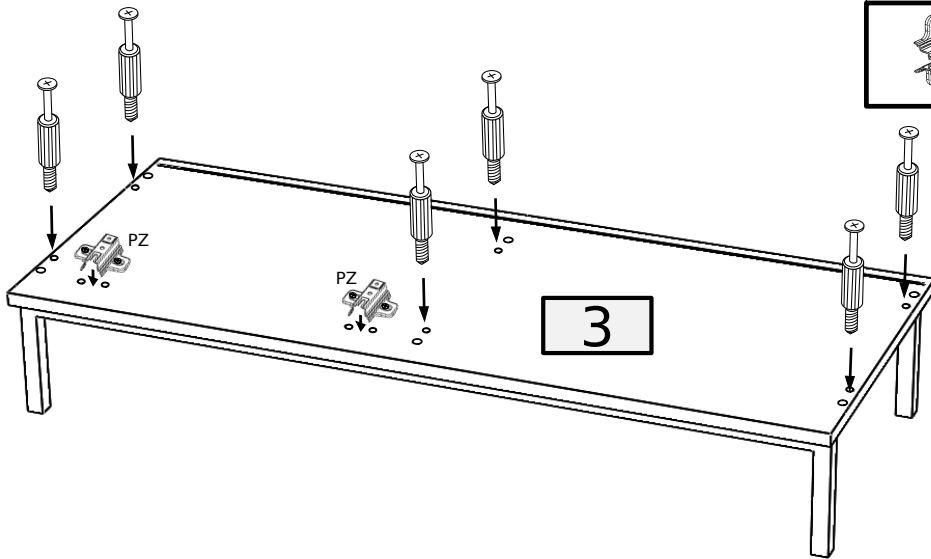
4

4

WS

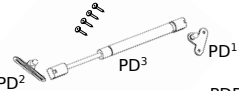


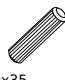

5

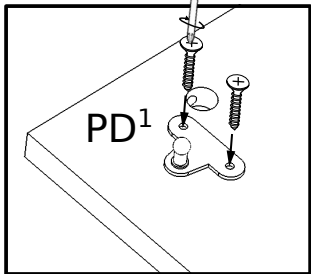
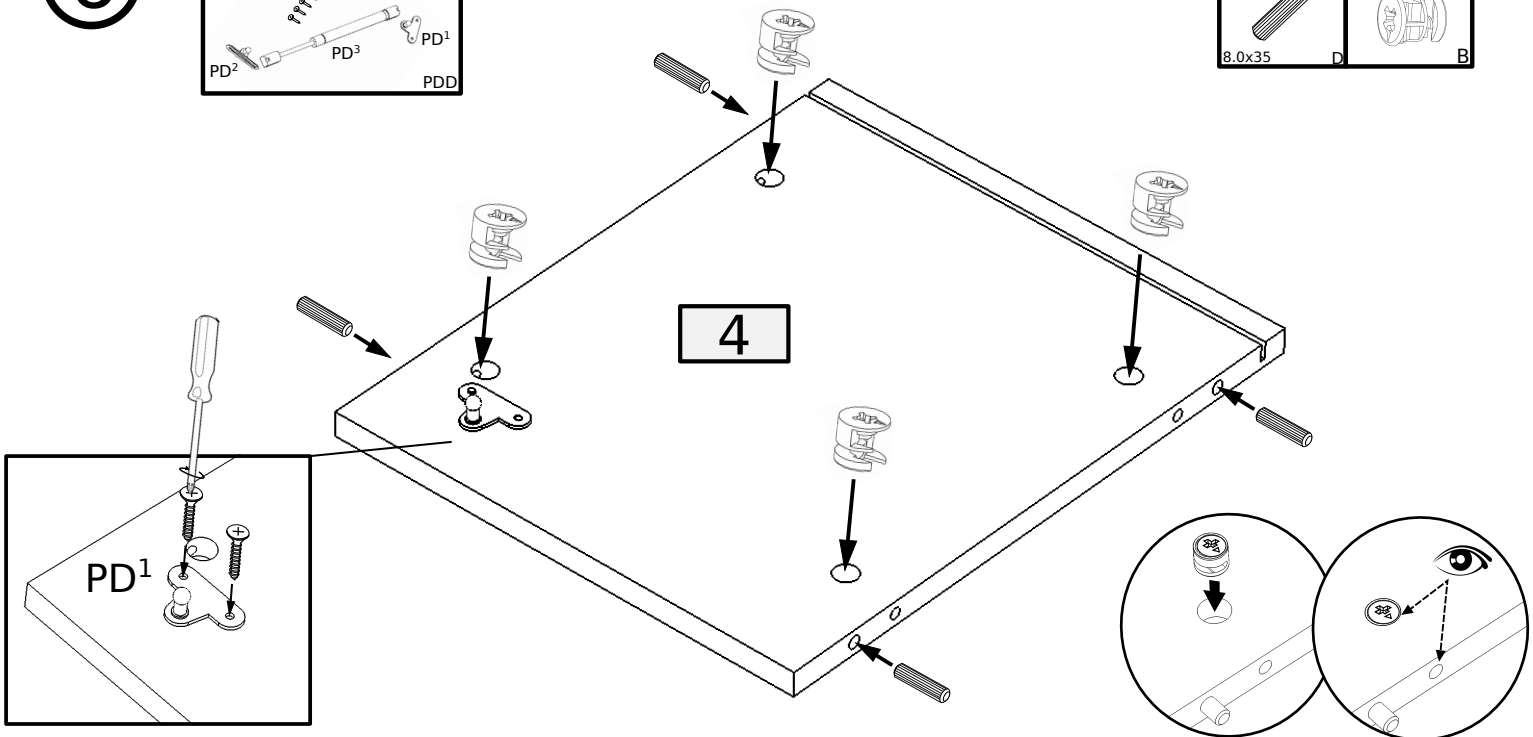
2	8
	
PZ	A





6

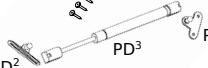
1

PD ² PD ³ PD ¹ PDD

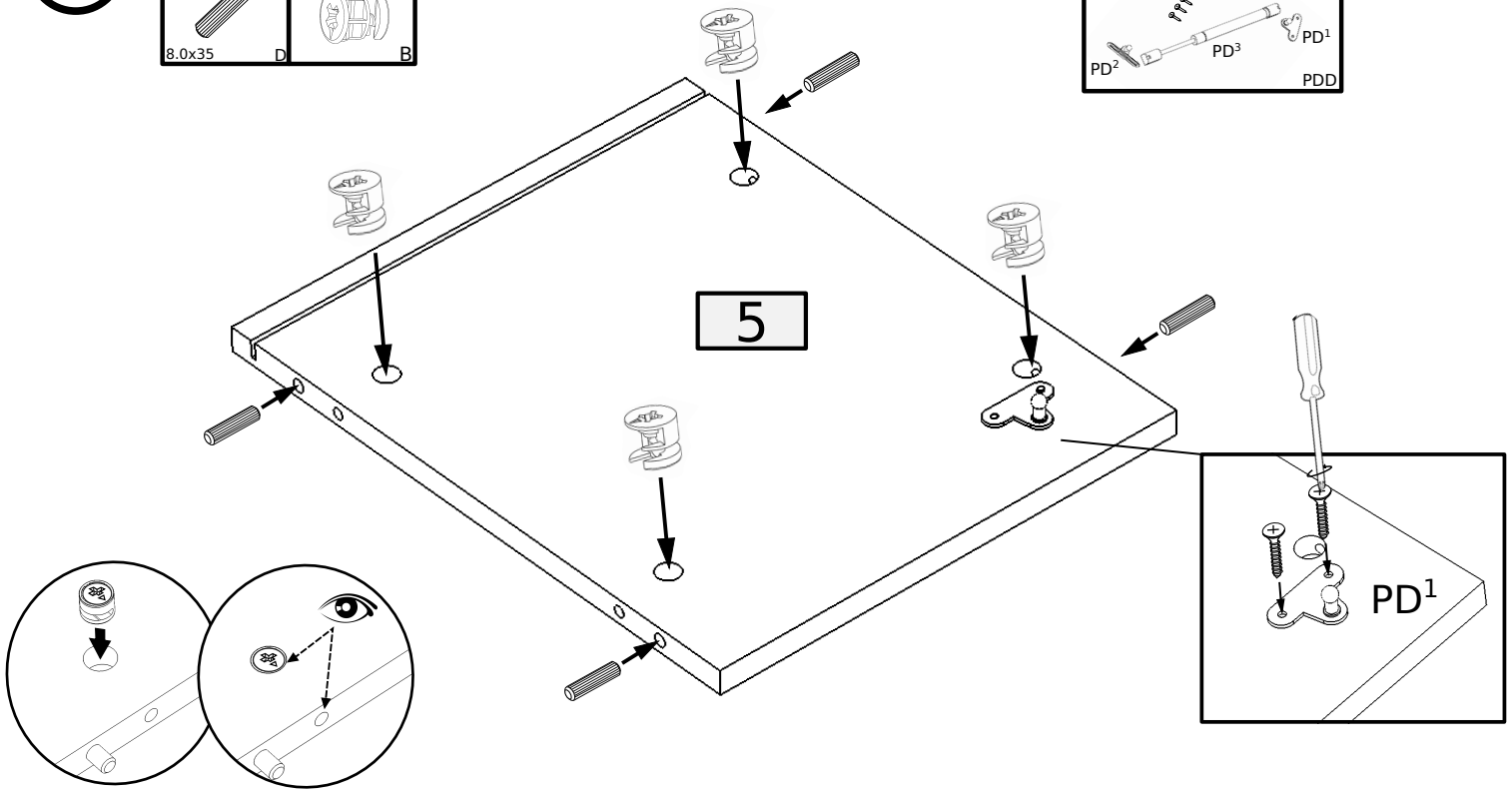
4	4
	
8.0x35 D	B



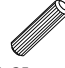


7

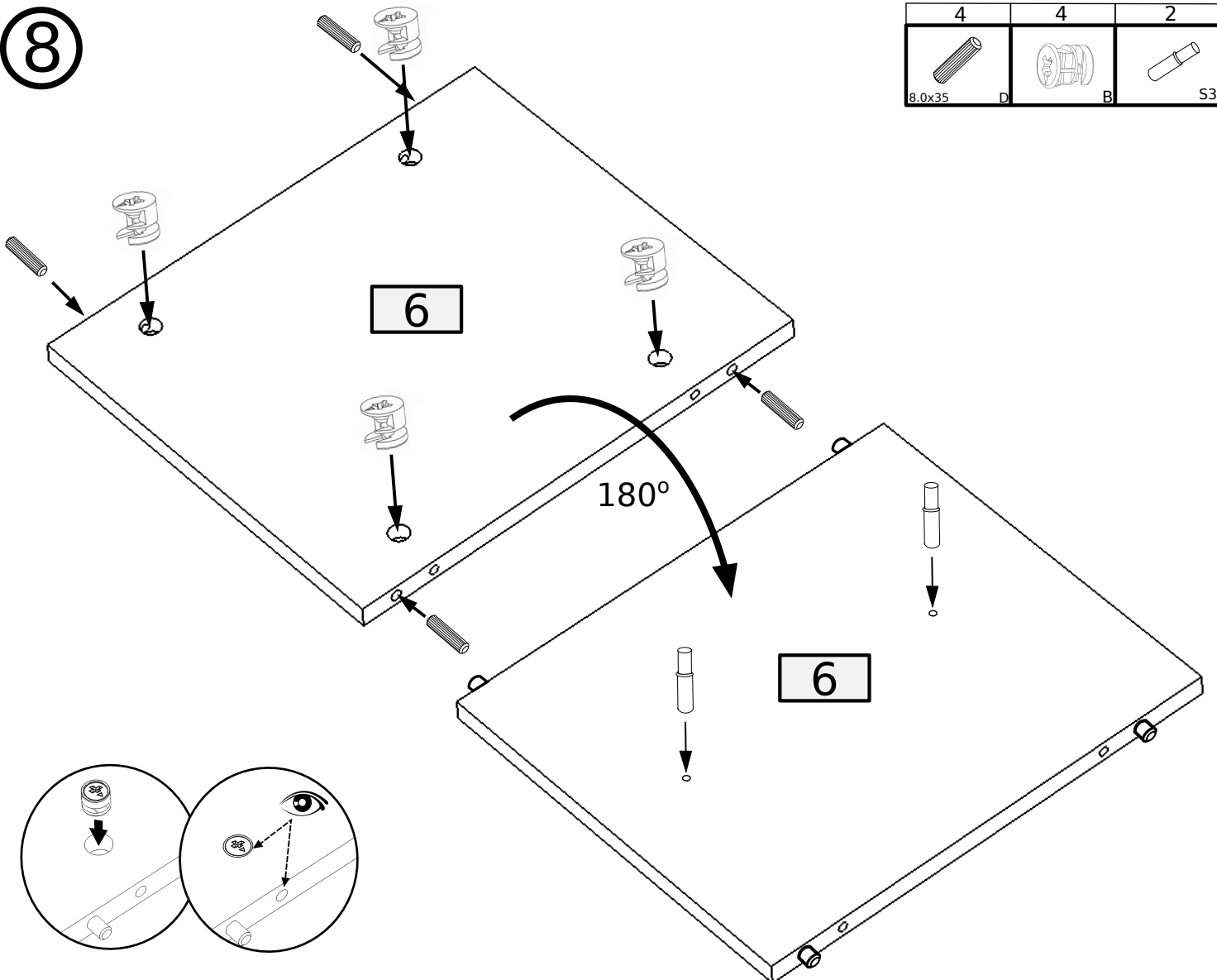
4	4
	
8.0x35	D
	B

1

PD ² PD ³ PD ¹
PDD

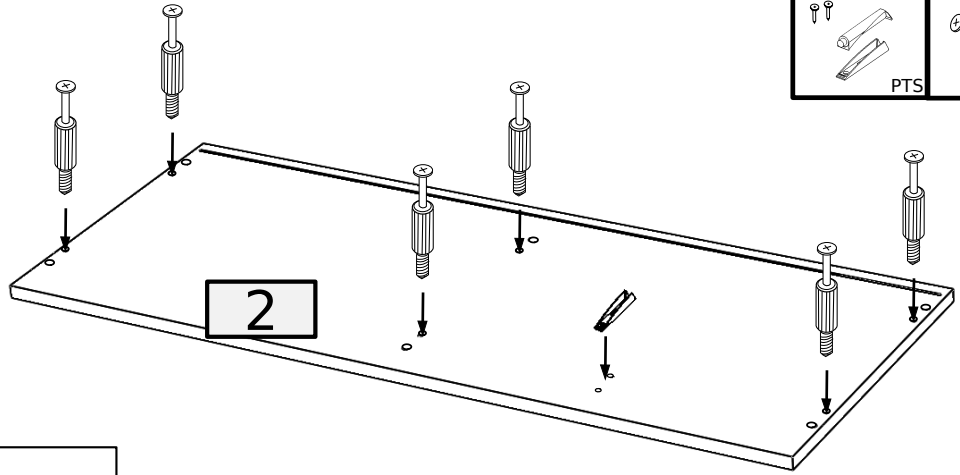



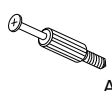
8

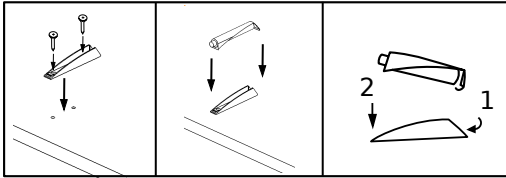
4	4	2
		
8.0x35	D	B
		S3



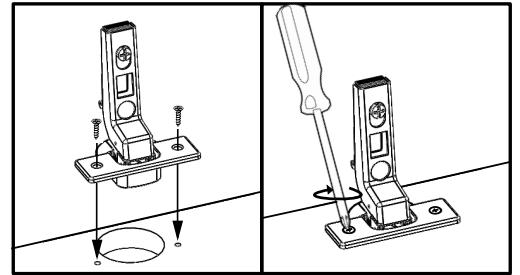
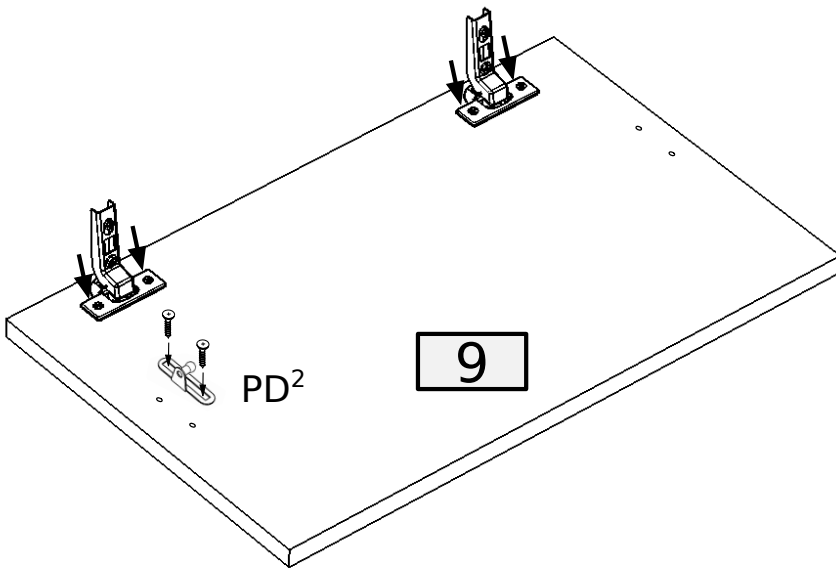
9





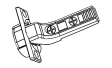
1	6
	
PTS	A



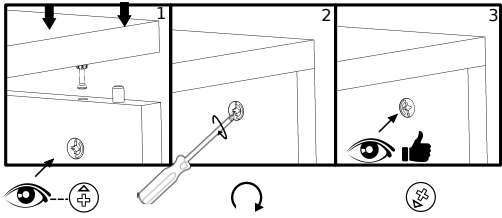
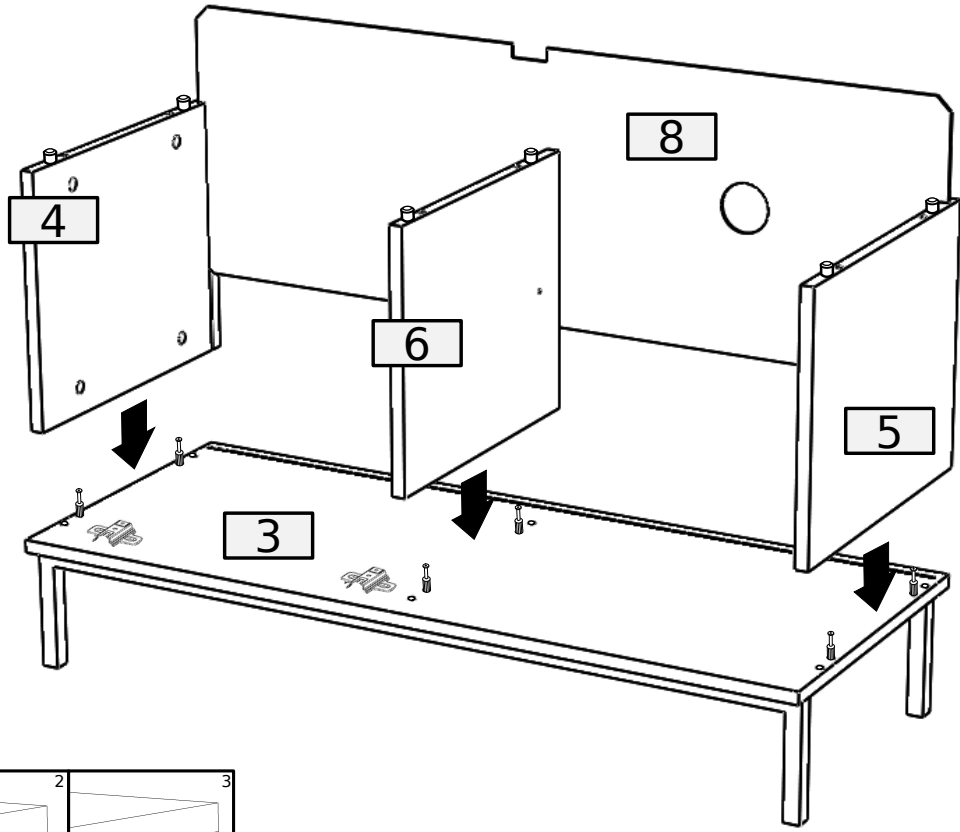
10



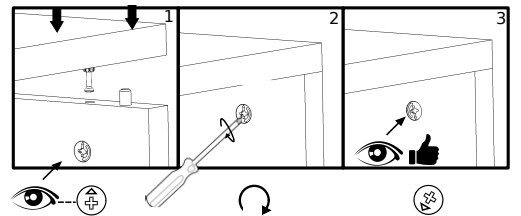
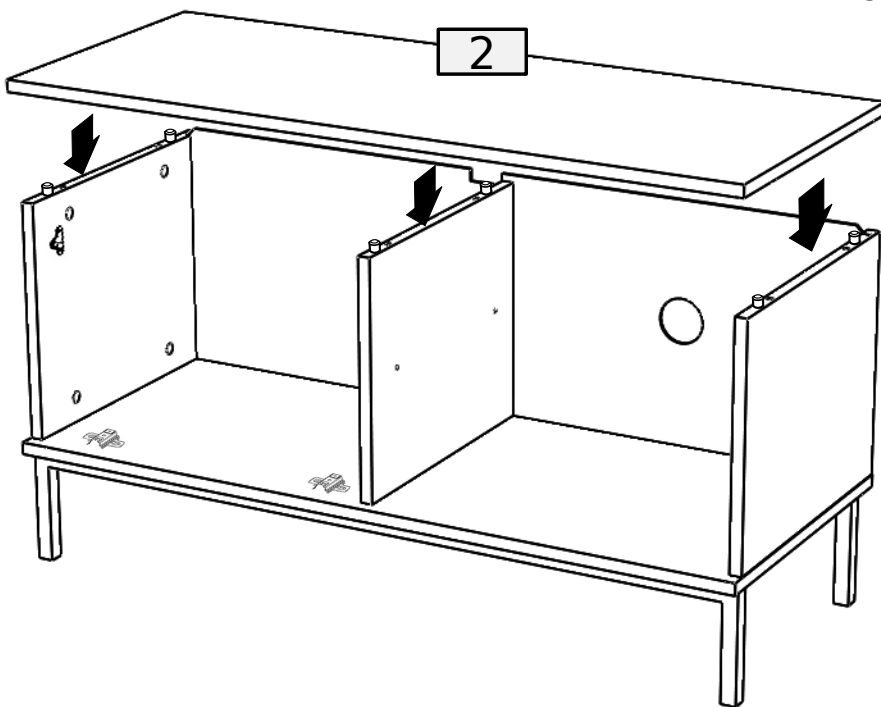
1

PD ² PD ³ PD ¹ PDD

	
3.5x16 W2	Z
4	2

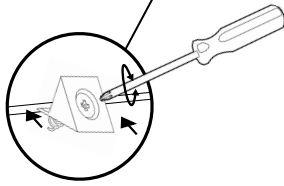
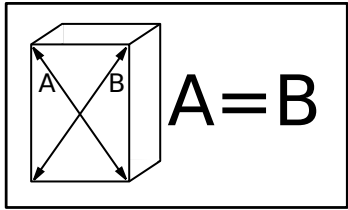
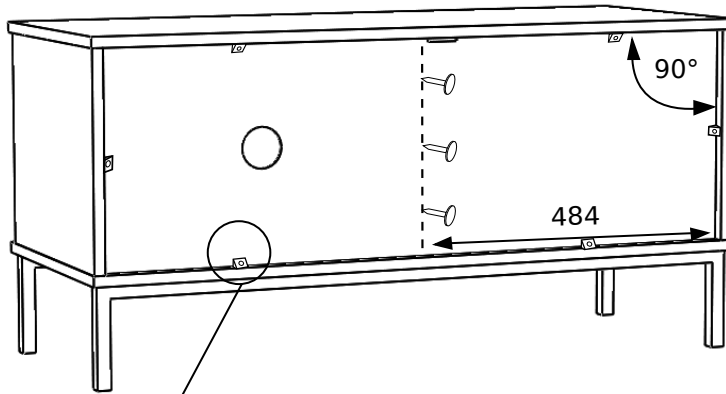
11



12

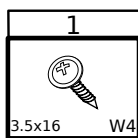
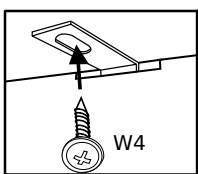
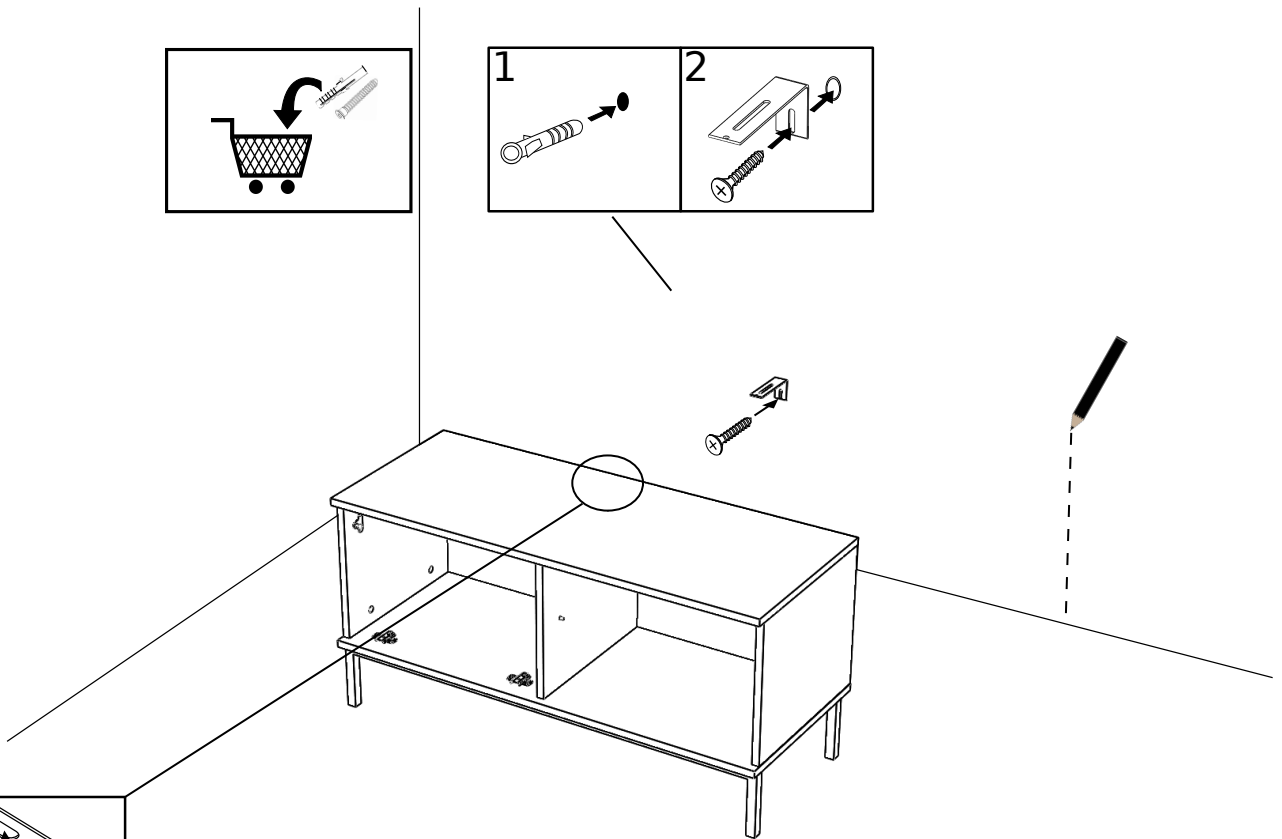
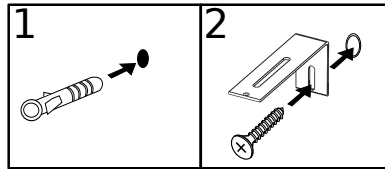
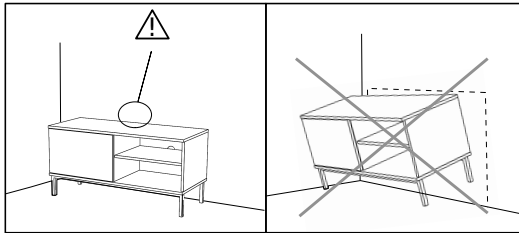


13

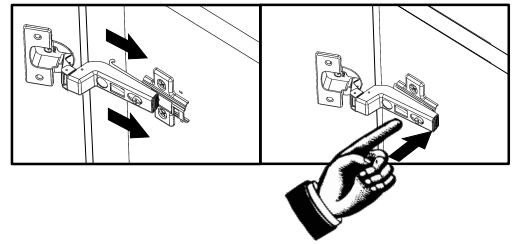
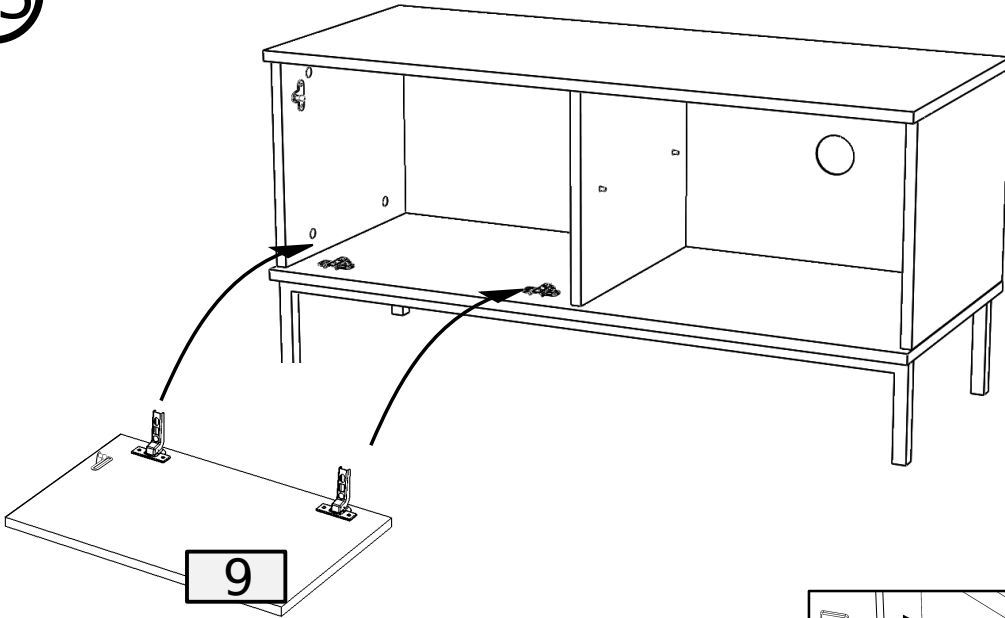


3	6
G	I

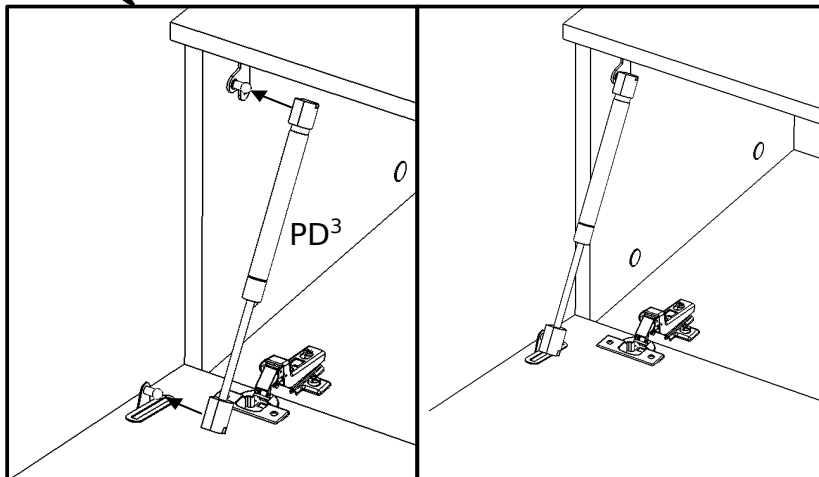
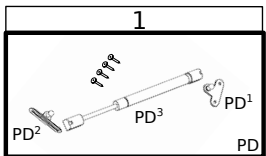
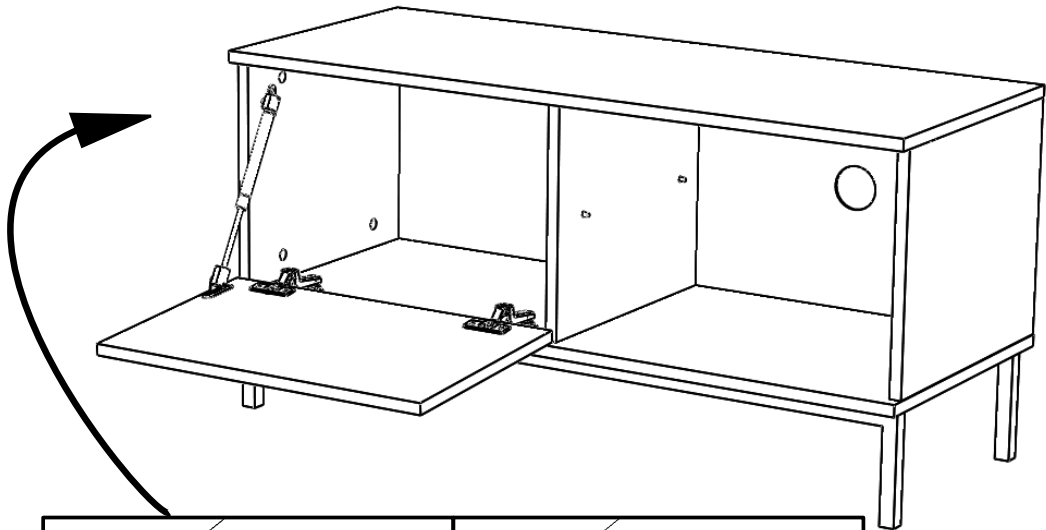
14



15



16



17

