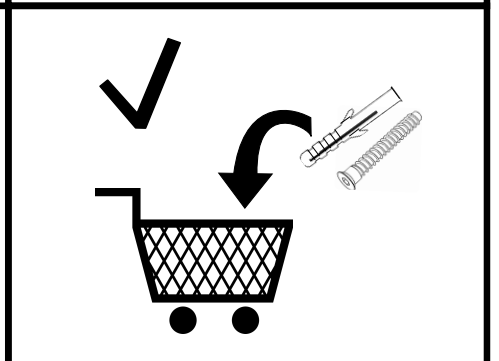
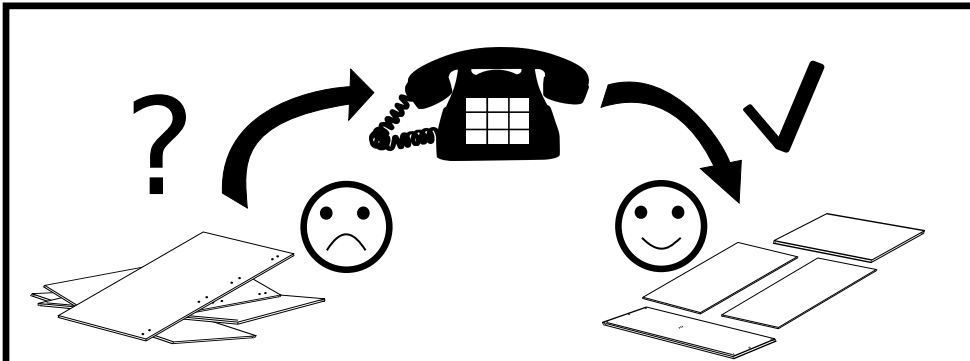
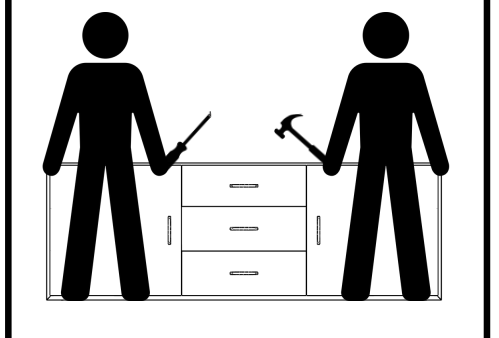
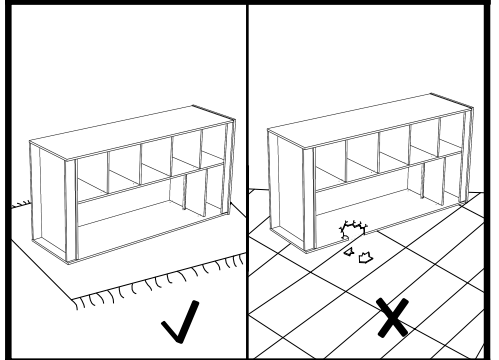
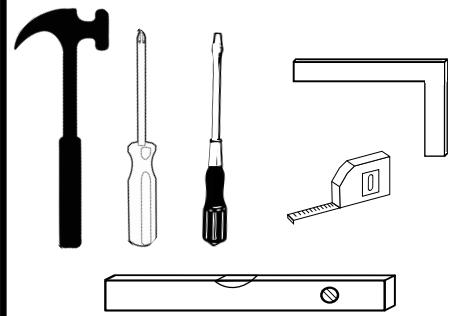
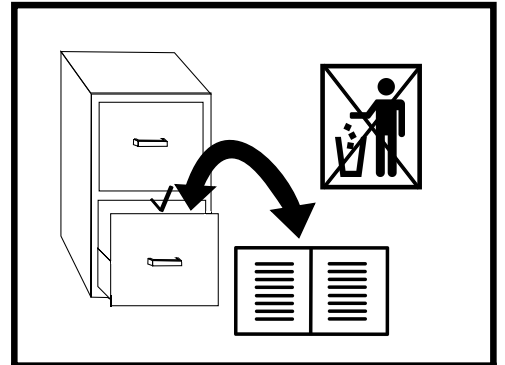
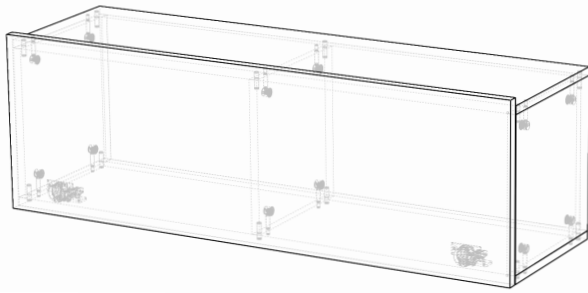

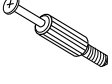



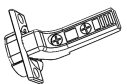

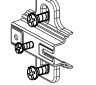
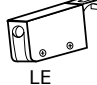
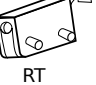

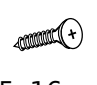

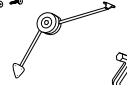
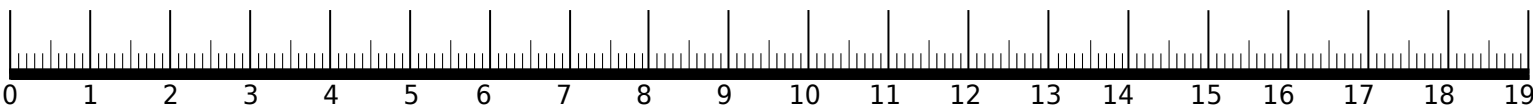
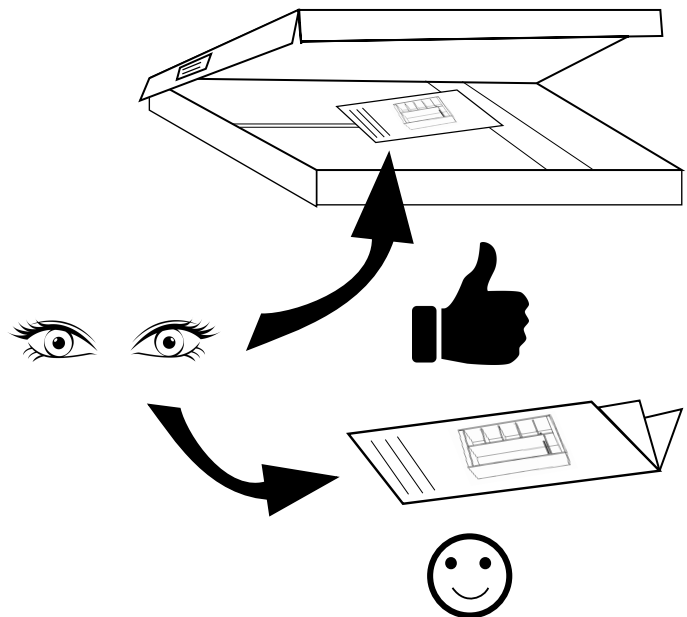
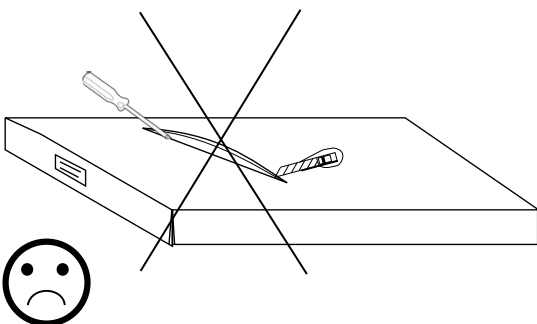
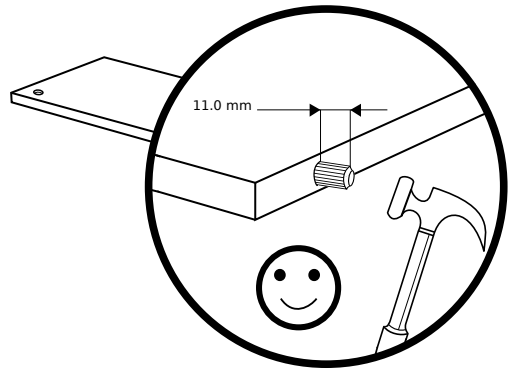
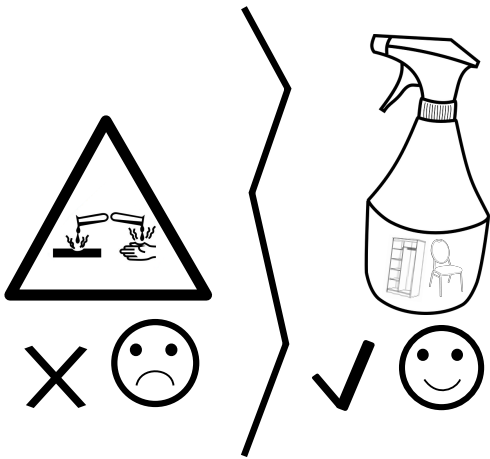
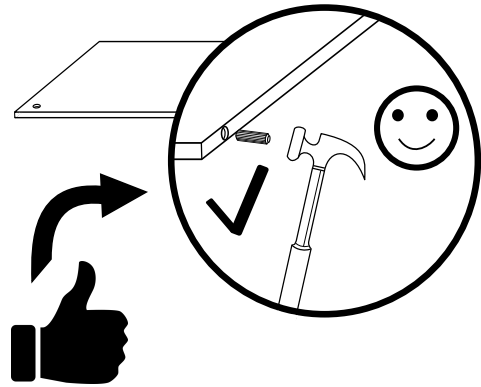
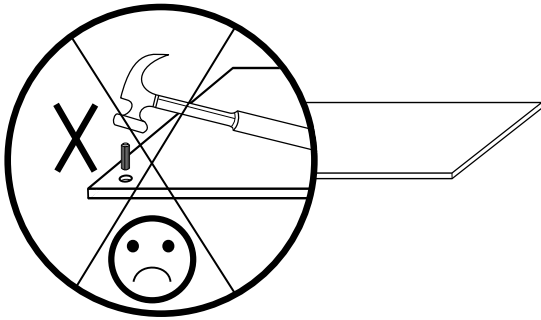
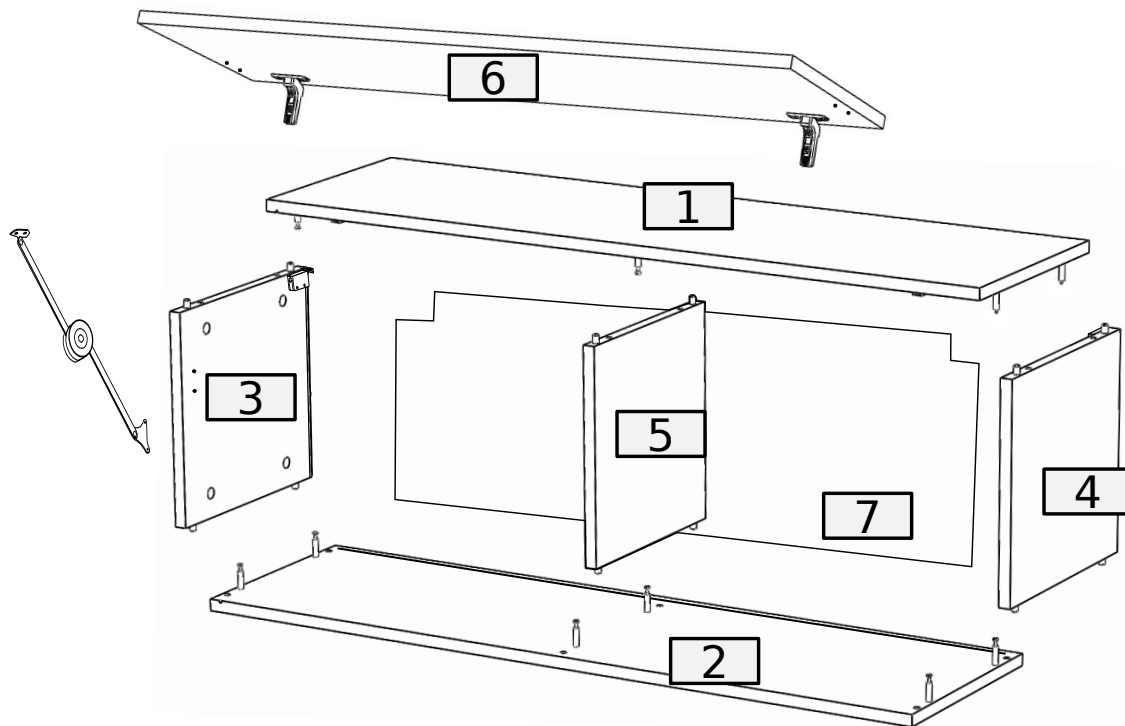


A
B

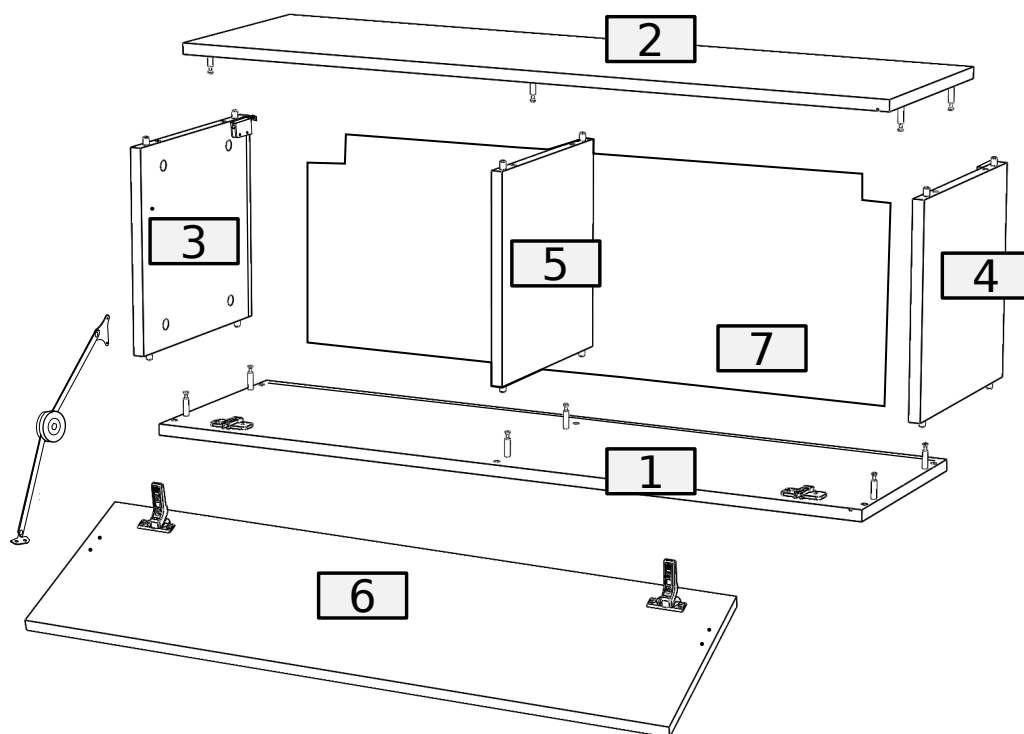


12	12	12	4	12	2	8
 B	 A	 8.0x35	 D 4.0x30	 P1	 X	 Z
 L	 LE	 RT	 W	 W3	 3.5x16	 HK
2	1		2	4		1



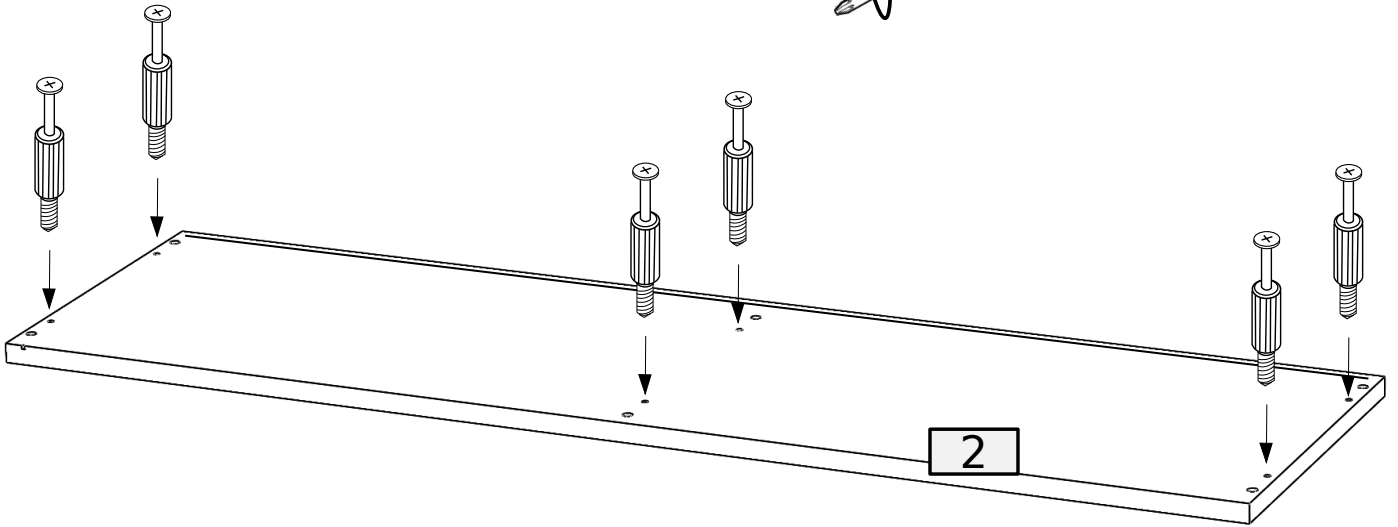
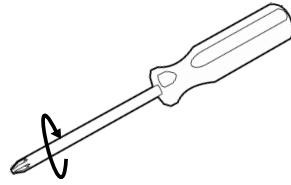
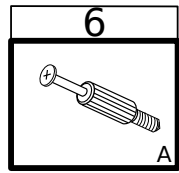


A
B

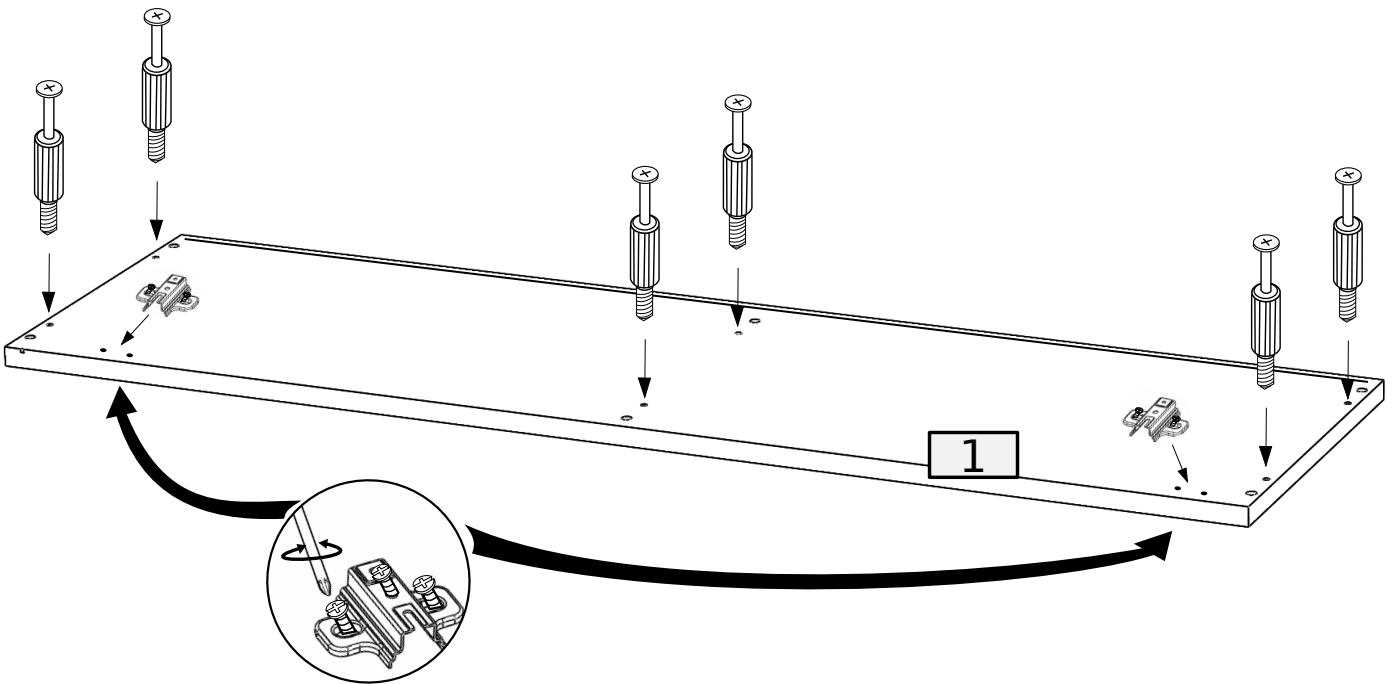
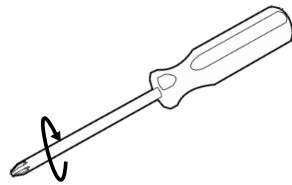
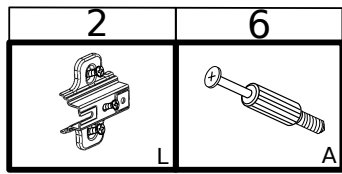


1	1	1050	300	16	-	1/1
2	1	1050	300	16	-	1/1
3	1	293	300	16	-	1/1
4	1	293	300	16	-	1/1
5	1	293	280	16	-	1/1
6	1	1046	340	16	15	1/1
7	1	1032	307	3	-	1/1

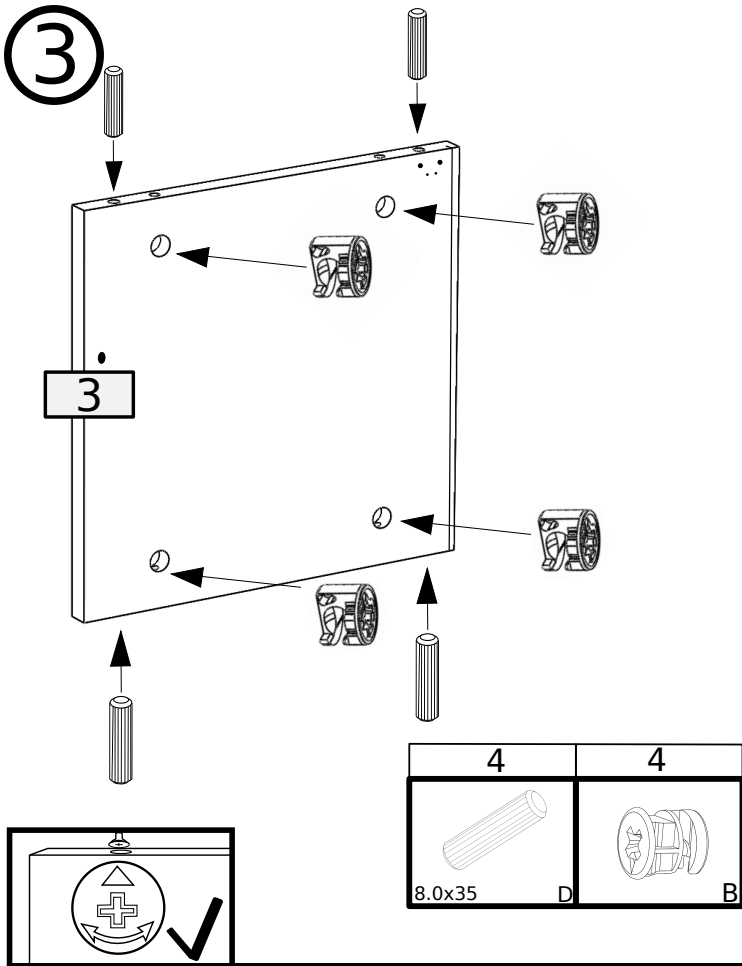
1


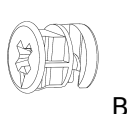


2

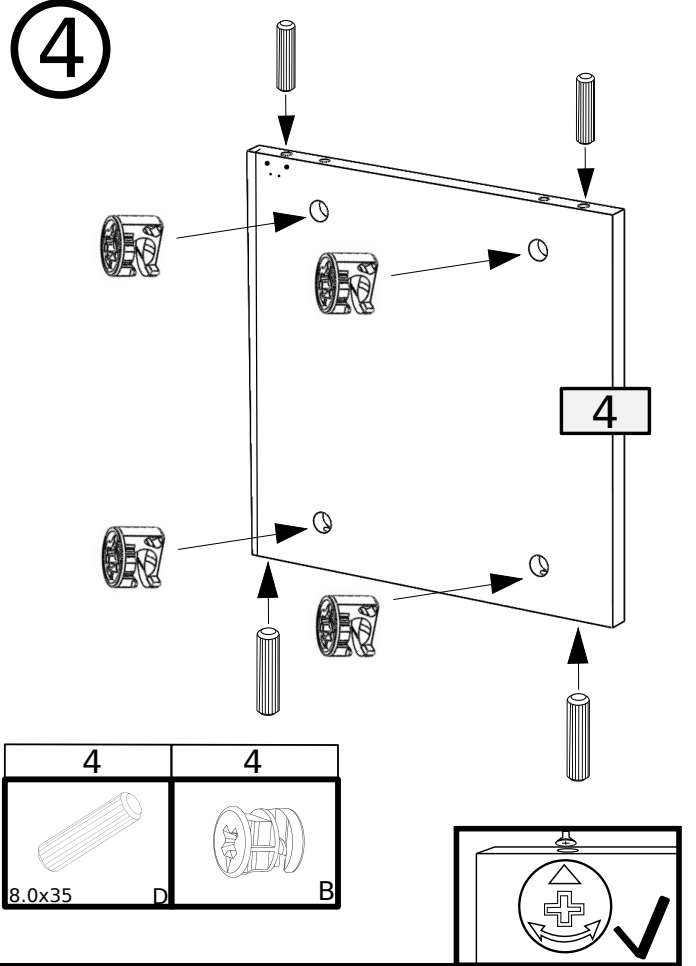


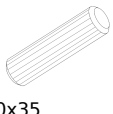
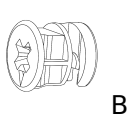
3



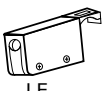

4	4
	
8.0x35	D B

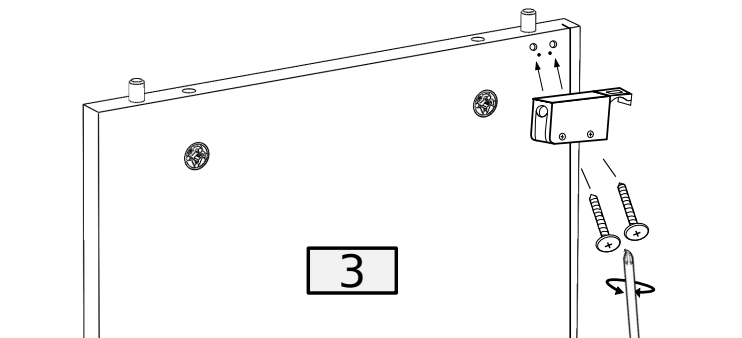
4



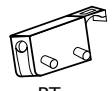

4	4
	
8.0x35	D B

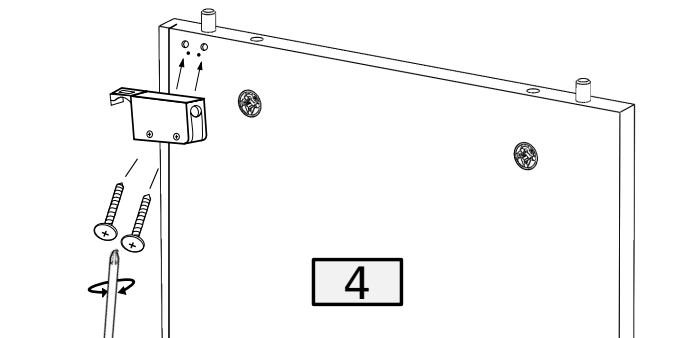
5

1	2
	
LE	W 4.0x30 P1

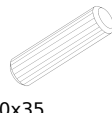
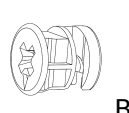


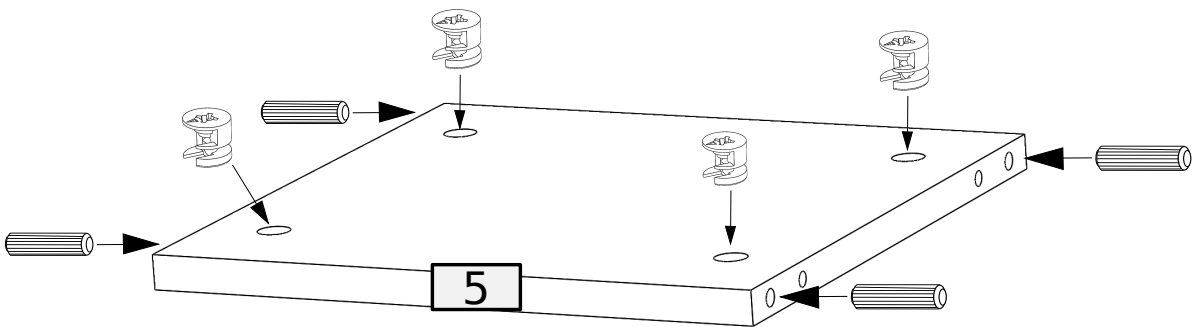
6

1	2
	
RT	W 4.0x30 P1

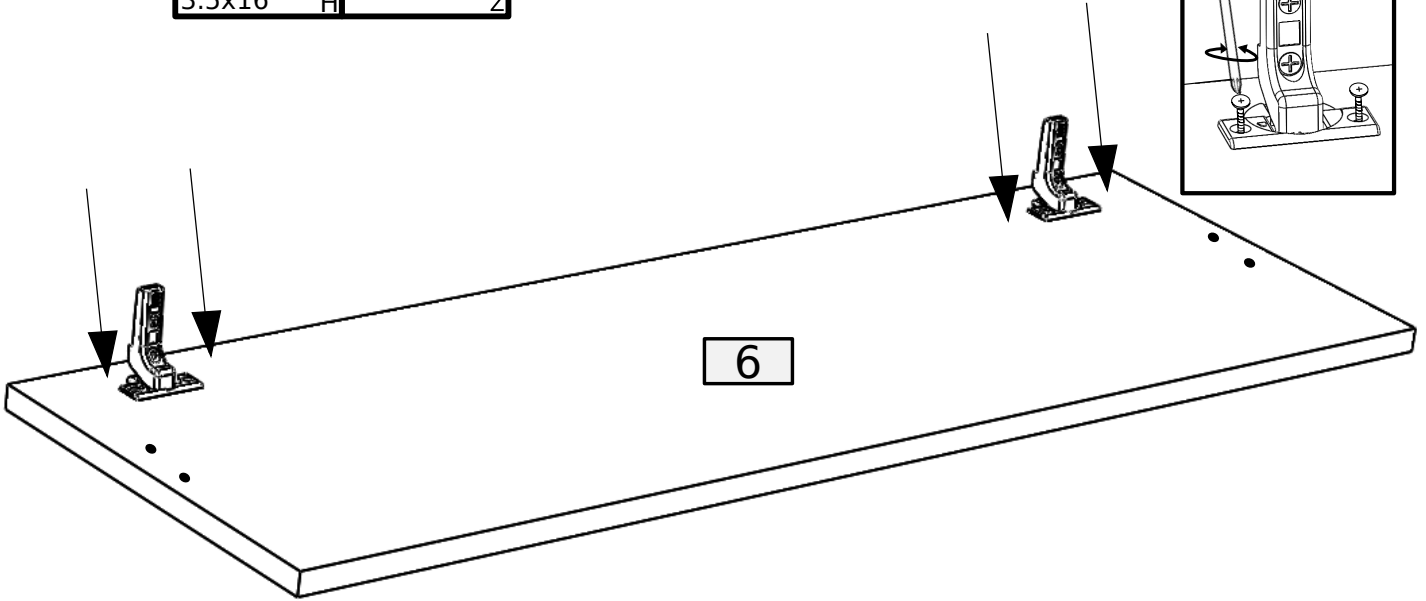
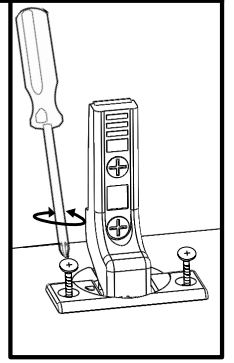
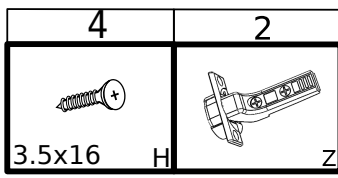


7

4	4
	
8.0x35	D B

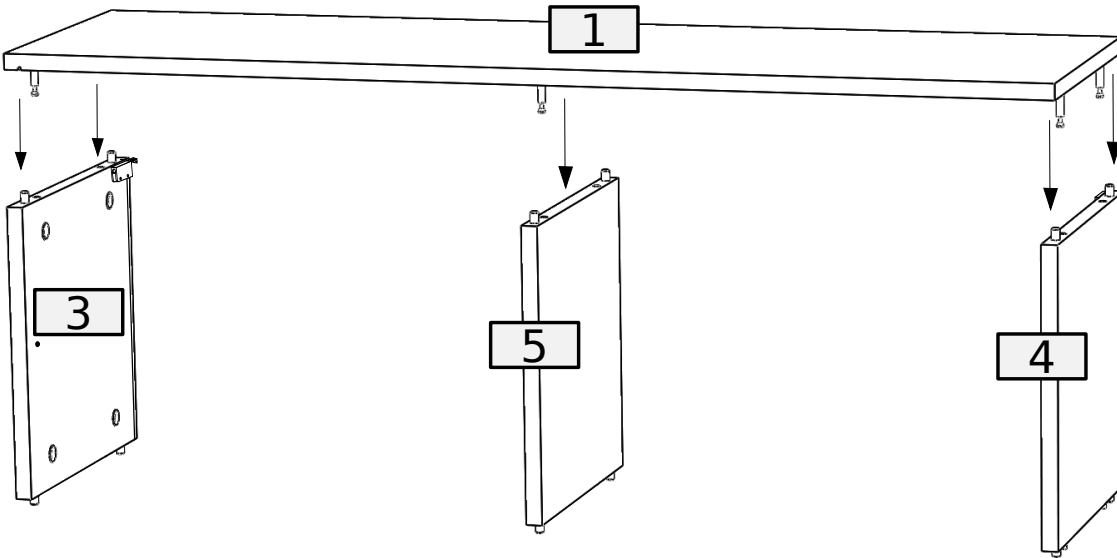


8

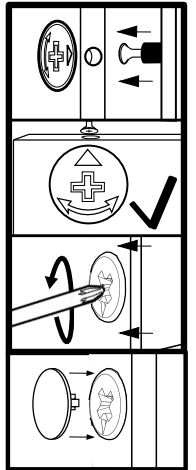


"A"

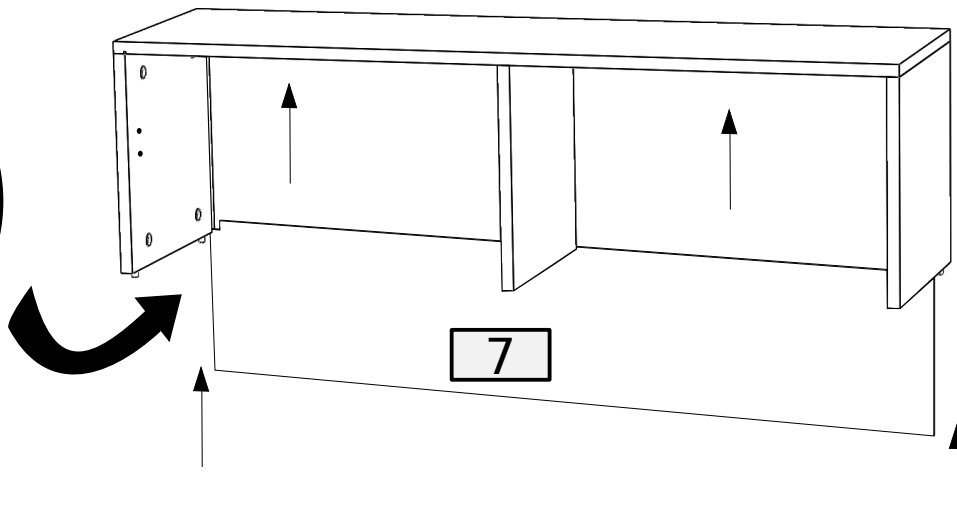
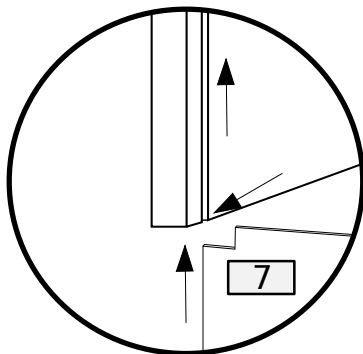
9



A

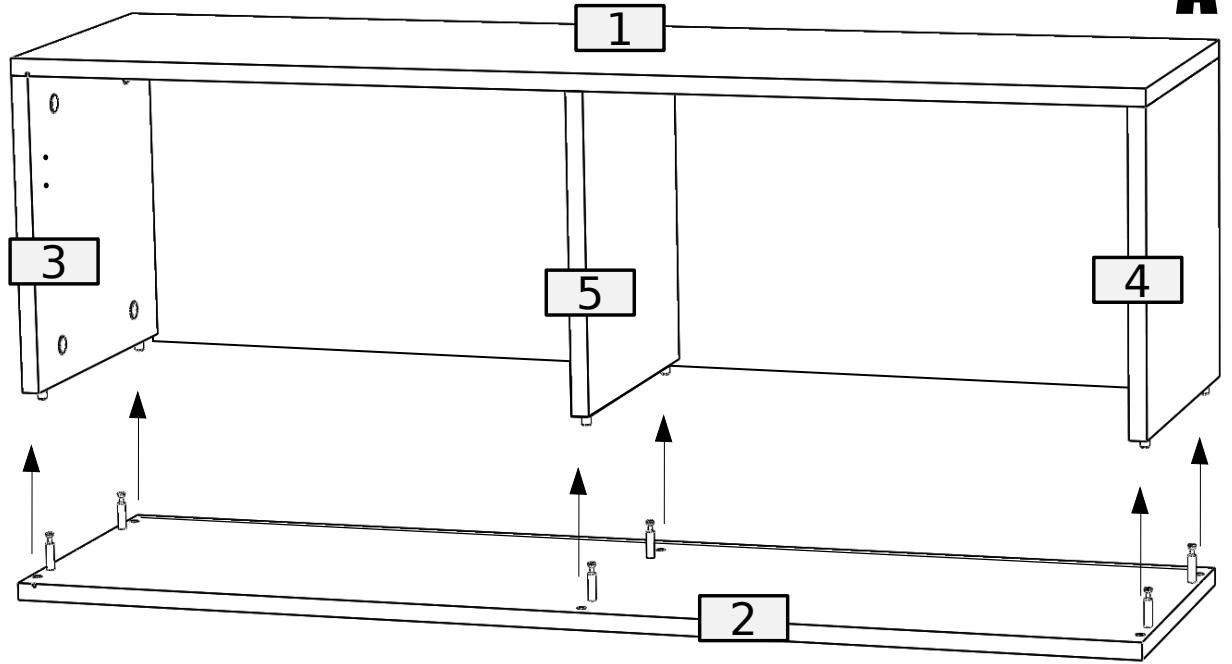
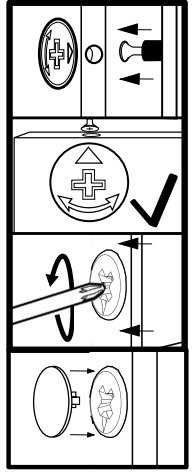


10



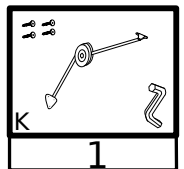
A

11

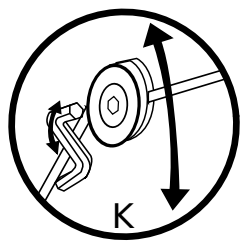
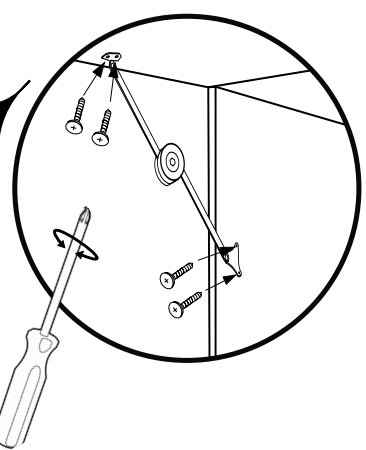
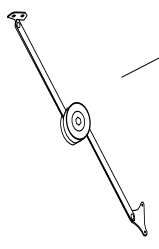
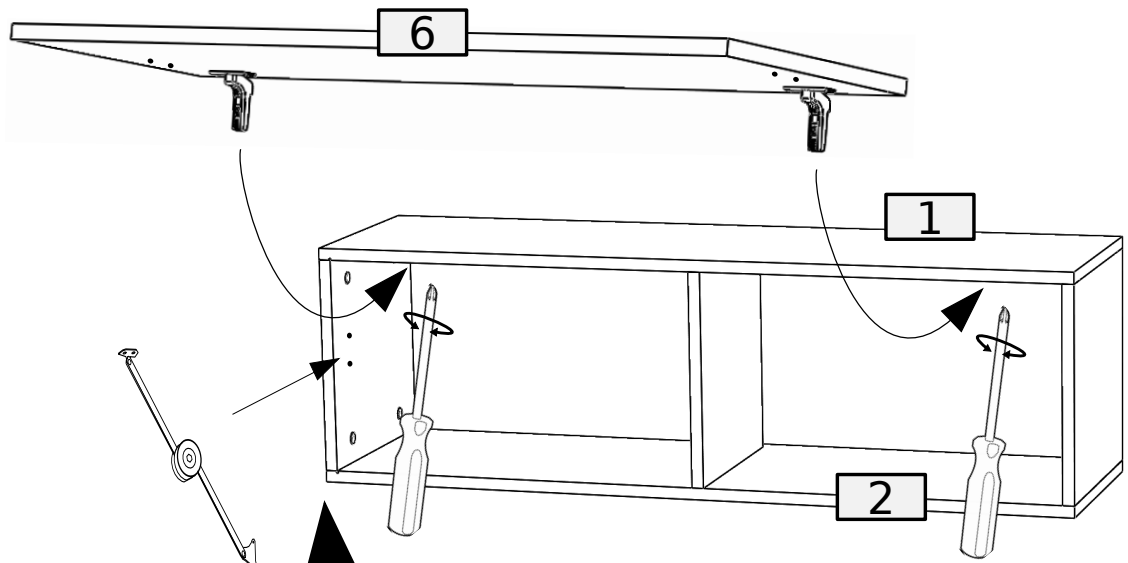


A

12

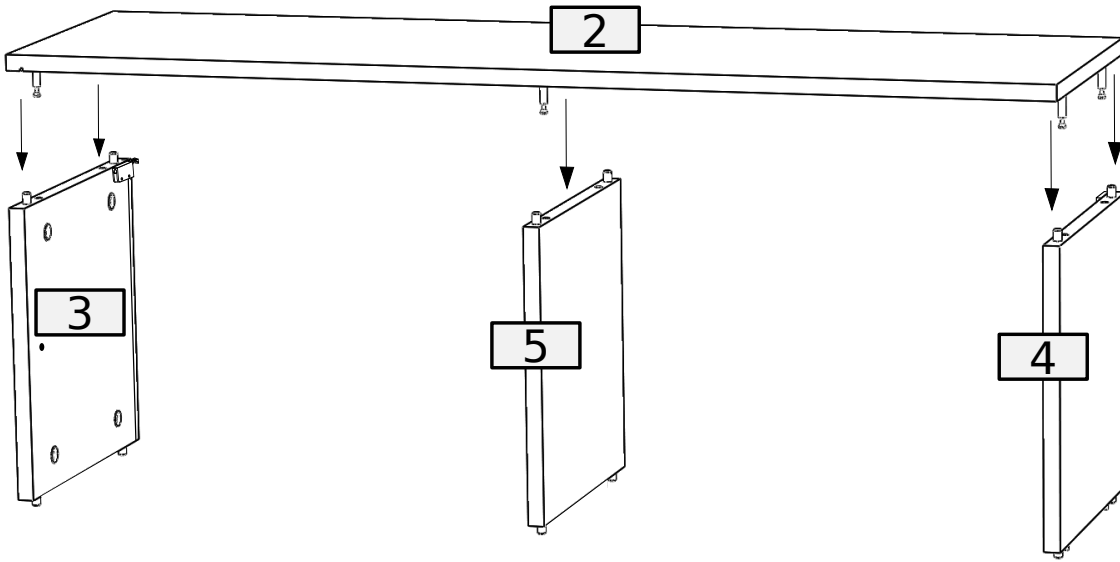


A



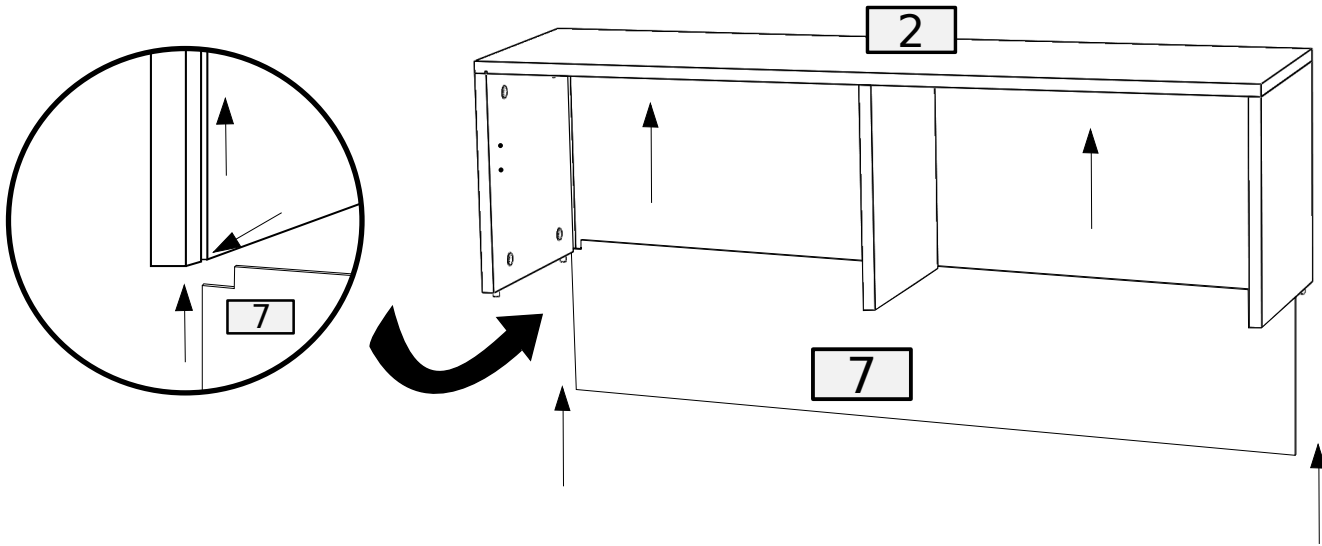
9

B



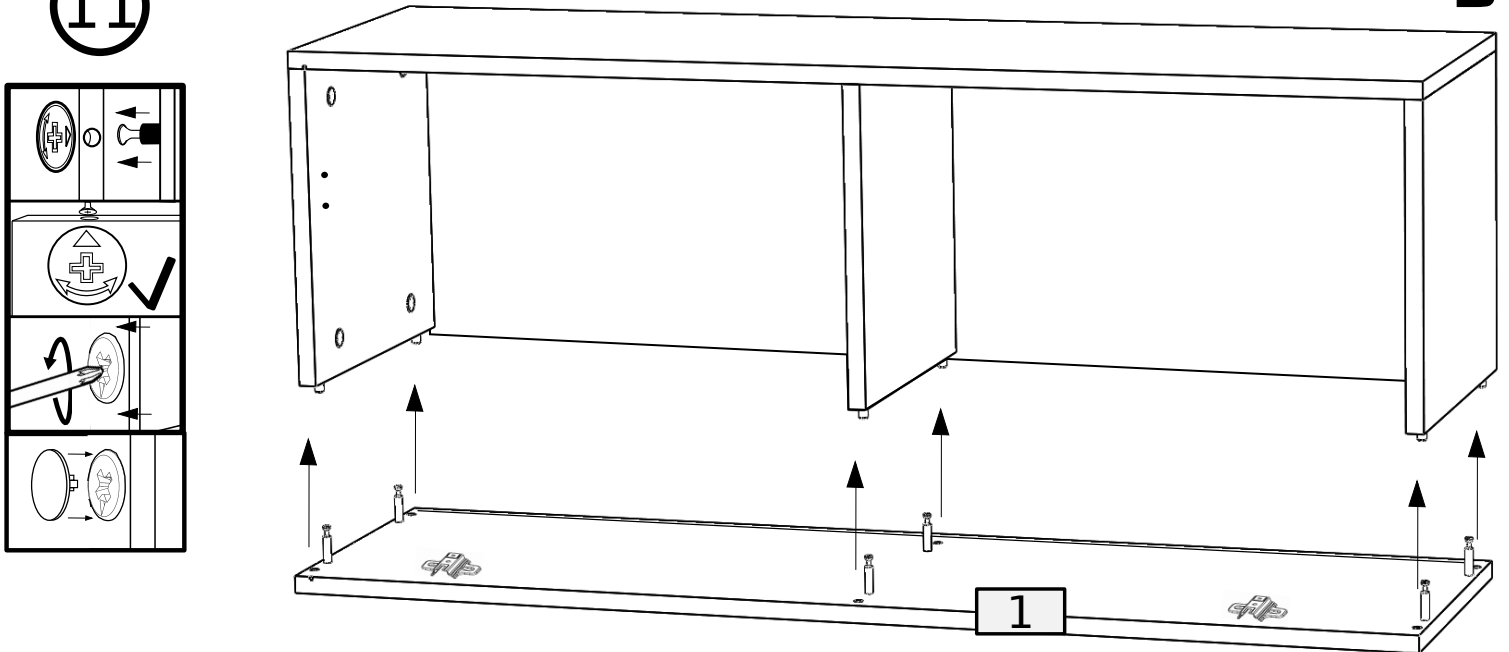
10

B



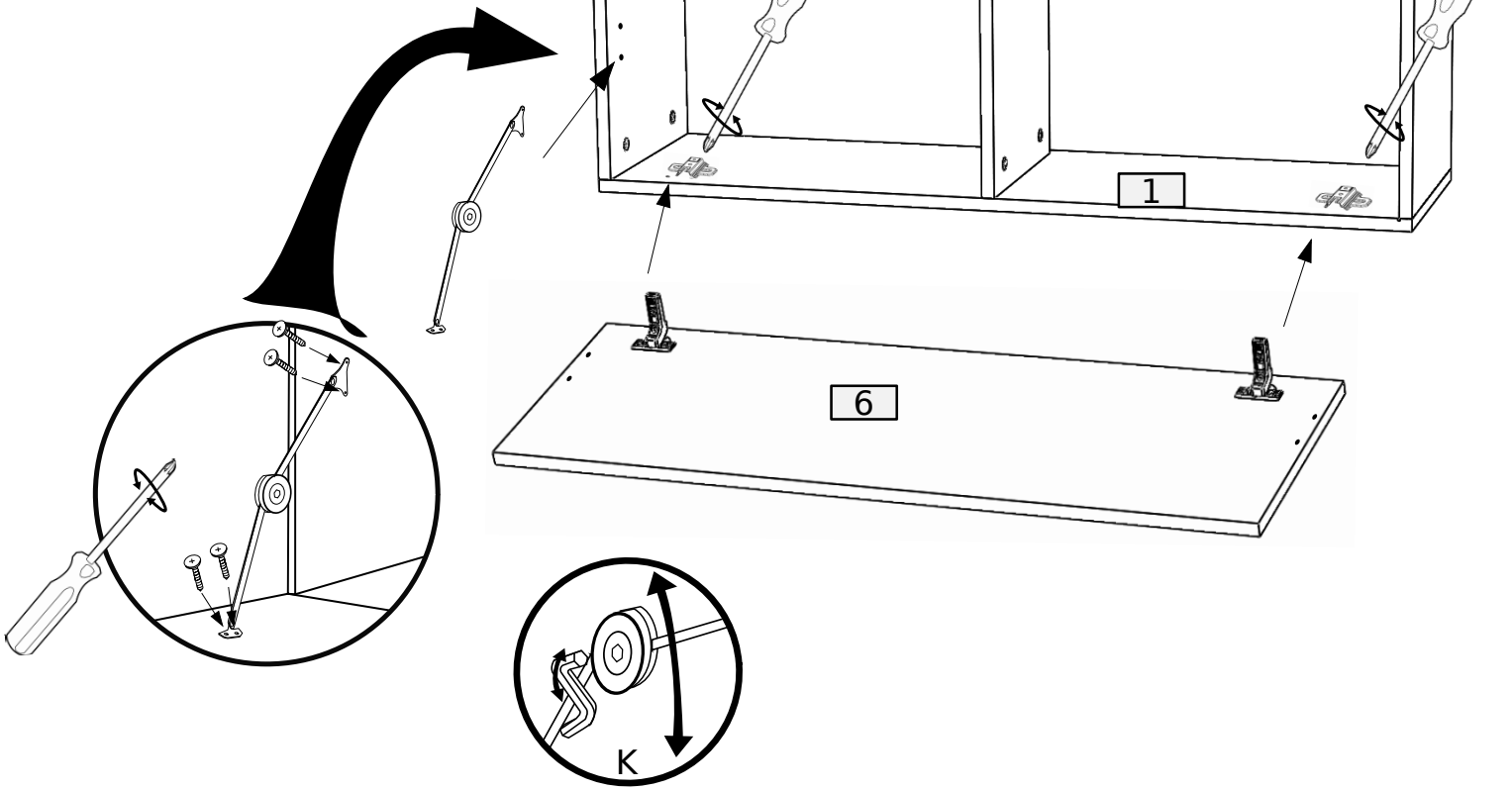
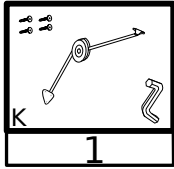
11

B

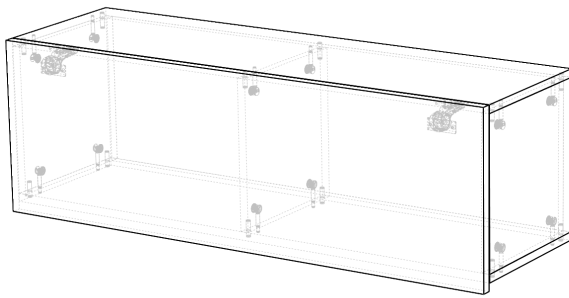


12

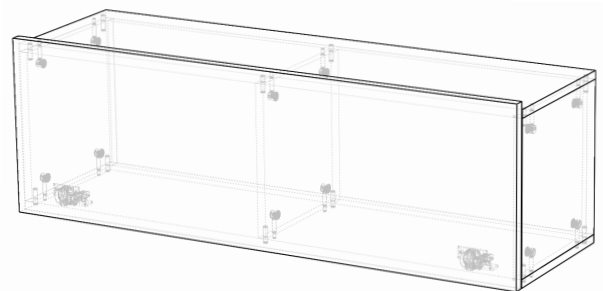
B



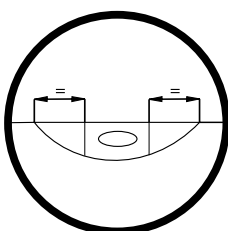
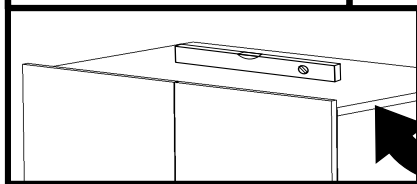
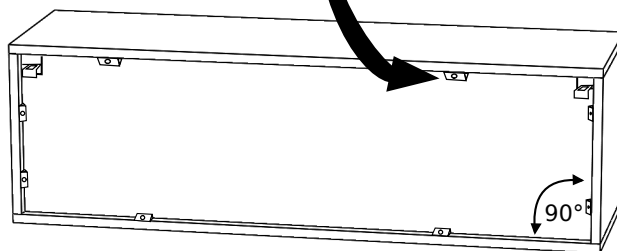
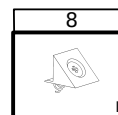
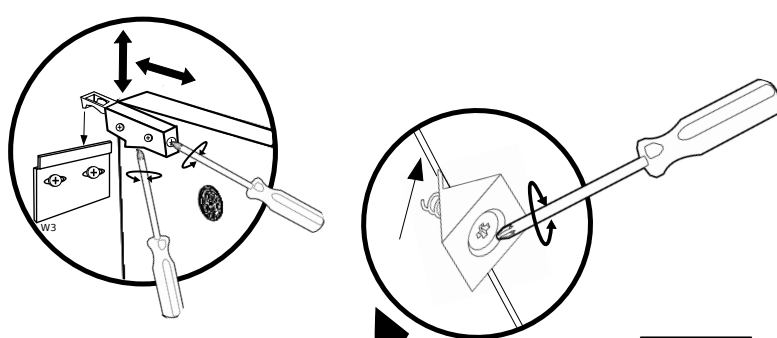
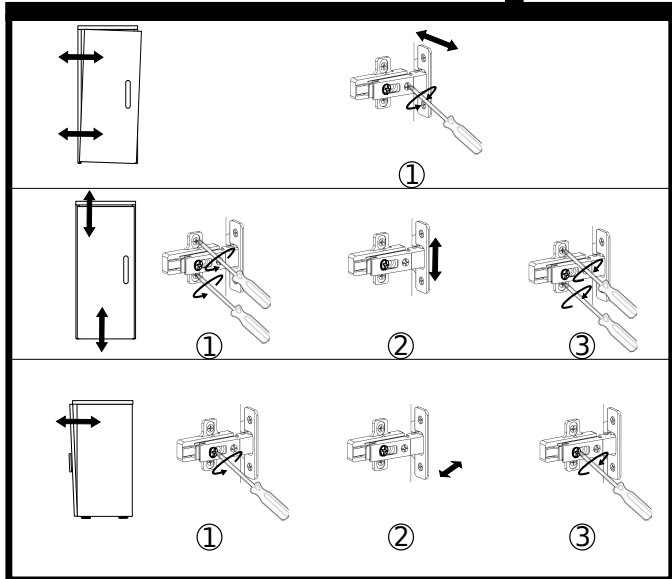
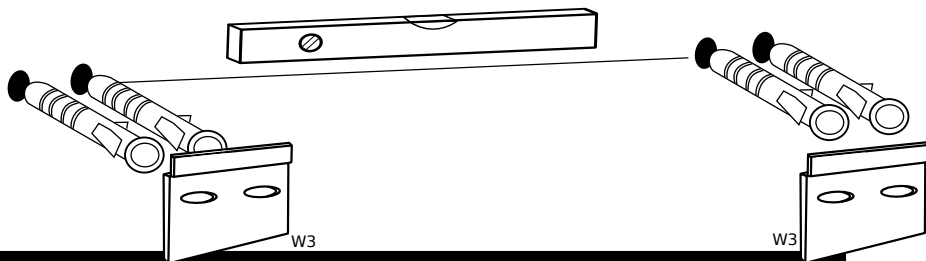
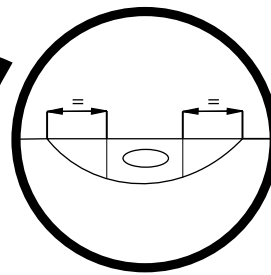
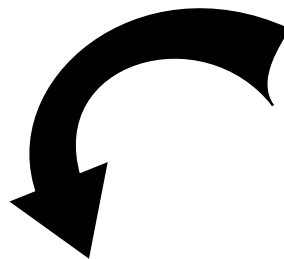
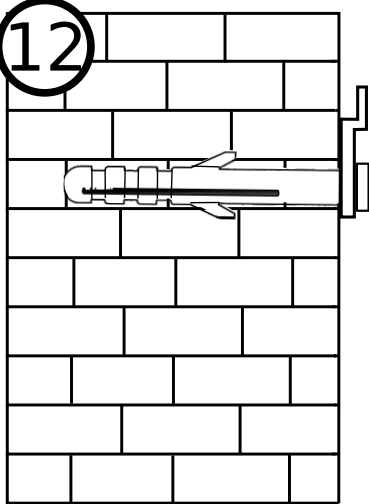
A



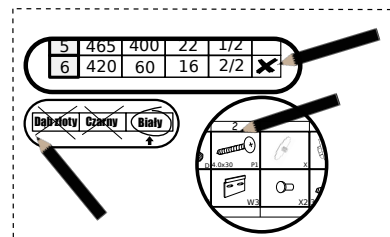
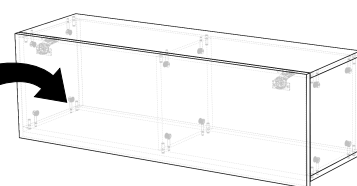
B



12



5 kg



No.		L	W	T	T	
1	1	1050	300	16	-	1/1
2	1	1050	300	16	-	1/1
3	1	293	300	16	-	1/1
4	1	293	300	16	-	1/1
5	1	293	280	16	-	1/1
6	1	1046	340	16	15	1/1
7	1	1032	307	3	-	1/1

B	A	8.0x35	D	4.0x30	P1	X
L	LE	RT	W	W3	3.5x16	H