







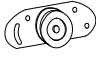
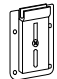

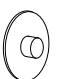




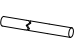




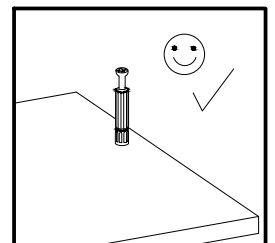
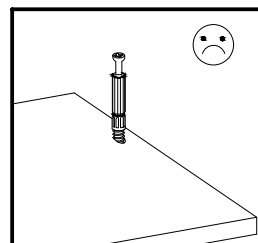
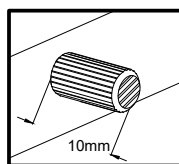
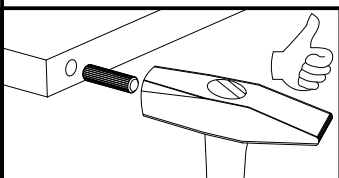
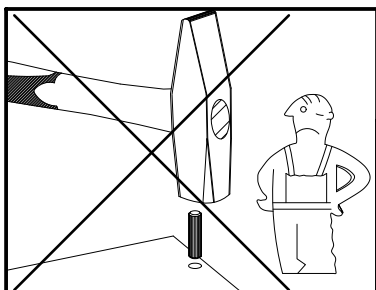
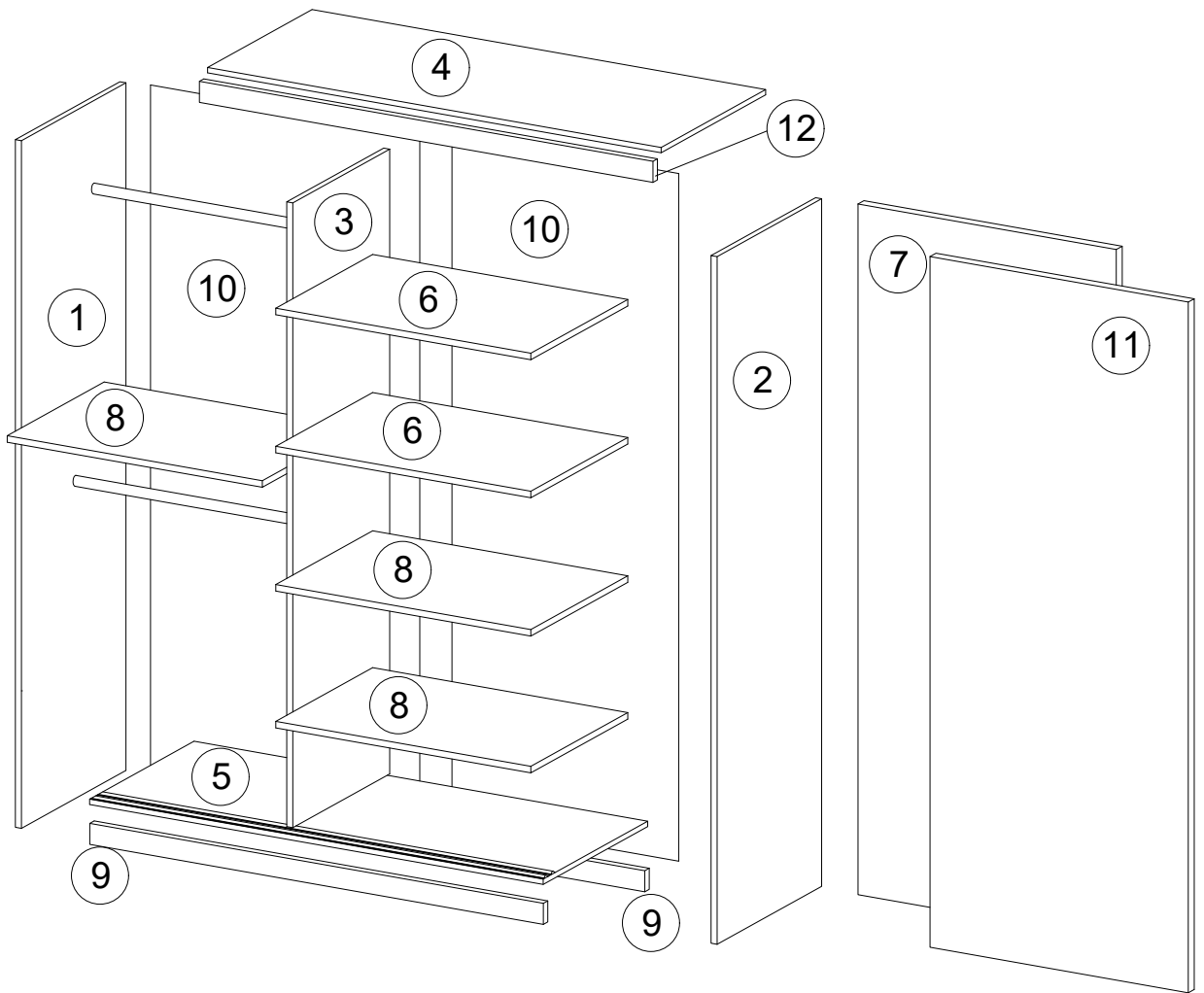


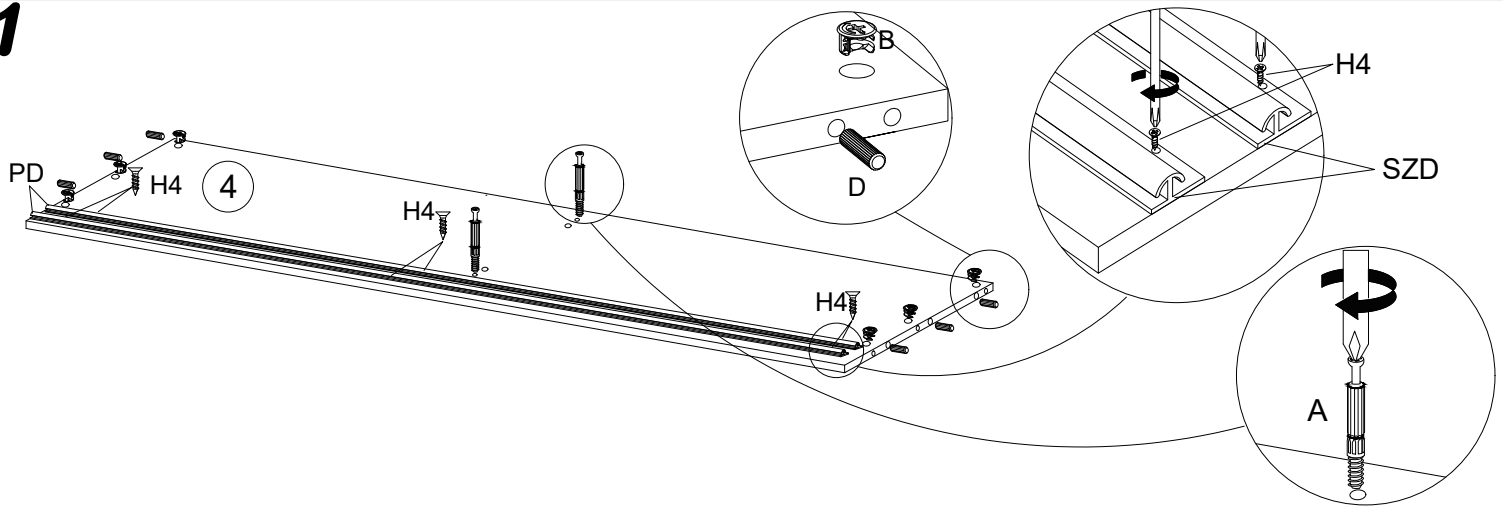
| | | | | | | | | | | |
|--|---|--|---|--|--|---|---|--|---|--|
| 8.0x35  D 16 | 4.0x25  G 4 |  Y 12 |  A 28 |  B 28 | 3.5x16  H 24 |  V 12 |  N 4 |  K2 4 |  K1 4 |  S3 8 |
|  X 20 |  F 2 |  S 19 |  S1 40 |  I 30 | L-465  V1 2 | 6.3x13  Q 8 |  J 8 |  PD 4 | 3.0x13  H4 12 | |



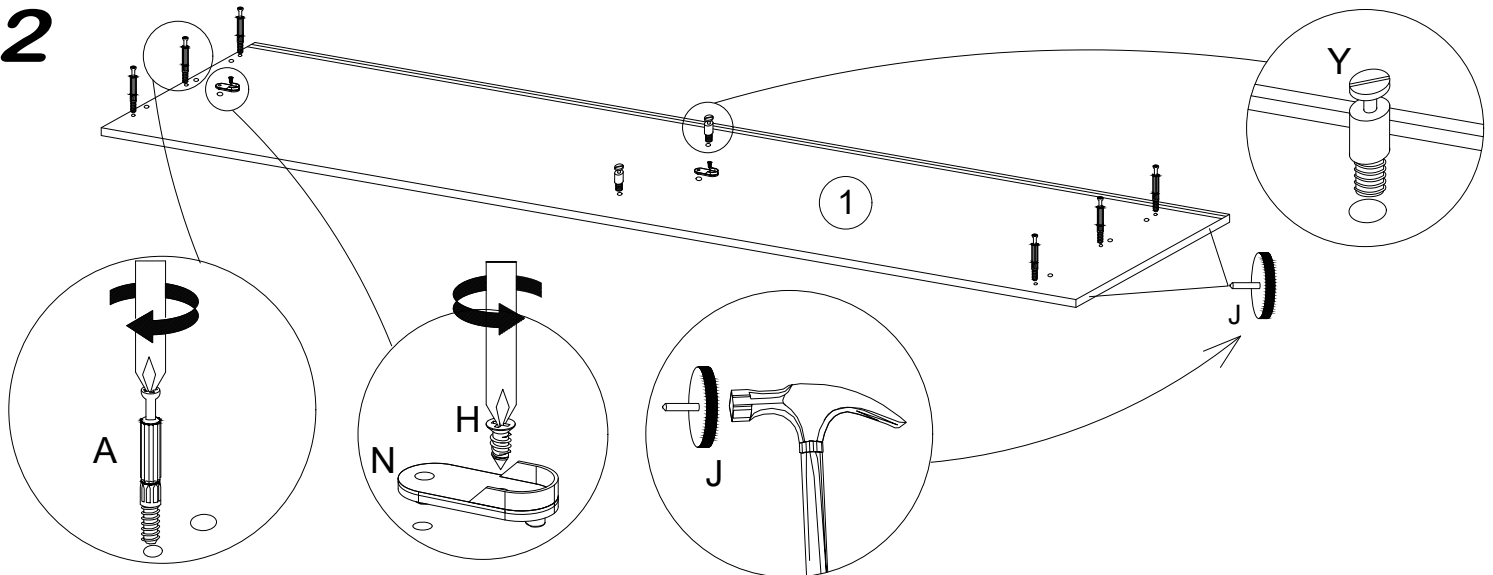
| No. | Pcs. | L | W | D |
|-----|------|------|-----|----|
| 1. | 1 | 2000 | 620 | 16 |
| 2. | 1 | 2000 | 620 | 16 |
| 3. | 1 | 1888 | 480 | 16 |
| 4. | 1 | 968 | 582 | 16 |
| 5. | 1 | 968 | 600 | 16 |
| 6. | 2 | 475 | 480 | 16 |
| 7. | 1 | 1873 | 500 | 16 |
| 8. | 3 | 475 | 480 | 16 |
| 9. | 2 | 968 | 80 | 16 |
| 10. | 2 | 1918 | 492 | 3 |
| 11. | 1 | 1873 | 500 | 16 |
| 12. | 1 | 968 | 70 | 16 |



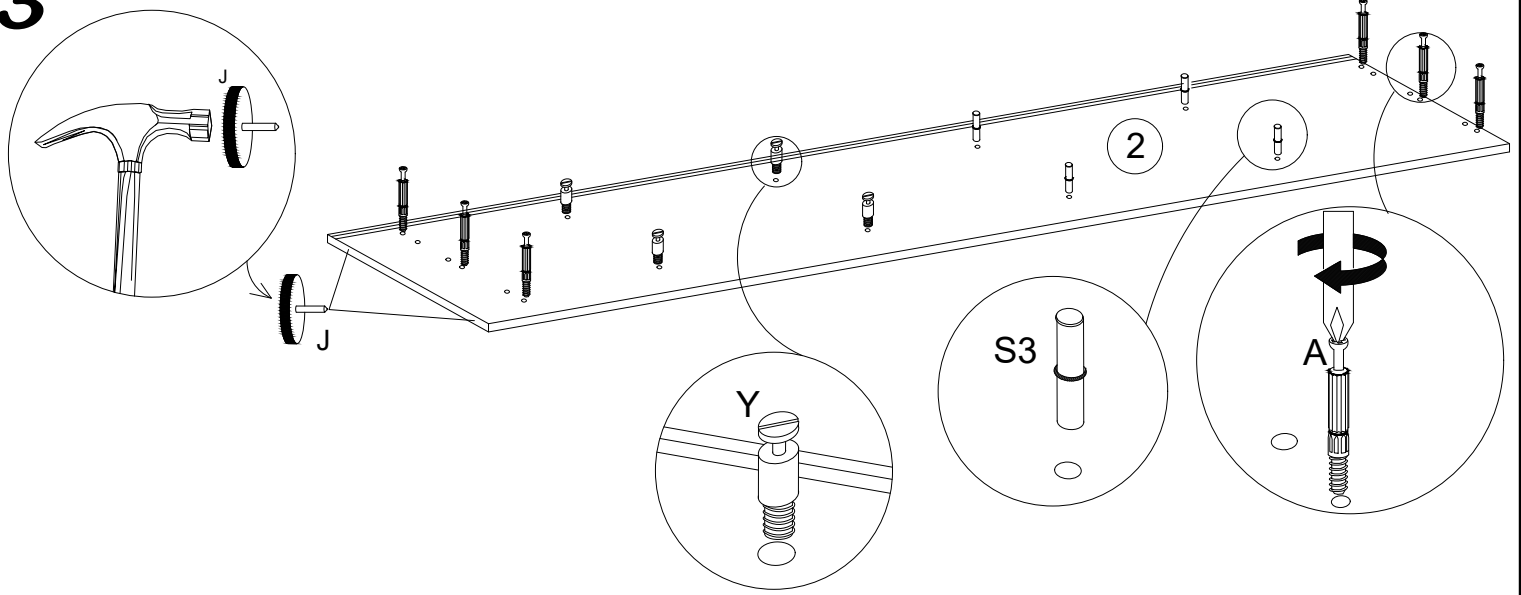
1



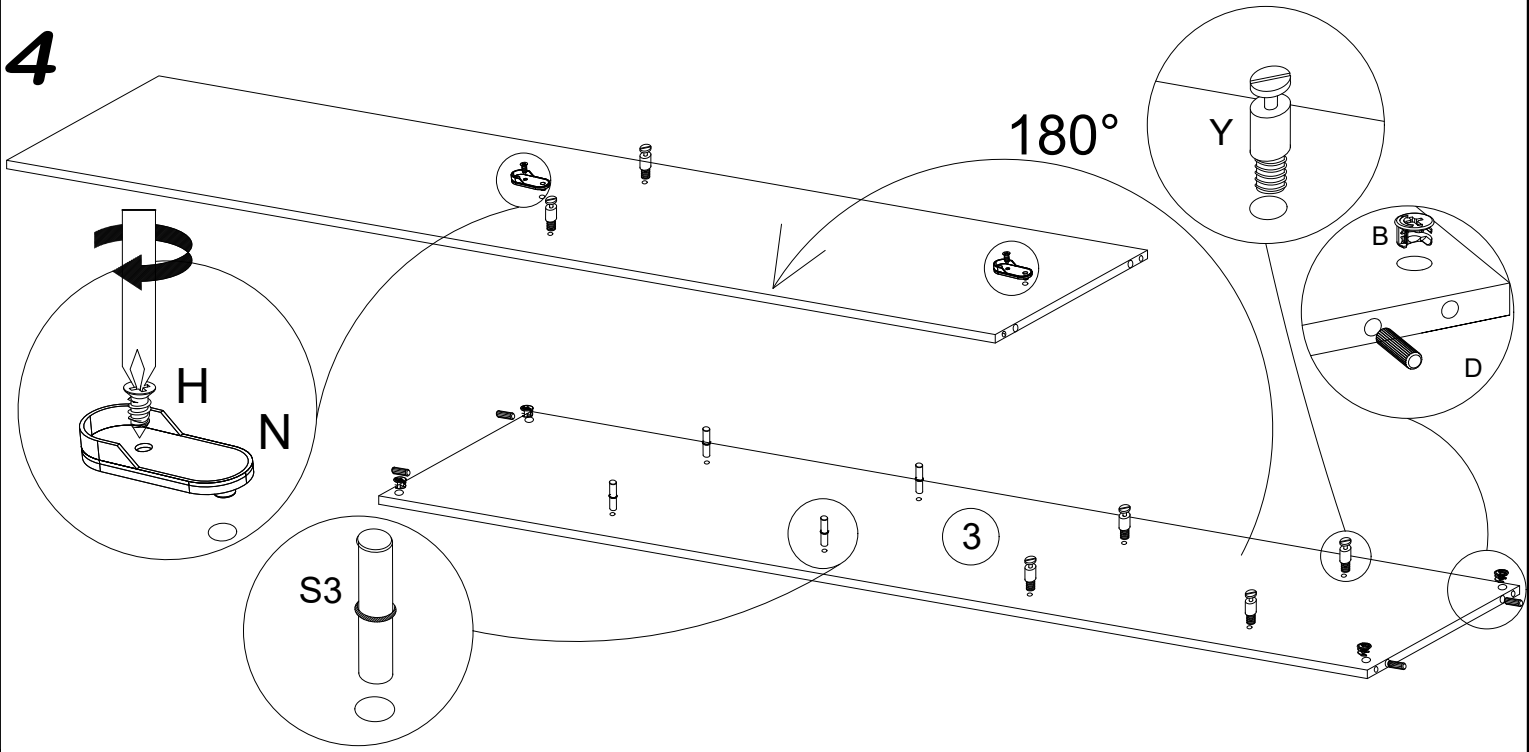
2



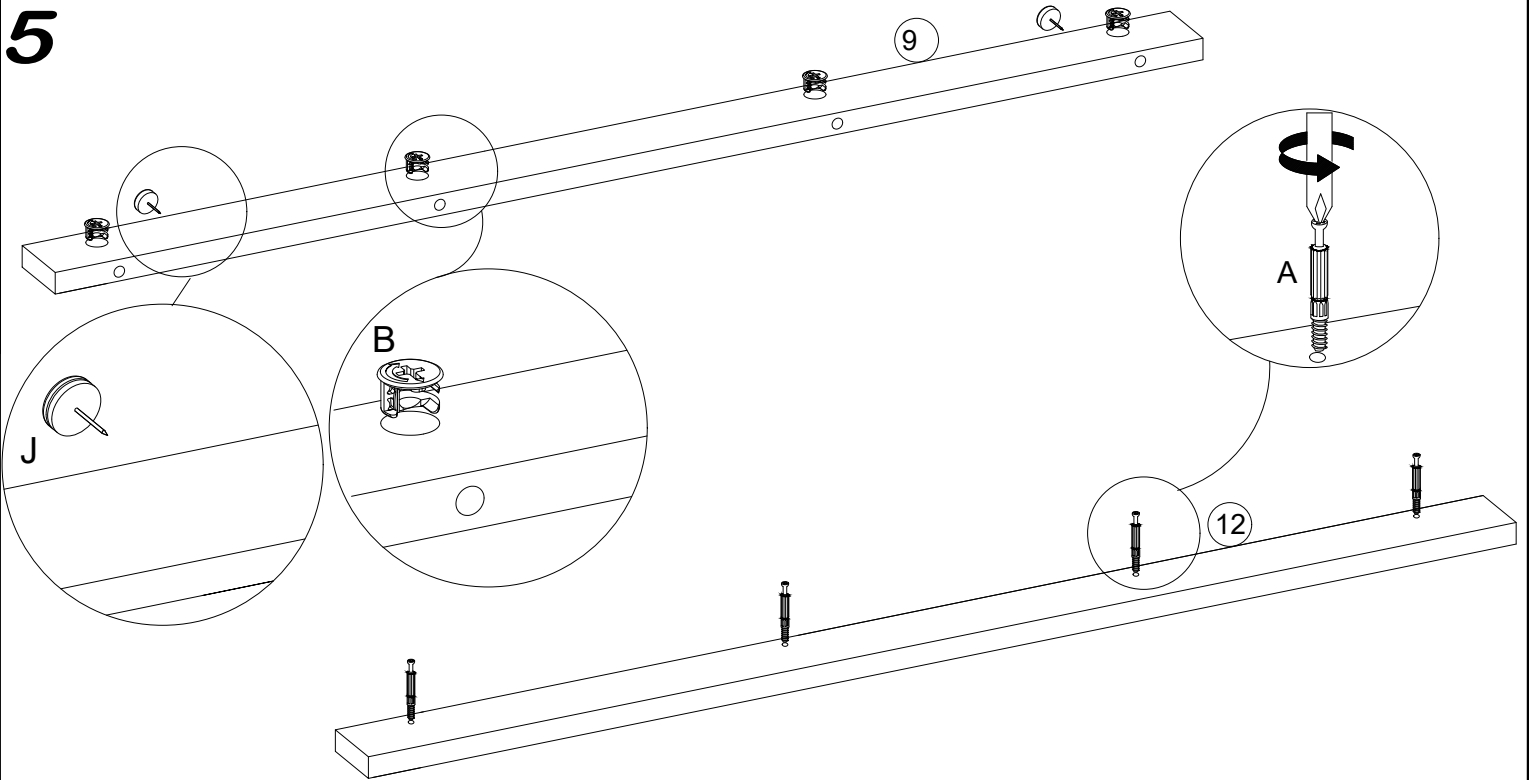
3



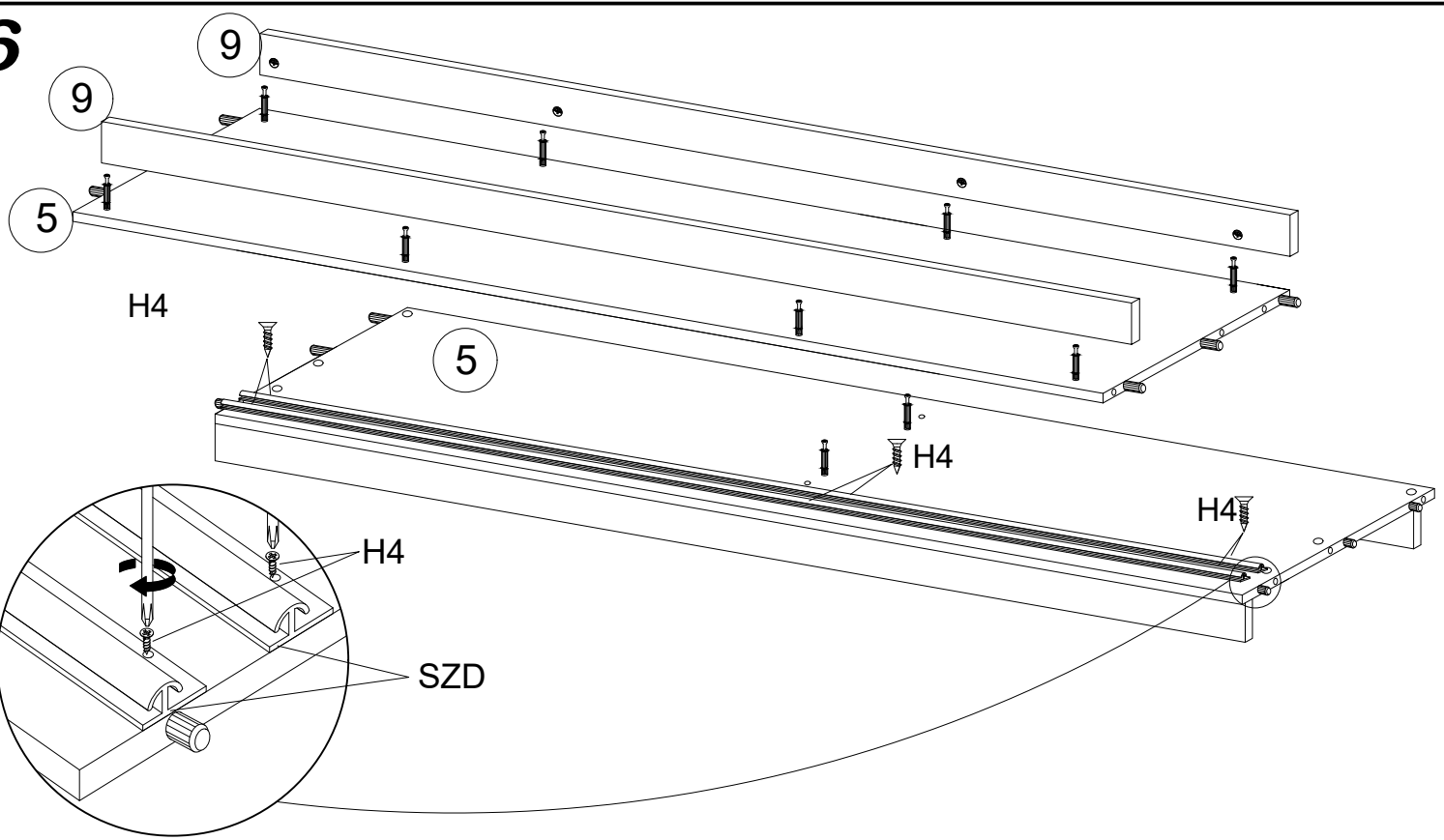
4



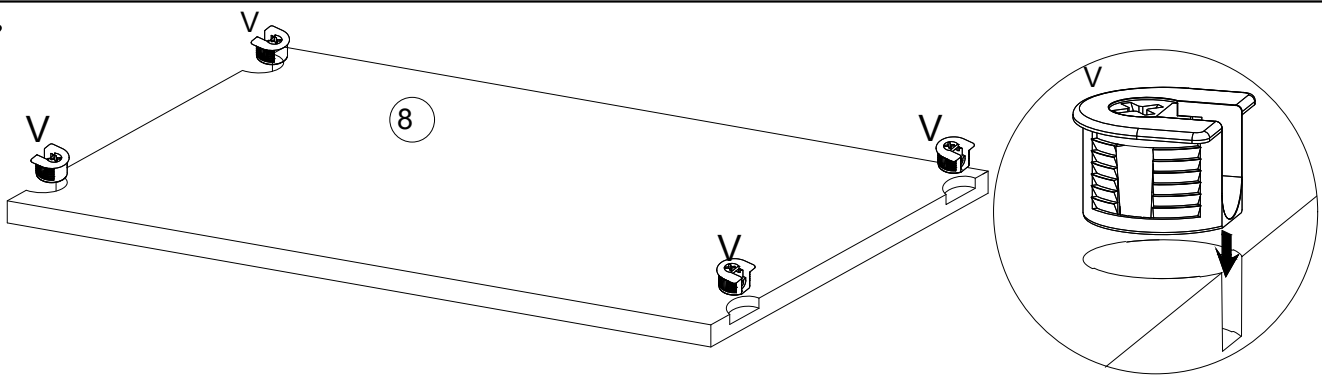
5



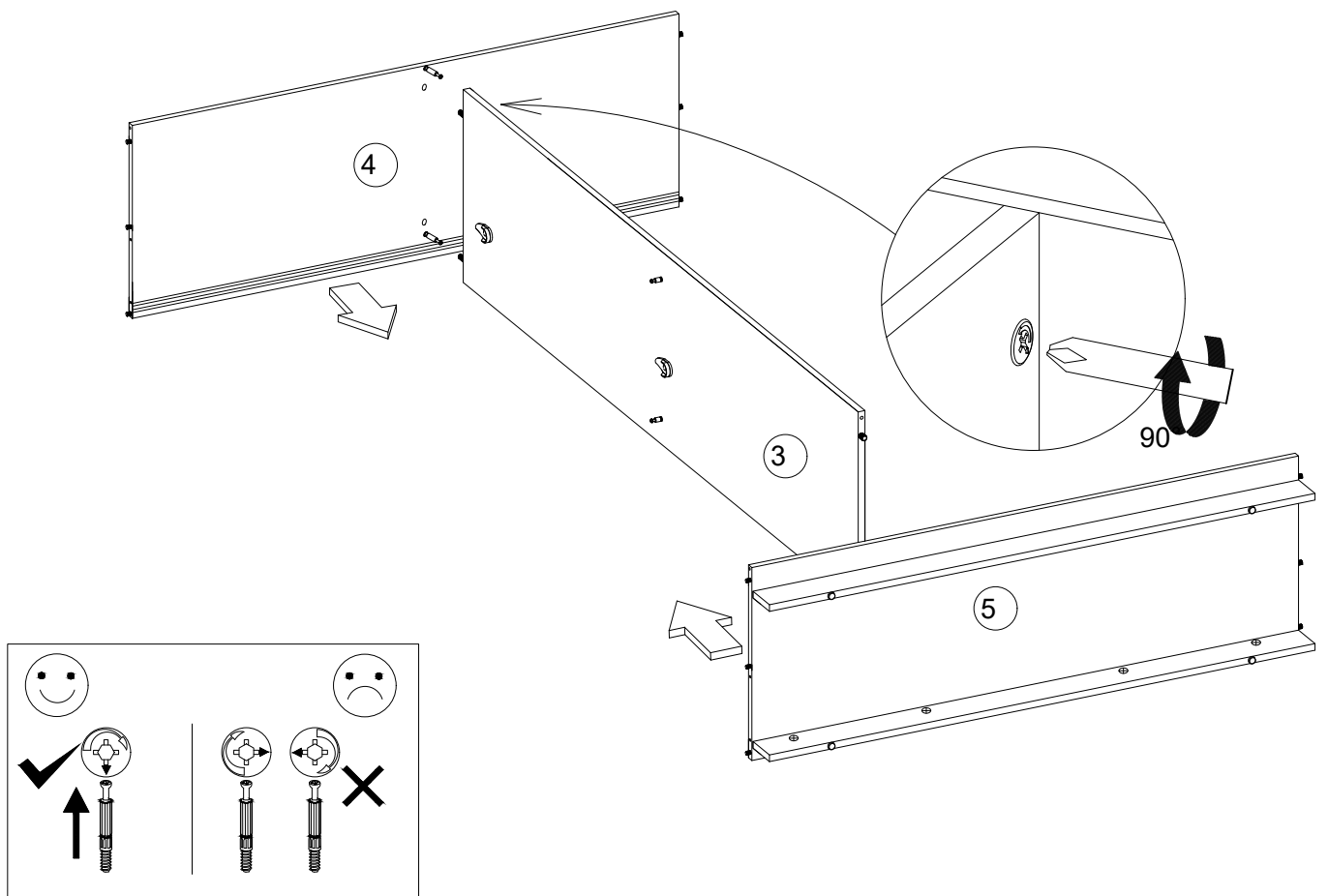
6



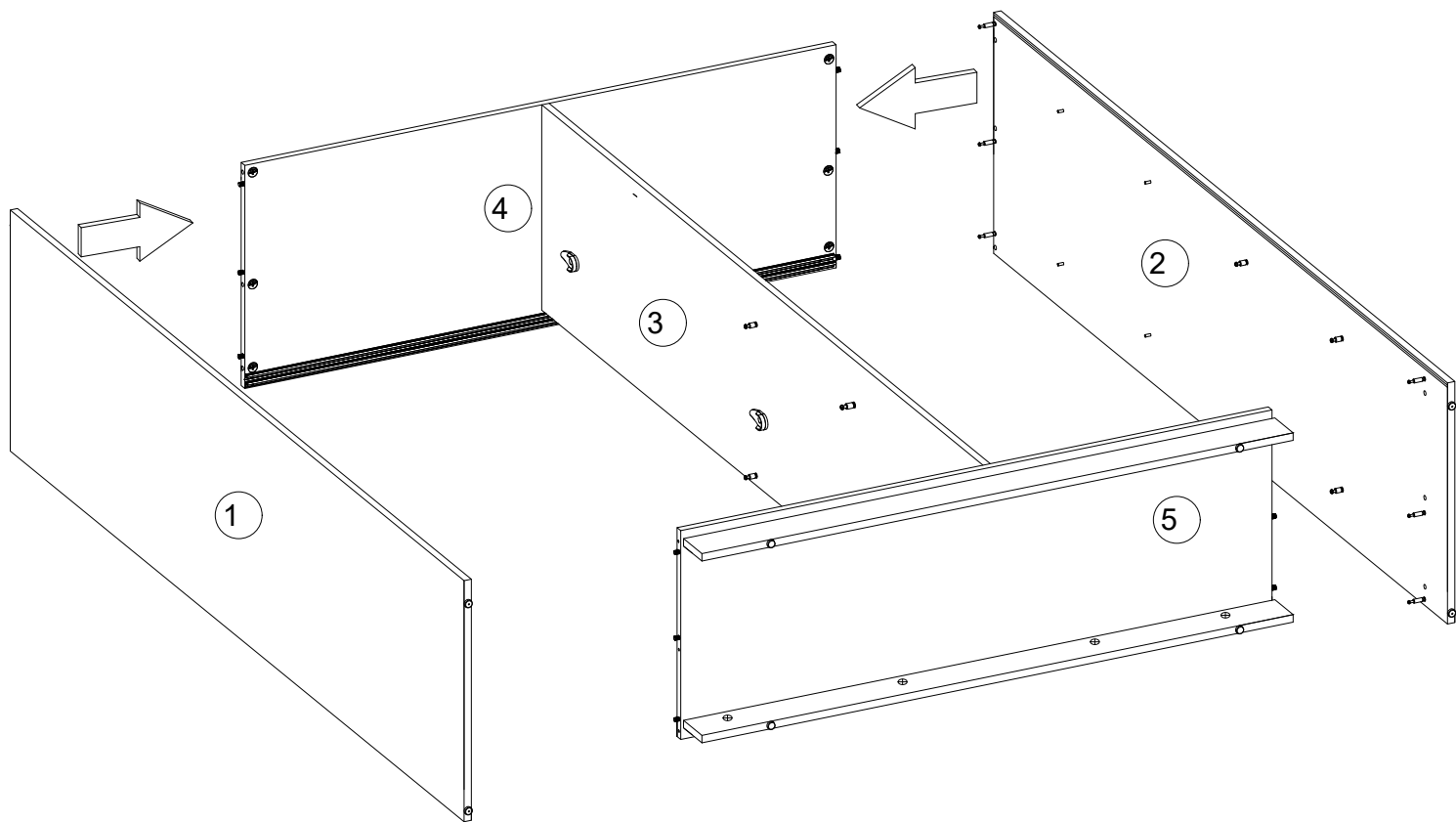
7



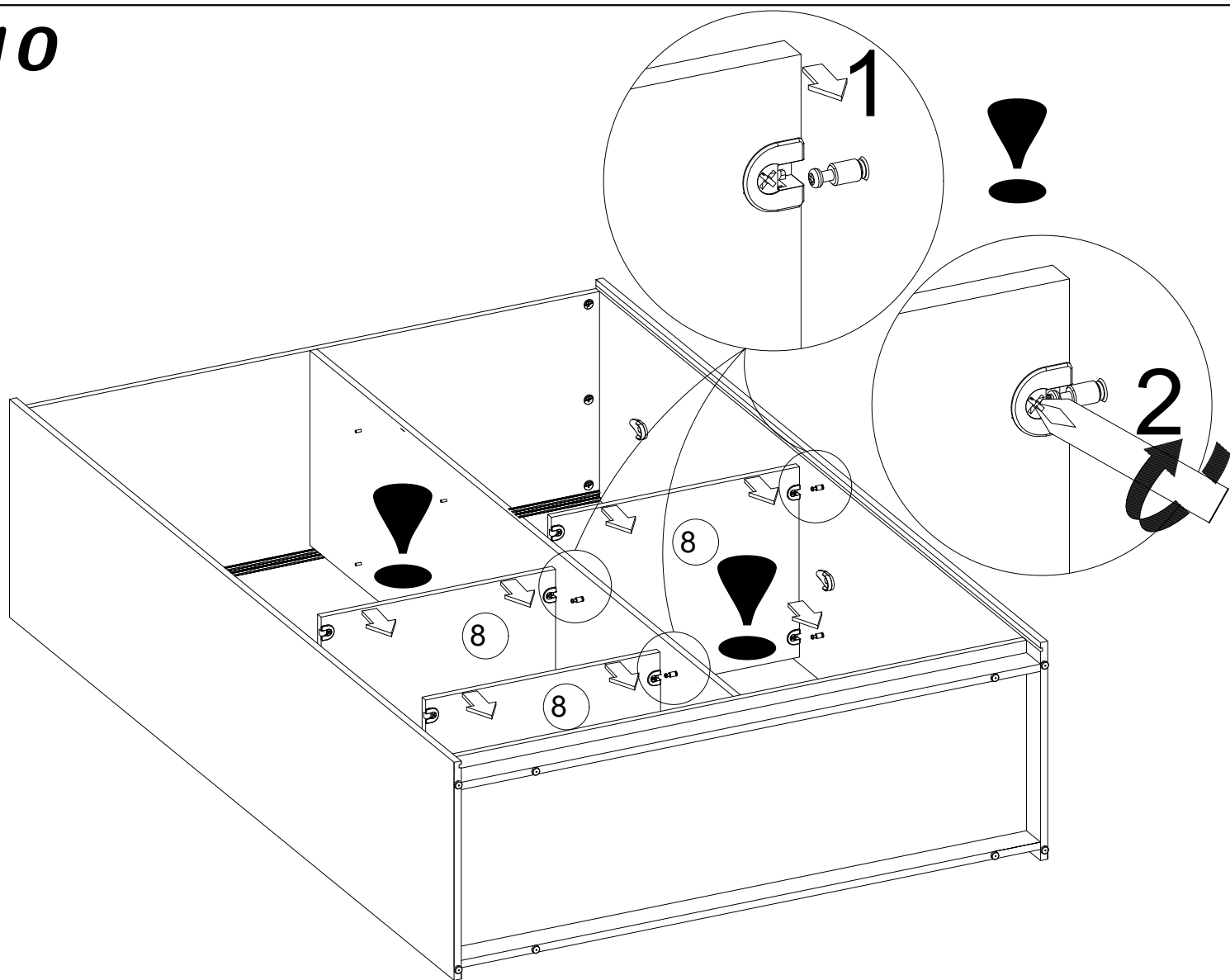
8



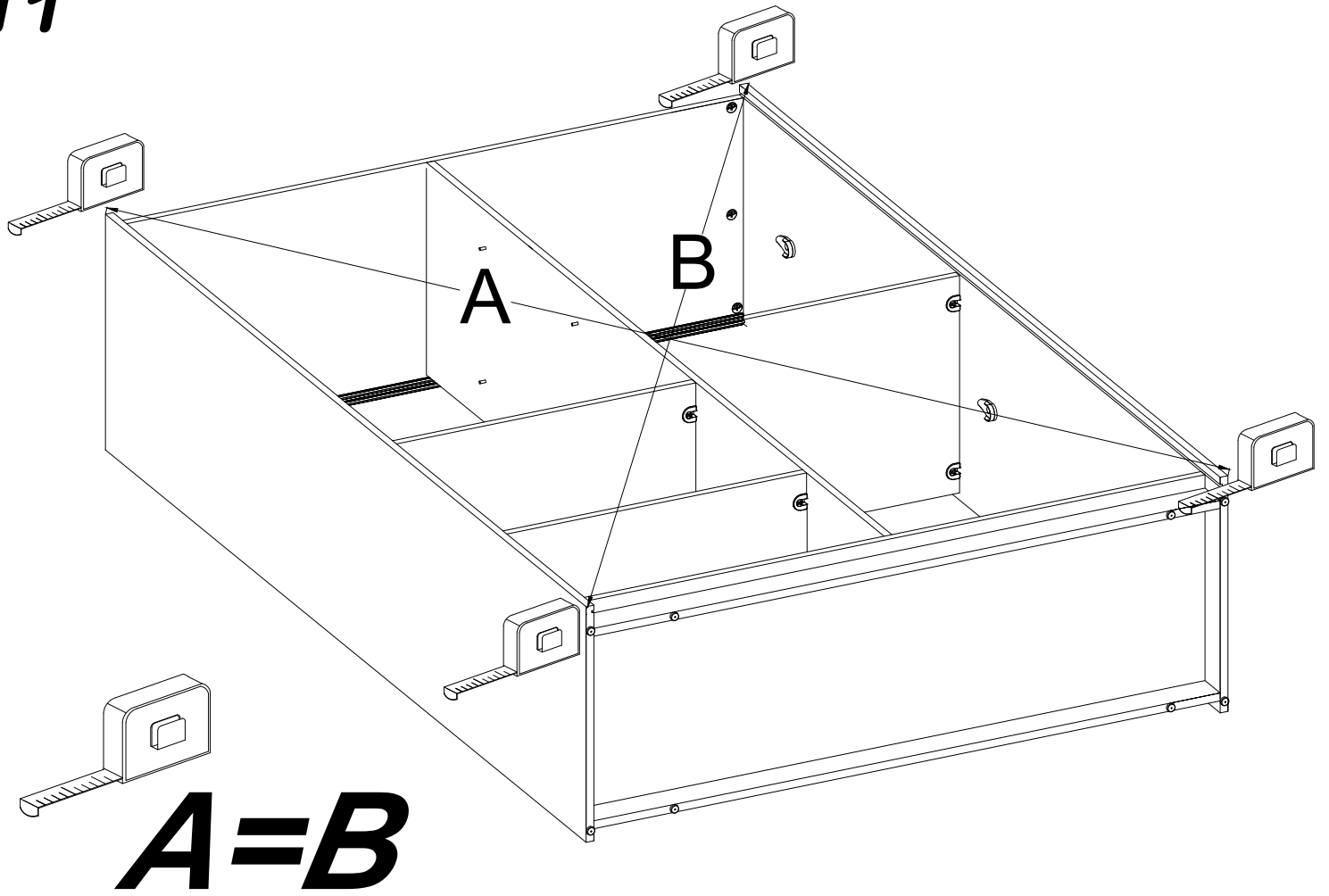
9



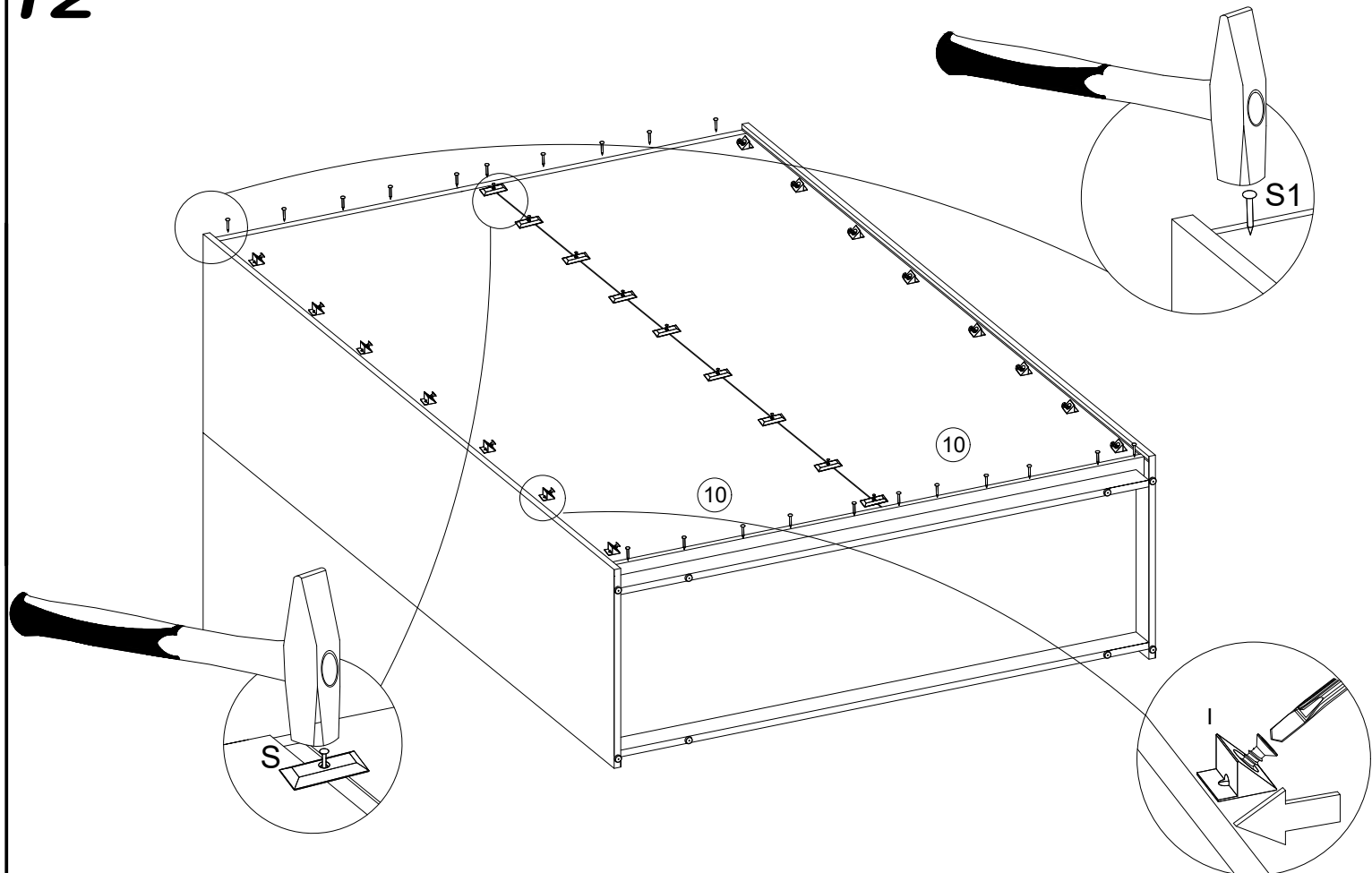
10



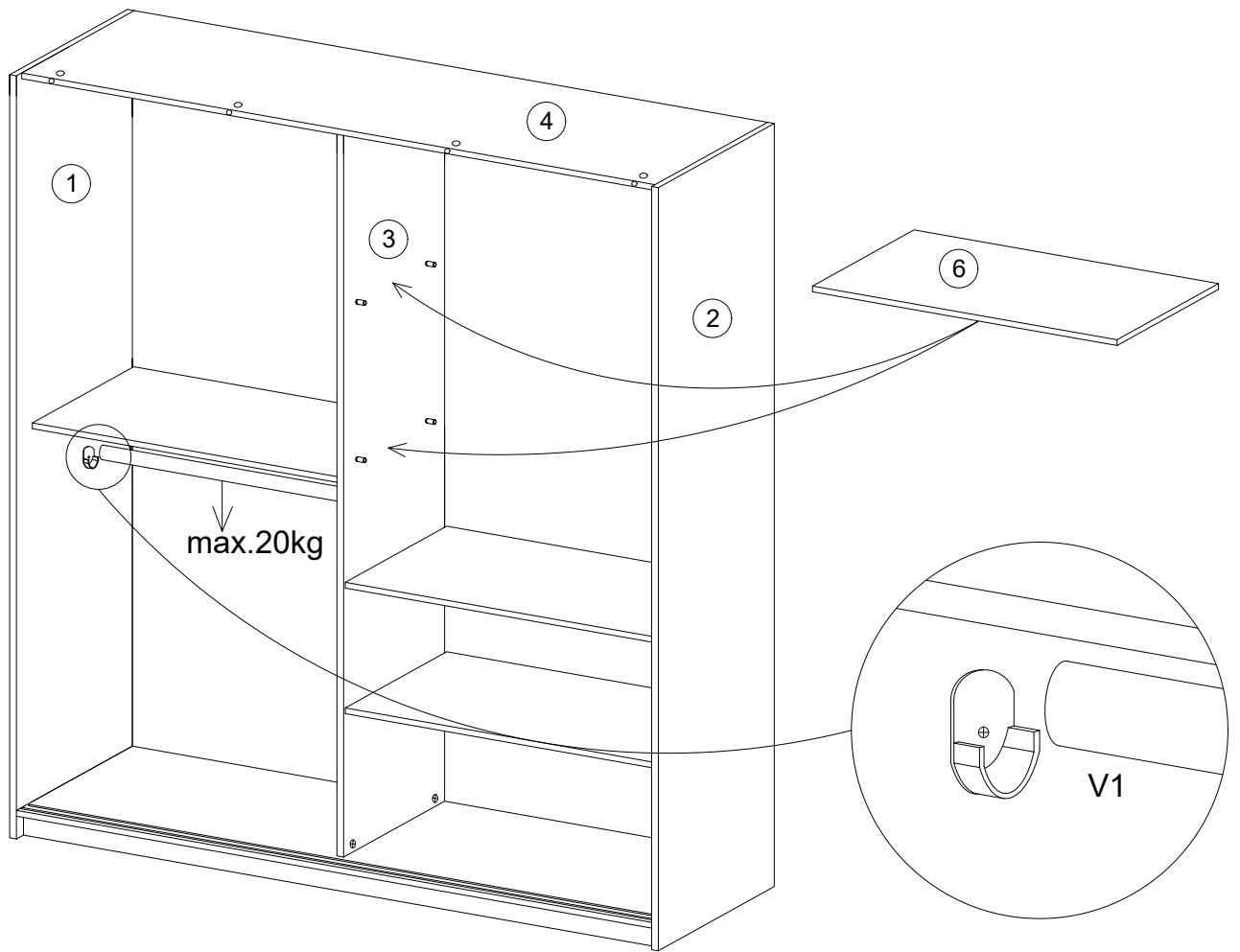
11



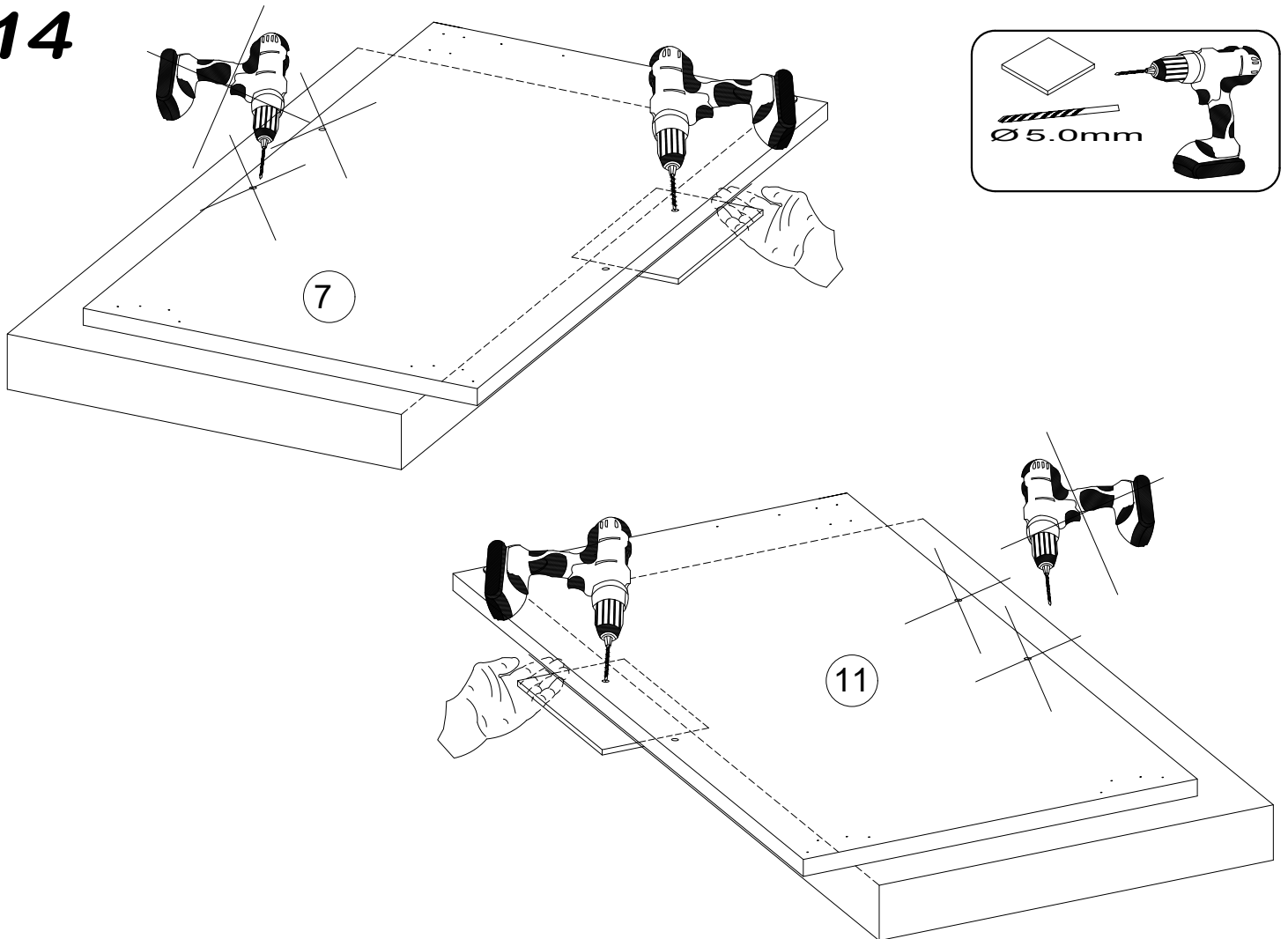
12



13

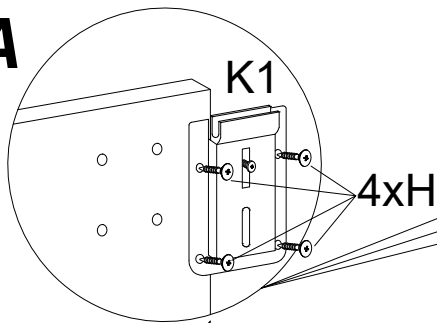


14

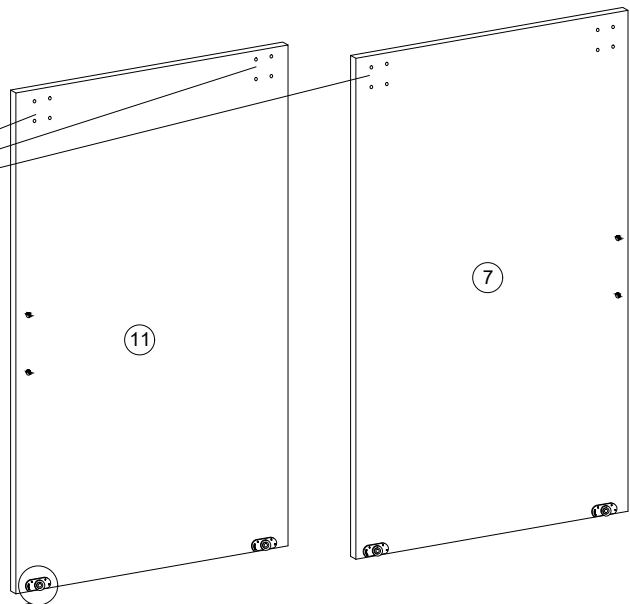
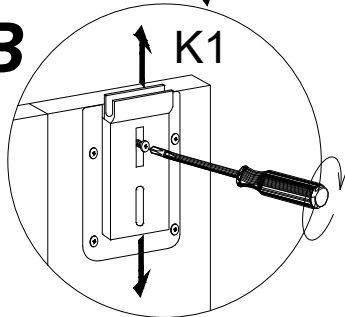


15

A

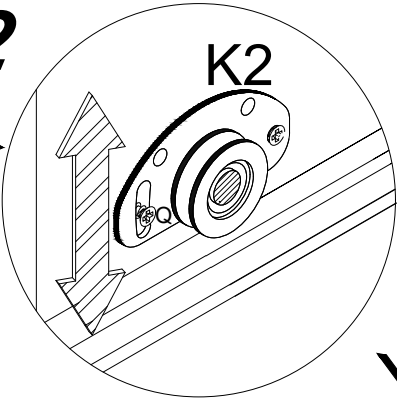
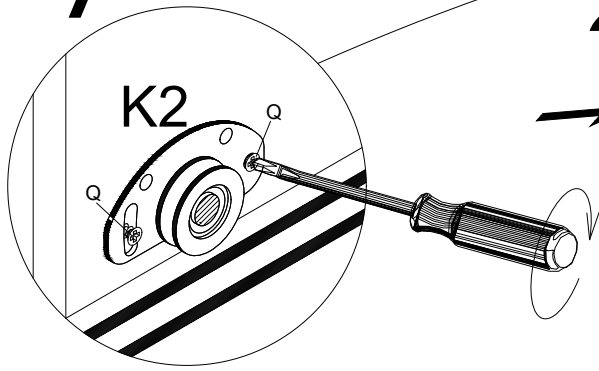


B

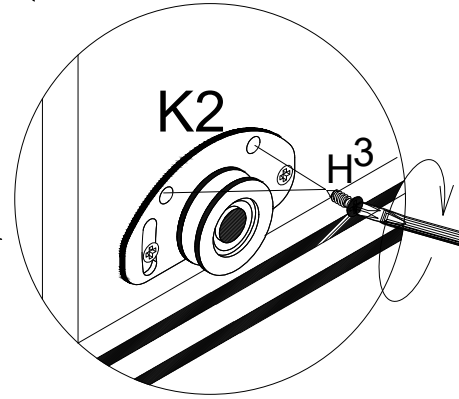
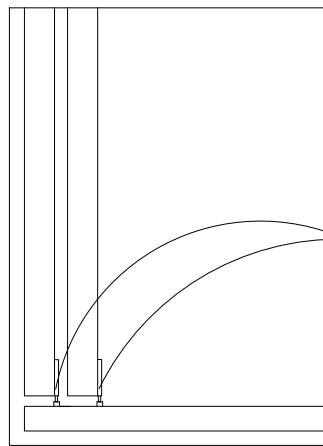


1

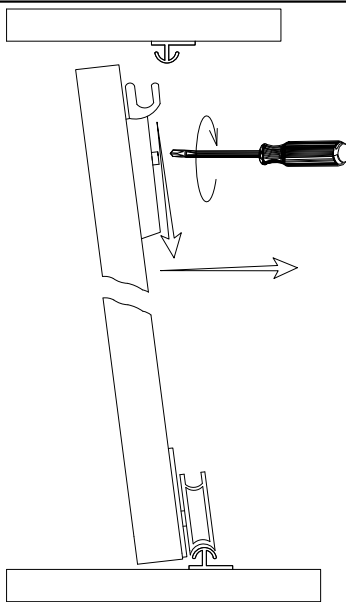
2



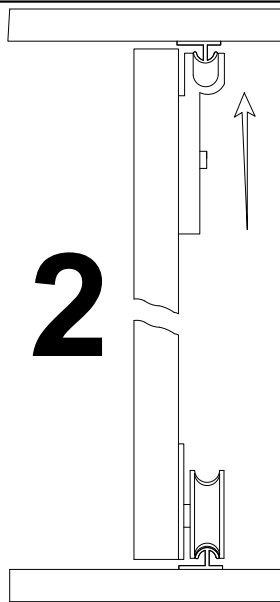
3



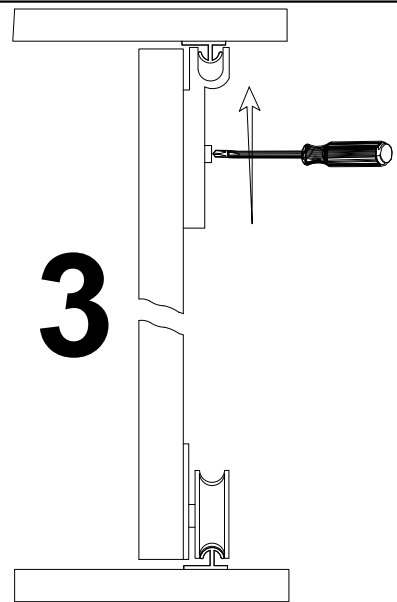
1



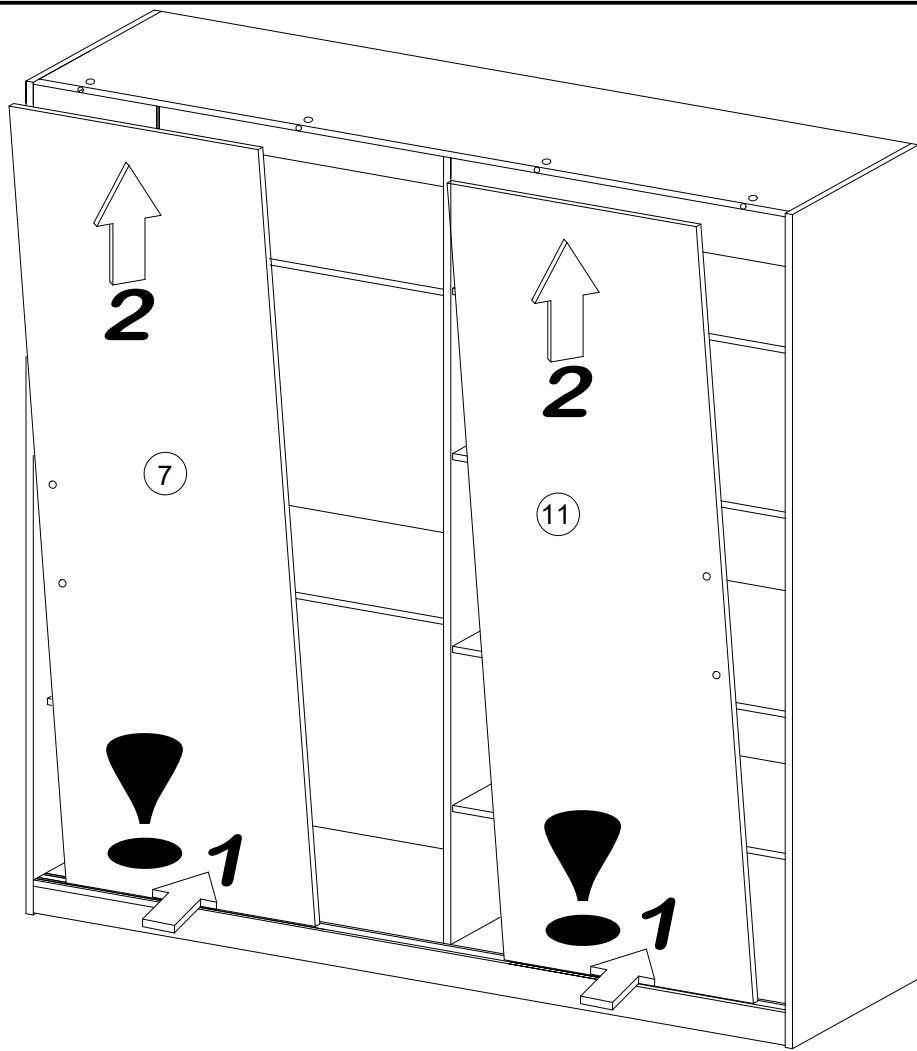
2



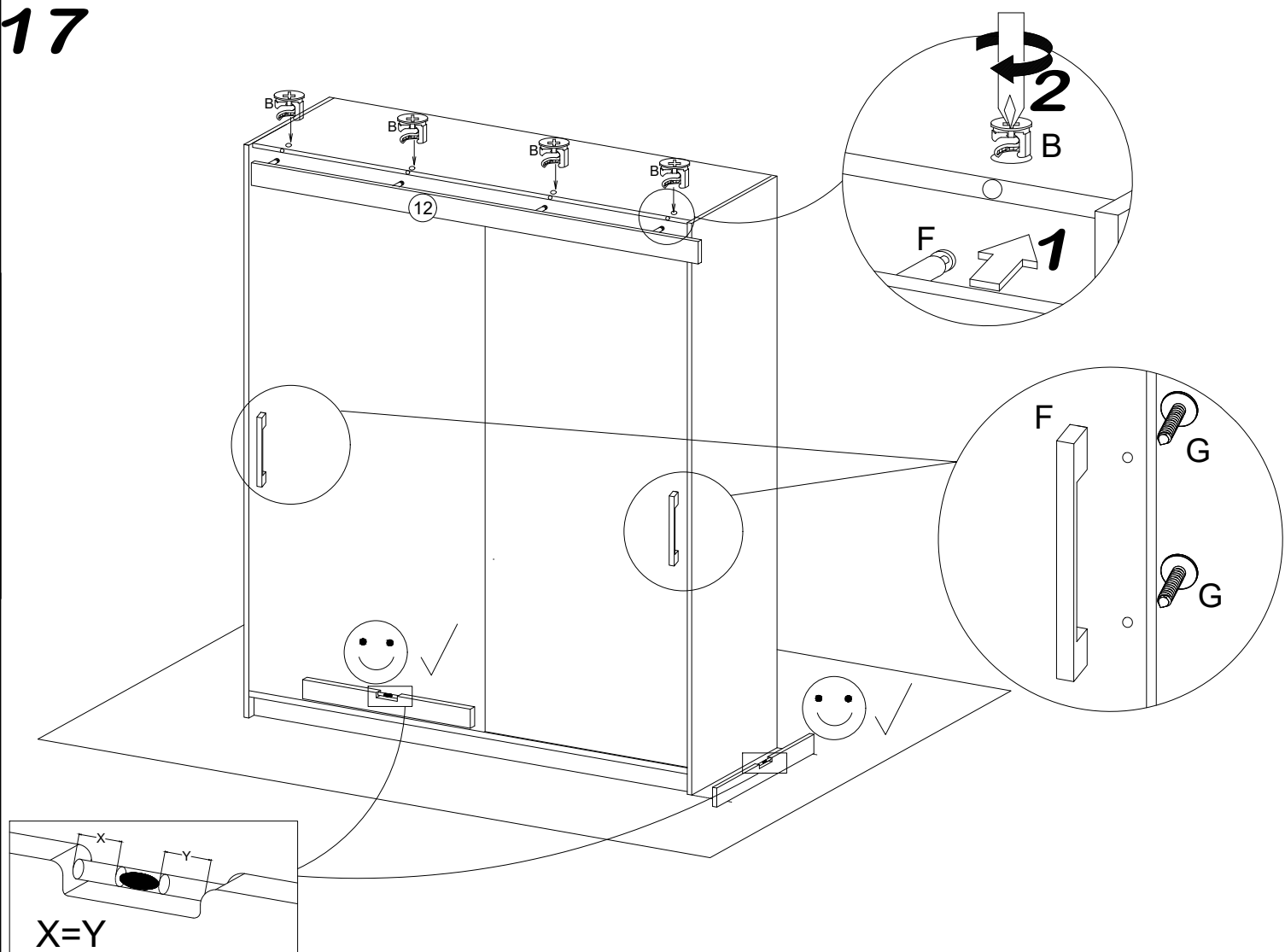
3



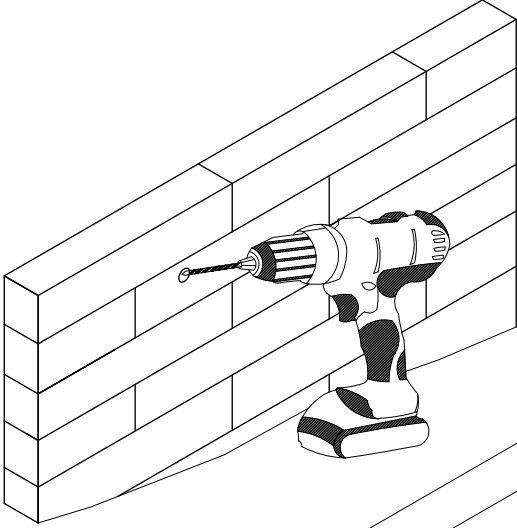
16





17

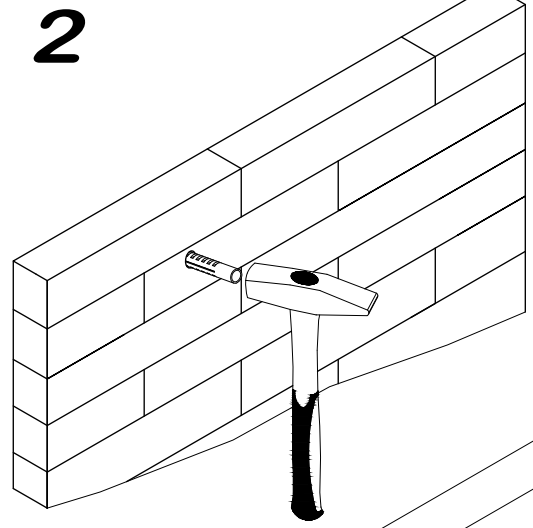


1

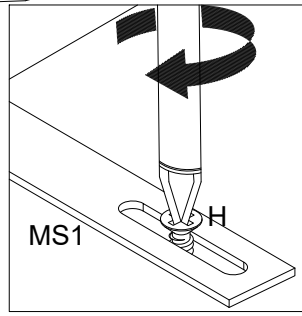
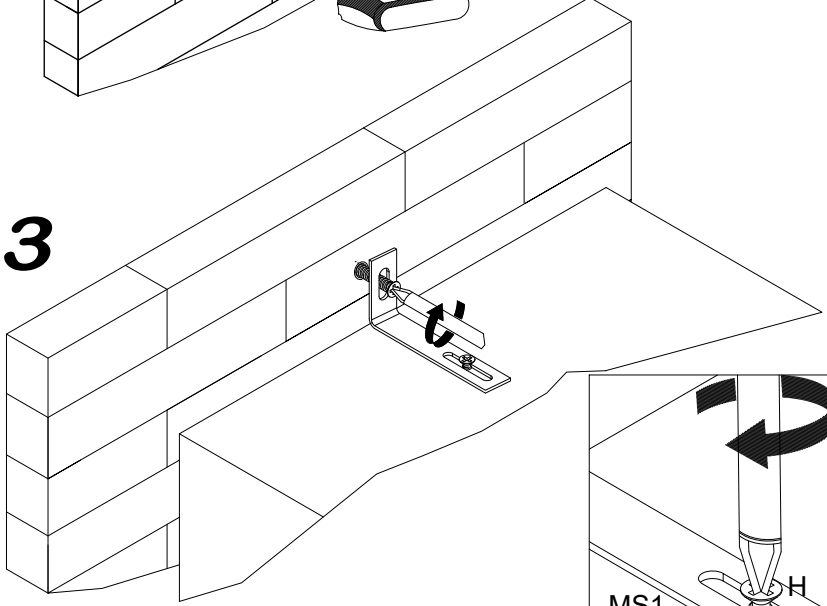


| | |
|--|--|
| 3.5x16 | |
|  |  |
| H | MS1 |
| 1 | 1 |

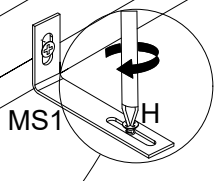
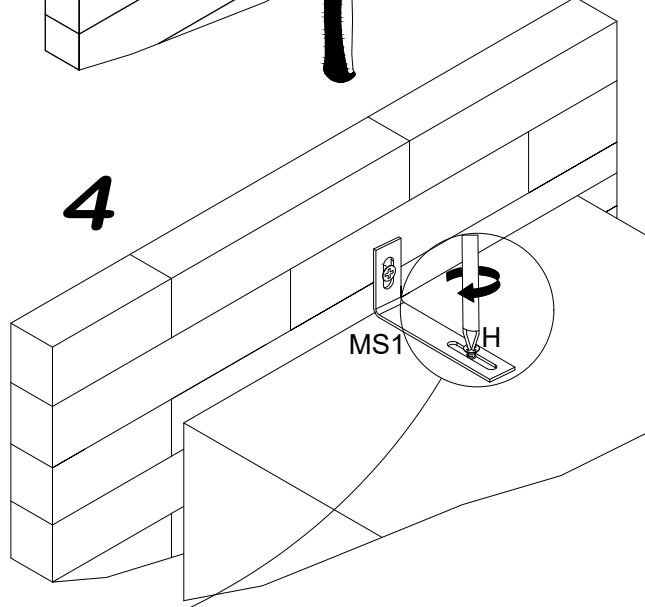
2

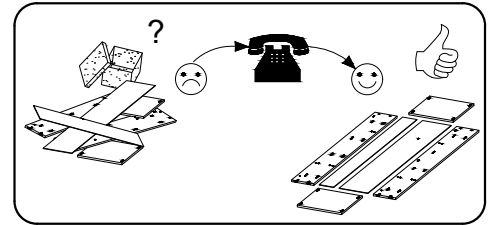
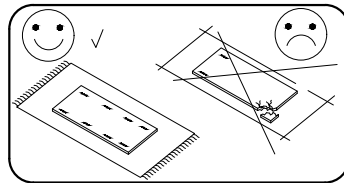
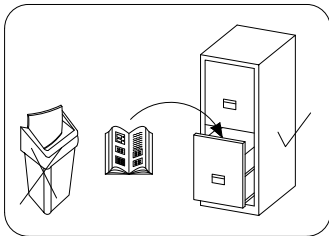
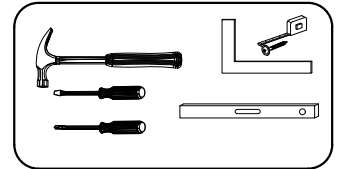
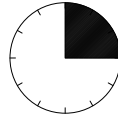
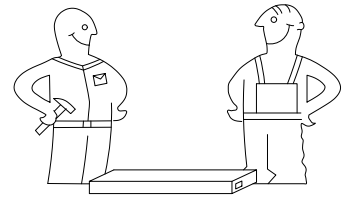
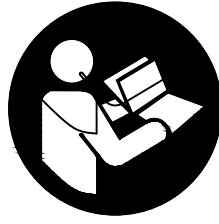











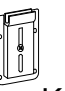

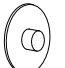



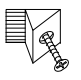






3

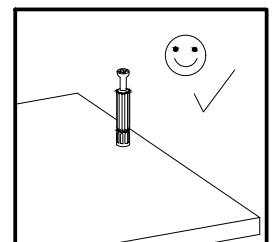
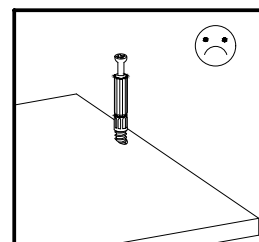
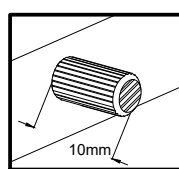
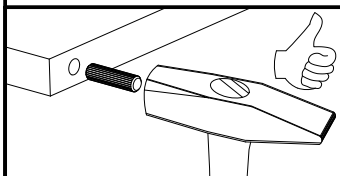
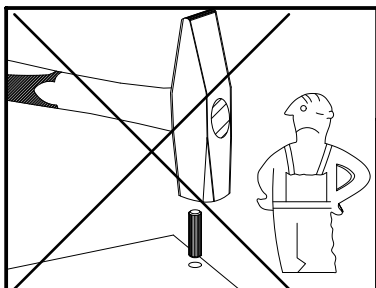
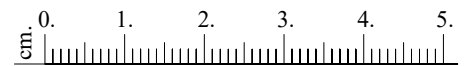


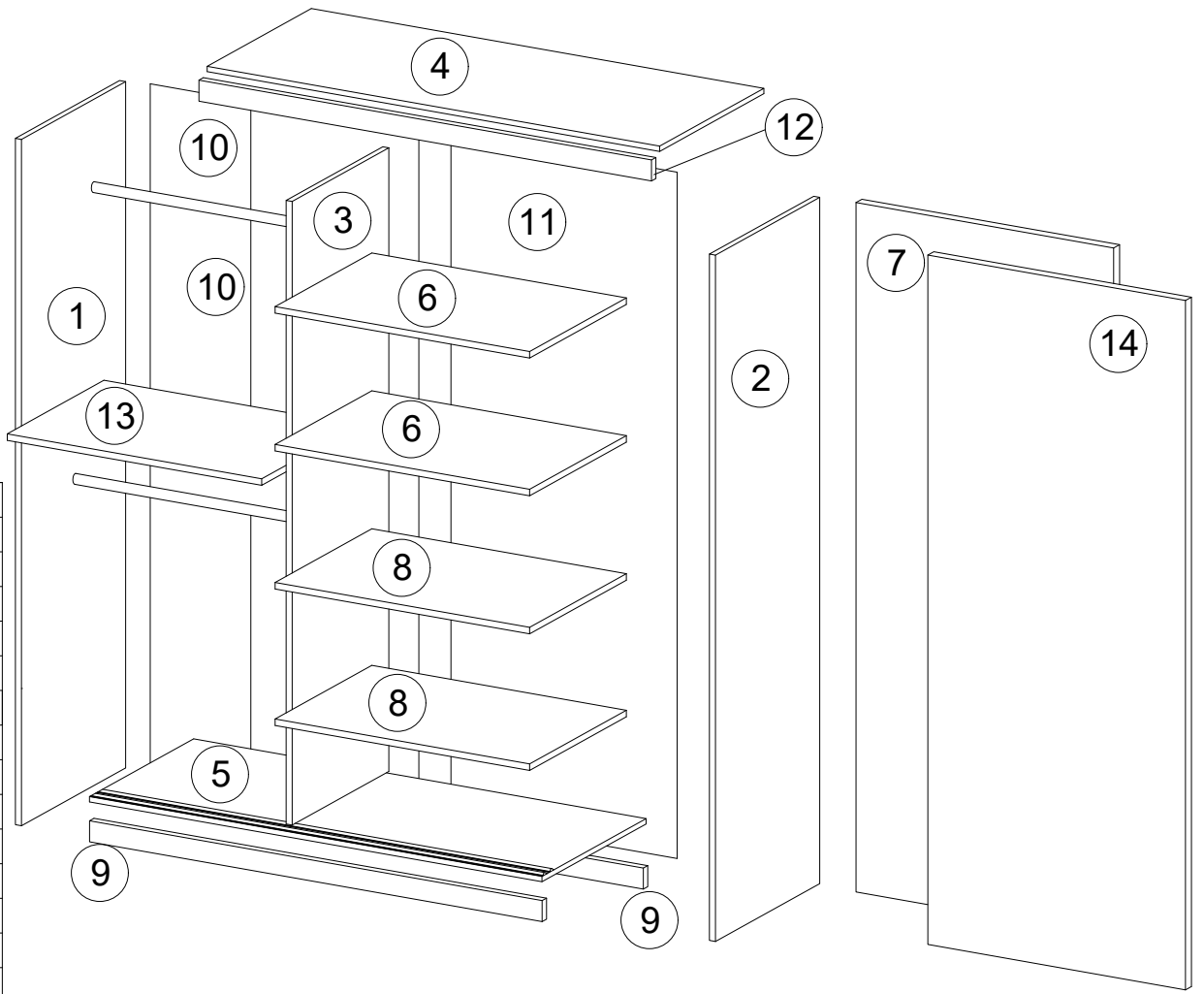
4





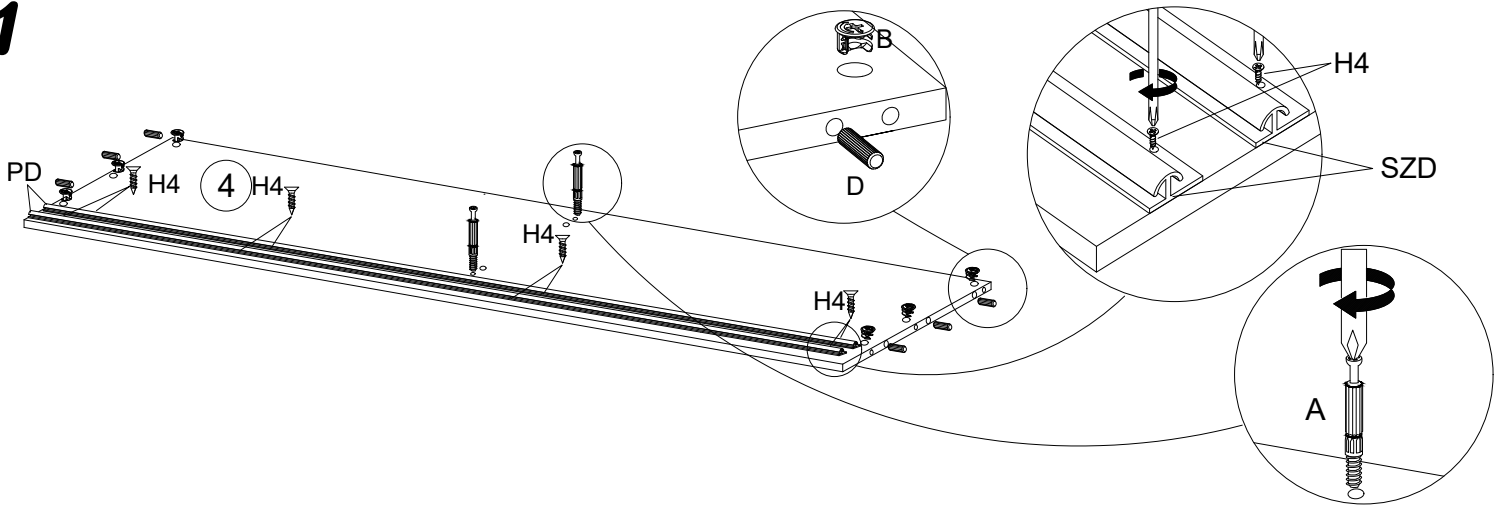
| | | | | | | | | | | |
|--|---|--|---|--|--|---|---|--|--|---|
| 8.0x35  D 16 | 4.0x25  G 4 |  Y 12 |  A 28 |  B 28 | 3.5x16  H 24 |  V 12 |  N 4 |  K2 4 |  K1 4 |  S3 8 |
|  X 20 |  F 2 |  S 19 |  S1 40 |  I 30 | L-465  V1 2 | L-1850  L 1 | 6.3x13  Q 8 |  J 8 |  PD 4 | 3.0x13  H4 16 |



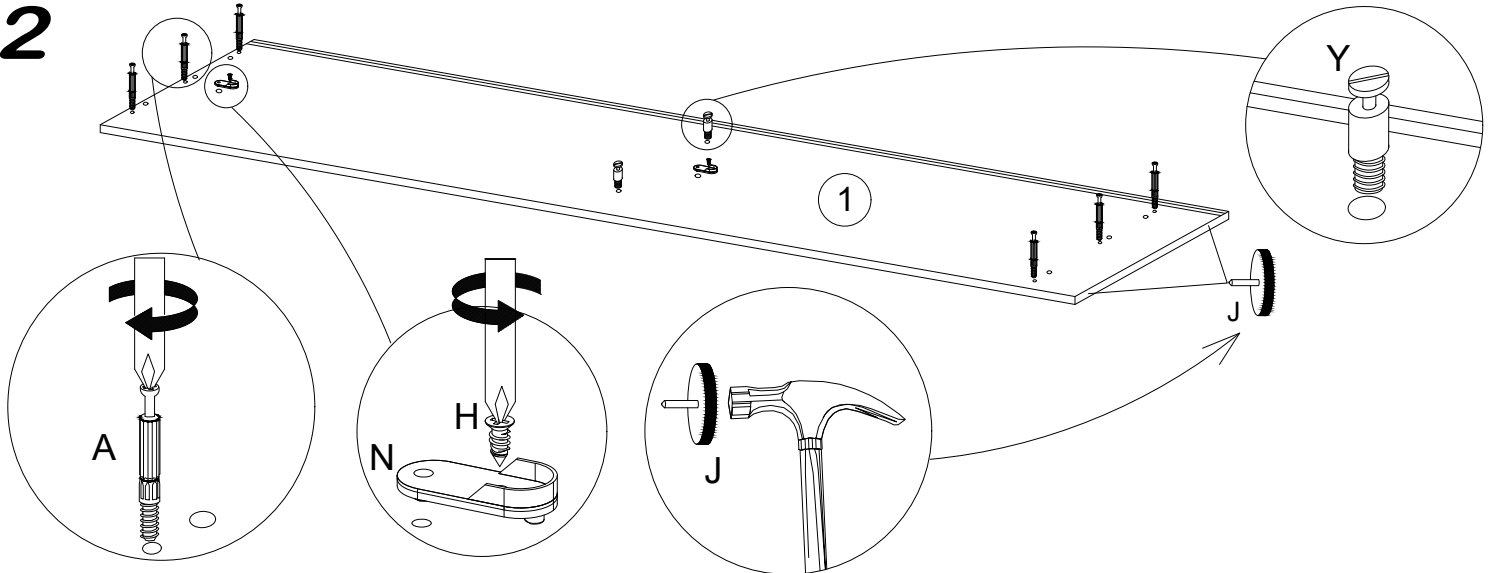


| No. | Pcs. | L | W | D |
|-----|------|------|-----|----|
| 1. | 1 | 2000 | 620 | 16 |
| 2. | 1 | 2000 | 620 | 16 |
| 3. | 1 | 1888 | 480 | 16 |
| 4. | 1 | 1168 | 582 | 16 |
| 5. | 1 | 1168 | 600 | 16 |
| 6. | 2 | 475 | 480 | 16 |
| 7. | 1 | 1873 | 600 | 16 |
| 8. | 2 | 475 | 480 | 16 |
| 9. | 2 | 1168 | 80 | 16 |
| 10. | 1 | 1918 | 346 | 3 |
| 11. | 1 | 1918 | 492 | 3 |
| 12. | 1 | 1168 | 70 | 16 |
| 13. | 1 | 676 | 480 | 16 |
| 14. | 1 | 1873 | 600 | 16 |

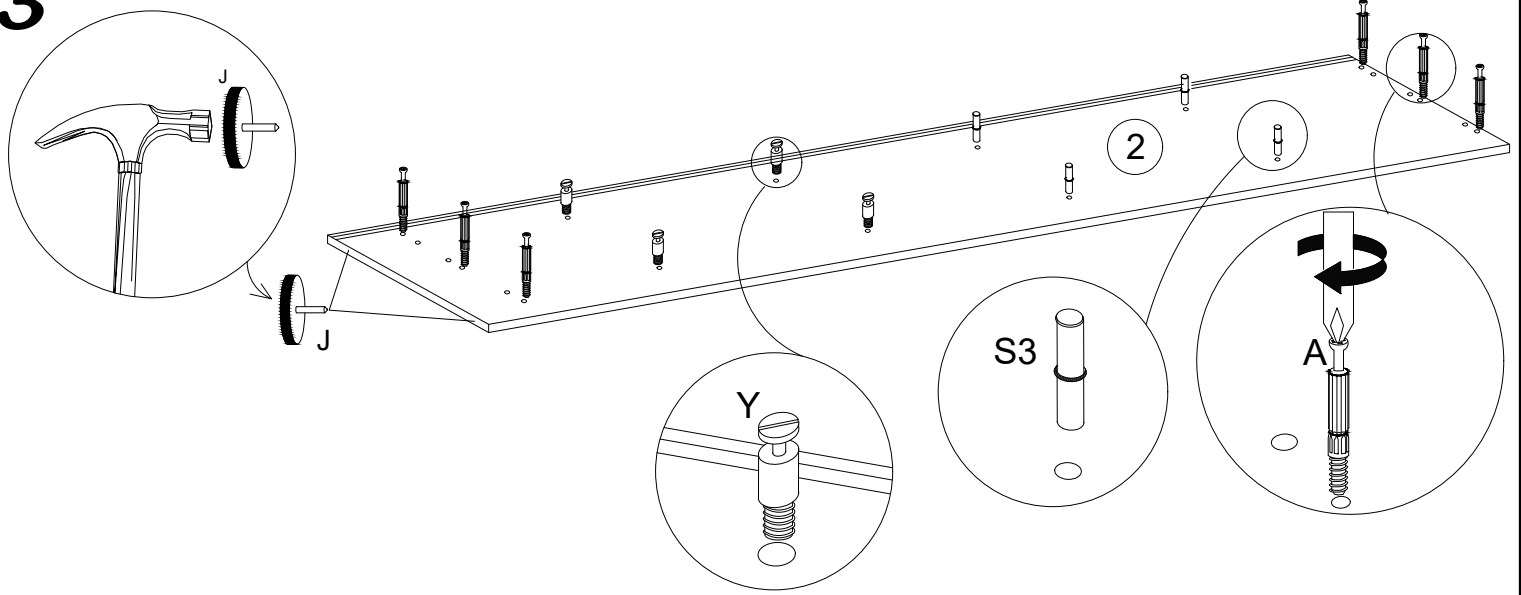
1



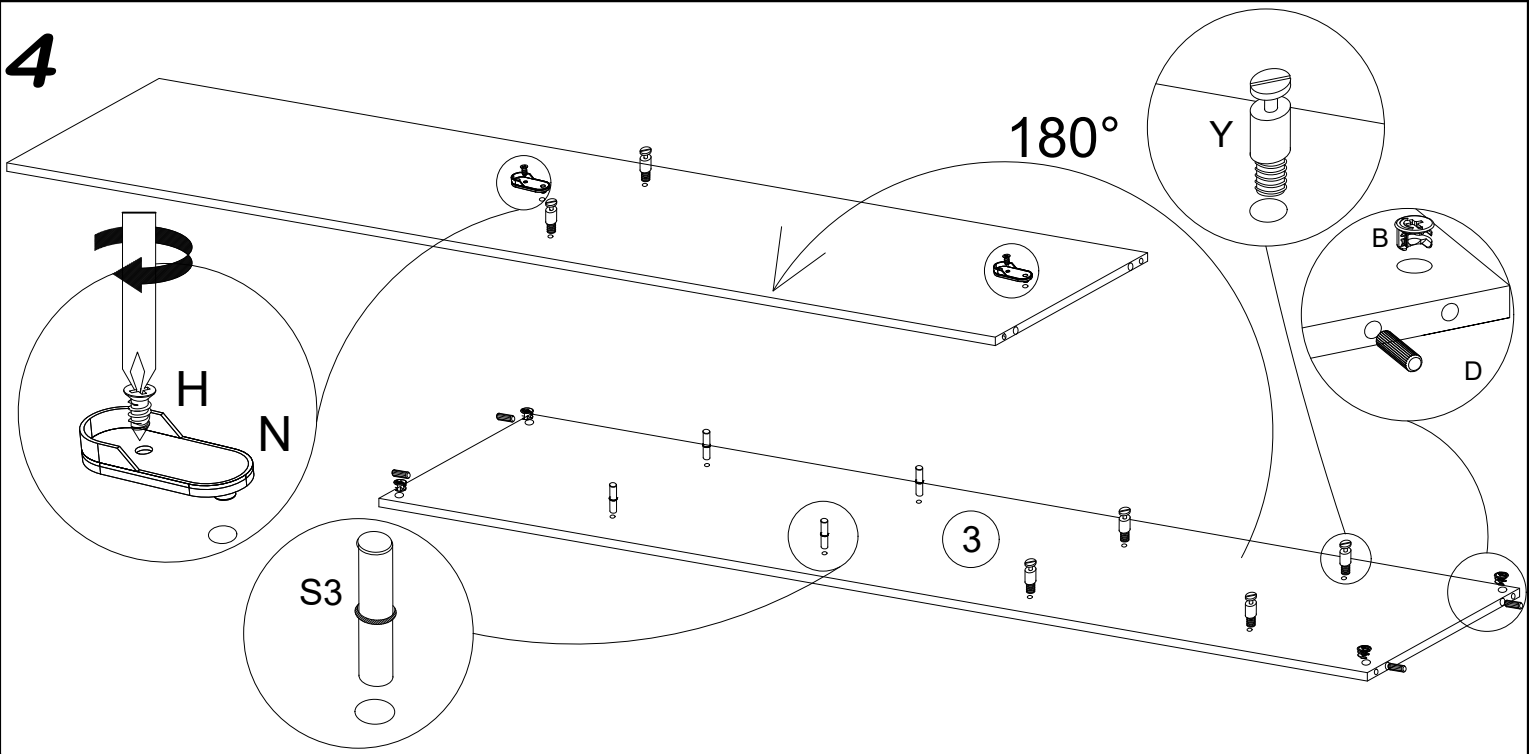
2



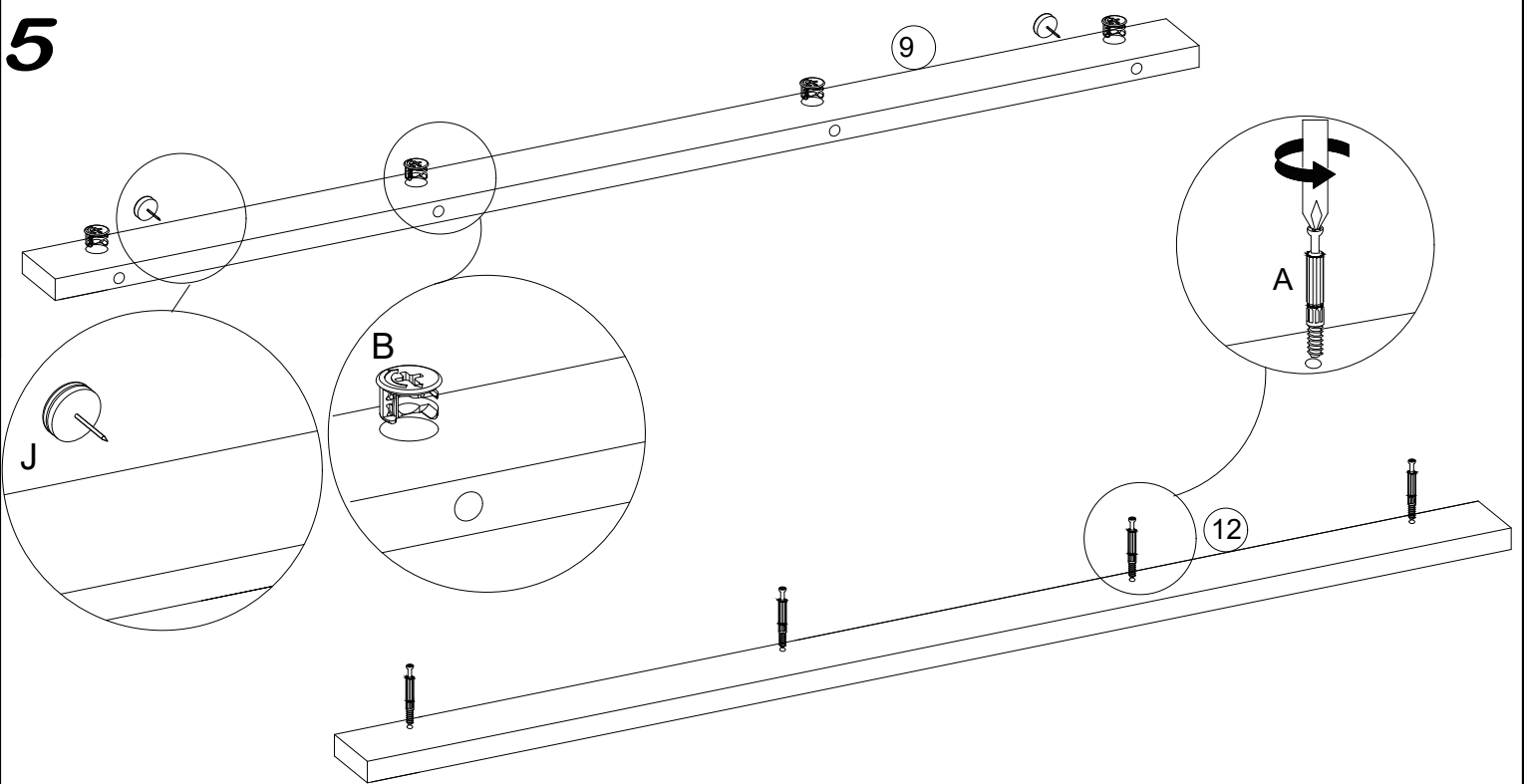
3



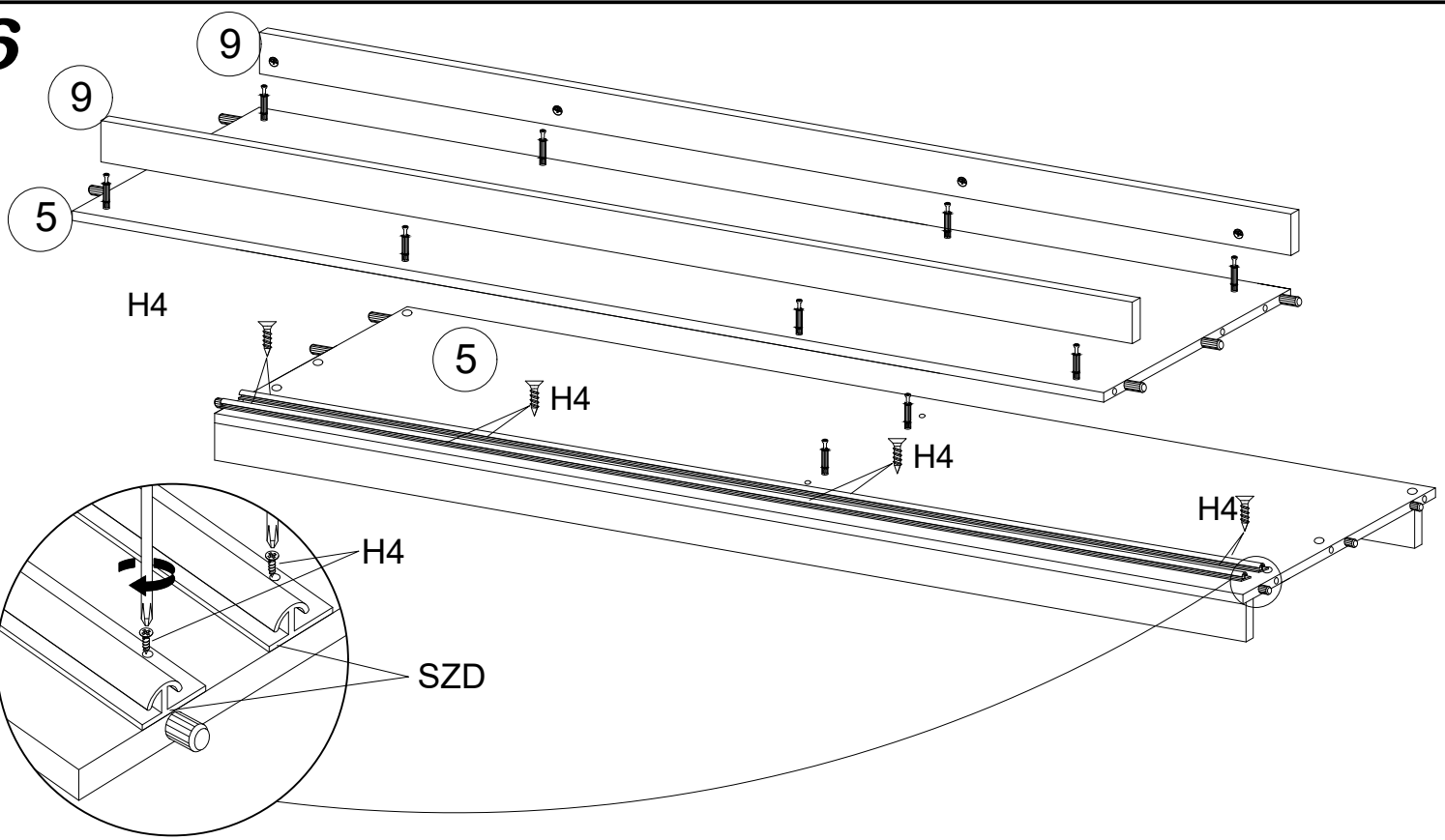
4



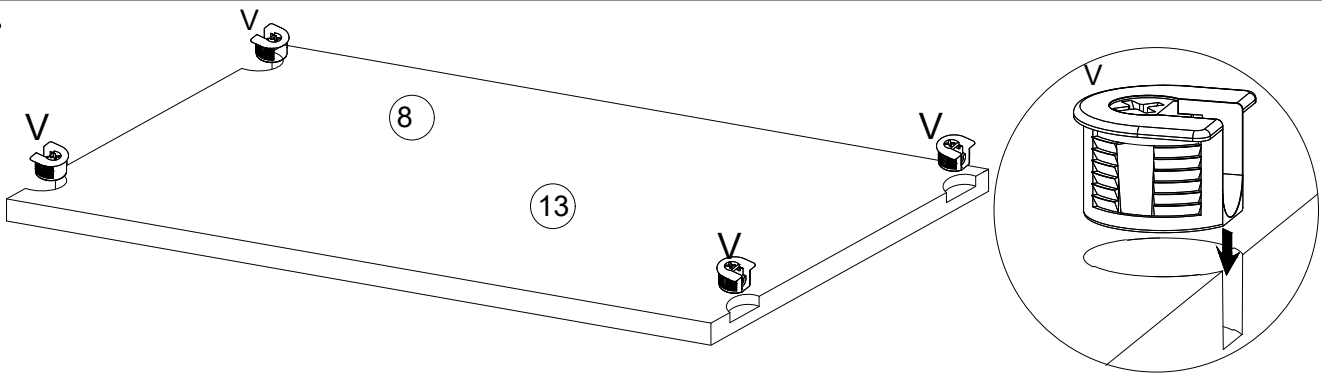
5



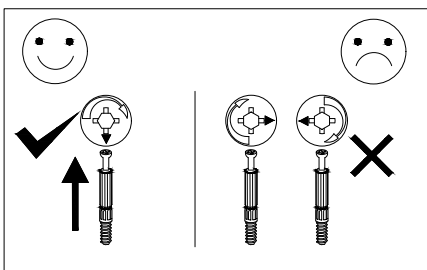
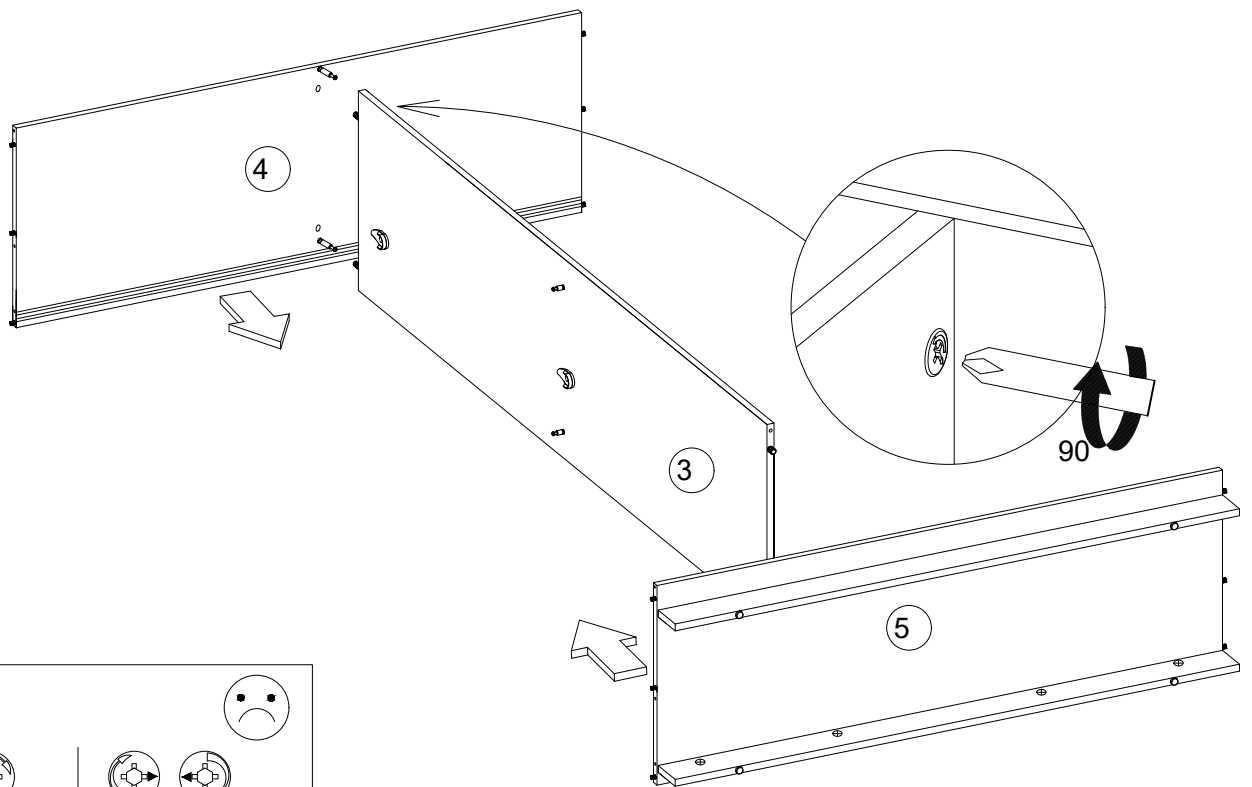
6



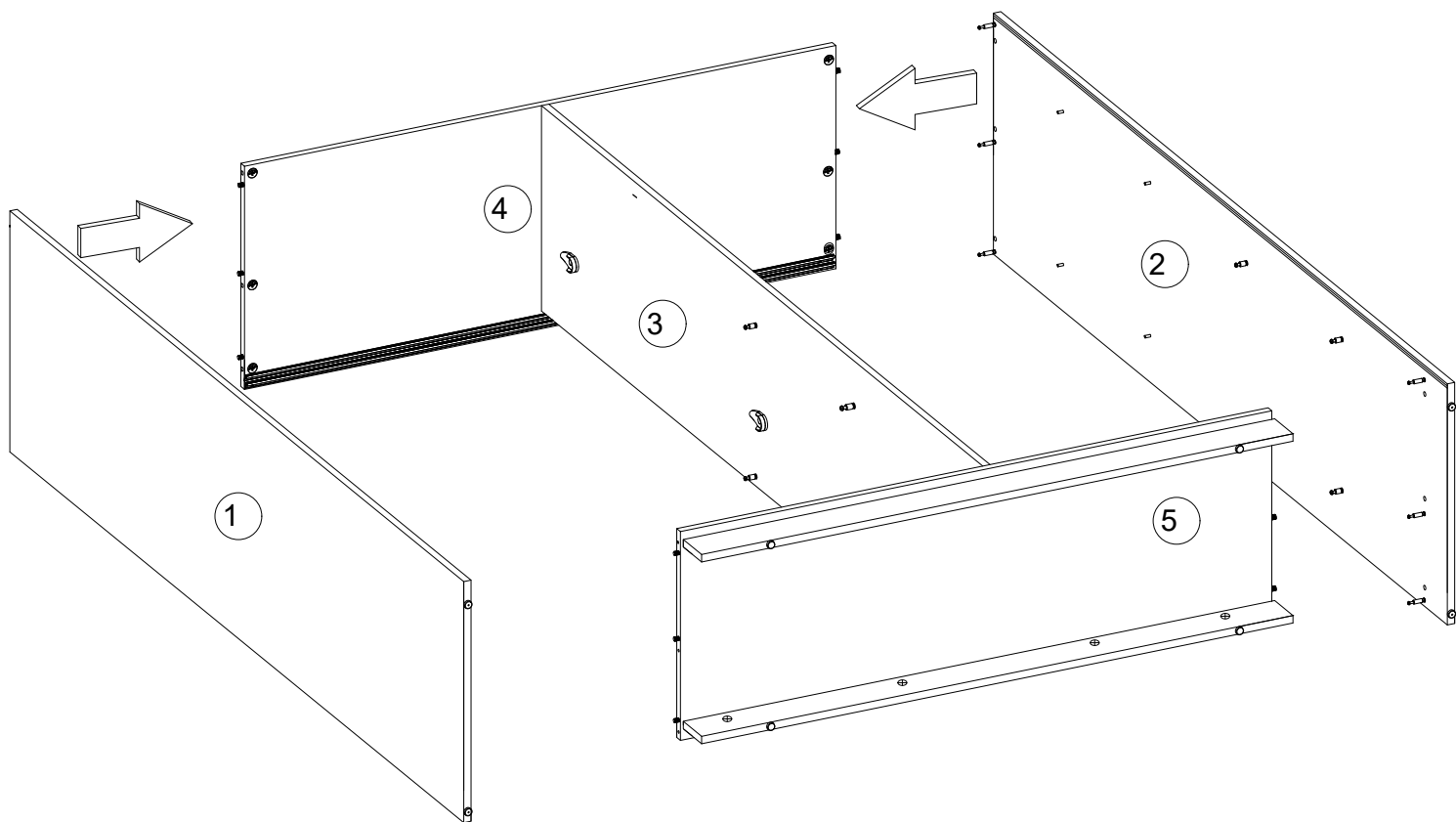
7



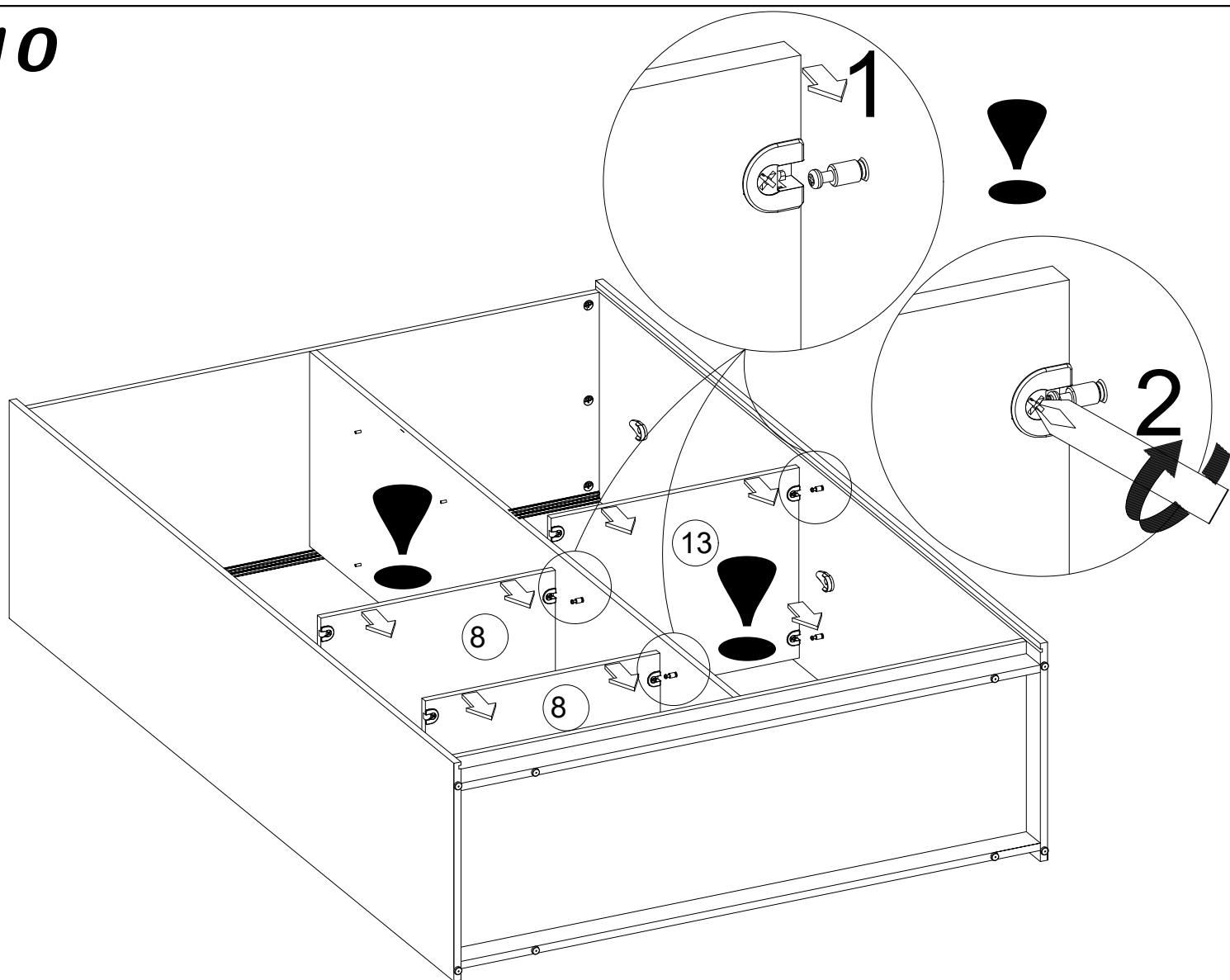
8



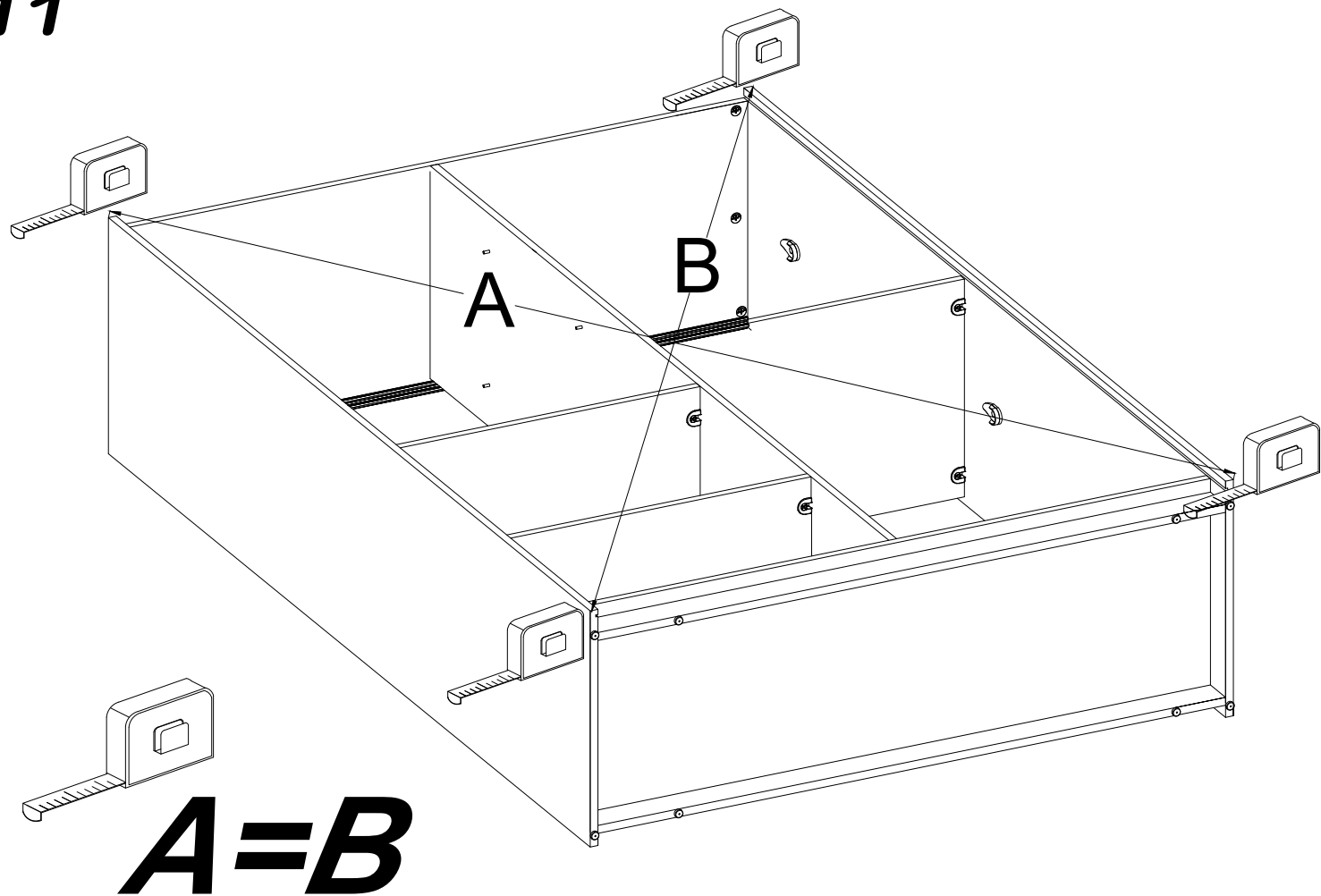
9



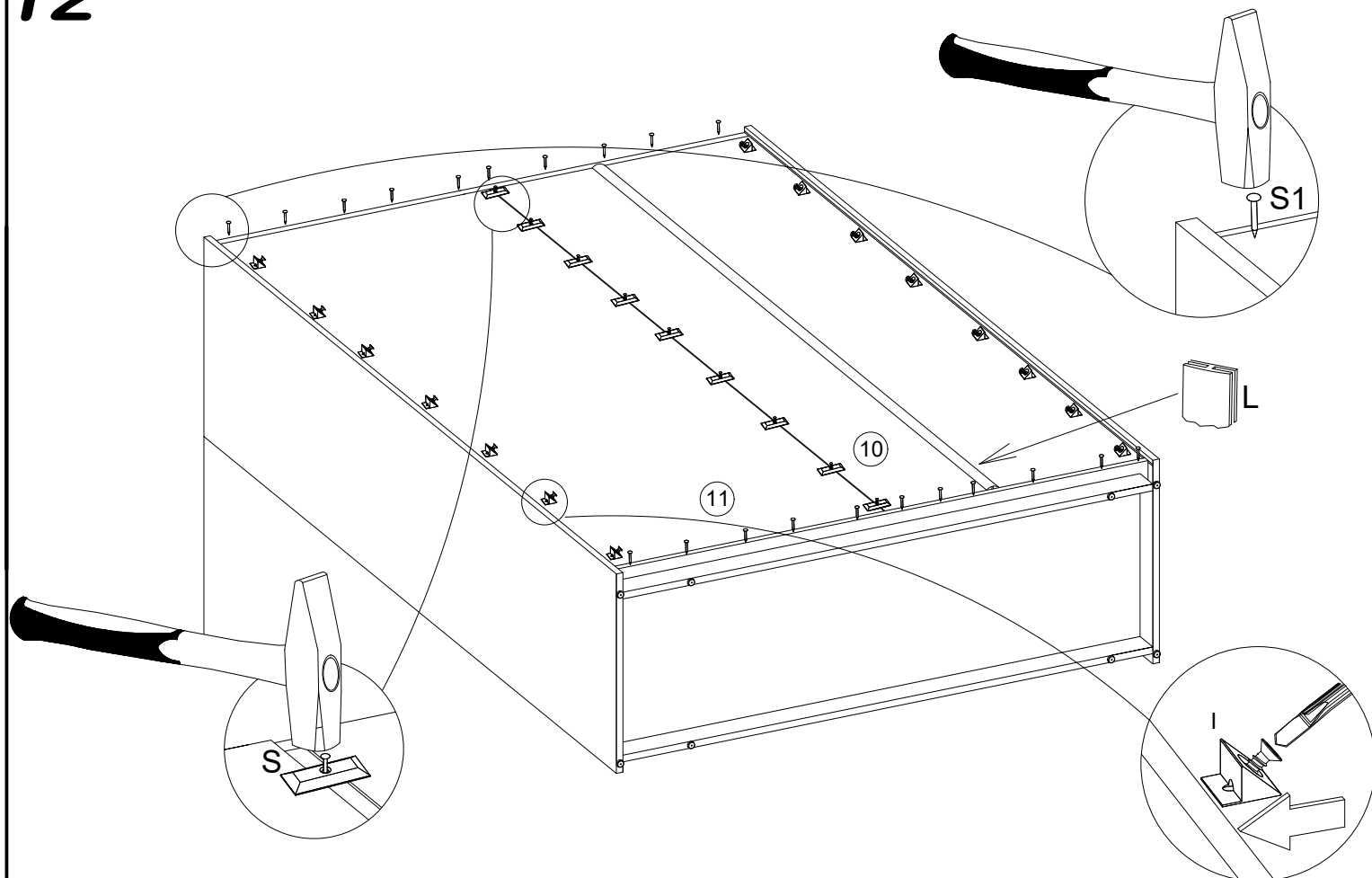
10



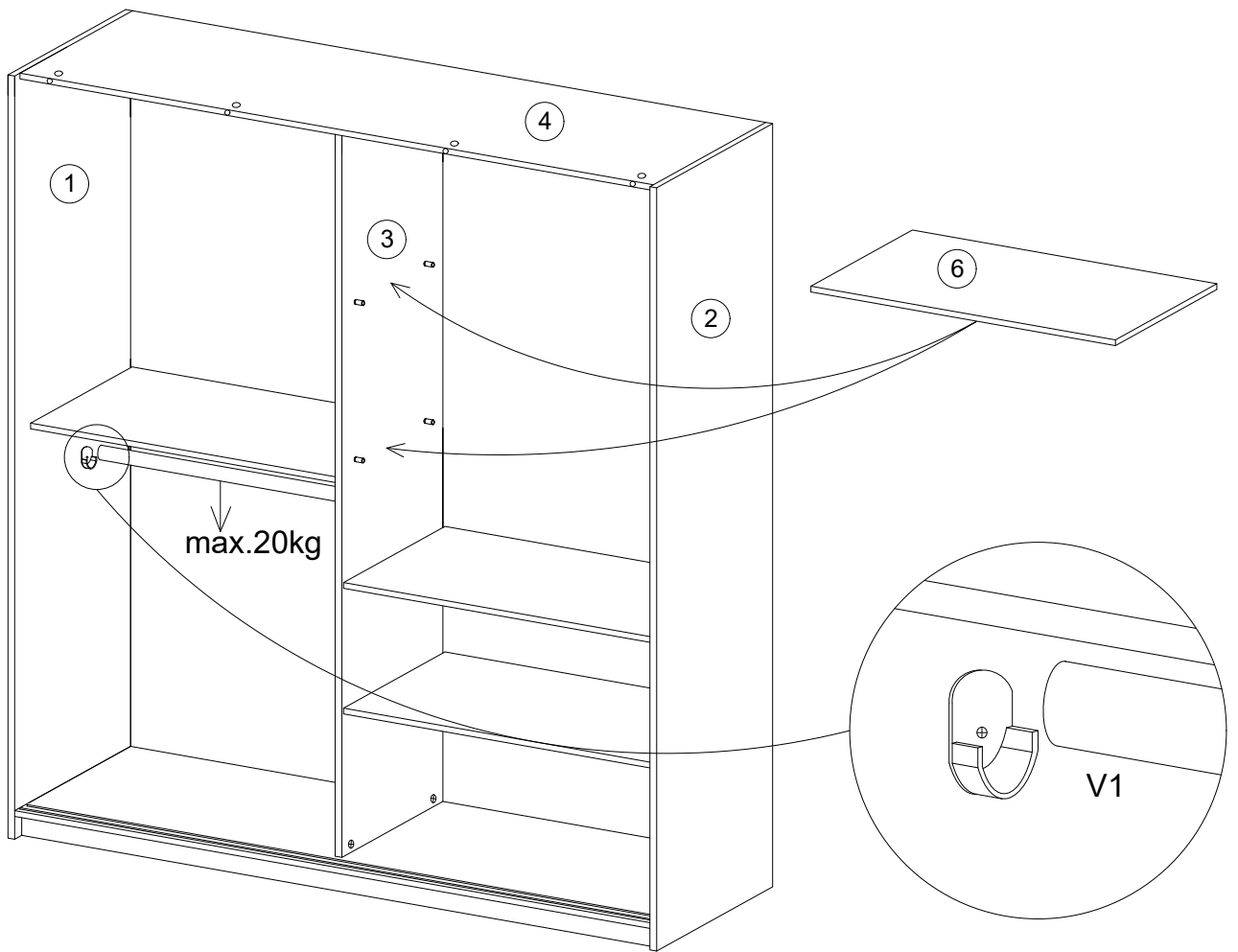
11



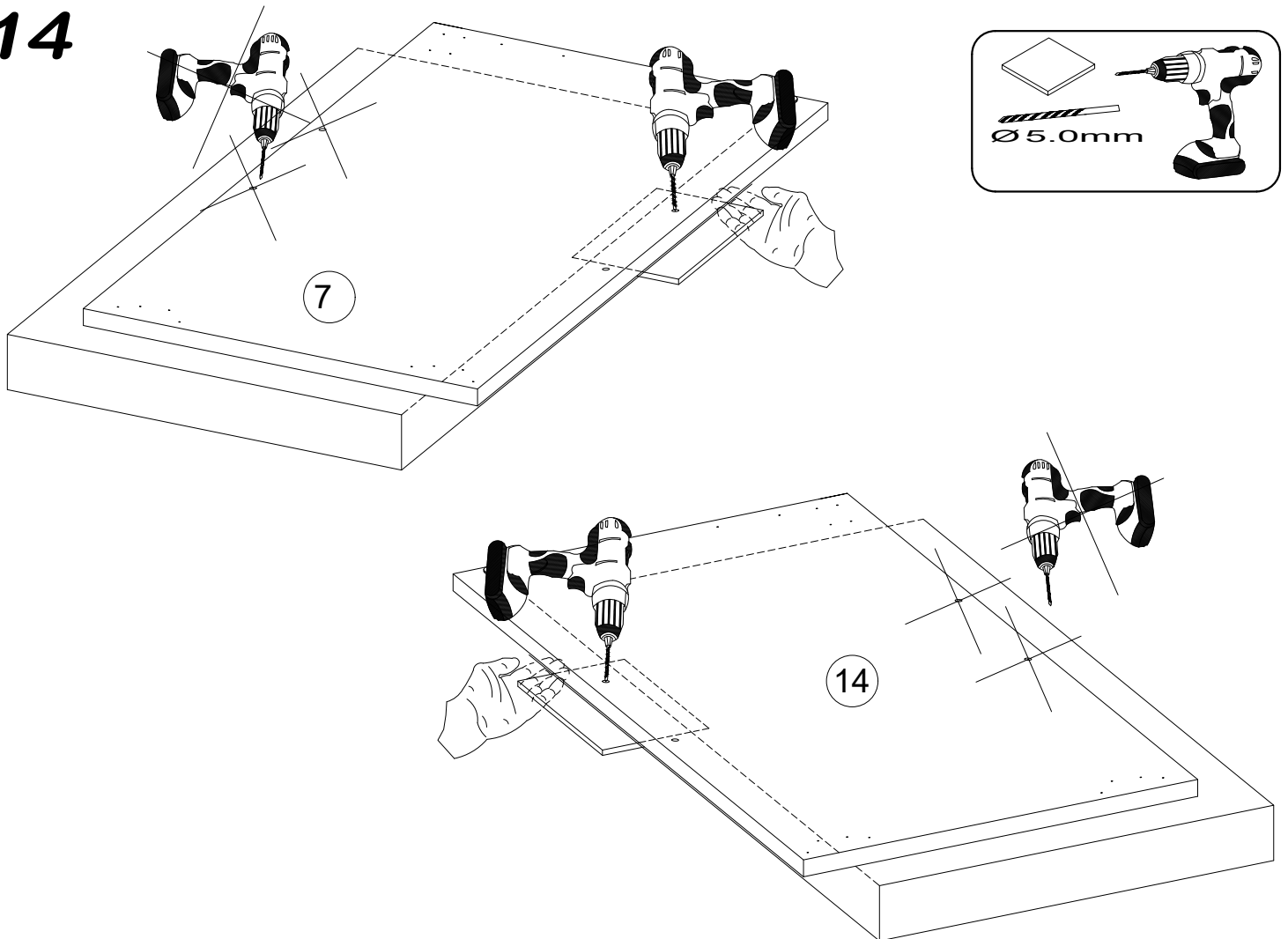
12



13

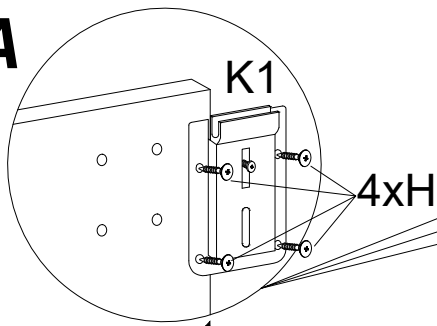


14

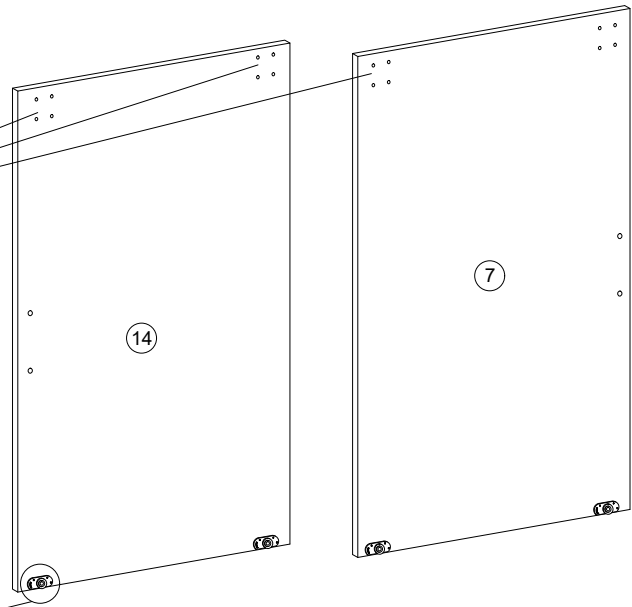
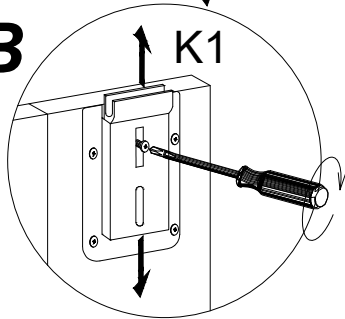


15

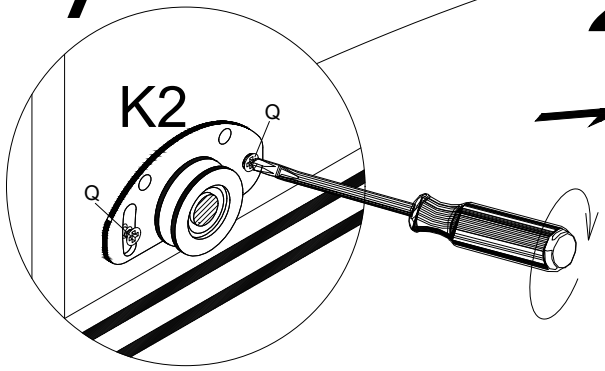
A



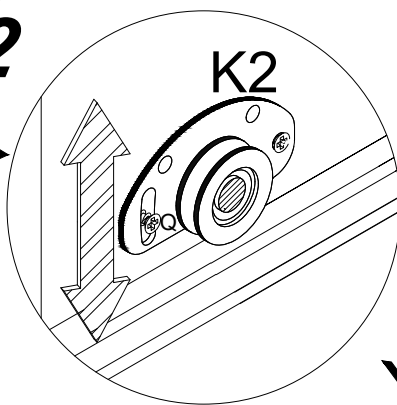
B



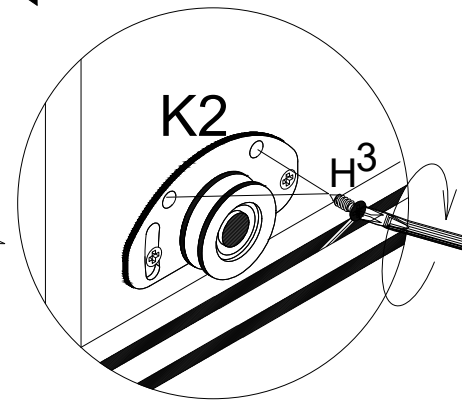
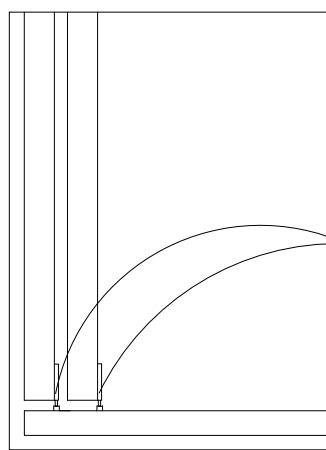
1



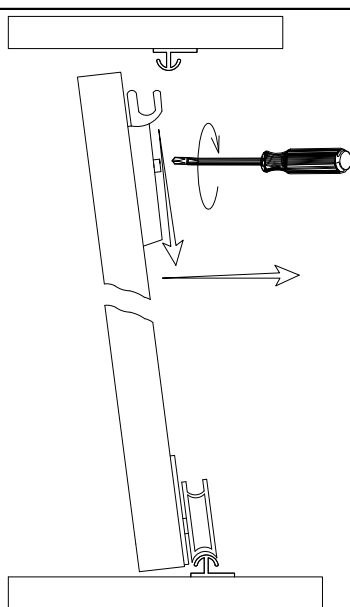
2



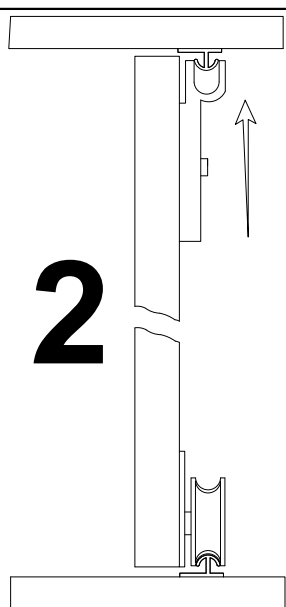
3



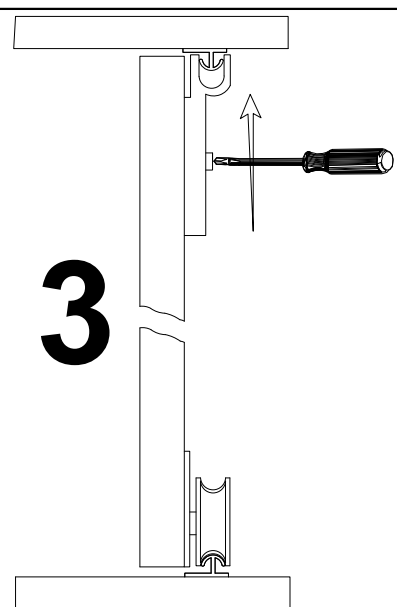
1



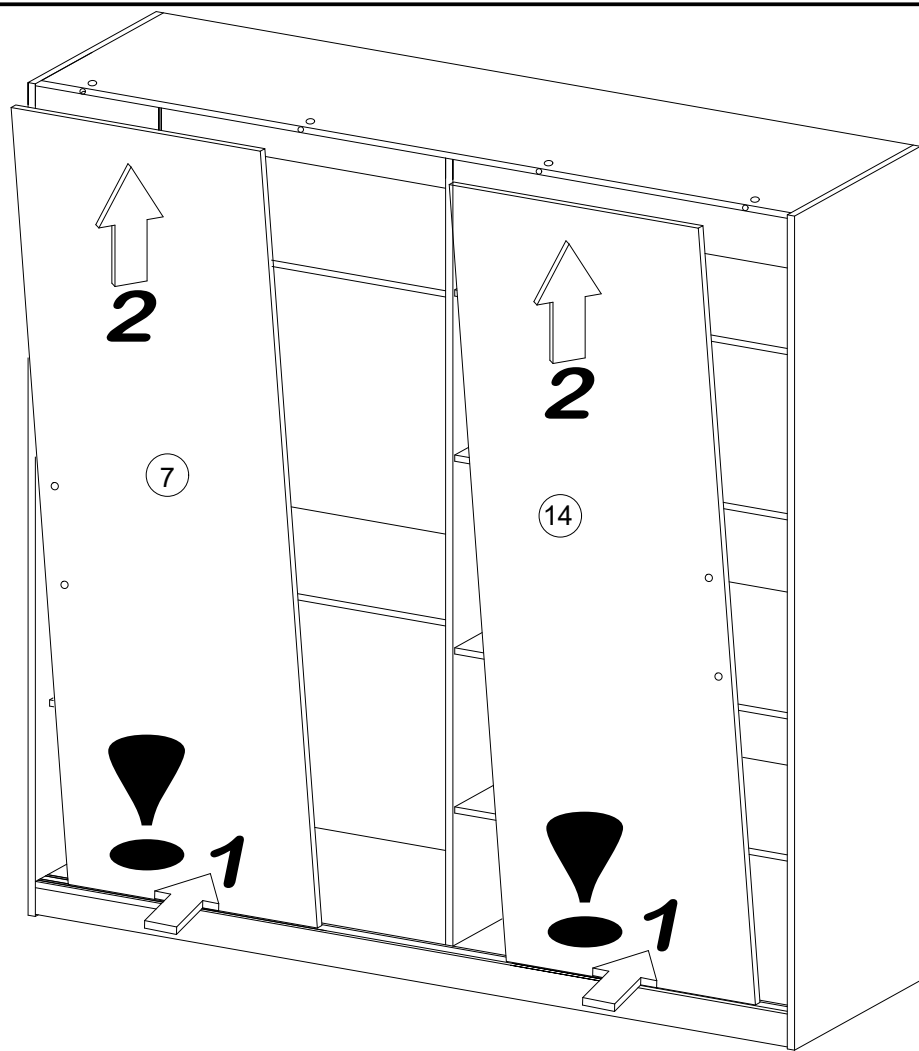
2



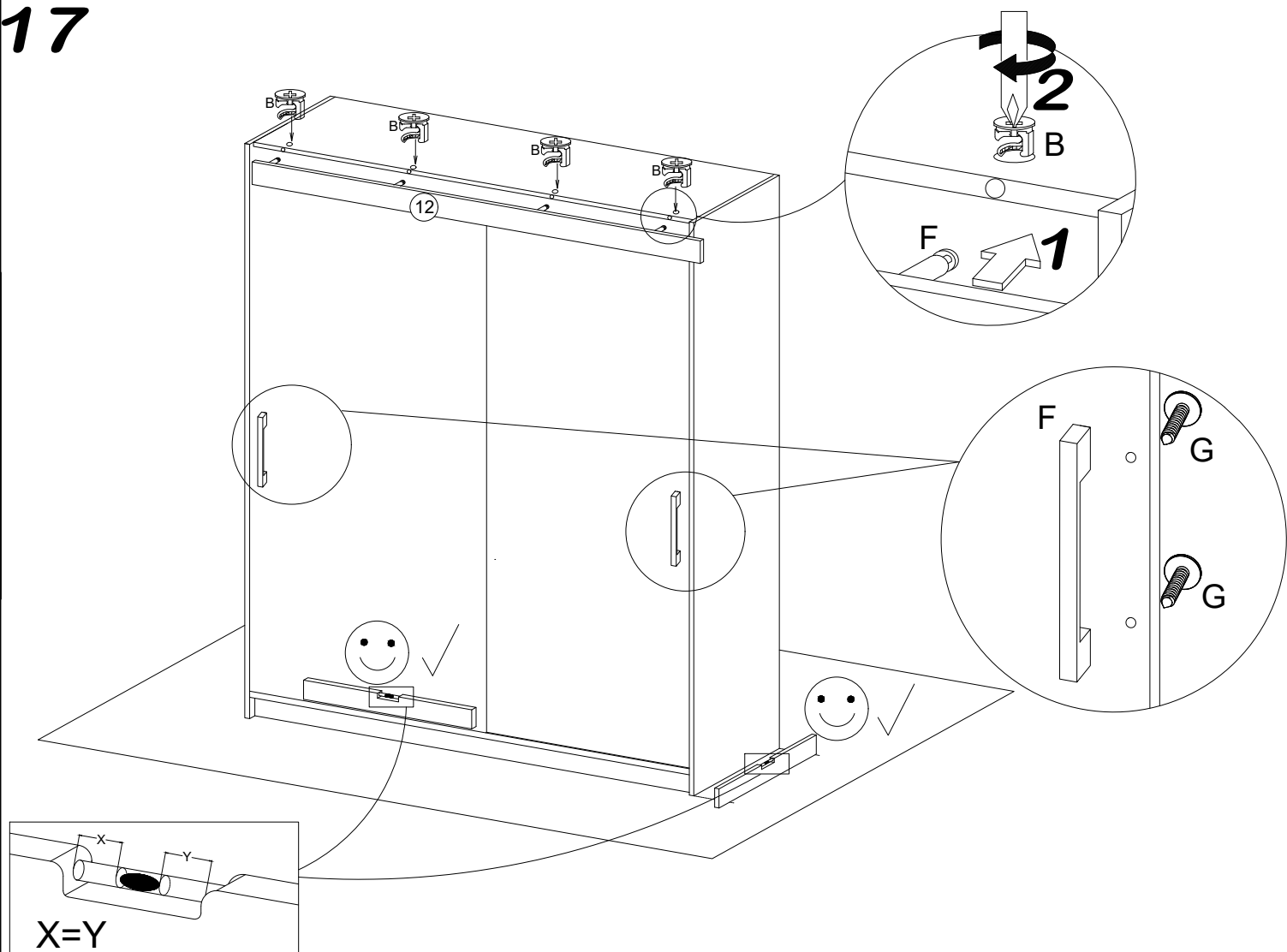
3



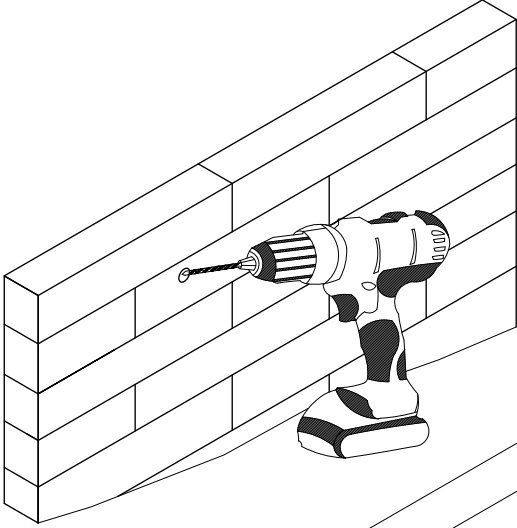
16





17

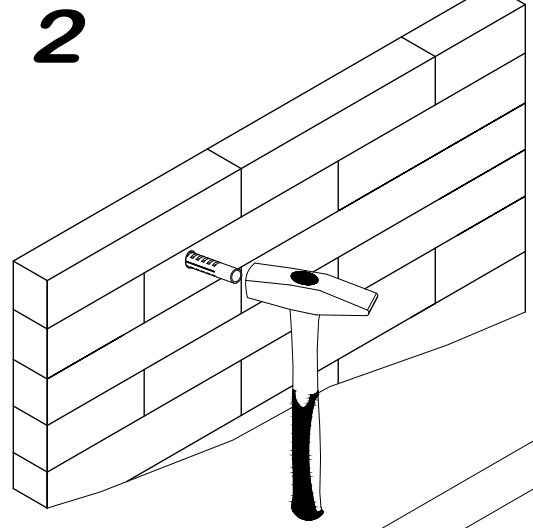


1

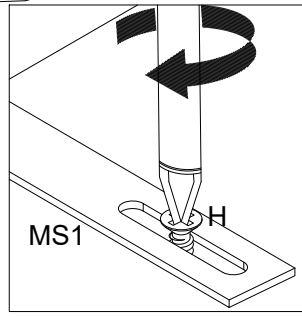
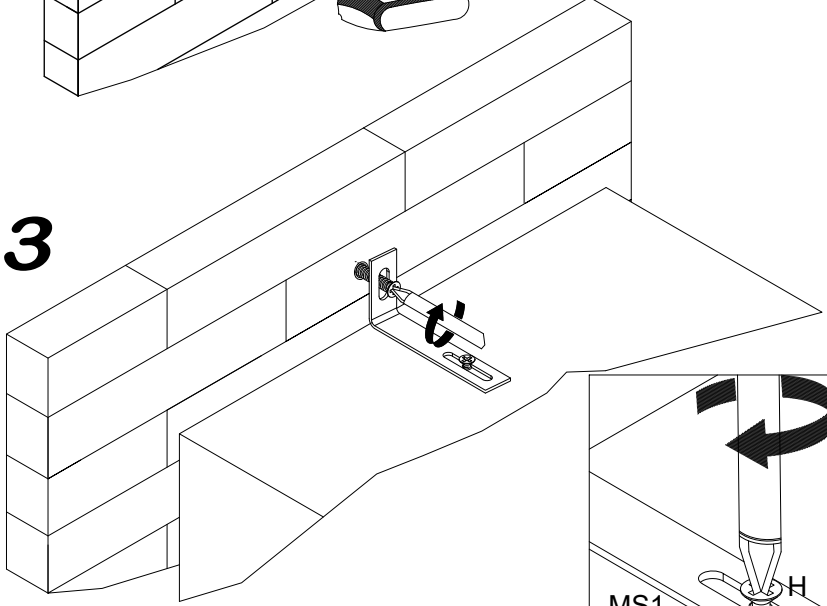


| | |
|--|--|
| 3.5x16 | |
|  |  |
| H | MS1 |
| 1 | 1 |

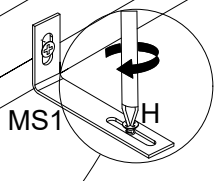
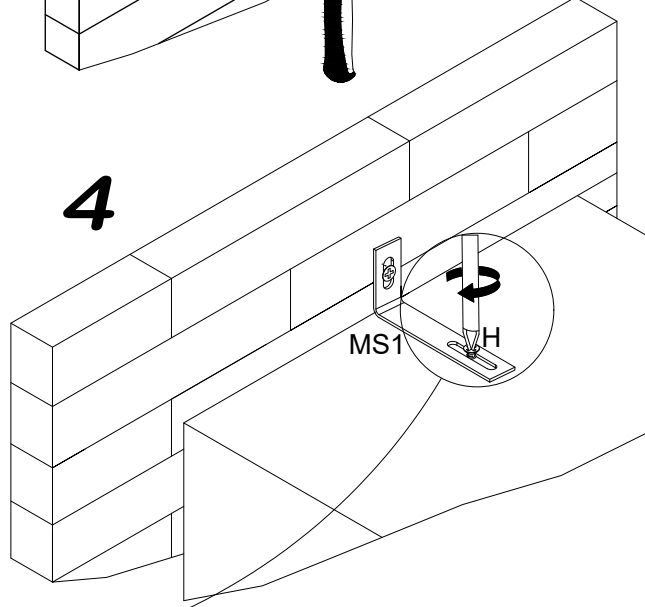
2

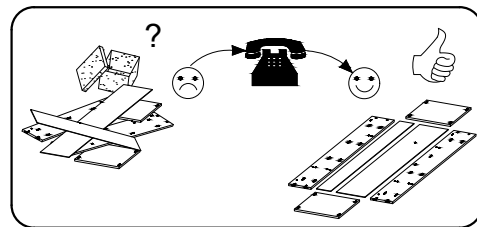
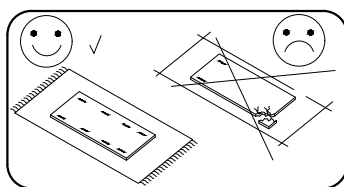
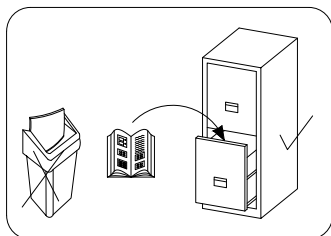
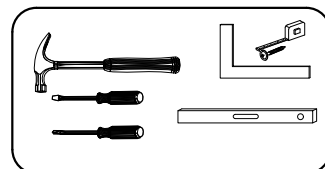
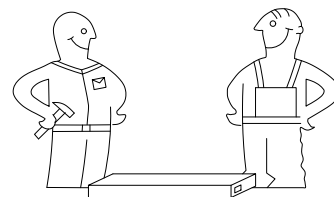













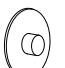










3

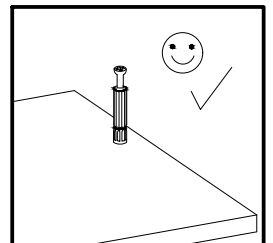
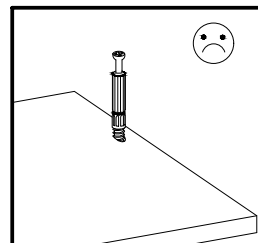
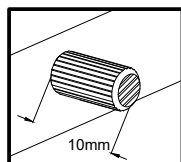
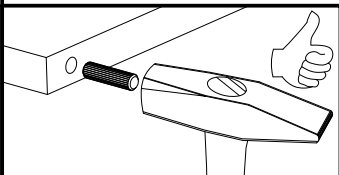
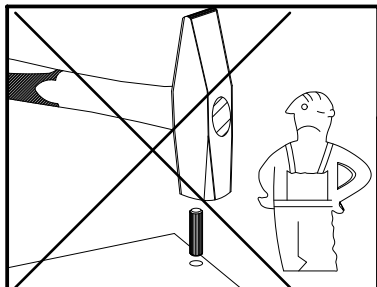


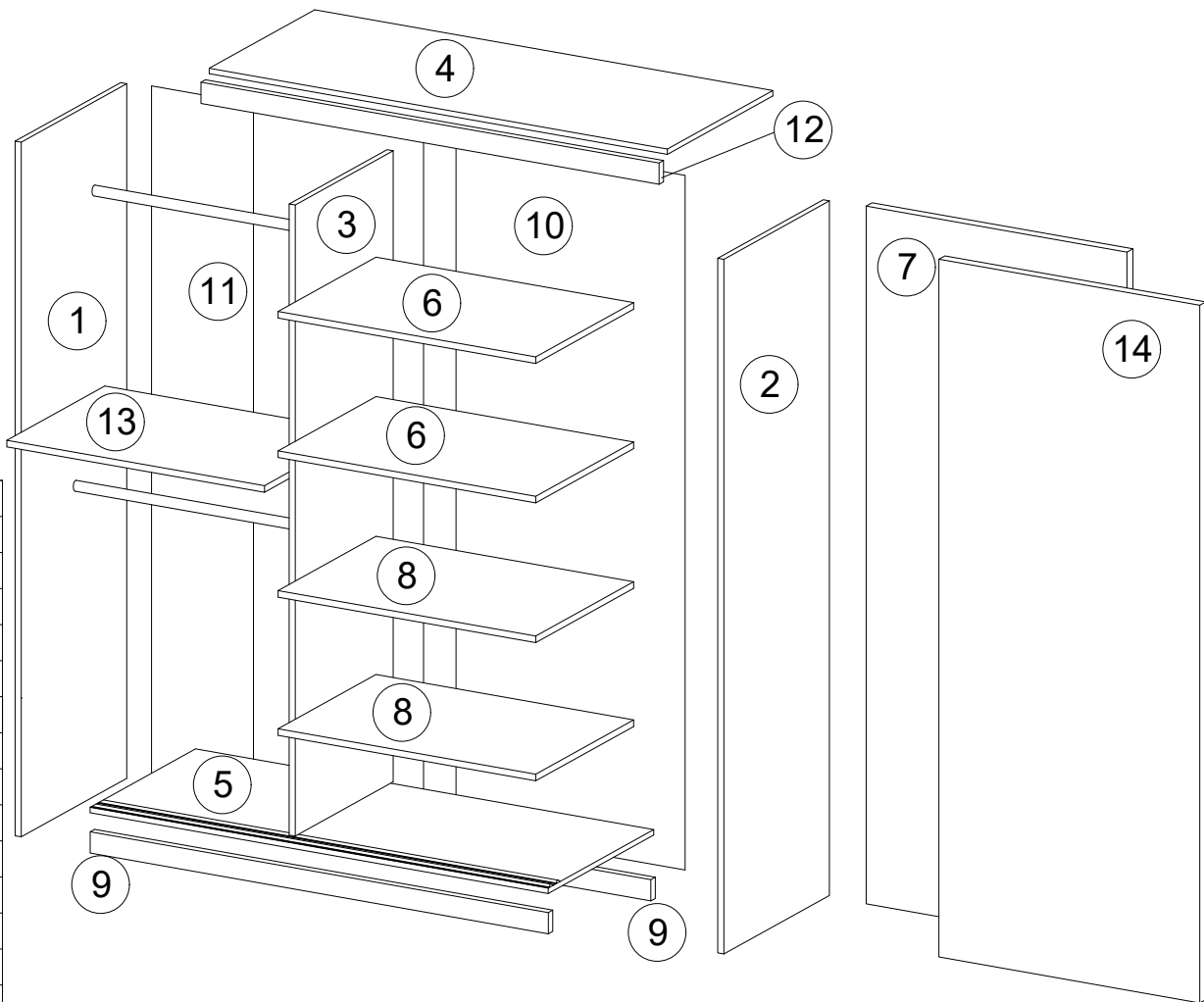
4



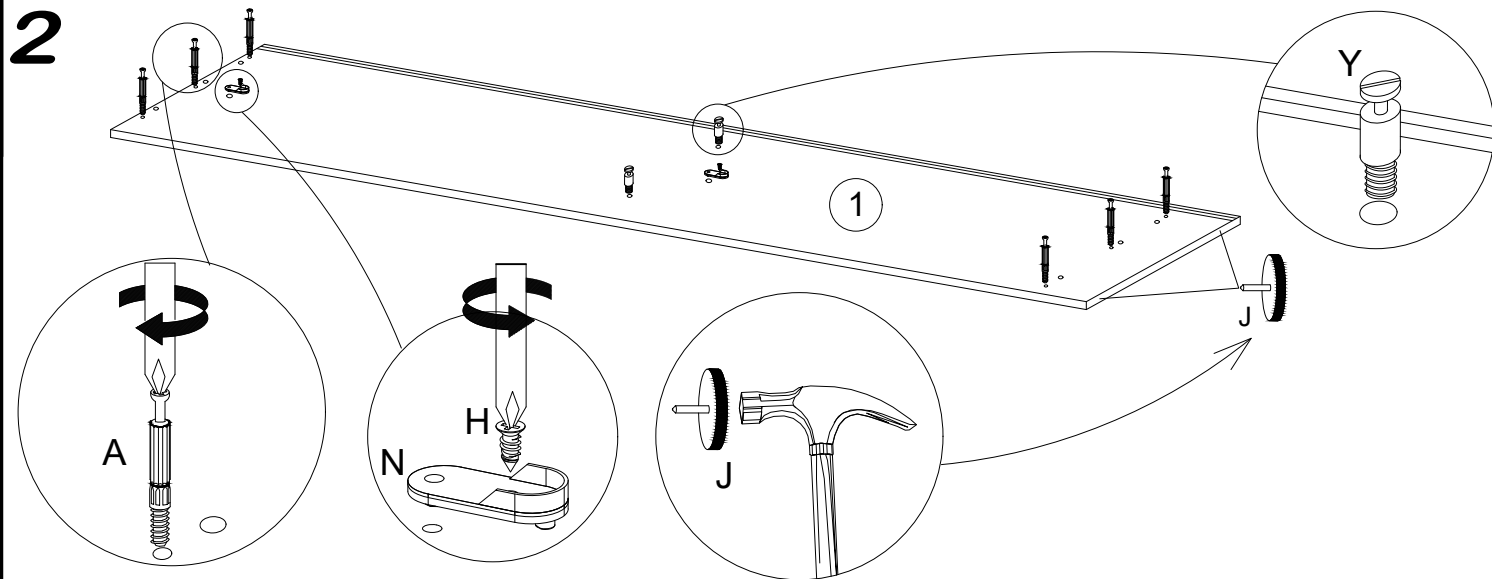
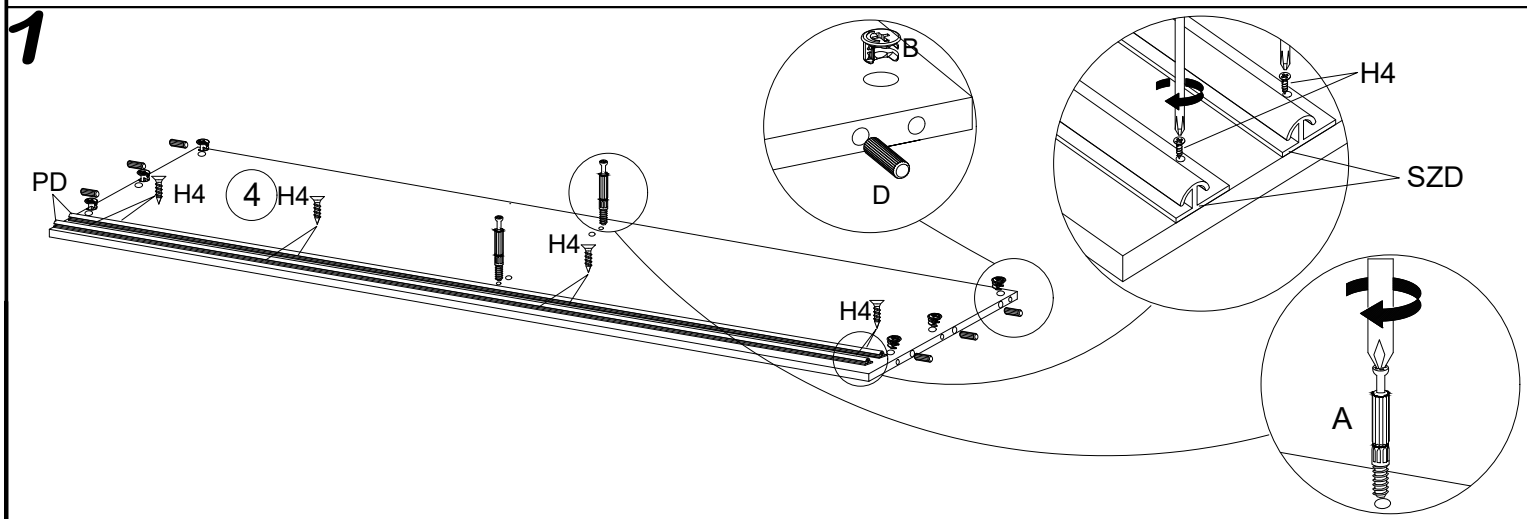


| | | | | | | | | | | |
|--|--|--|---|--|--|--|--|---|---|---|
| 8.0x35  D | 4.0x25  G |  Y |  A |  B | 3.5x16  H |  V |  N |  K2 |  K1 |  S3 |
| 16 | 4 | 12 | 28 | 28 | 24 | 12 | 4 | 4 | 4 | 8 |
|  X |  F |  S |  S1 |  I | L-465  V1 | L-1850  L | 6.3x13  Q |  J |  PD |  H4 |
| 20 | 2 | 19 | 40 | 30 | 2 | 1 | 8 | 8 | 4 | 16 |

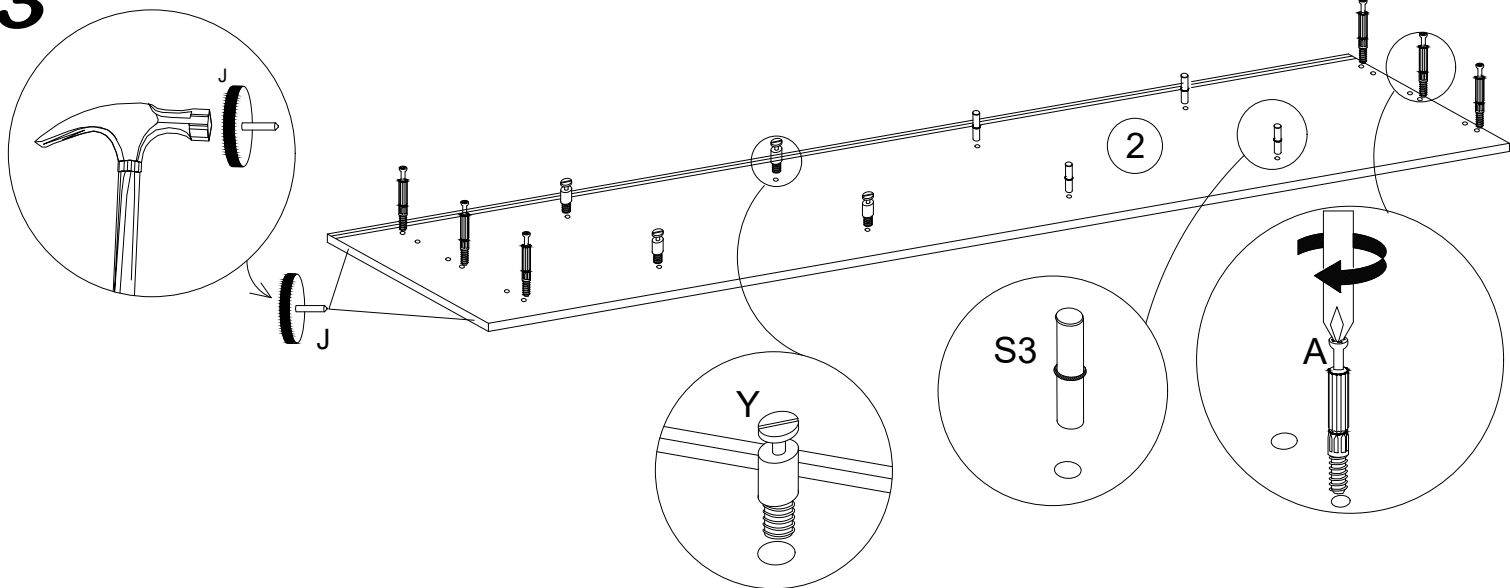




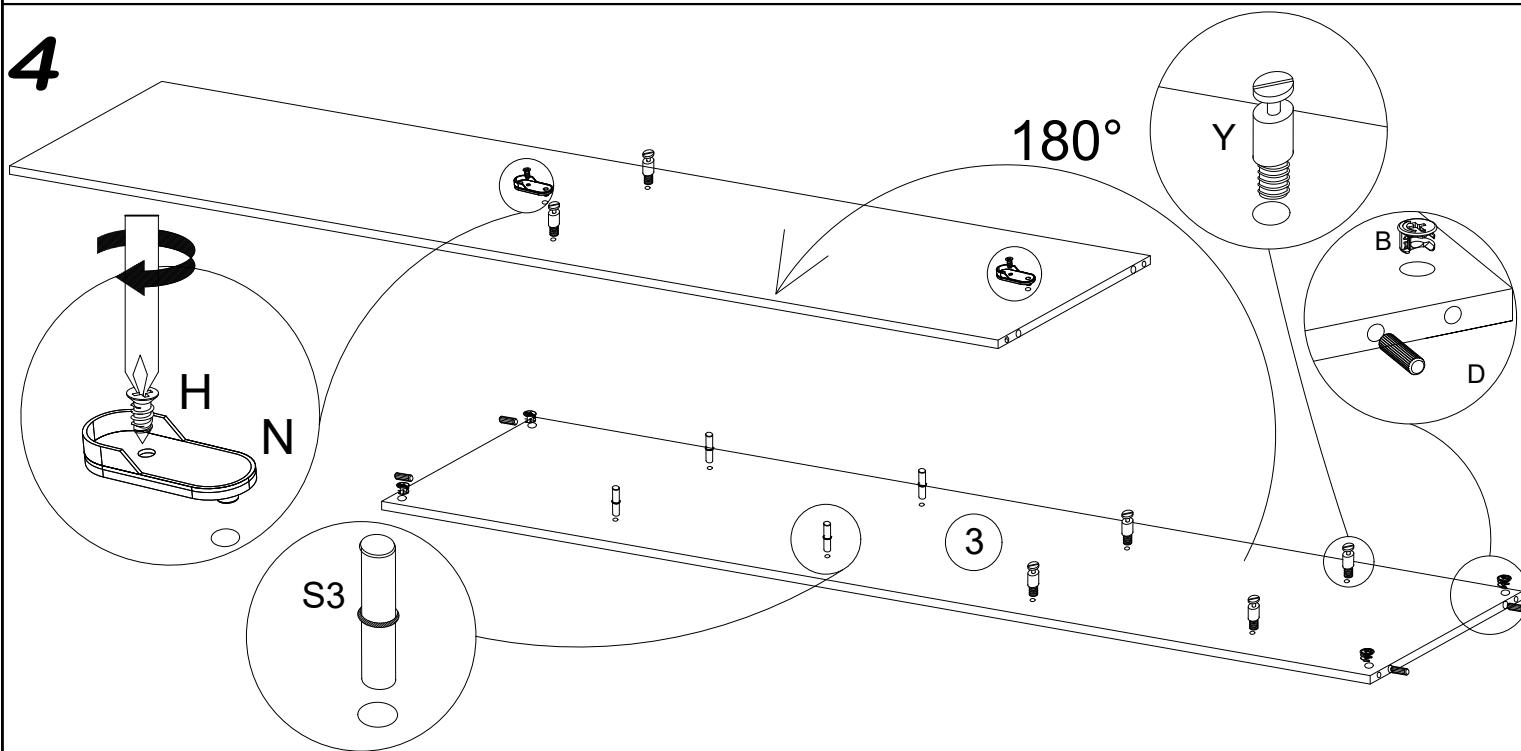
| No. | Pcs. | L | W | D |
|-----|------|------|-----|----|
| 1. | 1 | 2000 | 620 | 16 |
| 2. | 1 | 2000 | 620 | 16 |
| 3. | 1 | 1888 | 480 | 16 |
| 4. | 1 | 1468 | 582 | 16 |
| 5. | 1 | 1468 | 600 | 16 |
| 6. | 2 | 475 | 480 | 16 |
| 7. | 1 | 1873 | 750 | 16 |
| 8. | 2 | 475 | 480 | 16 |
| 9. | 2 | 1468 | 80 | 16 |
| 10. | 1 | 1918 | 492 | 3 |
| 11. | 2 | 1918 | 496 | 3 |
| 12. | 1 | 1468 | 70 | 16 |
| 13. | 1 | 976 | 480 | 16 |
| 14. | 1 | 1873 | 750 | 16 |



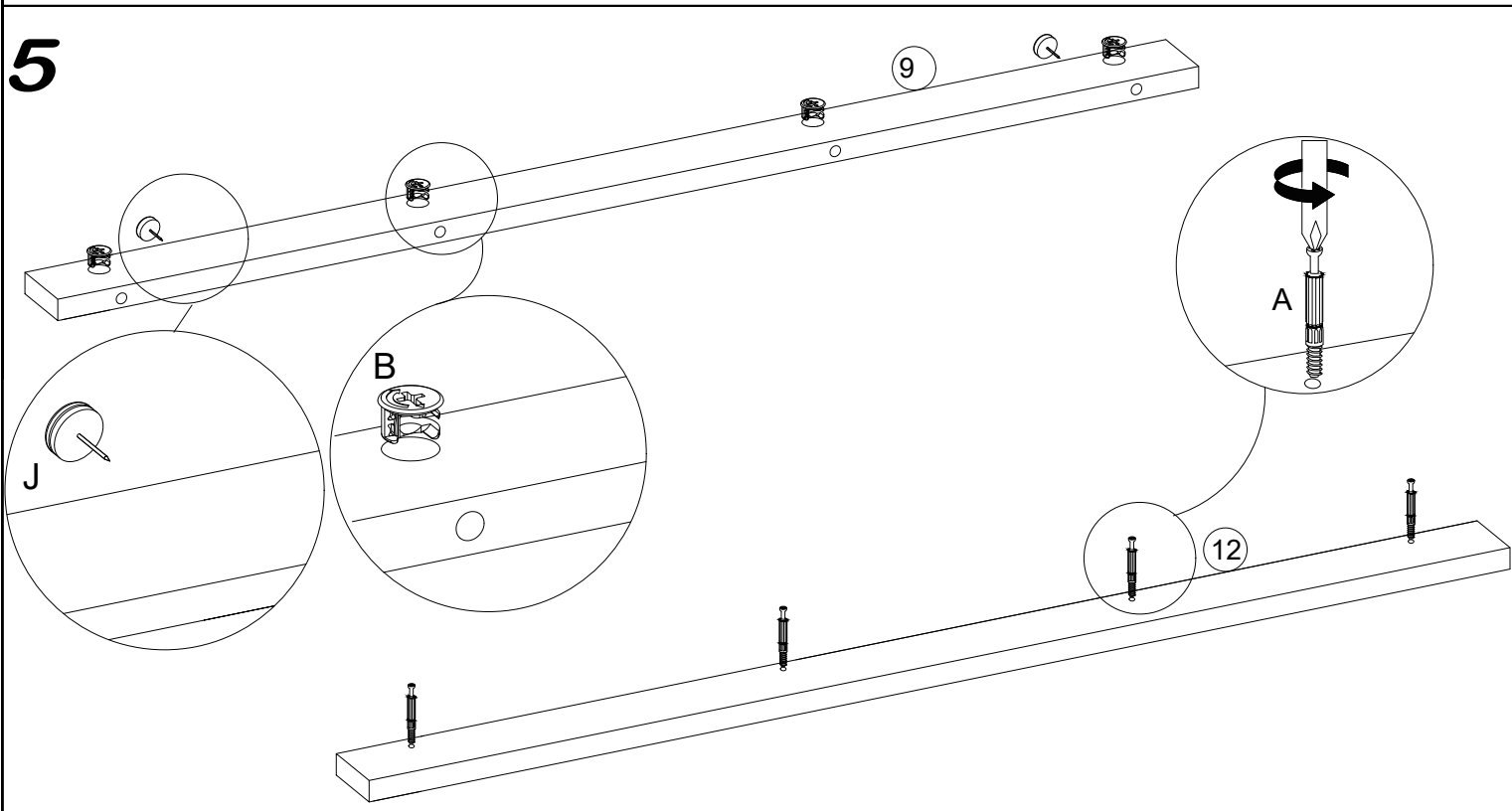
3



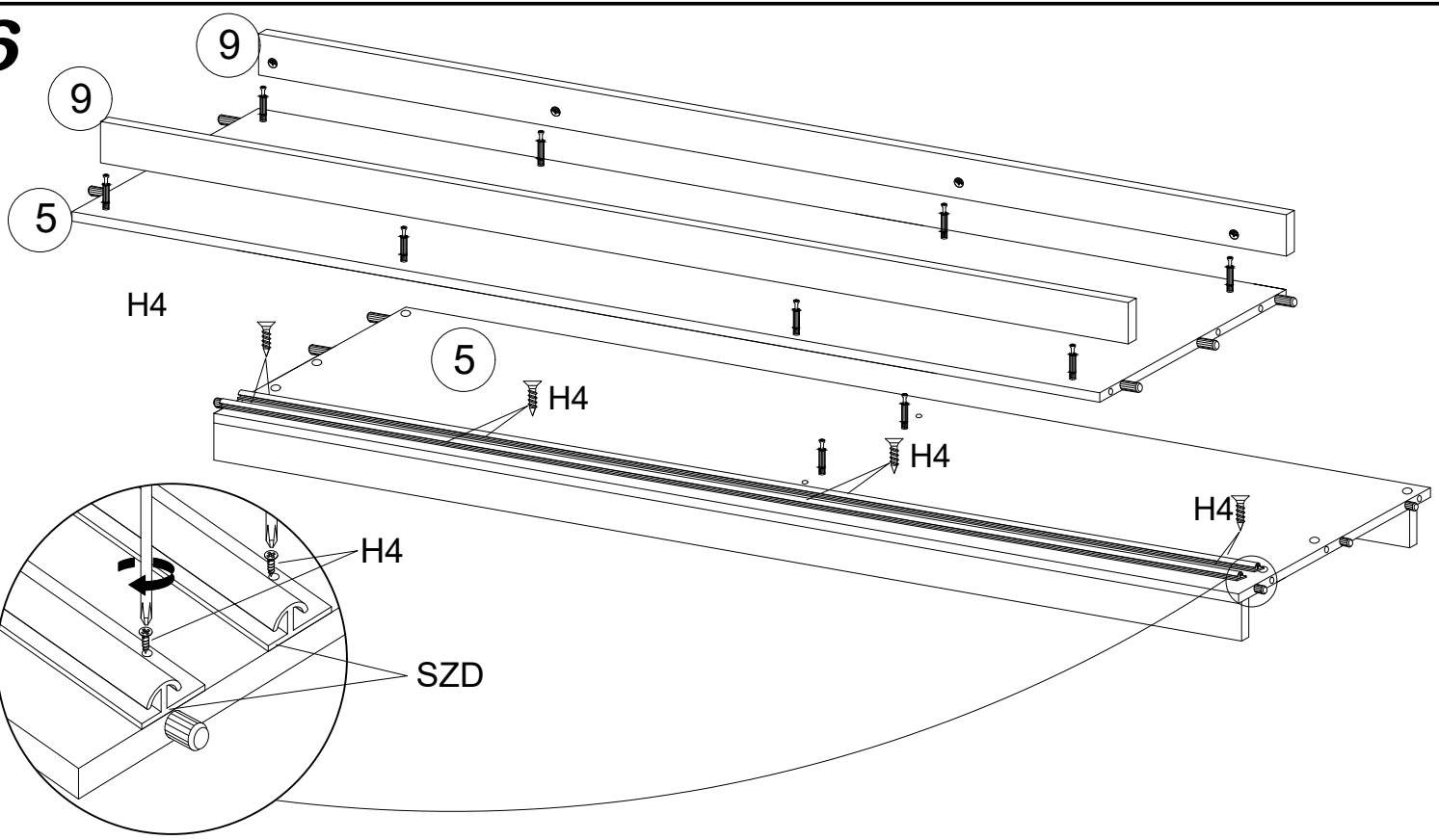
4



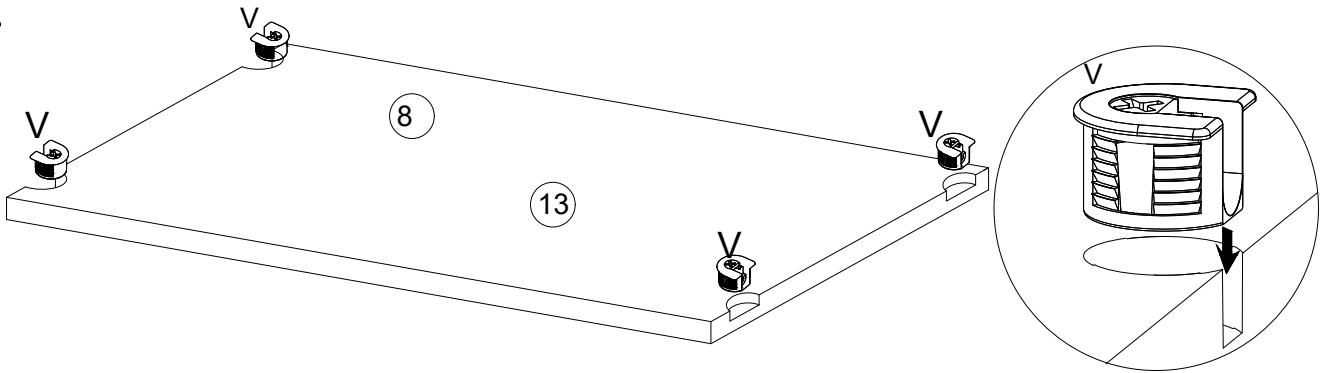
5



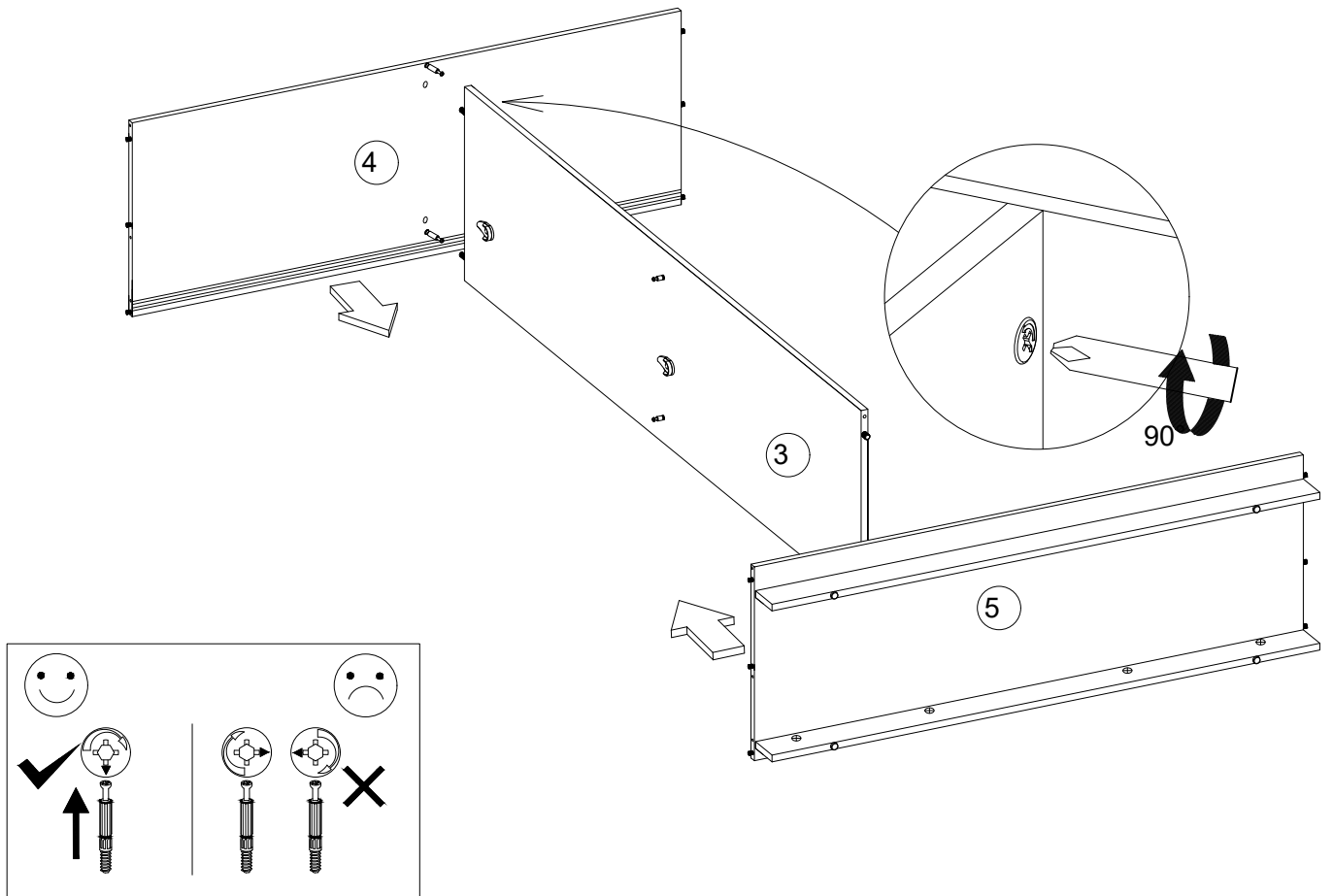
6



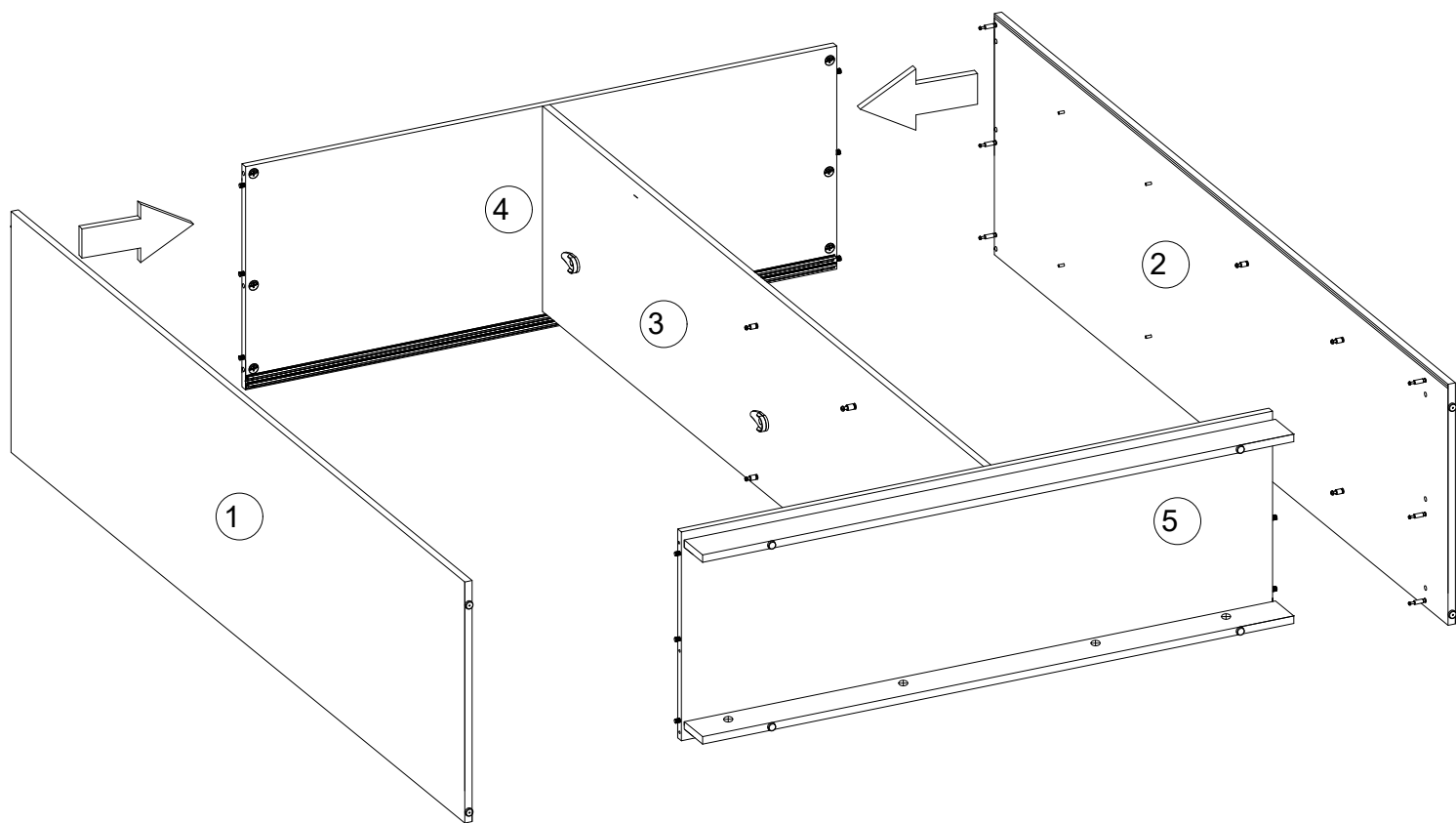
7



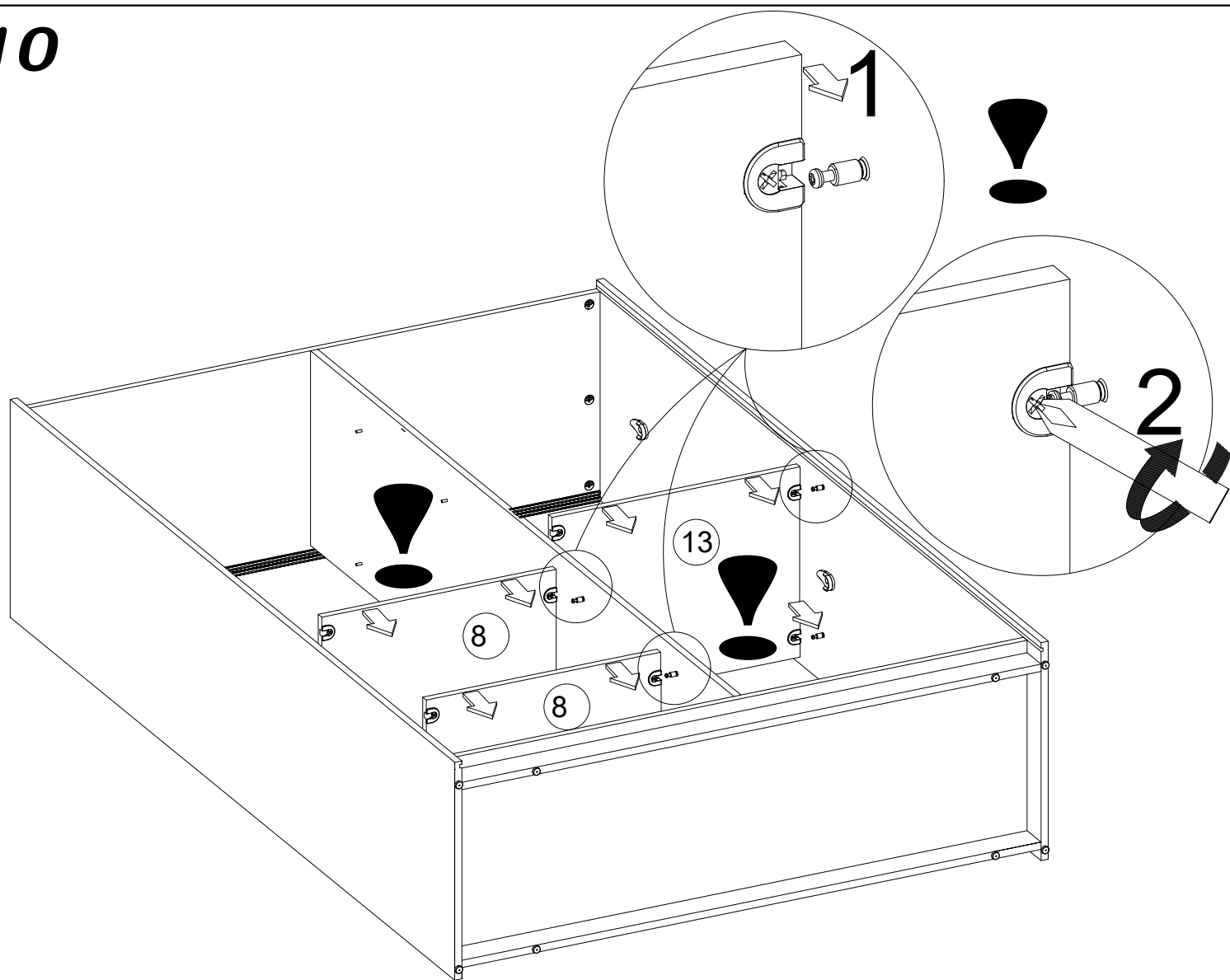
8



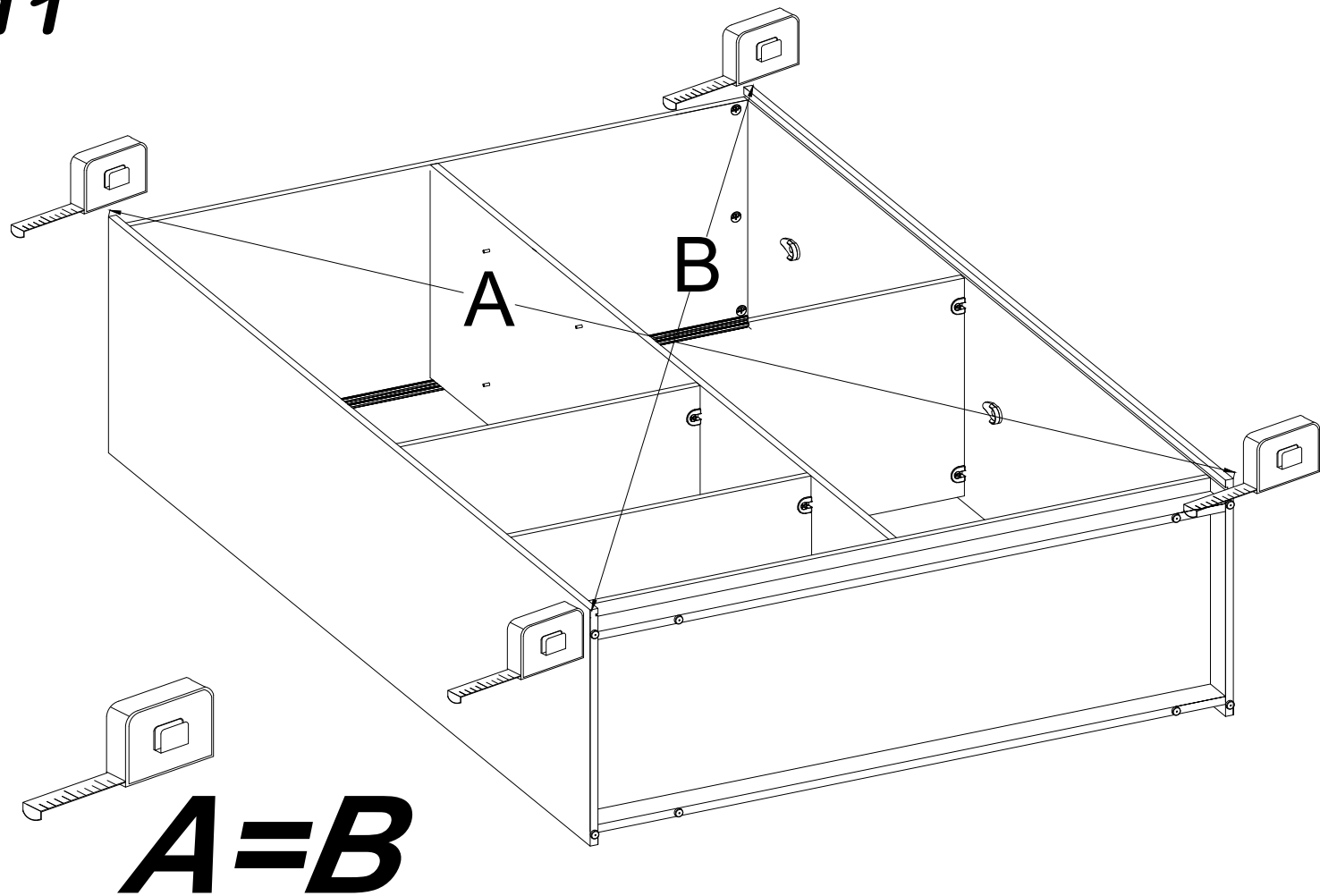
9



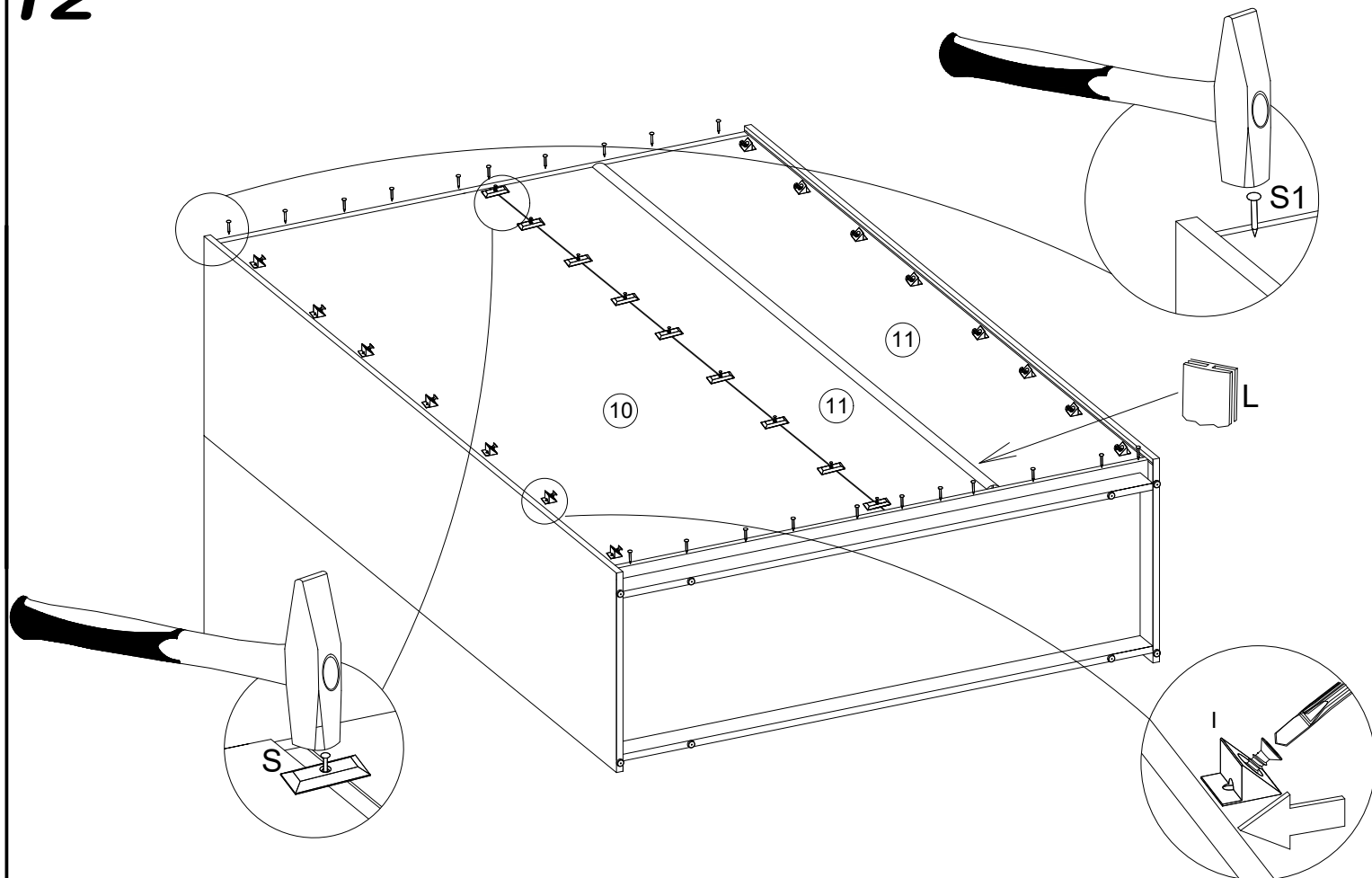
10



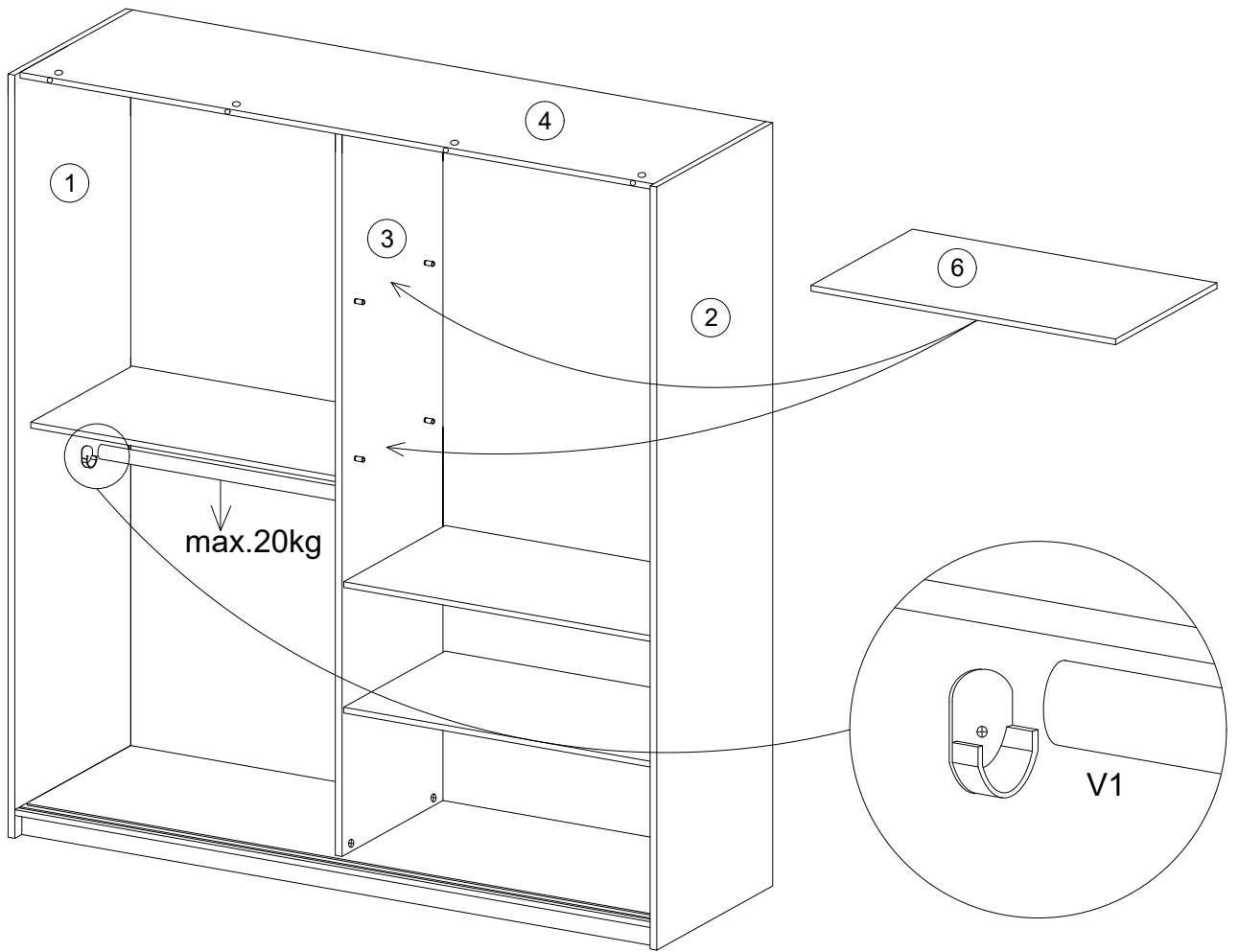
11



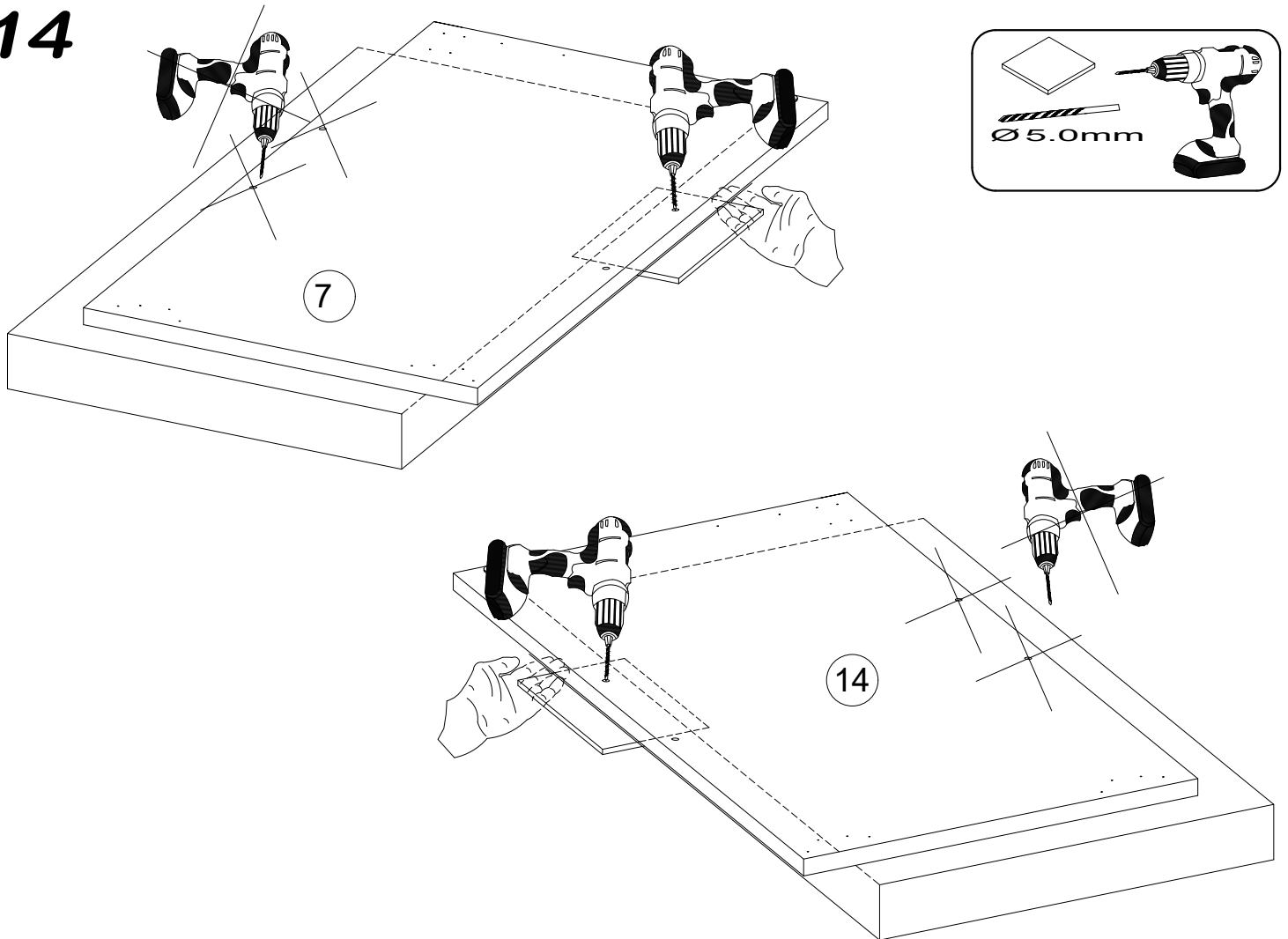
12



13

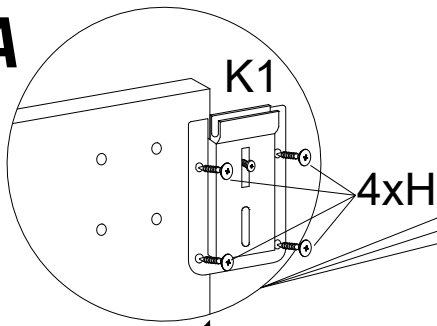


14

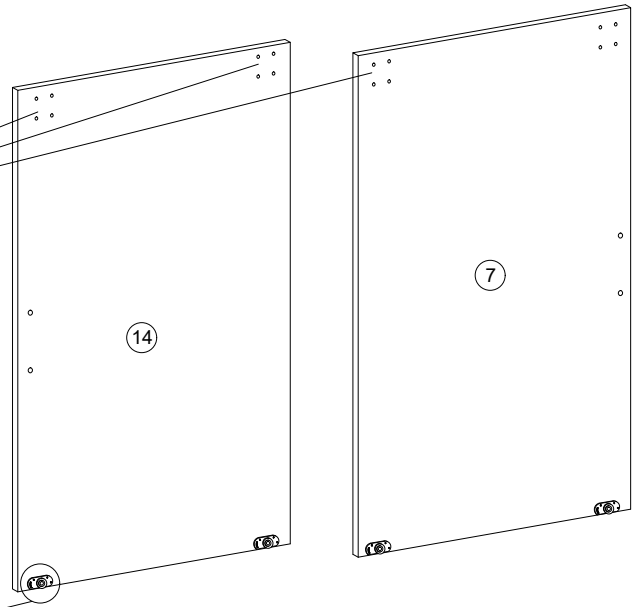
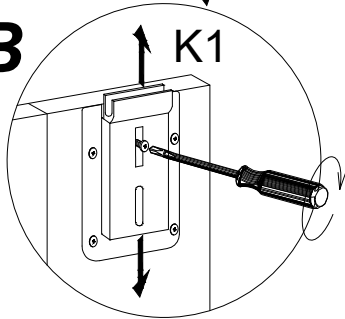


15

A

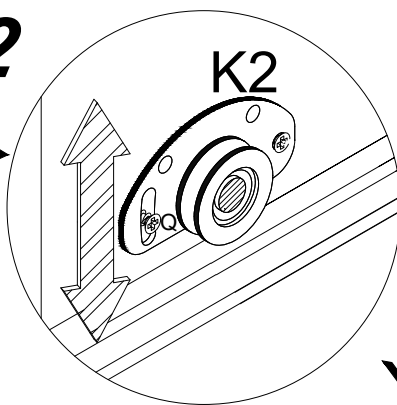
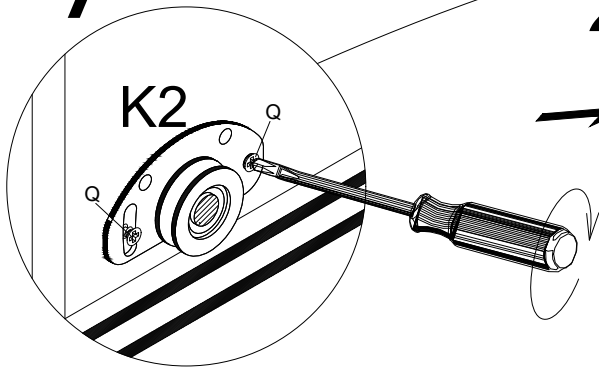


B

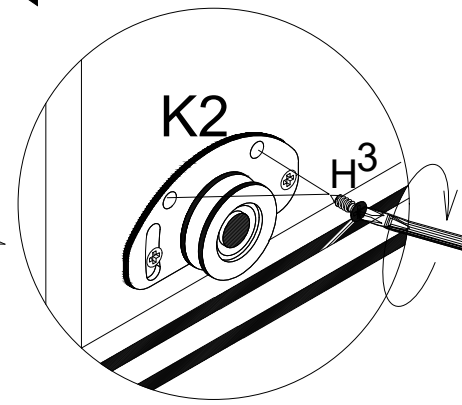
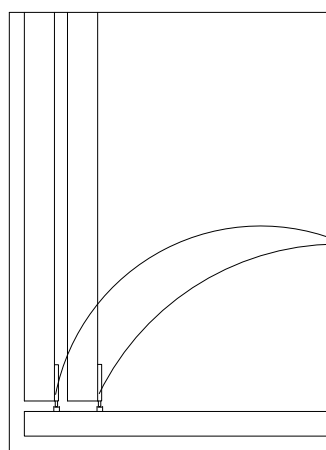


1

2



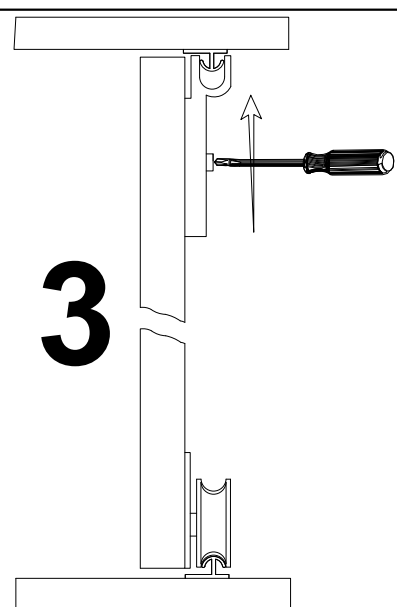
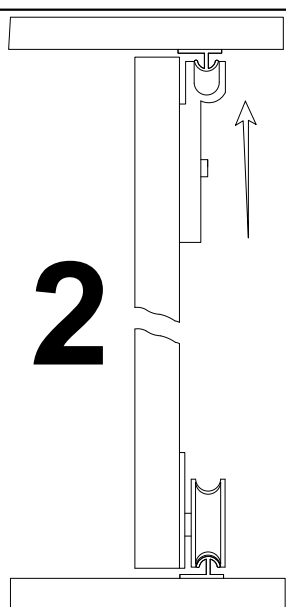
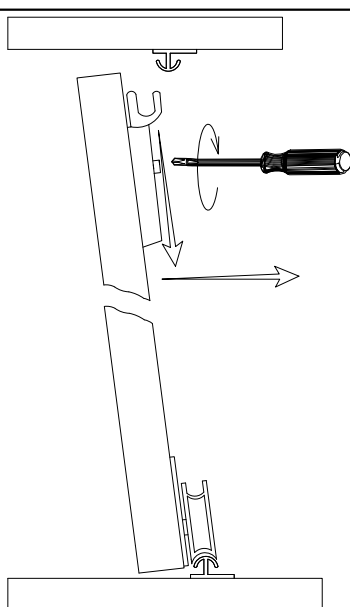
3



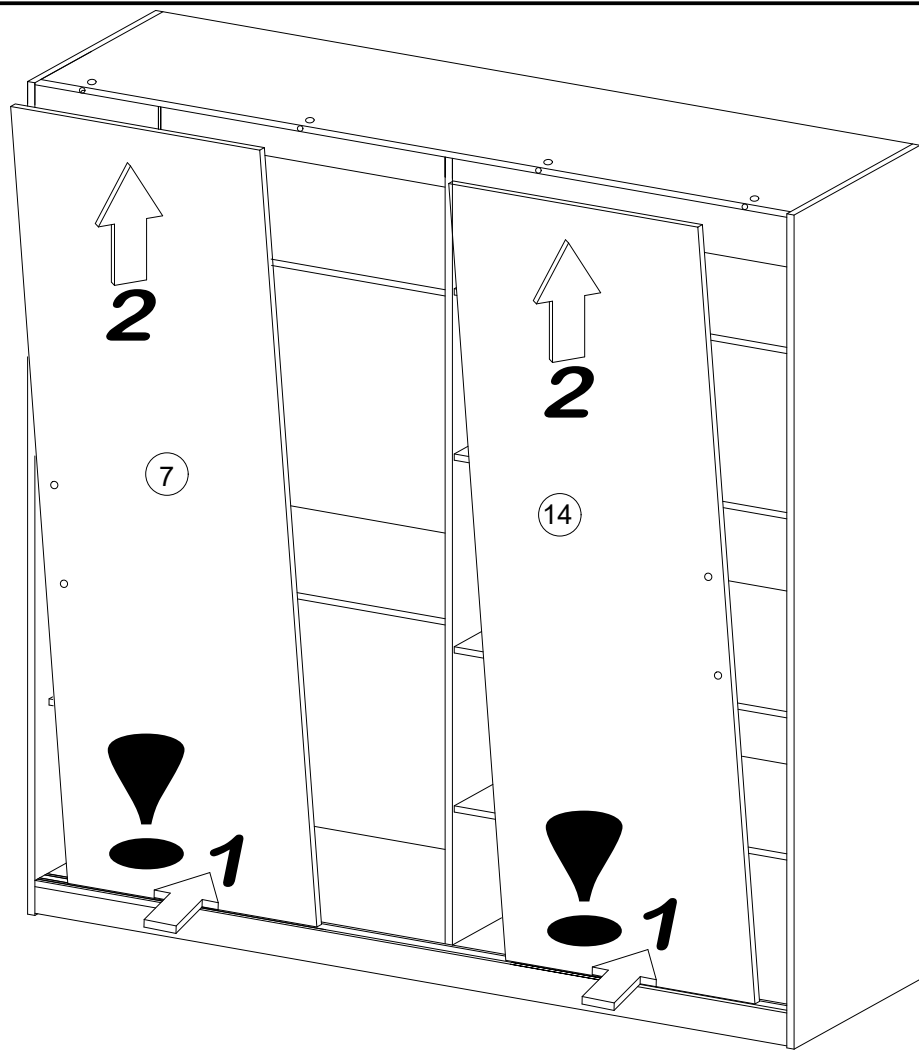
1

2

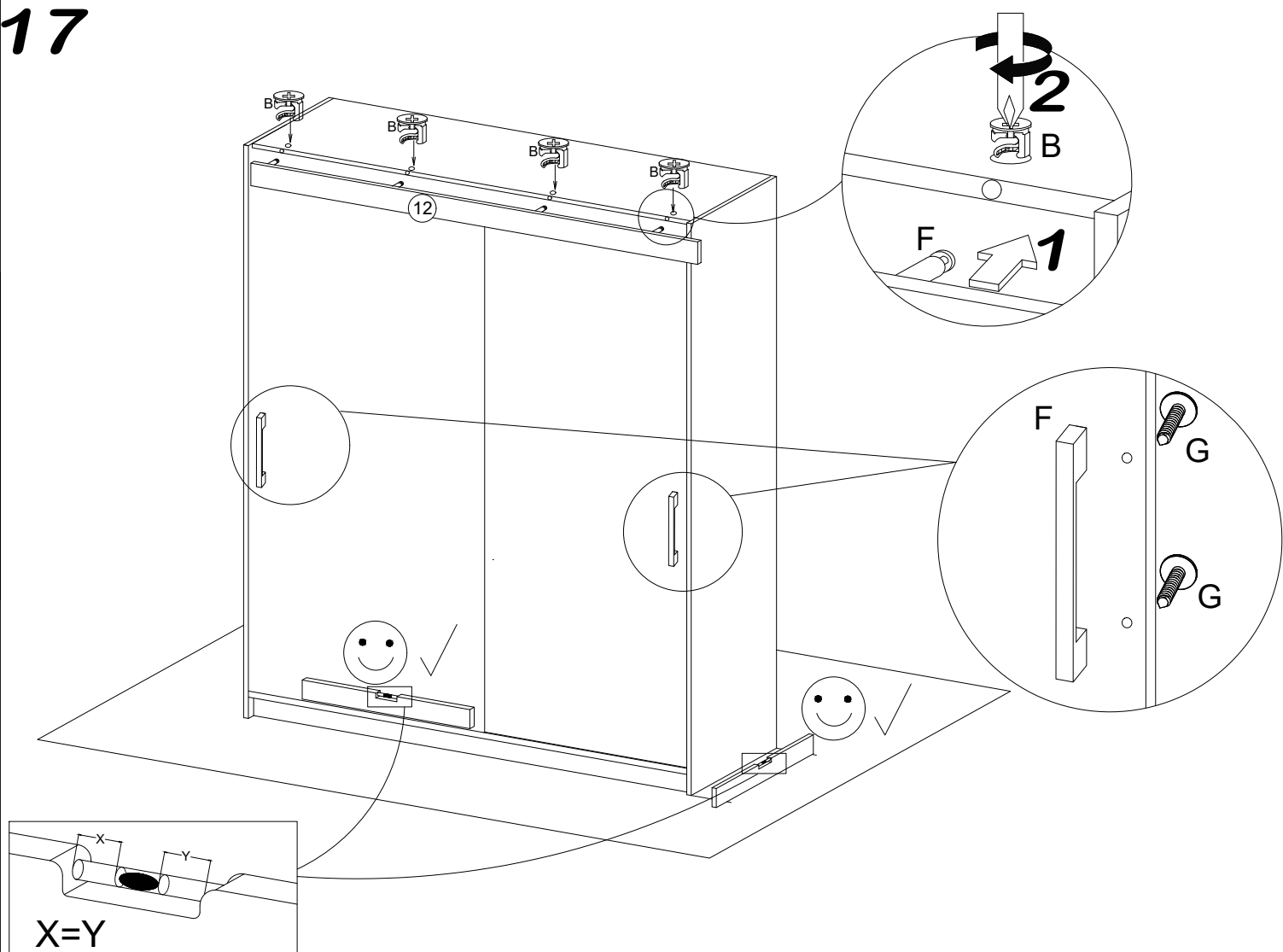
3



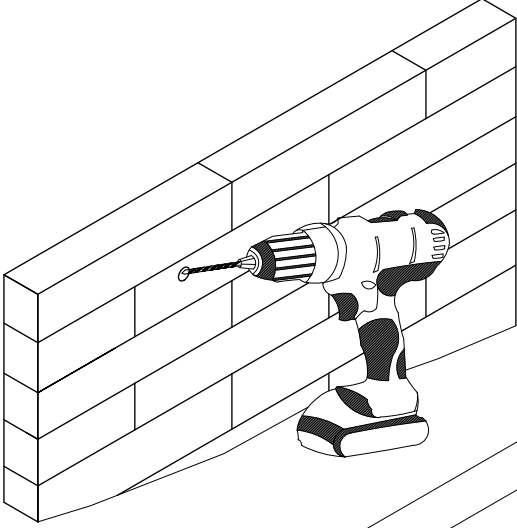
16


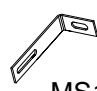


17

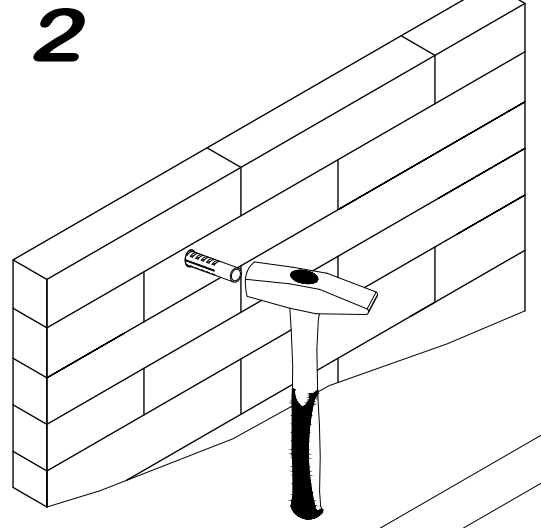


1

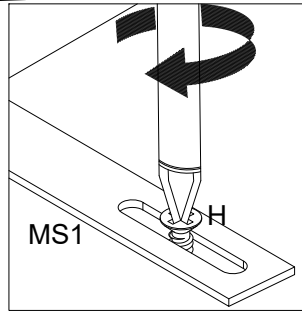
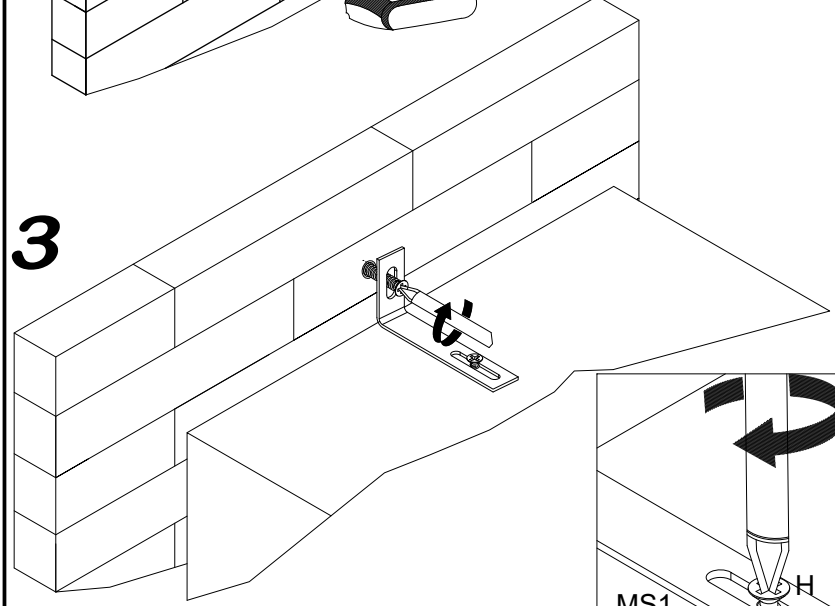


| | |
|---|--|
| 3.5x16 | |
|  |  |
| H | MS1 |
| 1 | 1 |

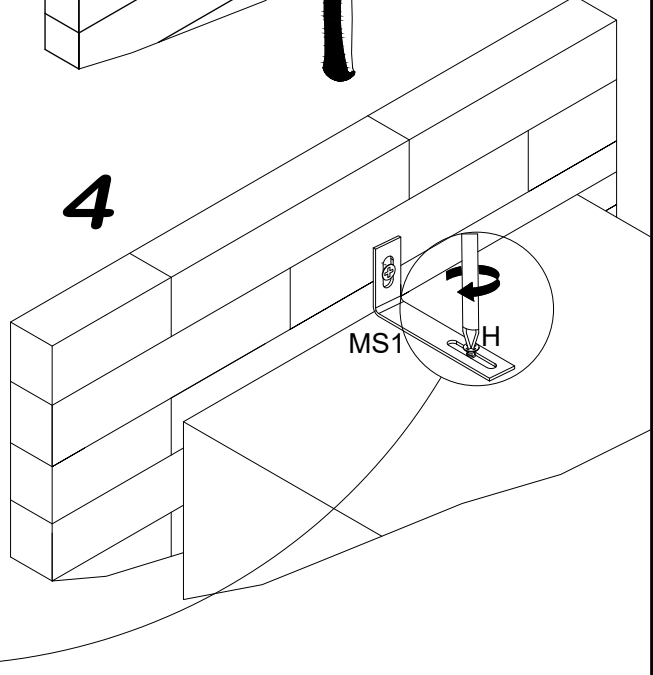
2

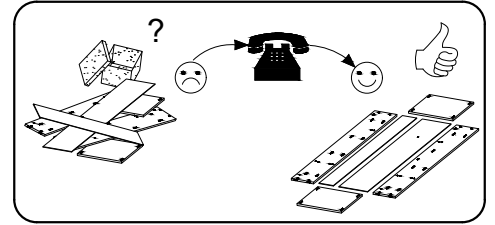
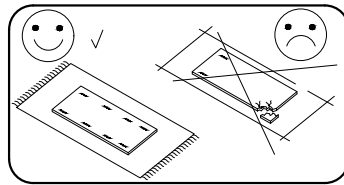
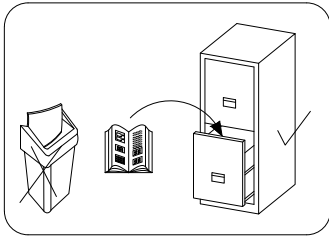
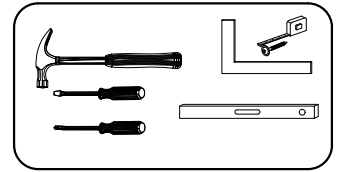
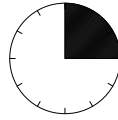
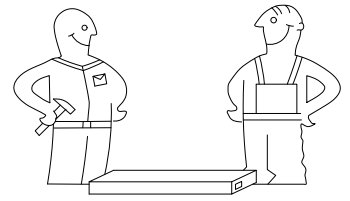


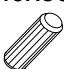







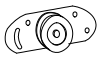

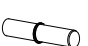




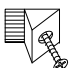
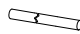





3

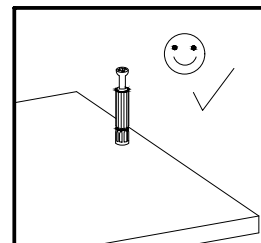
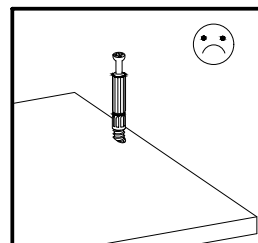
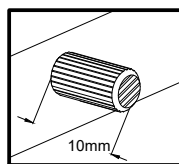
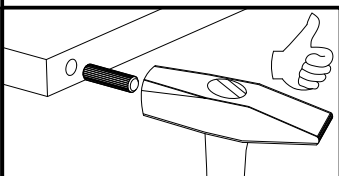
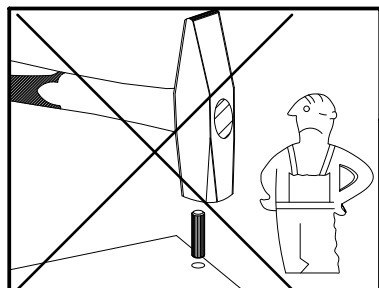
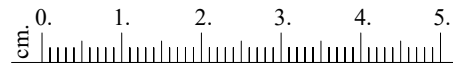


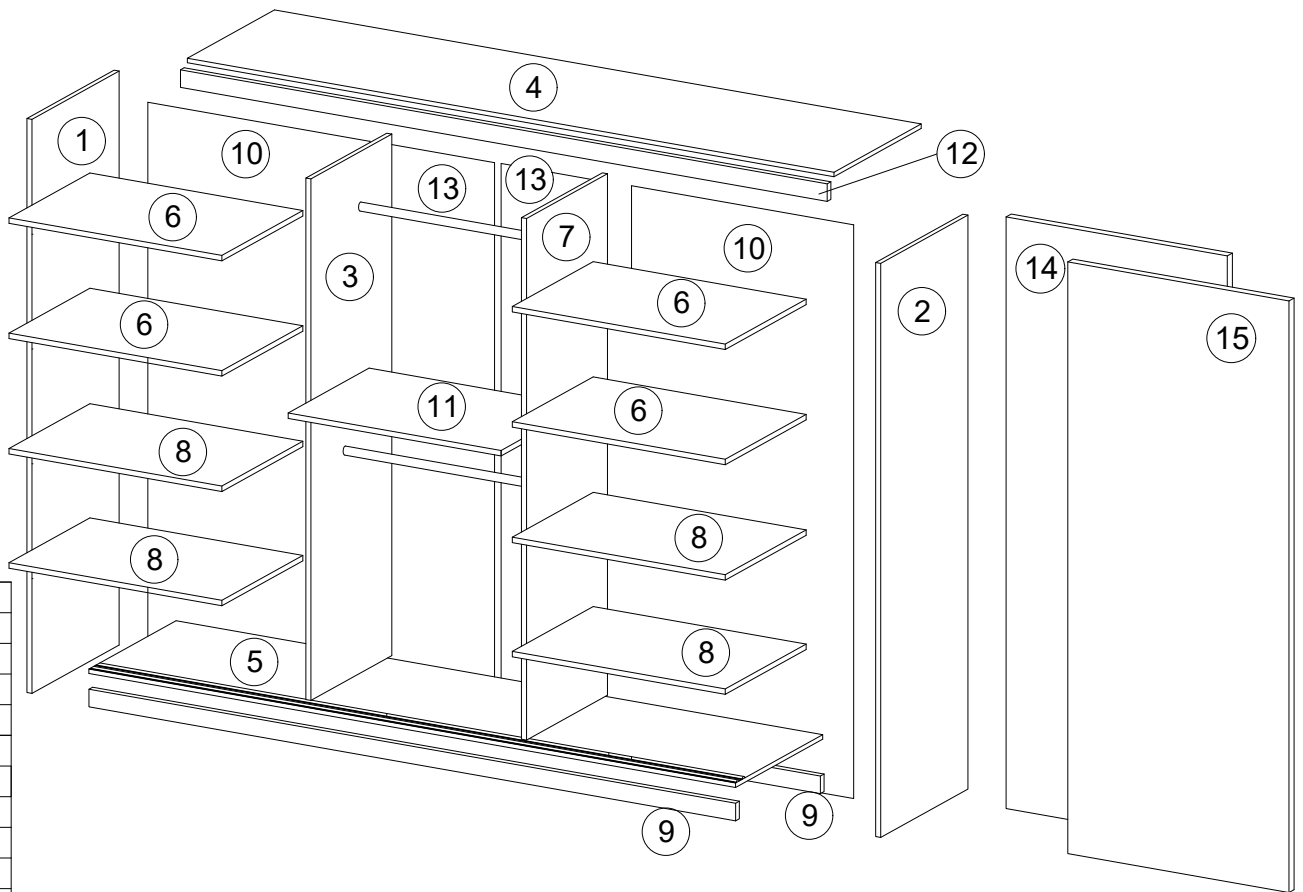
4



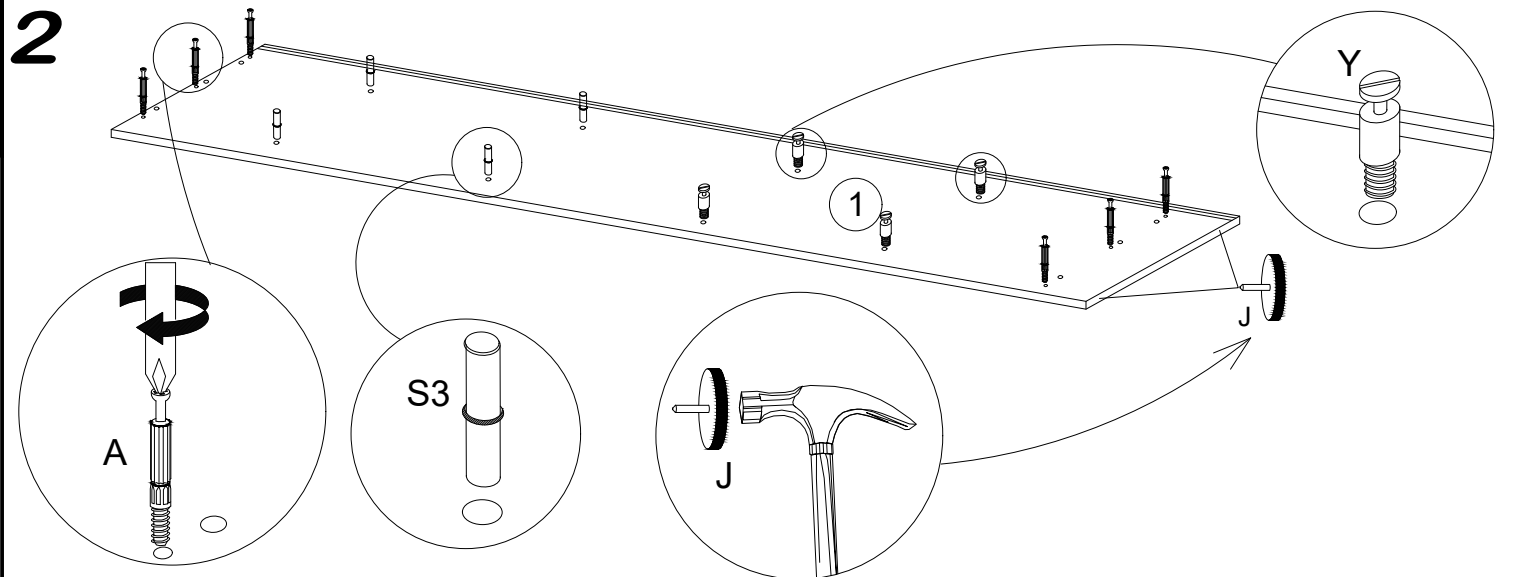
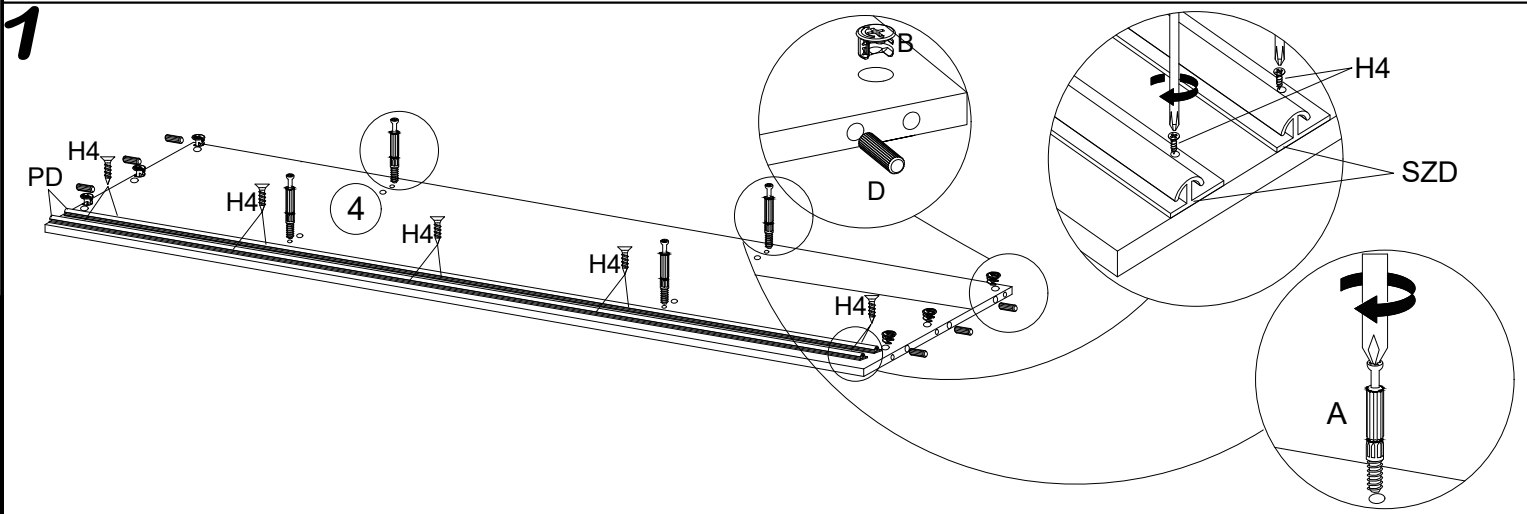


| | | | | | | | | | | |
|--|--|--|---|--|--|--|--|---|---|---|
| 8.0x35  D | 4.0x25  G |  Y |  A |  B | 3.5x16  H |  V |  N |  K2 |  K1 |  S3 |
| 20 | 4 | 20 | 38 | 38 | 28 | 20 | 4 | 4 | 4 | 16 |
|  X |  F |  S |  S1 |  I | L-775  V1 | L-1850  L | 6.3x13  Q |  J |  PD |  H4 |
| 30 | 2 | 38 | 80 | 30 | 2 | 1 | 8 | 10 | 4 | 20 |

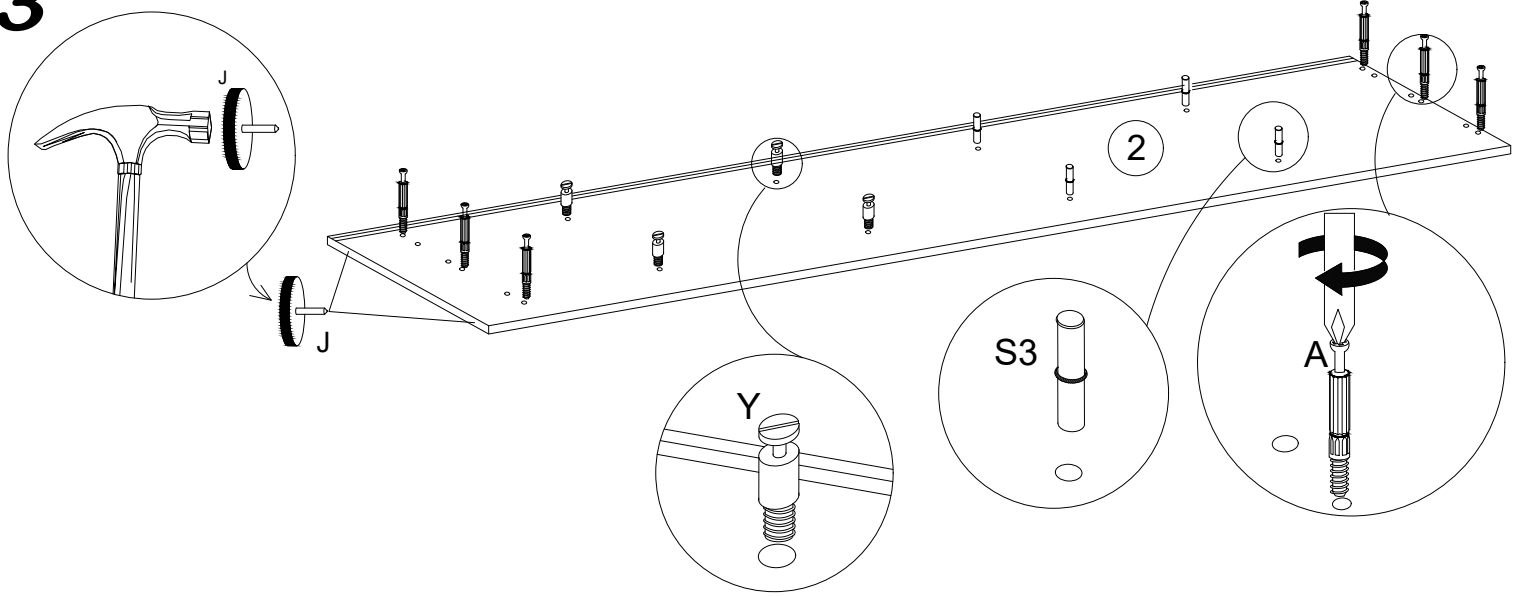




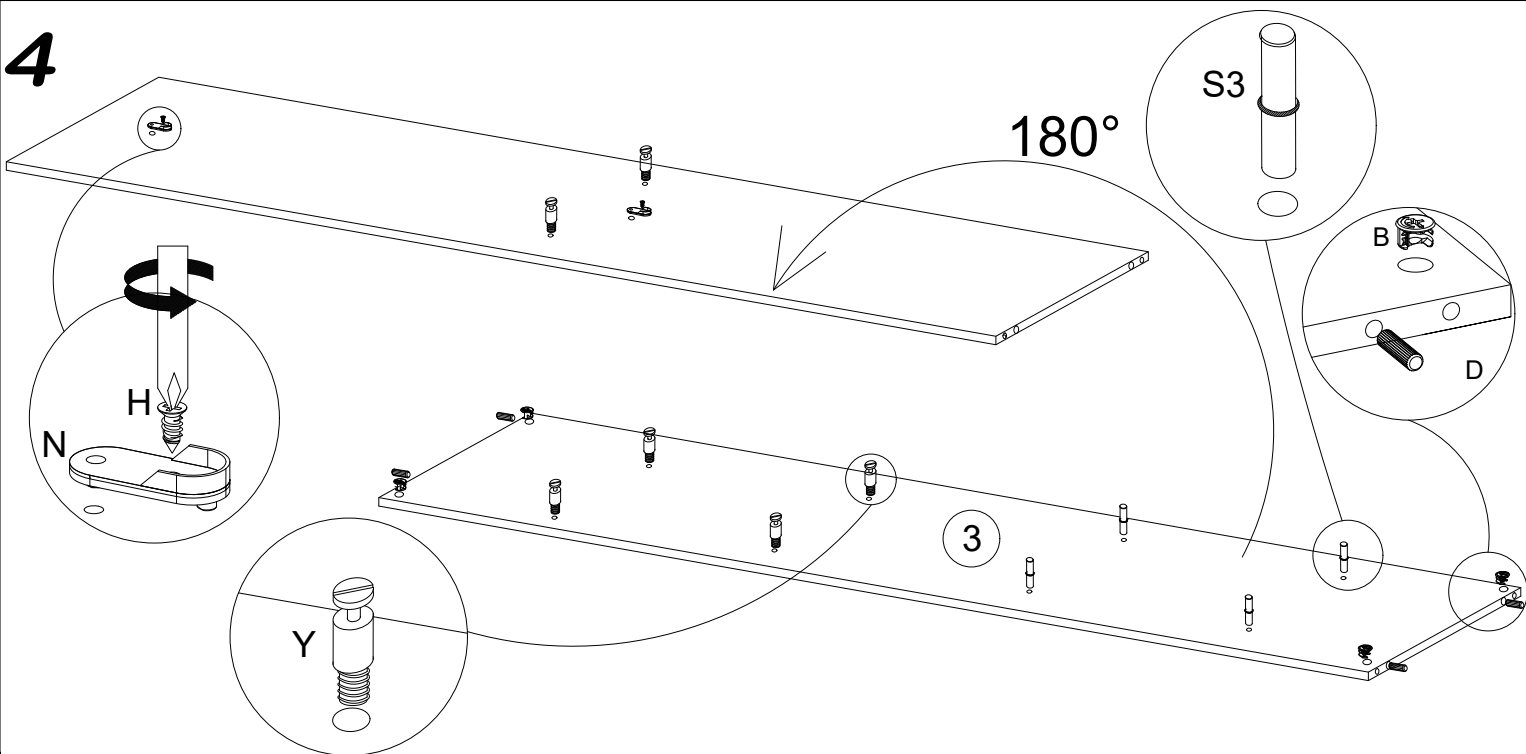
| No. | Pcs. | L | W | D |
|-----|------|------|-----|----|
| 1. | 1 | 2000 | 620 | 16 |
| 2. | 1 | 2000 | 620 | 16 |
| 3. | 1 | 1888 | 480 | 16 |
| 4. | 1 | 1768 | 582 | 16 |
| 5. | 1 | 1768 | 600 | 16 |
| 6. | 4 | 475 | 480 | 16 |
| 7. | 1 | 1888 | 480 | 16 |
| 8. | 4 | 475 | 480 | 16 |
| 9. | 2 | 1768 | 80 | 16 |
| 10. | 2 | 1918 | 492 | 3 |
| 11. | 1 | 785 | 480 | 16 |
| 12. | 1 | 1768 | 70 | 16 |
| 13. | 2 | 1918 | 398 | 3 |
| 14. | 1 | 1873 | 900 | 16 |
| 15. | 1 | 1873 | 900 | 16 |



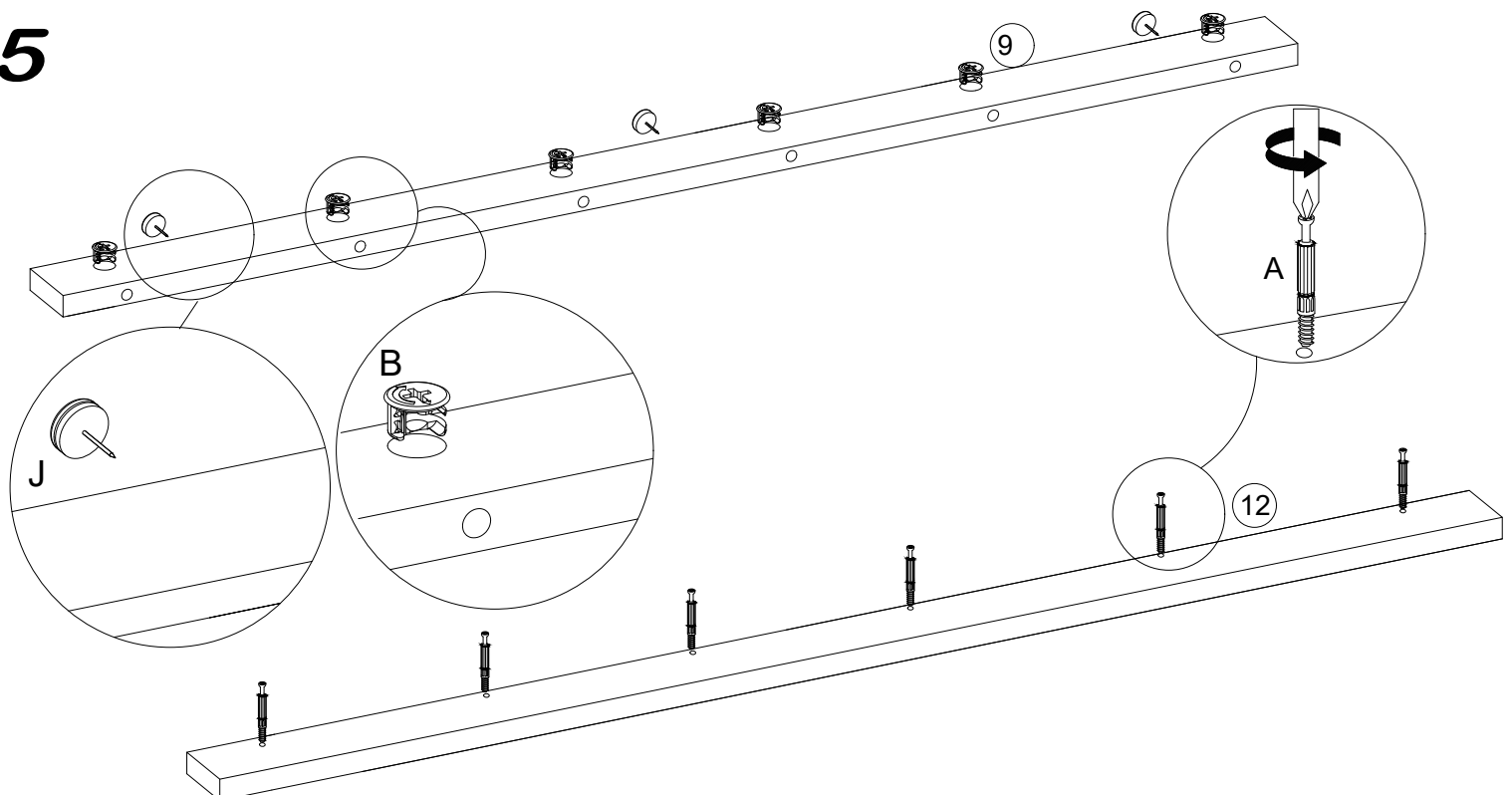
3



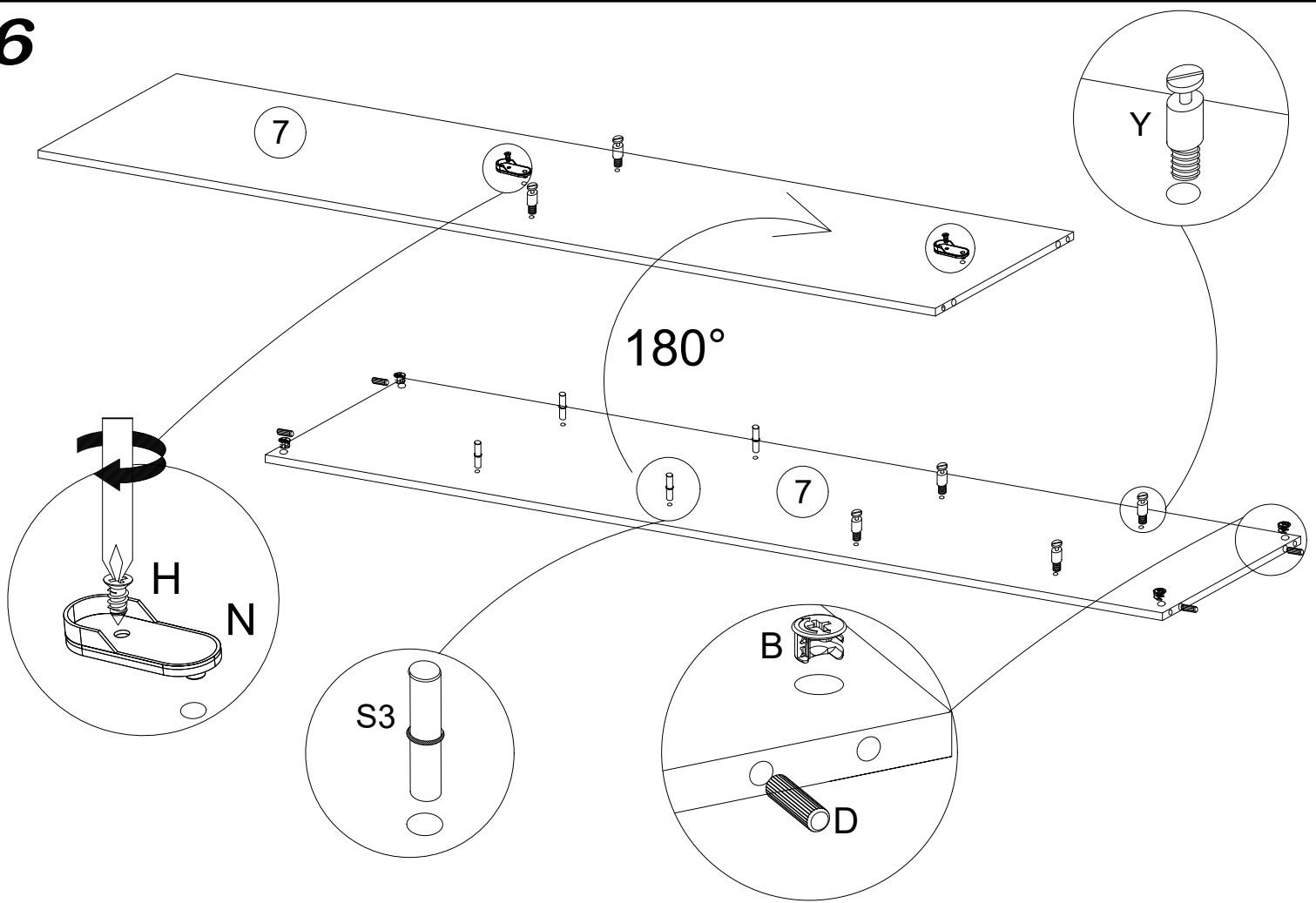
4



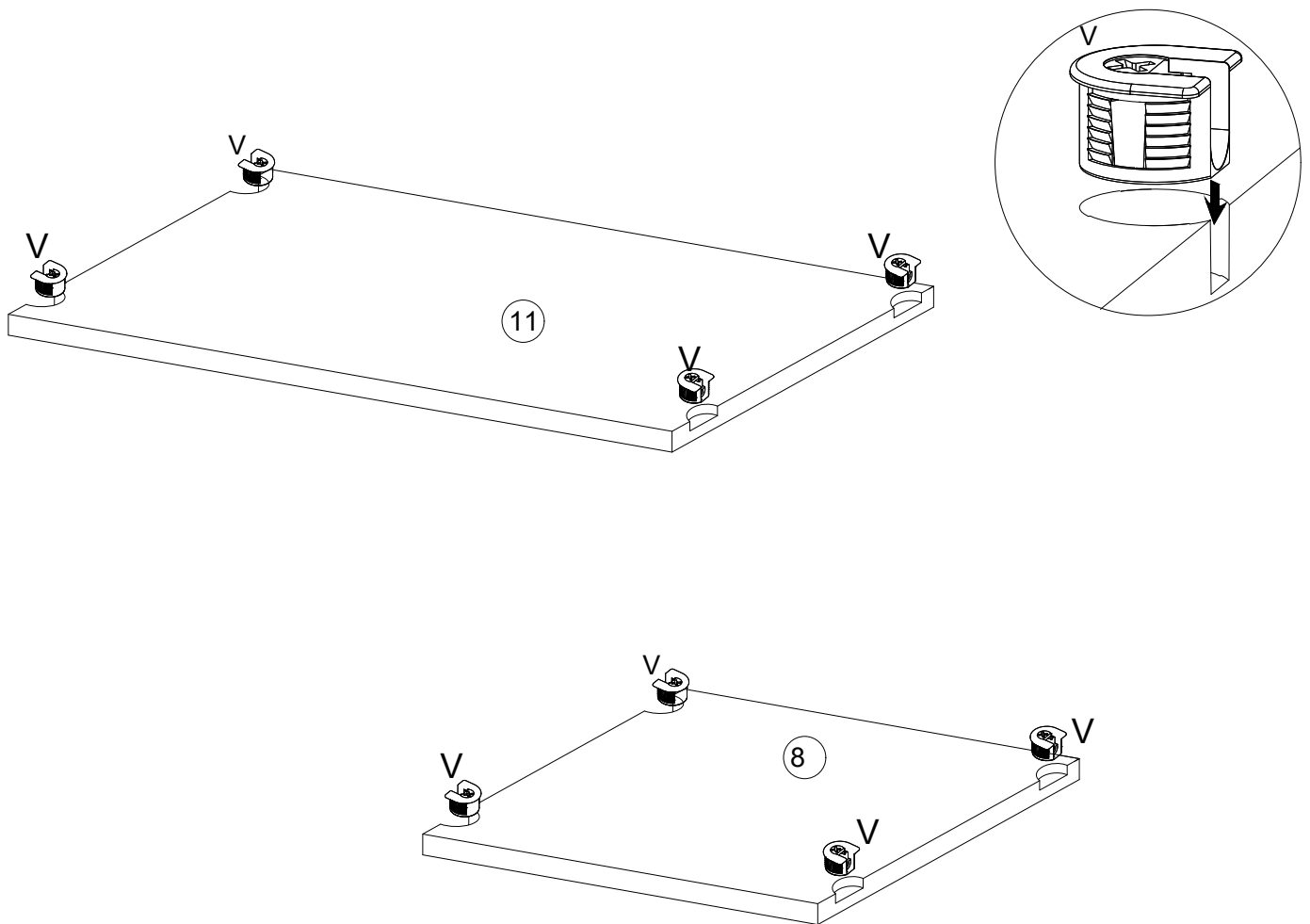
5



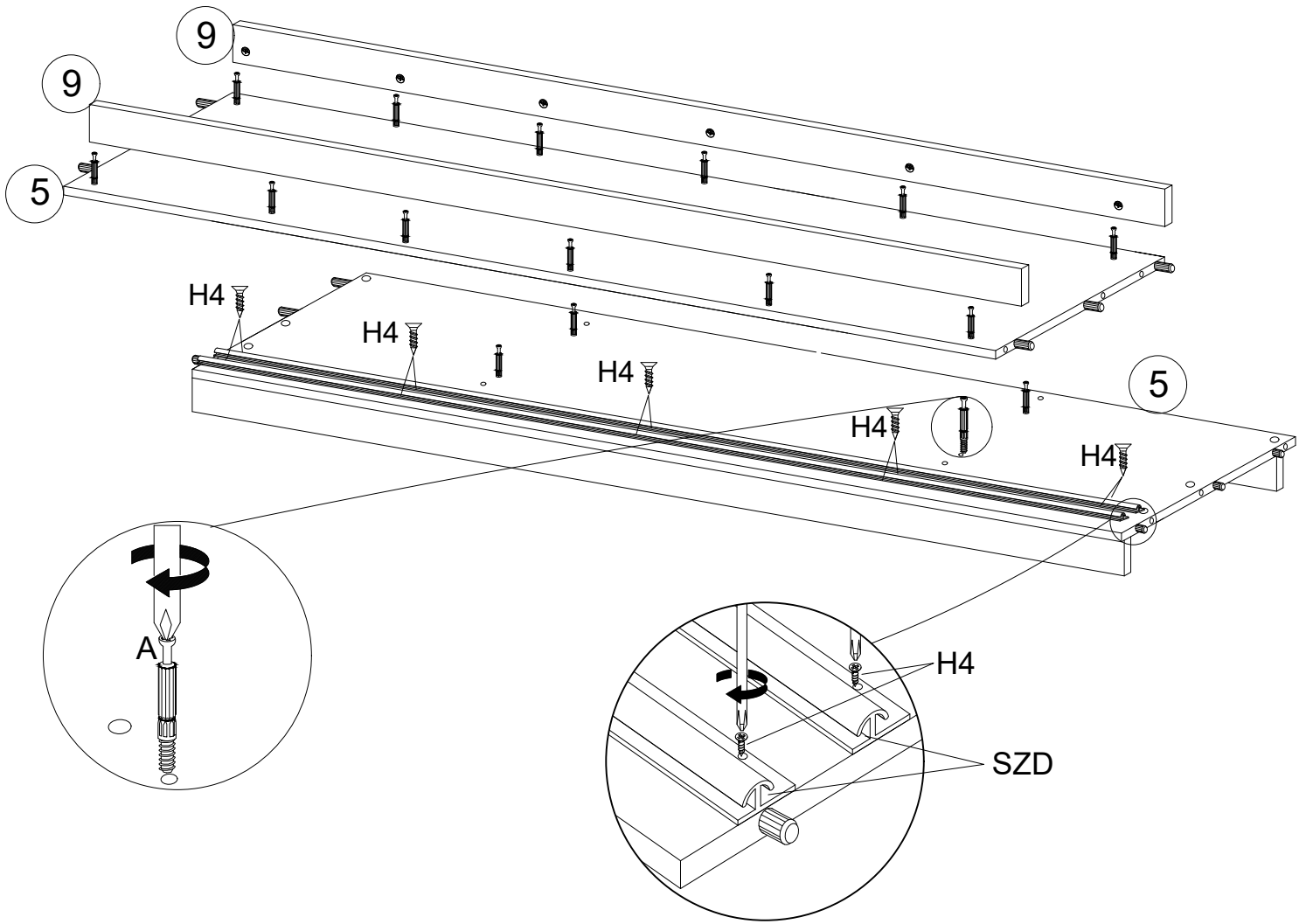
6



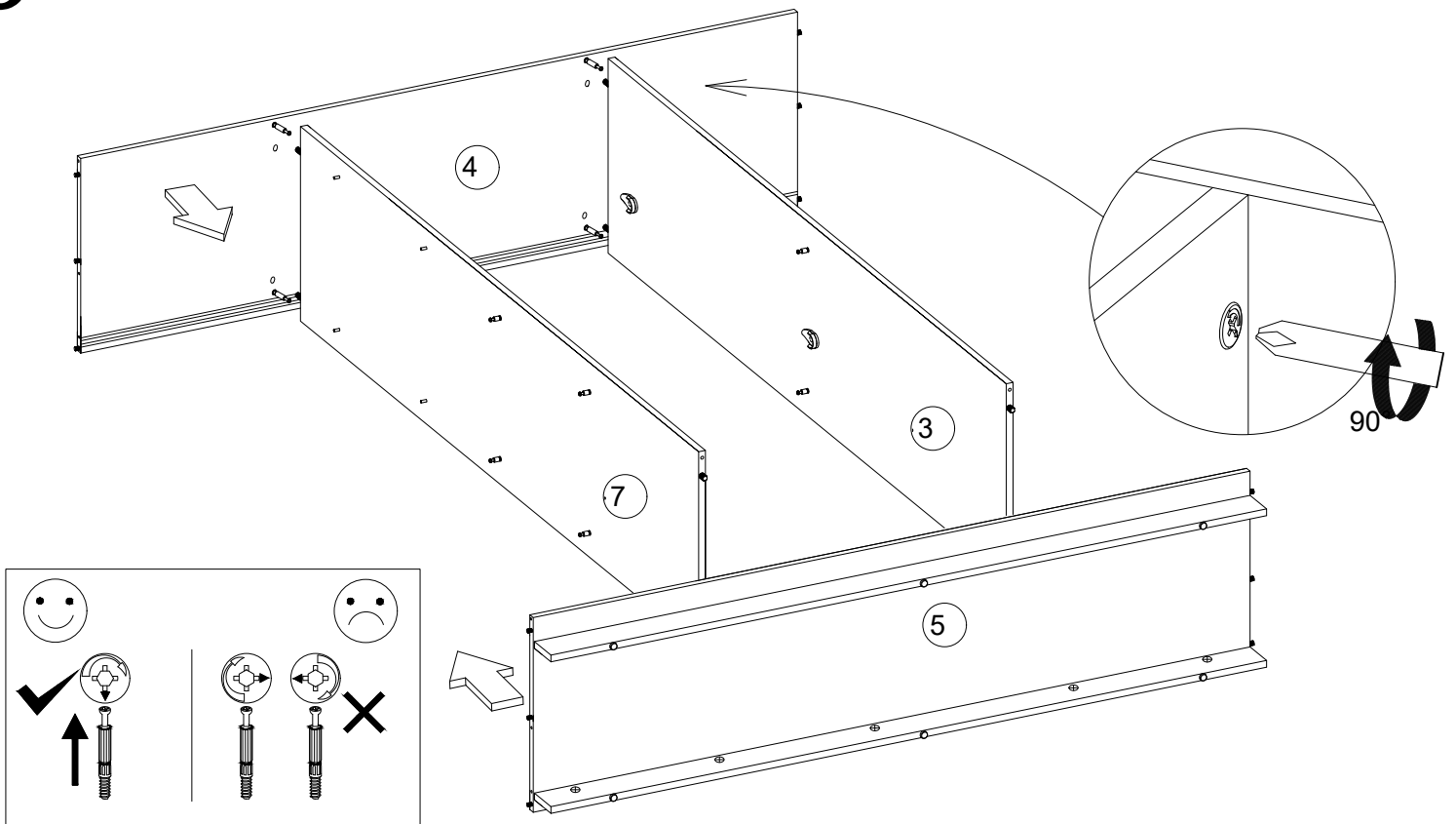
7



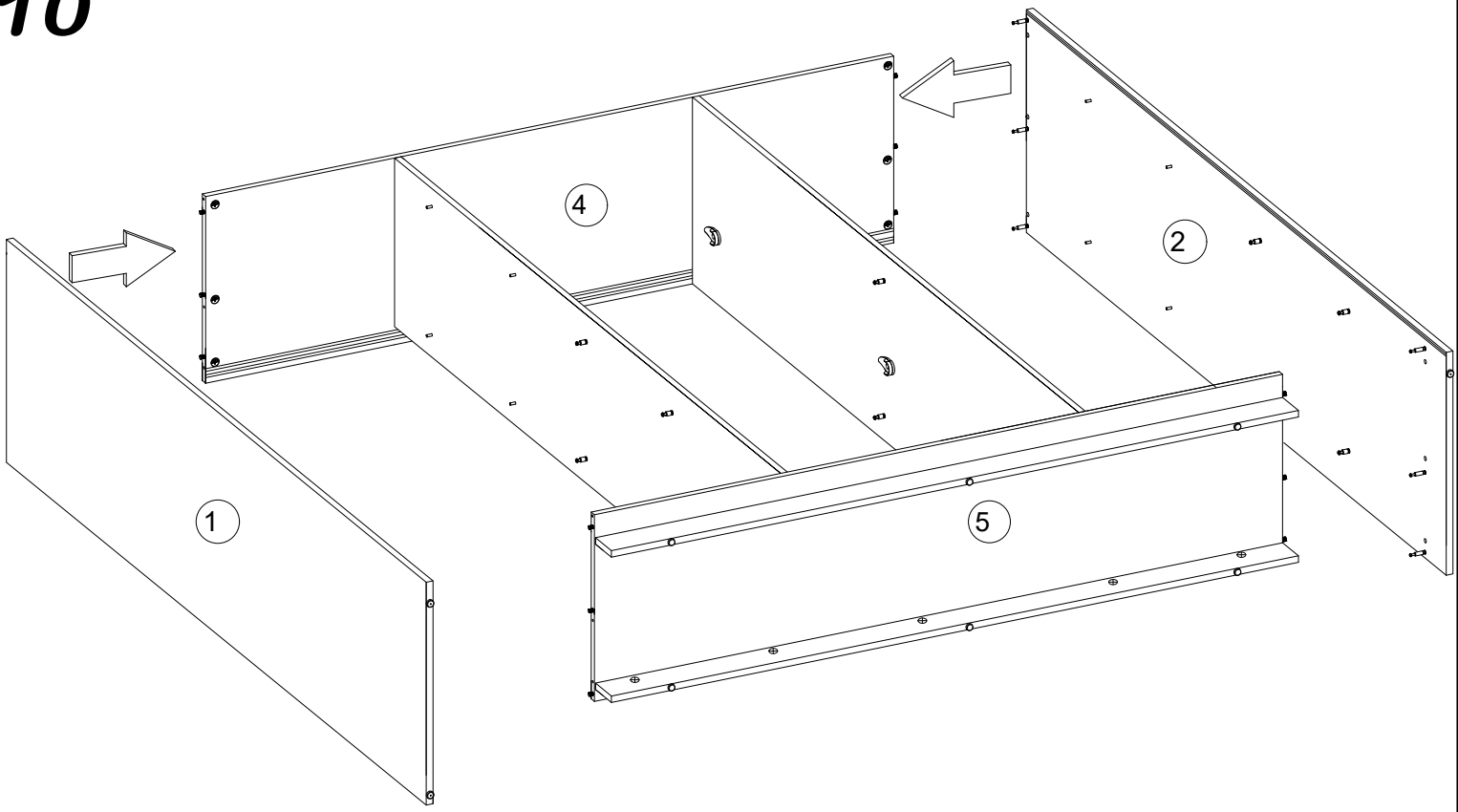
8



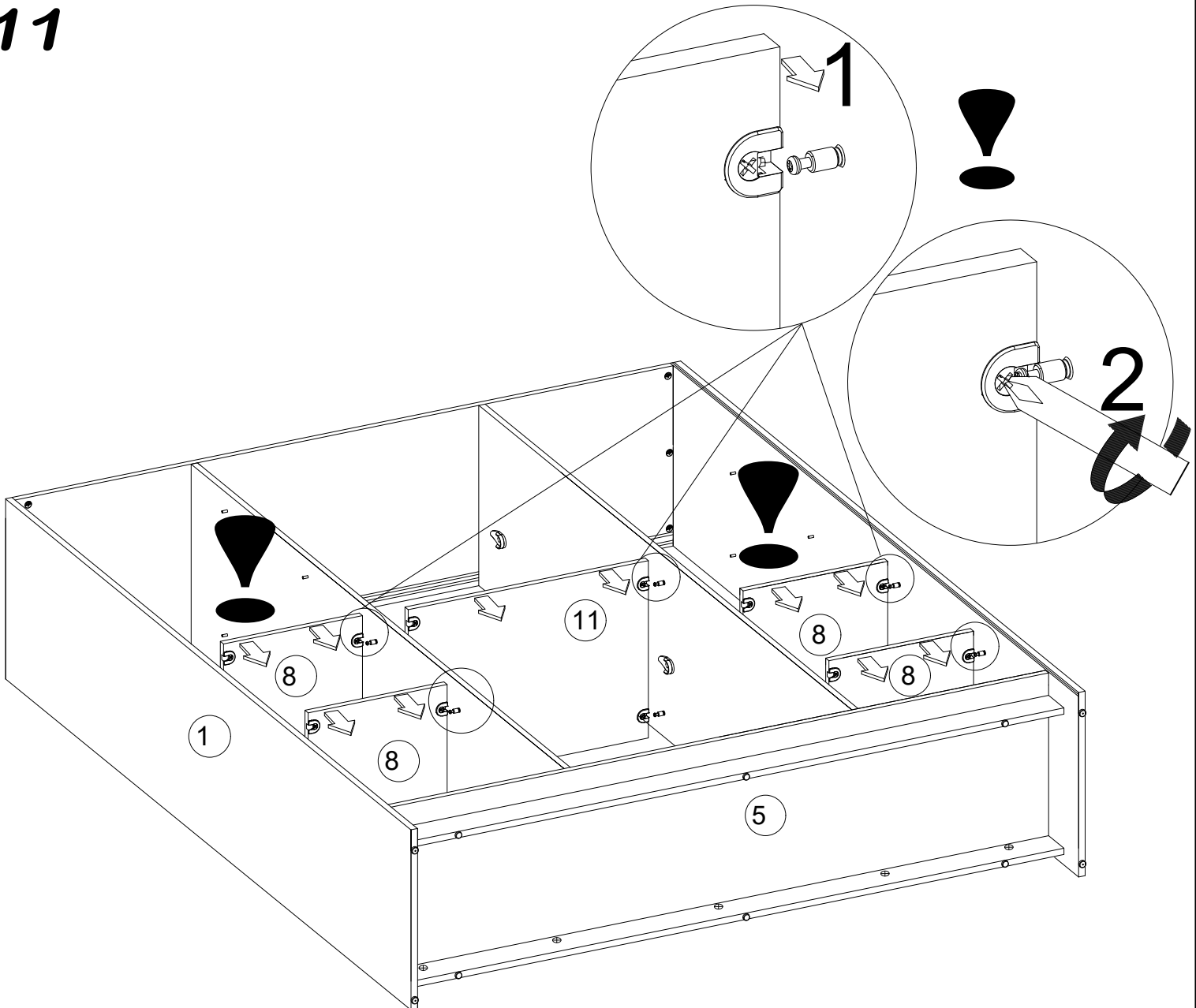
9



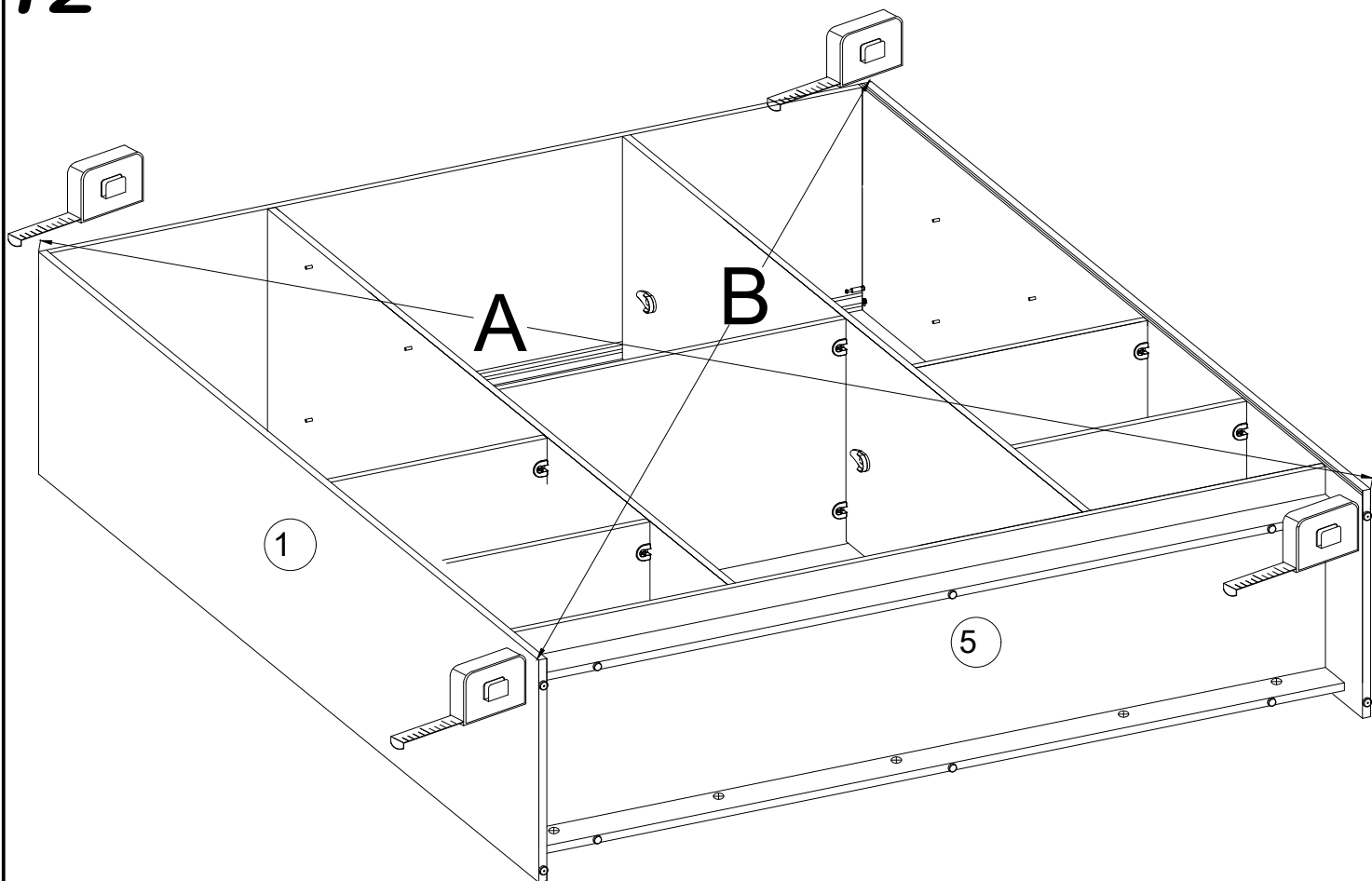
10



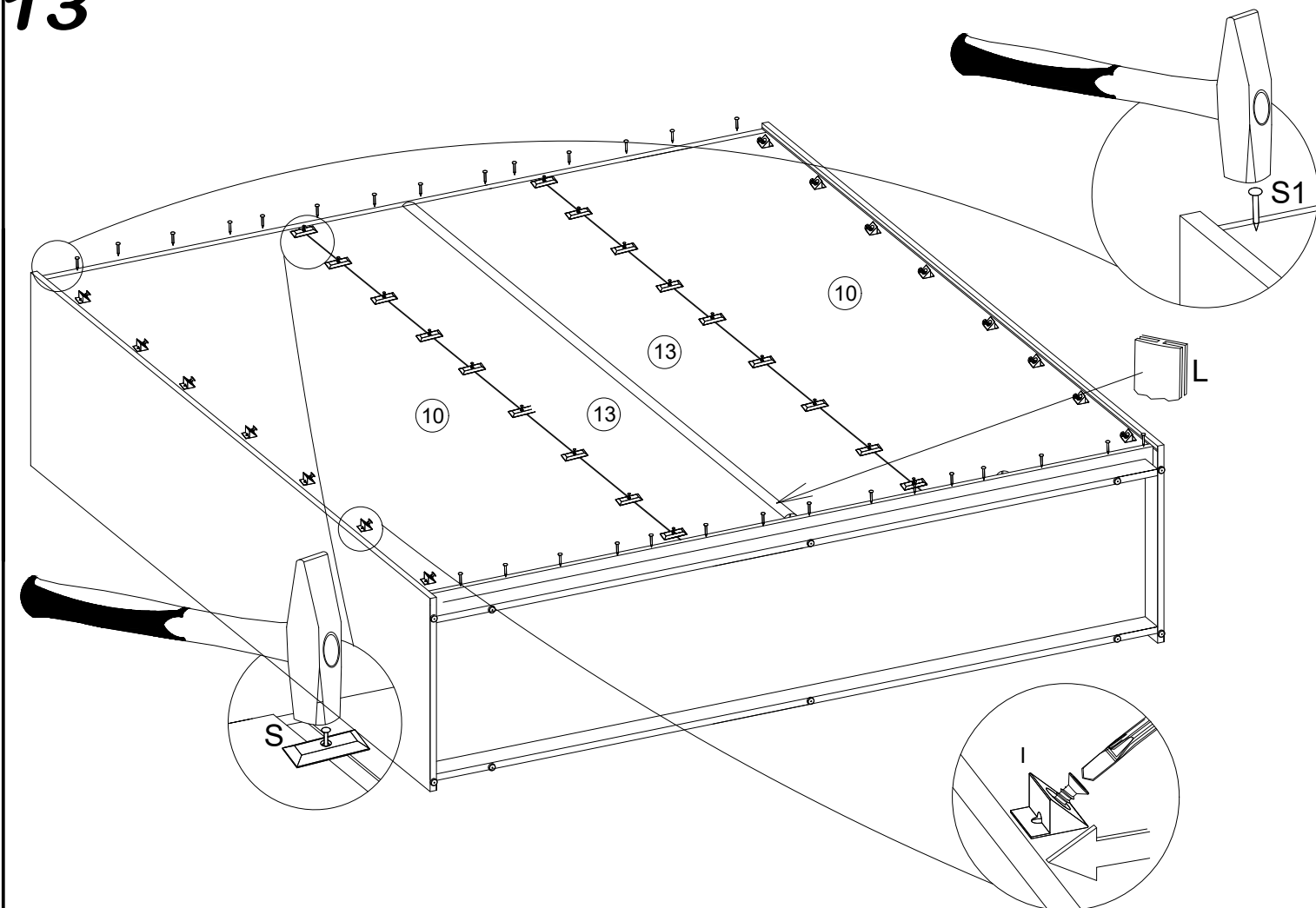
11



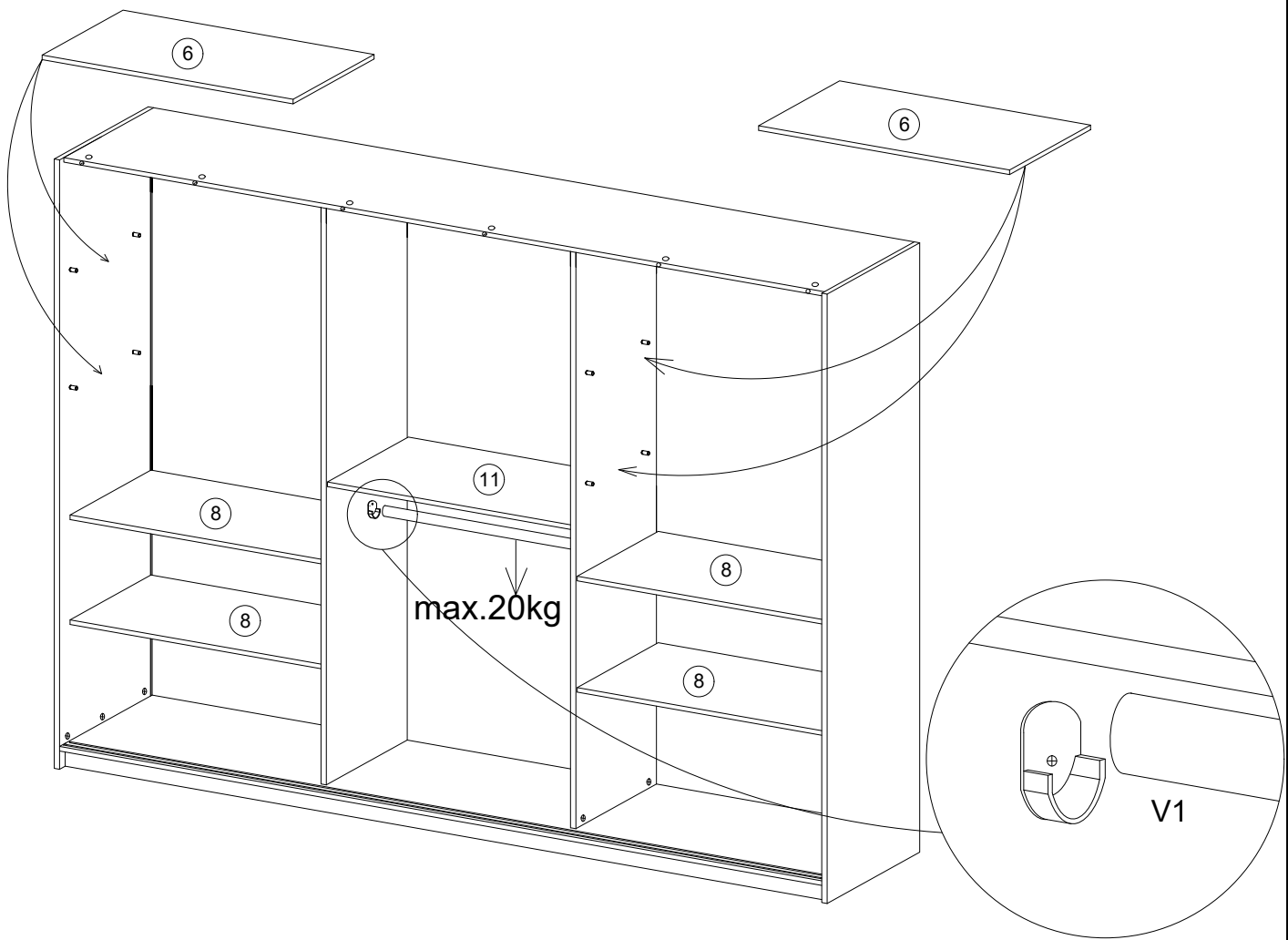
12



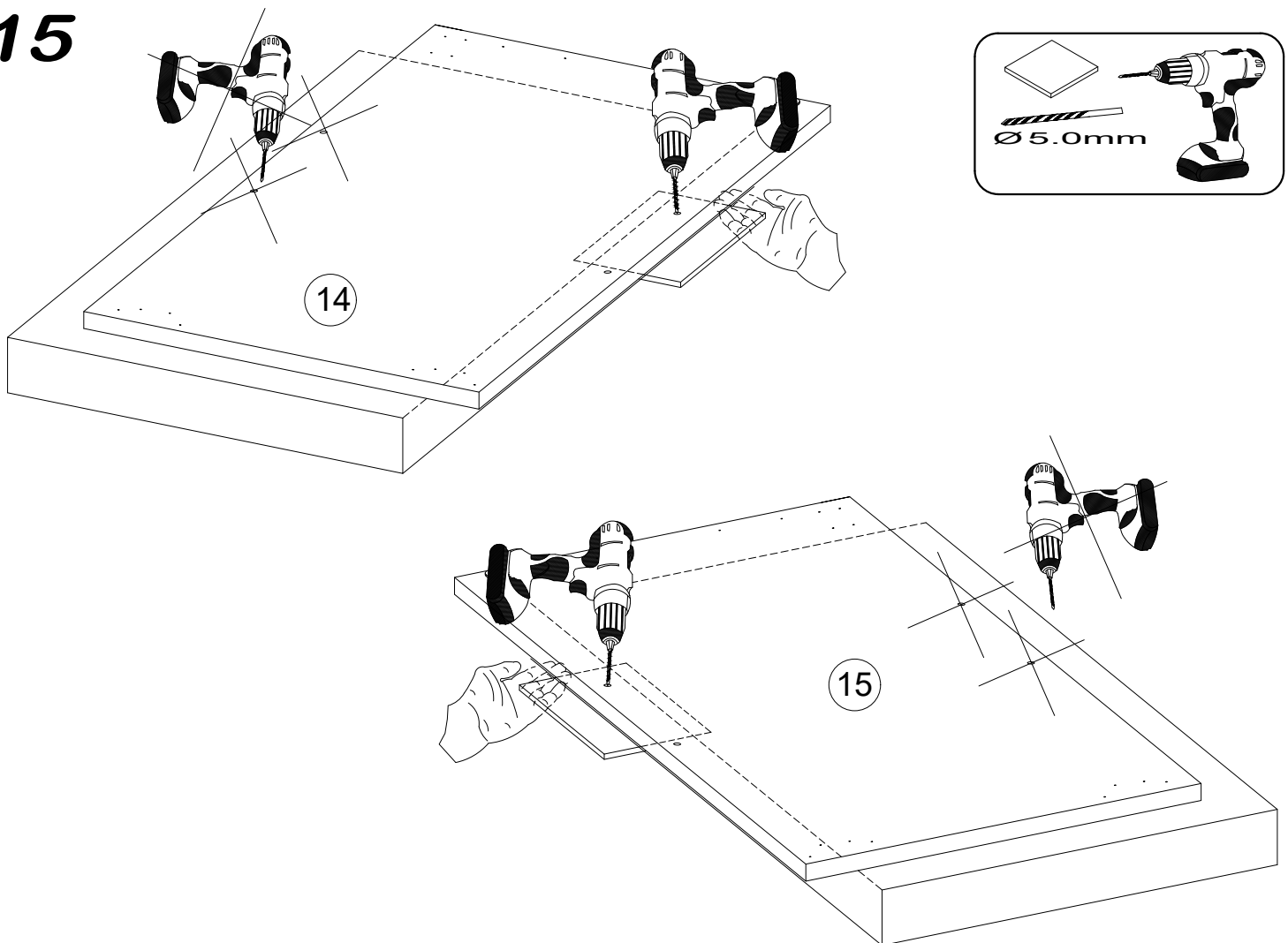
13



14

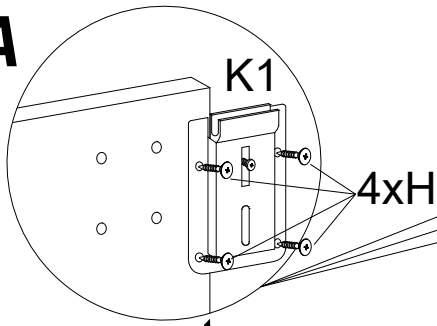


15

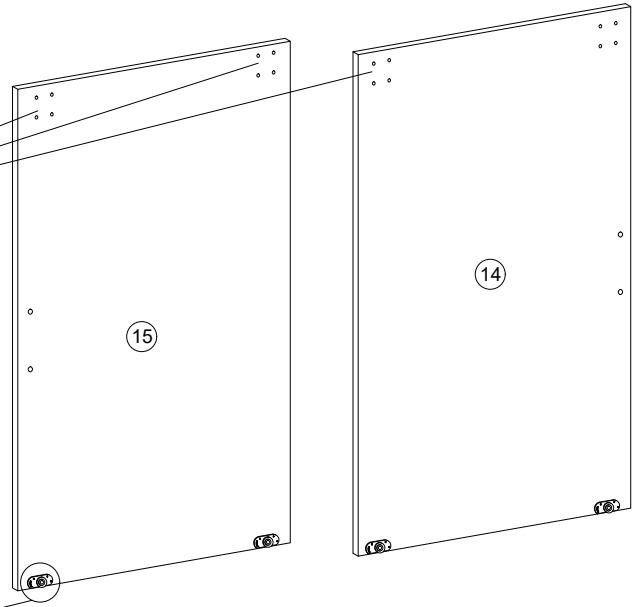
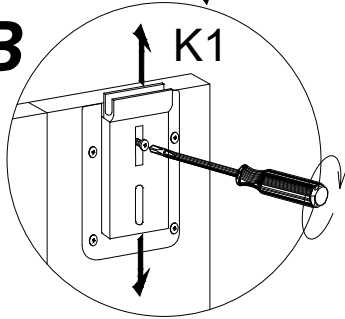


16

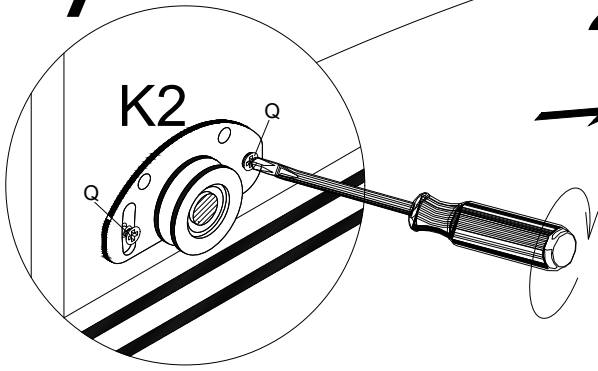
A



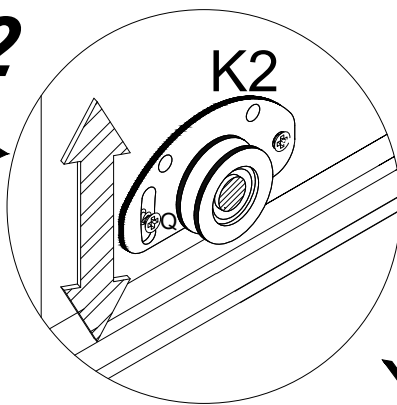
B



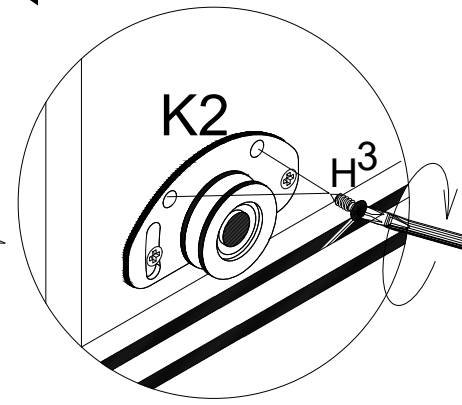
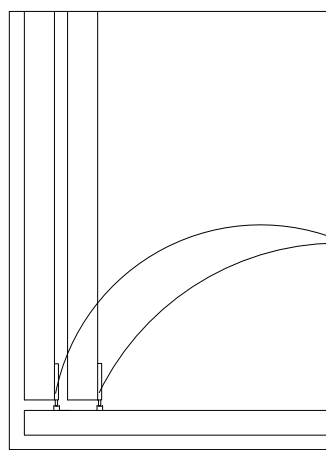
1



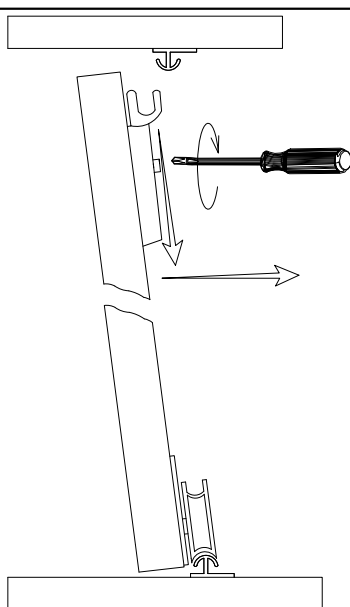
2



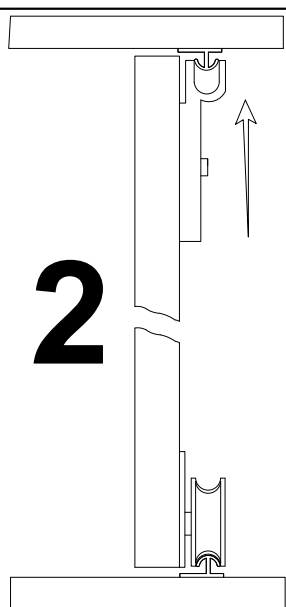
3



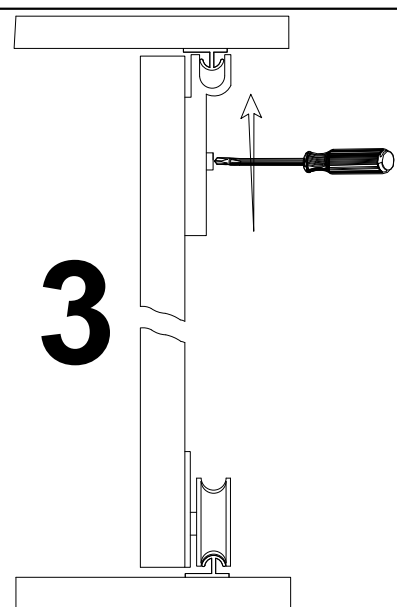
1



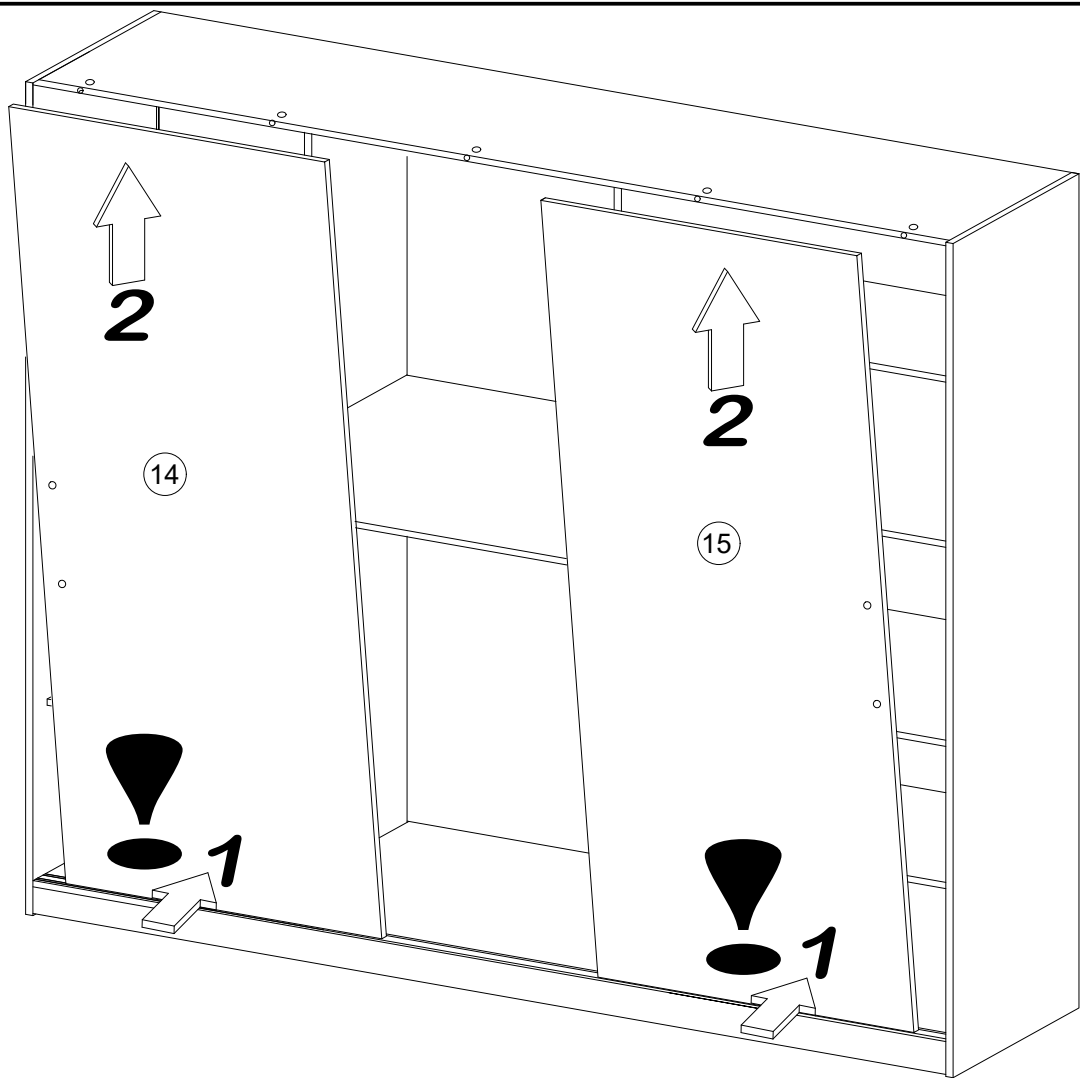
2



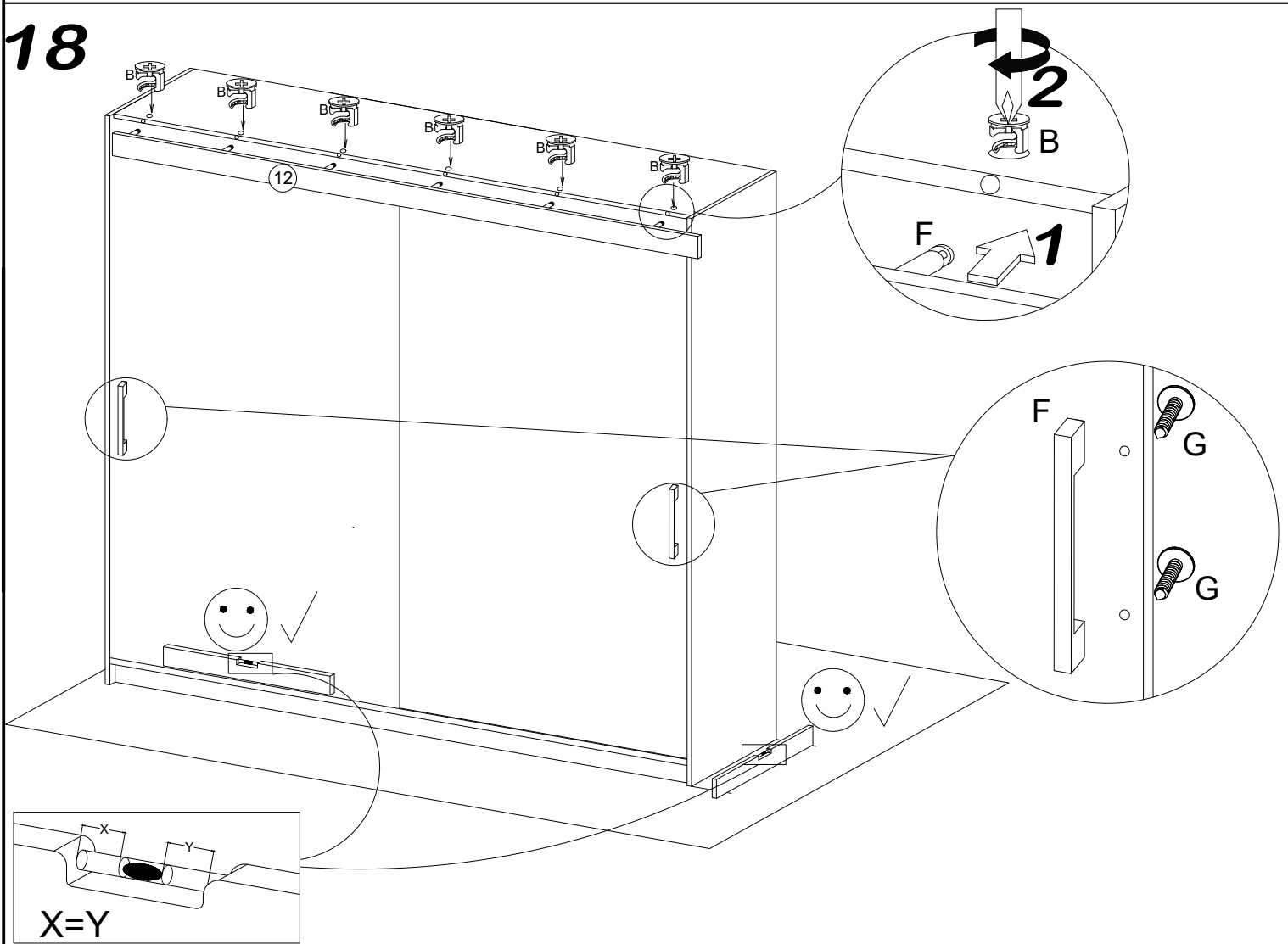
3



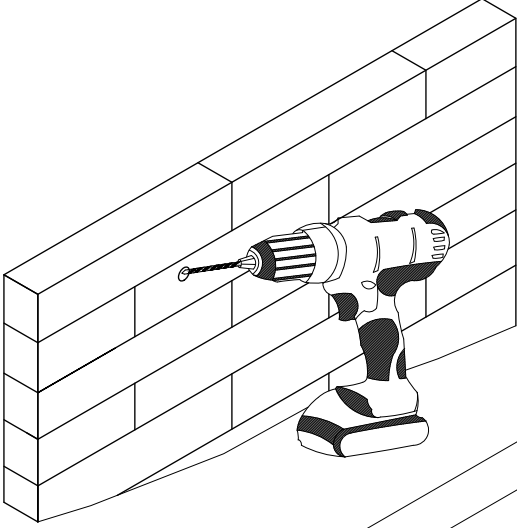
17


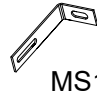


18

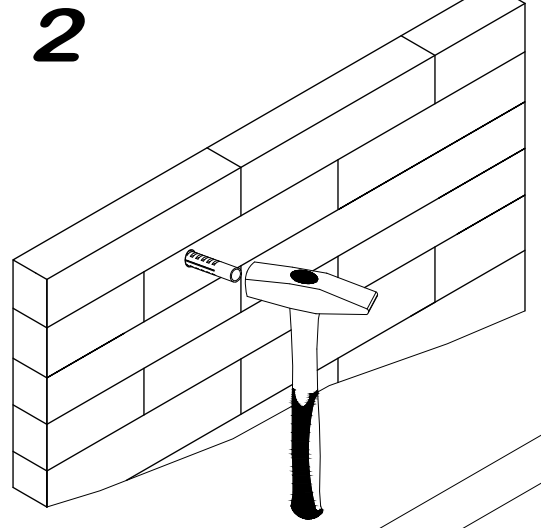


1

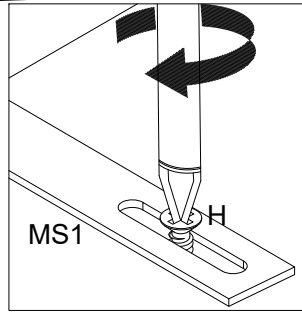
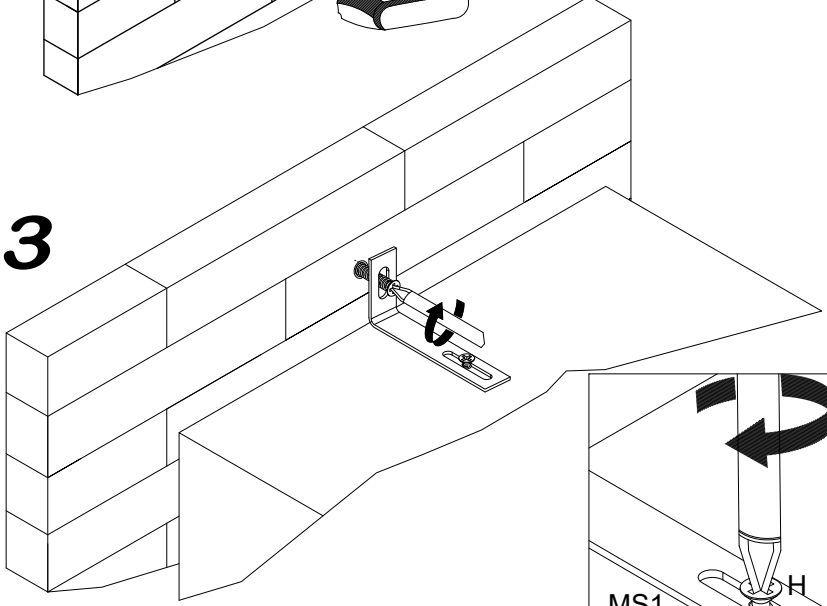


| | |
|--|--|
| 3.5x16 | |
|  |  |
| H | MS1 |
| 1 | 1 |

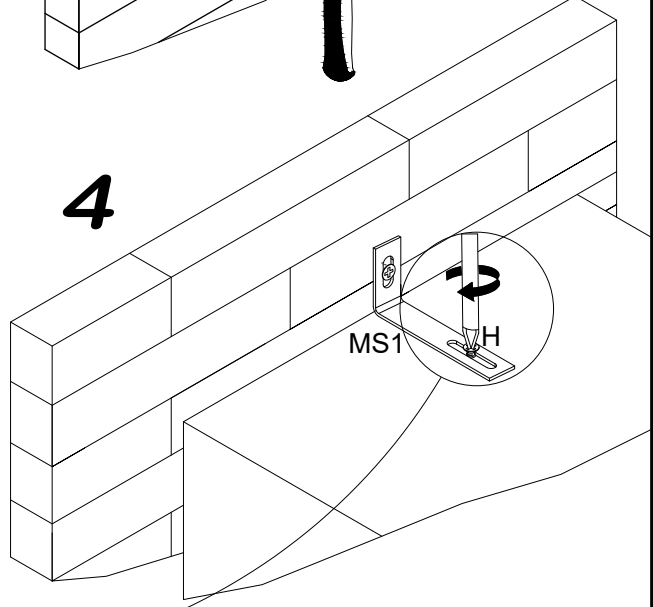
2

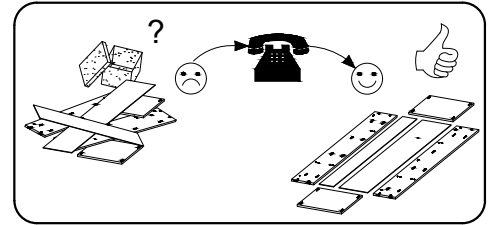
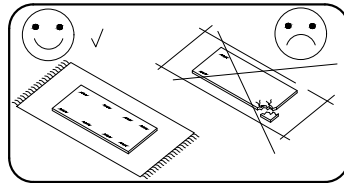
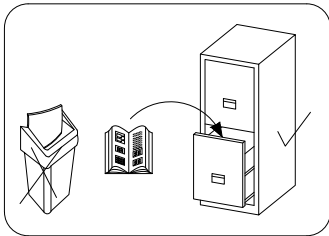
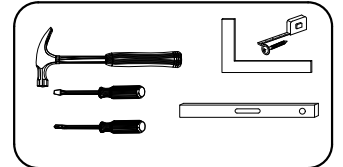
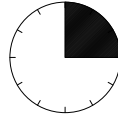
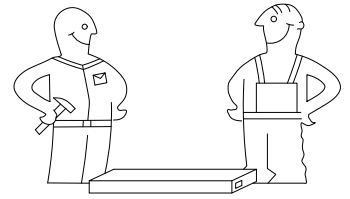


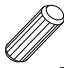










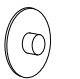



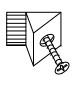
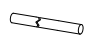





3

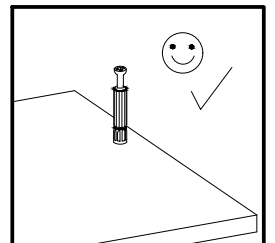
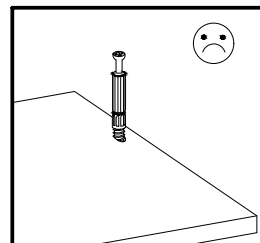
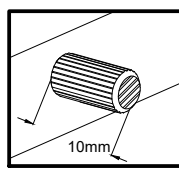
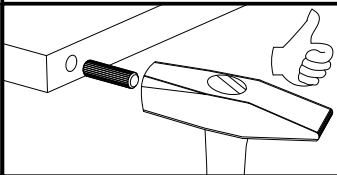
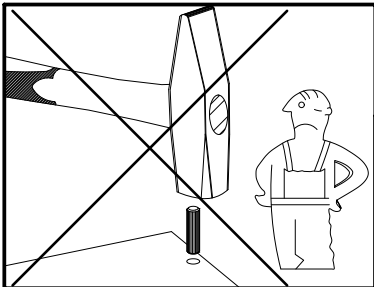


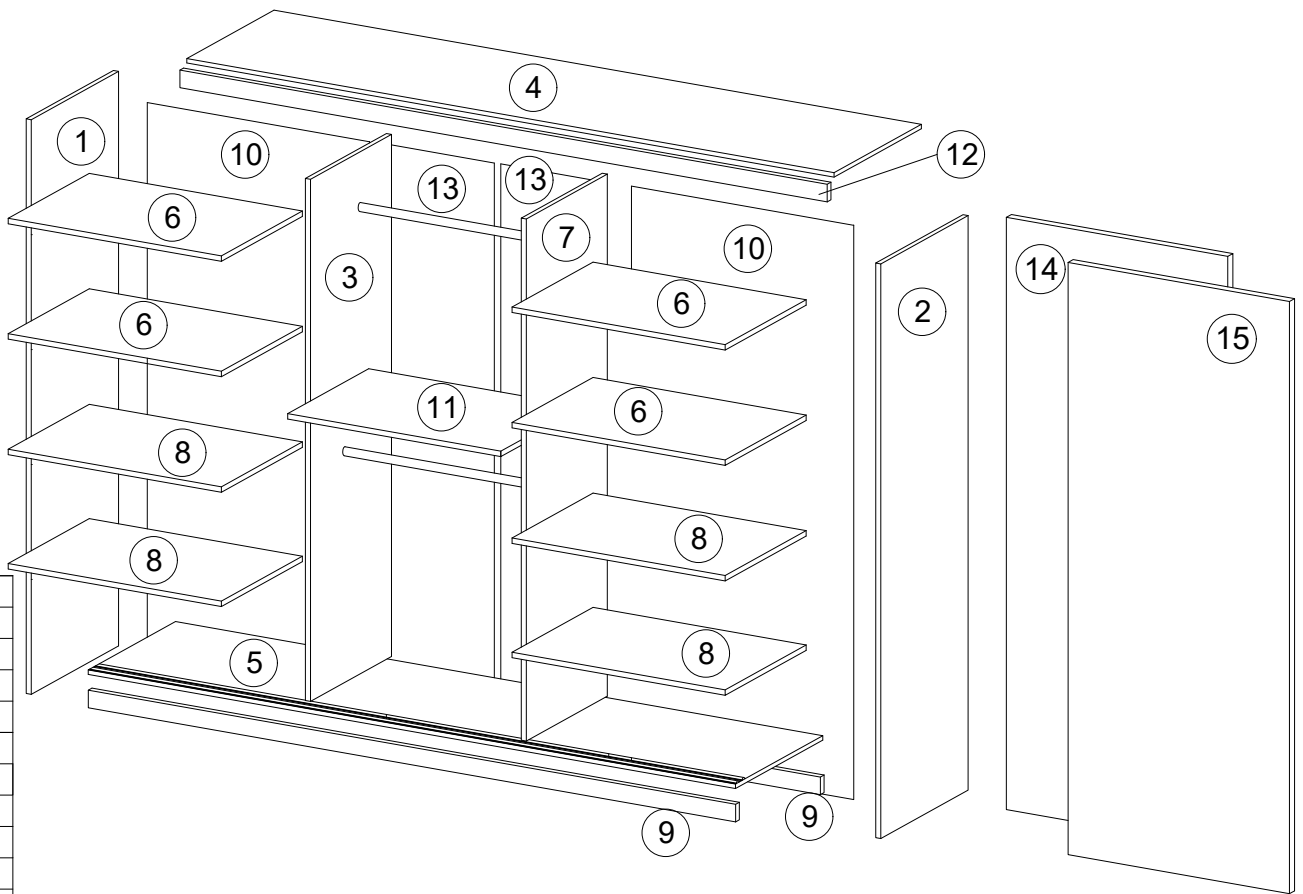
4





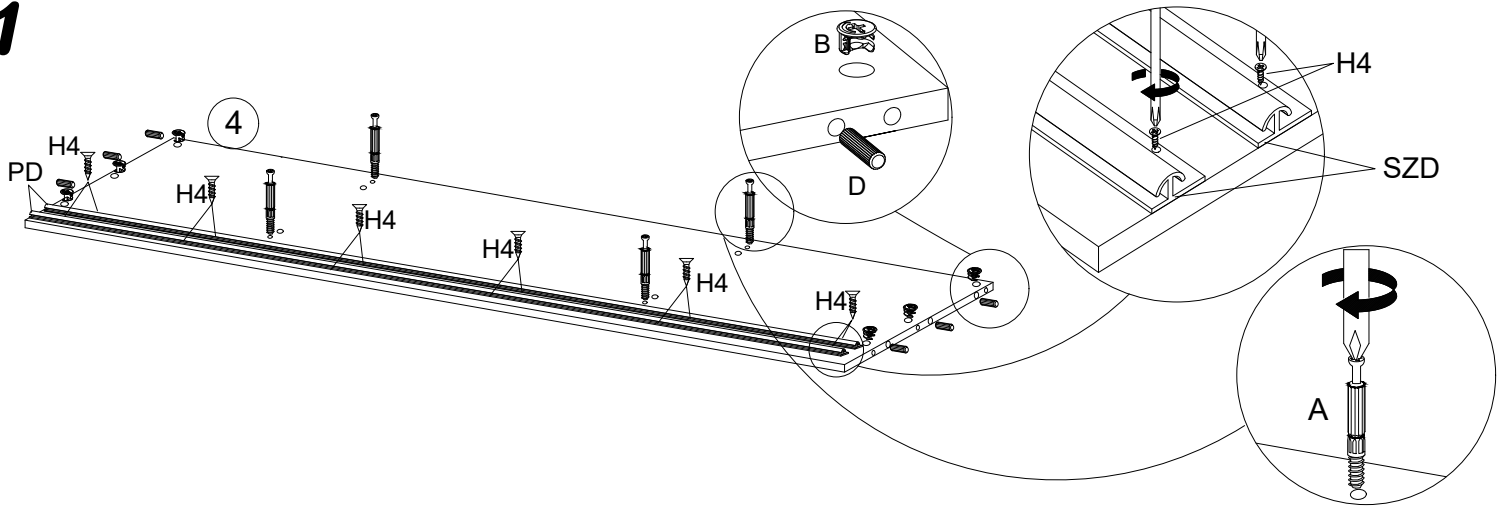
| | | | | | | | | | | |
|--|--|--|---|--|--|--|--|---|---|---|
| 8.0x35  D | 4.0x25  G |  Y |  A |  B | 3.5x16  H |  V |  N |  K2 |  K1 |  S3 |
| 20 | 4 | 20 | 38 | 38 | 28 | 20 | 4 | 4 | 4 | 16 |
|  X |  F |  S |  S1 |  I | L-975  V1 | L-1850  L | 6.3x13  Q |  J |  PD |  H4 |
| 30 | 2 | 38 | 80 | 30 | 2 | 1 | 8 | 10 | 4 | 24 |



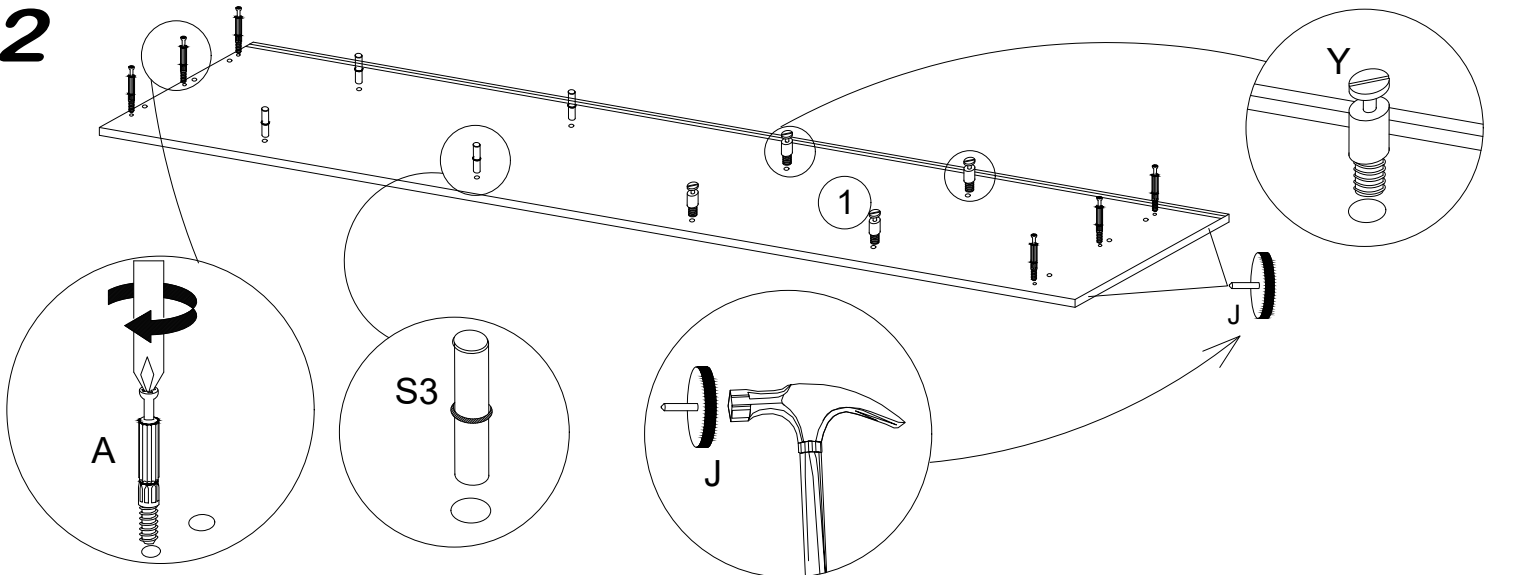


| No. | Pcs. | L | W | D |
|-----|------|------|------|----|
| 1. | 1 | 2000 | 620 | 16 |
| 2. | 1 | 2000 | 620 | 16 |
| 3. | 1 | 1888 | 480 | 16 |
| 4. | 1 | 1968 | 582 | 16 |
| 5. | 1 | 1968 | 600 | 16 |
| 6. | 4 | 475 | 480 | 16 |
| 7. | 1 | 1888 | 480 | 16 |
| 8. | 4 | 475 | 480 | 16 |
| 9. | 2 | 1968 | 80 | 16 |
| 10. | 2 | 1918 | 492 | 3 |
| 11. | 1 | 985 | 480 | 16 |
| 12. | 1 | 1968 | 70 | 16 |
| 13. | 2 | 1918 | 498 | 3 |
| 14. | 1 | 1873 | 1000 | 16 |
| 15. | 1 | 1873 | 1000 | 16 |

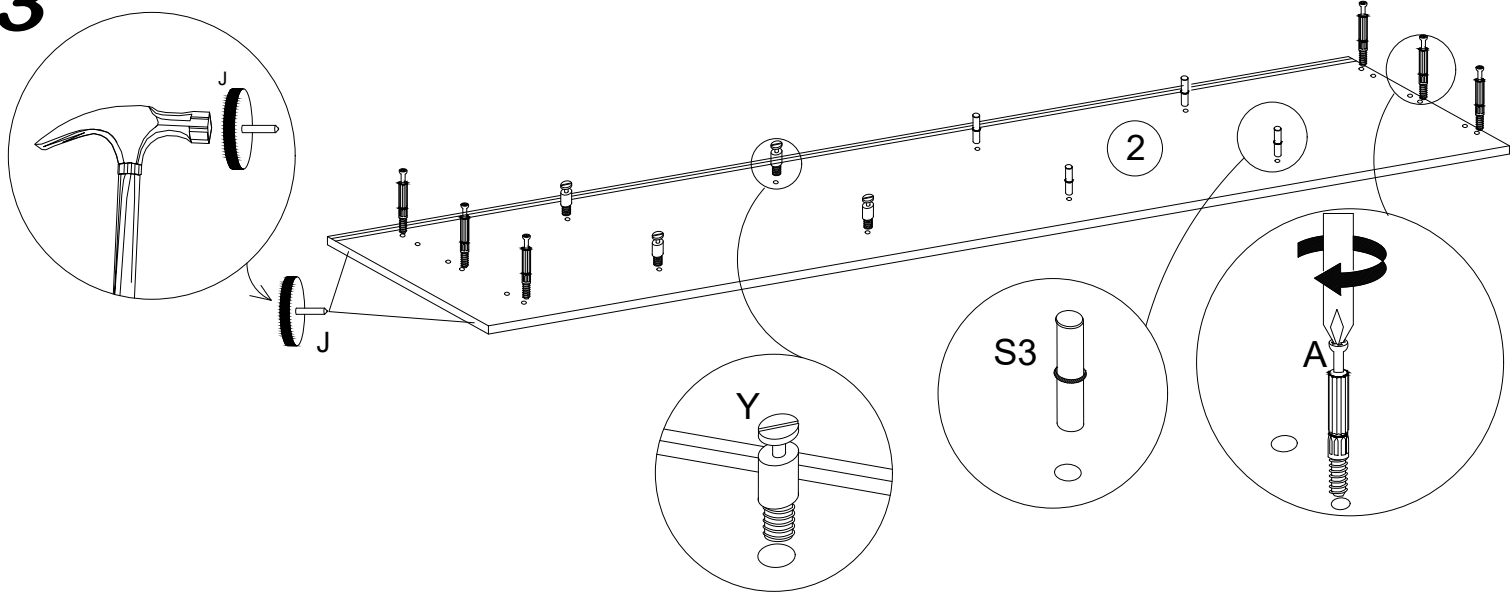
1



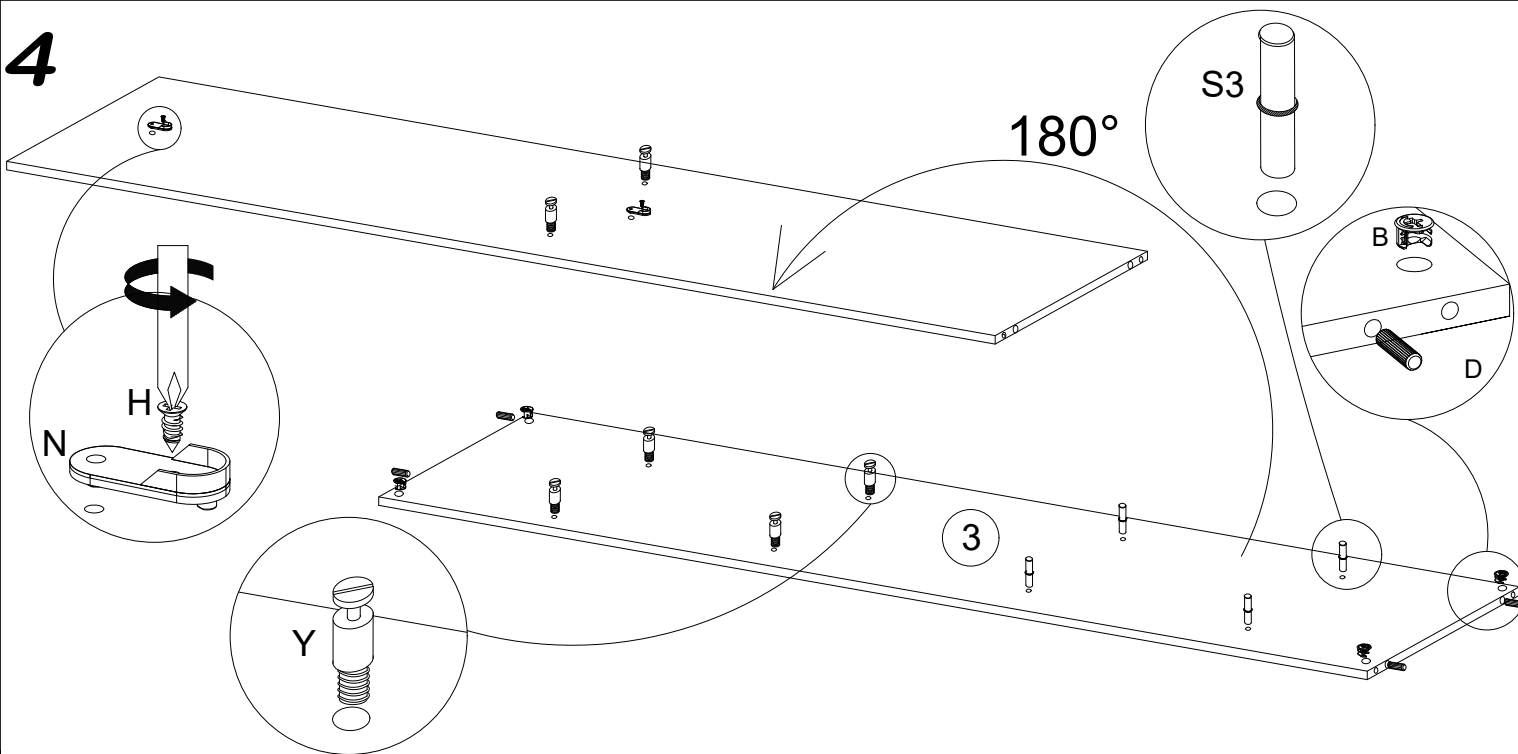
2



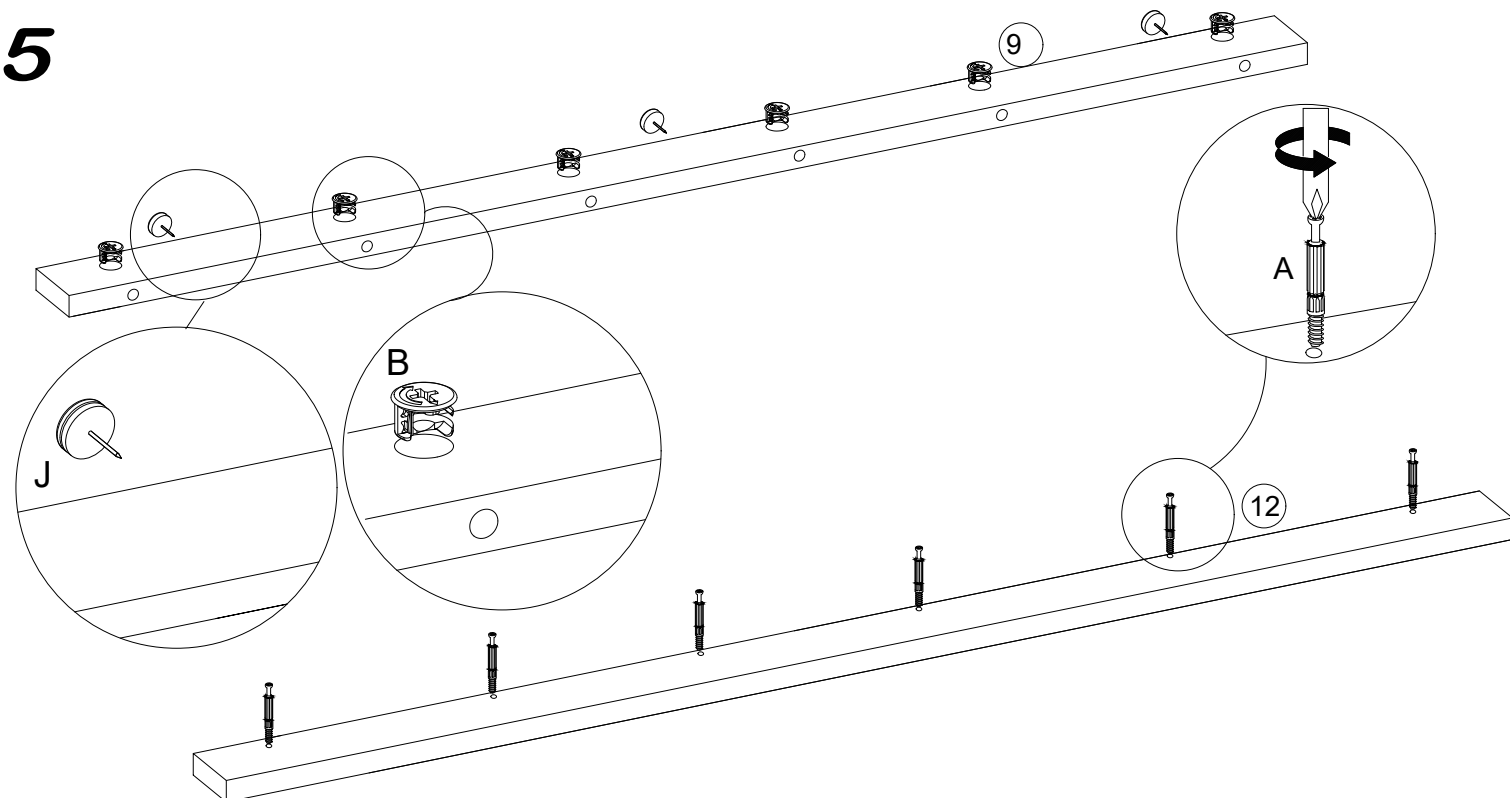
3



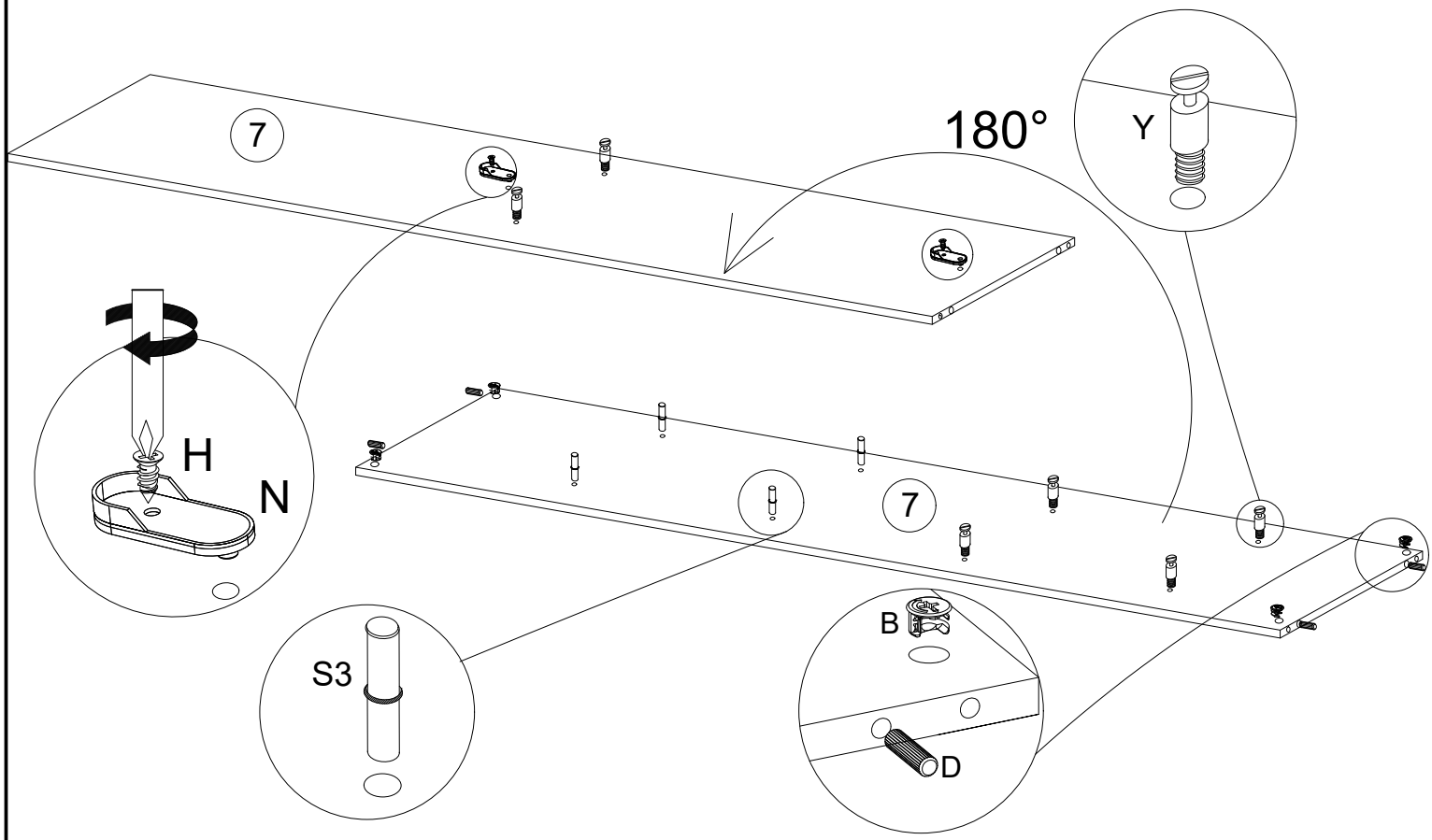
4



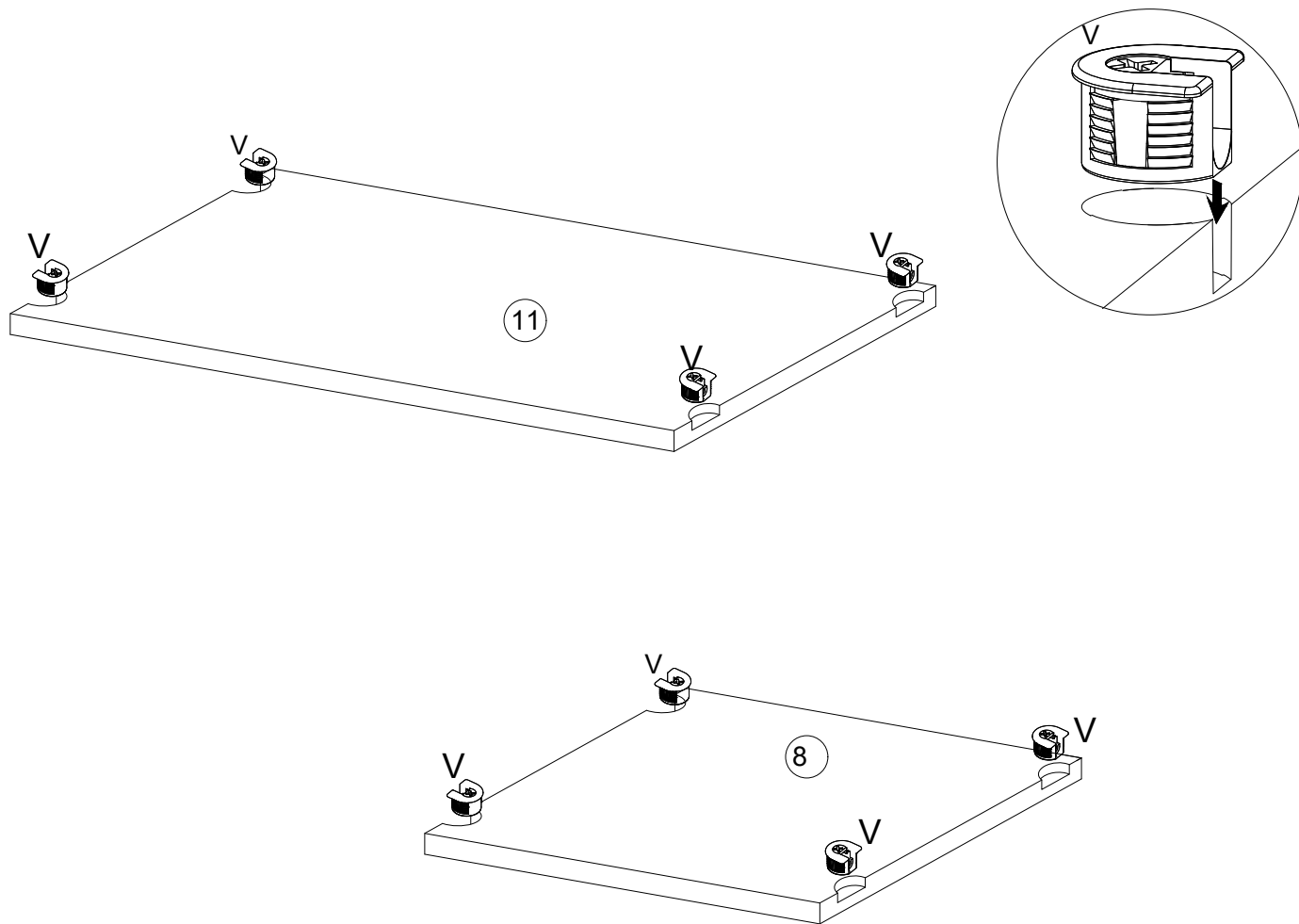
5



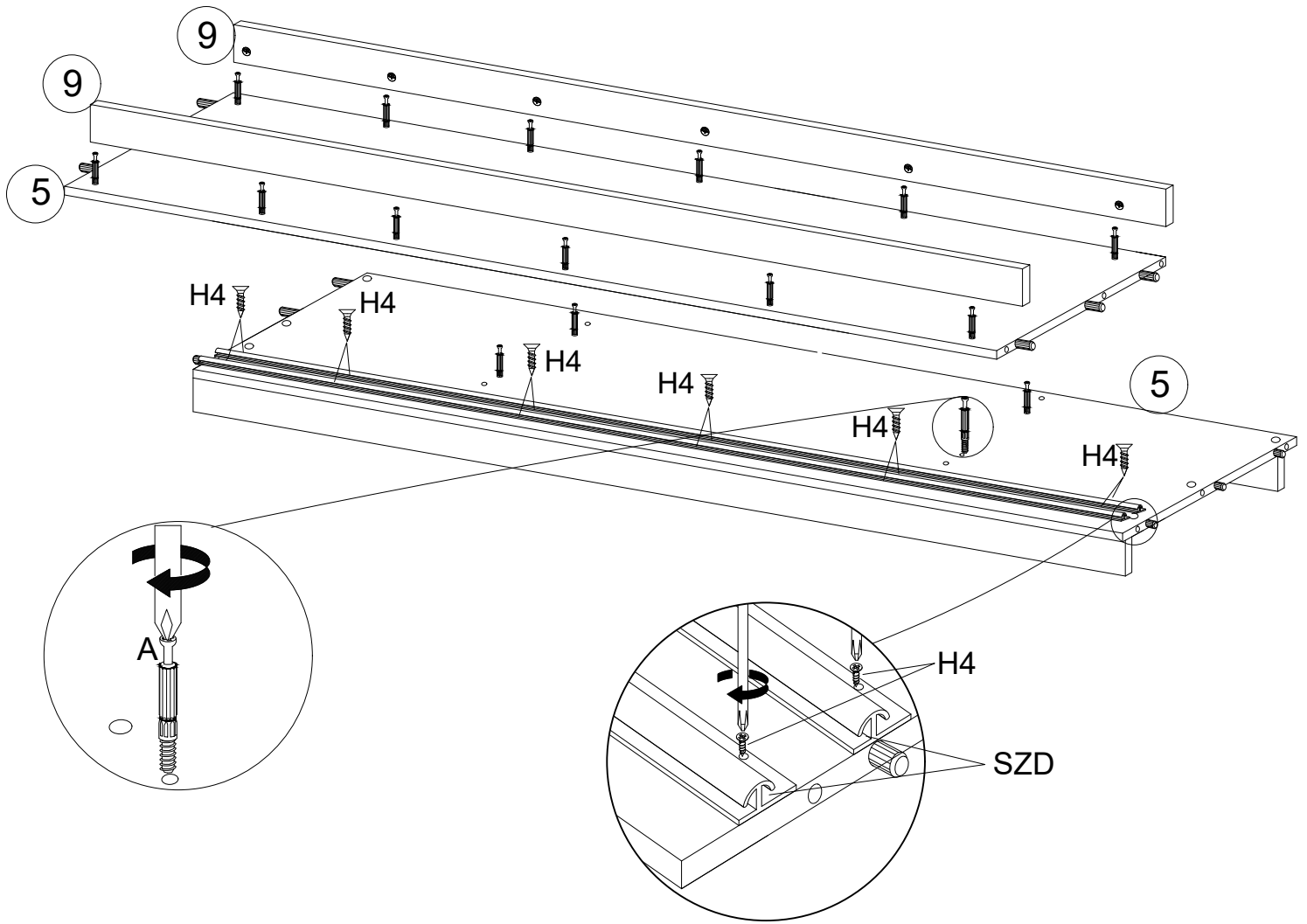
6



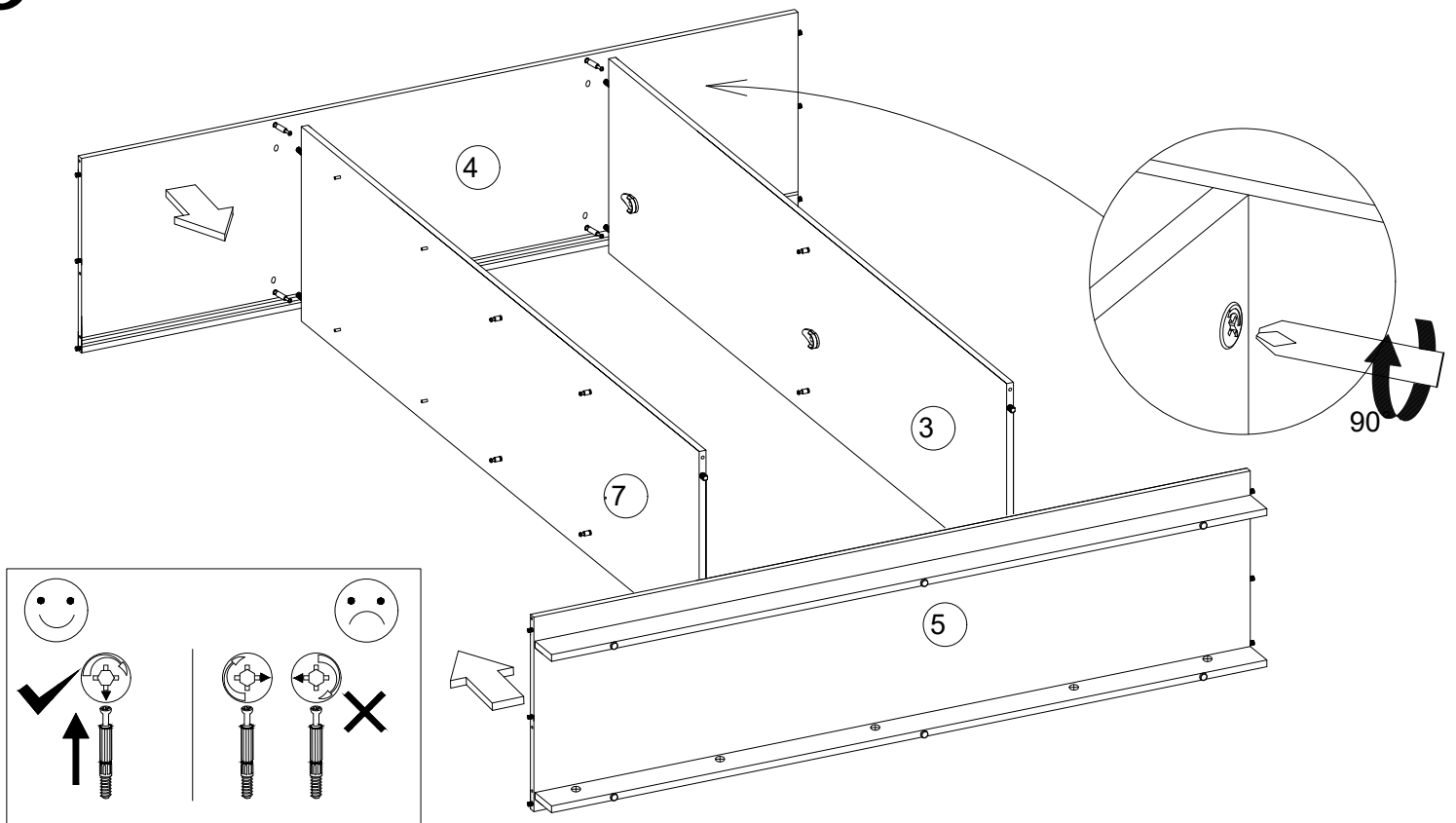
7



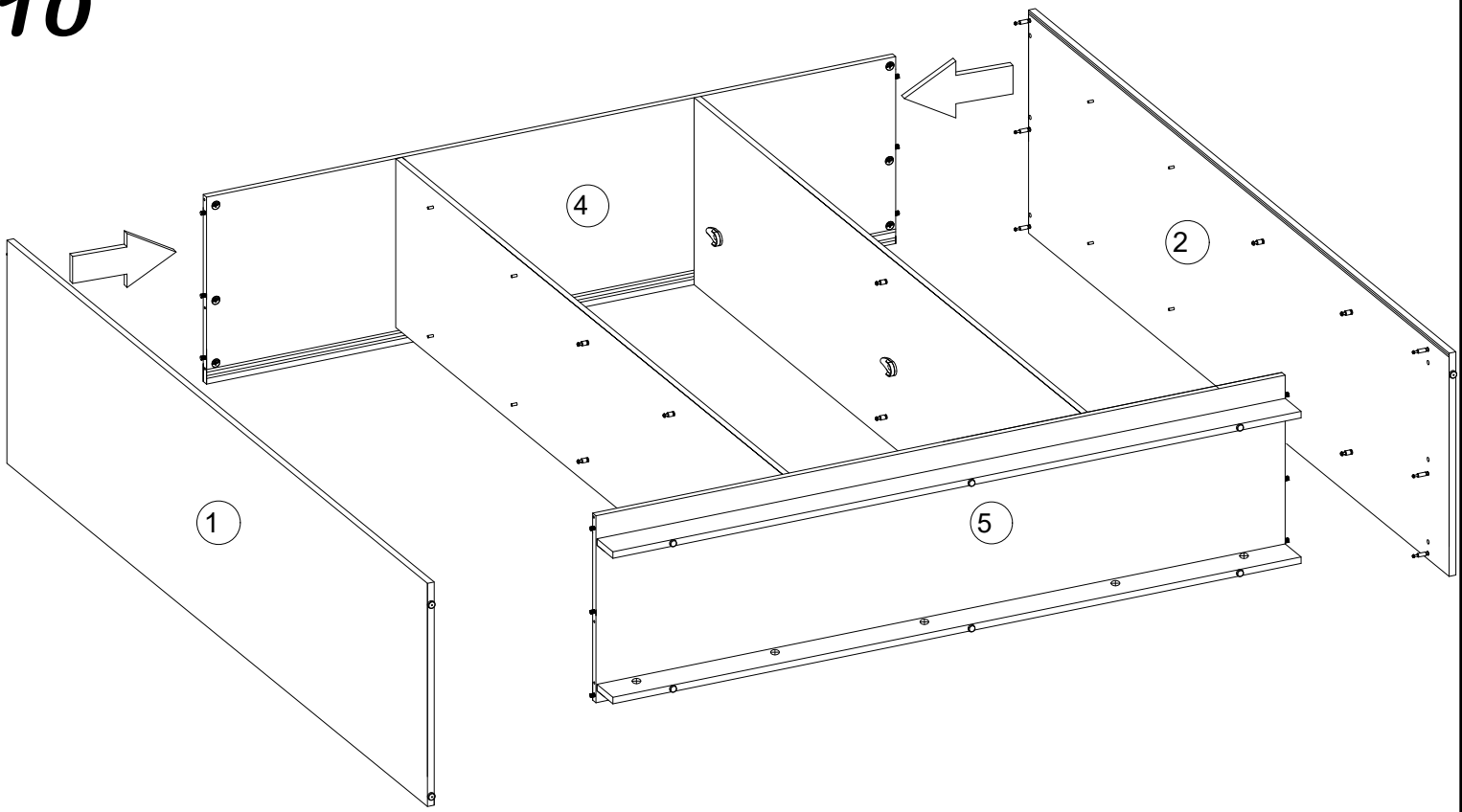
8



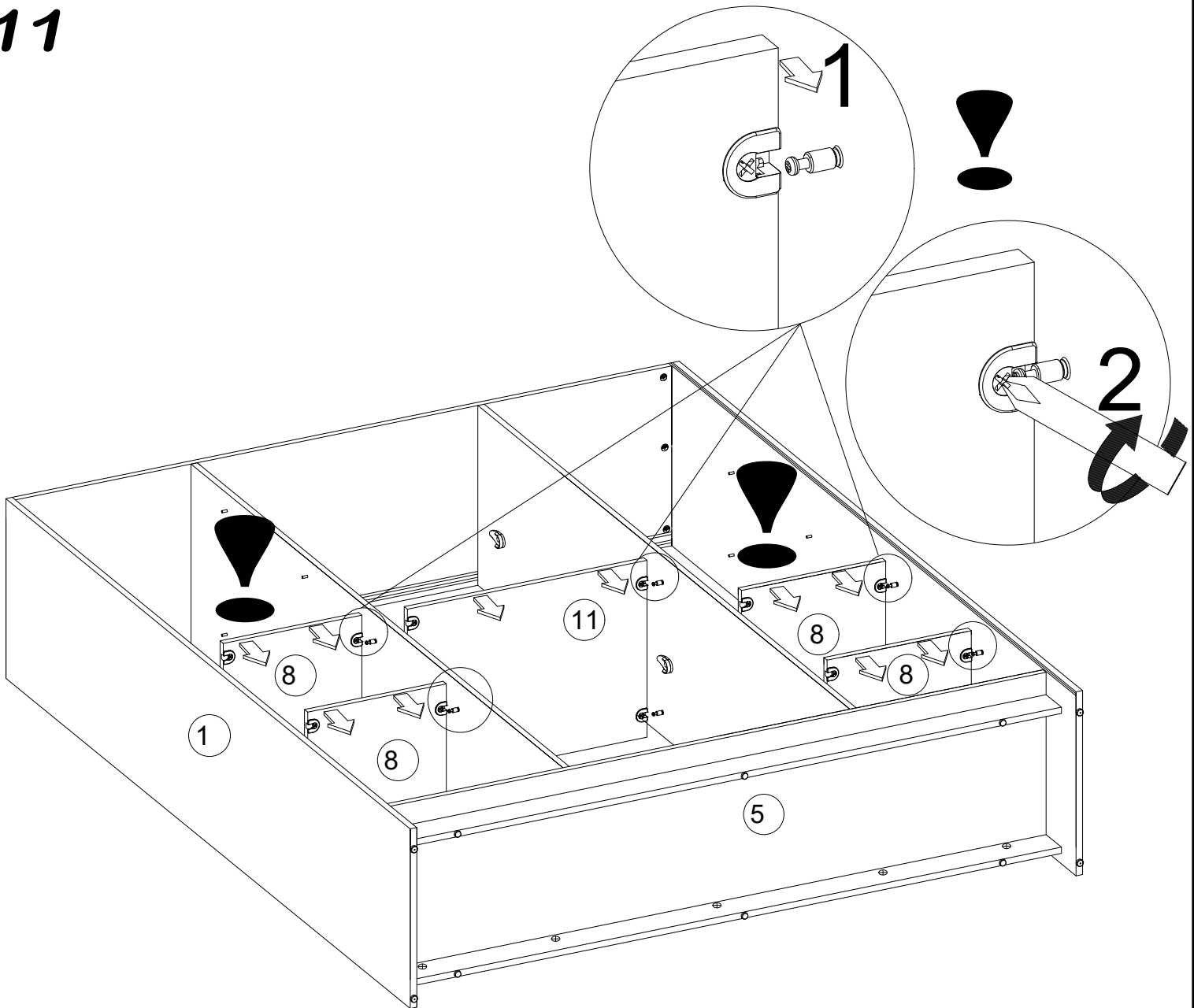
9



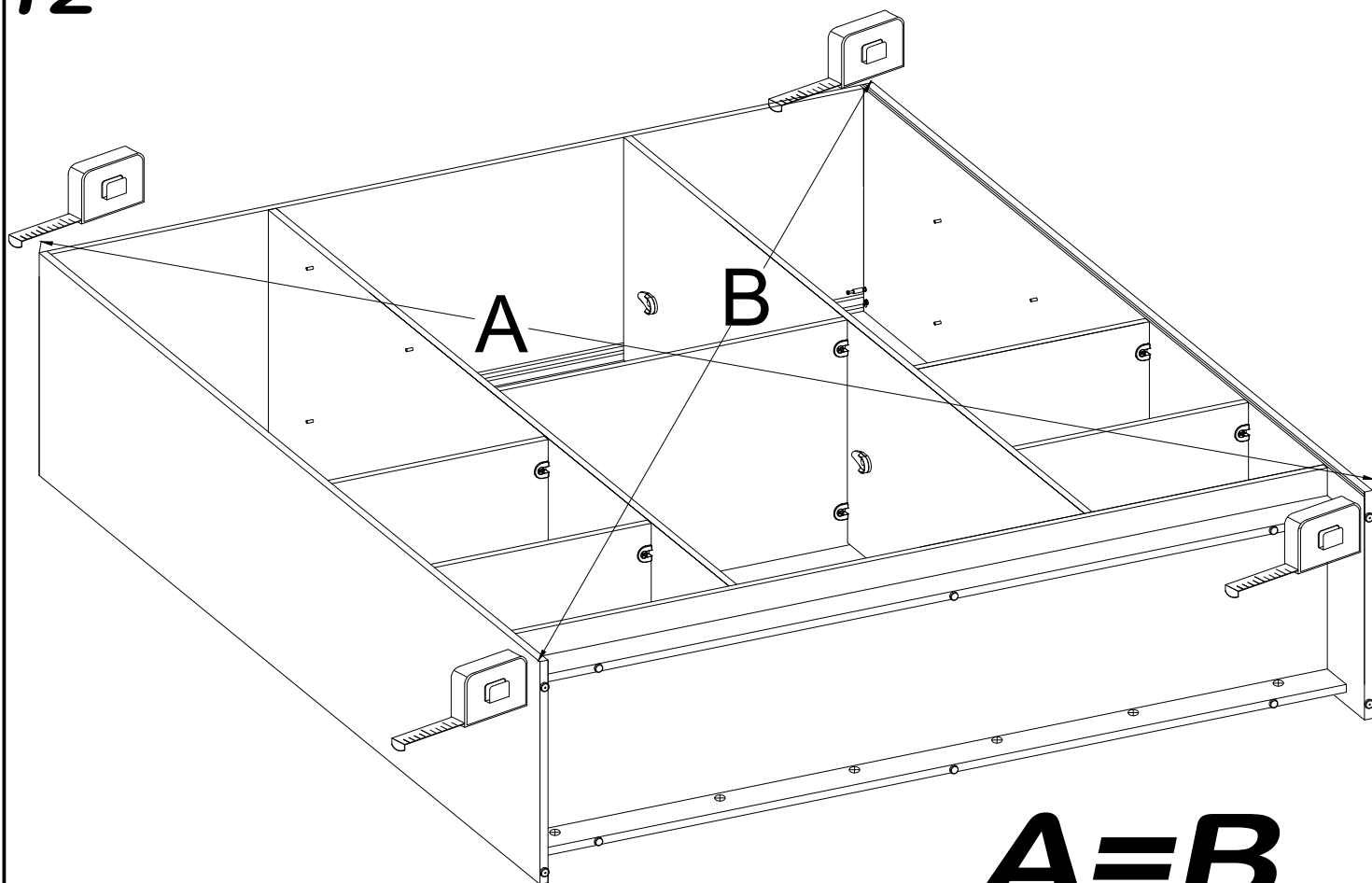
10



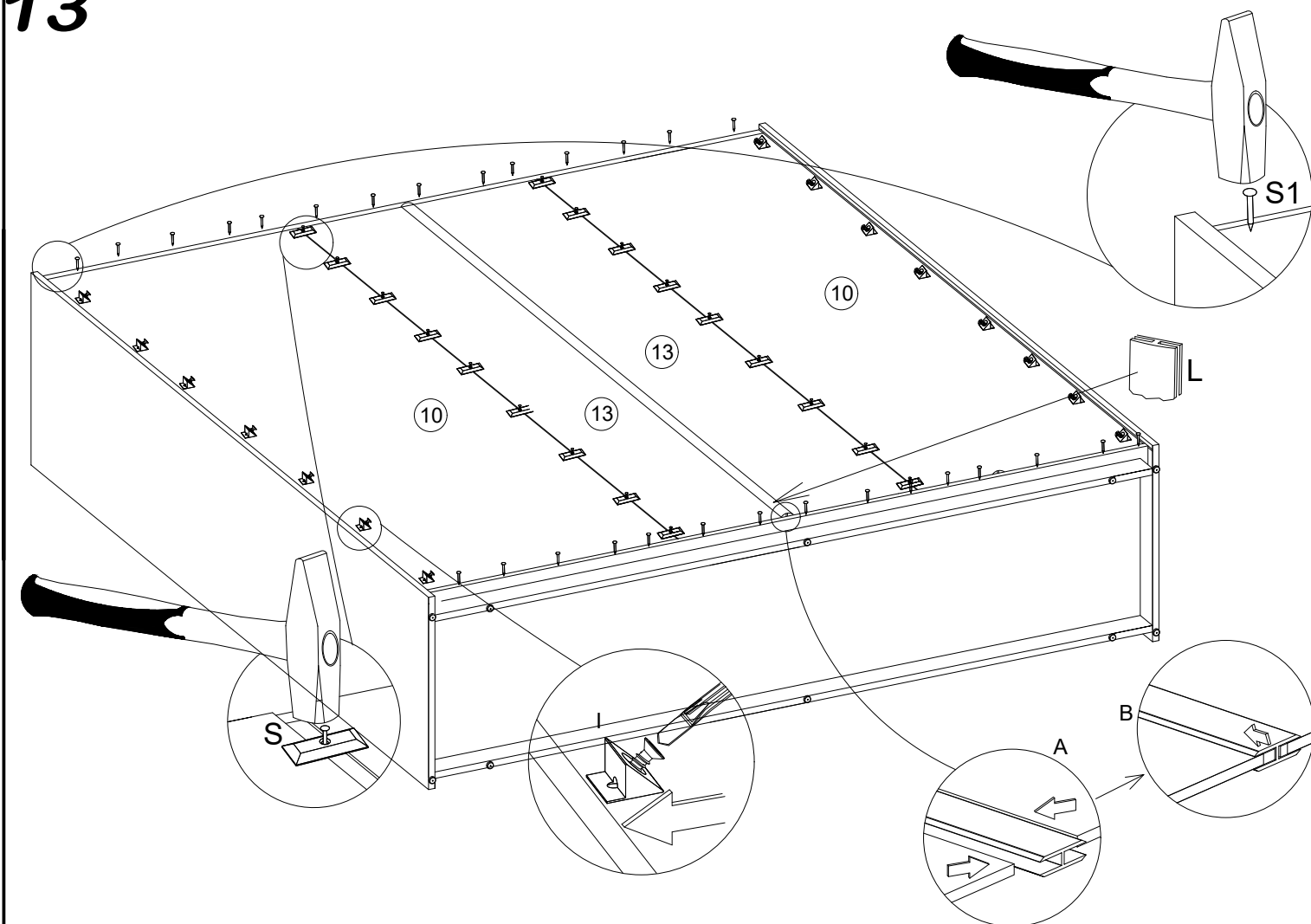
11



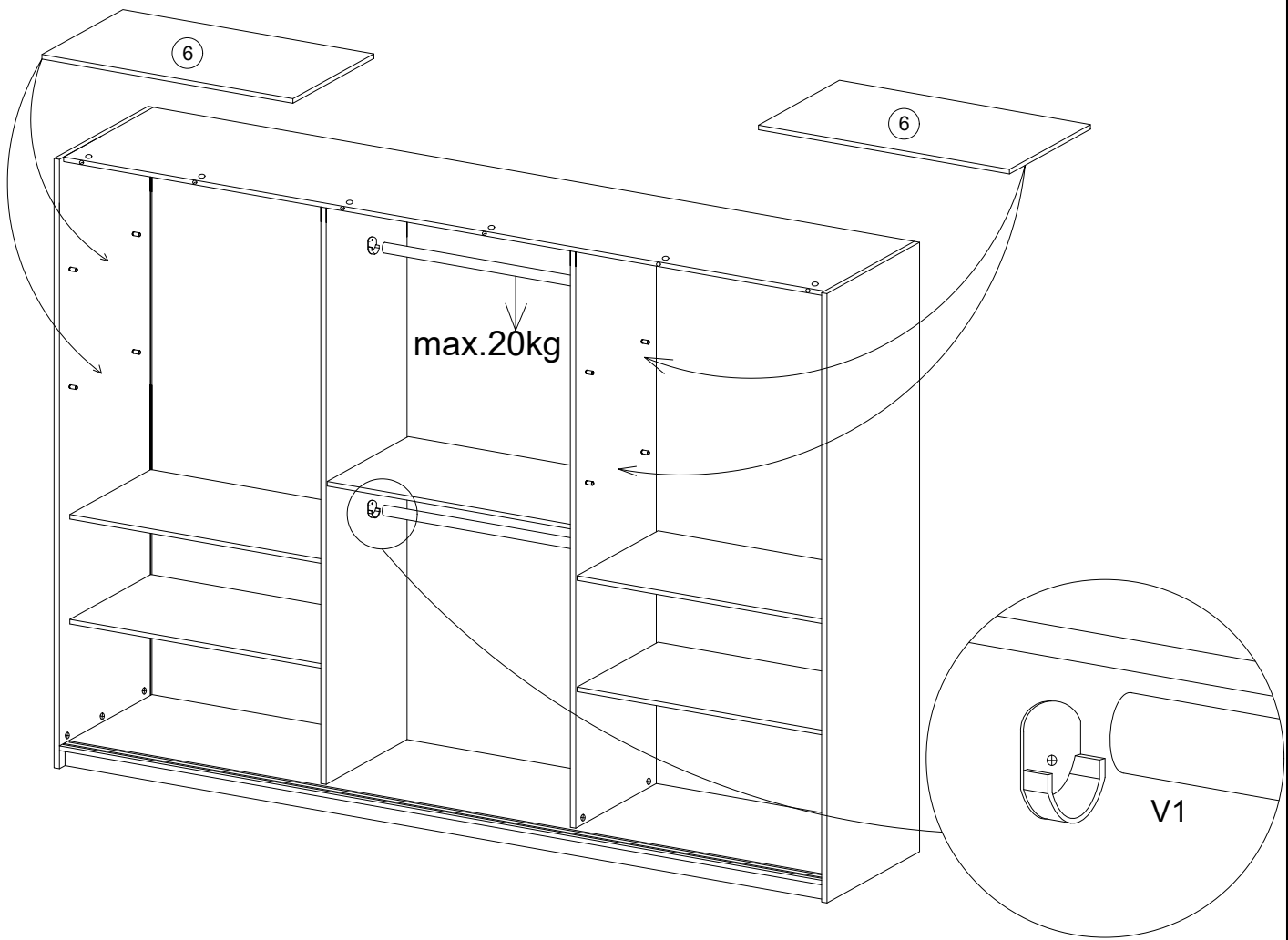
12



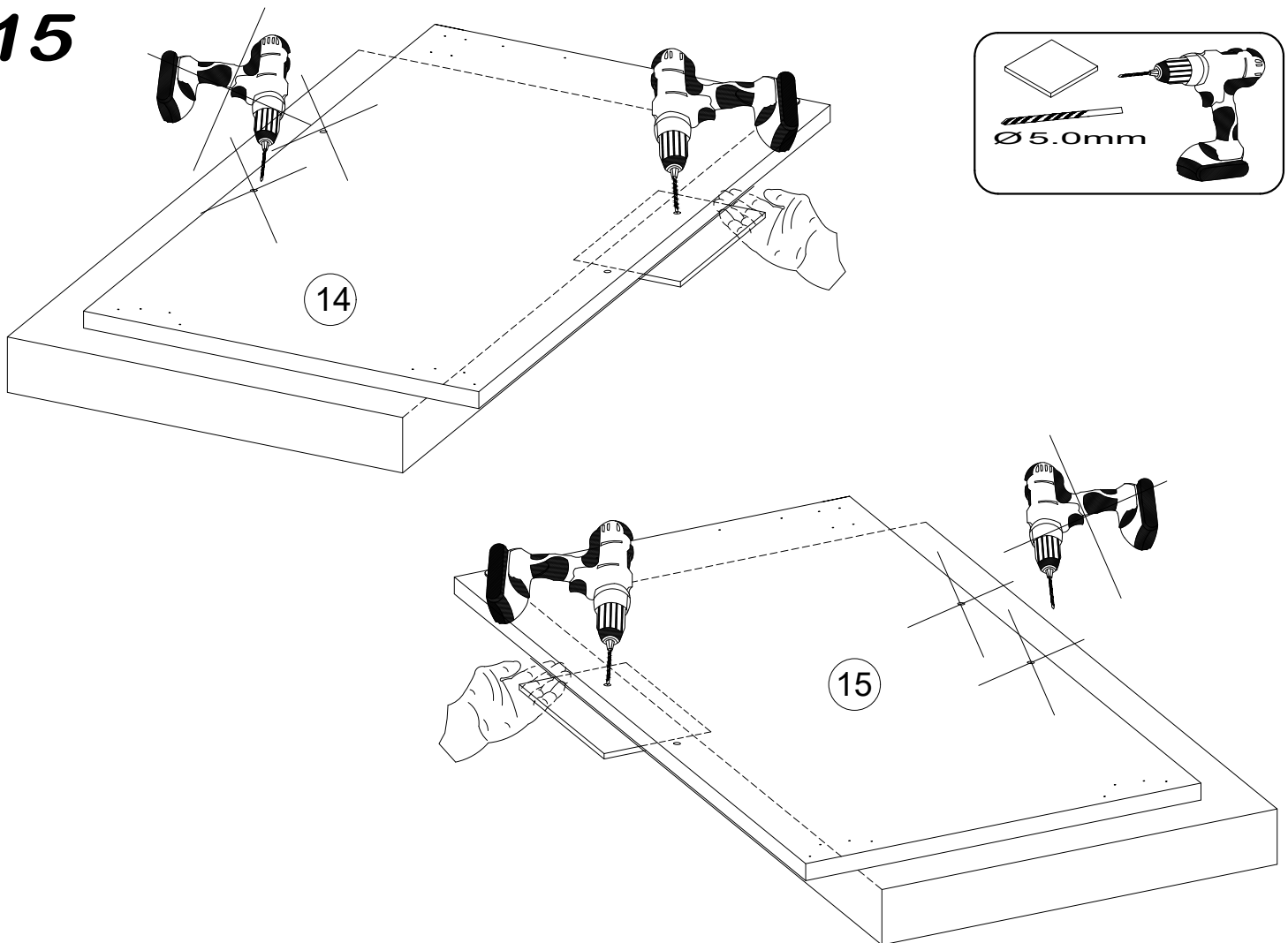
13



14

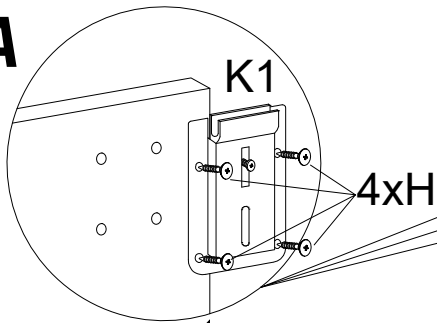


15

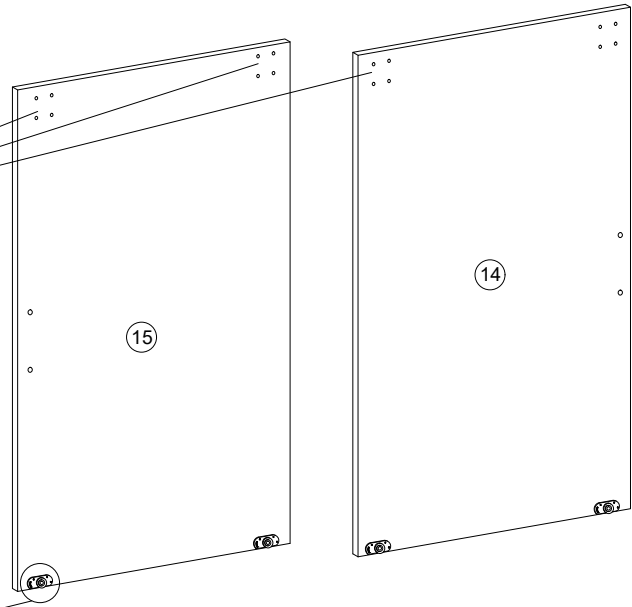
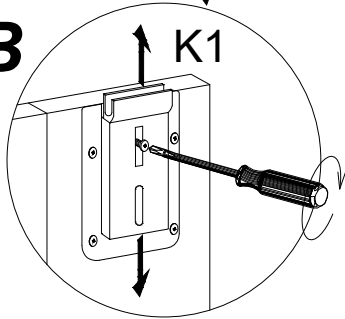


16

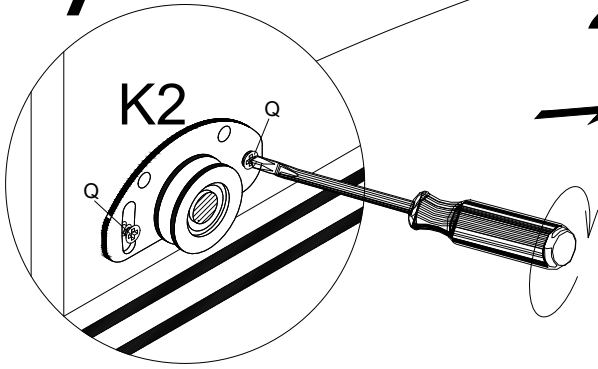
A



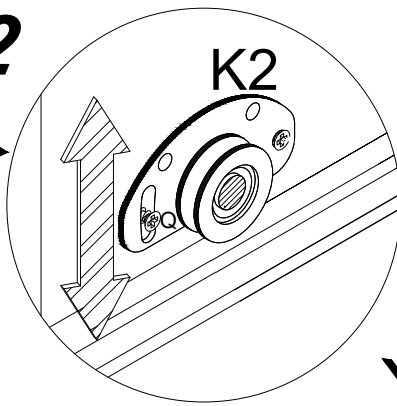
B



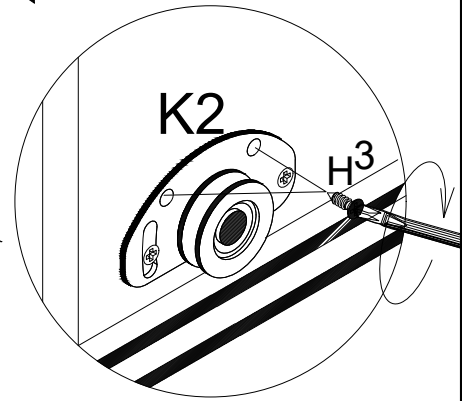
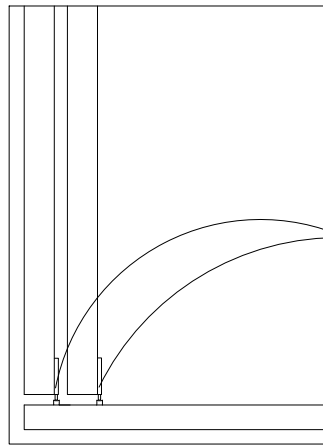
1



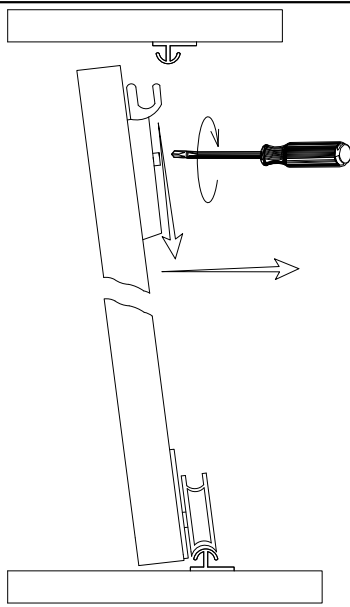
2



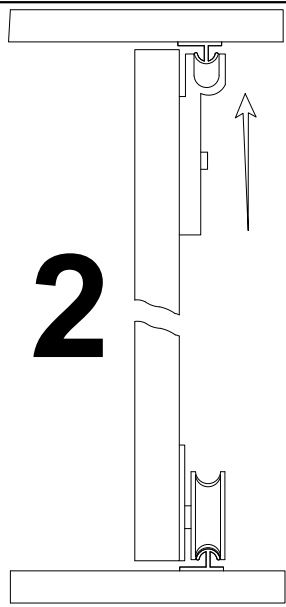
3



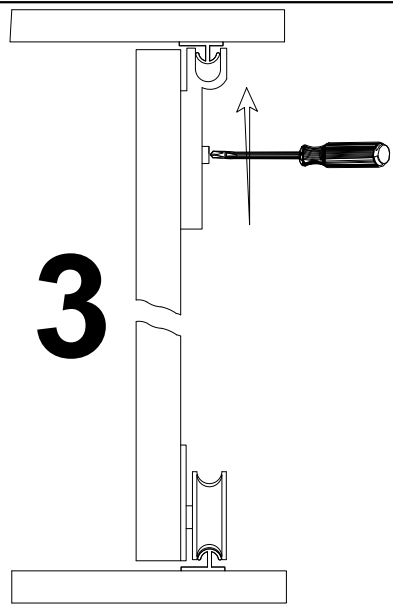
1



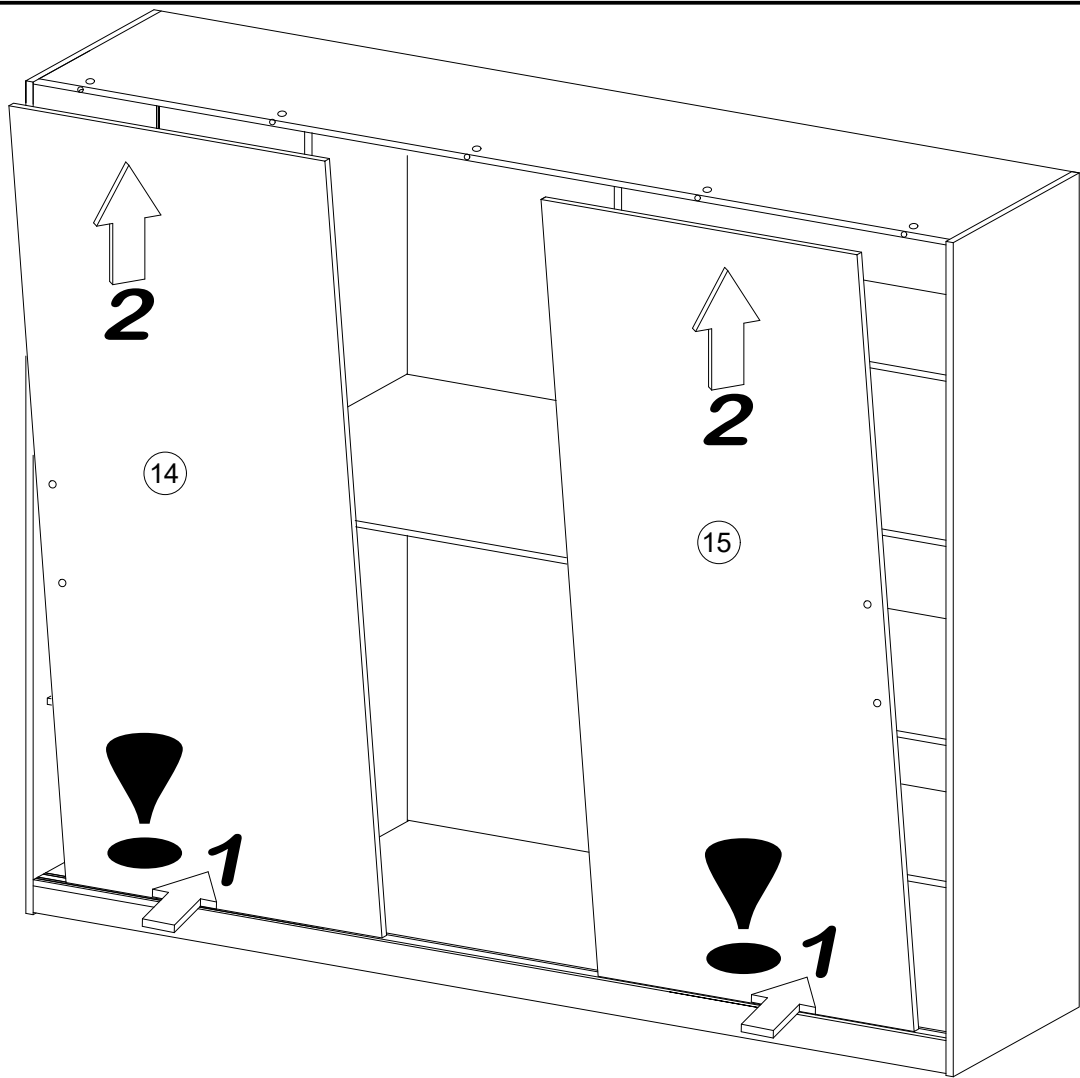
2



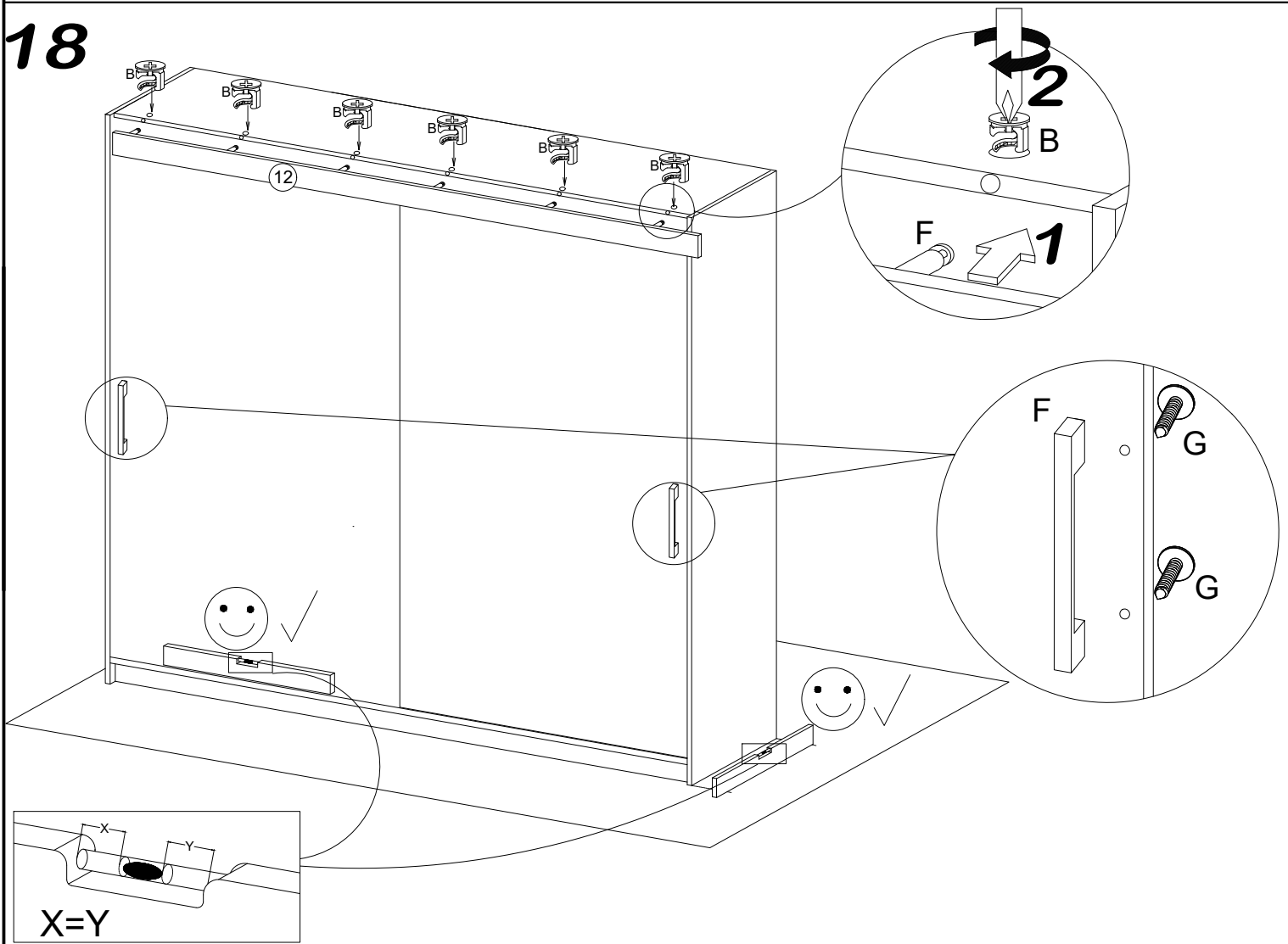
3



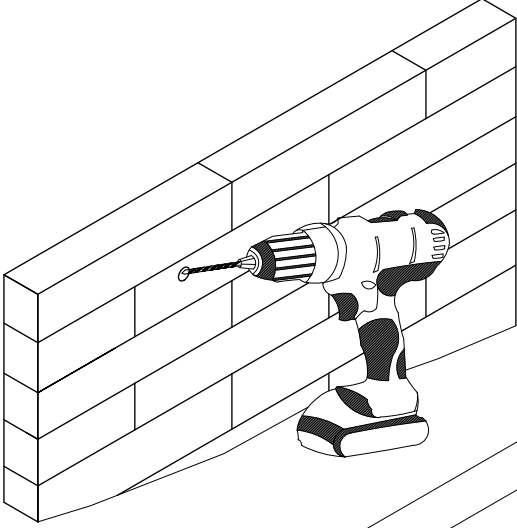
17


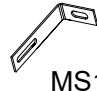


18

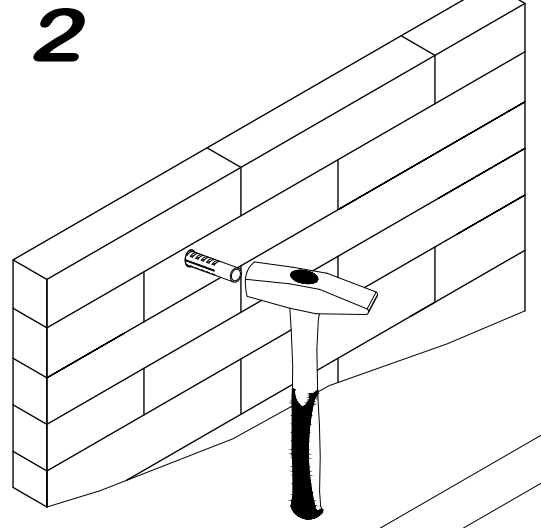


1

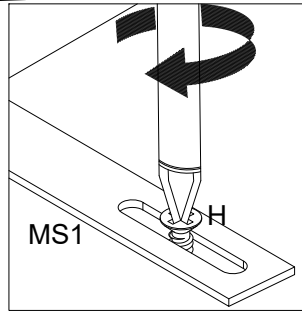
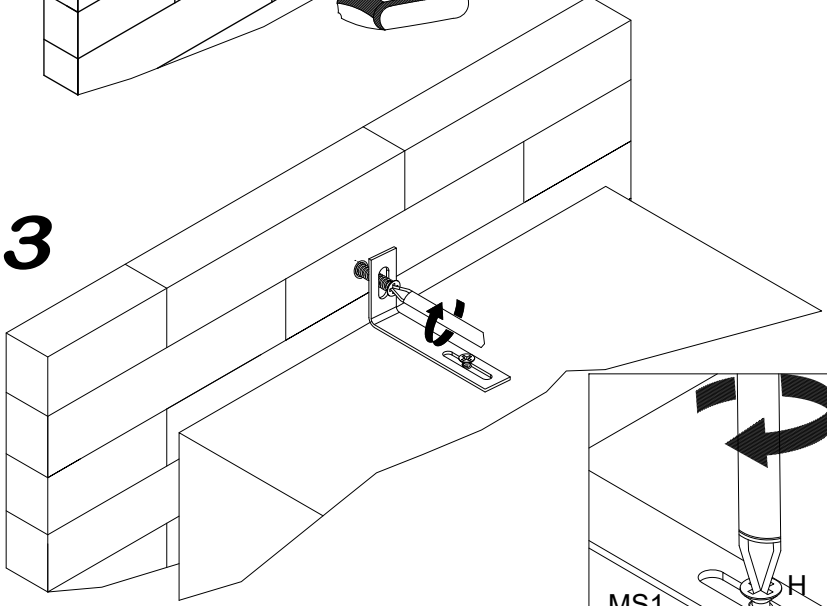


| | |
|--|--|
| 3.5x16 | |
|  |  |
| H | MS1 |
| 1 | 1 |

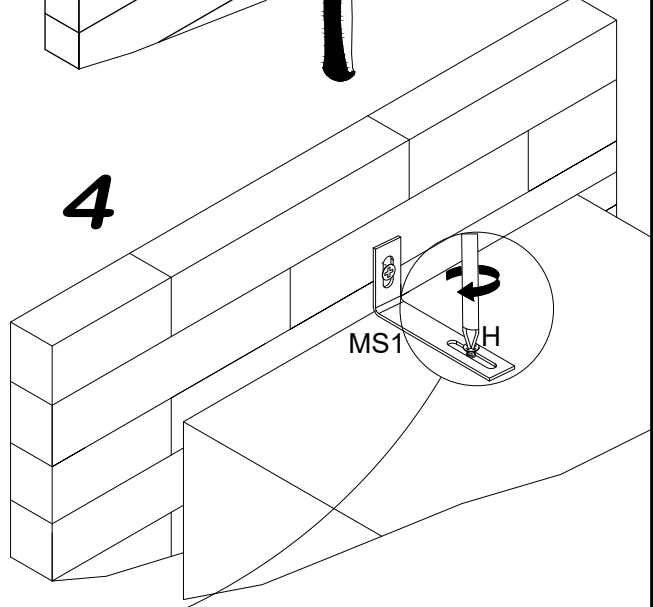
2

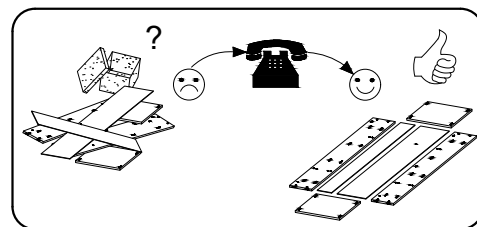
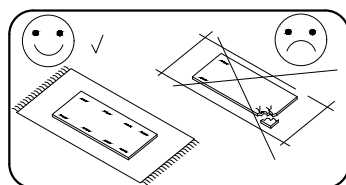
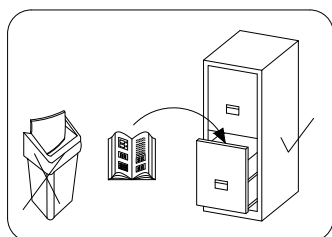
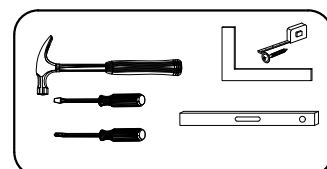
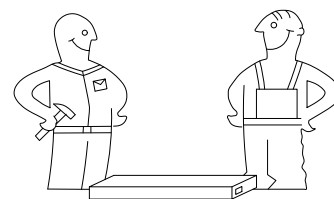











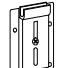






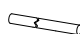





3

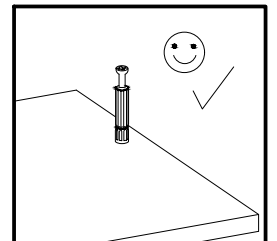
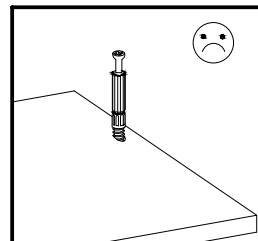
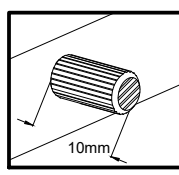
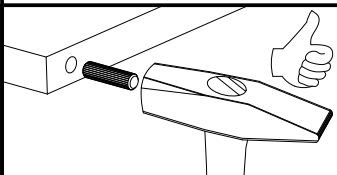
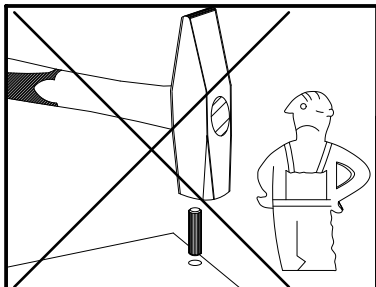


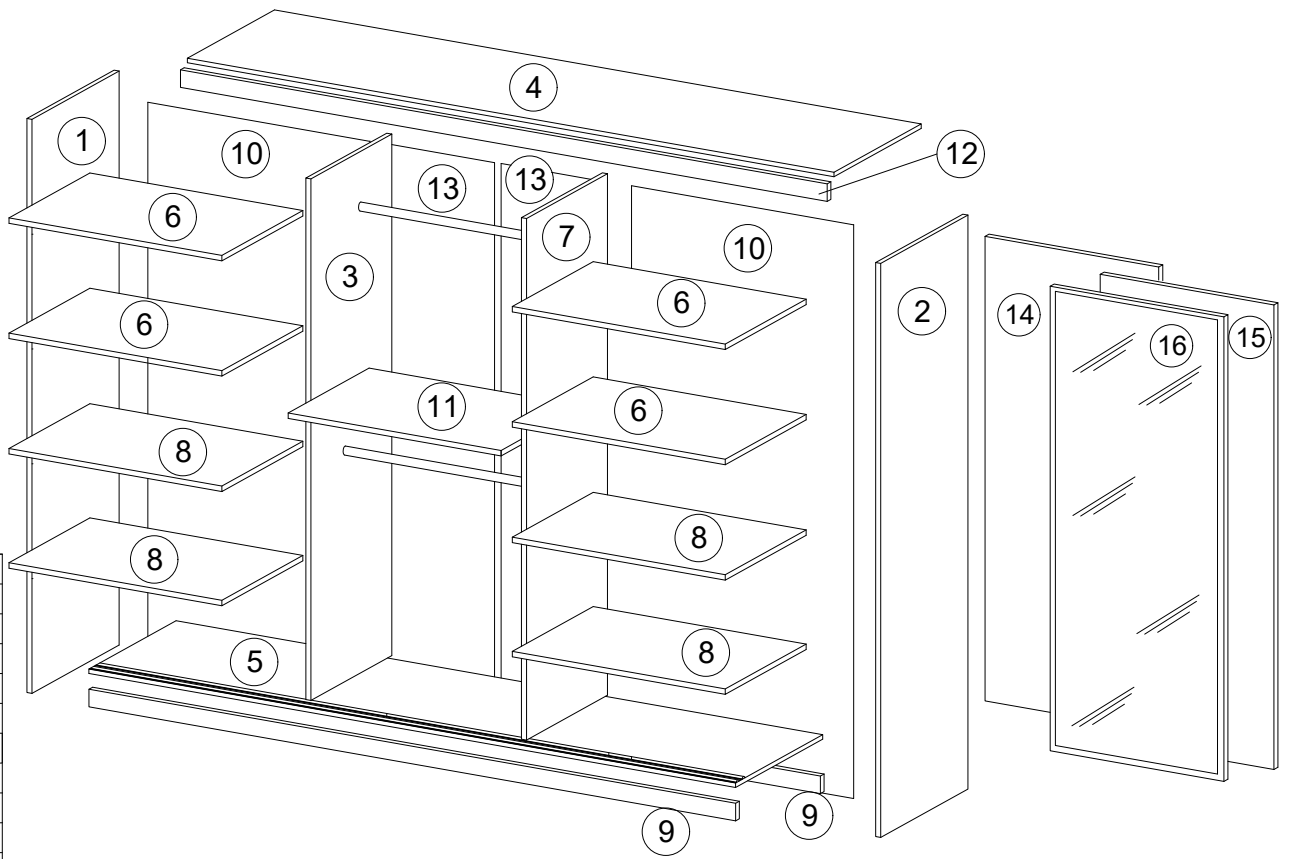
4



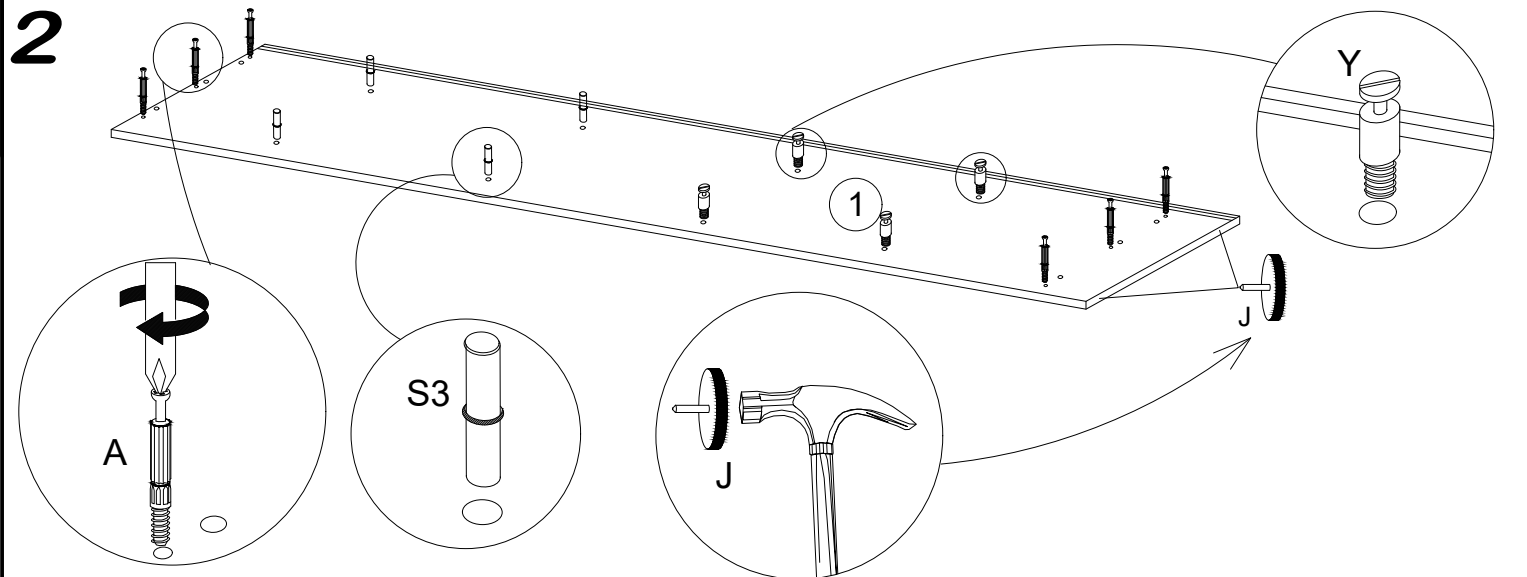
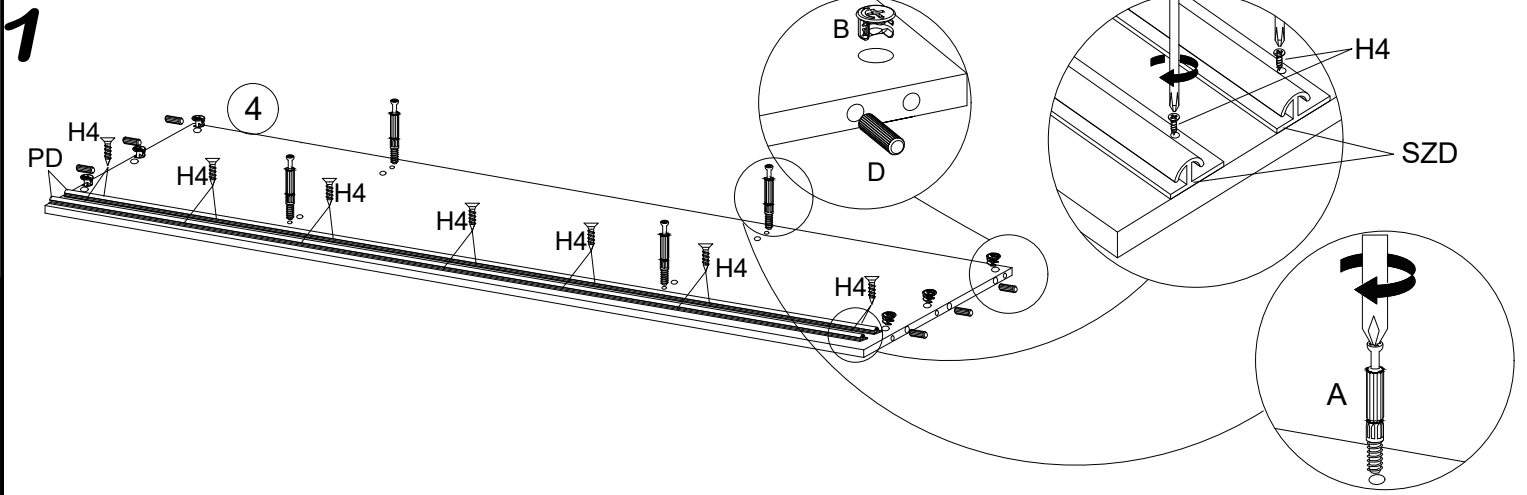


| | | | | | | | | | | |
|--|--|---|---|--|---|--|---|---|---|---|
| 8.0x35  D | 4.0x25  G |  Y |  A |  B | 3.5x16  H |  V |  N |  K2 |  K1 |  S3 |
| 20 | 4 | 20 | 26 | 26 | 34 | 20 | 4 | 6 | 6 | 16 |
|  X |  F | Ø-2.0  S | 1.4x25  S1 |  I | L-1090  V1 | L-1850  L | 6.3x13  Q |  J |  PD | 3.0x13  H4 |
| 26 | 2 | 38 | 60 | 35 | 2 | 3 | 12 | 10 | 2 | 24 |

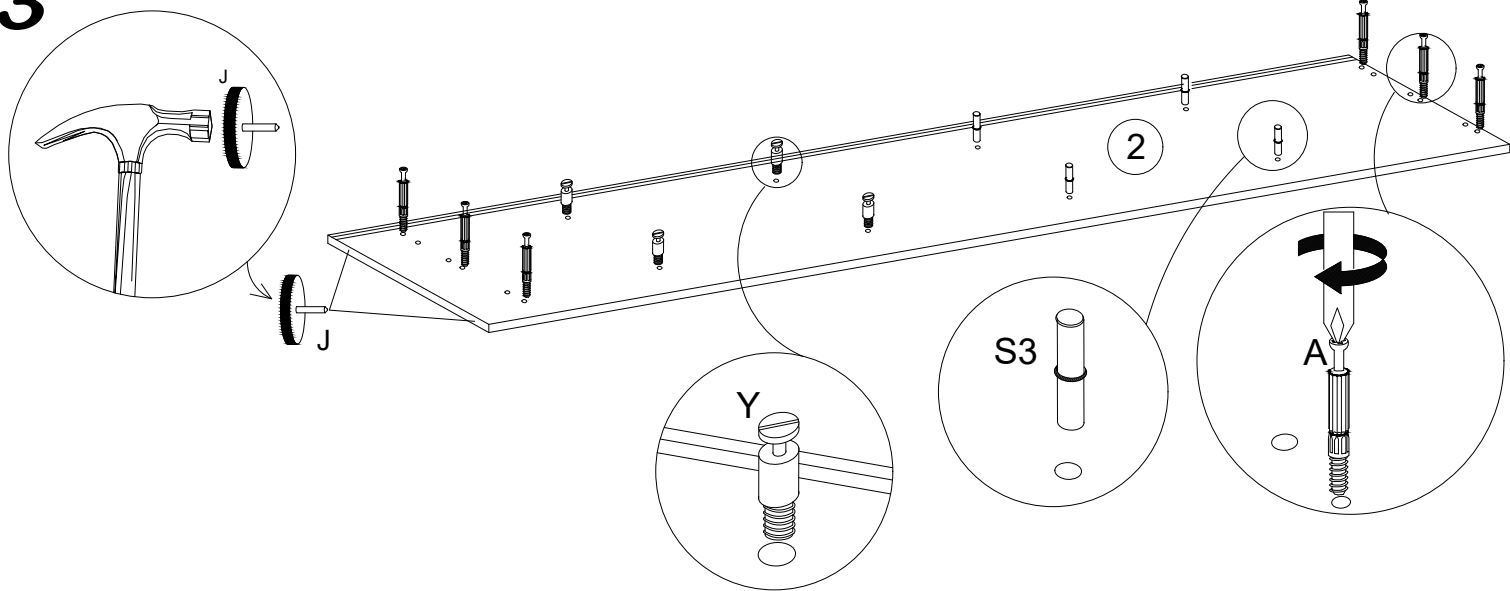




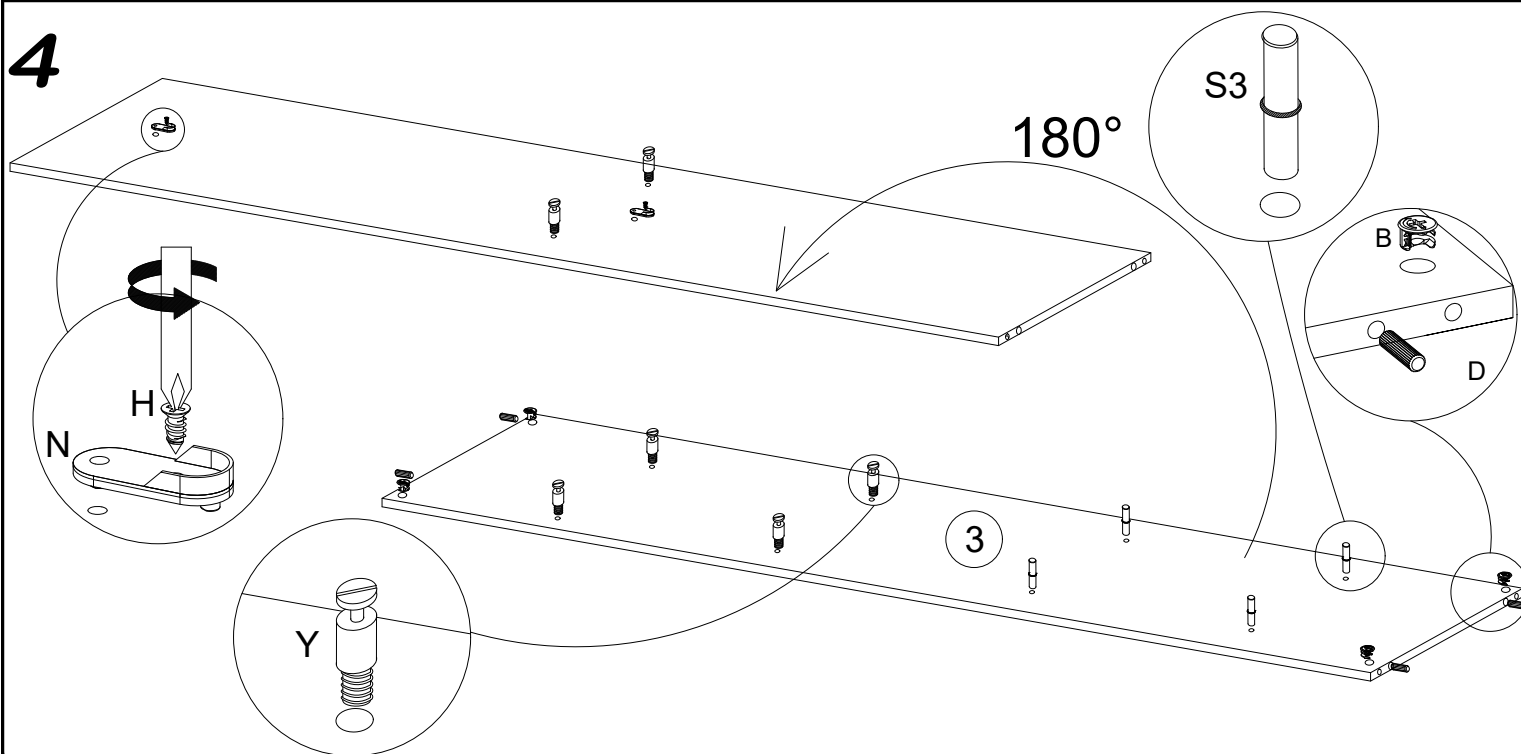
| No. | Pcs. | L | W | D |
|-----|------|------|-----|----|
| 1. | 1 | 2000 | 620 | 16 |
| 2. | 1 | 2000 | 620 | 16 |
| 3. | 1 | 1888 | 480 | 16 |
| 4. | 1 | 2468 | 582 | 16 |
| 5. | 1 | 2468 | 600 | 16 |
| 6. | 4 | 667 | 480 | 16 |
| 7. | 1 | 1888 | 480 | 16 |
| 8. | 4 | 667 | 480 | 16 |
| 9. | 2 | 2468 | 80 | 16 |
| 10. | 4 | 1918 | 341 | 3 |
| 11. | 1 | 1102 | 480 | 16 |
| 12. | 1 | 2468 | 70 | 16 |
| 13. | 2 | 1918 | 557 | 3 |
| 14. | 1 | 1873 | 850 | 16 |
| 15. | 1 | 1873 | 850 | 16 |
| 16. | 1 | 1873 | 850 | 16 |



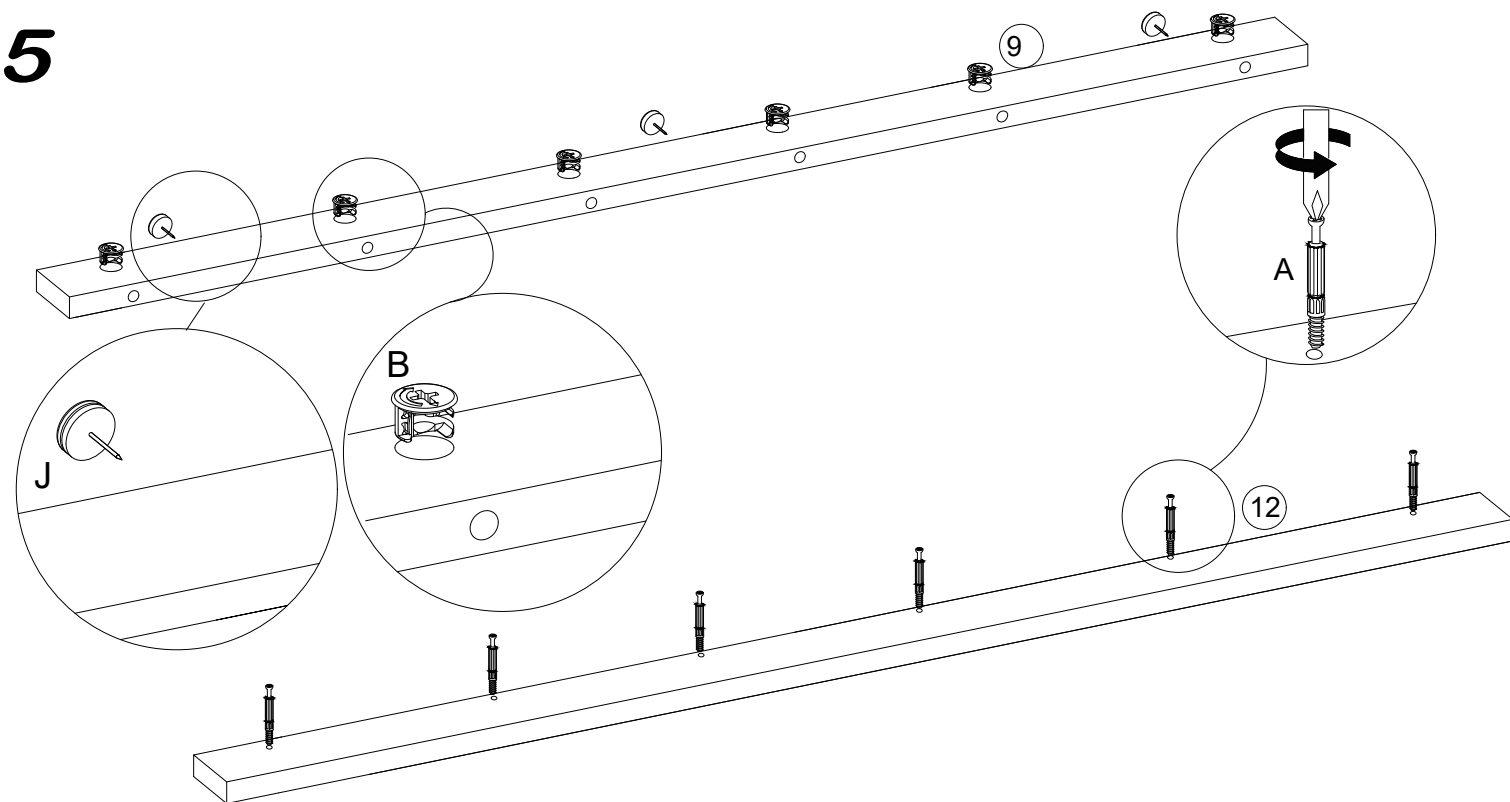
3



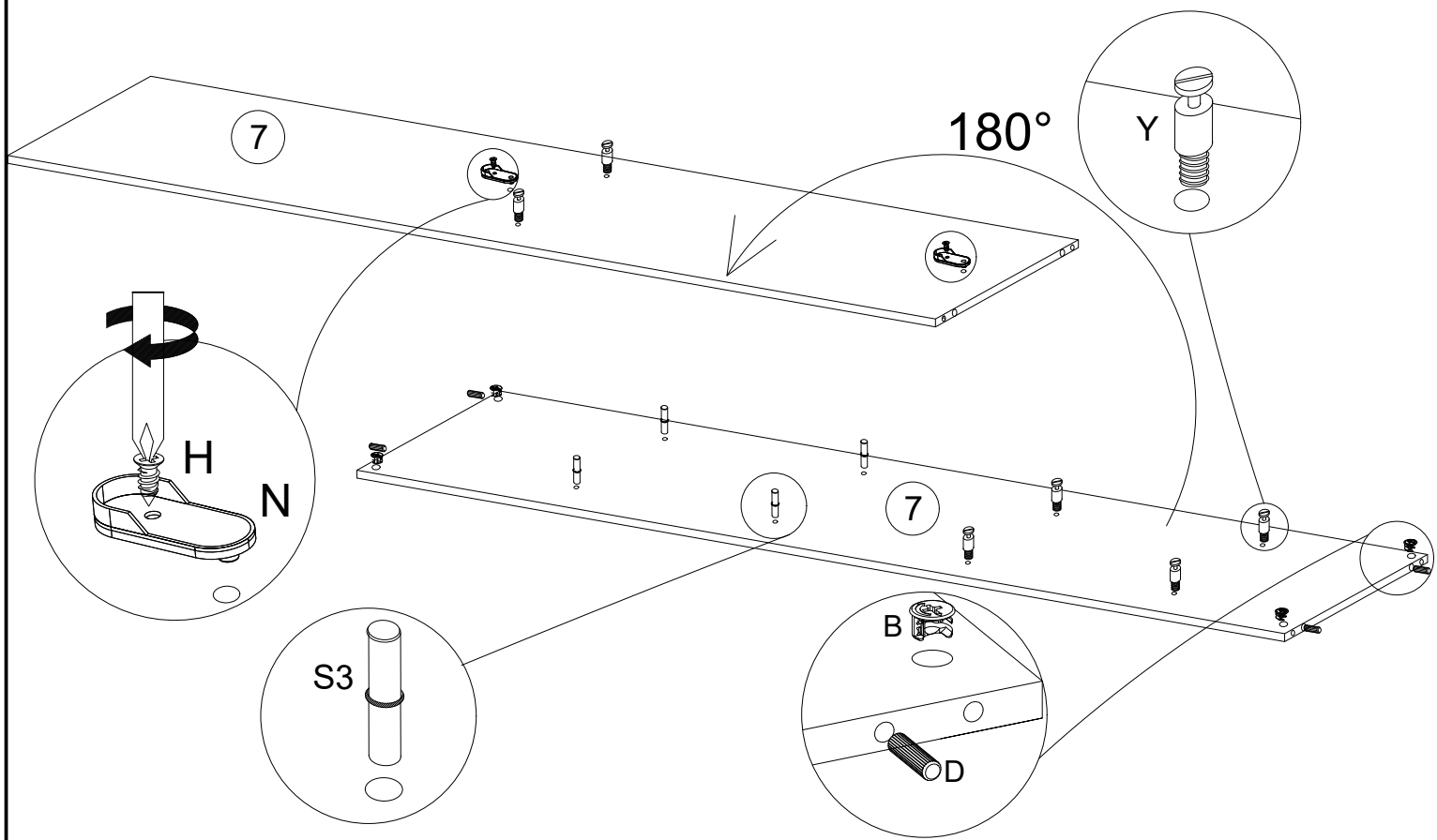
4



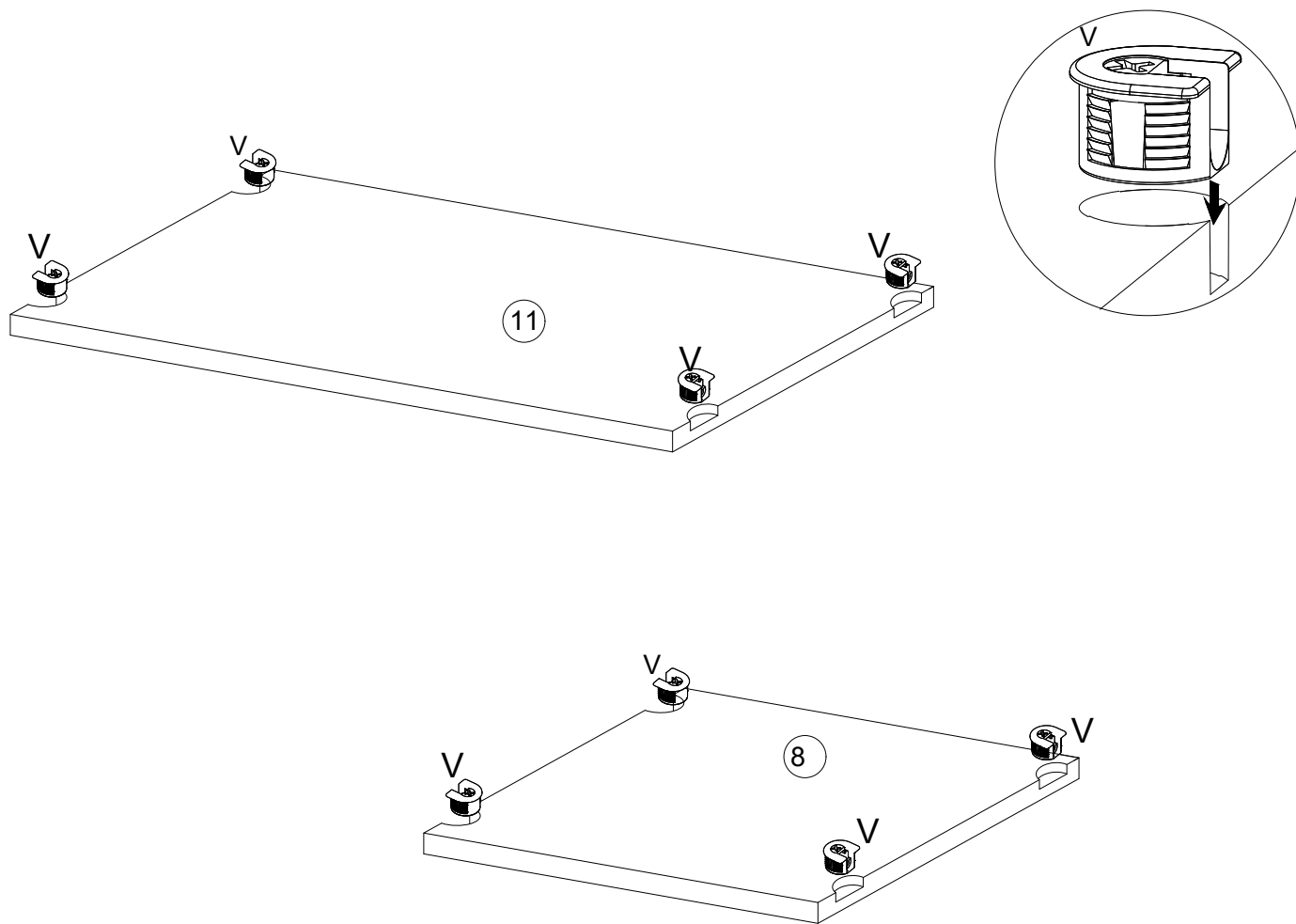
5



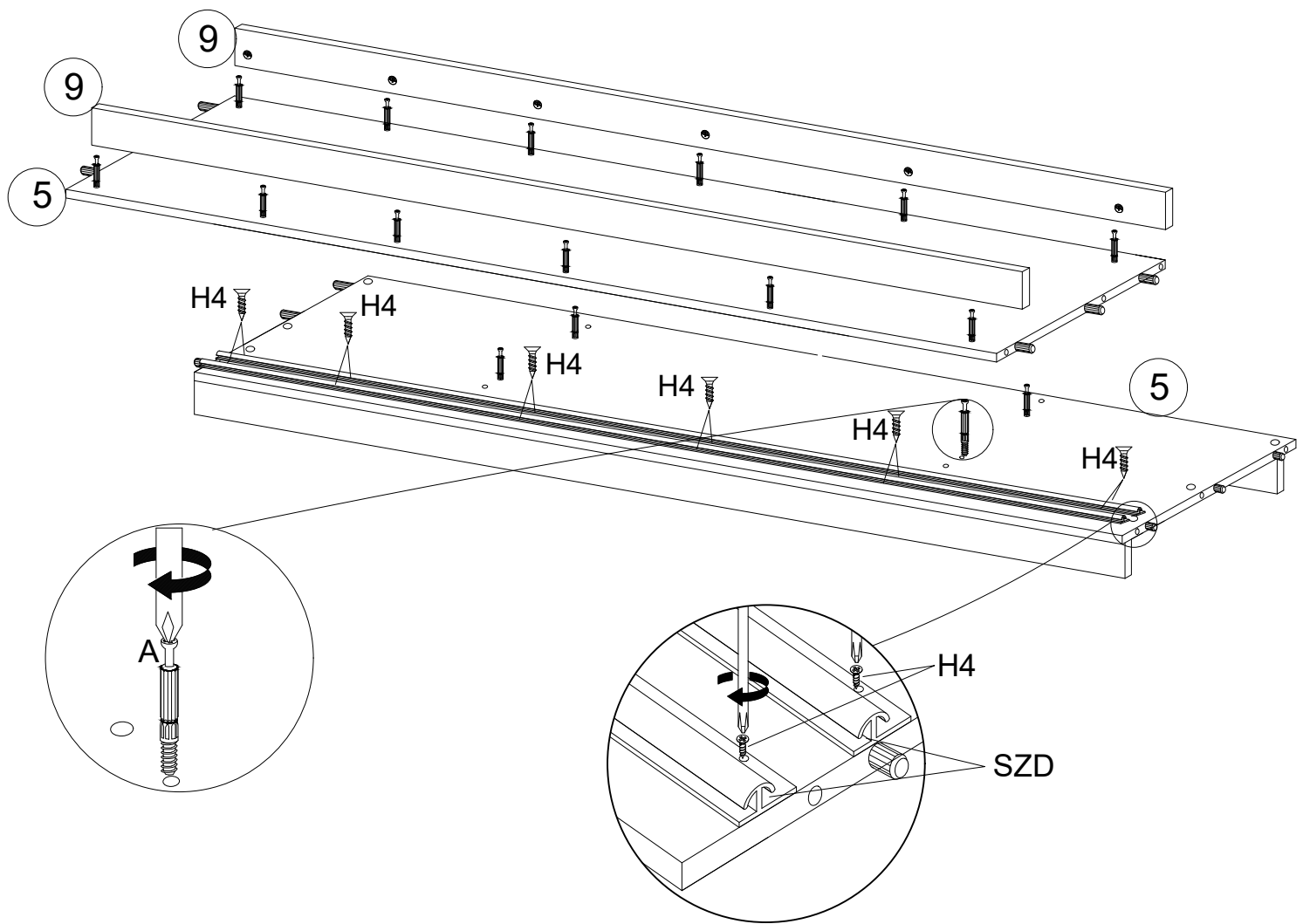
6



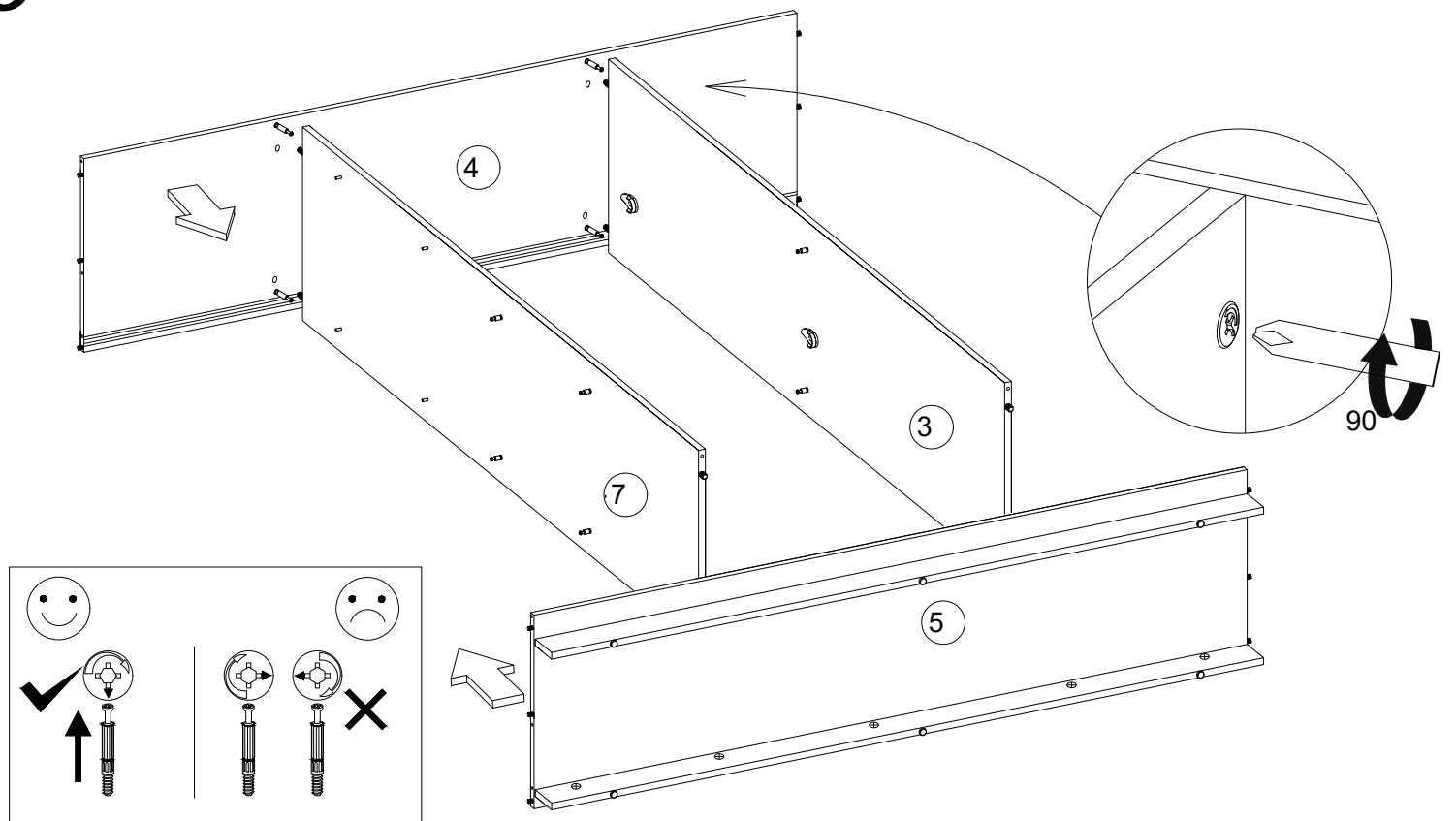
7



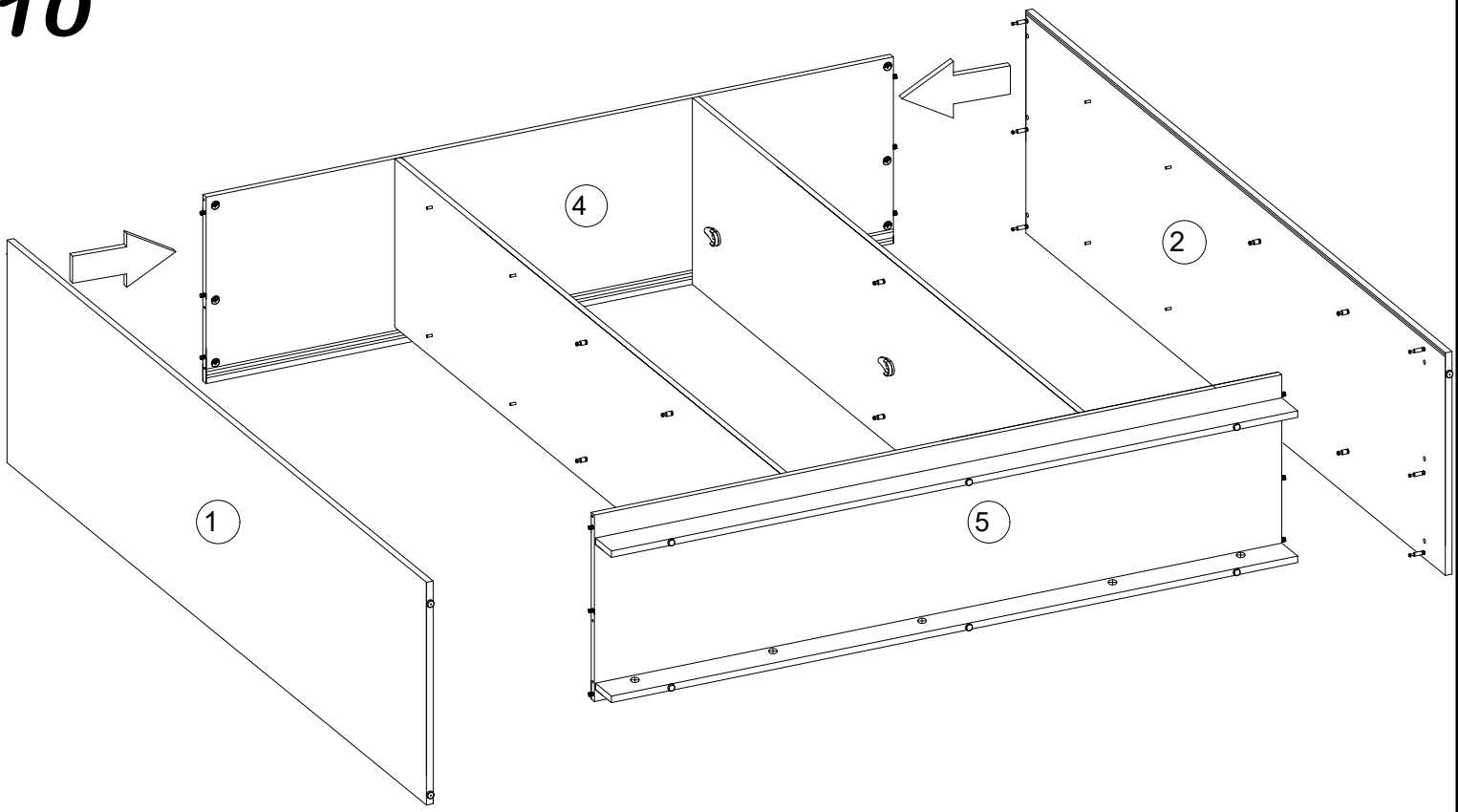
8



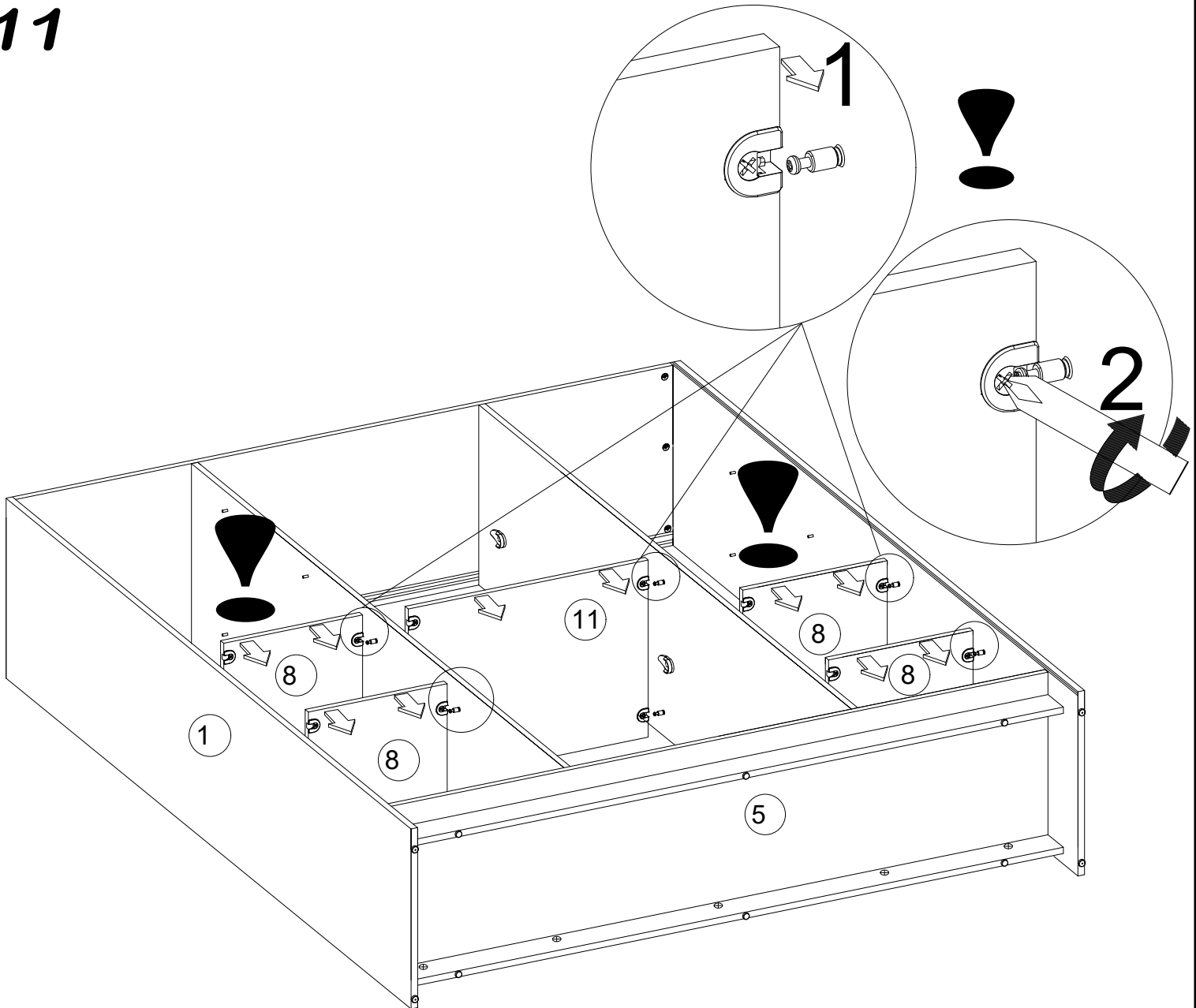
9



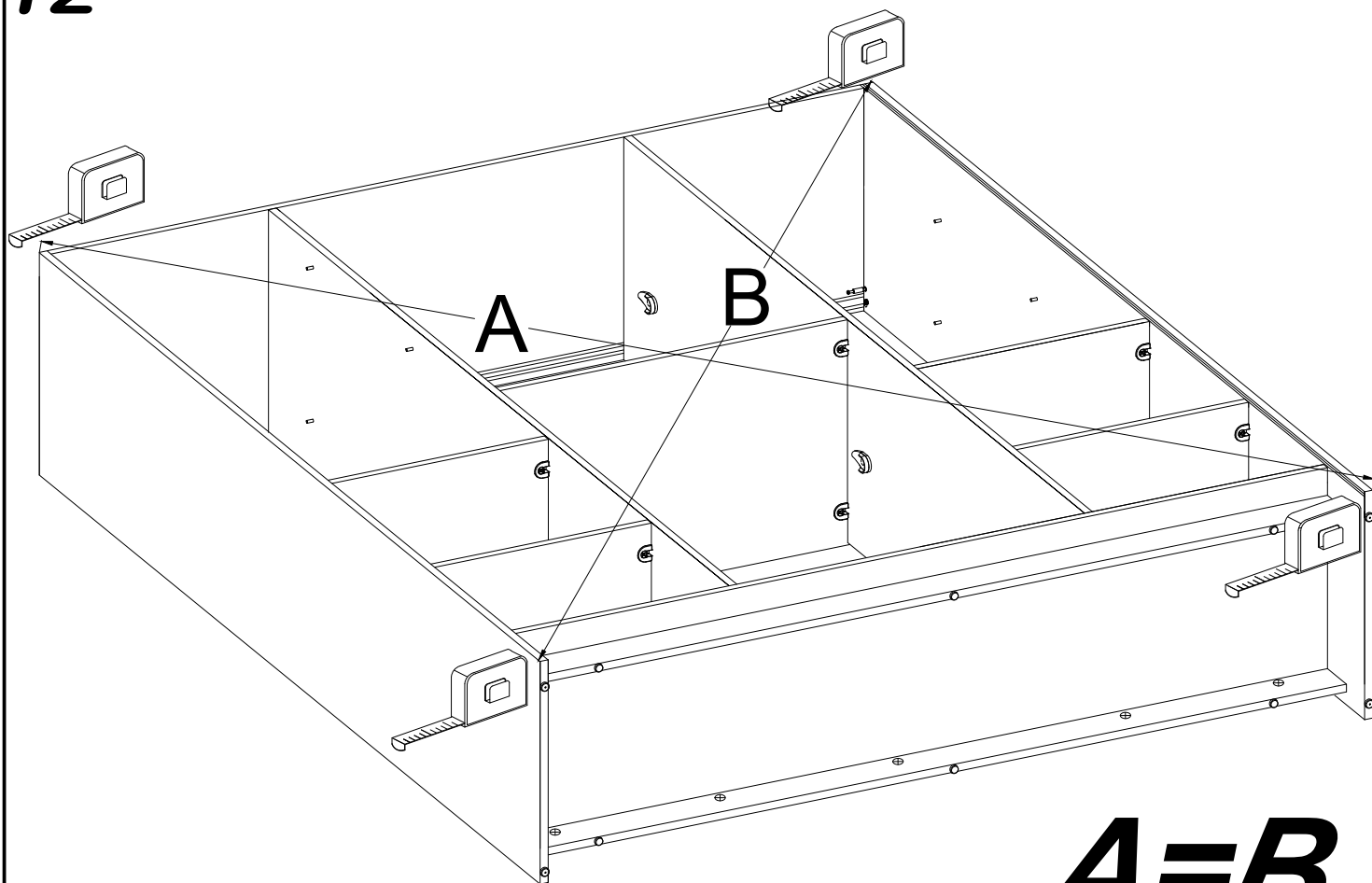
10



11

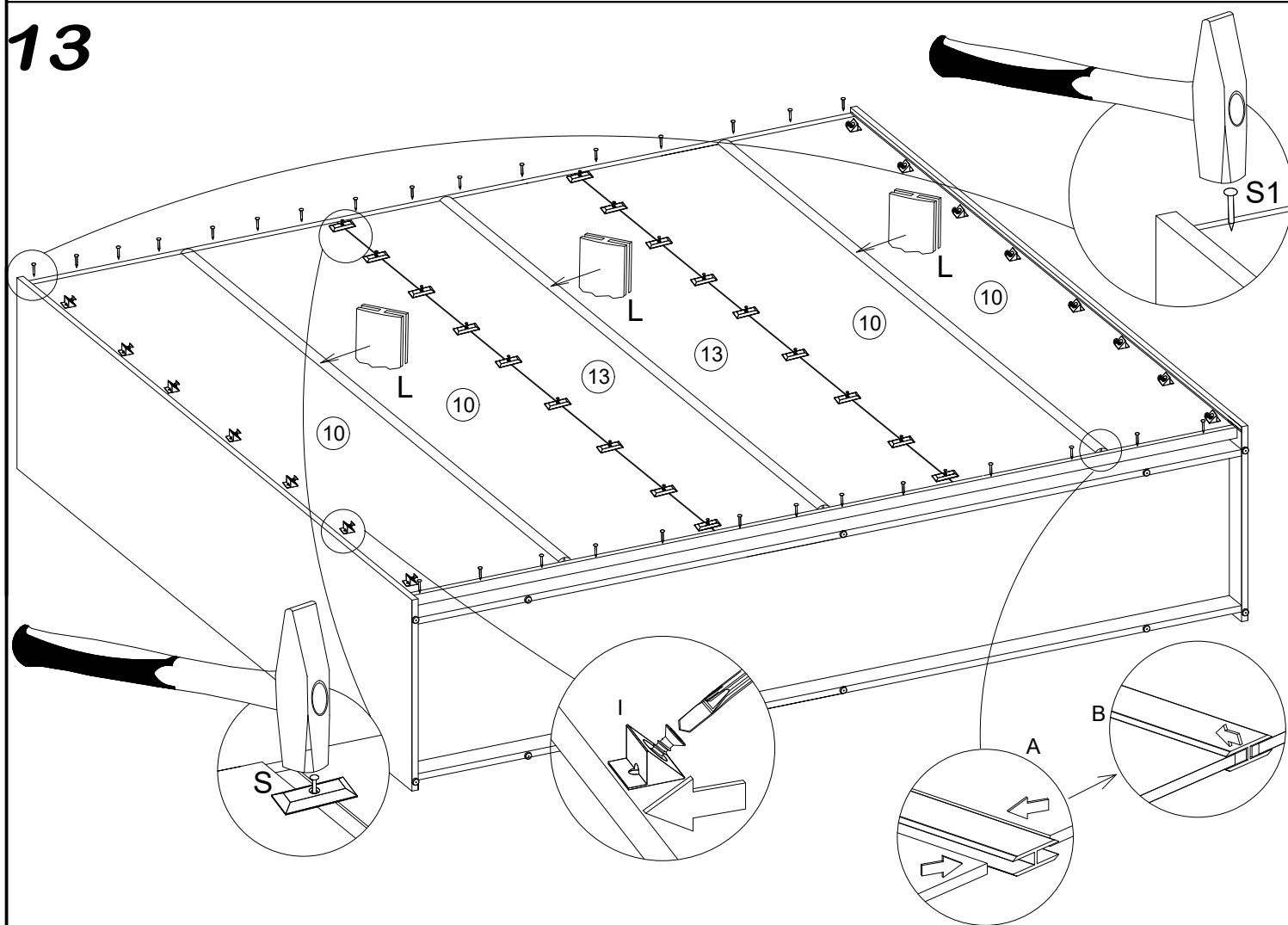


12

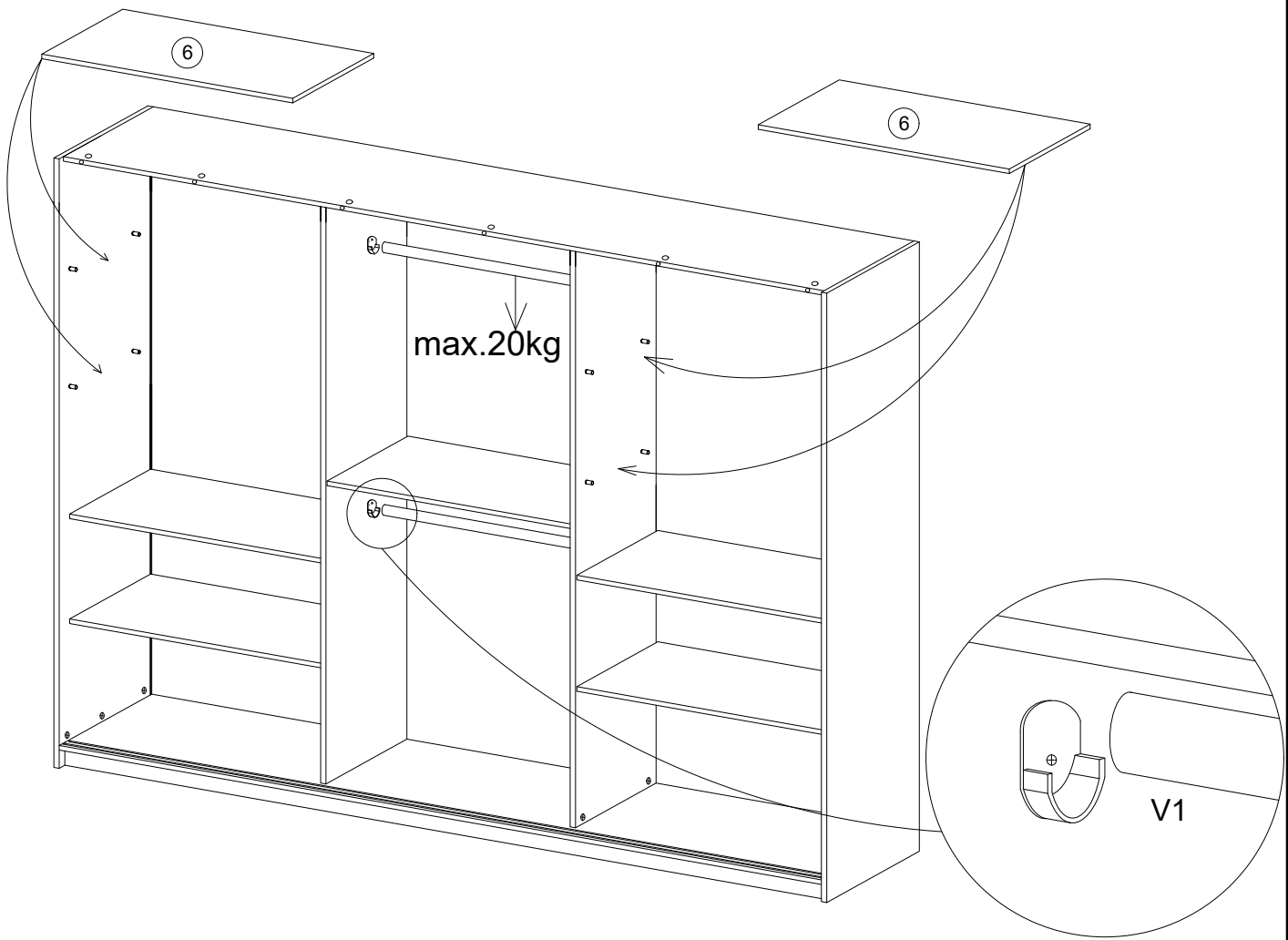


A=B

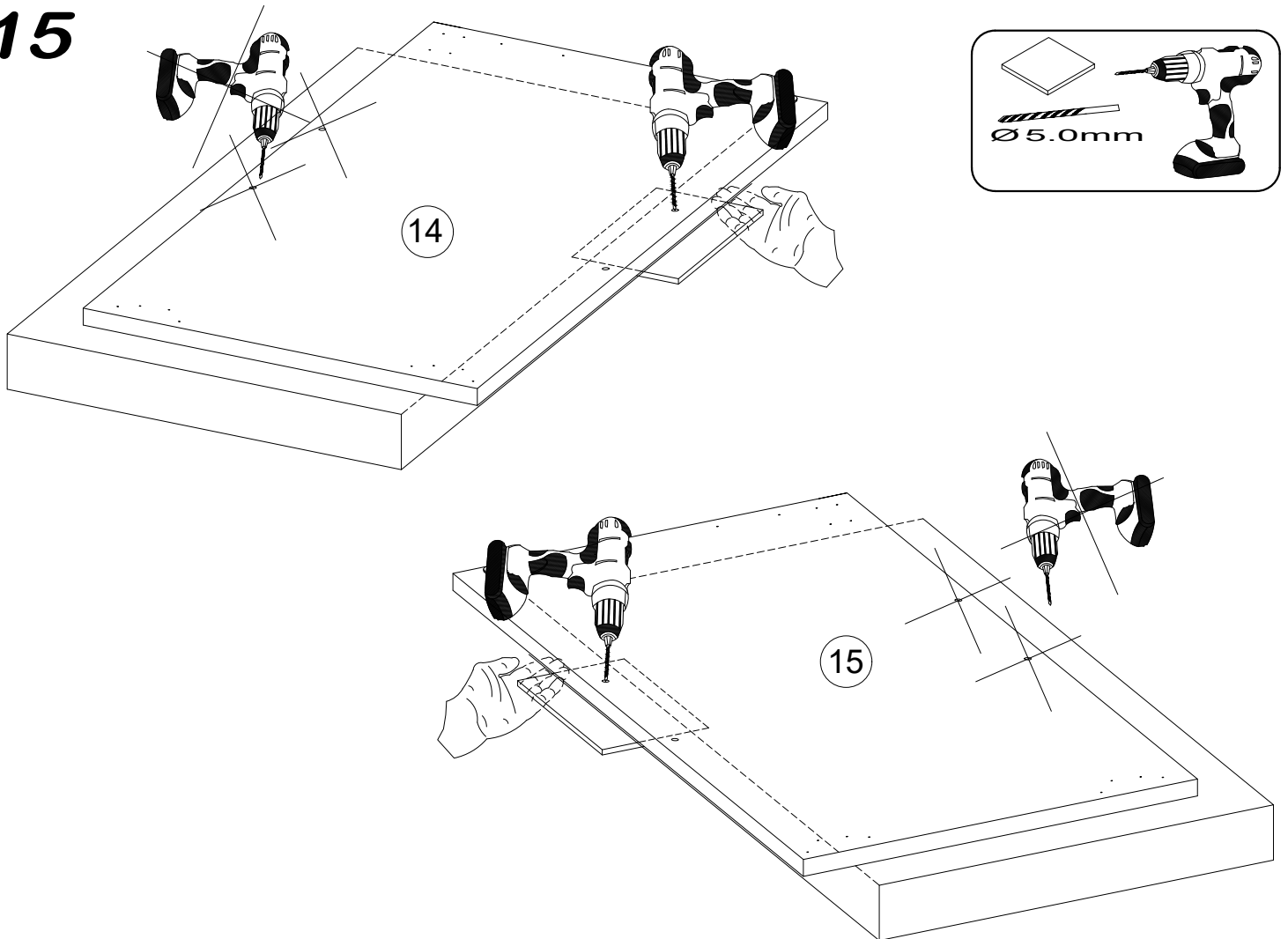
13

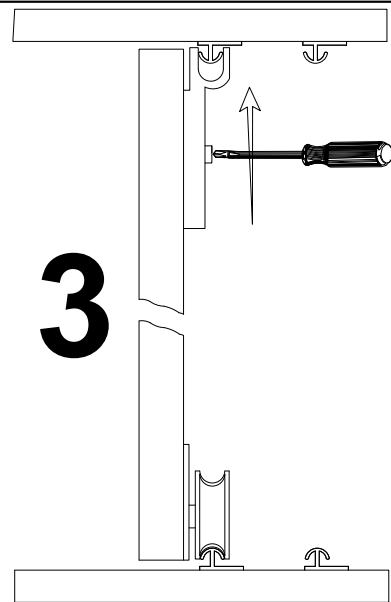
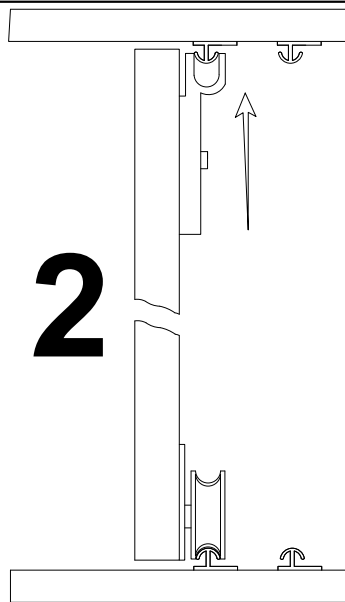
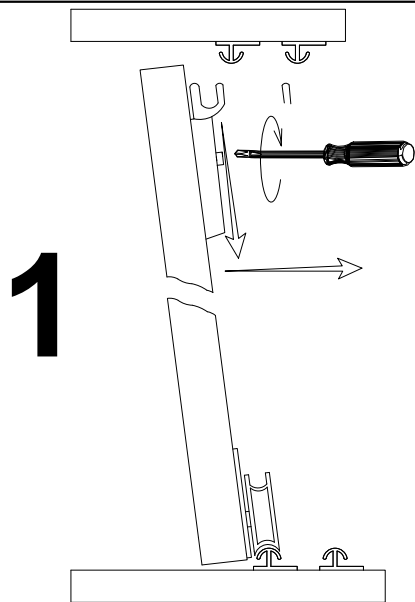
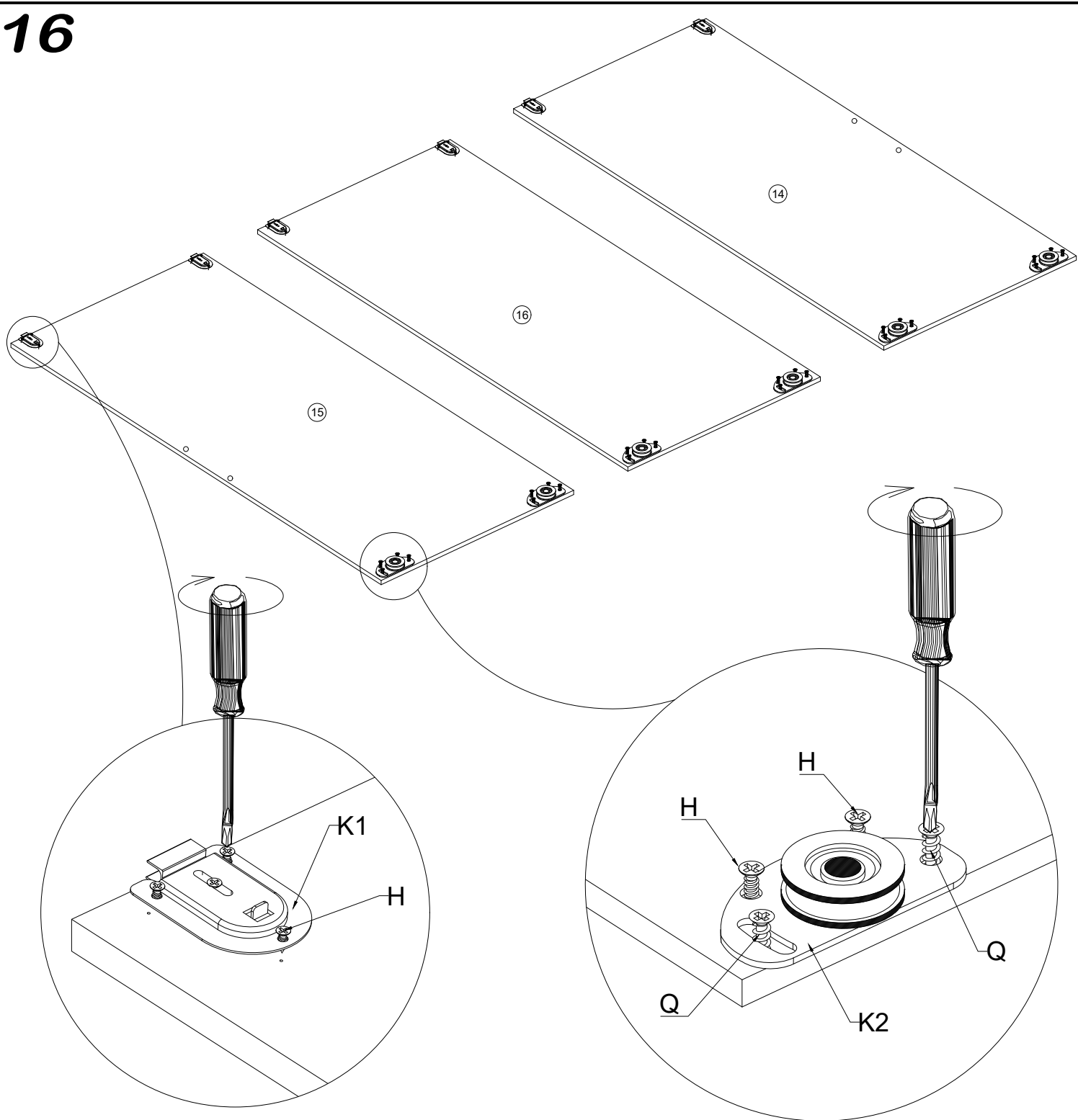


14

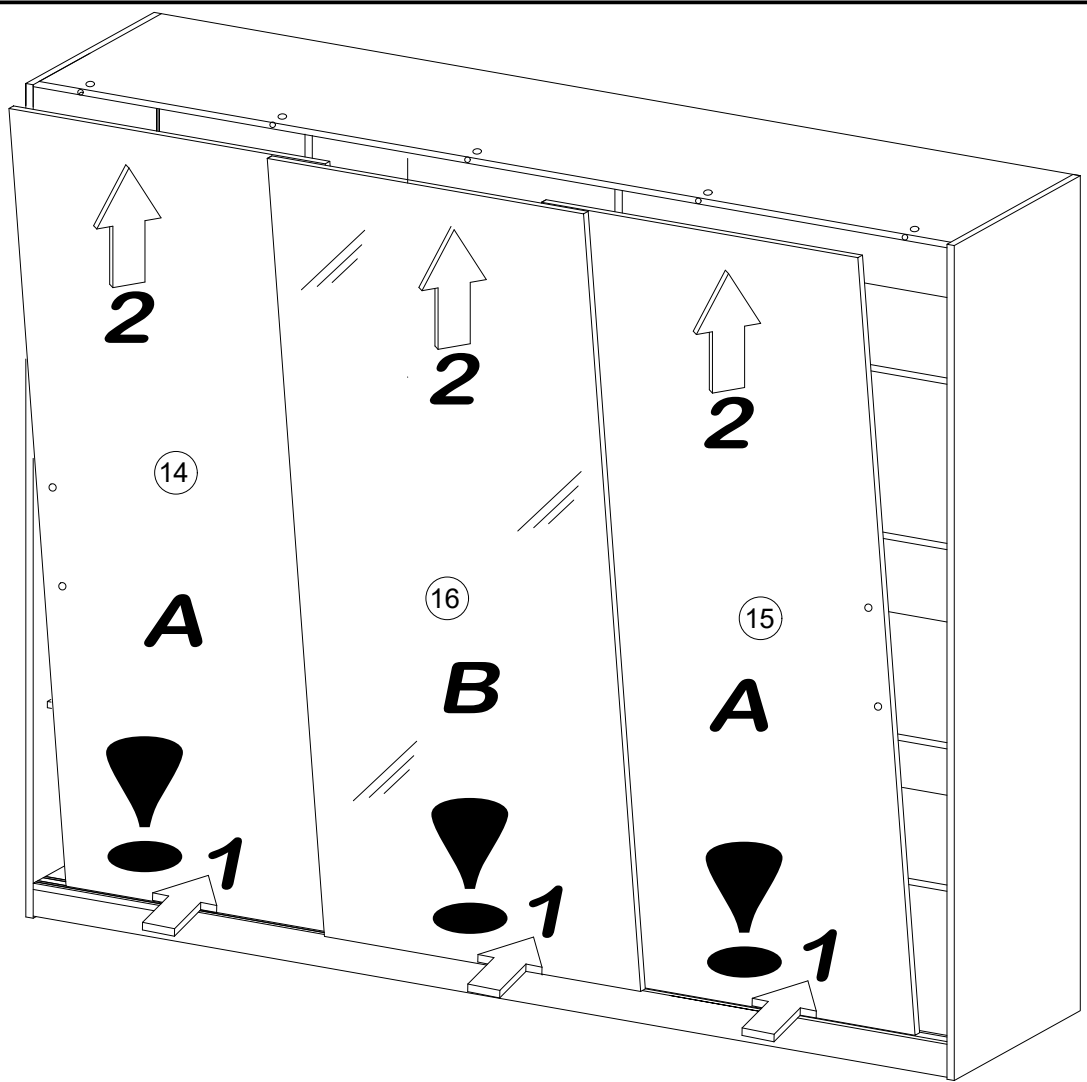


15

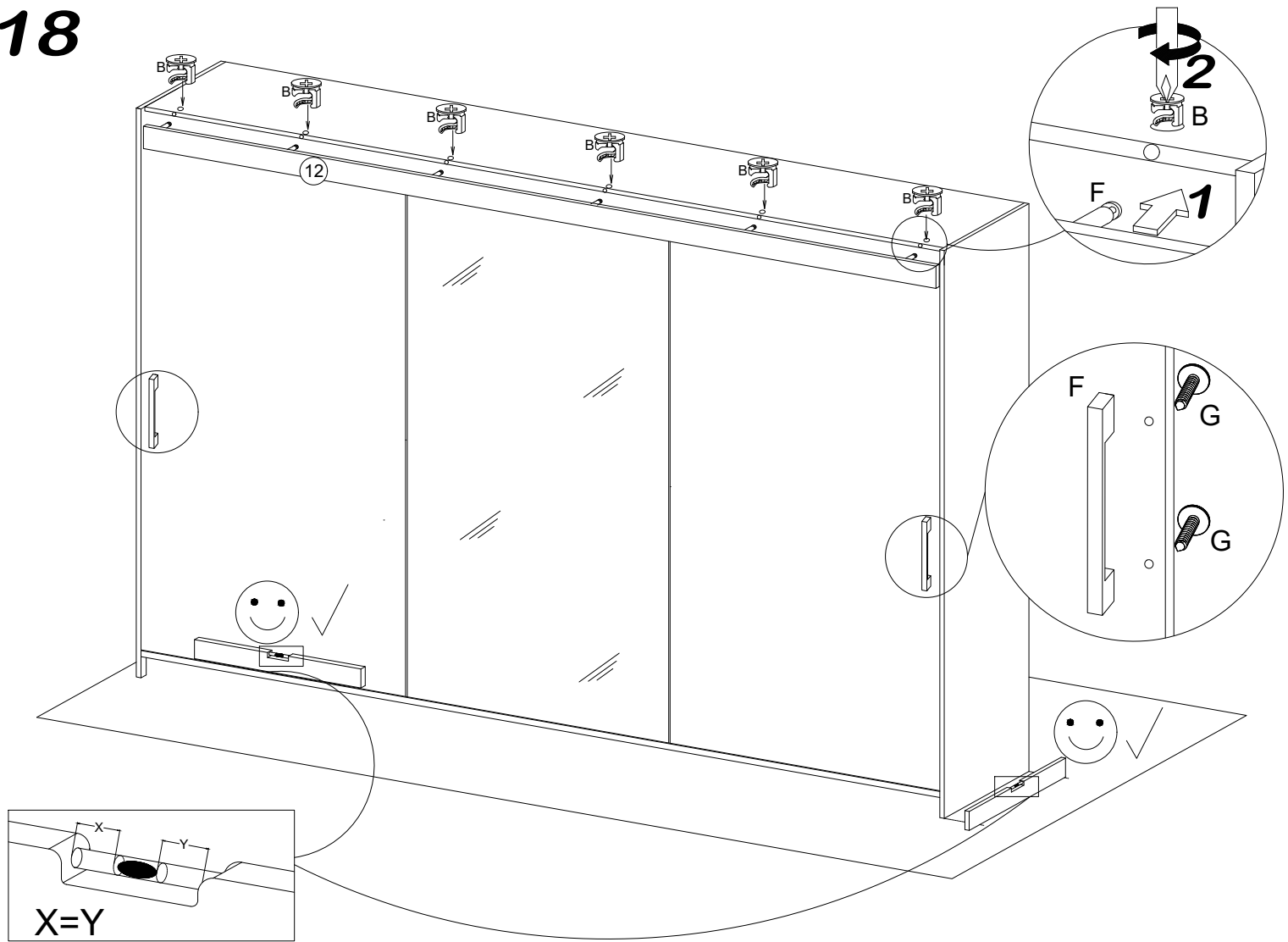




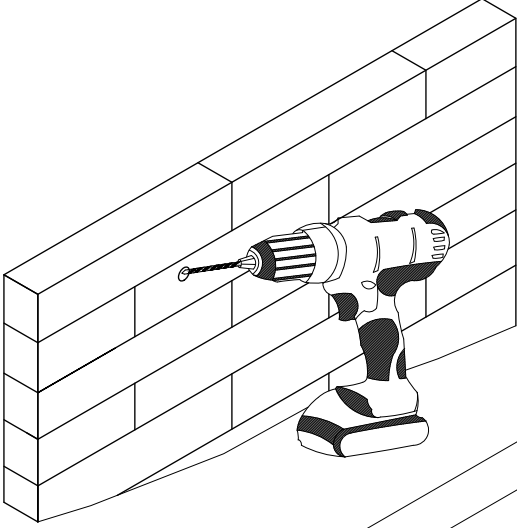
17


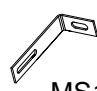


18

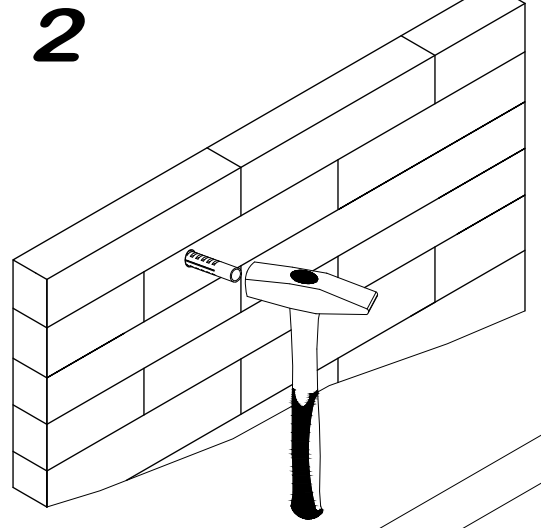


1

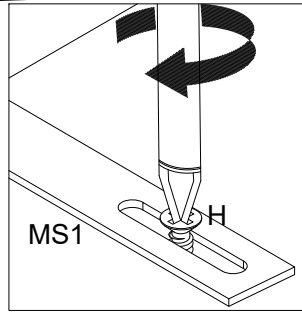
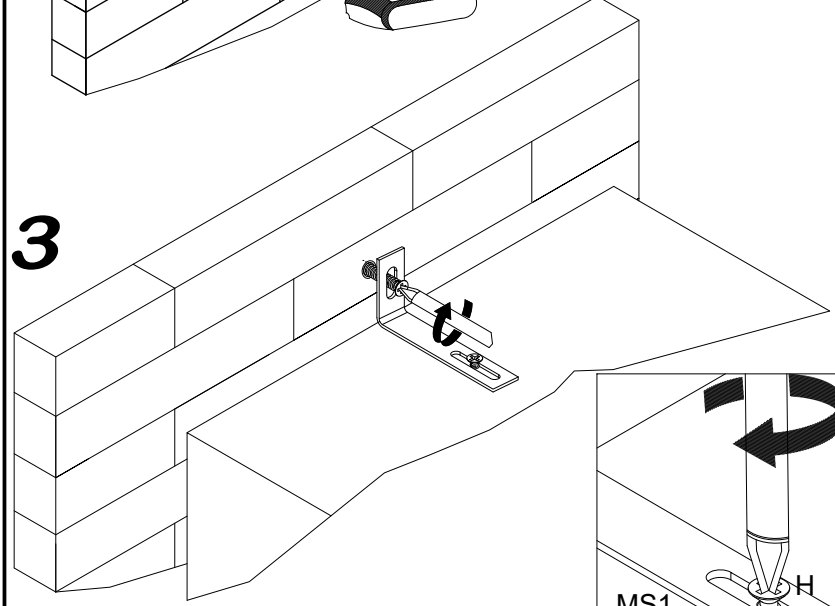


| | |
|---|--|
| 3.5x16 | |
|  |  |
| H | MS1 |
| 1 | 1 |

2



3



4

