





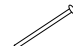

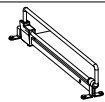
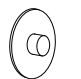

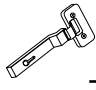





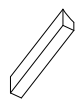
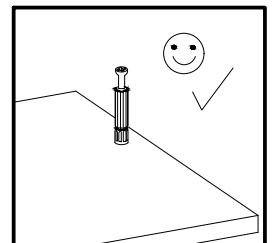
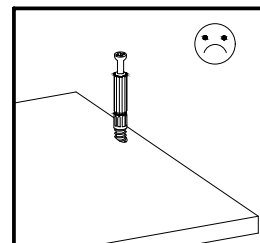
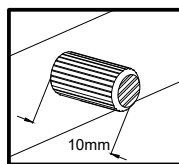
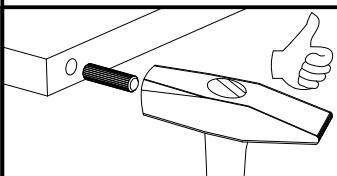
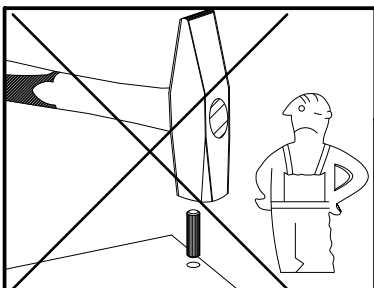
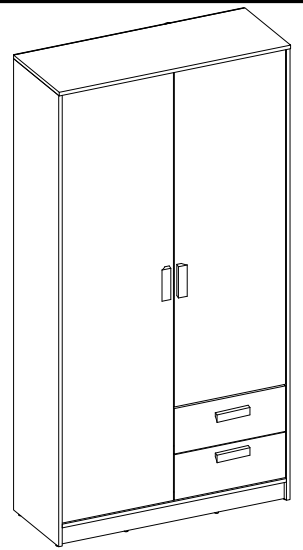
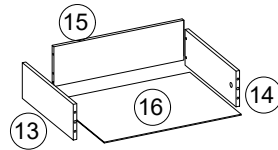
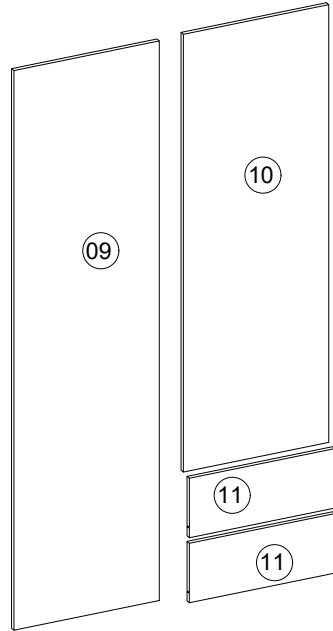
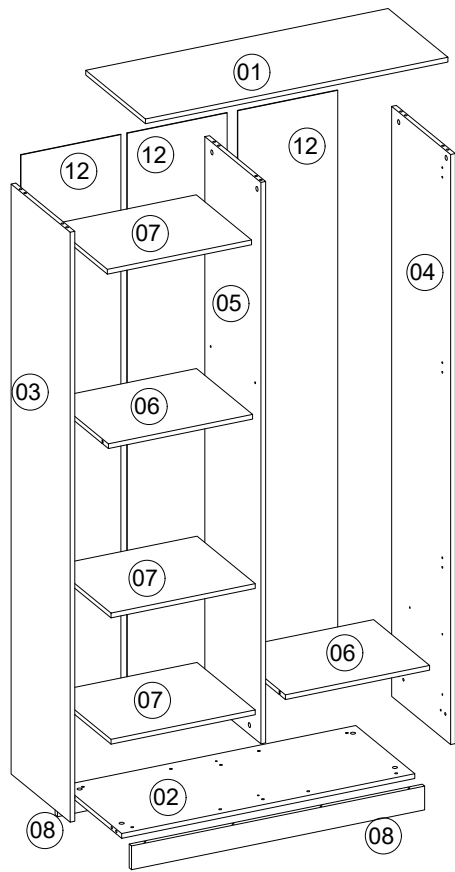
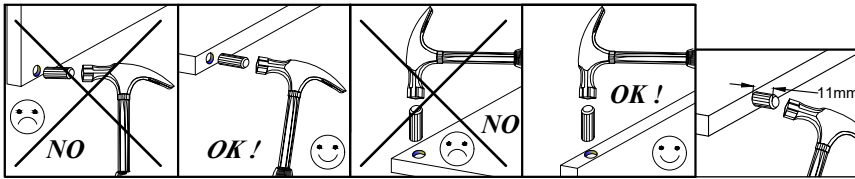


| | | | | | | | | |
|--|---|--|--|--|--|---|--|---|
| 8.0x35  D |  S3 |  A | Ø15x12  B | 3.5x16  H | 7.0x50  O |  S1 | 4.0x25  G |  WS |
| 28 | 12 | 20 | 20 | 36 | 8 | 65 | 8 | 1 |
|  X |  X1 |  Z |  L |  Q |  Y |  V |  J |  F |
| 20 | 8 | 6 | 6 | 1 | 8 | 8 | 8 | 4 |

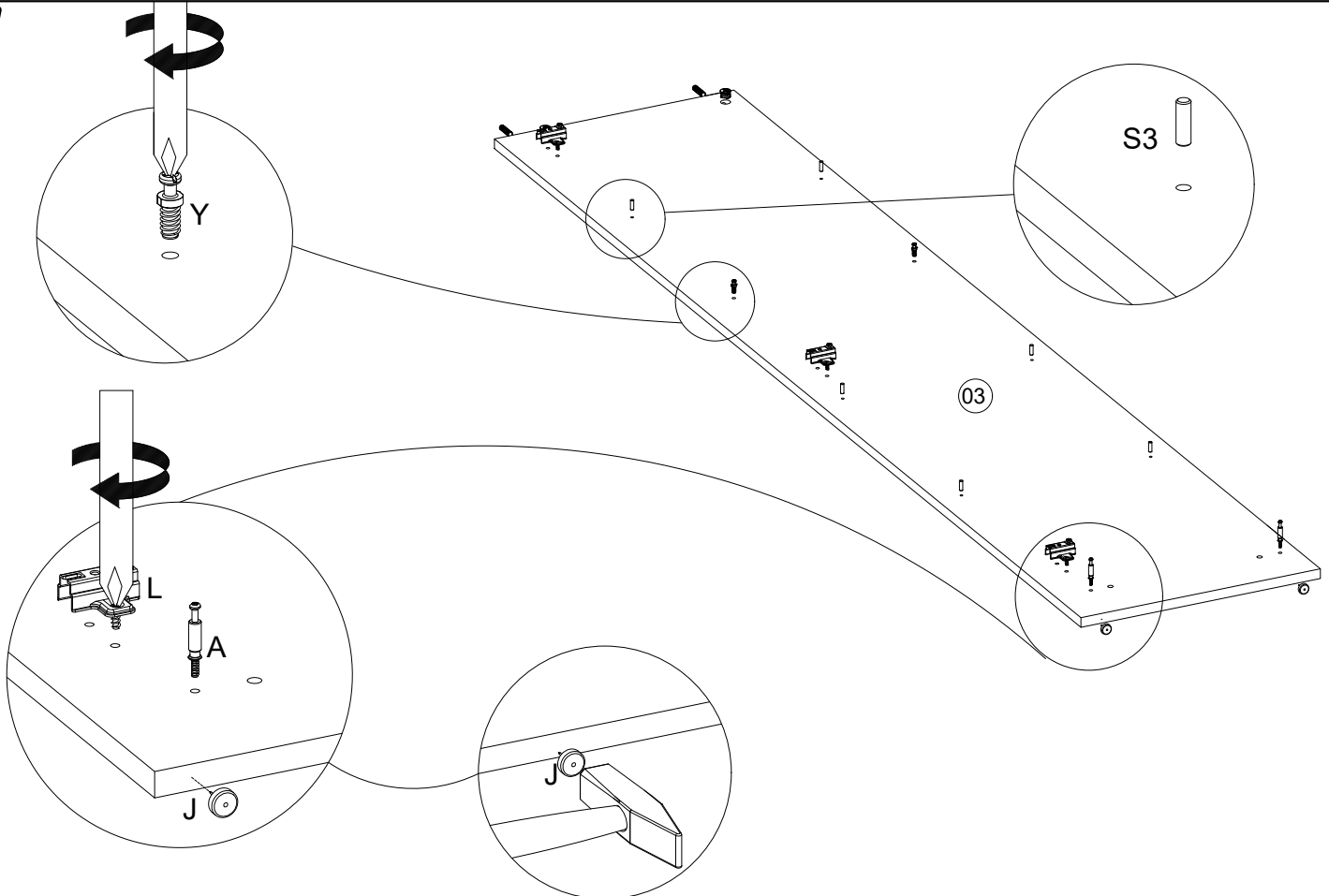




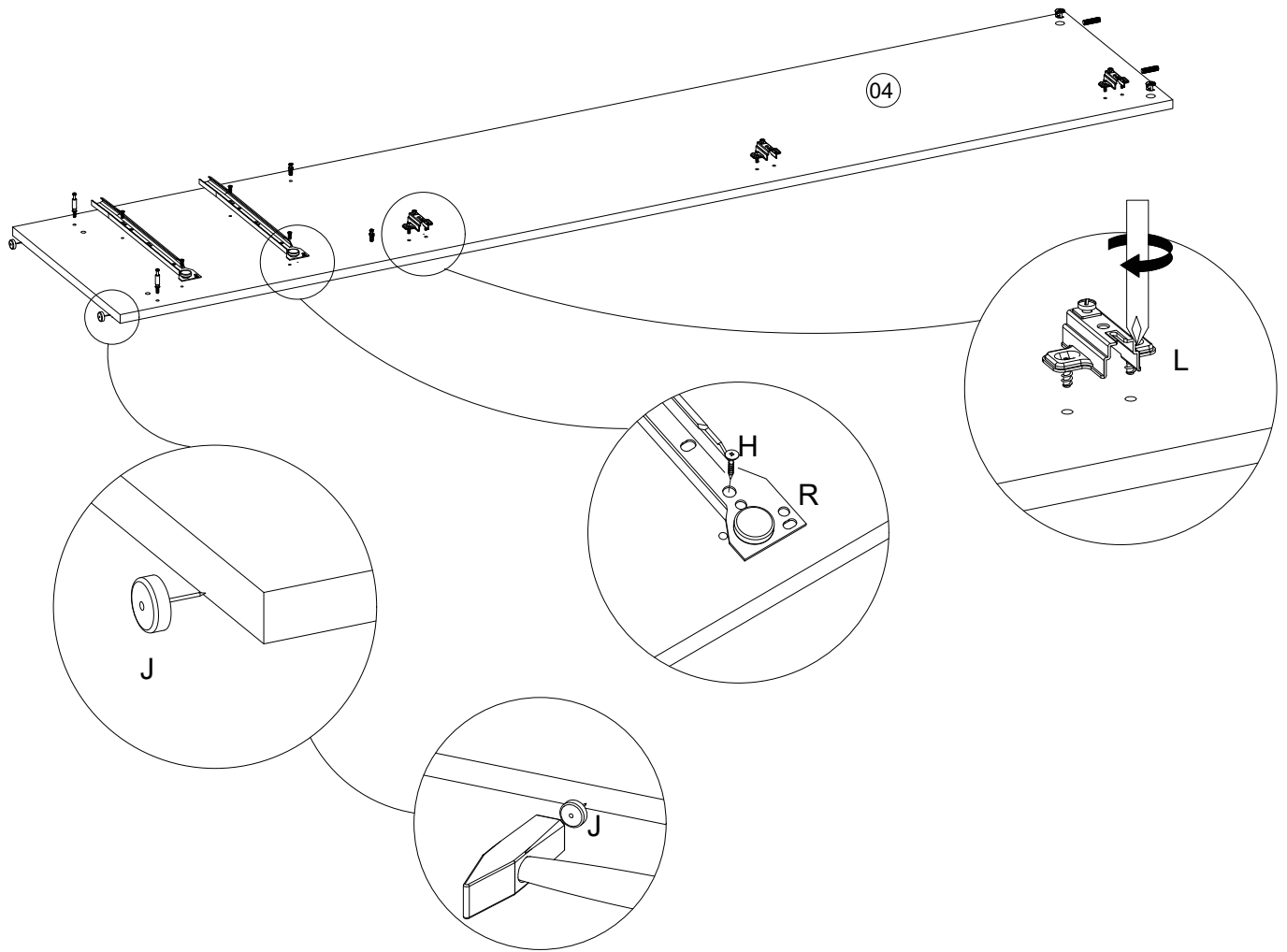
| No. | Pcs. | L | W | D |
|-----|------|------|-----|----|
| 1. | 1 | 1022 | 405 | 16 |
| 2. | 1 | 988 | 400 | 16 |
| 3. | 1 | 2000 | 400 | 16 |
| 4. | 1 | 2000 | 400 | 16 |
| 5. | 1 | 1904 | 400 | 16 |
| 6. | 2 | 486 | 380 | 16 |
| 7. | 3 | 486 | 380 | 16 |
| 8. | 2 | 988 | 80 | 16 |
| 9. | 1 | 1898 | 480 | 16 |
| 10. | 1 | 1492 | 480 | 3 |
| 11. | 2 | 480 | 200 | 16 |
| 12. | 3 | 1930 | 338 | 3 |
| 13. | 2 | 350 | 140 | 16 |
| 14. | 2 | 350 | 140 | 16 |
| 15. | 2 | 429 | 140 | 16 |
| 16. | 2 | 355 | 460 | 3 |



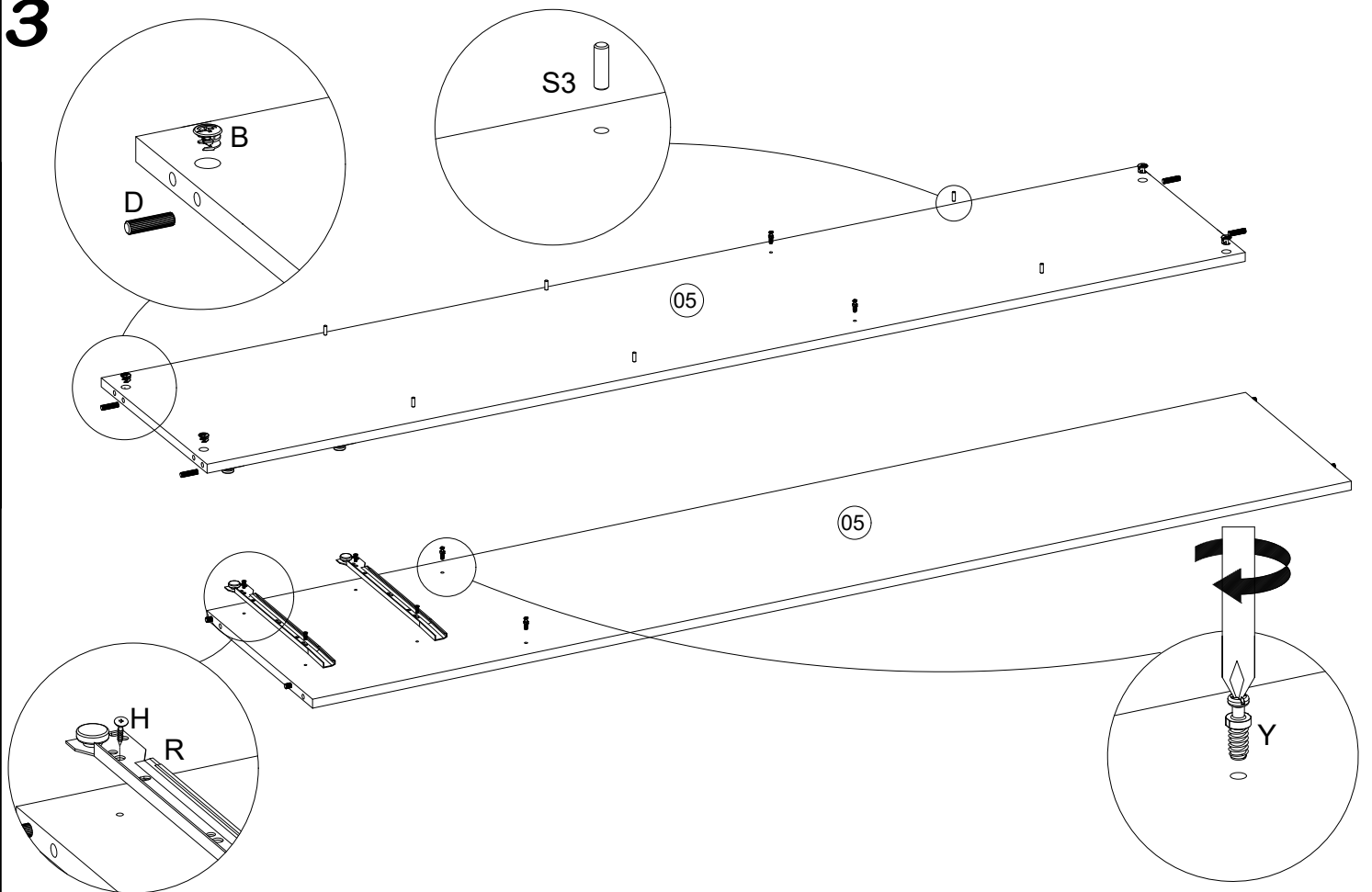
1



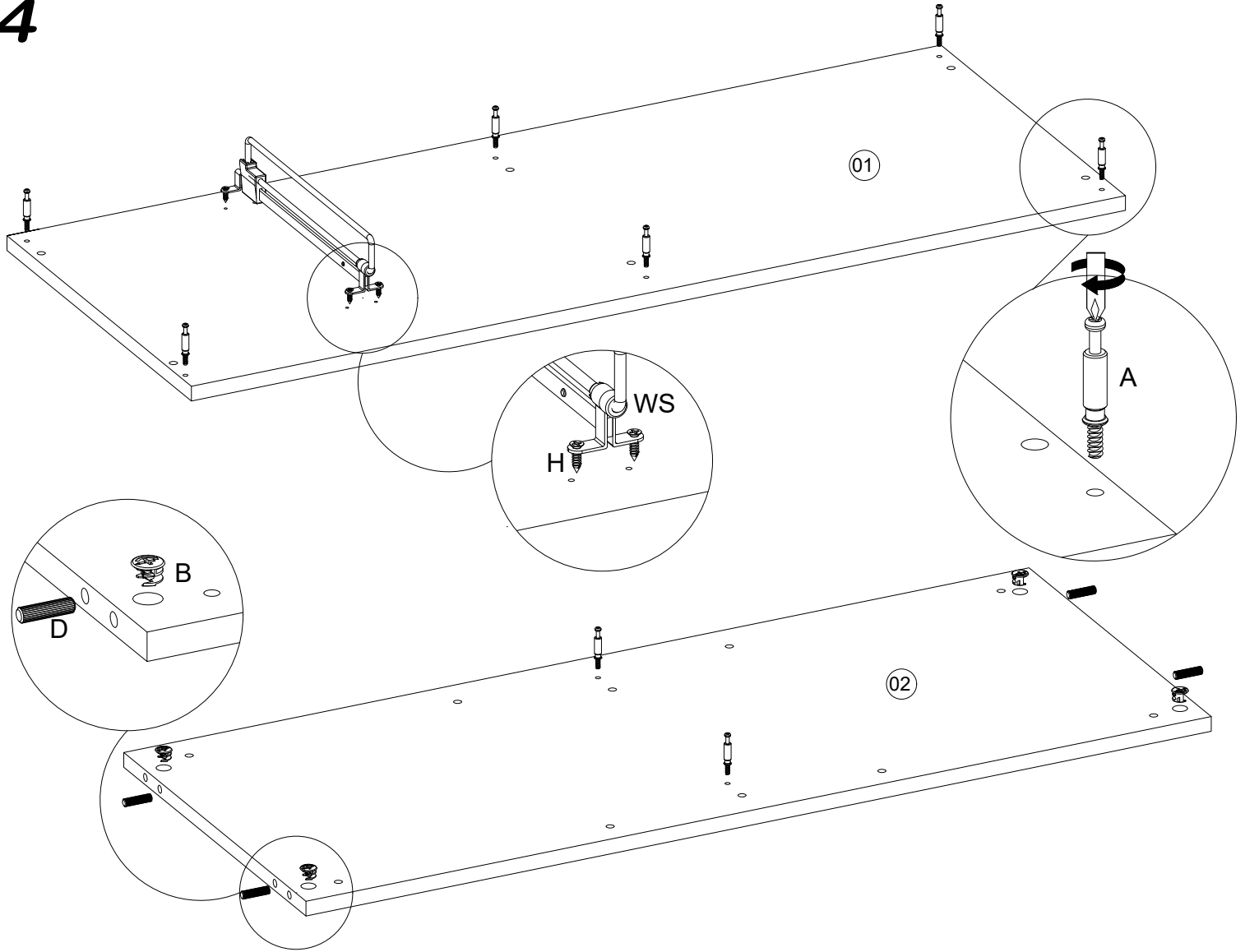
2



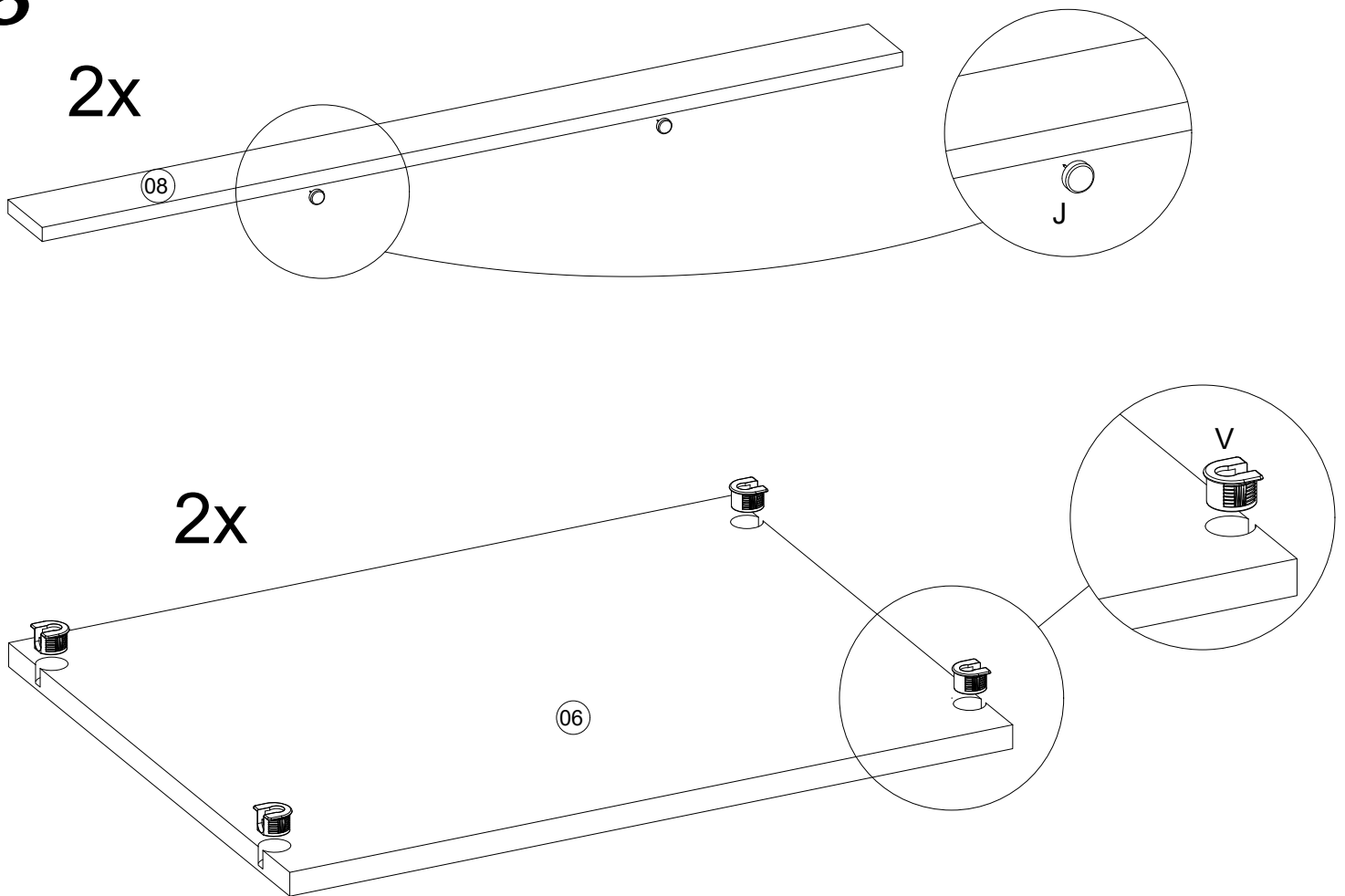
3



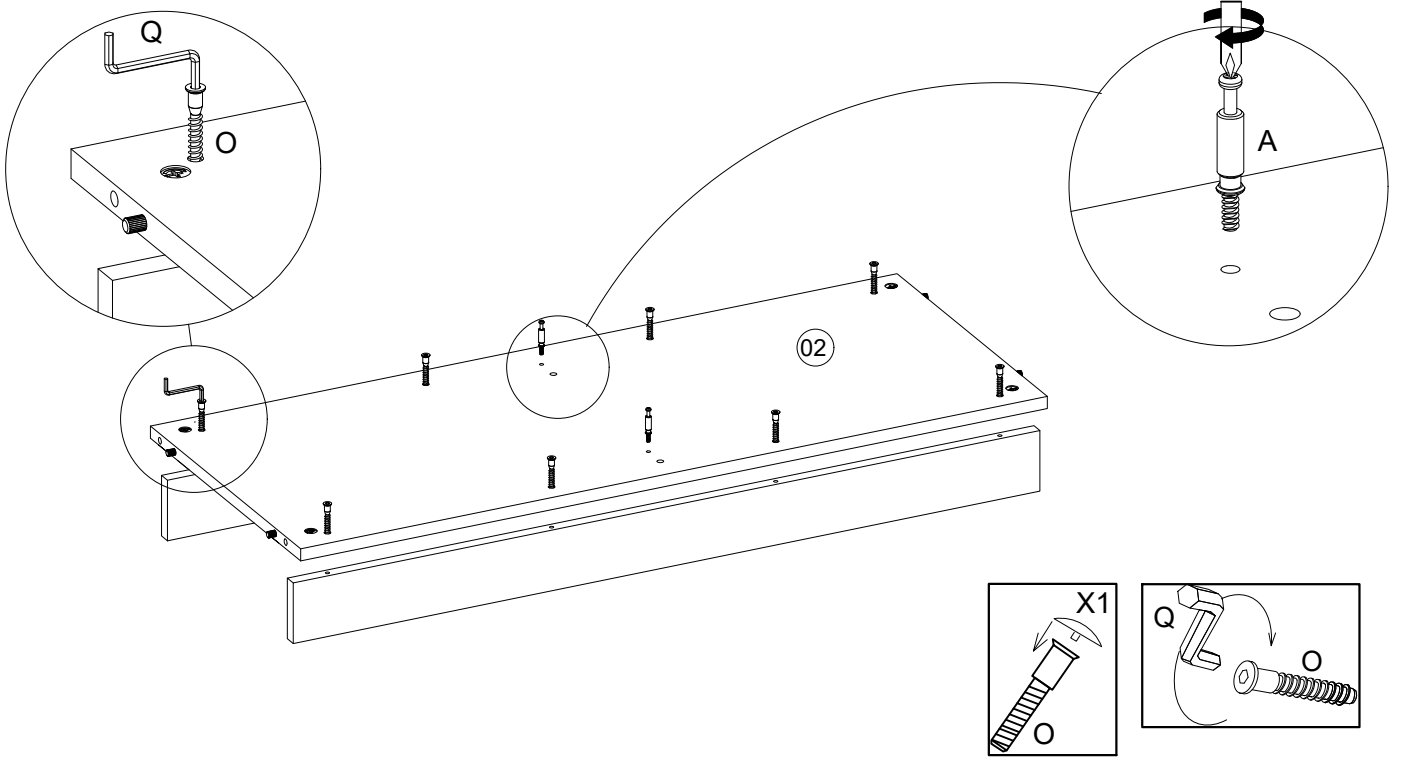
4



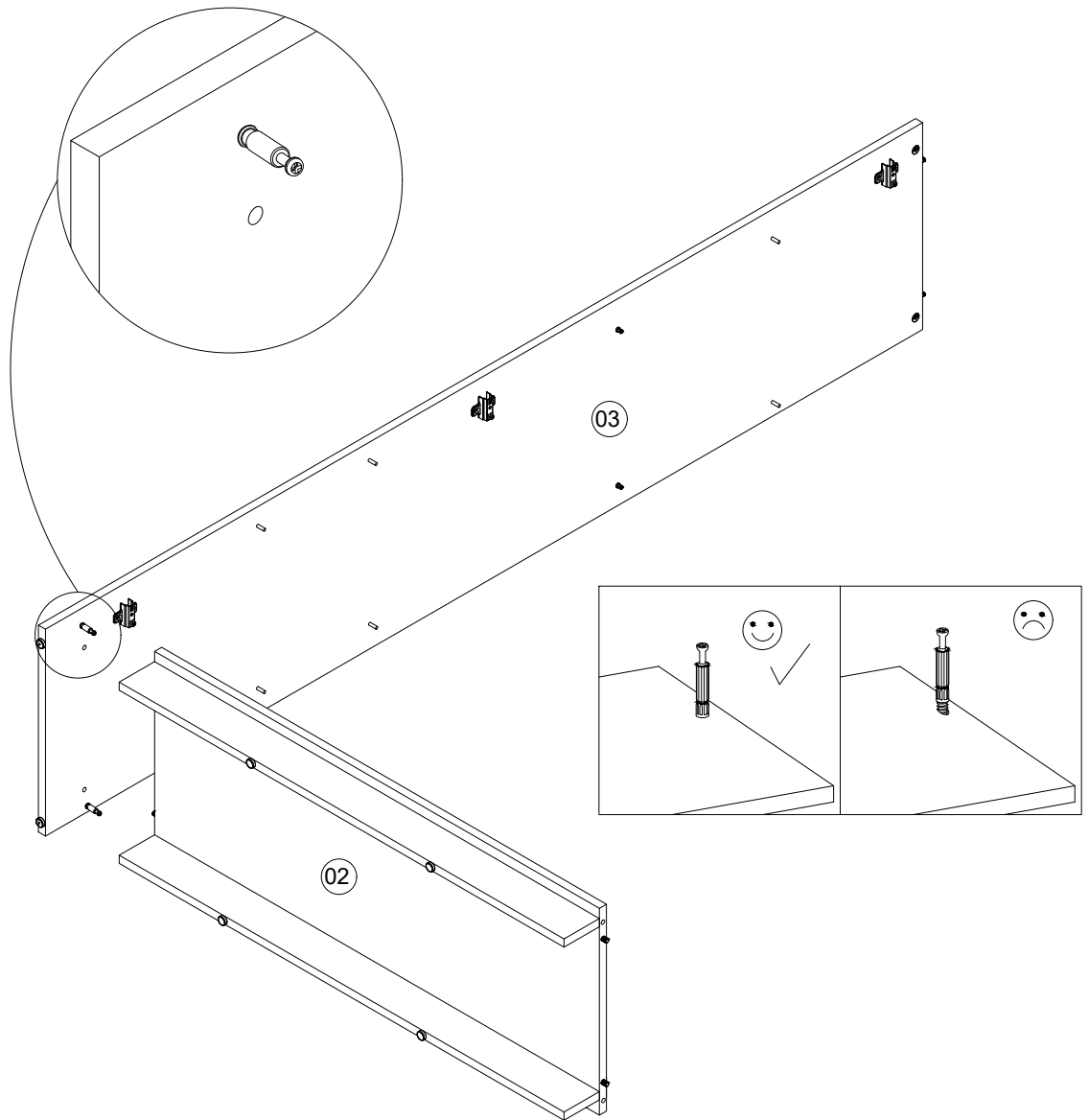
5



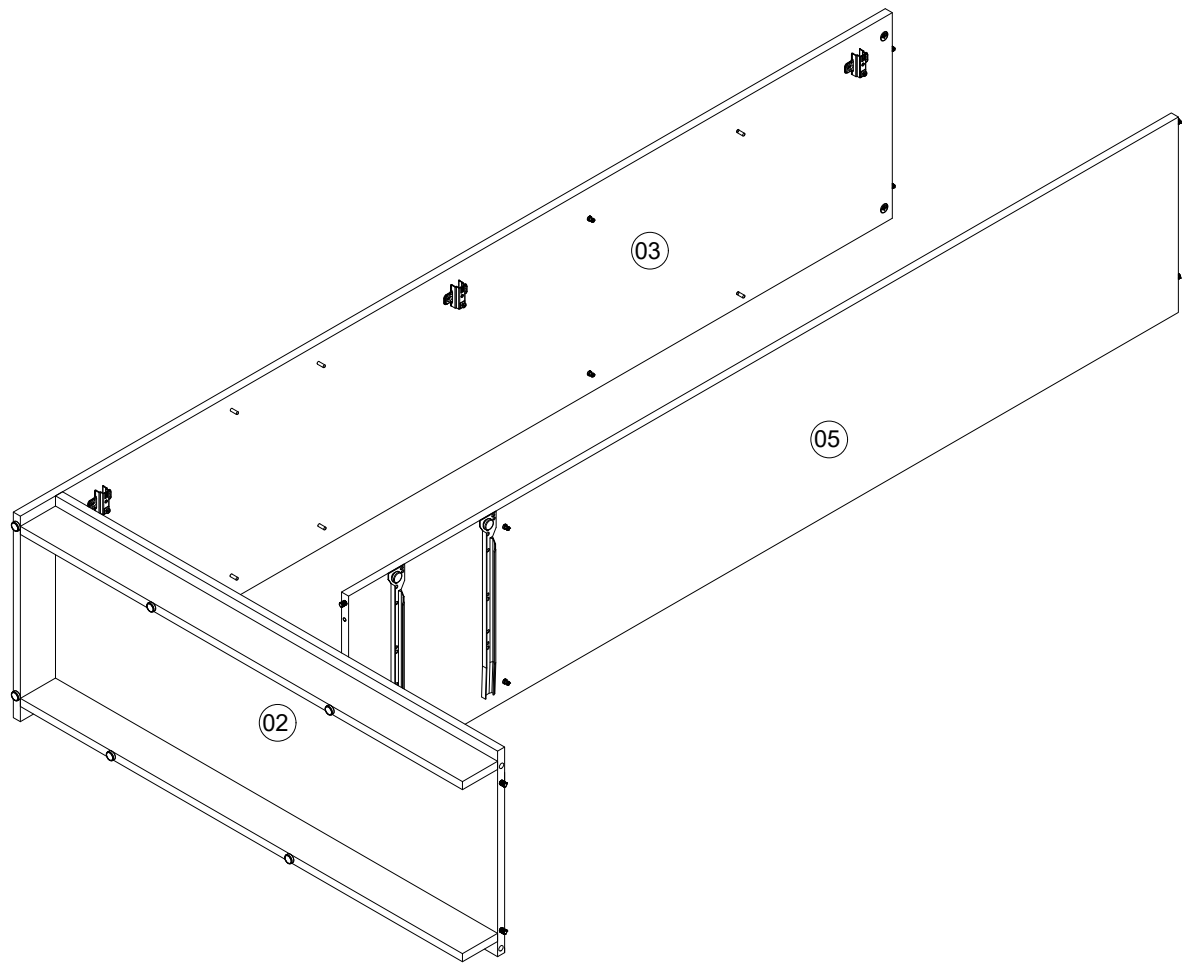
6



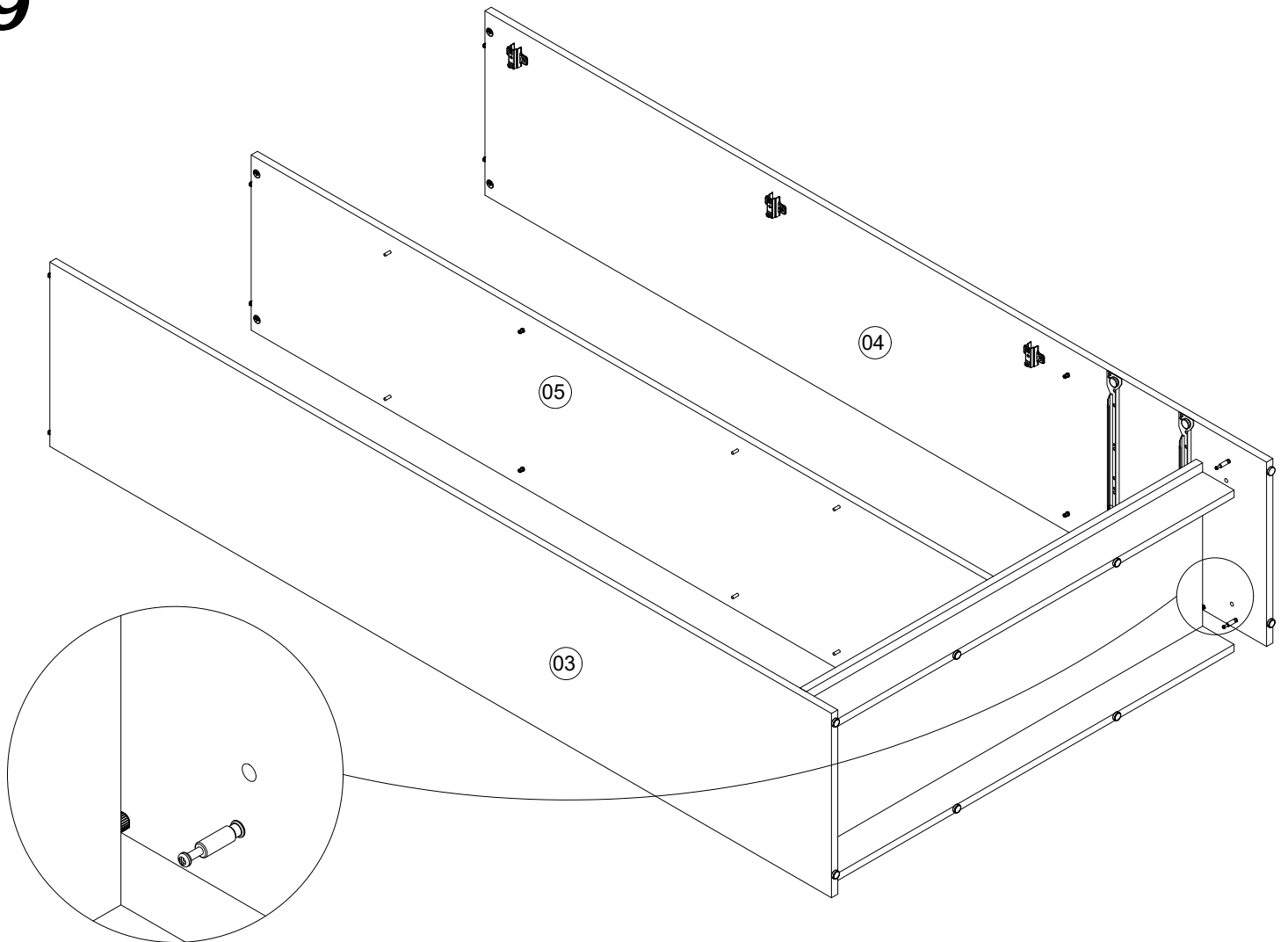
7



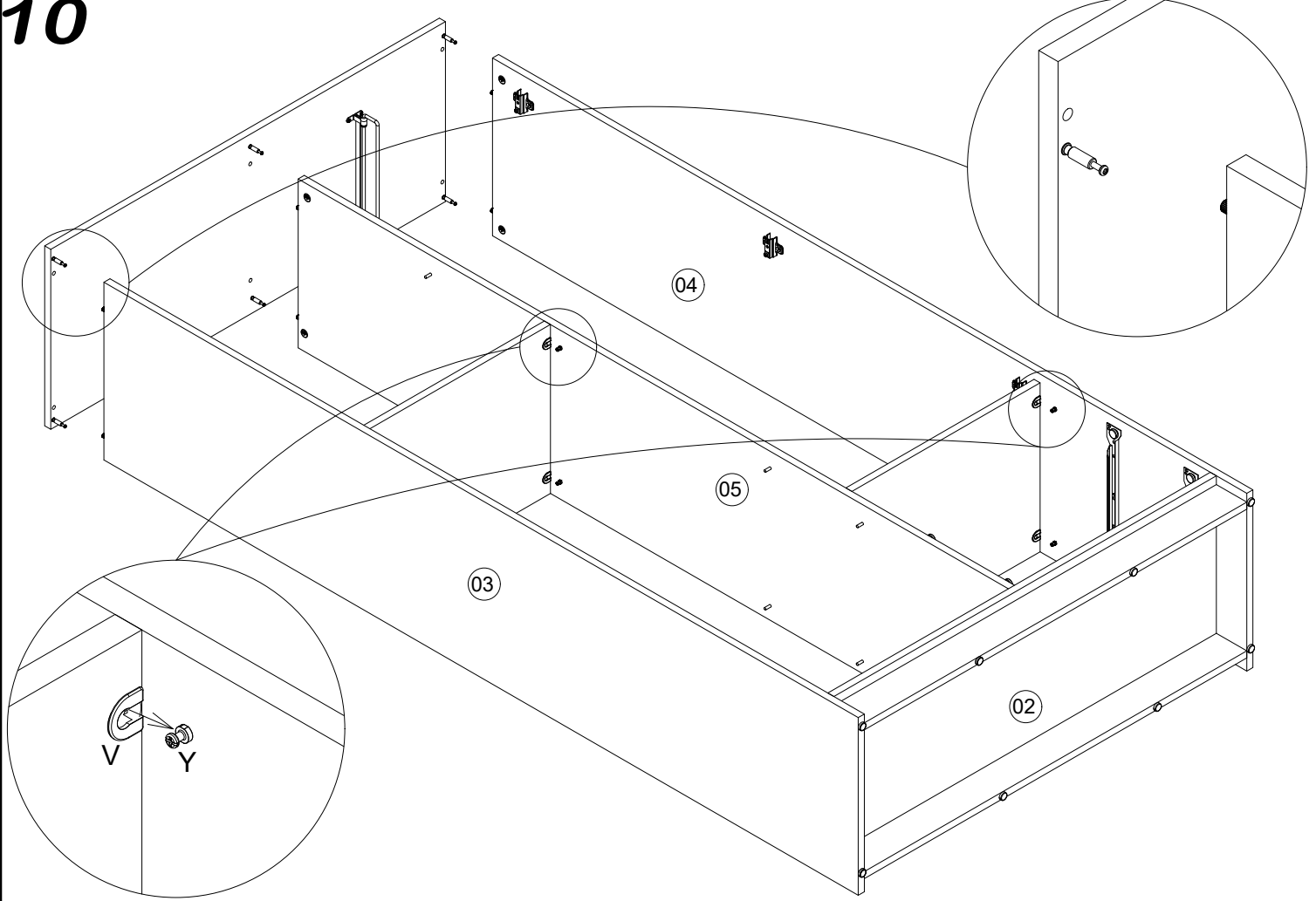
8



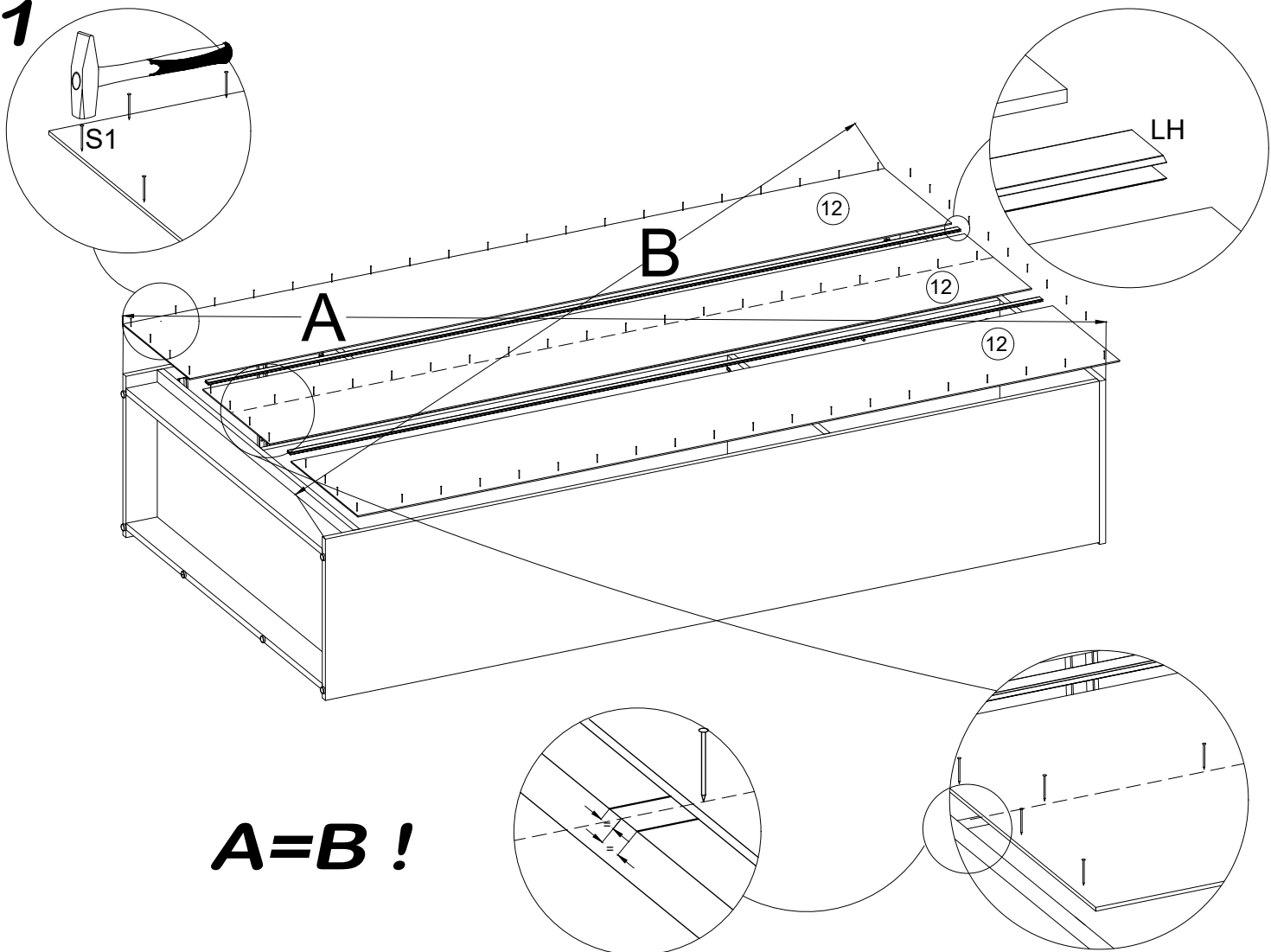
9



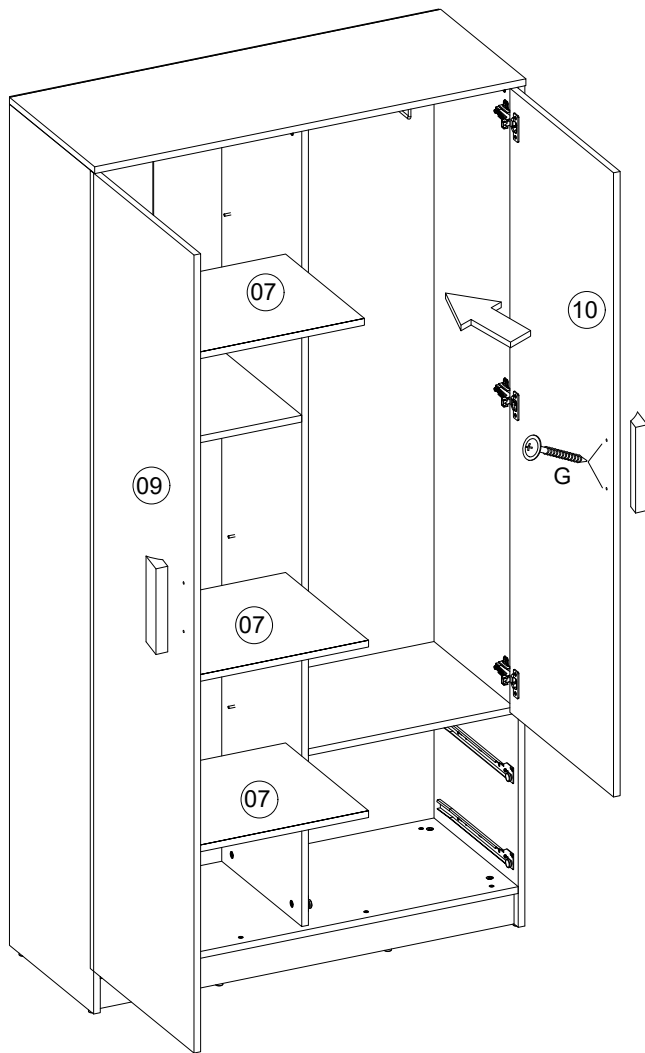
10



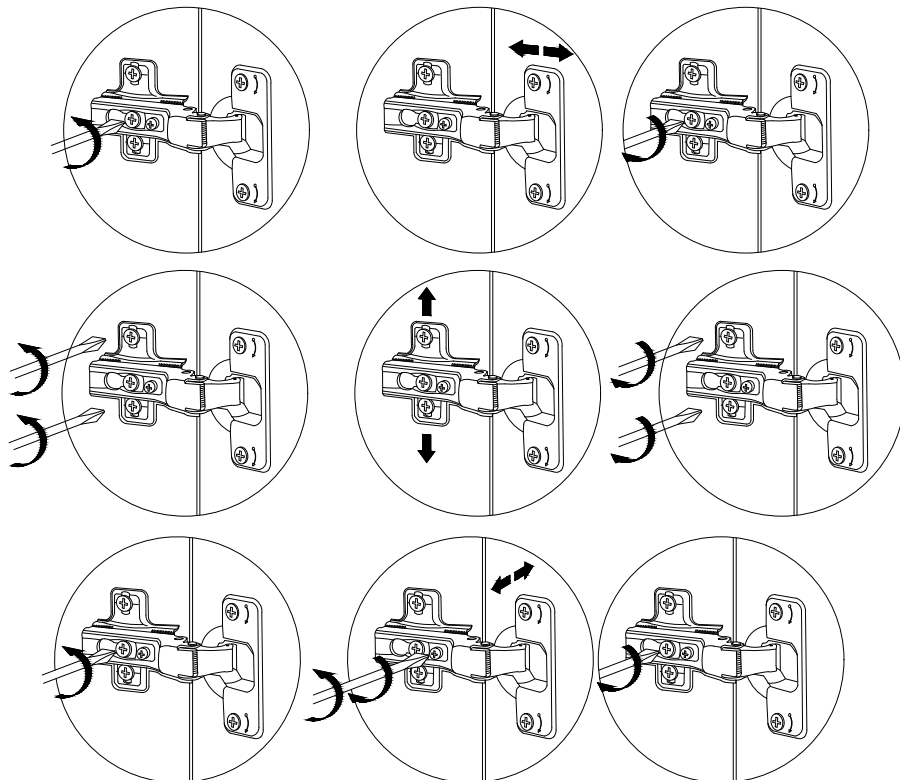
11



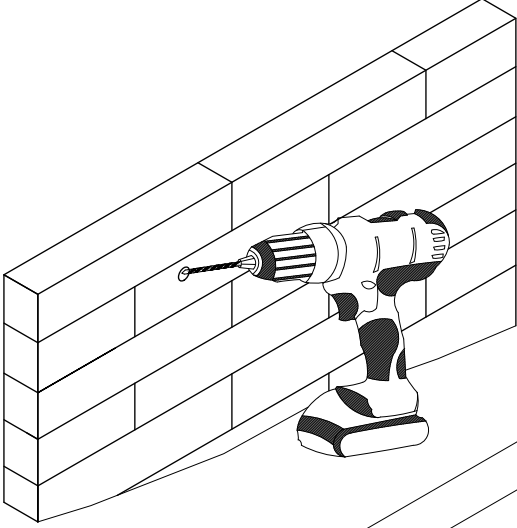
12





13

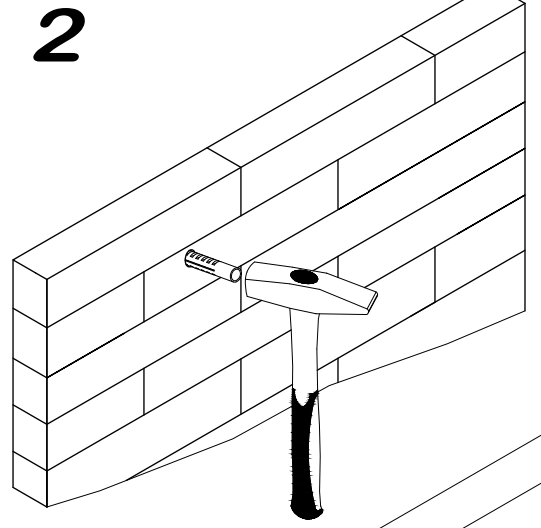


1

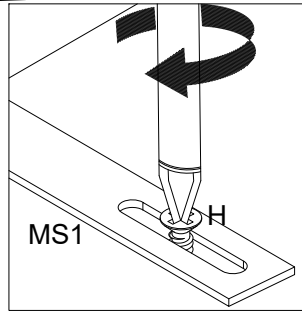
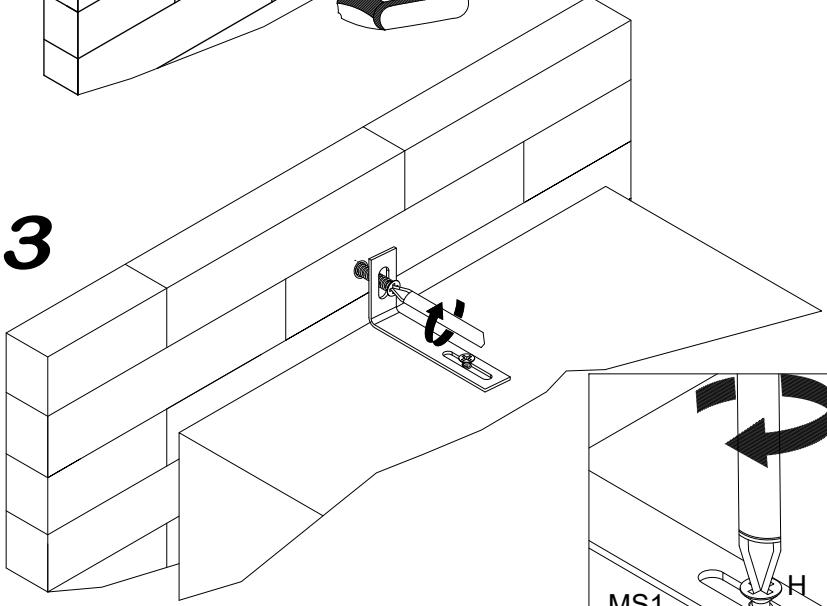


| | |
|--|--|
| 3.5x16 | |
|  |  |
| H | MS1 |
| 1 | 1 |

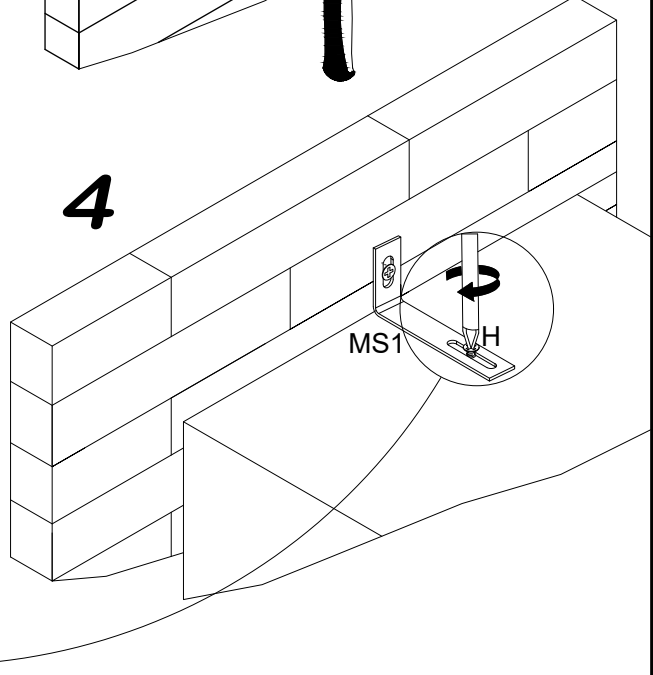
2

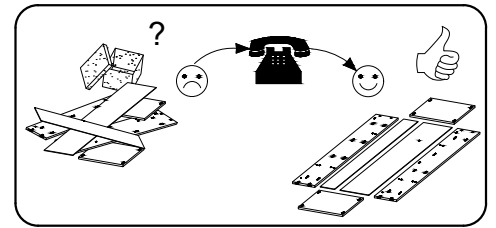
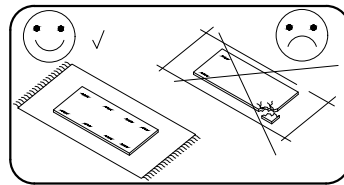
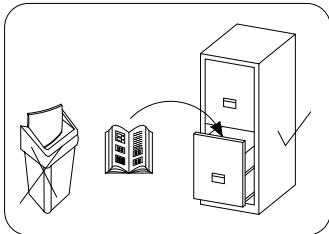
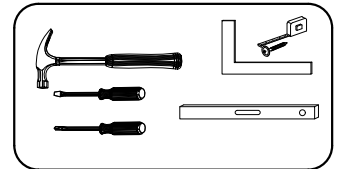
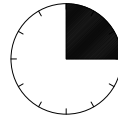
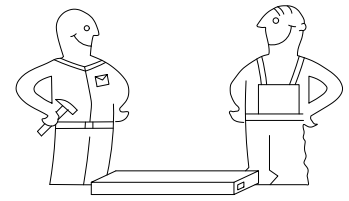


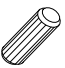







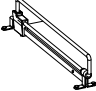
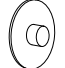

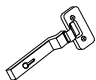





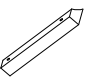
3

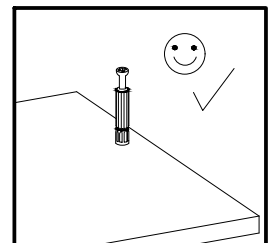
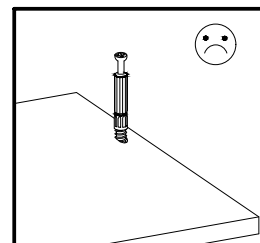
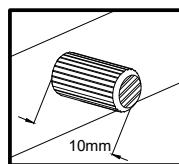
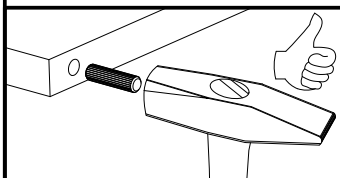
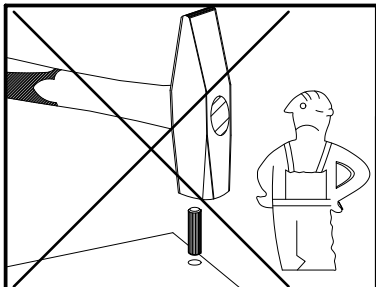


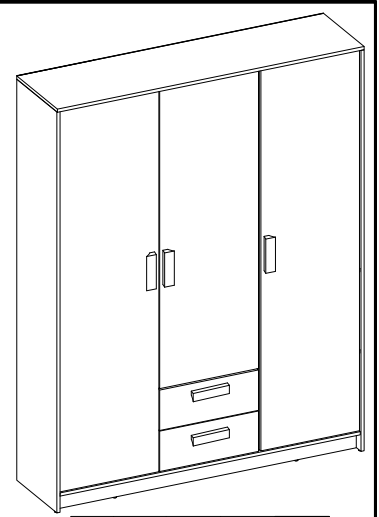
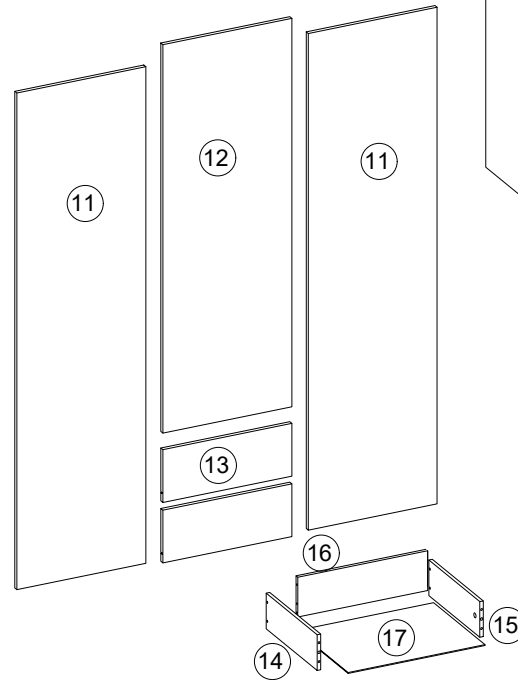
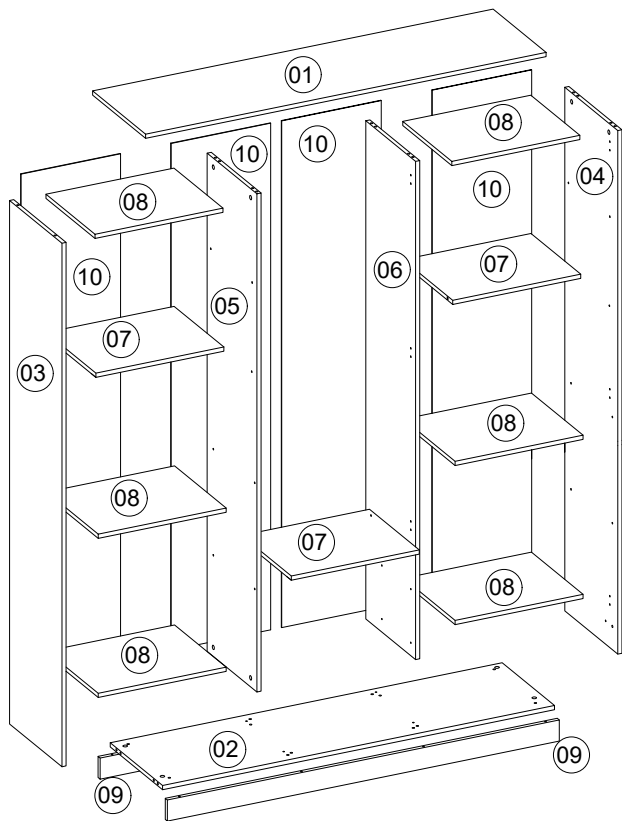
4



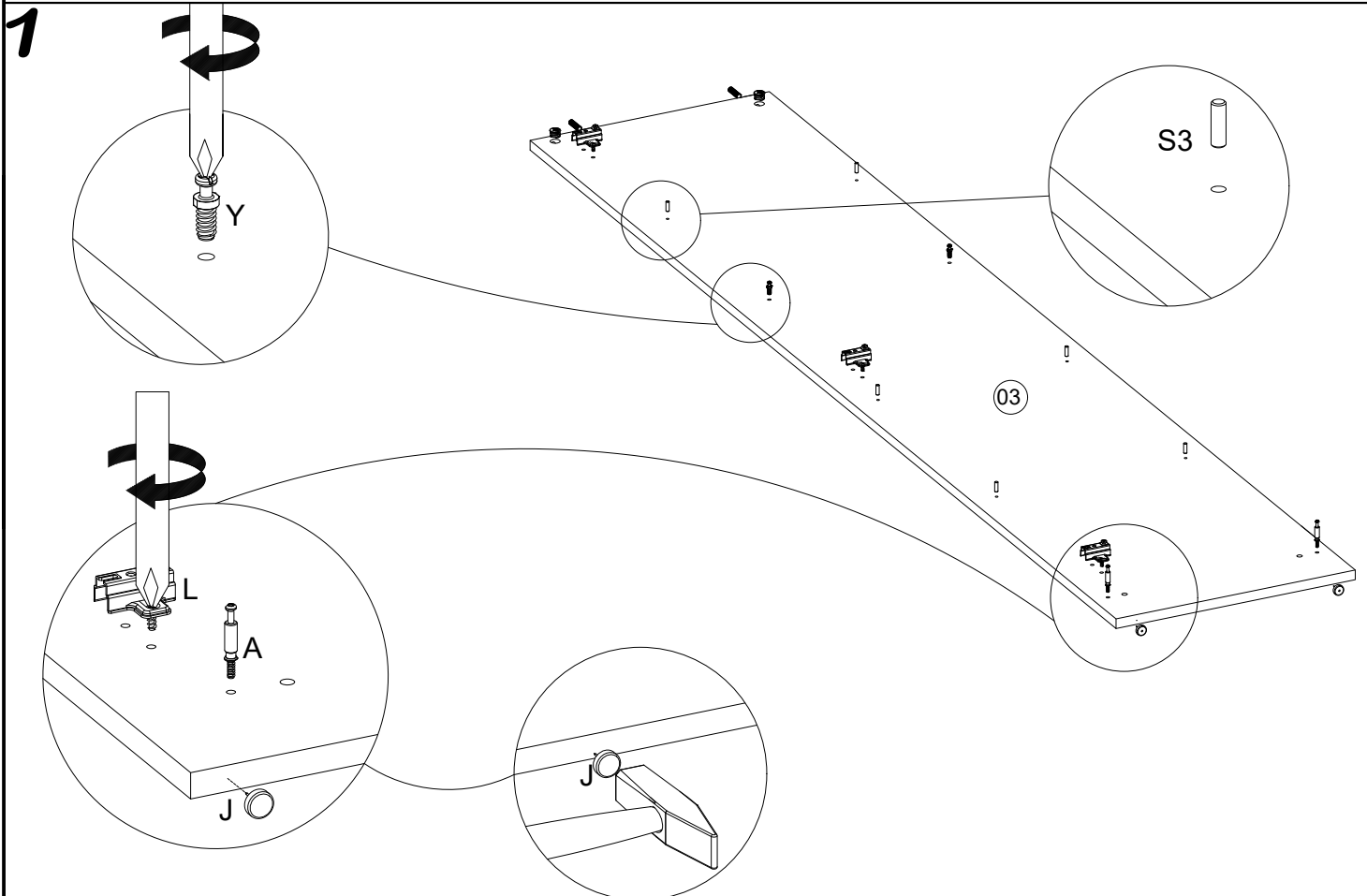
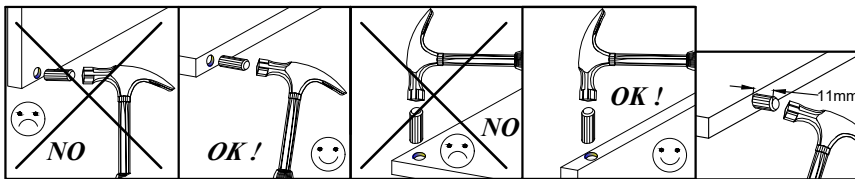


| | | | | | | | | |
|--|---|--|--|--|--|---|--|---|
| 8.0x35  D |  S3 |  A | Ø15x12  B | 3.5x16  H | 7.0X50  O |  S1 | 4.0x25  G |  WS |
| 32 | 24 | 24 | 24 | 46 | 8 | 90 | 10 | 1 |
|  X |  X1 |  Z |  L |  Q |  Y |  V |  J |  F |
| 24 | 8 | 9 | 9 | 1 | 12 | 12 | 8 | 5 |

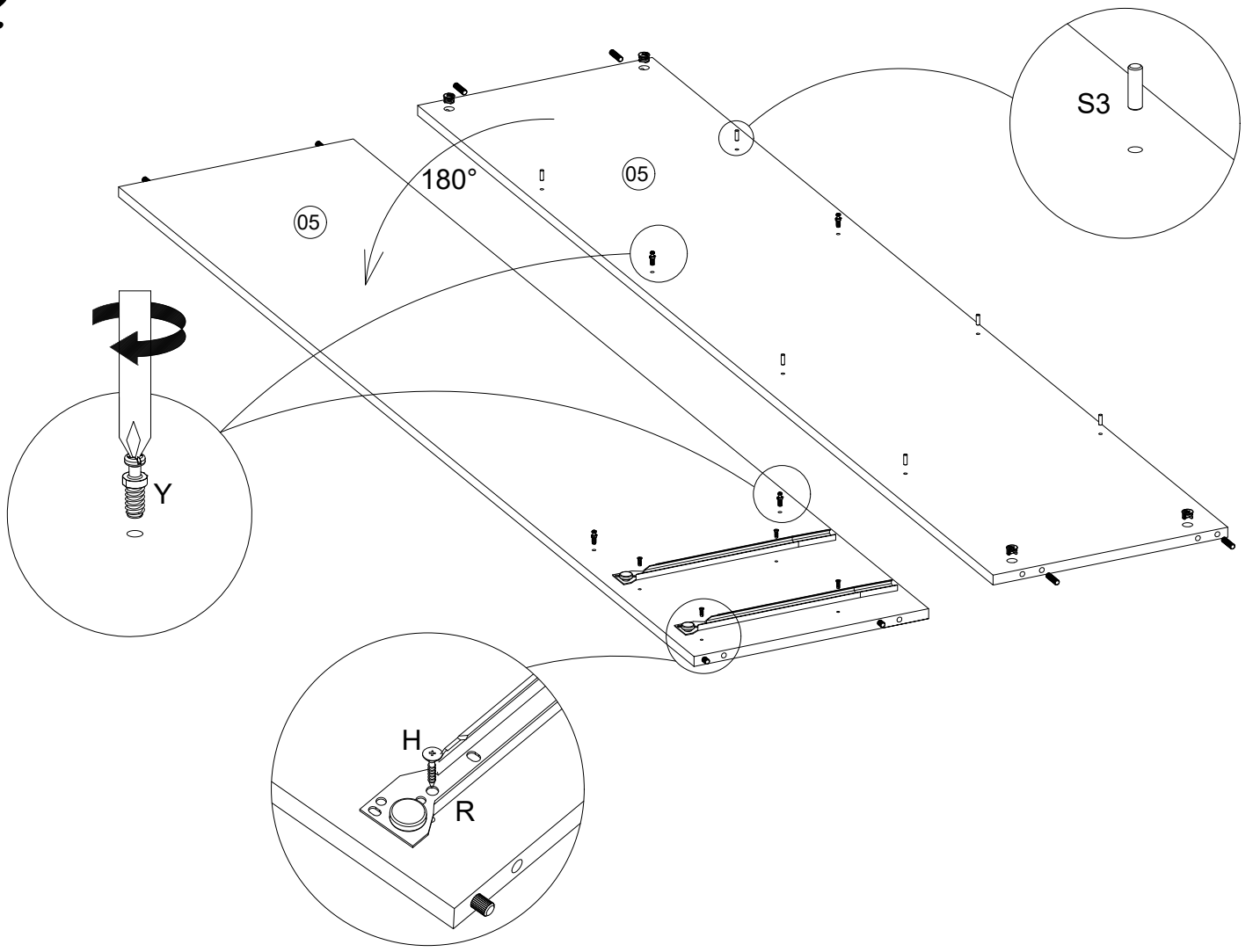




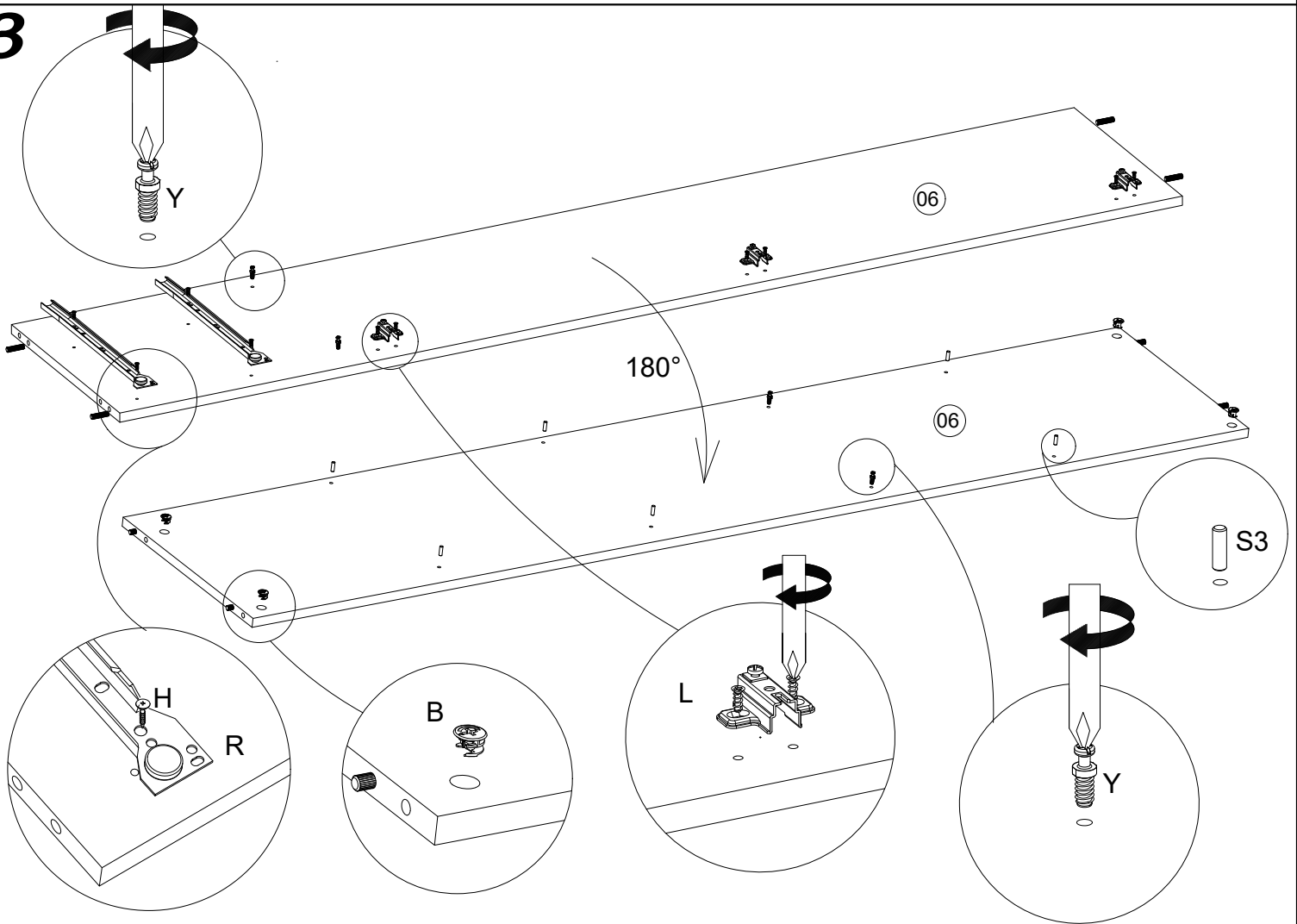
| No. | Pcs. | L | W | D |
|-----|------|------|-----|----|
| 1. | 1 | 1524 | 405 | 16 |
| 2. | 1 | 1490 | 400 | 16 |
| 3. | 1 | 2000 | 400 | 16 |
| 4. | 1 | 2000 | 400 | 16 |
| 5. | 1 | 1904 | 400 | 16 |
| 6. | 1 | 1904 | 400 | 16 |
| 7. | 3 | 486 | 380 | 16 |
| 8. | 6 | 486 | 380 | 16 |
| 9. | 2 | 1490 | 80 | 16 |
| 10. | 4 | 1930 | 378 | 3 |
| 11. | 2 | 1898 | 480 | 16 |
| 12. | 1 | 1492 | 480 | 16 |
| 13. | 2 | 480 | 200 | 16 |
| 14. | 2 | 350 | 140 | 16 |
| 15. | 4 | 350 | 140 | 16 |
| 16. | 2 | 429 | 140 | 16 |
| 17. | 2 | 355 | 460 | 3 |



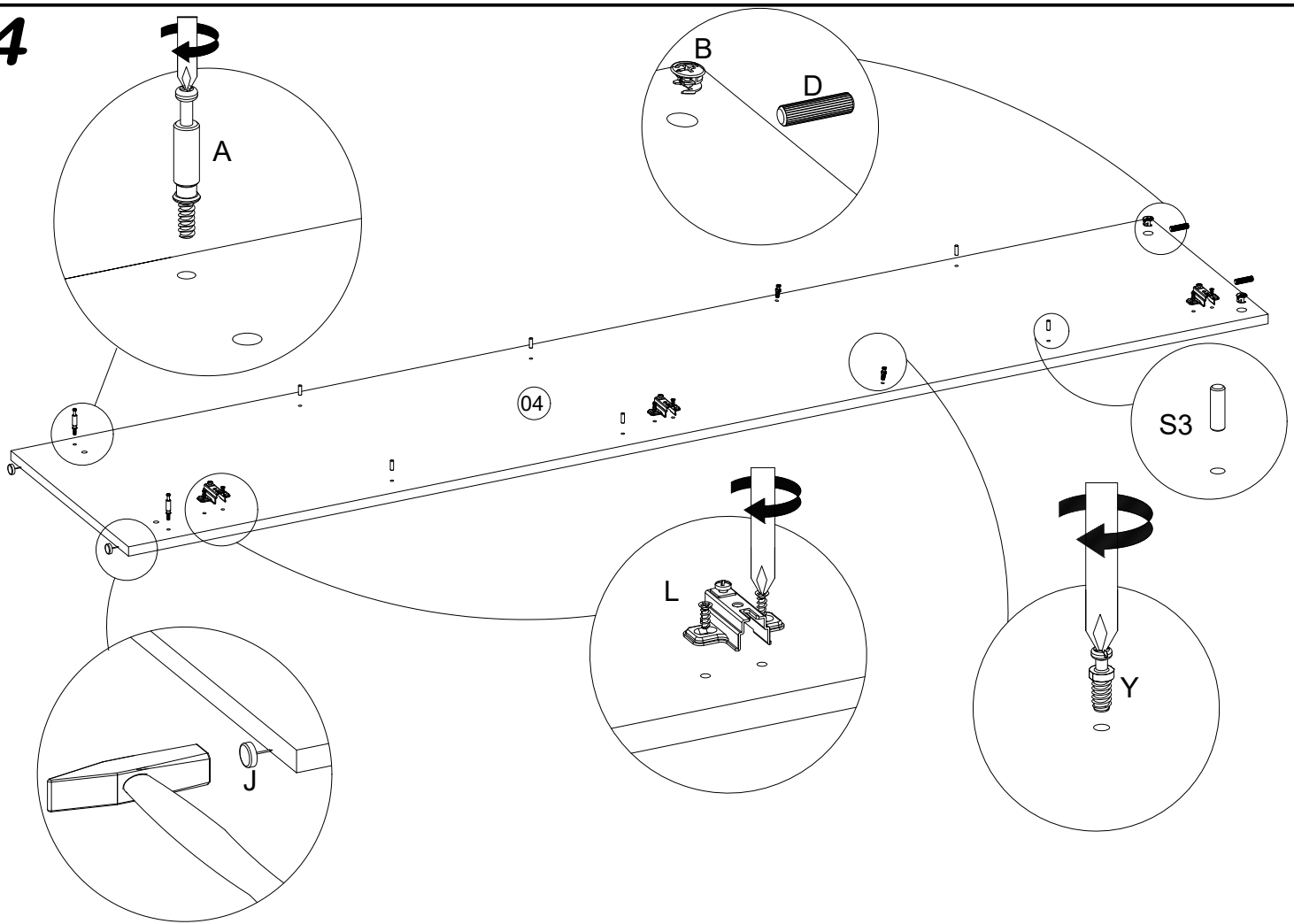
2



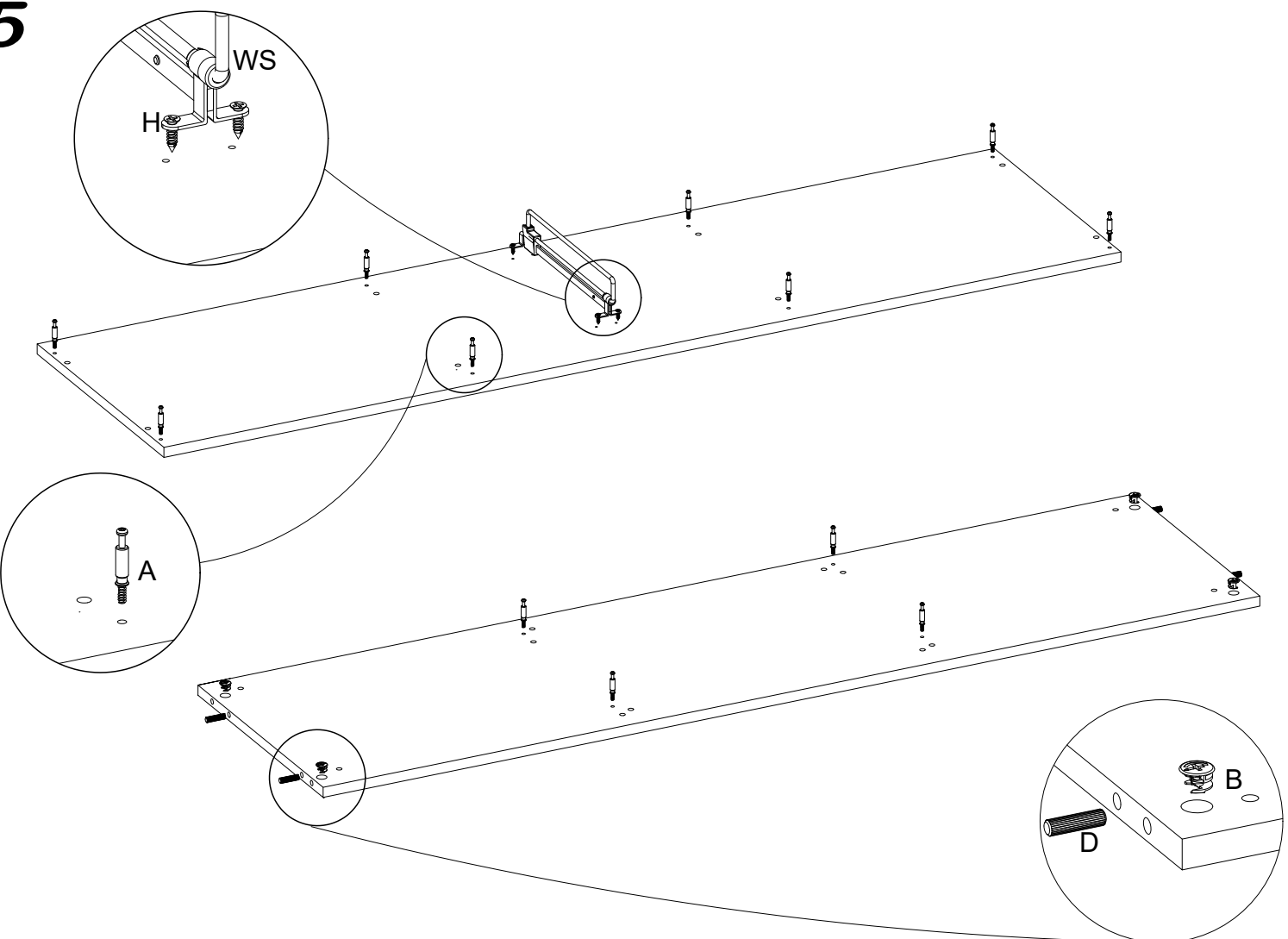
3



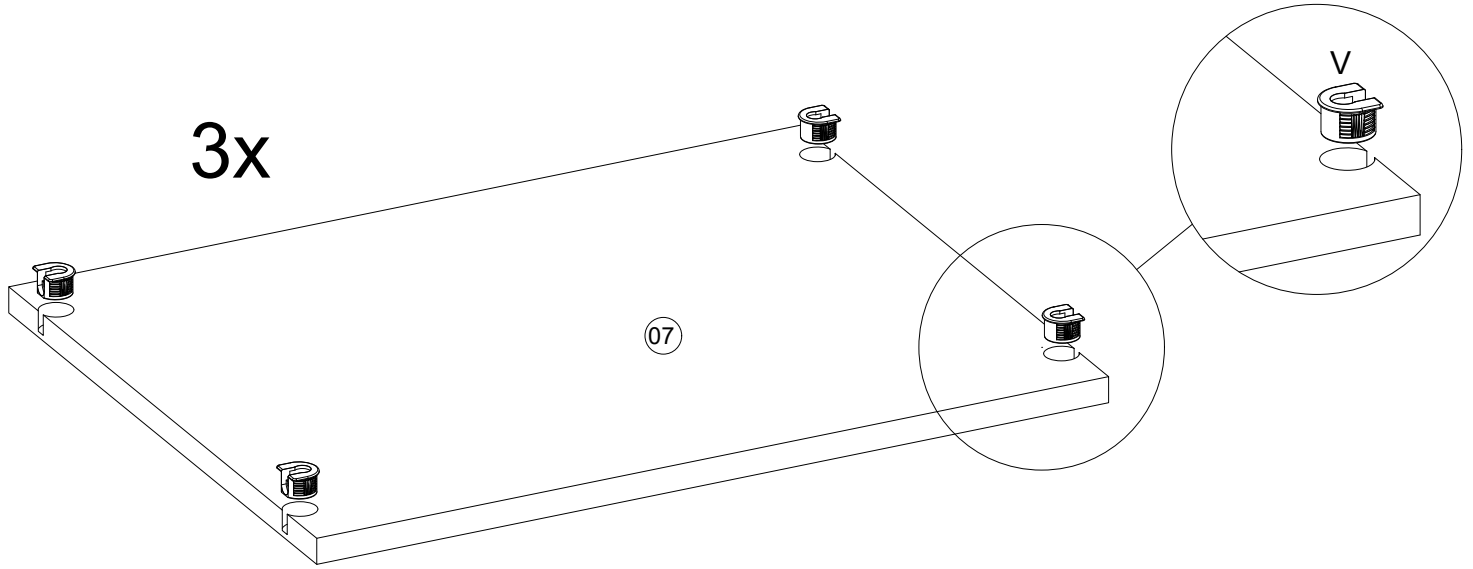
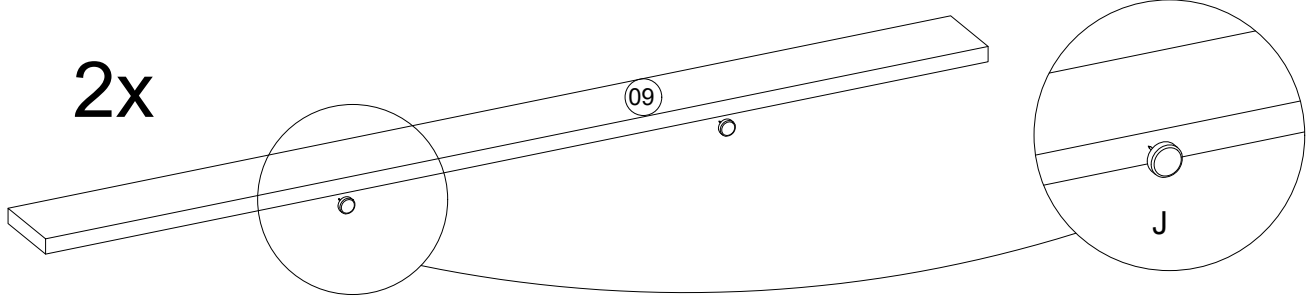
4



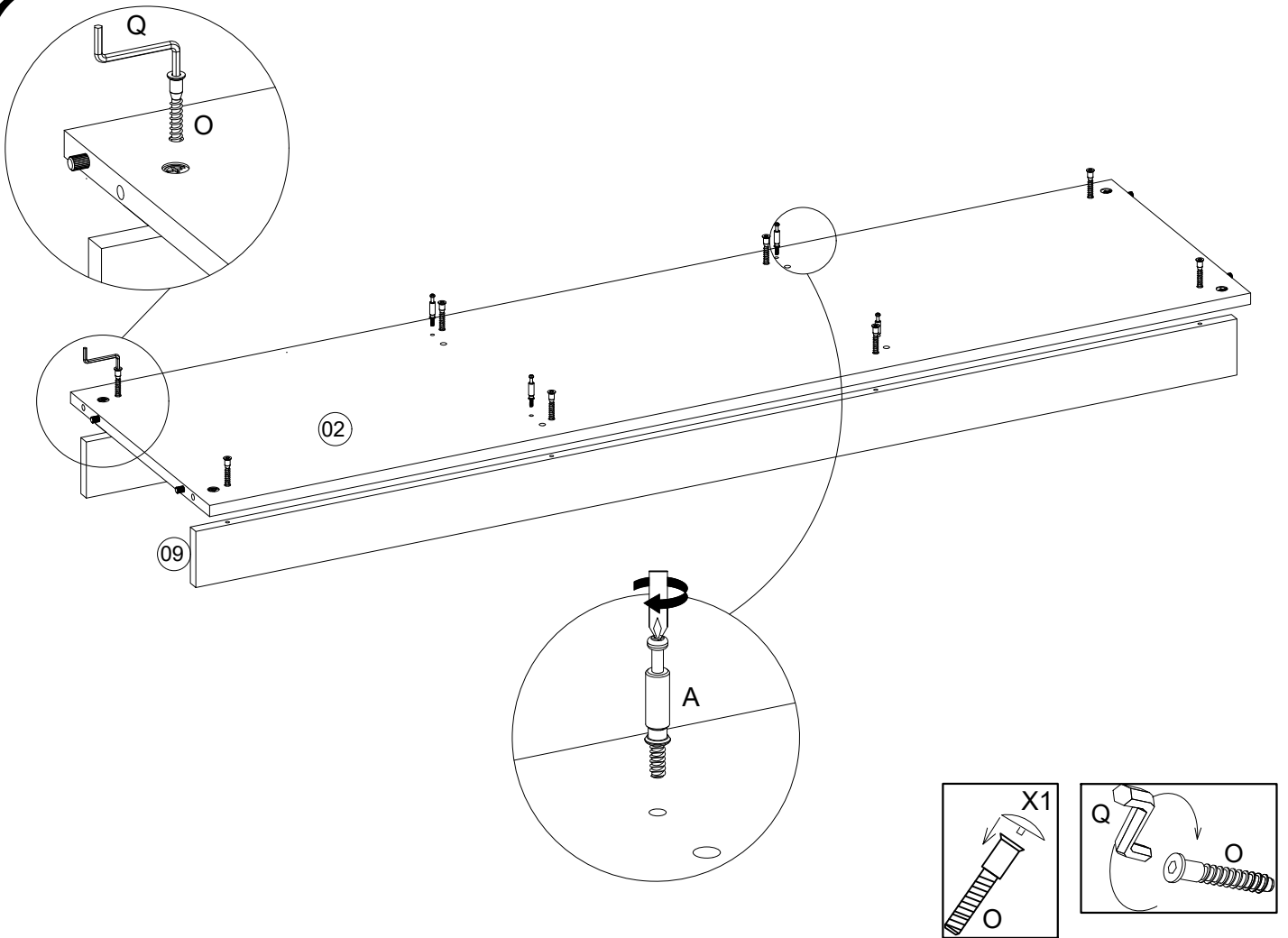
5



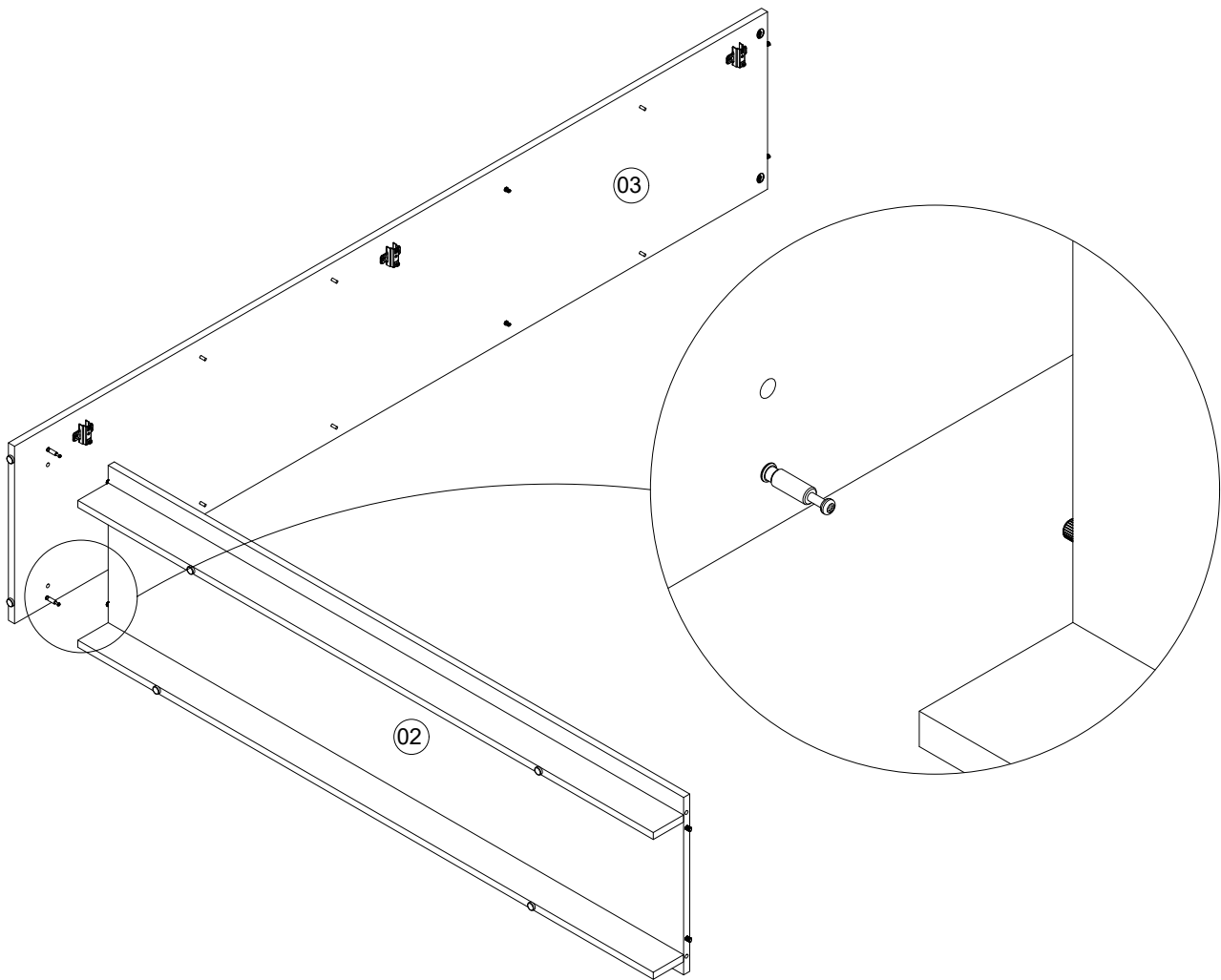
6



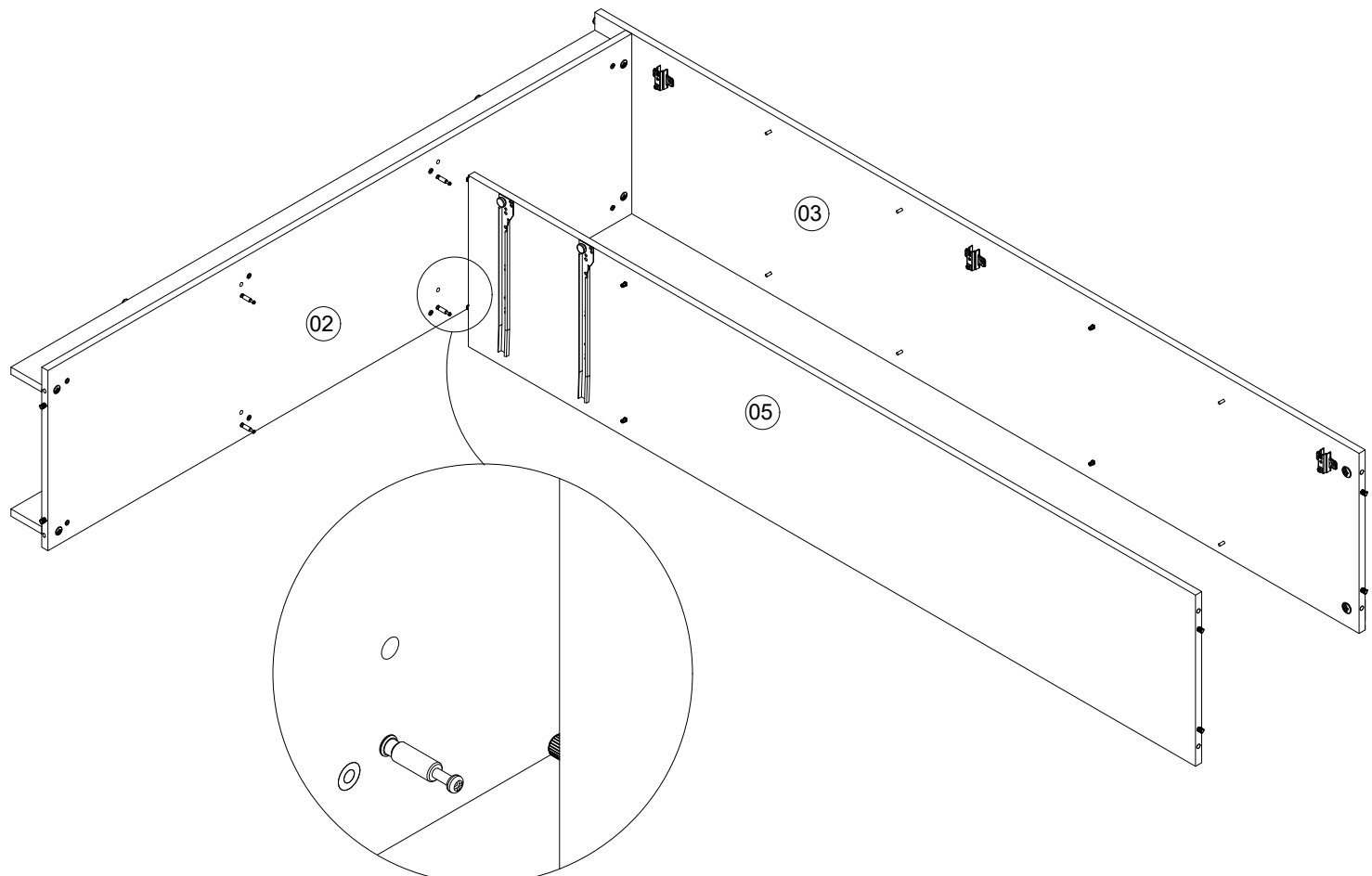
7



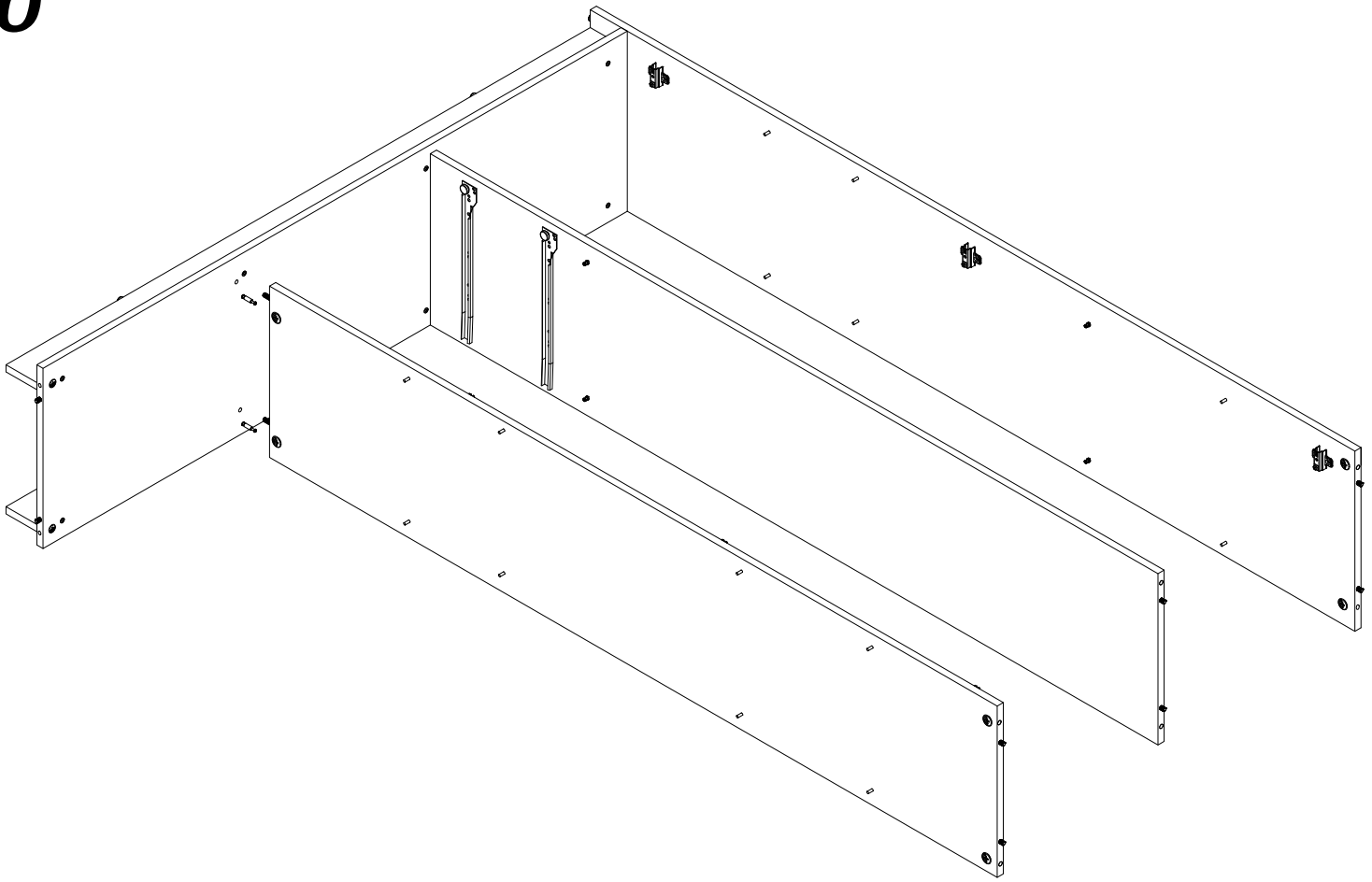
8



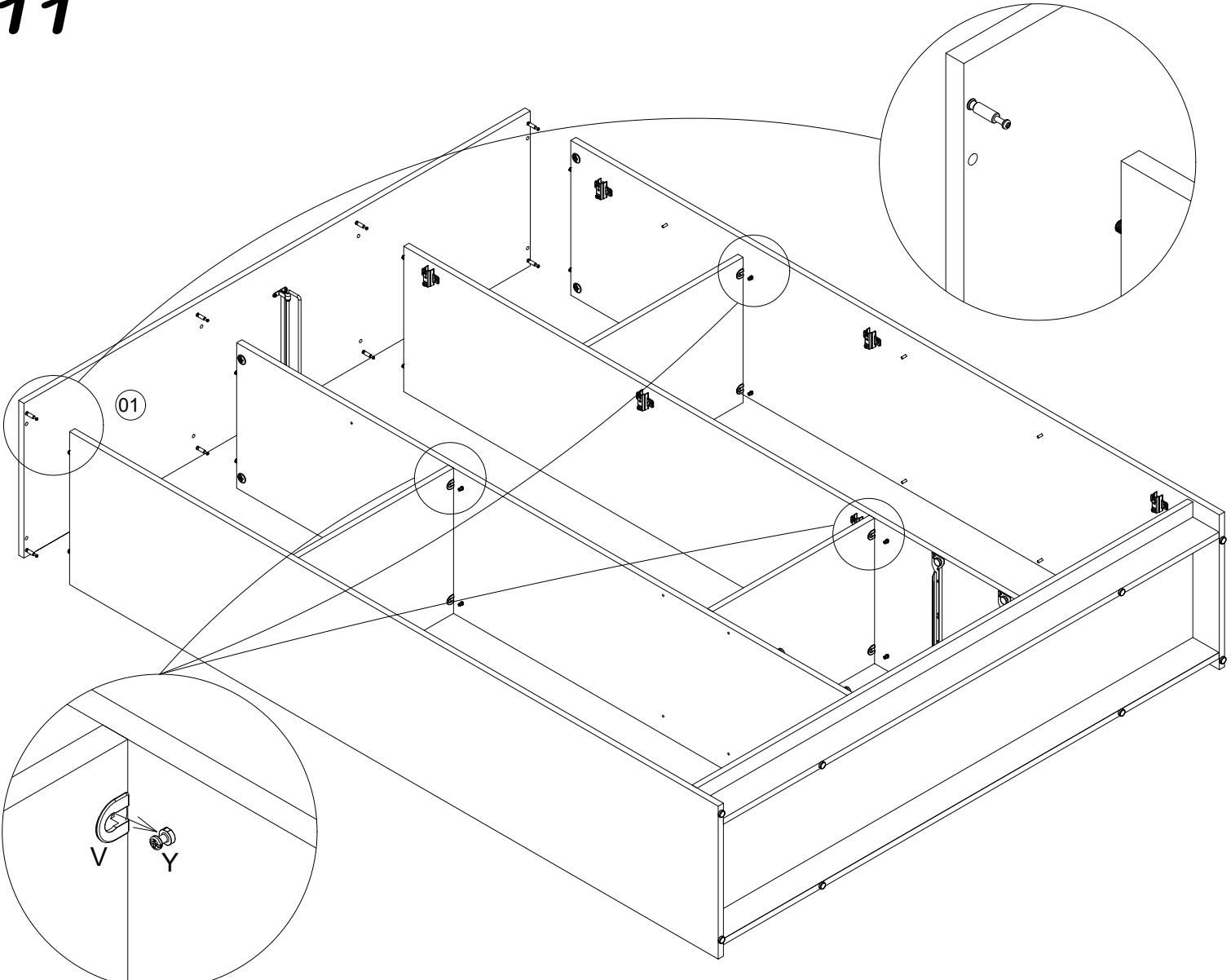
9



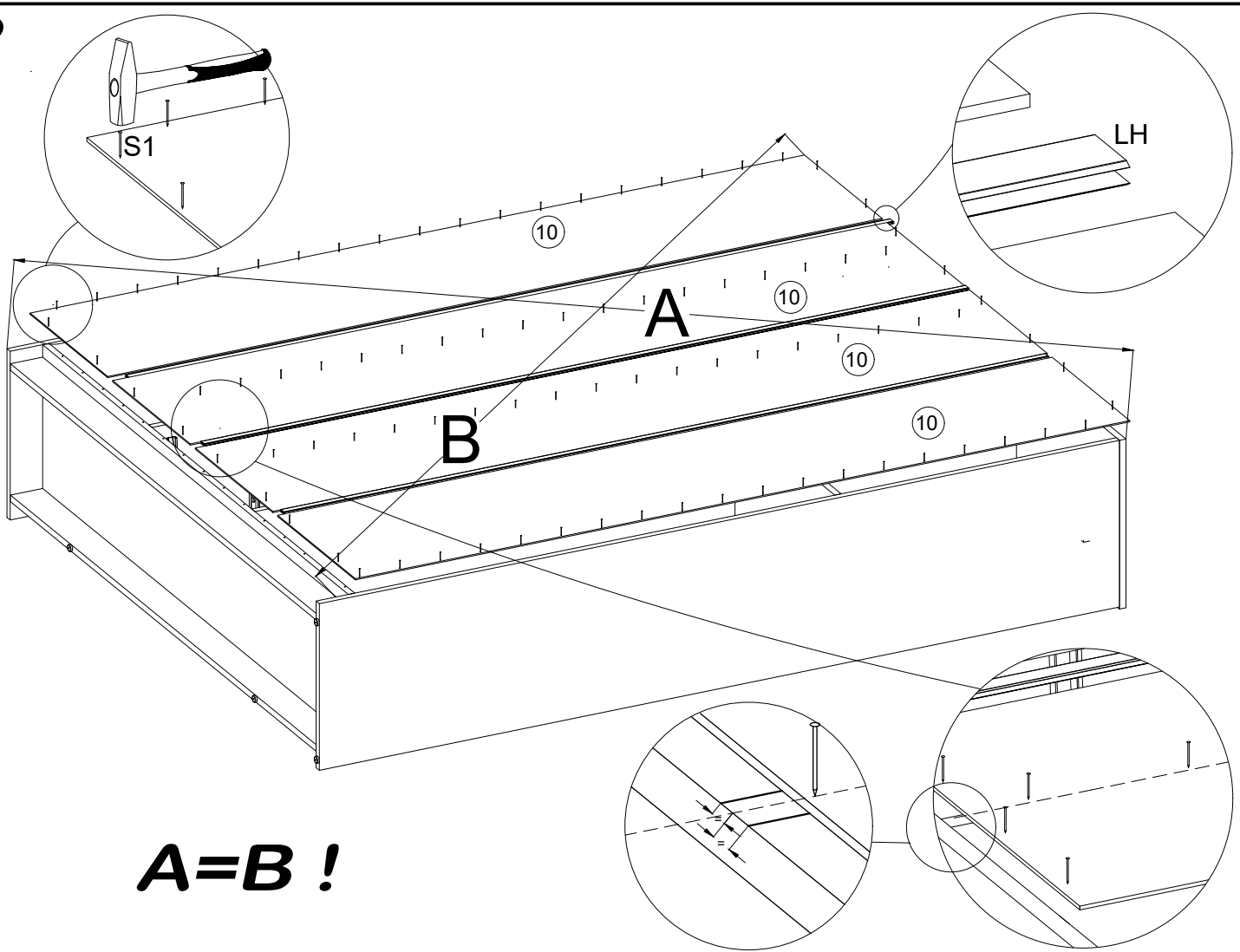
10



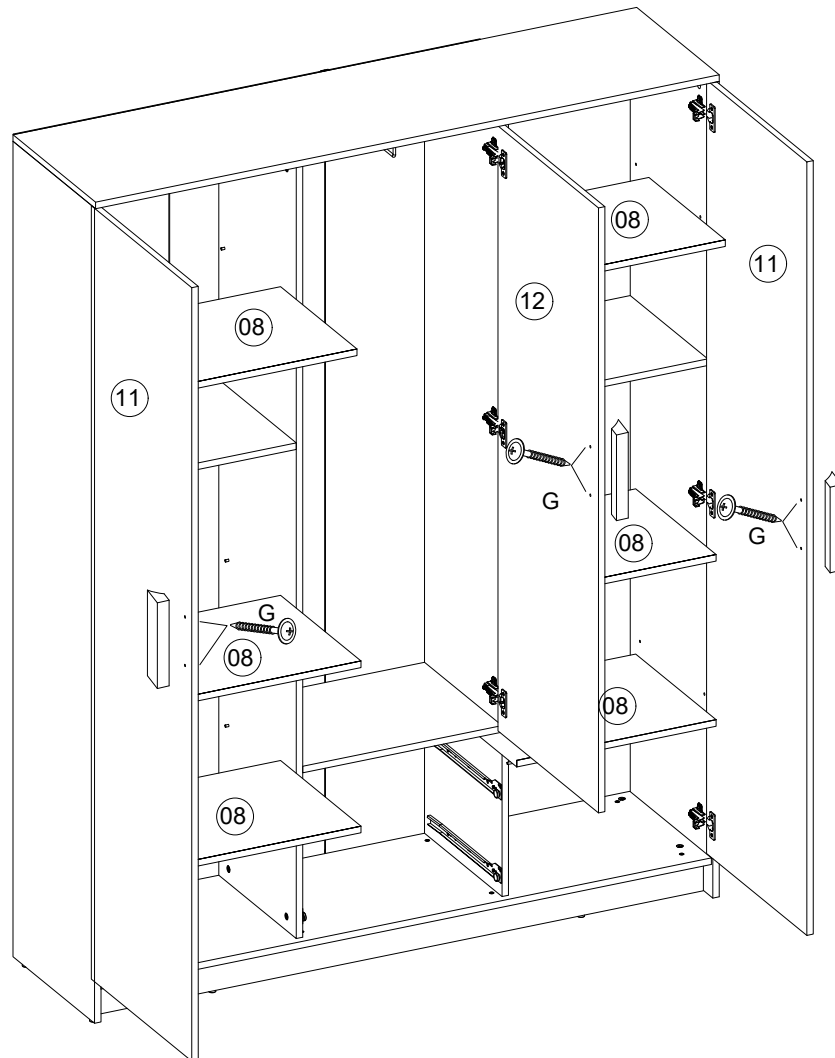
11



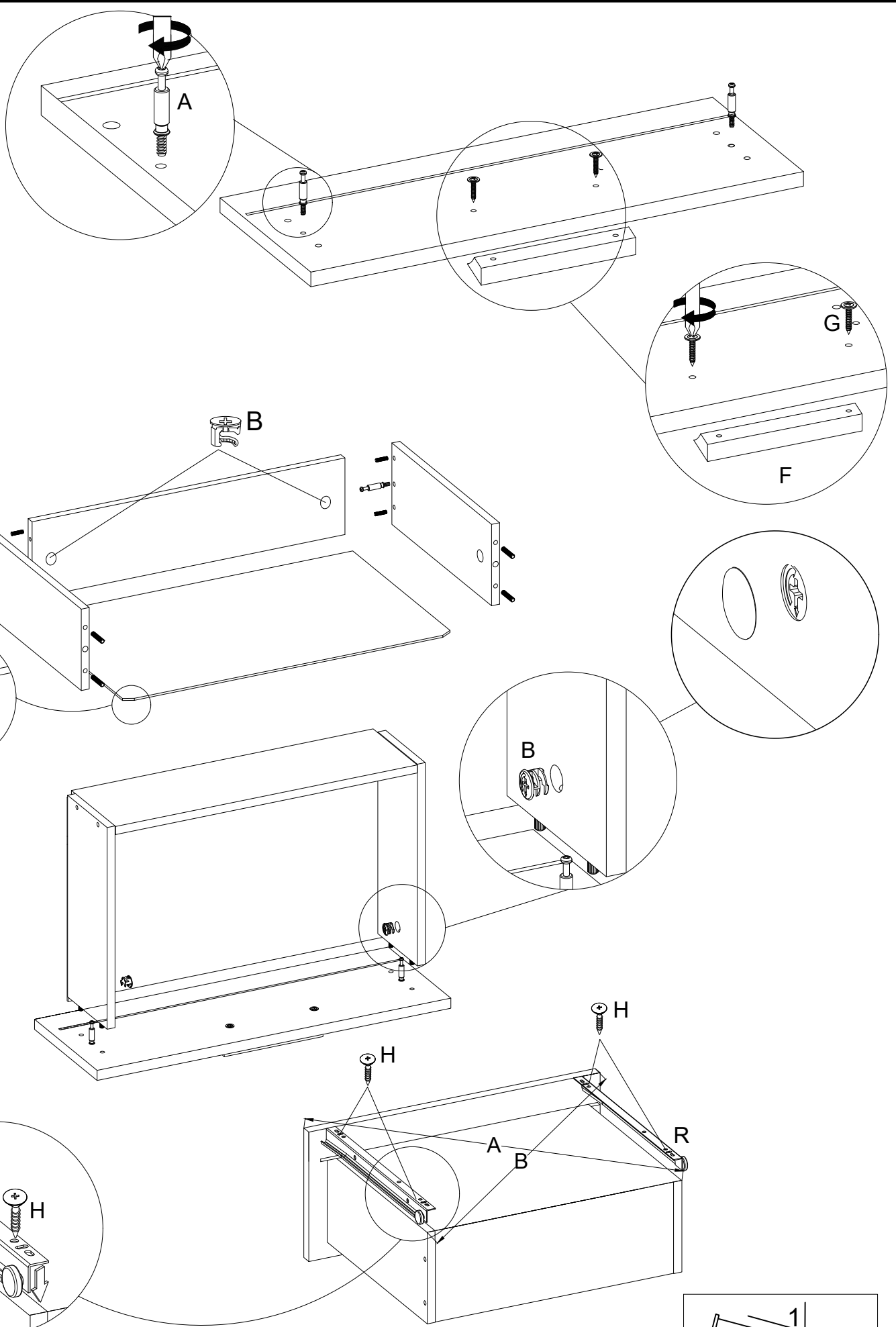
12



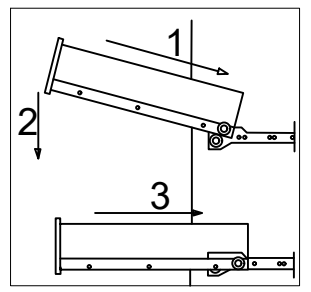
13

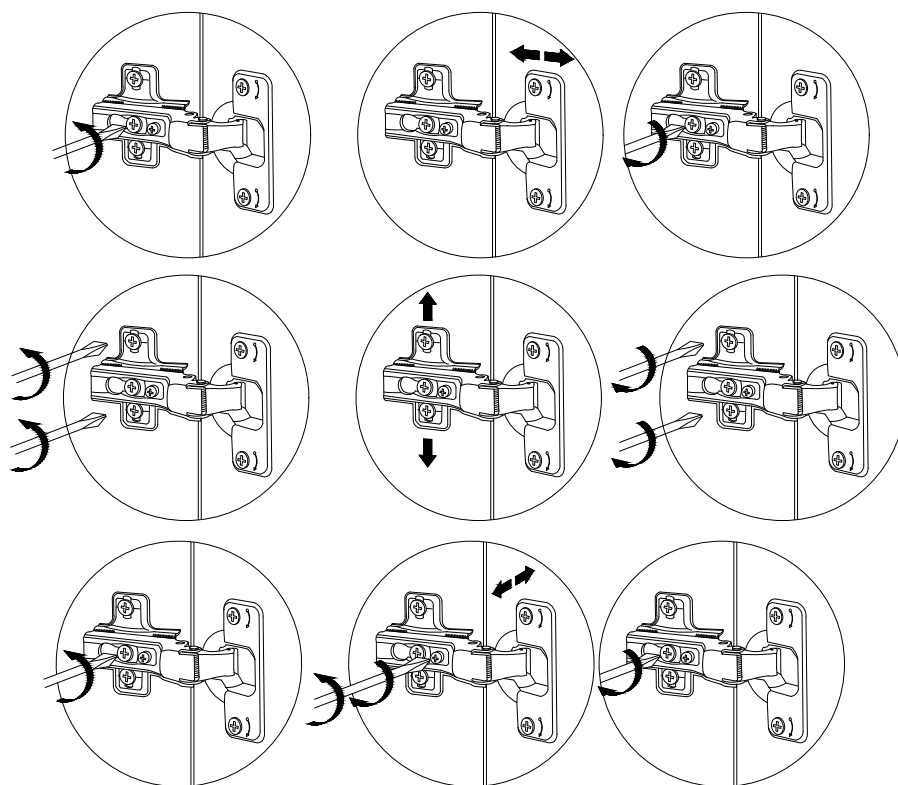


14

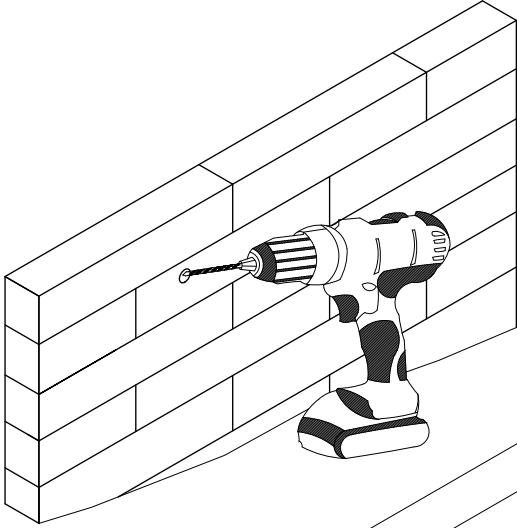




A=B !



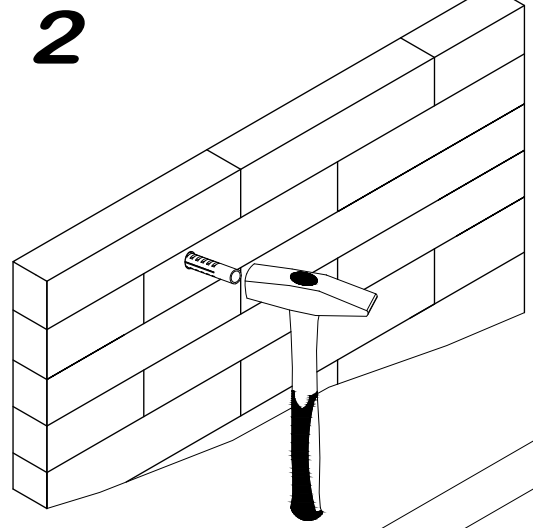


1

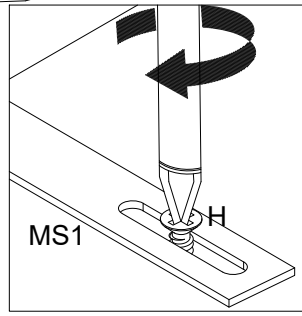
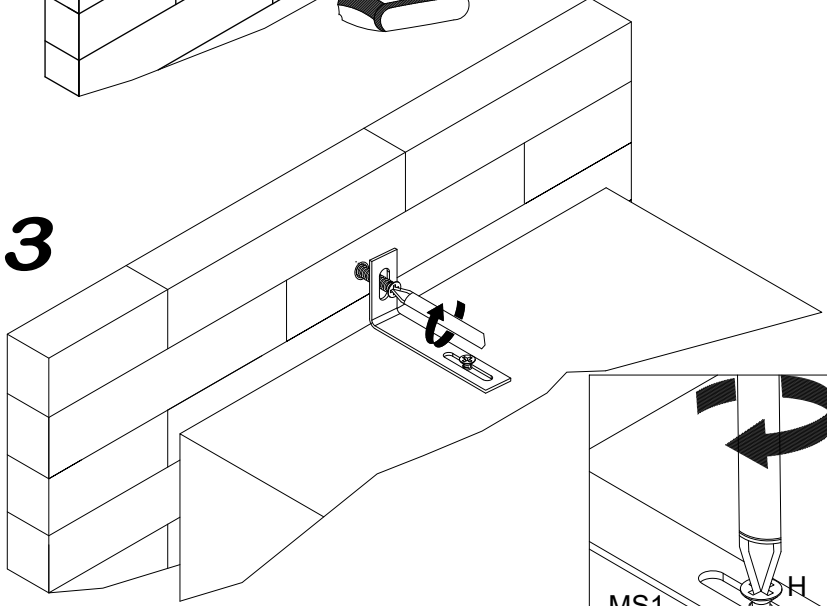


| | |
|--|--|
| 3.5x16 | |
|  |  |
| H | MS1 |
| 1 | 1 |

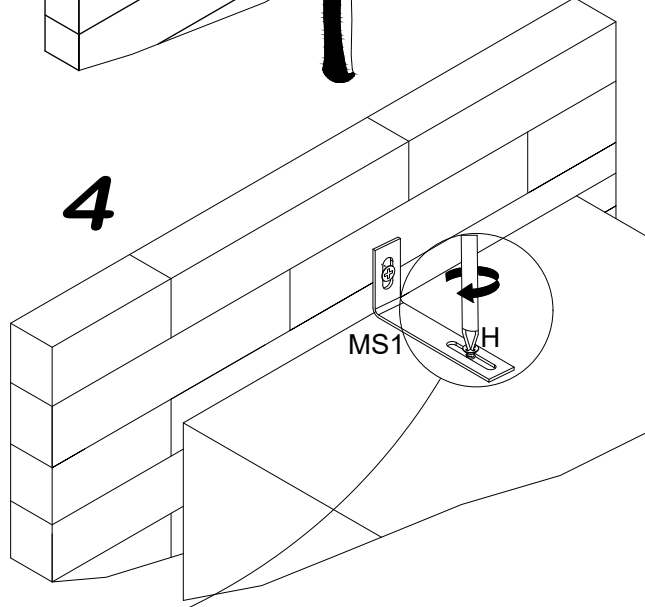
2

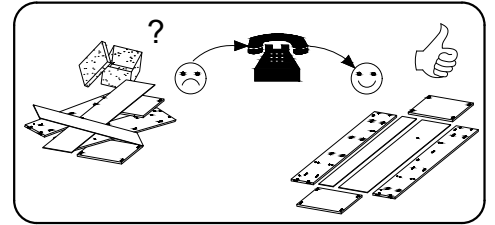
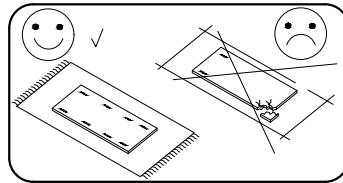
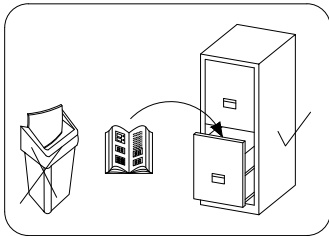
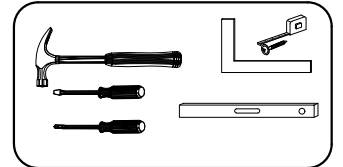
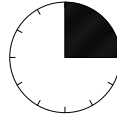
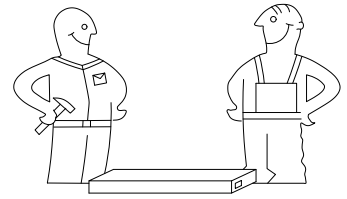



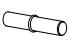






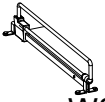
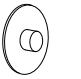

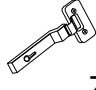






3

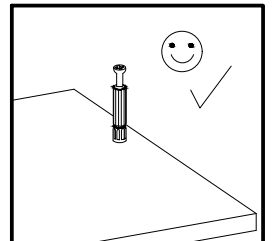
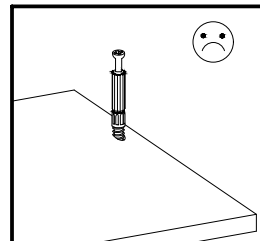
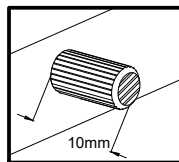
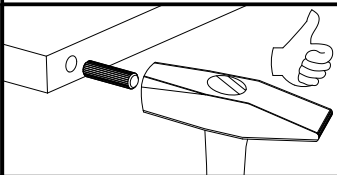
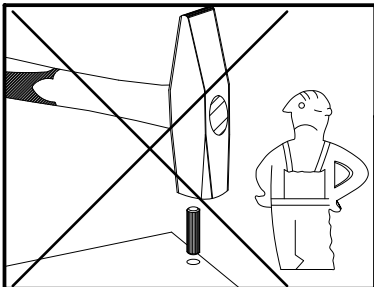


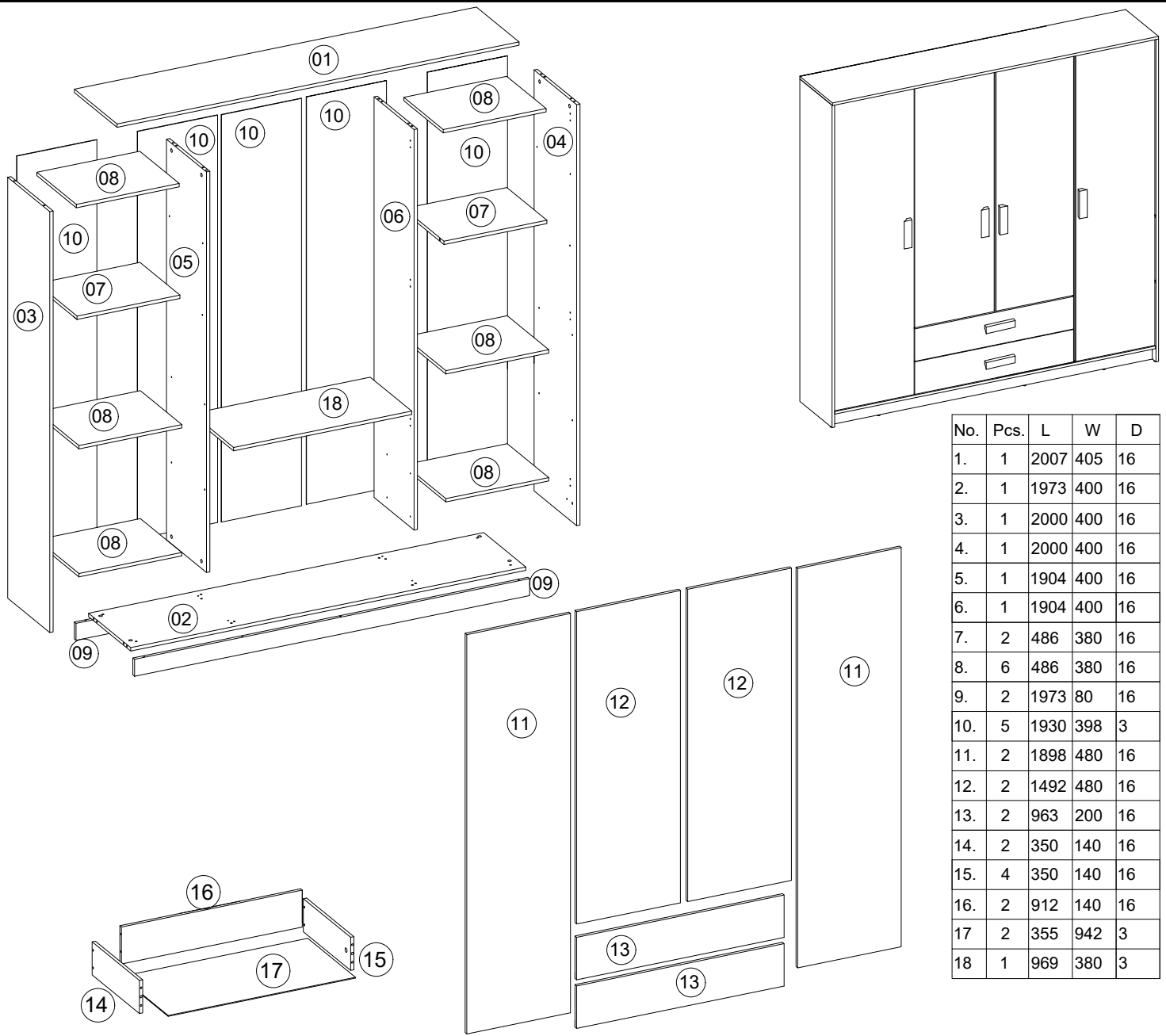
4



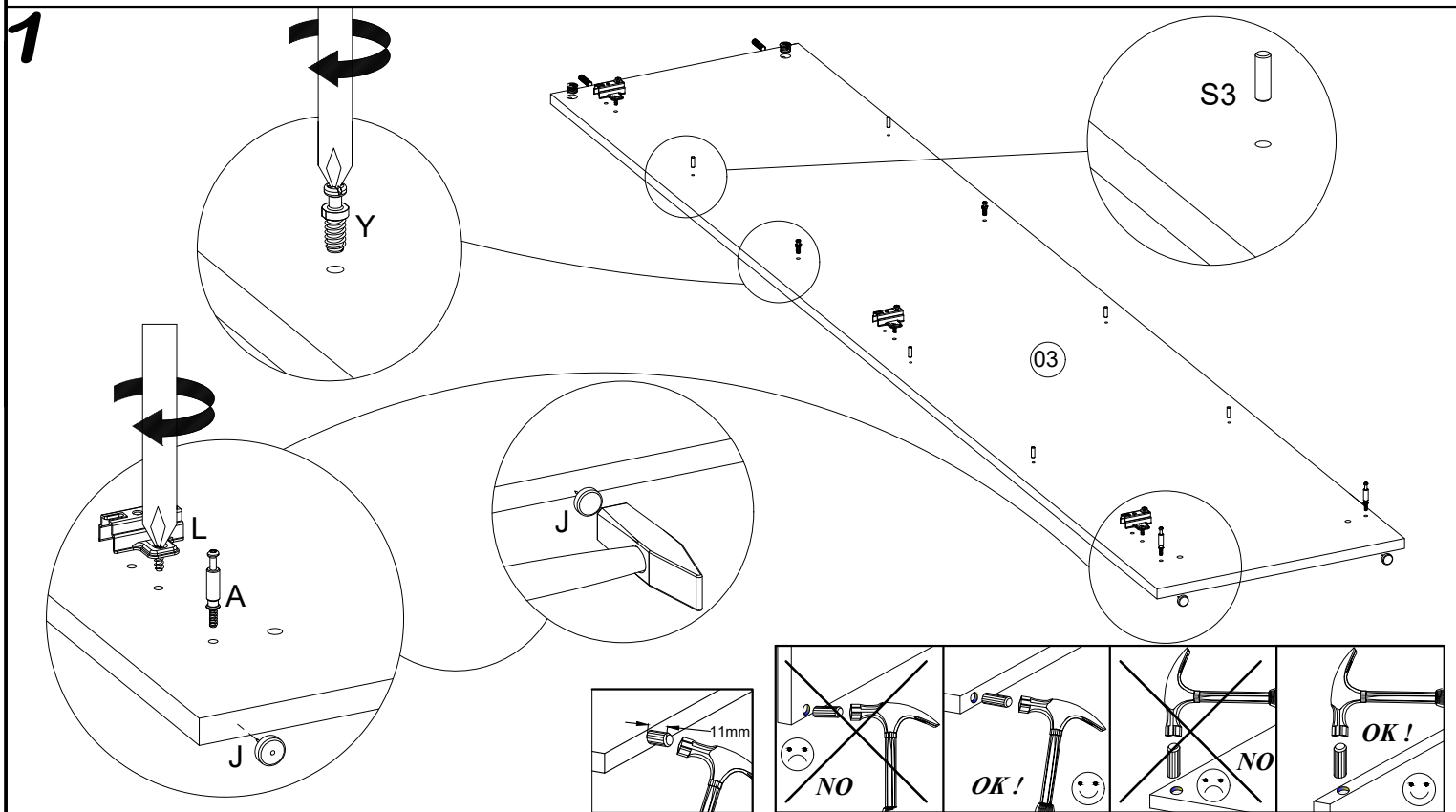


| | | | | | | | | |
|--|---|--|--|--|--|--|--|--|
| 8.0x35  D |  S3 |  A | Ø15x12  B | 3.5x16  H | 7.0X50  O |  S1 | 4.0x25  G |  WS |
| 32 | 24 | 24 | 24 | 56 | 12 | 100 | 12 | 2 |
|  X |  X1 |  Z |  L |  Q |  Y |  V |  J |  WSP |
| 24 | 12 | 12 | 12 | 1 | 12 | 12 | 8 | 2 |

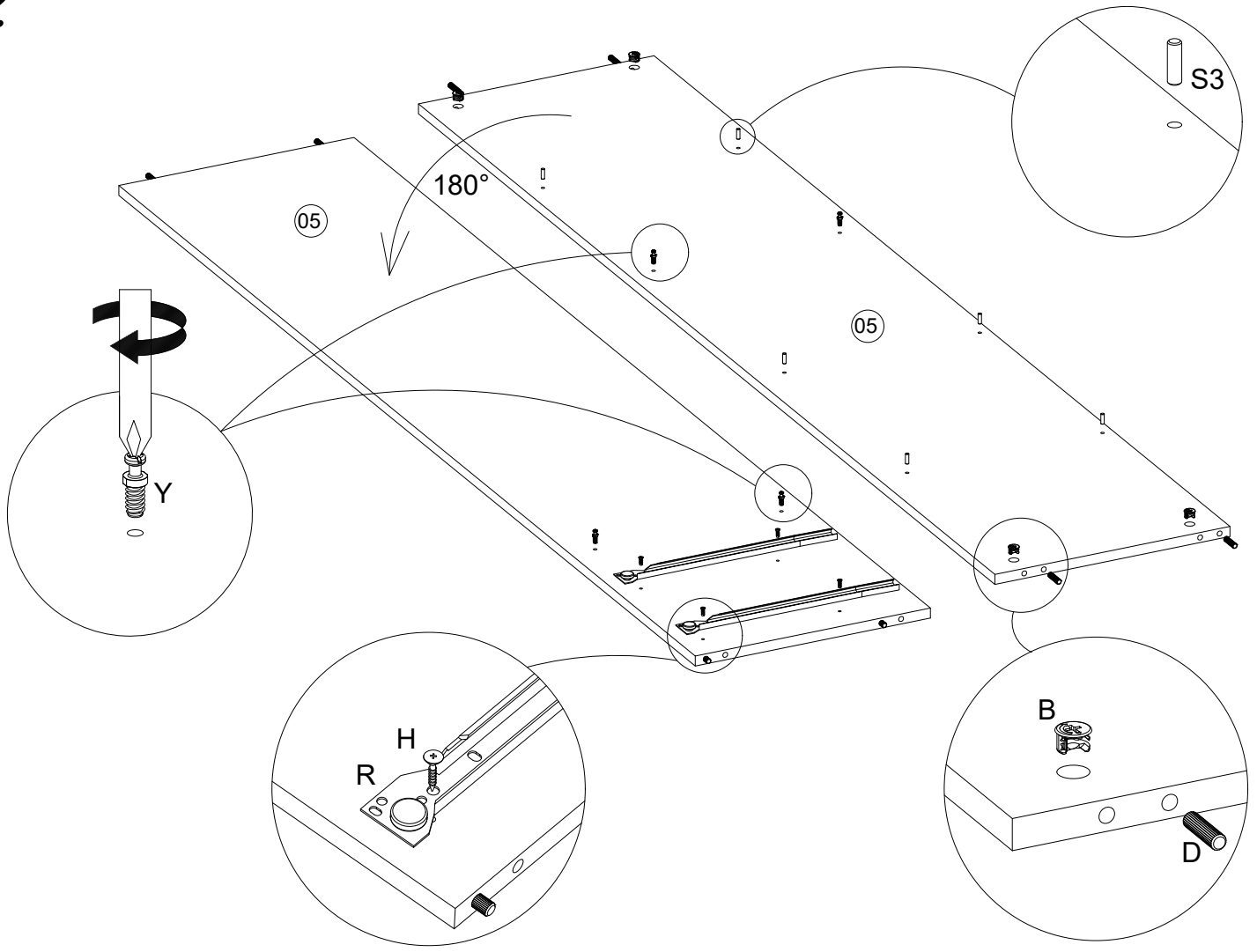




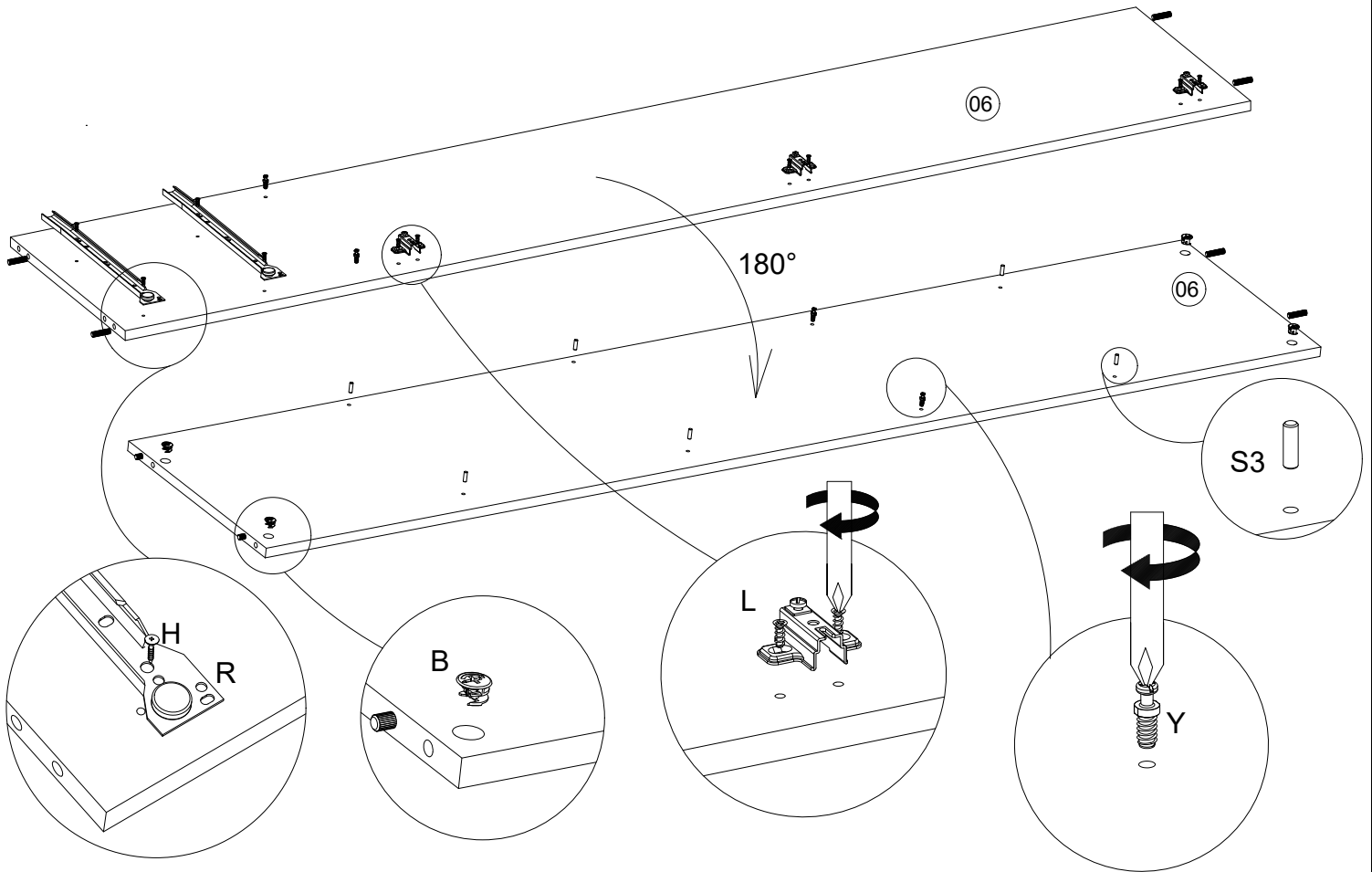
| No. | Pcs. | L | W | D |
|-----|------|------|-----|----|
| 1. | 1 | 2007 | 405 | 16 |
| 2. | 1 | 1973 | 400 | 16 |
| 3. | 1 | 2000 | 400 | 16 |
| 4. | 1 | 2000 | 400 | 16 |
| 5. | 1 | 1904 | 400 | 16 |
| 6. | 1 | 1904 | 400 | 16 |
| 7. | 2 | 486 | 380 | 16 |
| 8. | 6 | 486 | 380 | 16 |
| 9. | 2 | 1973 | 80 | 16 |
| 10. | 5 | 1930 | 398 | 3 |
| 11. | 2 | 1898 | 480 | 16 |
| 12. | 2 | 1492 | 480 | 16 |
| 13. | 2 | 963 | 200 | 16 |
| 14. | 2 | 350 | 140 | 16 |
| 15. | 4 | 350 | 140 | 16 |
| 16. | 2 | 912 | 140 | 16 |
| 17. | 2 | 355 | 942 | 3 |
| 18. | 1 | 969 | 380 | 3 |



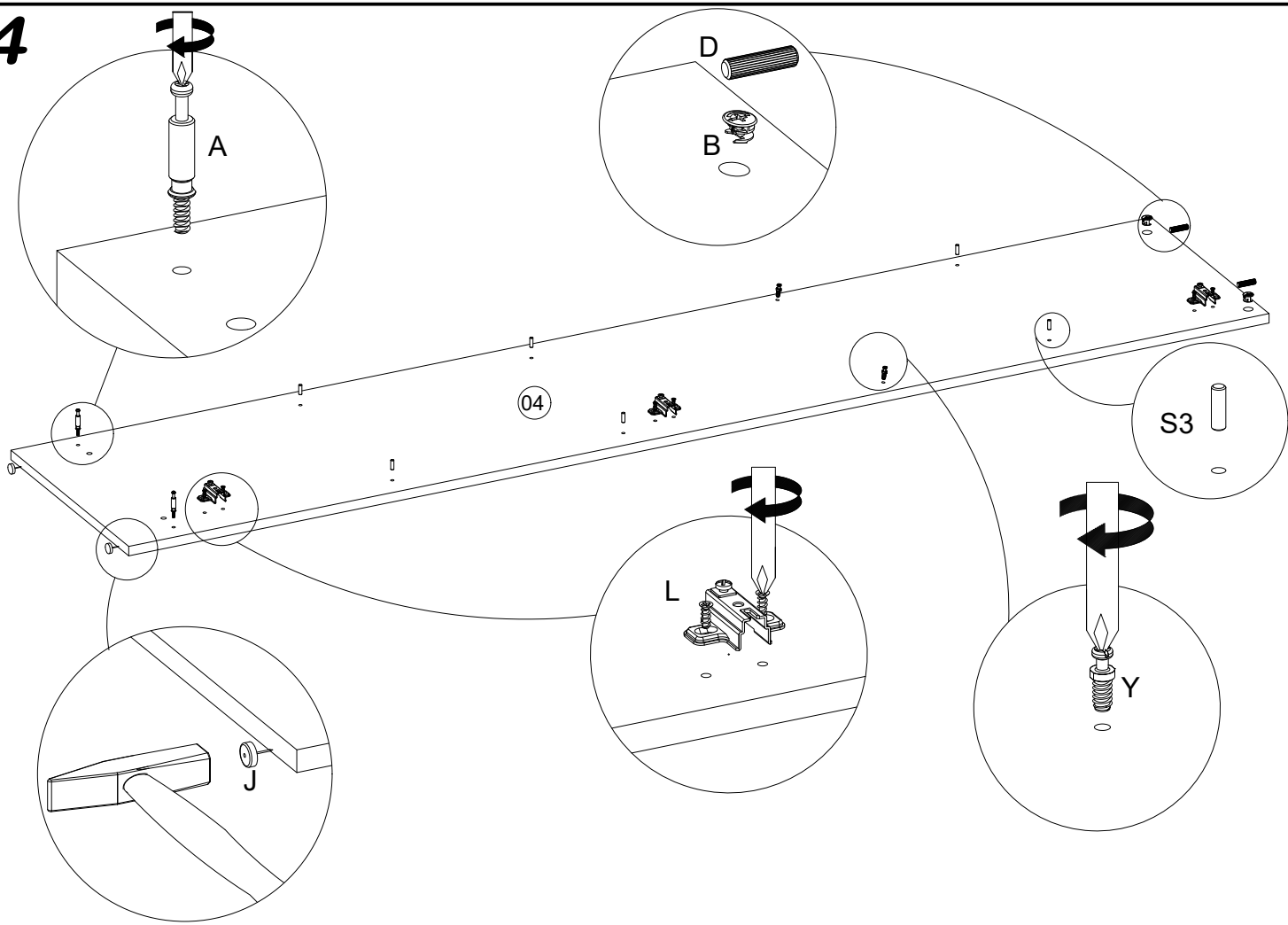
2



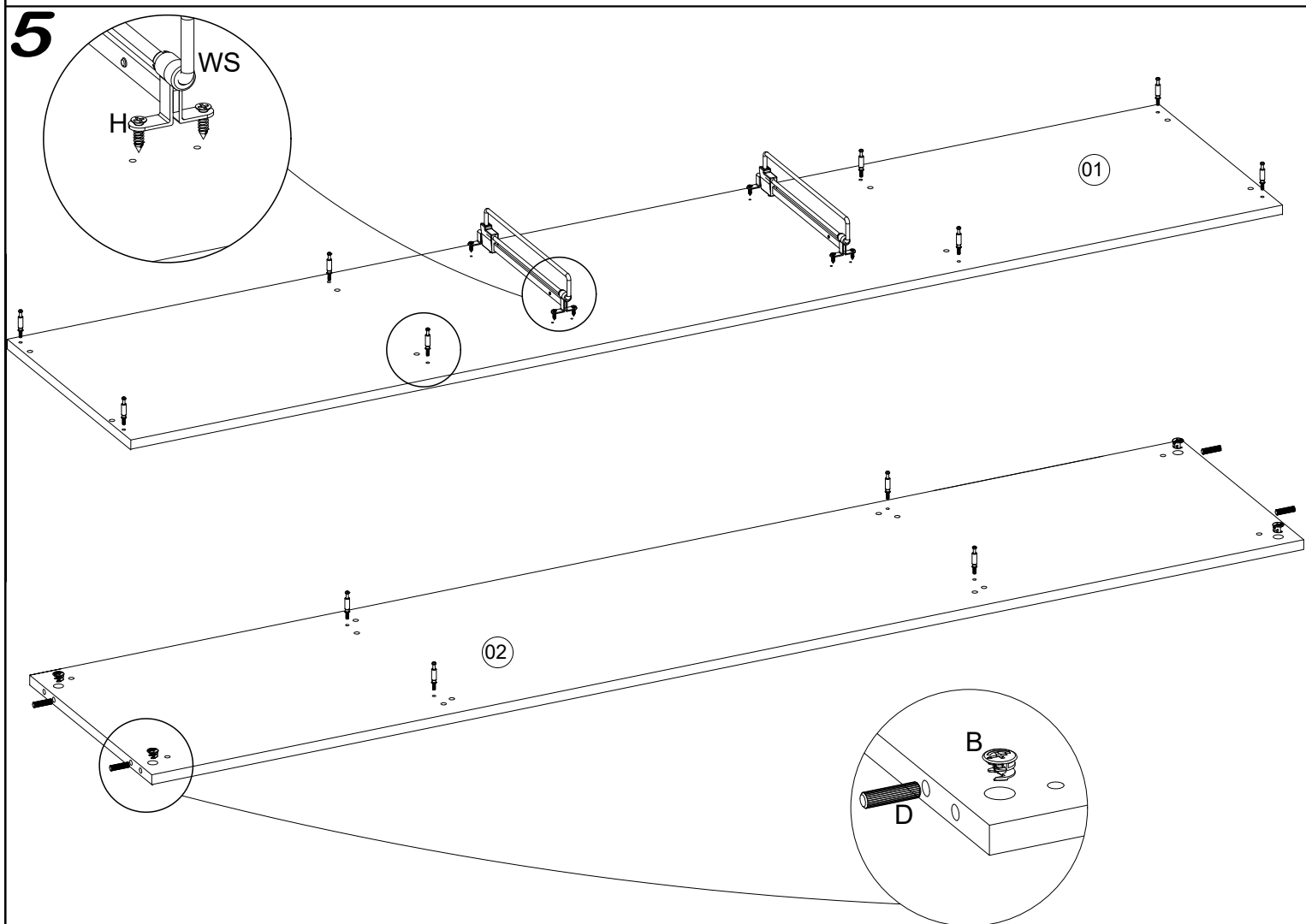
3



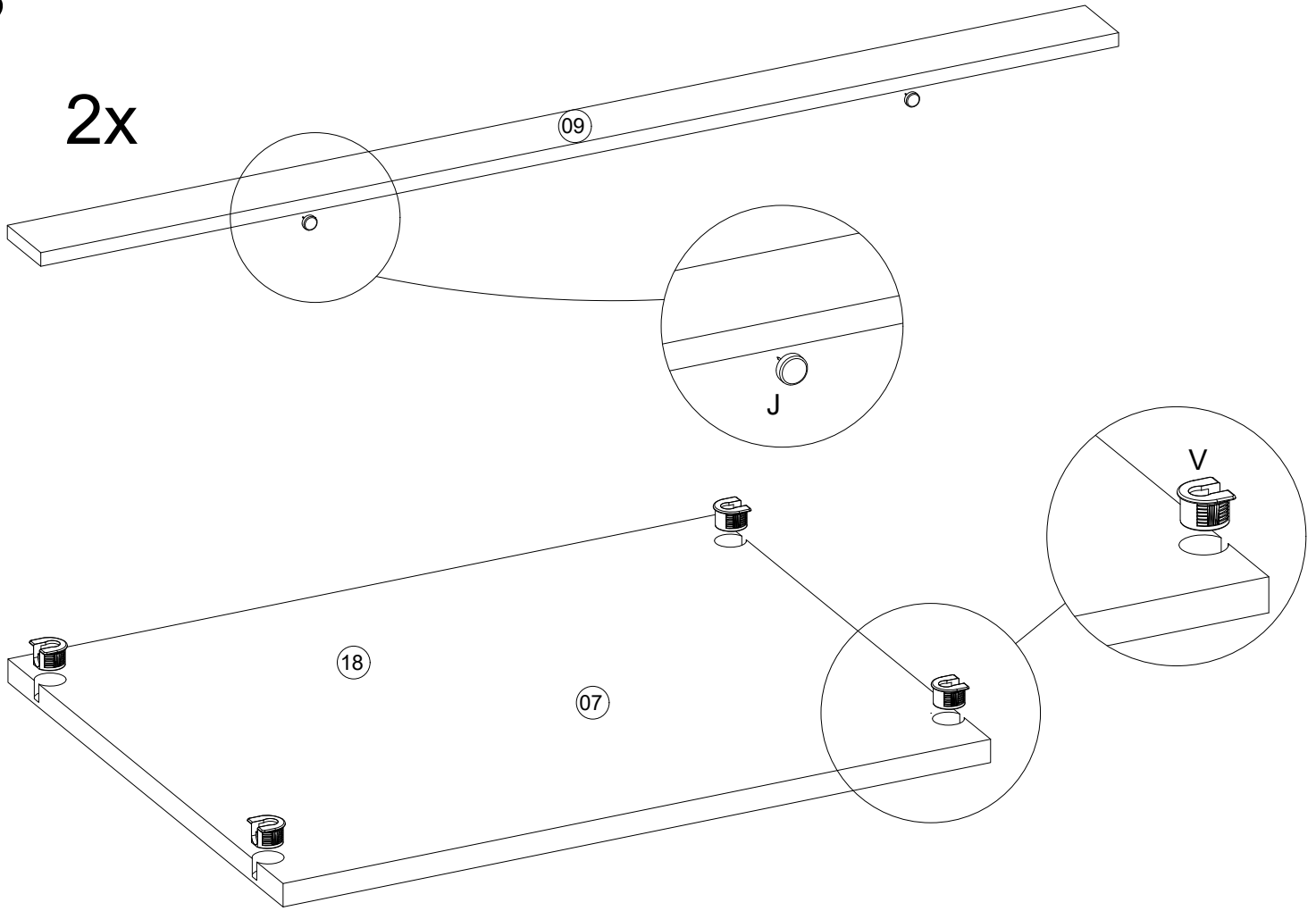
4



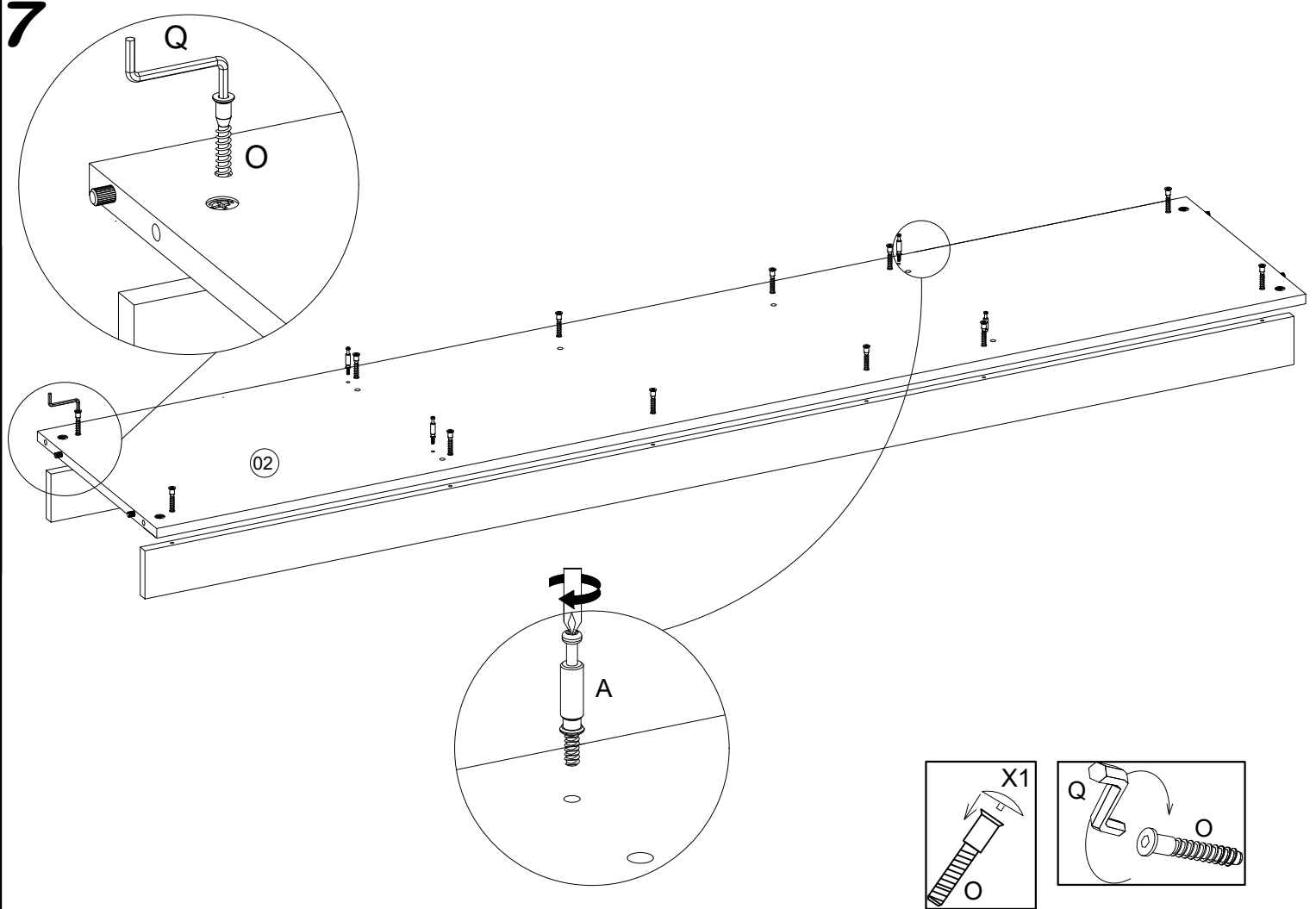
5



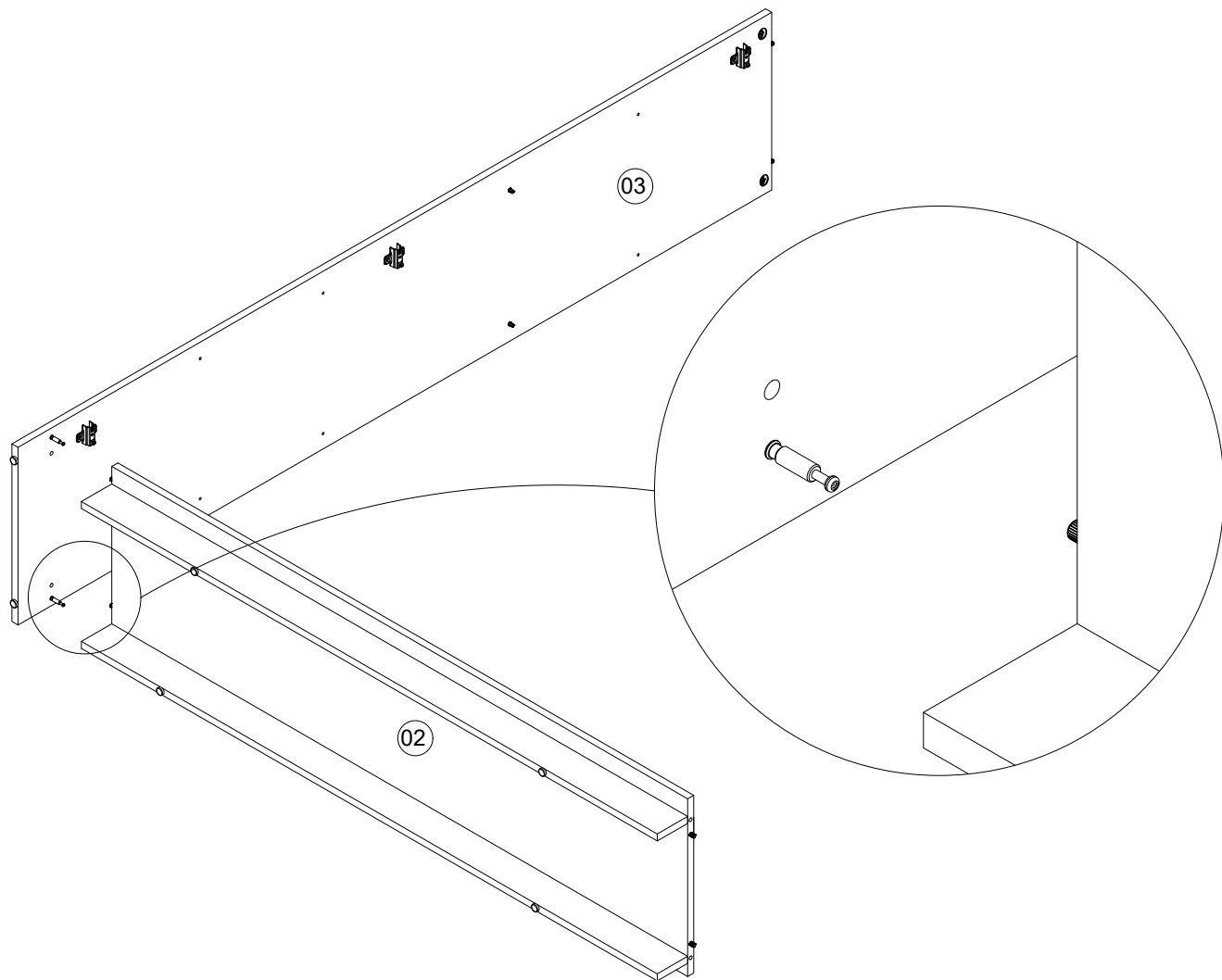
6



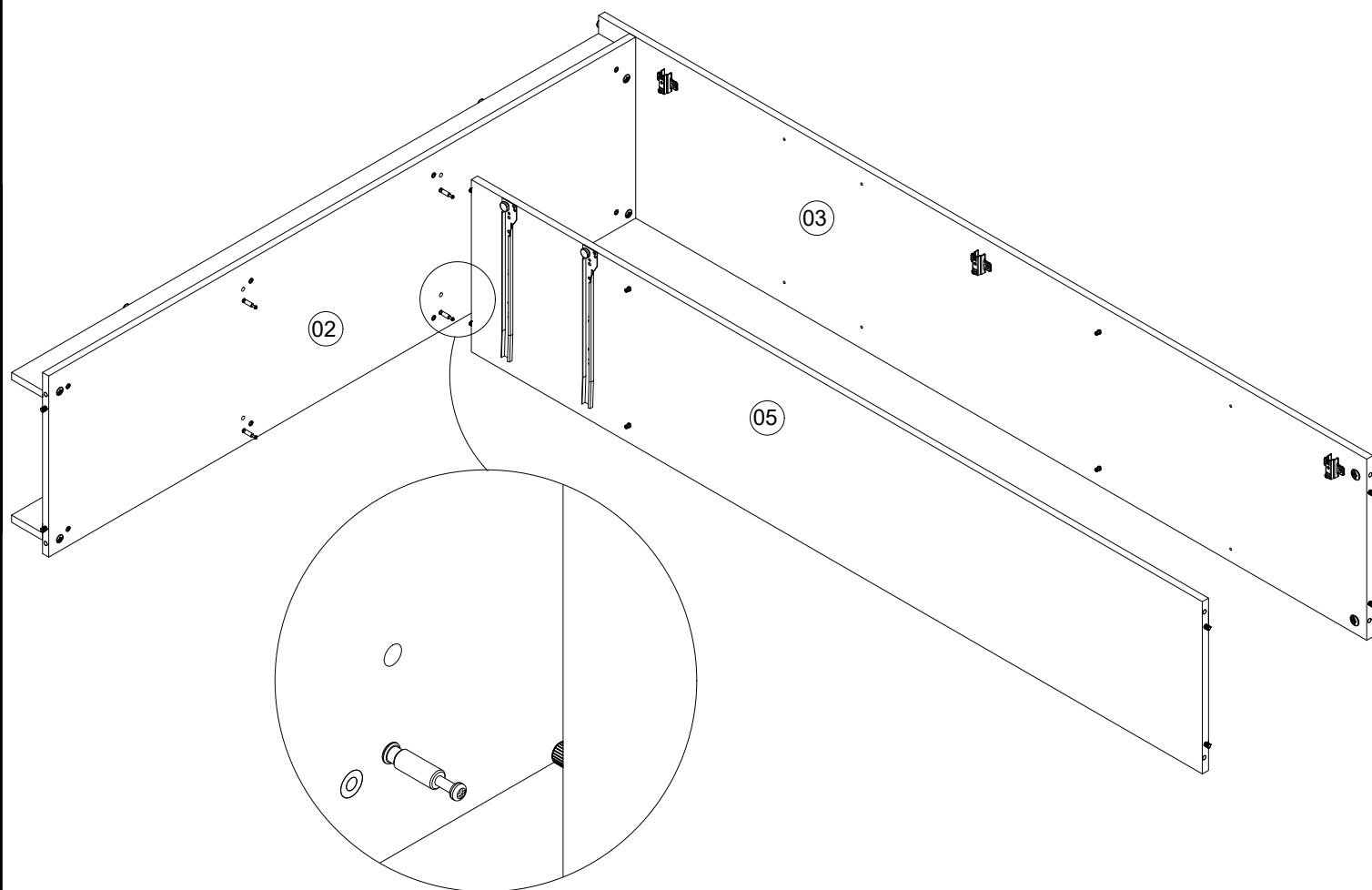
7



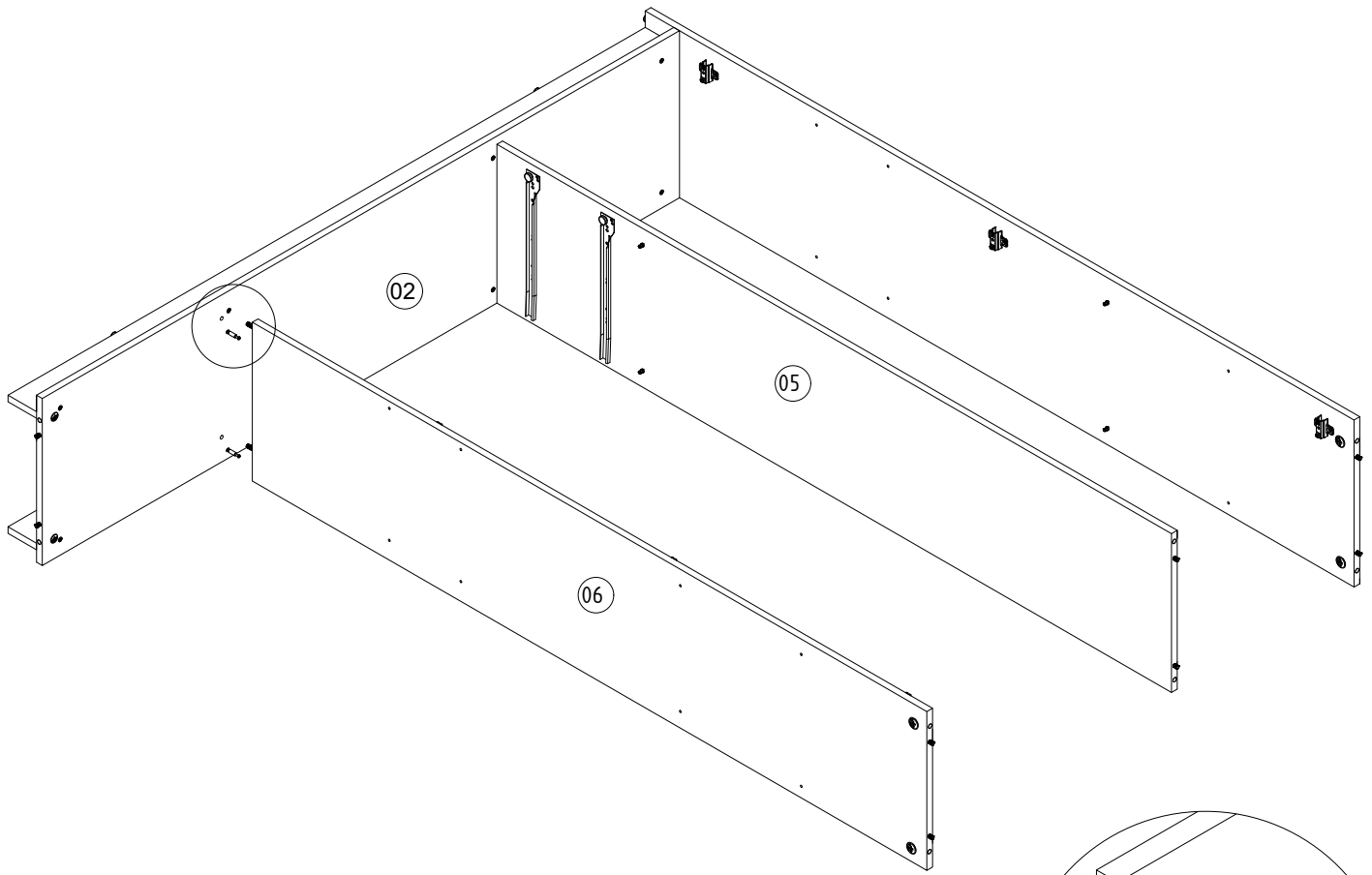
8



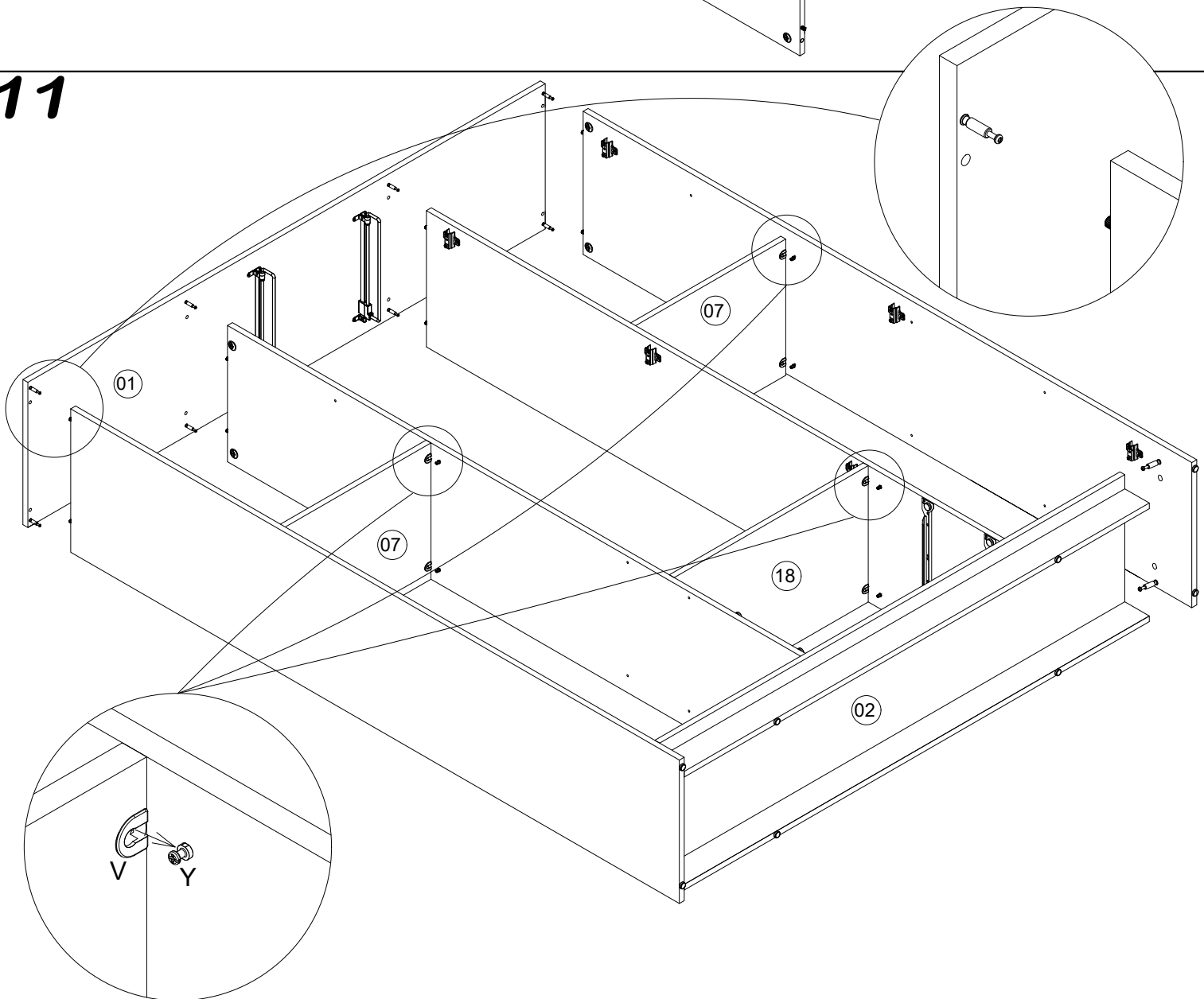
9



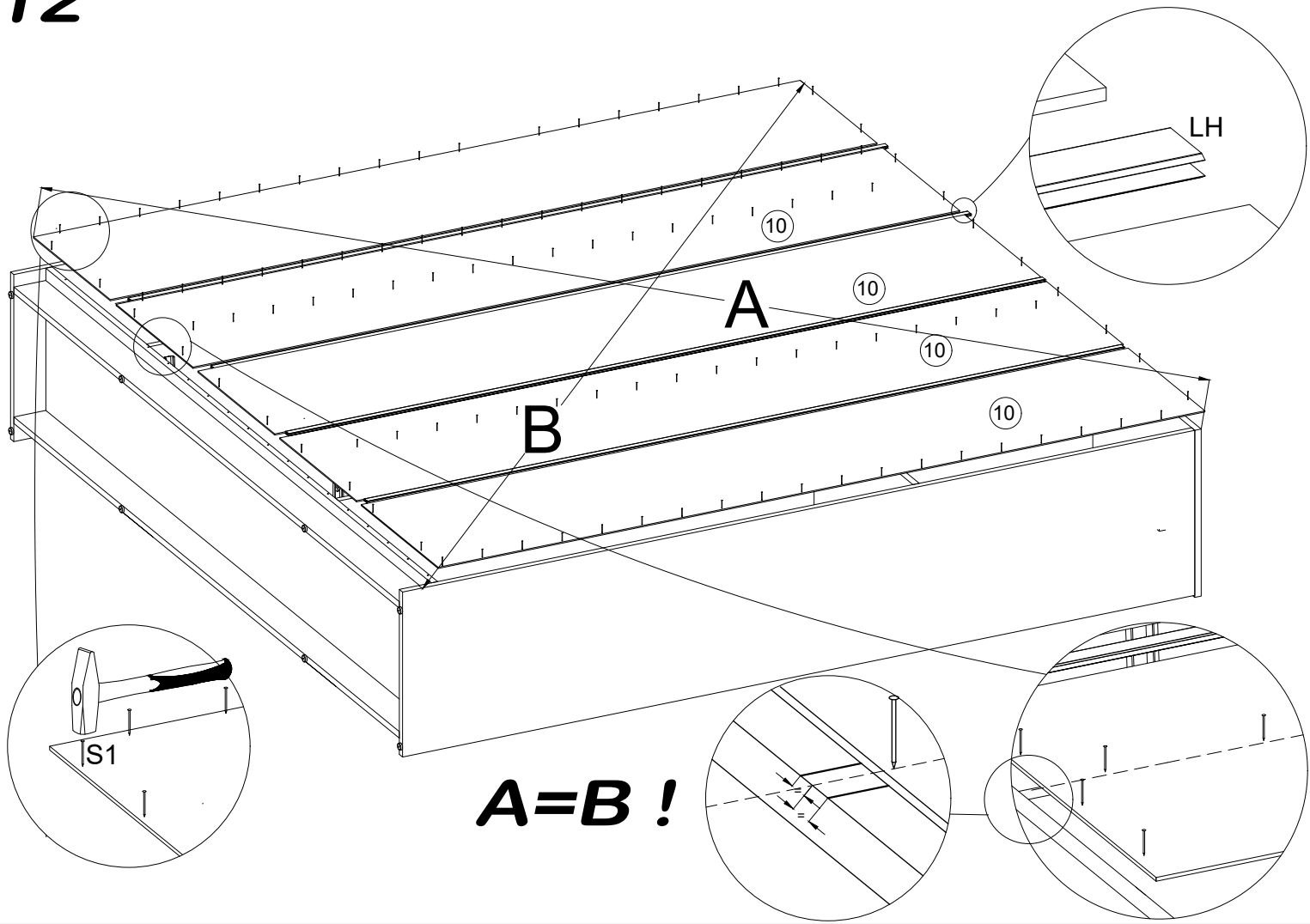
10



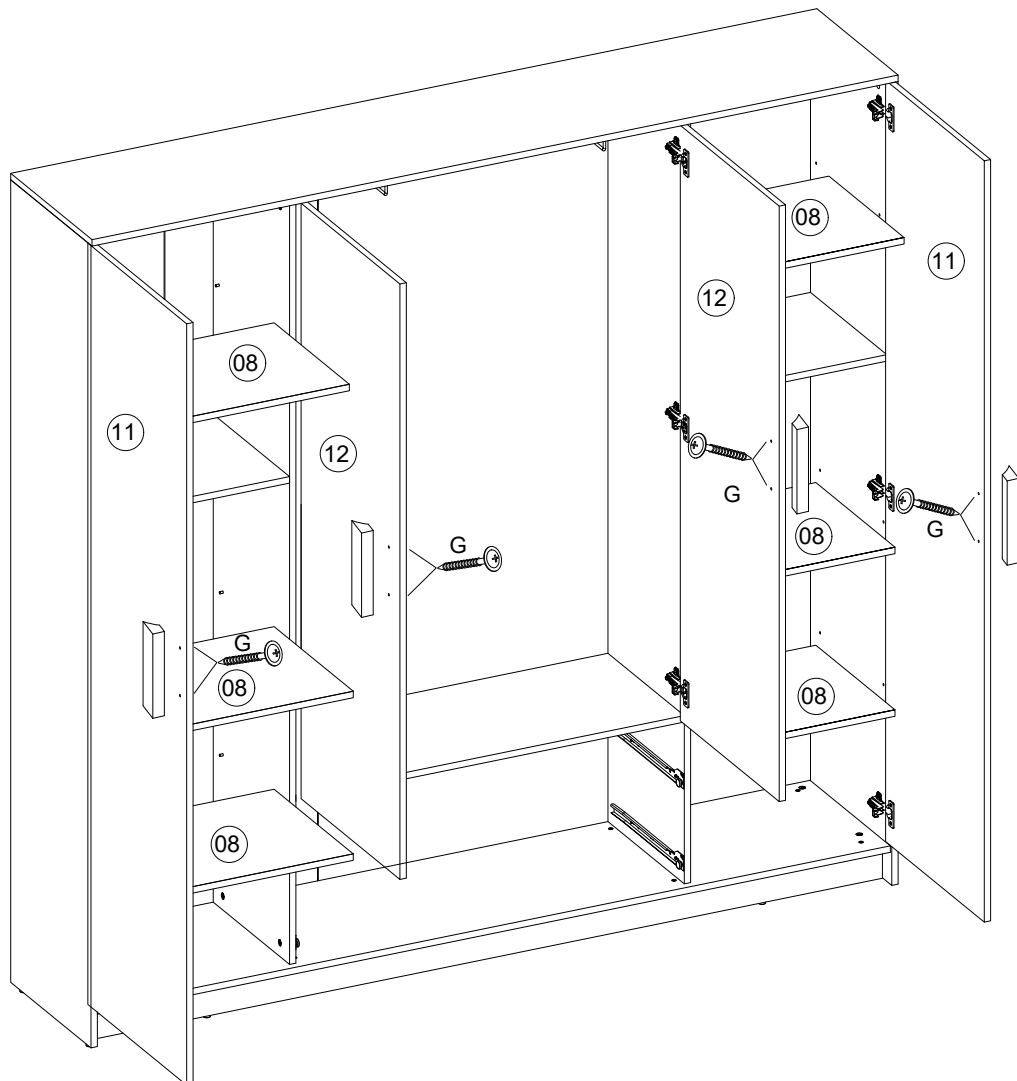
11



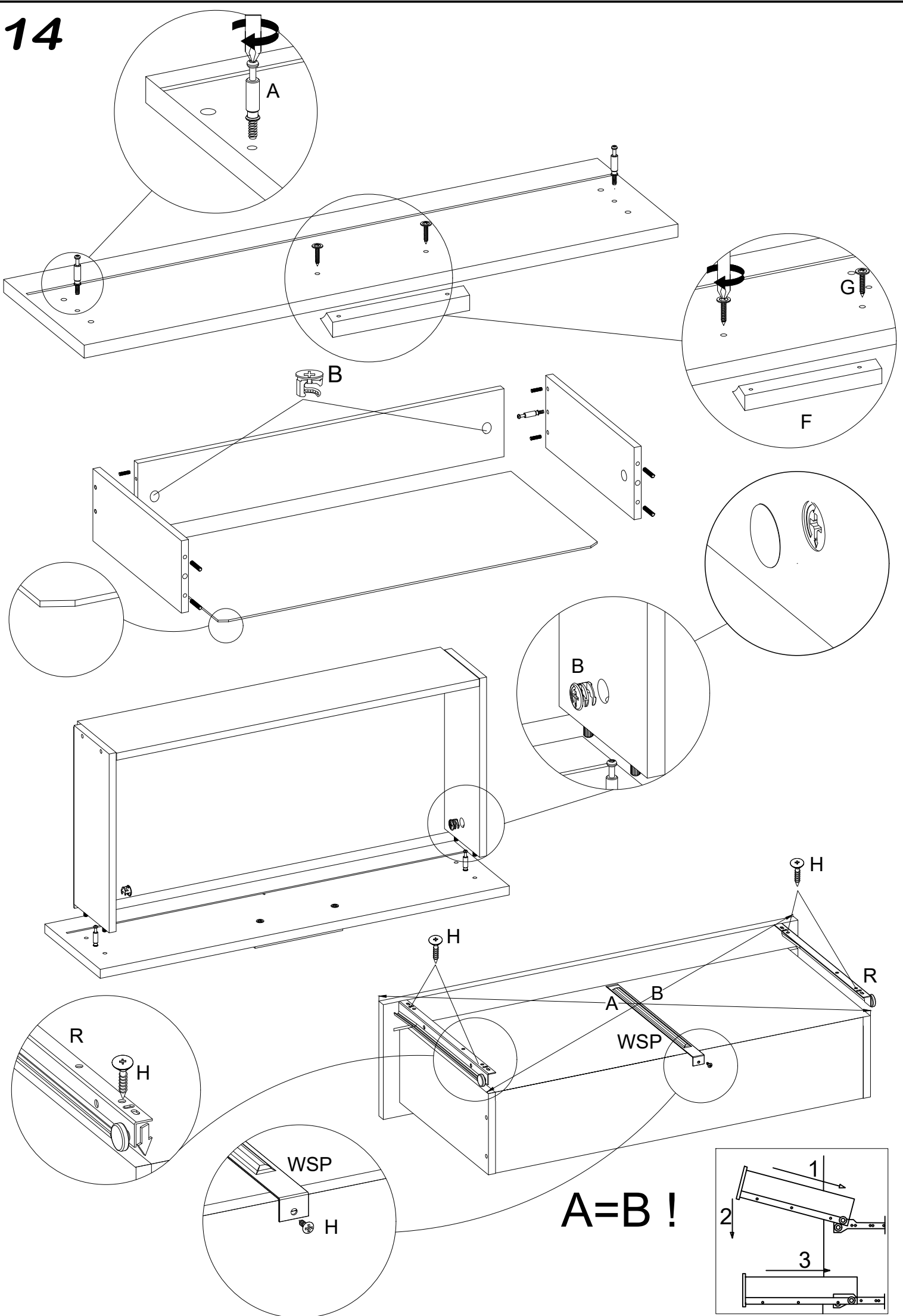
12

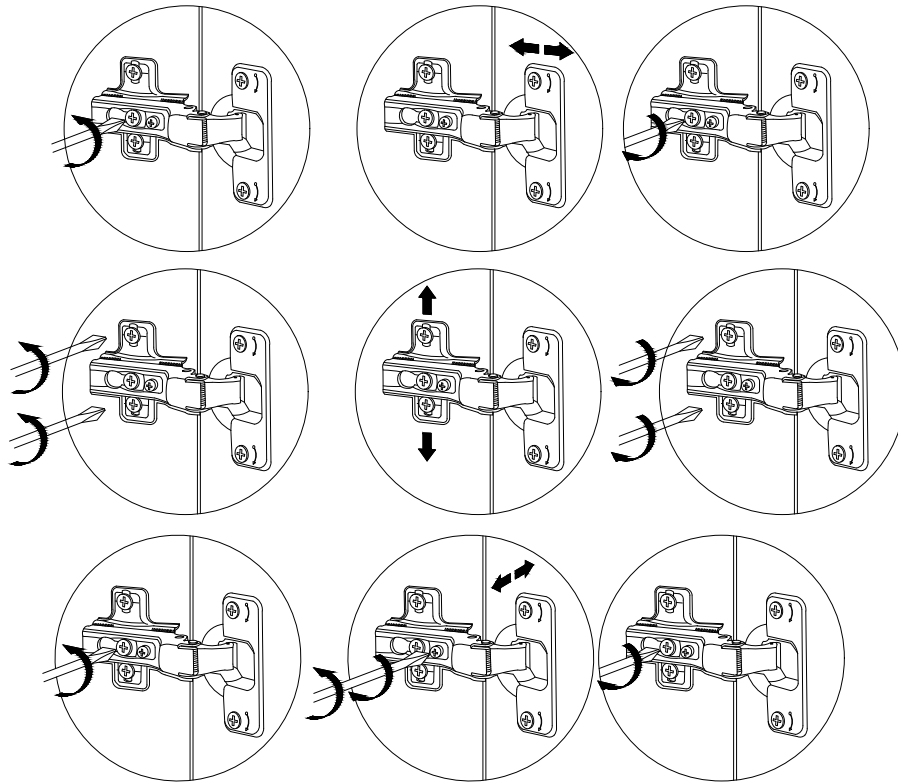


13

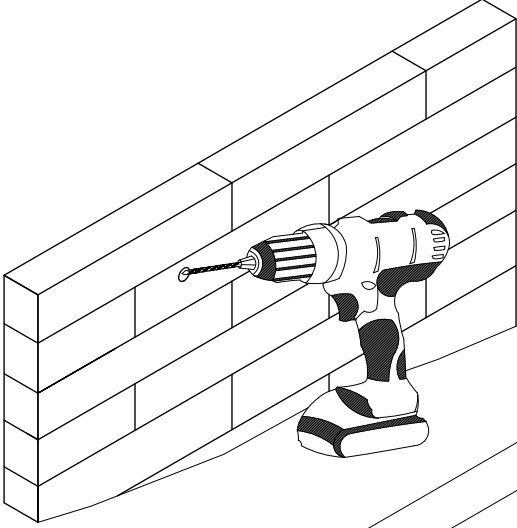




14



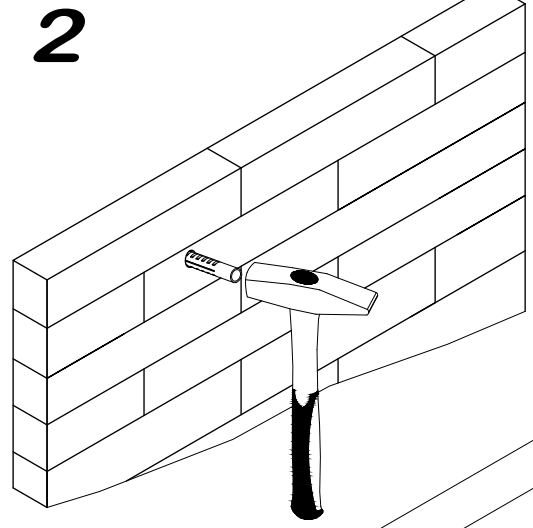


1

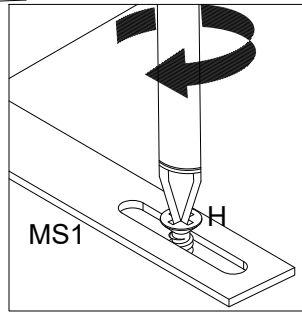
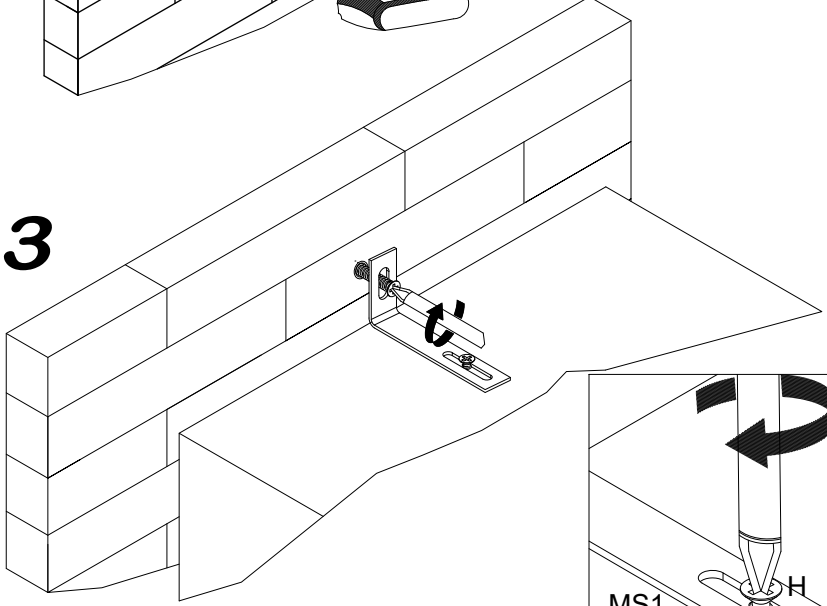


| | |
|--|--|
| 3.5x16 | |
|  |  |
| H | MS1 |
| 1 | 1 |

2



3



4

