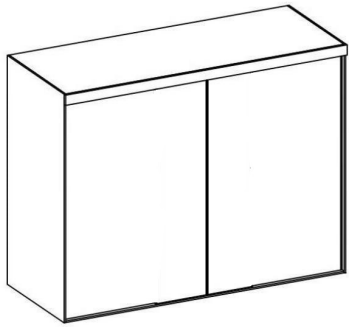

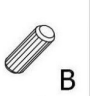







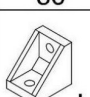
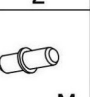
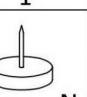
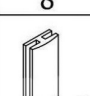
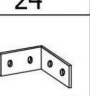
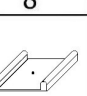
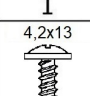
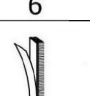
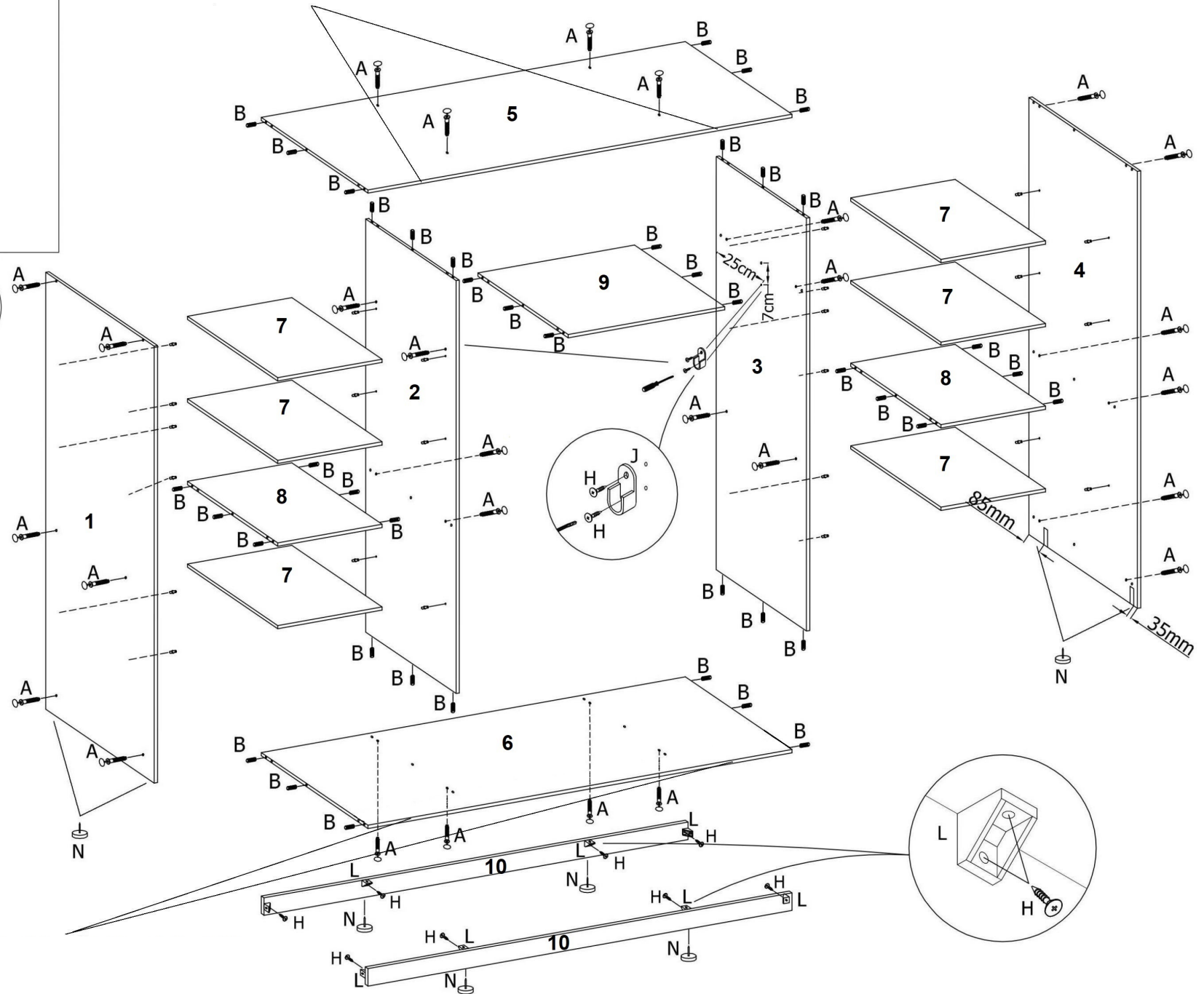


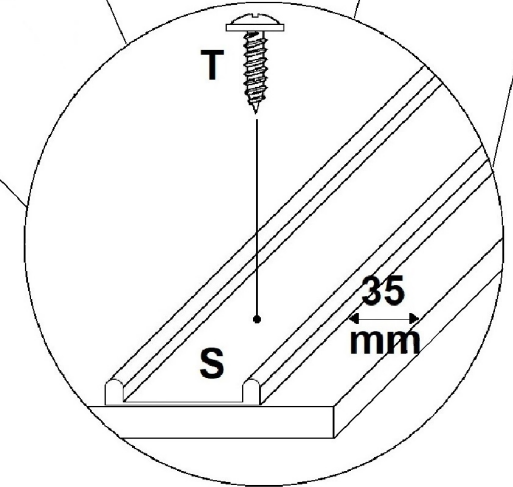
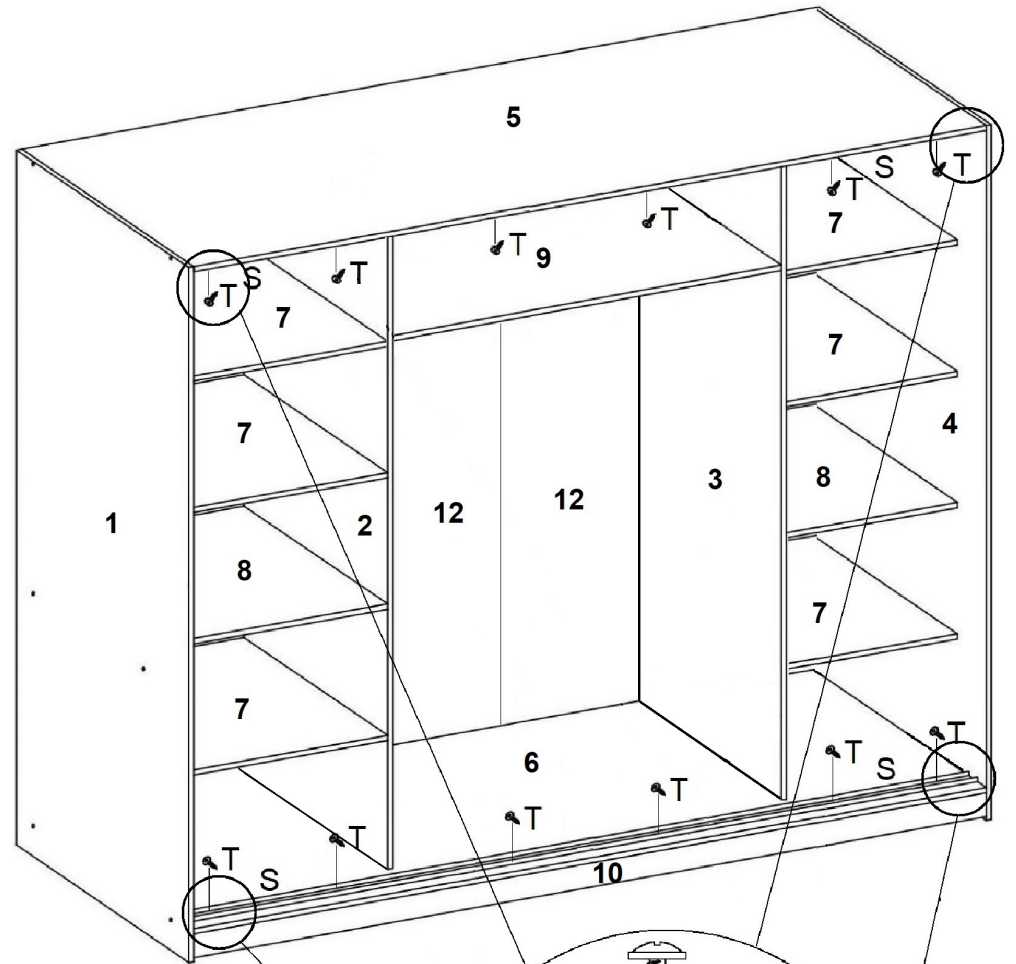
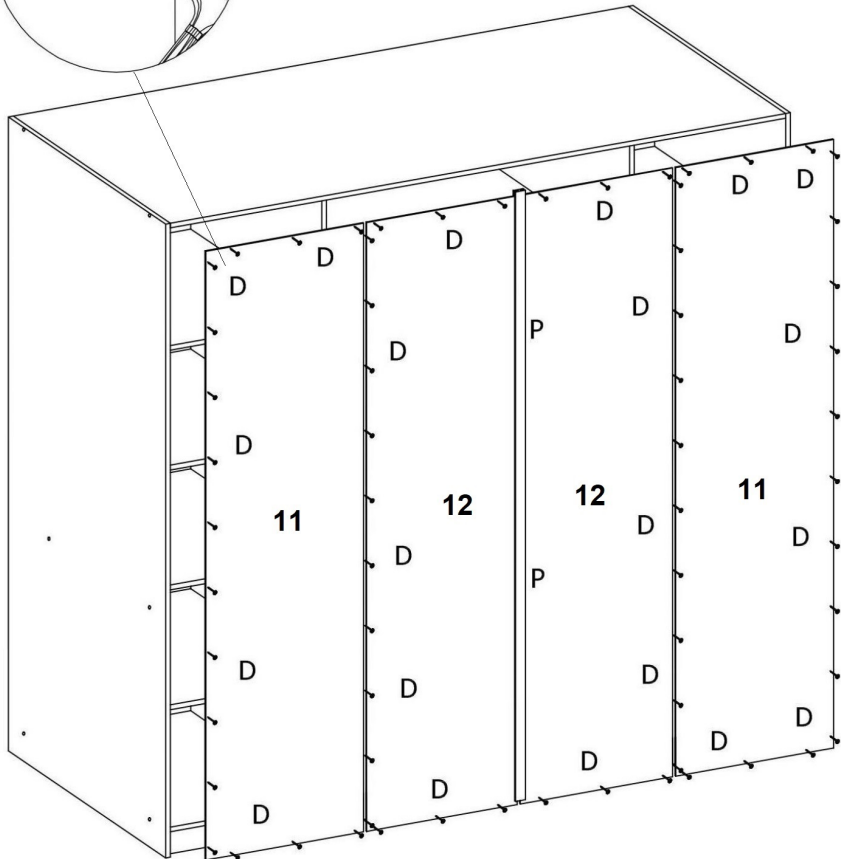
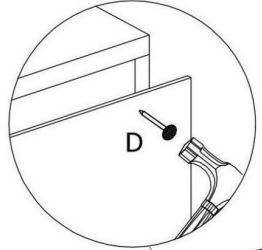
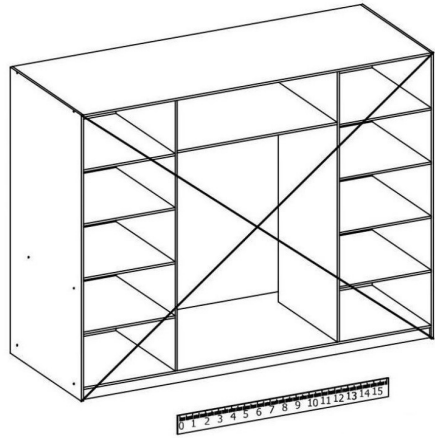
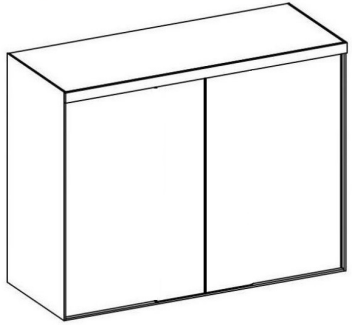
200



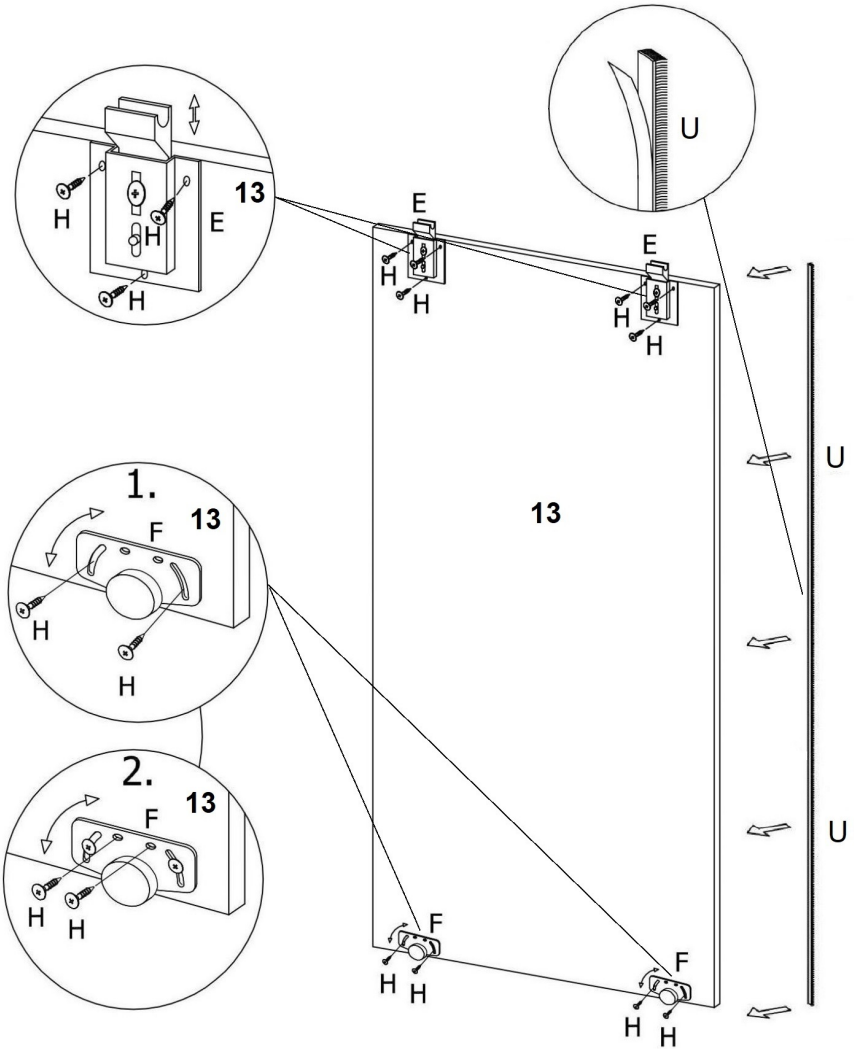
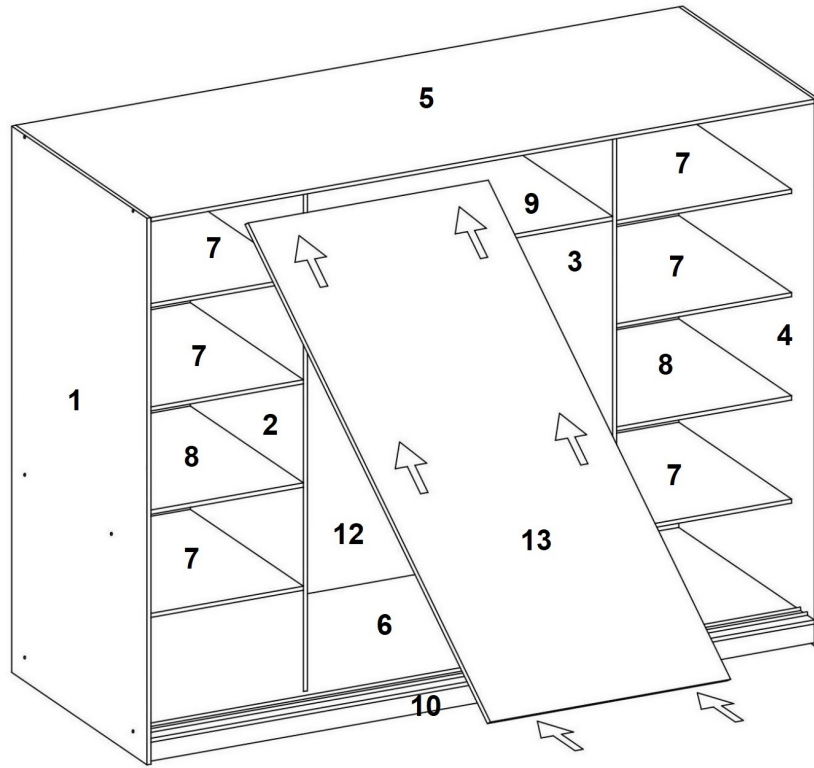
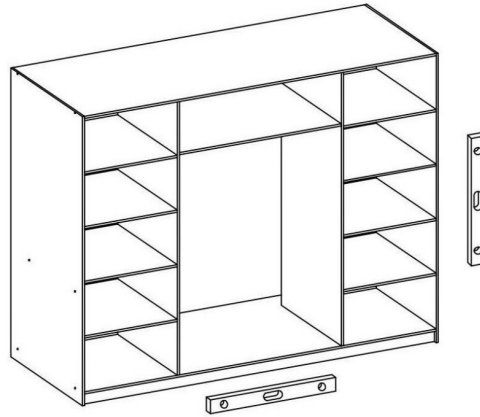
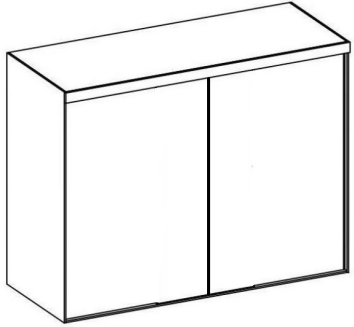
| | | |
|---|---|---|
|  |  |  |
| 28 | 42 | 1 |
|  |  |  |
| 100-110 4.0x13mm | 6 | 6 |
|  |  |  |
| 86 | 2 | 1 |
|  |  |  |
| 8 | 24 | 8 |
|  |  |  |
| 1 | 6 | 2 |
|  |  | |
| 12 | 6 | |



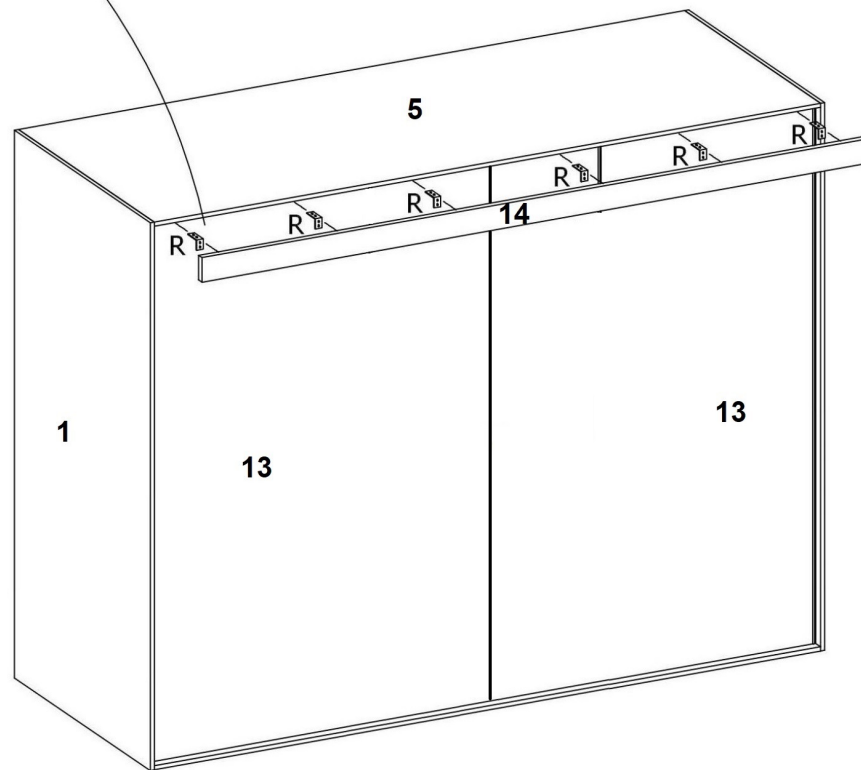
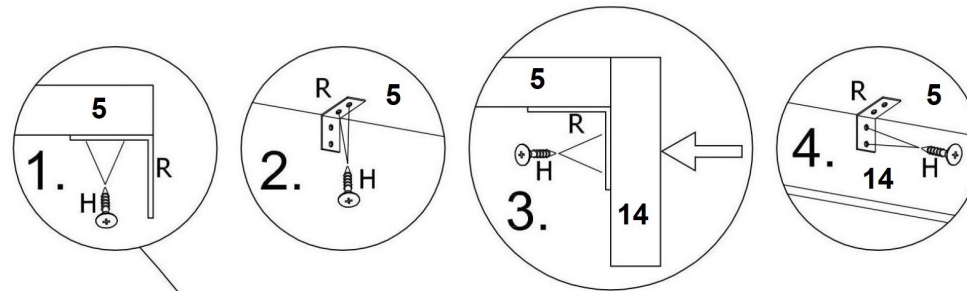
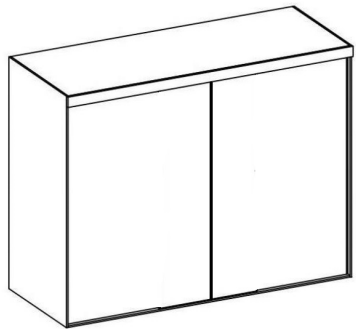
200



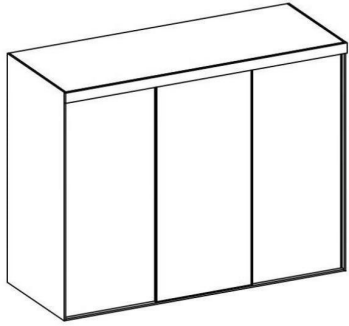
200


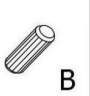





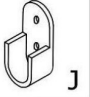
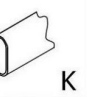
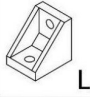
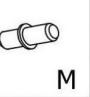
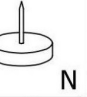

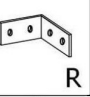
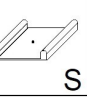

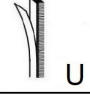


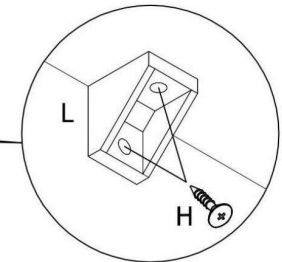
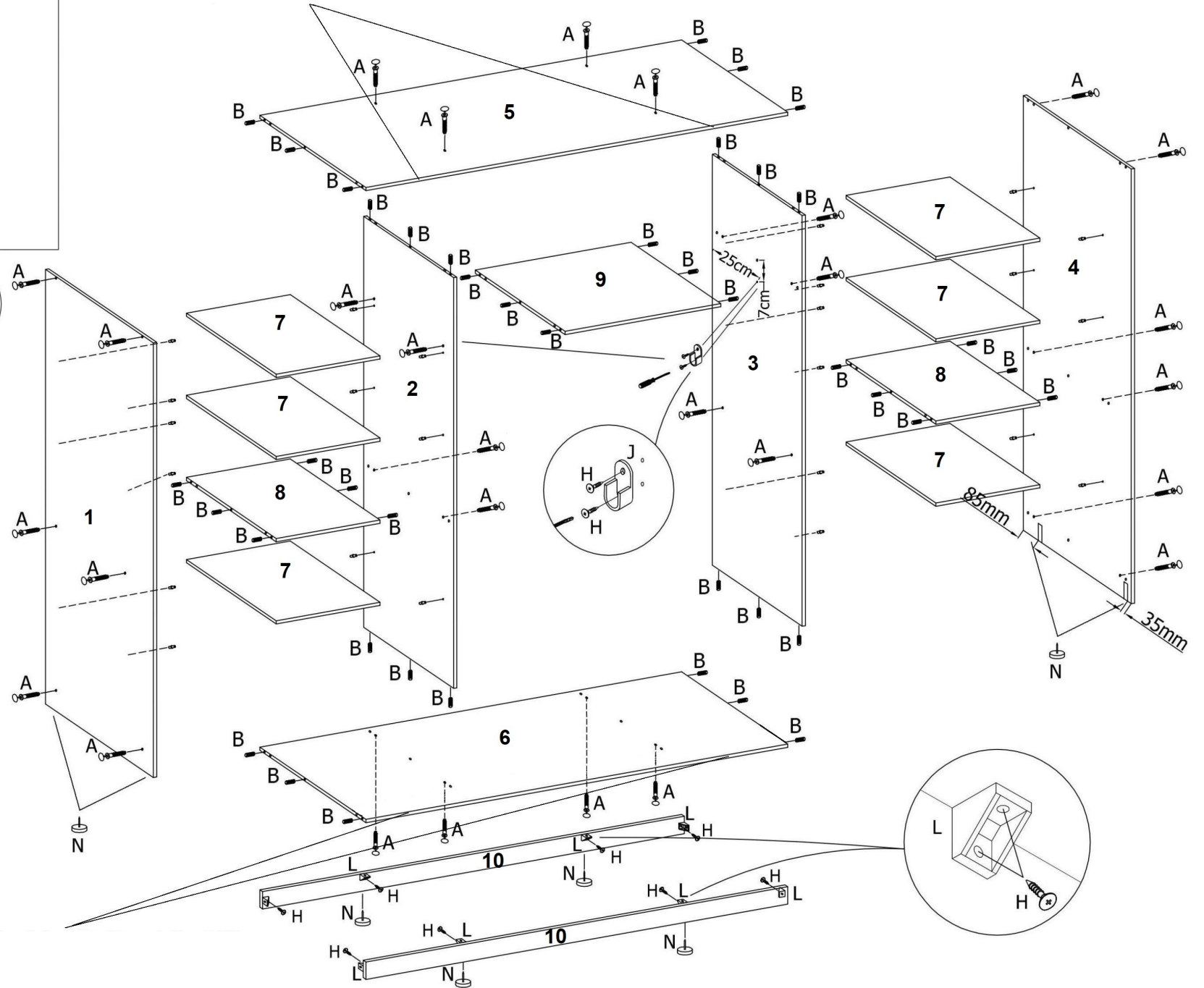
200



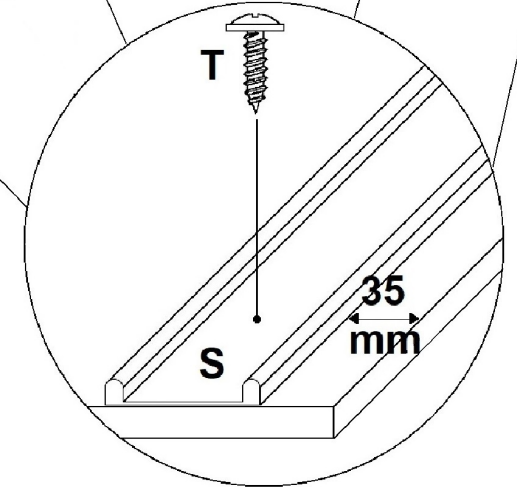
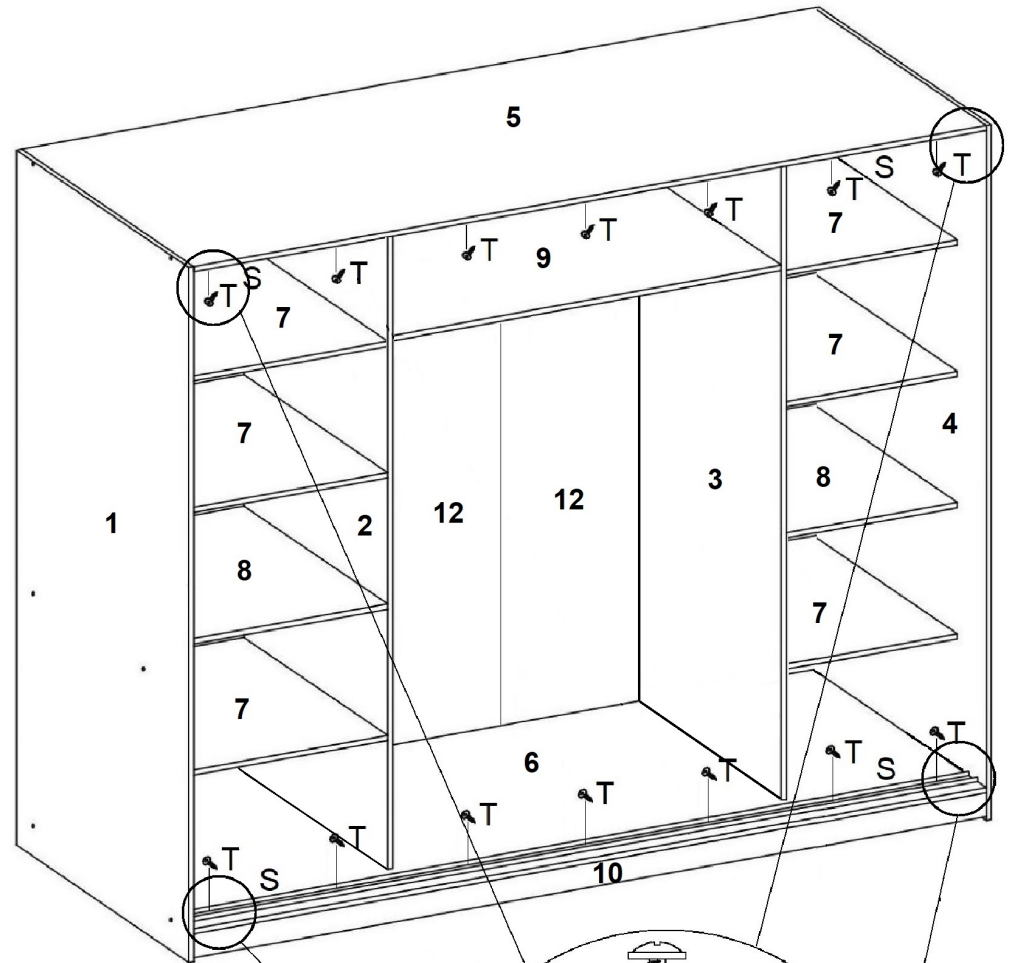
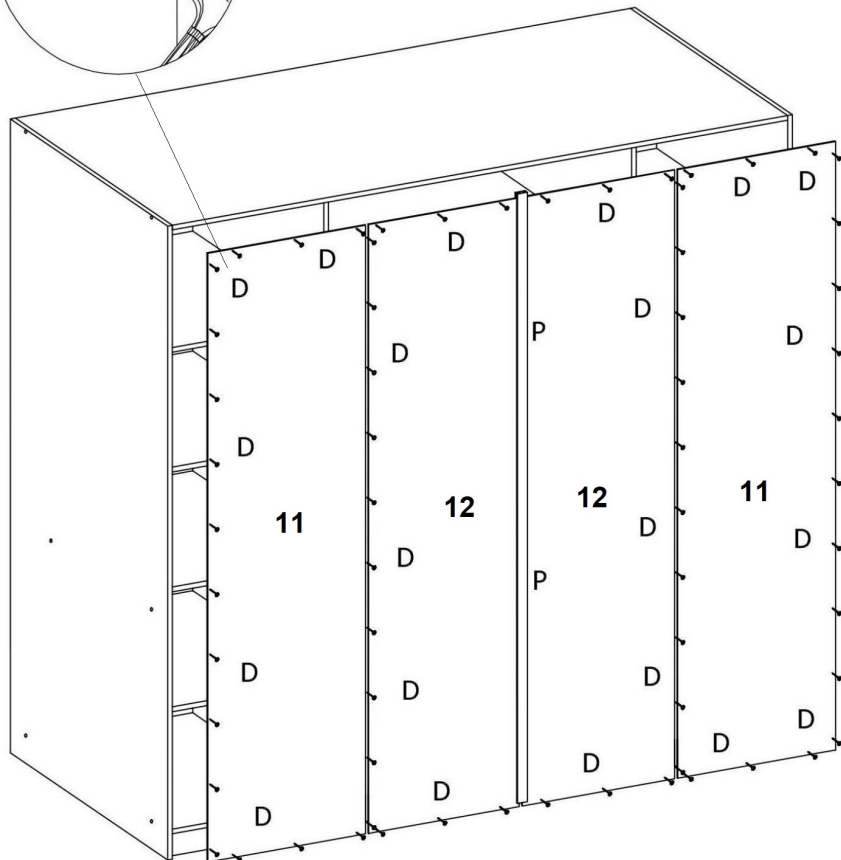
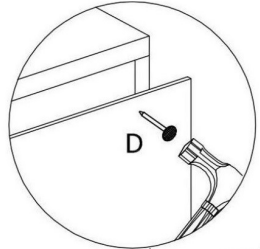
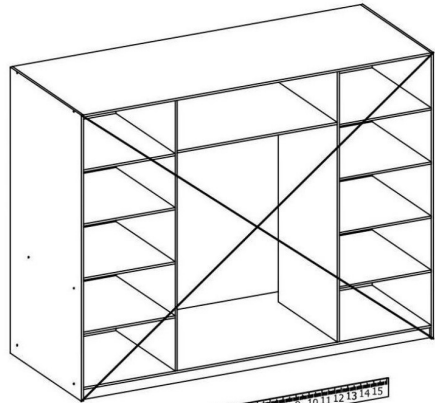
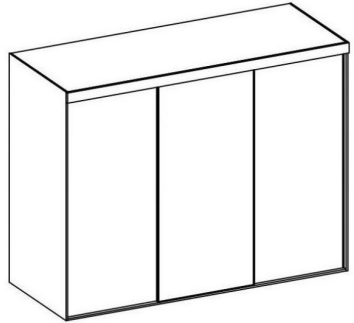
250



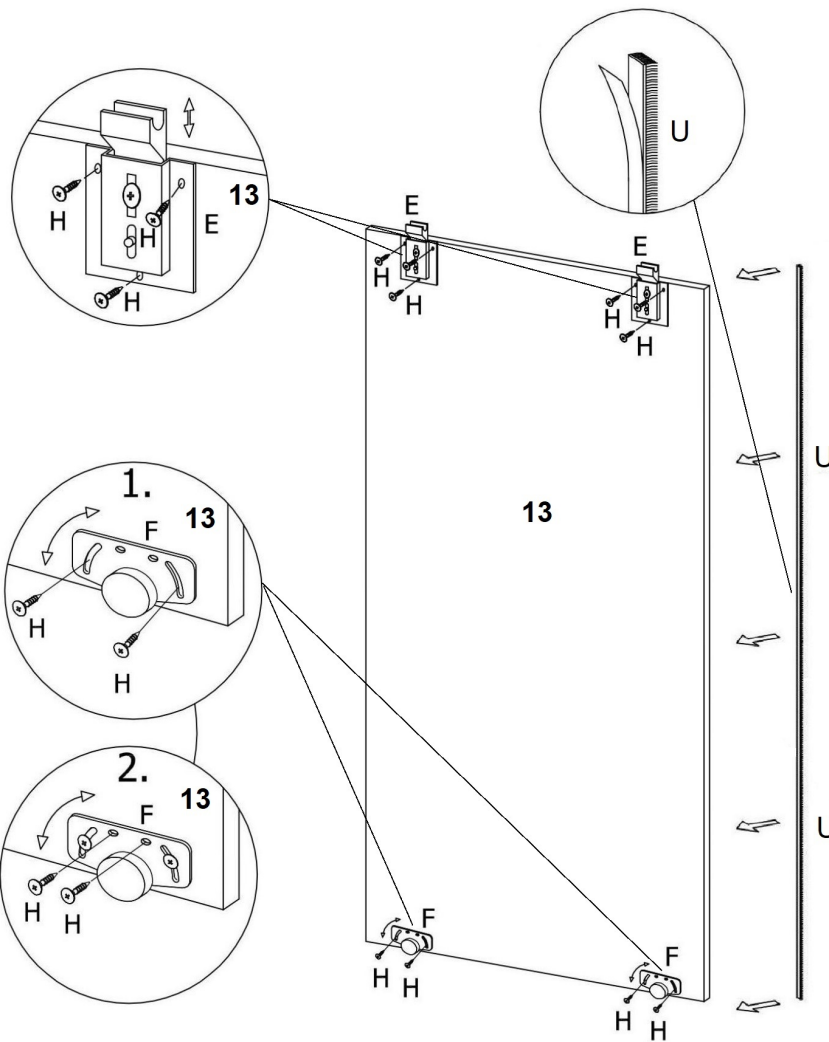
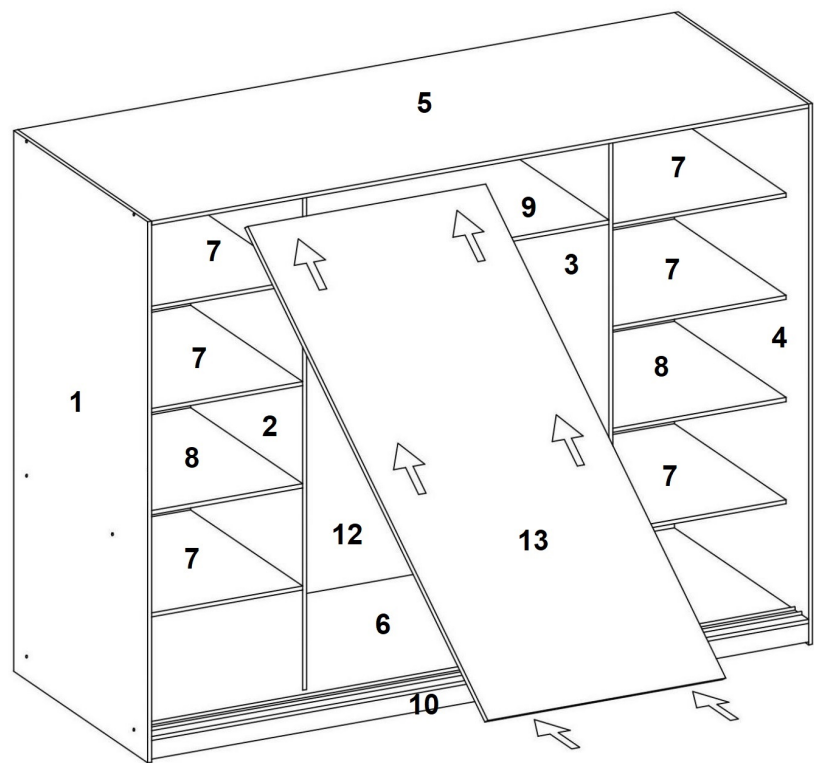
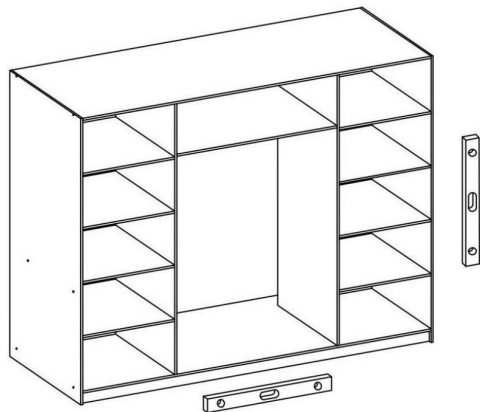
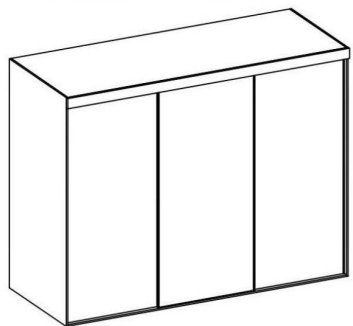
| | | |
|---|---|---|
|  |  |  |
| 28 | 42 | 1 |
|  |  |  |
| 100-110 4.0x13mm | 6 | 6 |
|  |  |  |
| 86 | 2 | 1 |
|  |  |  |
| 8 | 24 | 8 |
|  |  |  |
| 1 | 6 | 2 |
|  |  | |
| 14 | 6 | |



250



250



250

