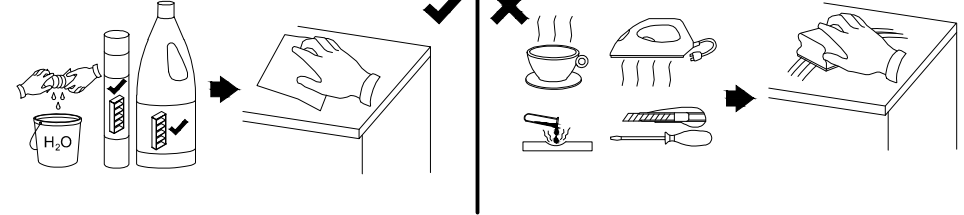
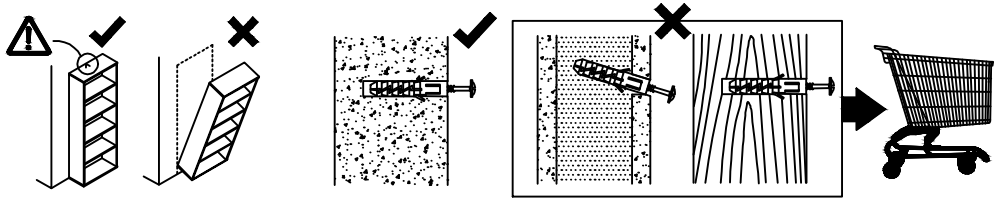
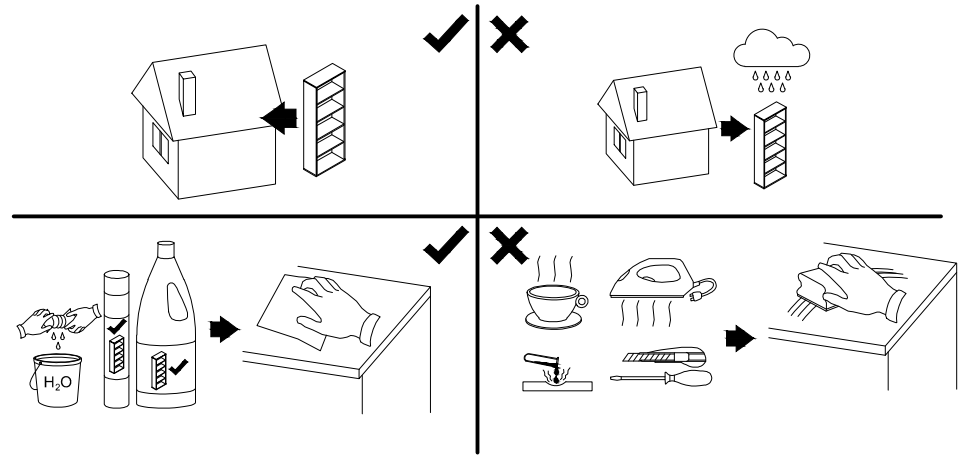
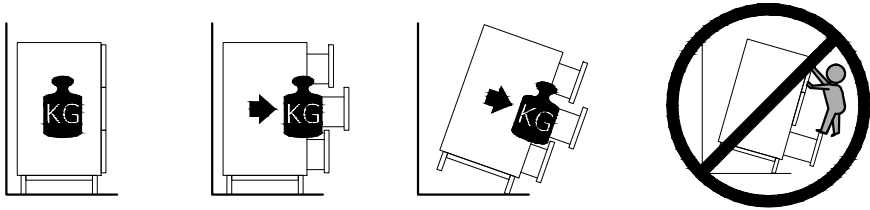
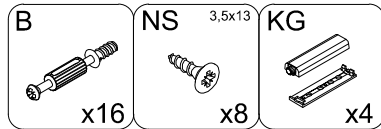
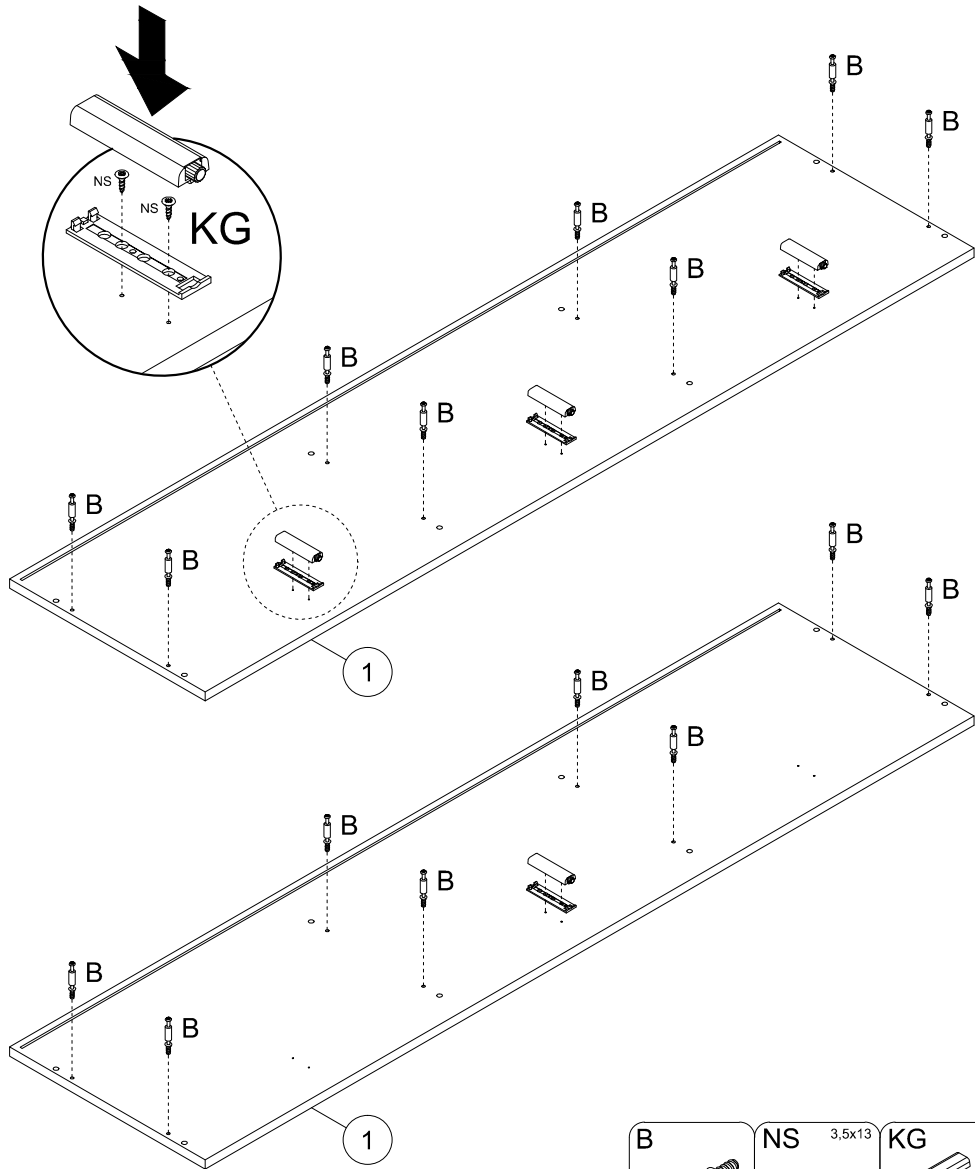
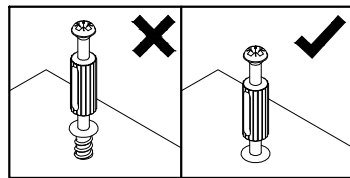
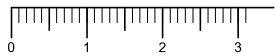
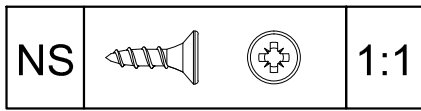


A	8x32	B	x44	C	x28	KG	x5	N	3x20	x19
ND	3,5x16	NS	3,5x13	NF	4,5x16	PPW	300mm	TA	x6	x1
W+H2	x4	X	x16	Z	x22	ZC	x10	ZZ	x8	

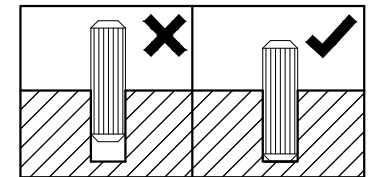
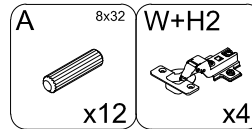
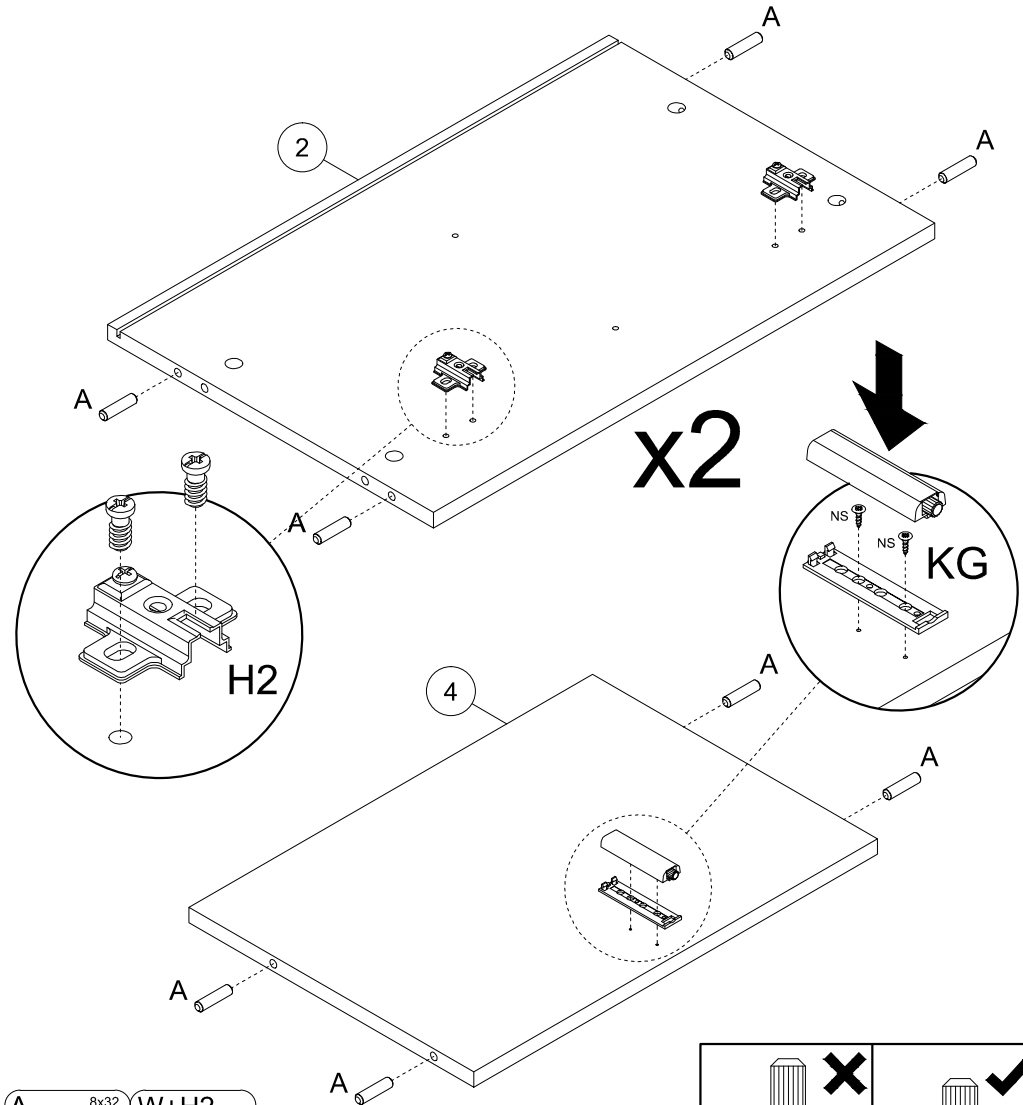
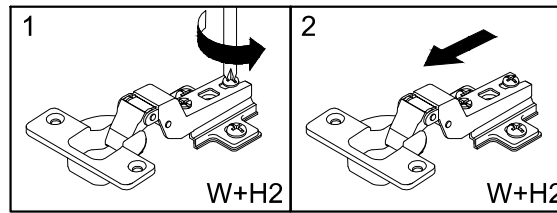
1	1534	390	16	x2	2 / 3
2	600	390	16	x2	2 / 3
3L	600	341	16	x1	2 / 3
3R	600	341	16	x1	2 / 3
4	483	341	16	x1	3 / 3
5	493	335	16	x2	2 / 3
6L	300	150	16	x3	3 / 3
6R	300	150	16	x3	3 / 3
7	427	130	16	x3	3 / 3
8	305	439	2.5	x3	3 / 3
9	496	196	16	x3	3 / 3
10	594	496	16	x1	3 / 3
11	594	496	16	x1	3 / 3
12	506	612	2.5	x2	3 / 3
13	498	612	2.5	x1	3 / 3



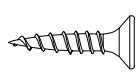

1

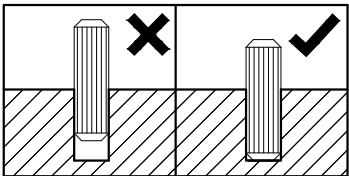
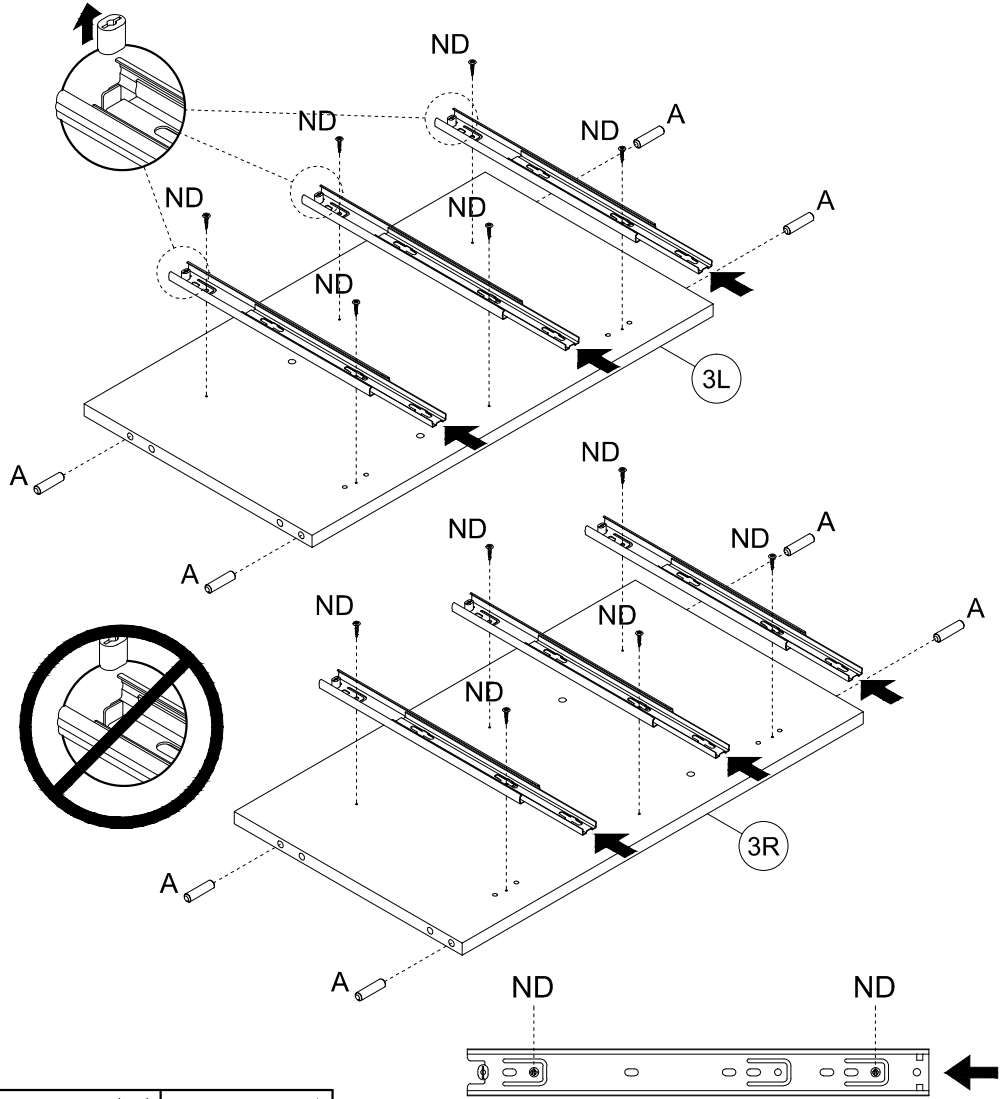
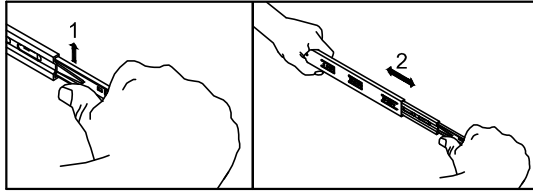
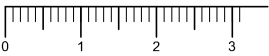



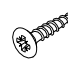

2



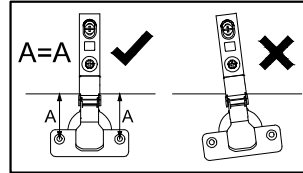
3

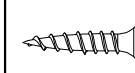

ND			1:1
----	--	--	-----

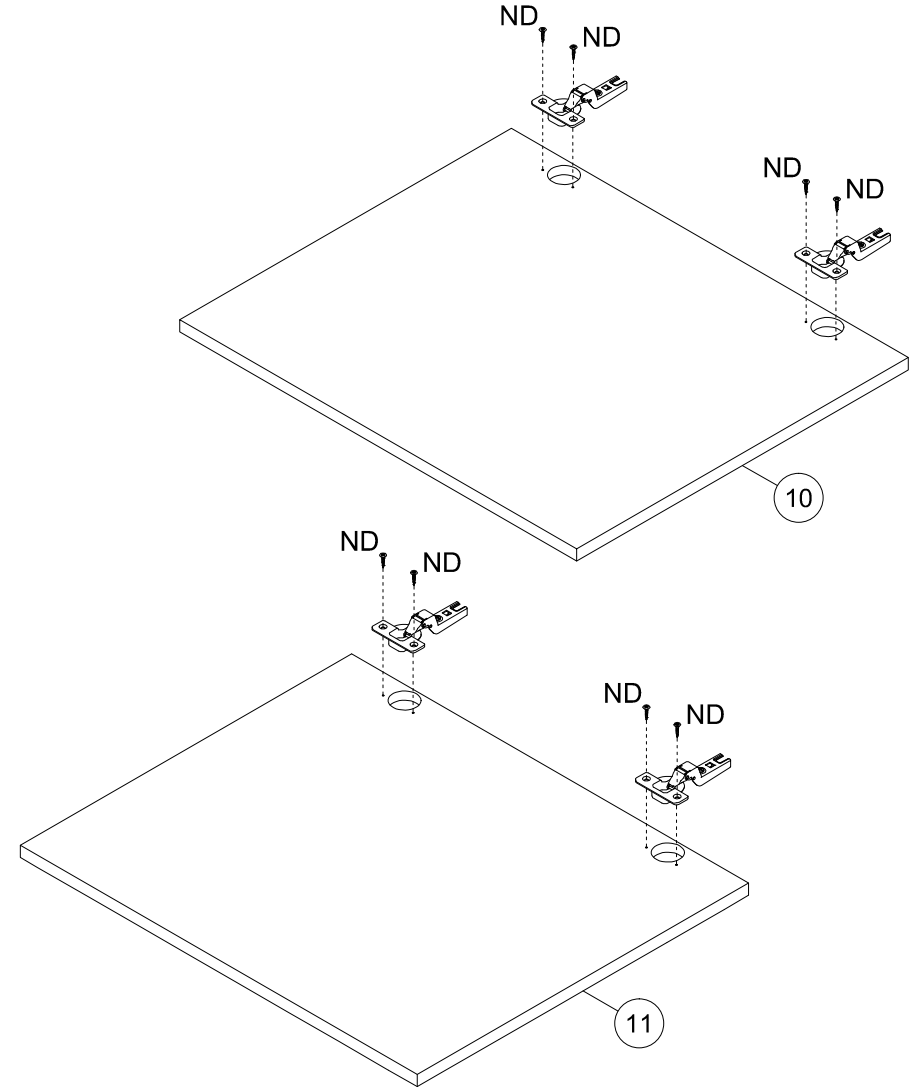


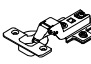
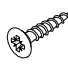
A	8x32	ND	3,5x16	PPW	300mm
					
x8		x12		x6	

4

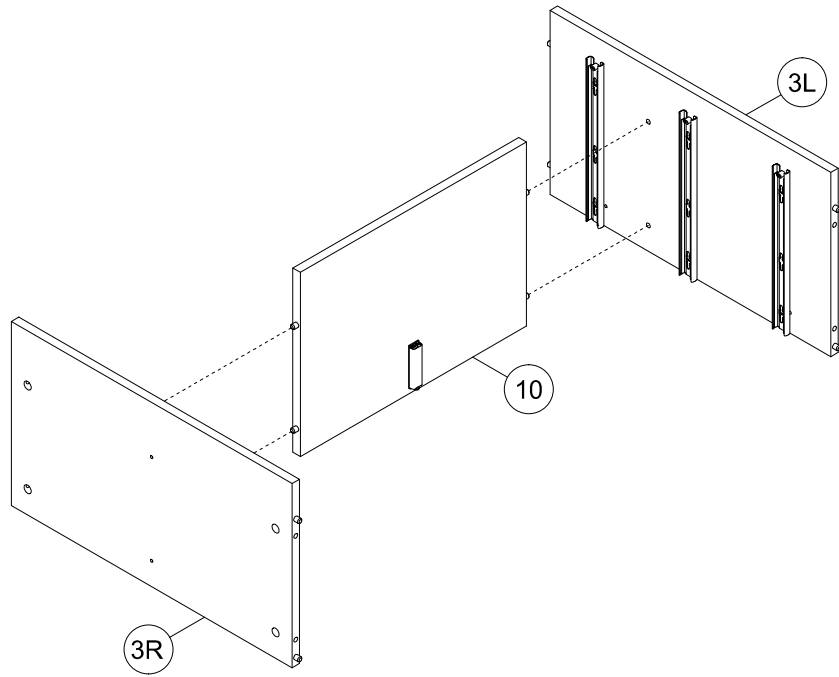


ND			1:1
----	--	--	-----

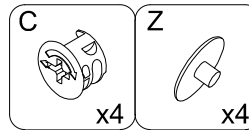
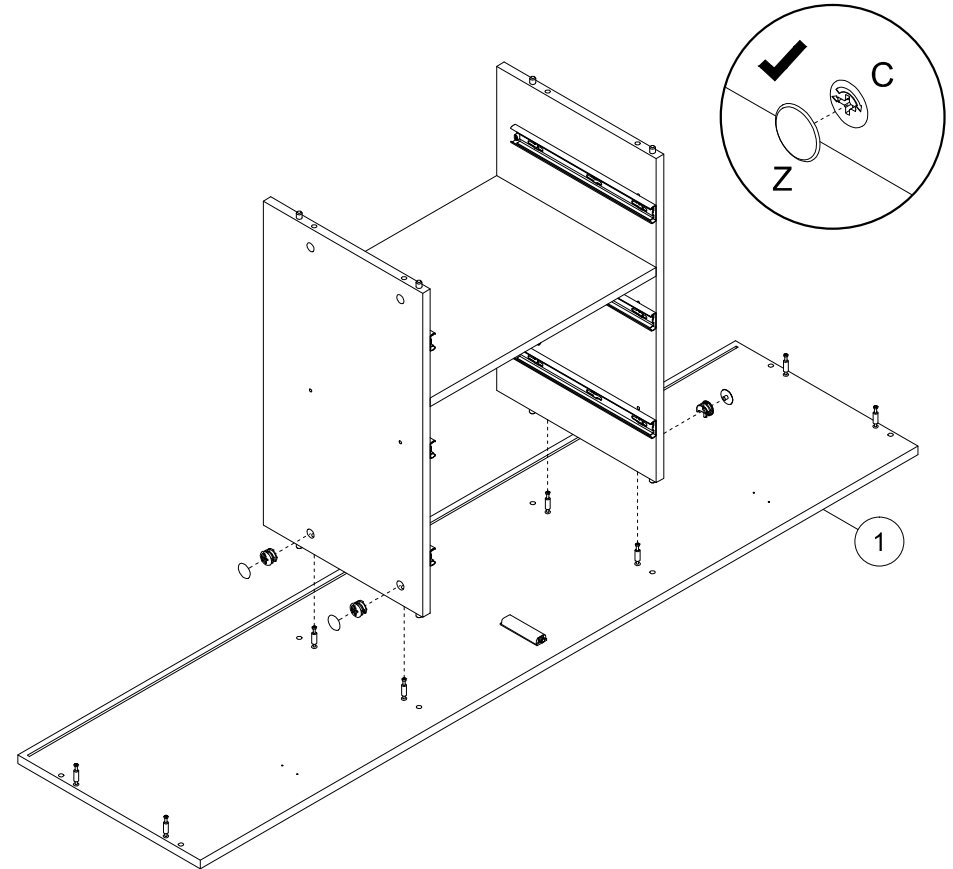
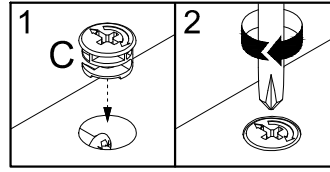


W+H2	ND	3,5x16
		
x4	x8	

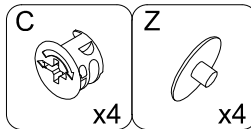
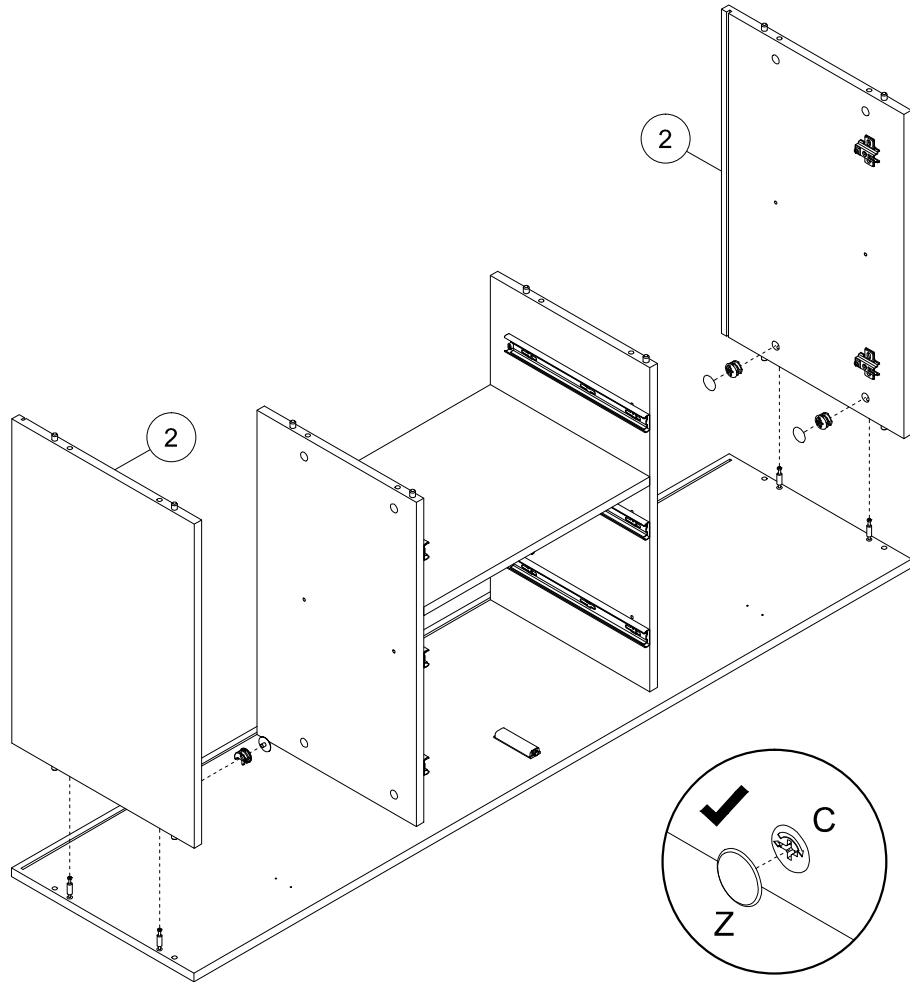
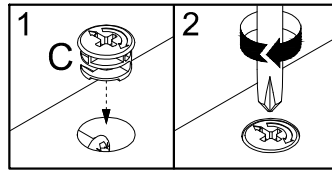
5



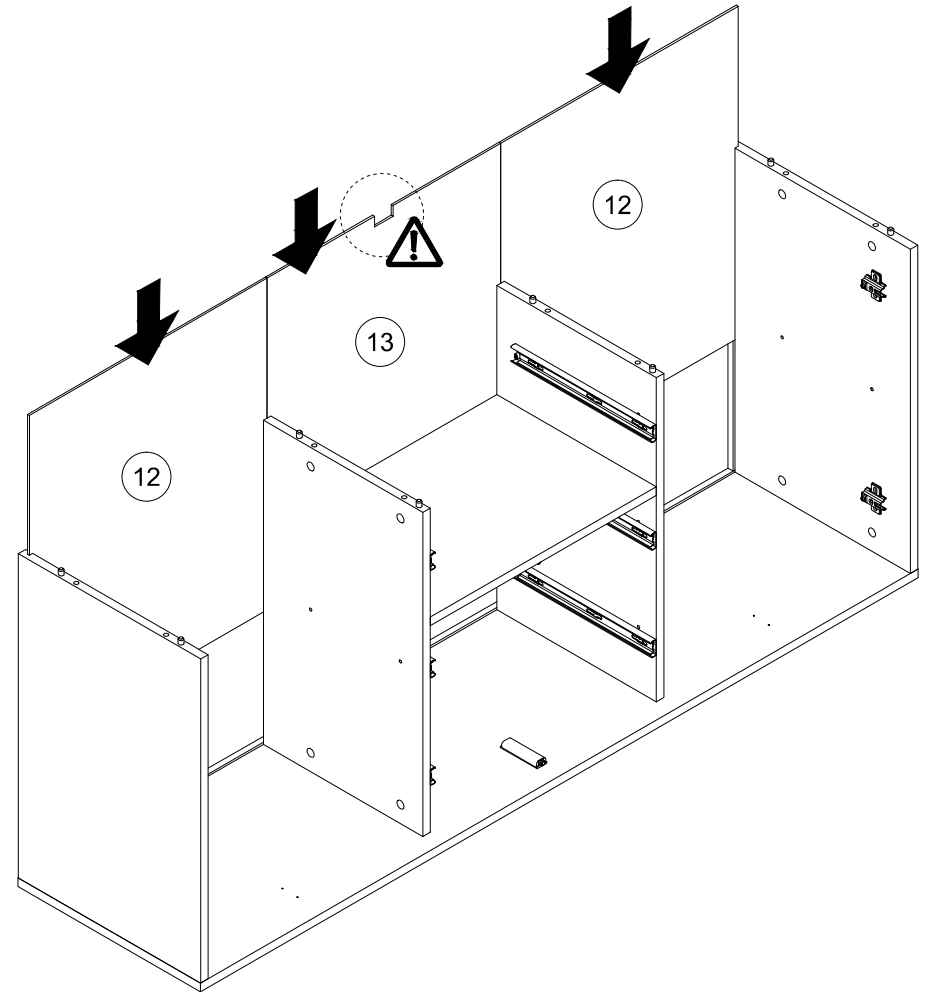
6



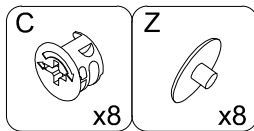
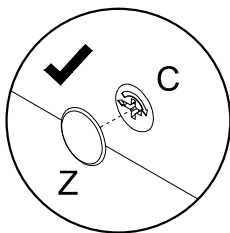
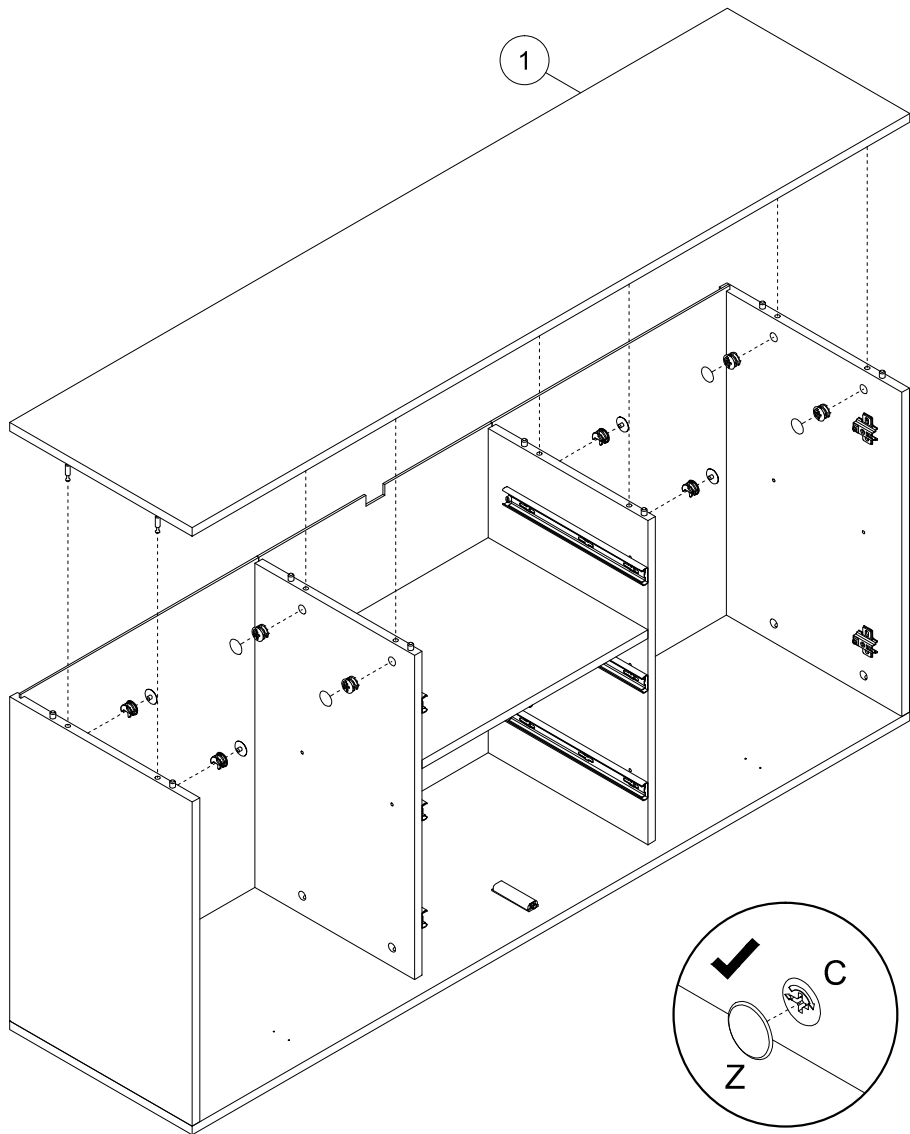
7



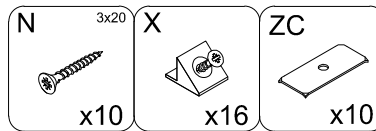
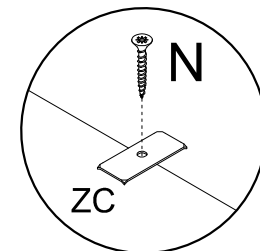
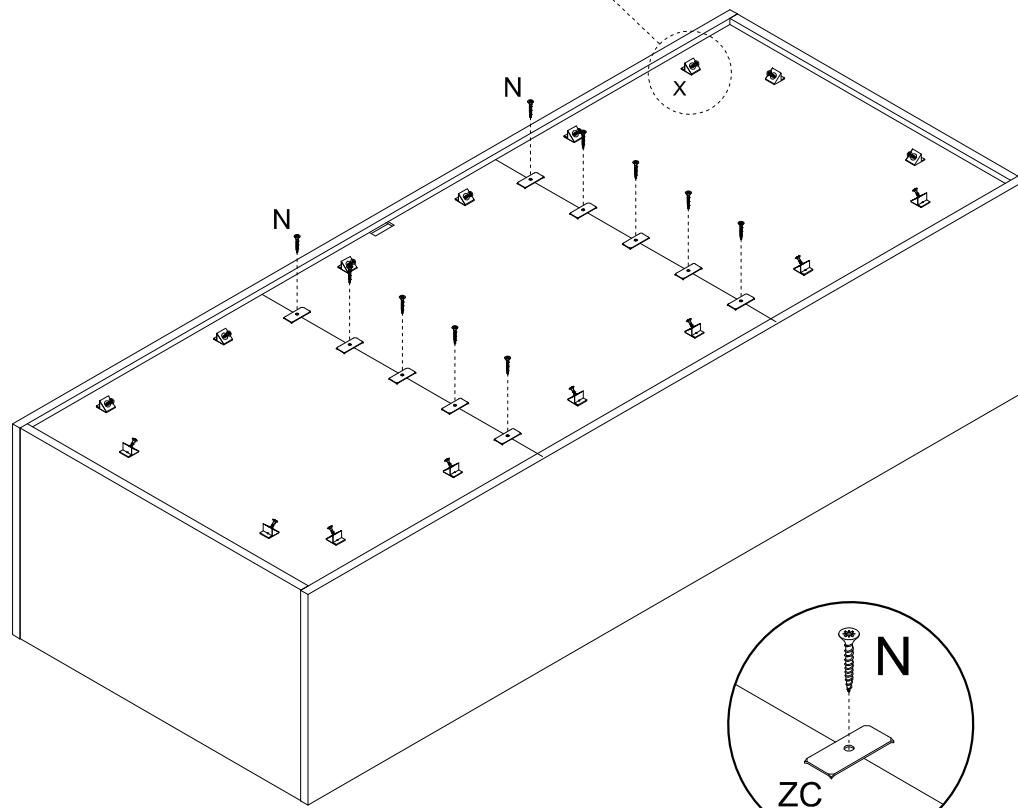
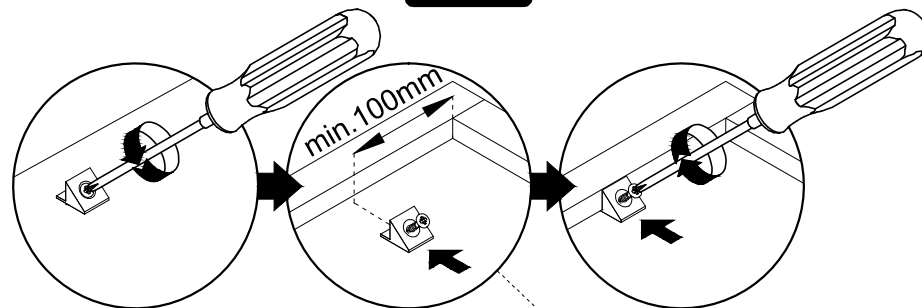
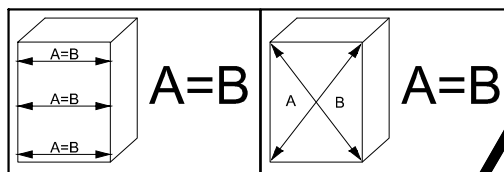
8



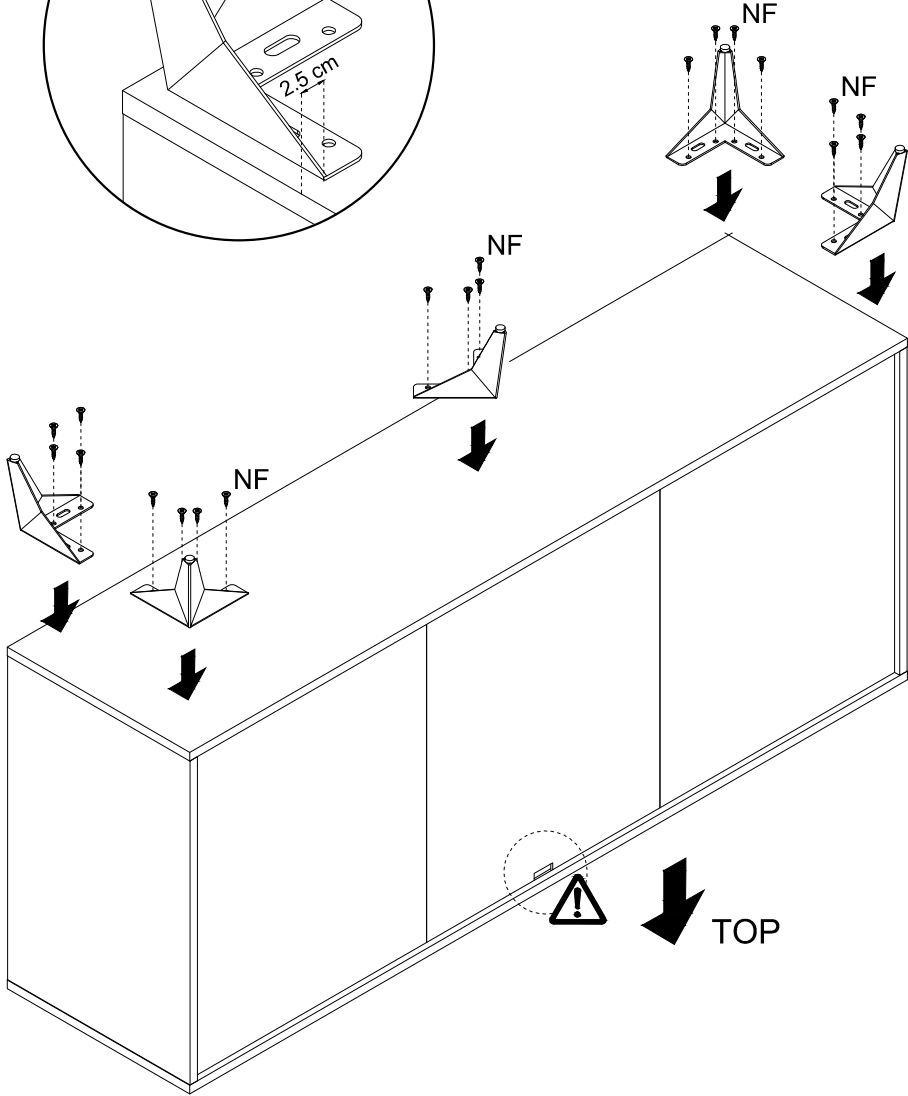
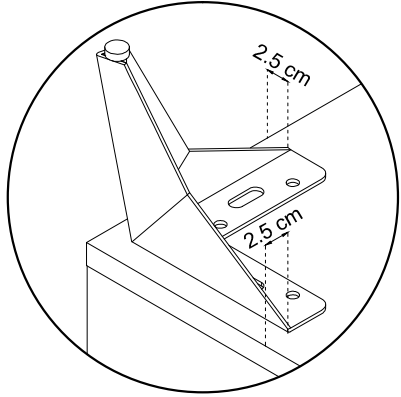
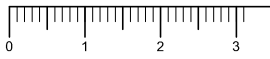
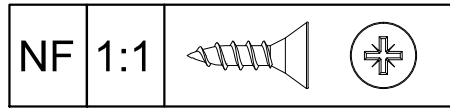
9



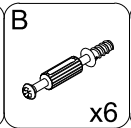
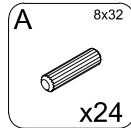
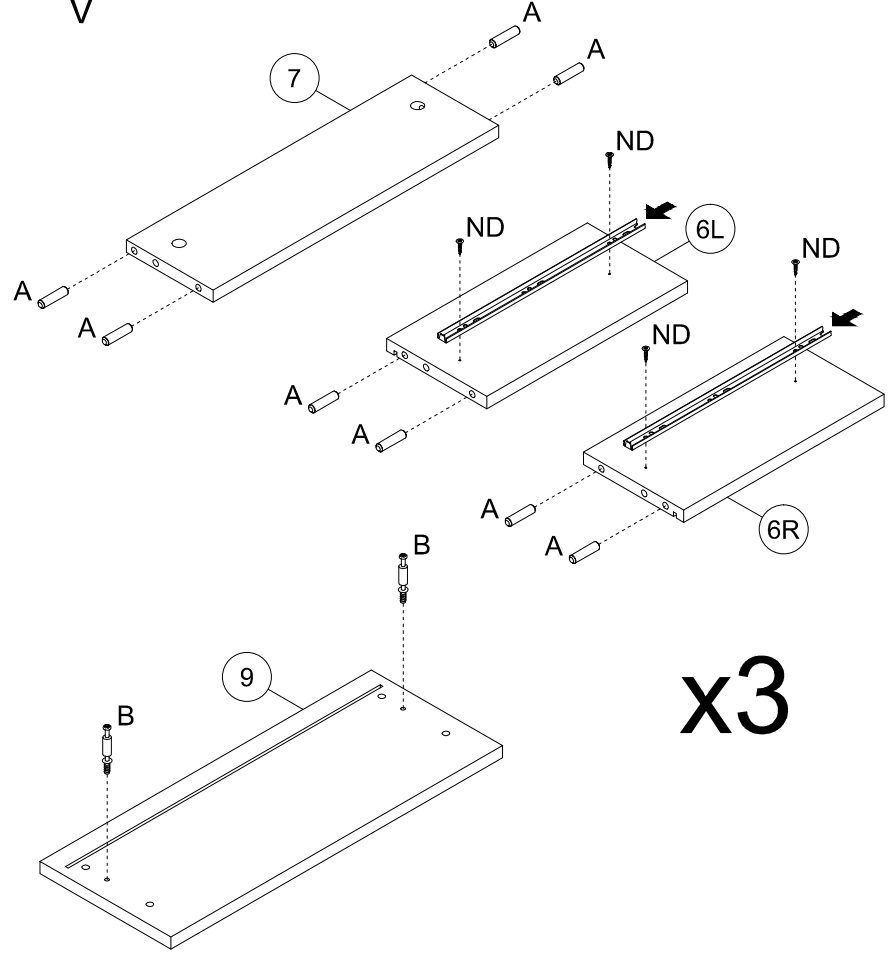
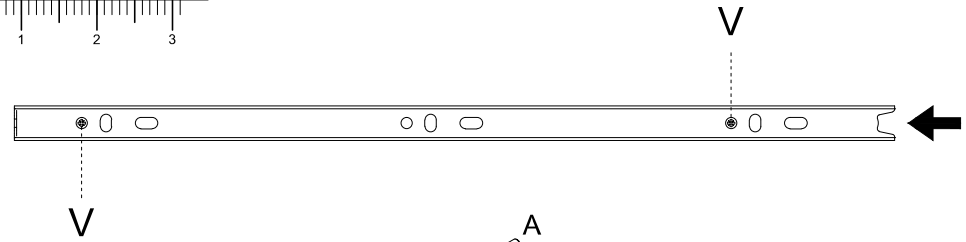
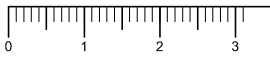
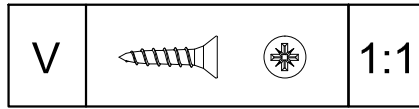
10



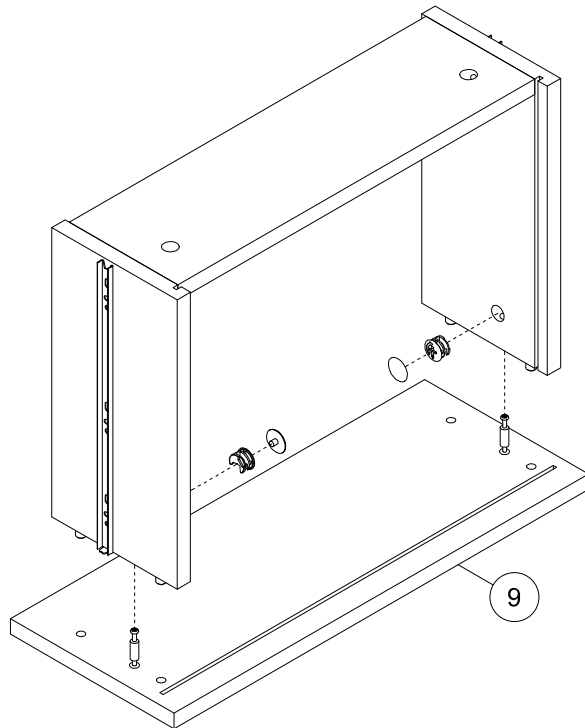
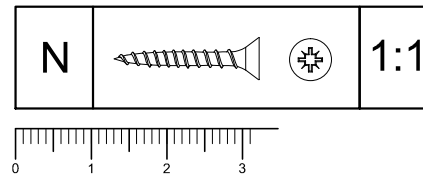
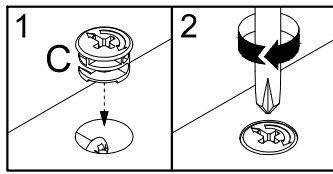
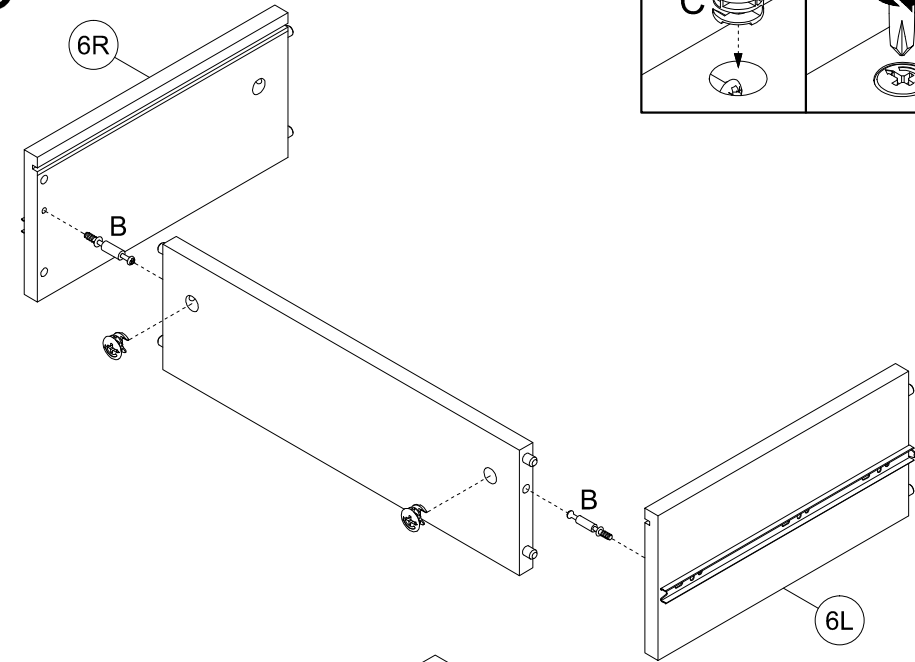
11



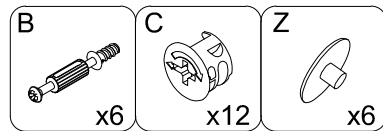
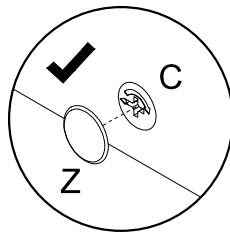
12



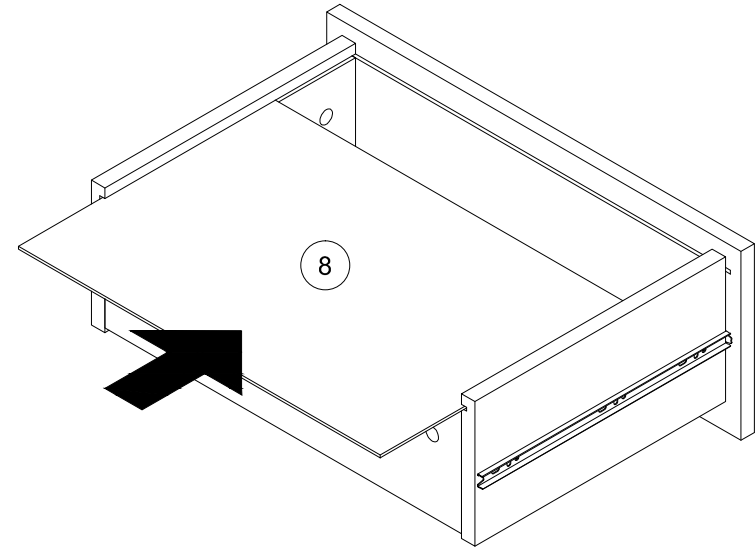
13



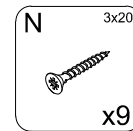
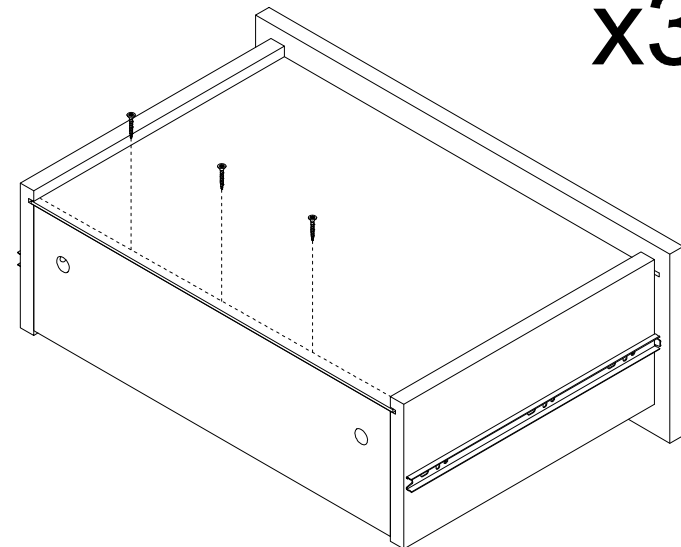
x3



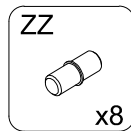
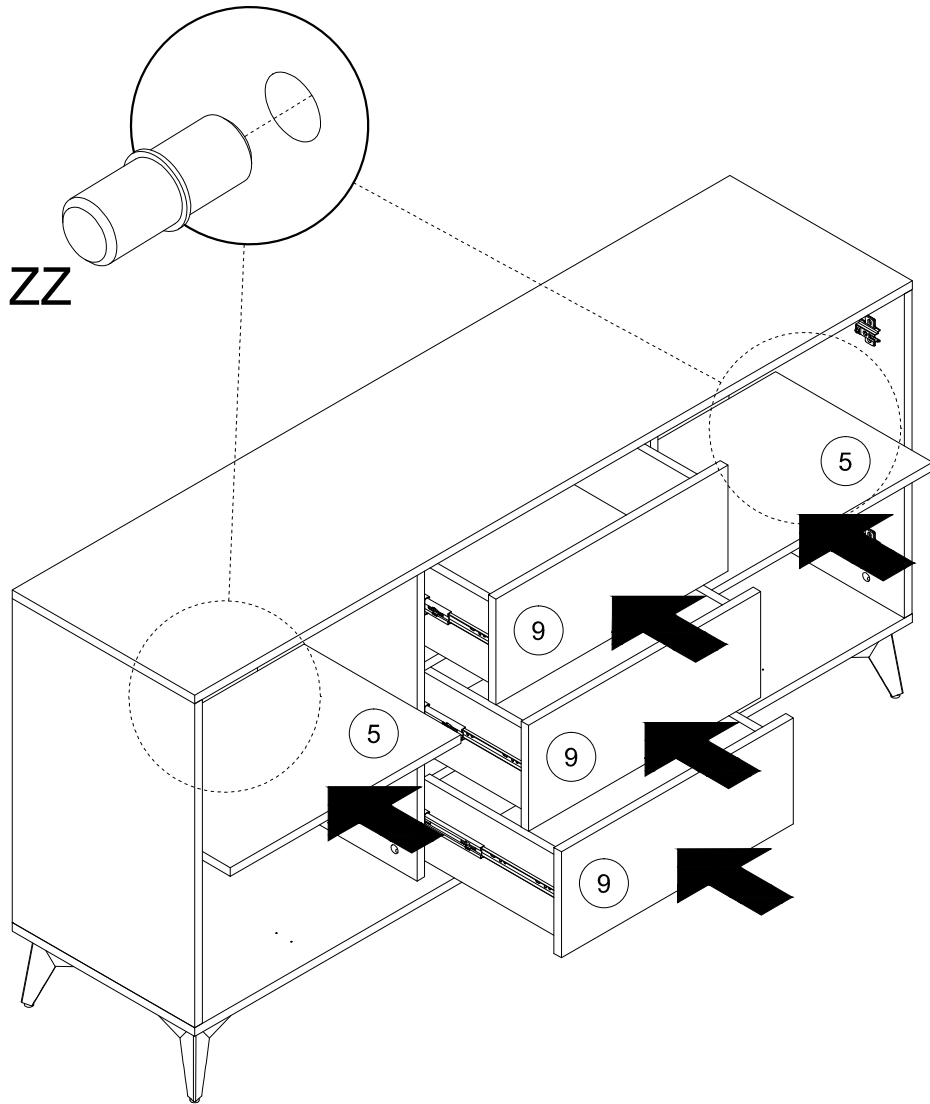
14



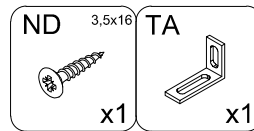
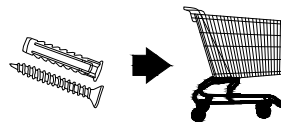
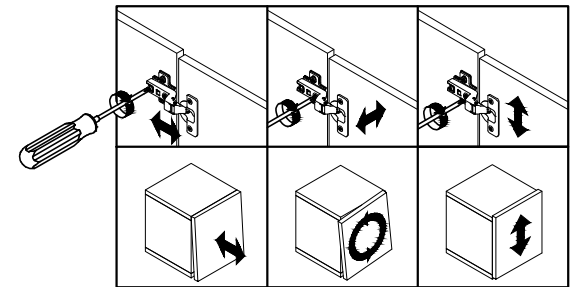
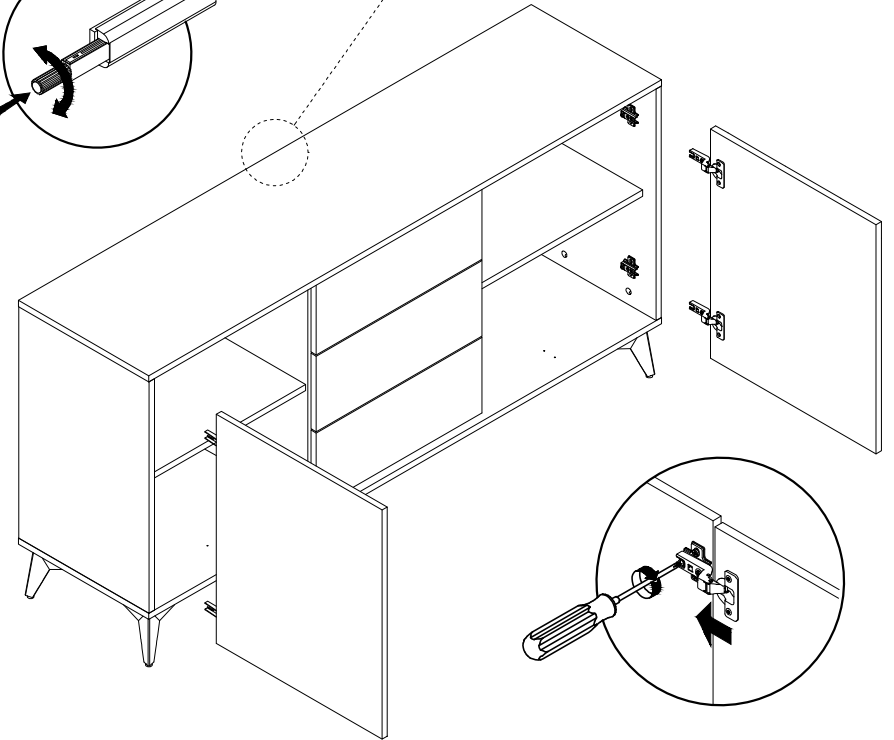
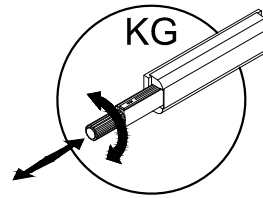
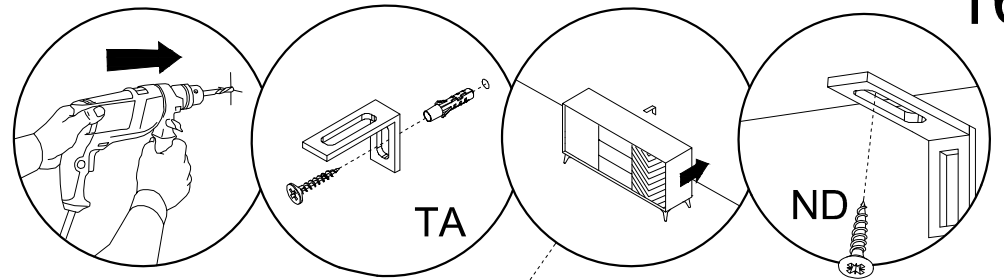
x3

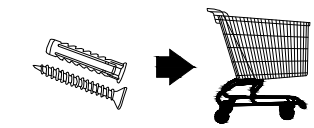
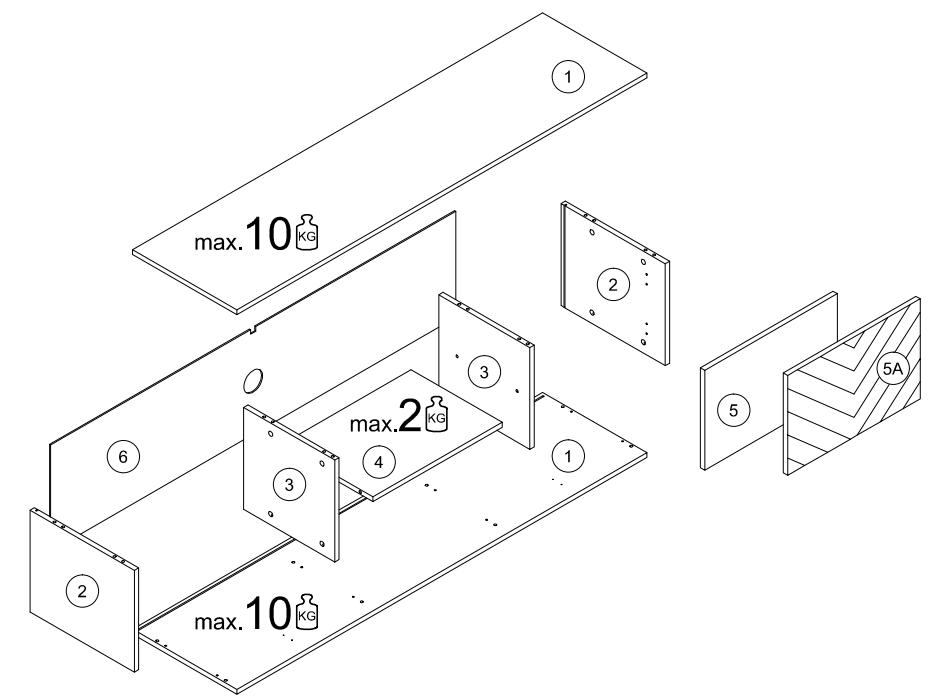
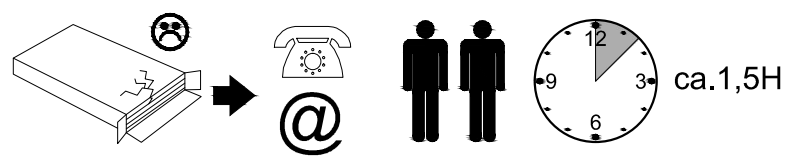
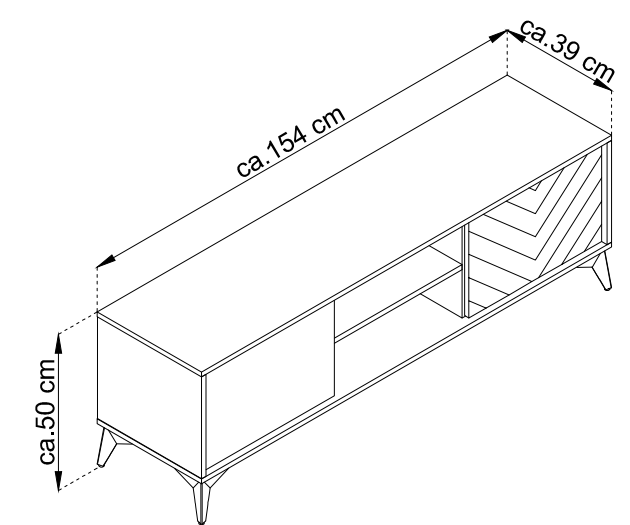
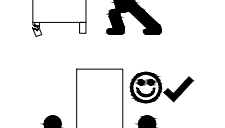
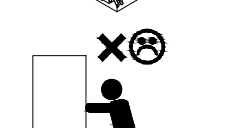
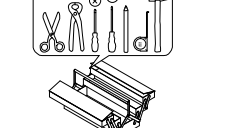
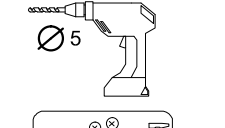
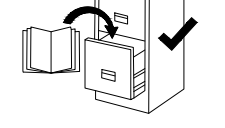
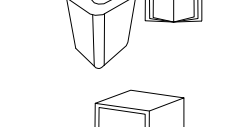
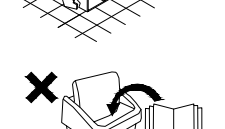
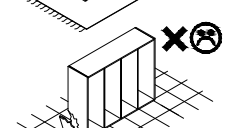
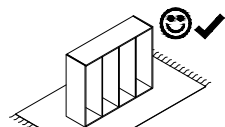
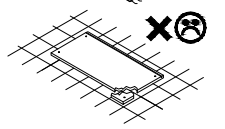
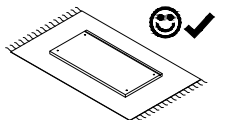


15



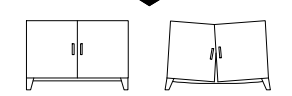
16



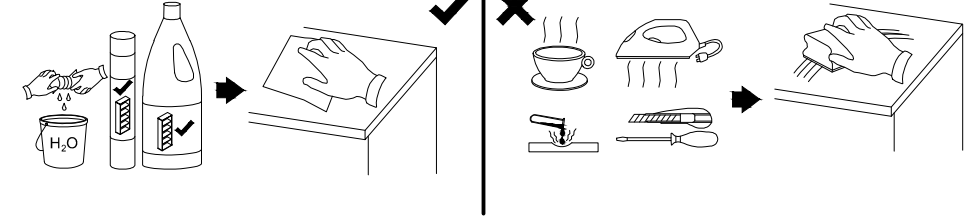
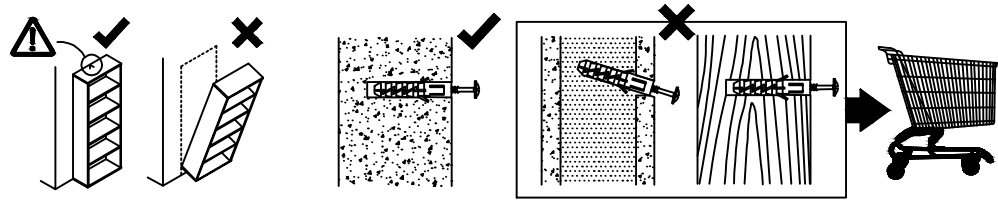
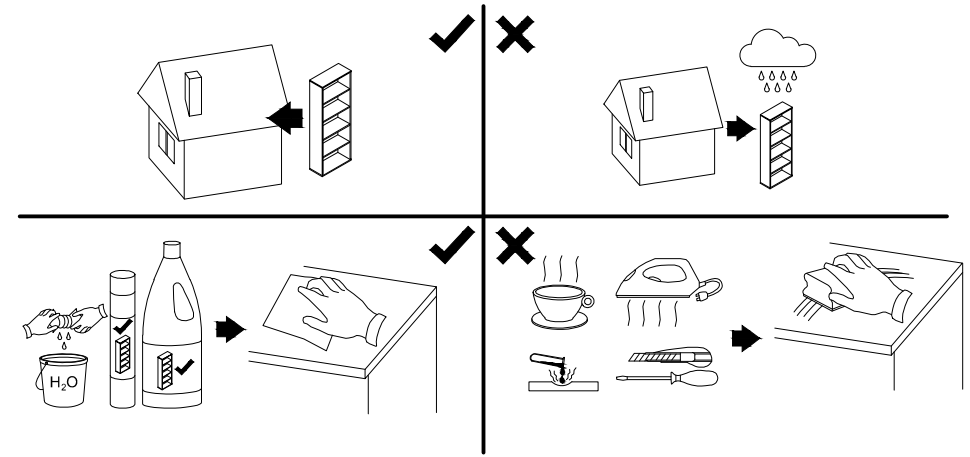
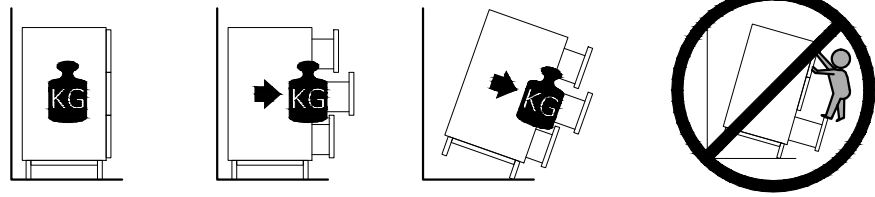


A	8x32	B	x16	C	x16	KG	x2
N	3x20	ND	3,5x16	NS	3,5x13	NF	4,5x16
TA	x1	W+H2	x4	X	x14	Z	x16

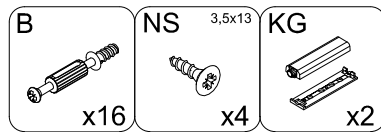
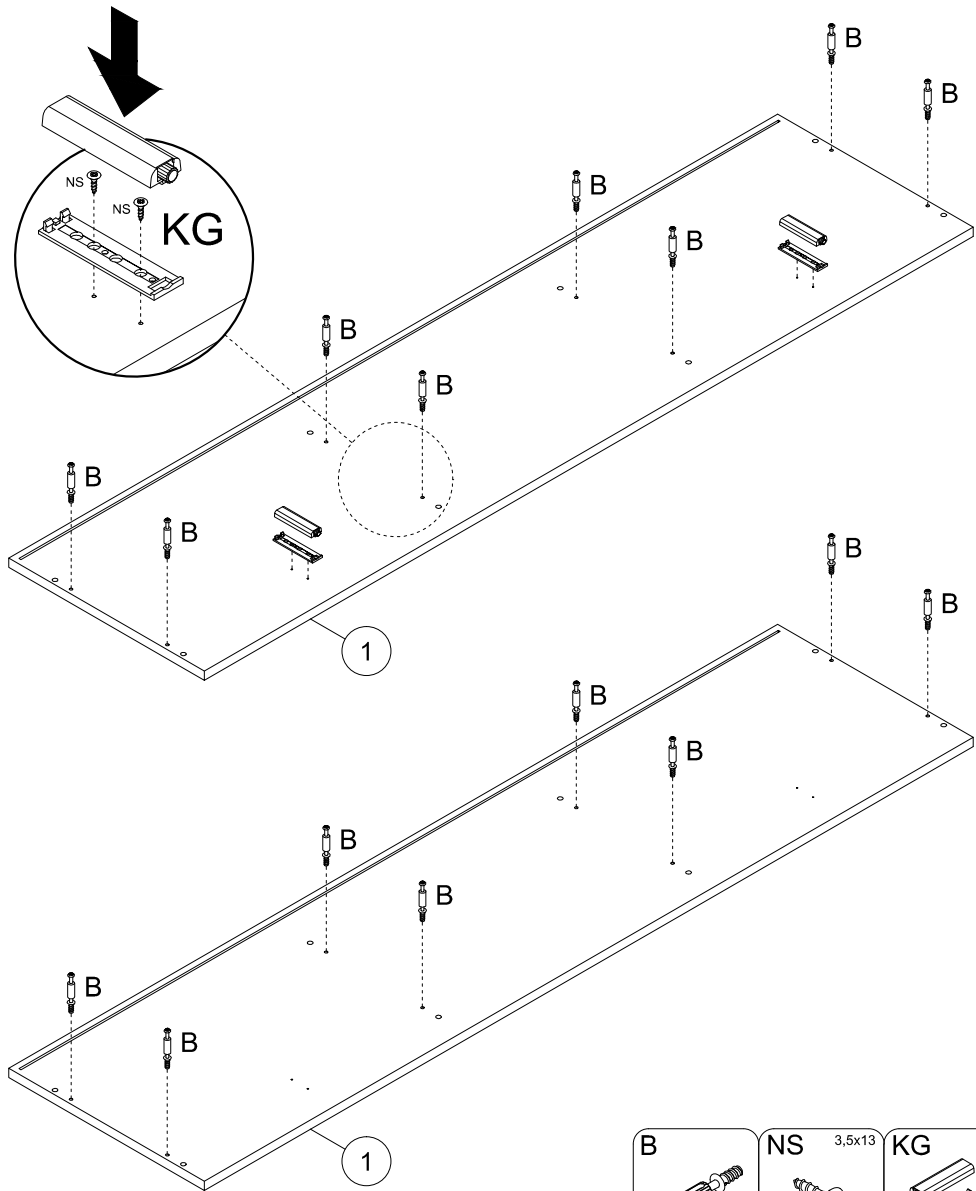
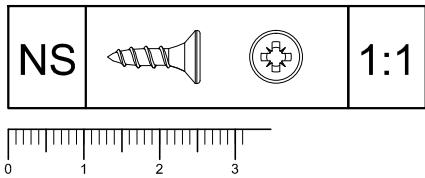
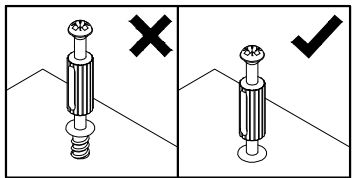
max. KG = 25 kg.



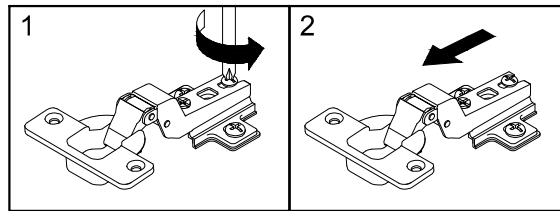
1	1534	390	16	x2	2 / 2
2	330	390	16	x2	2 / 2
3	330	341	16	x2	2 / 2
4	483	341	16	x1	2 / 2
5	496	324	16	x1	2 / 2
5A	496	324	16	x1	2 / 2
6	1513	342	3	x1	2 / 2



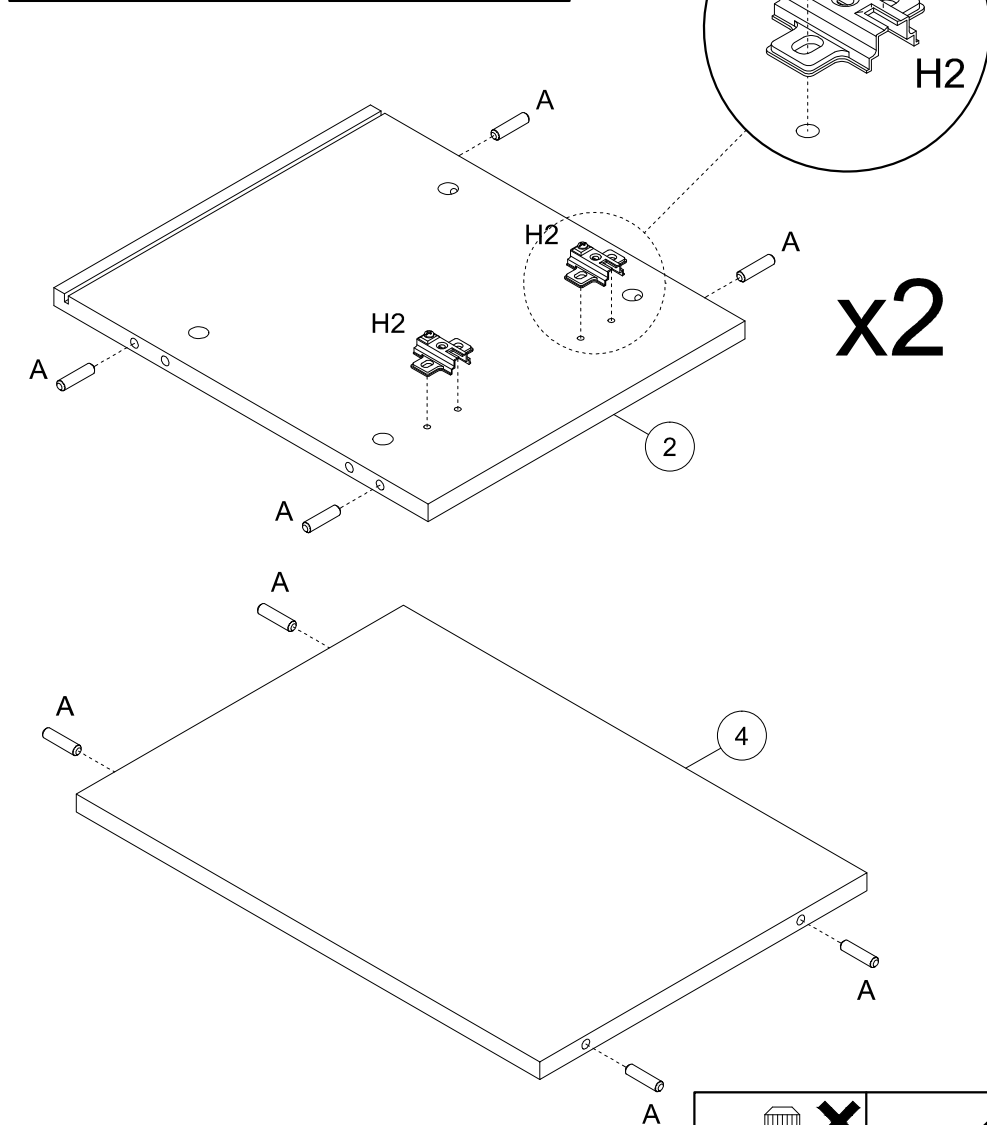
1



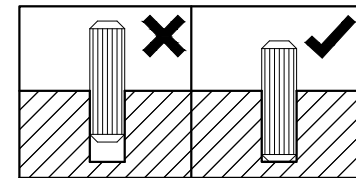
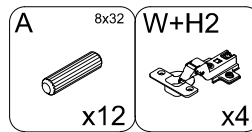
1



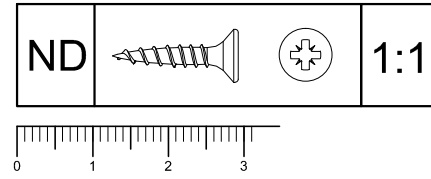
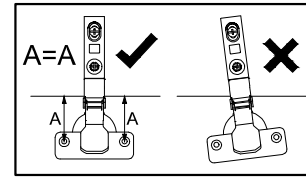
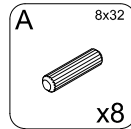
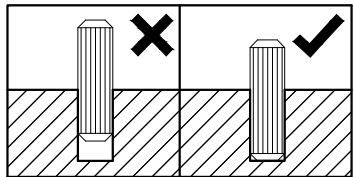
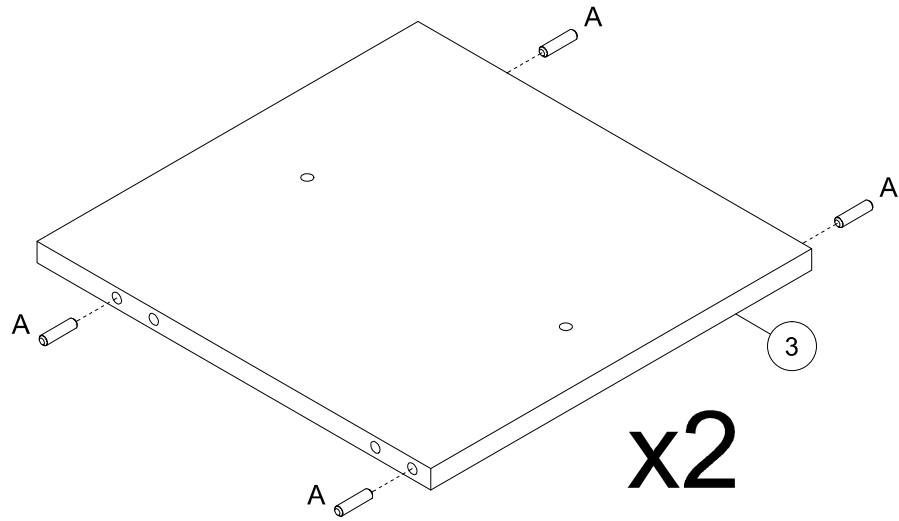
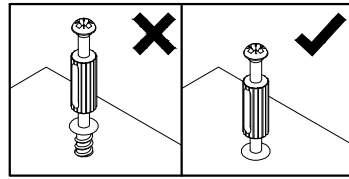
2



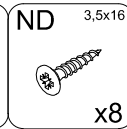
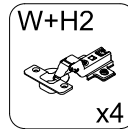
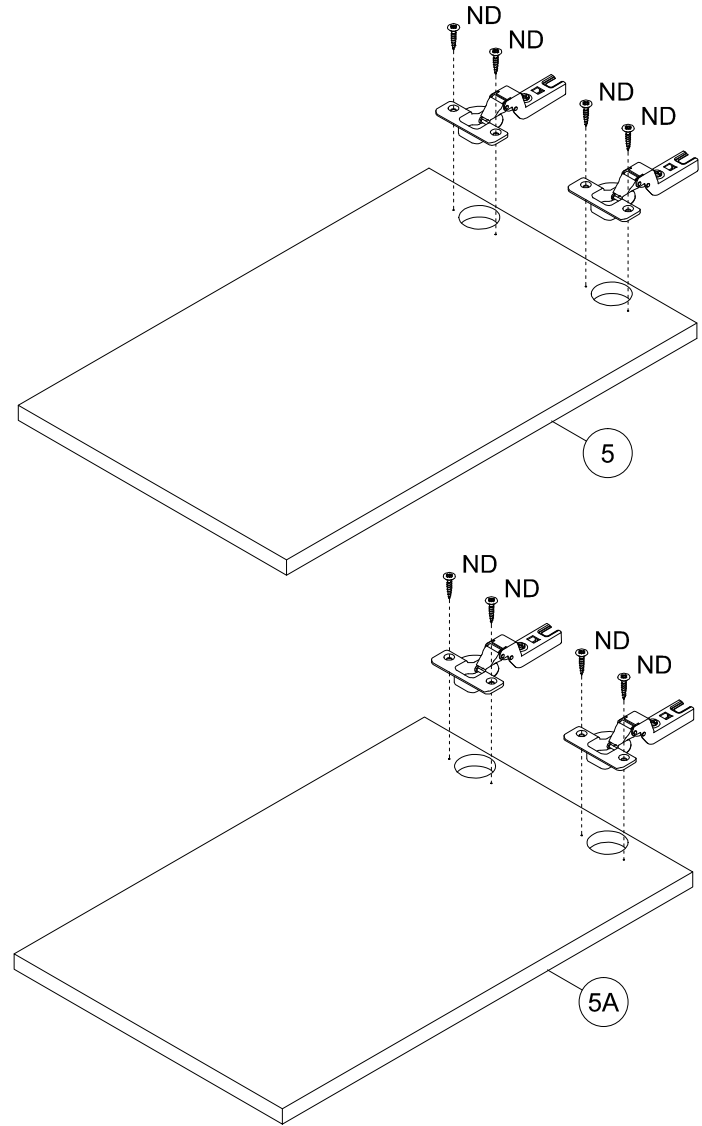
x2



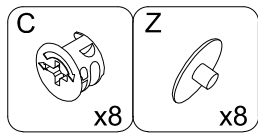
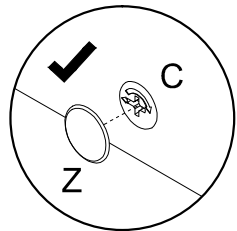
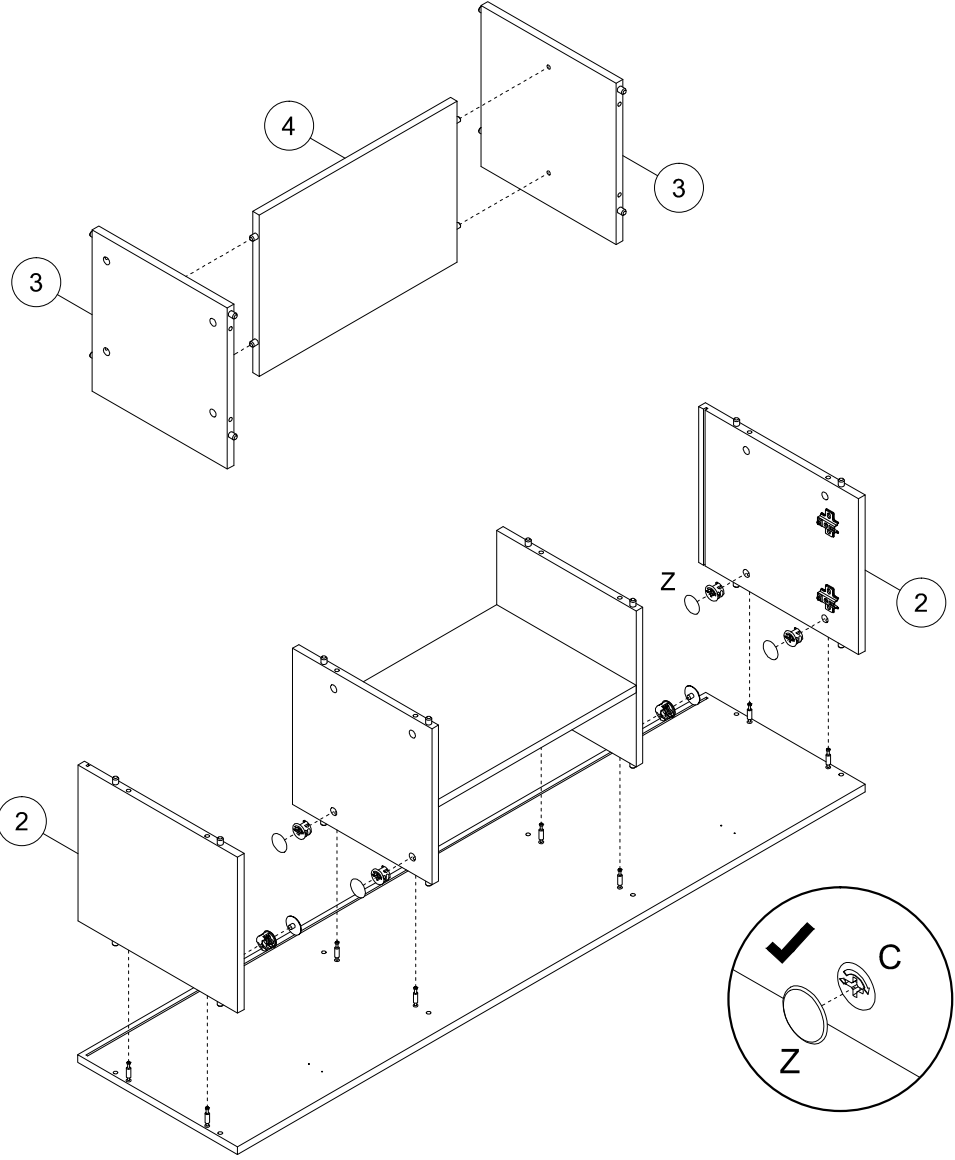
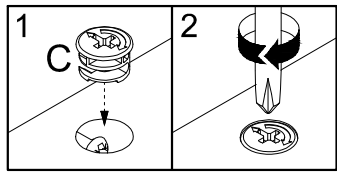
3



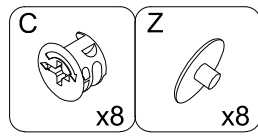
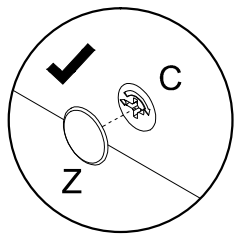
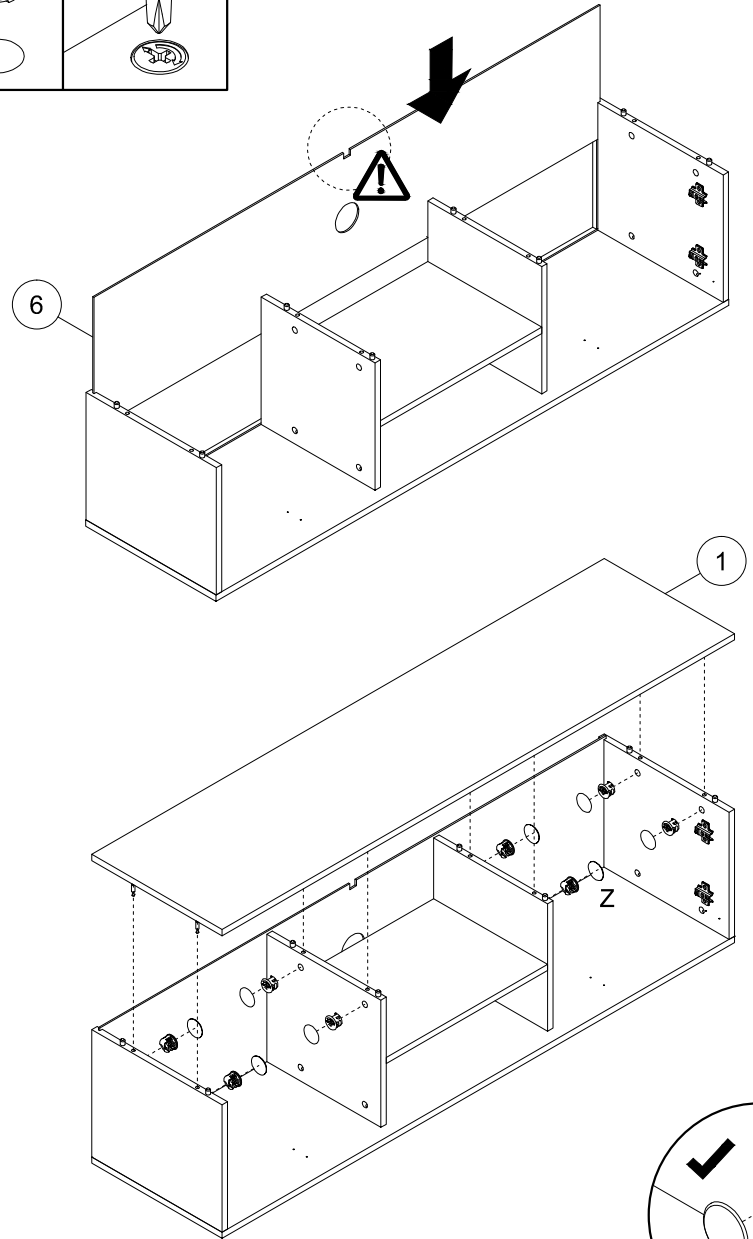
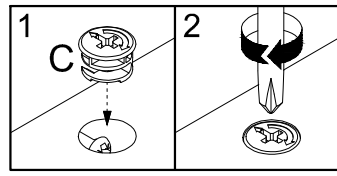
4



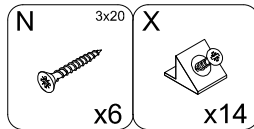
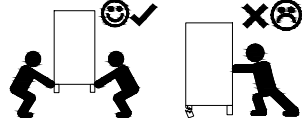
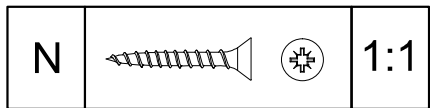
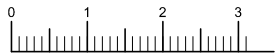
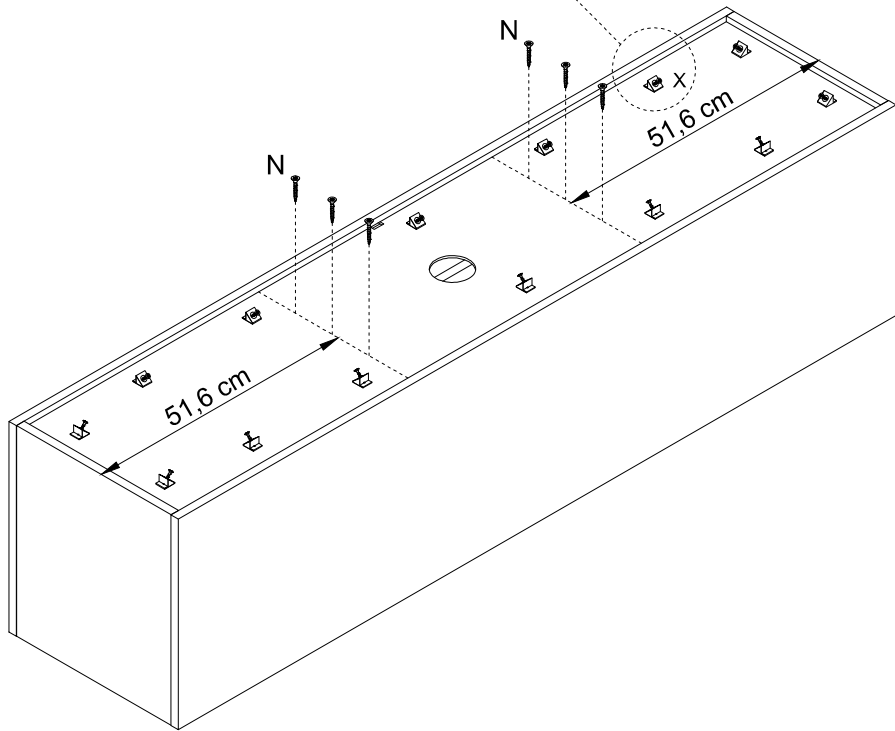
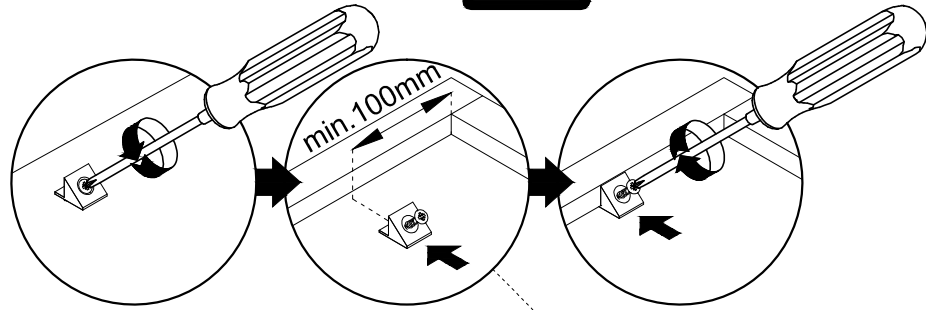
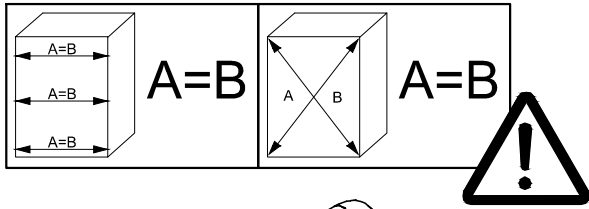
5



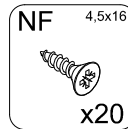
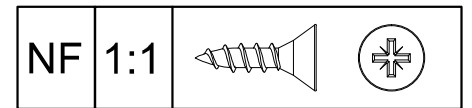
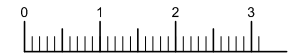
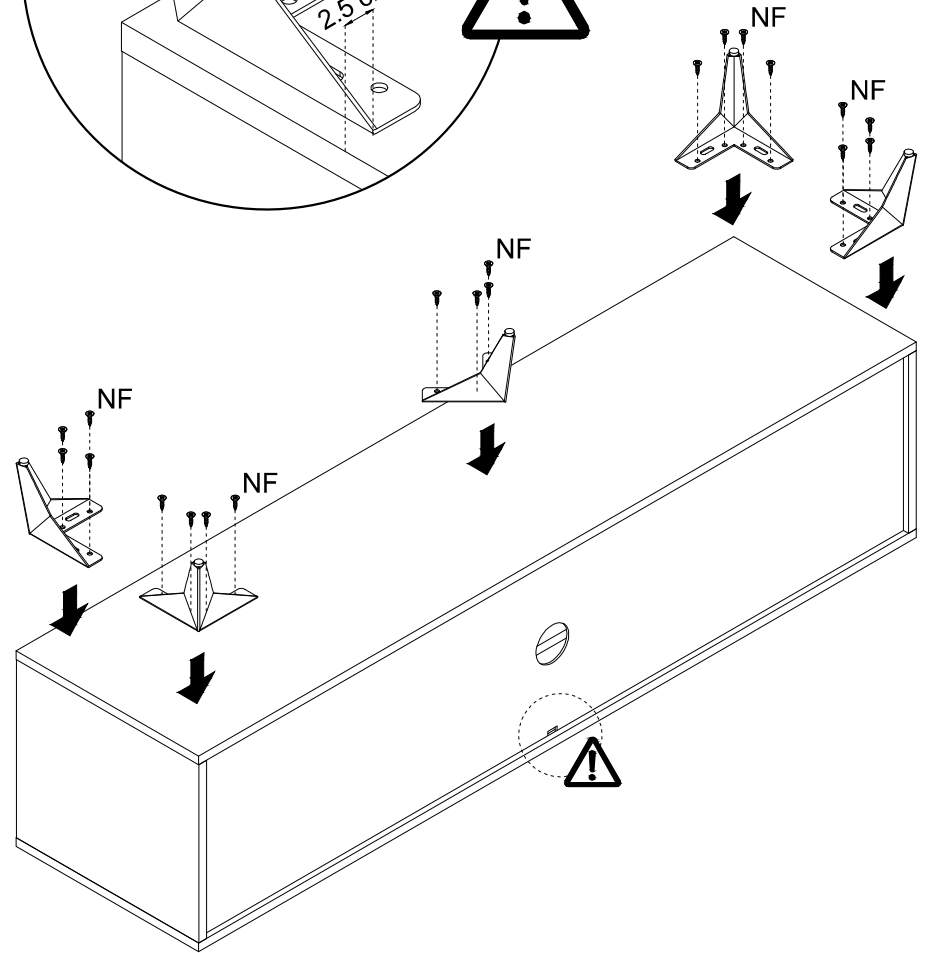
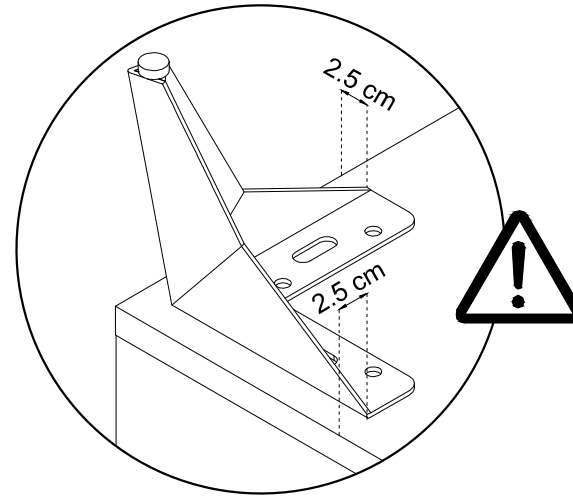
6

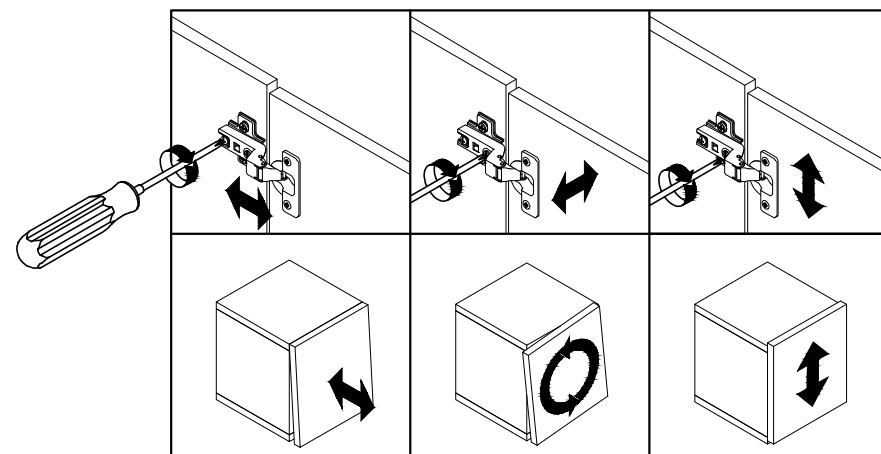
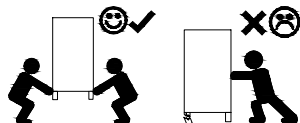
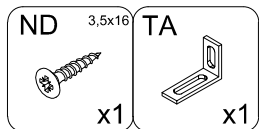
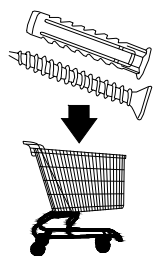
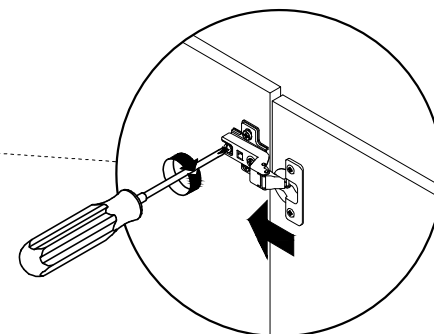
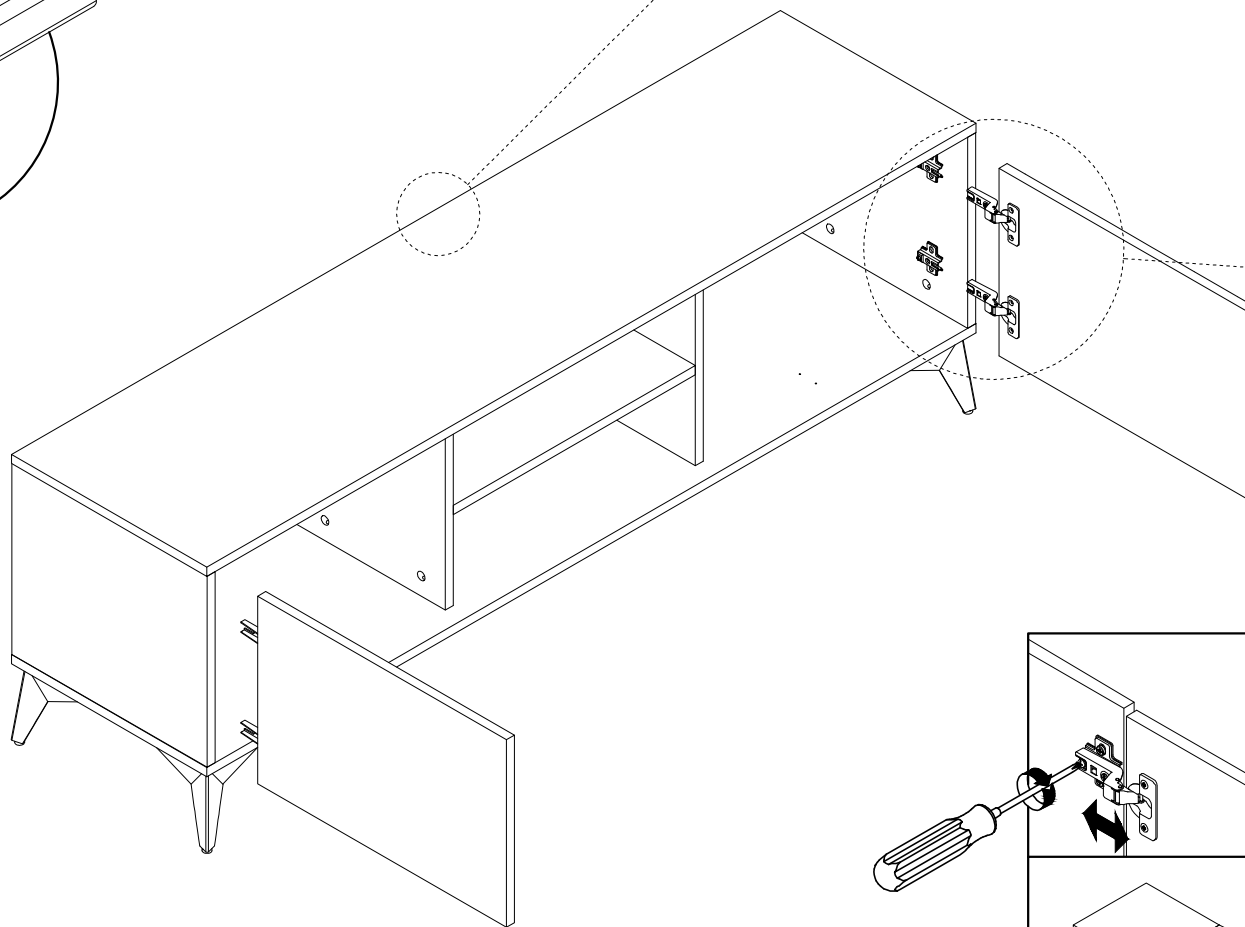
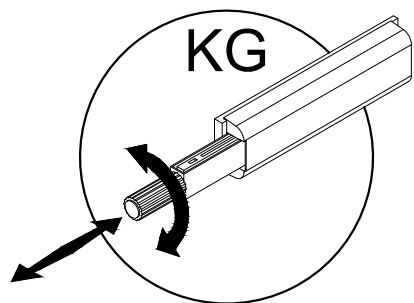
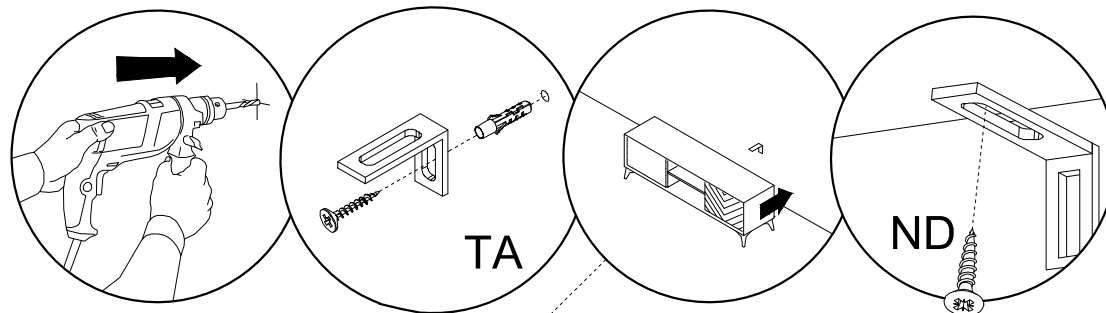


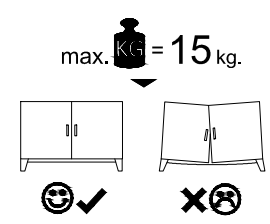
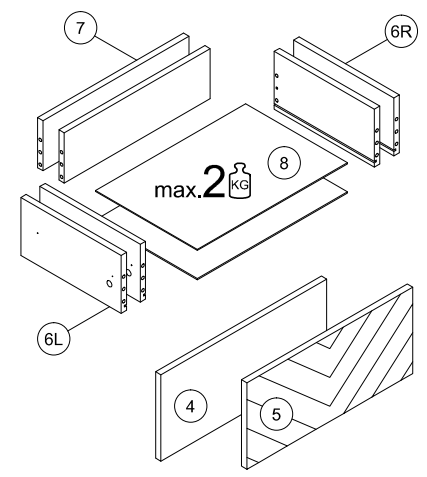
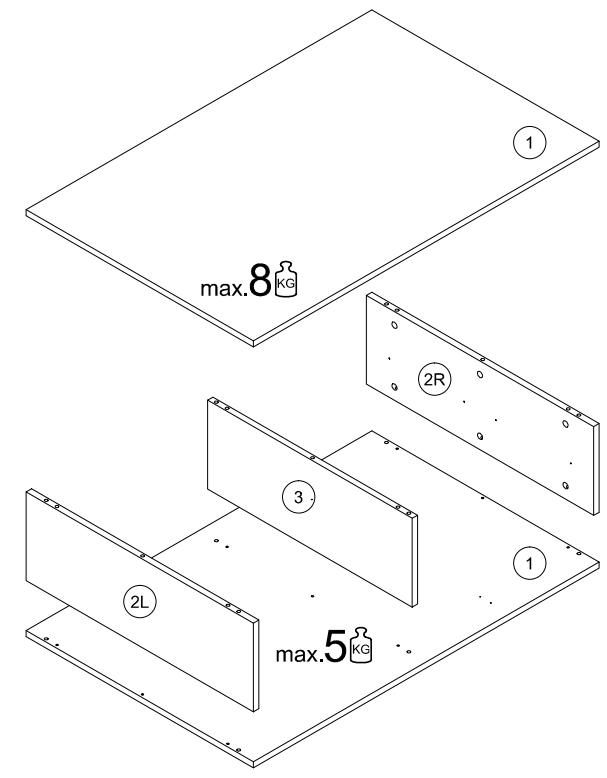
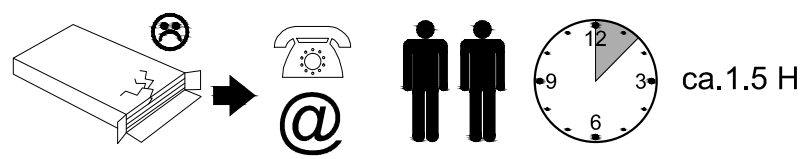
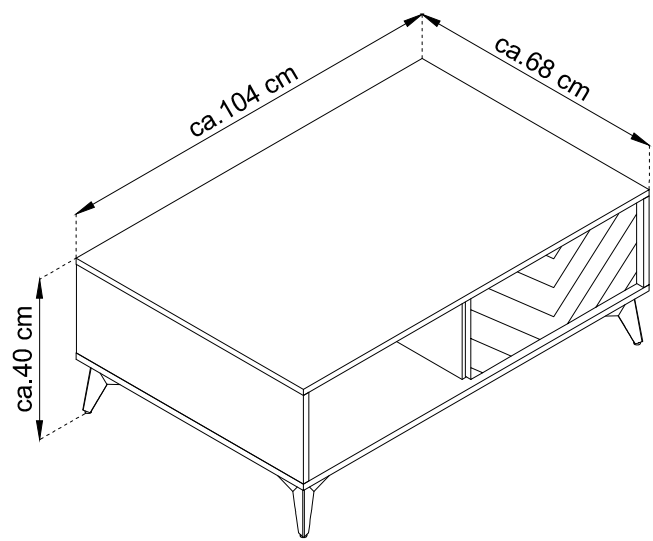
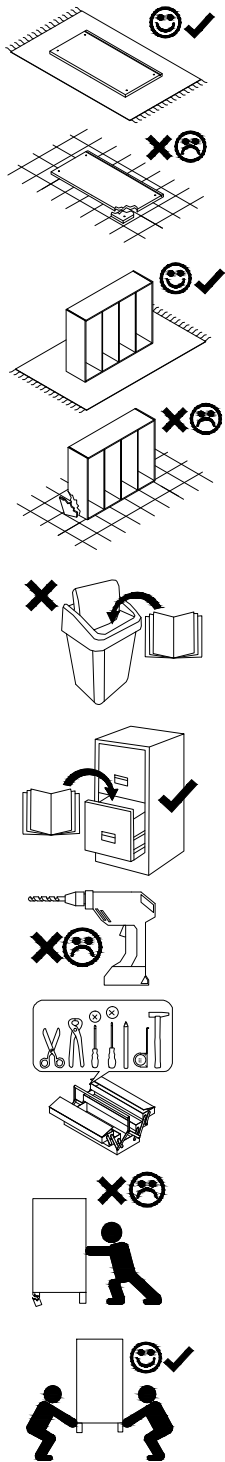
7



8

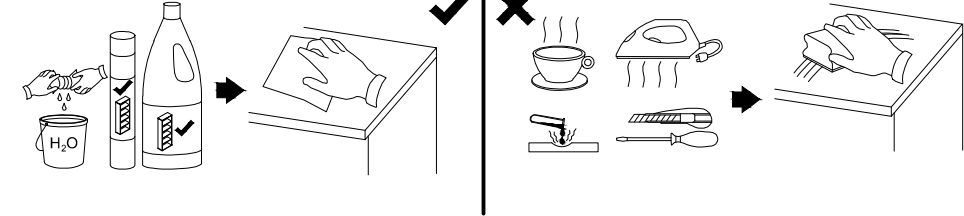
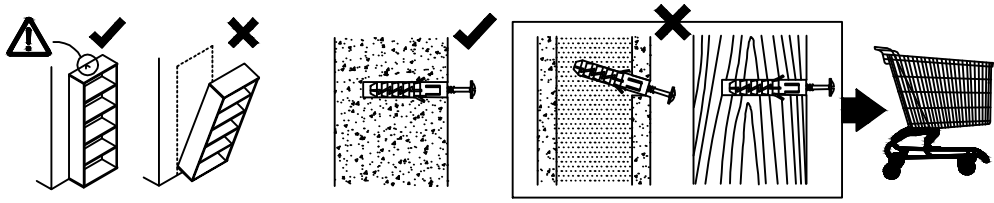
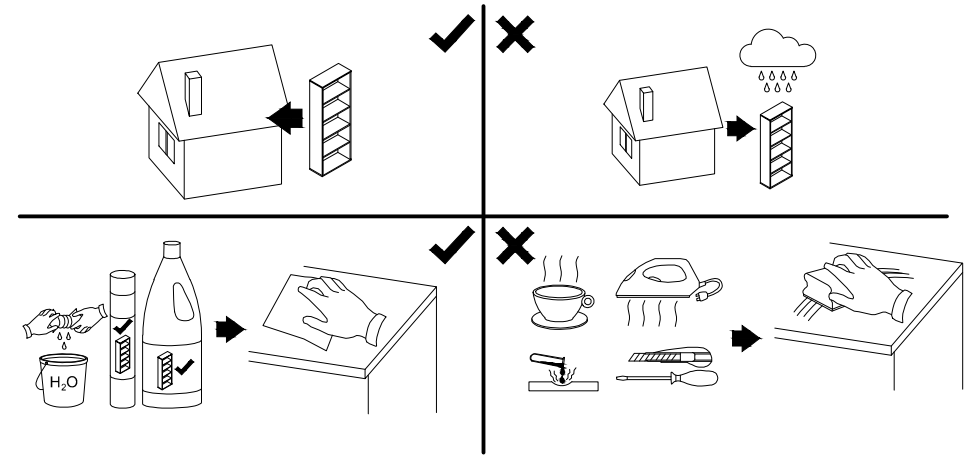
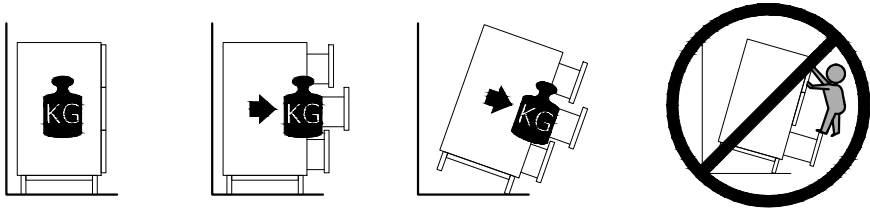




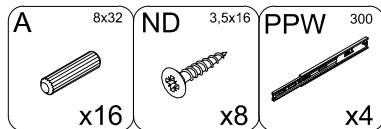
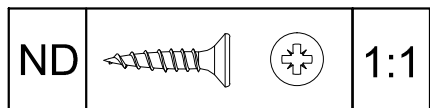
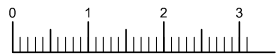
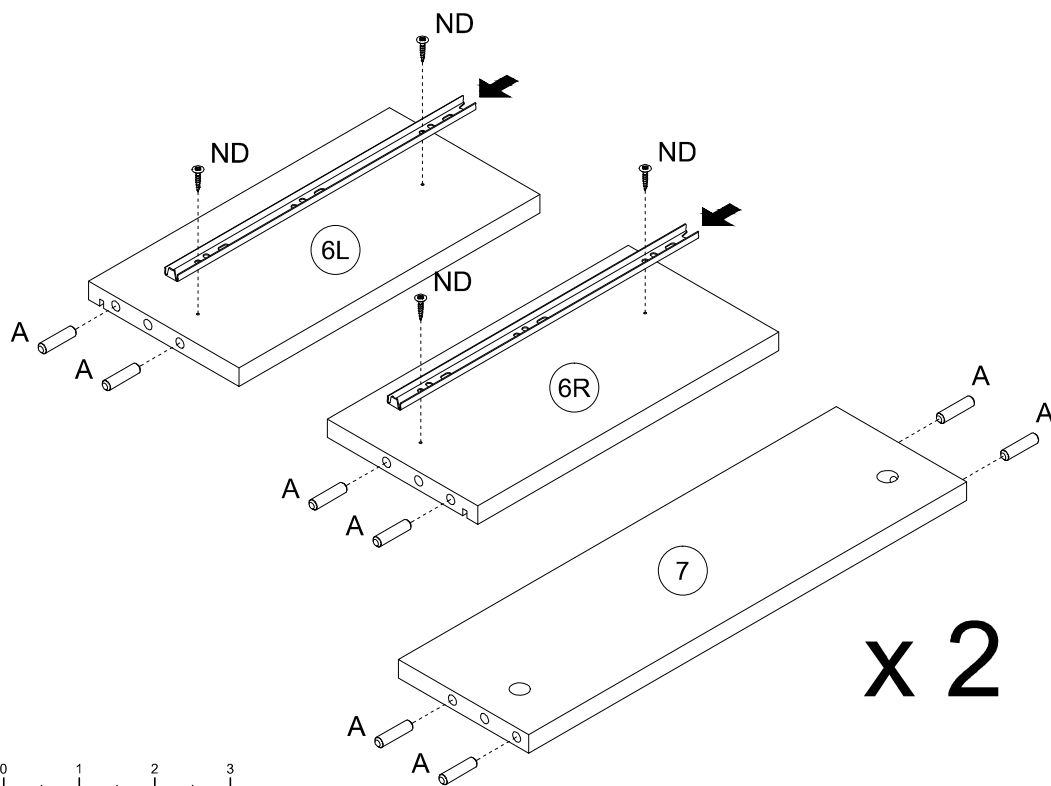
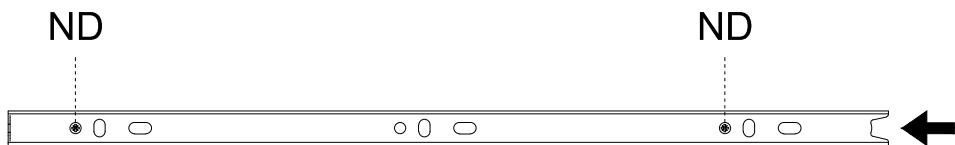
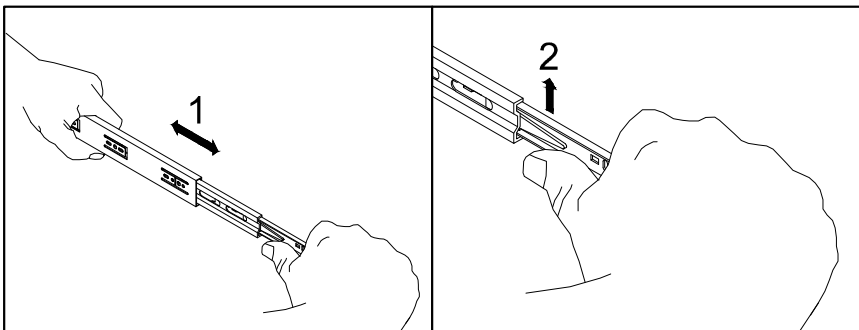


A	8x32	B	
	x28		x26
C		KG	
	x26		x2
NS	3.5x13	NF	4.5x16
	x4		x16
N	3x20	PPW	300mm
	x10		x4
ND	3.5x16	Z	
	x16		x10

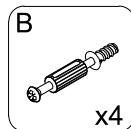
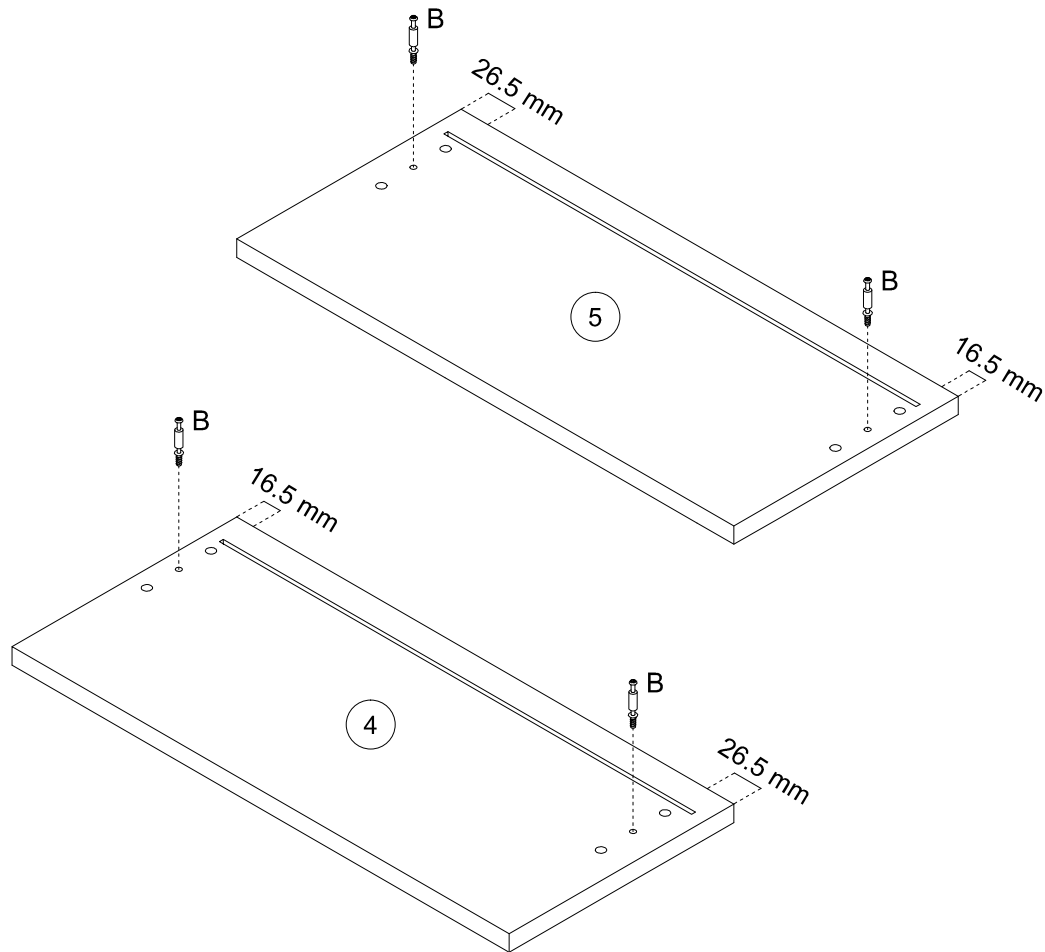
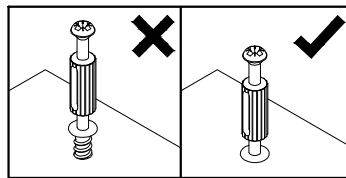
1	1035	680	16	x2	2 / 2
2L	680	230	16	x1	2 / 2
2R	680	230	16	x1	2 / 2
3	612	230	16	x1	2 / 2
4	496	224	16	x1	2 / 2
5	496	224	16	x1	2 / 2
6L	300	150	16	x2	2 / 2
6R	300	150	16	x2	2 / 2
7	437	130	16	x2	2 / 2
8	449	306	3	x2	2 / 2



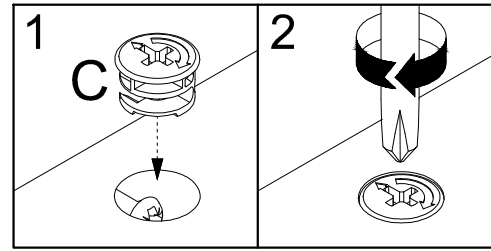
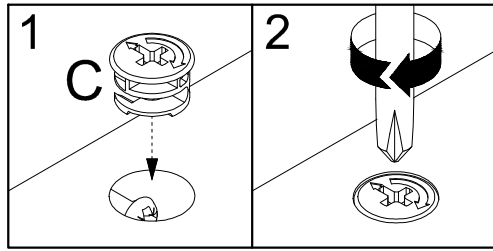
1



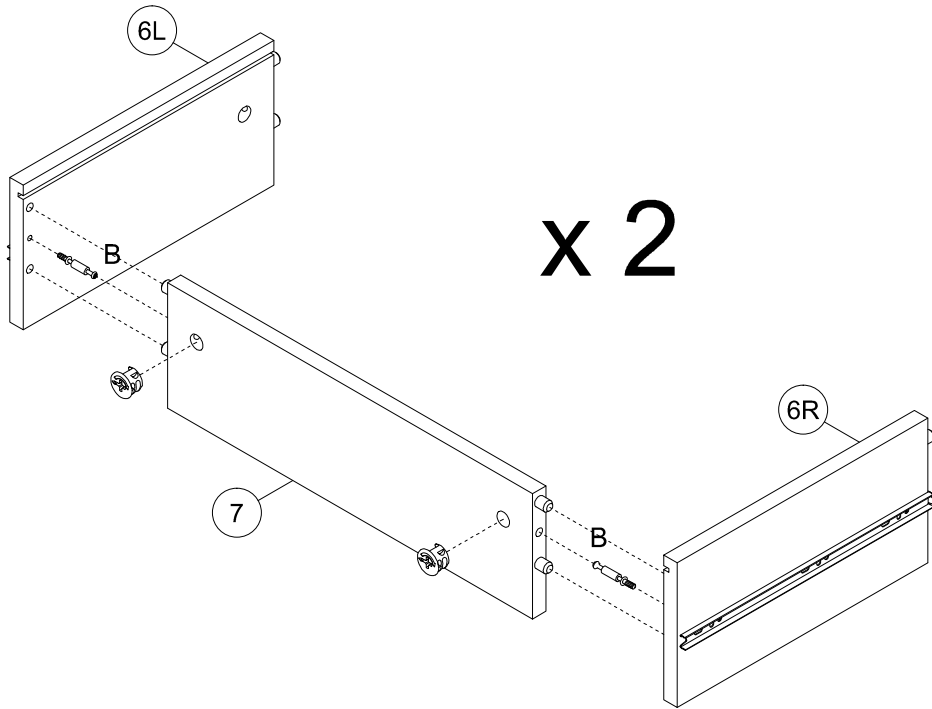
2



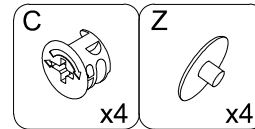
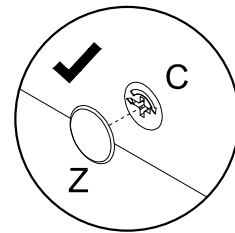
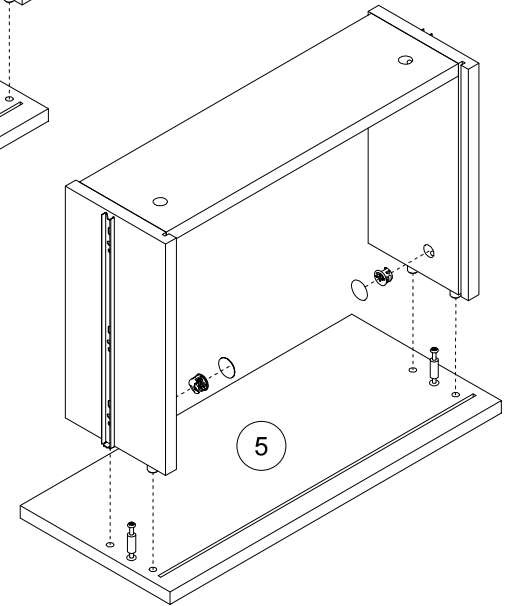
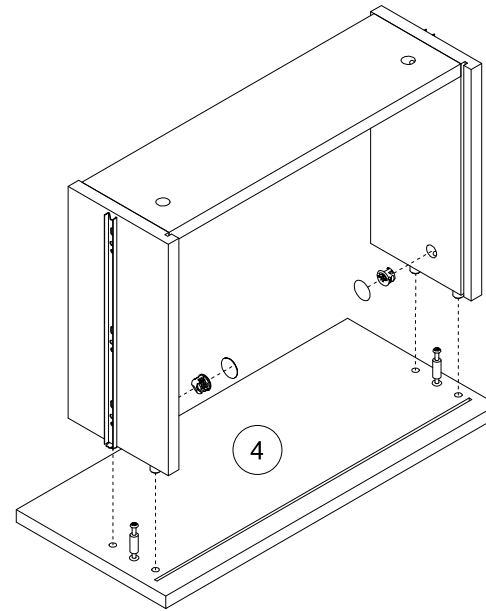
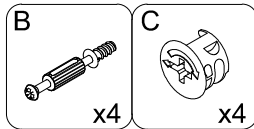
3



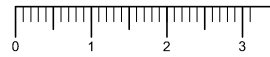
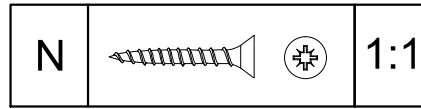
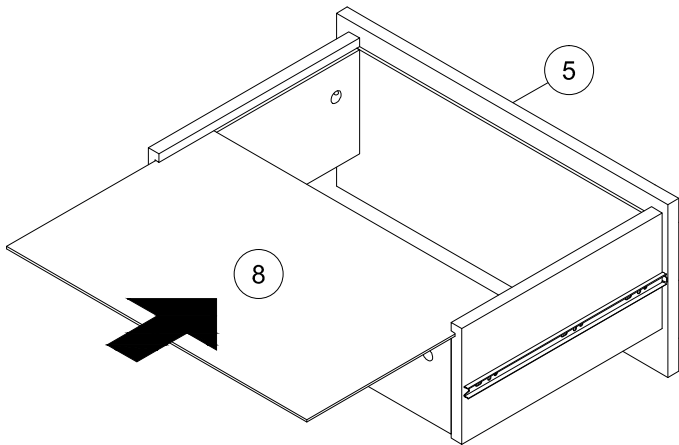
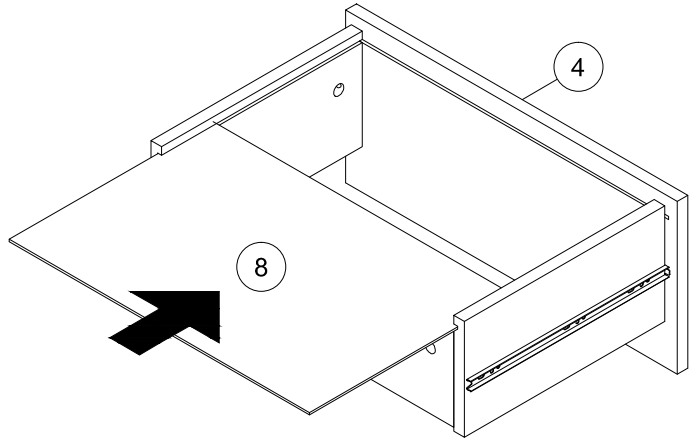
4



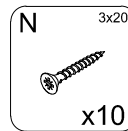
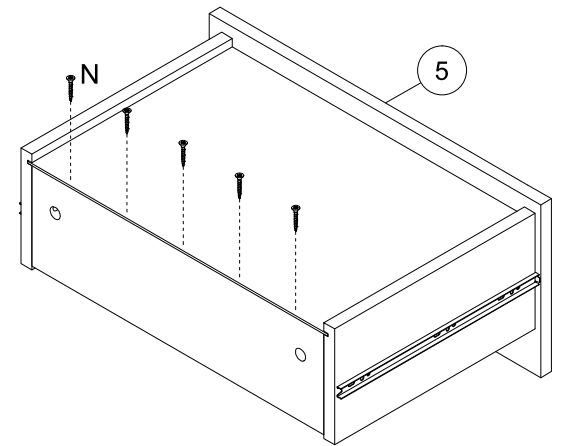
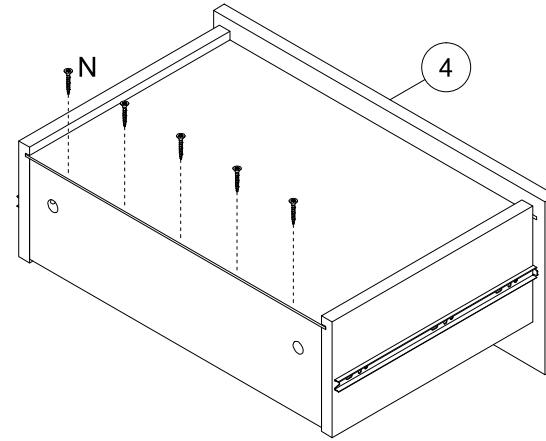
x 2

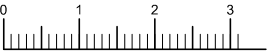
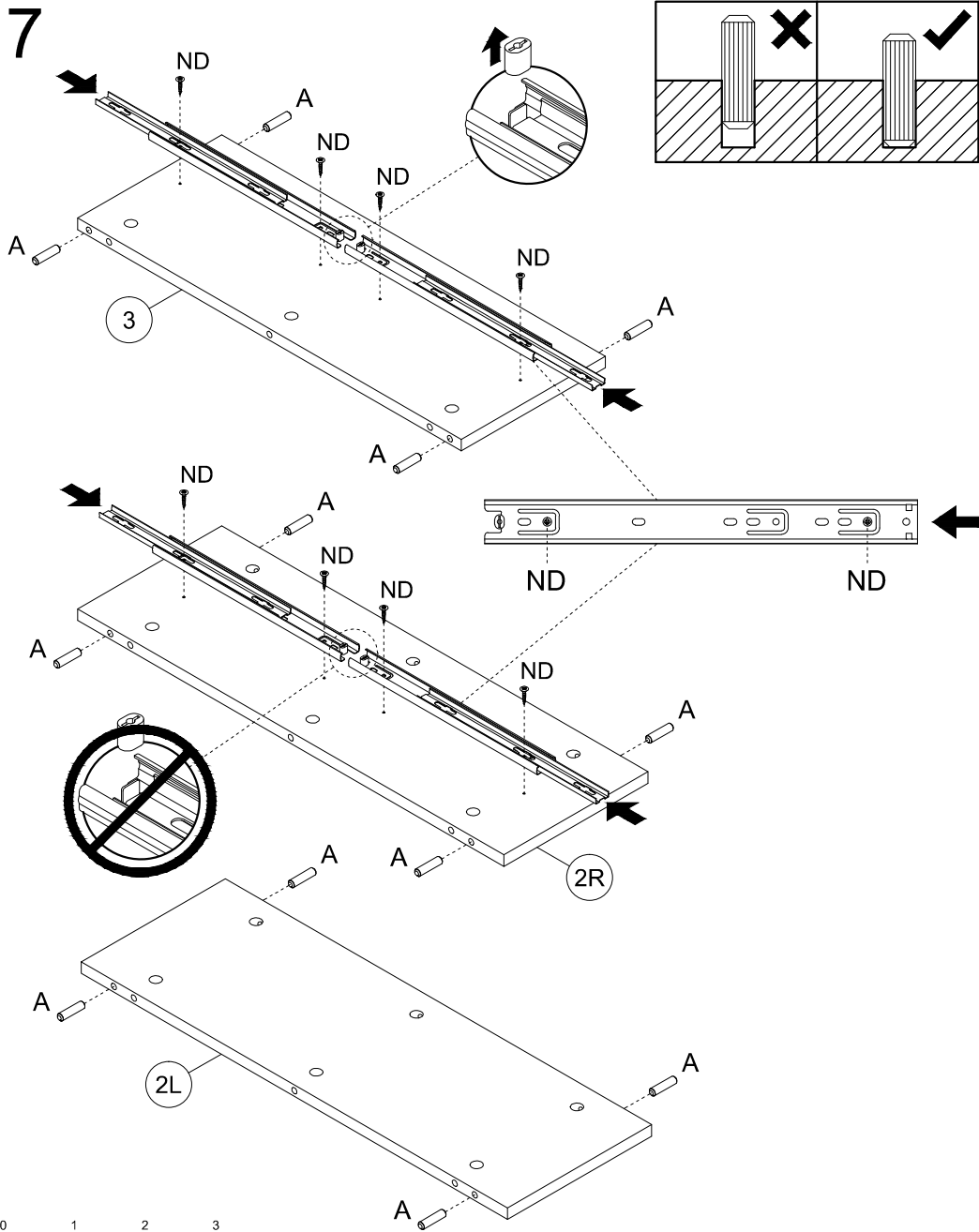


5



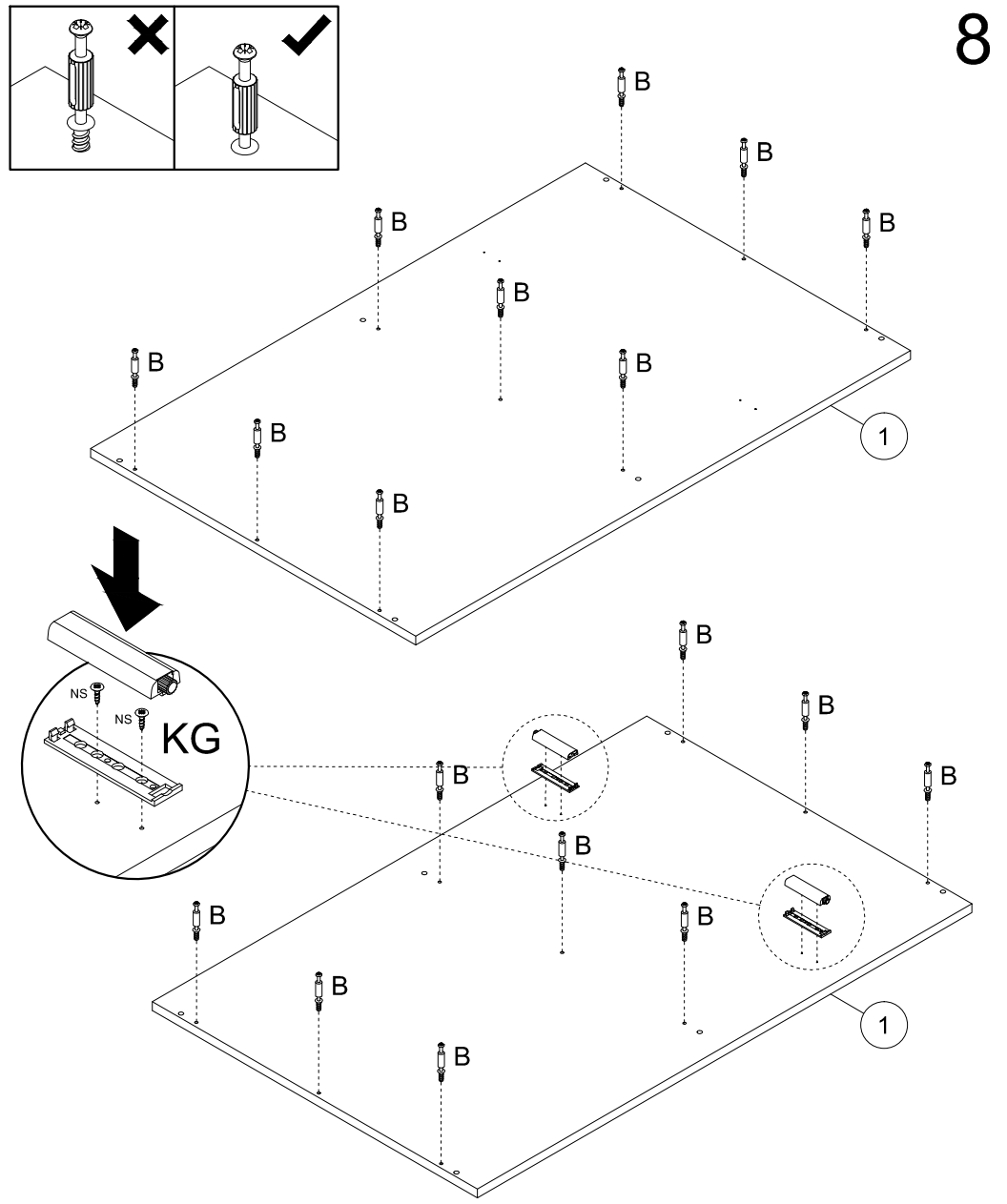
6



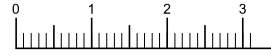


ND			1:1
----	--	--	-----

A	8x32	ND	3,5x16	PPW	300
	x12		x8		x4

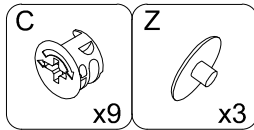
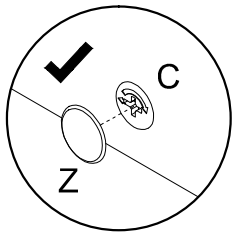
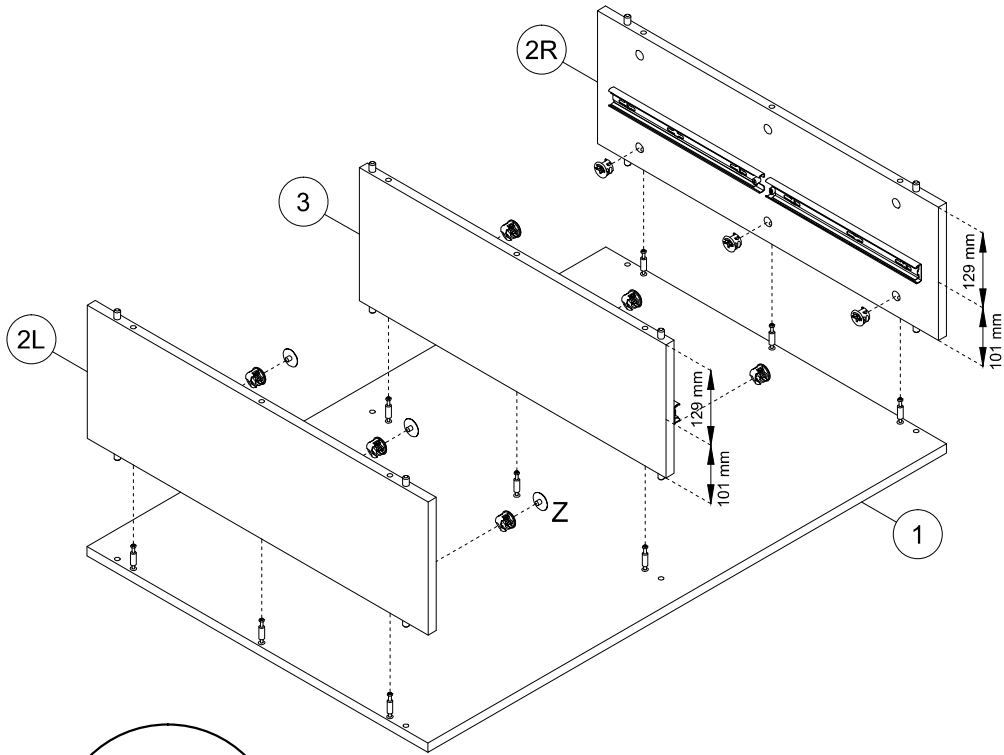
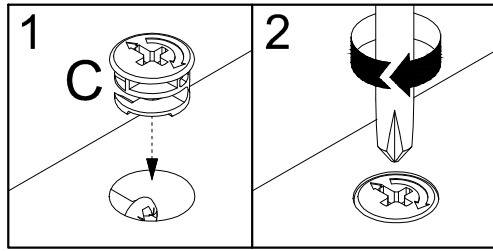


B	KG	NS	3,5x13
			x4
x18	x2		

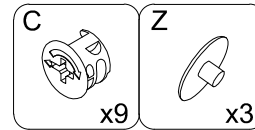
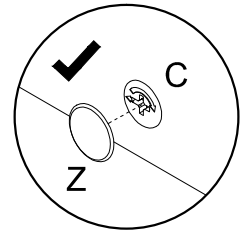
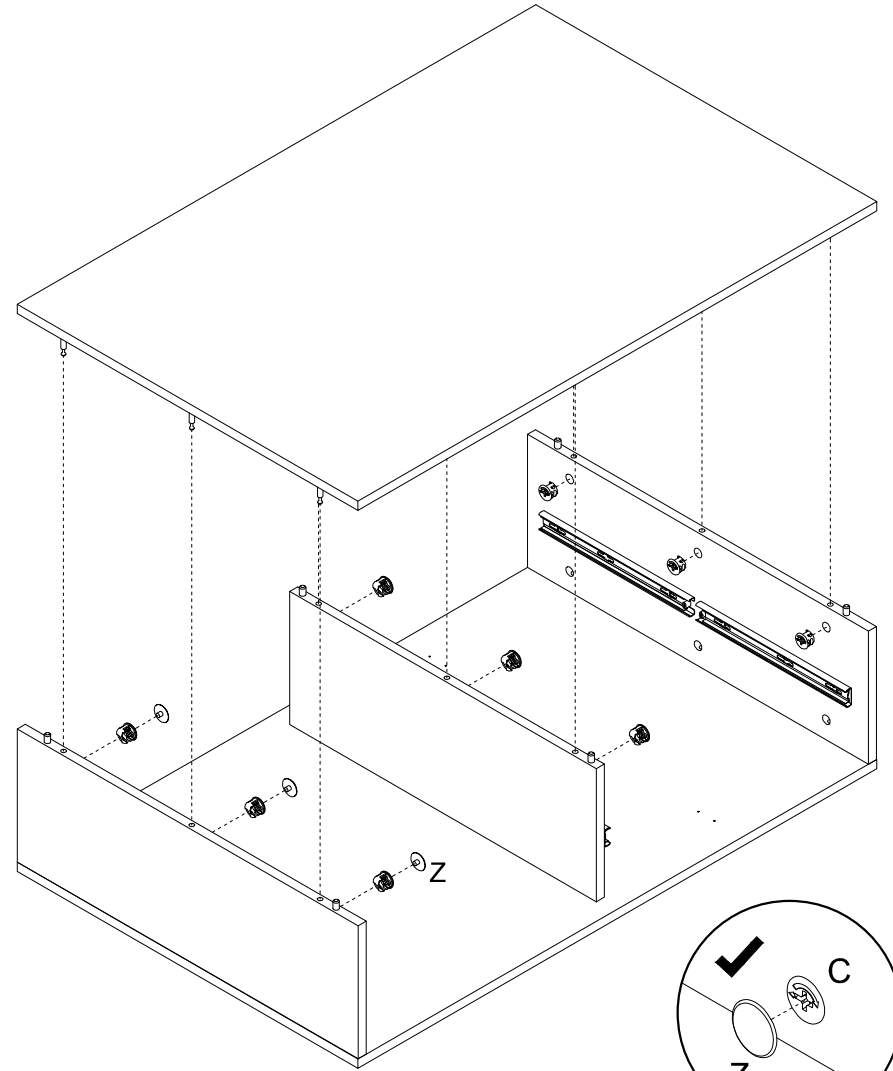
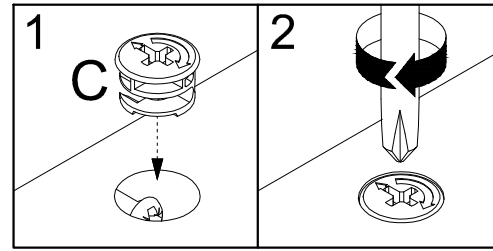


NS			1:1
----	--	--	-----

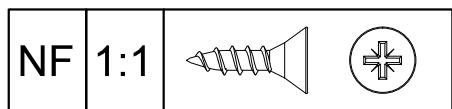
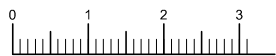
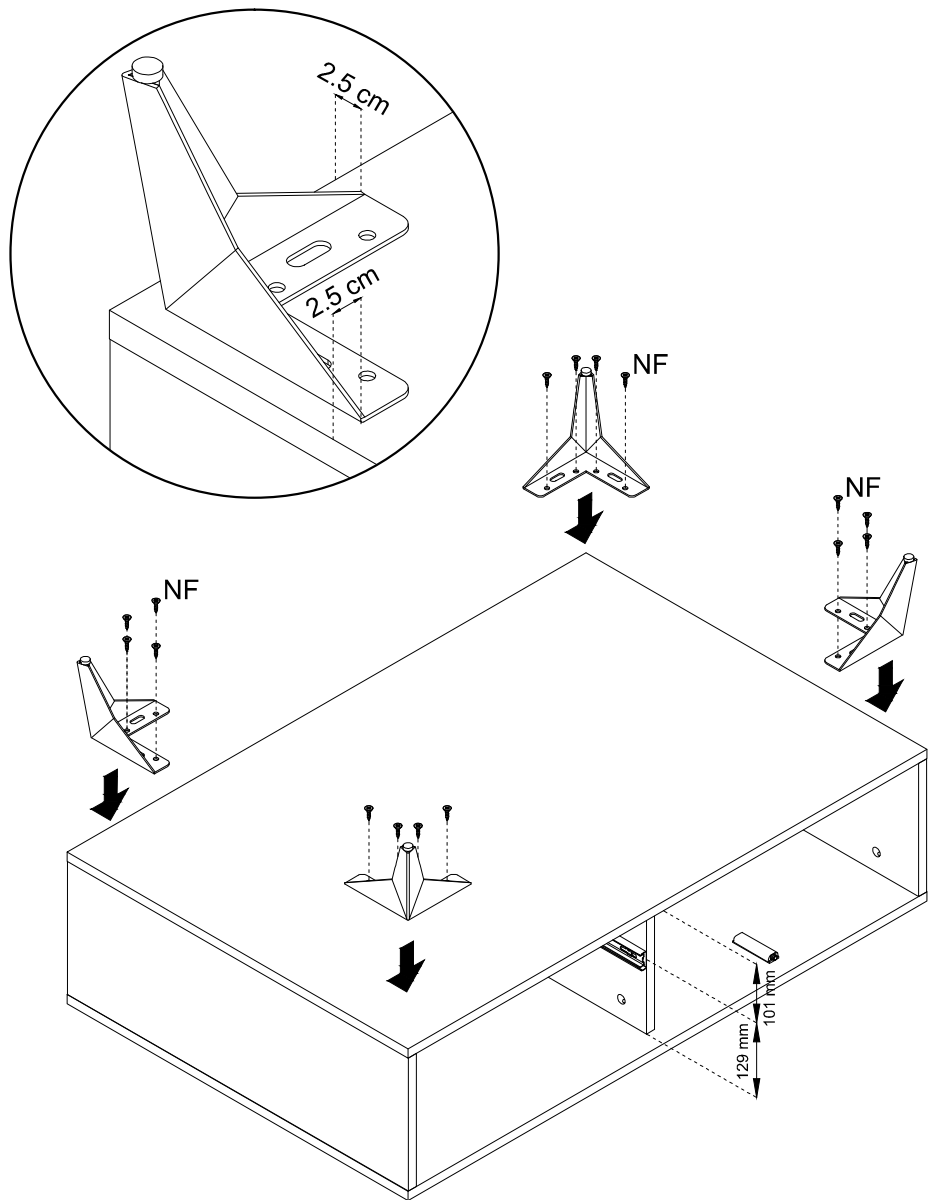
9



10



11



12

