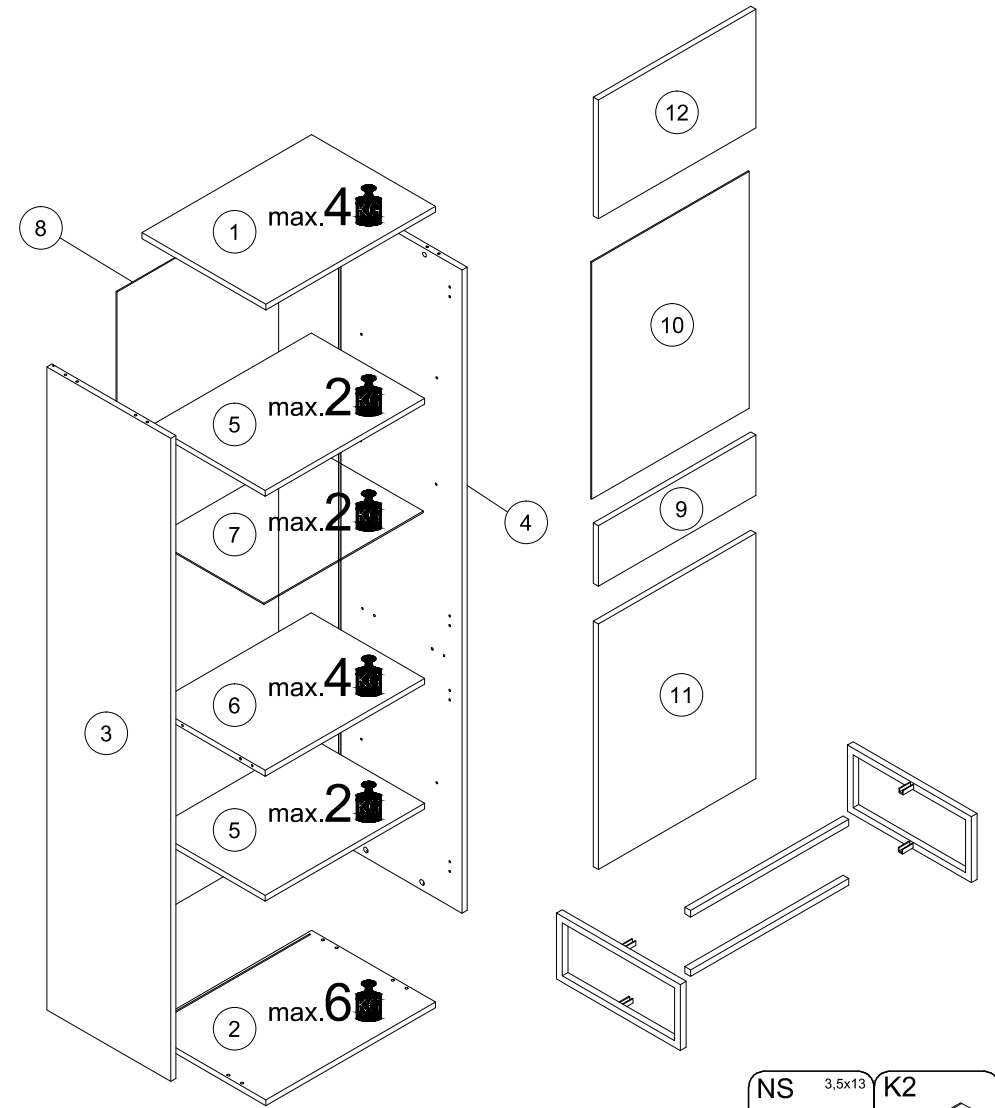
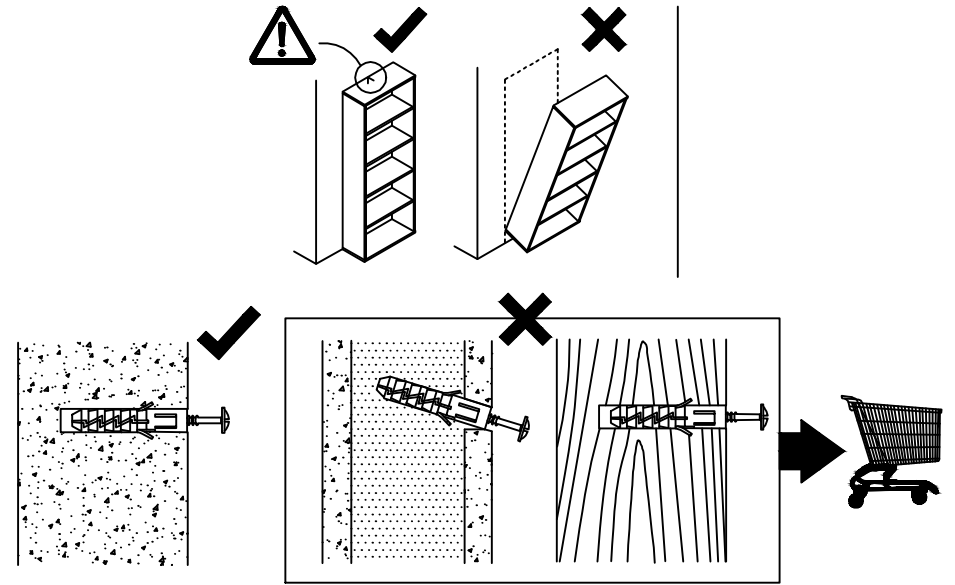
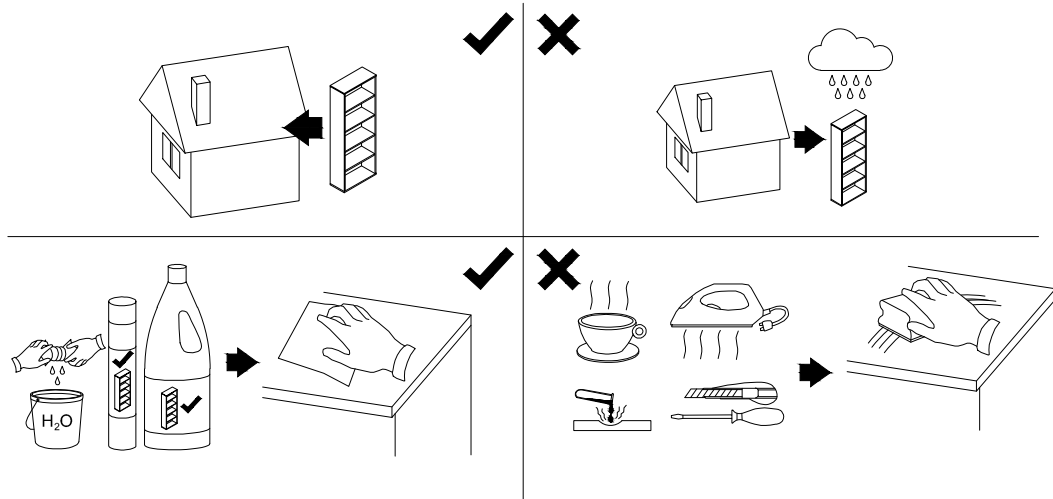


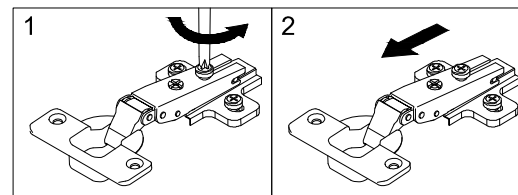
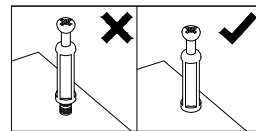
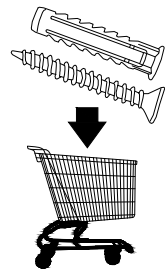
50 min.



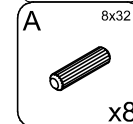
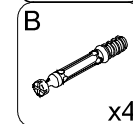
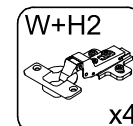
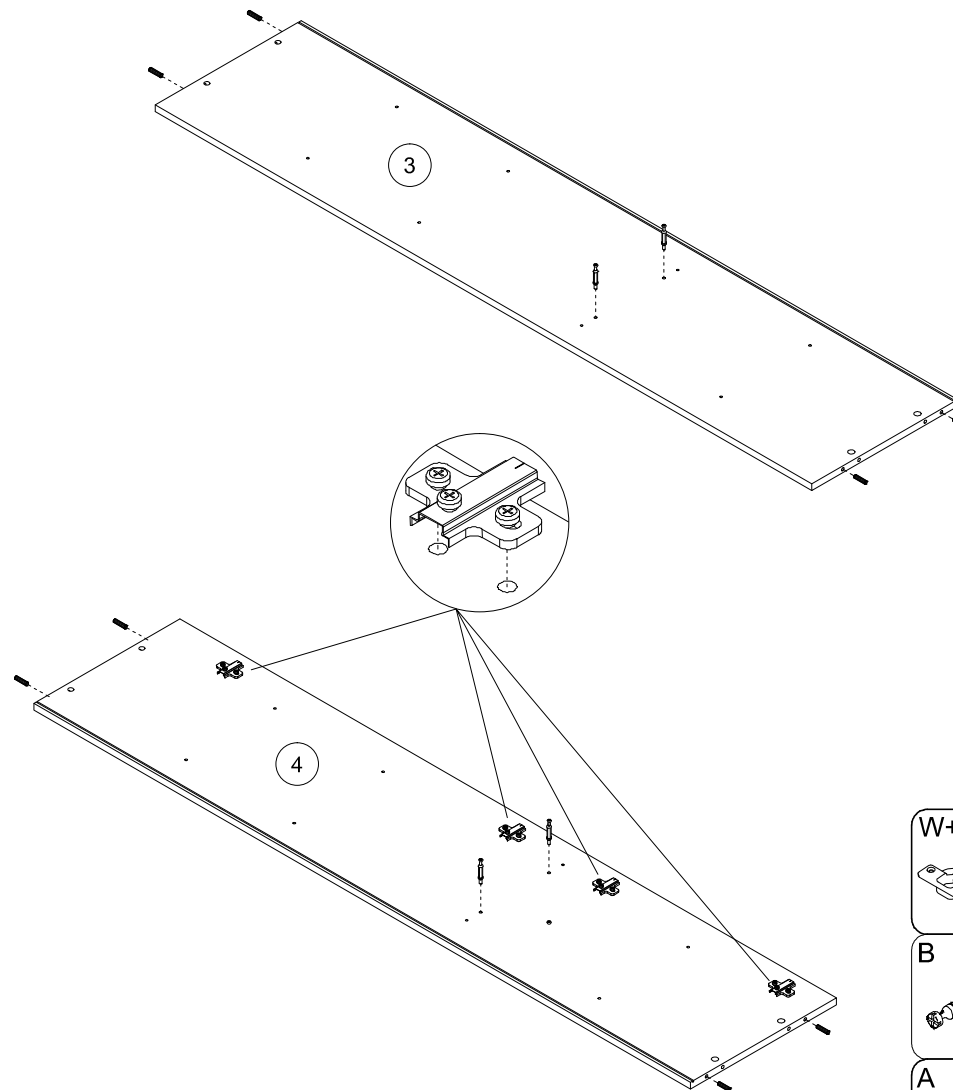
V	3x13	N	3x20	W+H2	ZA	C	Z	NS	3.5x13	K2
x2	x4	x4	x1	x12	x12	x2	x1	x2	x1	
B	A	TA	ZZ	KS	R5	ZE	V3	ND	3.5x16	X
x12	x12	x1	x8	x4	x1	x4	x4	x14	x14	x14

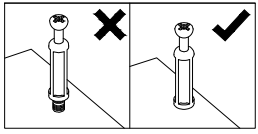


①	534	390	16	x1	2 / 2
②	534	390	16	x1	2 / 2
③	1754	390	16	x1	2 / 2
④	1754	390	16	x1	2 / 2
⑤	502	350	16	x2	2 / 2
⑥	502	357	16	x1	2 / 2
⑦	501	345	4	x1	2 / 2
⑧	1766	514	3	x1	2 / 2
⑨	164	496	16	x1	2 / 2
⑩	667	496	4	x1	2 / 2
⑪	668	496	16	x1	2 / 2
⑫	324	496	16	x1	2 / 2

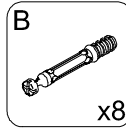
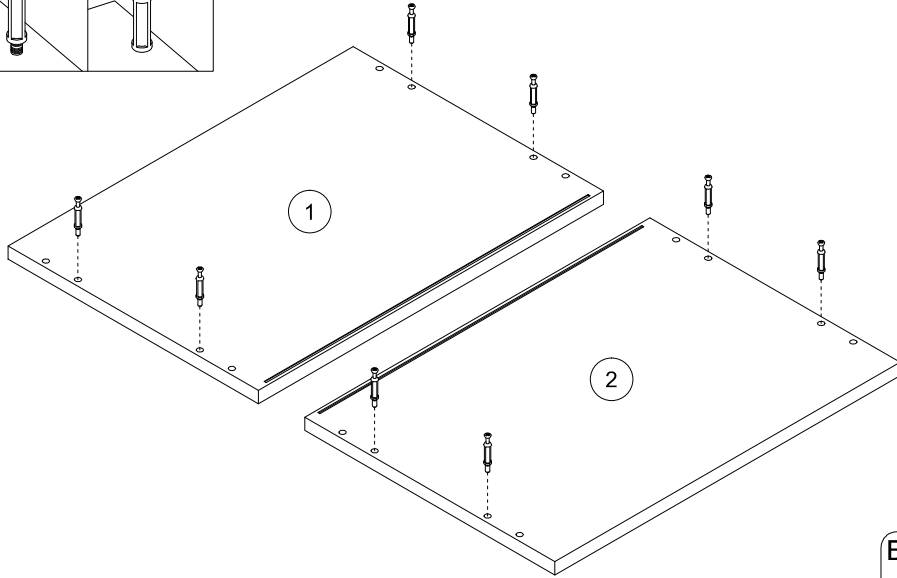


1

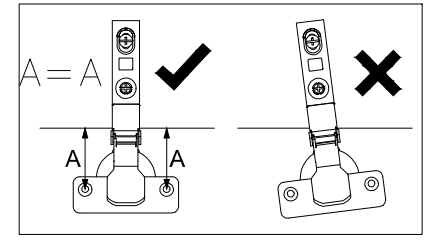
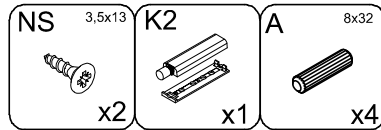
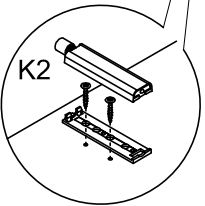
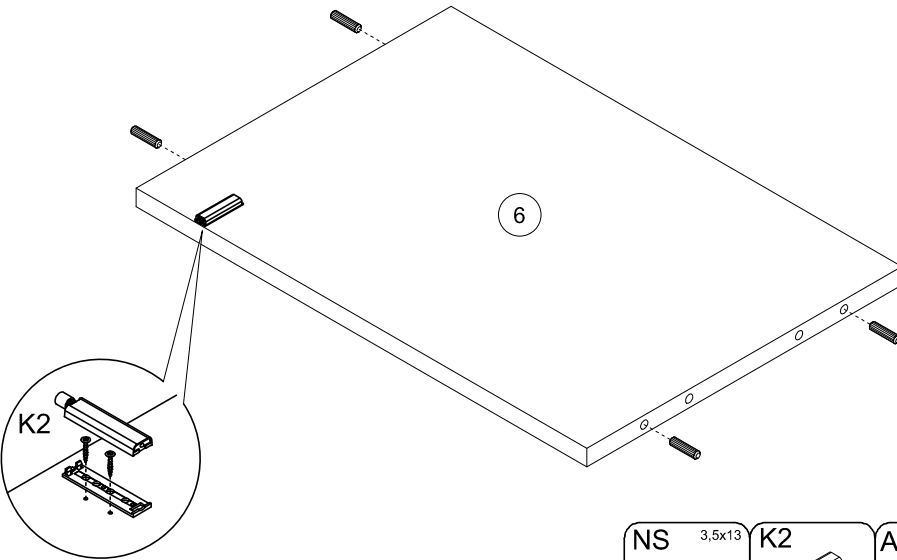




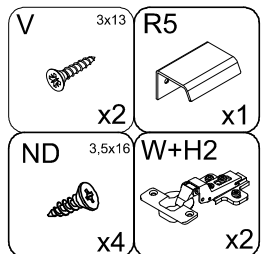
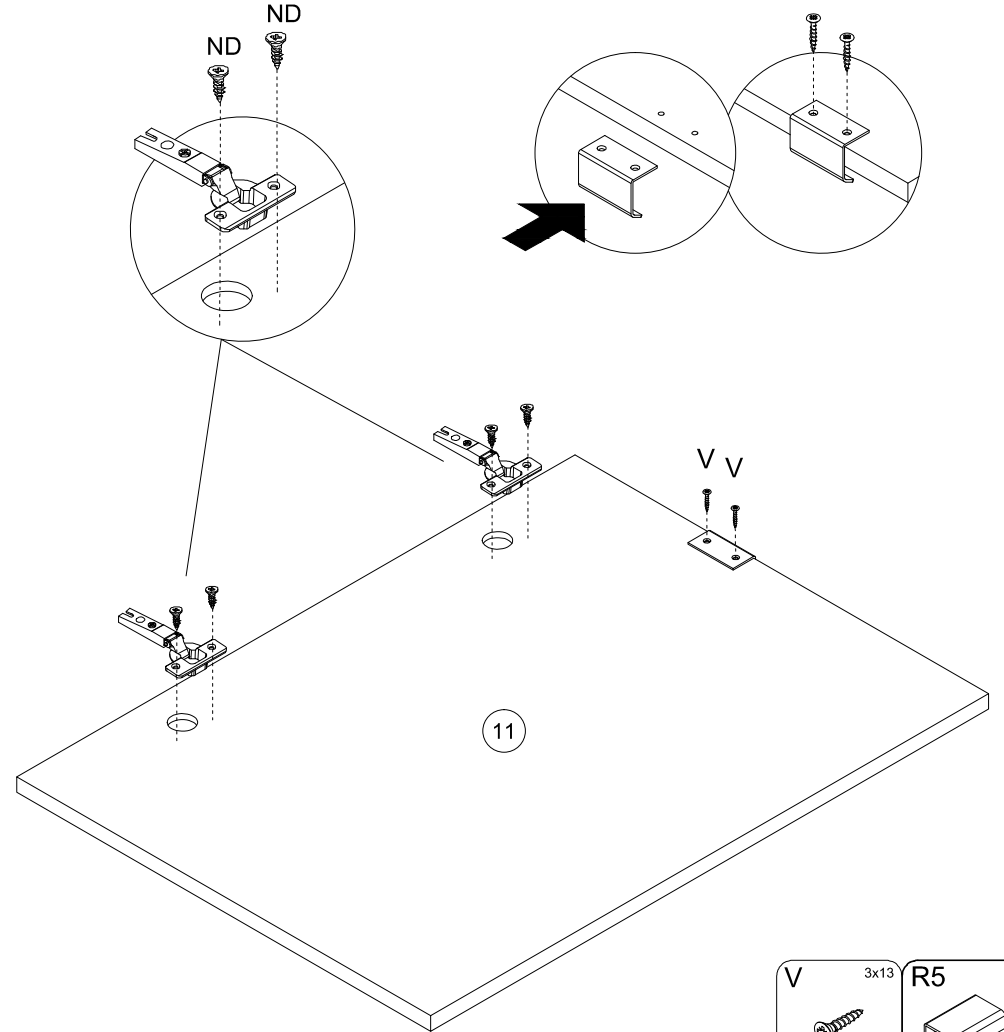
2

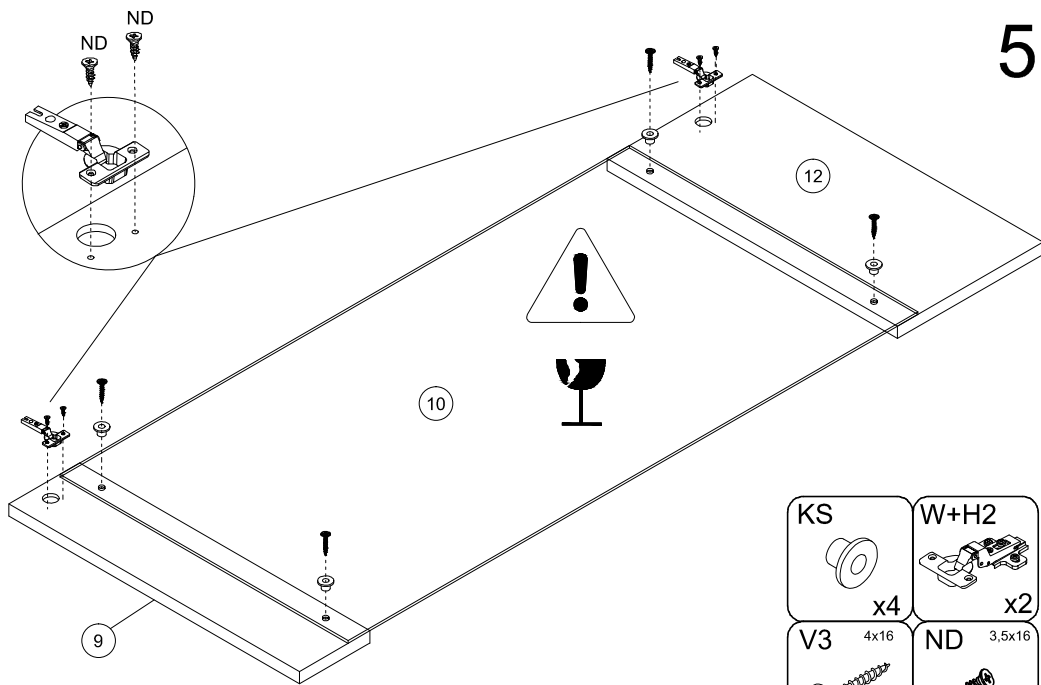


3

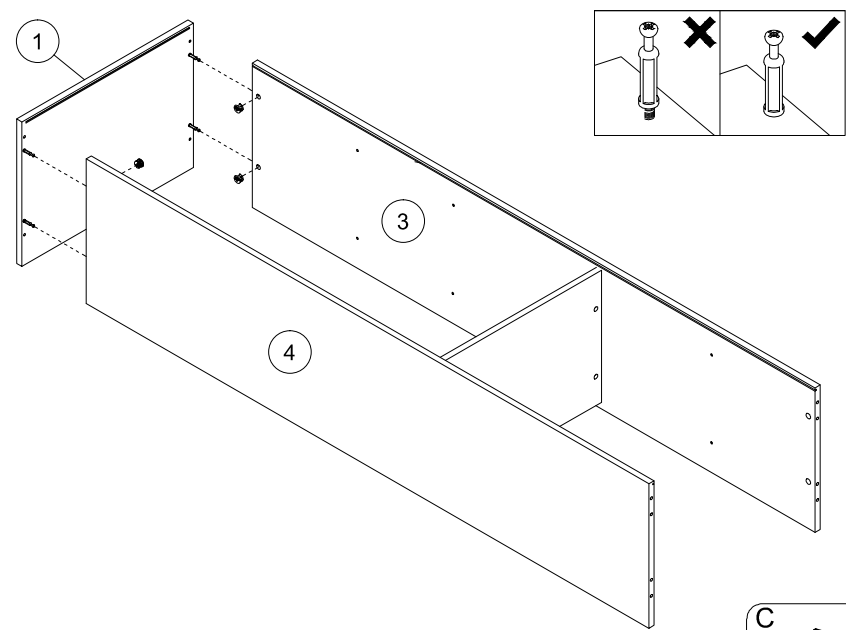
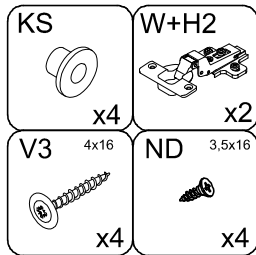


4

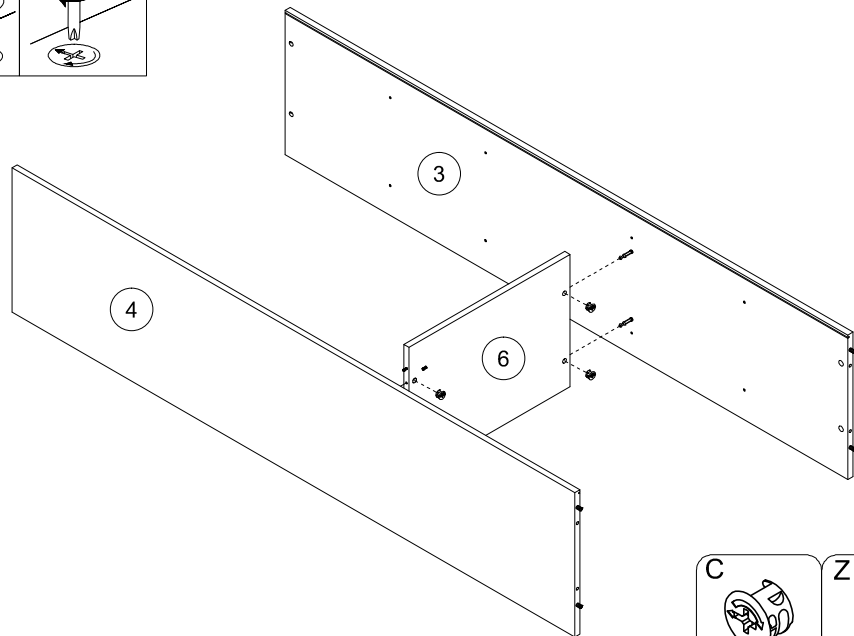
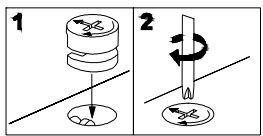
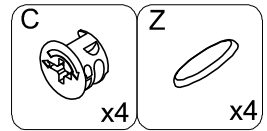




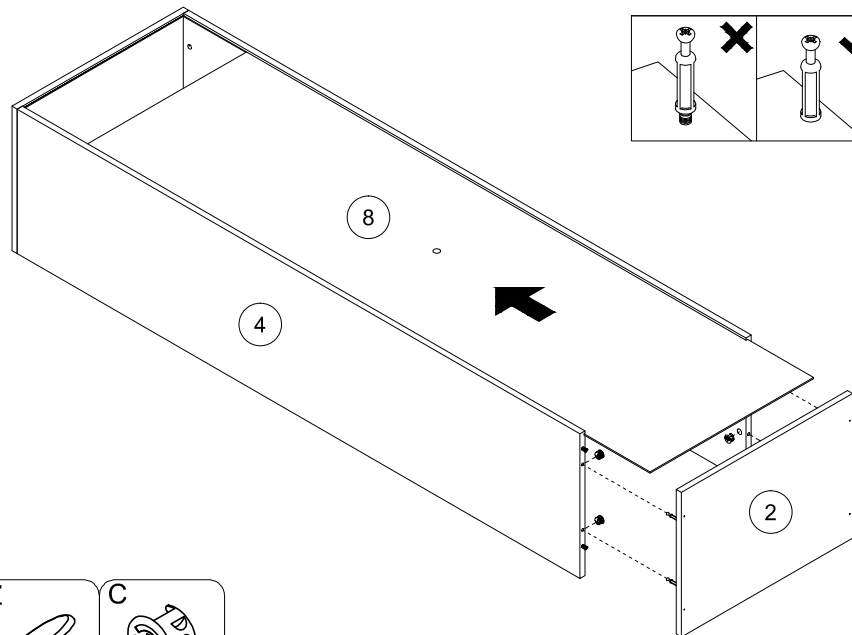
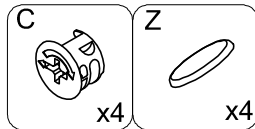
5



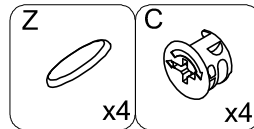
7



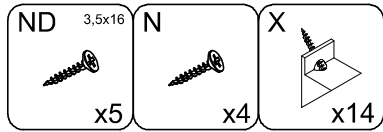
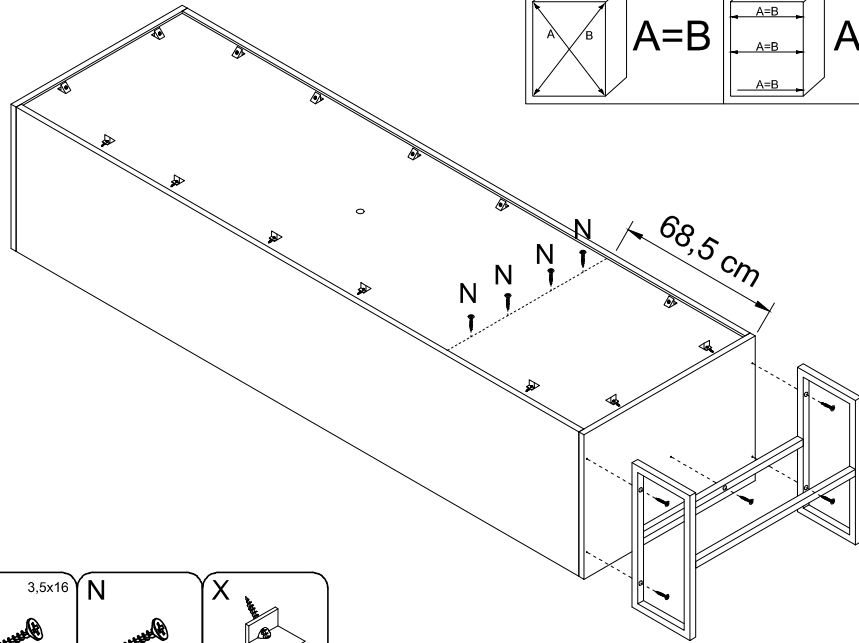
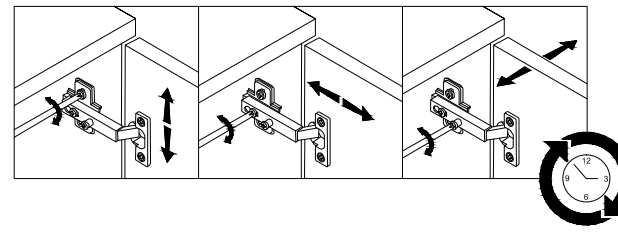
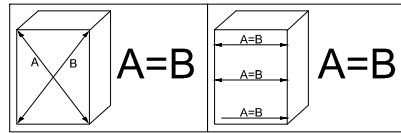
6



8



9



10

