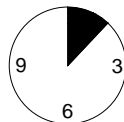
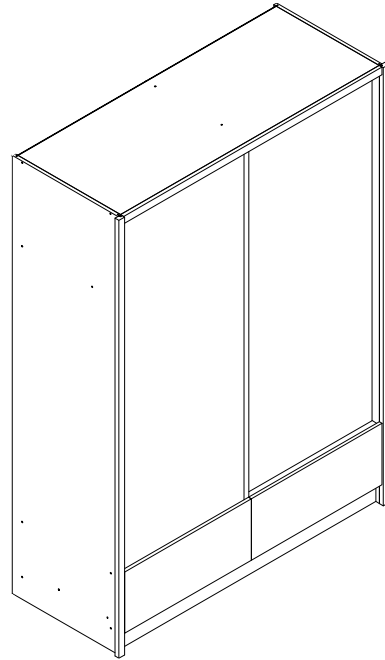
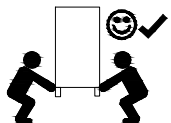
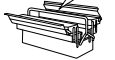
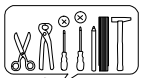
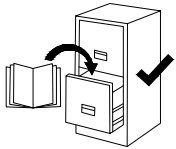
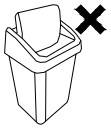
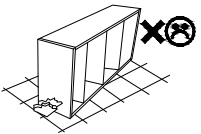
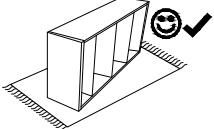
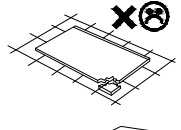
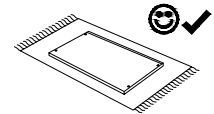
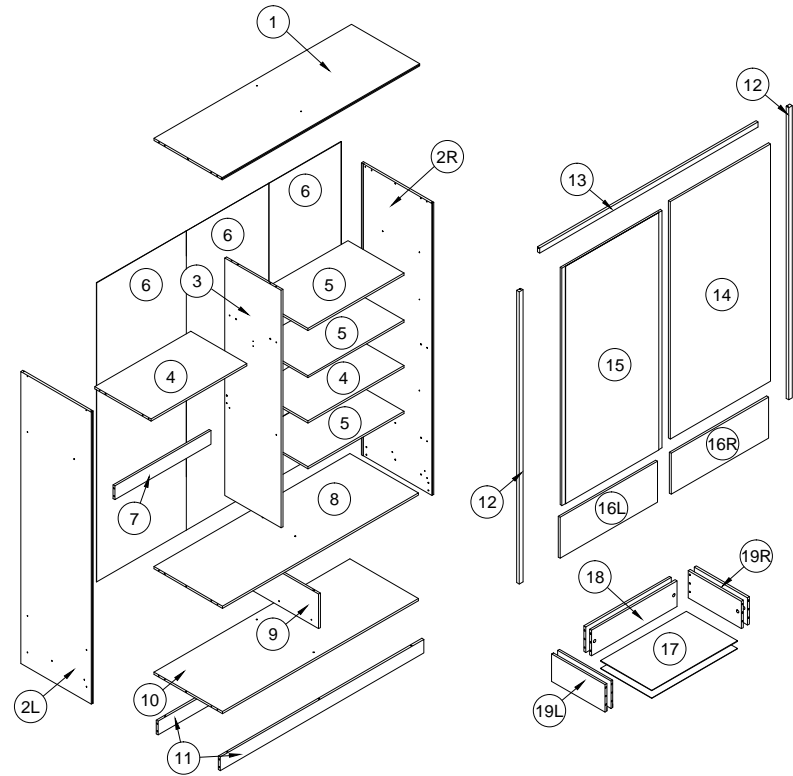


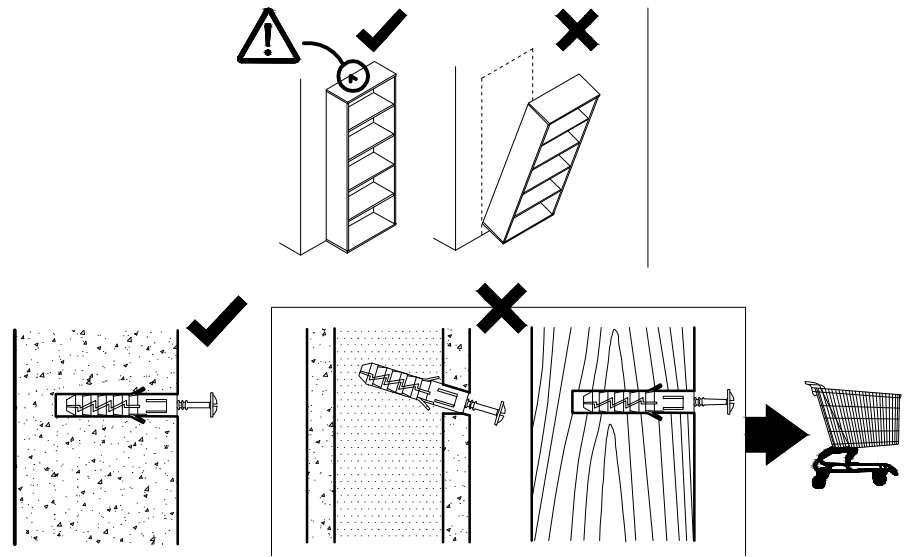
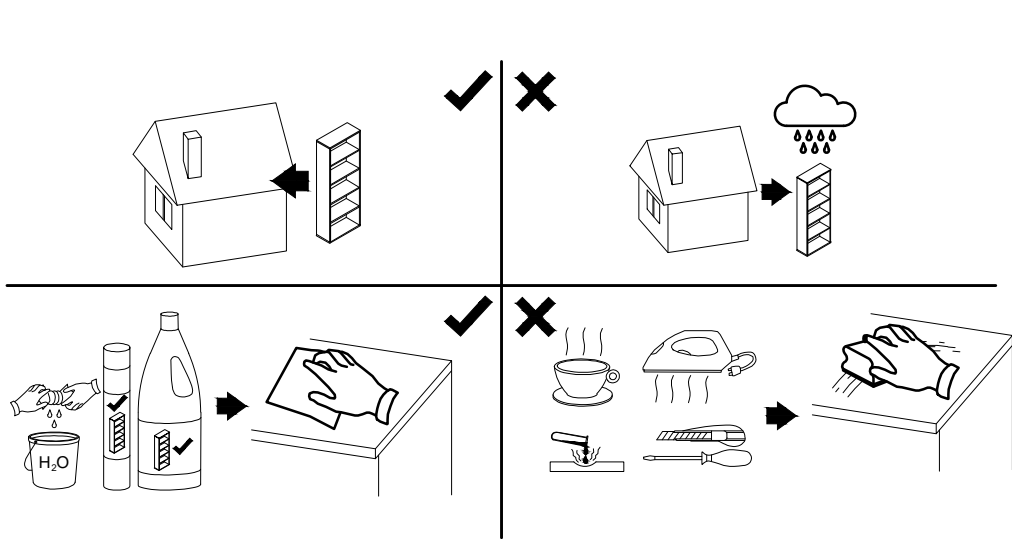
130

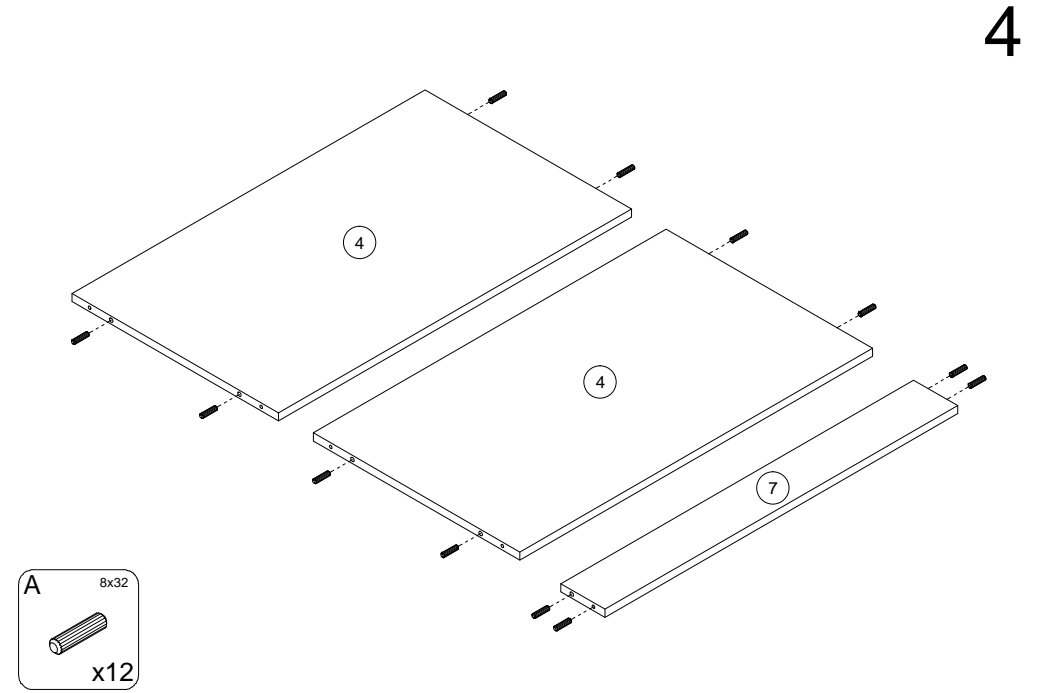
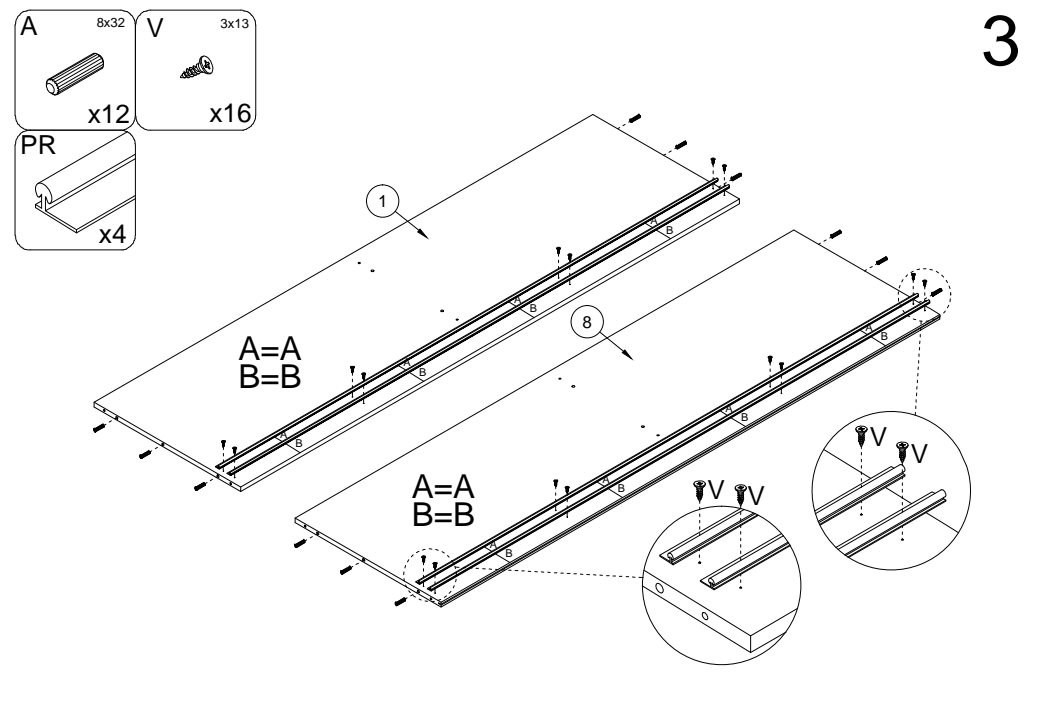
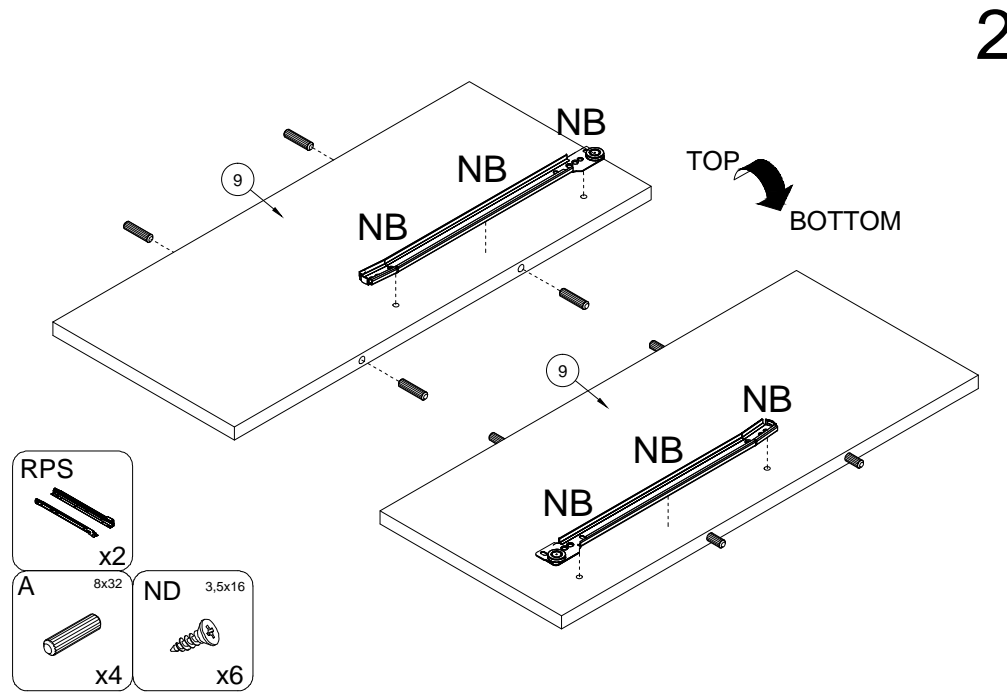
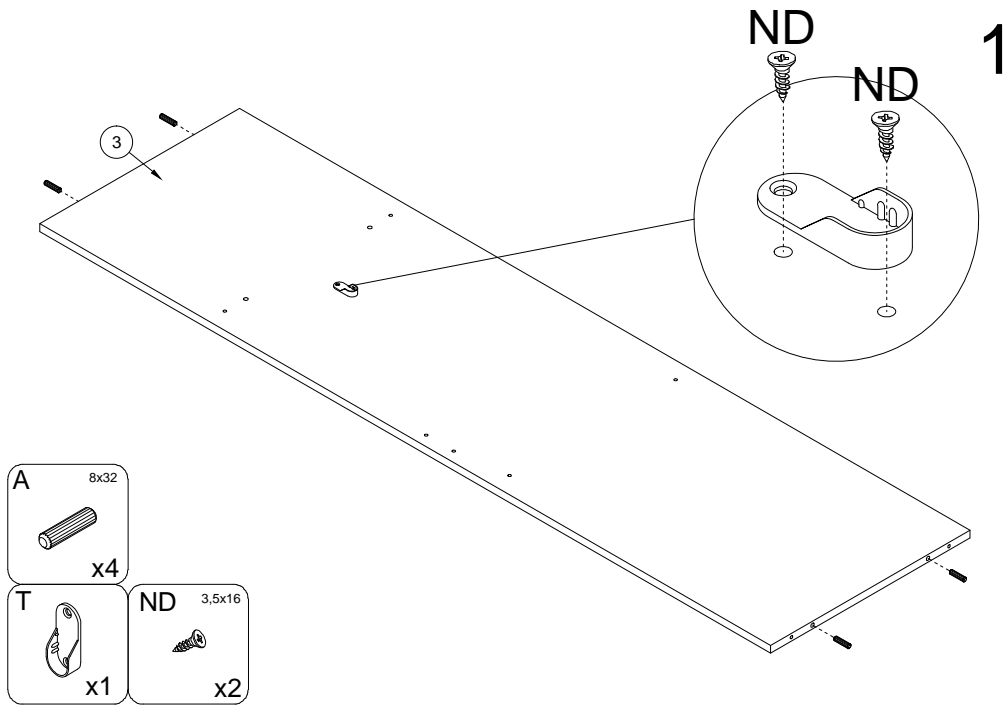


90 min.

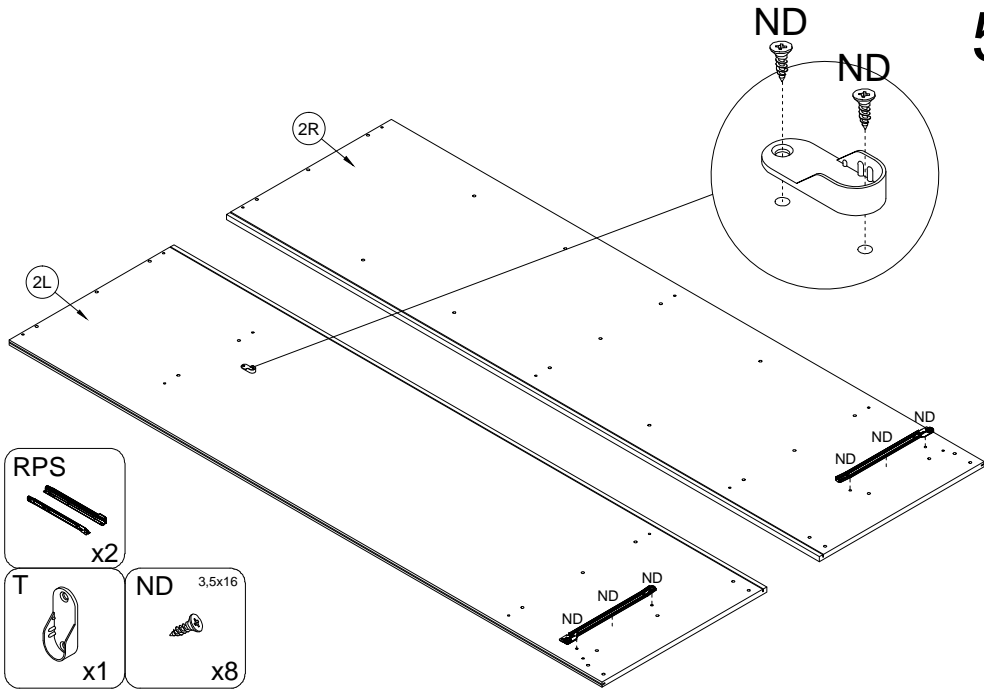


		LM		ZB	
		x16		x12	
S	L-2008mm	N	3x20	W6	L-618mm
	x2		x55		x1
				SP	B
					x8
					x8
				C	Z
					x8
					x4
				SZP	
					x2
A	8x32	RPS	450	X	
	x68		x2		x10
				GLUE	SEV
					x2
					x3
				DB	L-1715mm
					x2
				H	6,3x13
					x16
				DA	
					x4
T		ND	3,5x16	V	3x13
	x2		x48		x16
				PR	YD
					x4
					x24
				WB	ZG
					x1
					x20
				D	
					x4

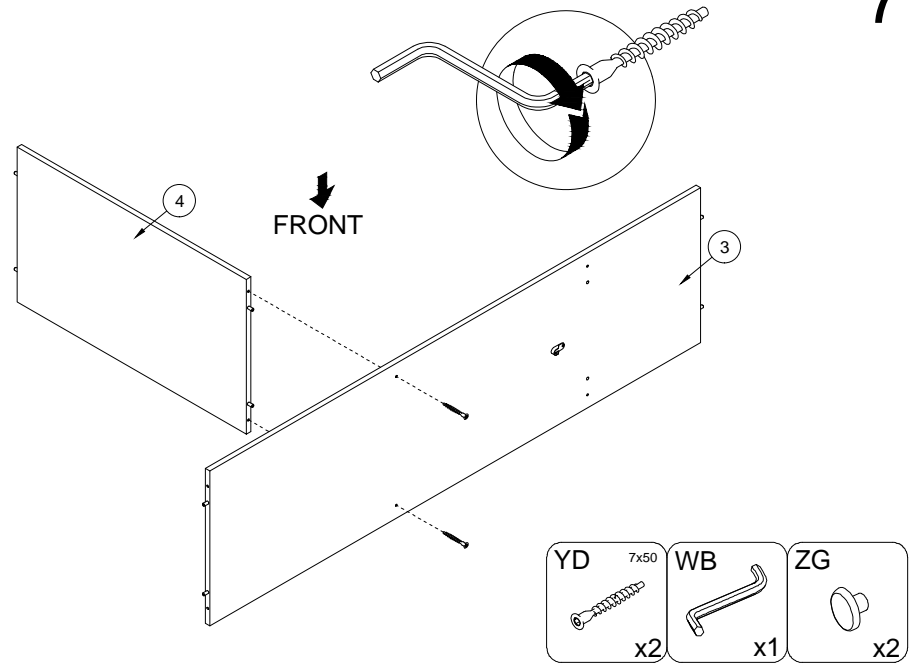




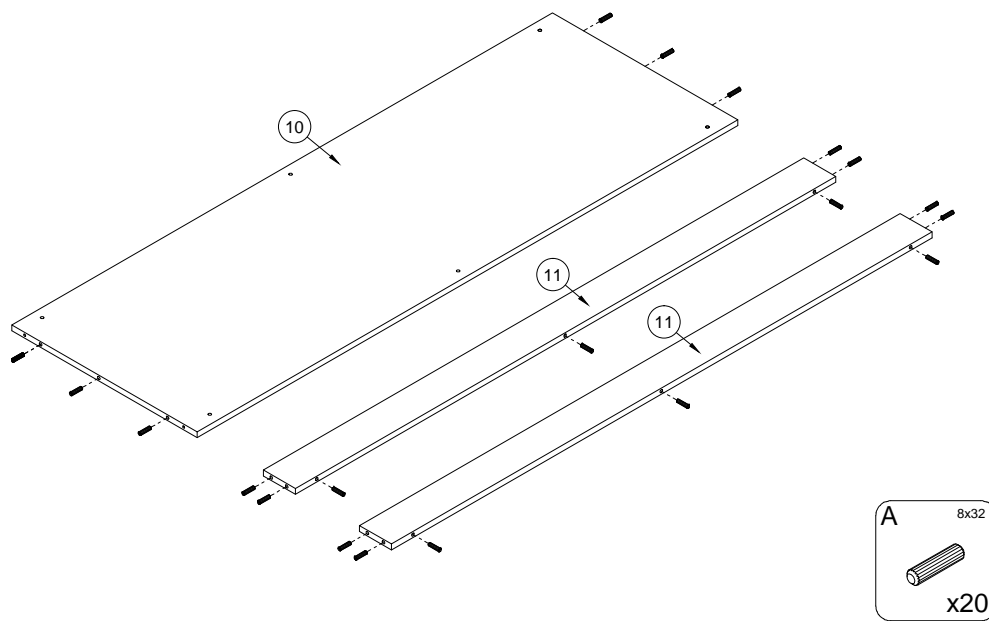
5



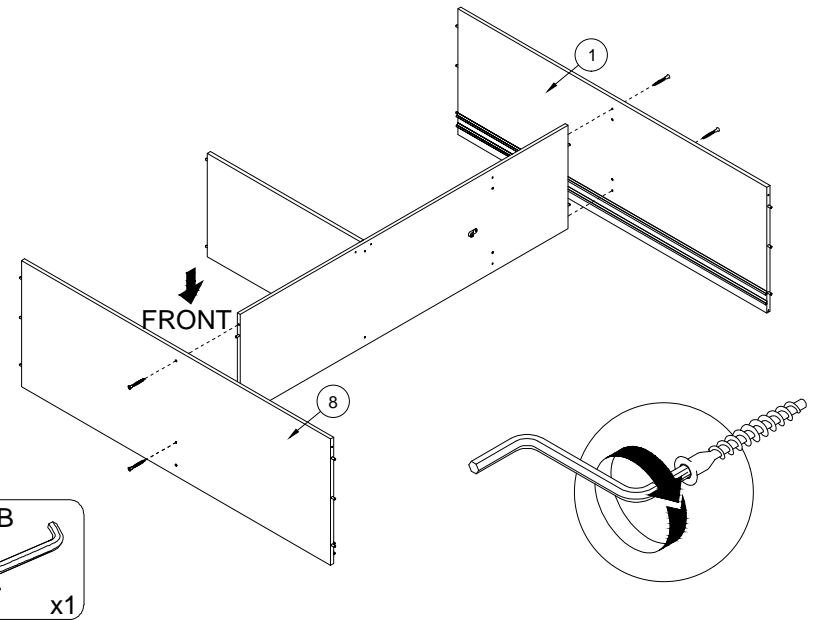
7

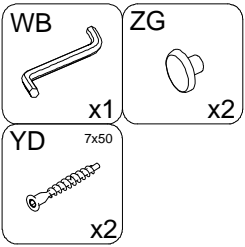


6

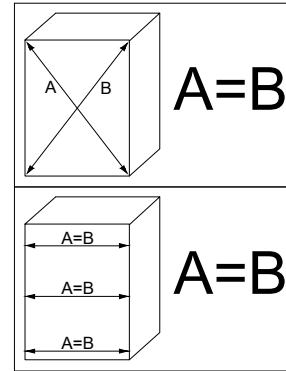
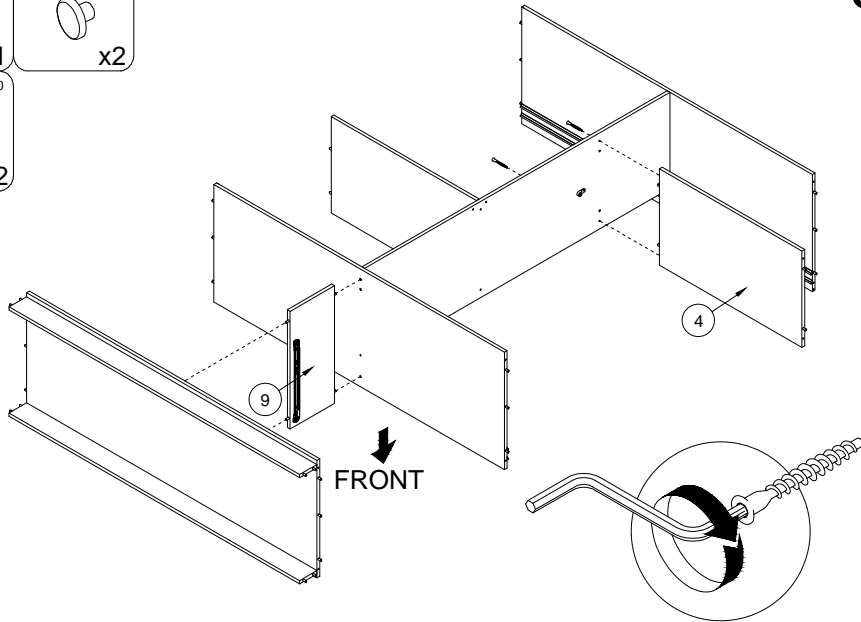


8

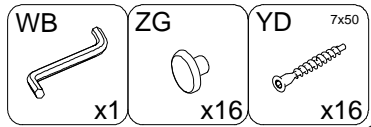




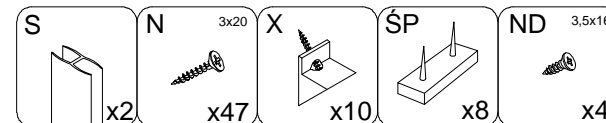
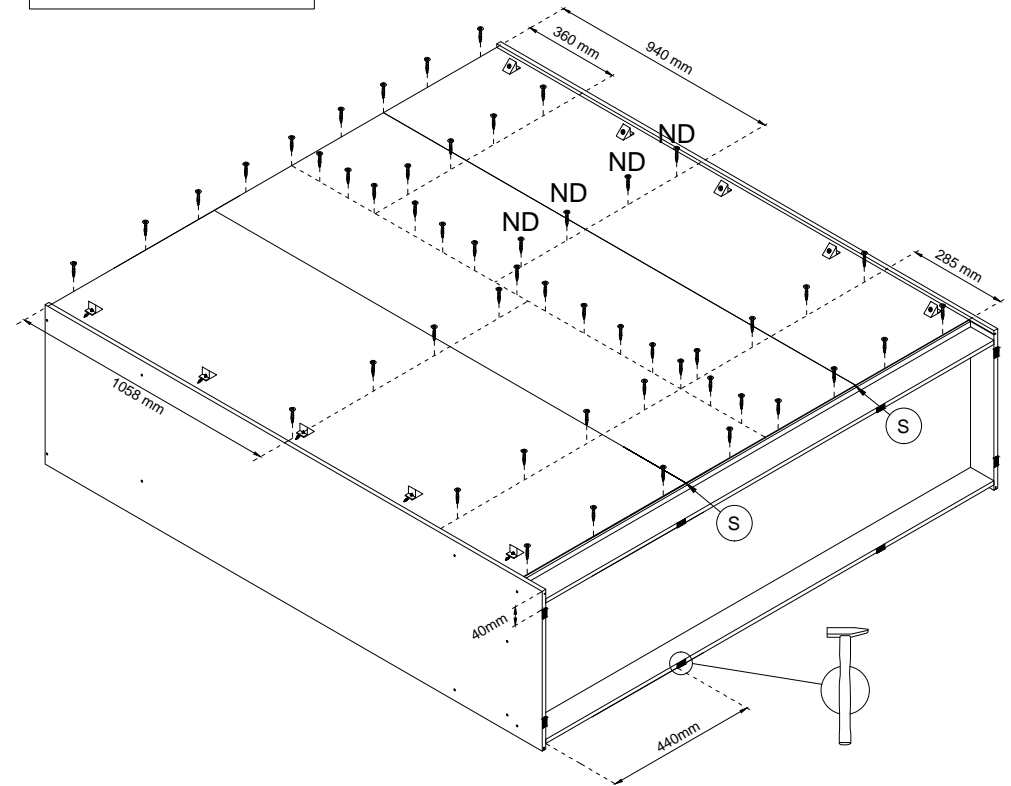
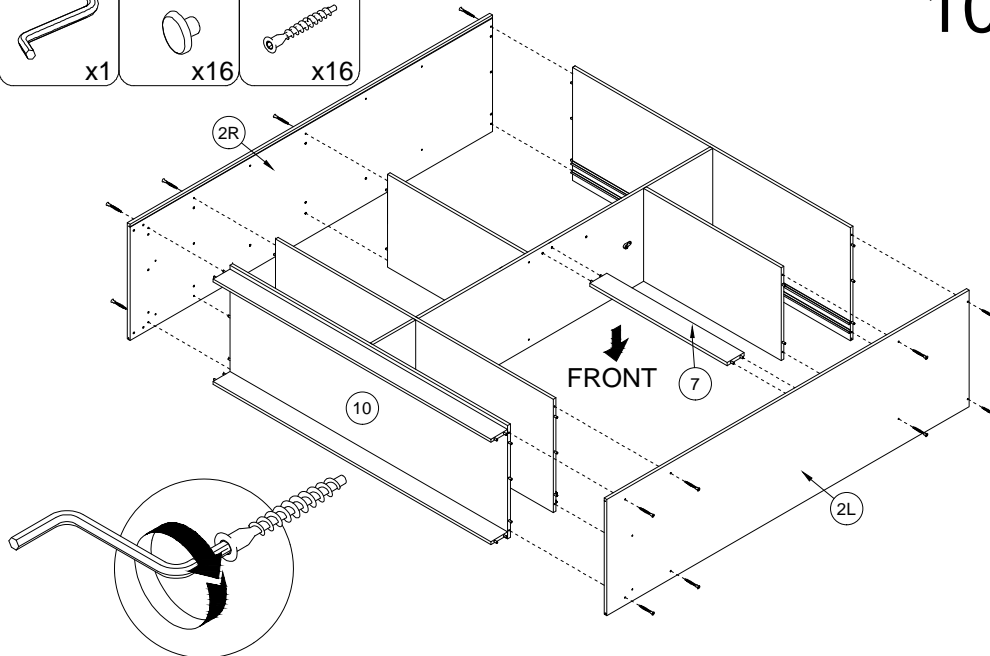
9



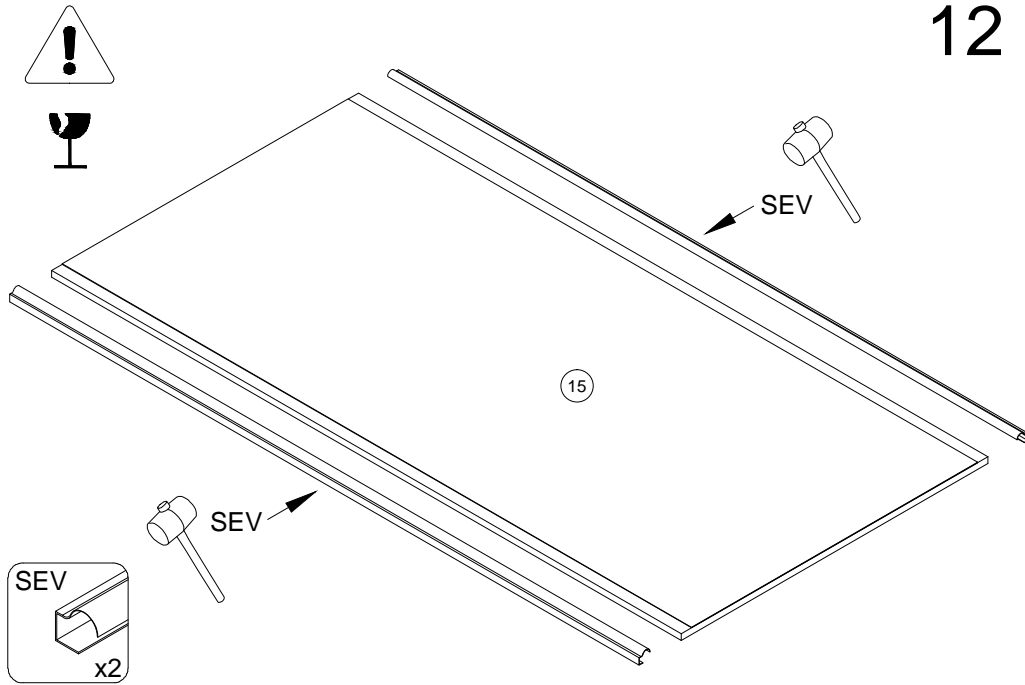
11



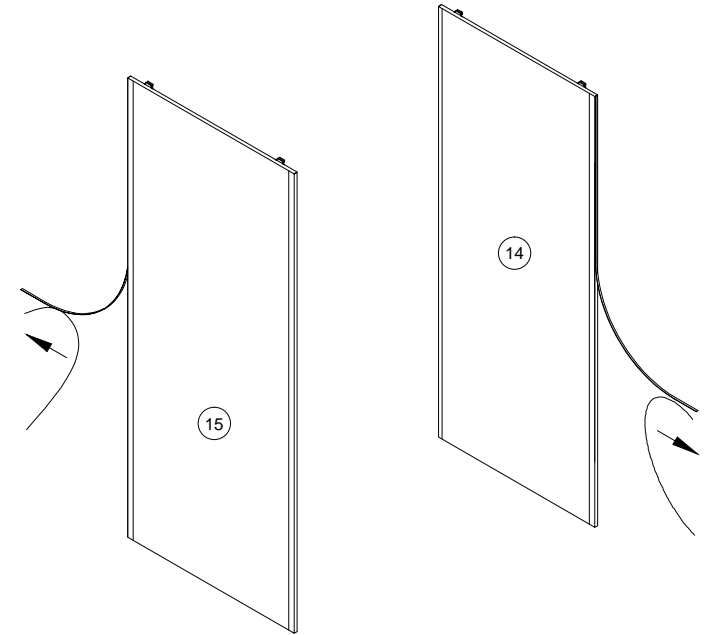
10



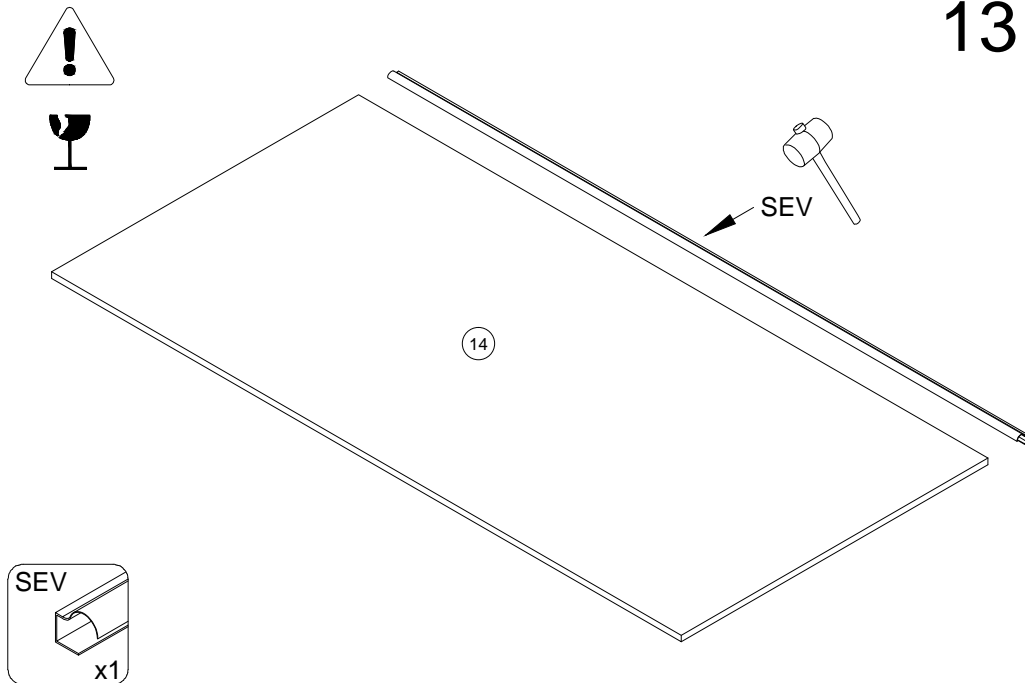
12



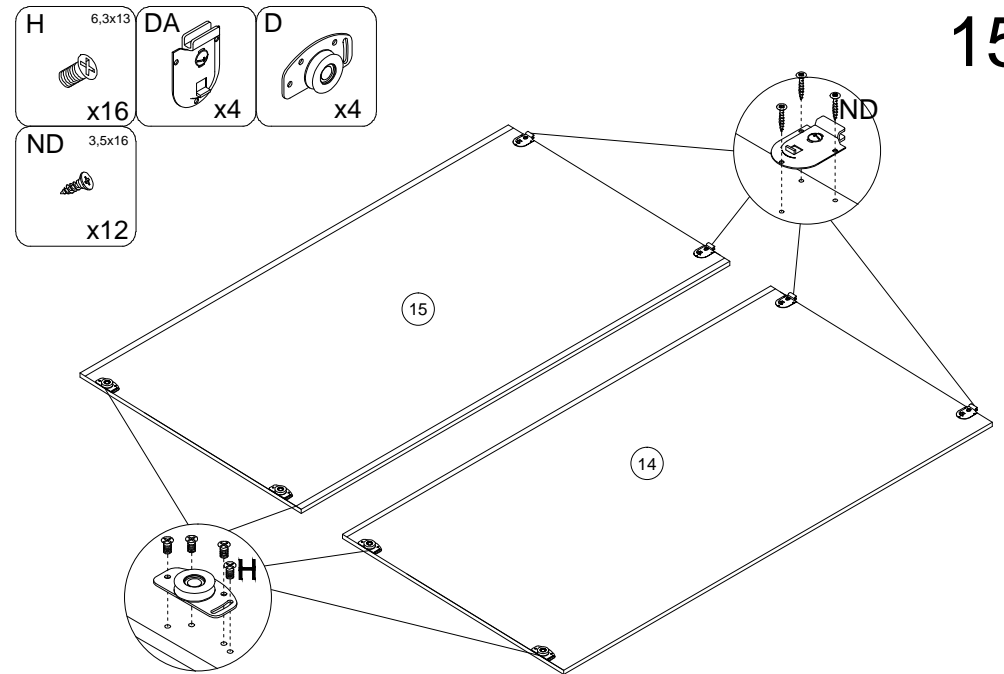
14



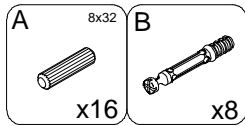
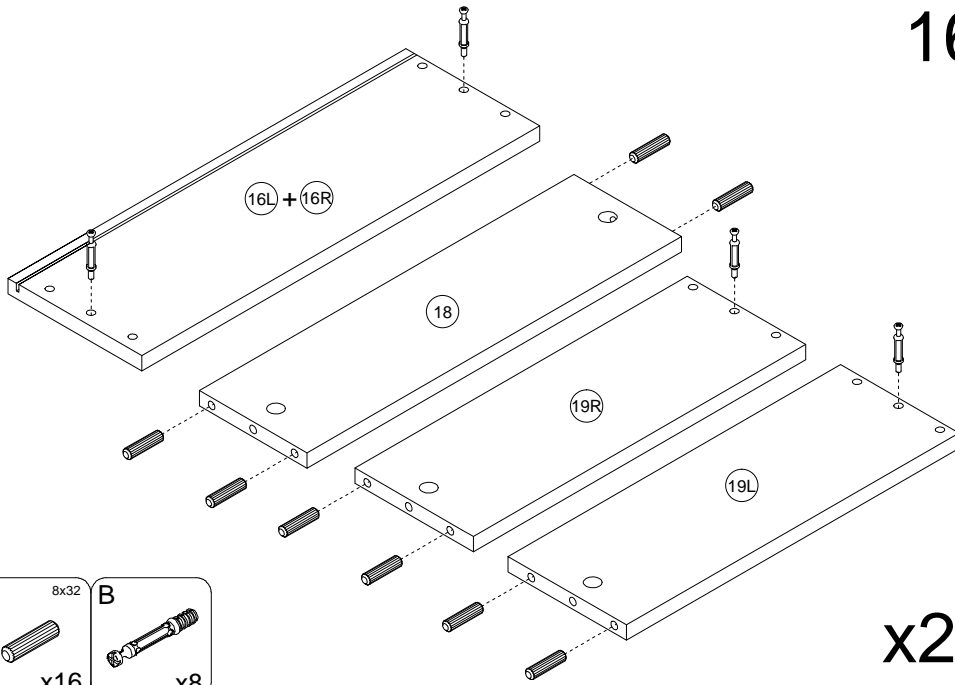
13



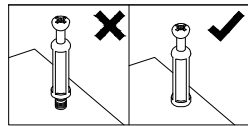
15



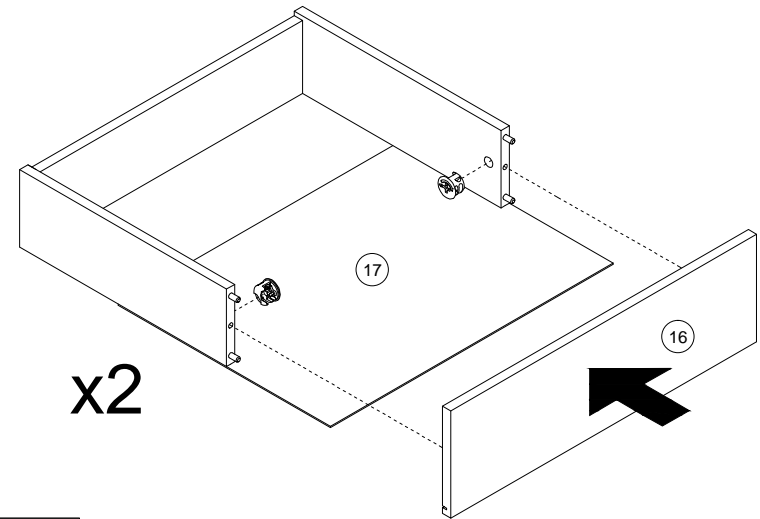
16



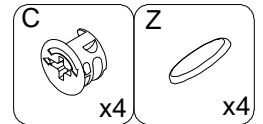
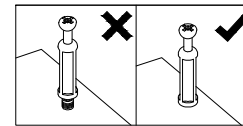
x2



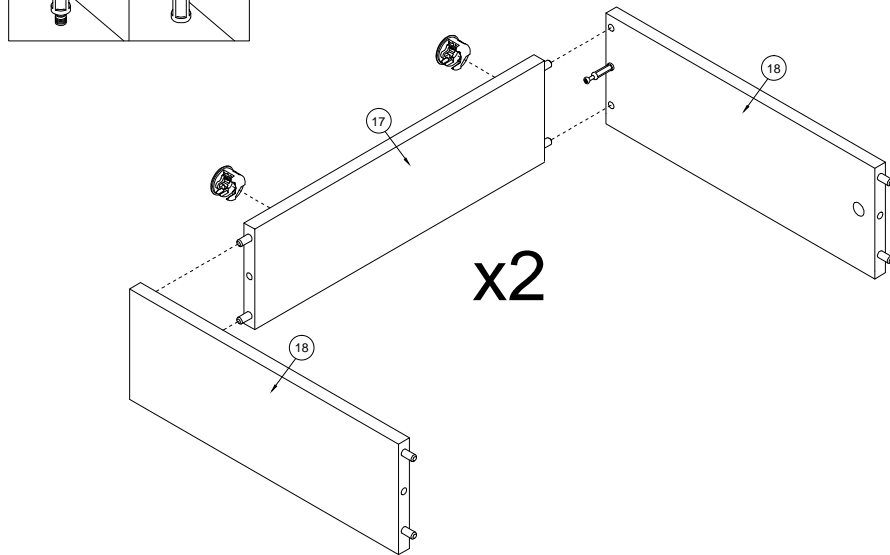
18



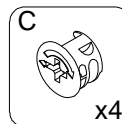
x2



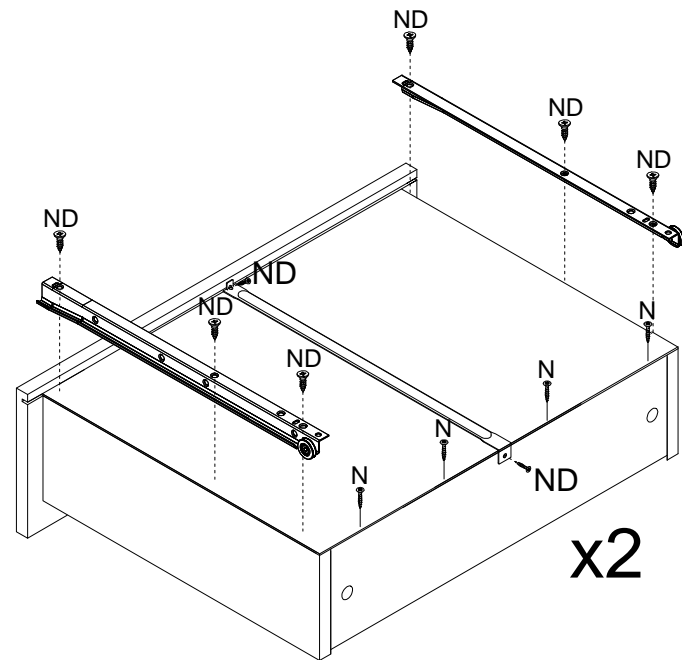
17



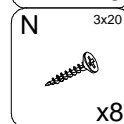
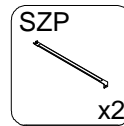
x2



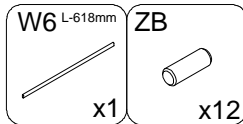
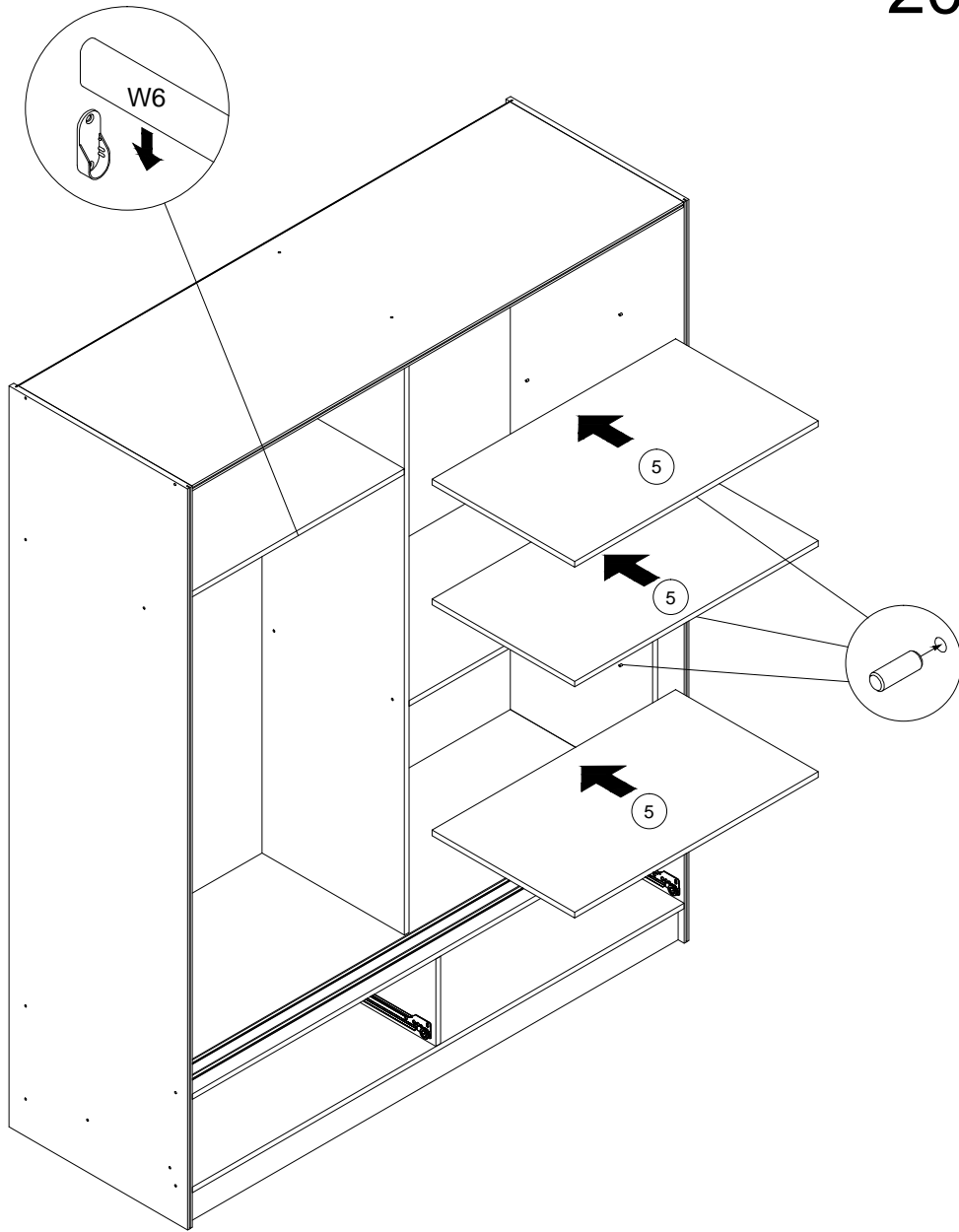
19



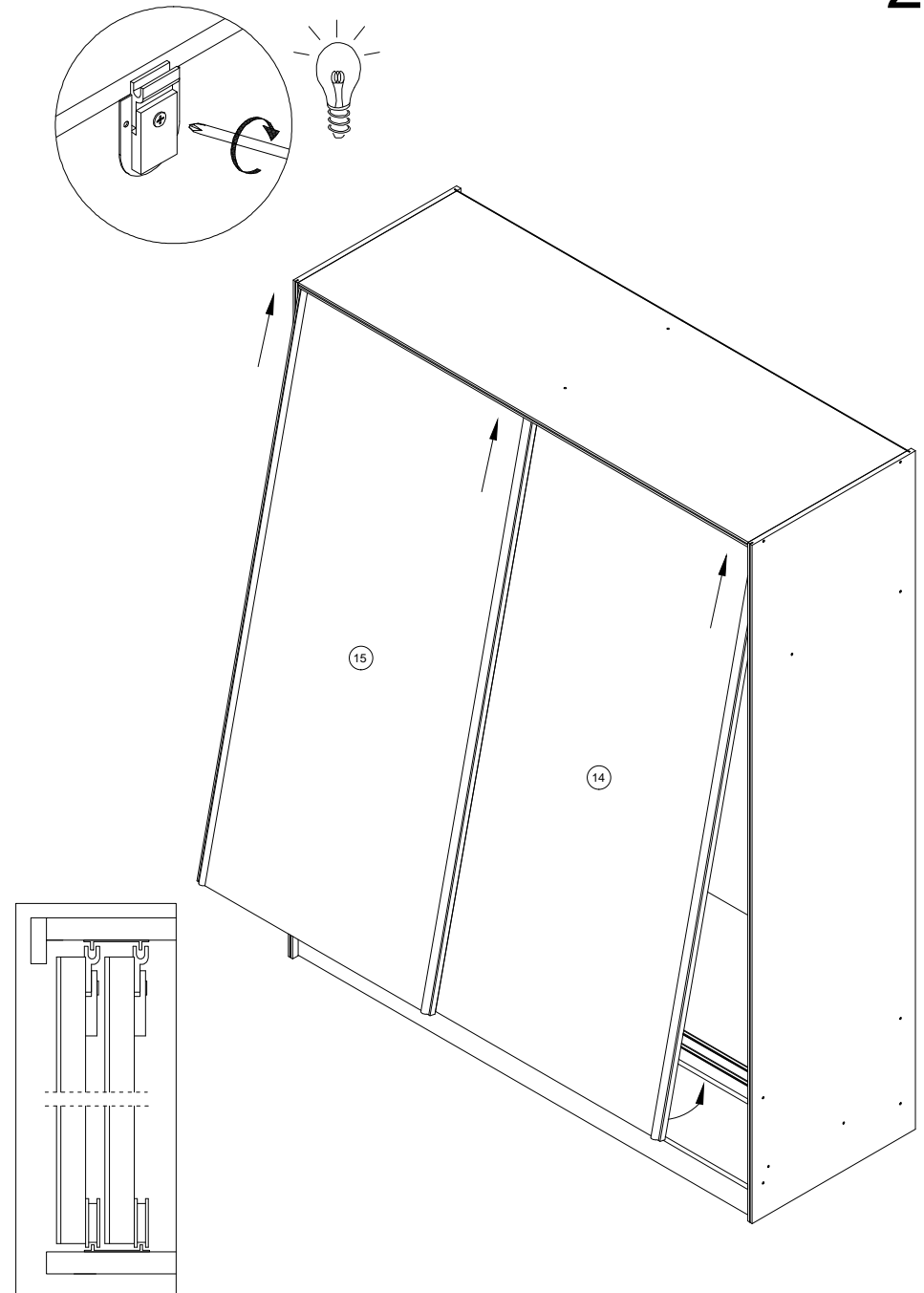
x2



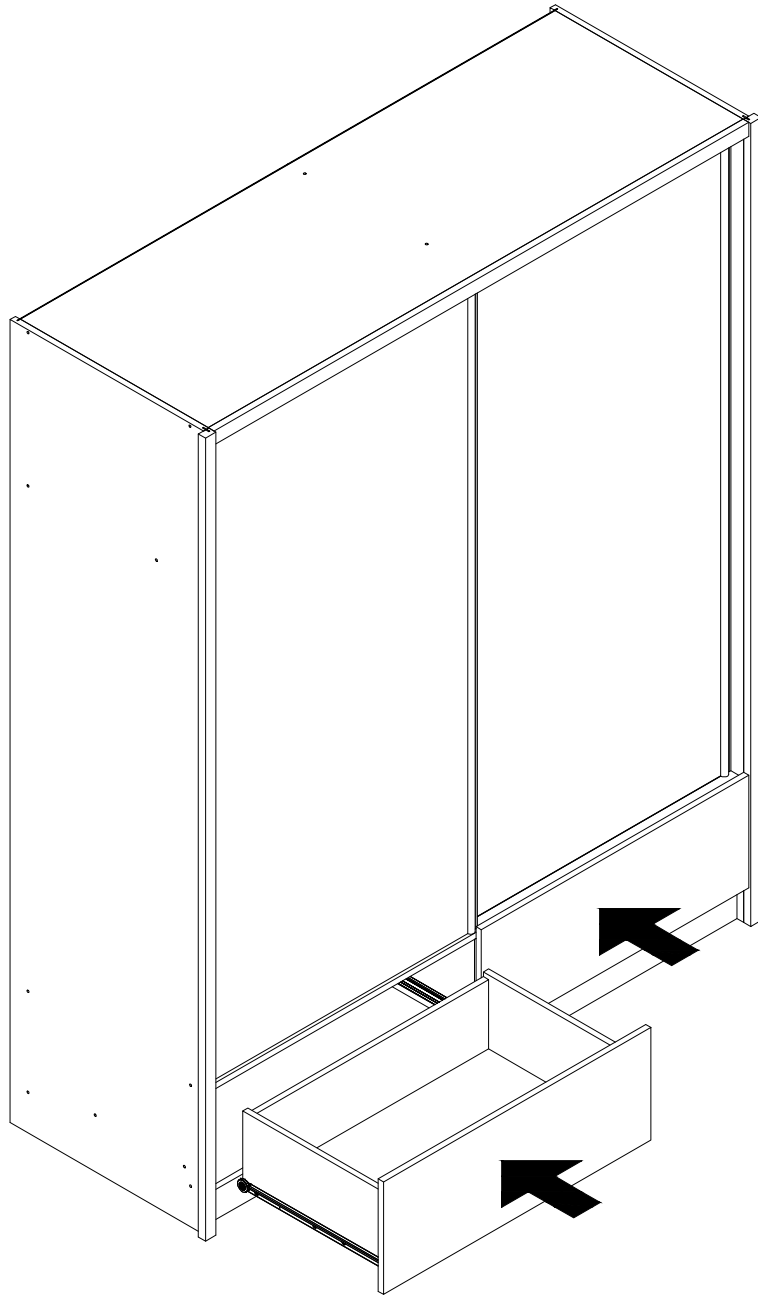
20



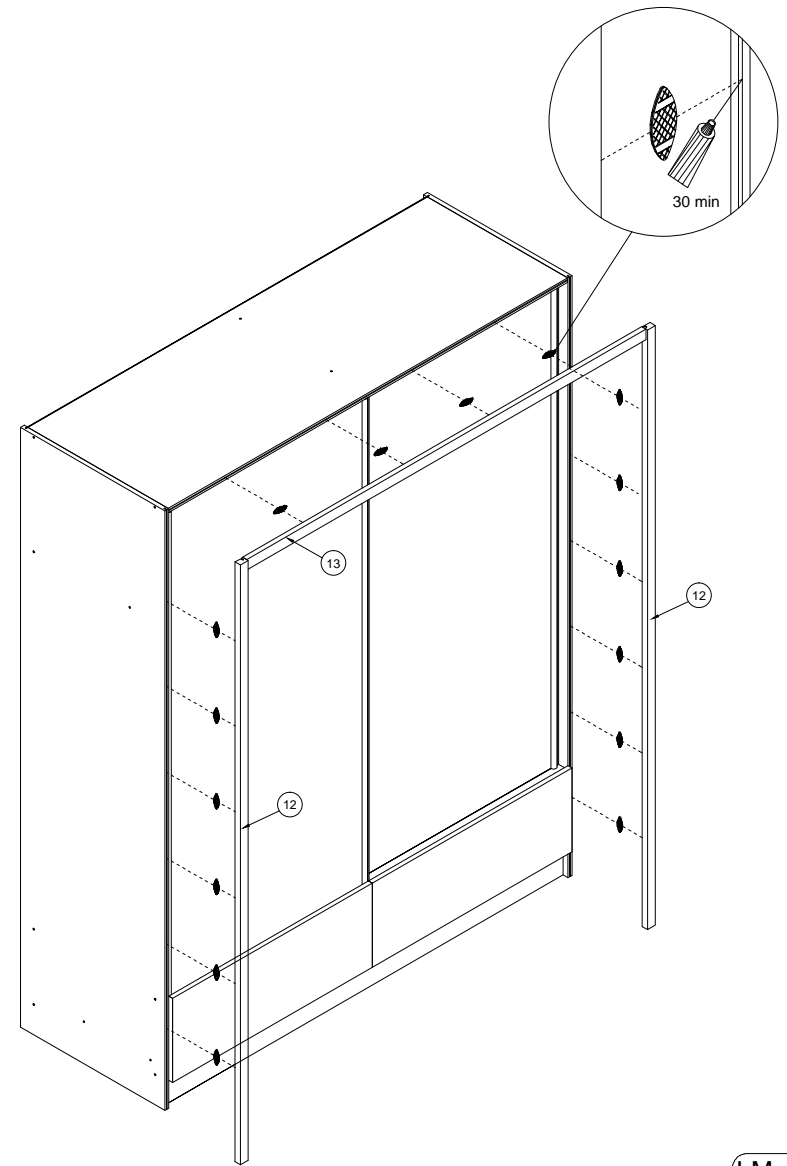
21



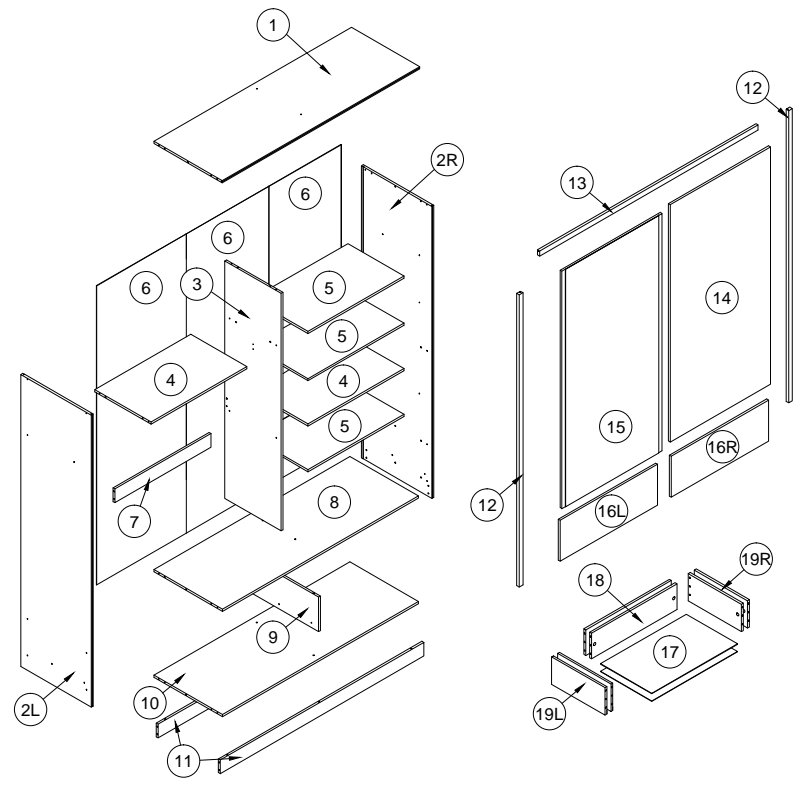
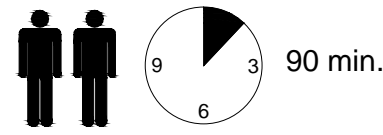
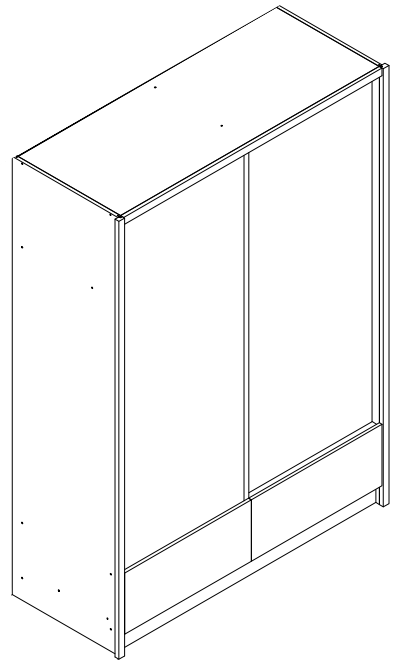
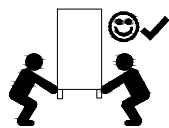
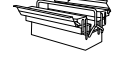
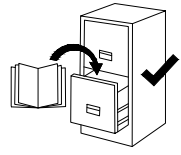
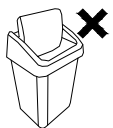
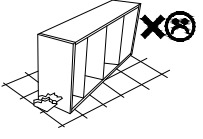
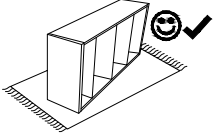
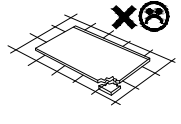
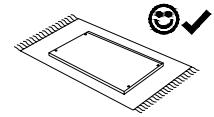
22



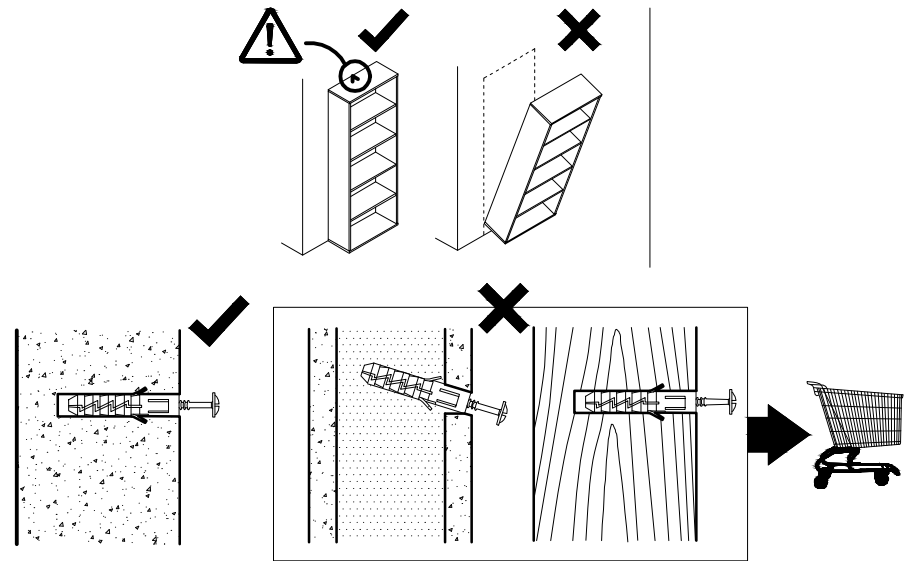
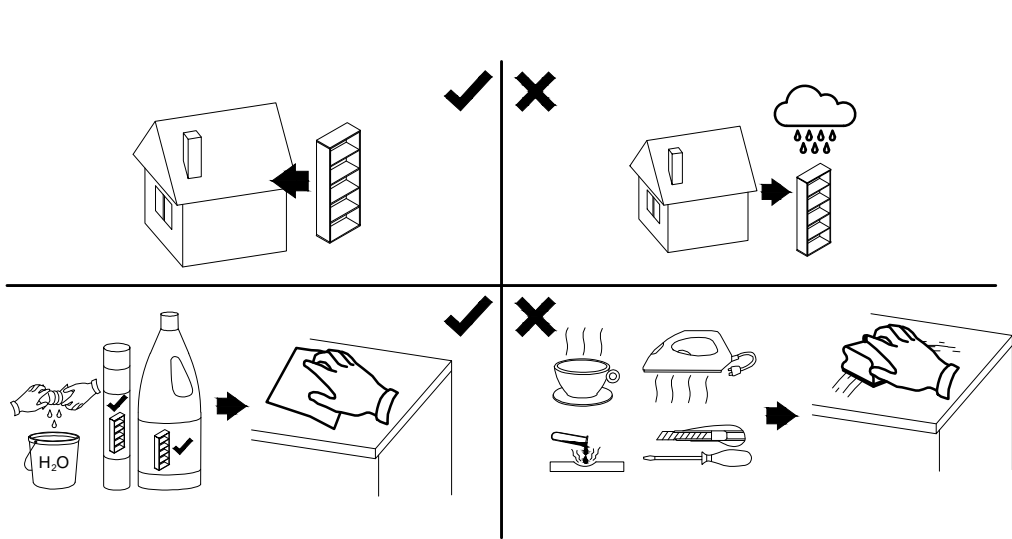
23

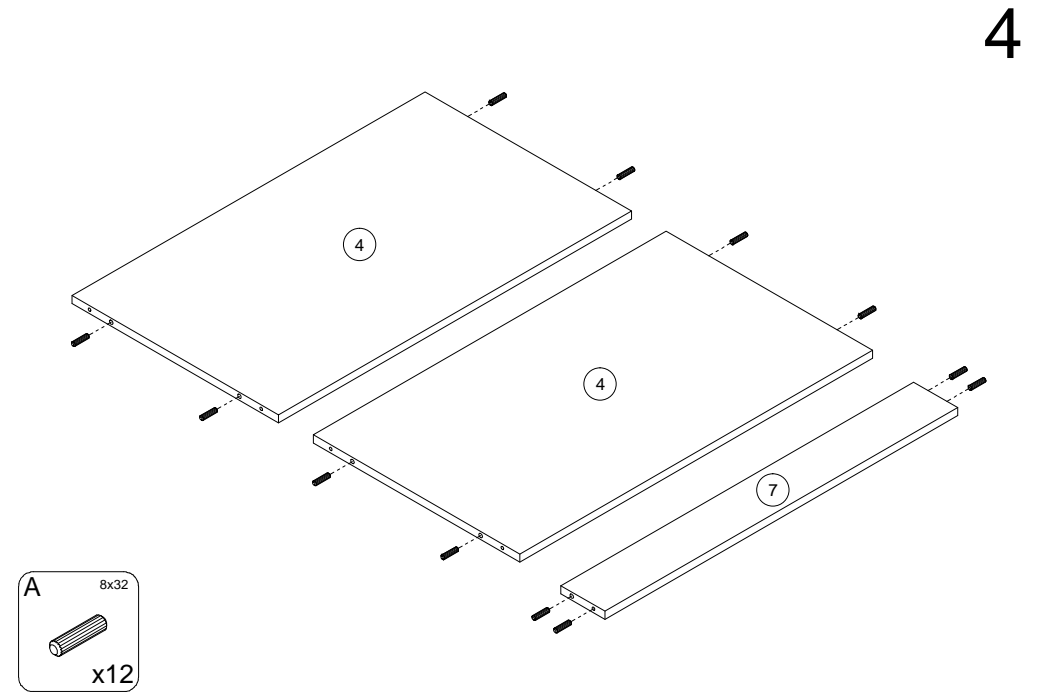
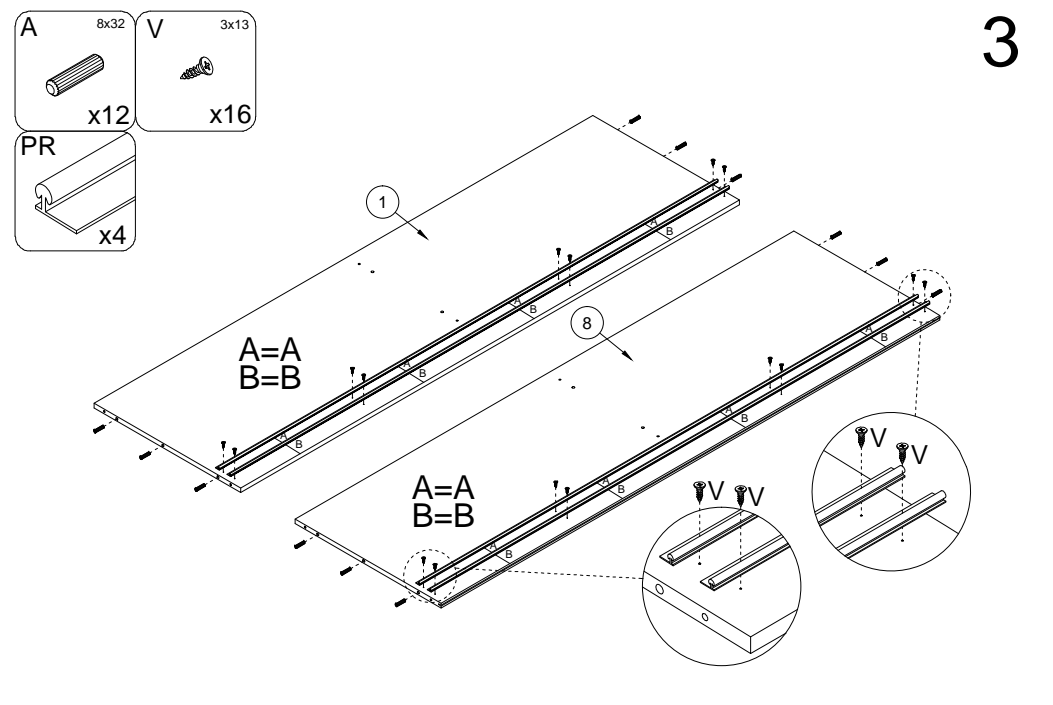
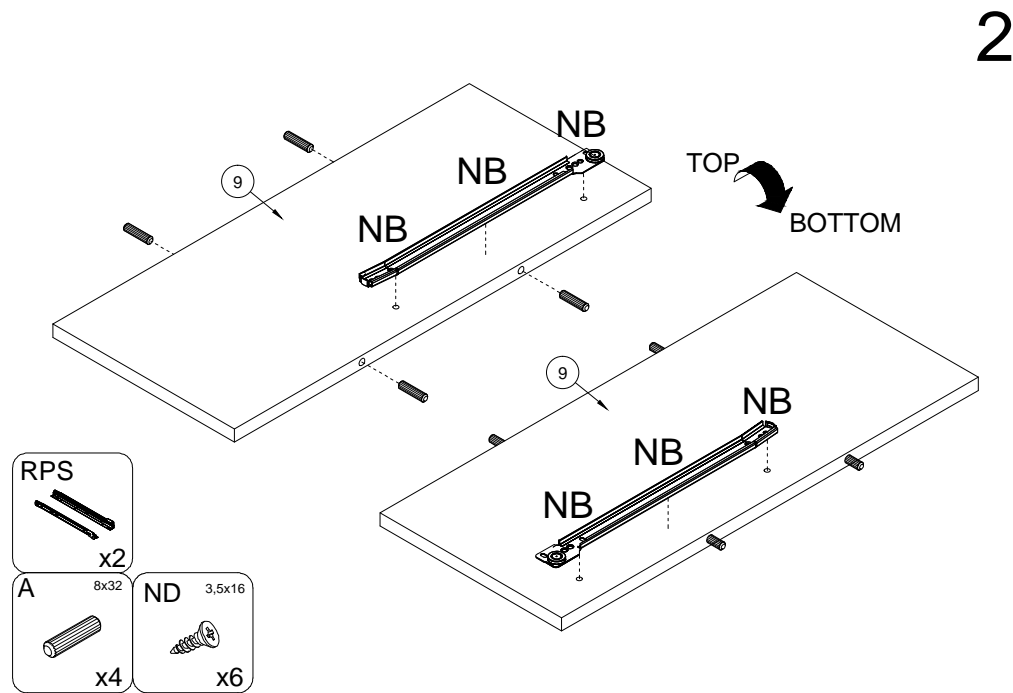
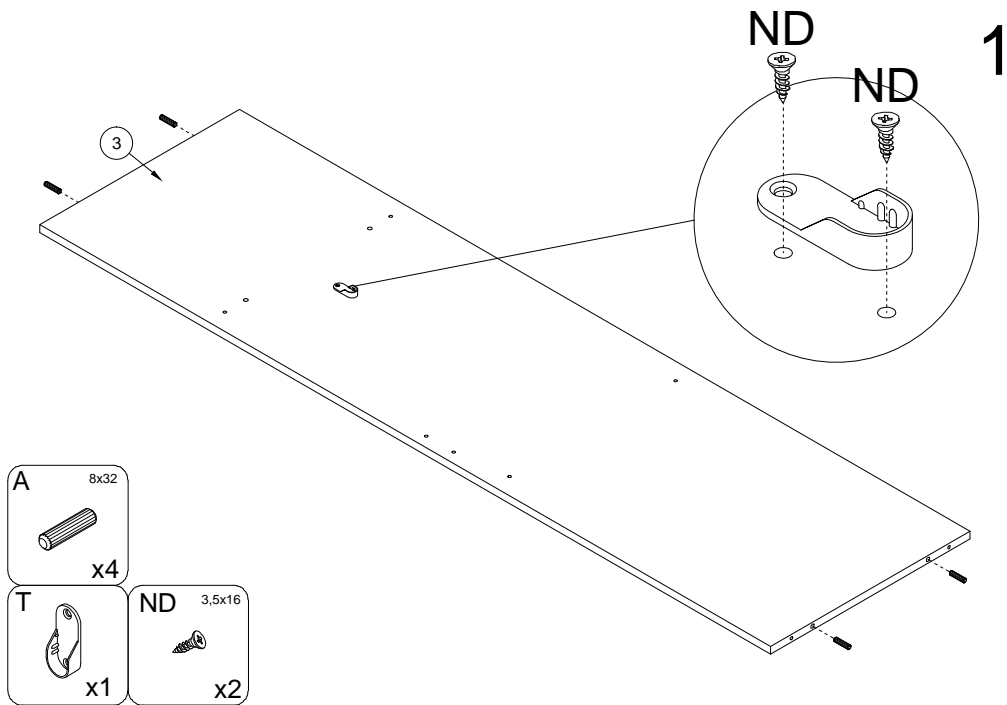


150

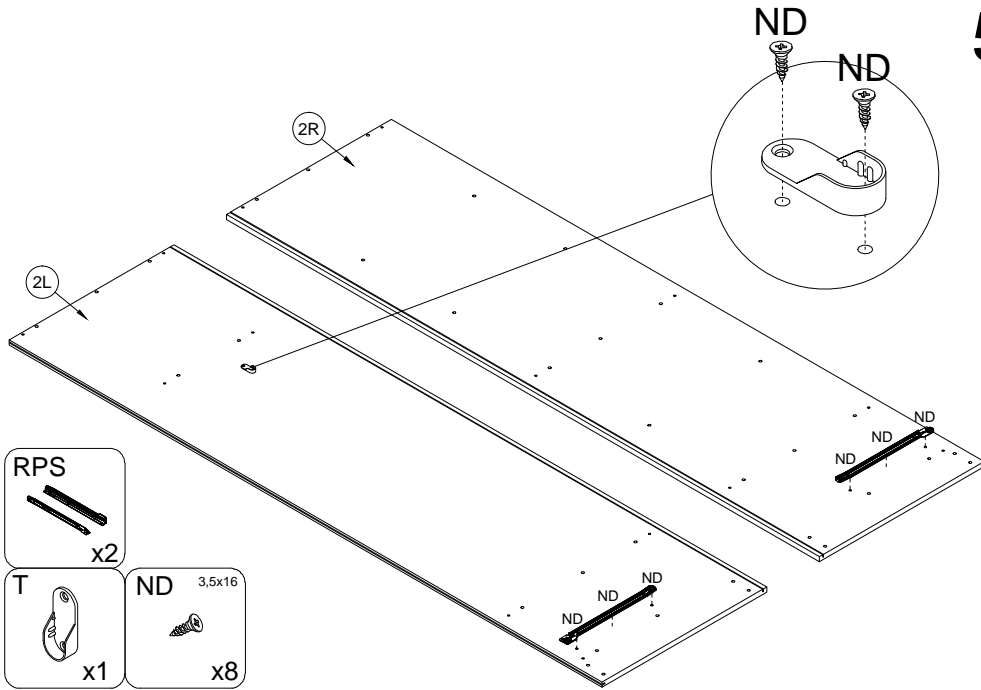


		LM		ZB	
		x17		x12	
S	L-2008mm	N	3x20	W6	L-618mm
	x2		x67		x1
SP		B		C	
	x8		x8		x8
Z		SZP			
	x4		x2		
A	8x32	RPS		X	
	x70		x2		x10
GLUE		SEV		DB	L-1715mm
	x2		x3		x2
H	6,3x13	DA			
	x16		x4		
T		ND	3,5x16	V	3x13
	x2		x49		x16
PR		YD	7x50	WB	
	x4		x24		x1
ZG		D			
	x20		x4		

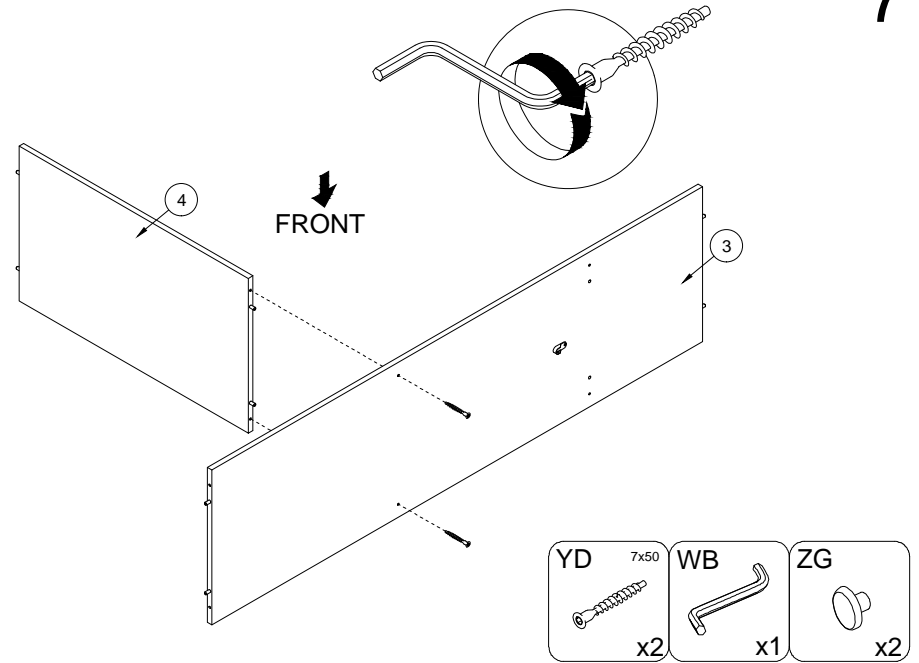




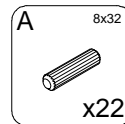
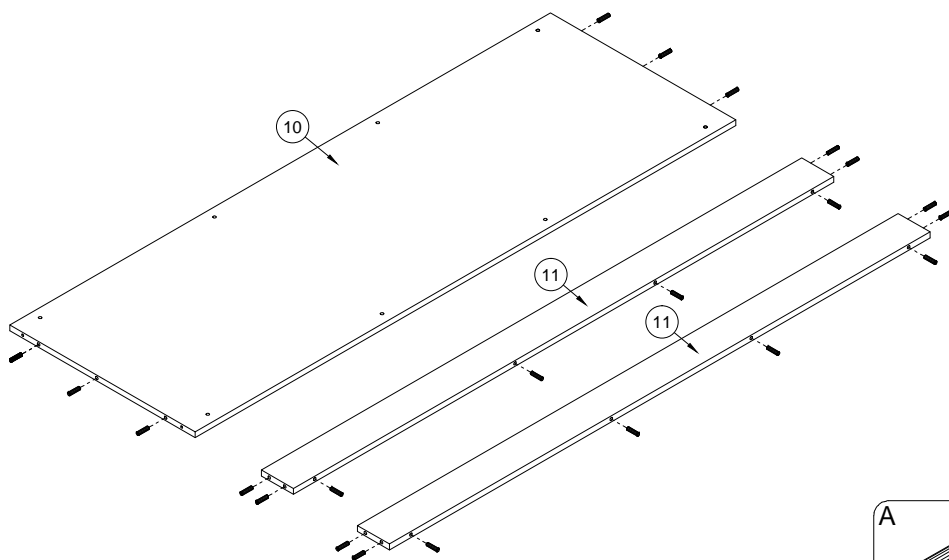
5



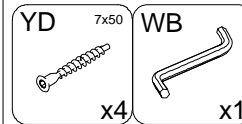
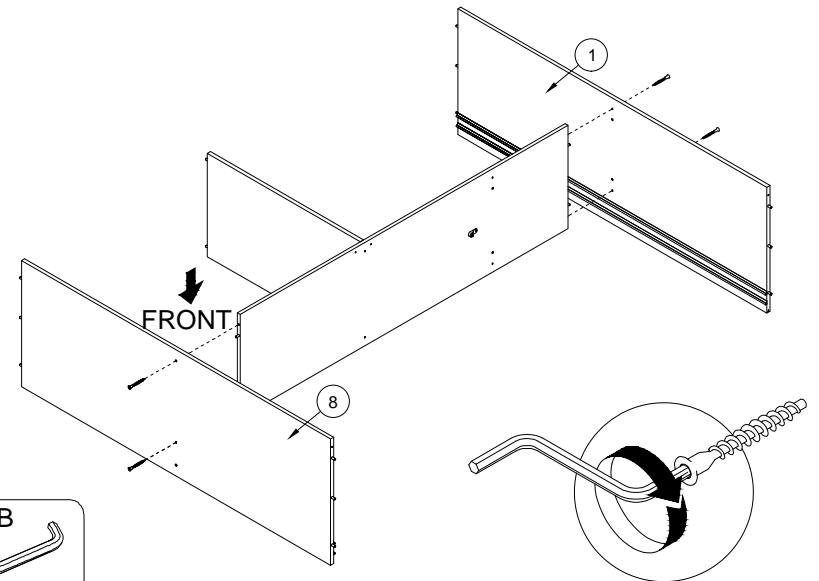
7

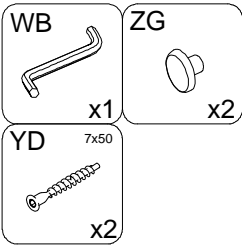


6

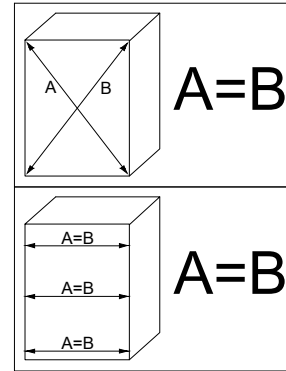
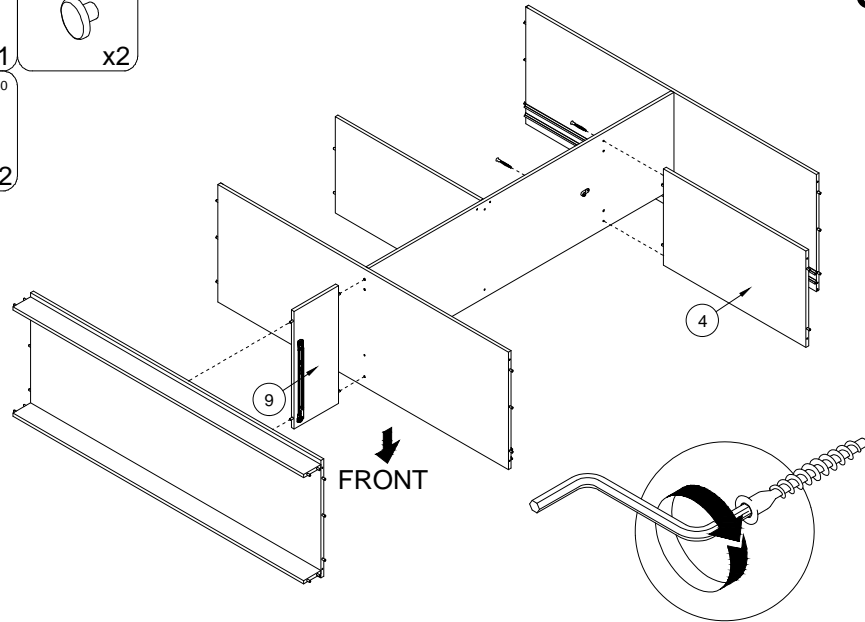


8

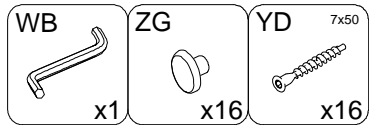
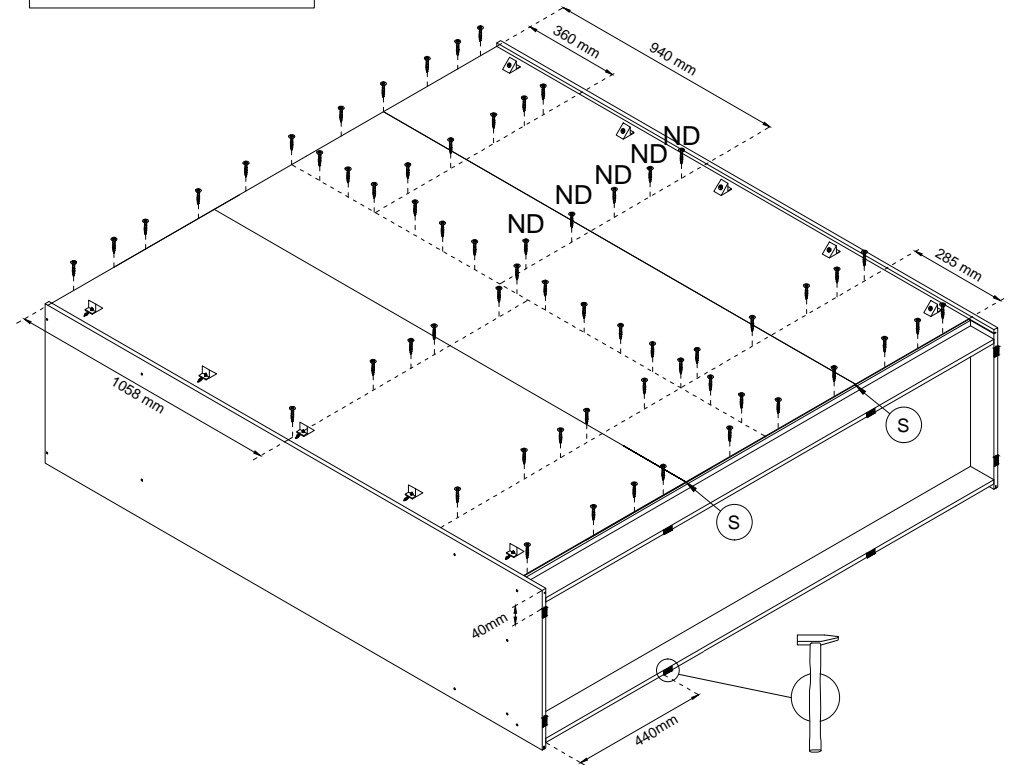




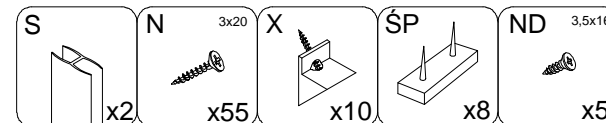
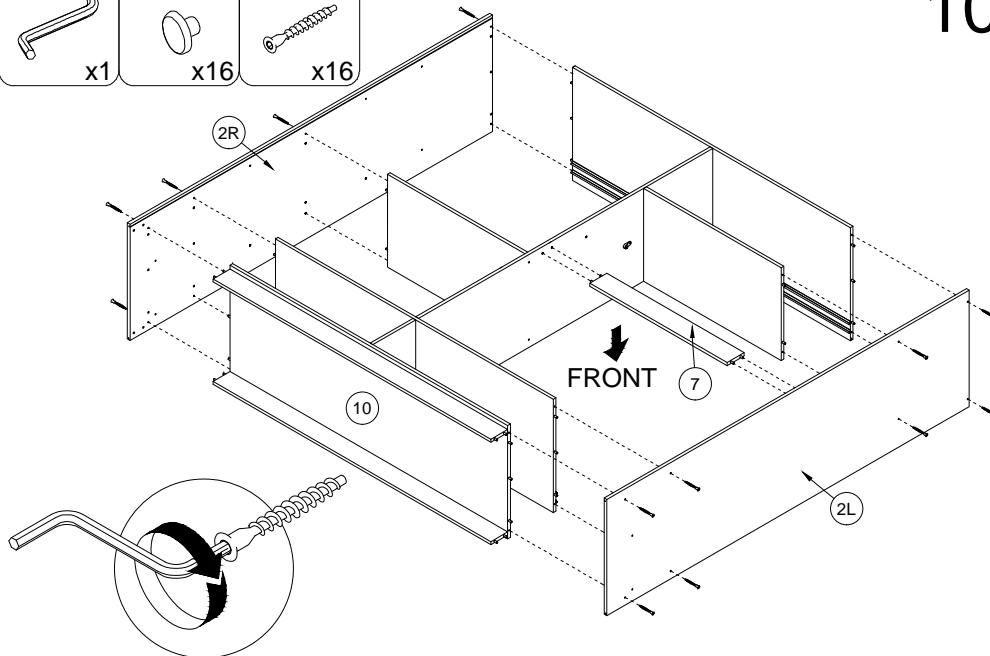
9



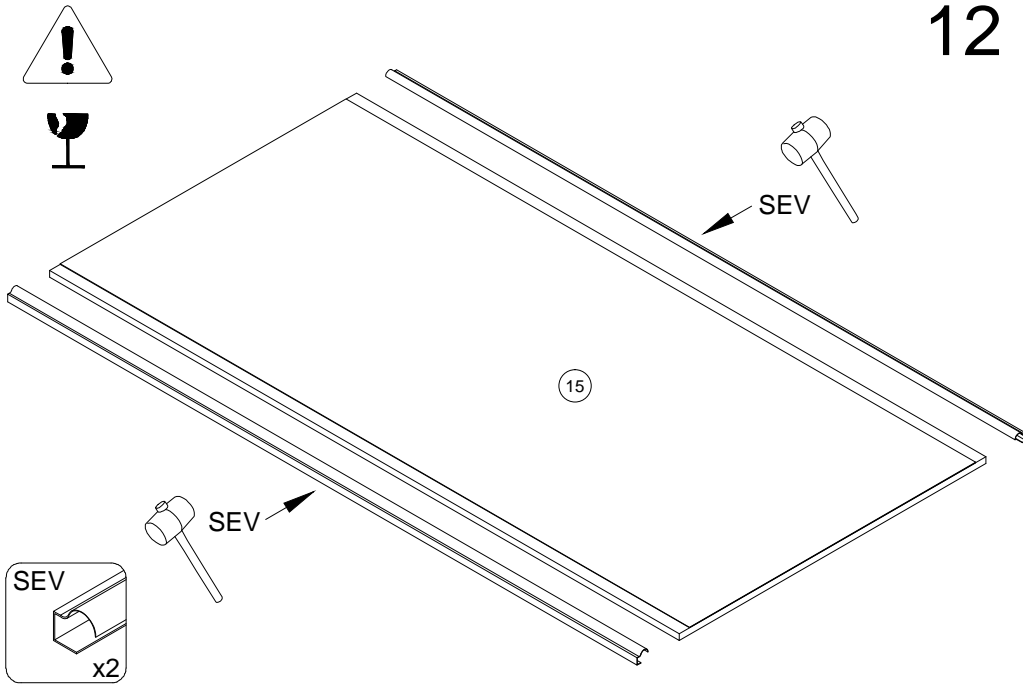
11



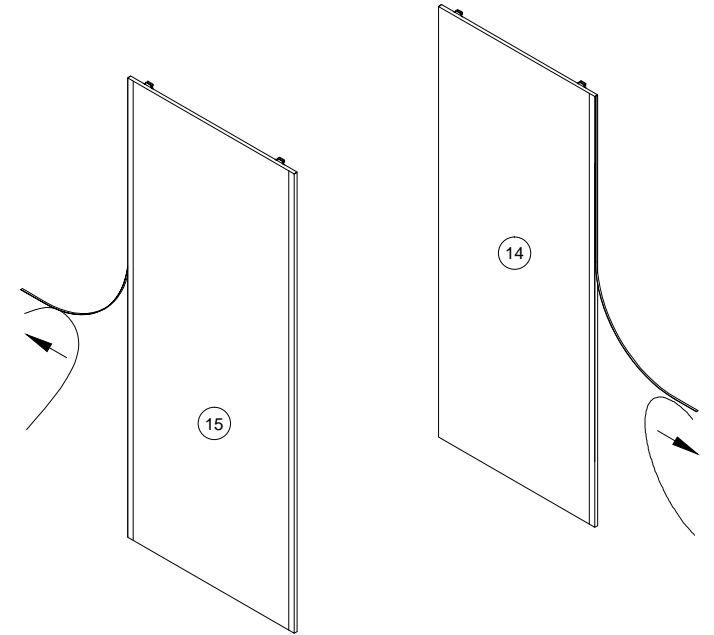
10



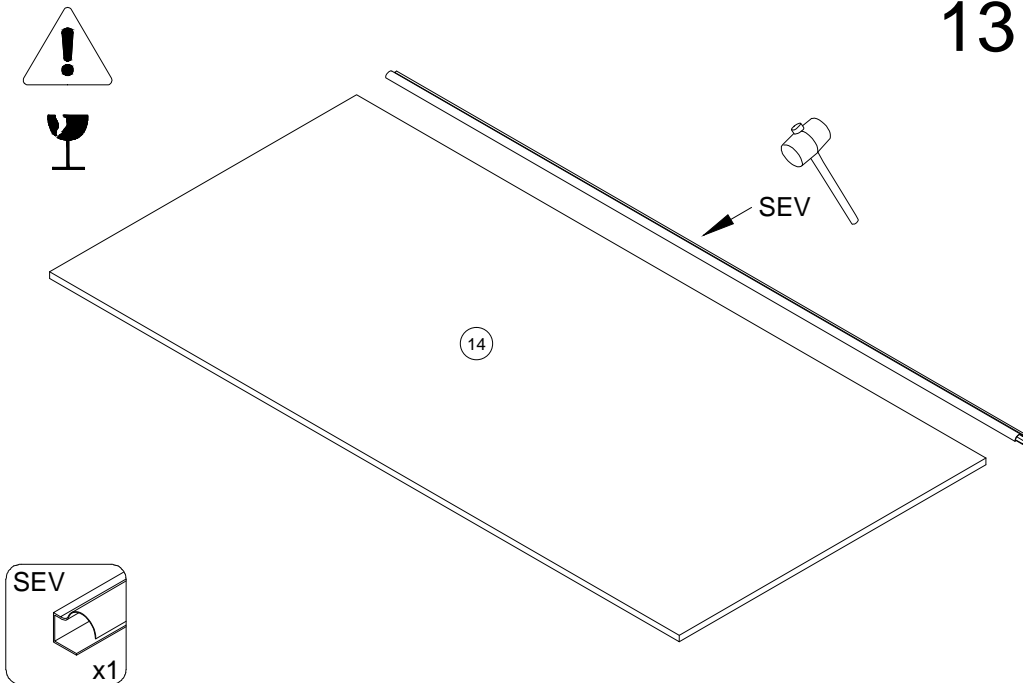
12



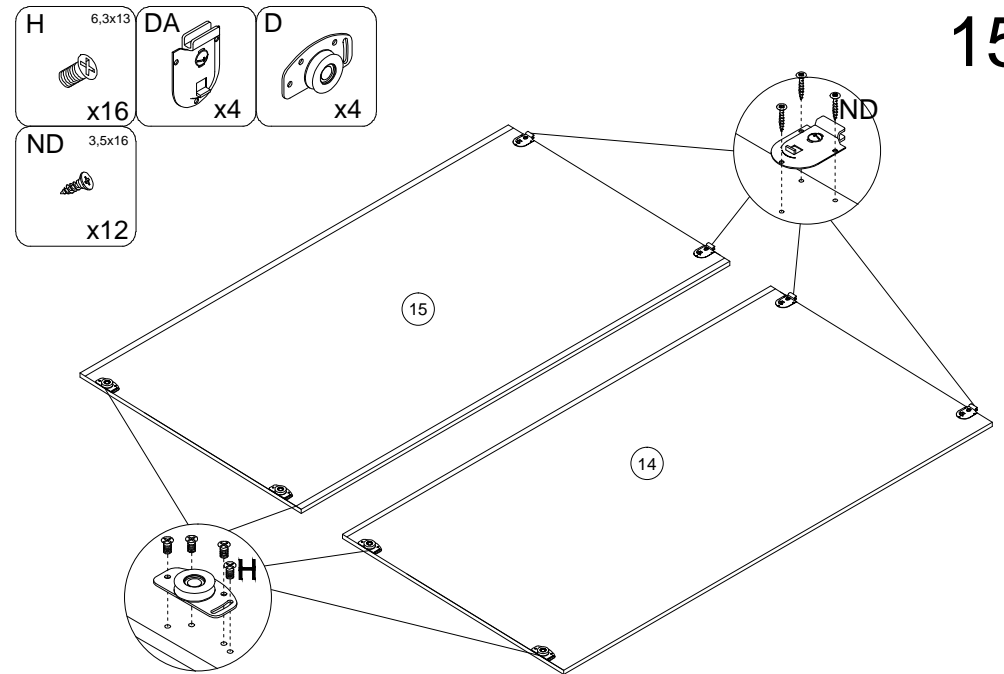
14

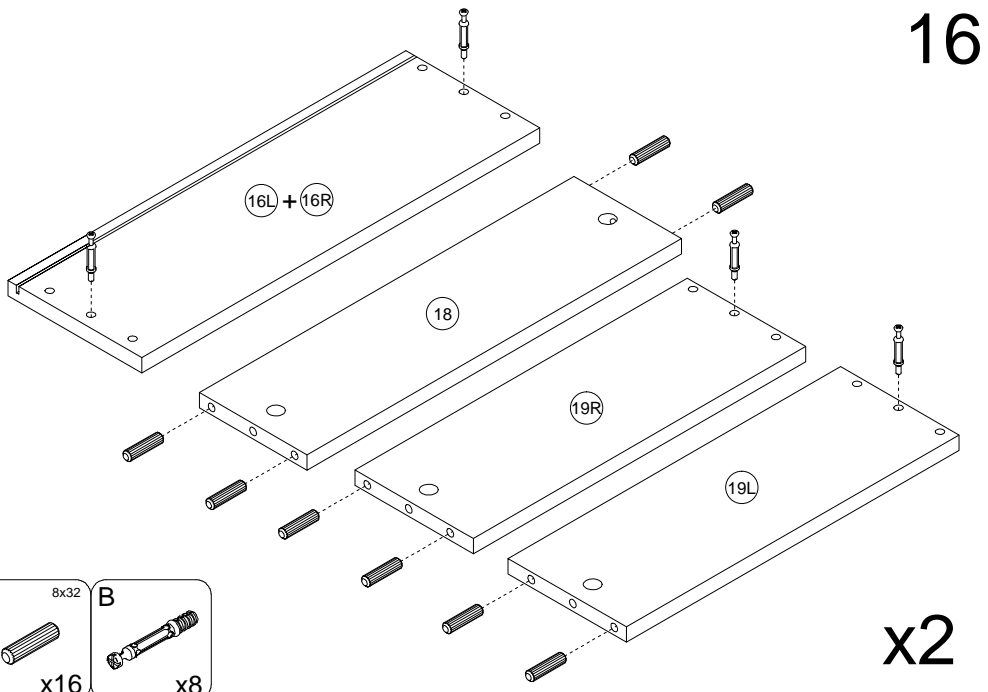


13

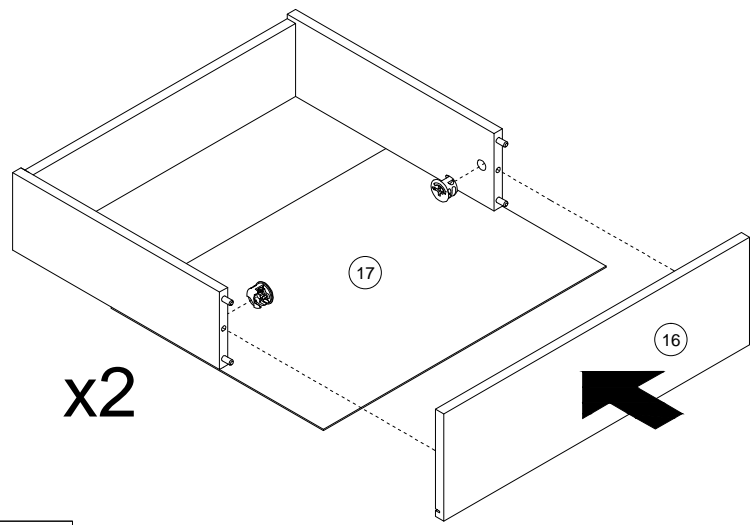


15

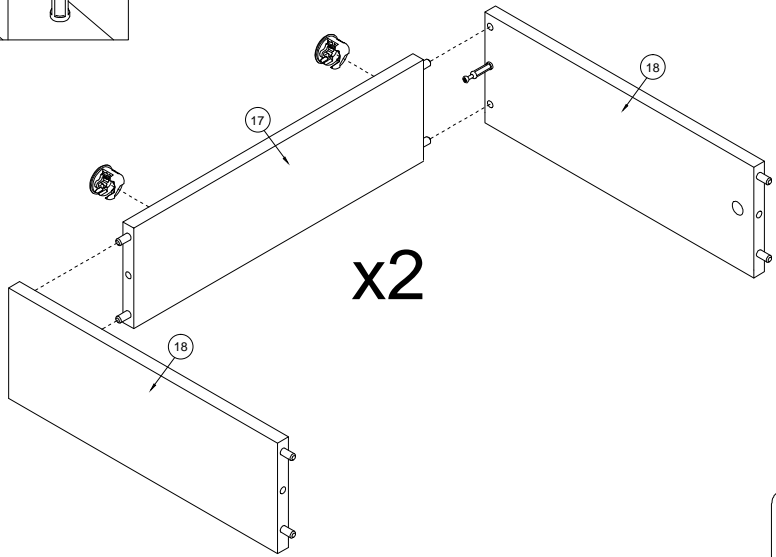
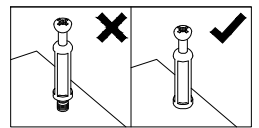
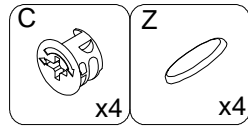
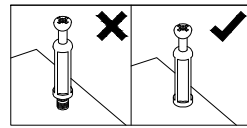




16

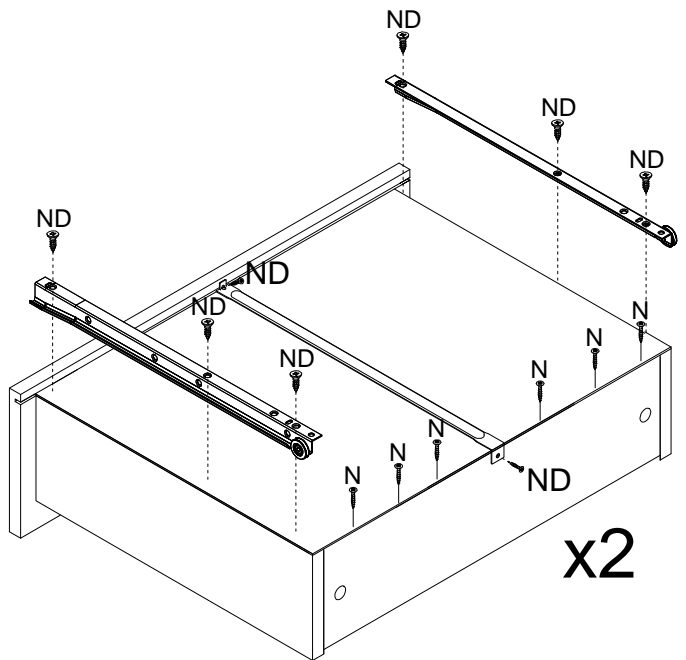
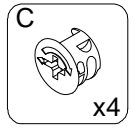


18



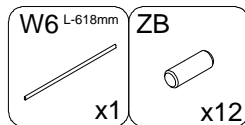
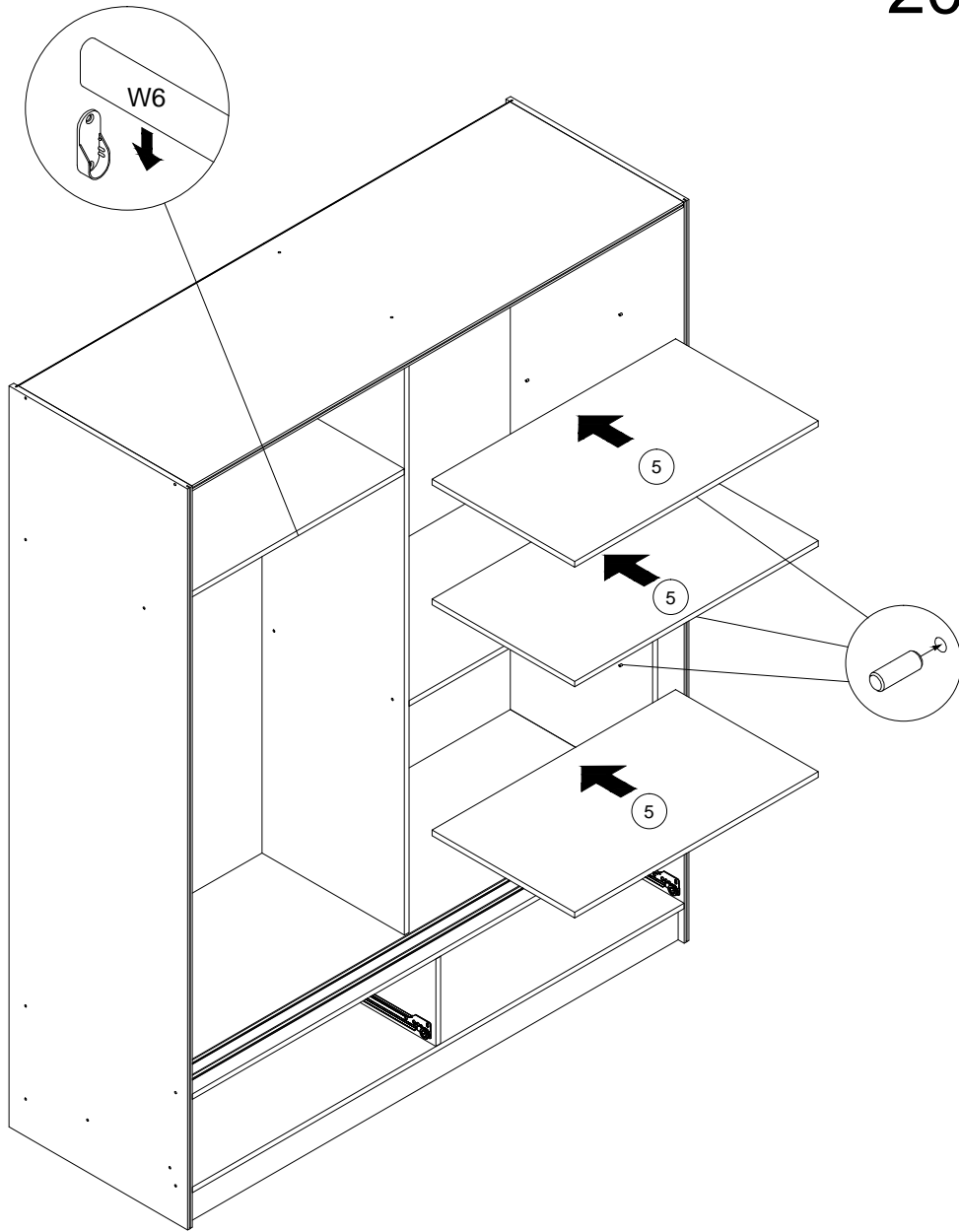
17

- SZP x2
- RPS x2
- ND 3,5x16 x16
- N 3x20 x12

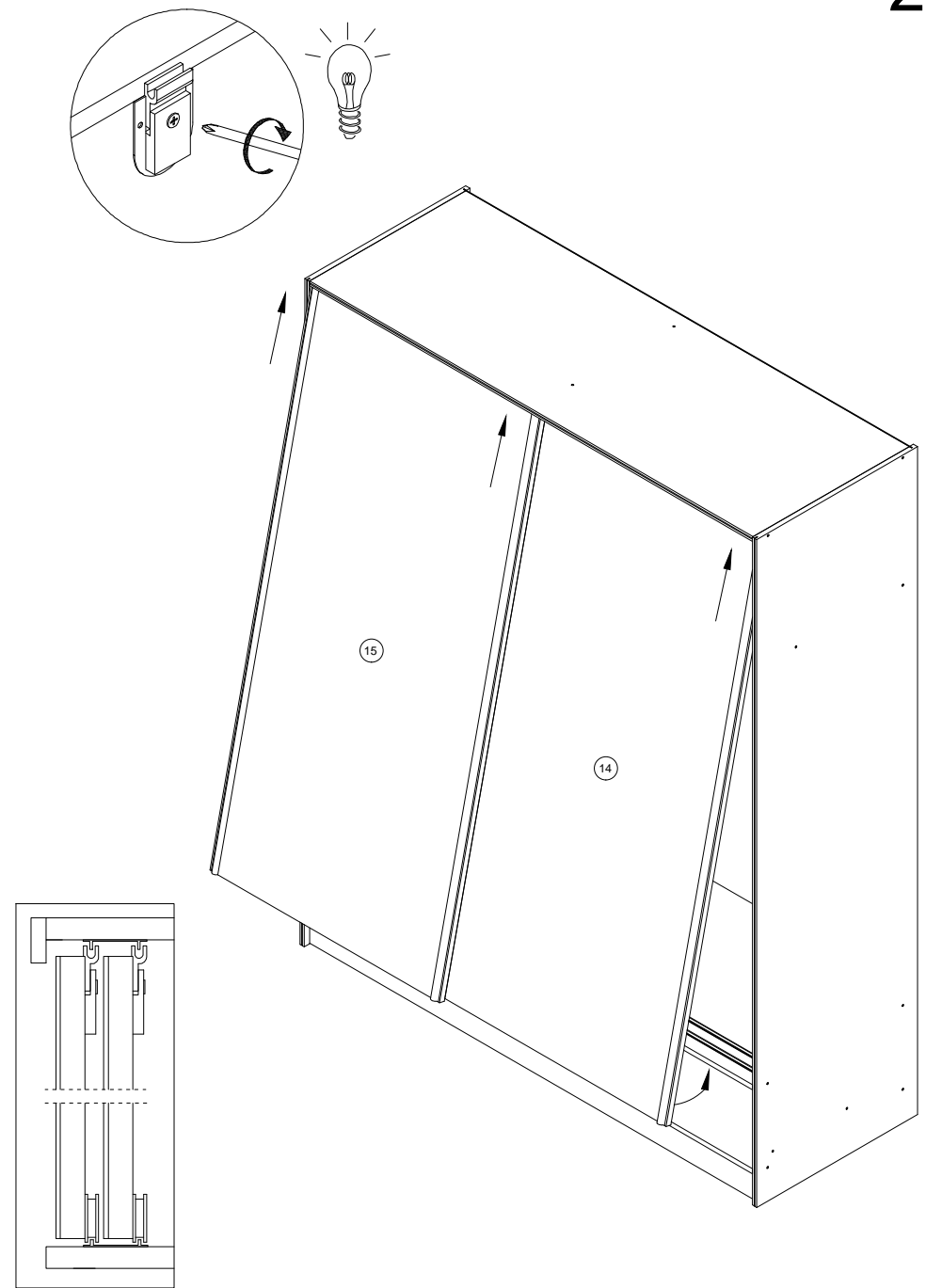


19

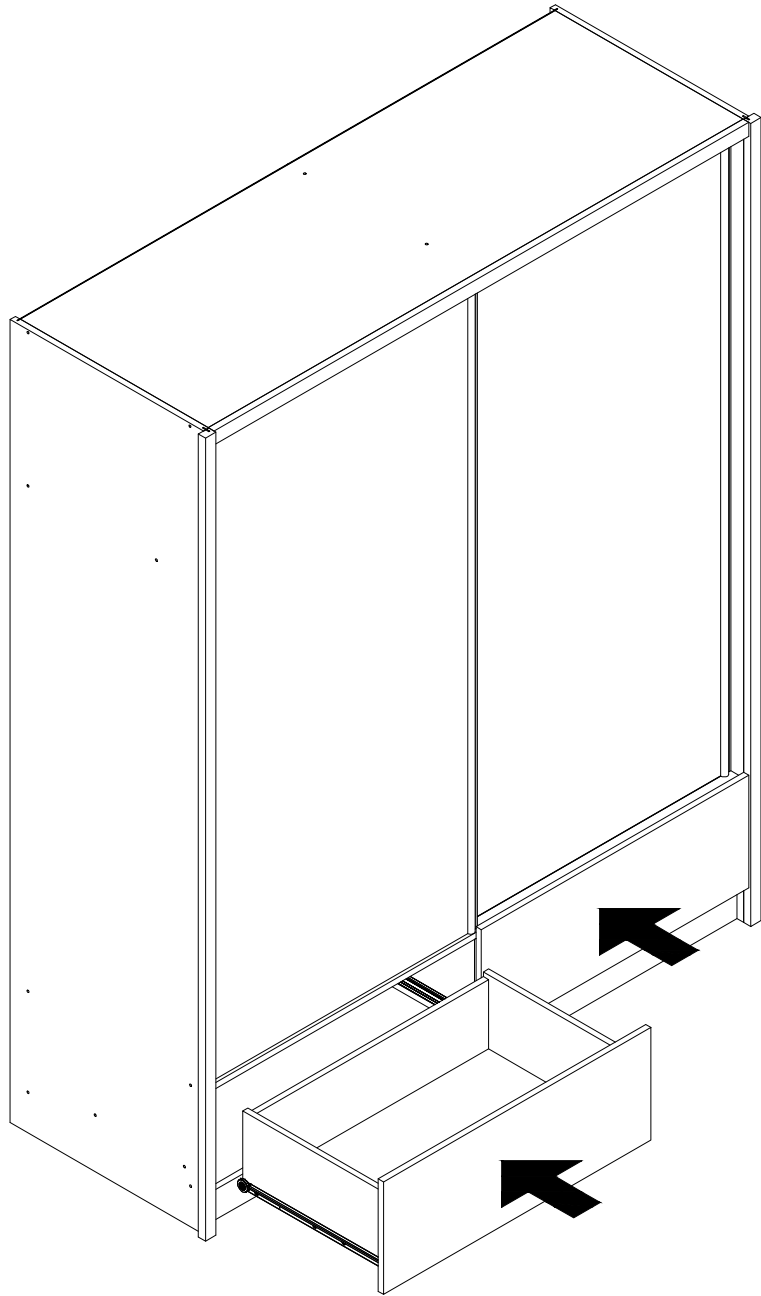
20



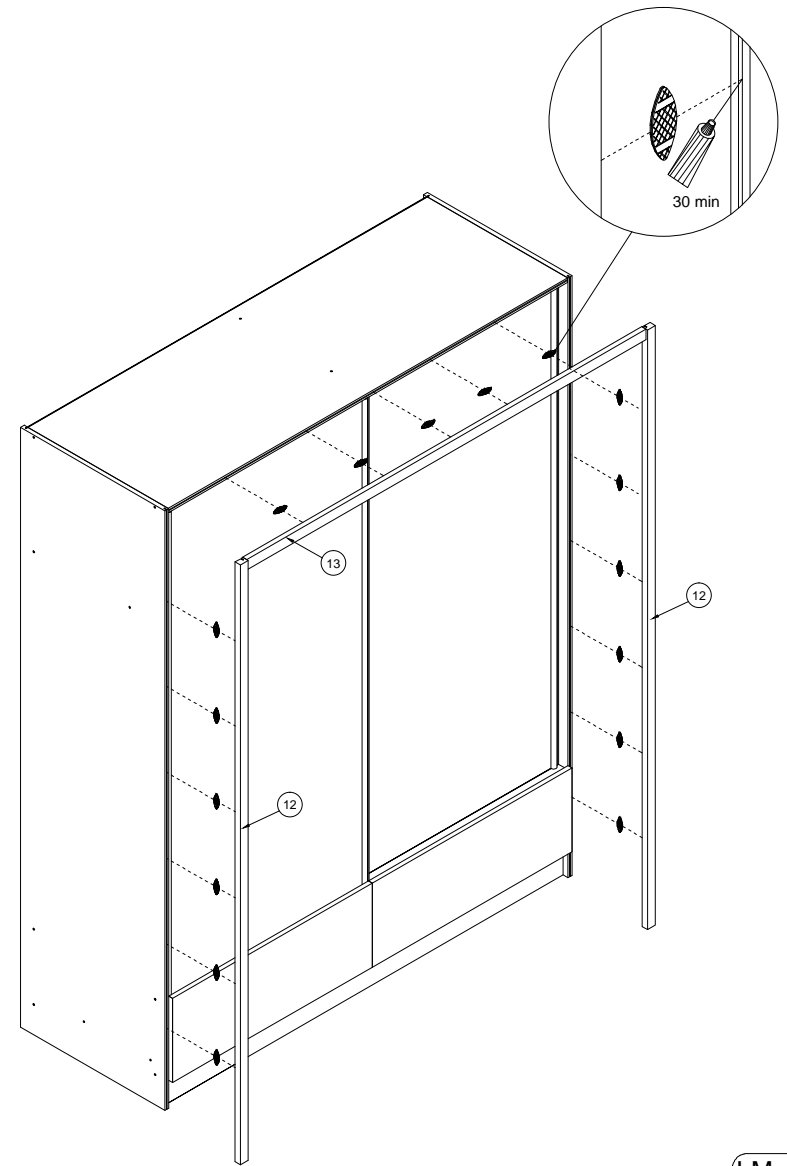
21



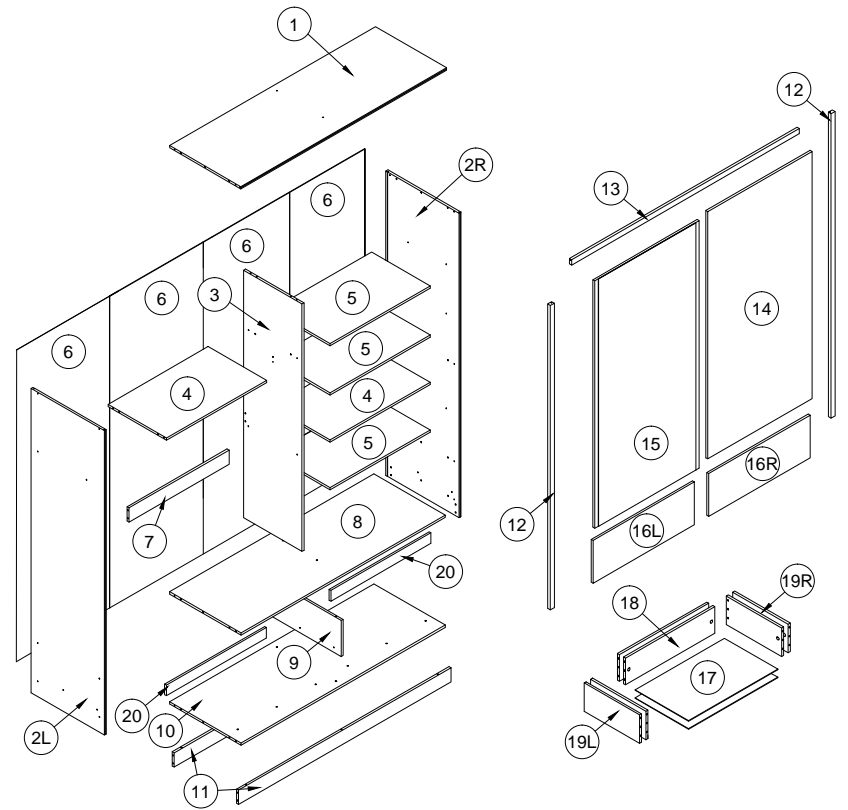
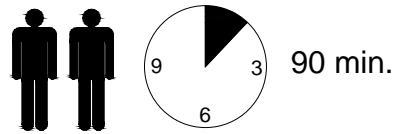
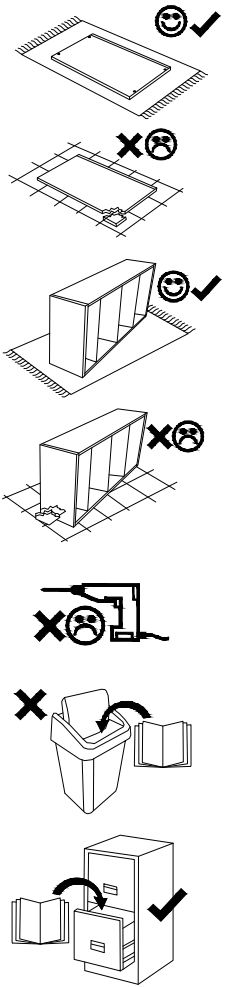
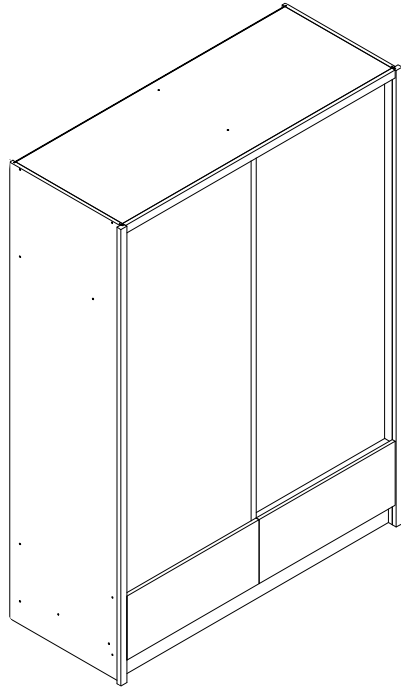
22



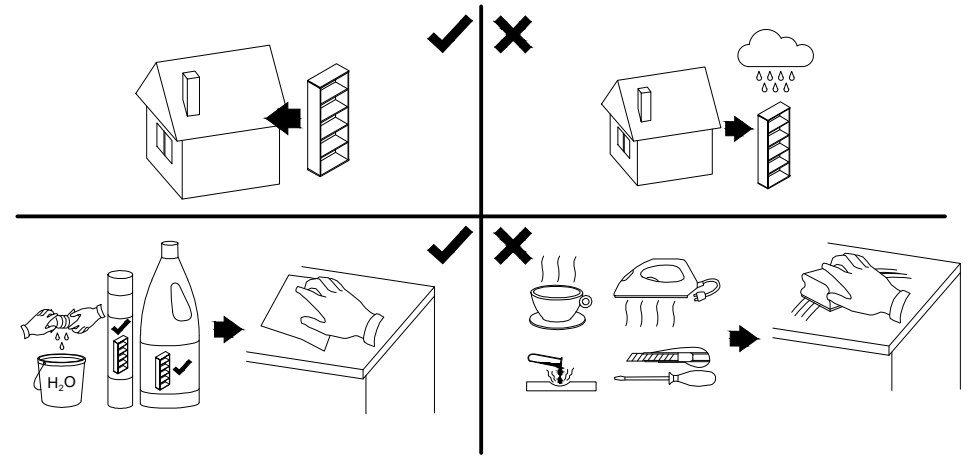
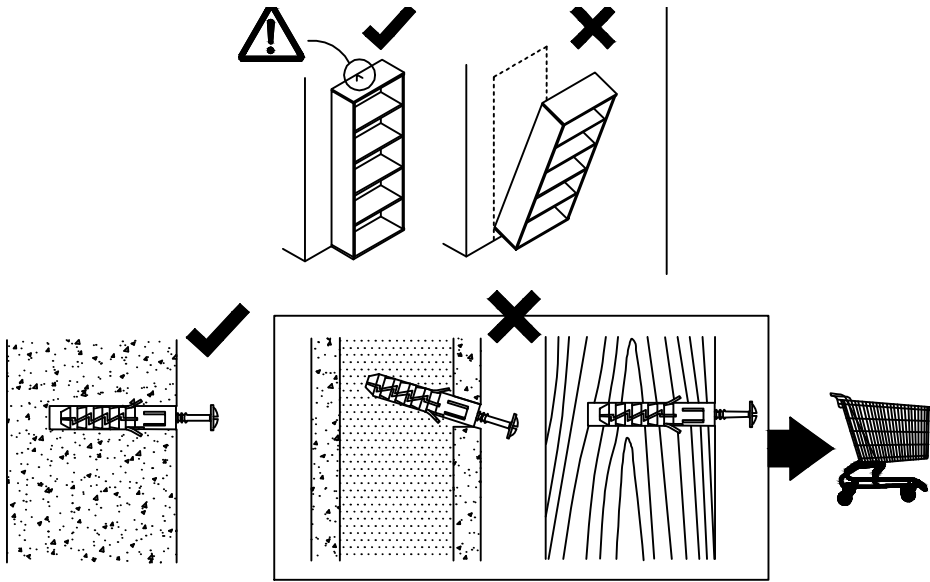
23

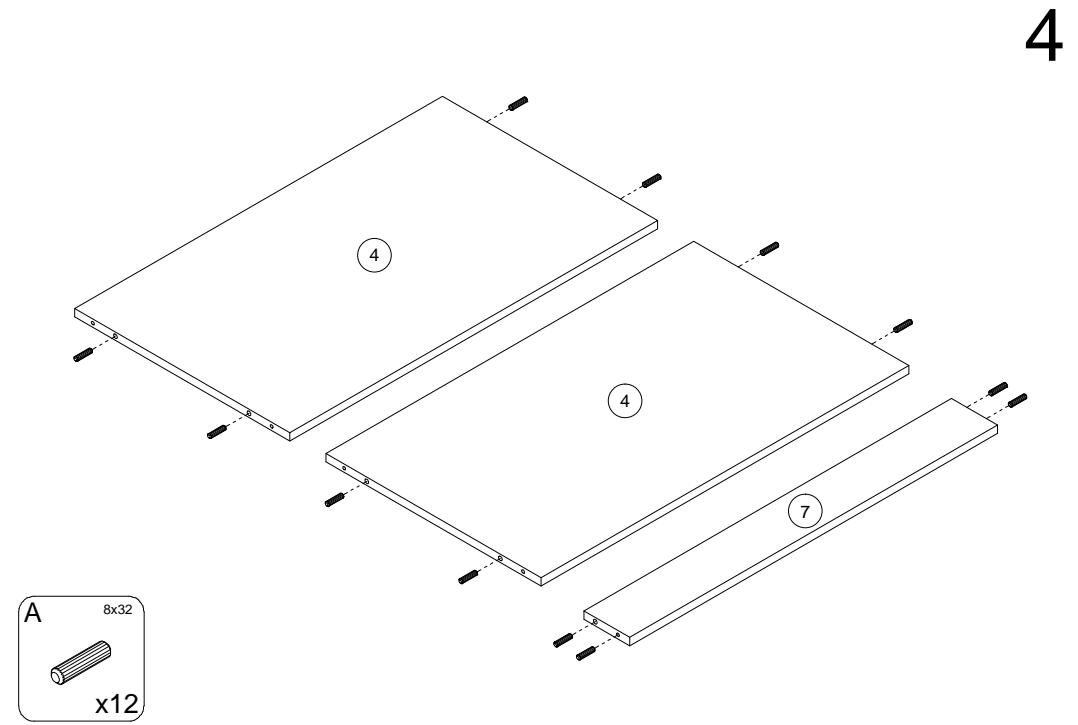
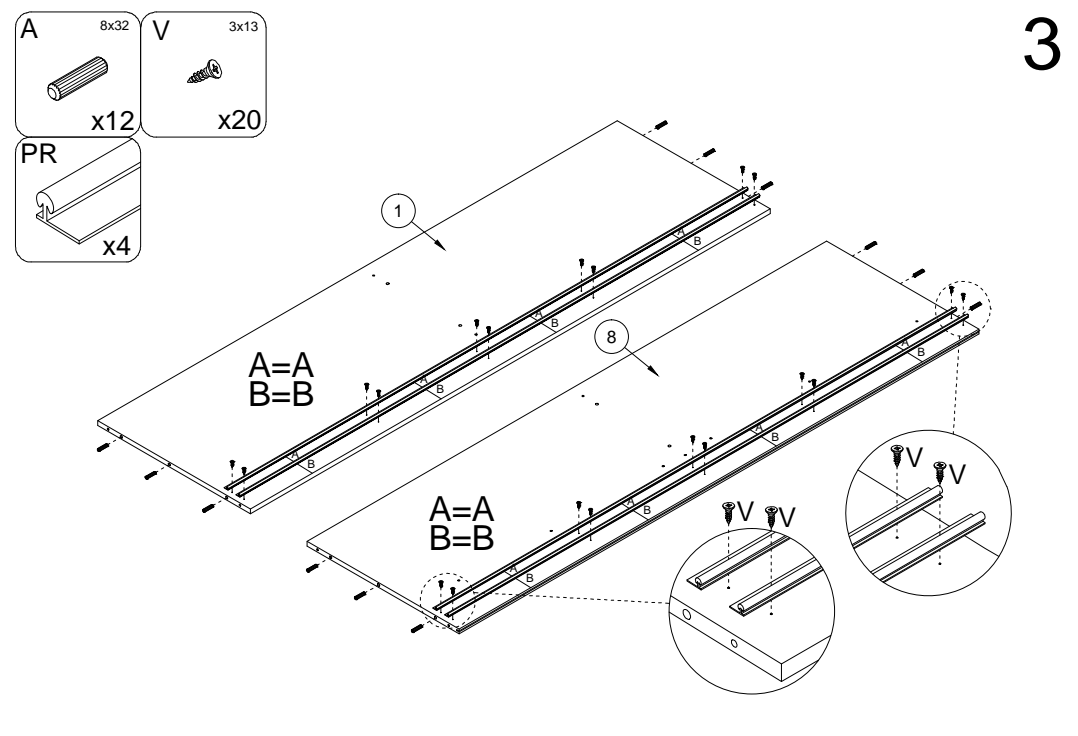
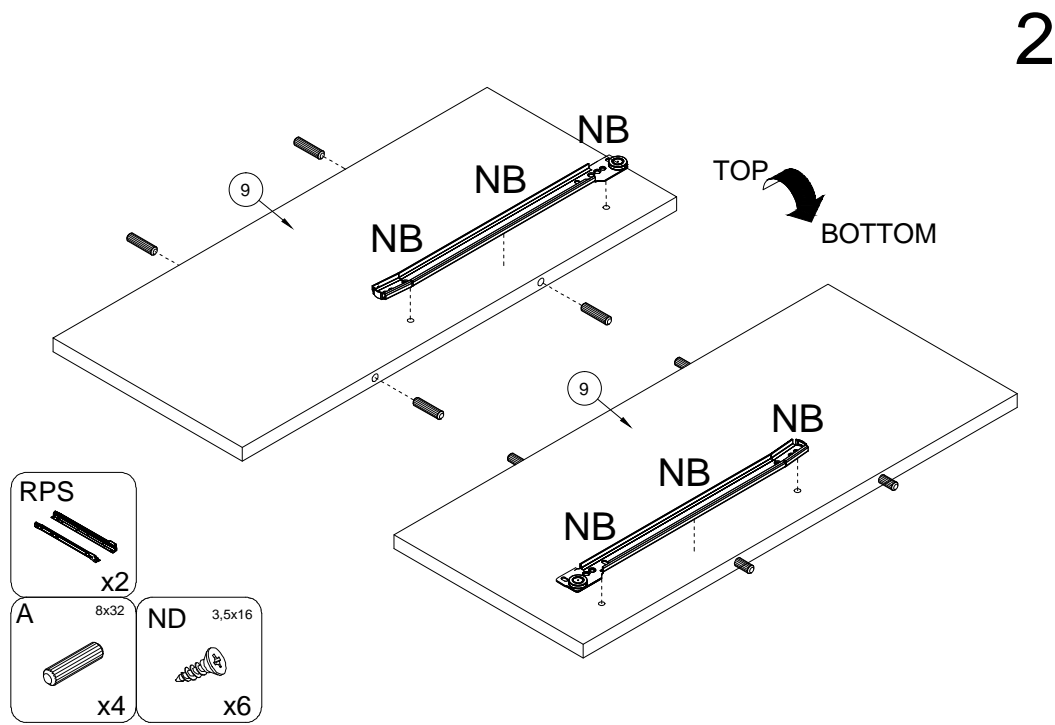
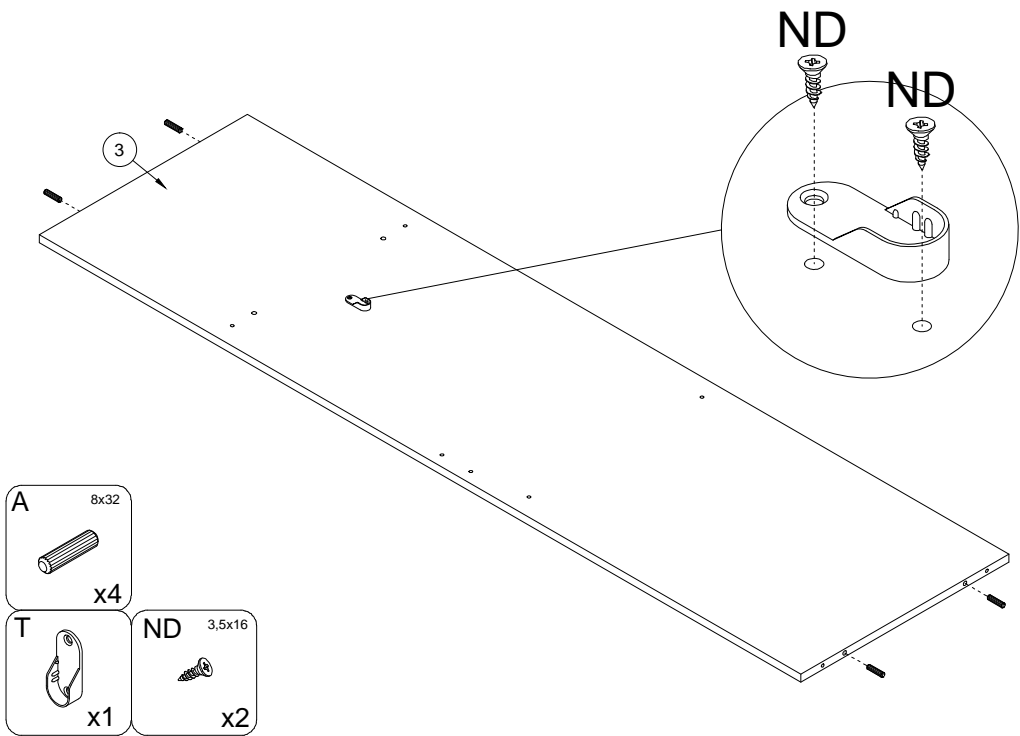


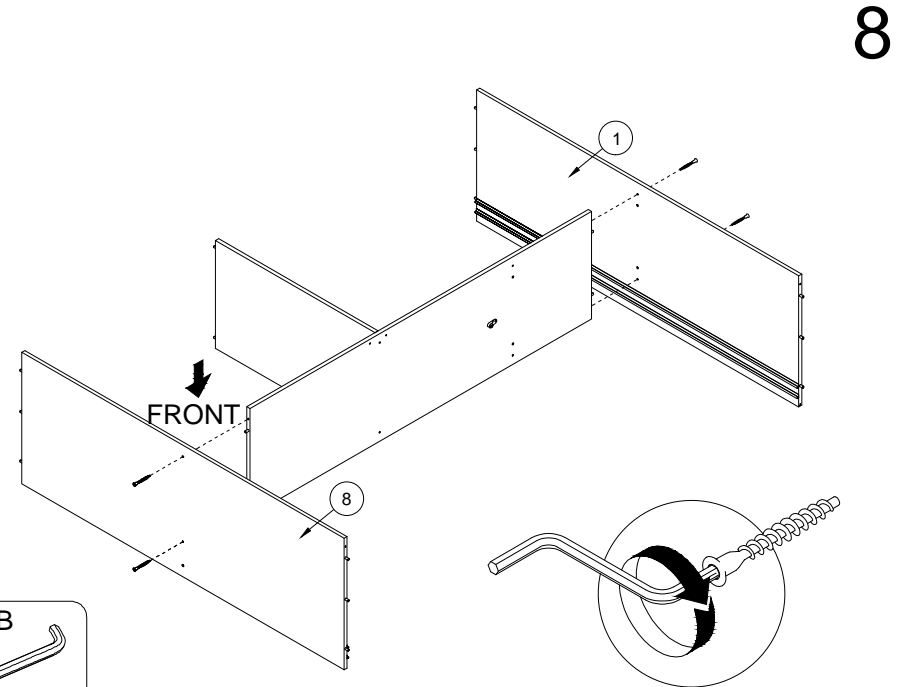
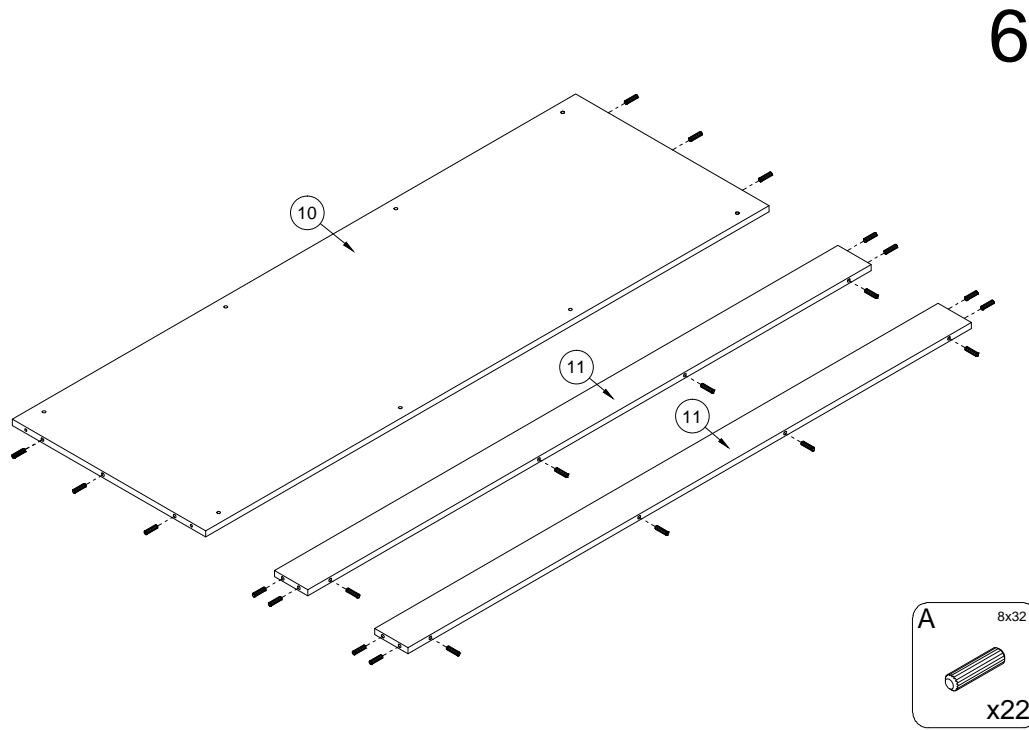
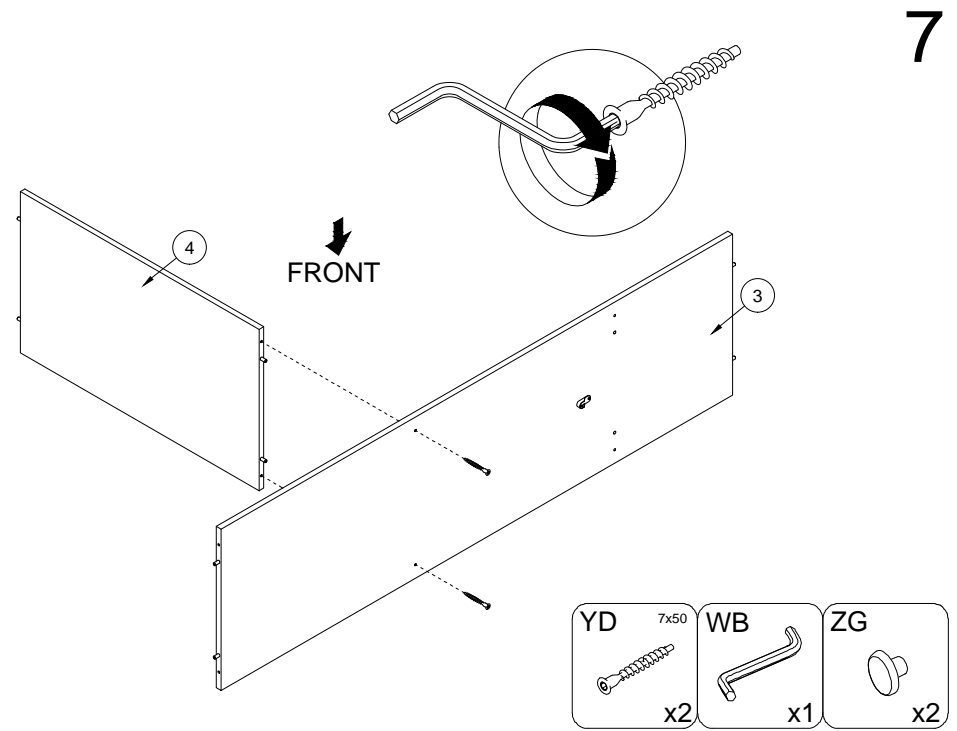
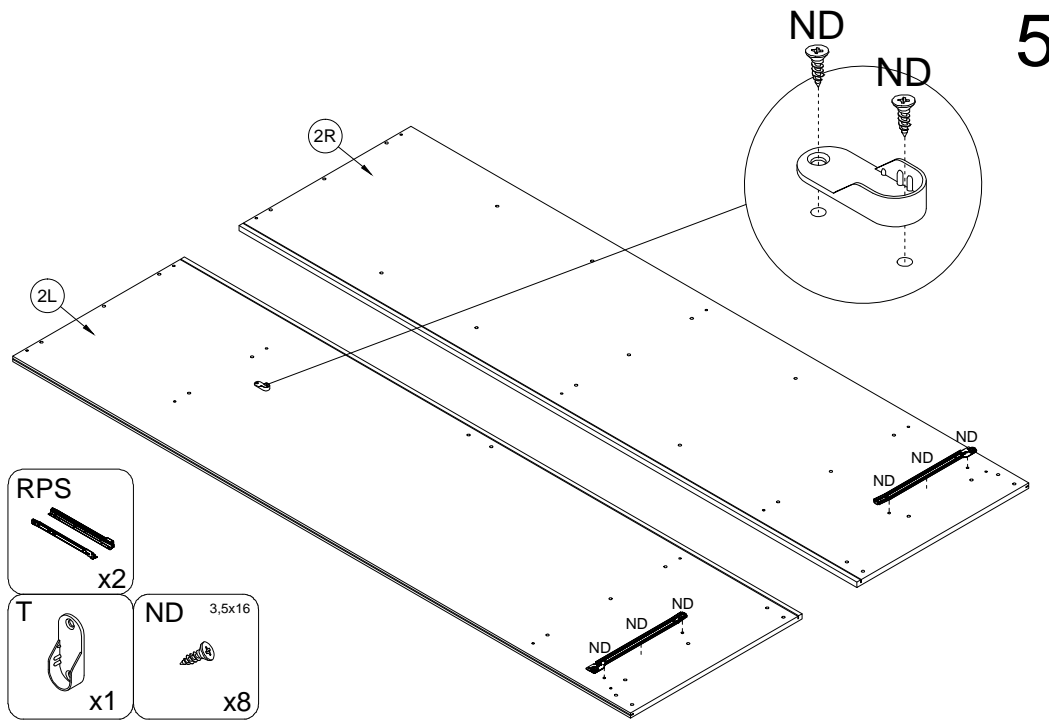
180

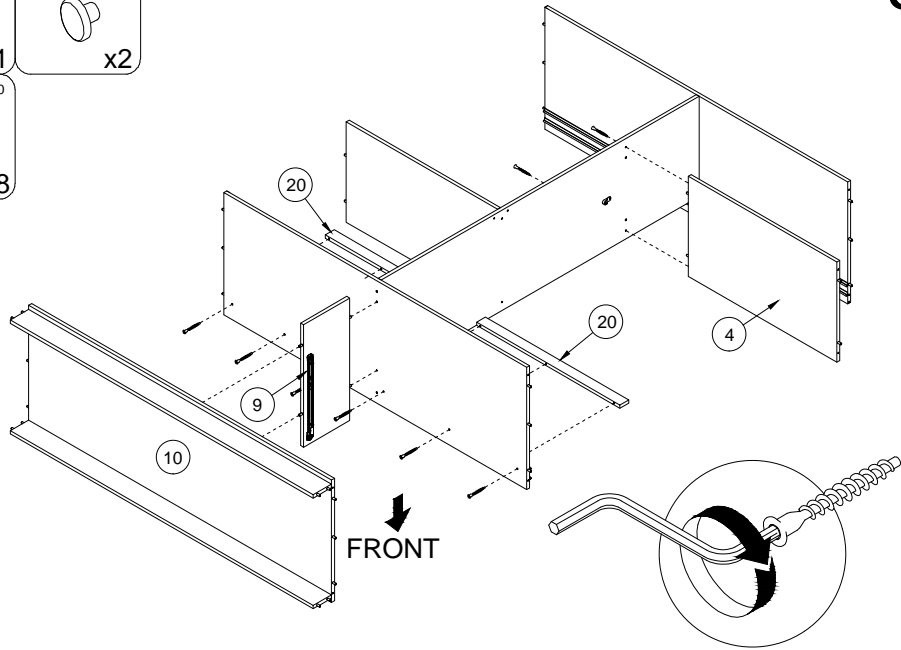
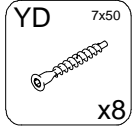
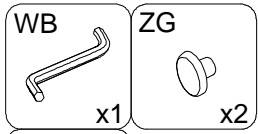


S	L-2008mm	N	3x20	W6	L-868mm	SP		B		ZC	LM	ZB	
x2		x79		x1		x10		x8		x15	x17	x12	
A	8x32	RPS	450	X		GLUE		SEV		C	Z	SZP	
x70		x2		x10		x2		1716	x3	x8	x4	450	x2
T		ND	3,5x16	V	3x13	PR		YD	7x50	WB	ZG	D	
x2		x49		x20		x4		x30		x1	x20	x4	

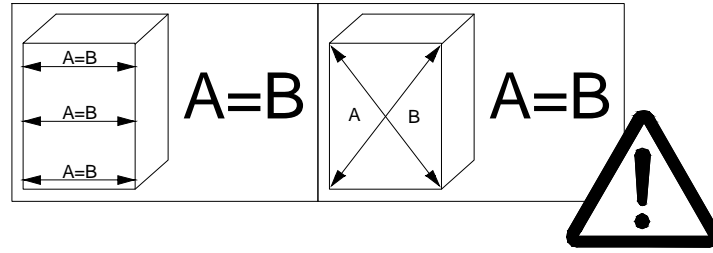




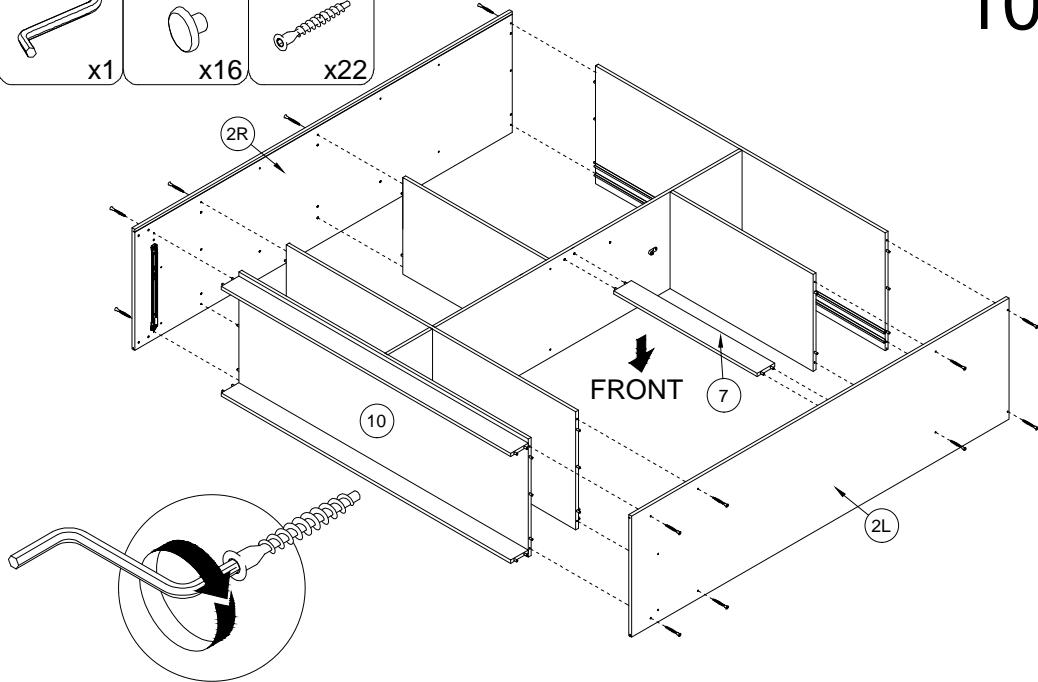
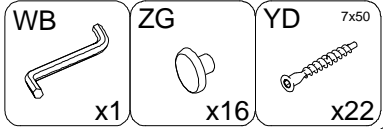




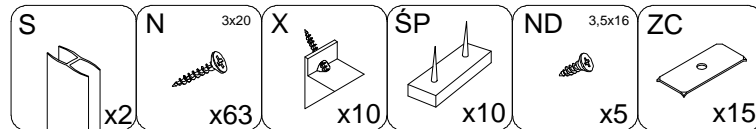
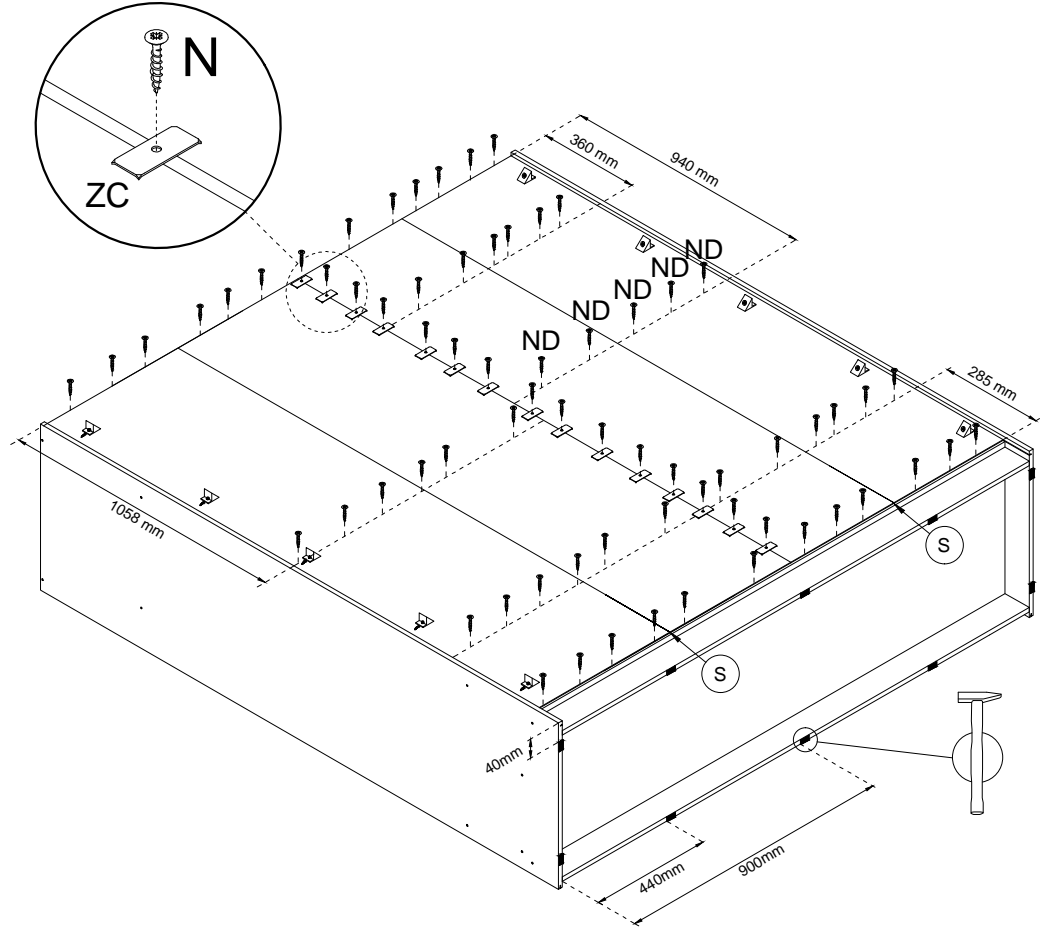
9



11

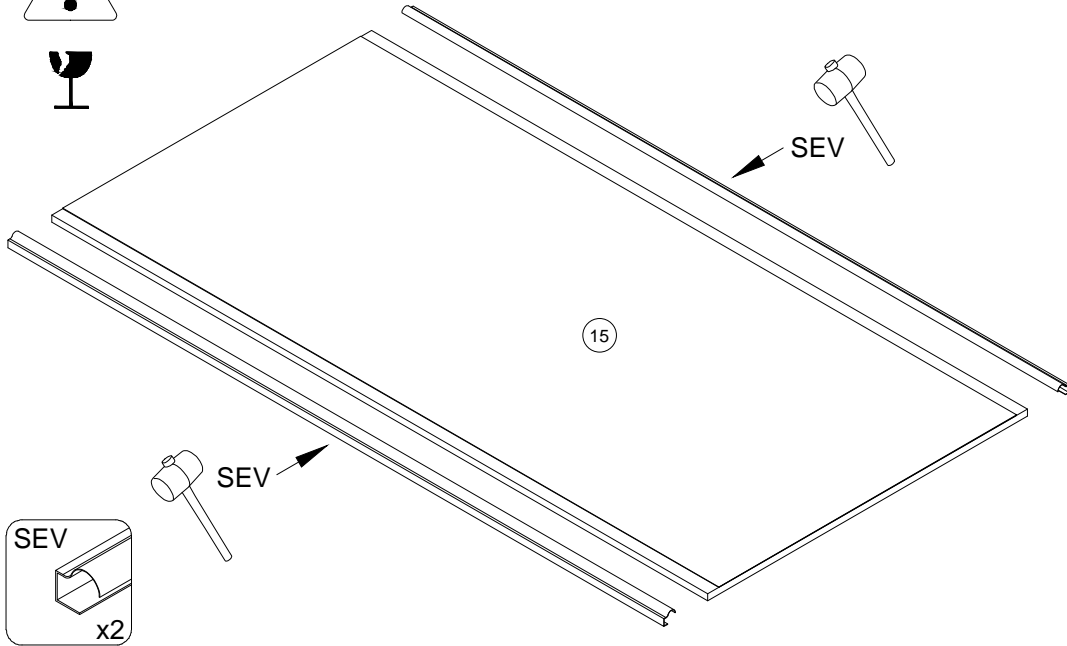


10

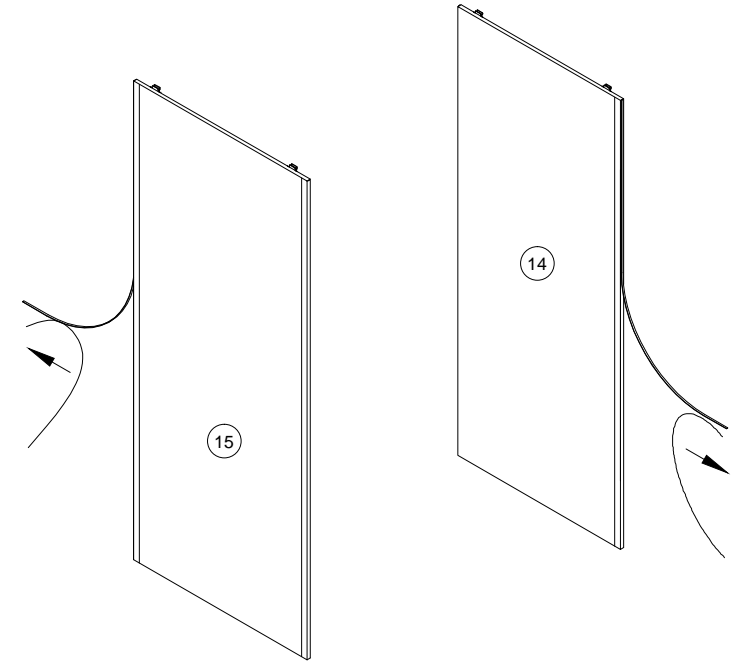




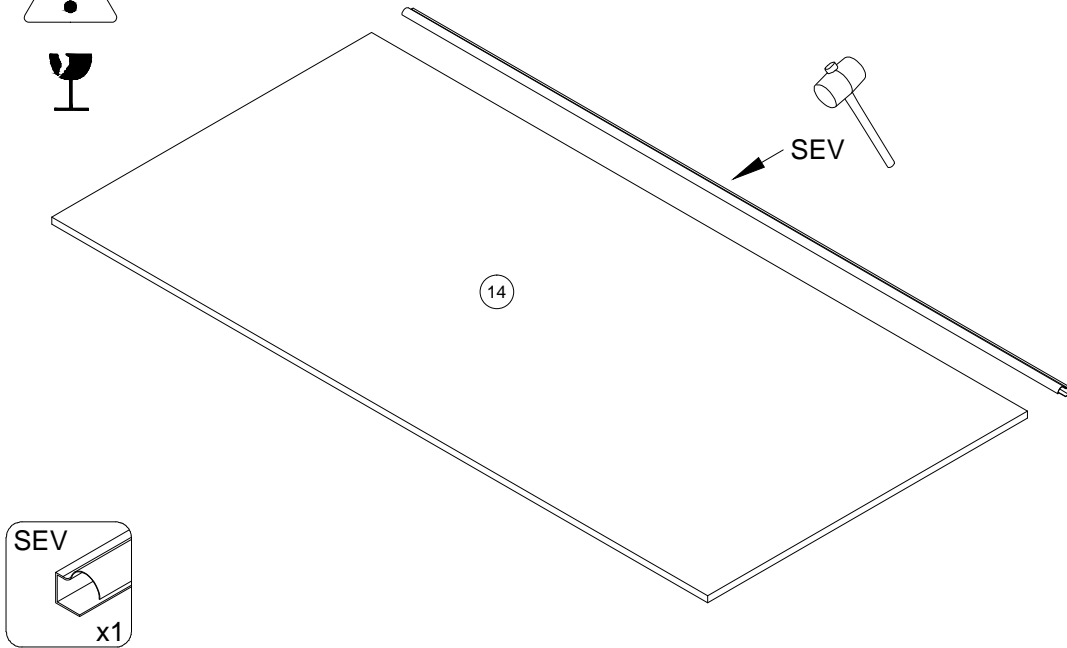
12



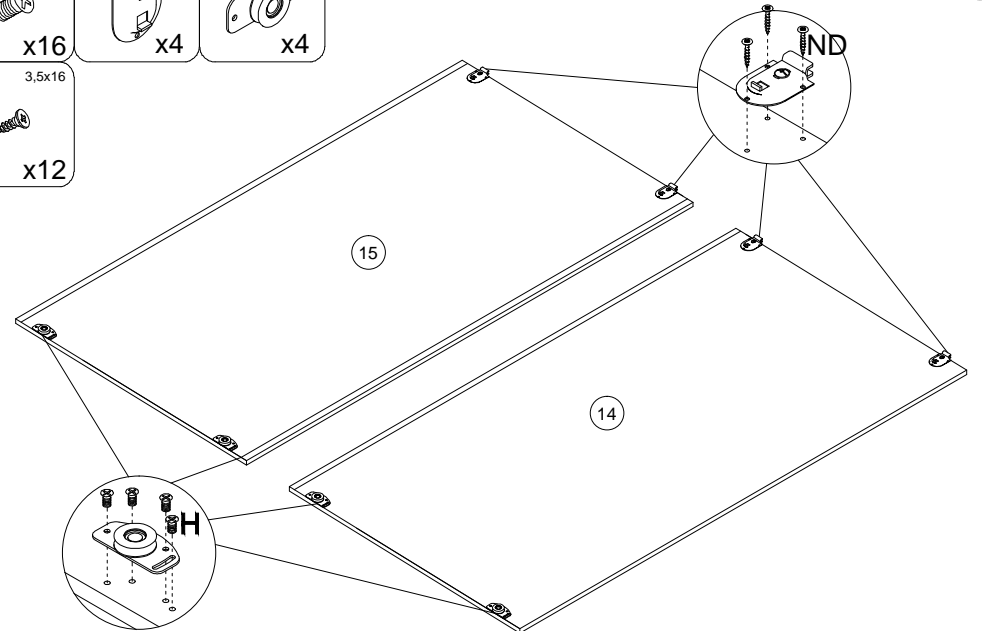
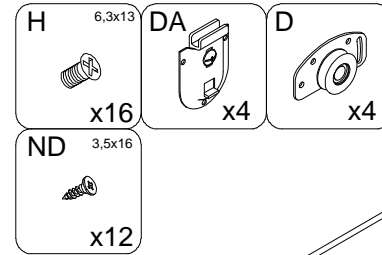
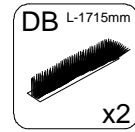
14



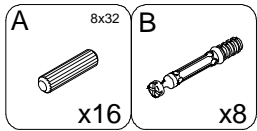
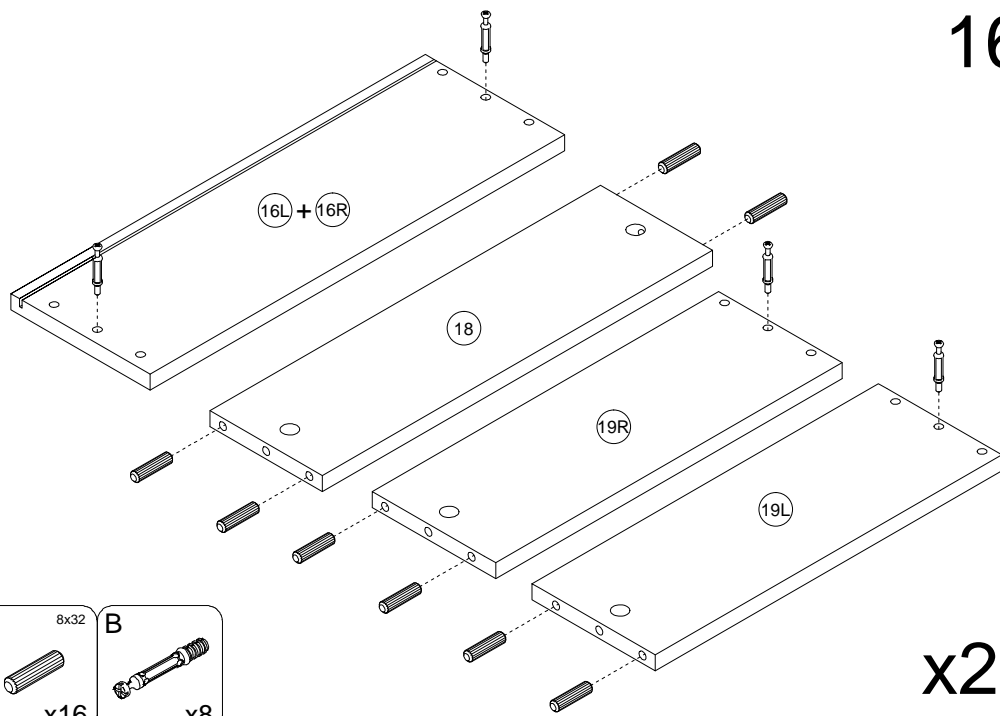
13



15

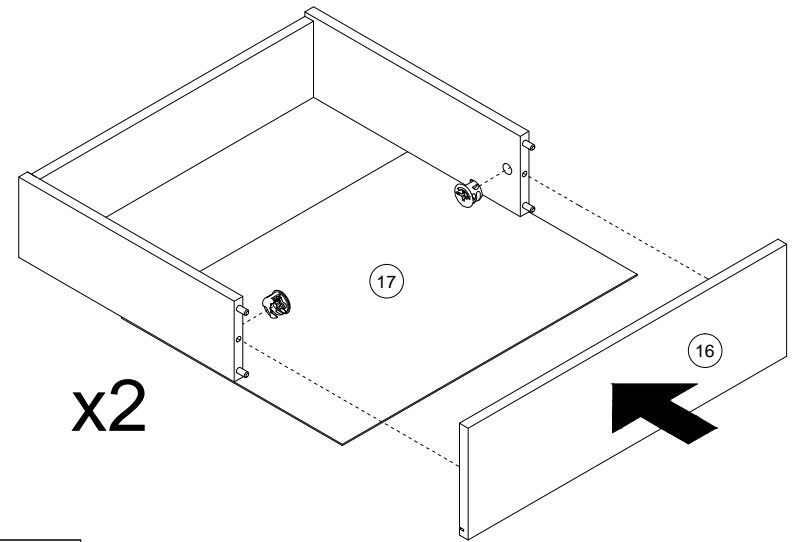


16

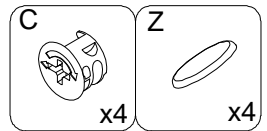
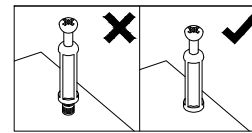


x2

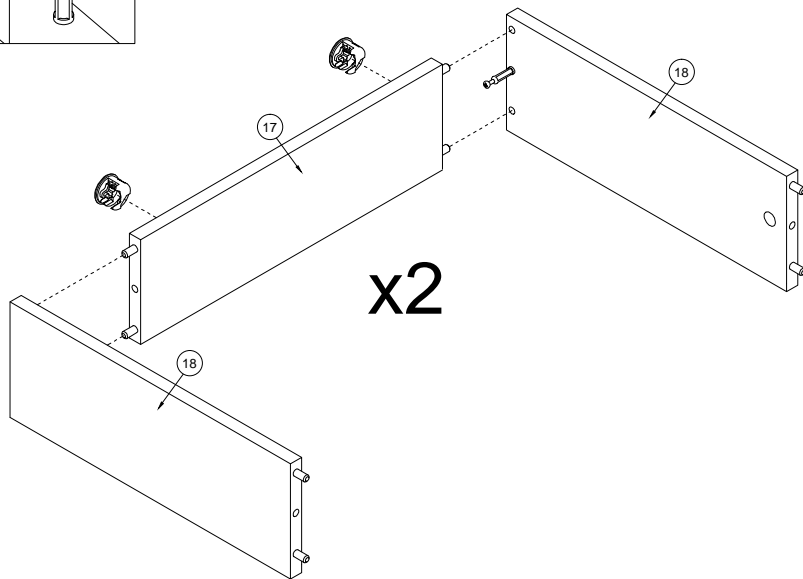
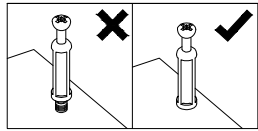
18



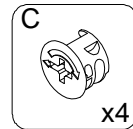
x2



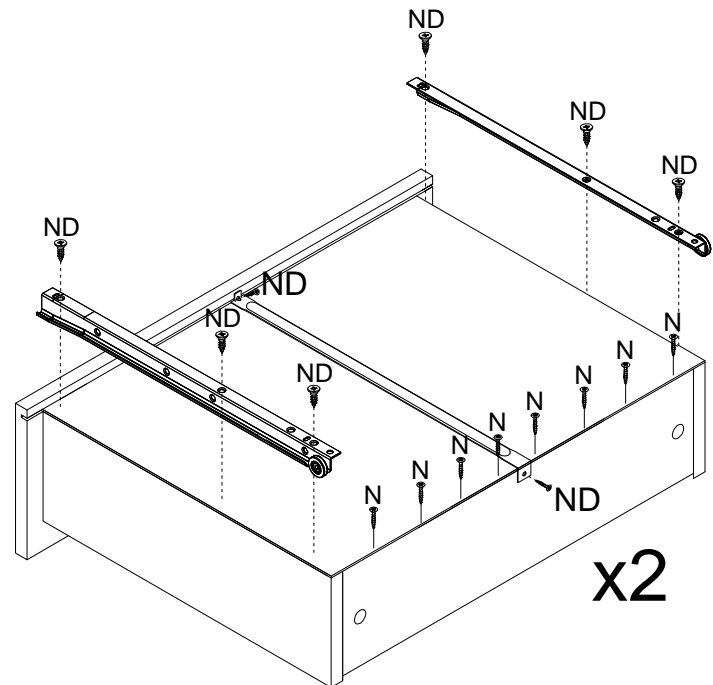
17



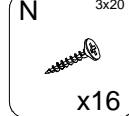
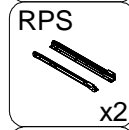
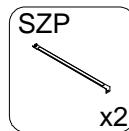
x2

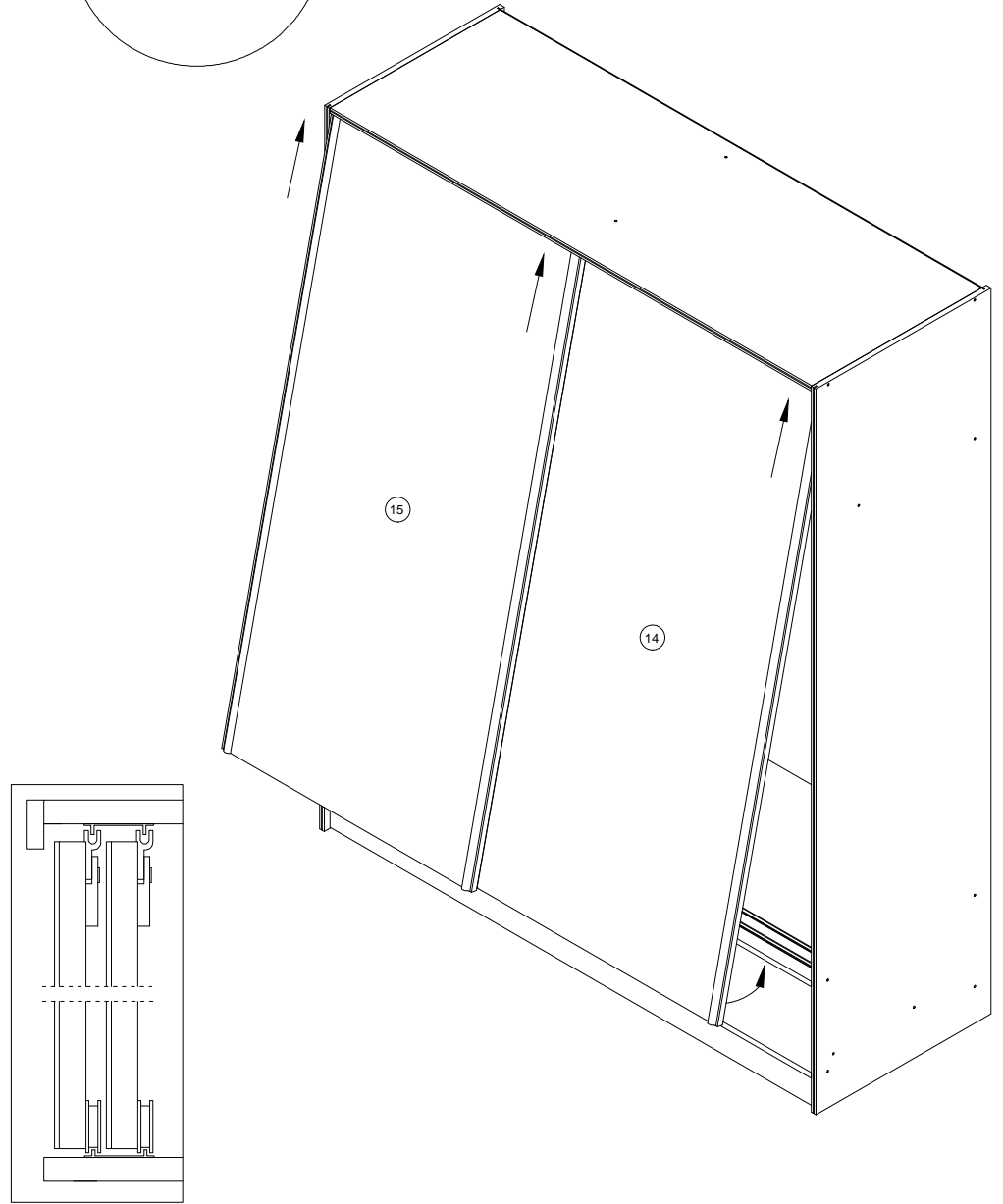
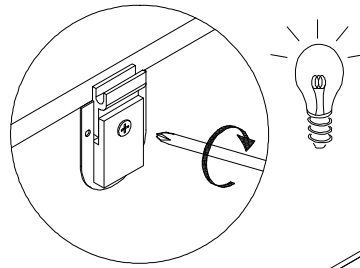
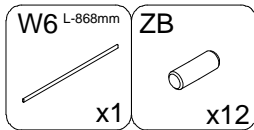
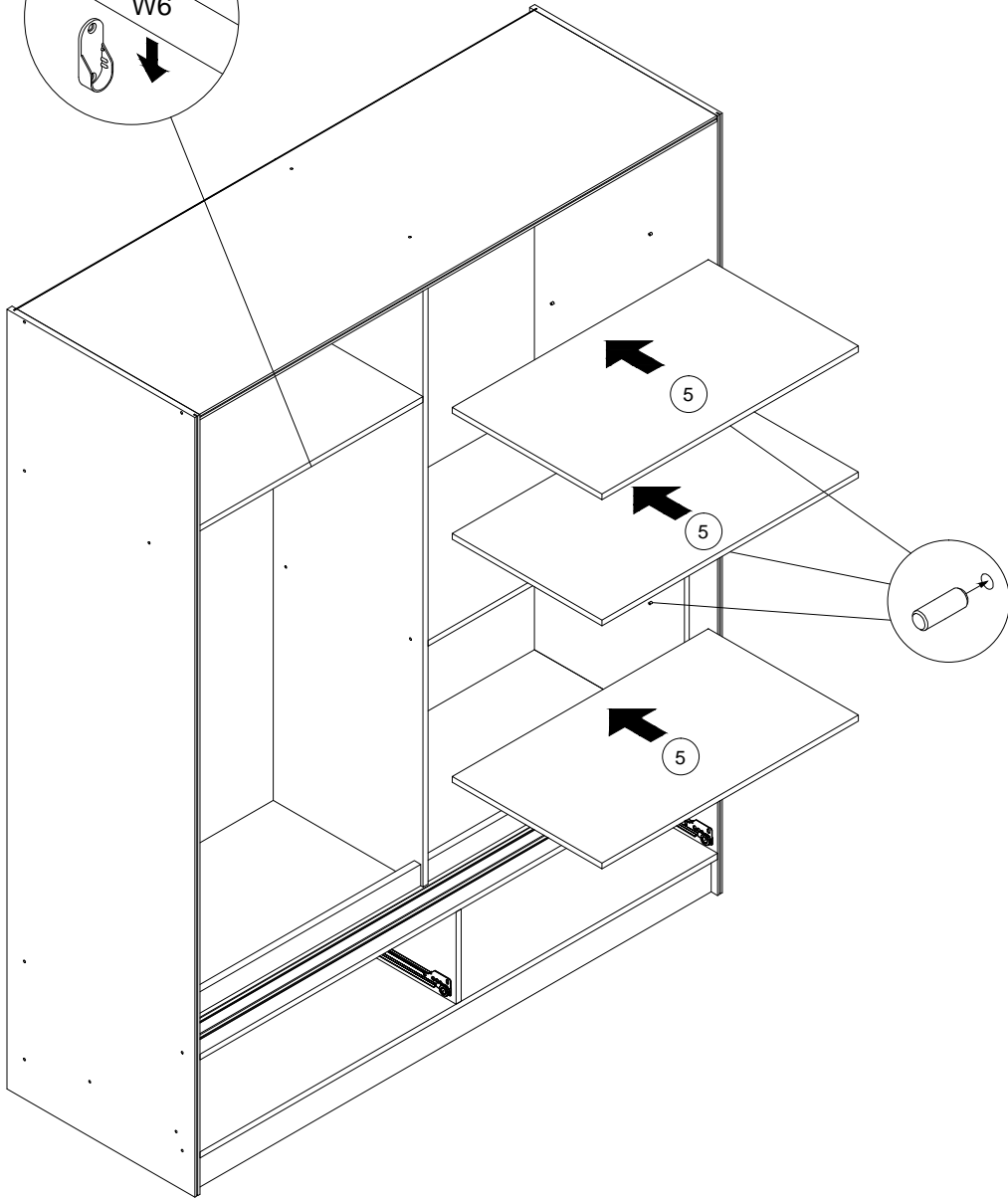
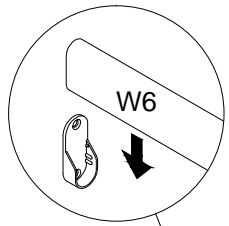


19

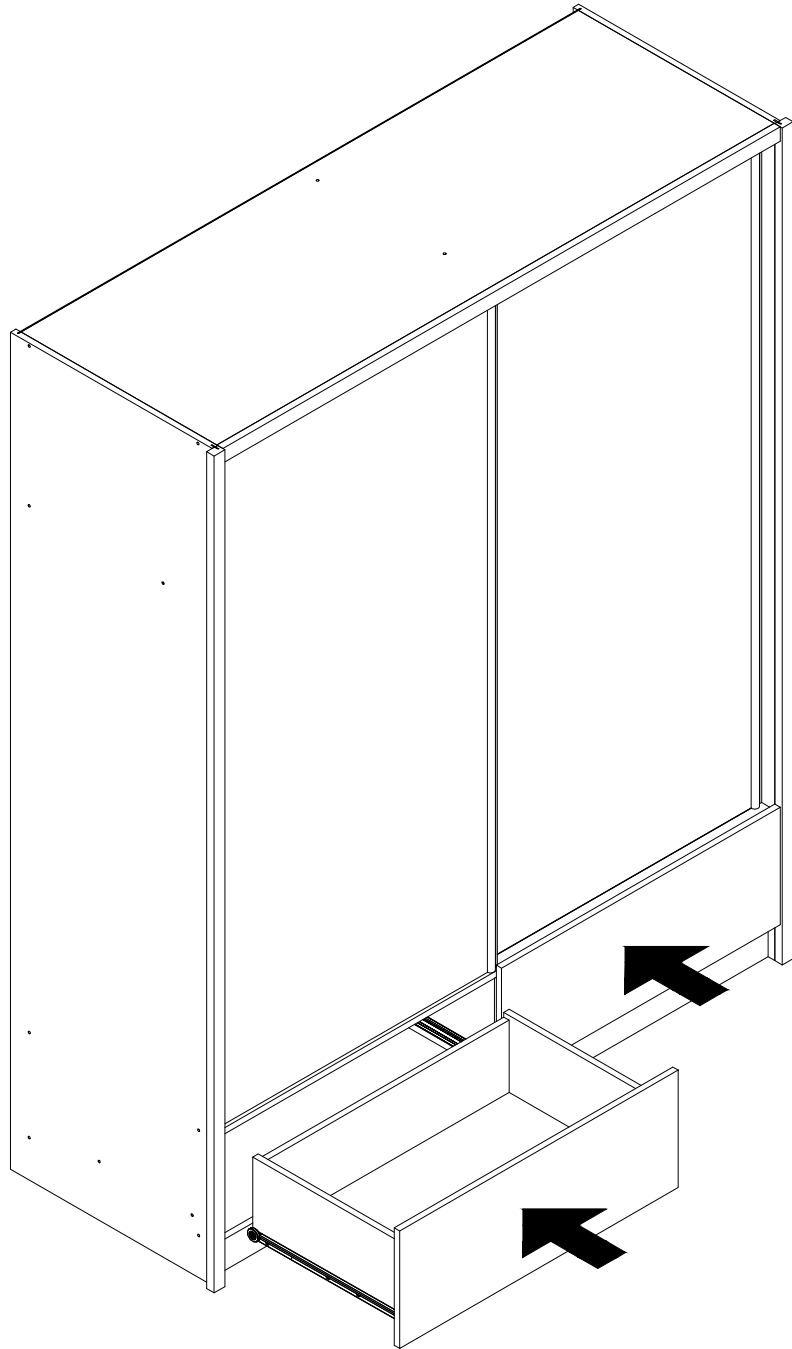


x2

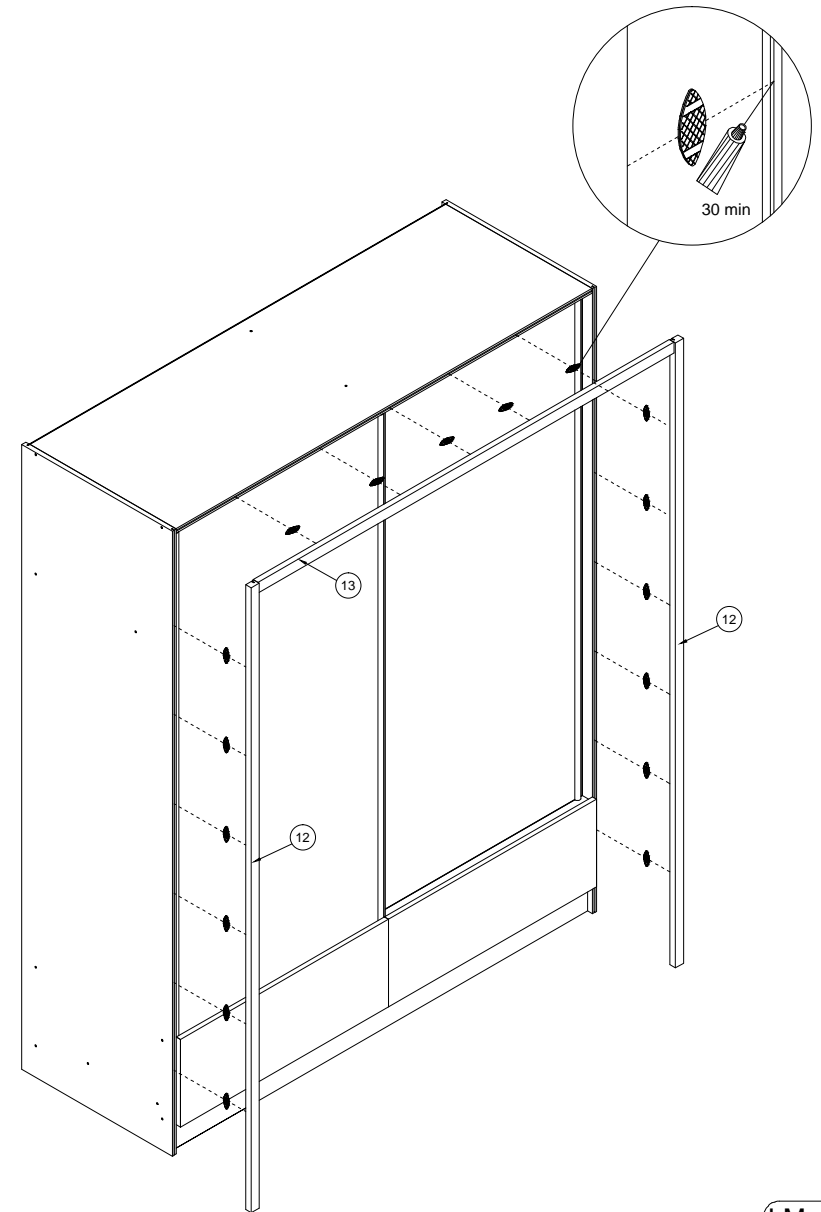


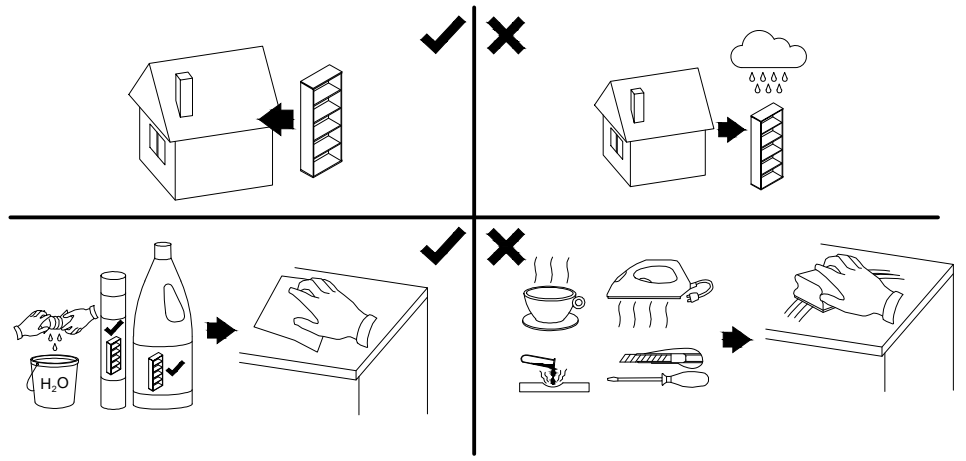
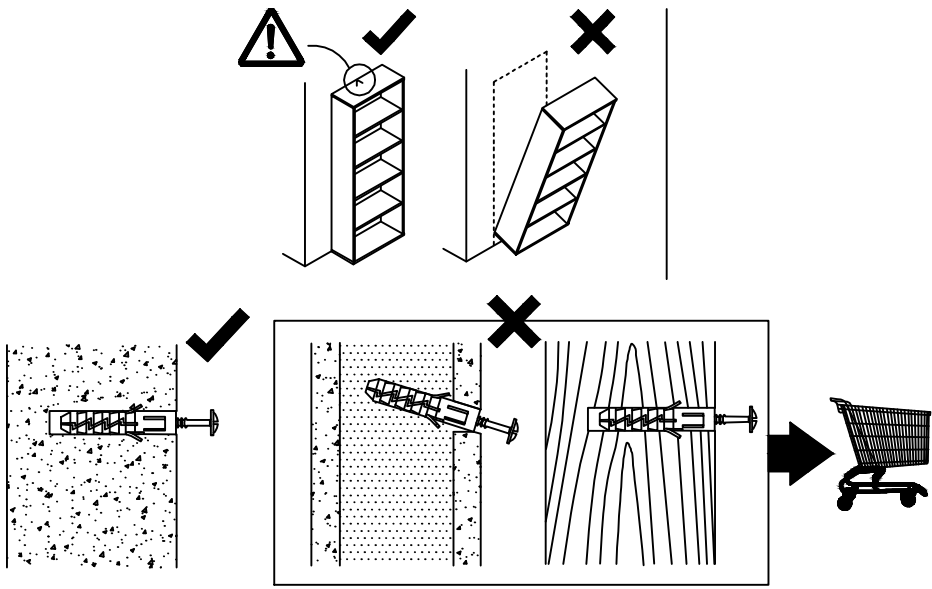


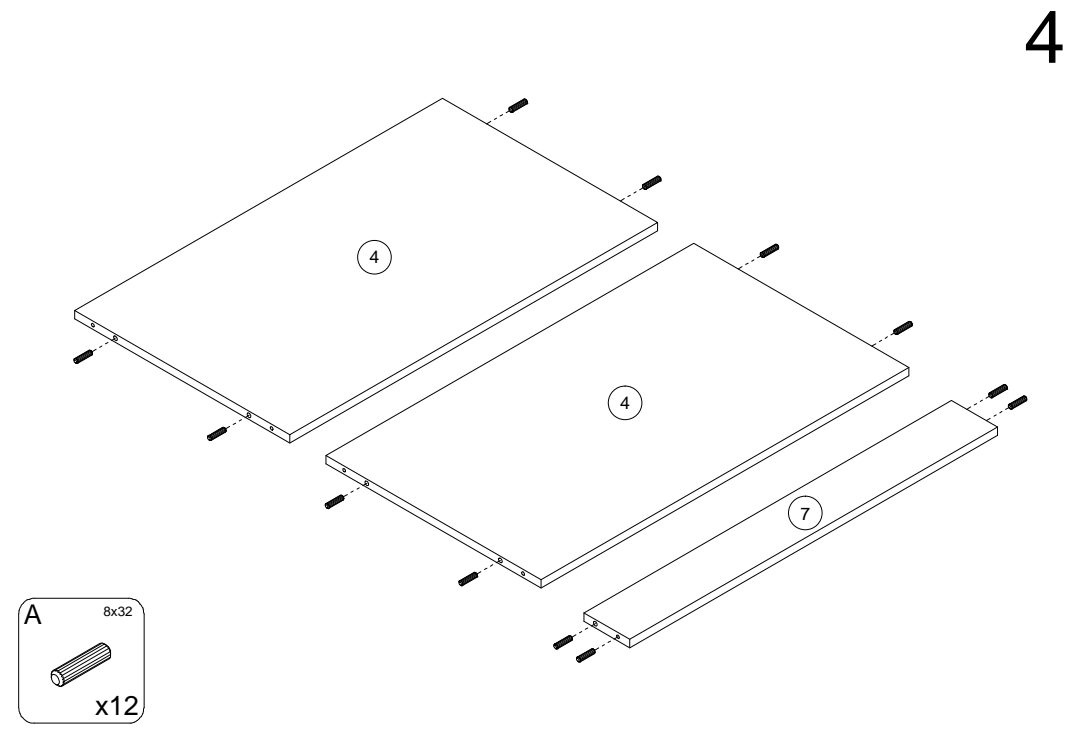
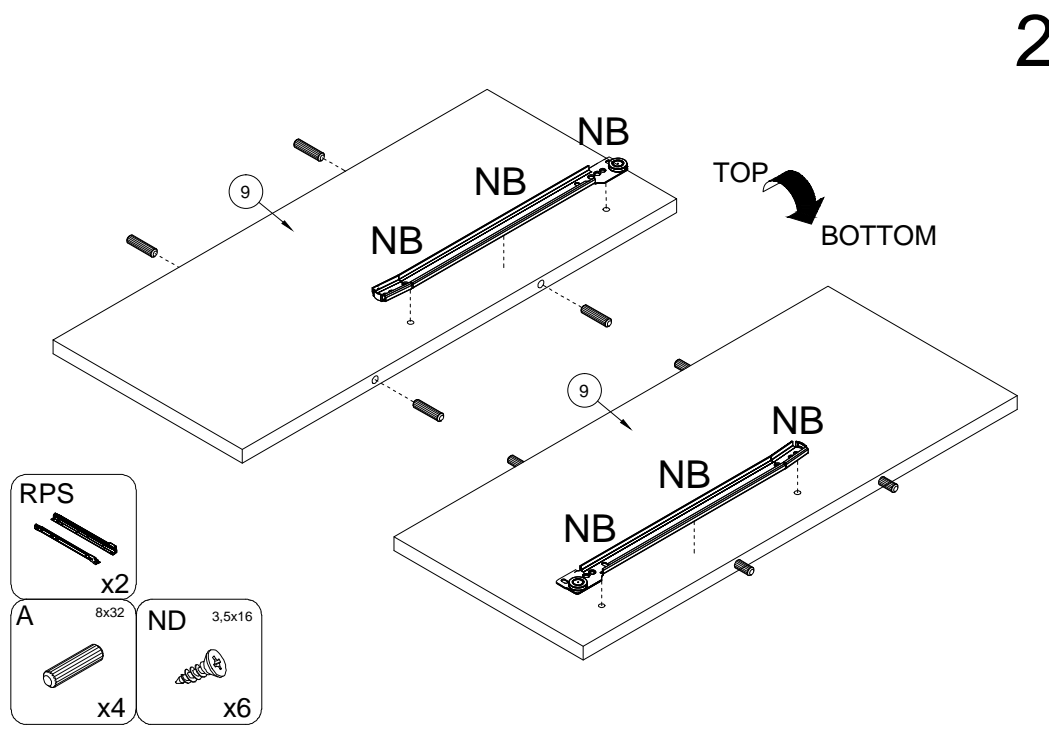
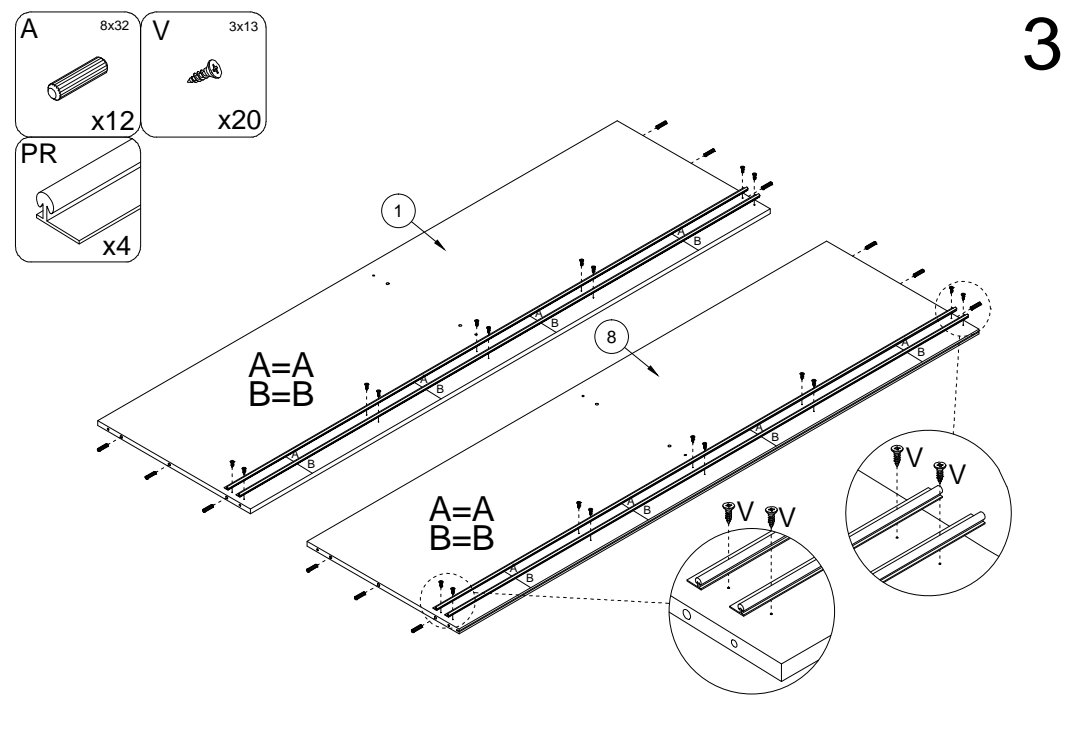
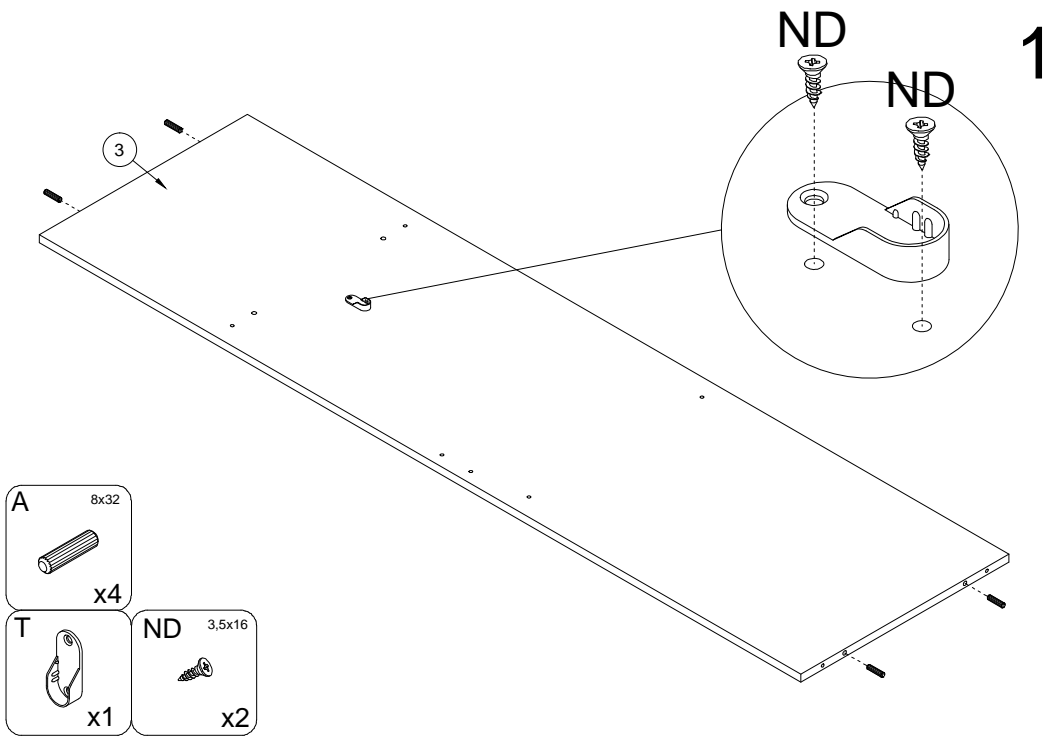
22

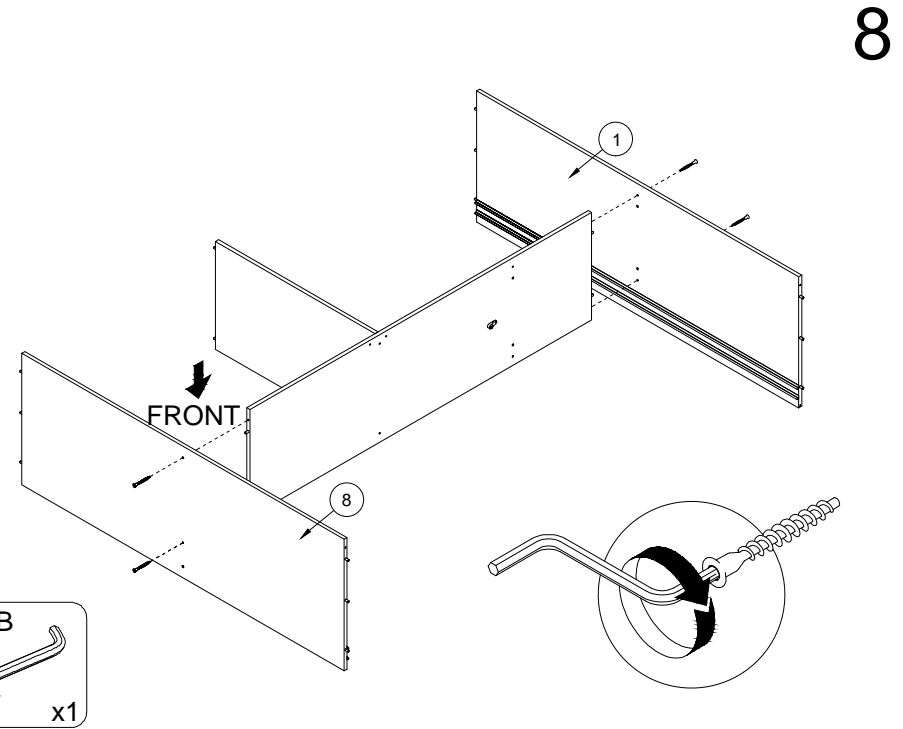
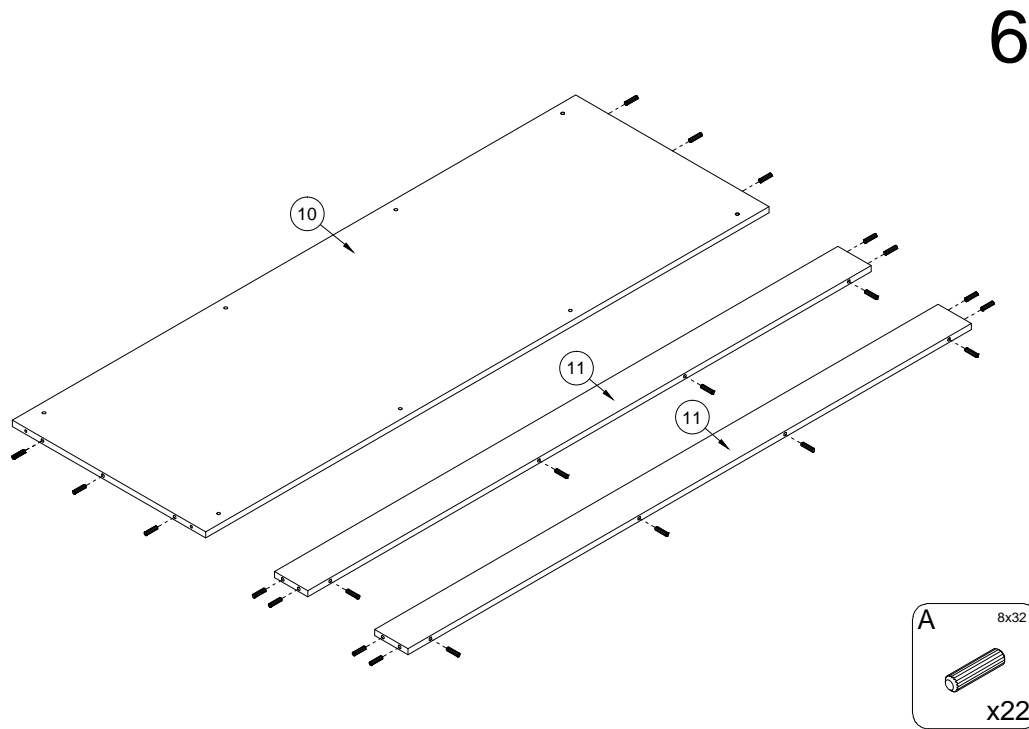
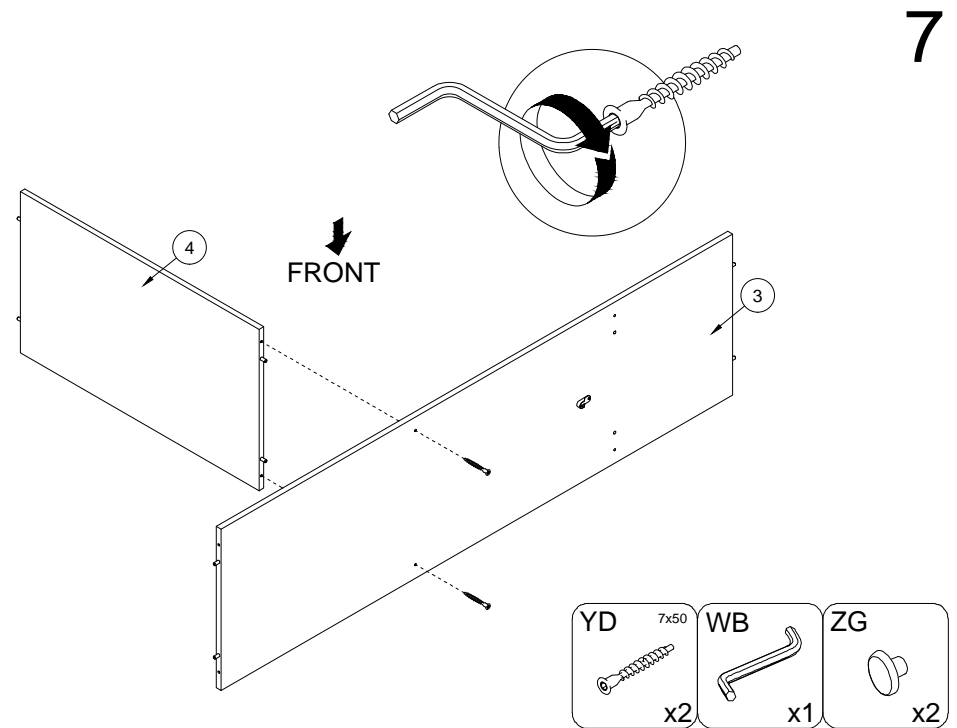
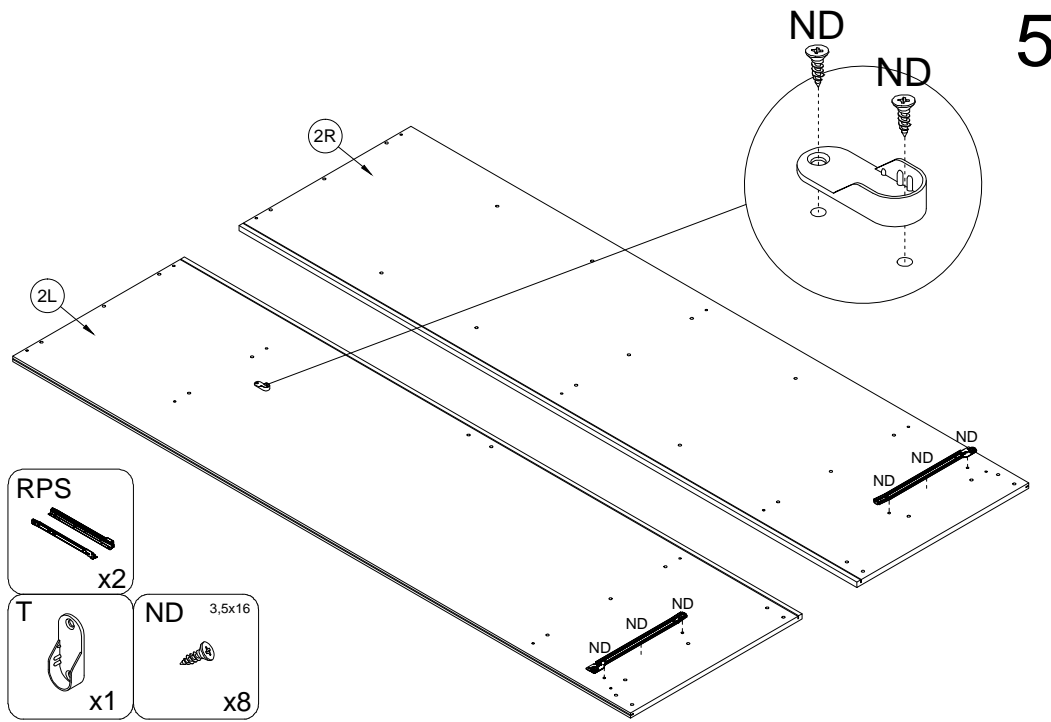


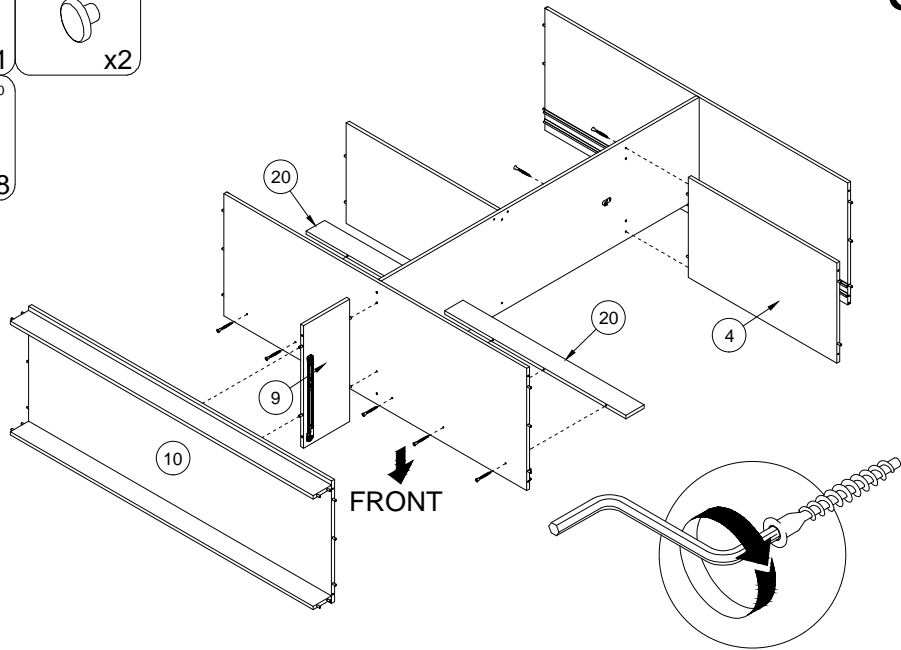
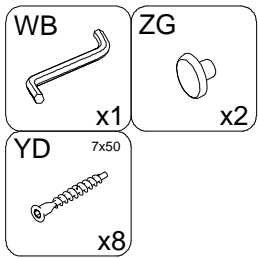
23



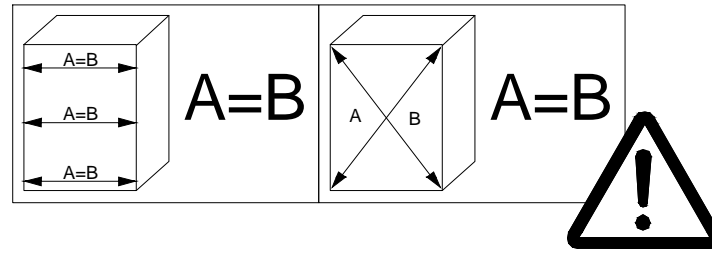




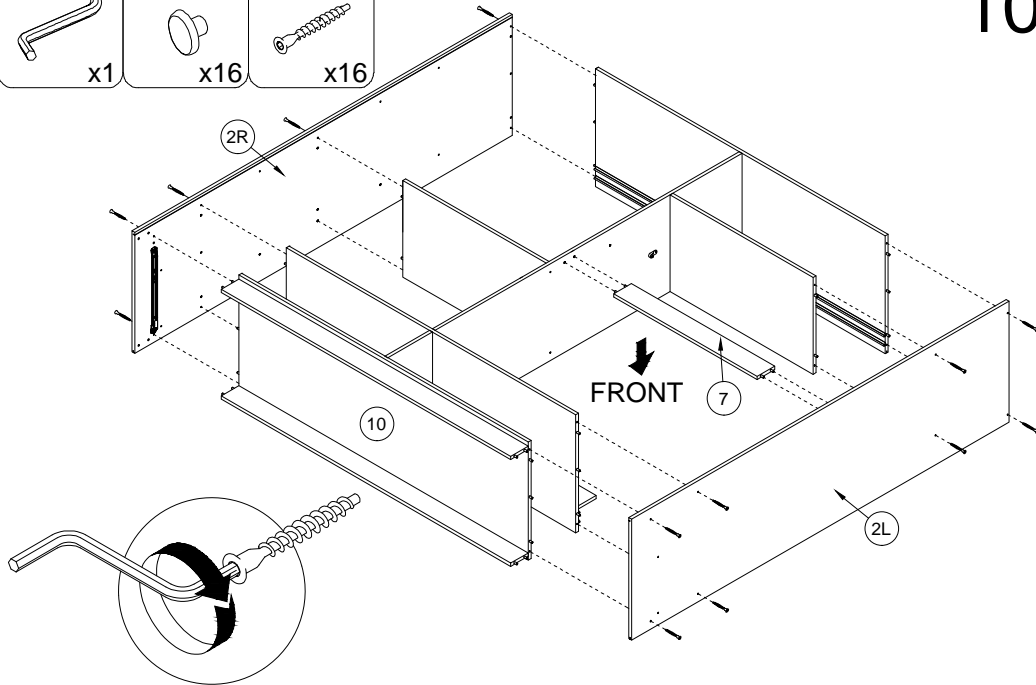
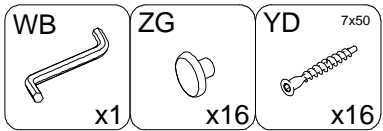




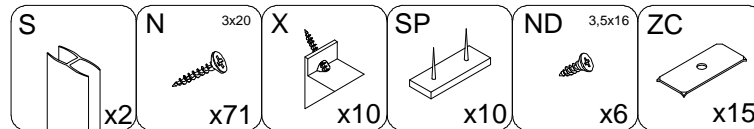
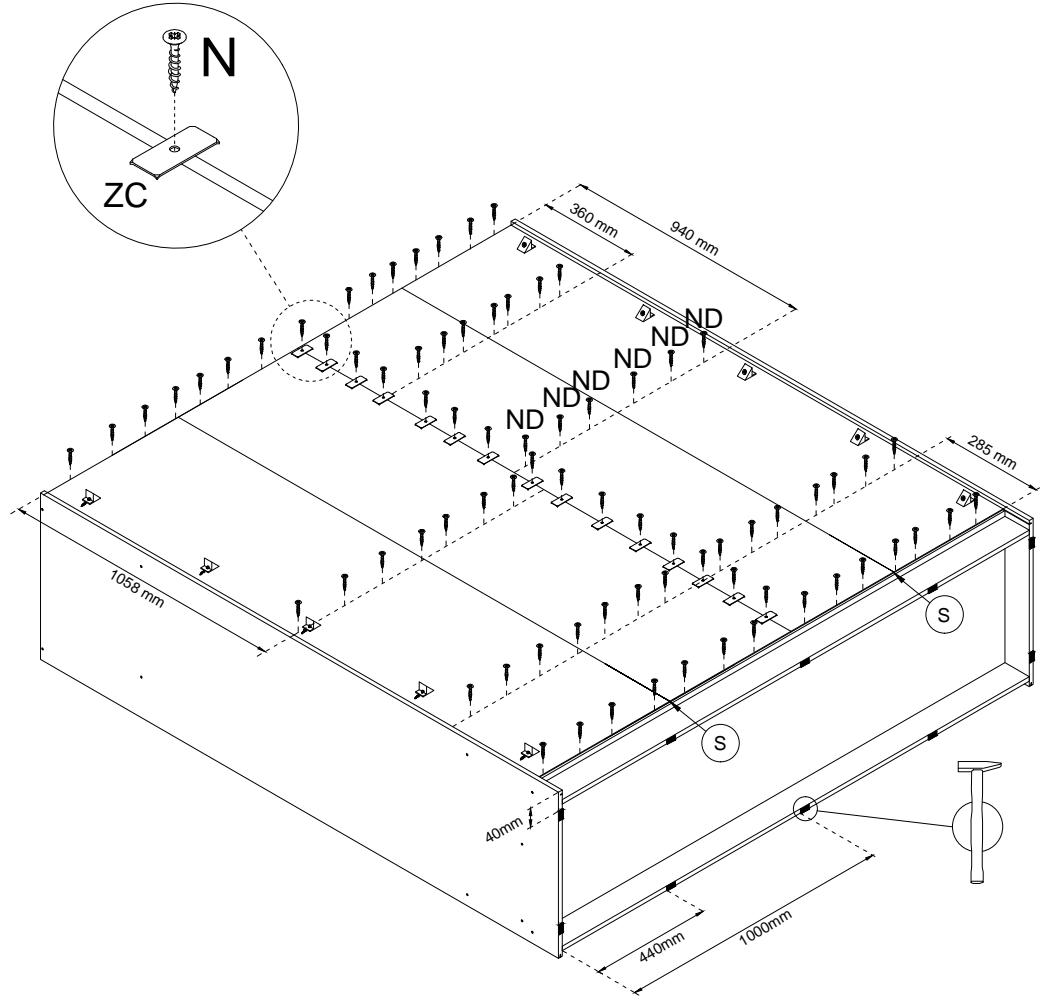
9

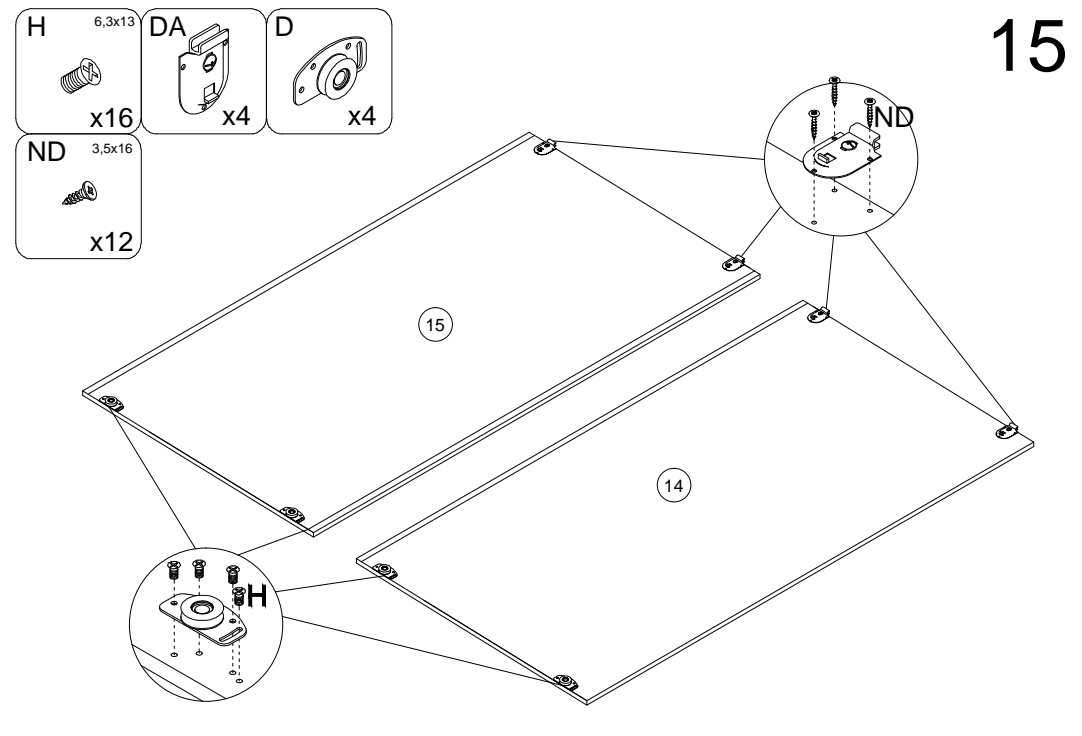
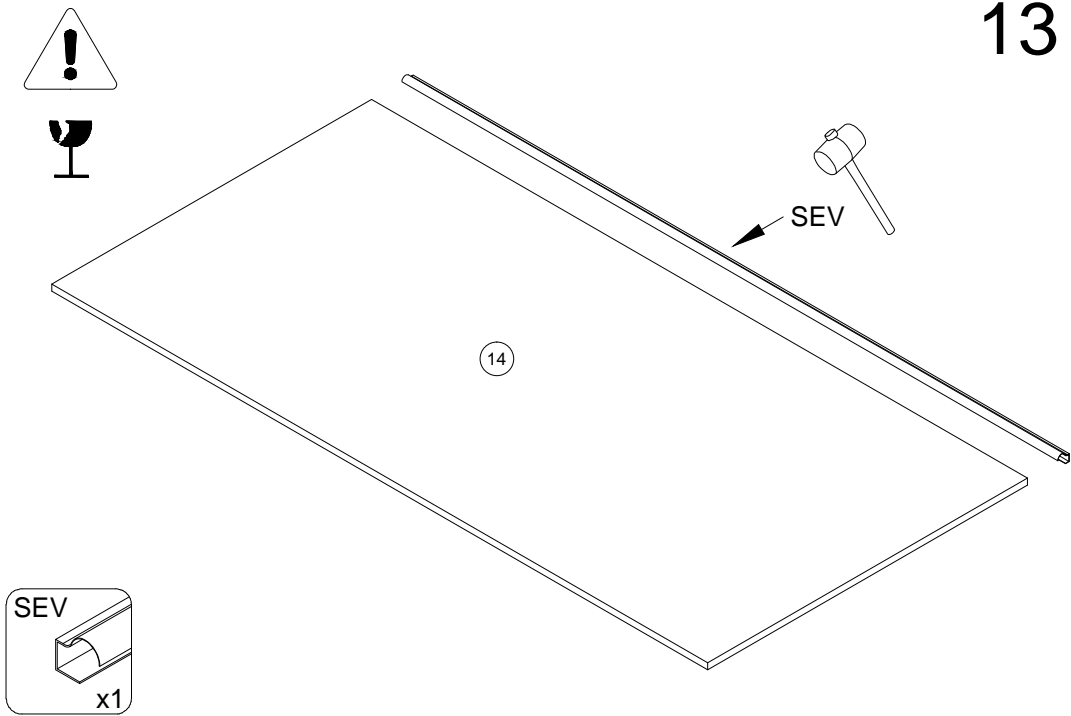
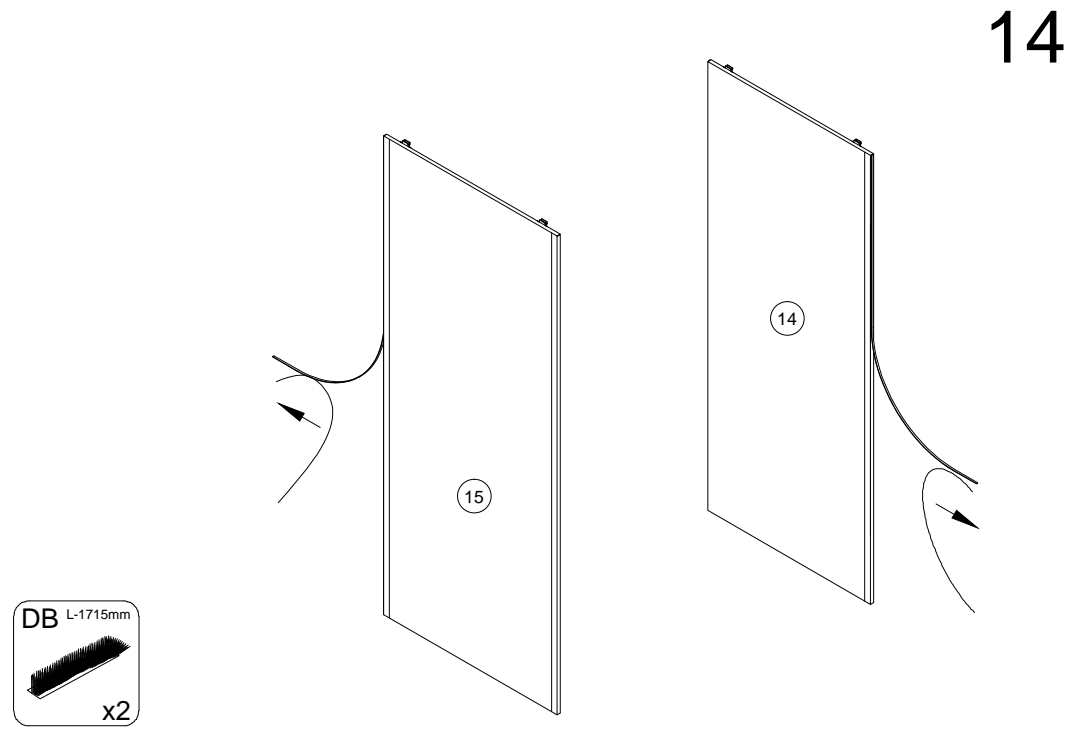
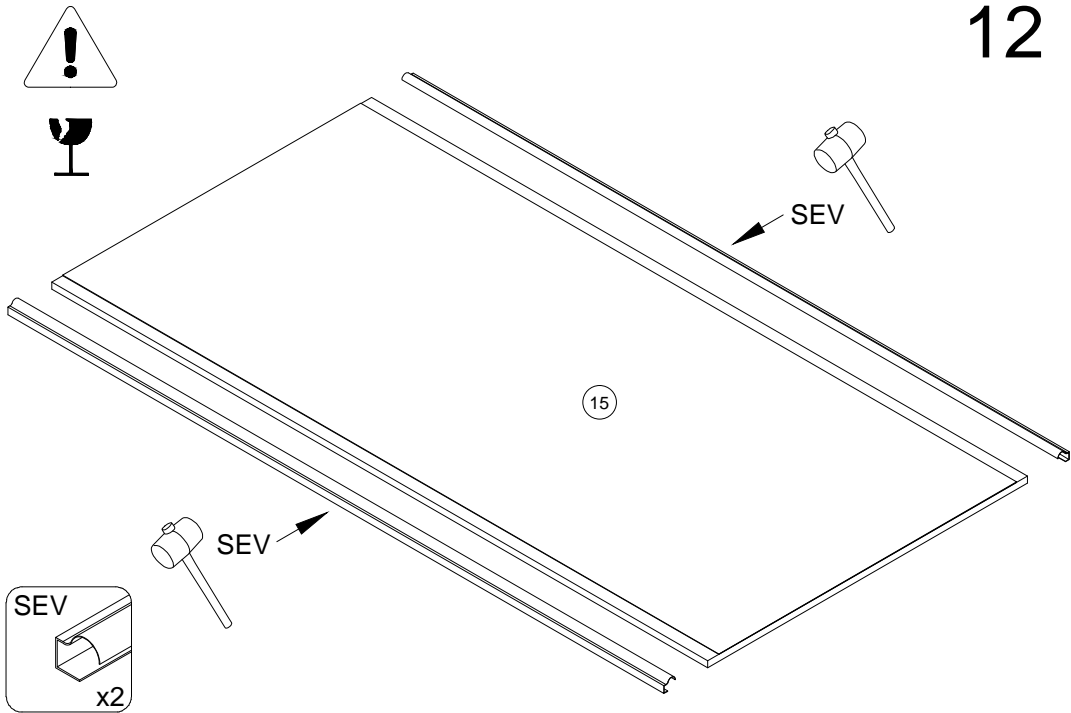


11

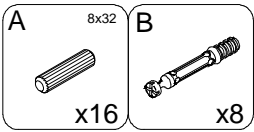
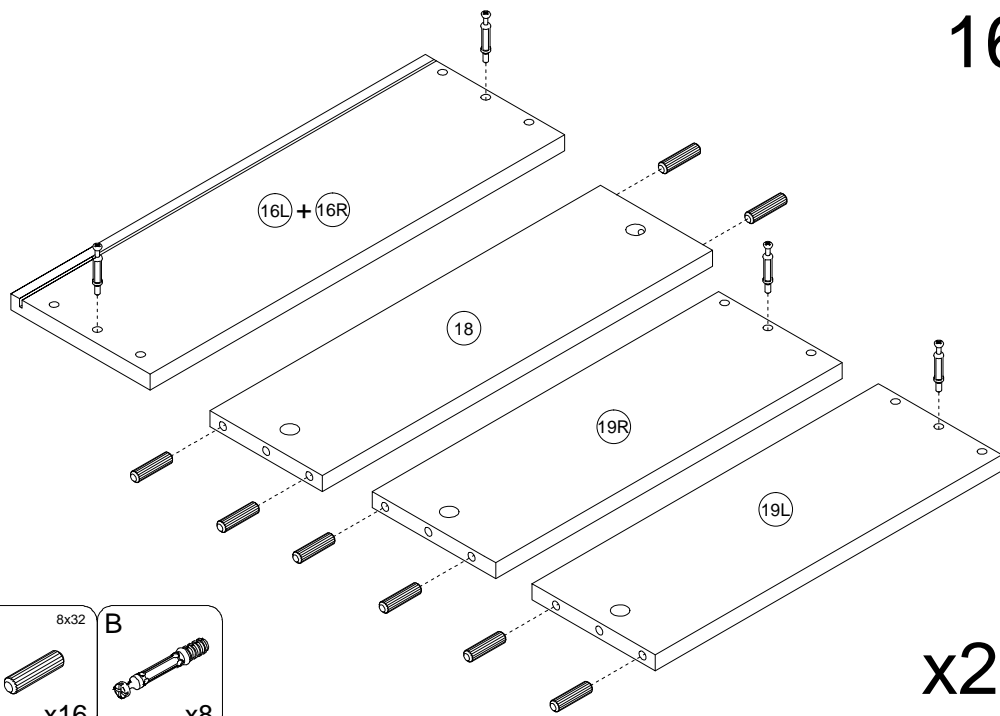


10



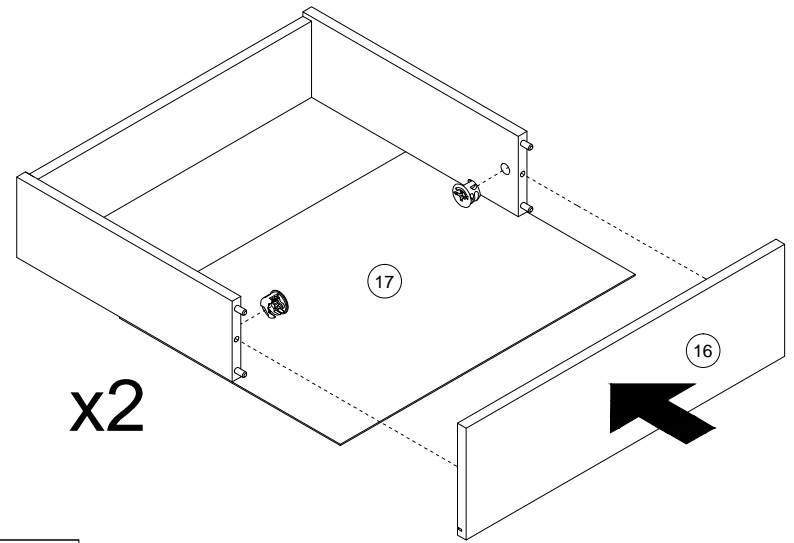


16

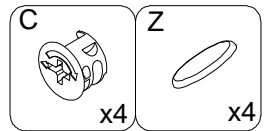
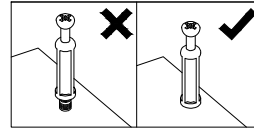


x2

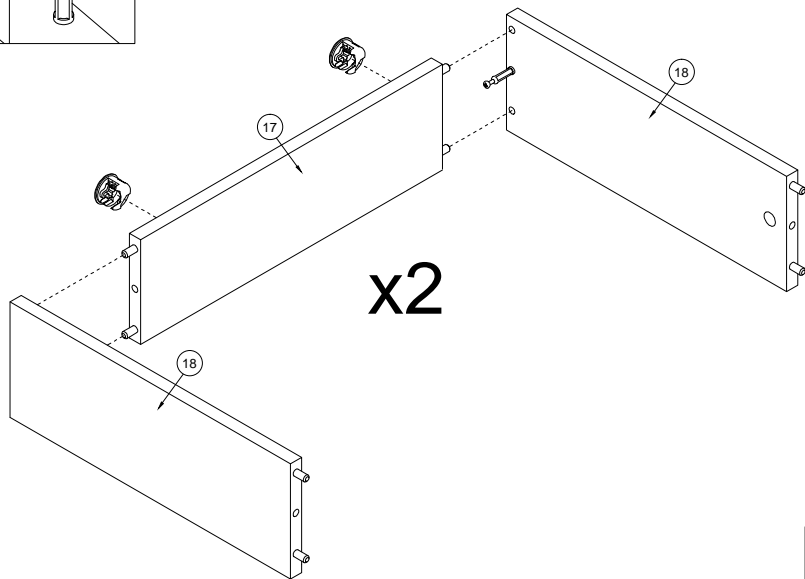
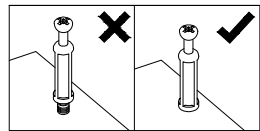
18



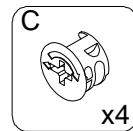
x2



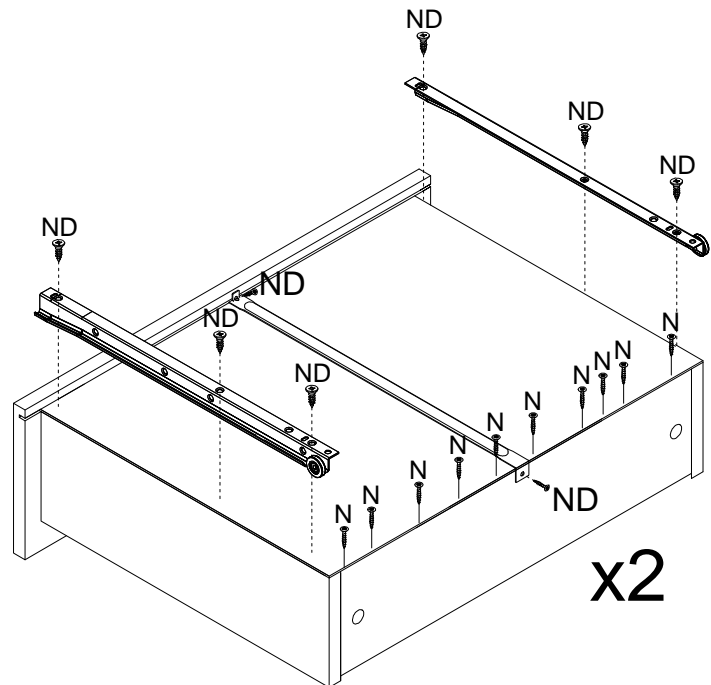
17



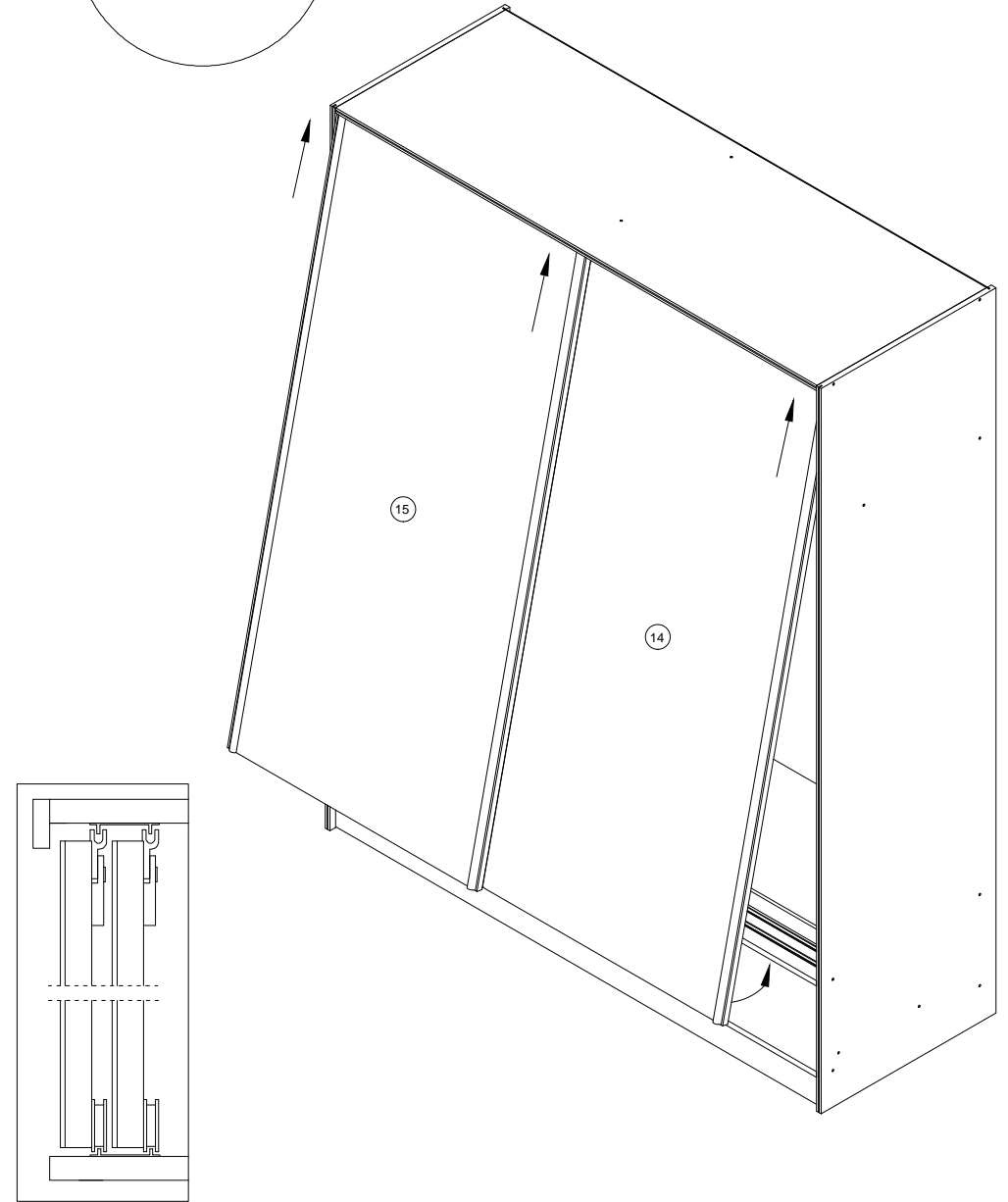
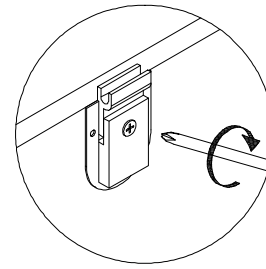
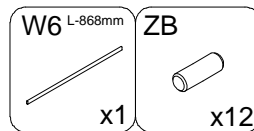
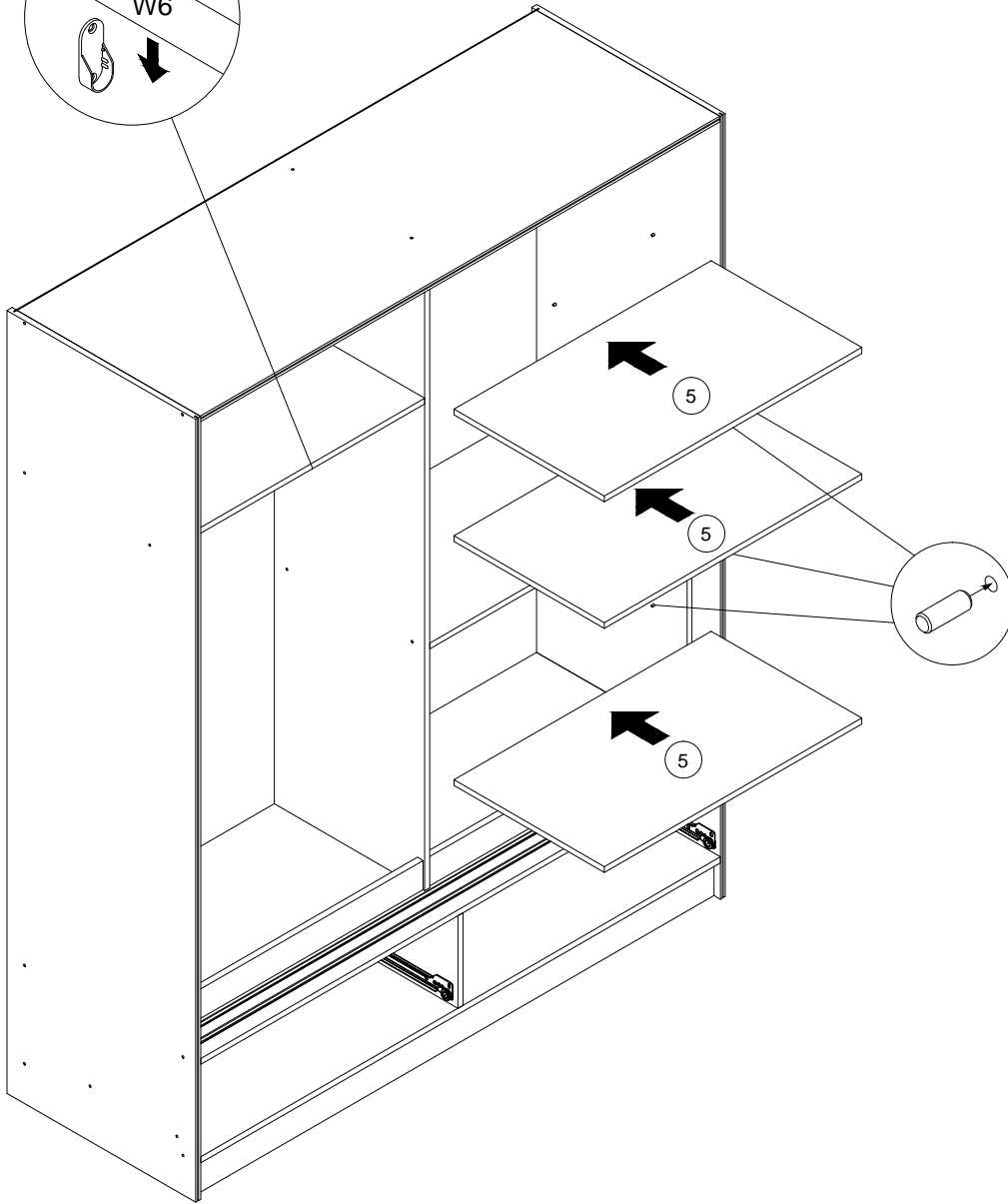
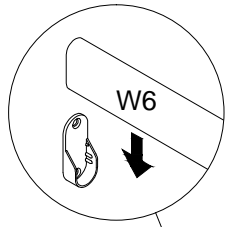
x2



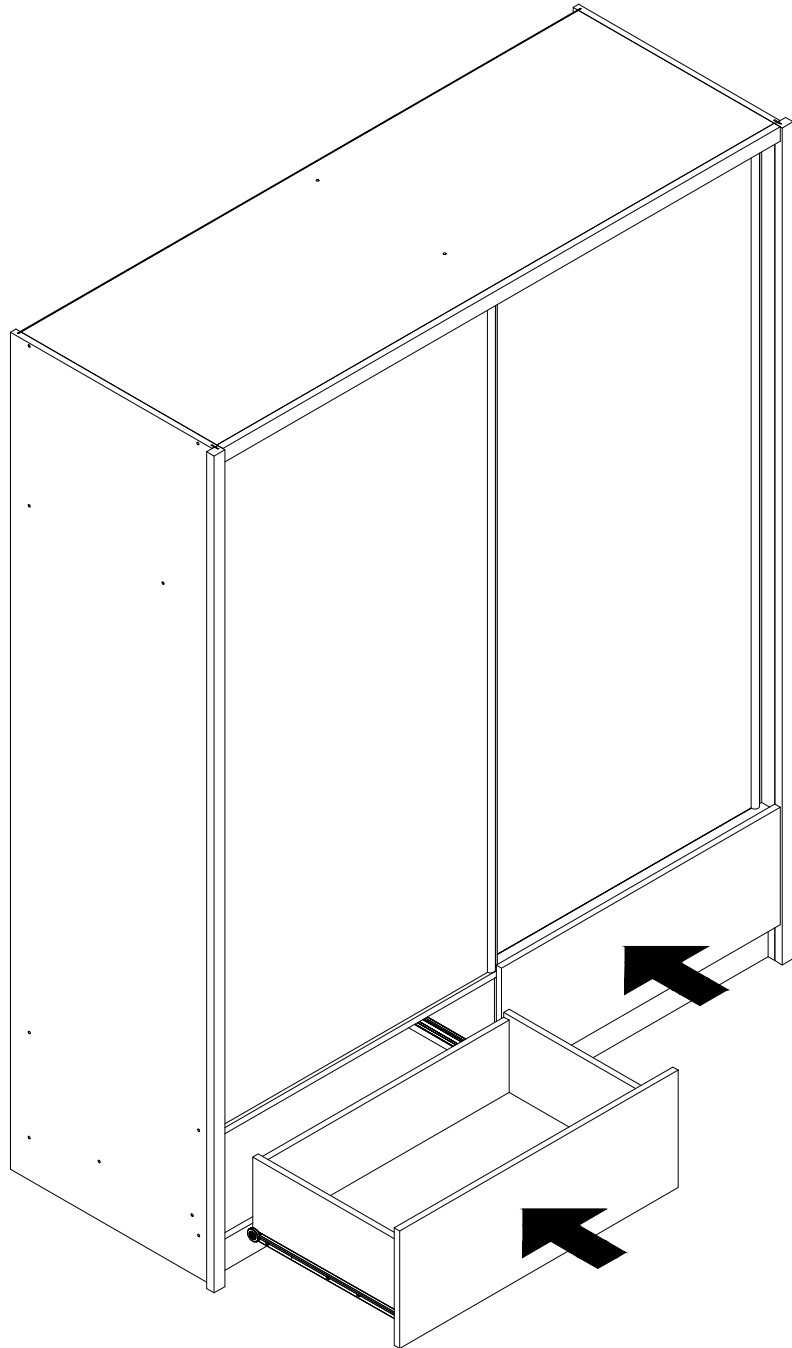
19



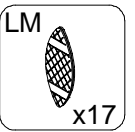
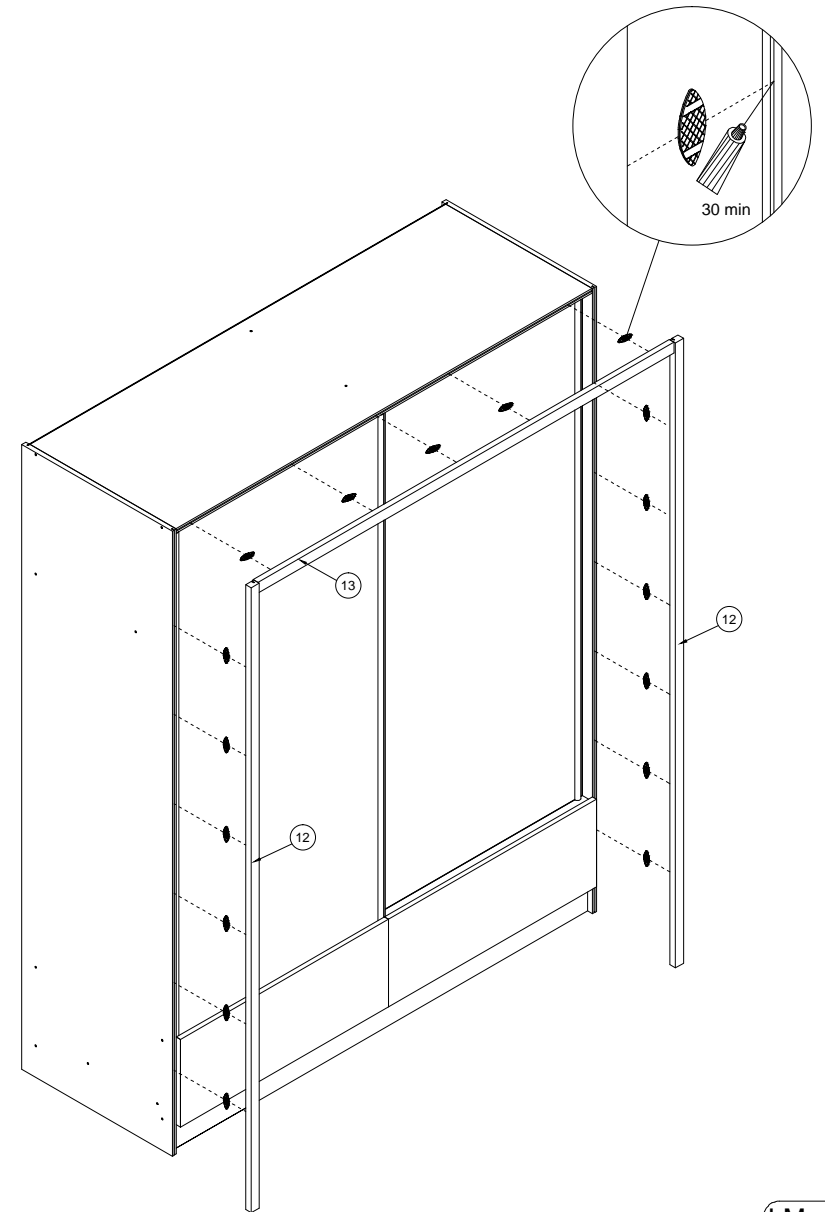
x2



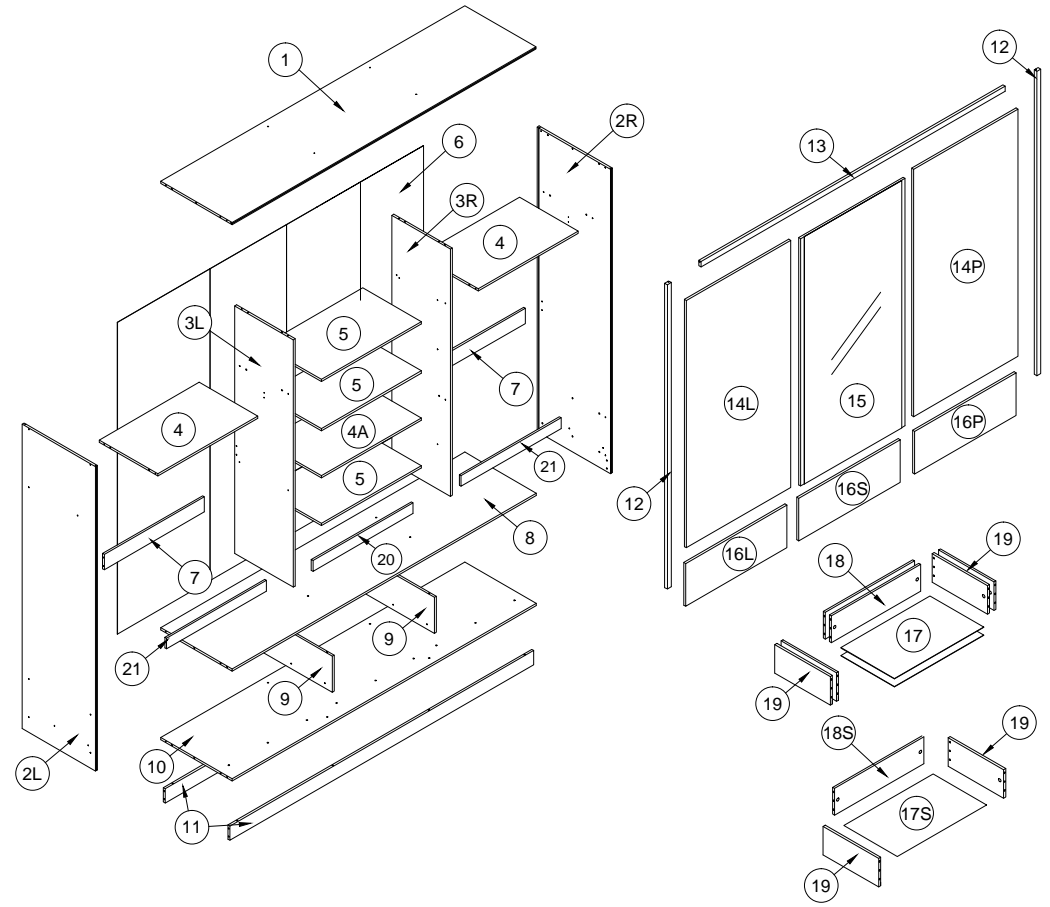
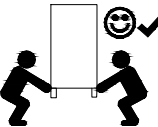
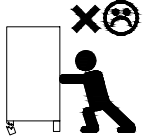
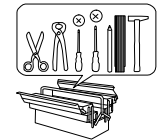
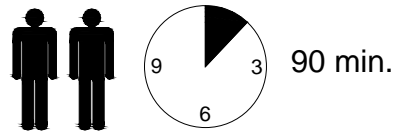
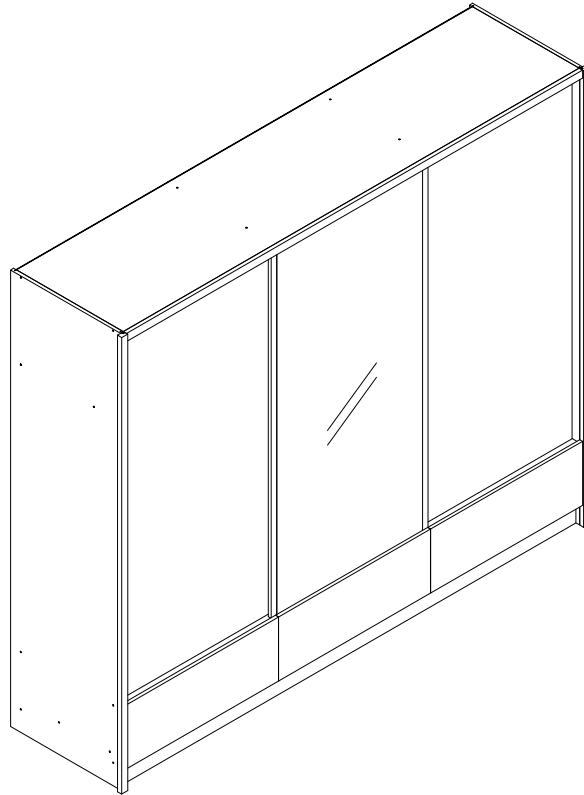
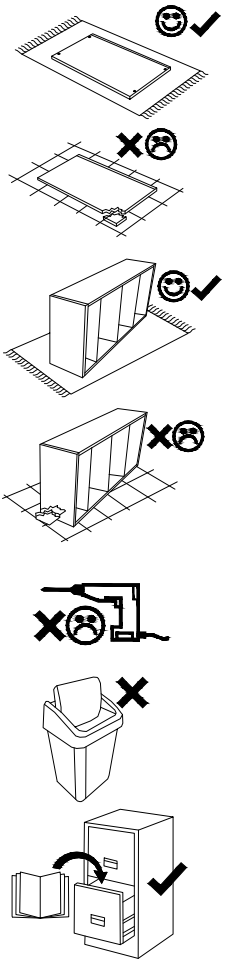
22



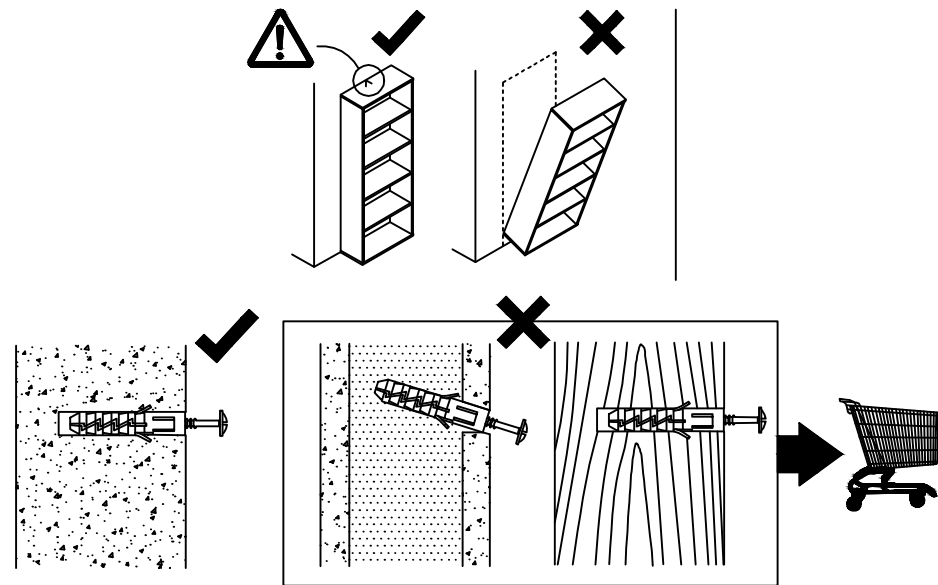
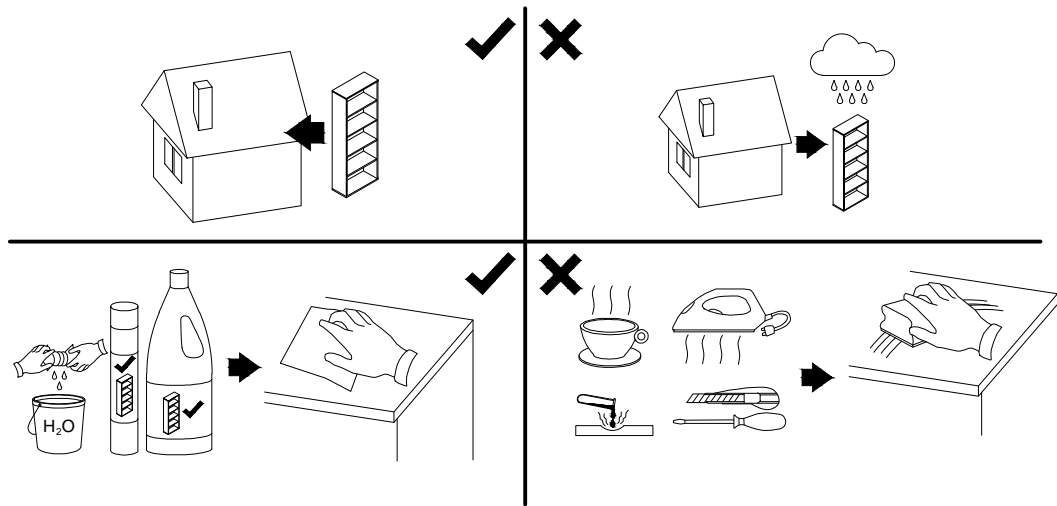
23

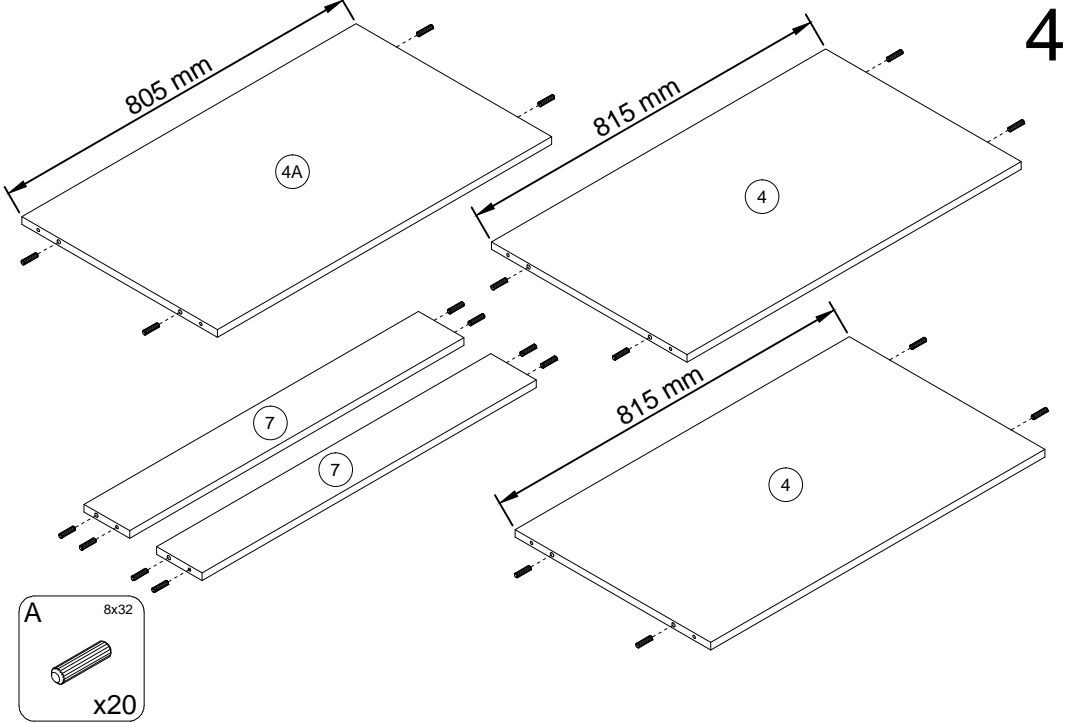
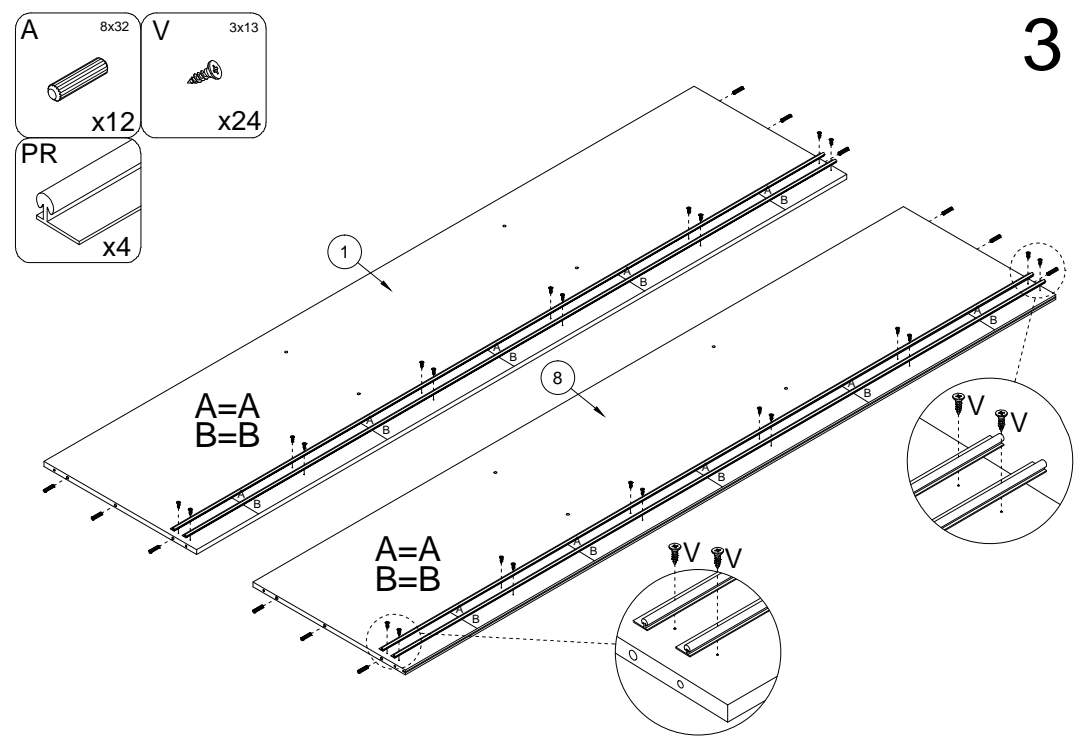
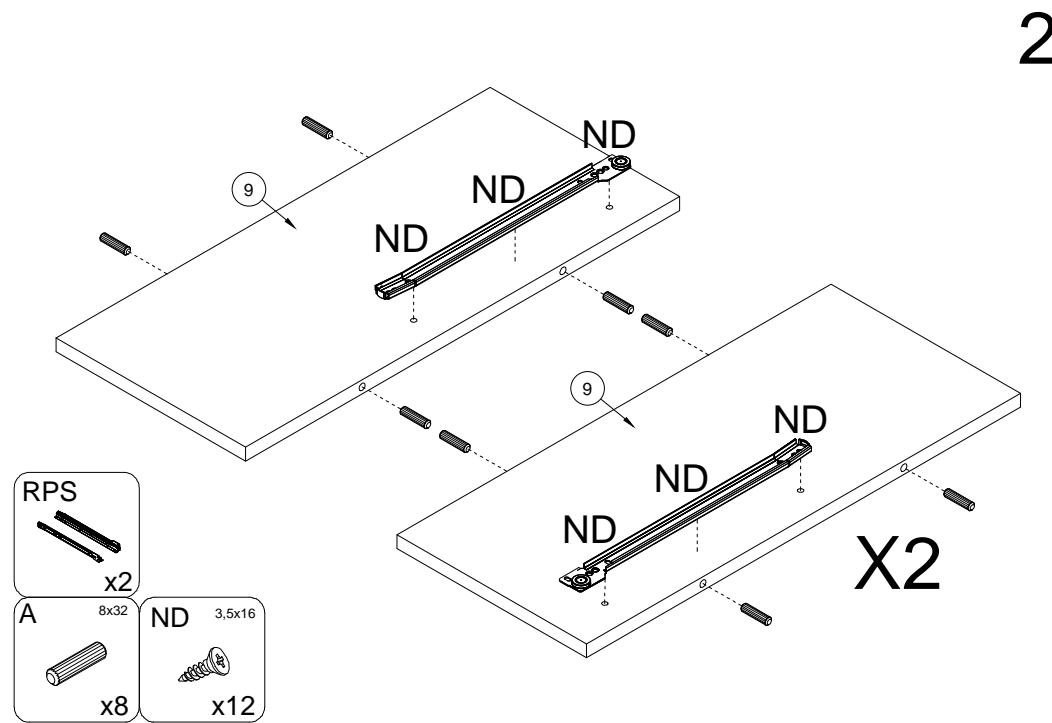
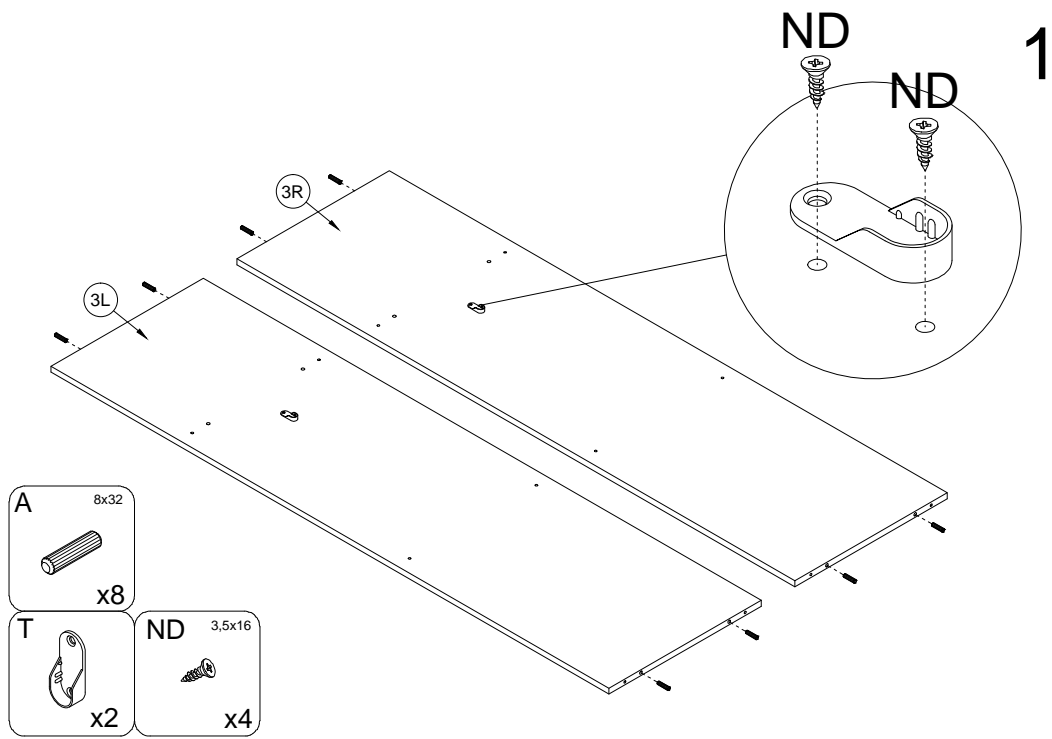


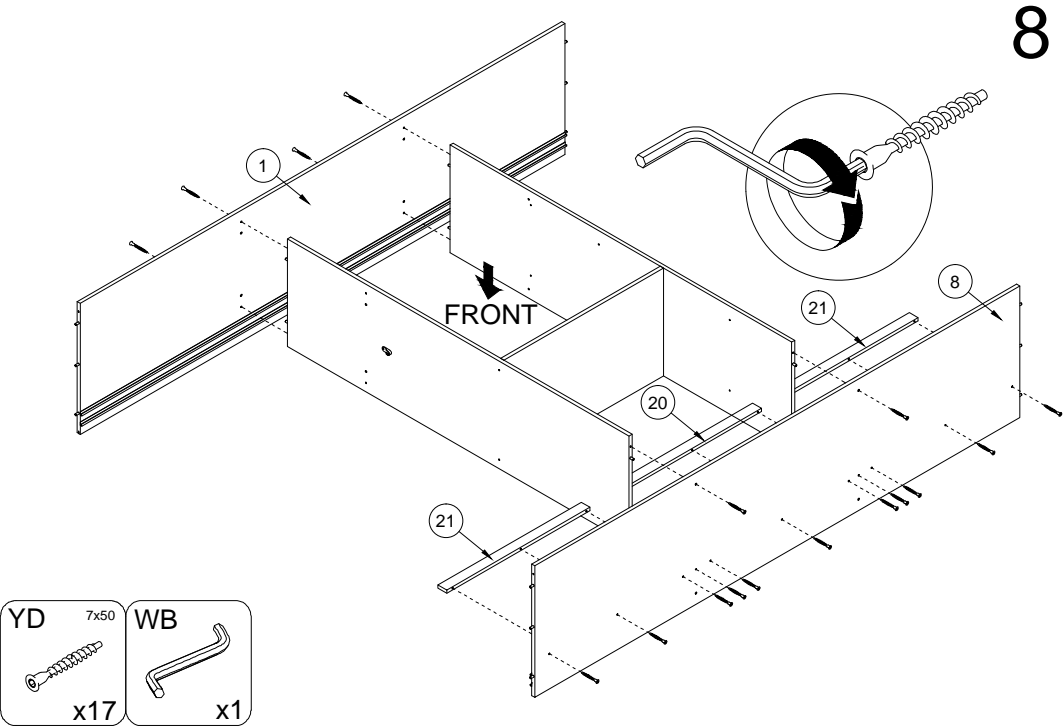
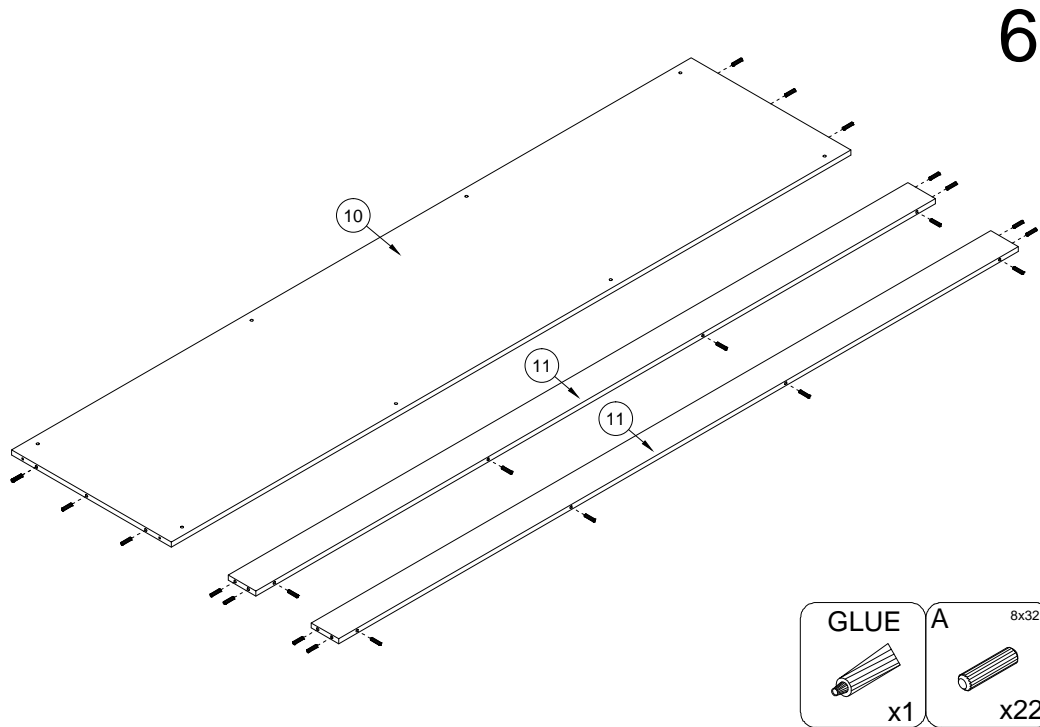
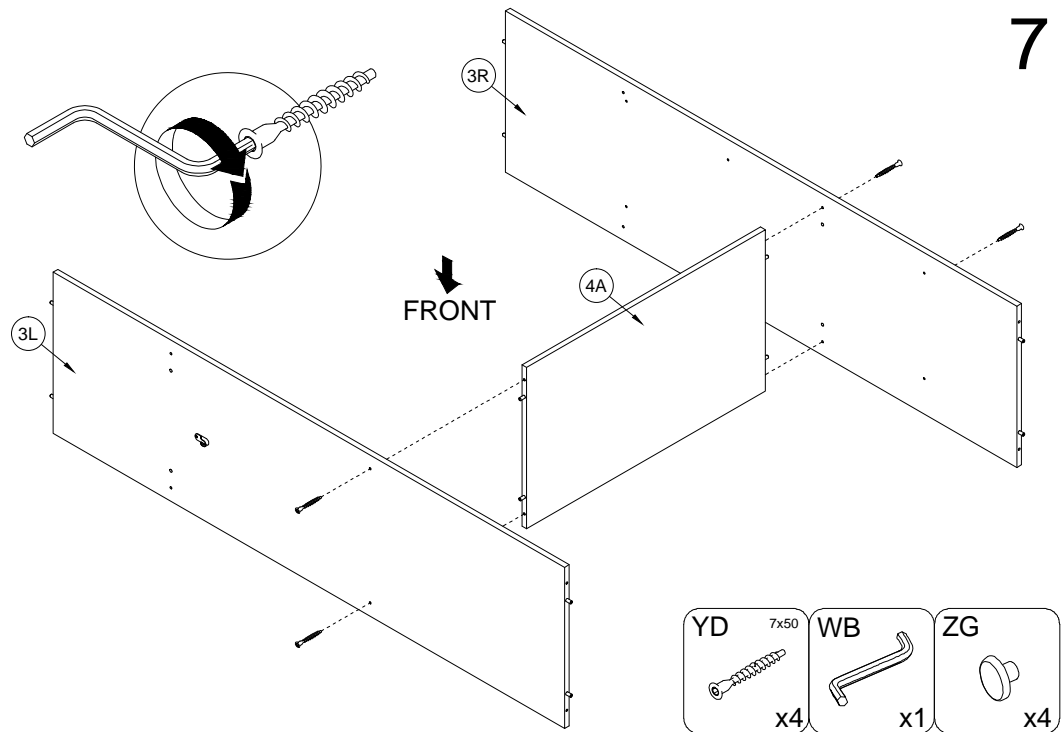
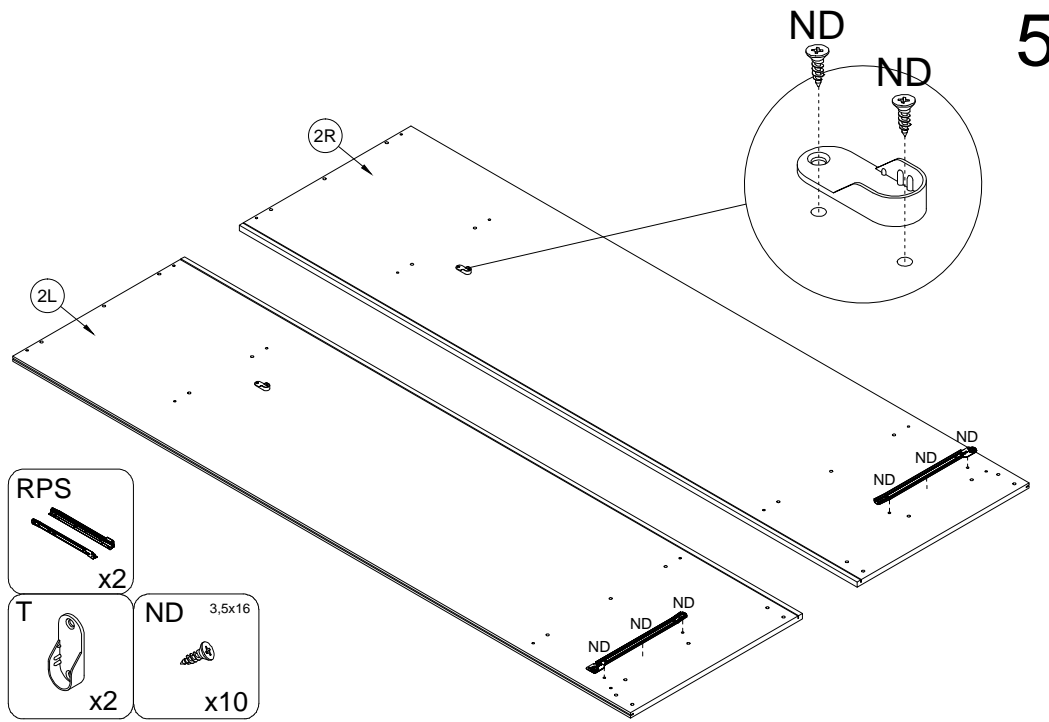
250

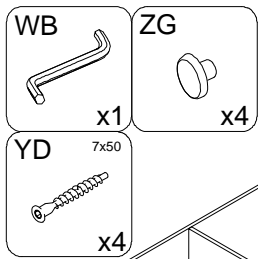


						W6 L-807mm x2	LM x19
DB L-1715mm x4	H 6.3x13 x24	DA x6	D x6	B x12	C x12	Z x6	SZP x3
A 8x32 x94	RPS x3	V 3x13 x24	GLUE x2	SP x12	S L-2008mm x3	N 3x20 x120	SEV x4
T x4	ND 3.5x16 x76	ZB x12	PR x4	YD 7x50 x41	WB x1	ZG x24	X x10

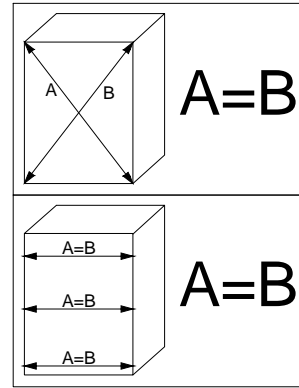
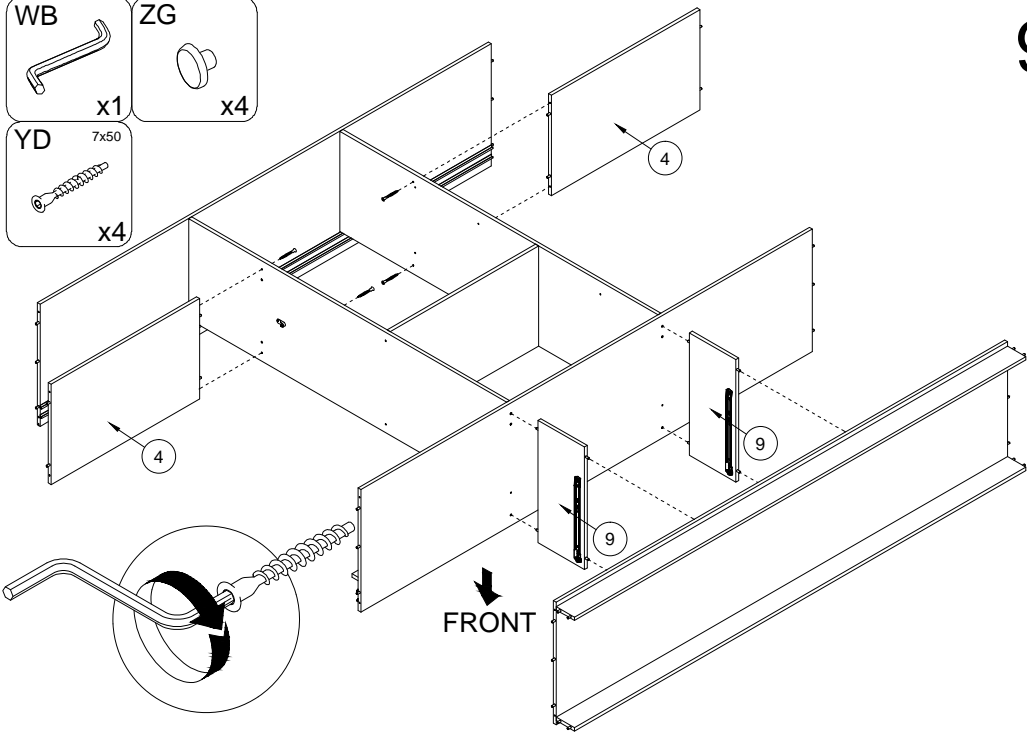




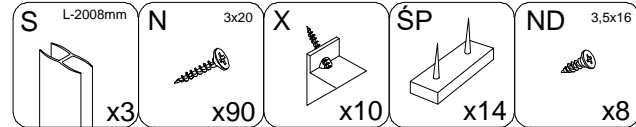
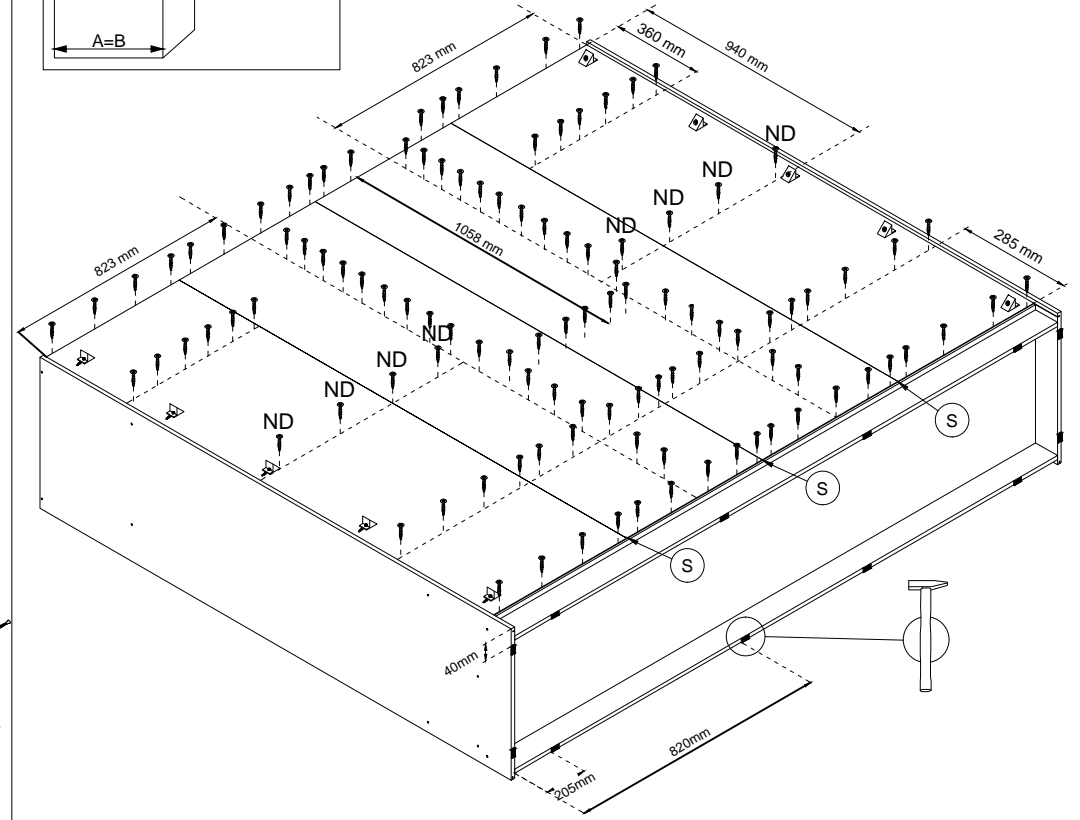
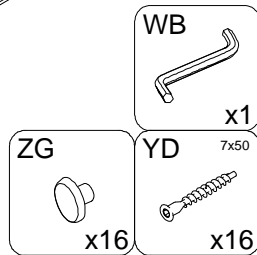
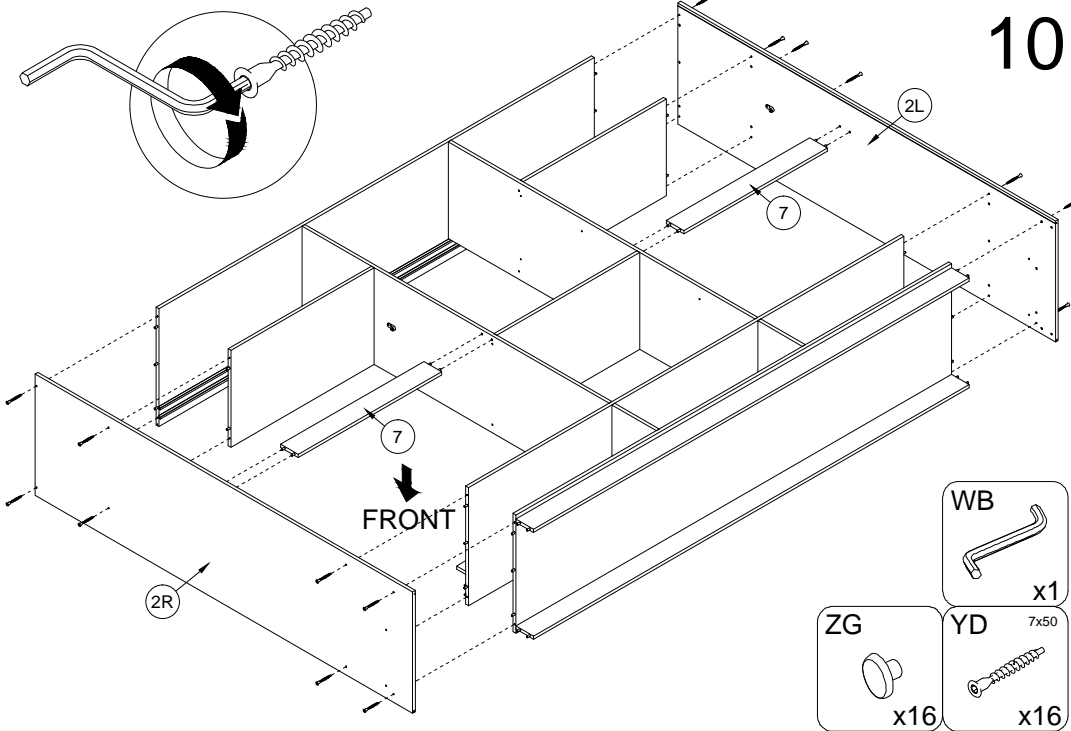


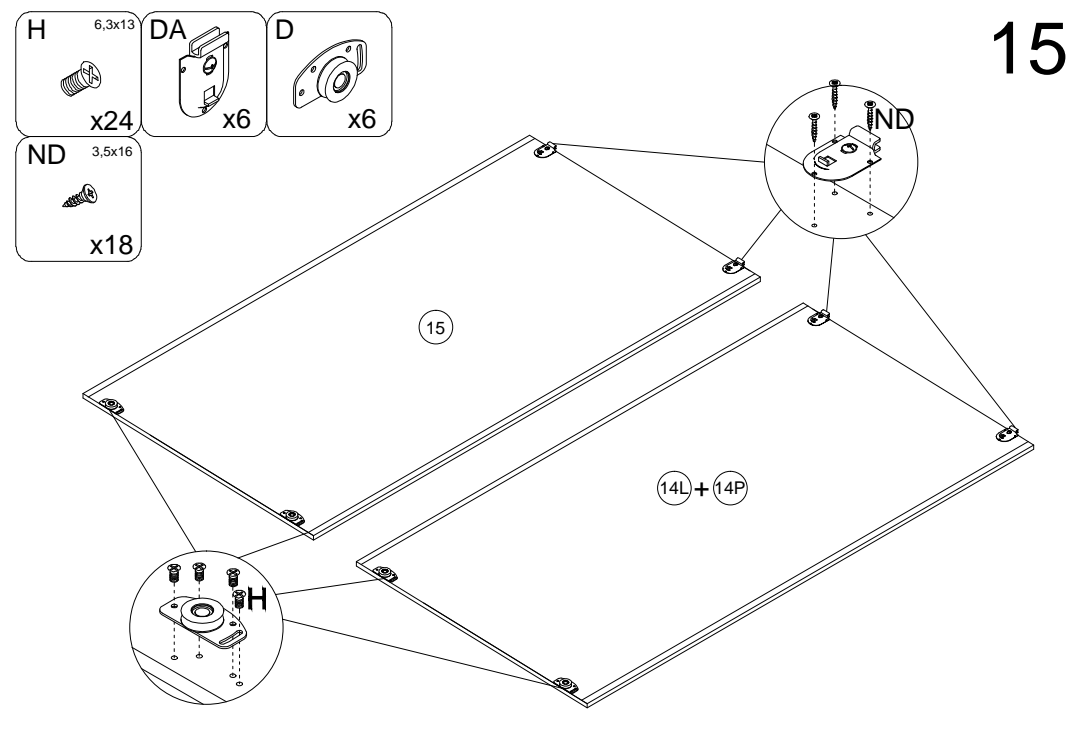
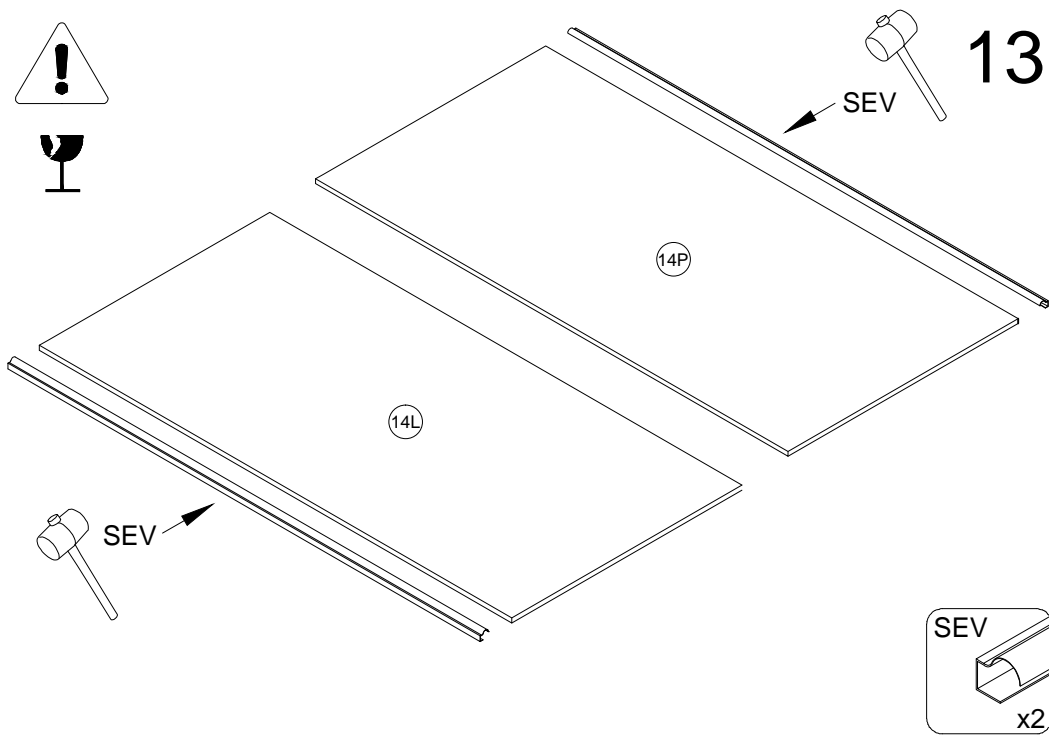
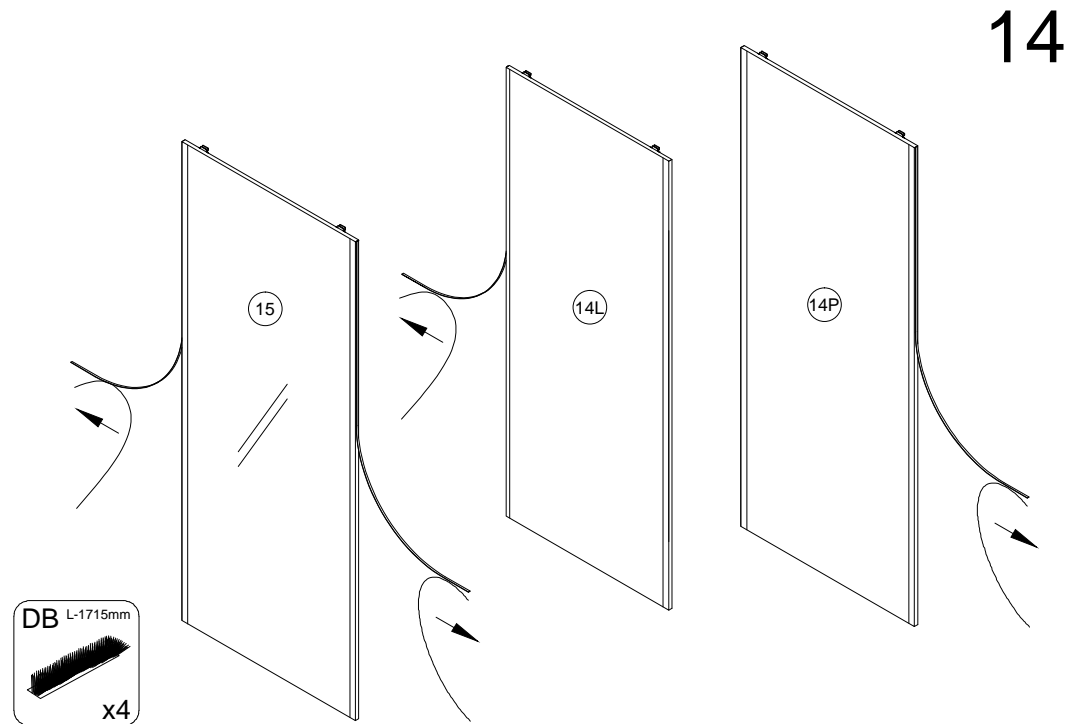
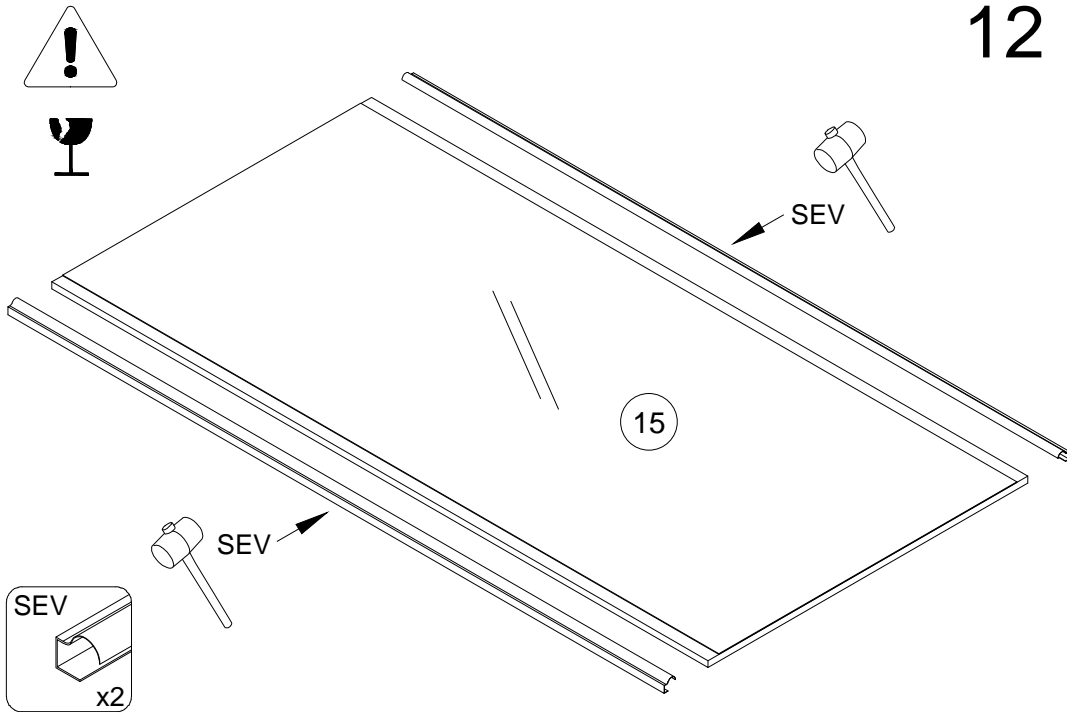


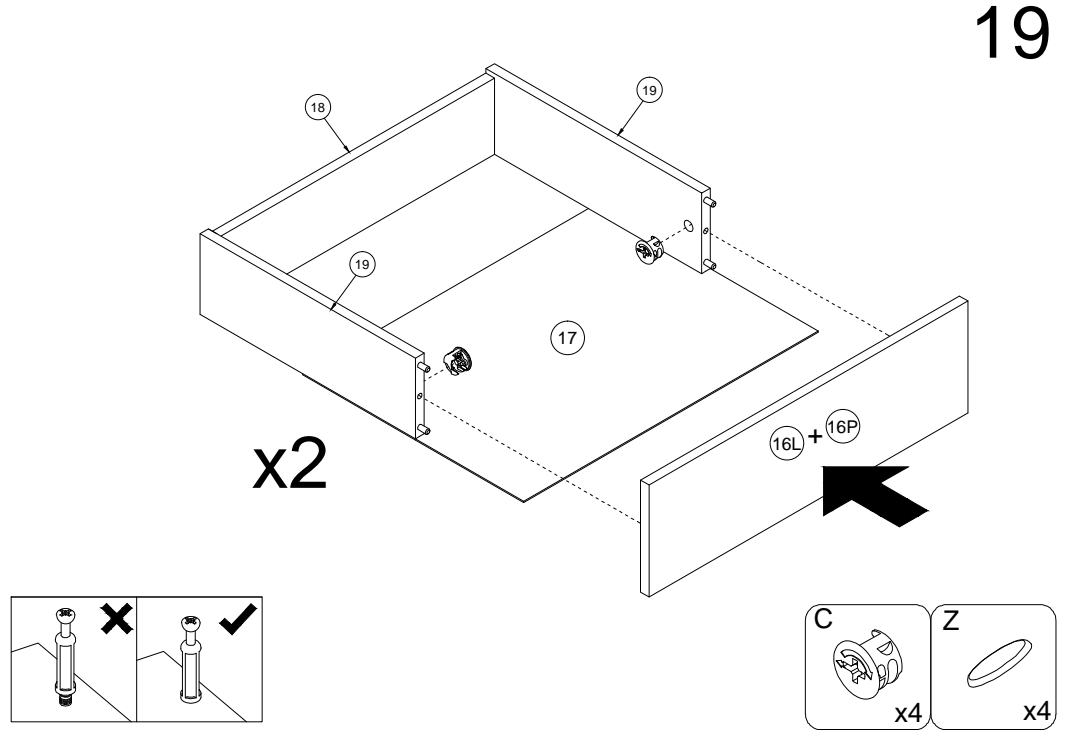
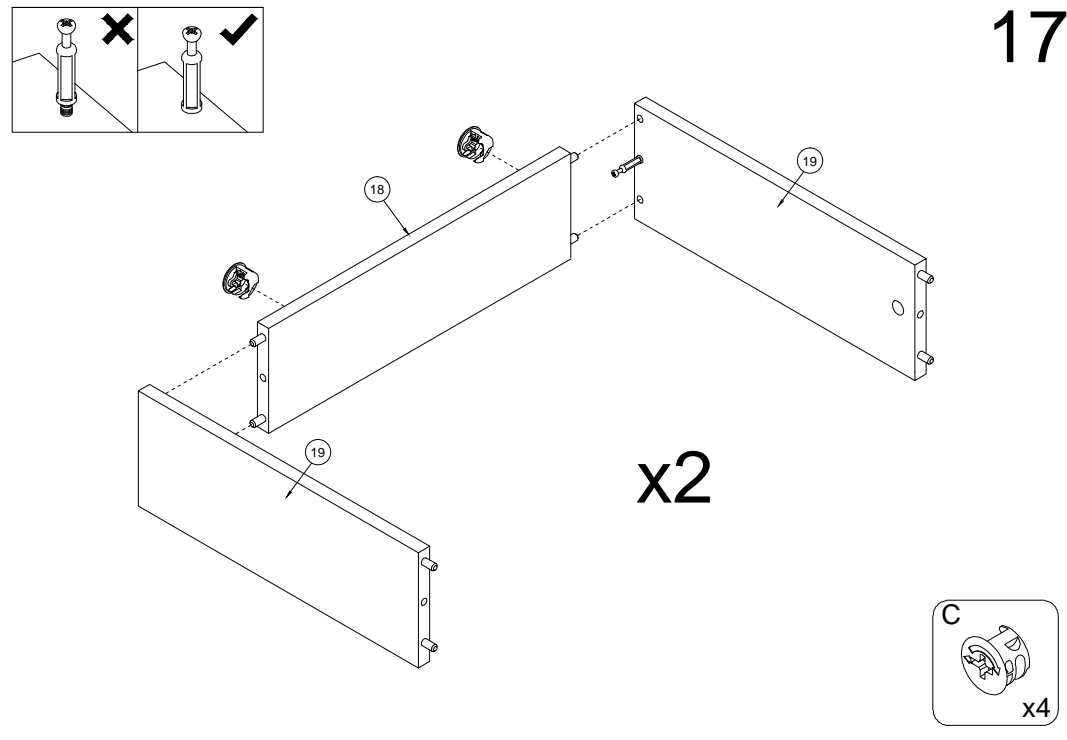
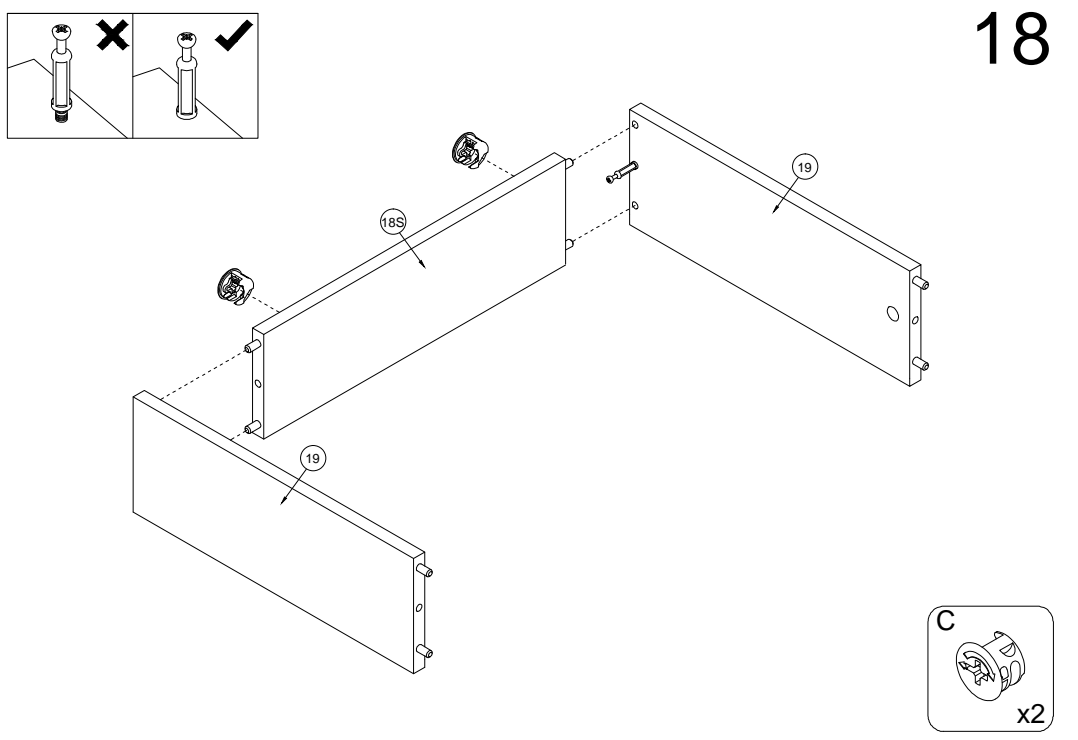
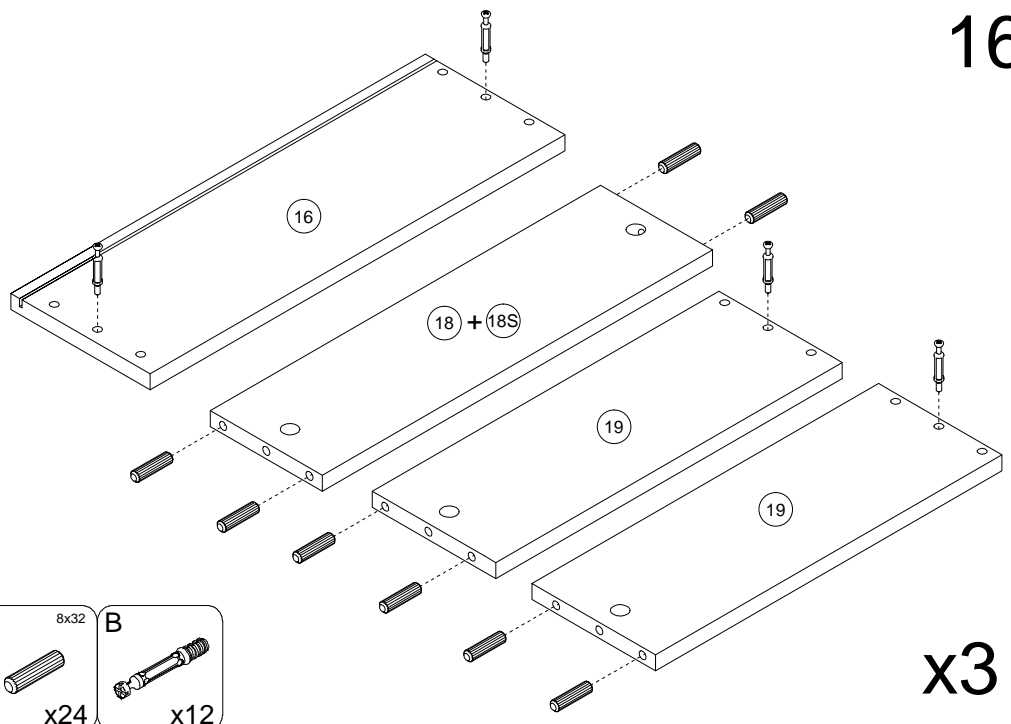
9



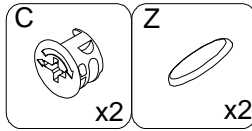
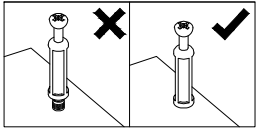
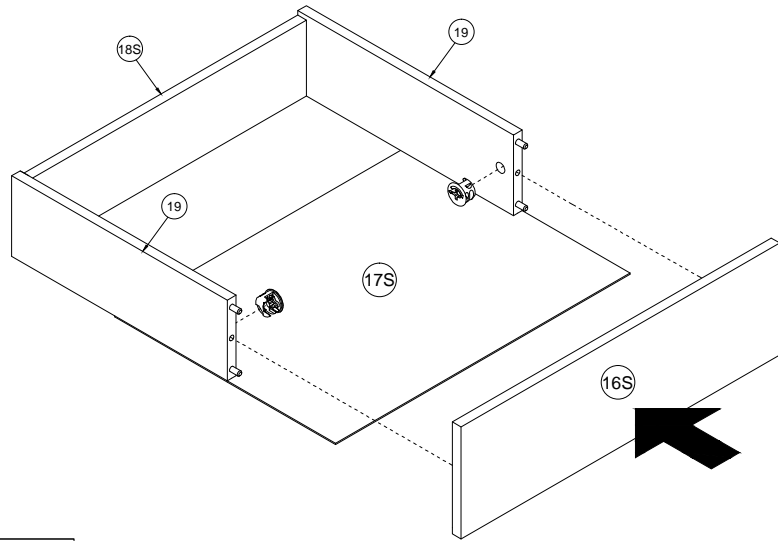
10



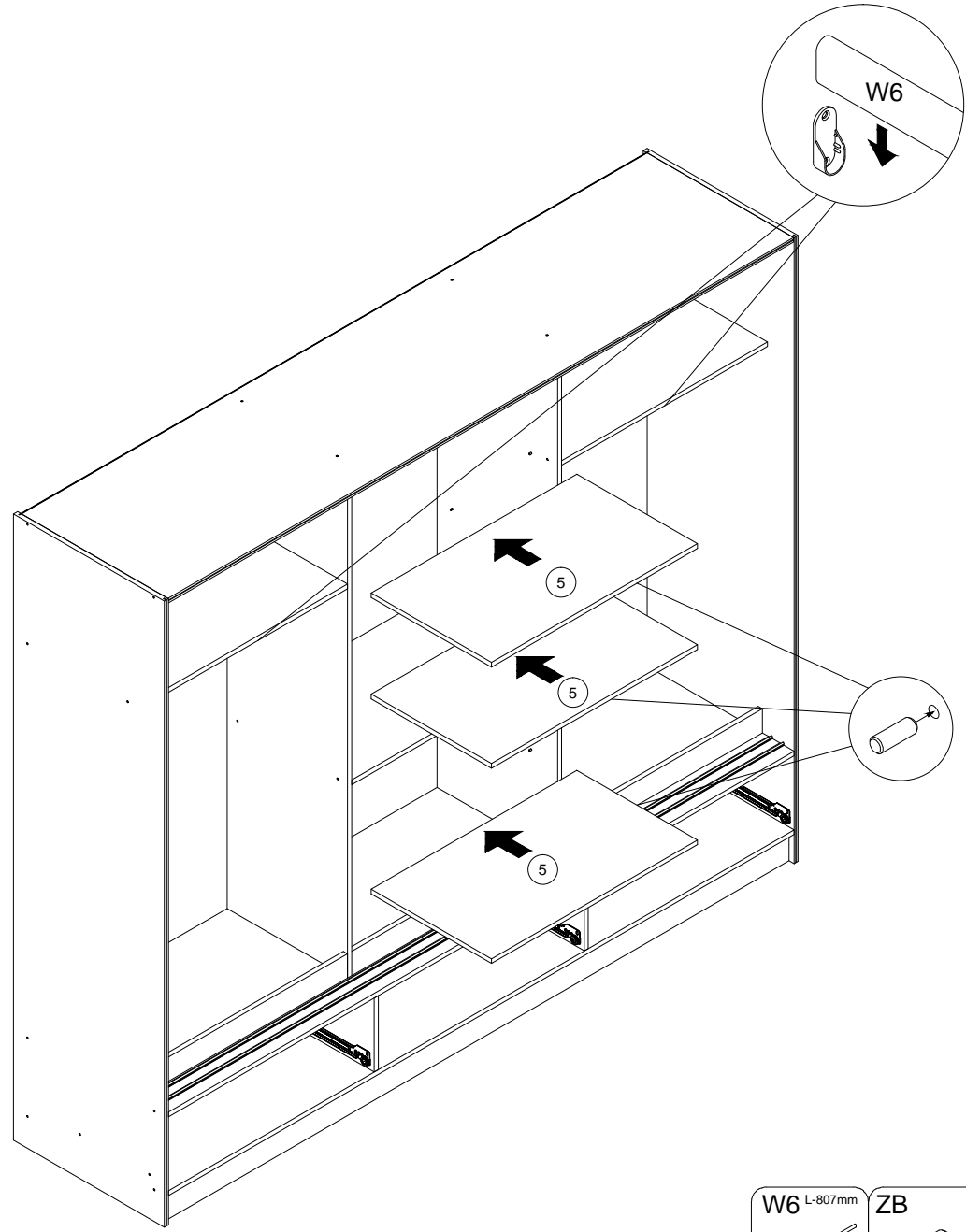




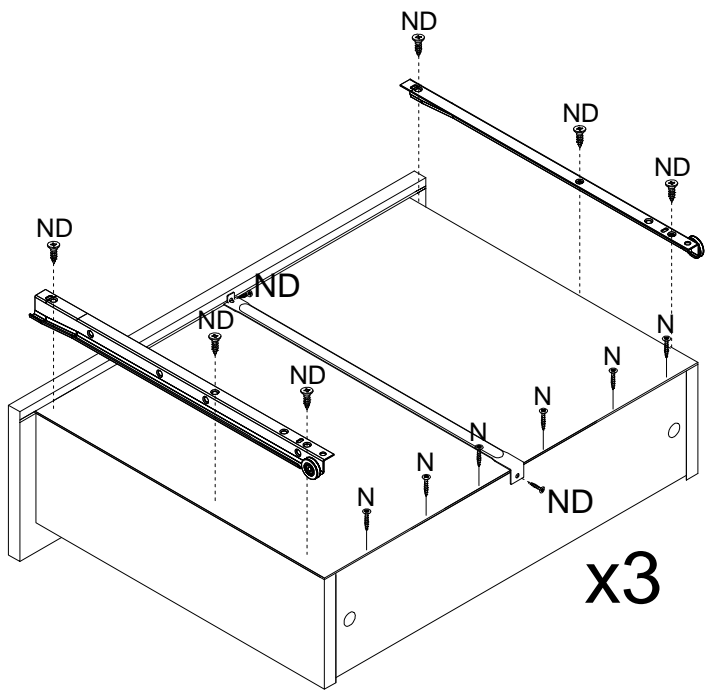
20



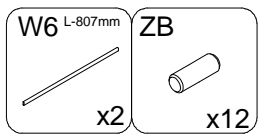
22



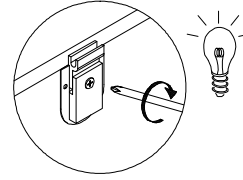
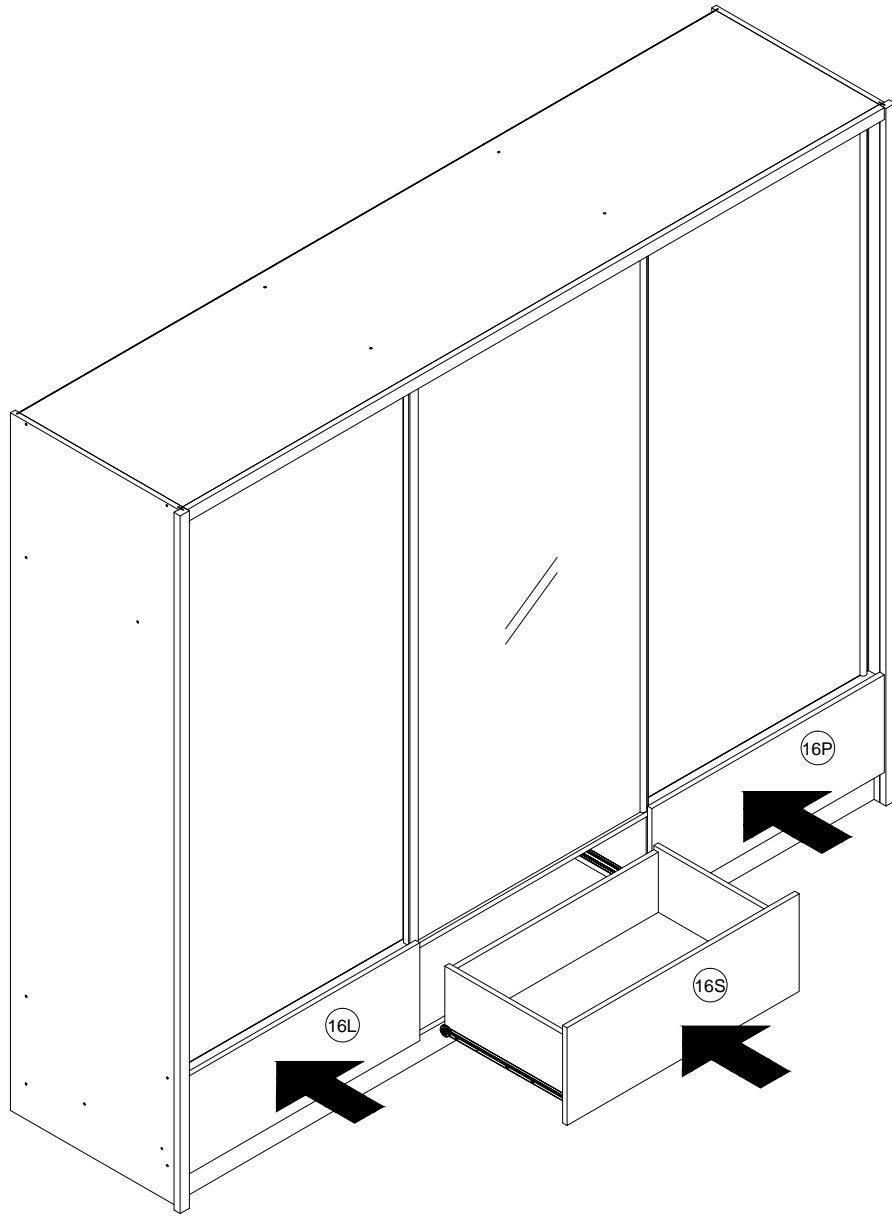
21



x3



23



24

