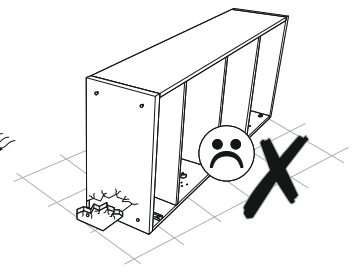
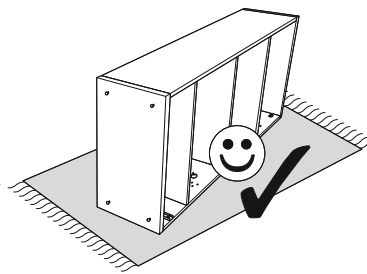
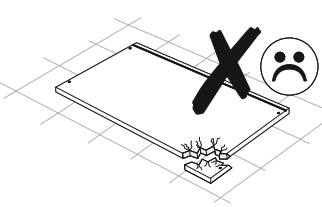
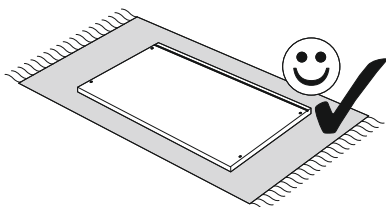
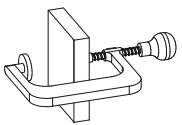
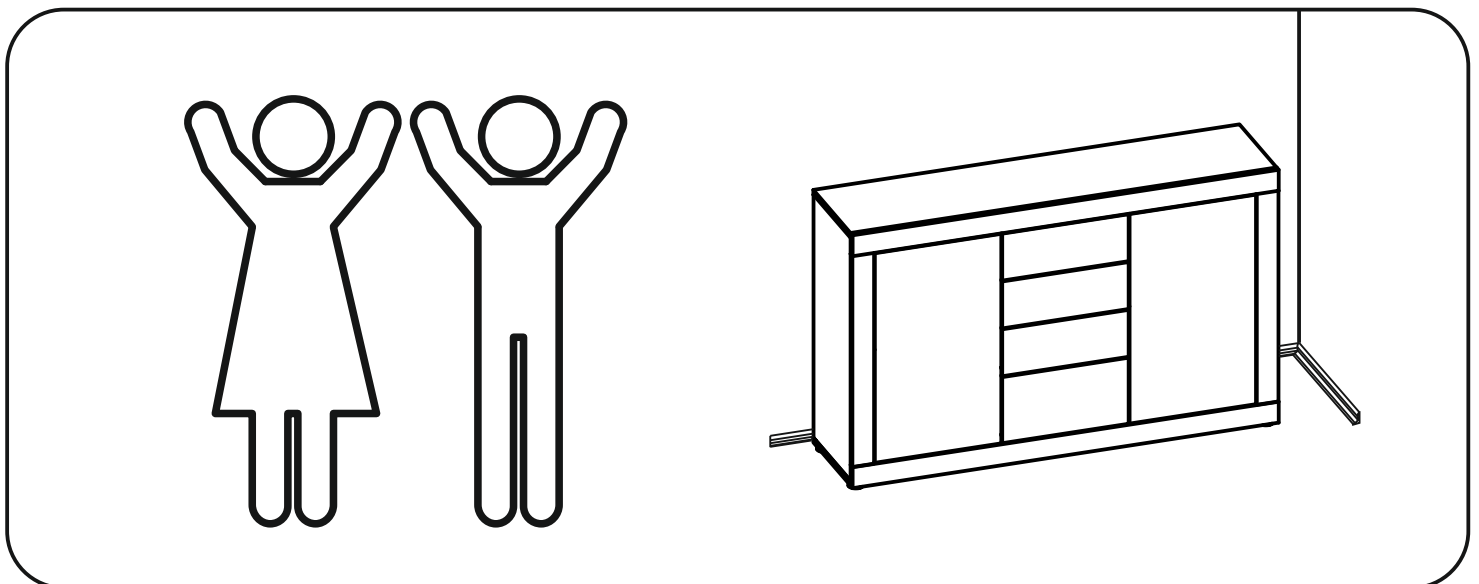
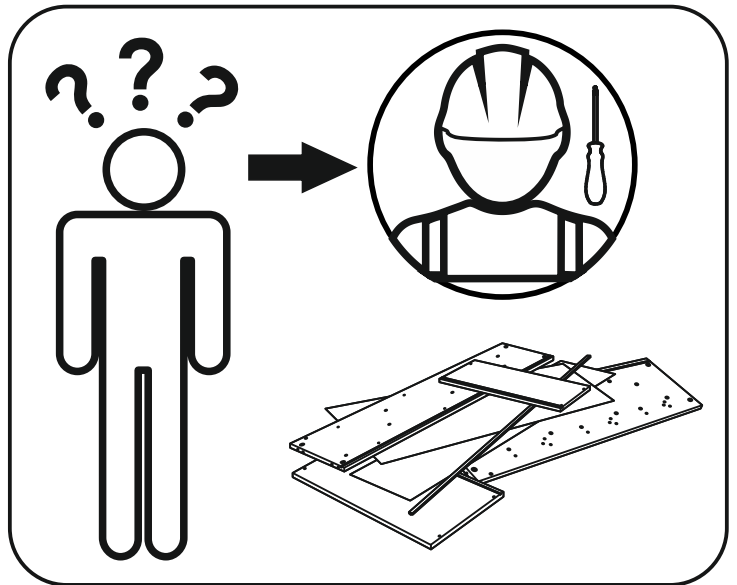
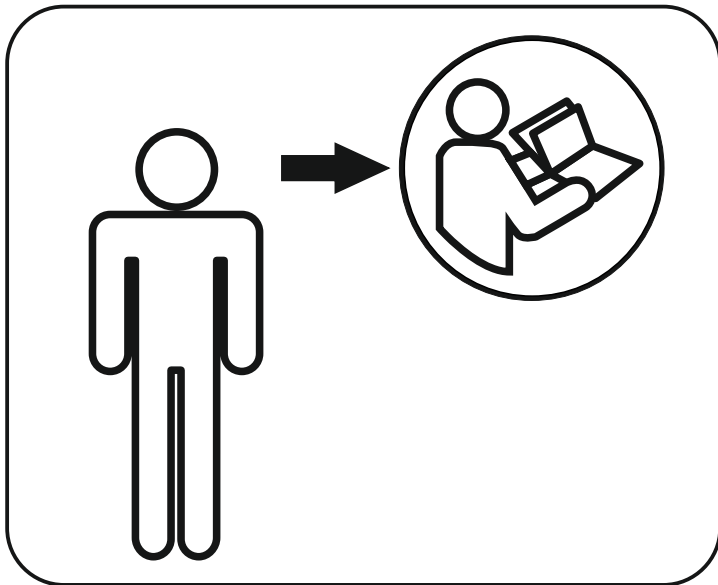
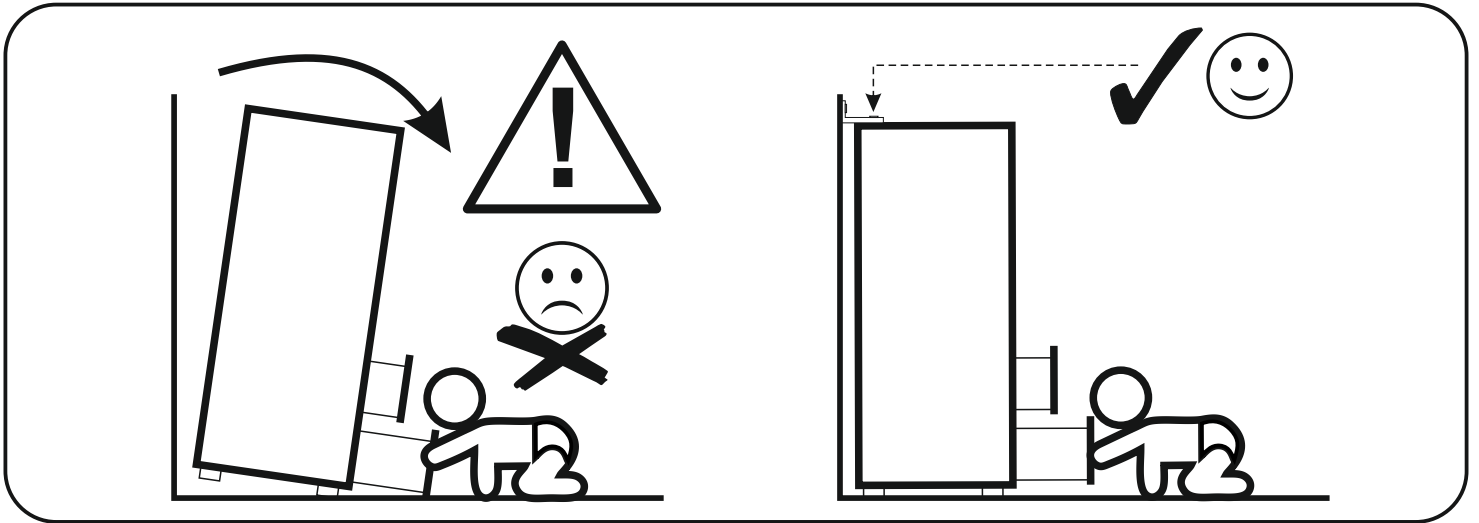
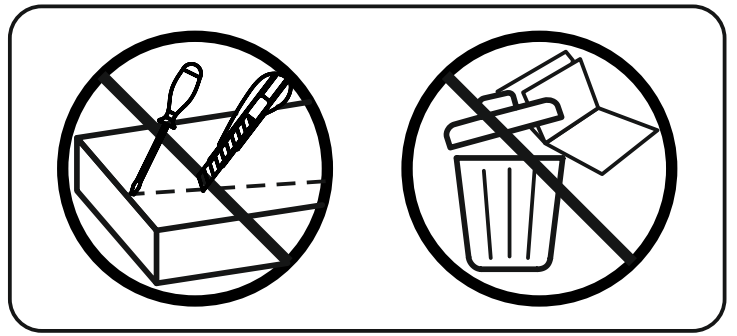
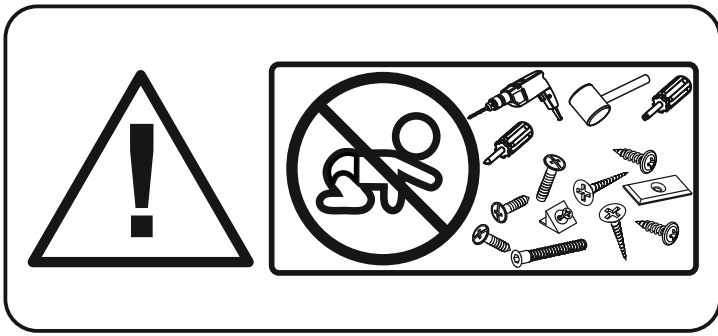
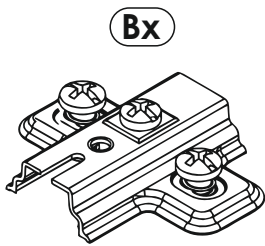
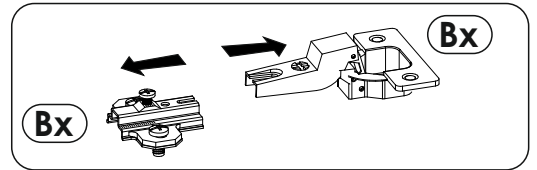
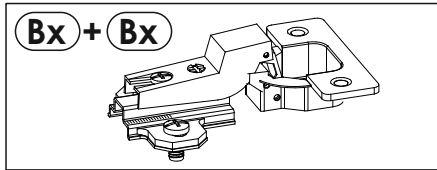
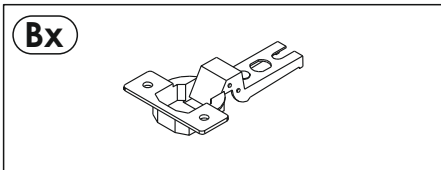
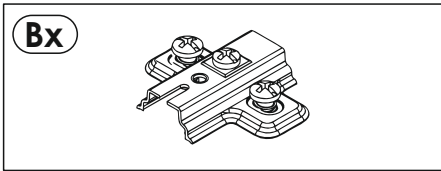
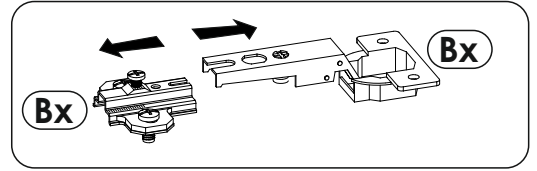
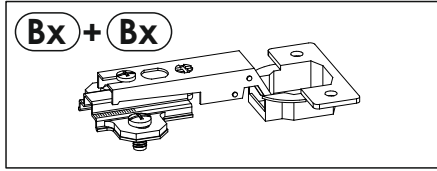
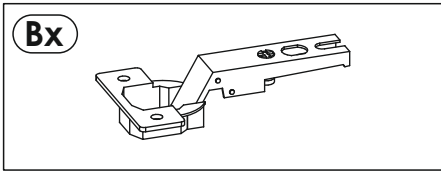
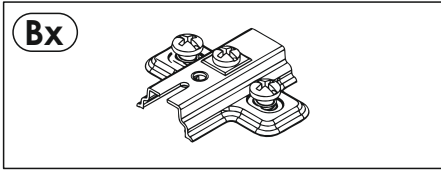


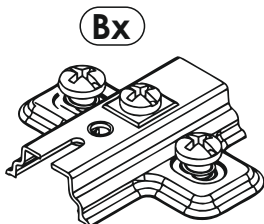
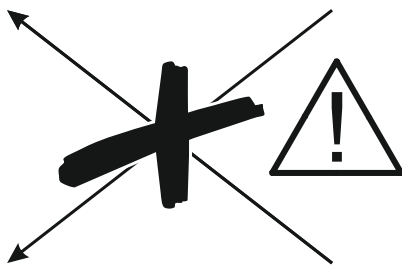
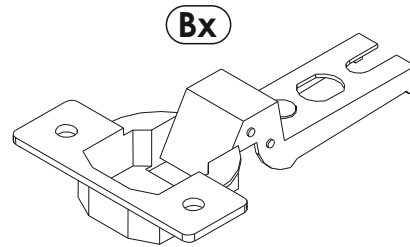
Ø5  
Ø8



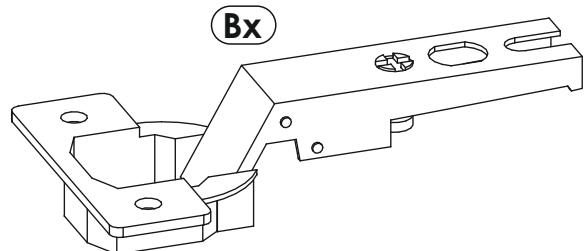




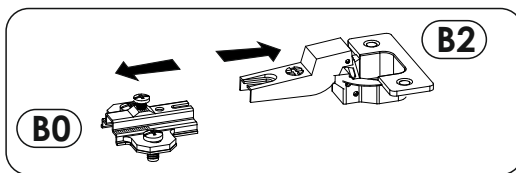
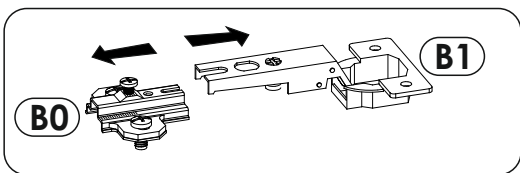
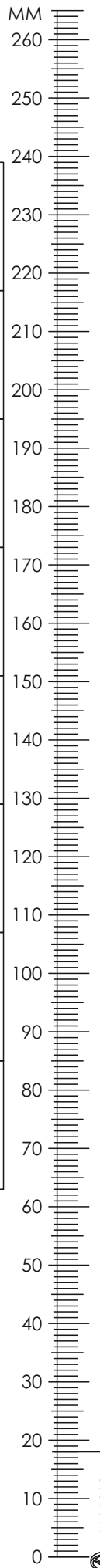
OK

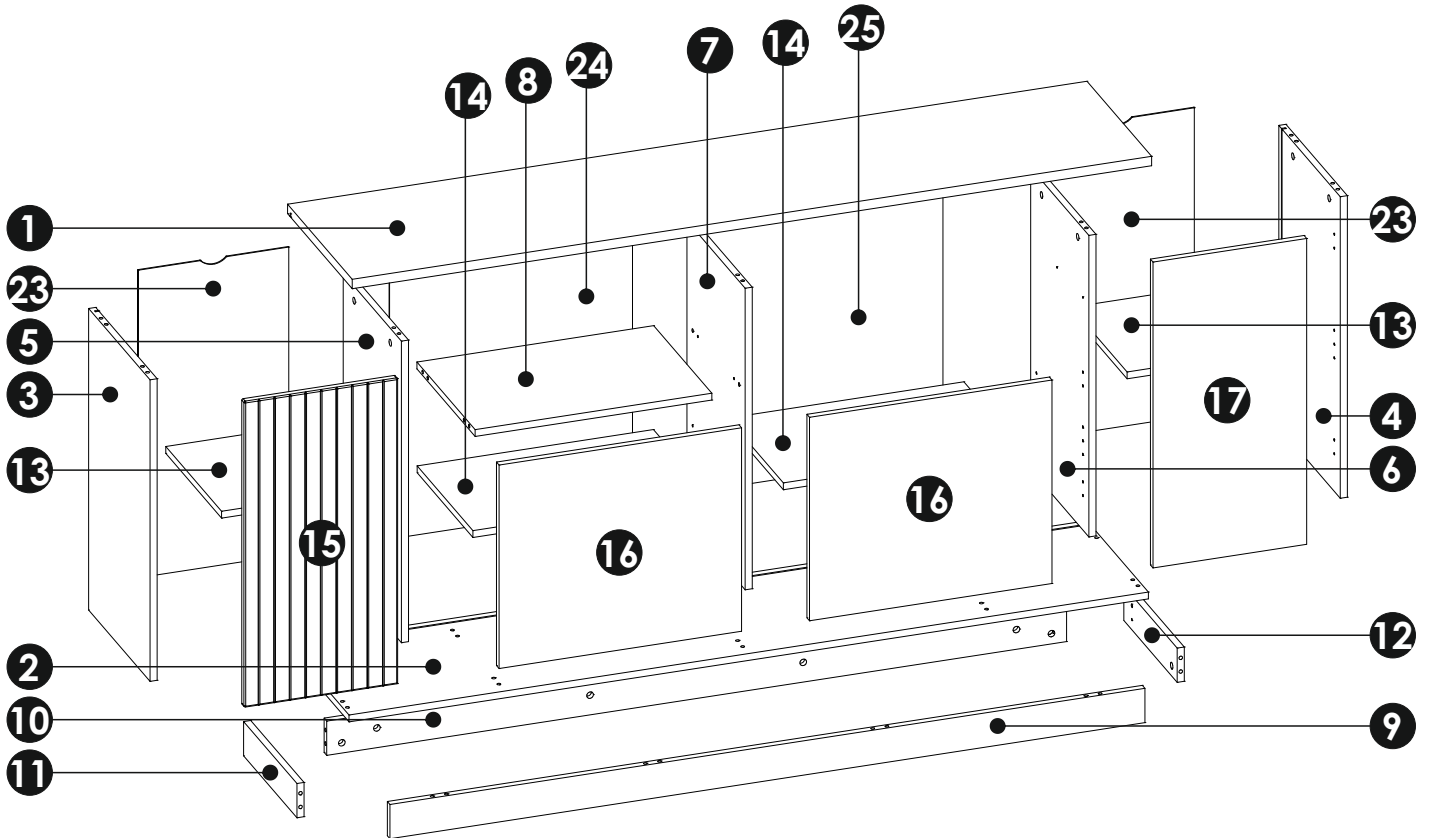
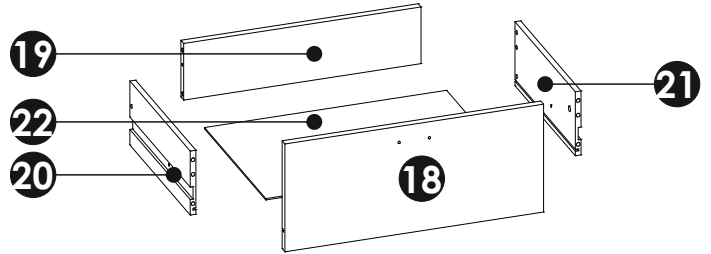
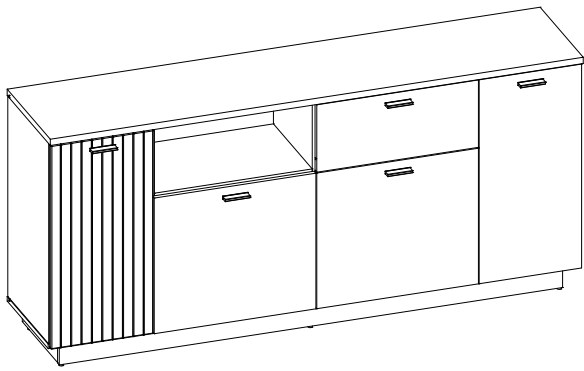


OK



|            |             |           |                |            |                |           |               |
|------------|-------------|-----------|----------------|------------|----------------|-----------|---------------|
| <b>A1</b>  | 8 x 35 mm   | x40       | <b>B0 + B1</b> | x4         | <b>B0 + B2</b> | x4        |               |
| <b>C2</b>  | 5 x 13 mm   | x20       | <b>D2</b>      | x16        | <b>E0</b>      | Ø16 x10   |               |
| <b>E1</b>  | 15 x 12 mm  | x26       | <b>E3</b>      | 12 x 10 mm | 22             | <b>F1</b> | 6 x 34 mm x28 |
| <b>G1</b>  | 7 x 50 mm   | x12       | <b>H1</b>      | L - 84 mm  | x5             | <b>I2</b> | 4 x 16 mm x2  |
| <b>I5</b>  | 3,5 x 27 mm | x10       | <b>K1</b>      | 4 x 9 mm   | x2             | <b>M</b>  | x1            |
| <b>N1</b>  | 3 x 16 mm   | x20       | <b>O2</b>      | x6         | <b>P0</b>      | x8        |               |
| <b>P15</b> | x1          | <b>Q9</b> | x2             | <b>R1</b>  | x12            |           |               |
| <b>R4</b>  | x12         | <b>R8</b> | x10            | <b>S13</b> | x2             | Ø8        |               |
| <b>T1</b>  | 27/251 mm   | x2        | <b>Z</b>       | x1         |                |           |               |

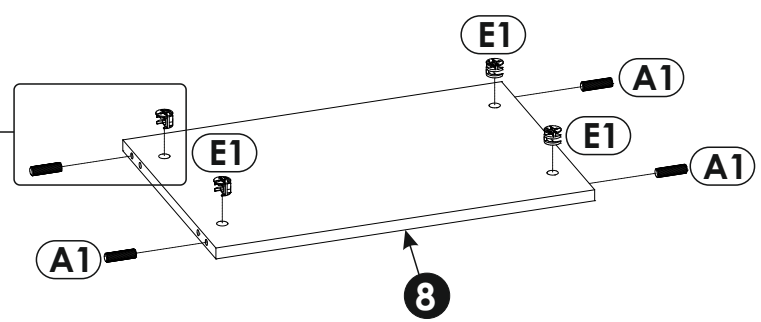
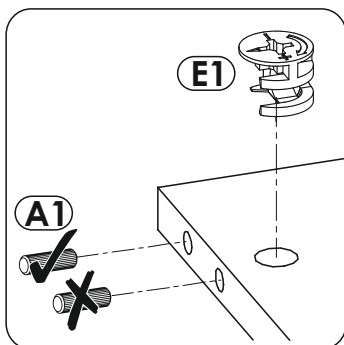
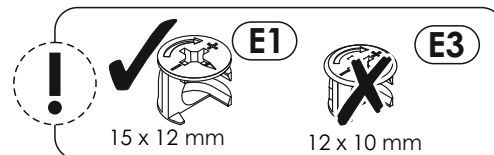
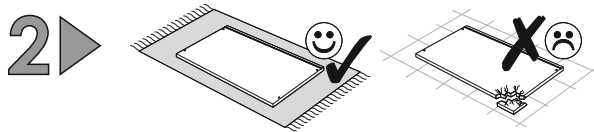
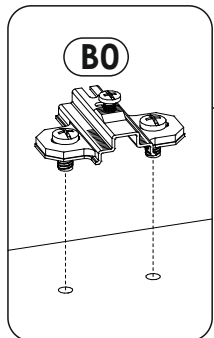
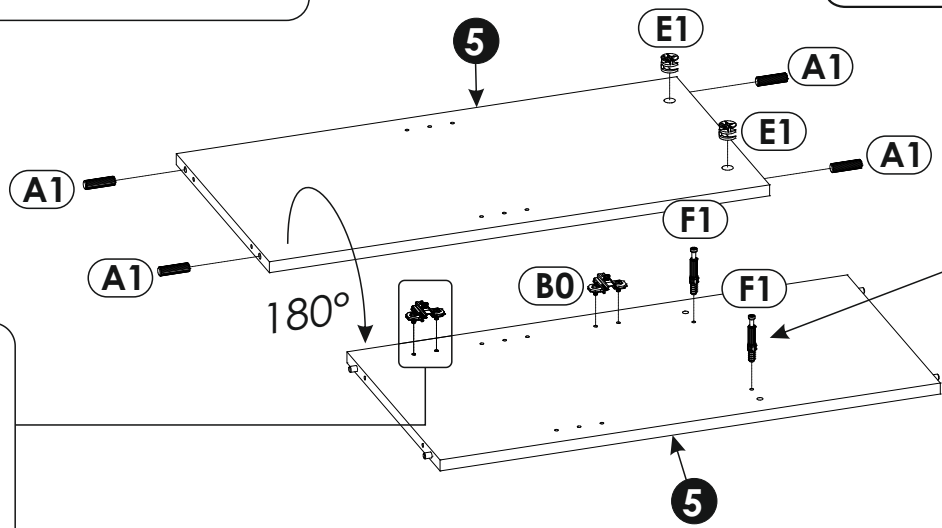
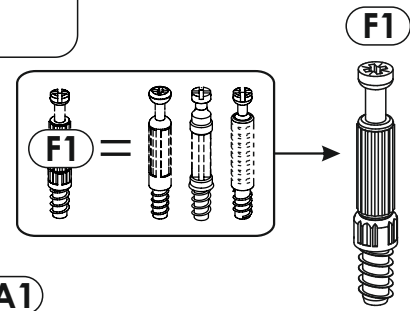
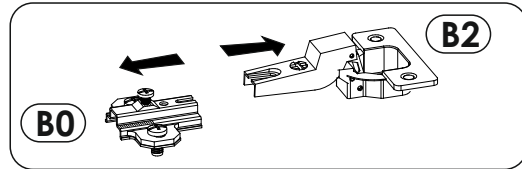
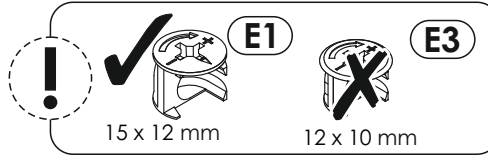
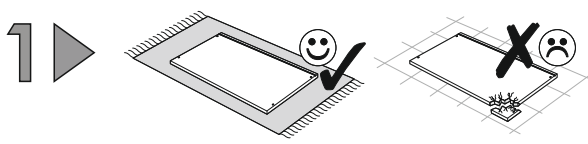
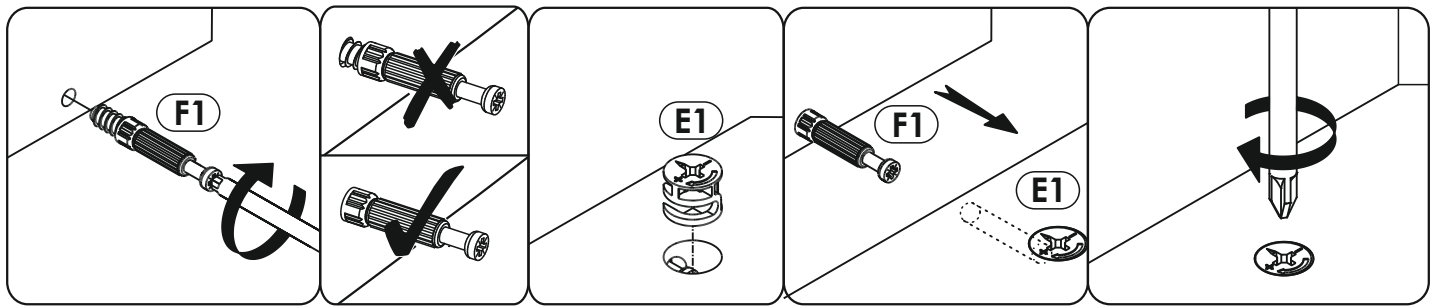


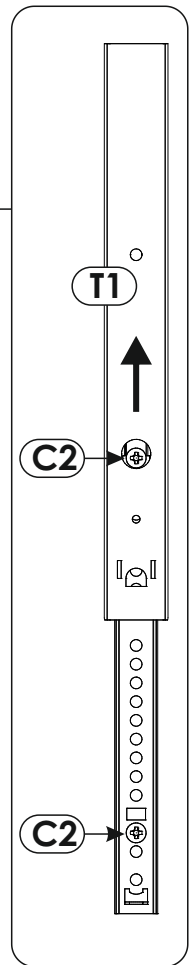
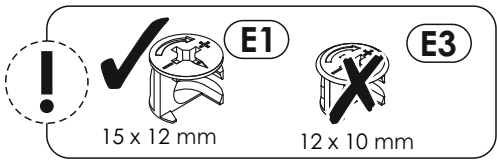
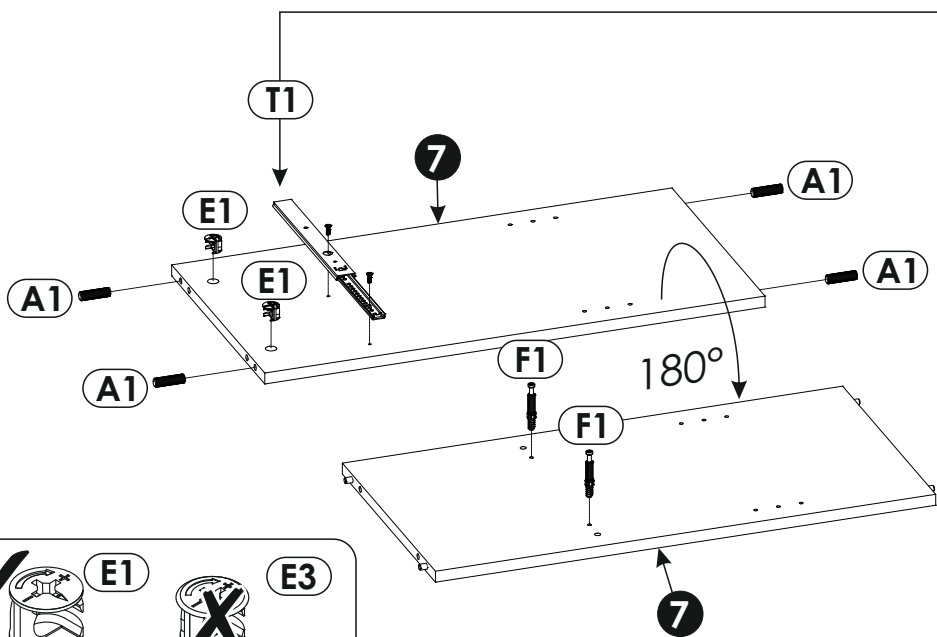
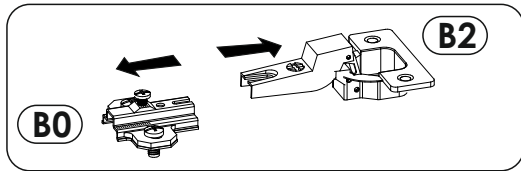
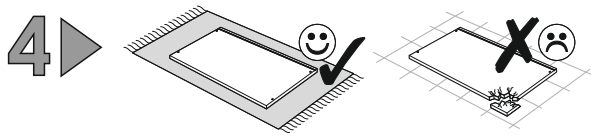
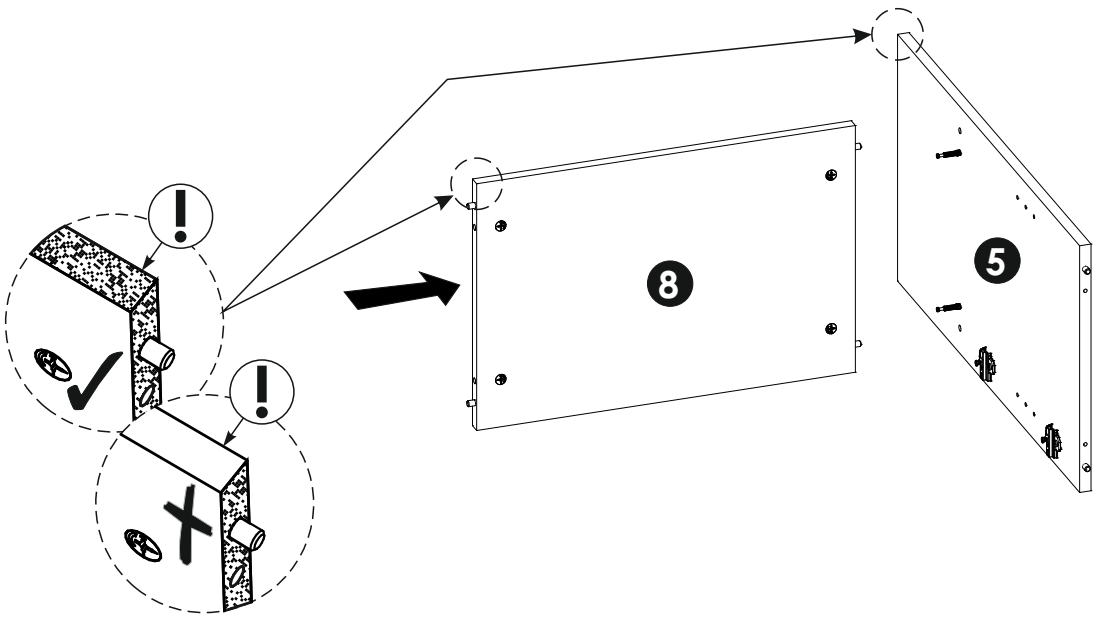
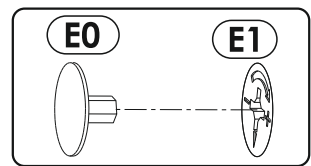
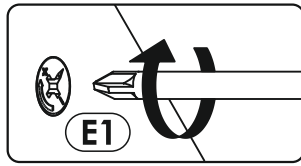
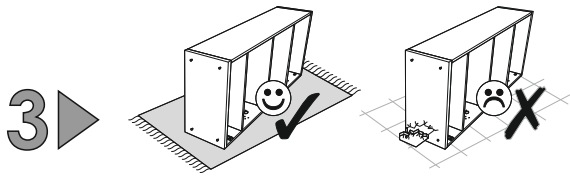


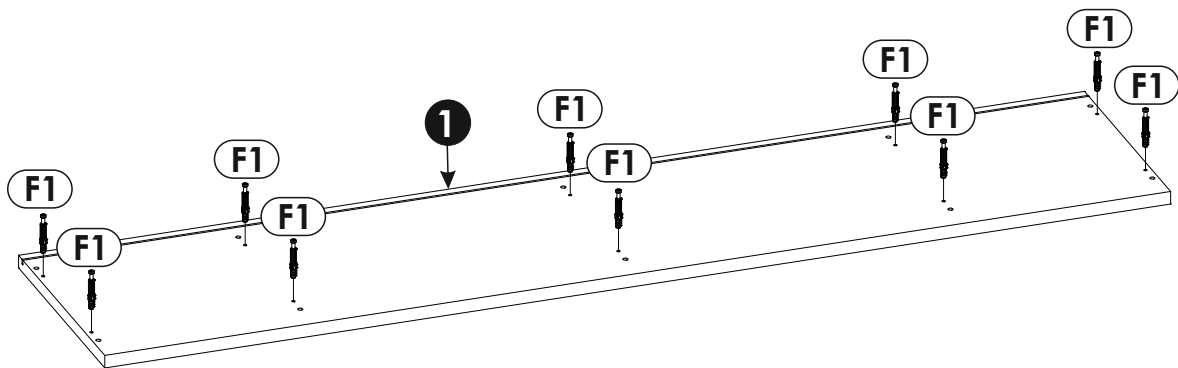
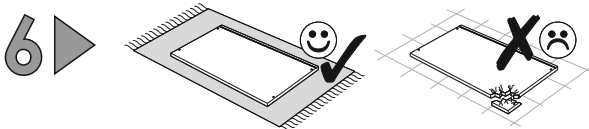
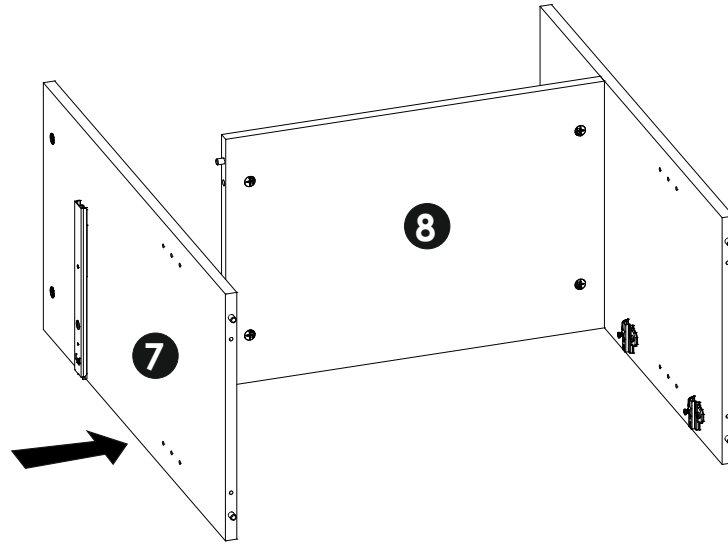
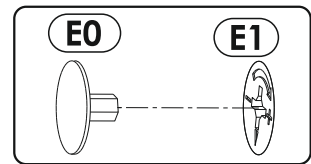
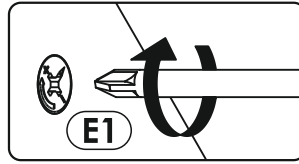
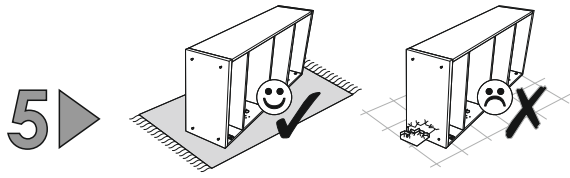
|          |      |     |    |    |     |
|----------|------|-----|----|----|-----|
| <b>1</b> | 1800 | 400 | 22 | x1 | 2/2 |
| <b>2</b> | 1798 | 380 | 16 | x1 | 2/2 |
| <b>3</b> | 704  | 380 | 16 | x1 | 2/2 |
| <b>4</b> | 704  | 380 | 16 | x1 | 2/2 |
| <b>5</b> | 704  | 360 | 16 | x1 | 1/2 |
| <b>6</b> | 704  | 360 | 16 | x1 | 1/2 |
| <b>7</b> | 704  | 360 | 16 | x1 | 1/2 |
| <b>8</b> | 533  | 360 | 16 | x1 | 1/2 |

|           |      |     |    |    |     |
|-----------|------|-----|----|----|-----|
| <b>9</b>  | 1700 | 80  | 16 | x1 | 2/2 |
| <b>10</b> | 1666 | 80  | 16 | x1 | 2/2 |
| <b>11</b> | 330  | 80  | 16 | x1 | 2/2 |
| <b>12</b> | 330  | 80  | 16 | x1 | 2/2 |
| <b>13</b> | 324  | 345 | 16 | x2 | 1/2 |
| <b>14</b> | 532  | 345 | 16 | x2 | 1/2 |
| <b>15</b> | 714  | 346 | 16 | x1 | 1/2 |
| <b>16</b> | 475  | 546 | 16 | x2 | 1/2 |

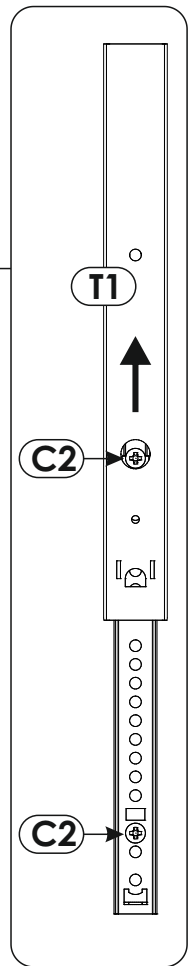
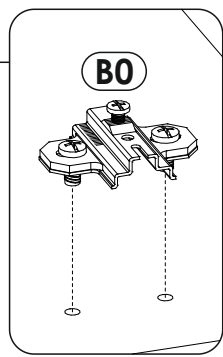
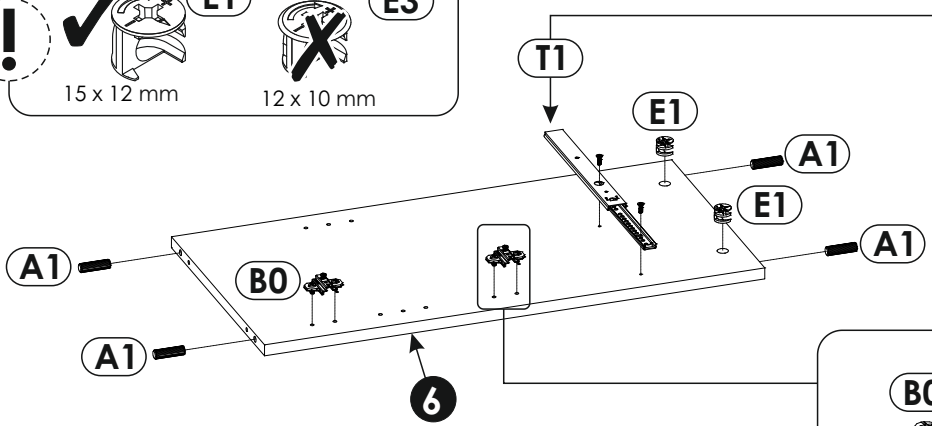
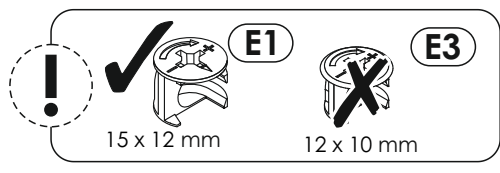
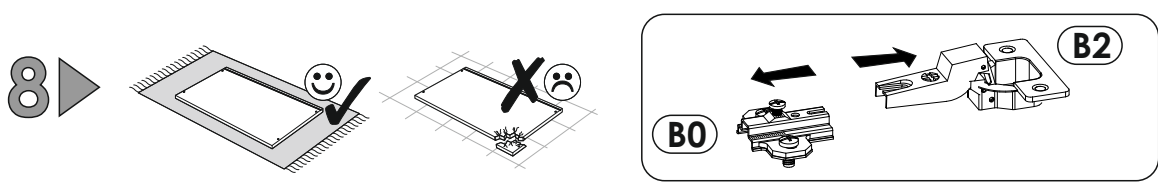
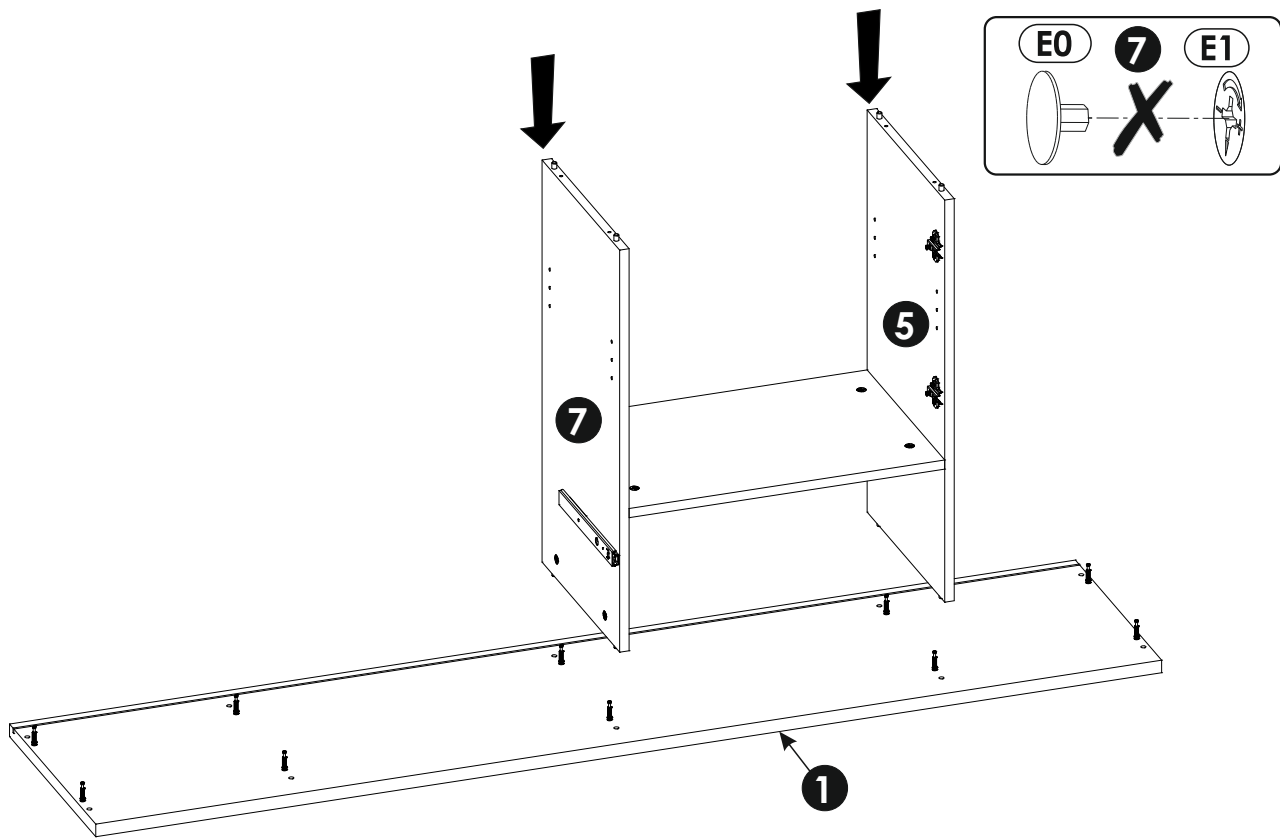
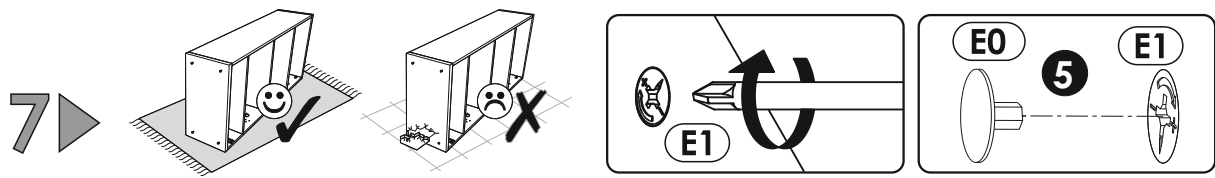
|           |     |     |    |    |     |
|-----------|-----|-----|----|----|-----|
| <b>17</b> | 714 | 346 | 16 | x1 | 1/2 |
| <b>18</b> | 546 | 236 | 16 | x1 | 2/2 |
| <b>19</b> | 501 | 124 | 16 | x1 | 2/2 |
| <b>20</b> | 350 | 140 | 12 | x1 | 1/2 |
| <b>21</b> | 350 | 140 | 12 | x1 | 1/2 |
| <b>22</b> | 511 | 355 | 3  | x1 | 1/2 |
| <b>23</b> | 718 | 339 | 3  | x2 | 2/2 |
| <b>24</b> | 718 | 549 | 3  | x1 | 1/2 |
| <b>25</b> | 718 | 549 | 3  | x1 | 1/2 |

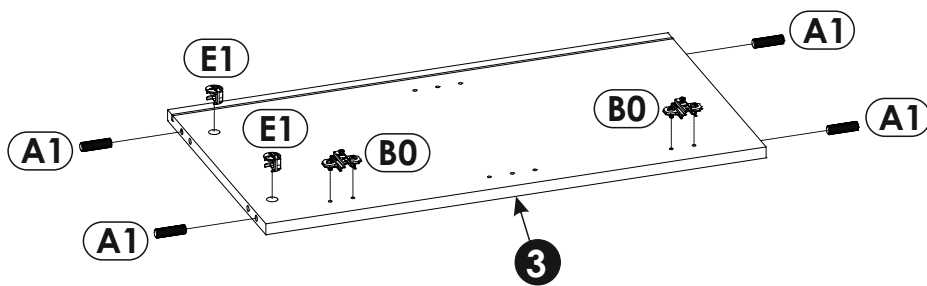
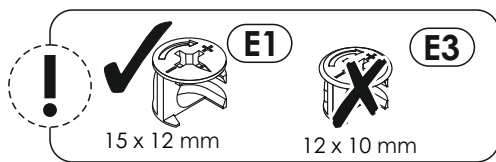
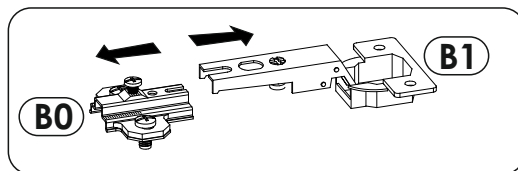
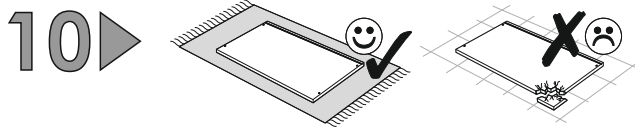
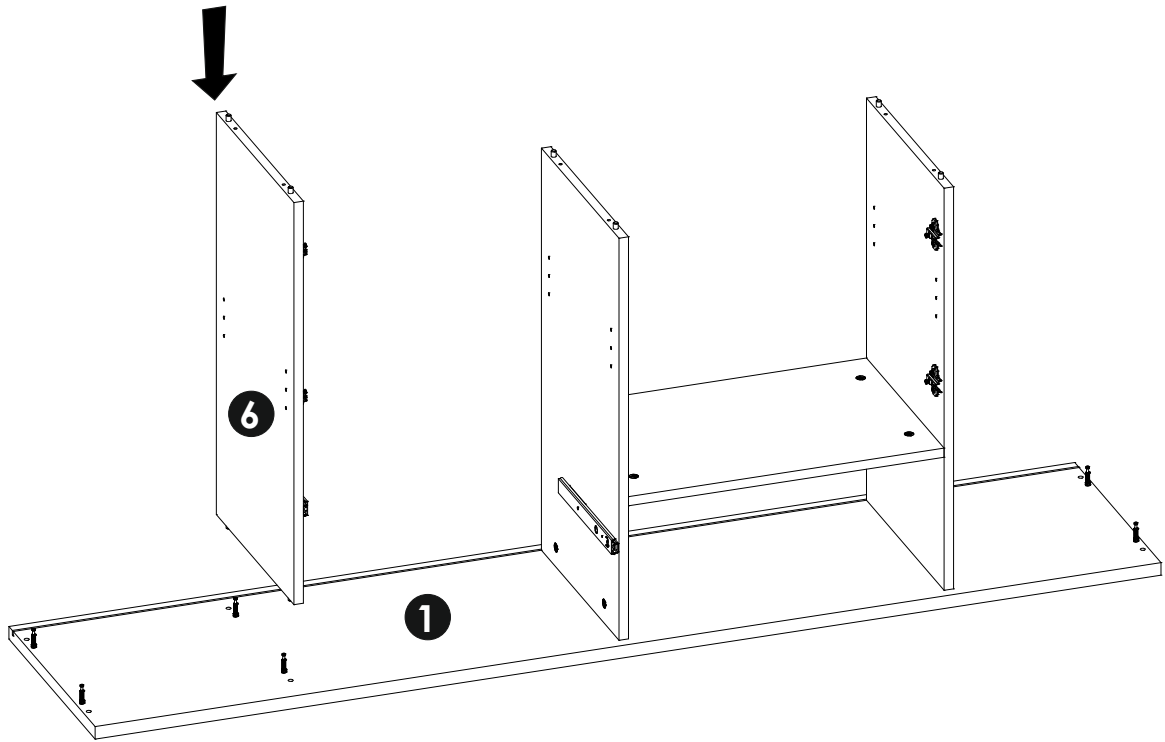
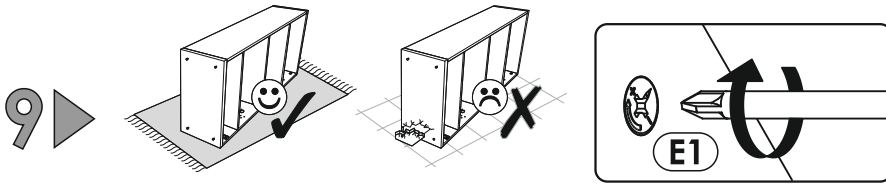




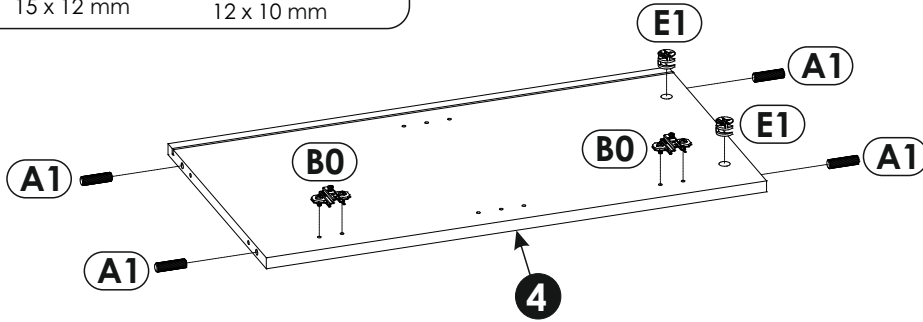
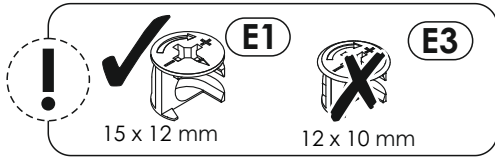
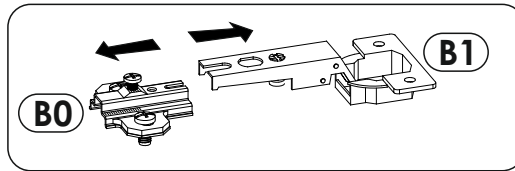
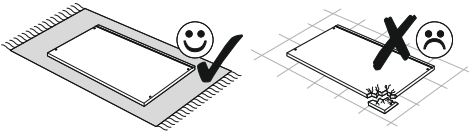




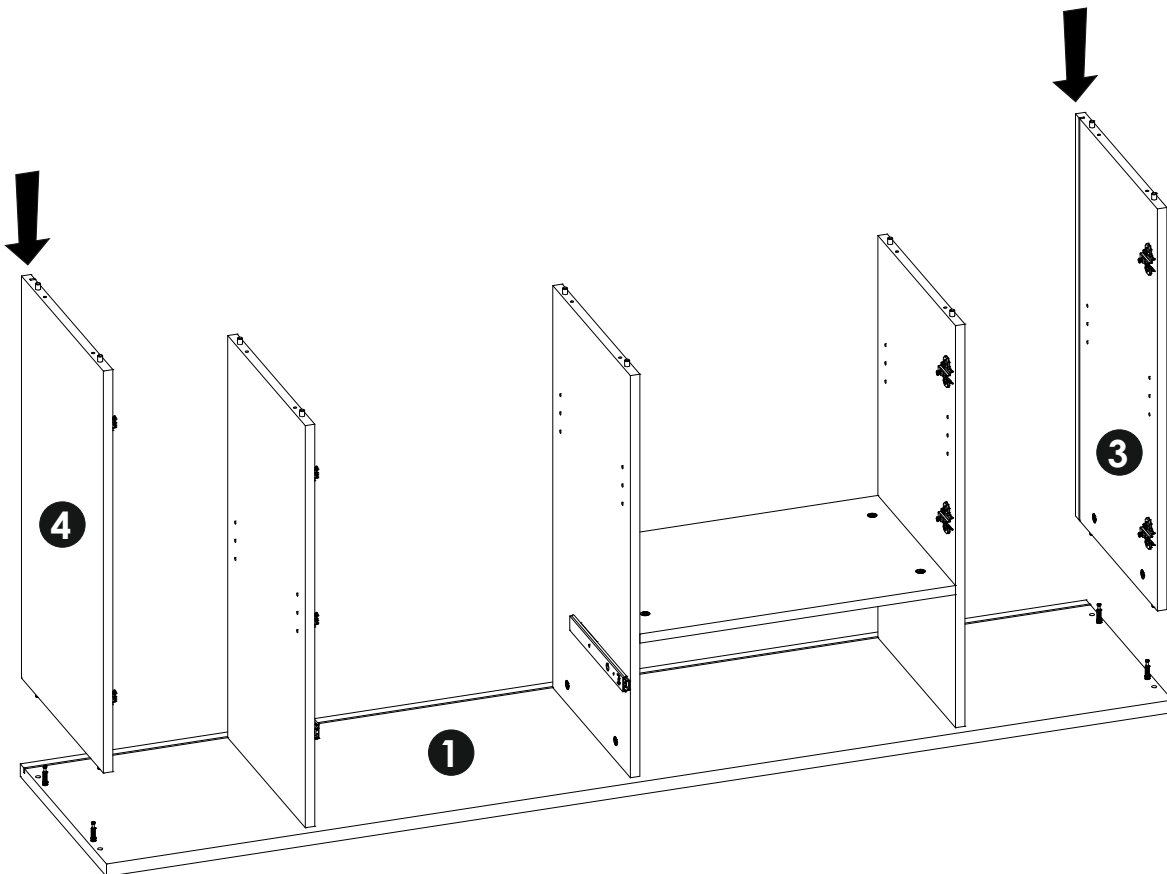
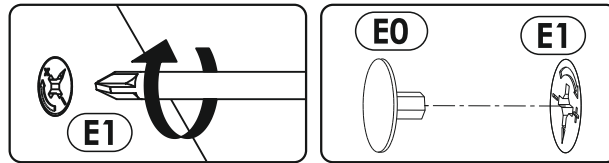
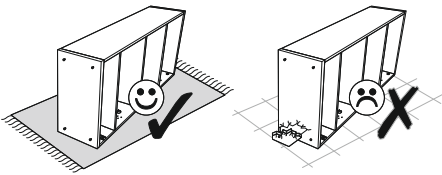




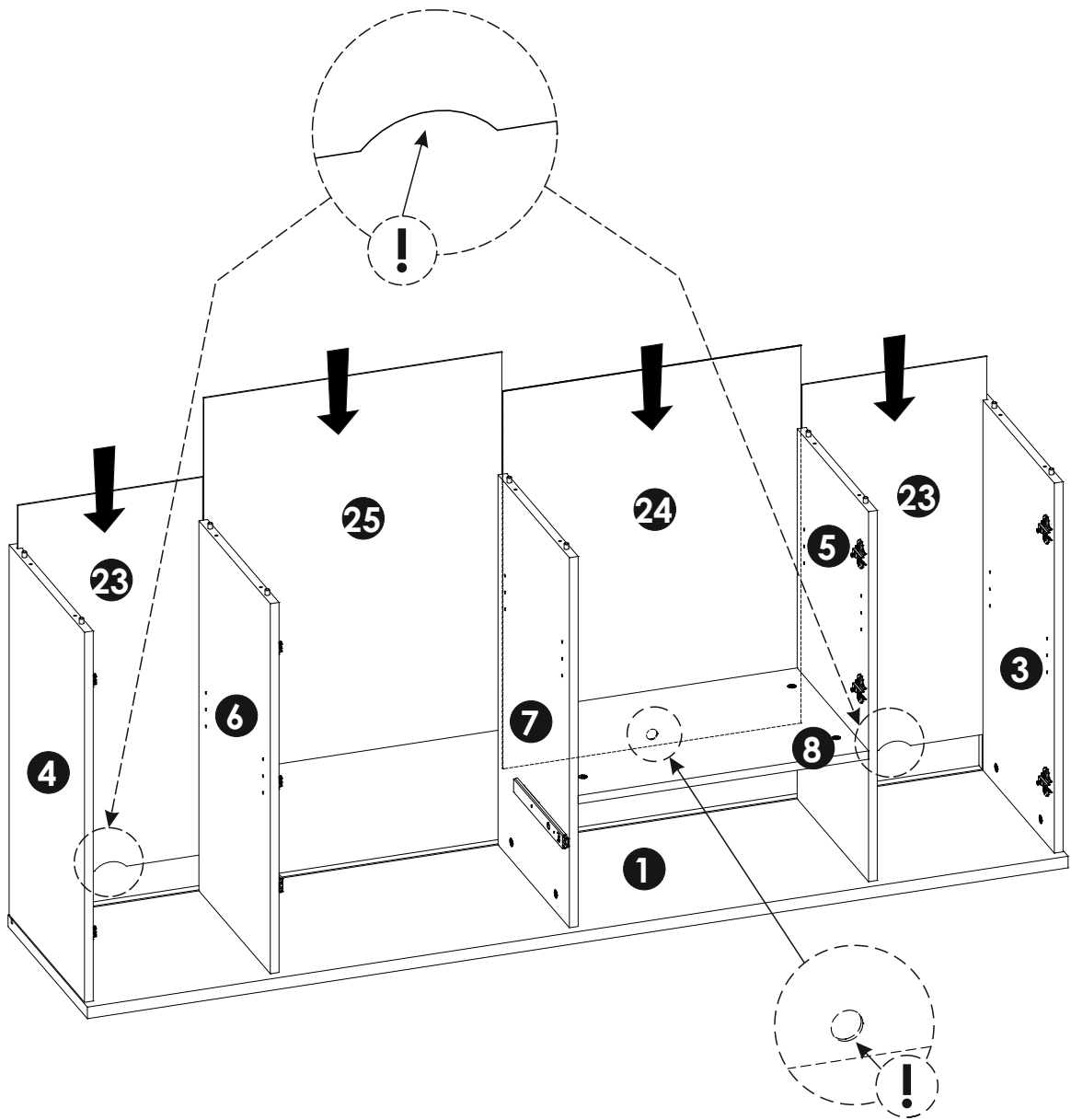
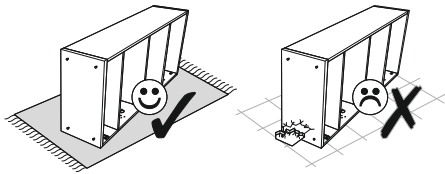
11 ▶



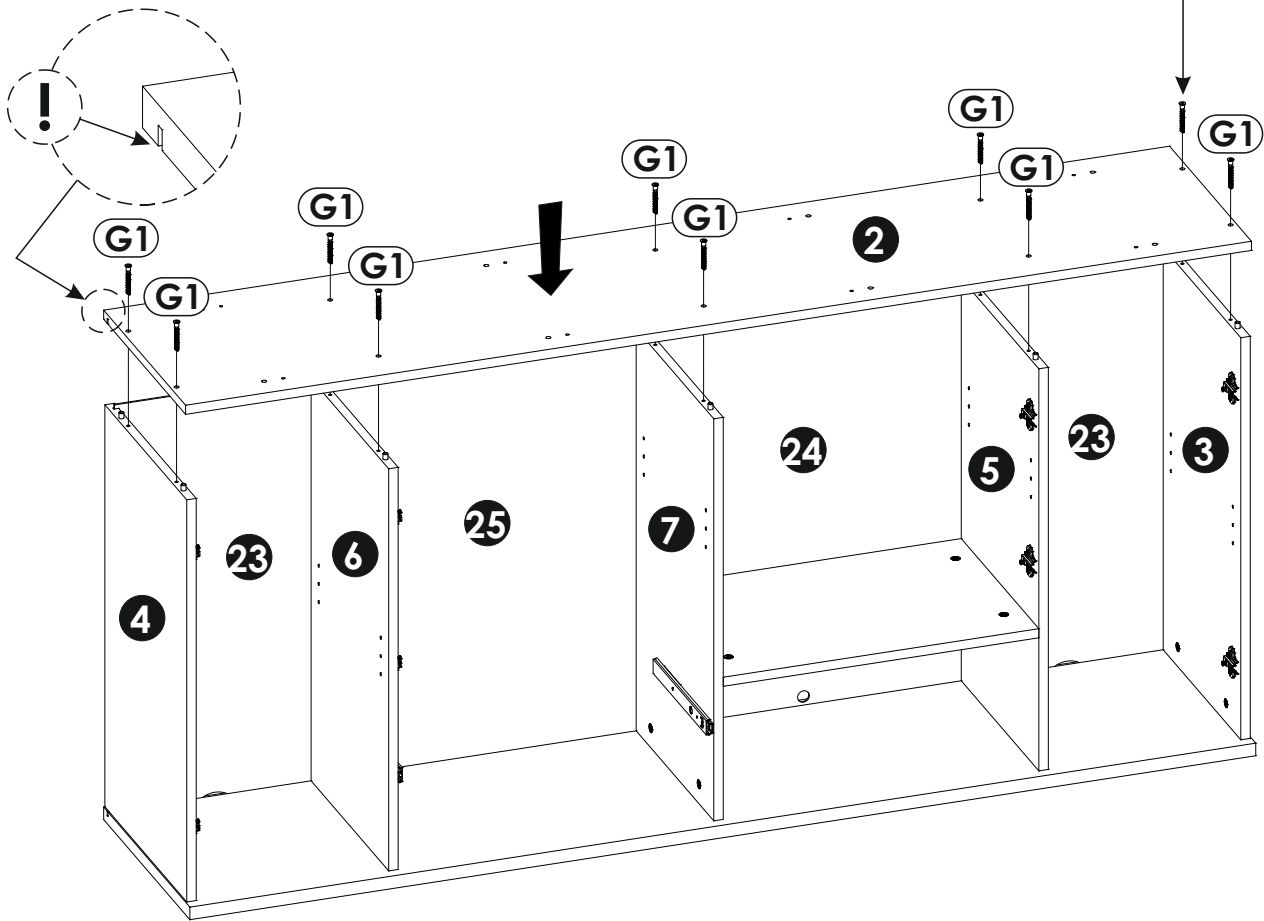
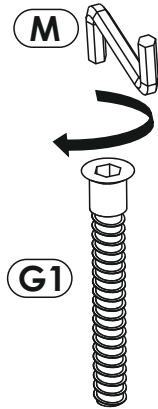
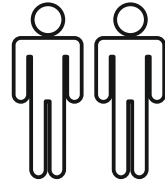
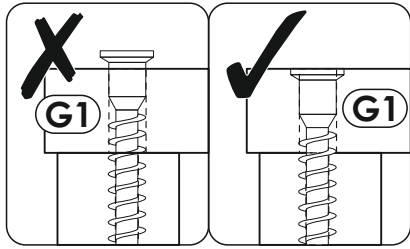
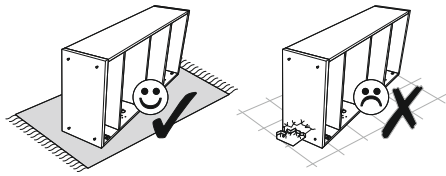
12 ▶

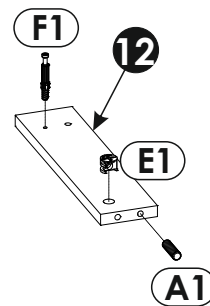
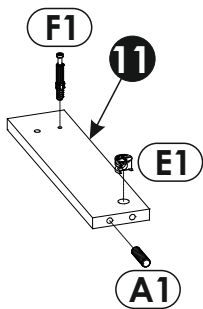
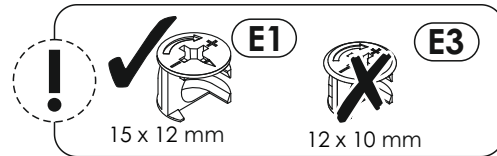
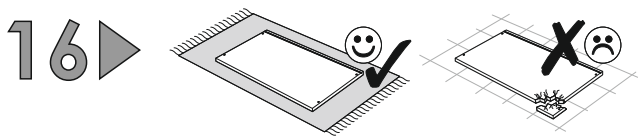
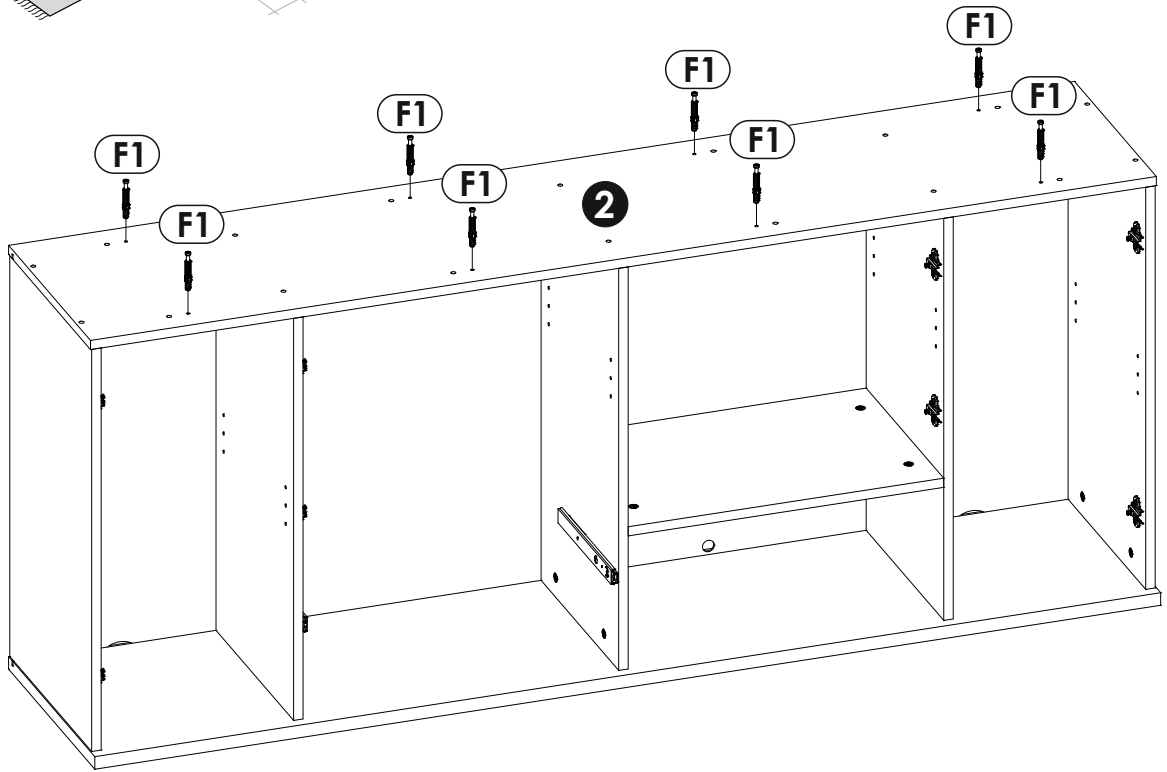
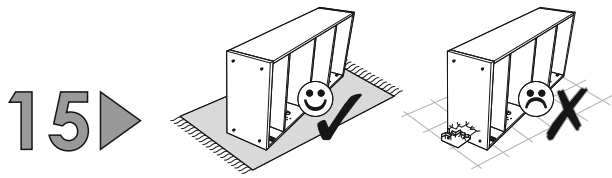


13 ▶

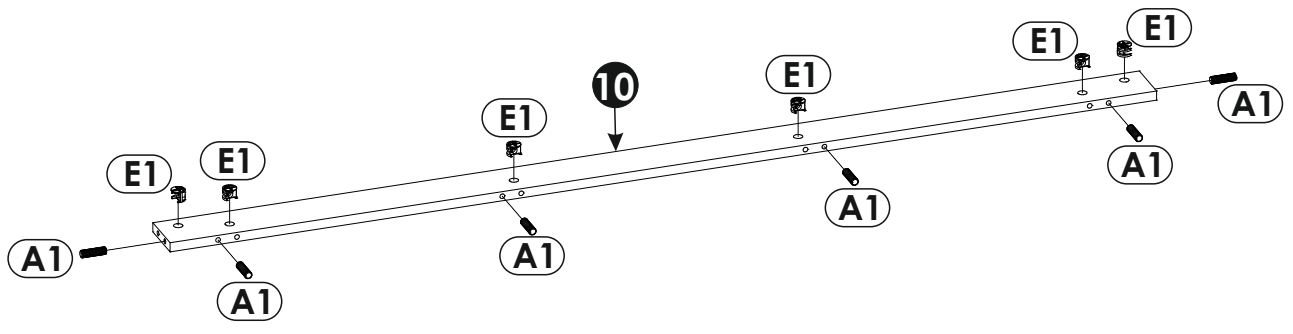
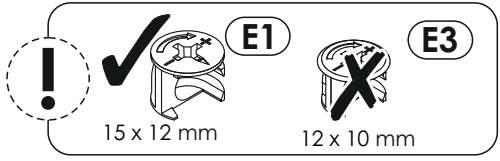
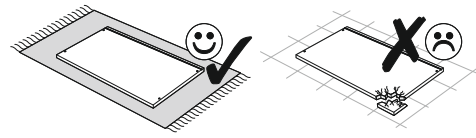


14

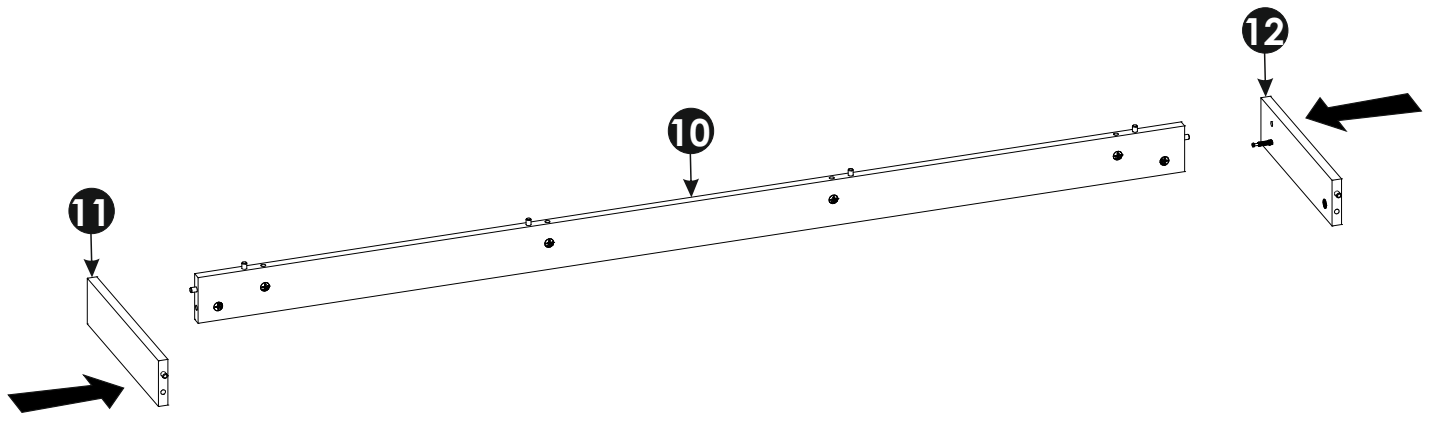
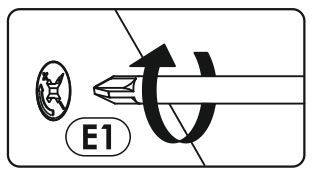
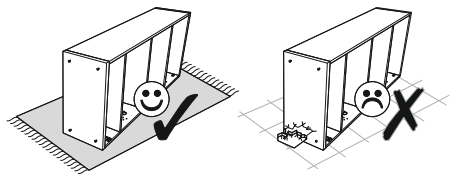




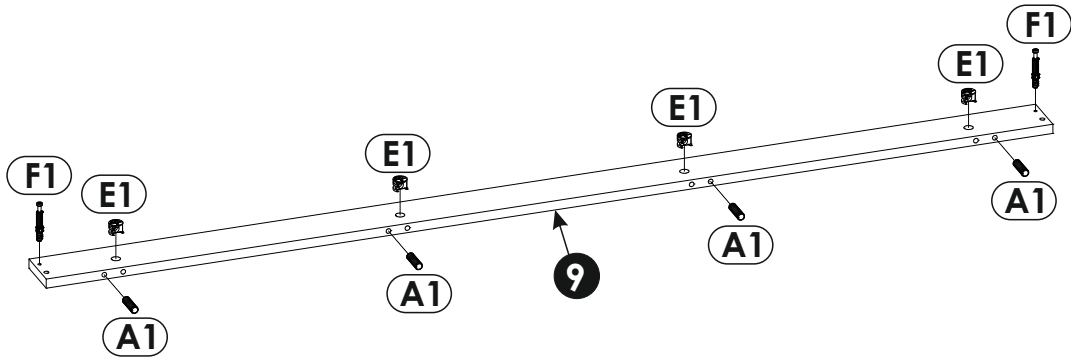
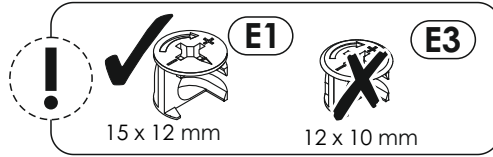
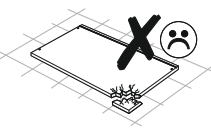
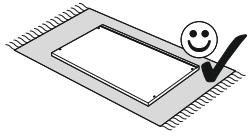
17▶



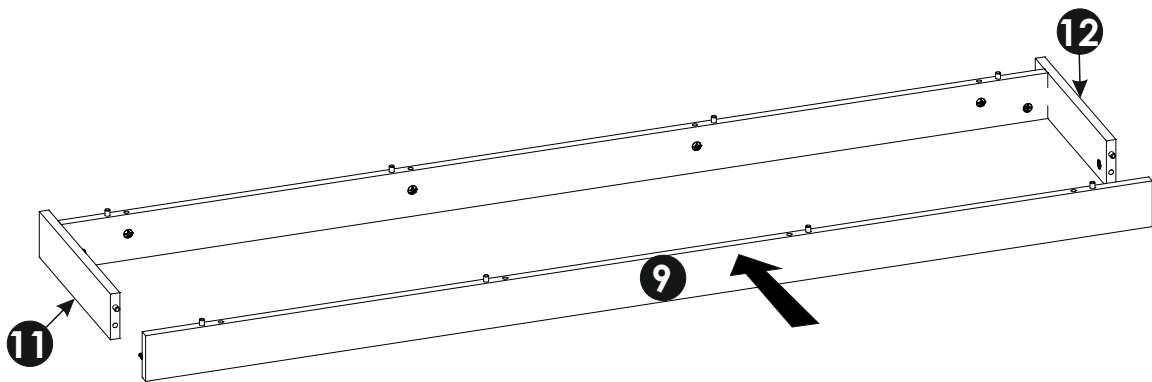
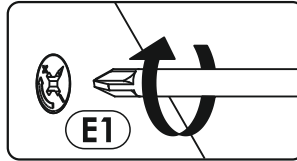
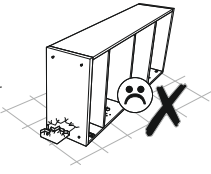
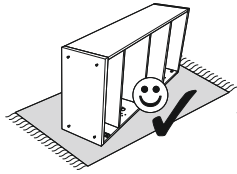
18▶



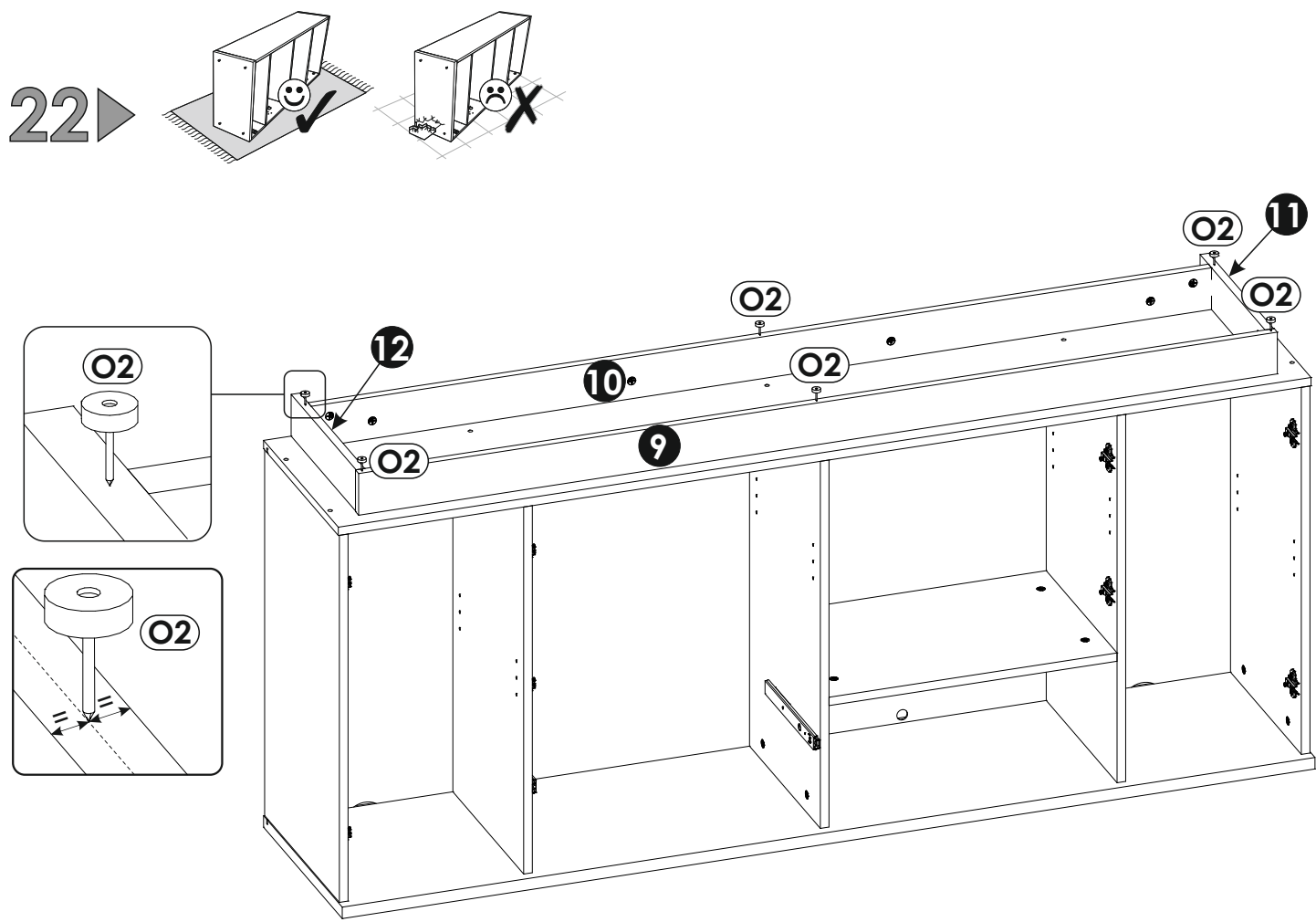
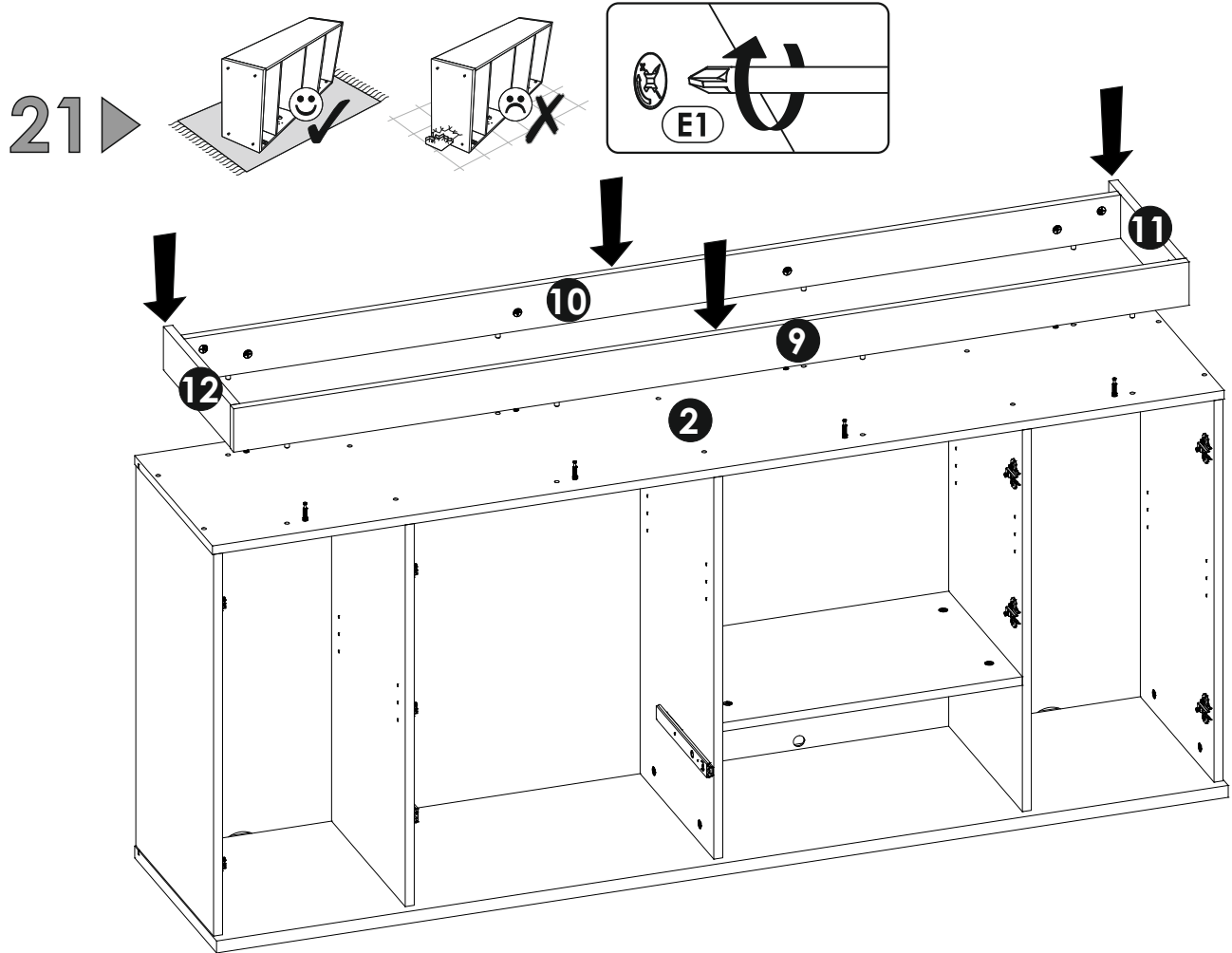
19 ▶



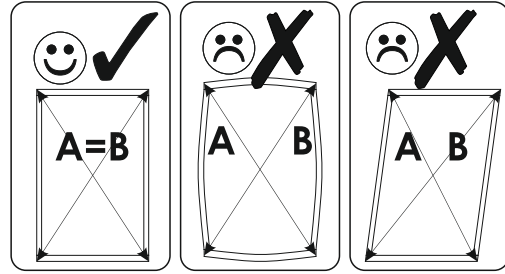
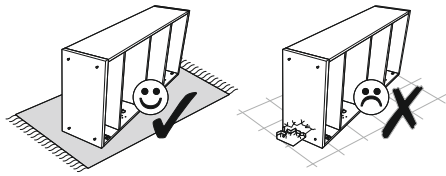
20 ▶



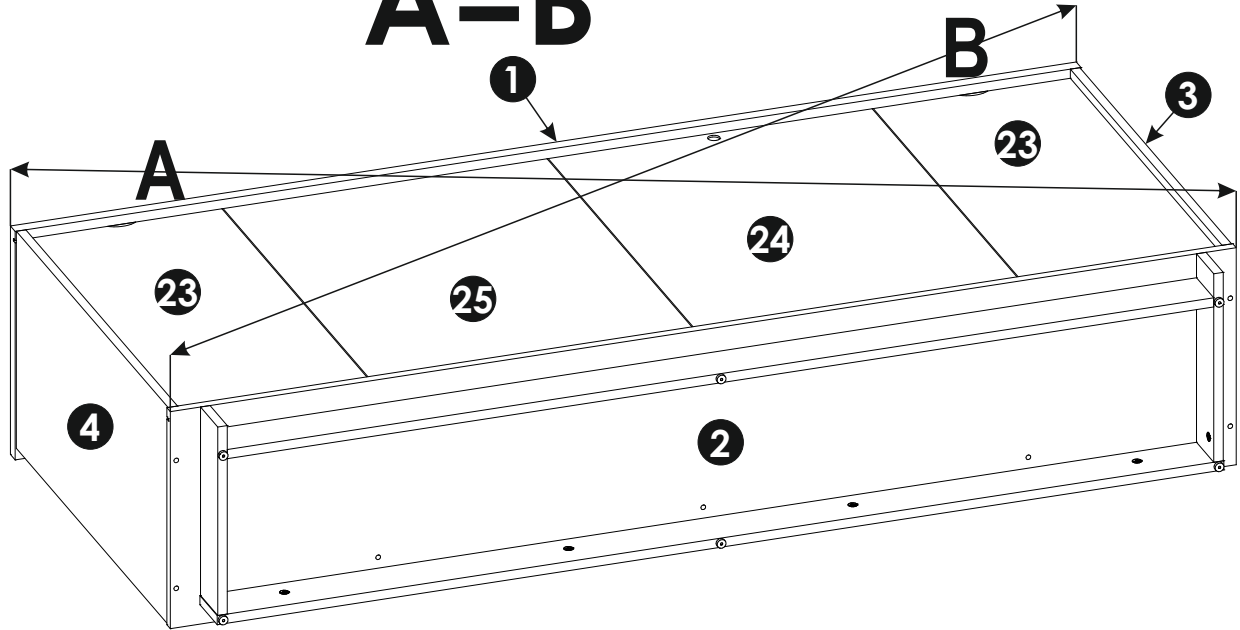




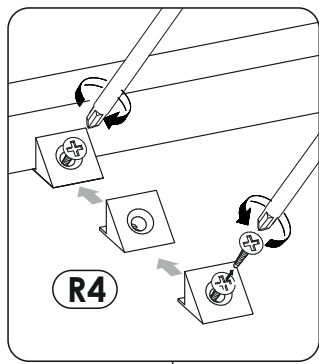
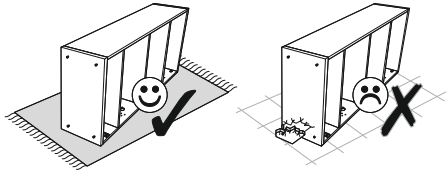
23 ▶



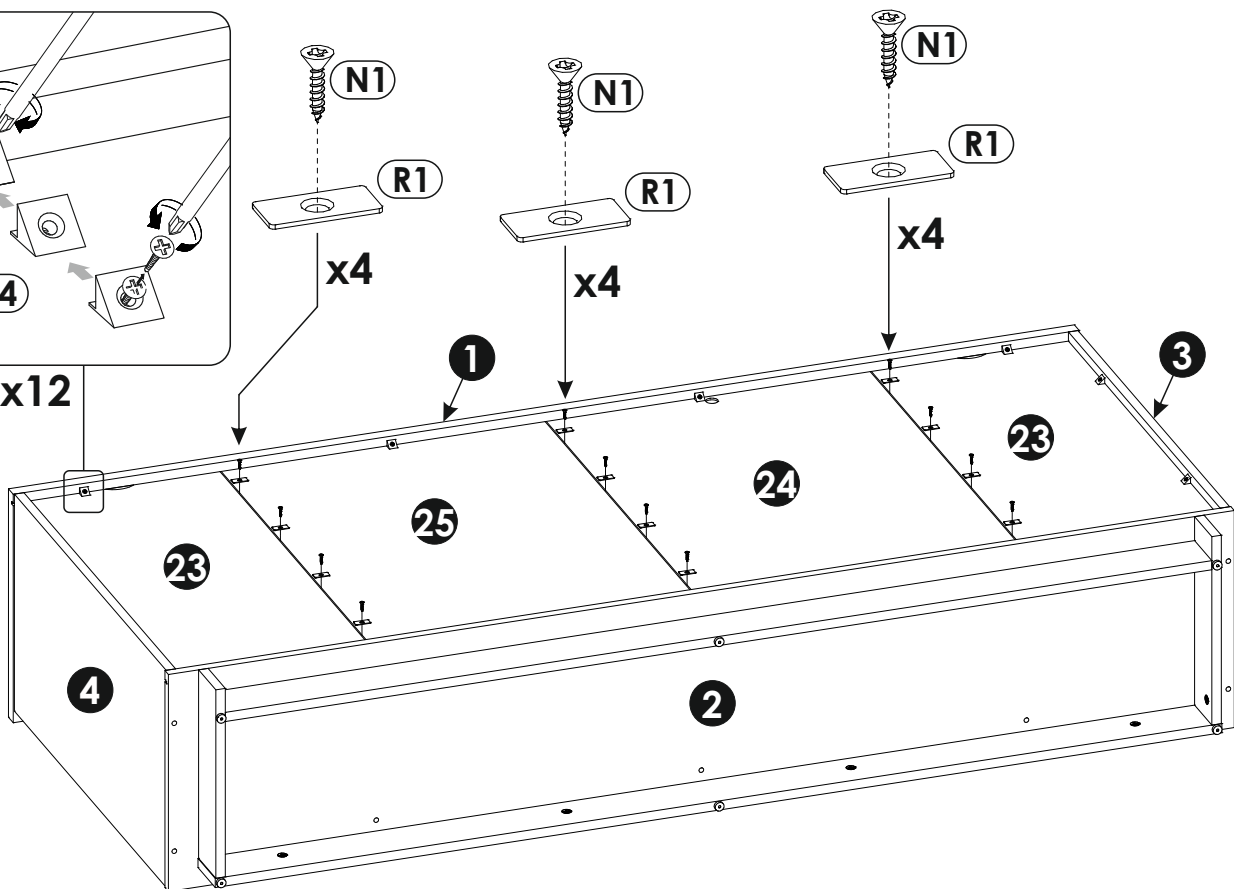
**A=B**



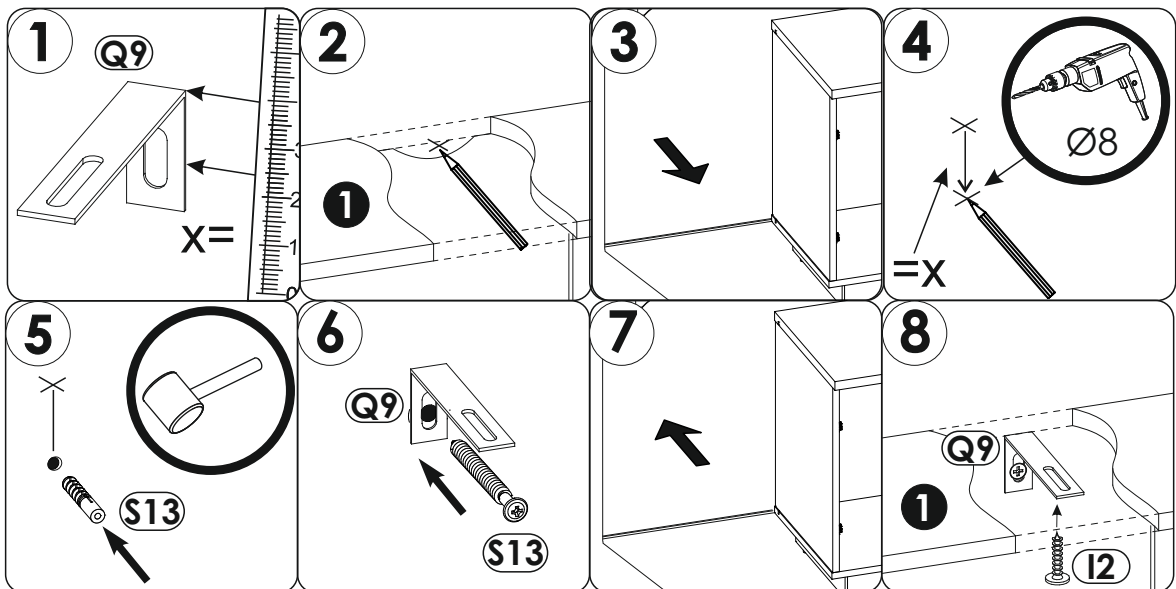
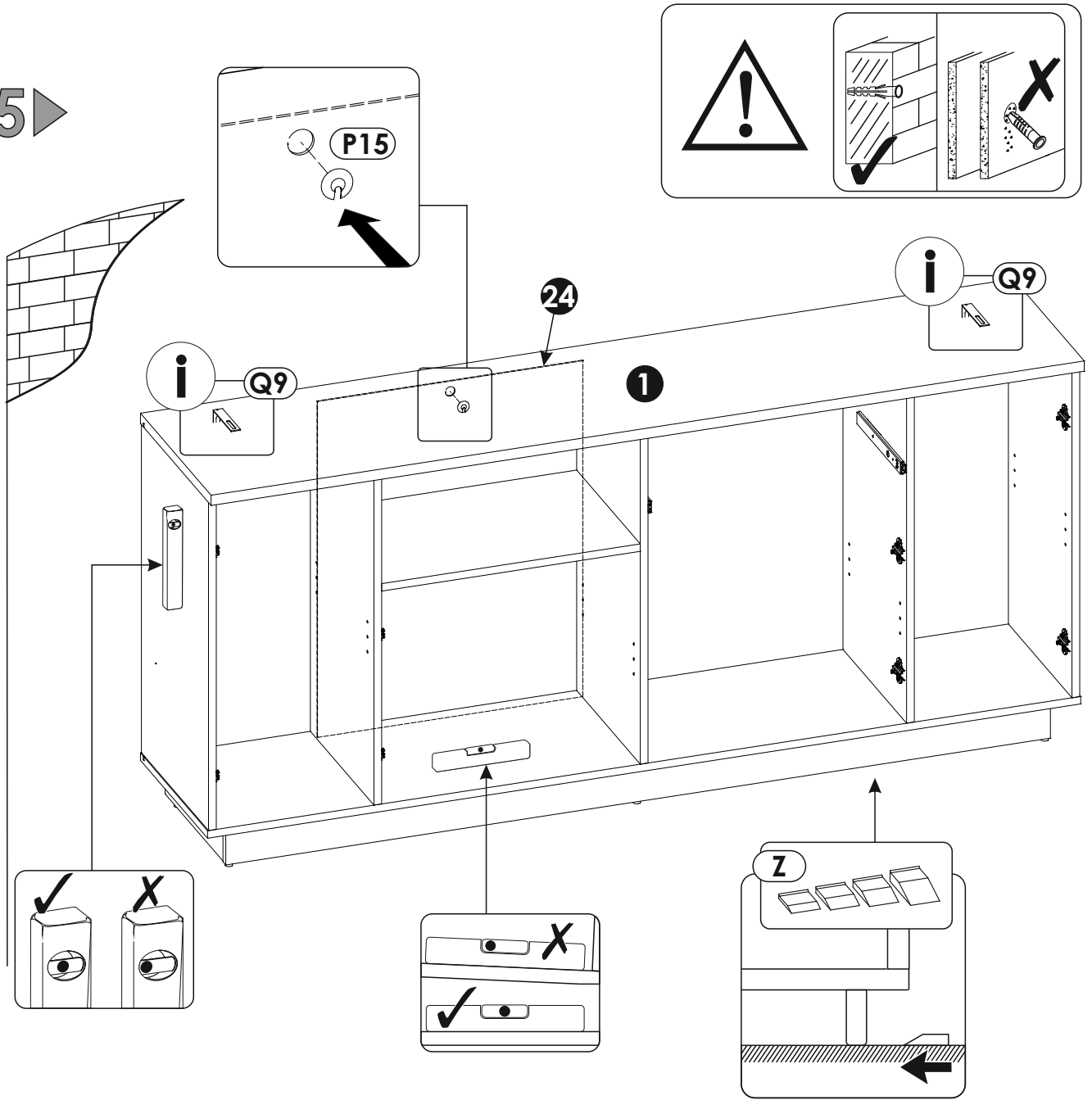
24 ▶



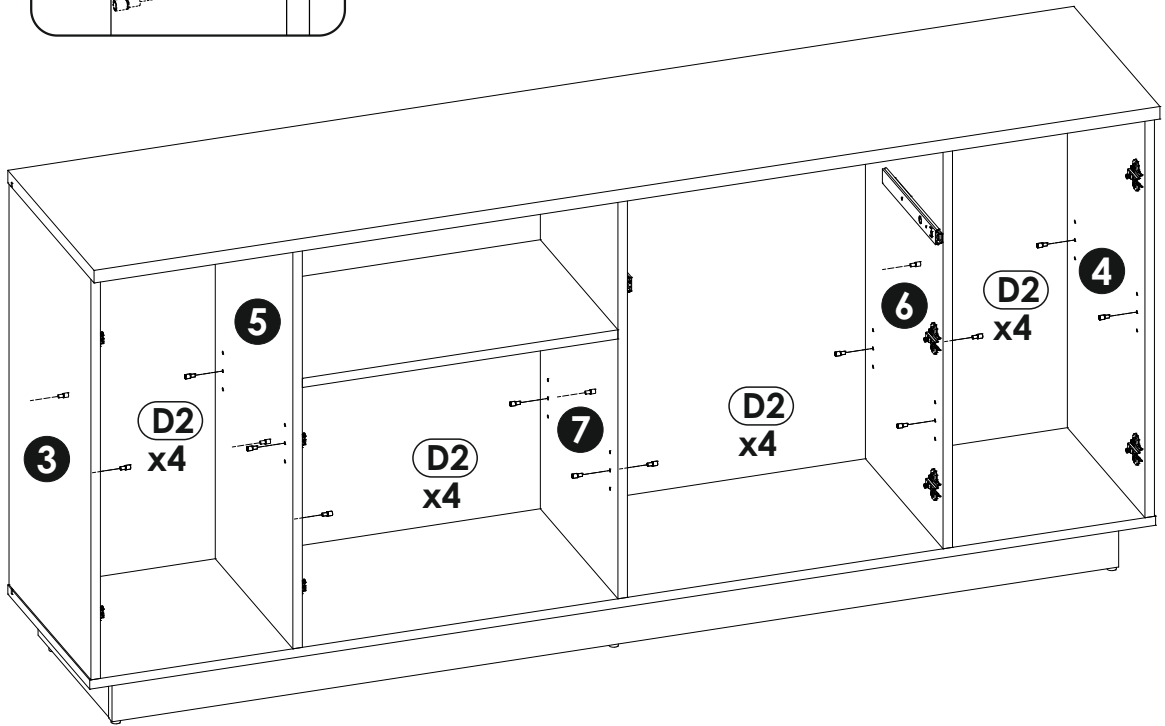
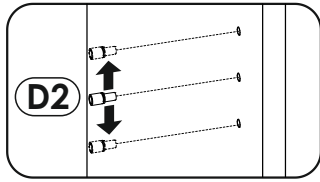
x12



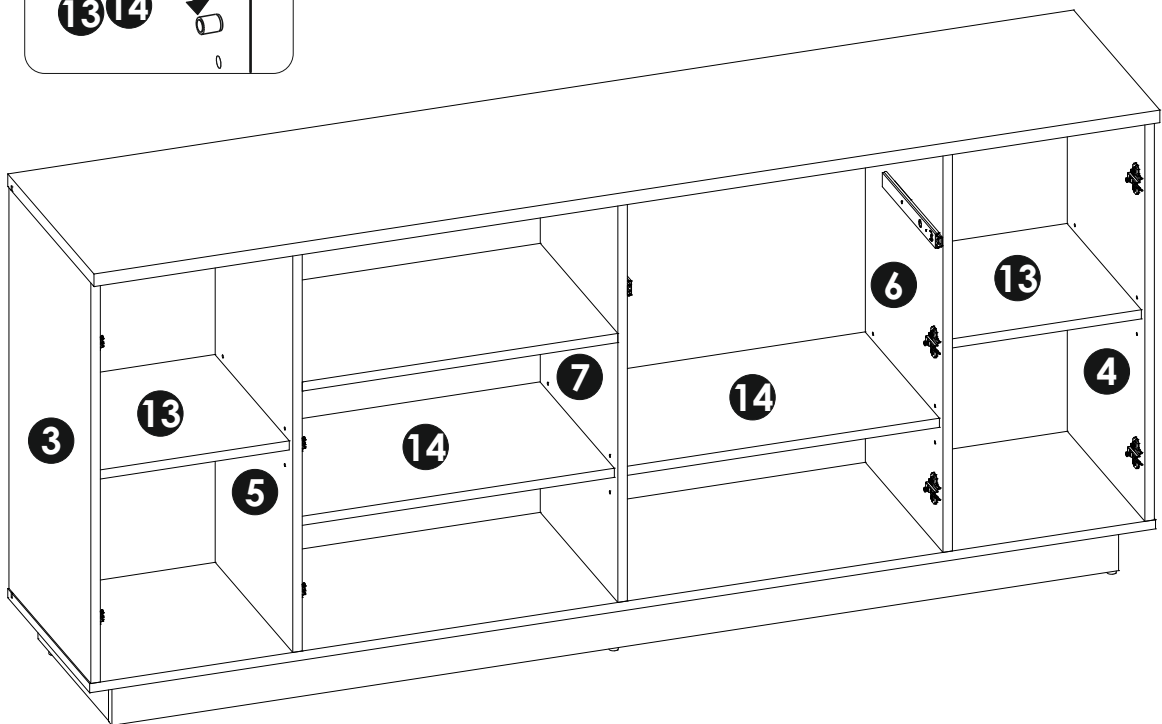
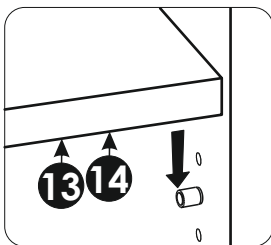
25 ▶



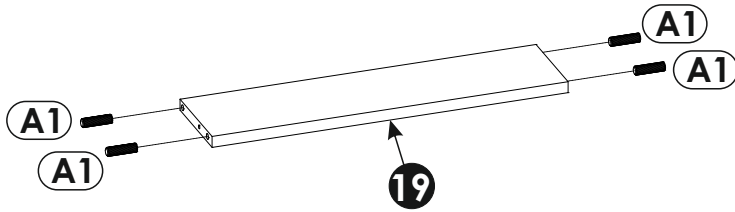
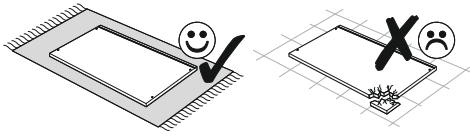
26 ▶



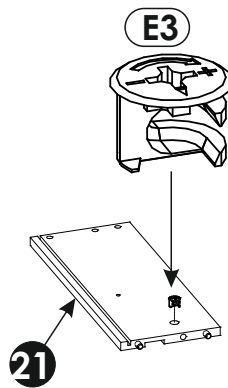
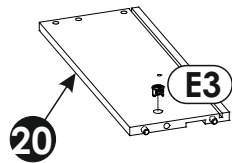
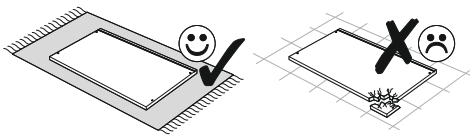
27 ▶



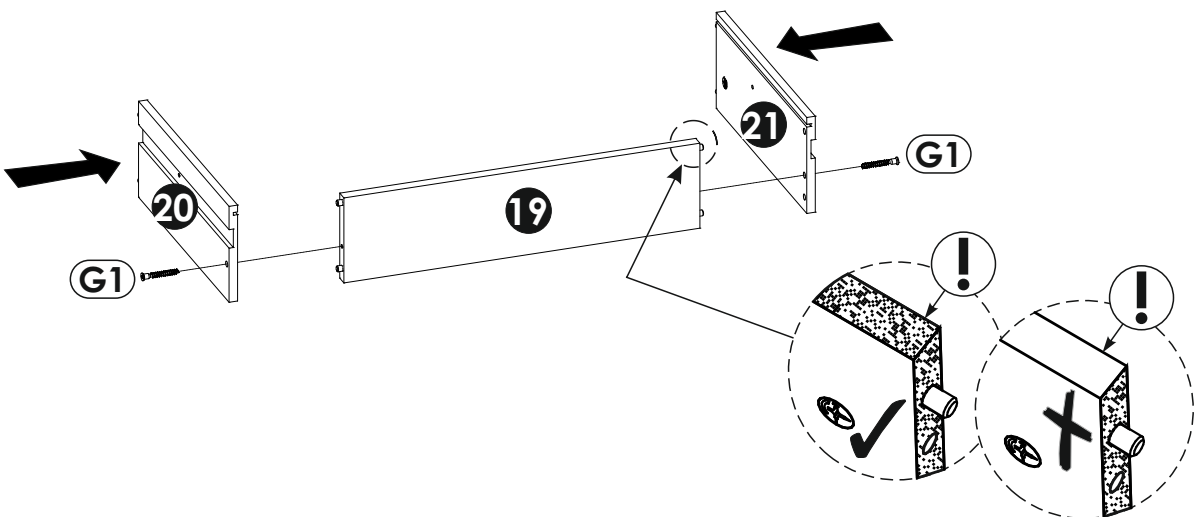
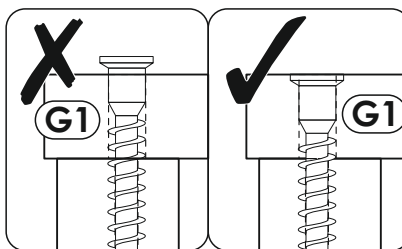
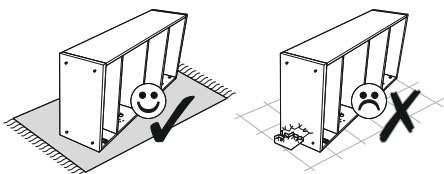
28 ▶

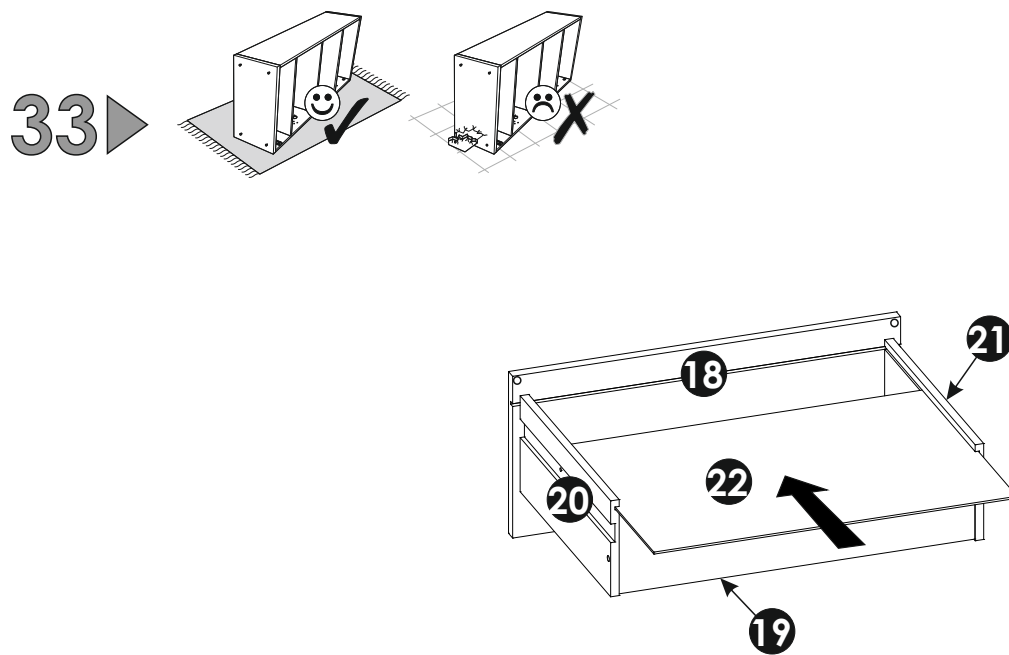
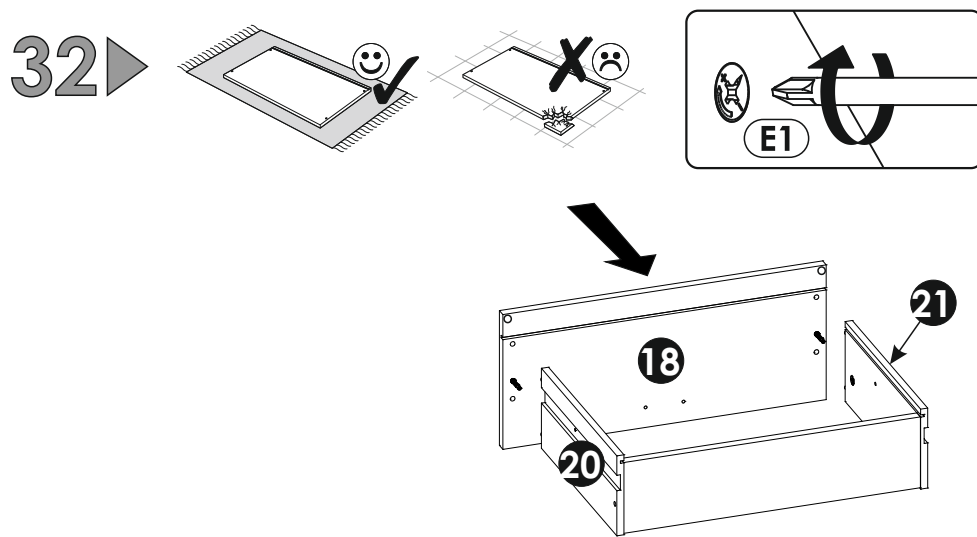
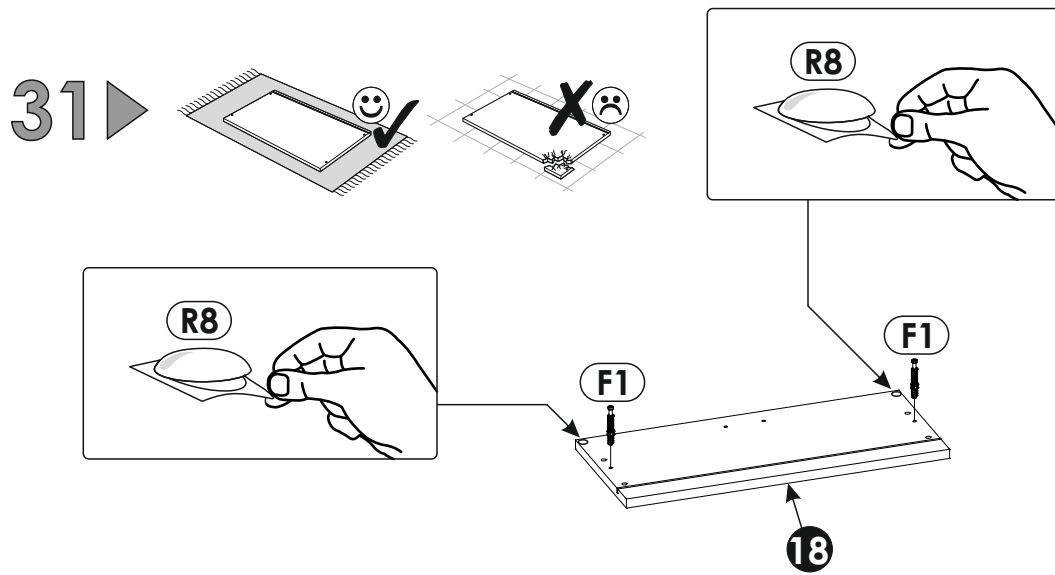


29 ▶

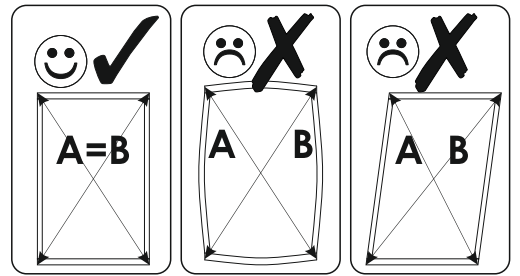
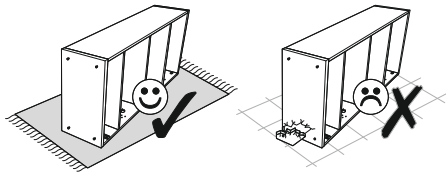


30 ▶

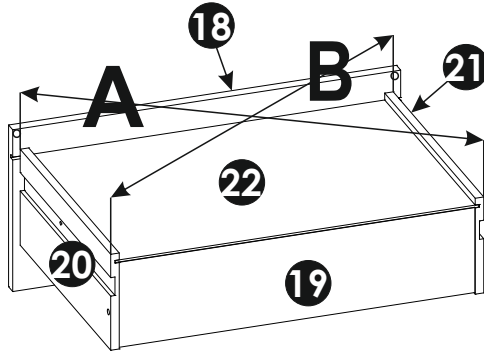




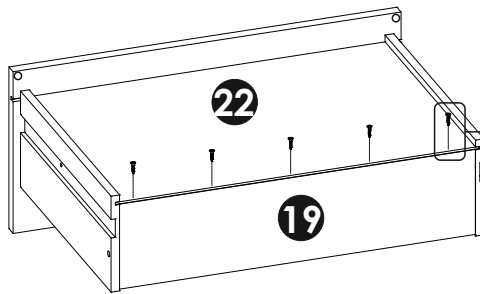
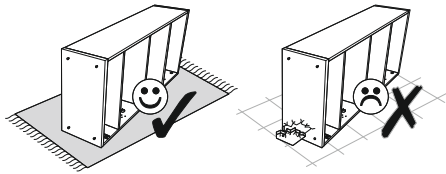
34 ▶



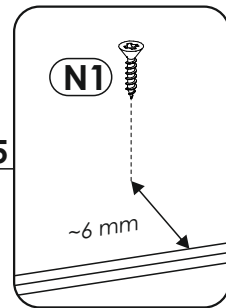
**A=B**



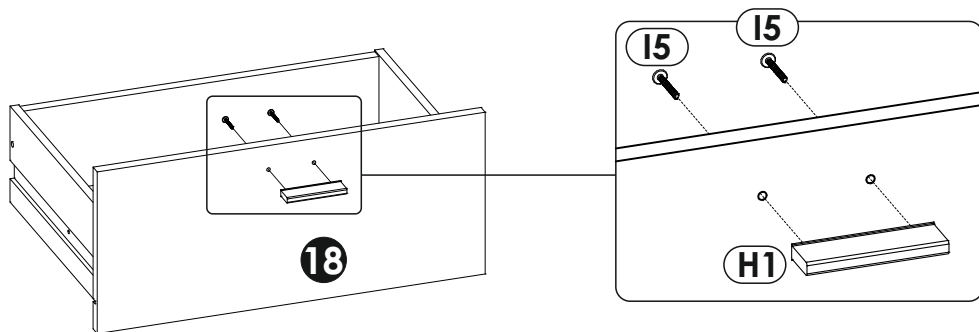
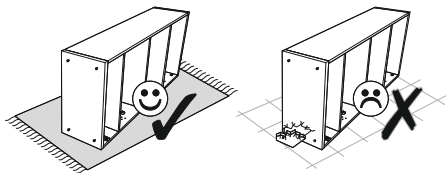
35 ▶



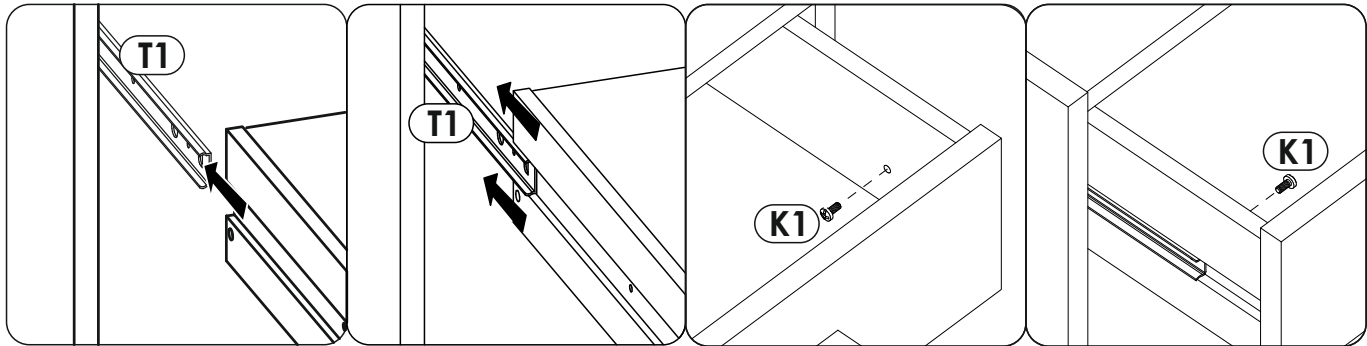
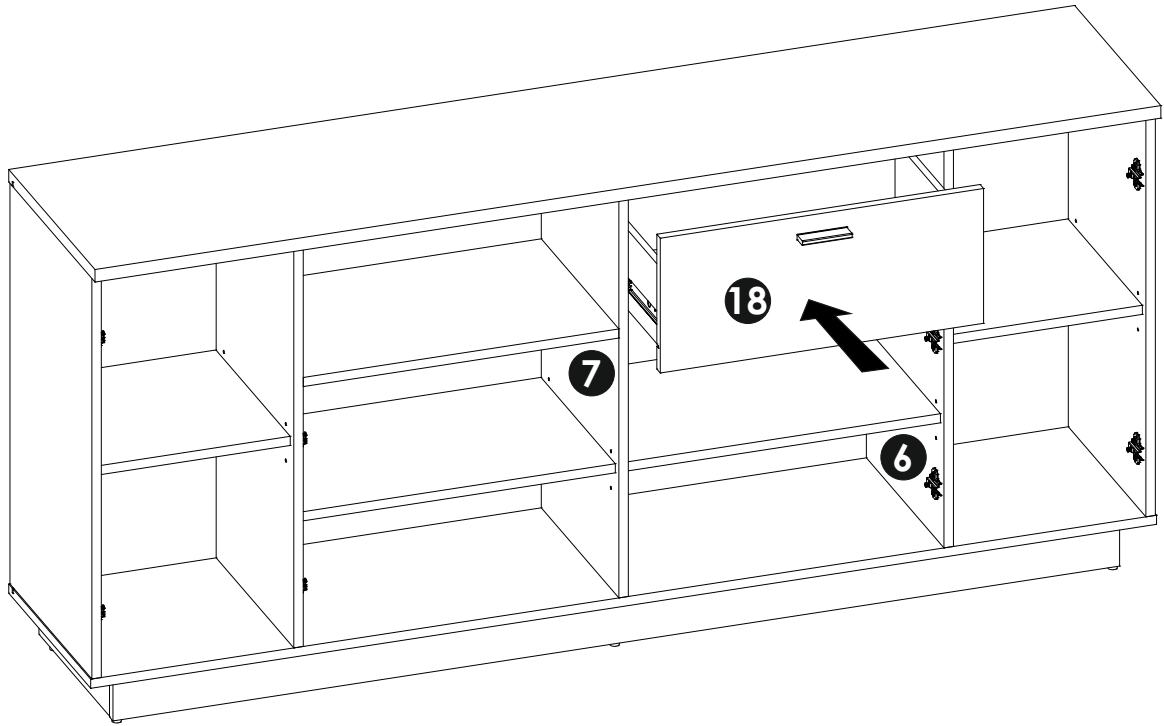
x5



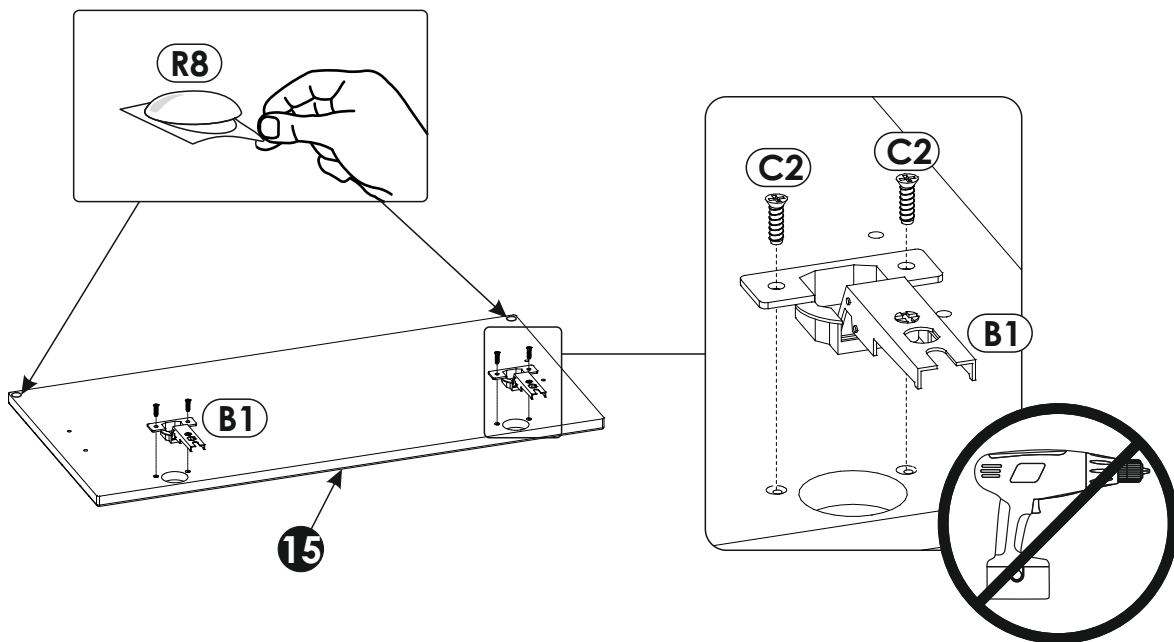
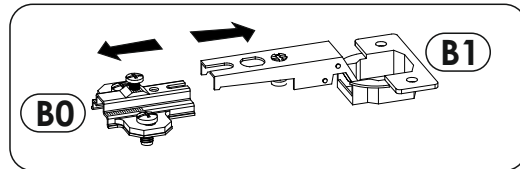
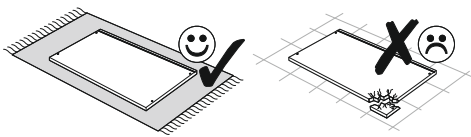
36 ▶



37▶

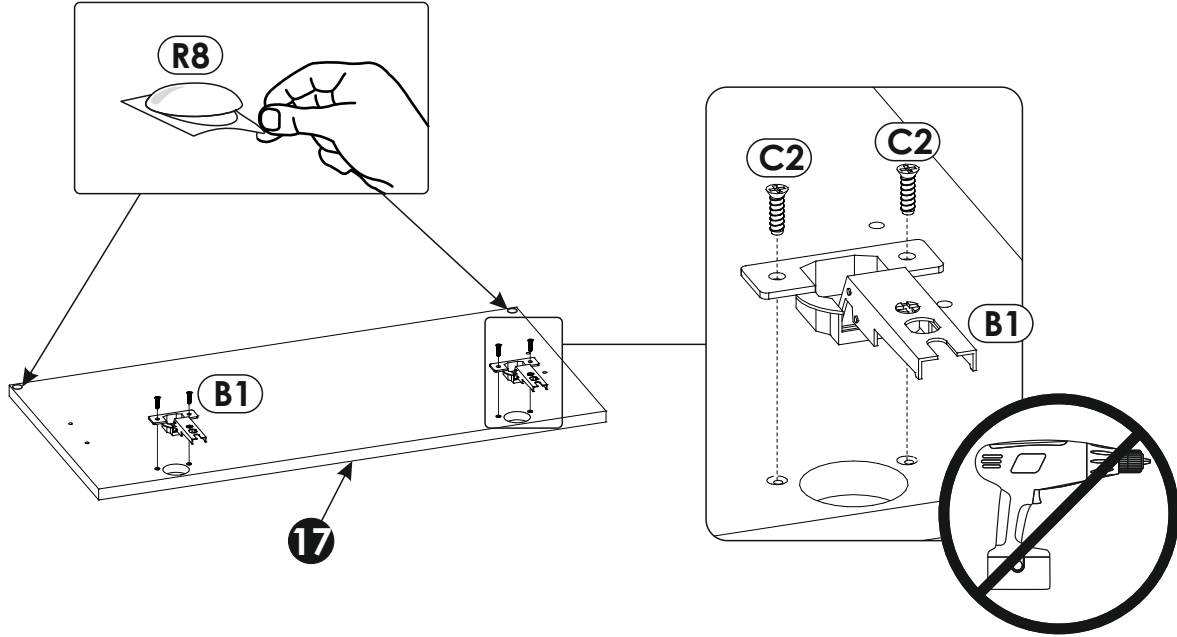
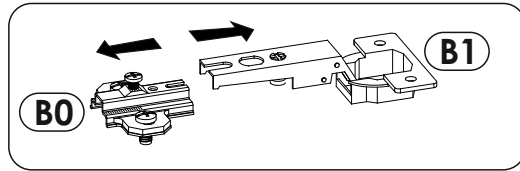
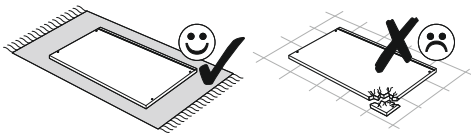


38▶

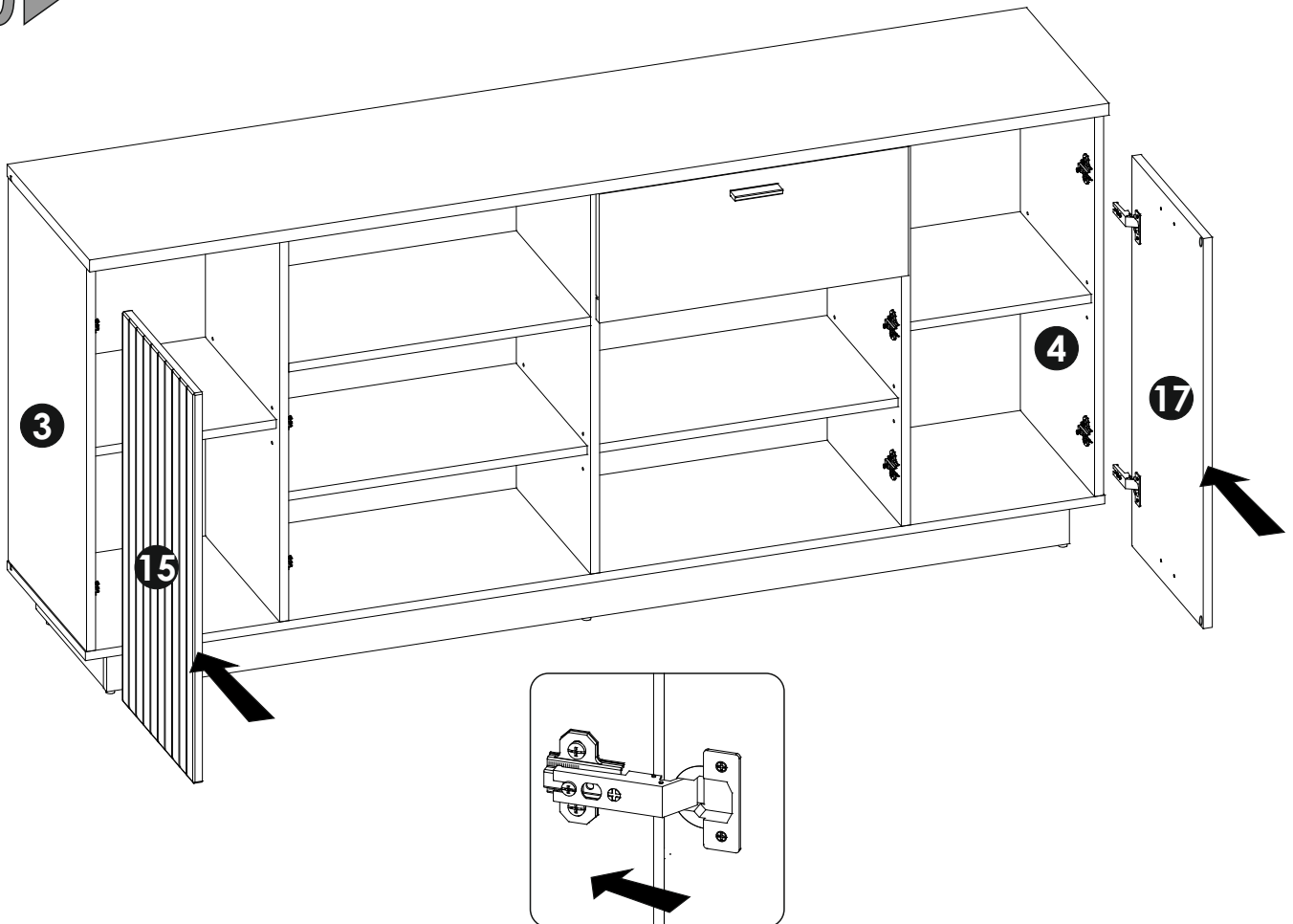




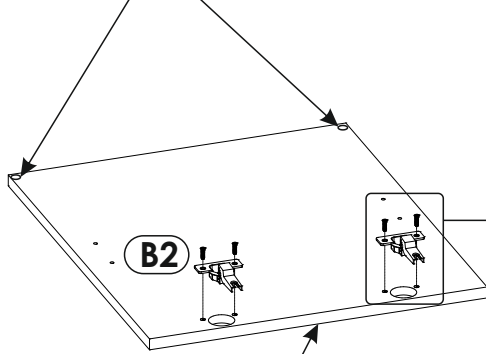
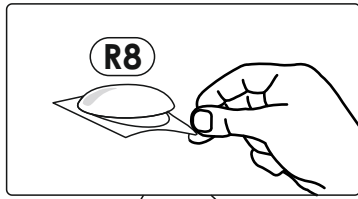
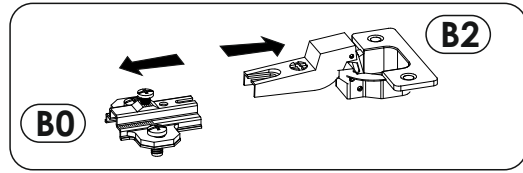
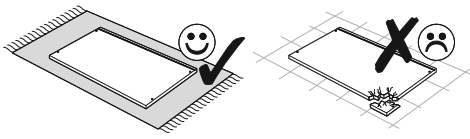
39 ▶



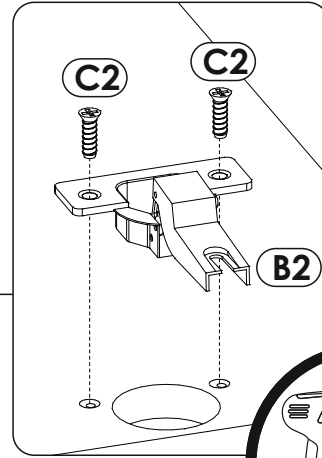
40 ▶



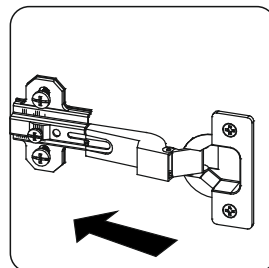
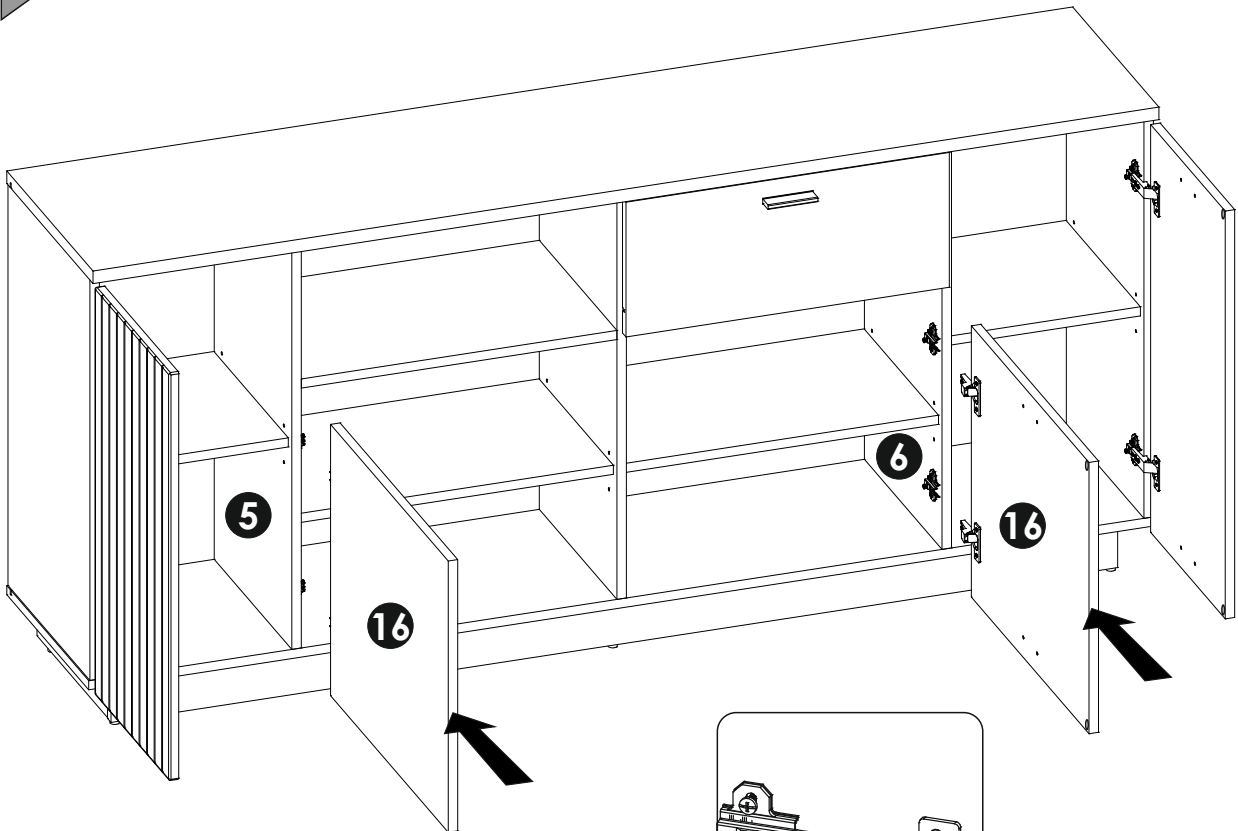
41 ▶



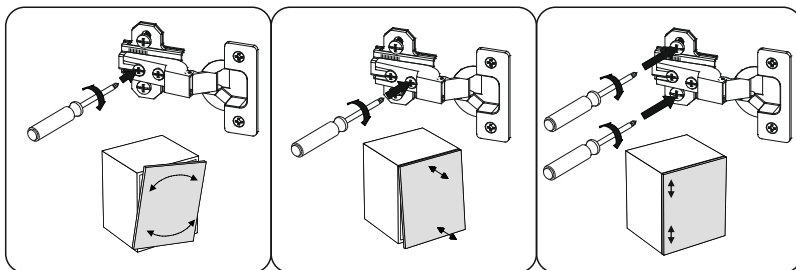
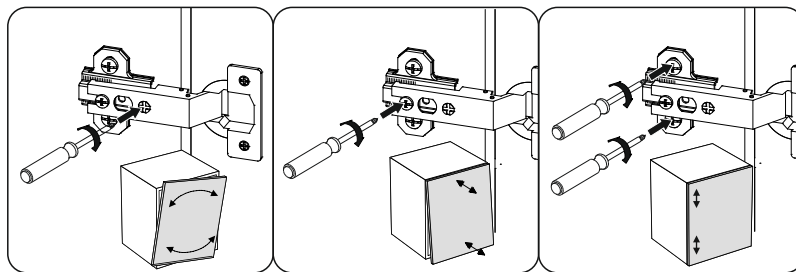
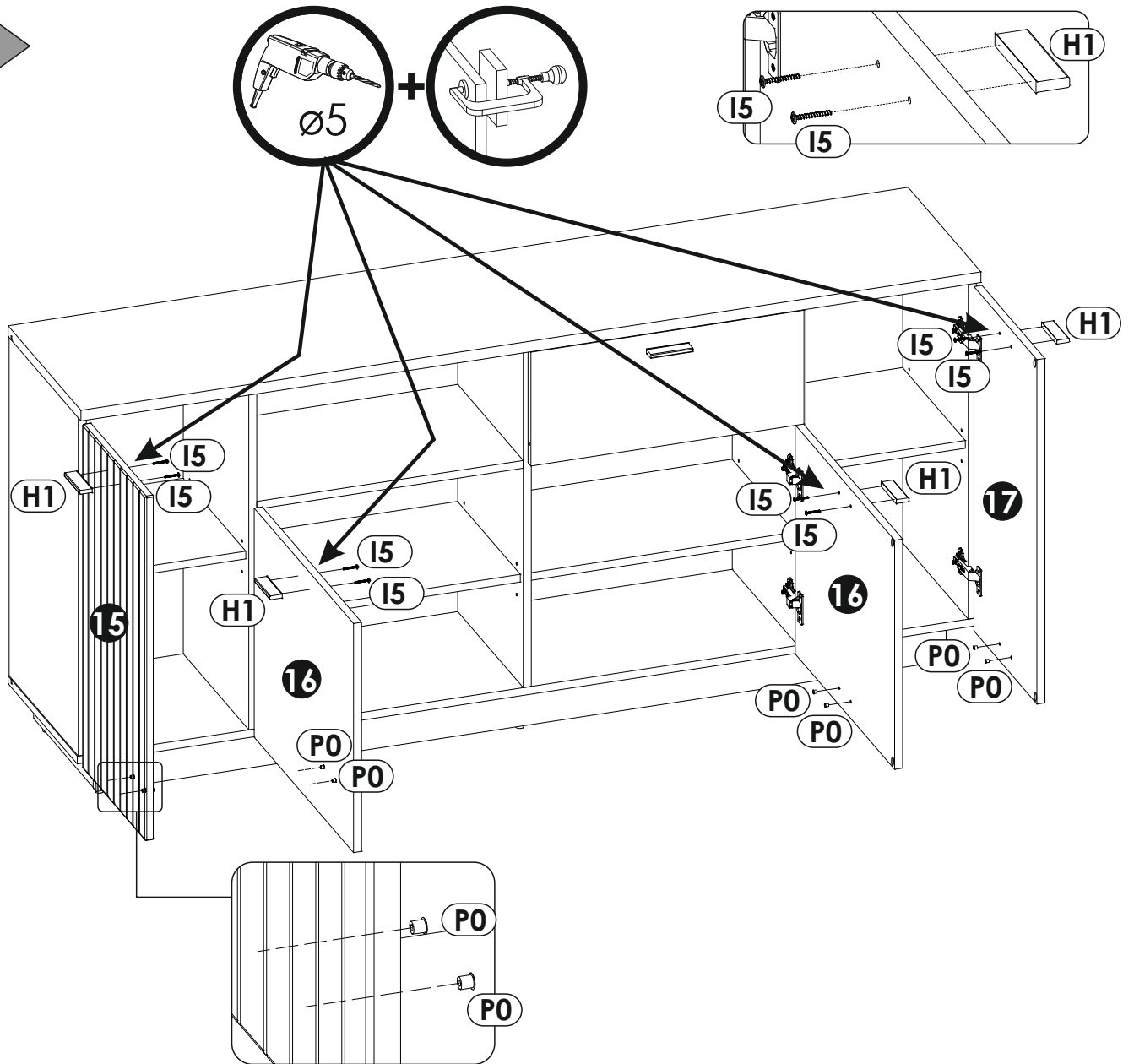
16 x2

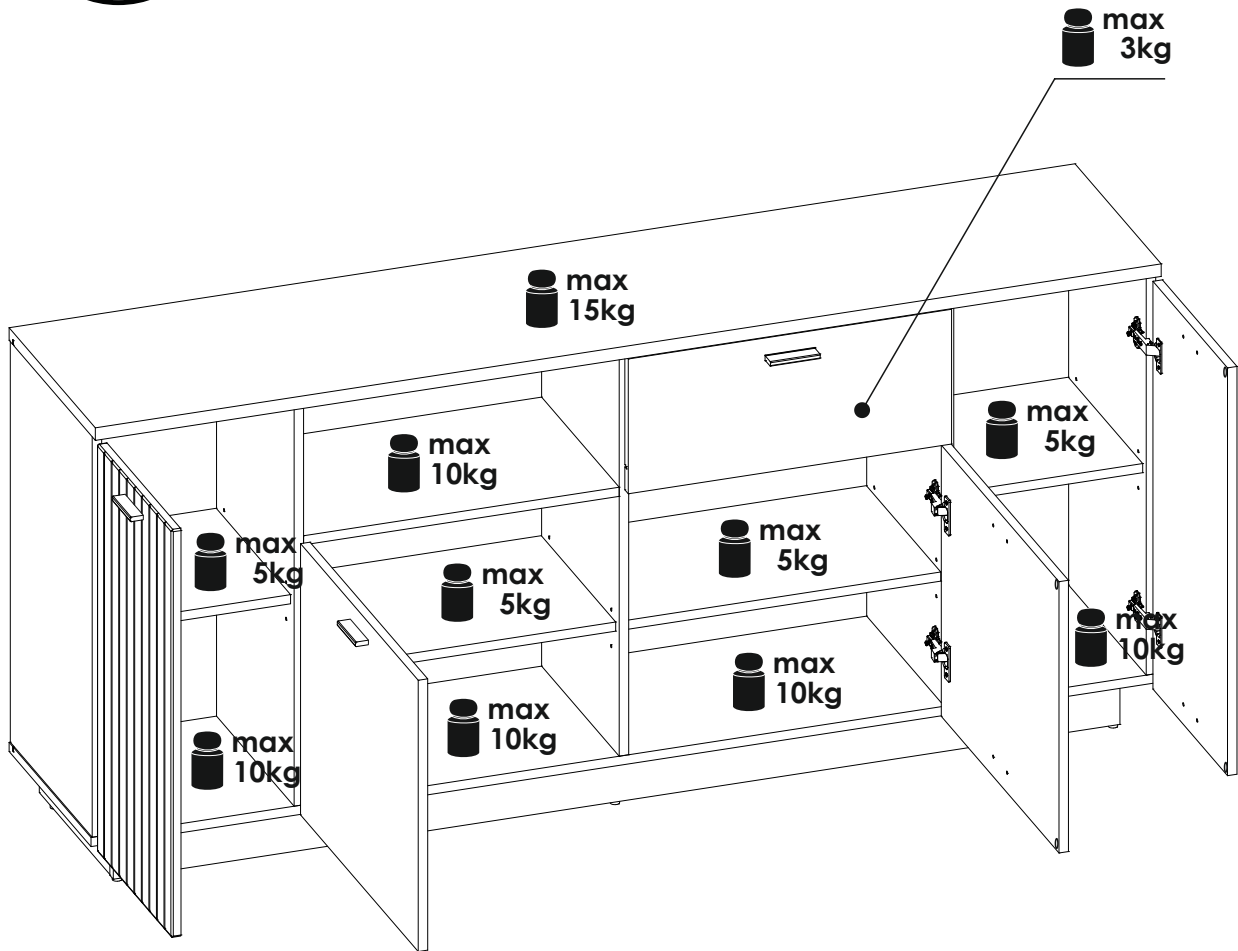


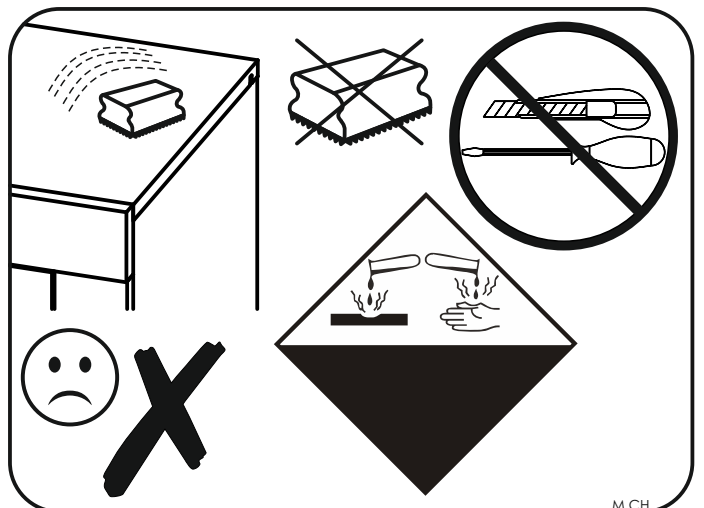
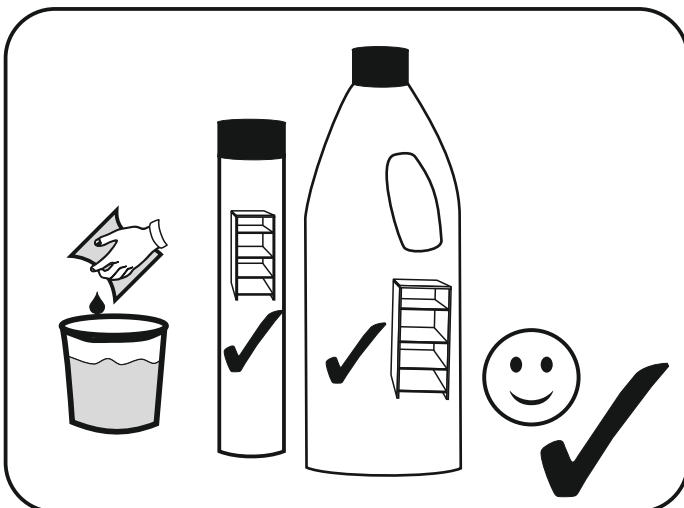
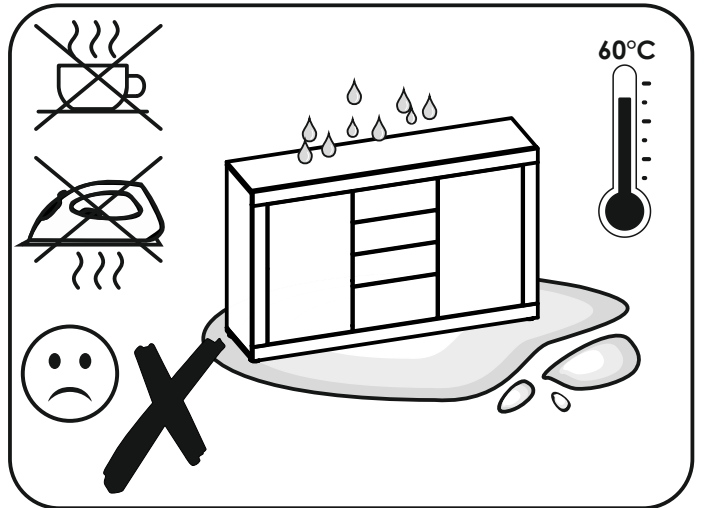
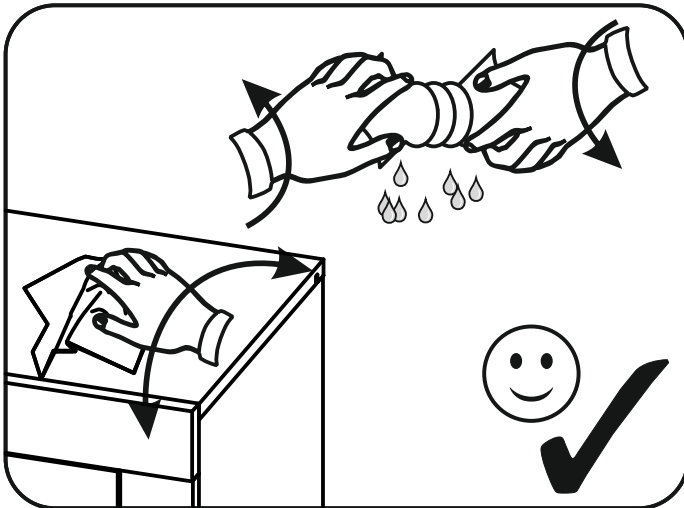
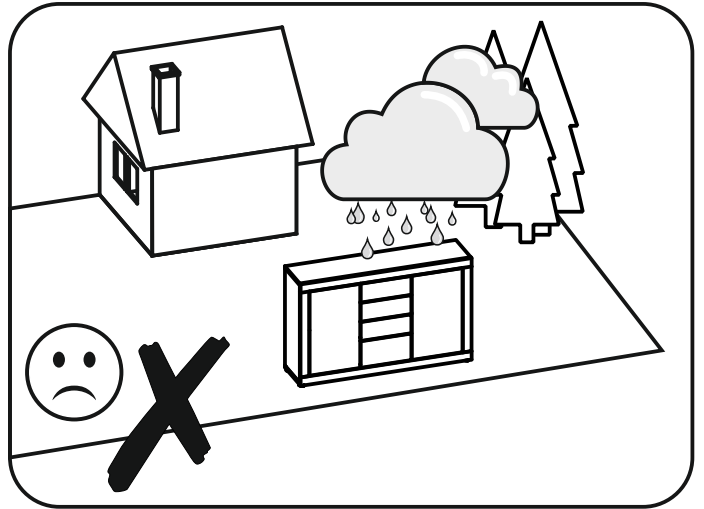
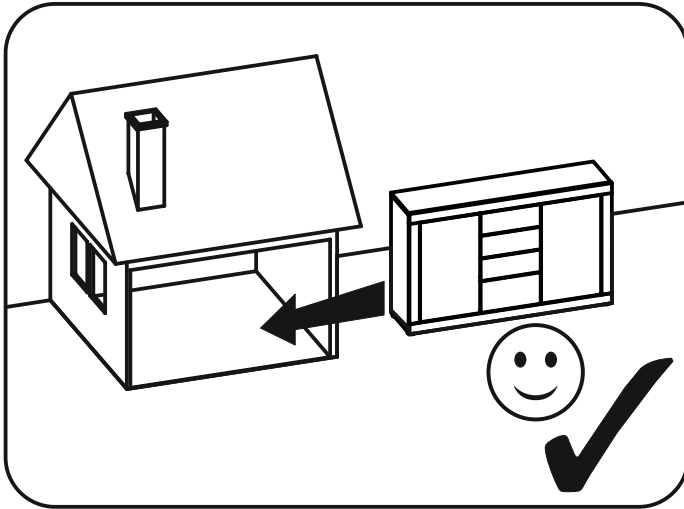
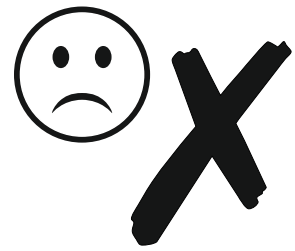
42 ▶

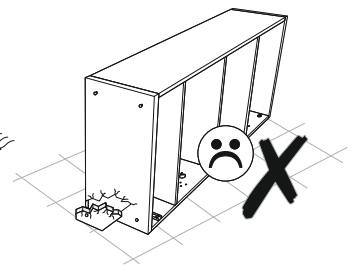
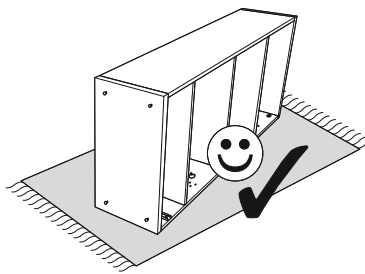
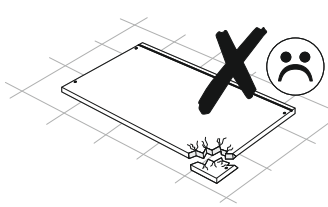
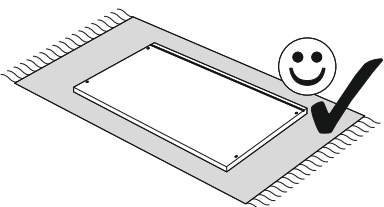
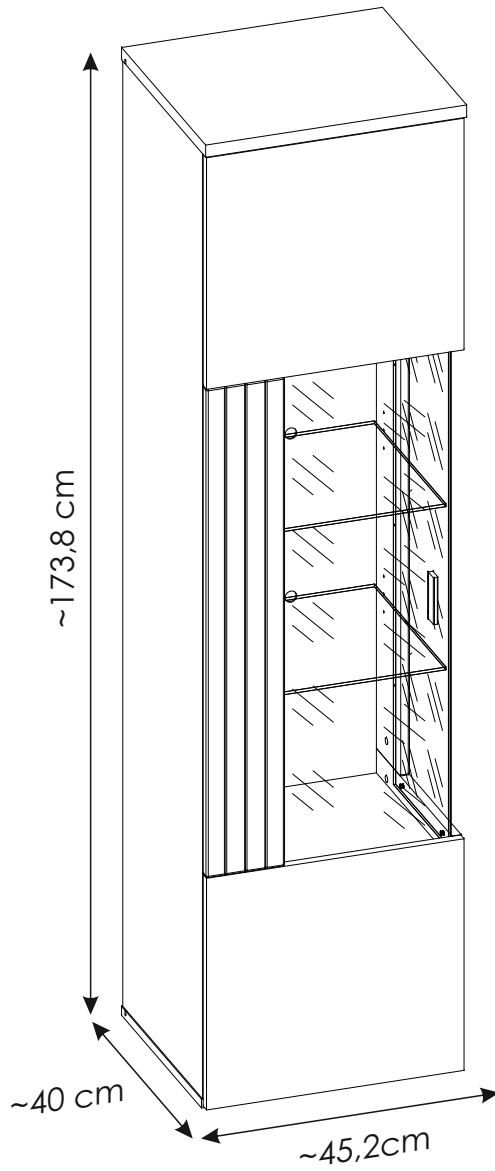
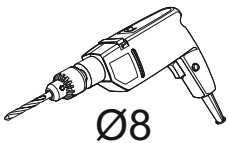
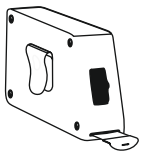
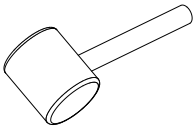
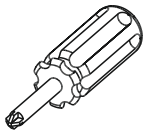
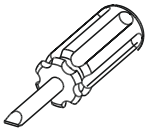
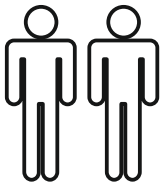


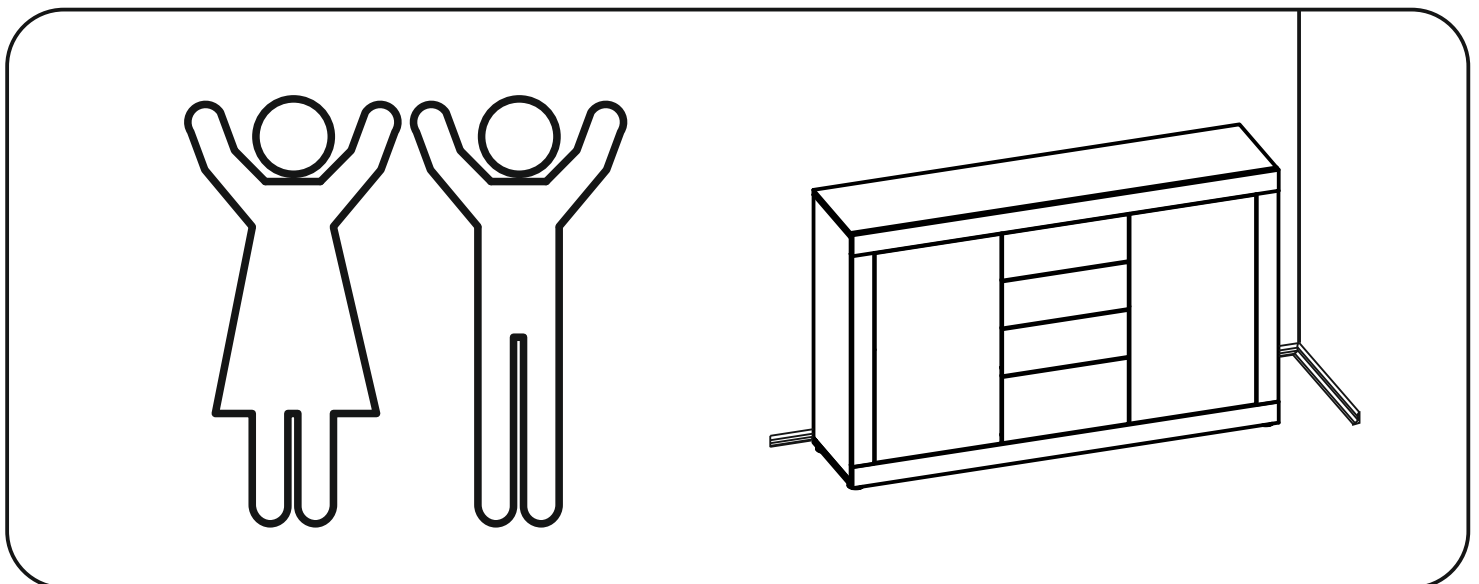
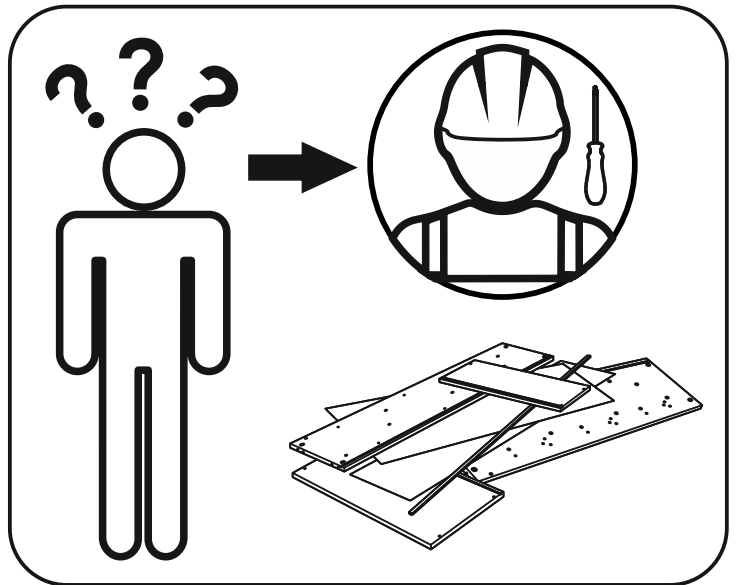
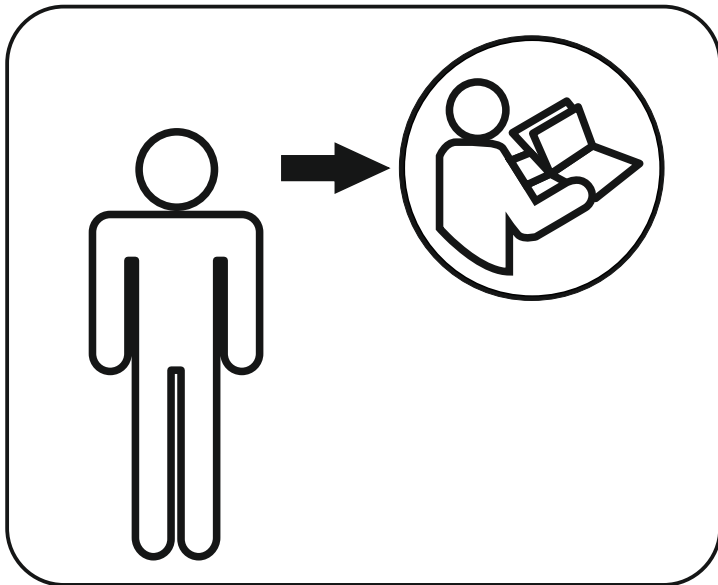
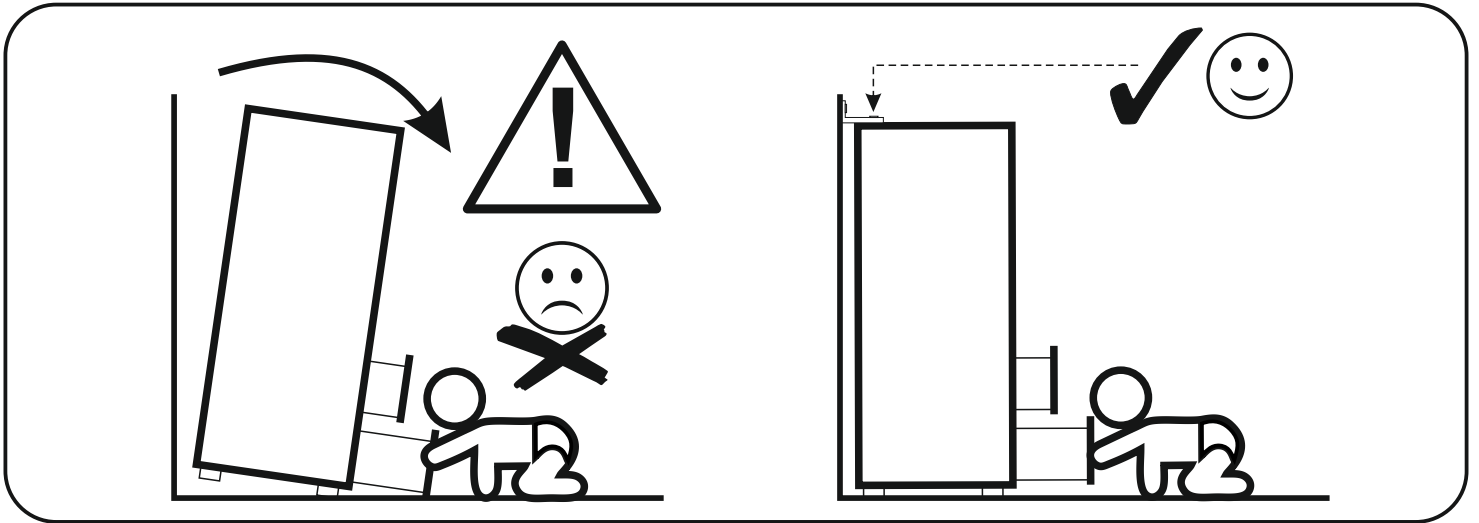
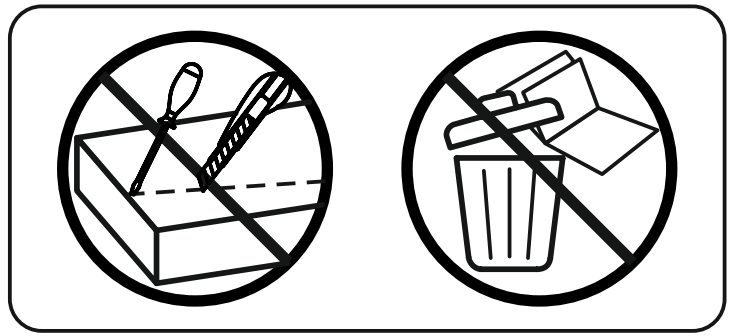
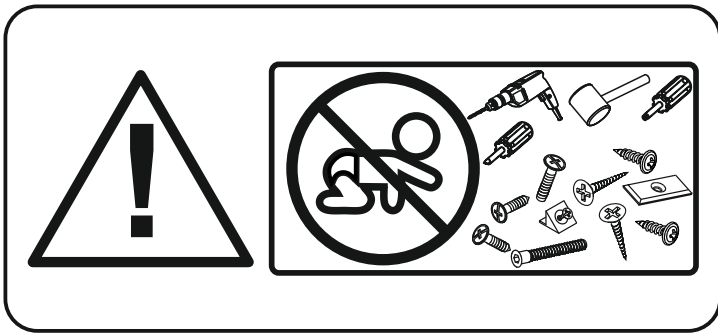
43 ▶

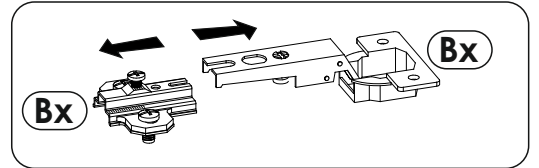
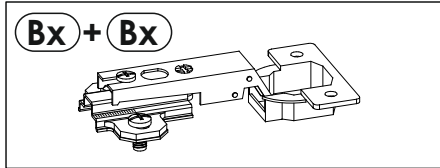
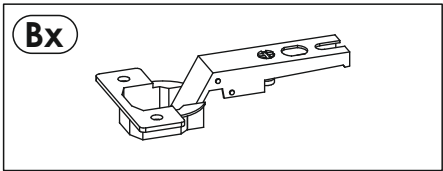
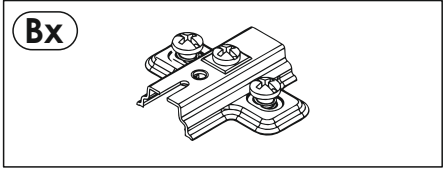






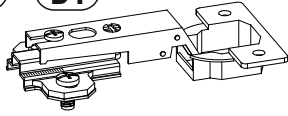
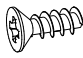
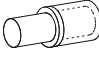
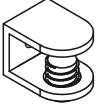
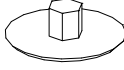

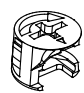
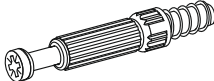
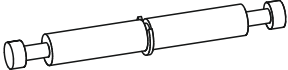
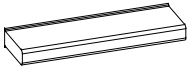
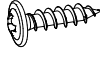
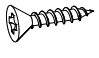
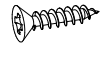
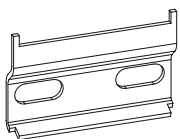
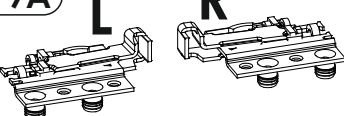
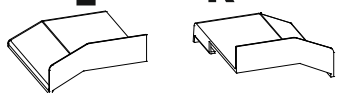


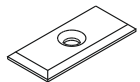

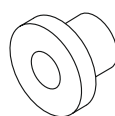
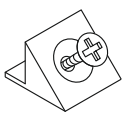
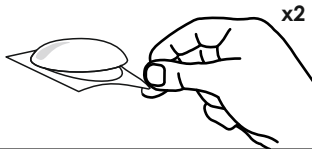
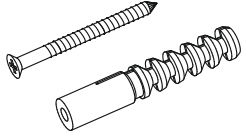


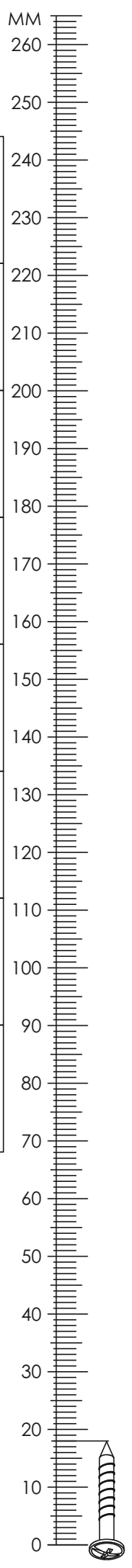
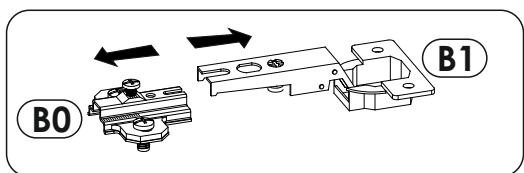


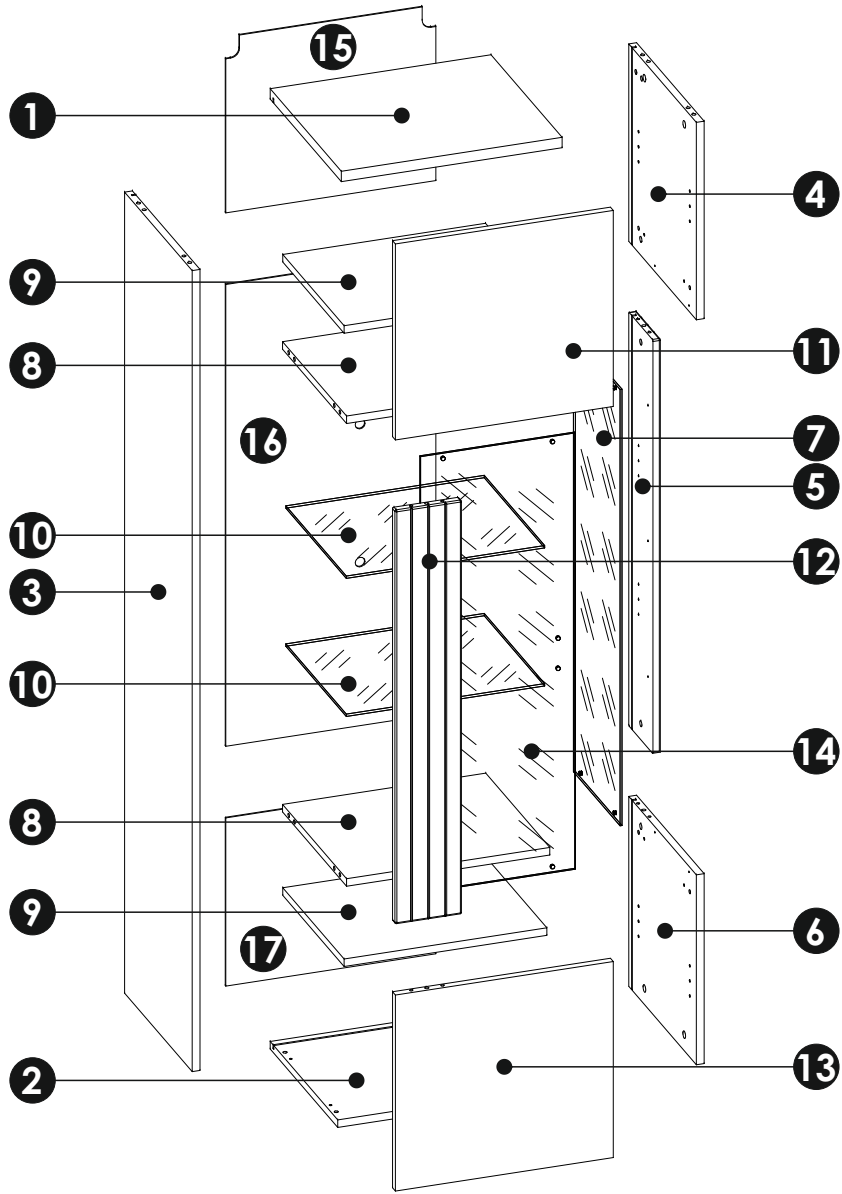
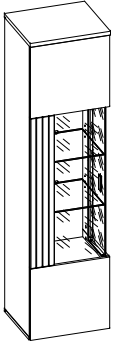






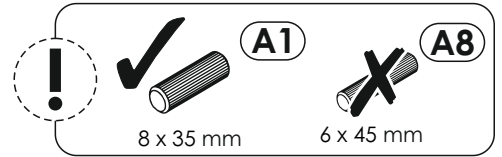
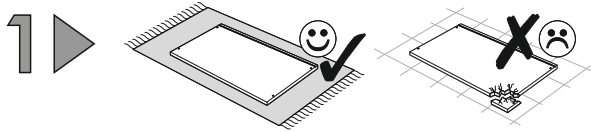
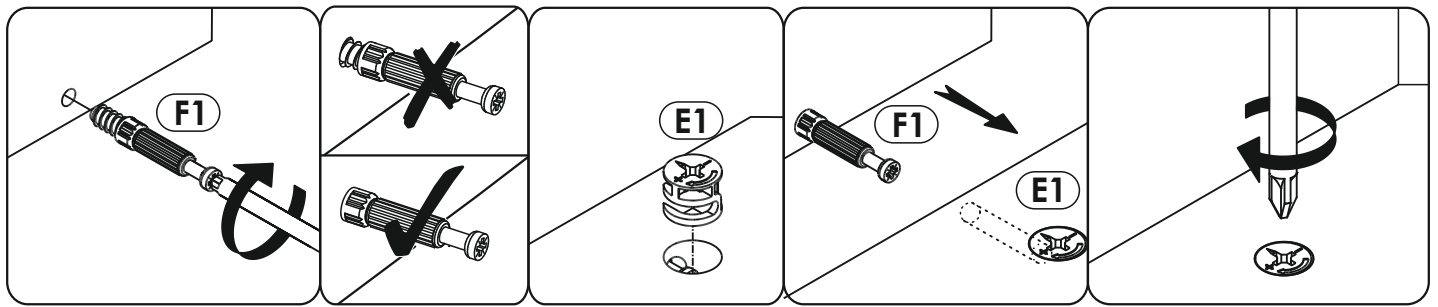
|  |  |   |
|--|--|---|
| <b>A1</b><br>8 x 35 mm<br>x16<br>   | <b>A8</b><br>6 x 45 mm<br>x8<br>    | <b>B0 + B1</b><br>x4<br>             |
| <b>C2</b><br>5 x 13 mm<br>x14<br>   | <b>D2</b><br>x8<br>                 | <b>D5</b><br>x6<br>                  |
| <b>E0</b><br>Ø16<br>x16<br>         | <b>E1</b><br>15 x 12 mm<br>x16<br>  | <b>E4</b><br>12 x 10 mm<br>x8<br>    |
| <b>F1</b><br>6 x 34 mm<br>x16<br>   | <b>F3</b><br>7 x 64 mm<br>x4<br>    | <b>H1</b><br>x1<br>L - 84 mm<br>     |
| <b>I2</b><br>4 x 16 mm<br>x10<br> | <b>N1</b><br>3 x 16 mm<br>x10<br> | <b>N5</b><br>3,5 x 16 mm<br>x4<br> |
| <b>P8B</b><br>x2<br>              | <b>P9A</b> L R<br>x1<br>          | <b>P9B</b> L R<br>x1<br>            |
| <b>P15</b><br>x3<br>              | <b>P16</b><br>x8<br>              | <b>R1</b><br>x4<br>                |
| <b>R2</b><br>x6<br>               | <b>R3</b><br>x10<br>              | <b>R4</b><br>x10<br>               |
| <b>R8</b><br>x2<br>               | <b>S13</b><br>x4<br>Ø8<br>        |   |



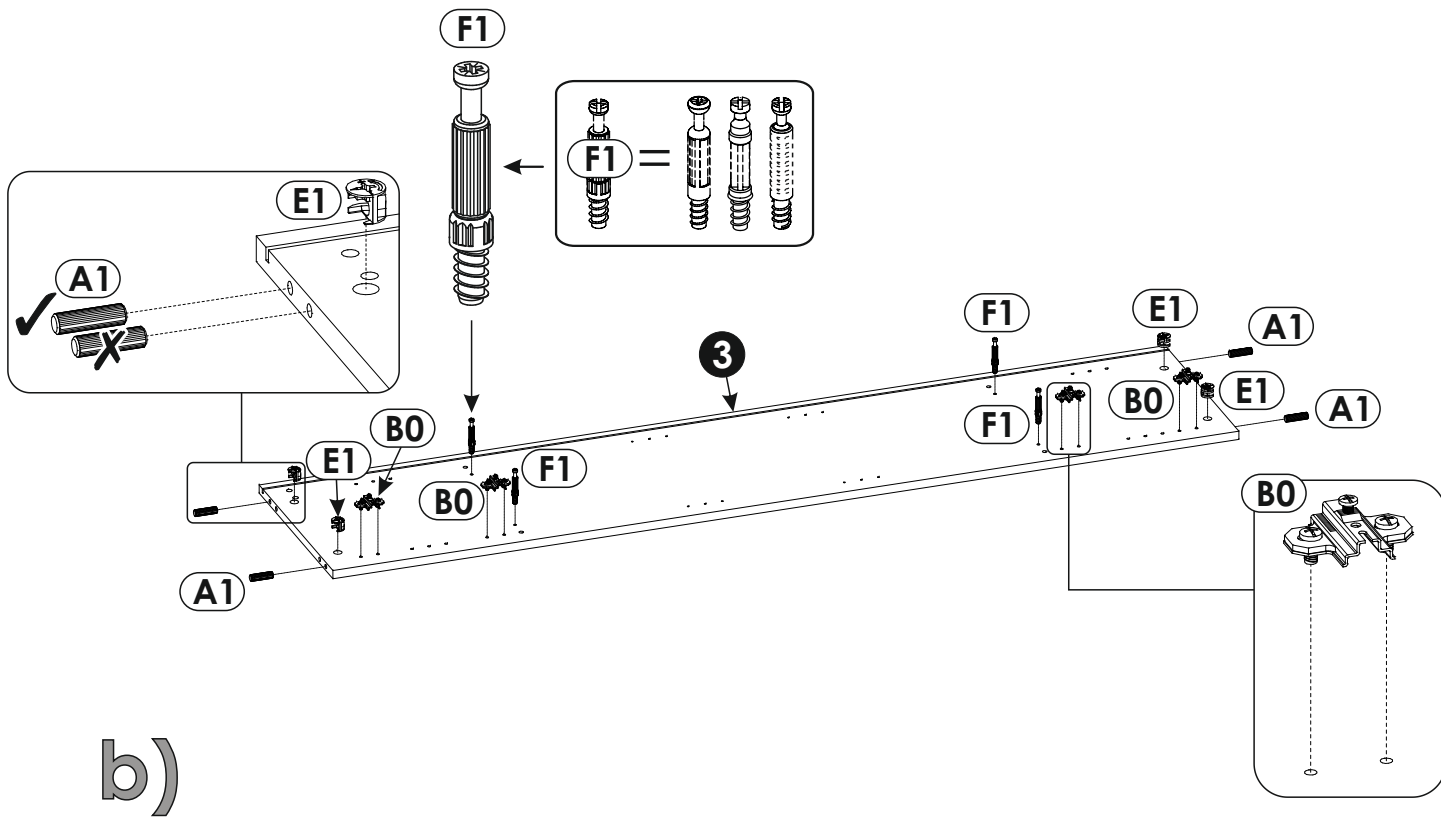
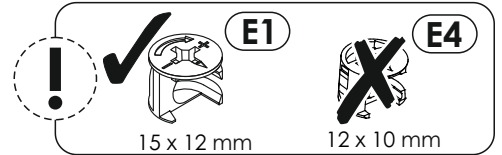
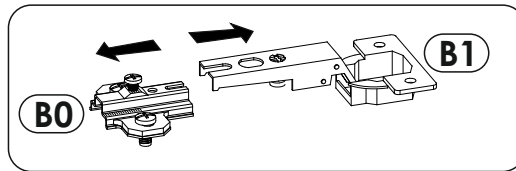


|          |      |     |    |    |     |
|----------|------|-----|----|----|-----|
| <b>1</b> | 452  | 400 | 22 | x1 | 1/2 |
| <b>2</b> | 450  | 380 | 16 | x1 | 1/2 |
| <b>3</b> | 1700 | 380 | 16 | x1 | 2/2 |
| <b>4</b> | 419  | 380 | 16 | x1 | 2/2 |
| <b>5</b> | 878  | 136 | 16 | x1 | 1/2 |
| <b>6</b> | 403  | 380 | 16 | x1 | 2/2 |
| <b>7</b> | 926  | 262 | 4  | x1 | 2/2 |
| <b>8</b> | 416  | 360 | 16 | x2 | 2/2 |
| <b>9</b> | 415  | 345 | 16 | x2 | 2/2 |

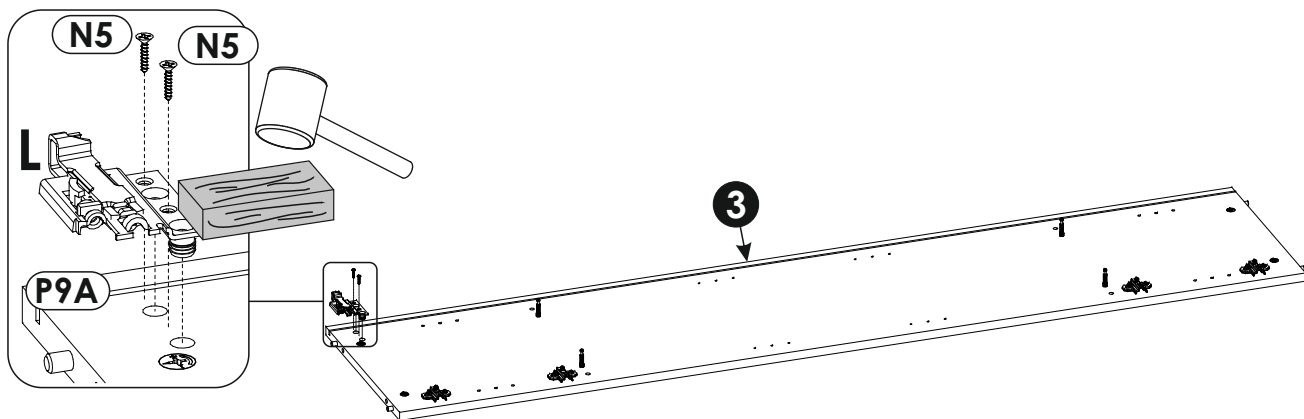
|           |     |     |    |    |     |
|-----------|-----|-----|----|----|-----|
| <b>10</b> | 406 | 340 | 5  | x2 | 1/2 |
| <b>11</b> | 416 | 446 | 16 | x1 | 1/2 |
| <b>12</b> | 878 | 136 | 16 | x1 | 1/2 |
| <b>13</b> | 416 | 446 | 16 | x1 | 1/2 |
| <b>14</b> | 926 | 317 | 4  | x1 | 2/2 |
| <b>15</b> | 373 | 430 | 3  | x1 | 2/2 |
| <b>16</b> | 980 | 430 | 3  | x1 | 1/2 |
| <b>17</b> | 357 | 430 | 3  | x1 | 2/2 |



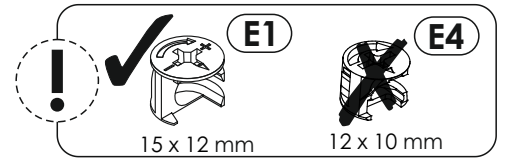
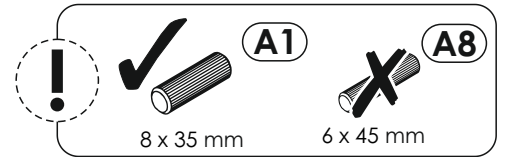
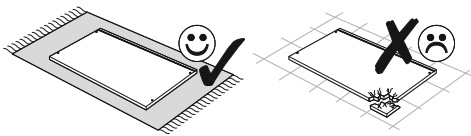
a)



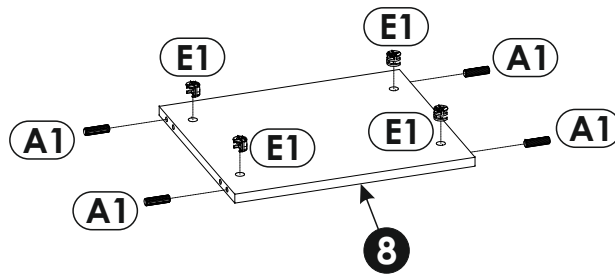
b)



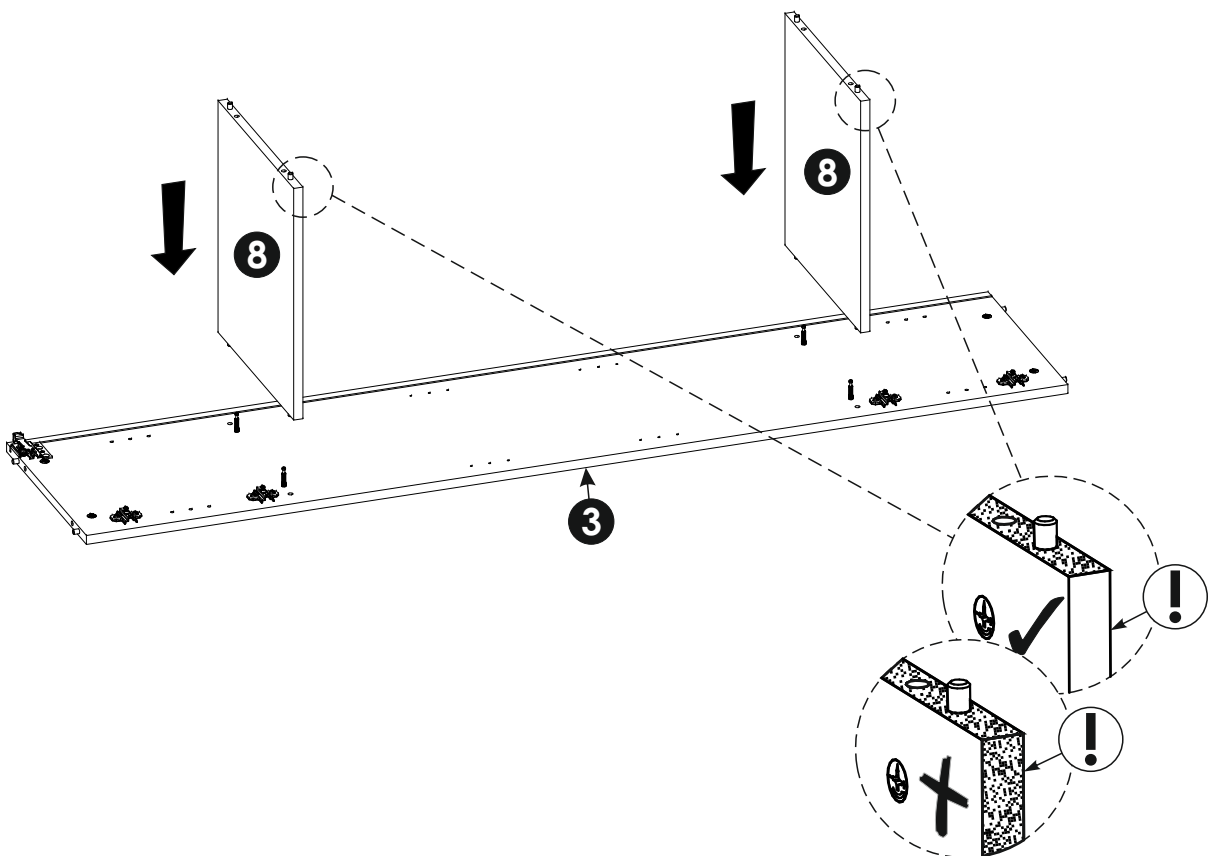
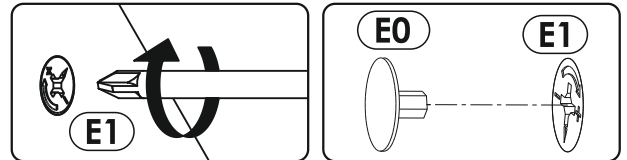
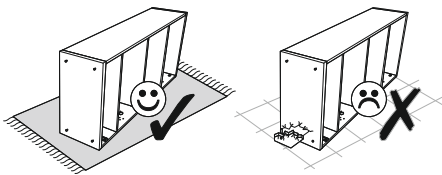
2 ▶



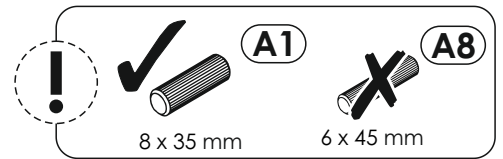
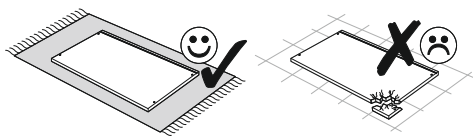
x2



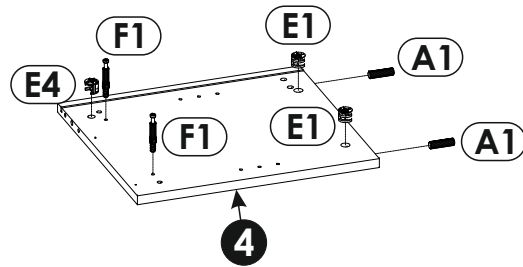
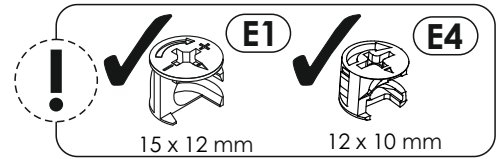
3 ▶



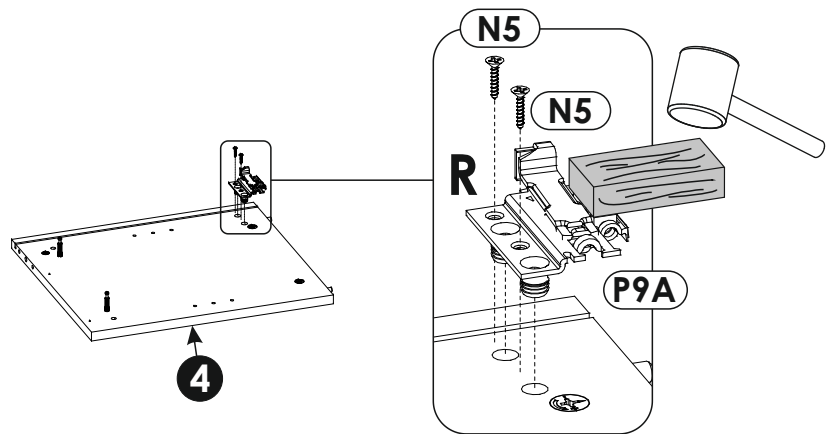
4 ▶



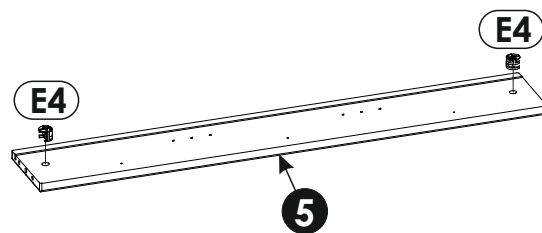
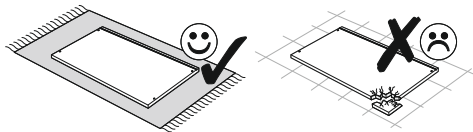
a)

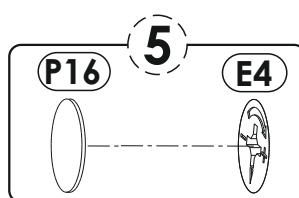
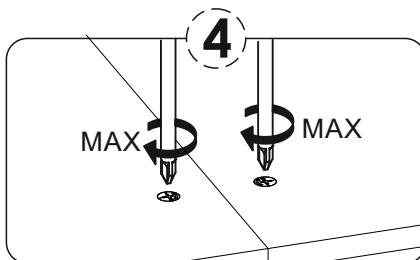
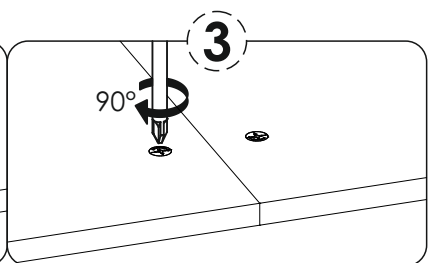
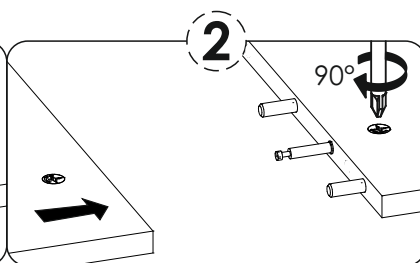
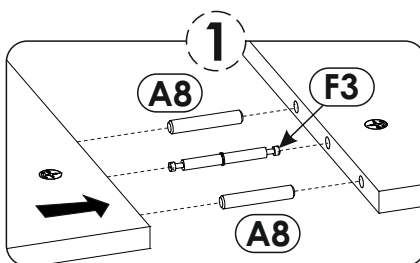
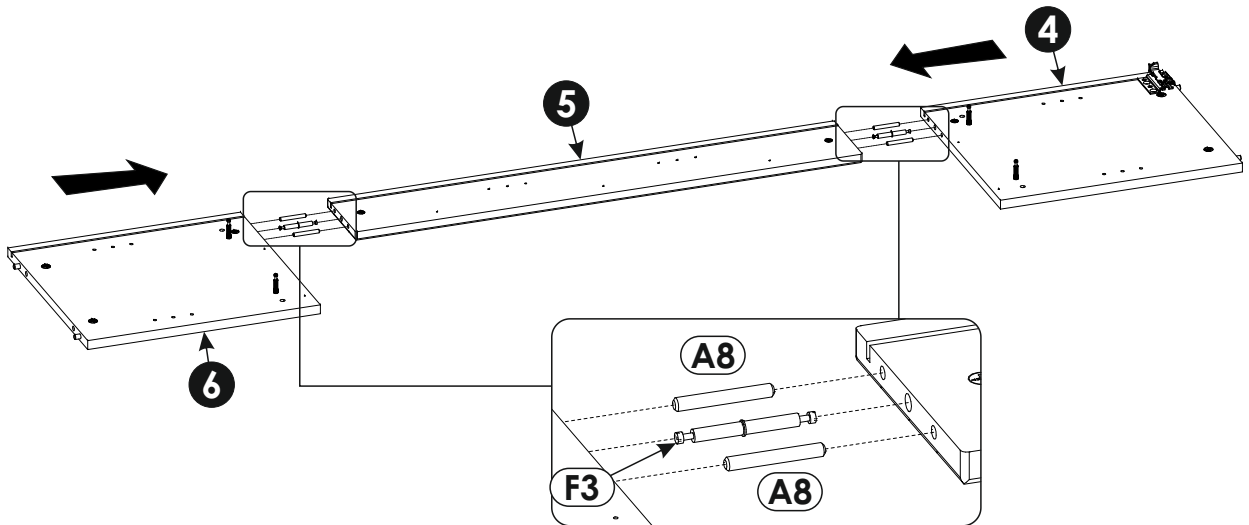
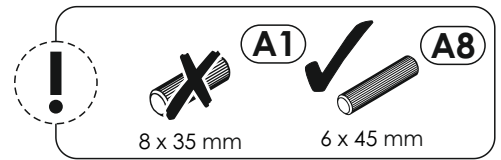
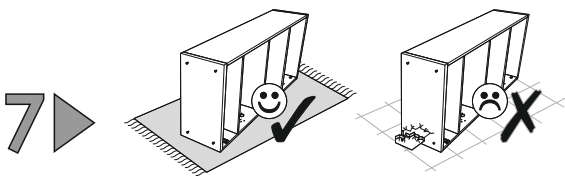
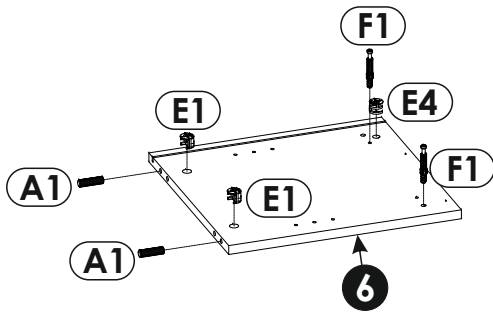
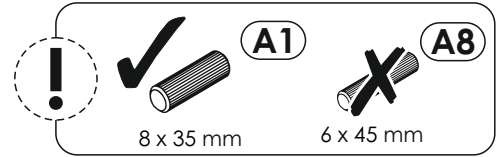
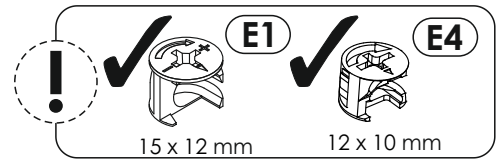
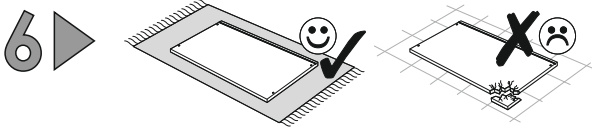


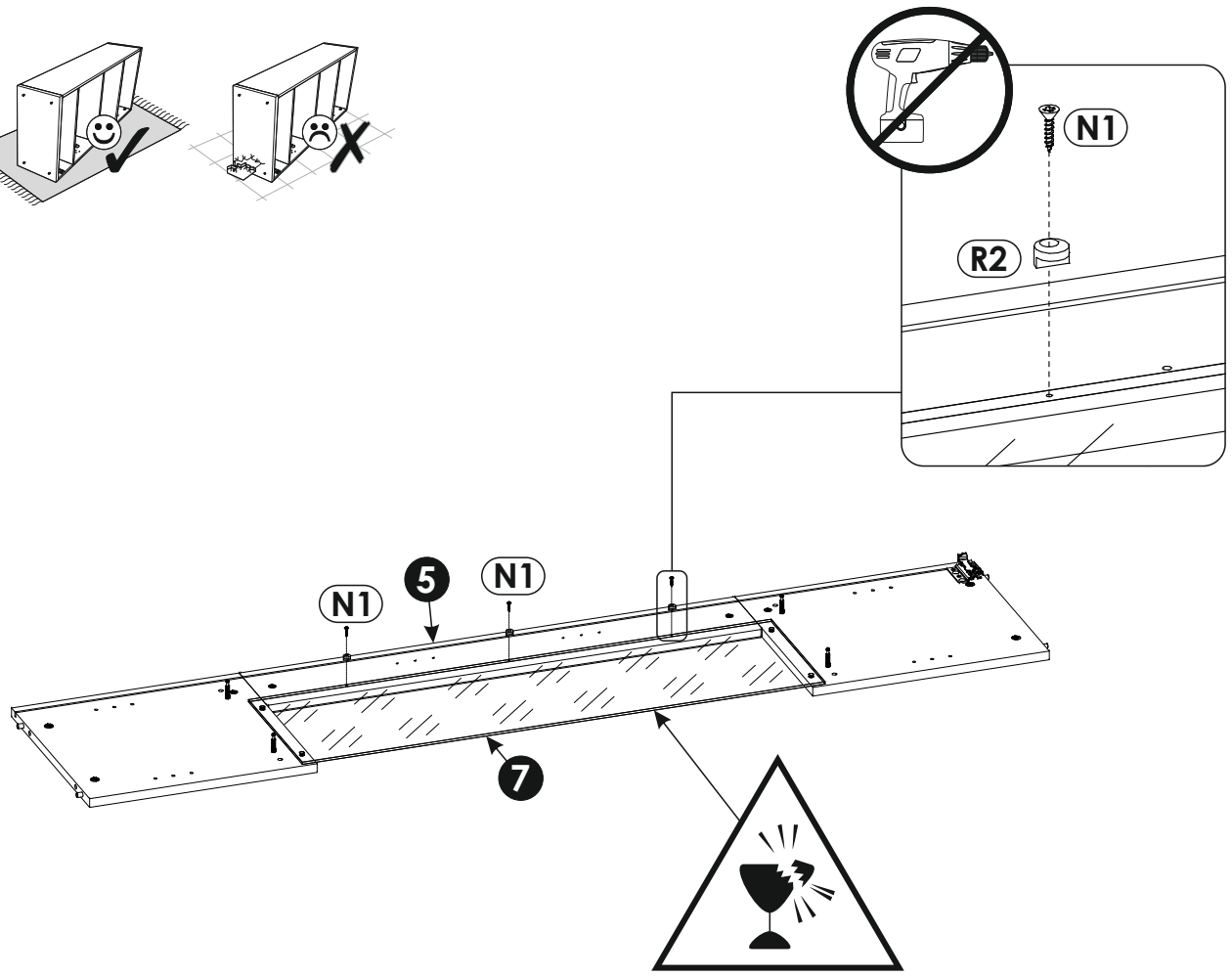
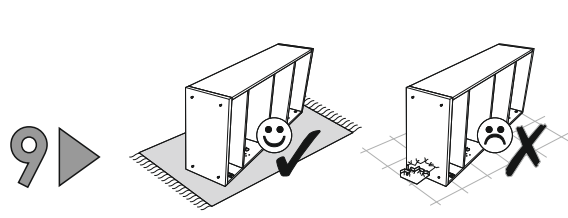
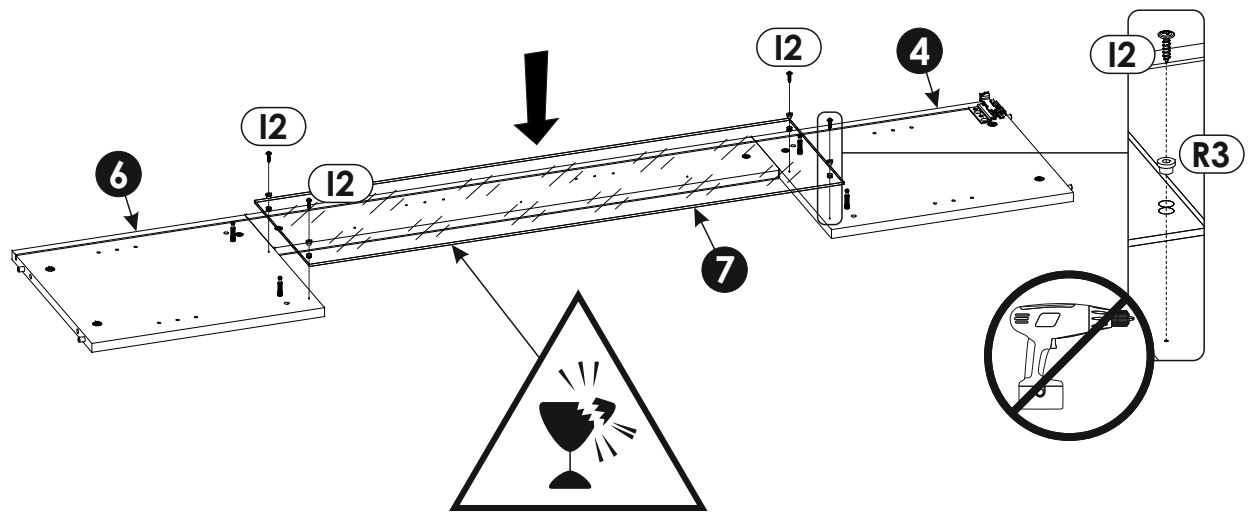
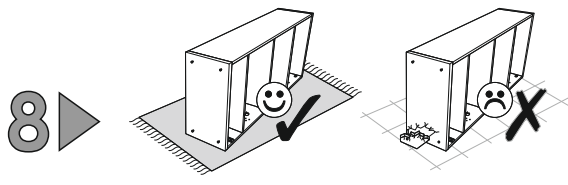
b)

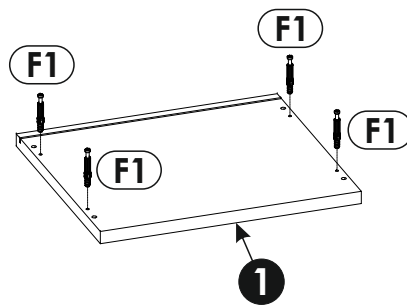
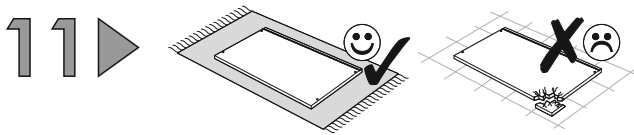
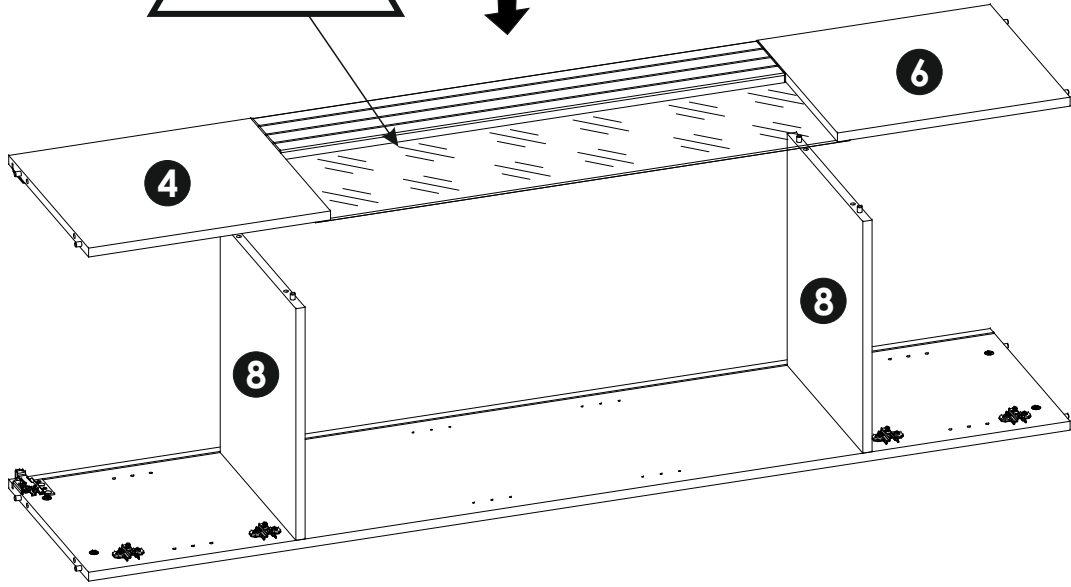
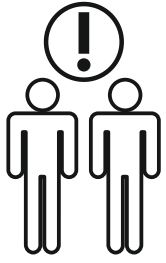
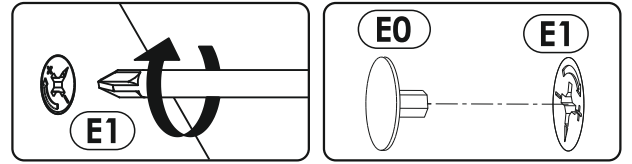
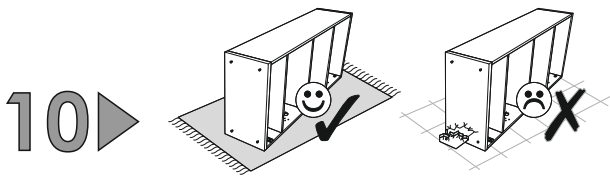


5 ▶

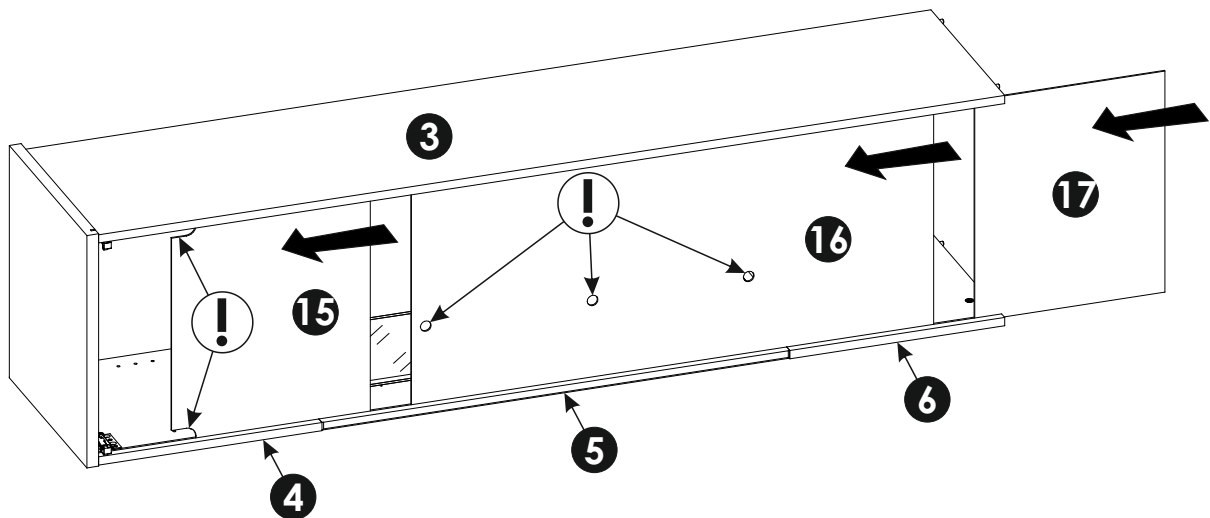
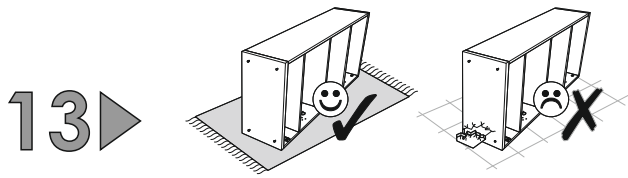
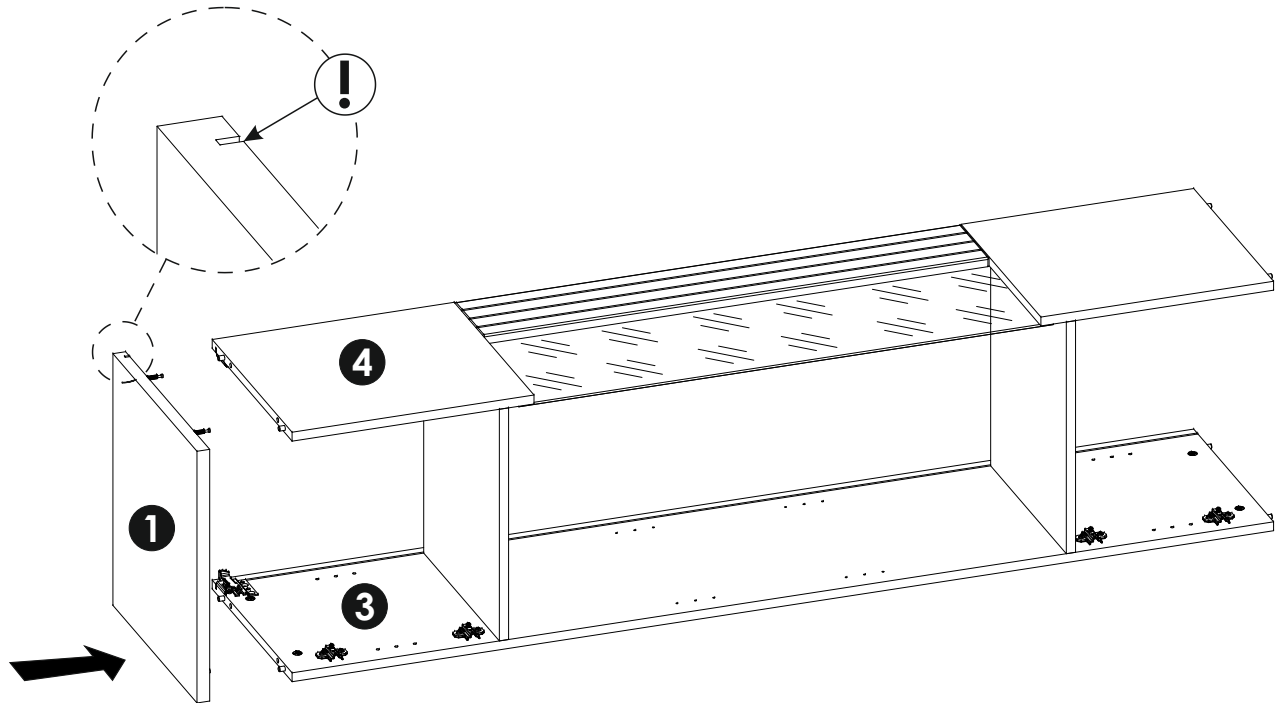
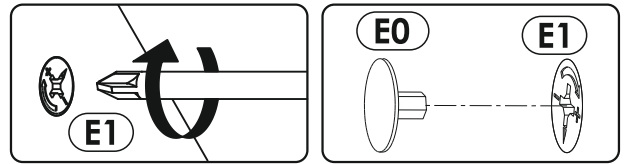
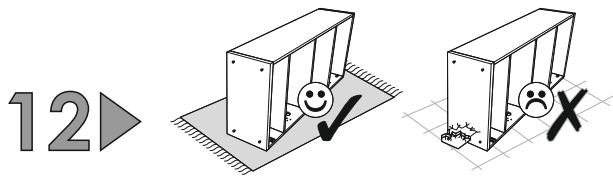




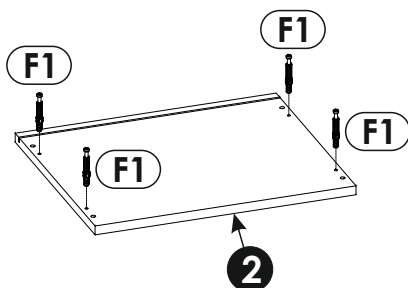
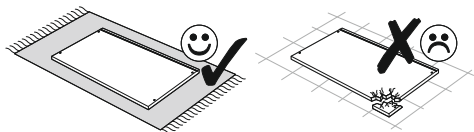




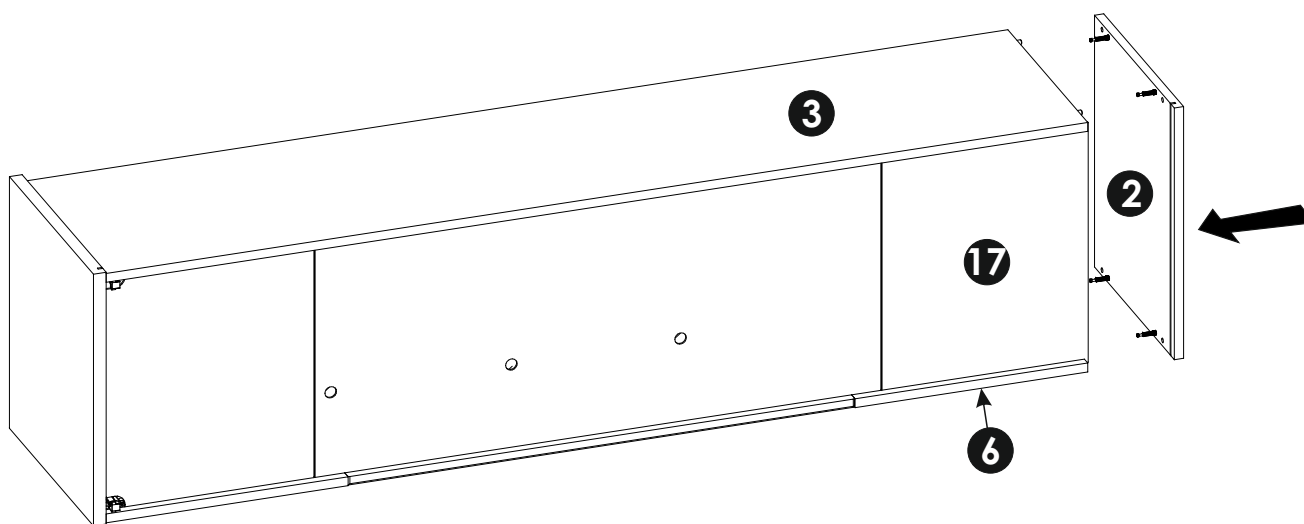
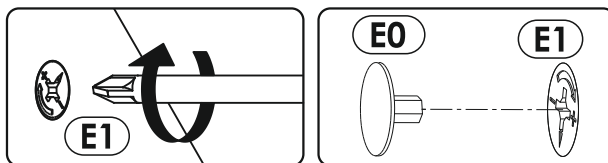
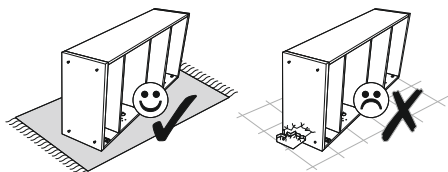


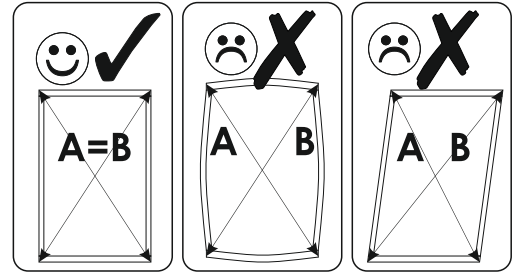
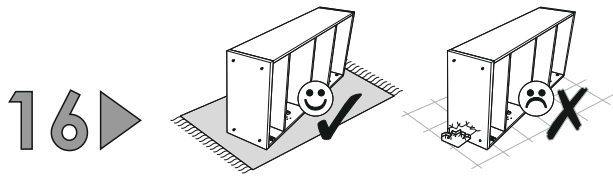


14▶

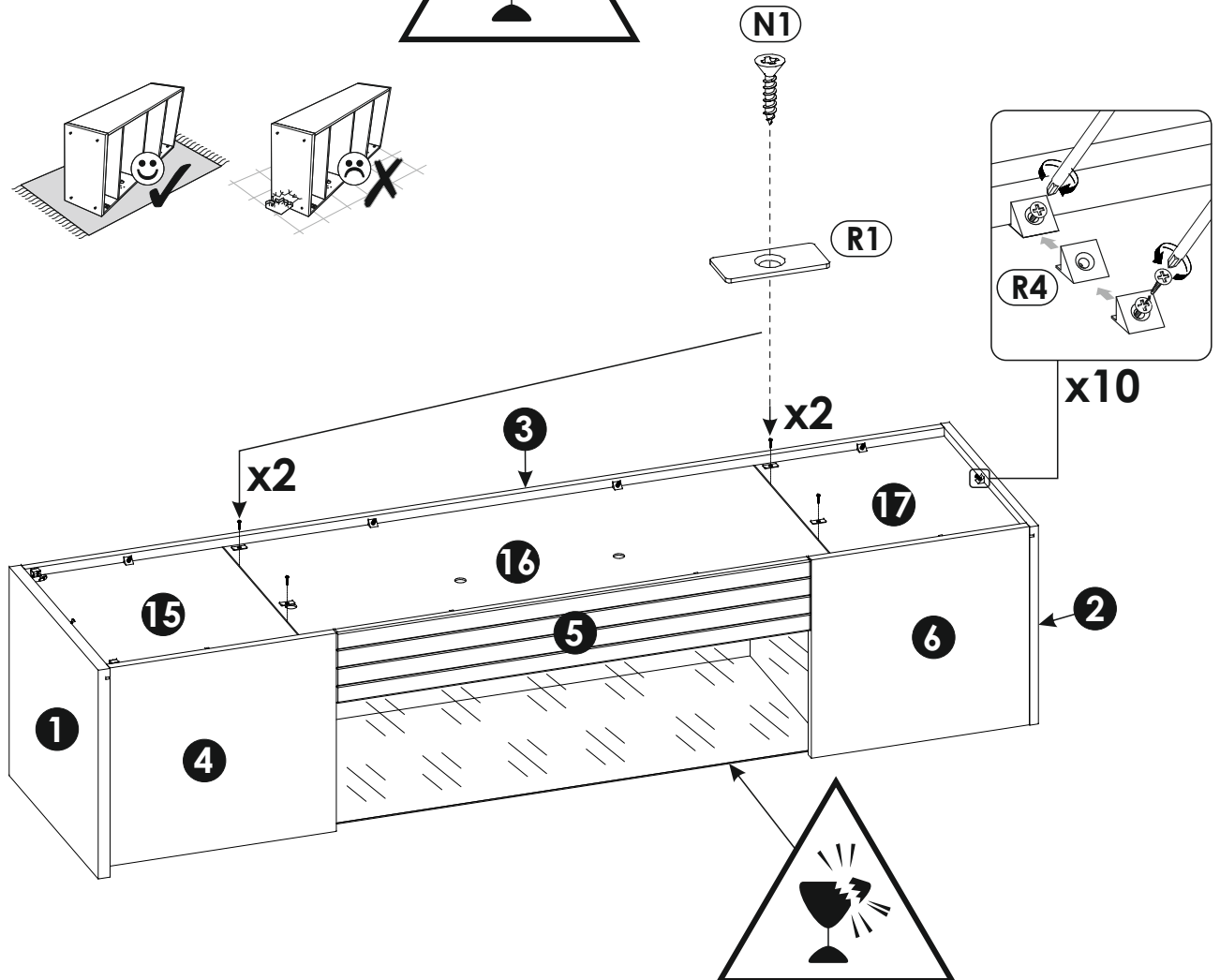
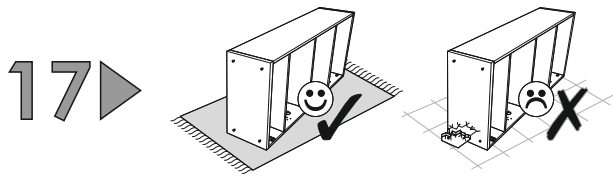
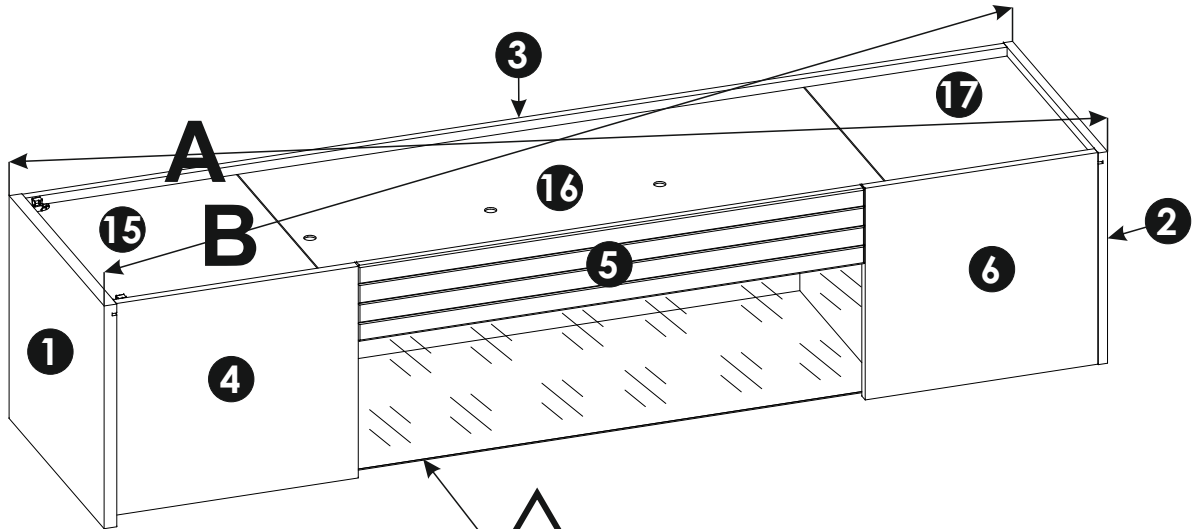


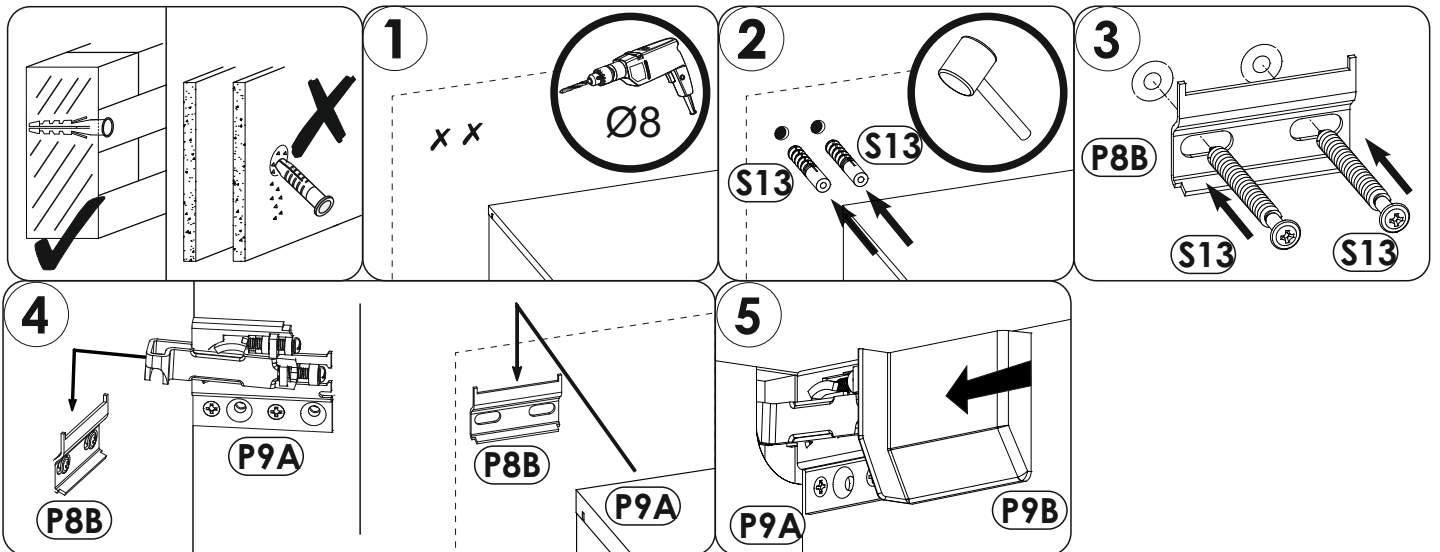
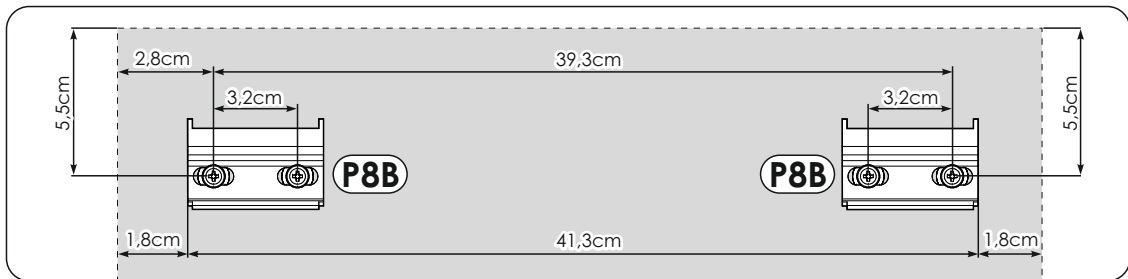
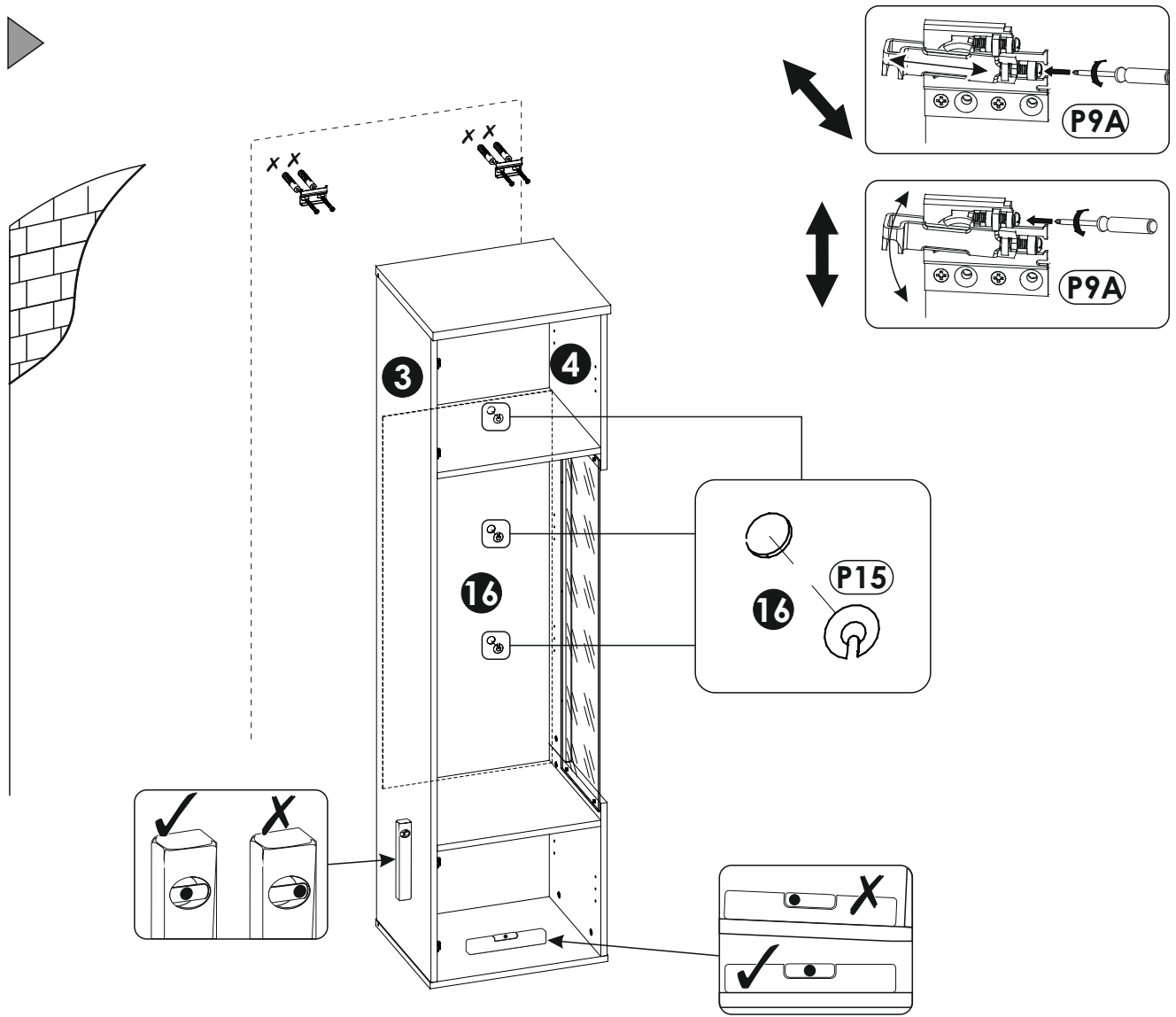
15▶



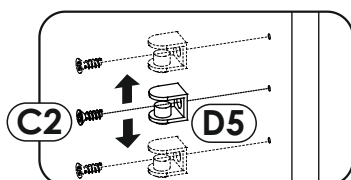
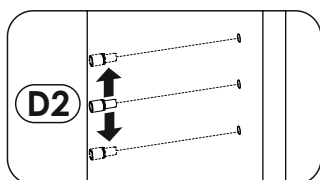
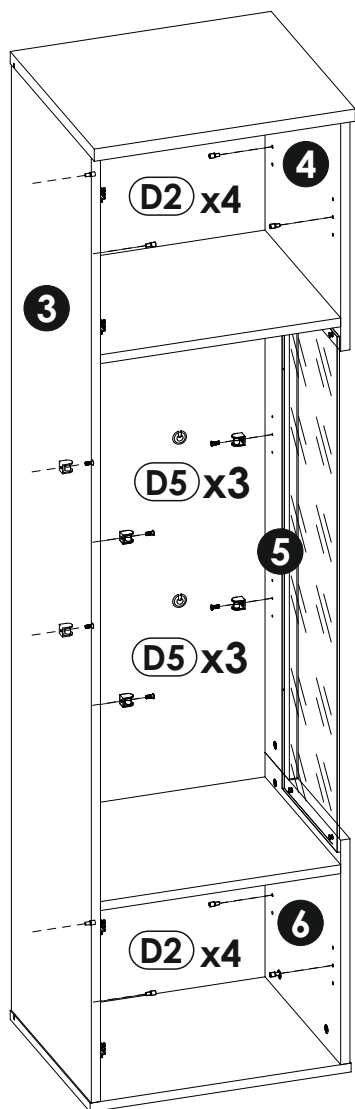


# A=B

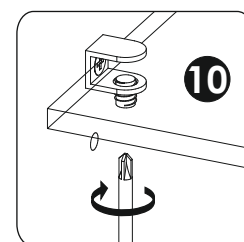
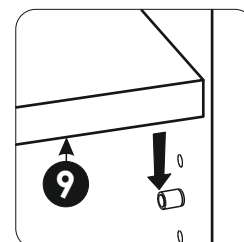
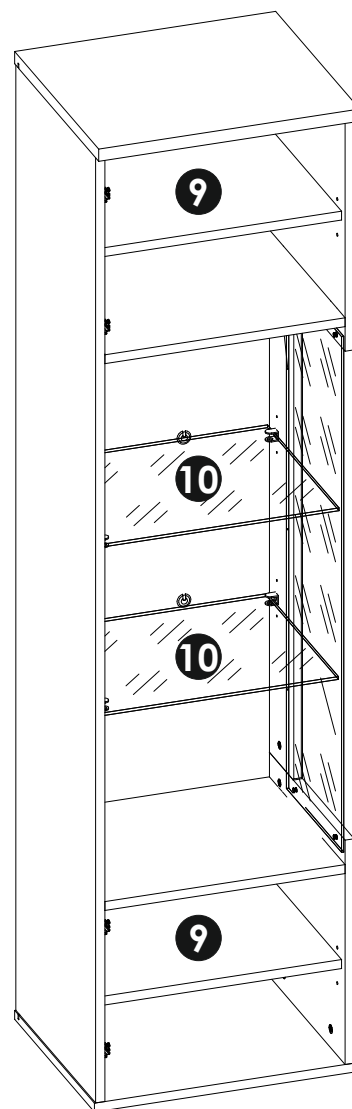




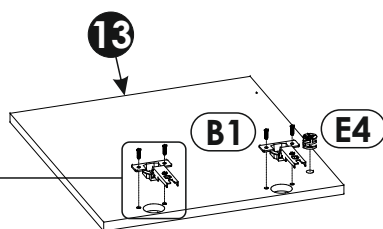
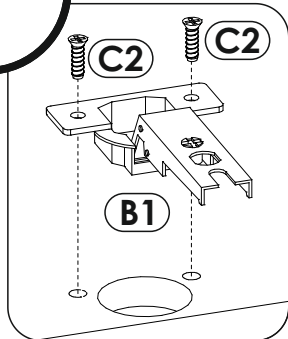
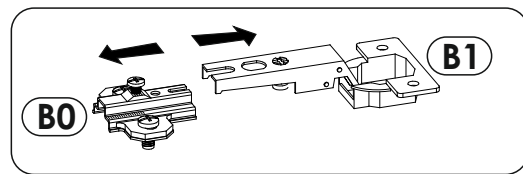
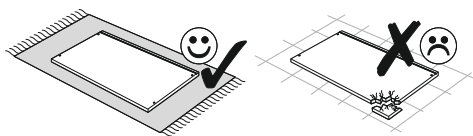
19▶



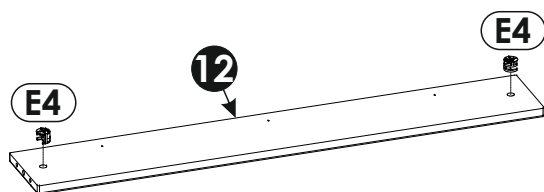
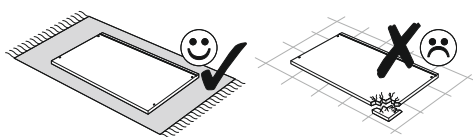
20▶



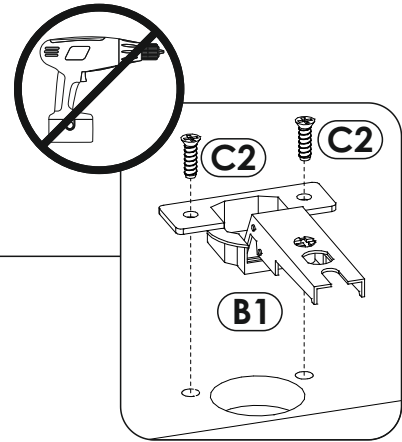
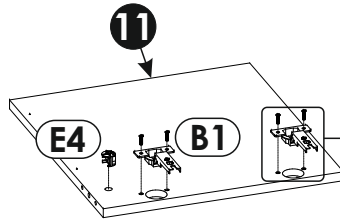
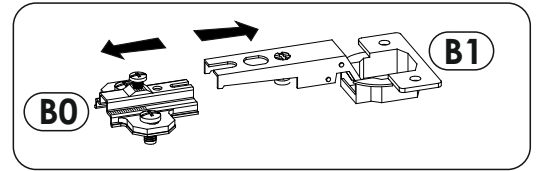
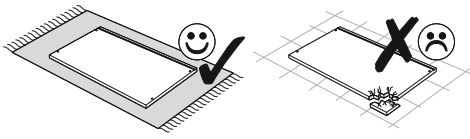
21 ▶



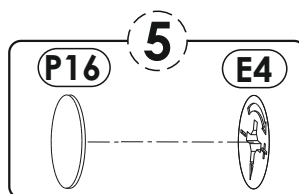
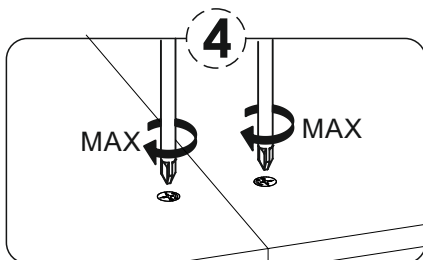
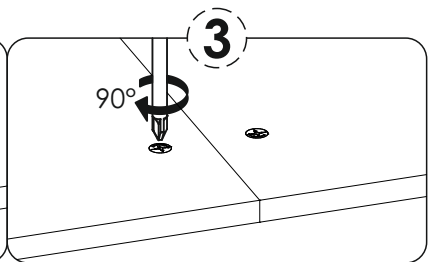
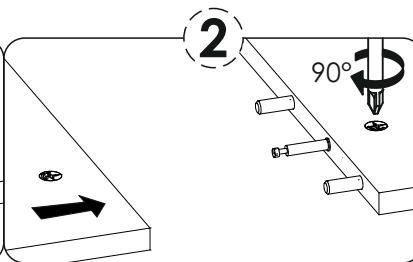
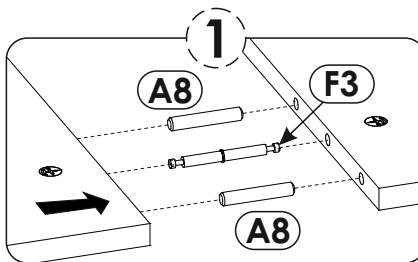
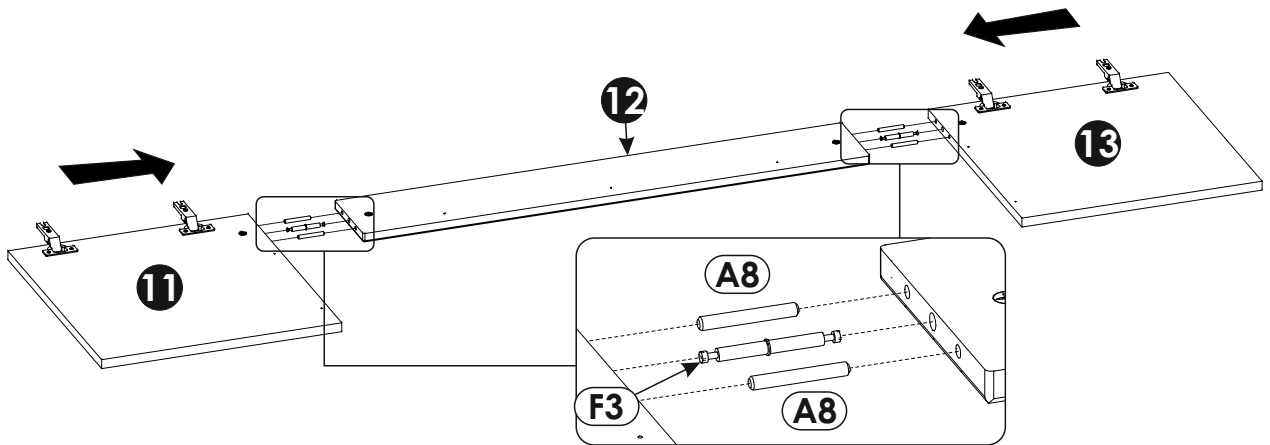
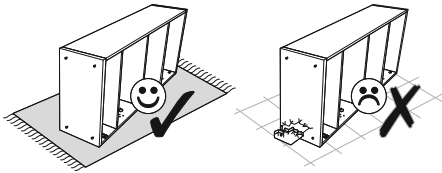
22 ▶



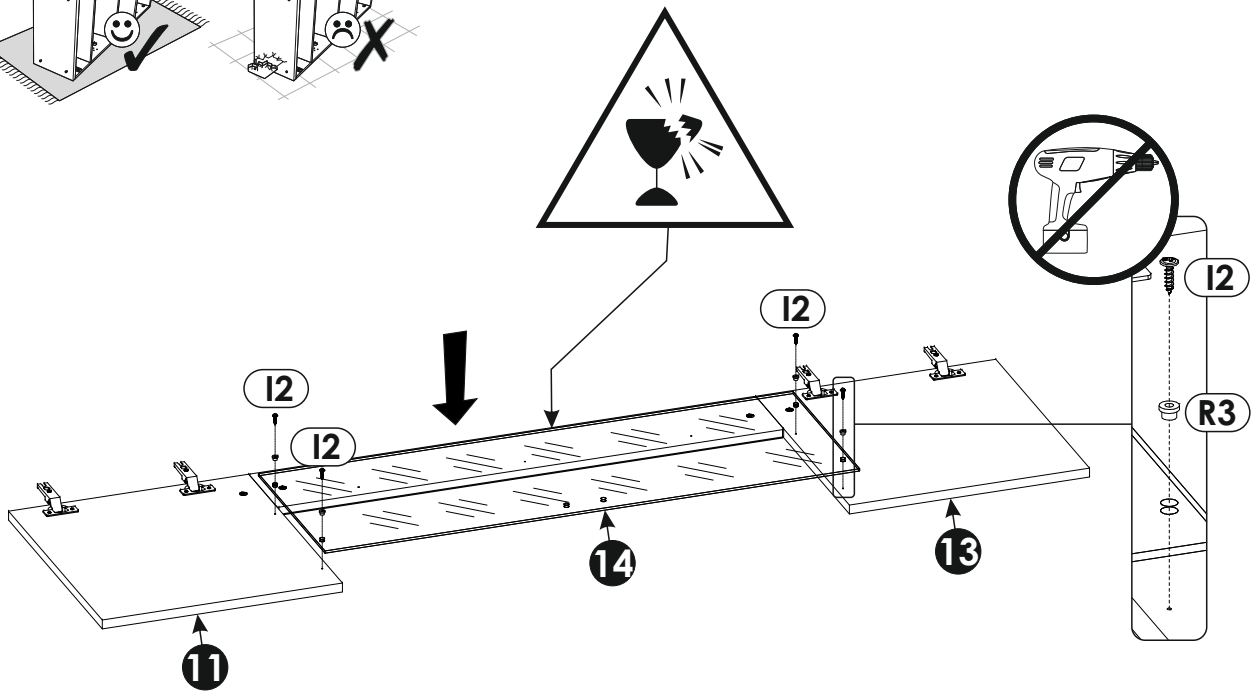
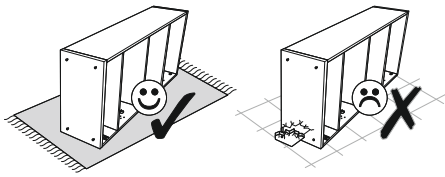
23 ▶



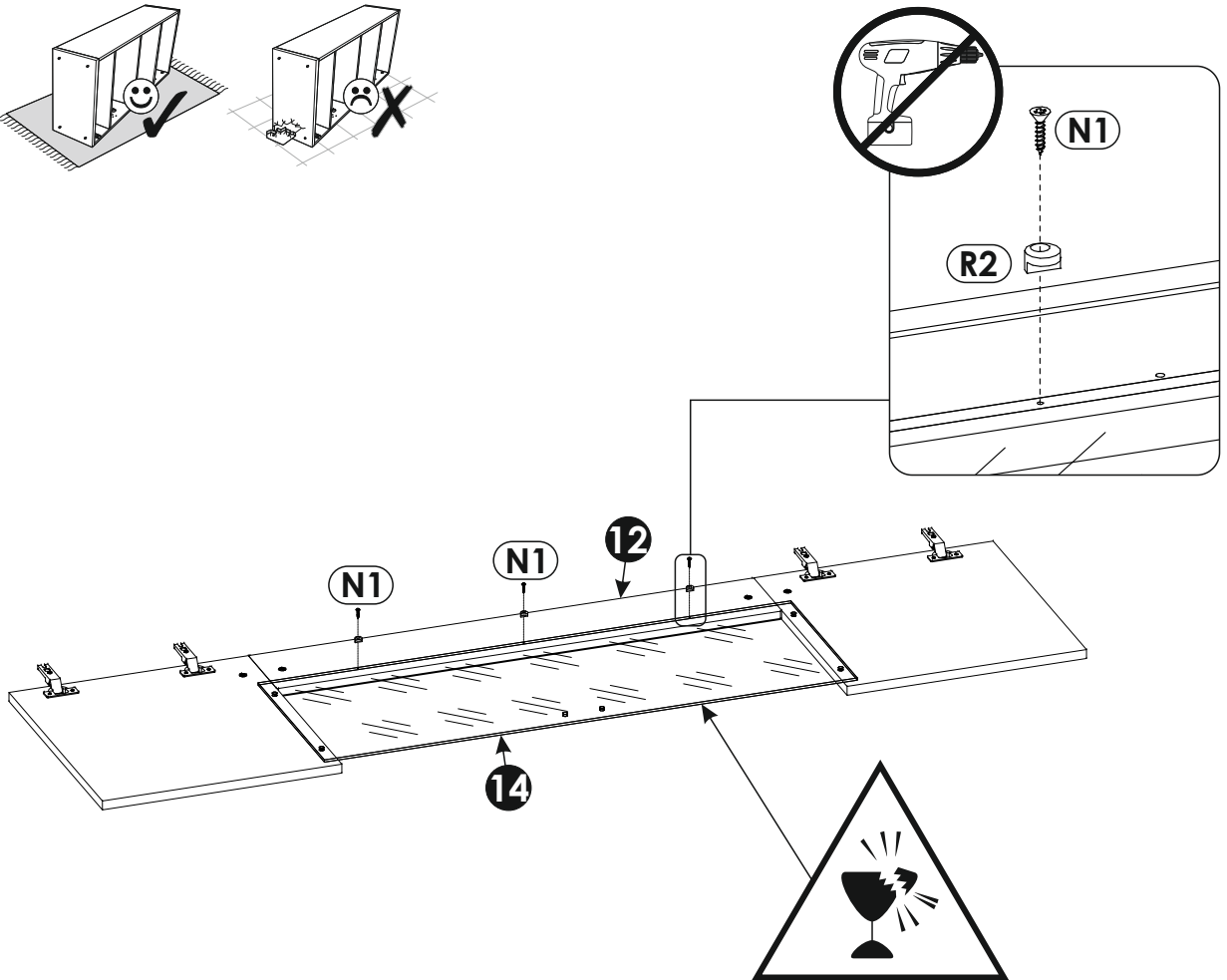
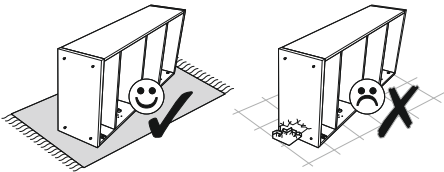
24 ▶



25 ▶

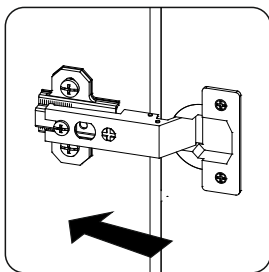
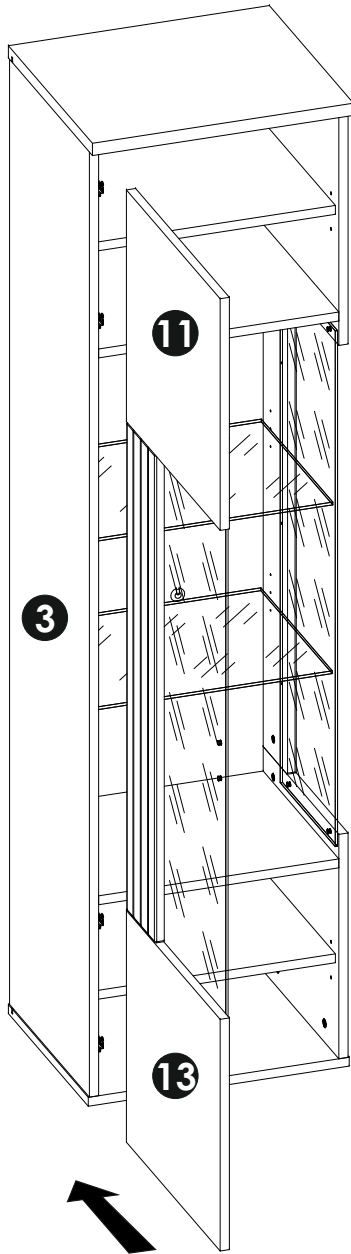


26 ▶

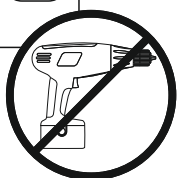
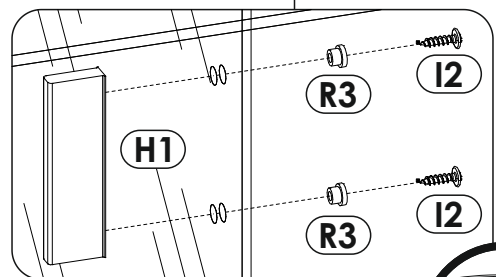
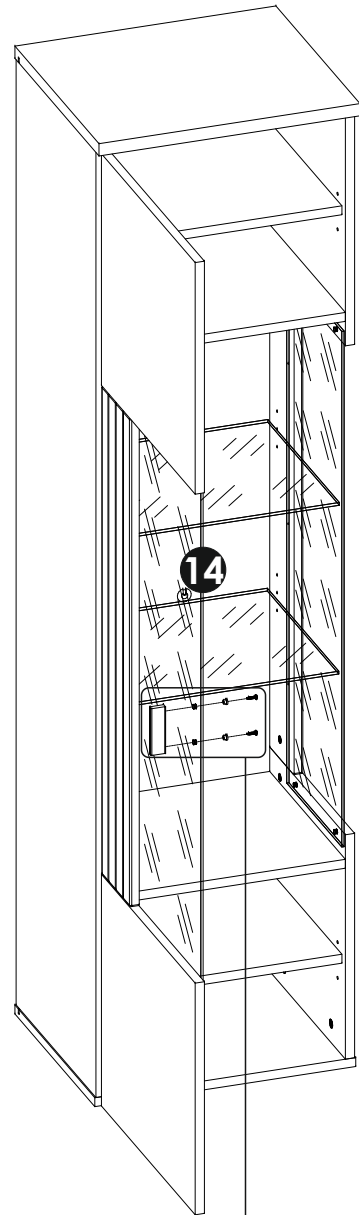




27▶



28▶



29 ▶

