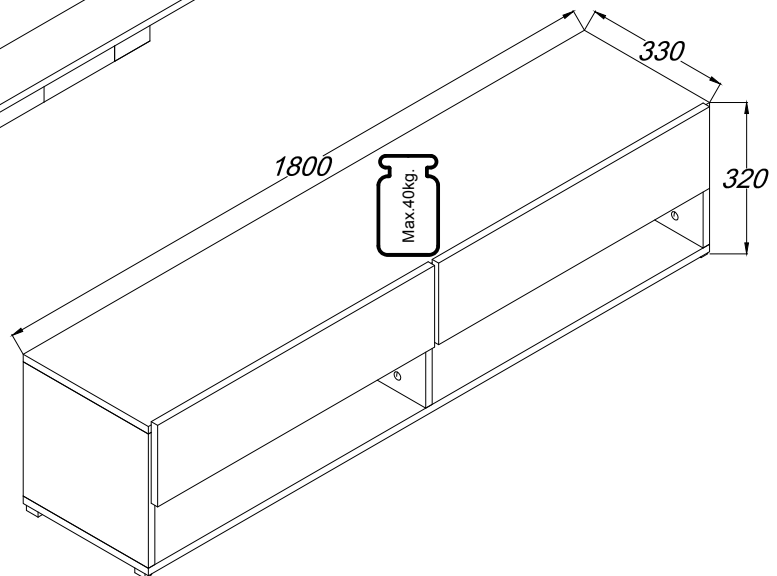
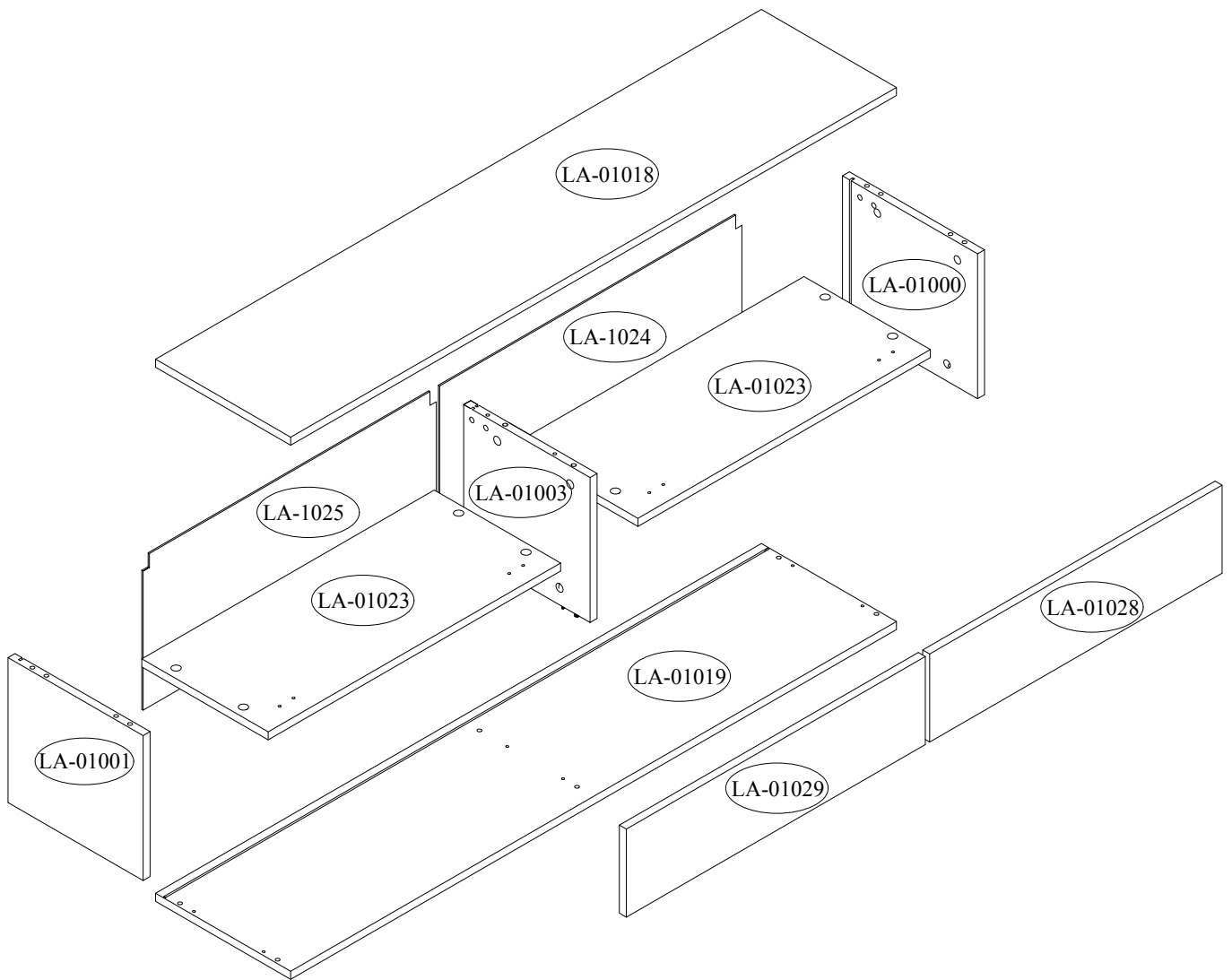
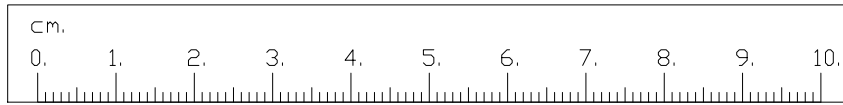
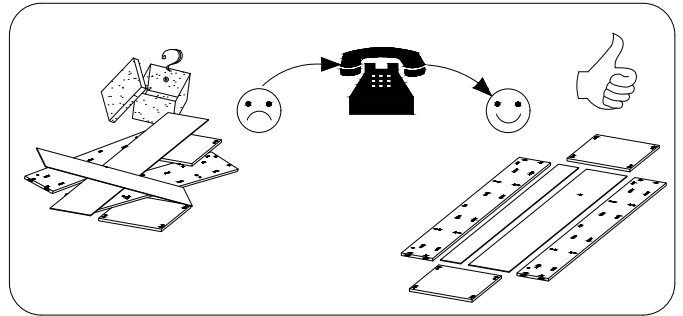
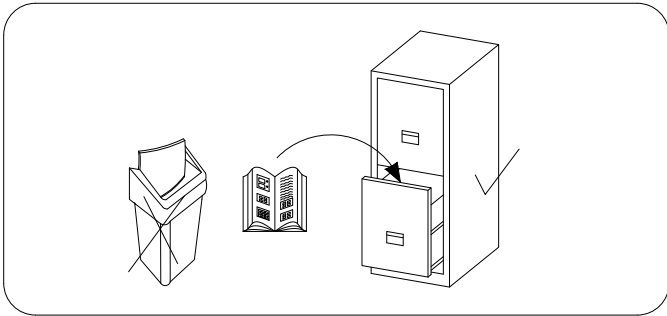
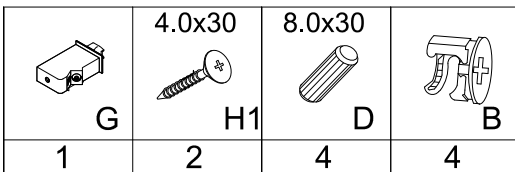
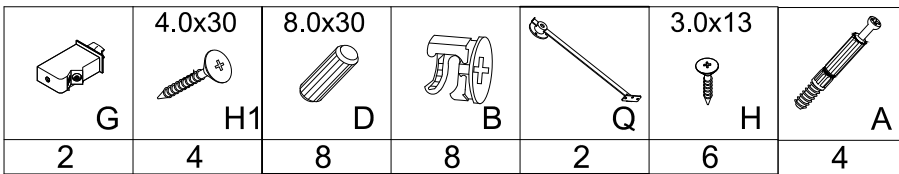
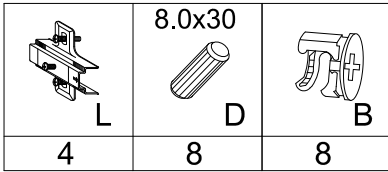
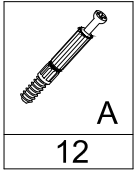


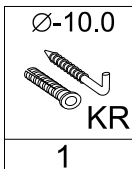
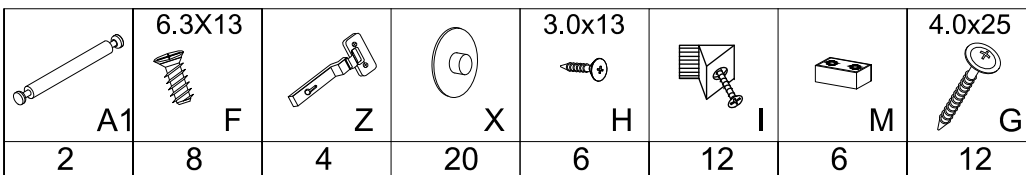
A

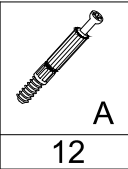
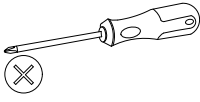






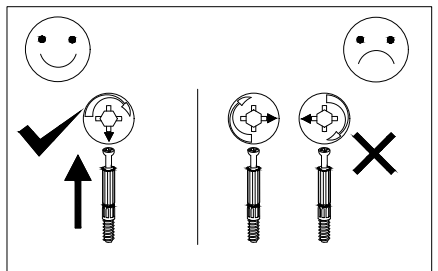
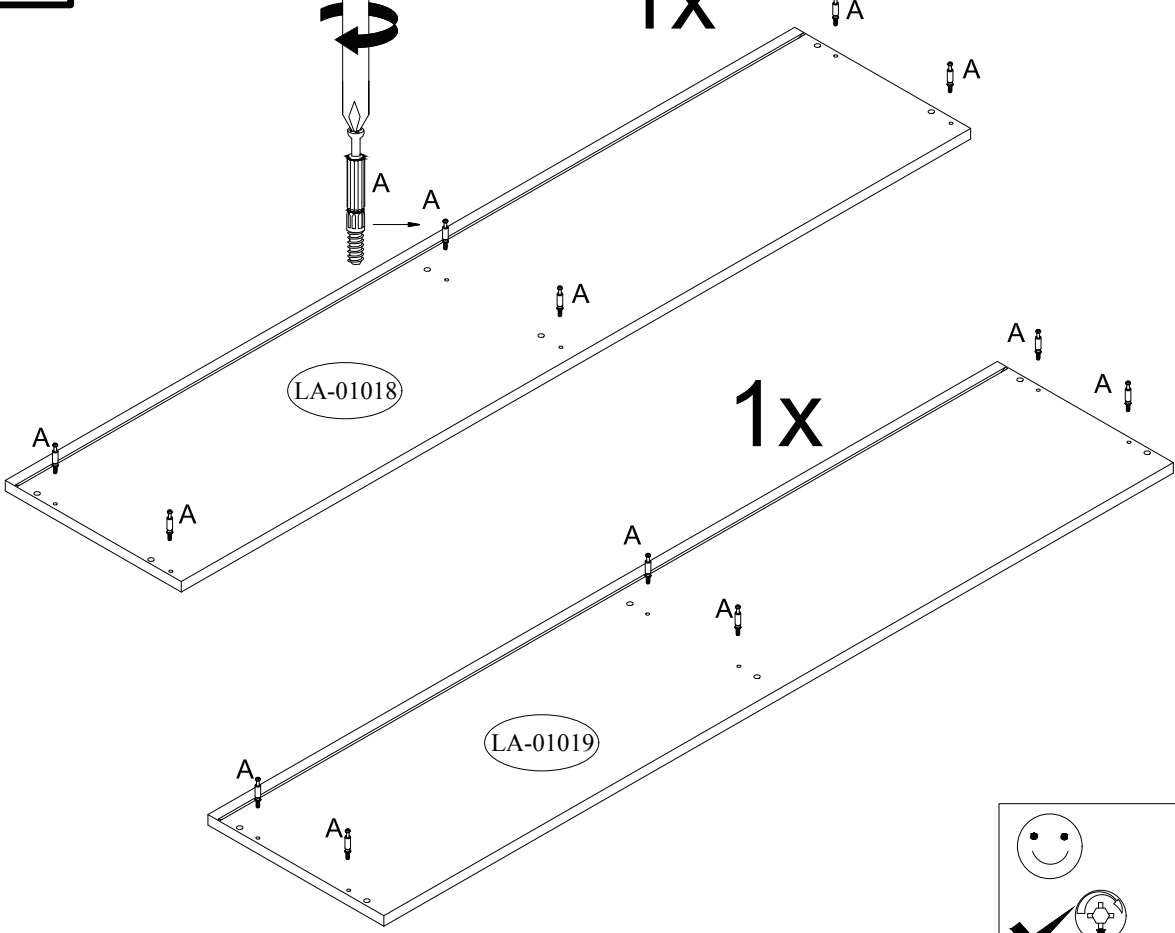
V-VIII-IX-X-XIII



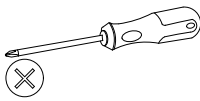


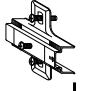


1x

1x



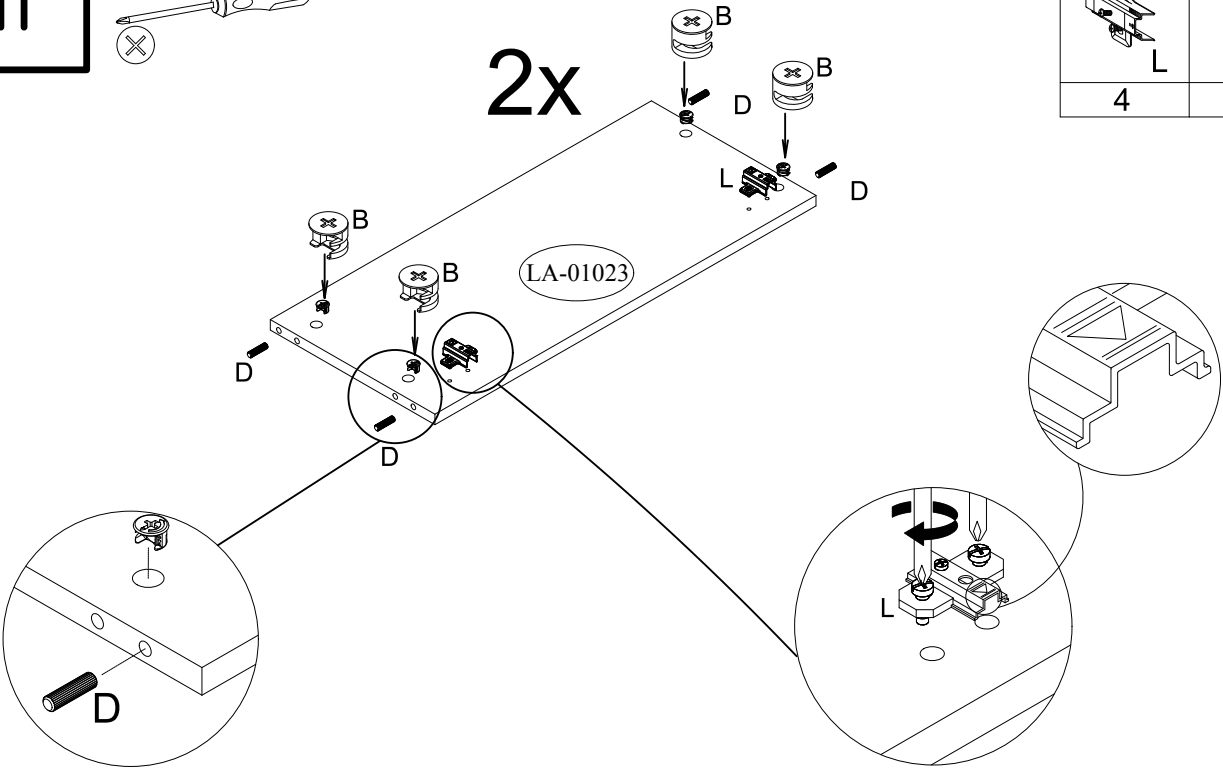
II

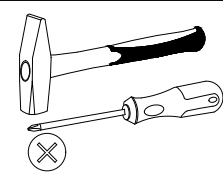
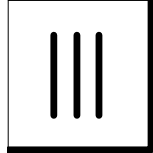


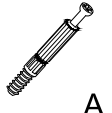

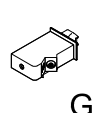
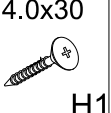


| | | |
|---|---|---|
|  | 8.0x30  |  |
| L | D | B |
| 4 | 8 | 8 |

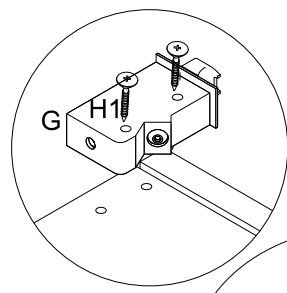
2x

LA-01023

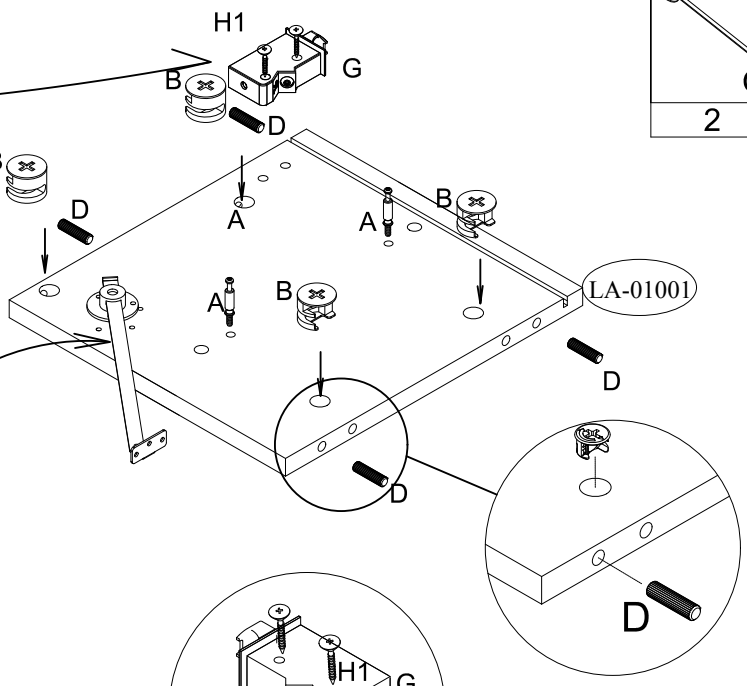
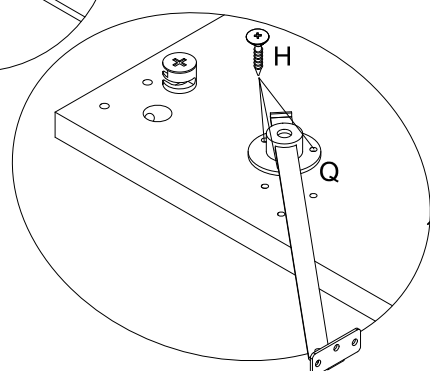


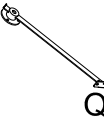


| | | | | | |
|--|--|--|--|--|--|
|  | 3.0x13  |  | 4.0x30  | 8.0x30  |  |
| A | H | G | H1 | D | B |
| 4 | 6 | 2 | 4 | 8 | 8 |

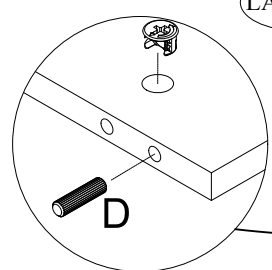


1x

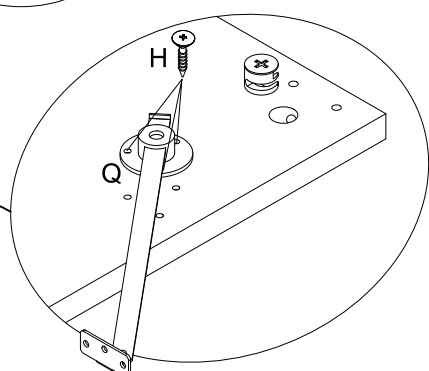
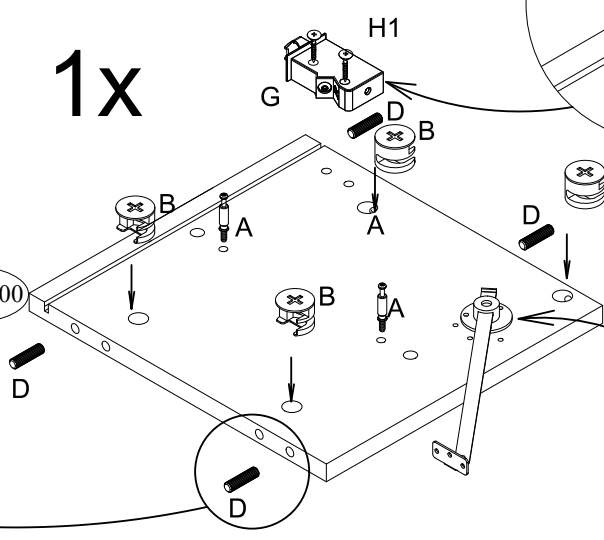


| |
|---|
|  |
| Q |
| 2 |

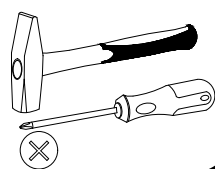
1x

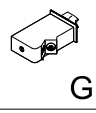
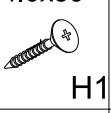
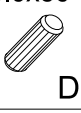



LA-01000

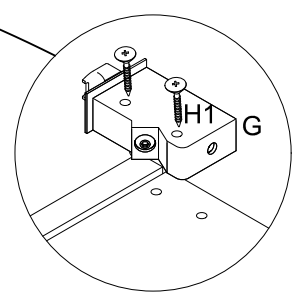
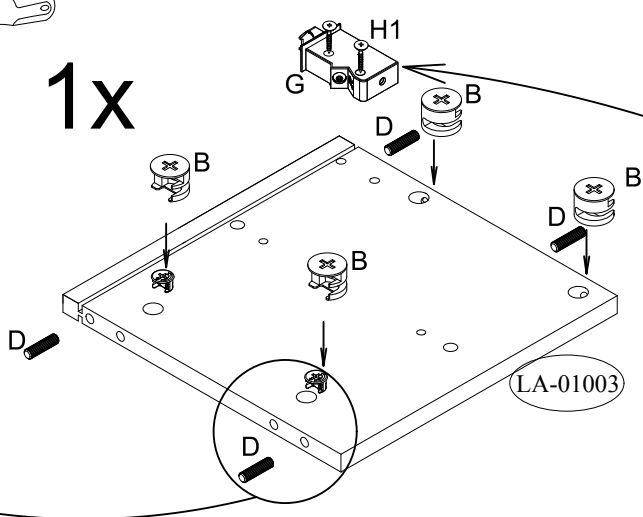
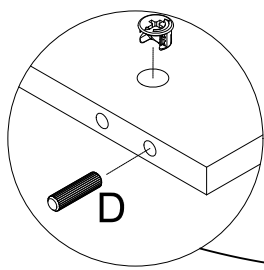


IV

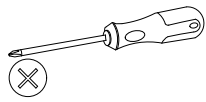


| | | | |
|---|---|---|---|
|  | 4.0x30  | 8.0x30  |  |
| G | H1 | D | B |
| 1 | 2 | 4 | 4 |

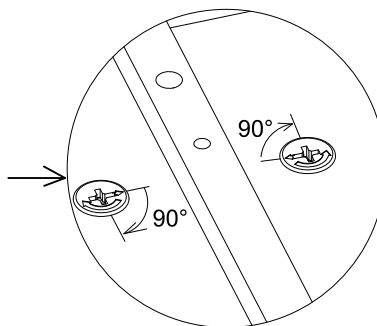
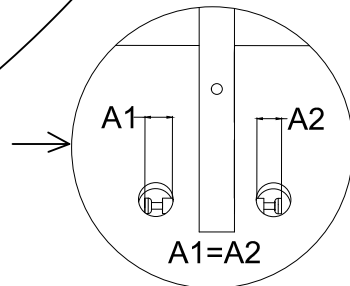
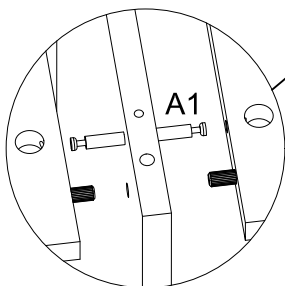
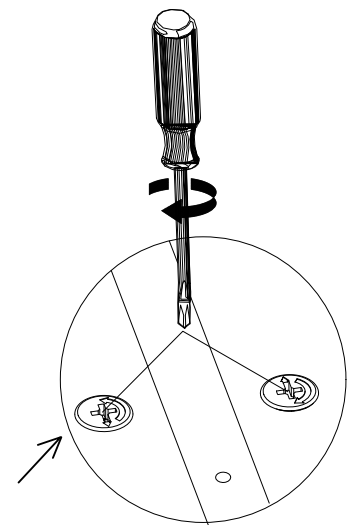
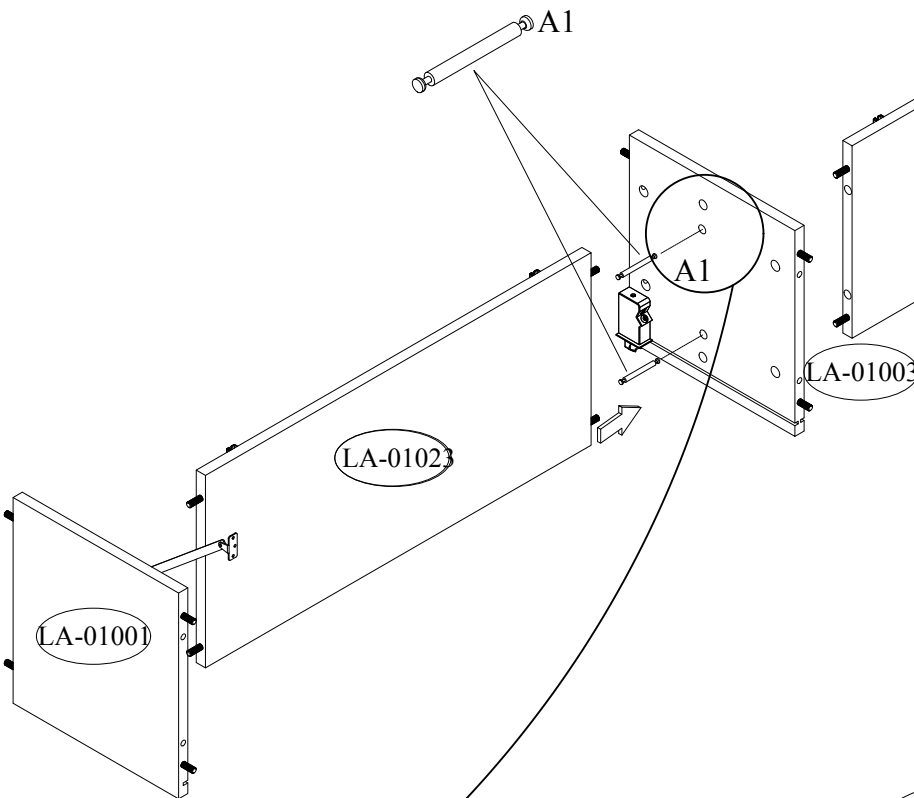
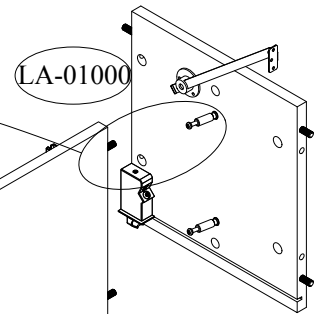
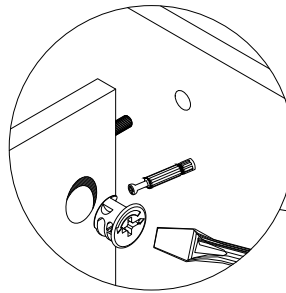
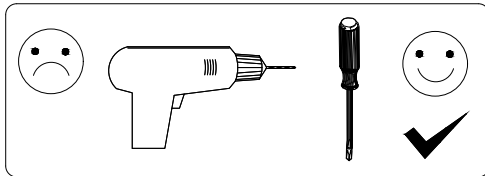
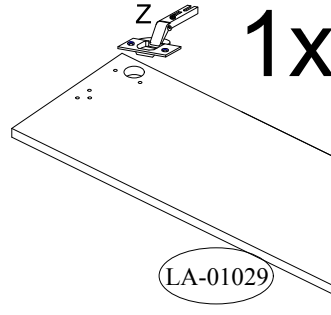
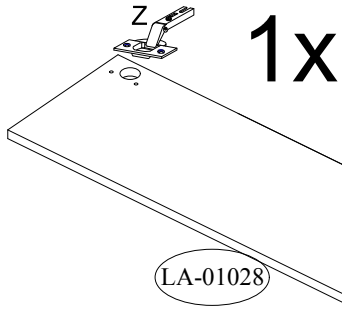
1x



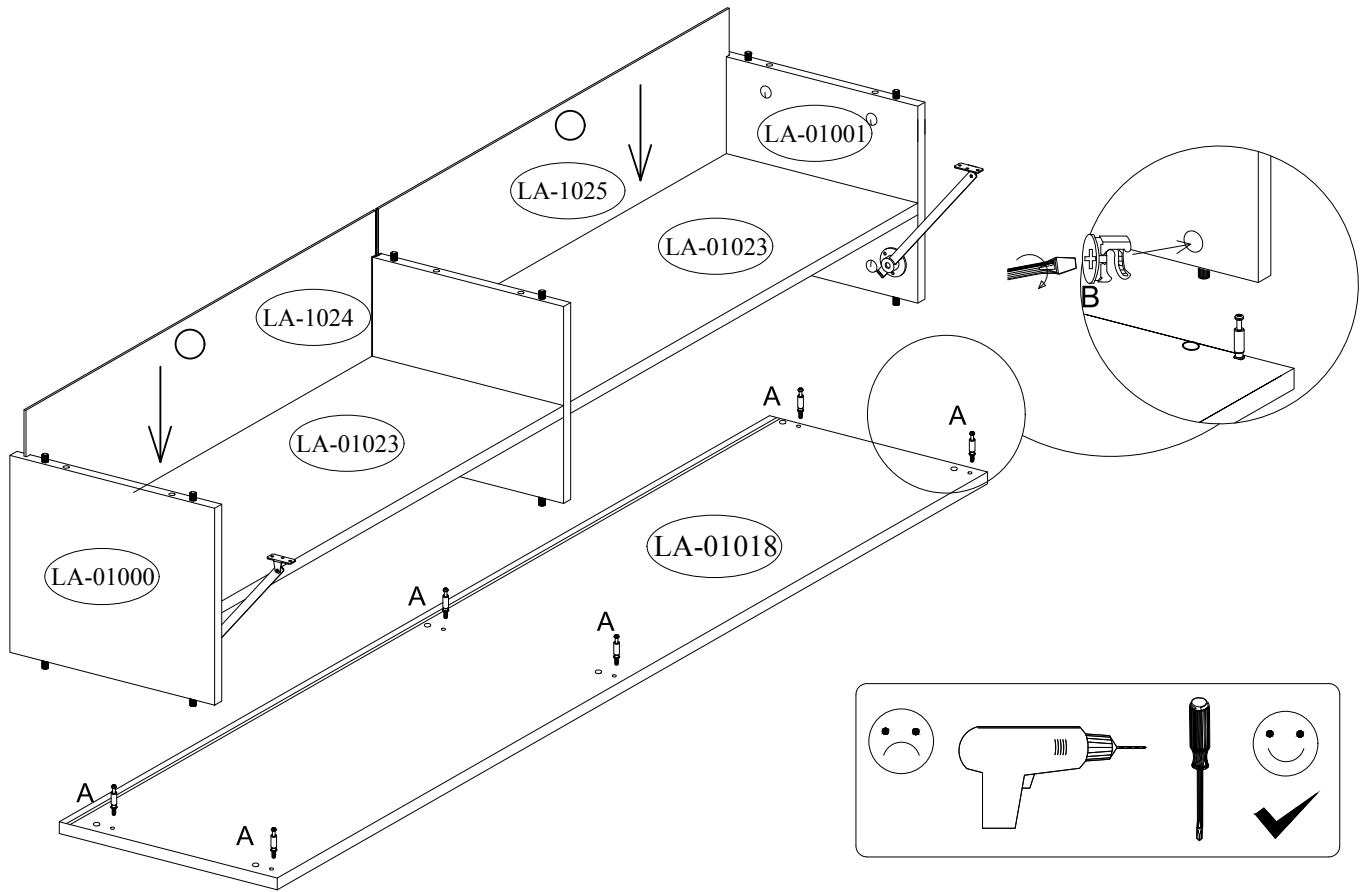
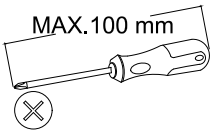
V



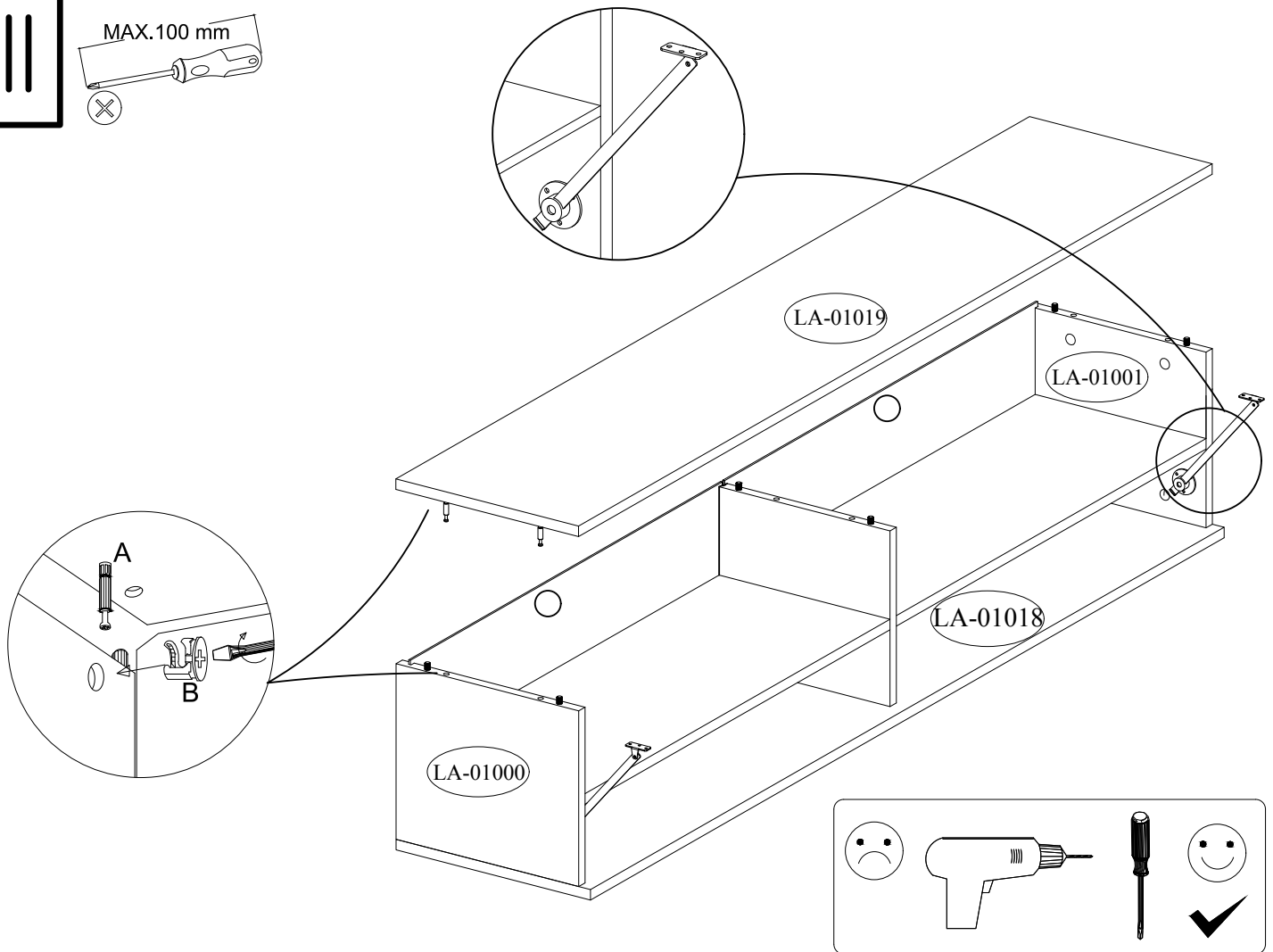
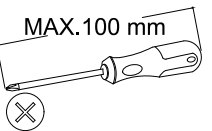
| | | |
|----|------------|---|
| | 6.3X13 | |
| A1 | F | Z |
| 2 | 8 | 4 |



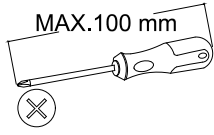
VI



VII



VIII

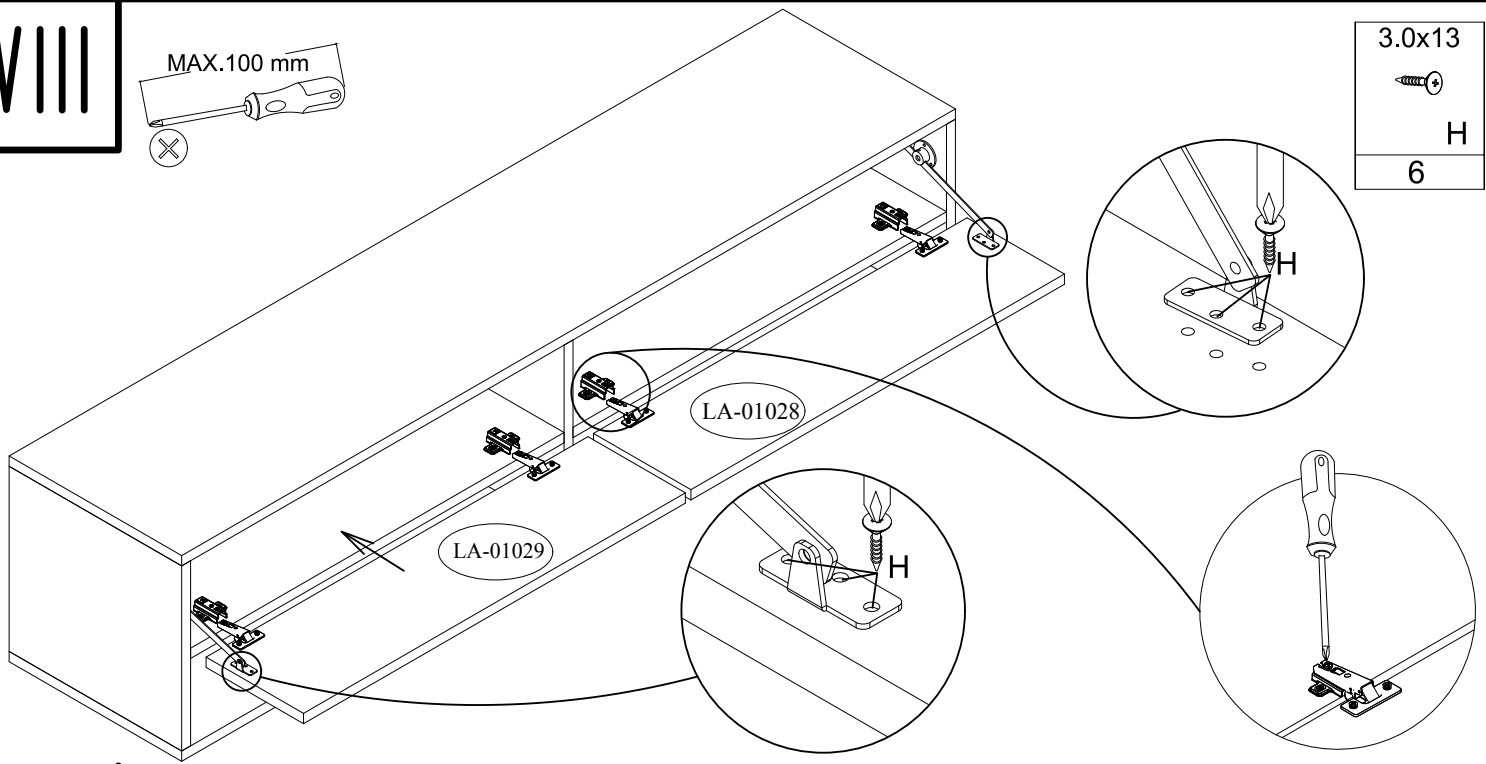


3.0x13

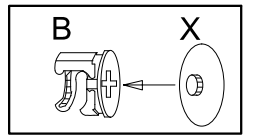
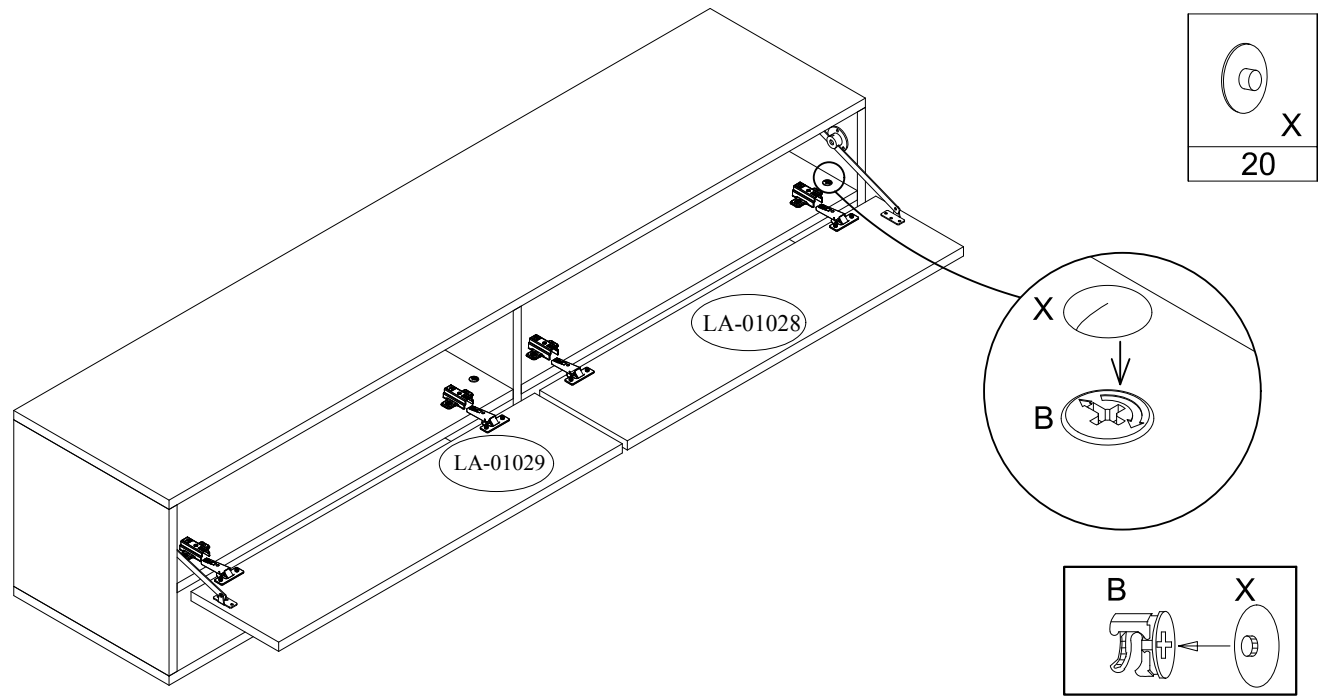
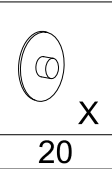


H

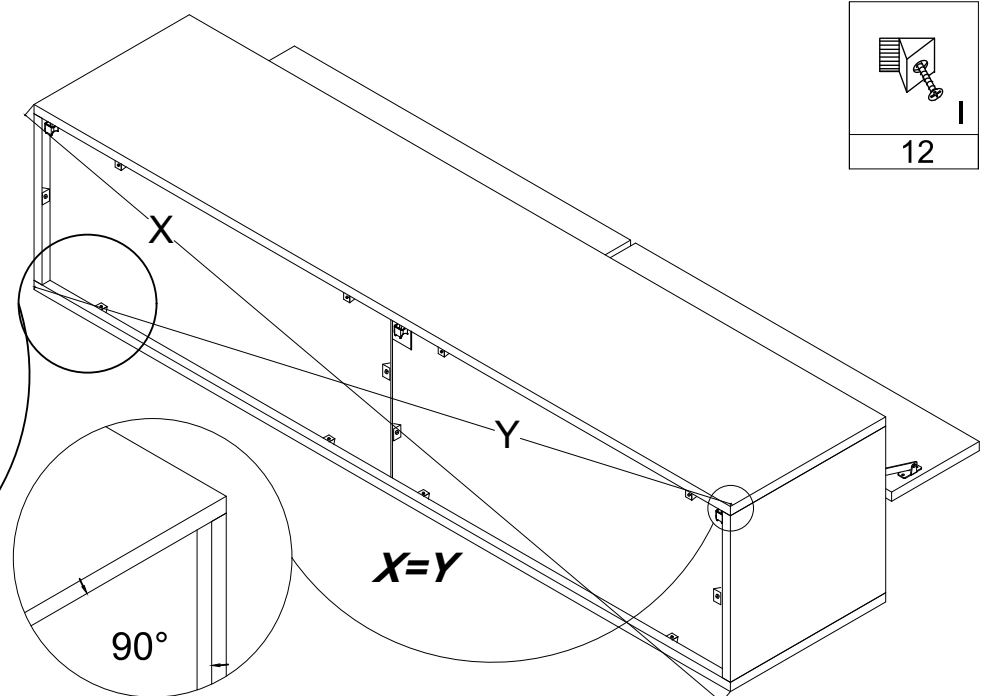
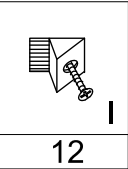
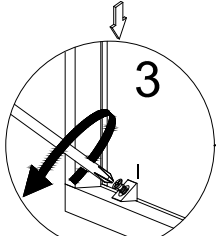
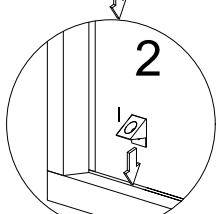
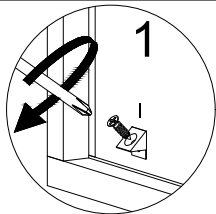
6



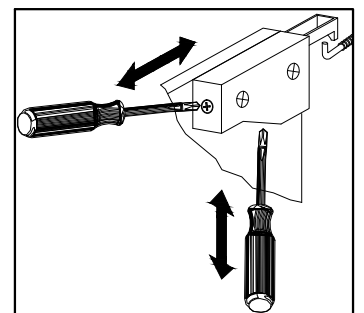
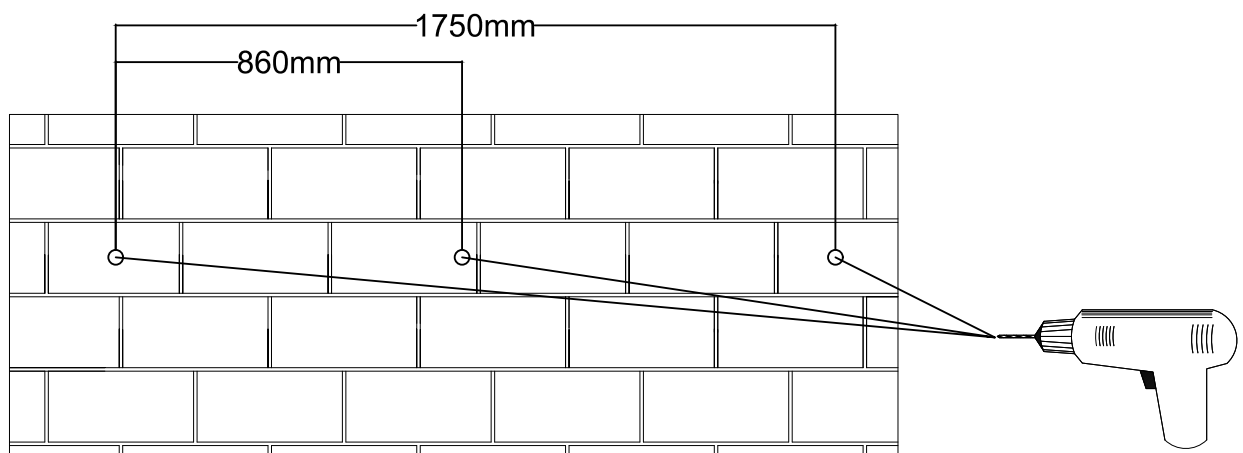
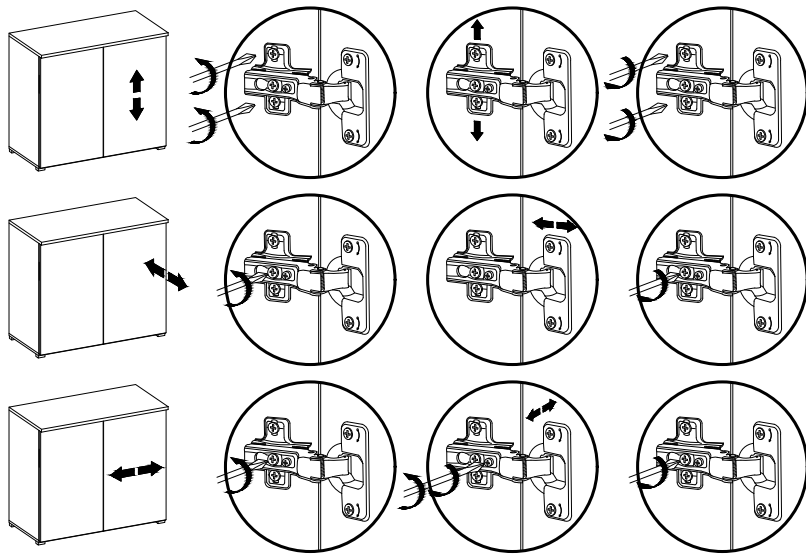
IX

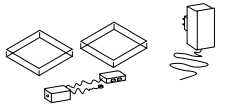


X

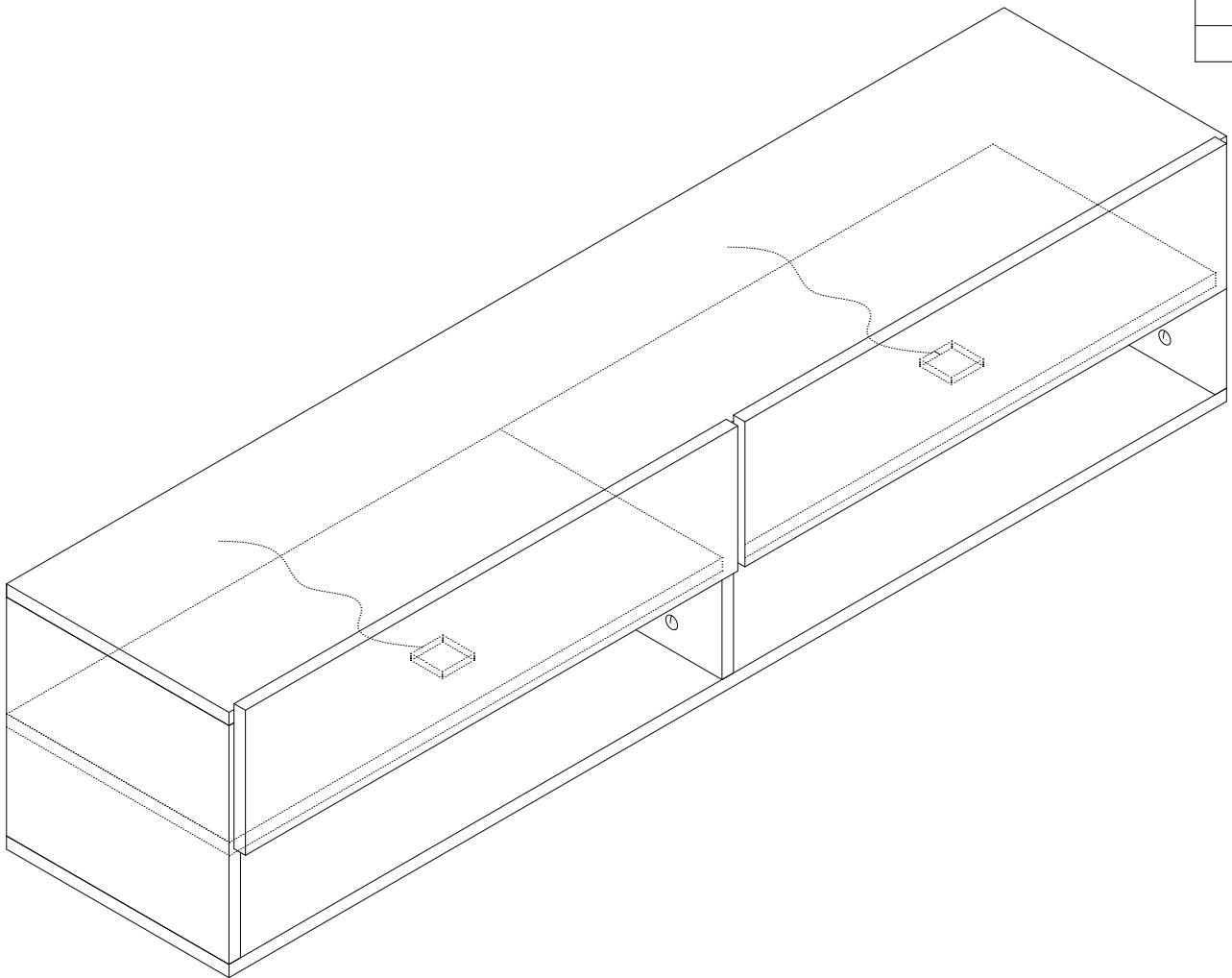


XI



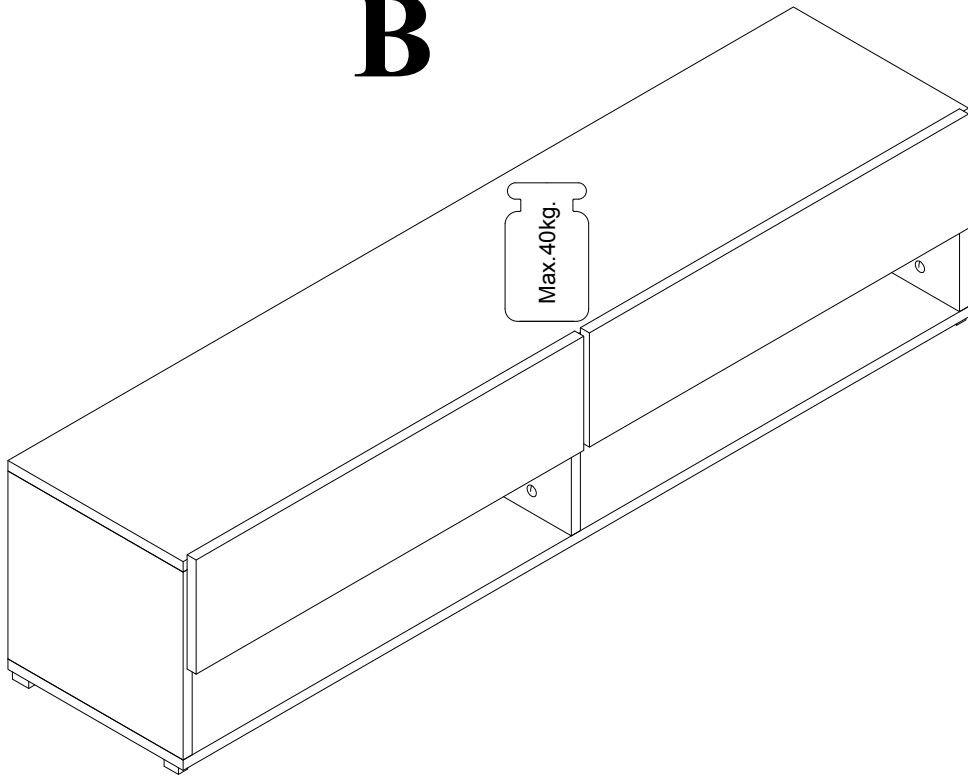


1 kpl.

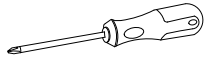




XII

B



XIII



| | |
|---|---|
|  | 4.0x25  |
| M | G |
| 6 | 12 |

