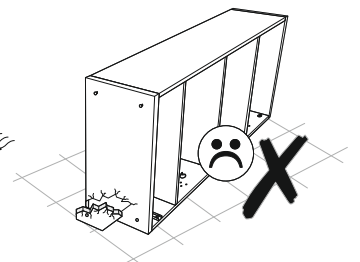
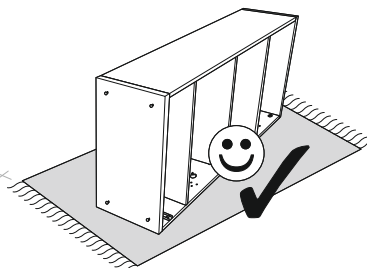
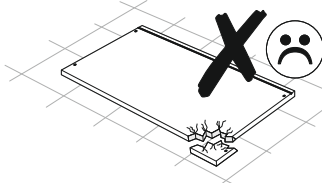
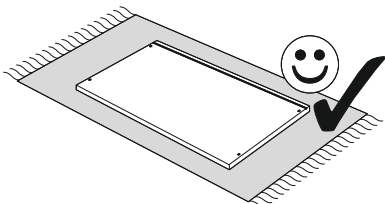
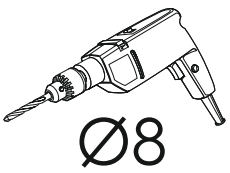
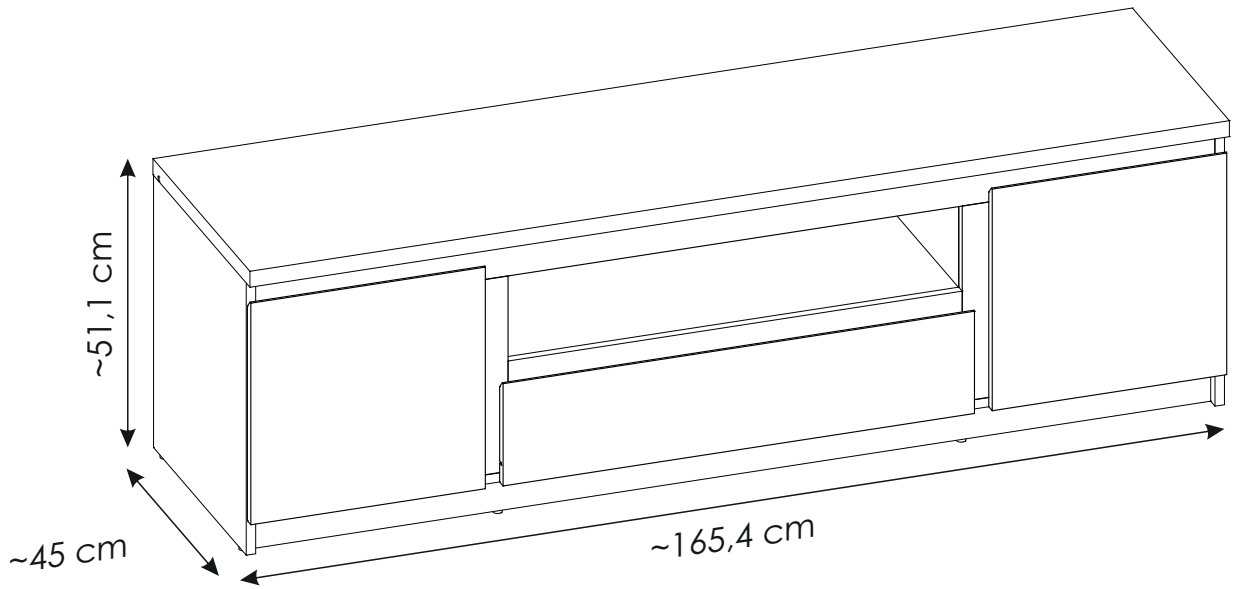
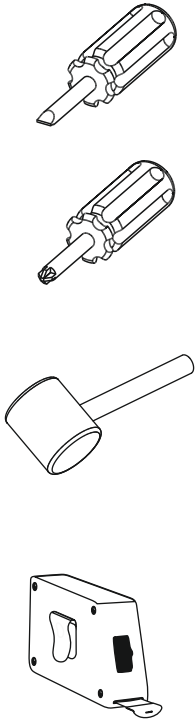
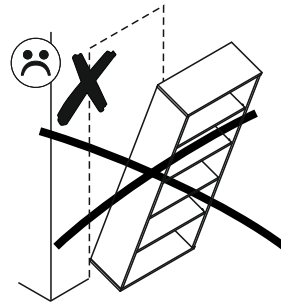
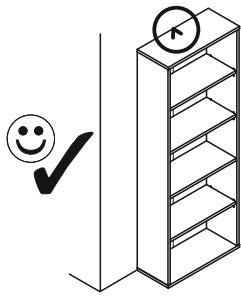
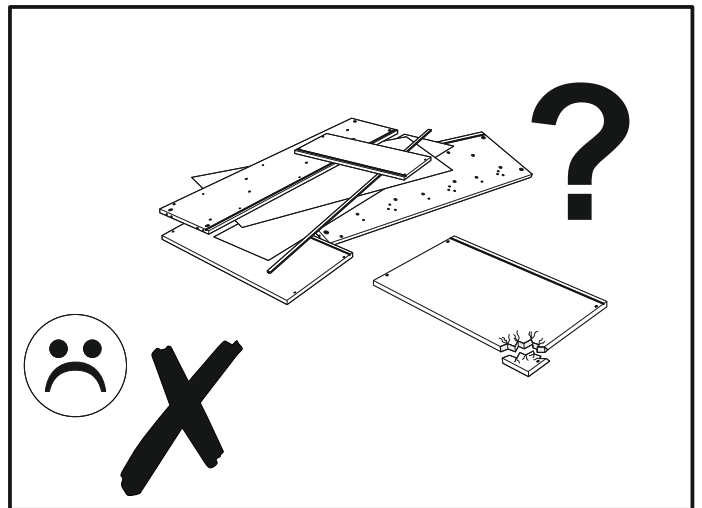
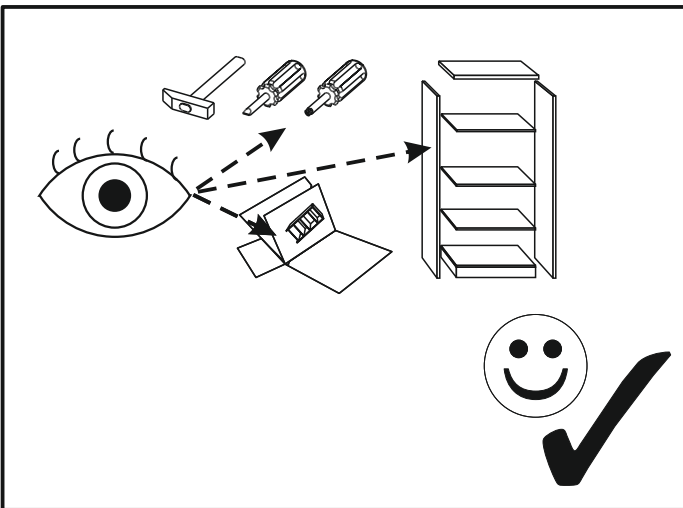


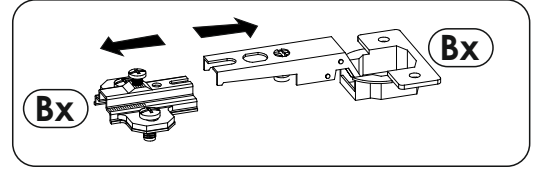
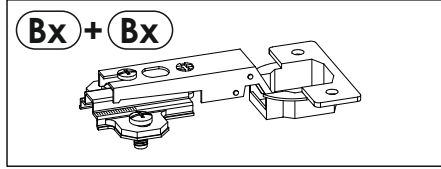
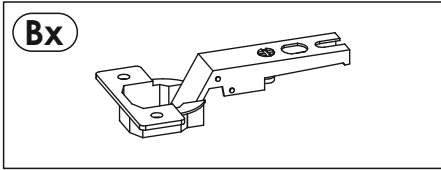
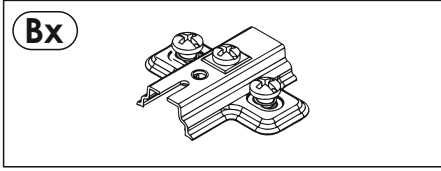


110 min









MM

260

250

240

230

220

210

200

190

180

170

160

150

140

130

120

110

100

90

80

70

60

50



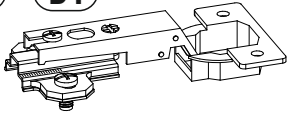


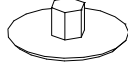

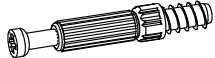
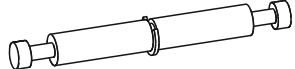

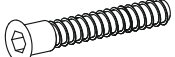
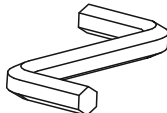
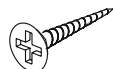
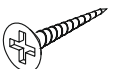
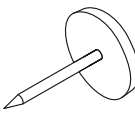
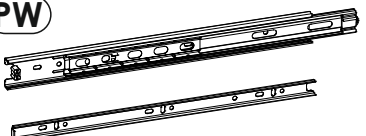
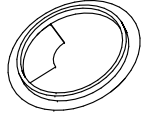
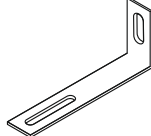
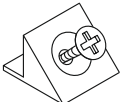
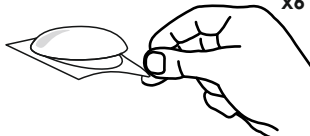
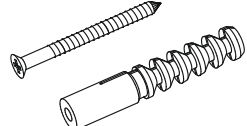
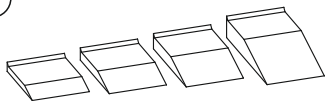
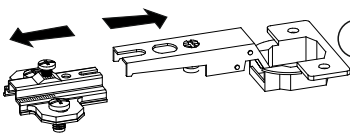
40

30

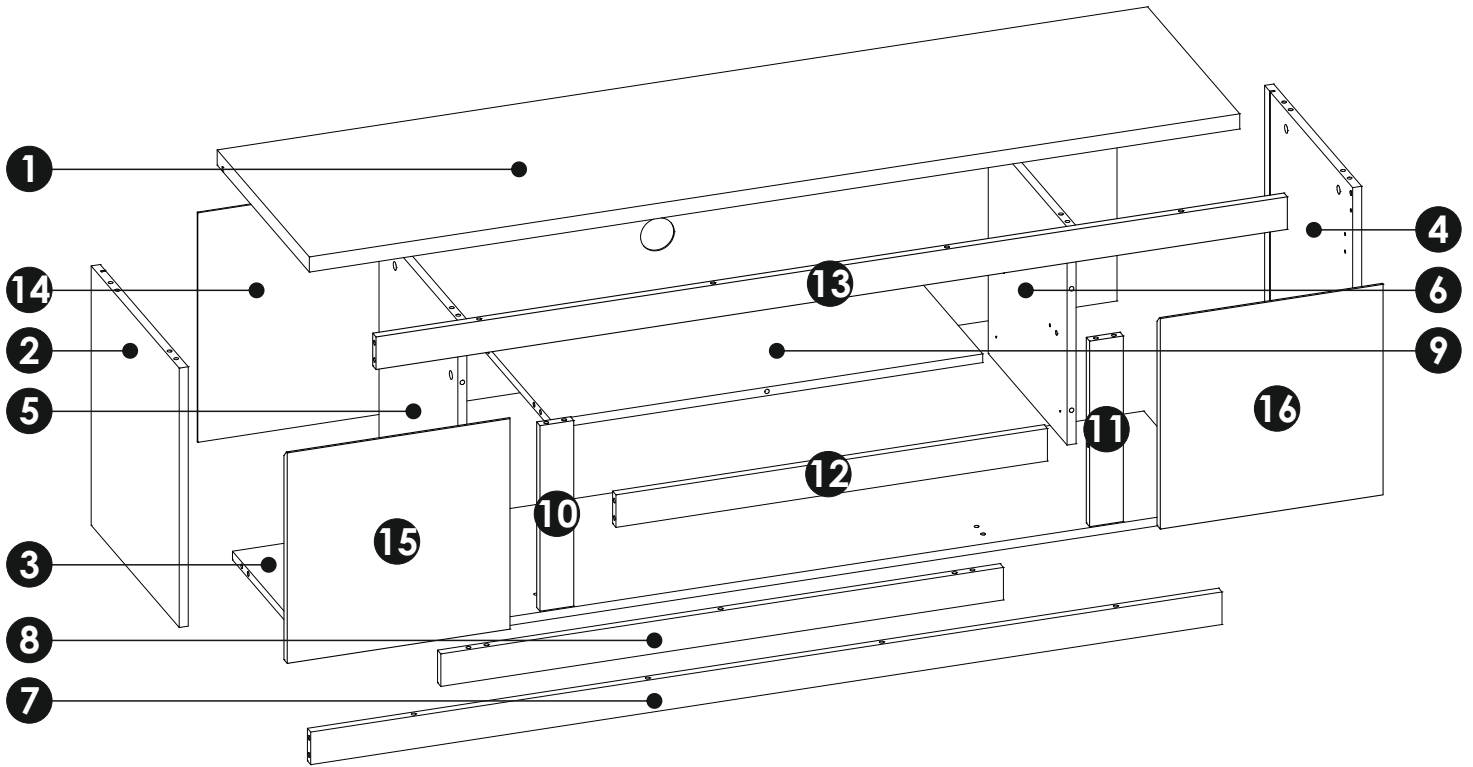
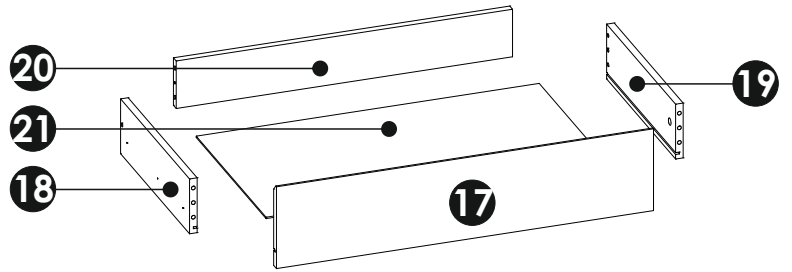
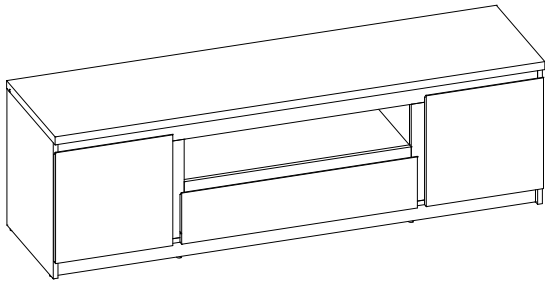
20

10

0

<p>A1 8 x 35 mm x36</p> 	<p>A2 8 x 45 mm x4</p> 	<p>B0 + B1 x4</p> 
<p>C1 4 x 13 mm x8</p> 	<p>C2 5 x 13 mm x4</p> 	<p>E0 Ø16 x14</p> 
<p>E1 15 x 12 mm x44</p> 	<p>F1 6 x 34 mm x36</p> 	<p>F3 7 x 58 mm x4</p> 
<p>I2 4 x 16 mm x2</p> 	<p>G1 7 x 50 mm x6</p> 	<p>M x1</p> 
<p>N1 3 X 16 mm x20</p> 	<p>N2 3,5 X 16 mm x6</p> 	<p>O2 x9</p> 
<p>PW x2</p> 	<p>P24 x1</p> 	<p>Q9 x2</p> 
<p>R4 x8</p> 	<p>R8 x6</p> 	<p>S13 x2</p> 
<p>Z x1</p> 	<p>B0 B1</p> 	





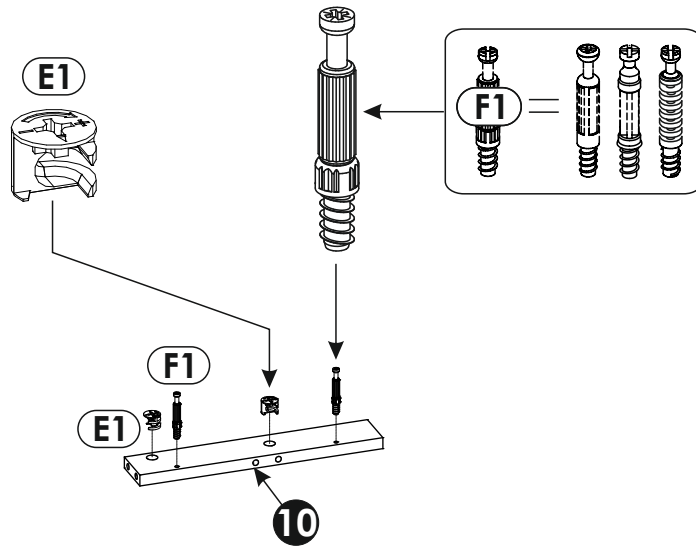
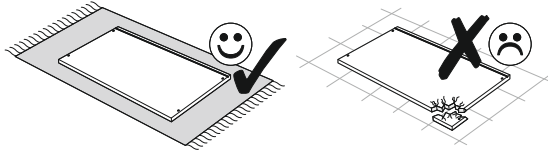
1	1654	450	28	x1	2/2
2	478	430	16	x1	1/2
3	1620	402	16	x1	2/2
4	478	430	16	x1	1/2
5	402	385	16	x1	1/2
6	402	385	16	x1	1/2
7	1620	60	16	x1	2/2

8	1000	60	16	x1	2/2
9	767	385	16	x1	1/2
10	342	60	16	x1	1/2
11	342	60	16	x1	1/2
12	767	60	16	x1	1/2
13	1620	60	16	x1	2/2
14	423	1634	3	x1	2/2

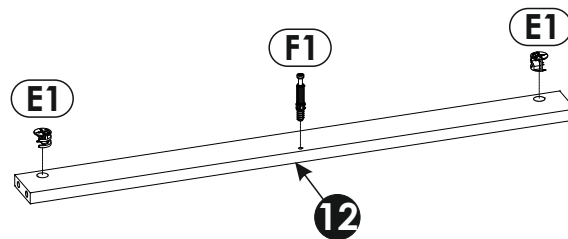
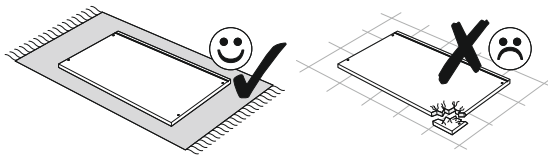
15	388	396	16	x1	1/2
16	388	396	16	x1	1/2
17	796	179	16	x1	1/2
18	400	120	16	x1	1/2
19	400	120	16	x1	1/2
20	710	104	16	x1	1/2
21	724	405	3	x1	1/2



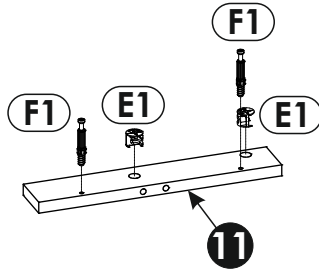
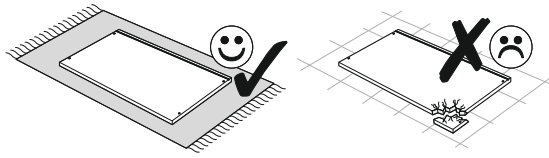
1 ▶



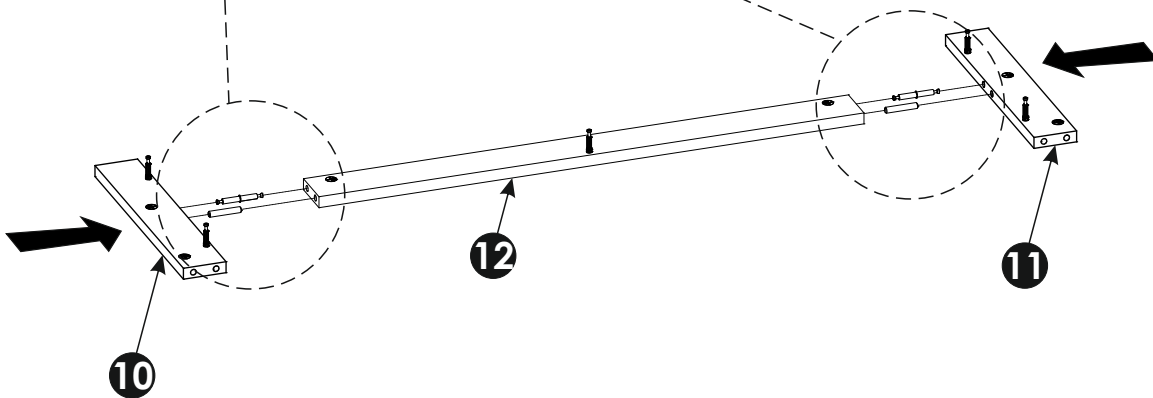
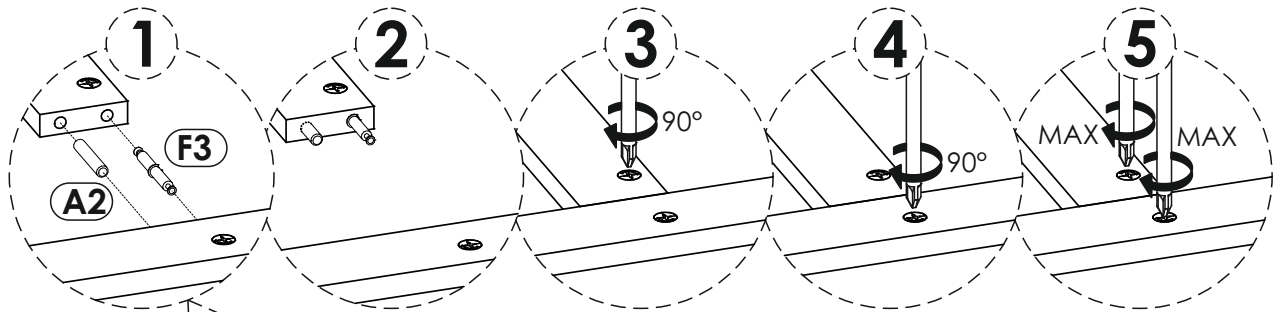
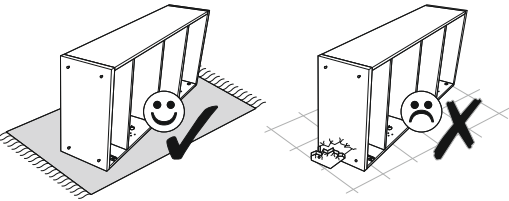
2 ▶



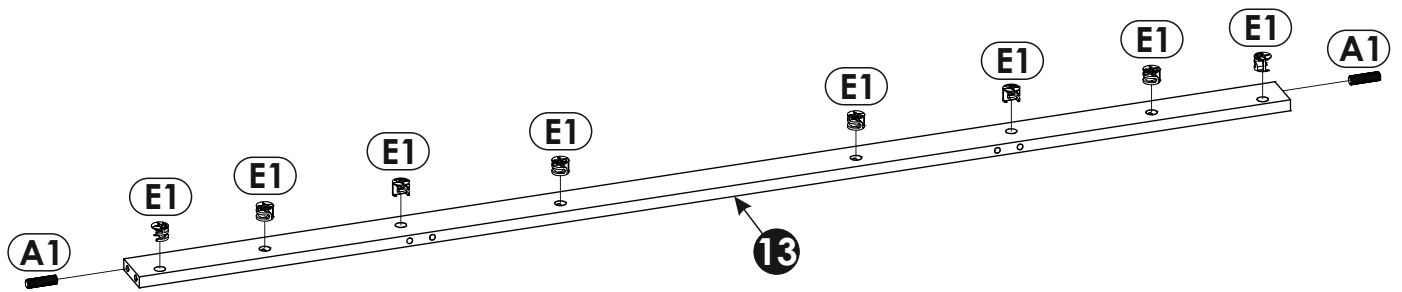
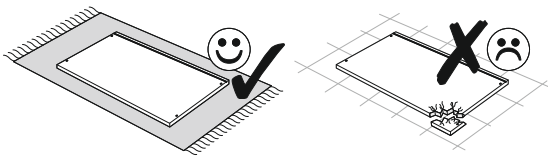
3 ▶



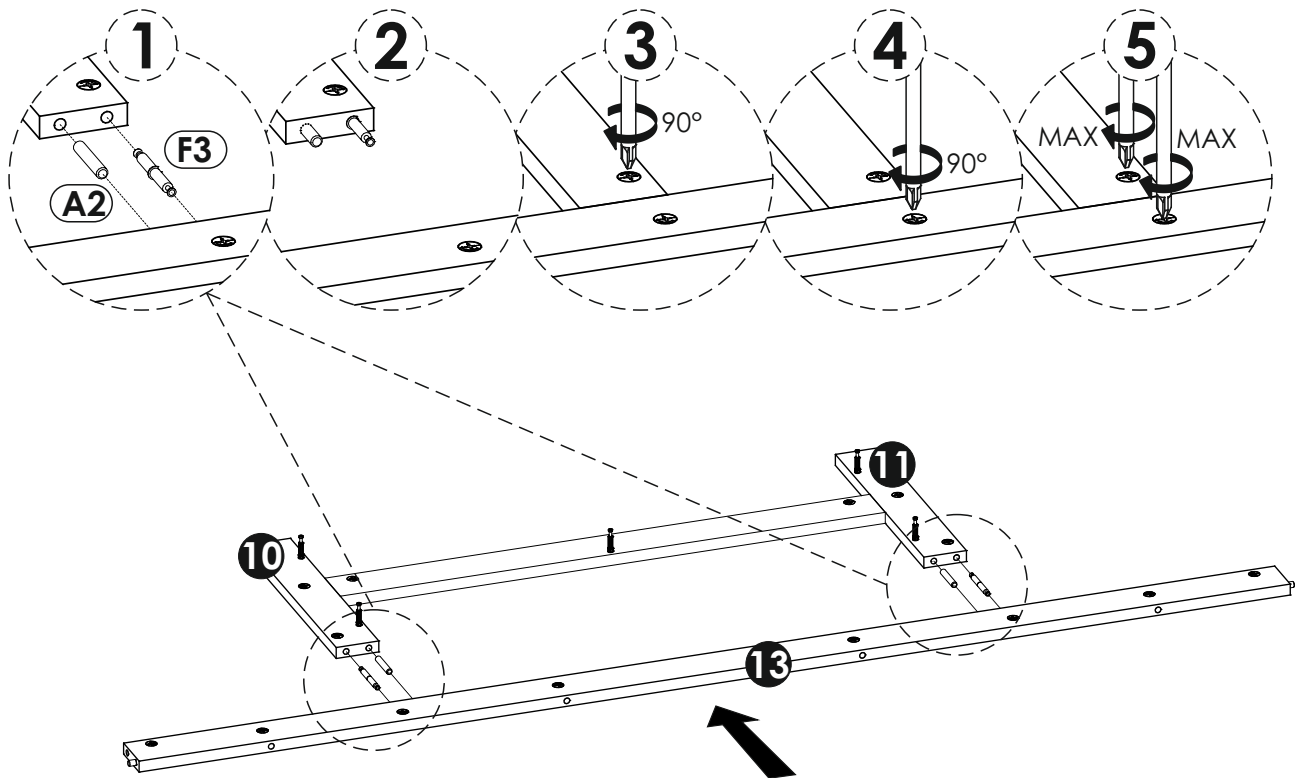
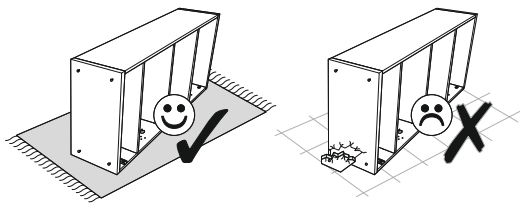
4 ▶

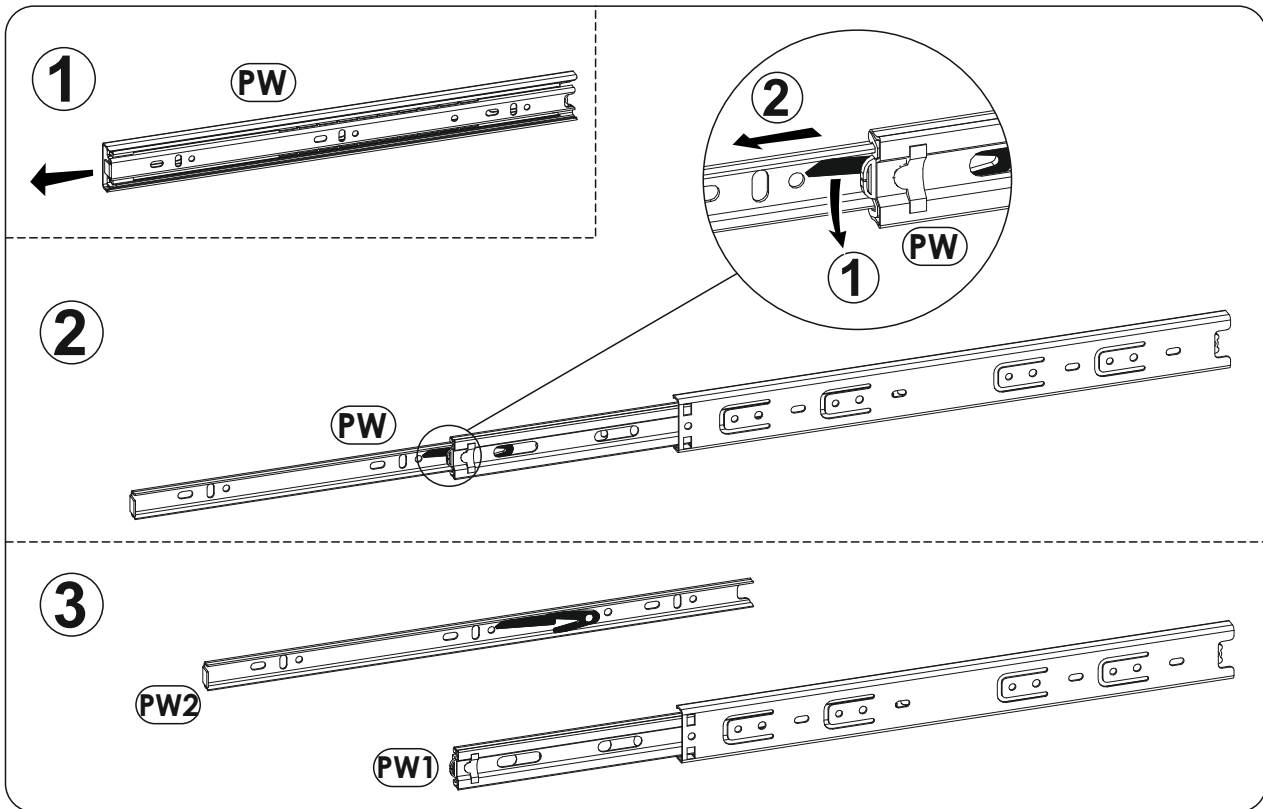


5 ▶

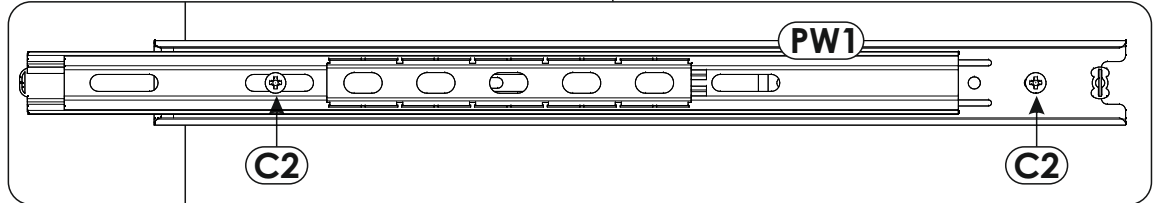
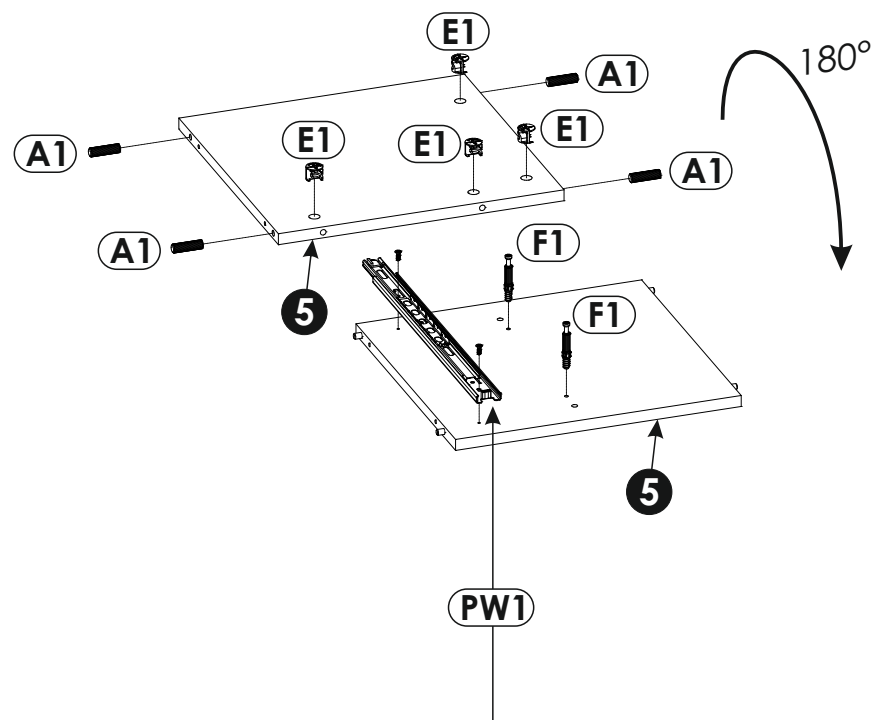
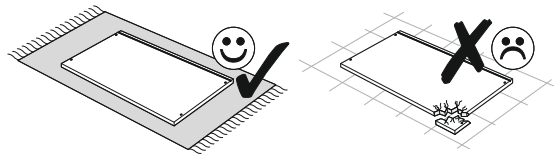


6 ▶

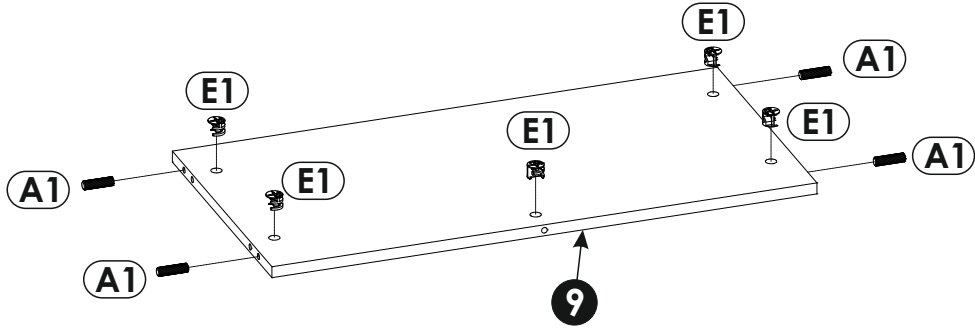
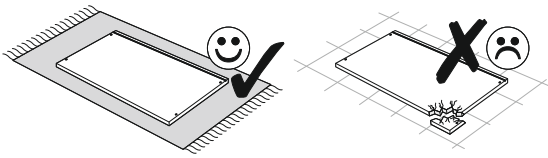




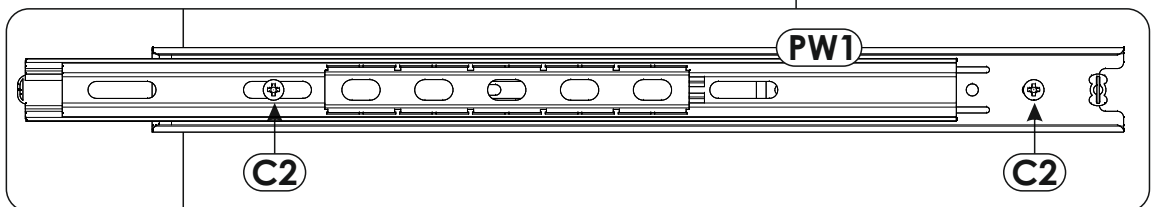
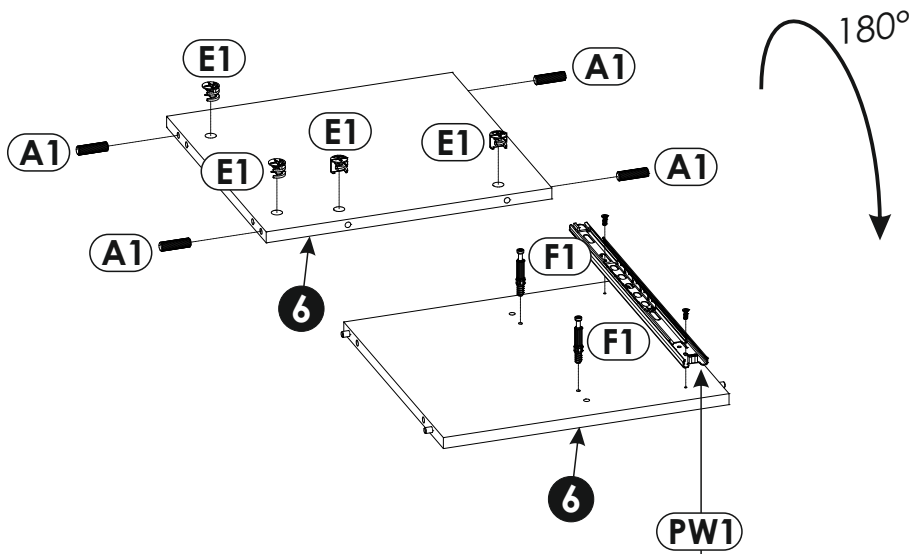
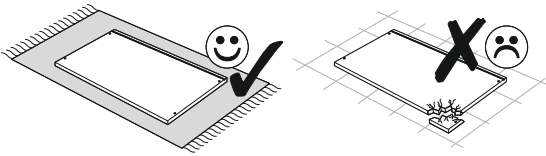
7



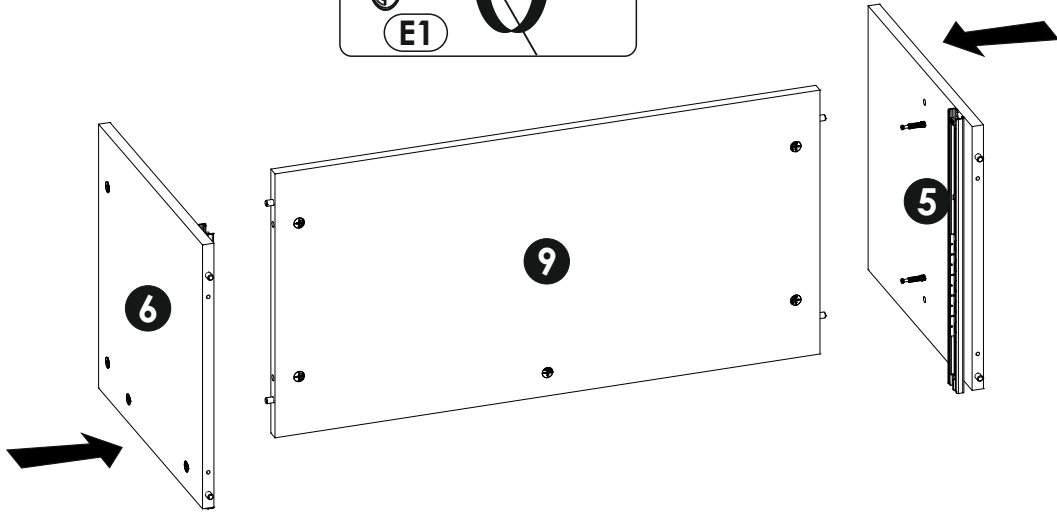
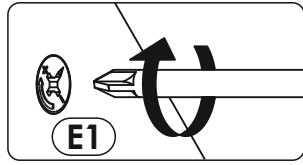
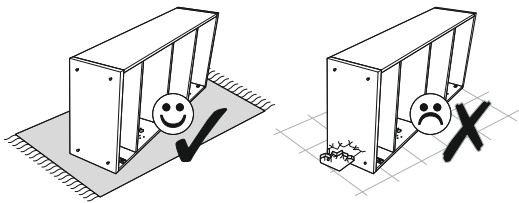
8 ▶



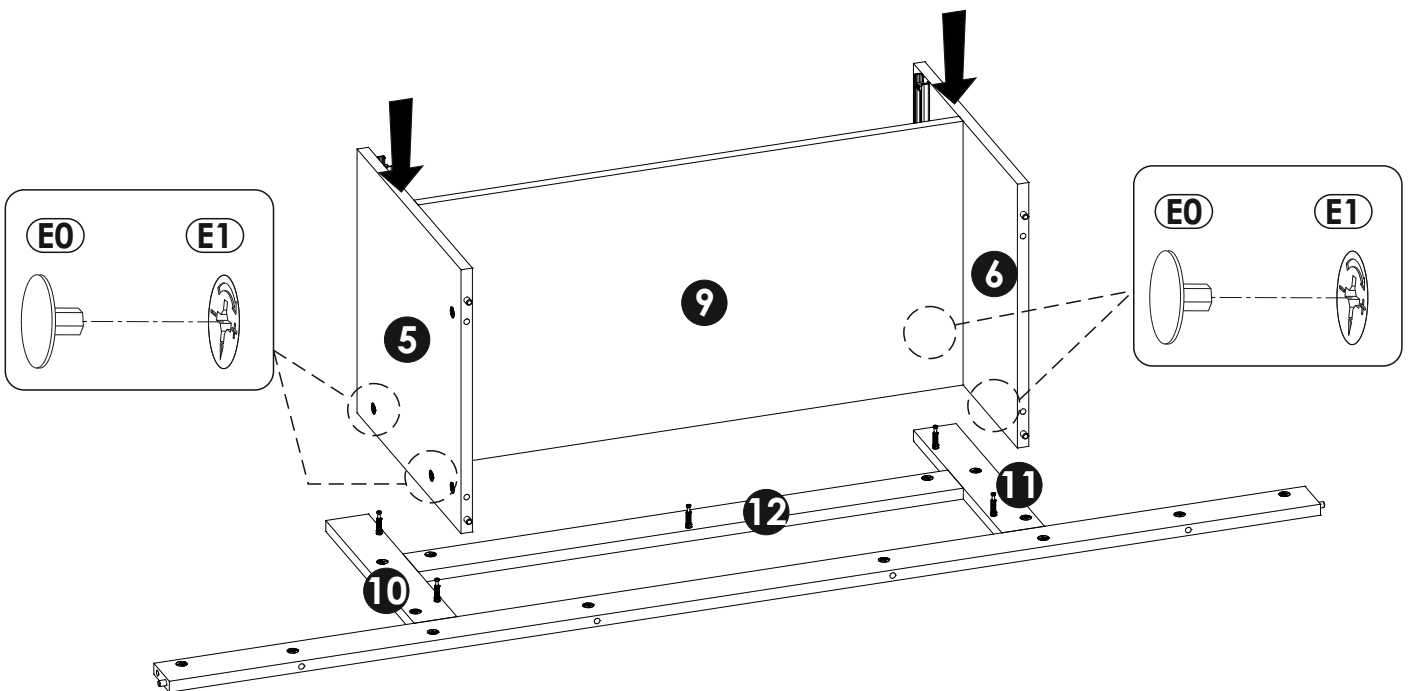
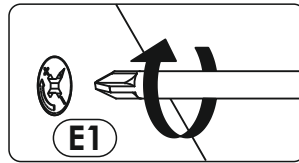
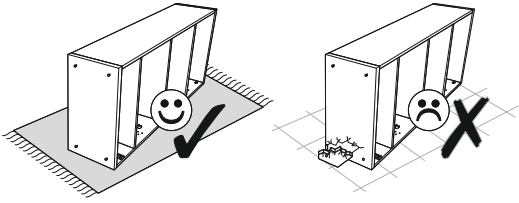
9 ▶



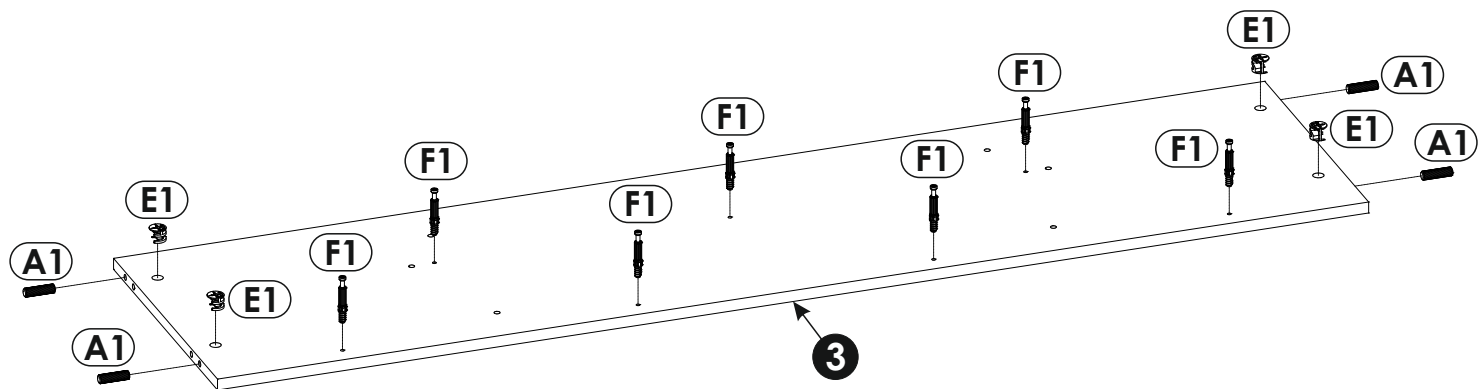
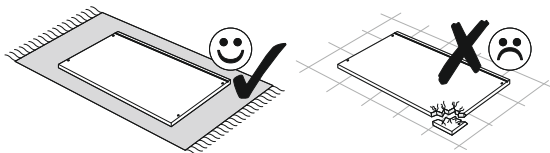
10 ▶



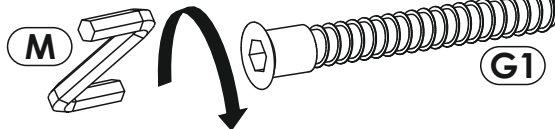
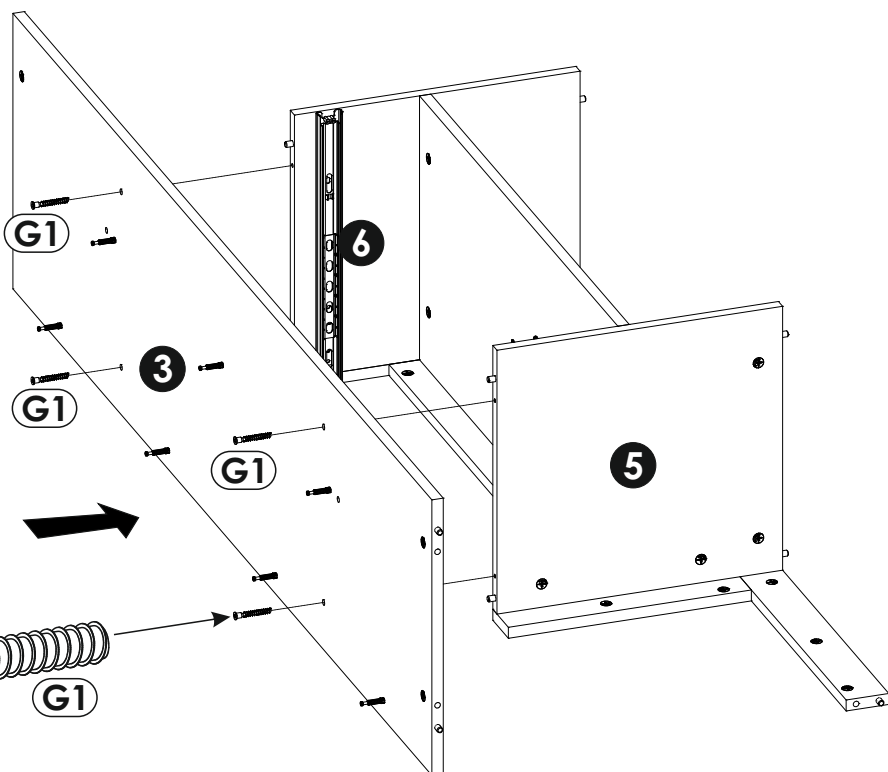
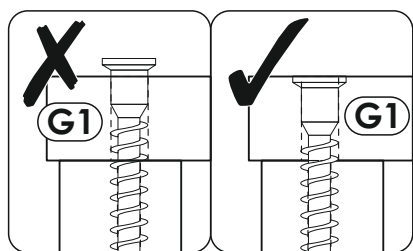
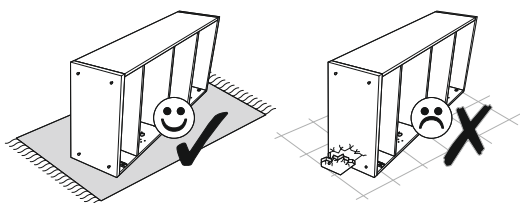
11 ▶



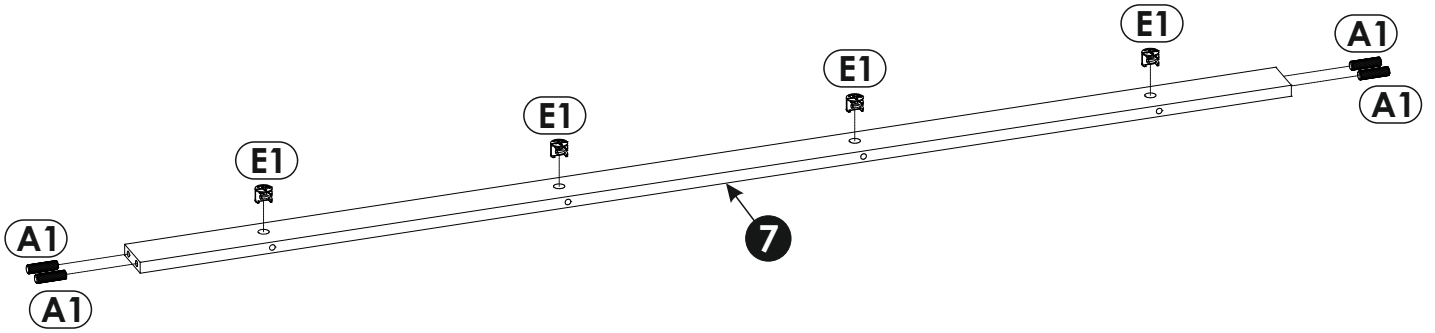
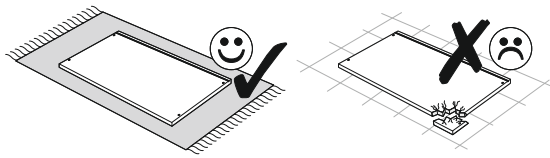
12 ▶



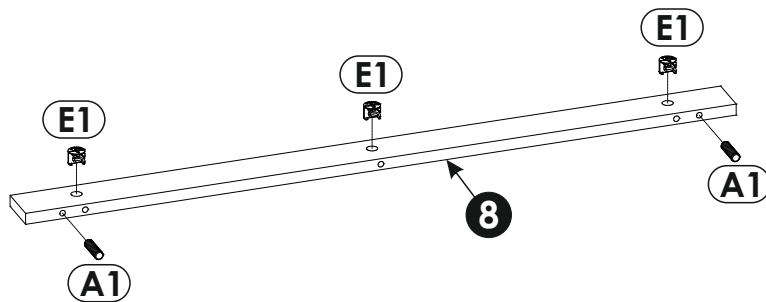
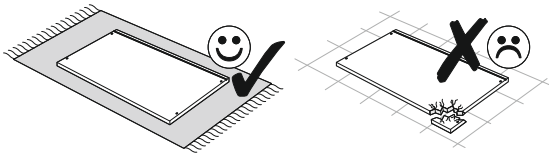
13 ▶



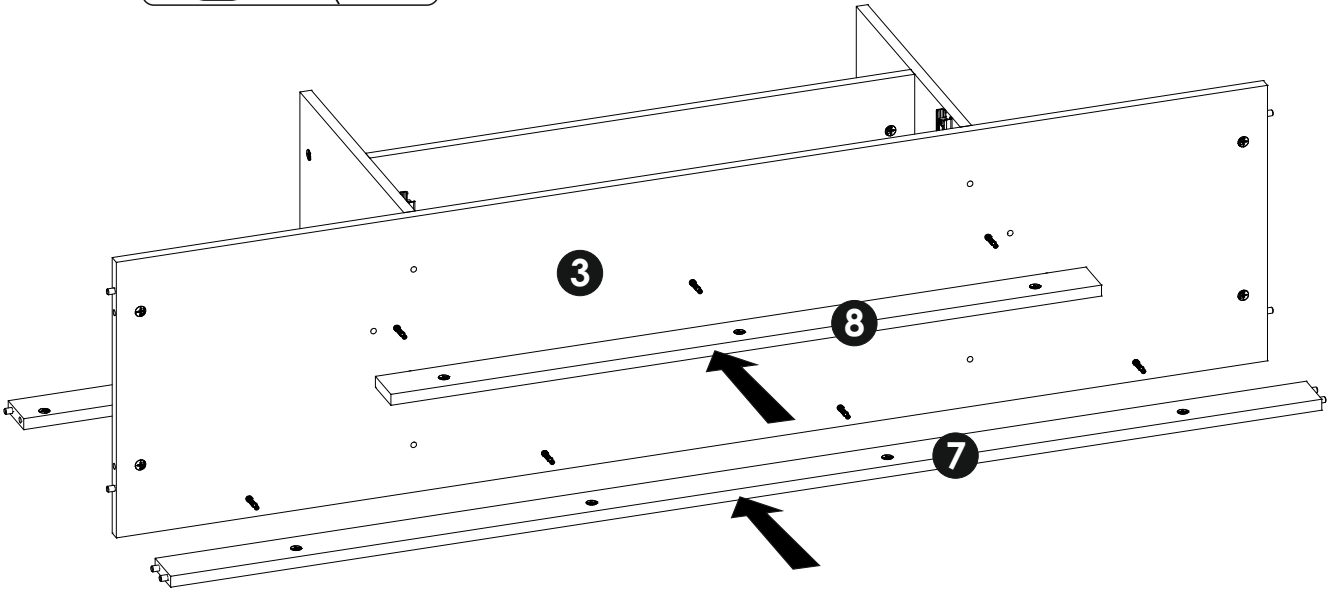
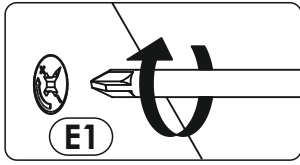
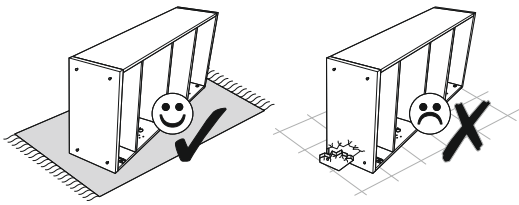
14▶



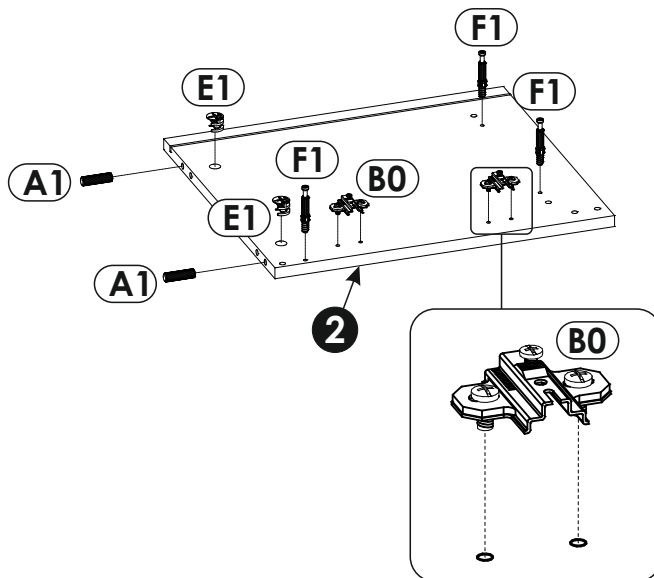
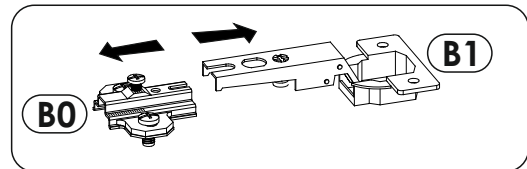
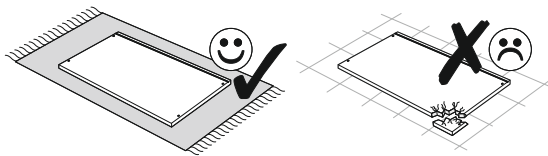
15▶



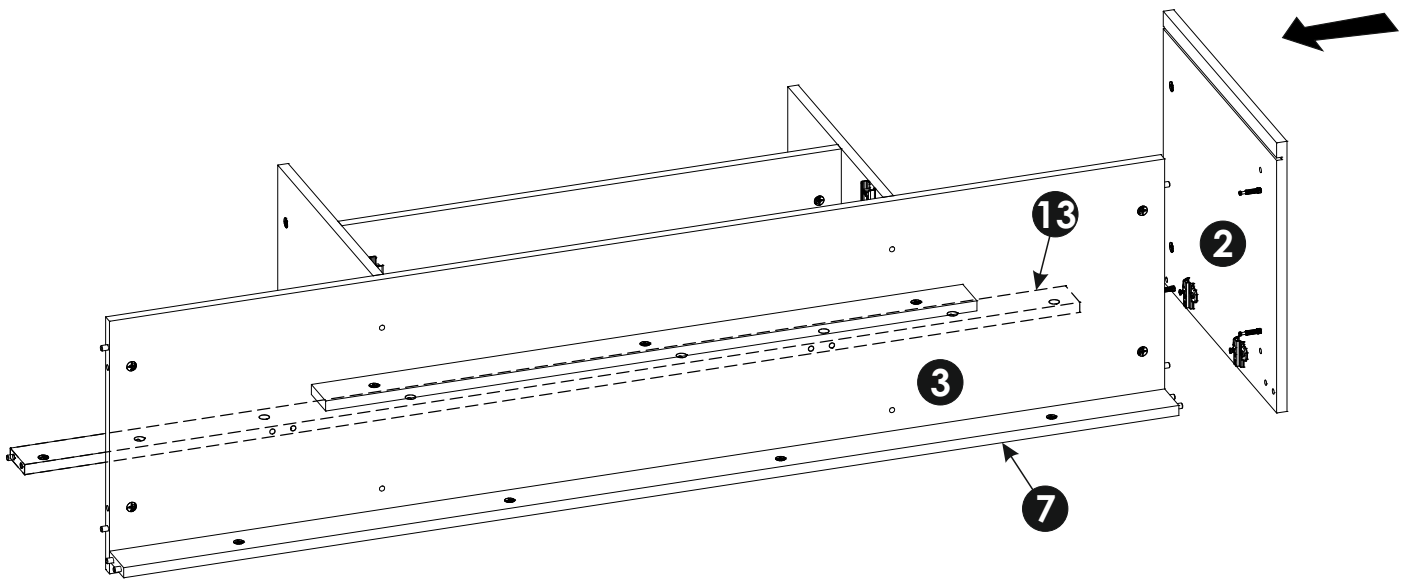
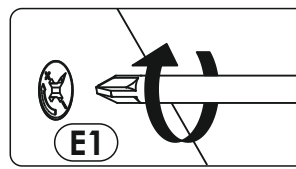
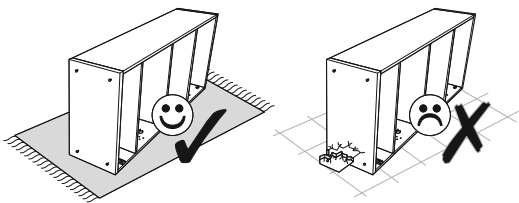
16▶



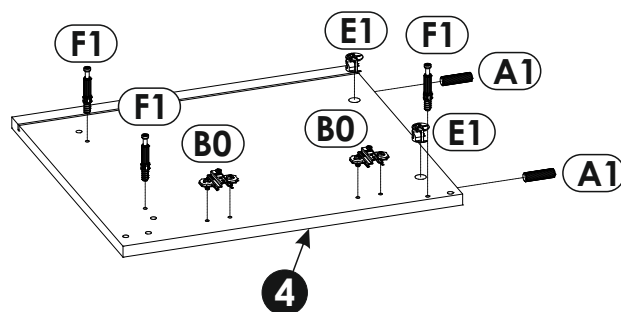
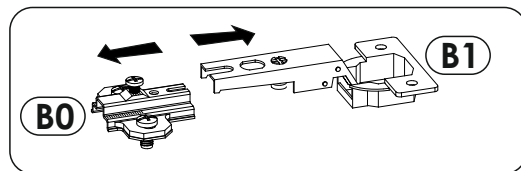
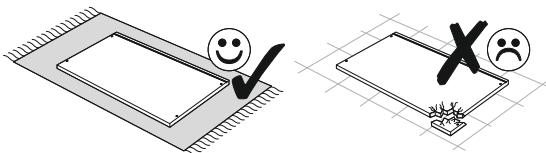
17▶



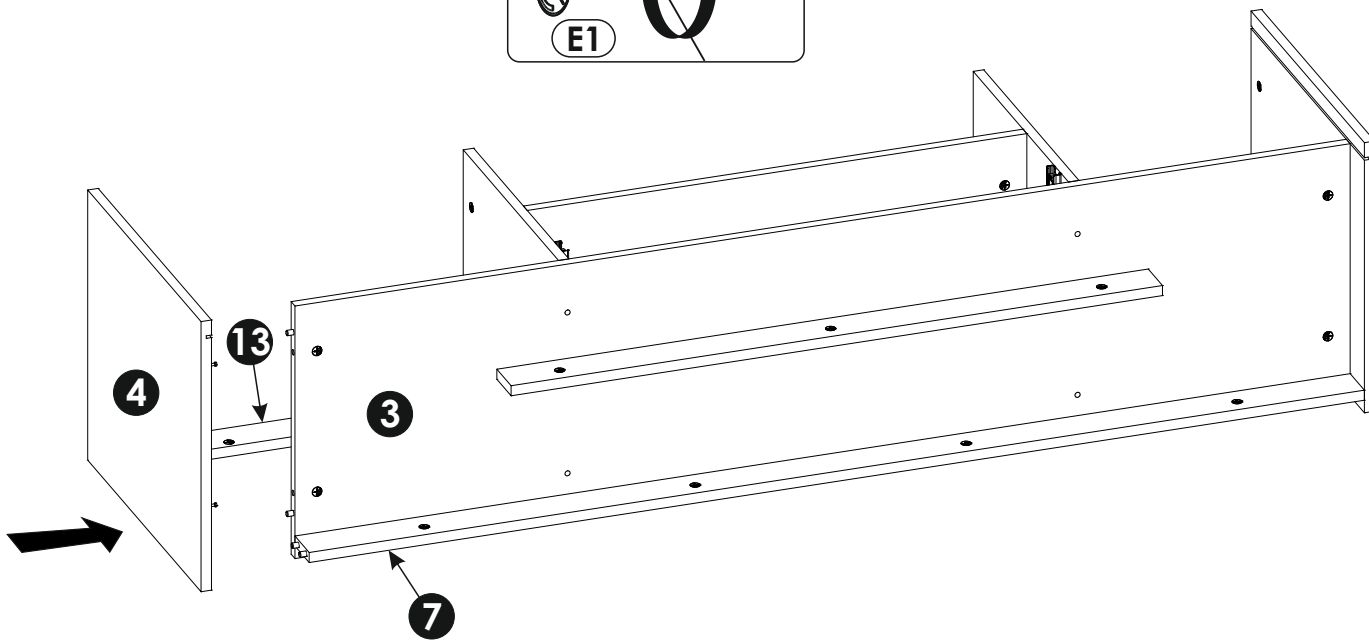
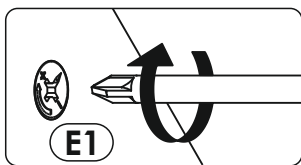
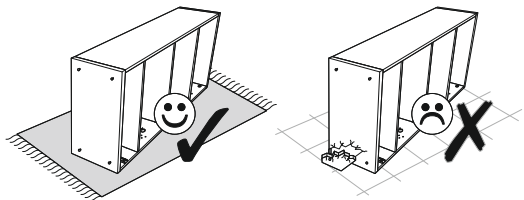
18 ▶



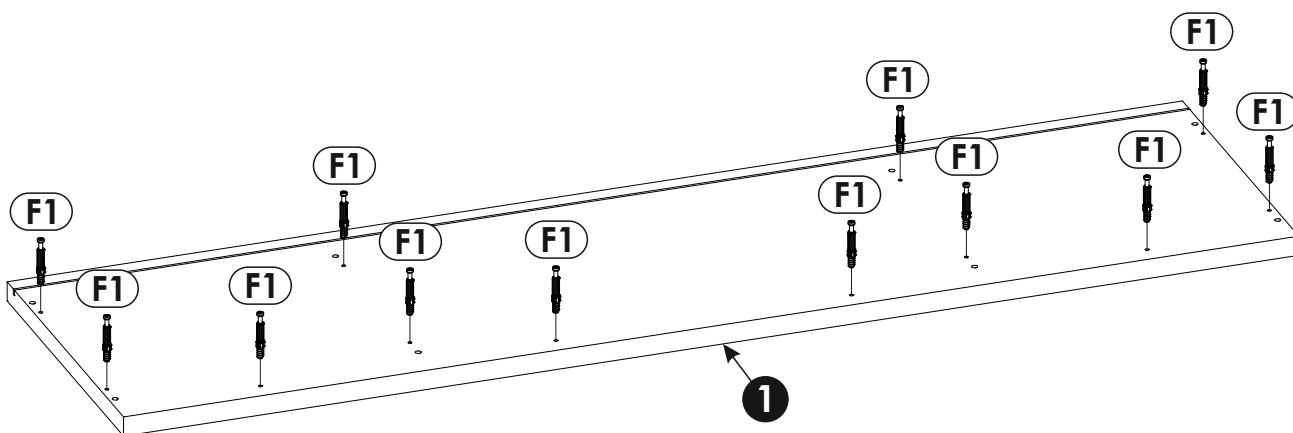
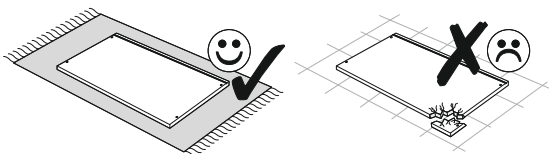
19 ▶



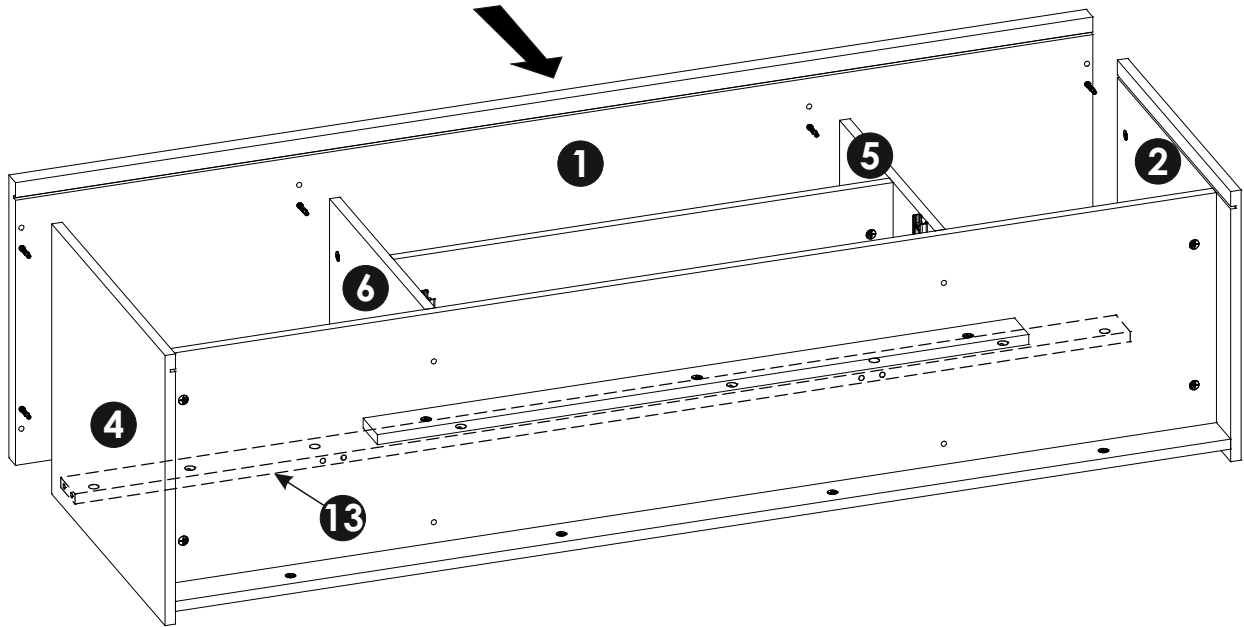
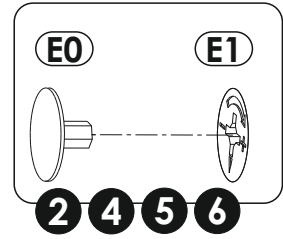
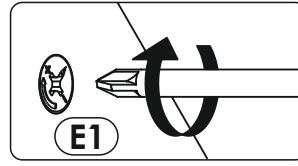
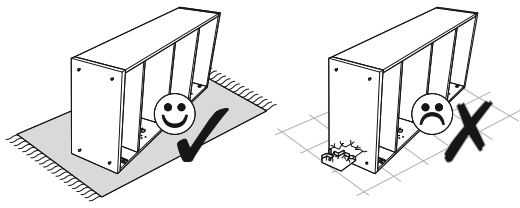
20 ▶



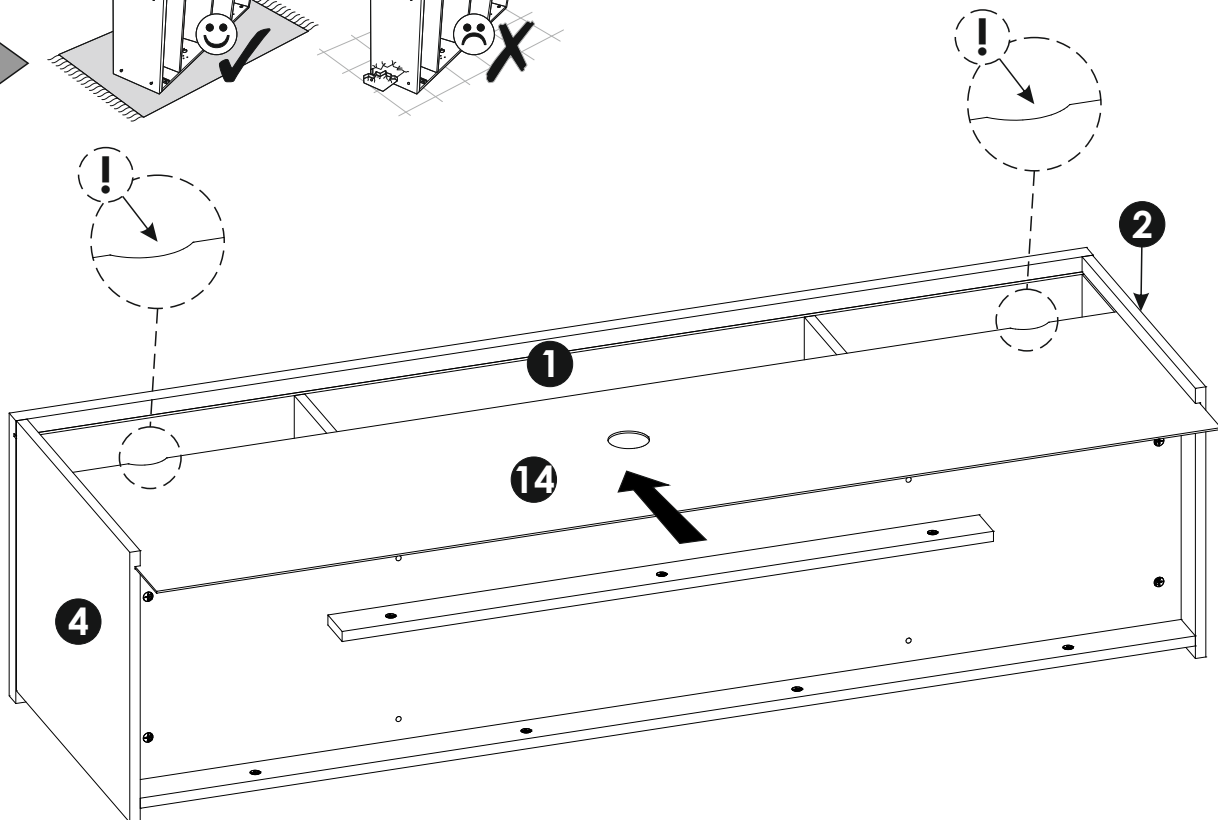
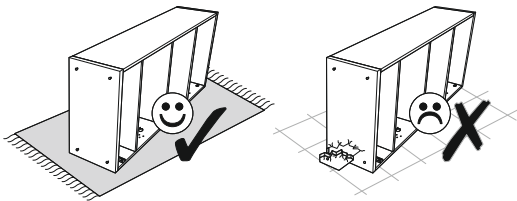
21 ▶



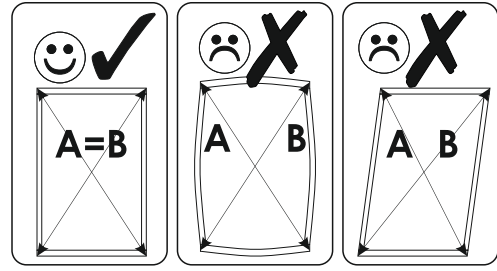
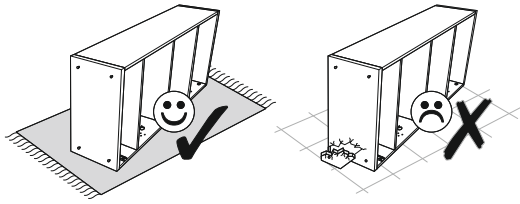
22 ▶



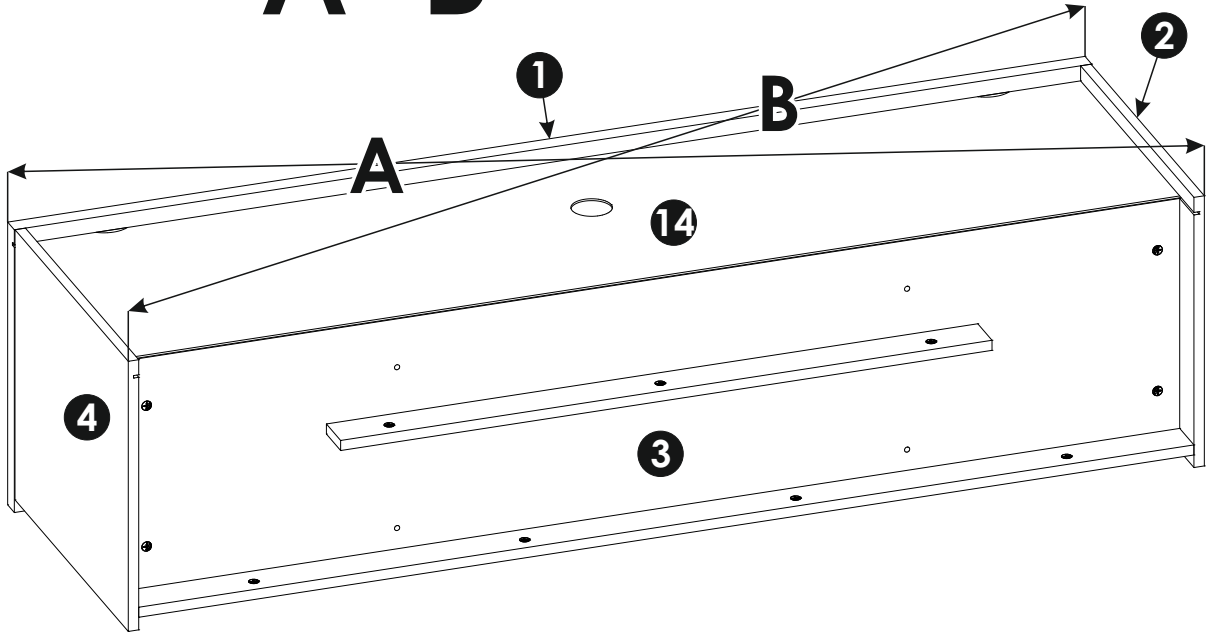
23 ▶



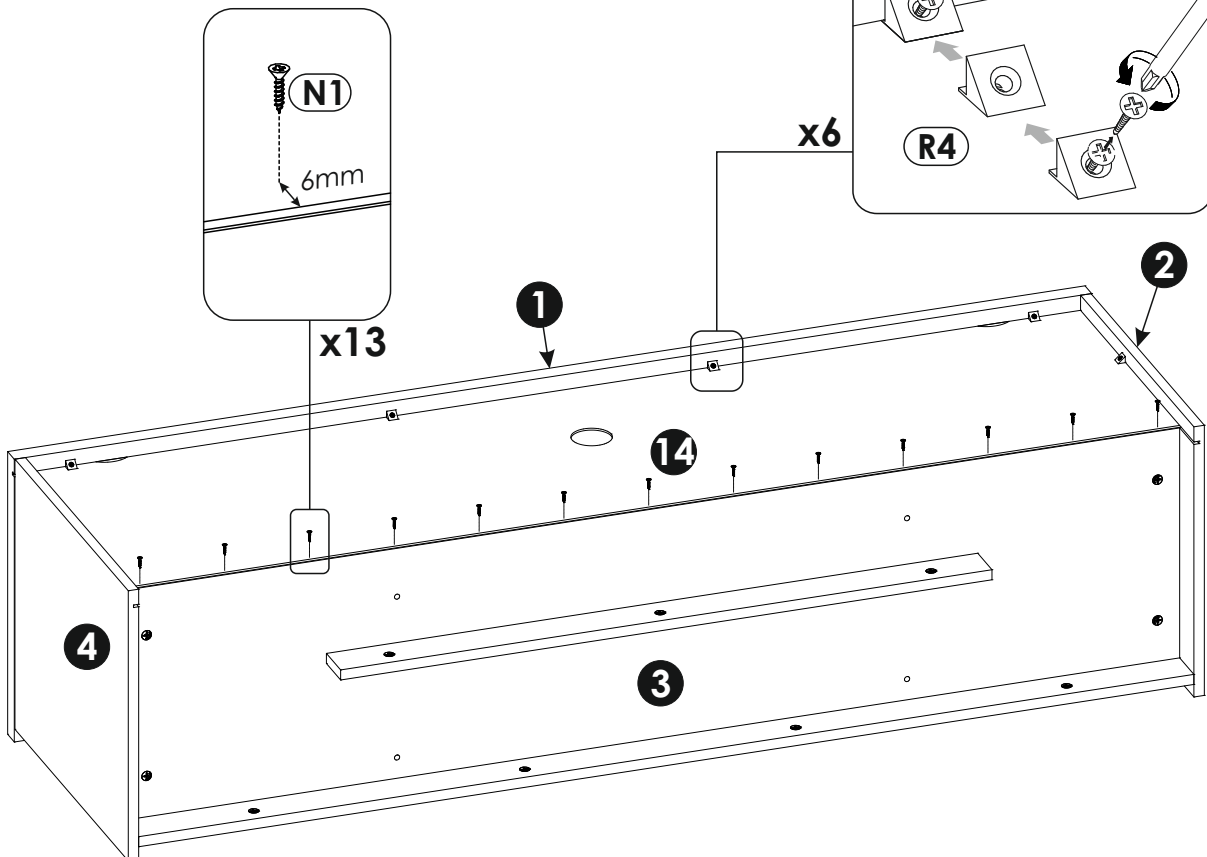
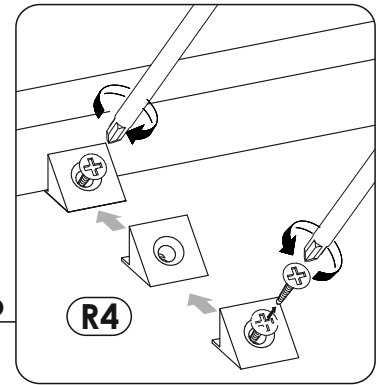
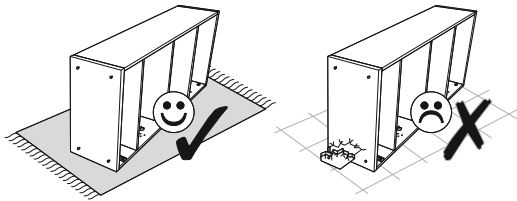
24 ▶



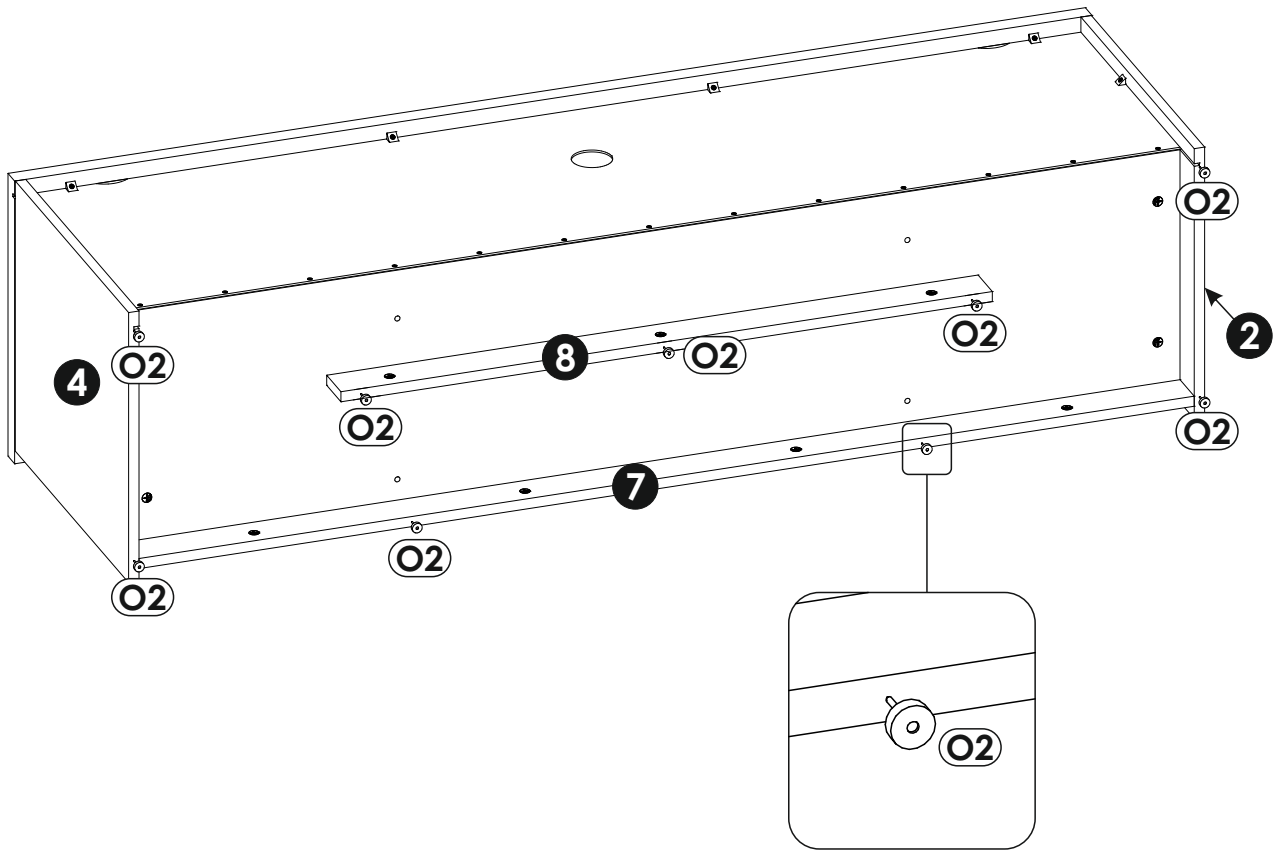
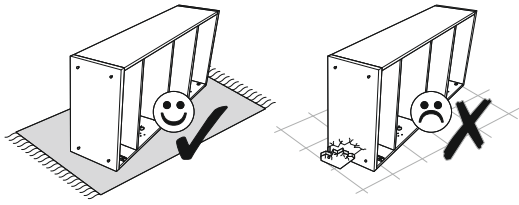
A=B

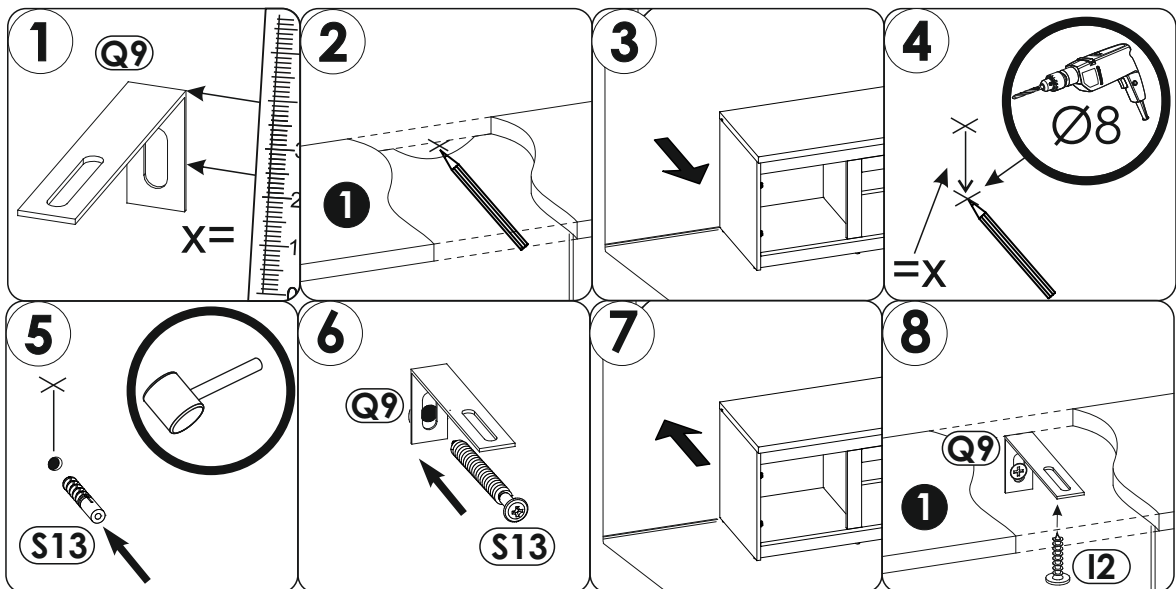
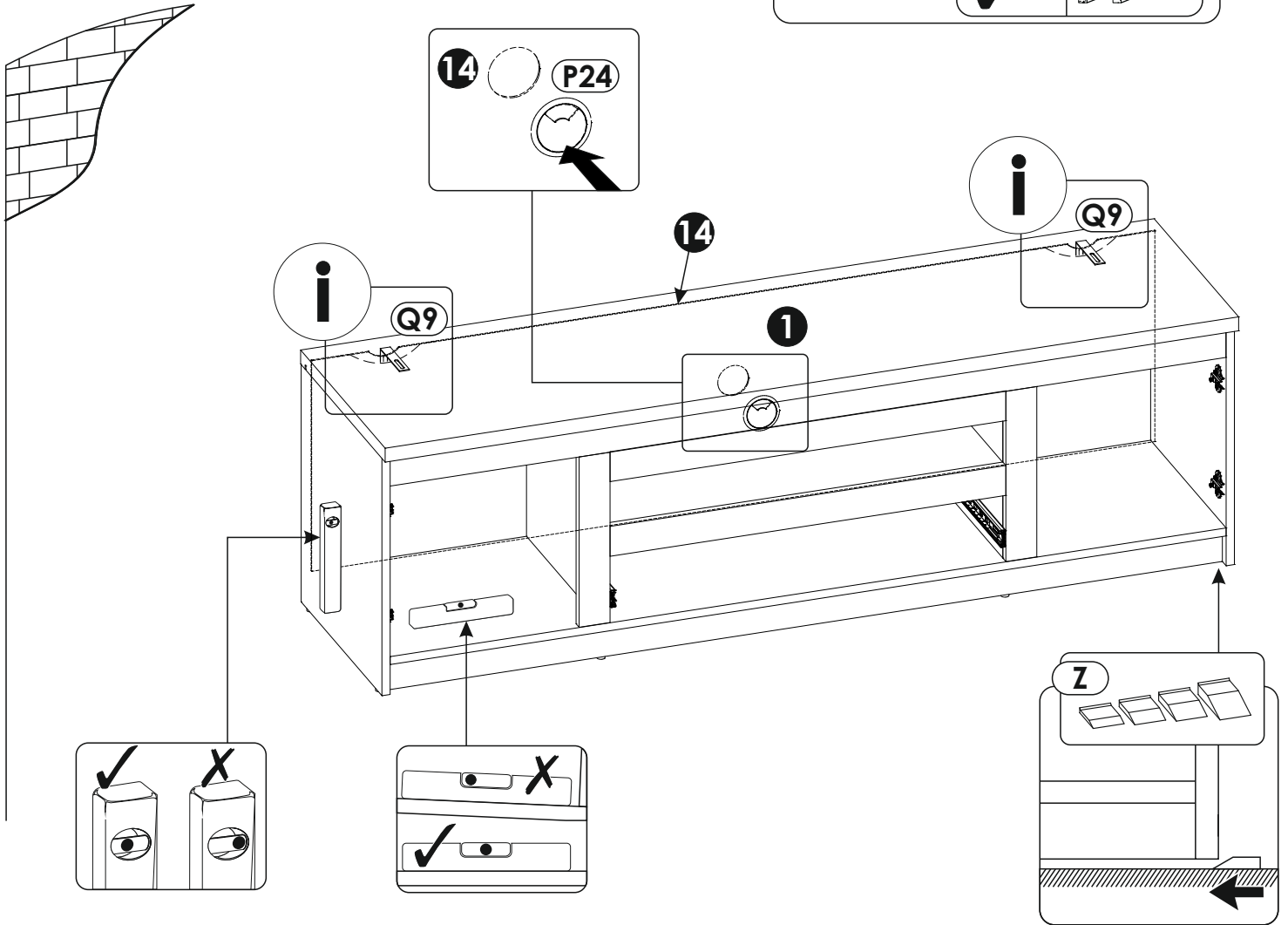
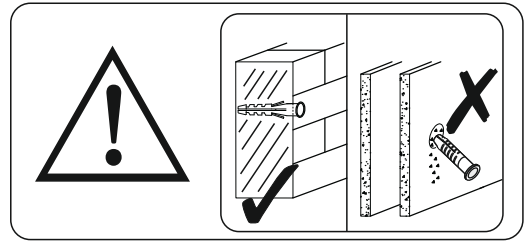


25 ▶

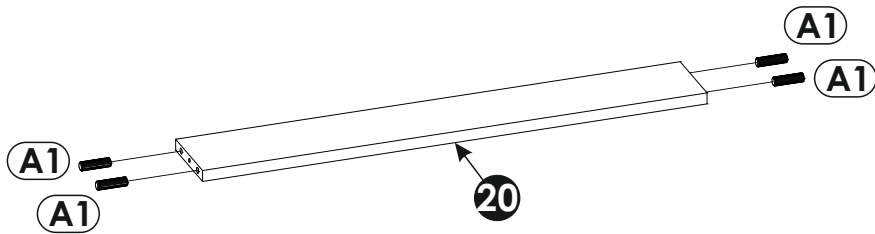
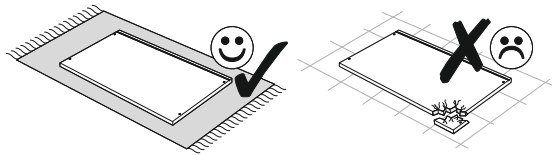


26 ▶

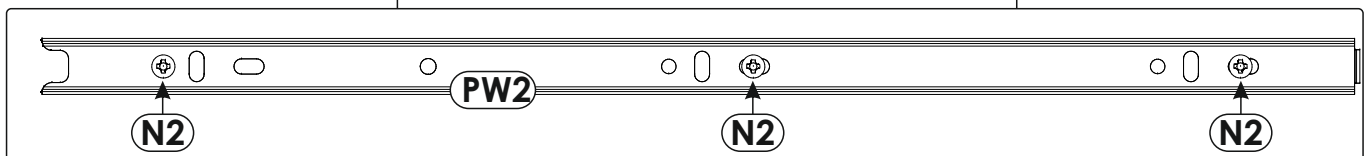
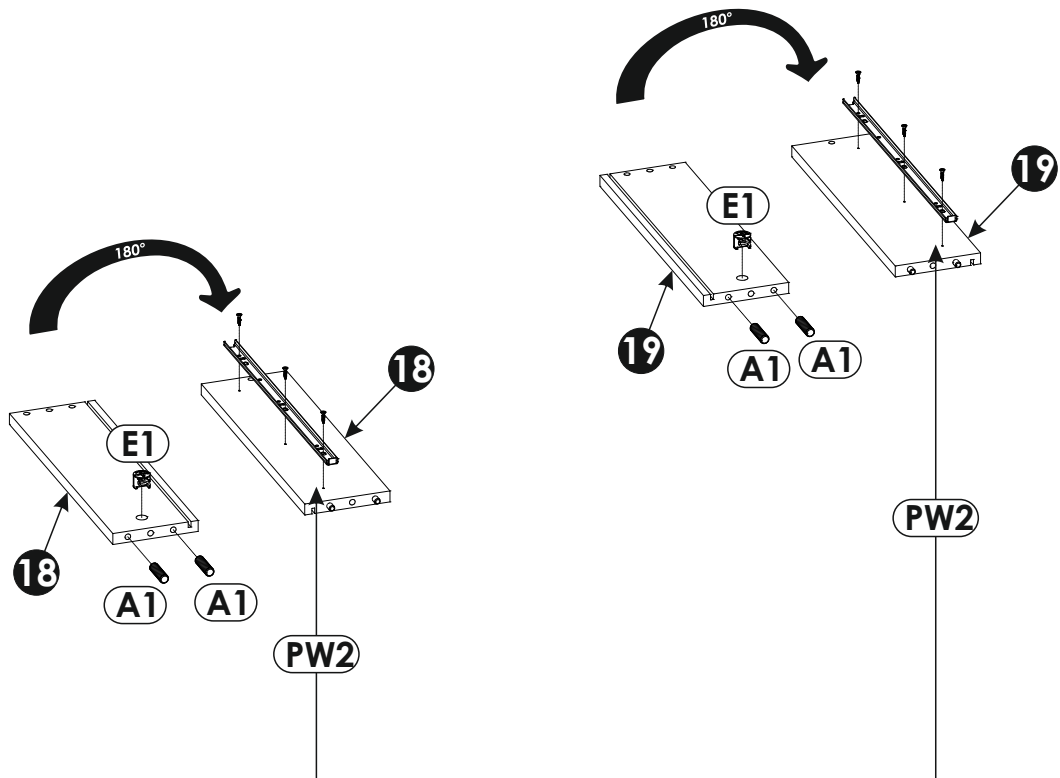
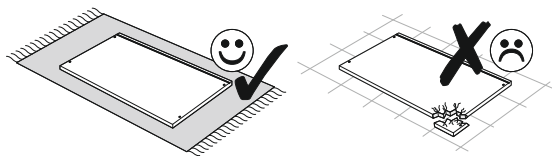




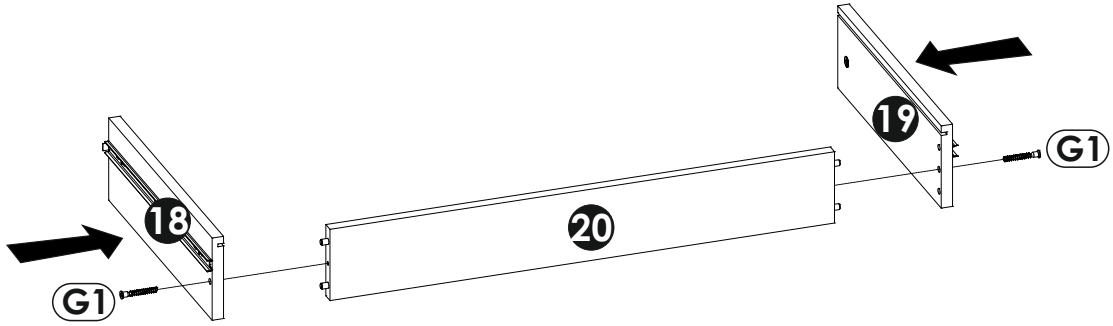
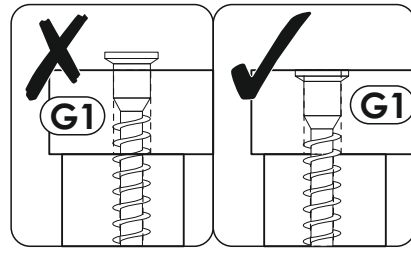
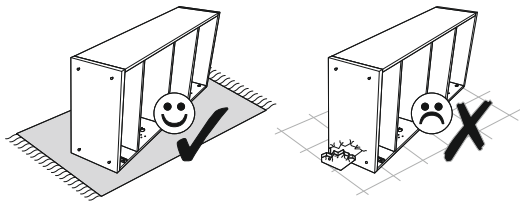
28 ▶



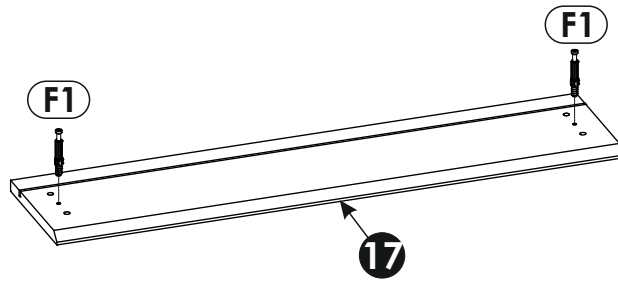
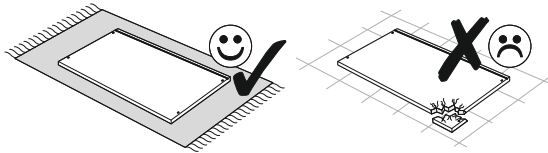
29 ▶



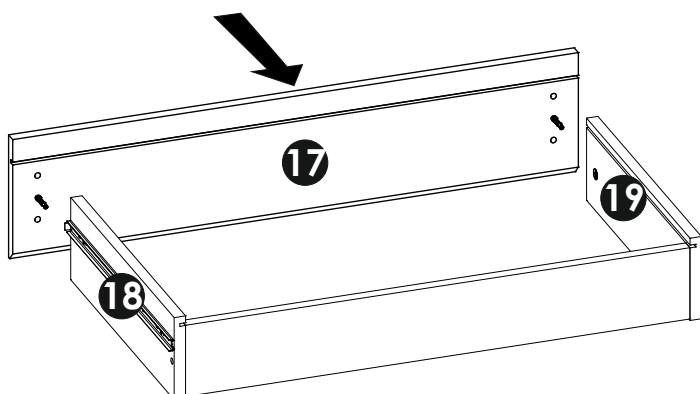
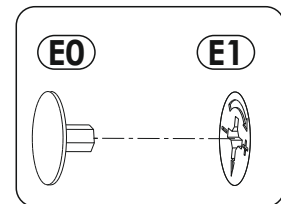
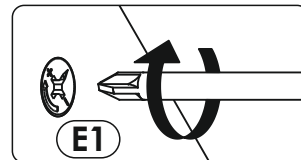
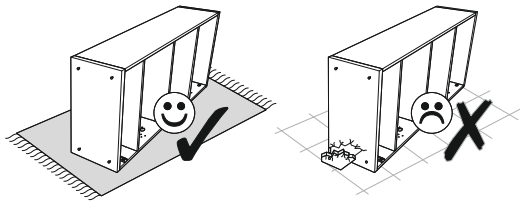
30 ▶



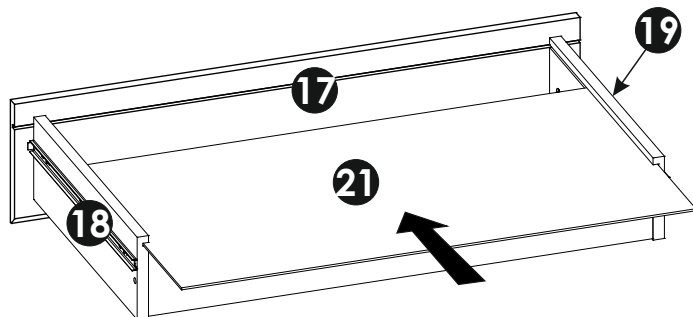
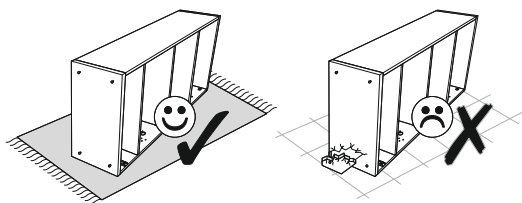
31 ▶



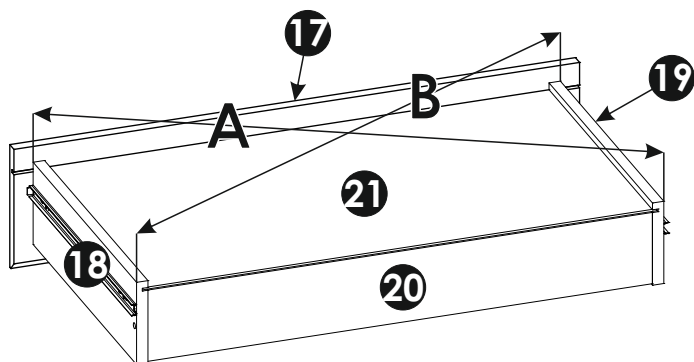
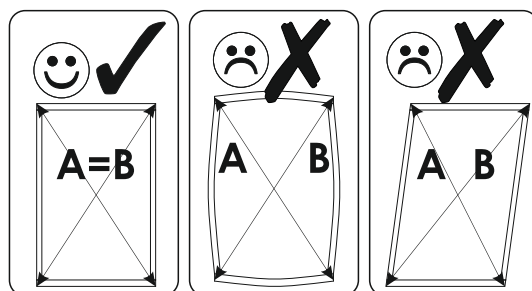
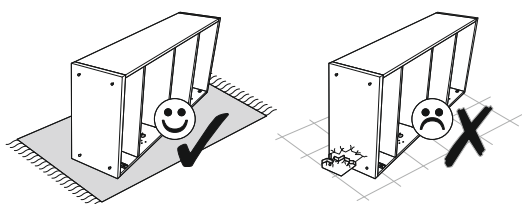
32 ▶



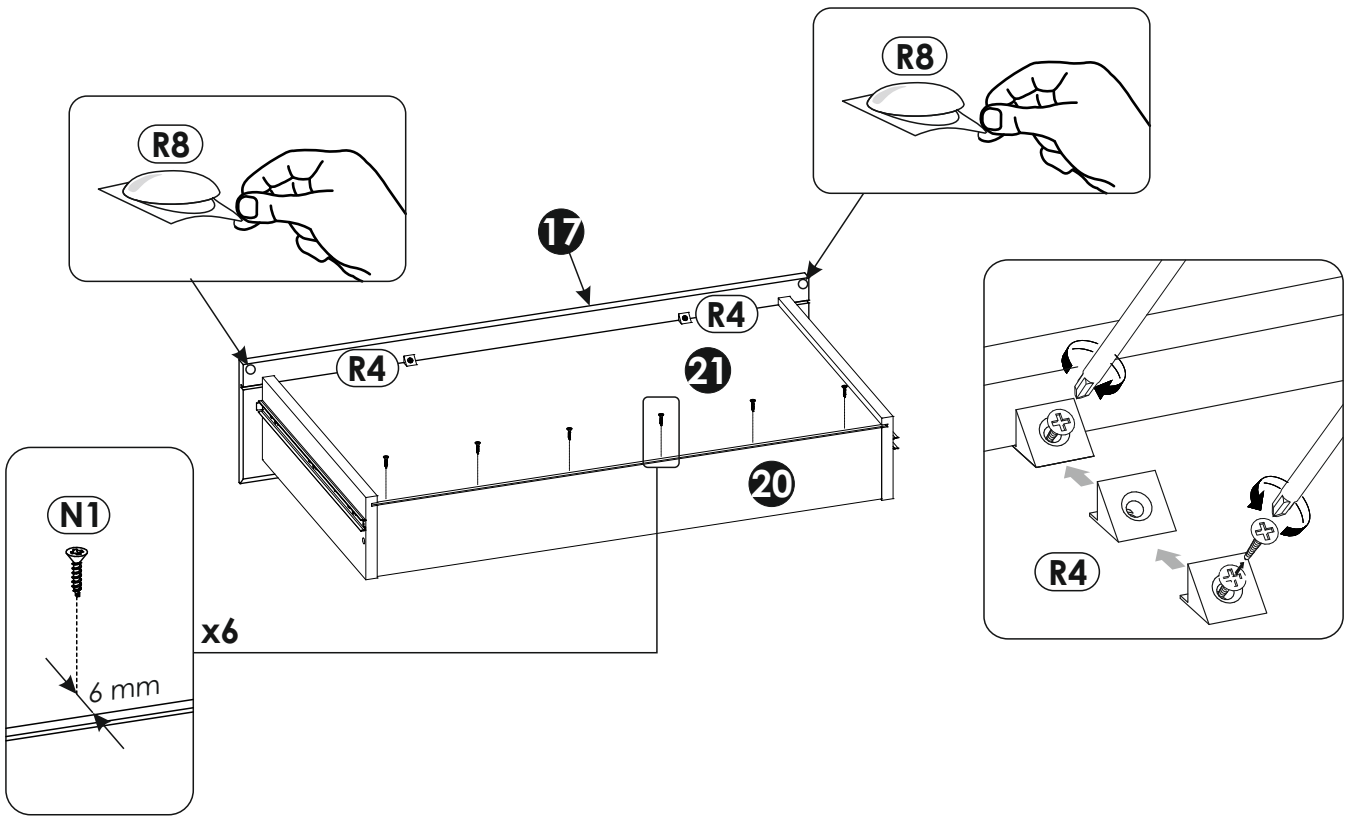
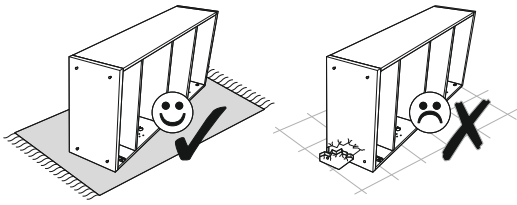
33 ▶



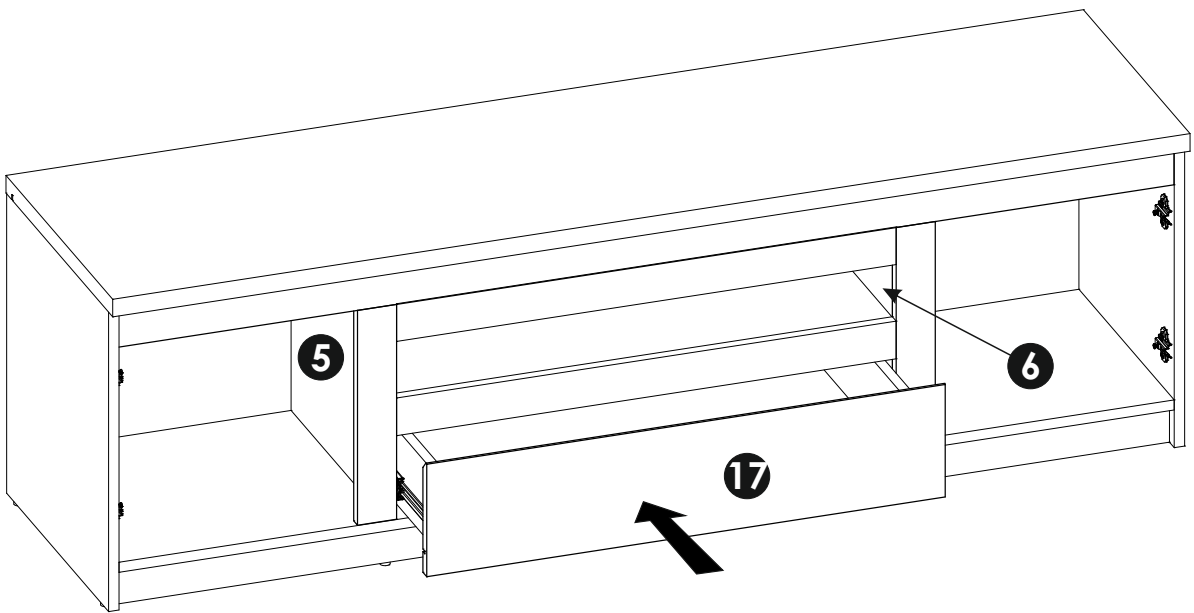
34 ▶

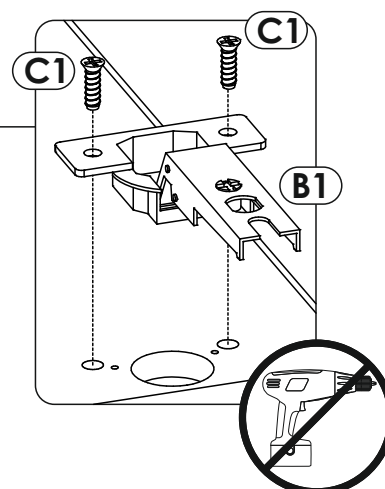
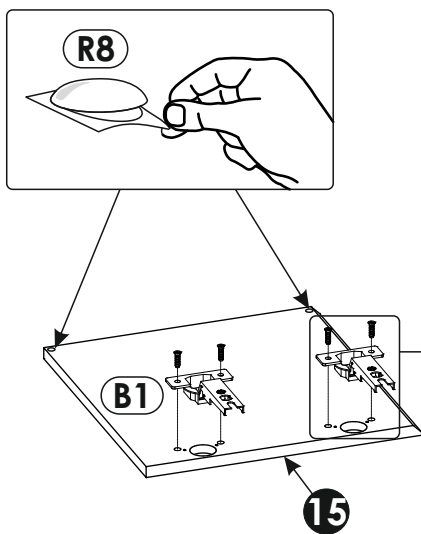
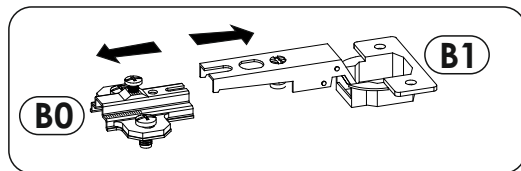
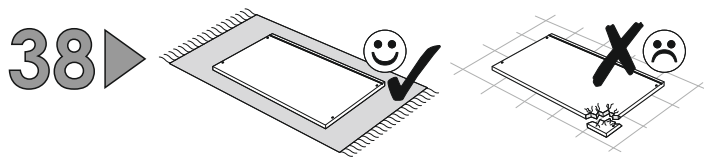
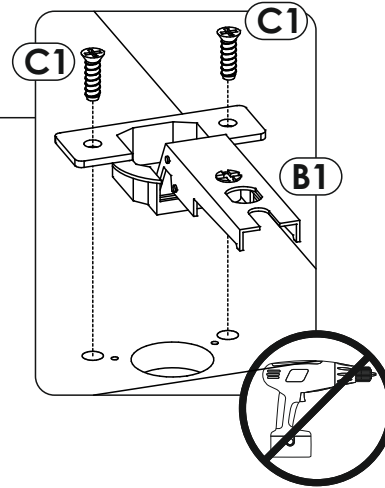
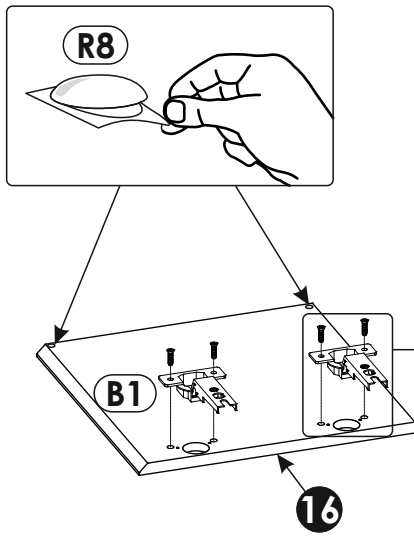
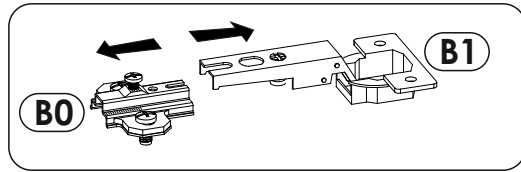
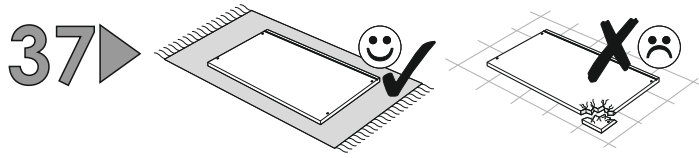


35▶

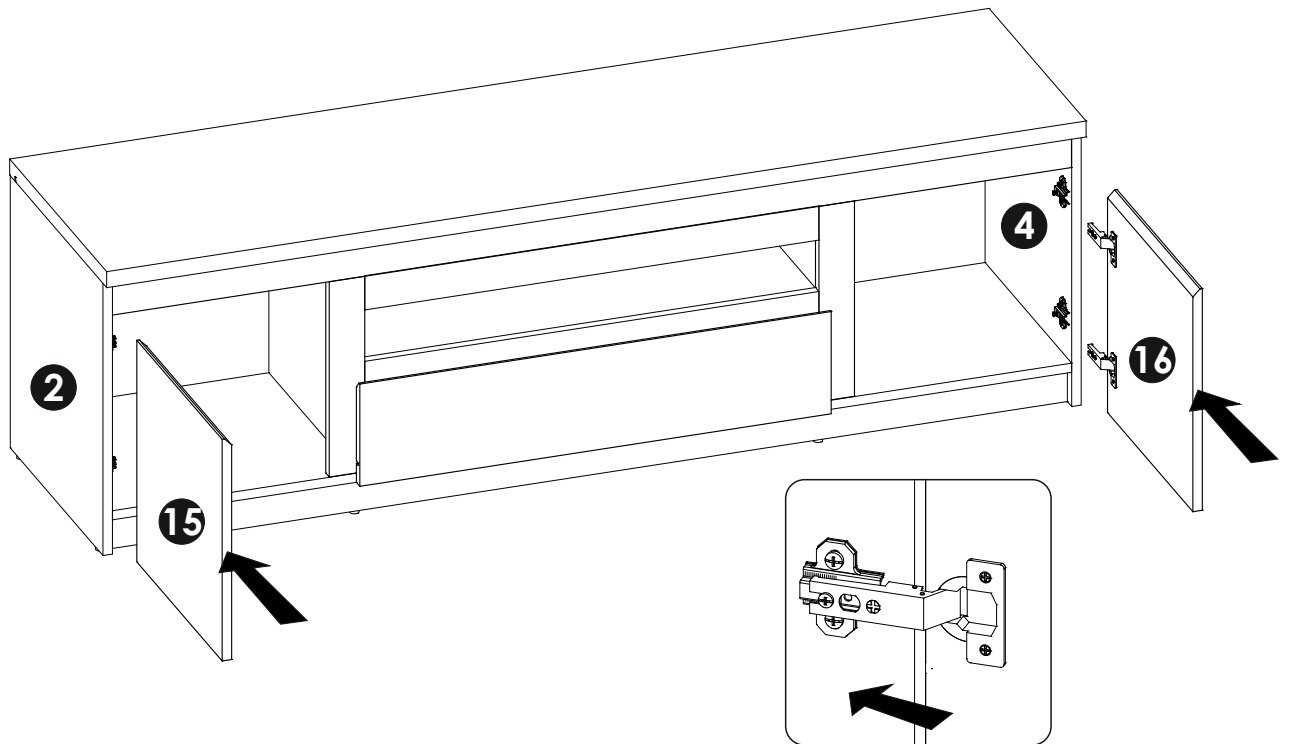


36▶

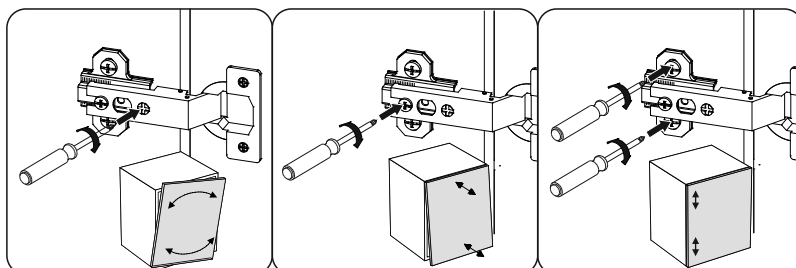
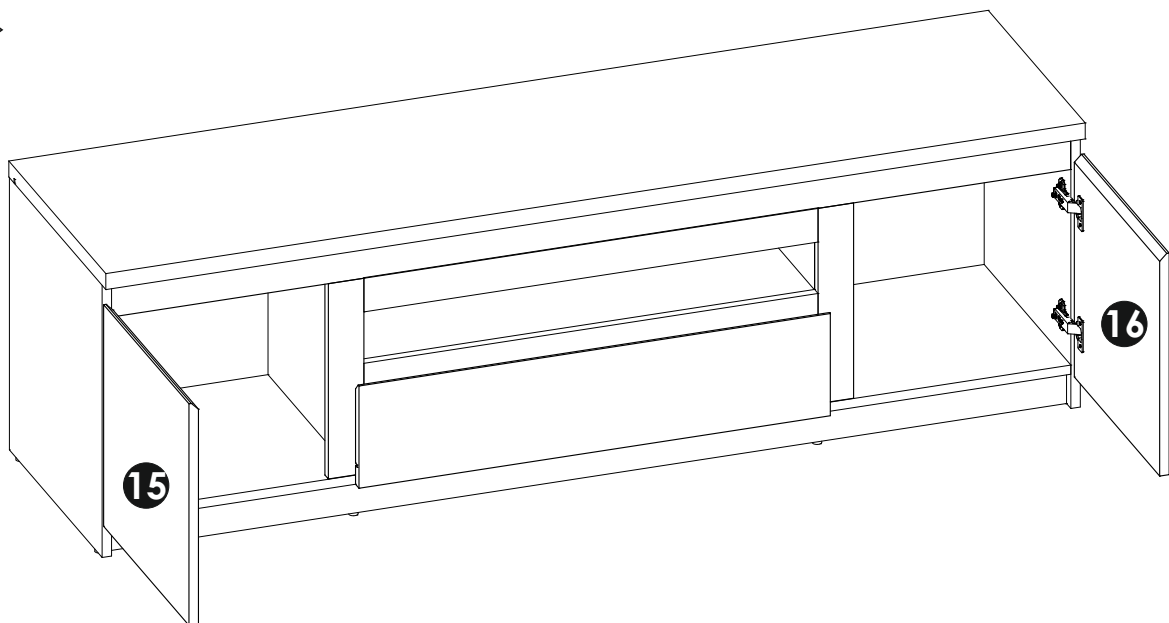




39▶



40▶



41 ▶

