

MM

260

250

240

230

220

210

200

190

180

170

160

150

140

130

120

110

100

90

80

70

60

50


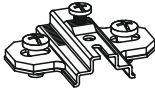
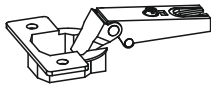


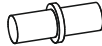
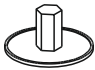









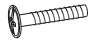
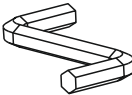

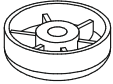
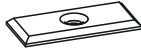
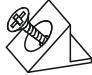



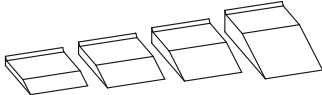
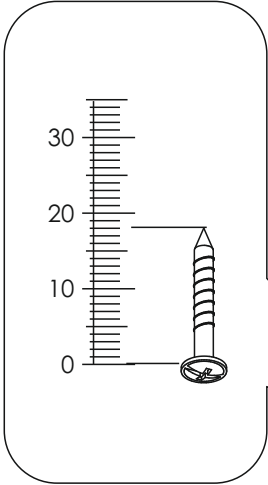
40

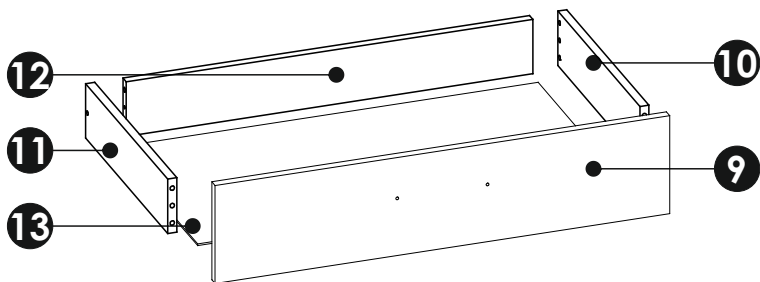
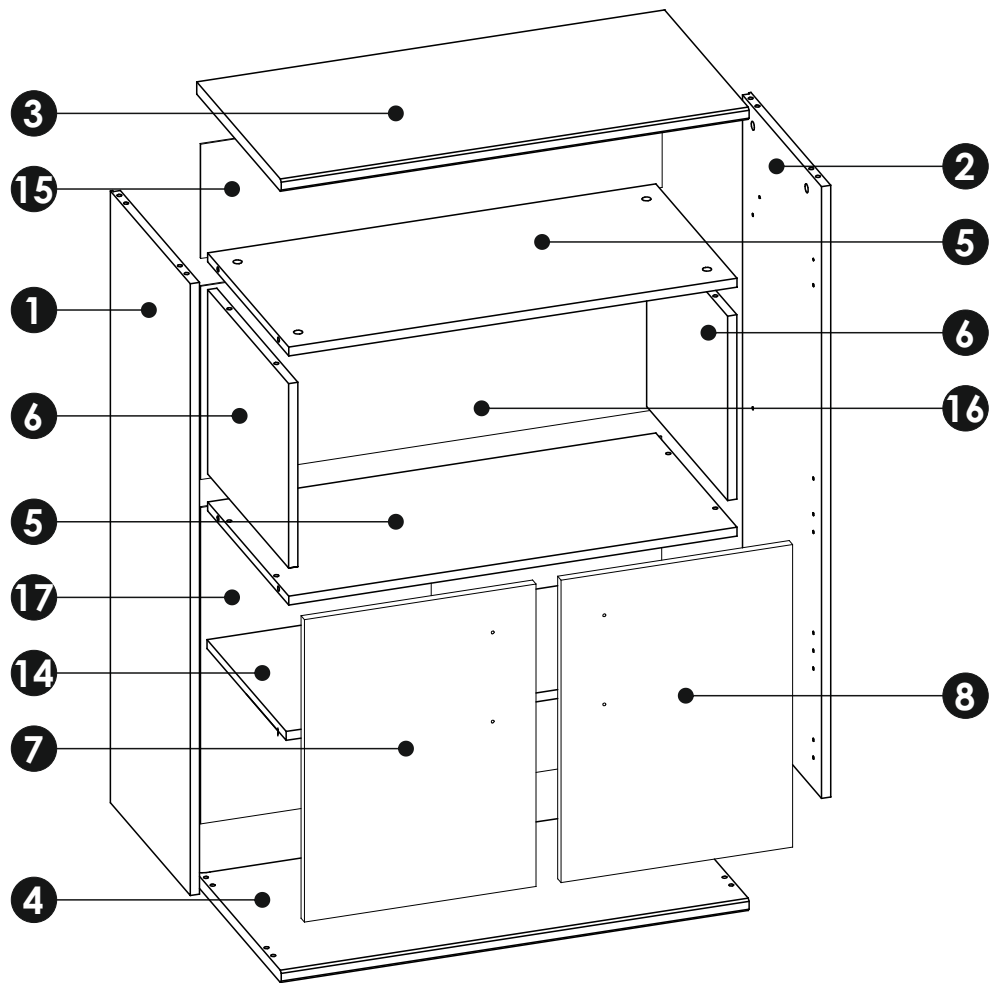
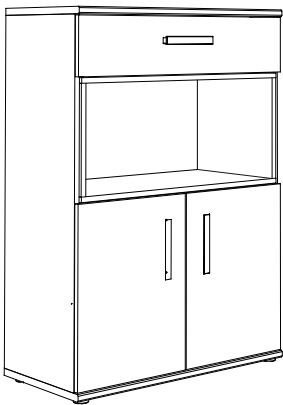
30

20

10

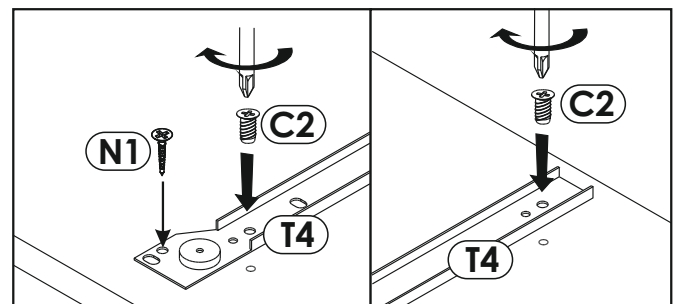
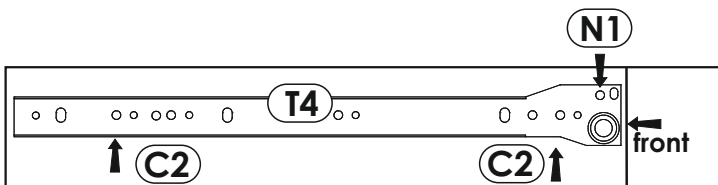
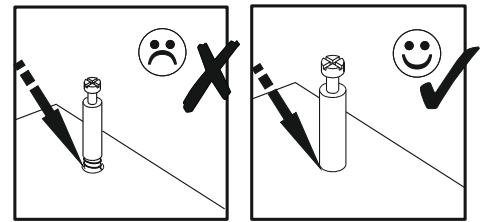
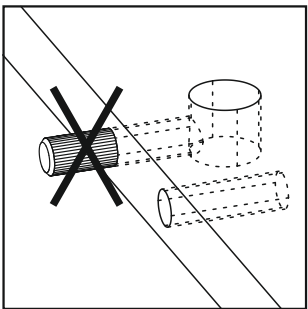
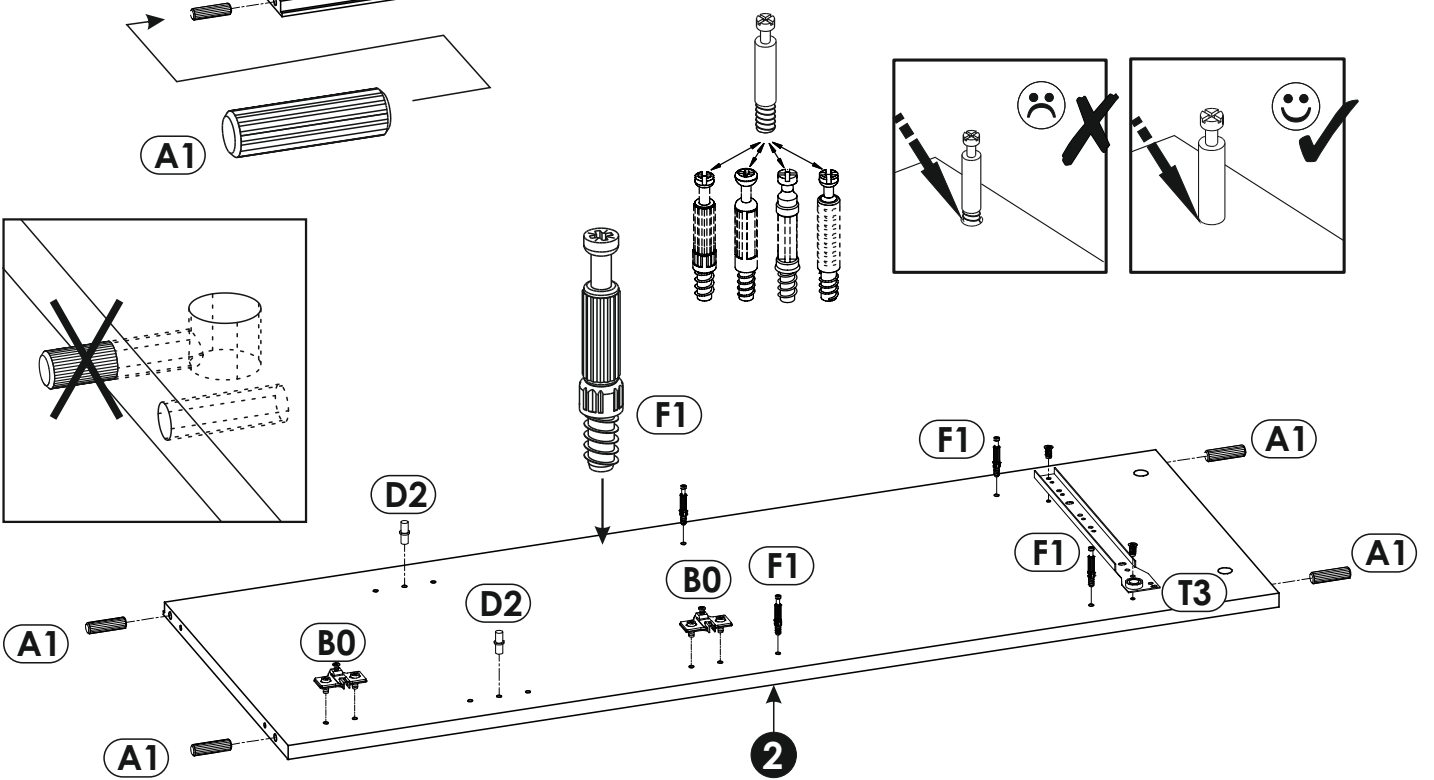
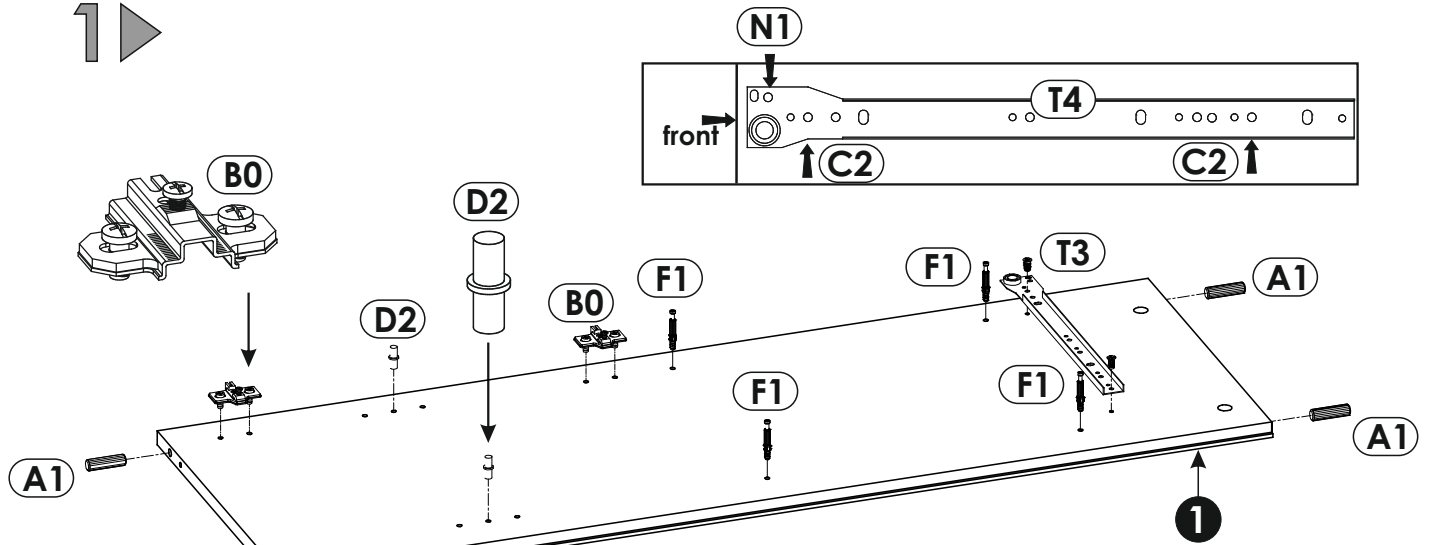
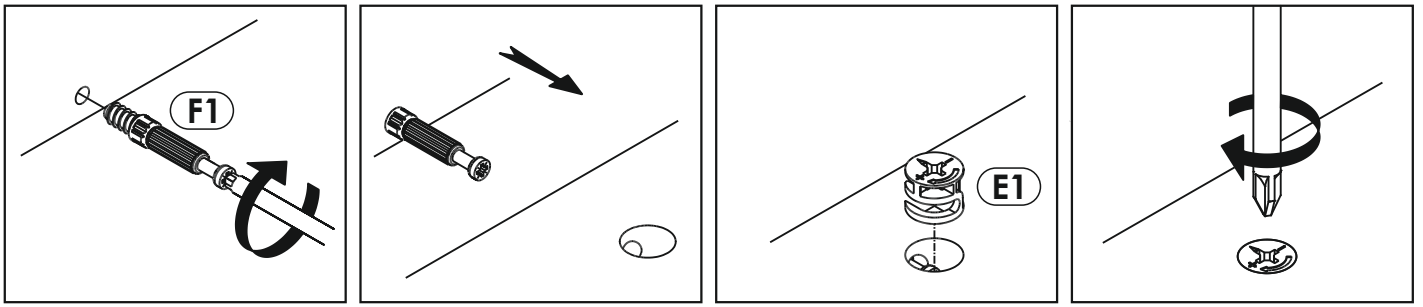
0

<p>A1 x24</p> 	<p>B0 x4</p> 	<p>B1 x4</p> 
<p>C1 x8 EURO 4 x 13 mm</p> 	<p>C2 x4 EURO 5 x 13 mm</p> 	<p>D2 x4</p> 
<p>E0 x14</p> 	<p>E1 x14</p> 	<p>F1 x14</p> 
<p>G0 x6</p> 	<p>G1 x2 $\phi 7 \times 50$ mm</p> 	<p>G2 x4 $\phi 7 \times 60$ mm</p> 
<p>H1 x3</p> 	<p>I2 x1 4 x 16 mm</p> 	<p>I10 x4 3,5 x 22 mm</p> 
<p>J1 x6 3 x 20 mm</p> 	<p>K3 x6 M4 x 22 mm</p> 	<p>M x1</p> 
<p>N1 x60 3 x 16 mm</p> 	<p>O1 x4</p> 	<p>R1 x10</p> 
<p>R4 x1</p> 	<p>Q9 x1</p> 	<p>R8 x4</p> 
<p>T3 x1 L-350</p> 	<p>Z x1</p> 	

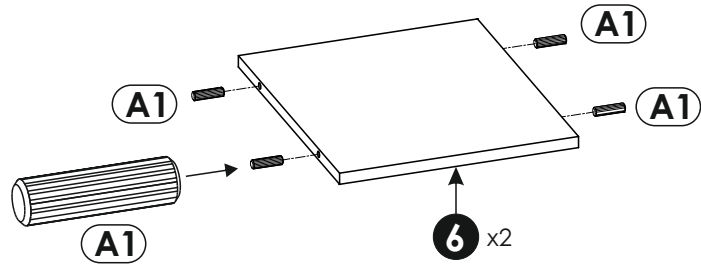


1	1098	380	16	x1	1/2
2	1098	380	16	x1	1/2
3	810	402	22	x1	2/2
4	810	402	22	x1	2/2
5	777	386	16	x2	1/2
6	331	385	16	x2	1/2
7	543	401	16	x1	2/2
8	543	401	16	x1	2/2
9	806	180	16	x1	2/2

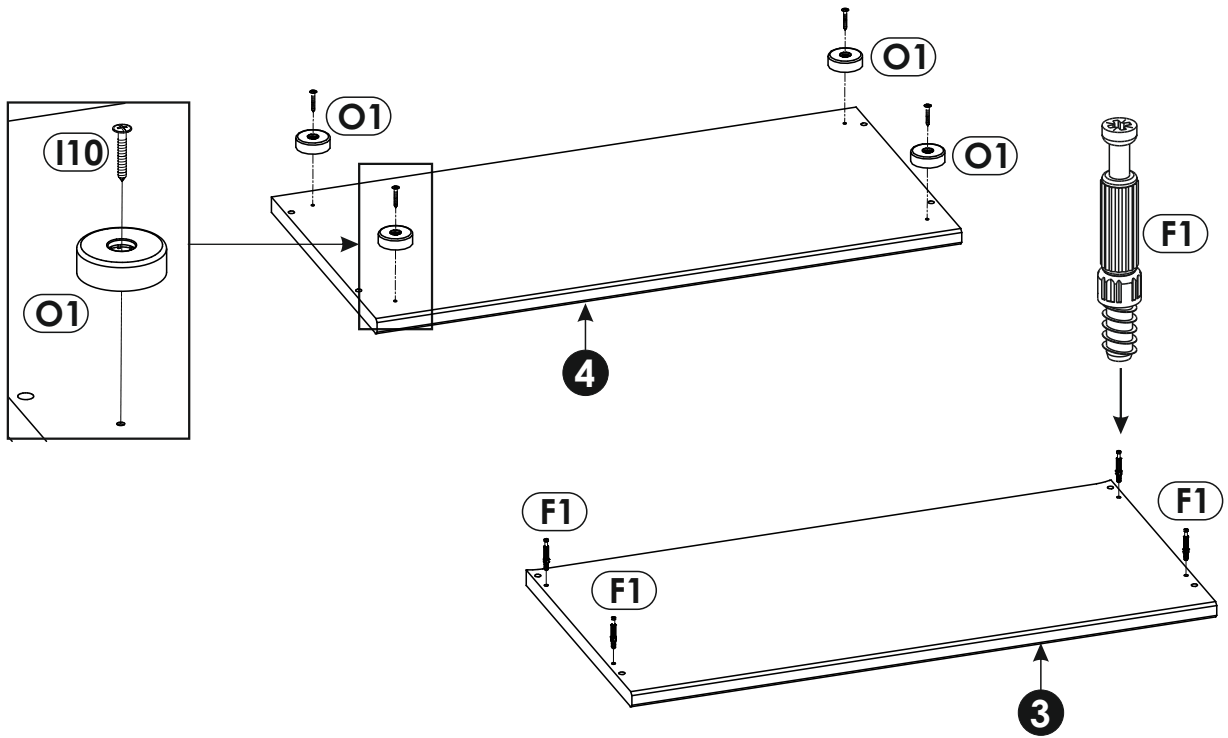
10	350	100	16	x1	2/2
11	350	100	16	x1	2/2
12	721	100	16	x1	2/2
13	751	355	3	x1	2/2
14	777	376	16	x1	1/2
15	799	205	3	x1	2/2
16	799	347	3	x1	2/2
17	568	798	3	x1	2/2



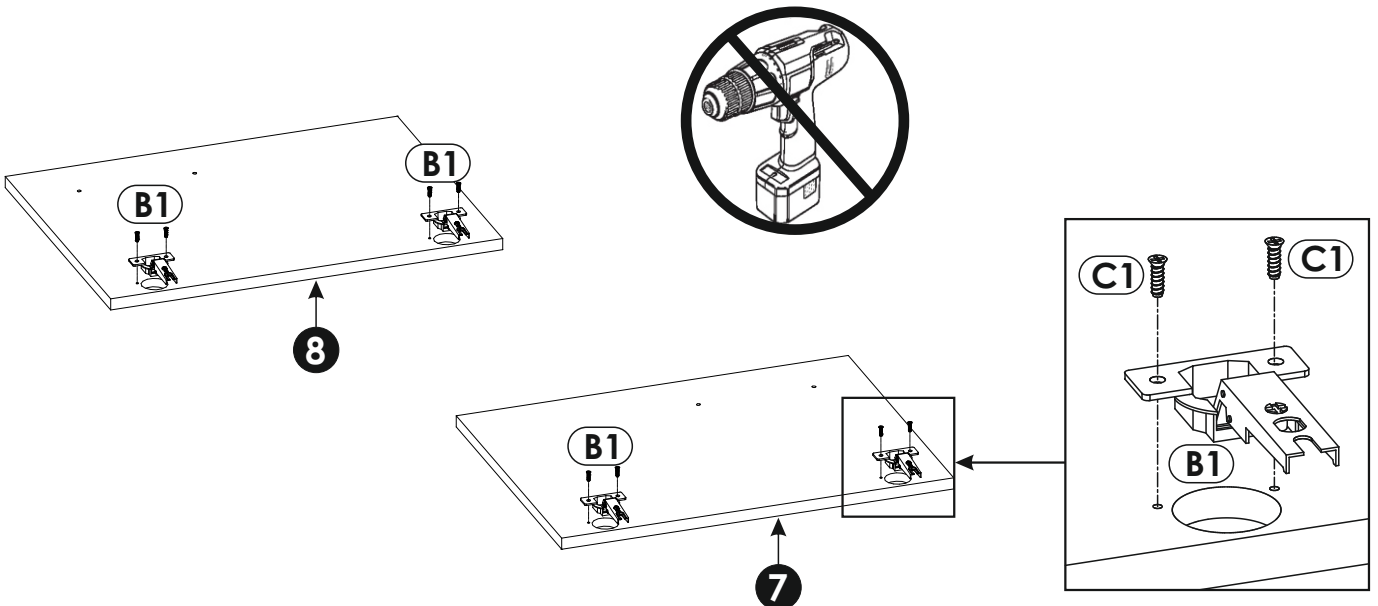
2 ▶



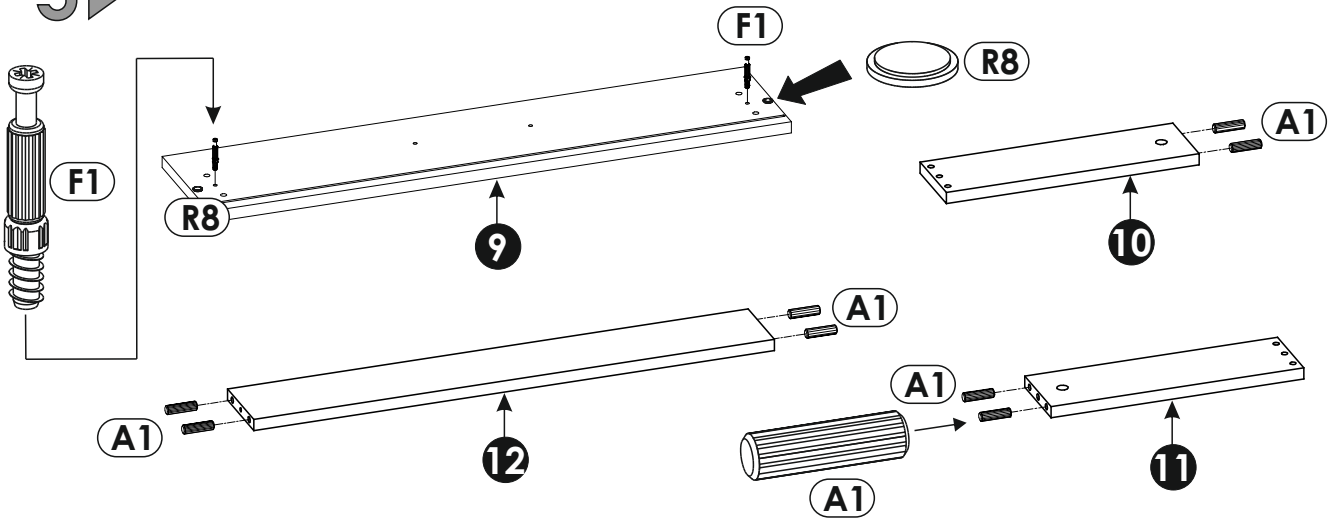
3 ▶



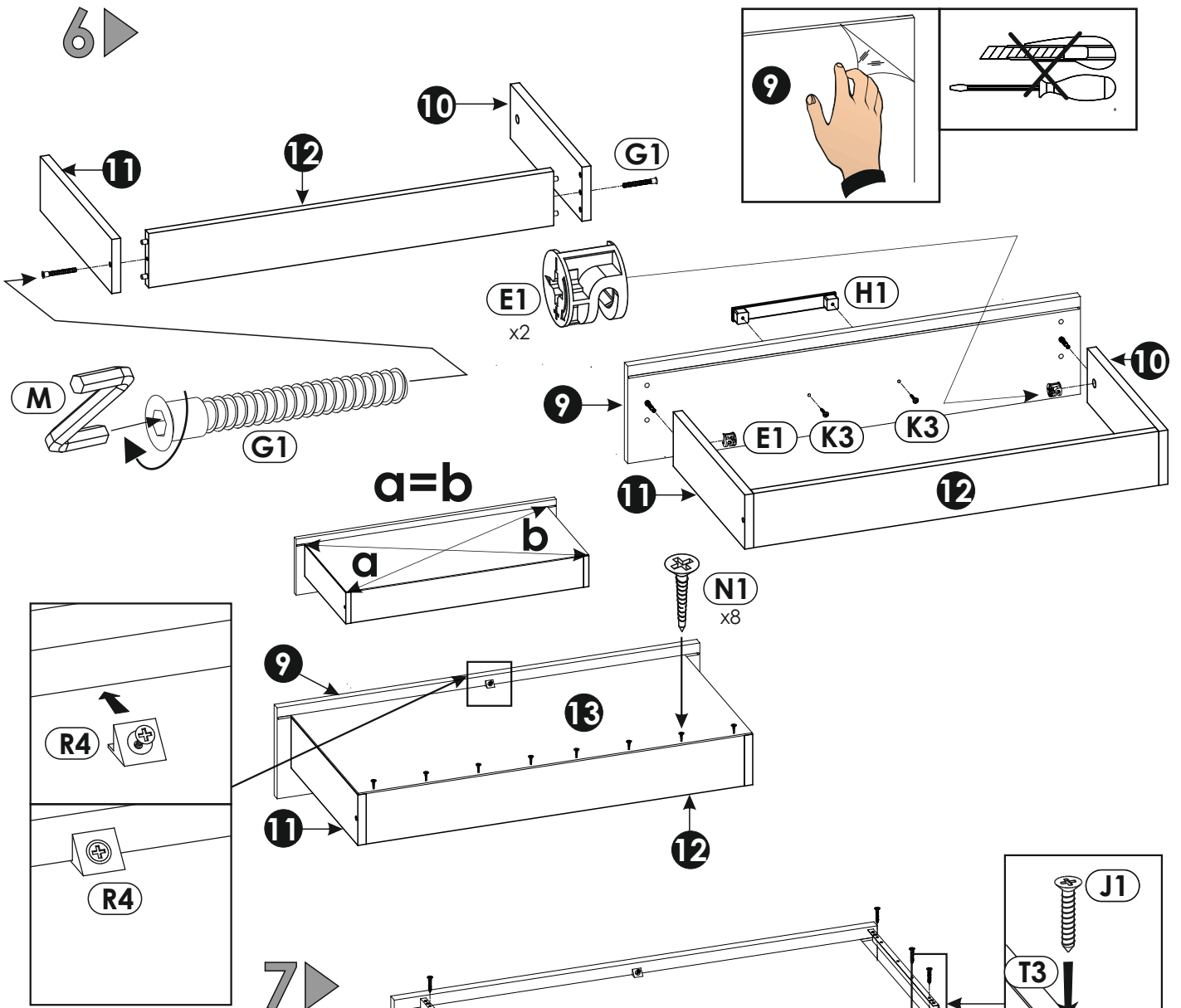
4 ▶



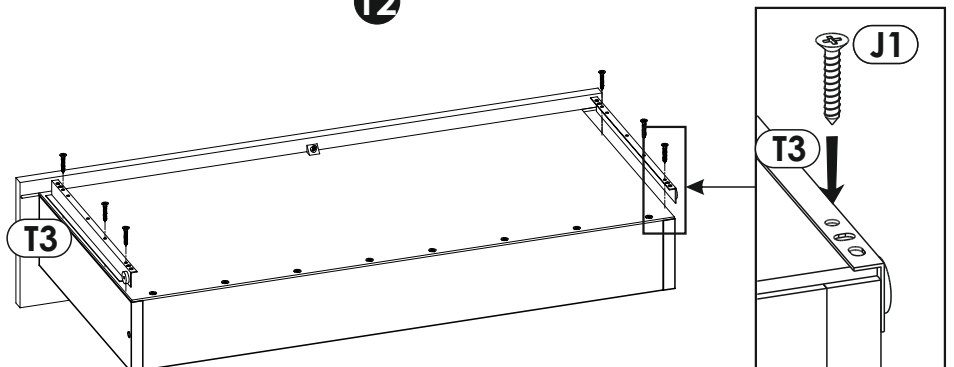
5 ▶



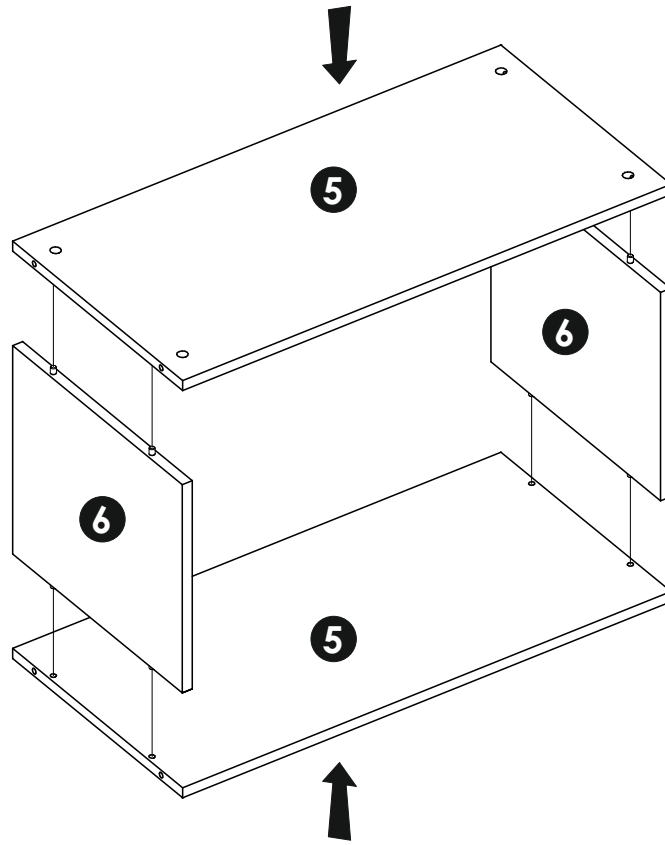
6 ▶



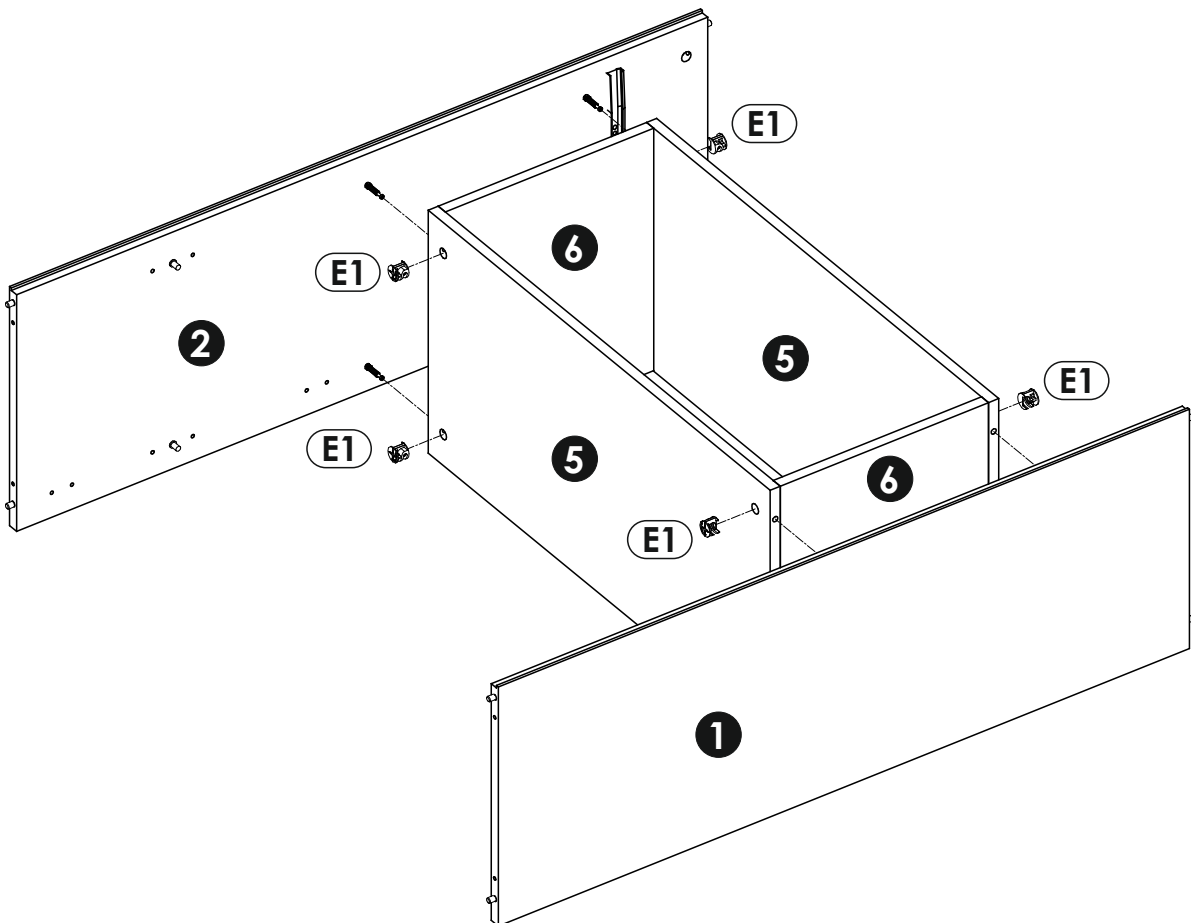
7 ▶

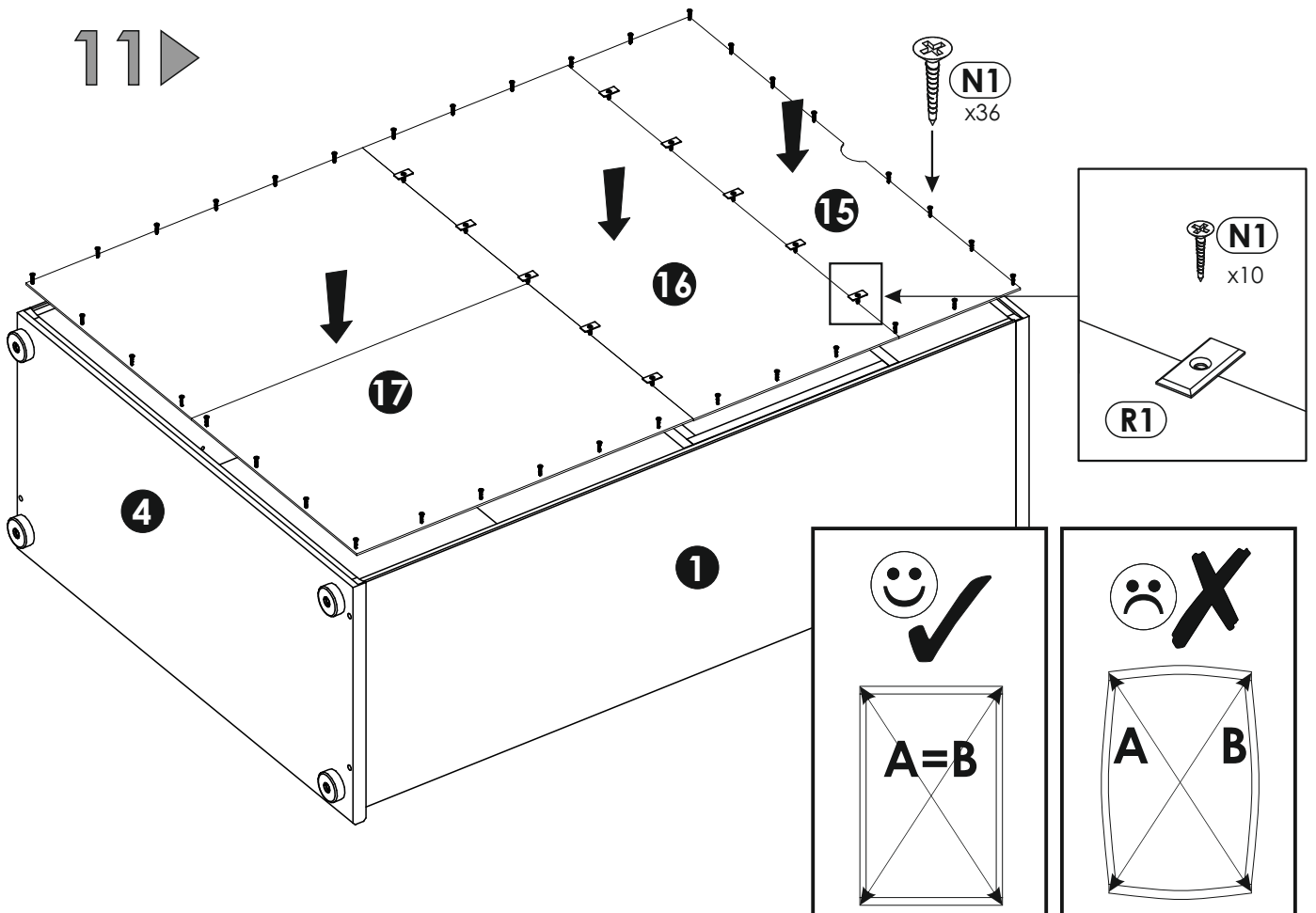
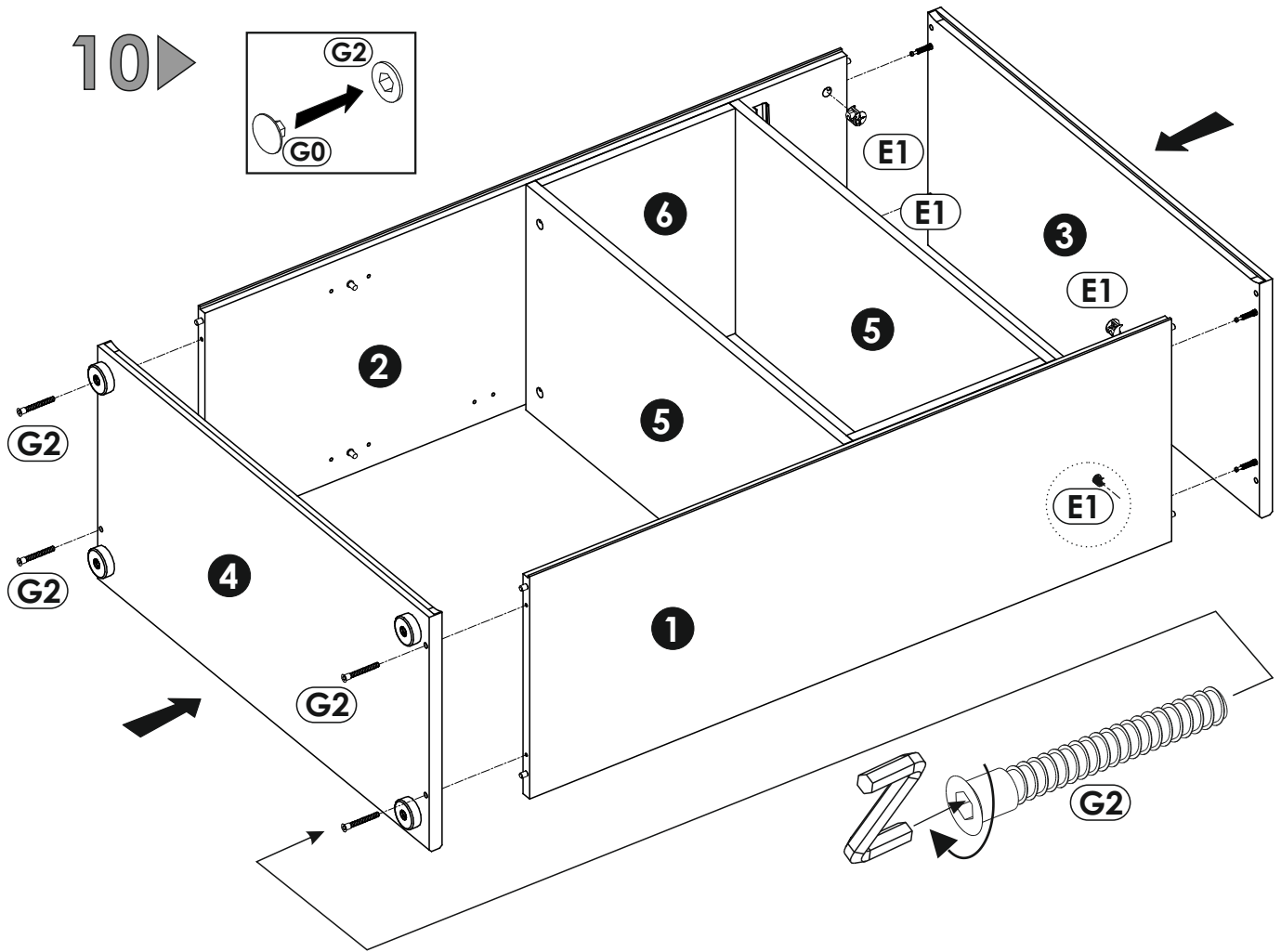


8 ▶

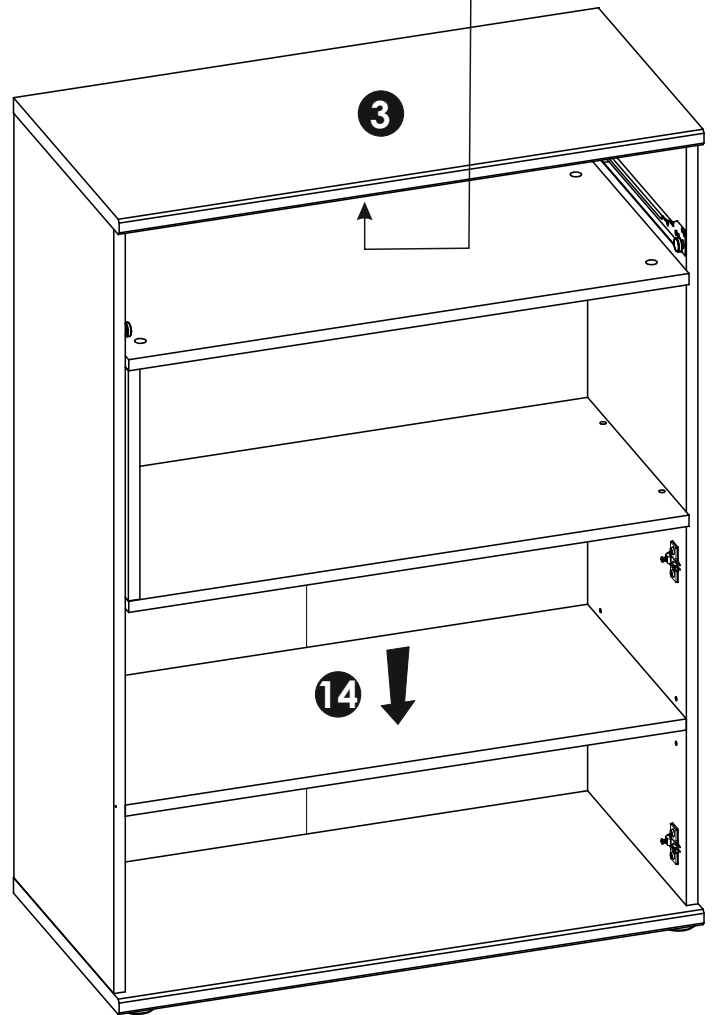
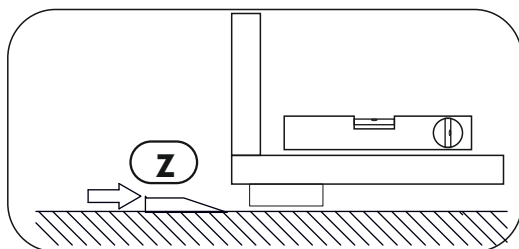
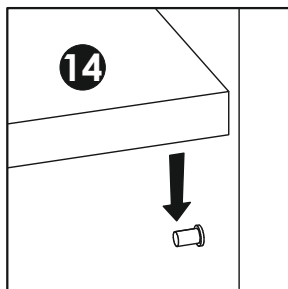
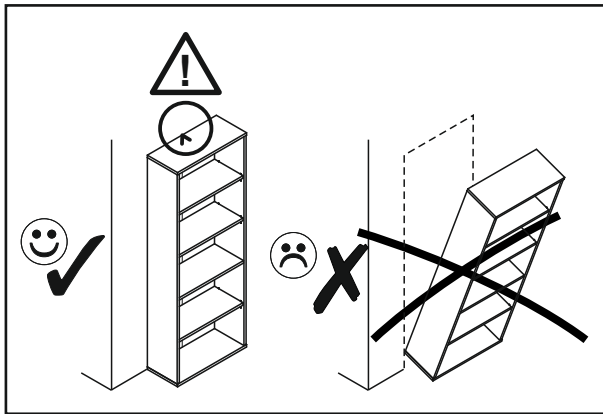
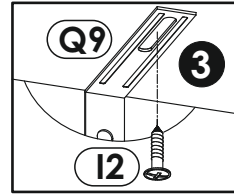
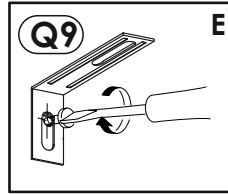
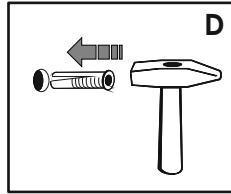
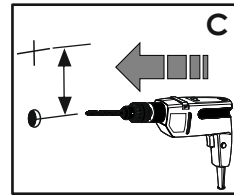
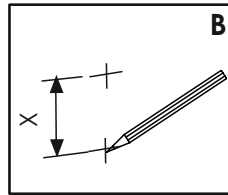
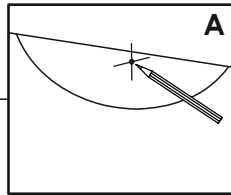
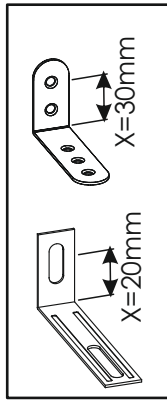


9 ▶

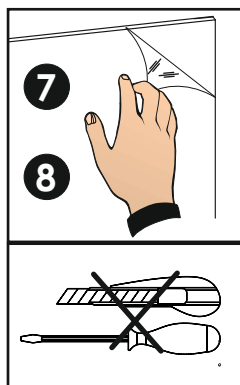
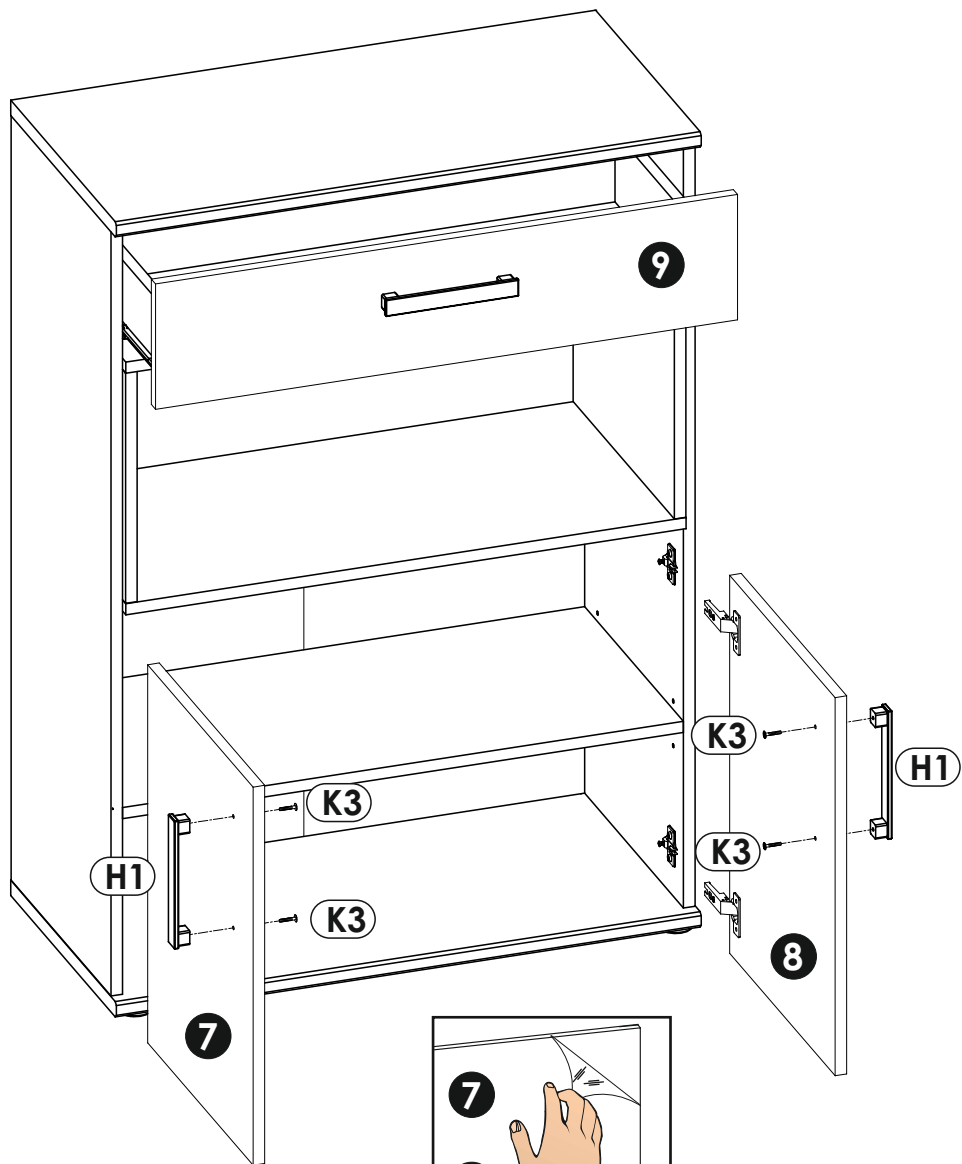
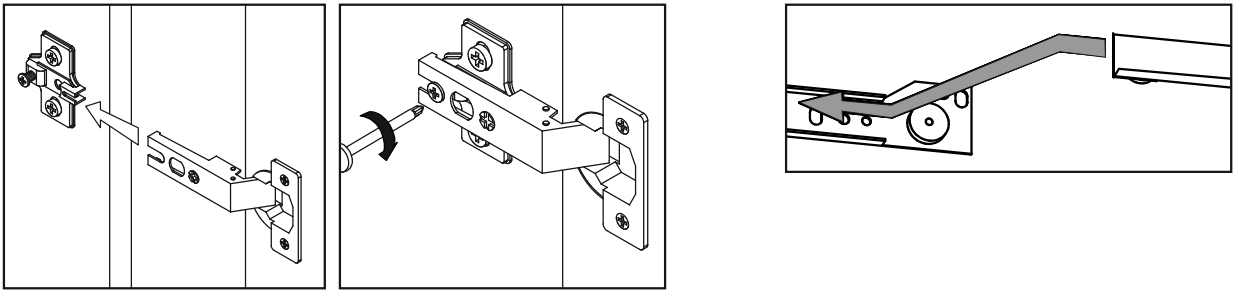




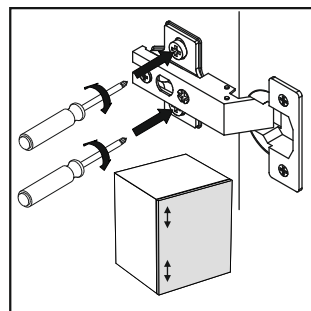
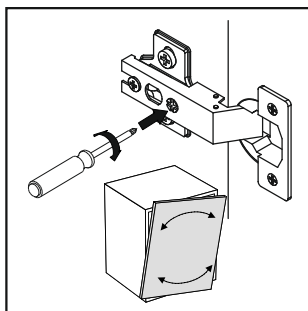
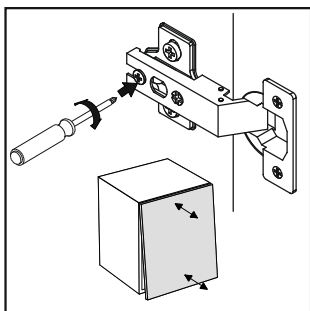
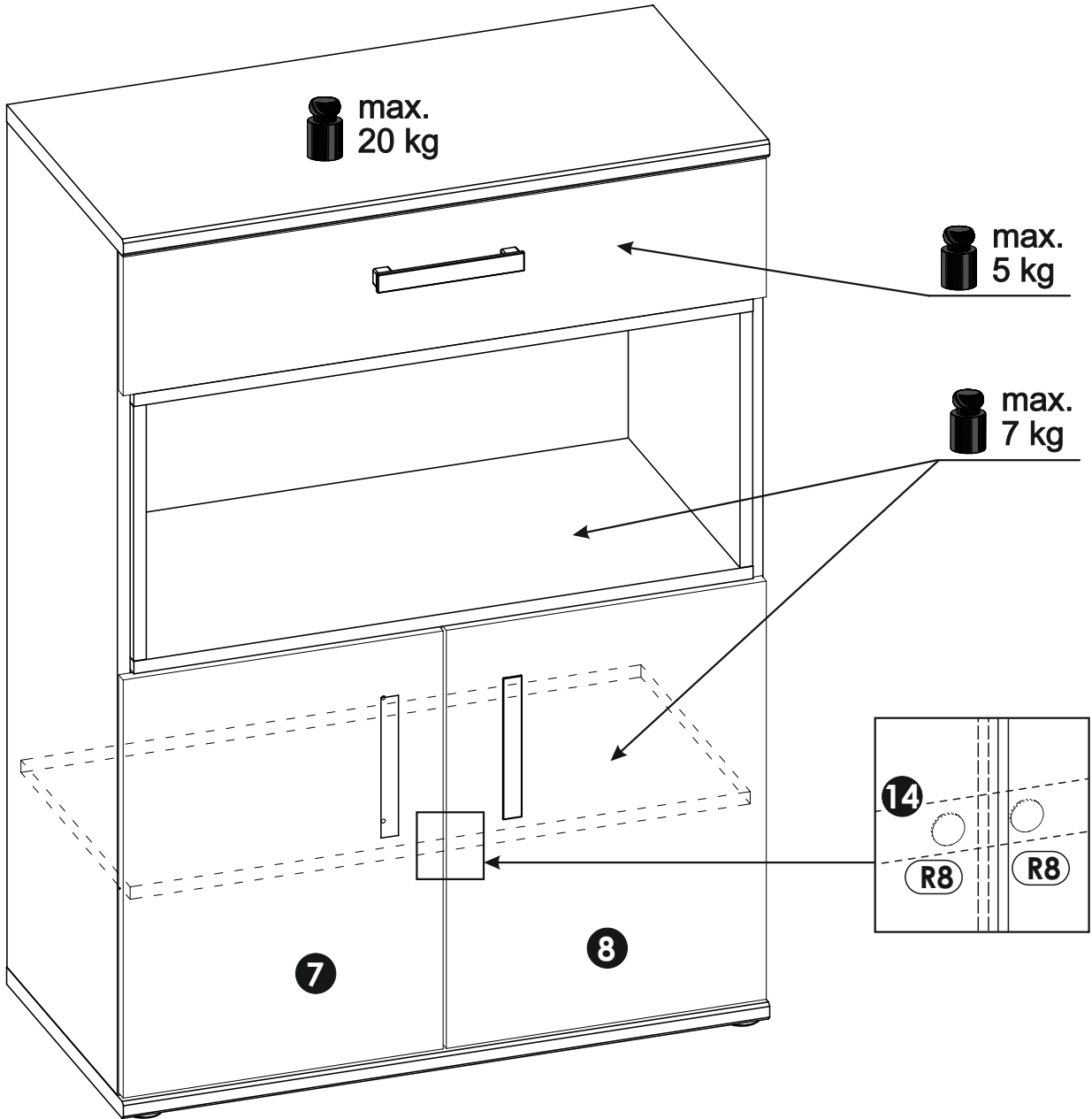
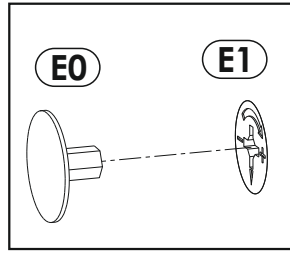
12▶

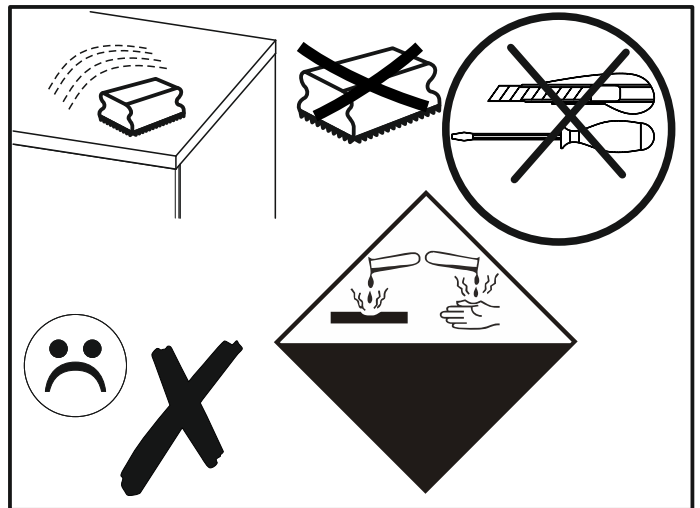


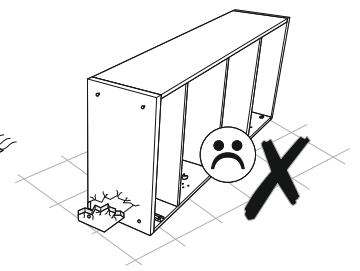
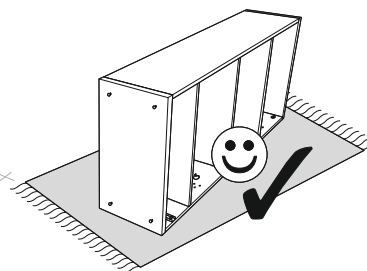
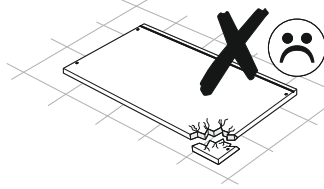
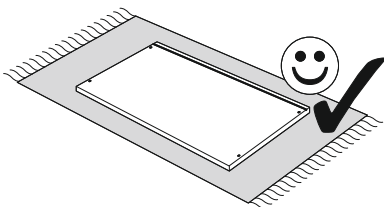
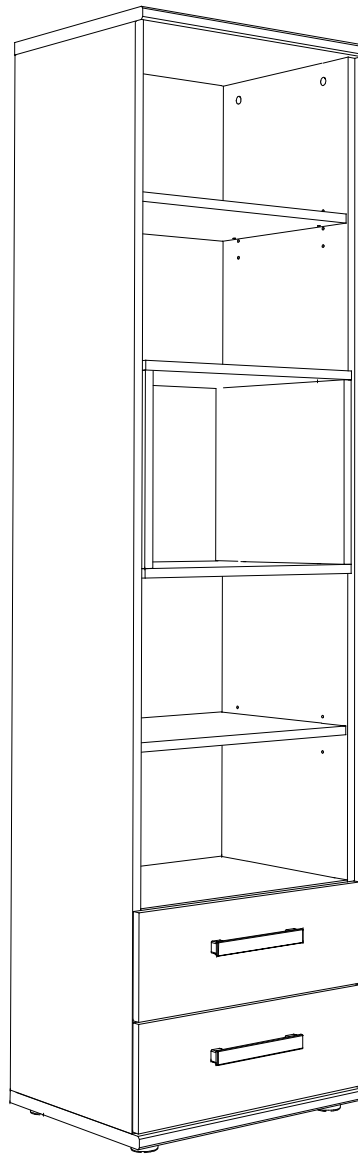
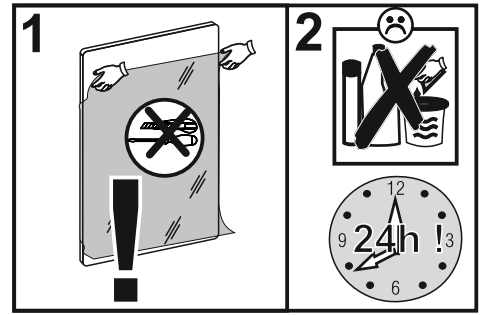
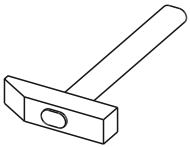
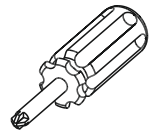
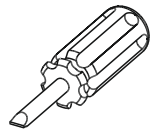
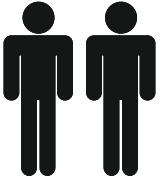
13 ▶





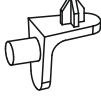
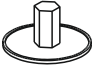









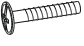
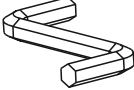

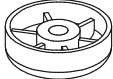

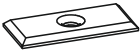
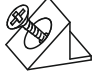


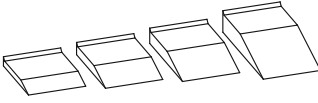
14▶

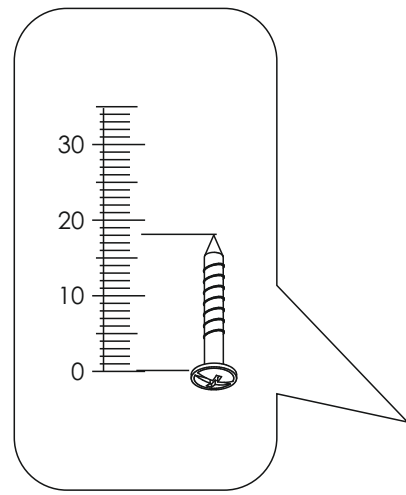
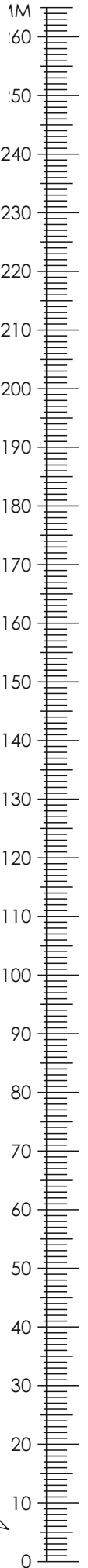


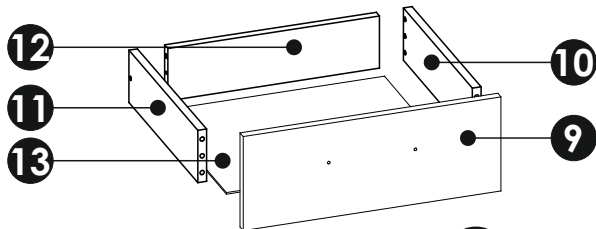
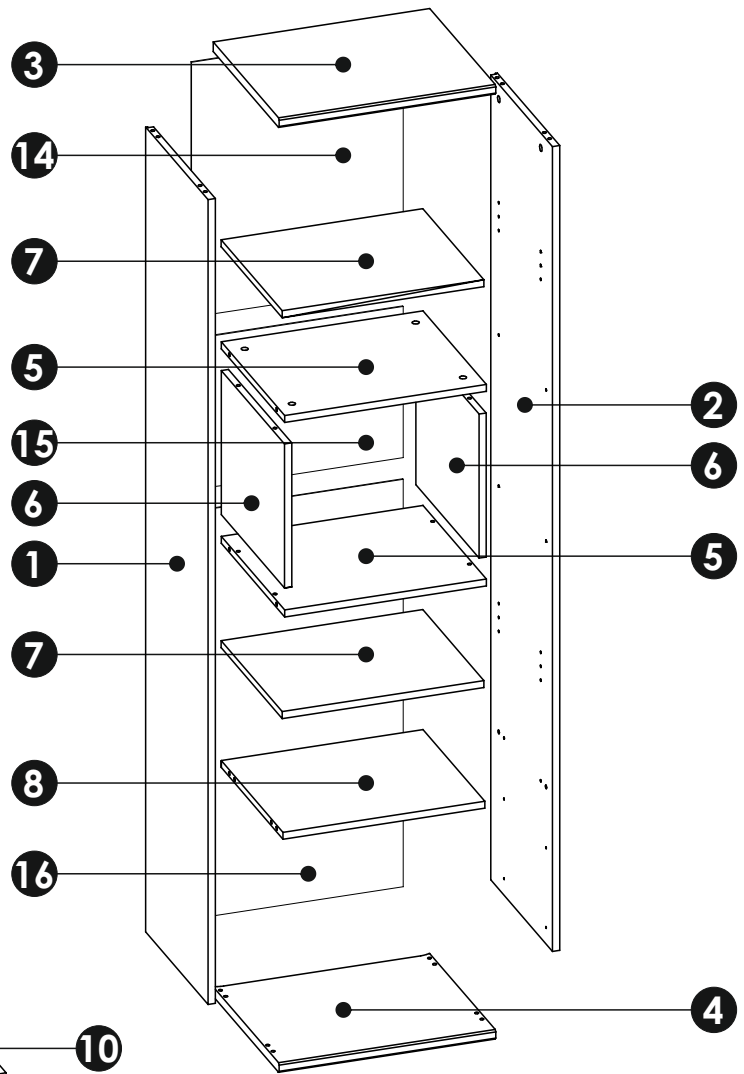
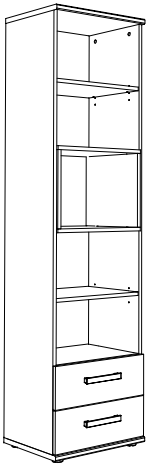






A1 x36 	C2 x8 5 x 13 mm 	D6 x8 
E0 x20 	E1 x20 	F1 x20 
G0 x8 	G1 x4 $\phi 7$ x 50 mm 	G2 x4 $\phi 7$ x 60 mm 
H1 x2 	I2 x1 4 x 16 mm 	J1 x12 3 x 20 mm 
I10 x4 3,5 x 22 mm 	K3 x4 M4 x 22 mm 	M x1 
N1 x60 3 x 16 mm 	O1 x4 	Q9 x1 
R1 x4 	R4 x2 	R8 x4 
T3 x2 L-350 	Z x1 	

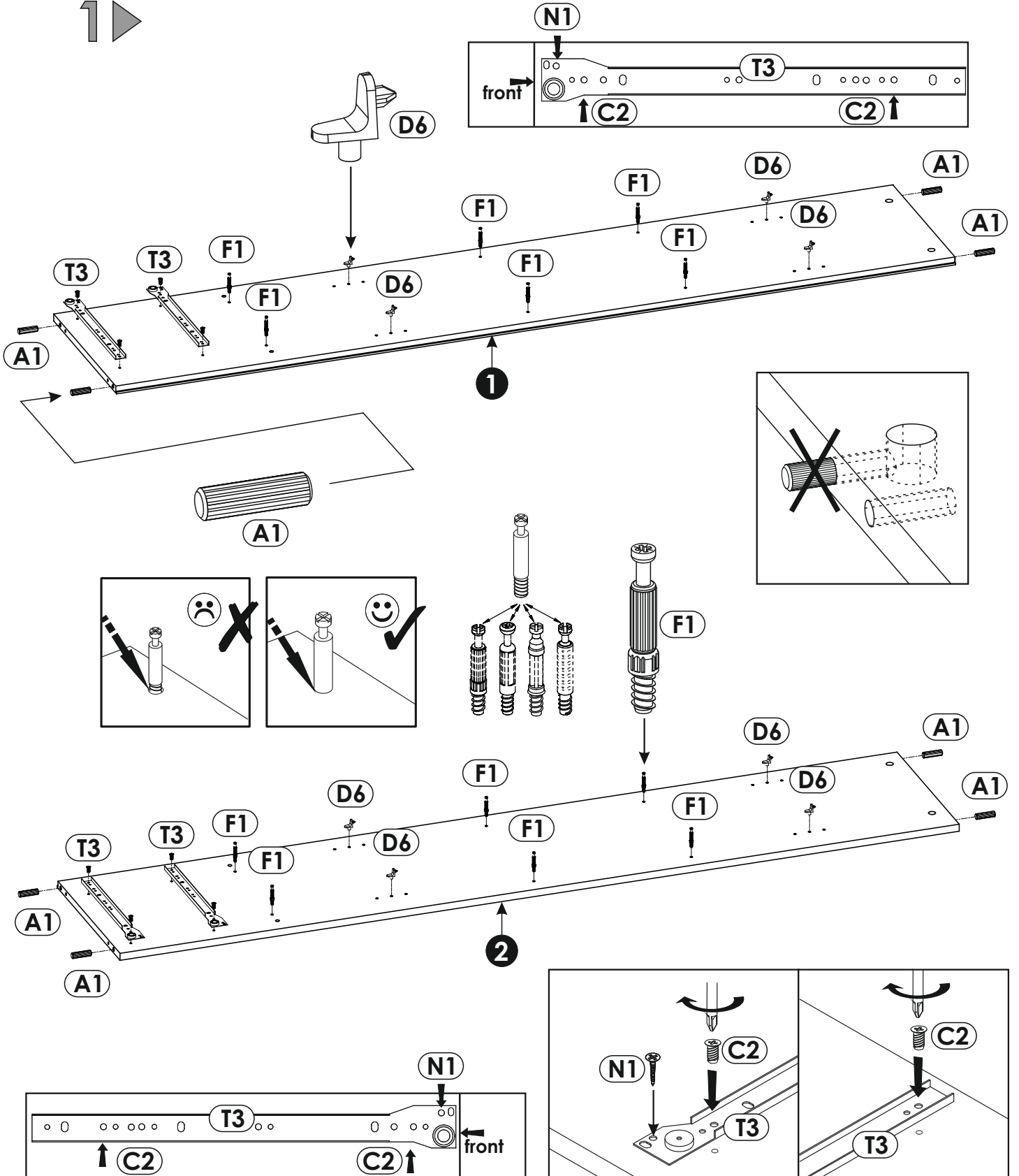
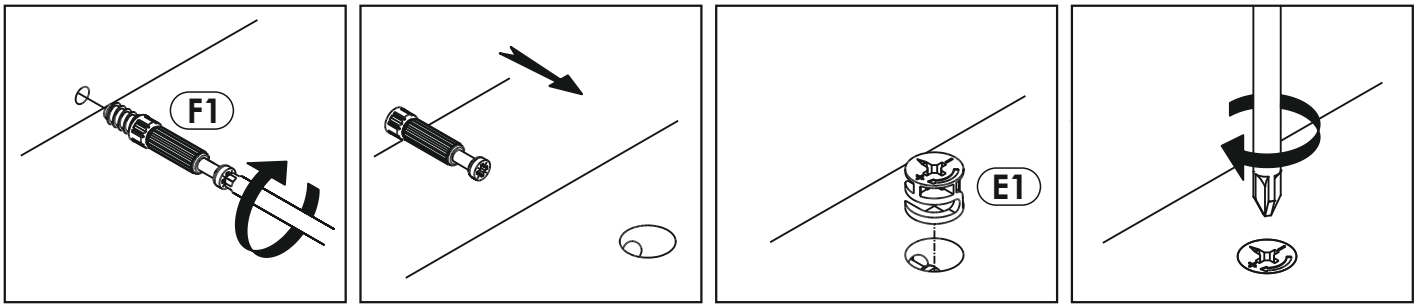




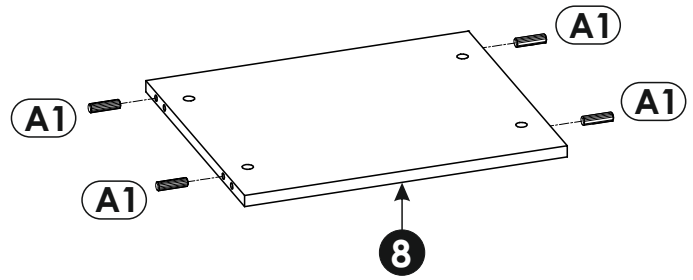
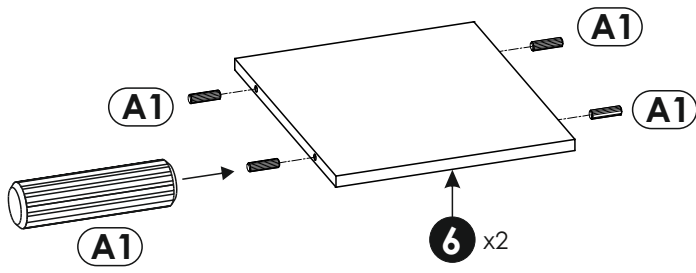
x2

1	1849	380	16	x1	2/2
2	1849	380	16	x1	2/2
3	480	402	22	x1	1/2
4	480	402	22	x1	1/2
5	447	386	16	x2	2/2
6	331	385	16	x2	2/2
7	447	371	16	x2	2/2
8	447	376	16	x1	2/2

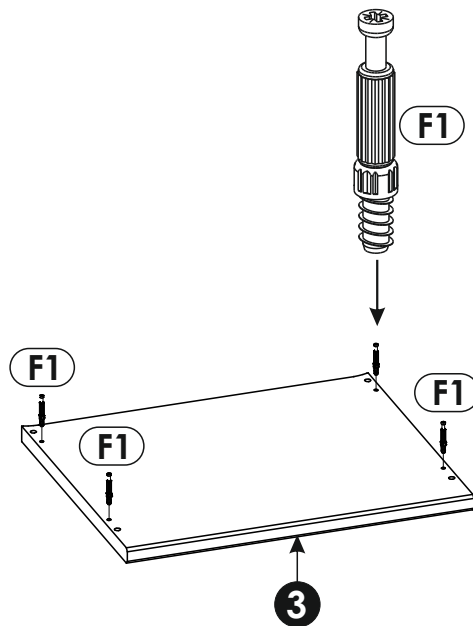
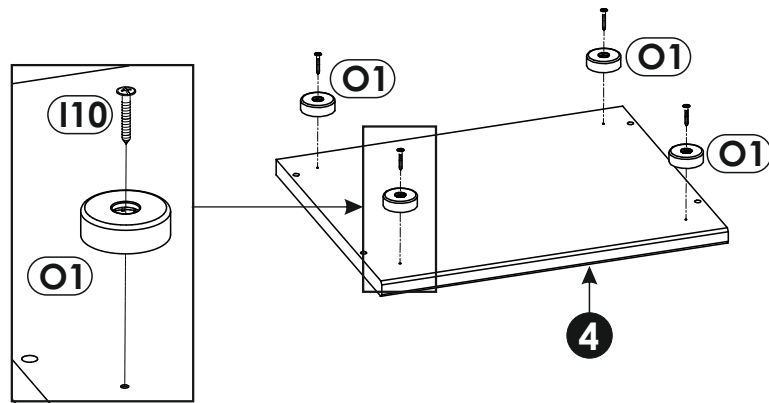
9	476	180	16	x2	1/2
10	350	100	16	x2	1/2
11	350	100	16	x2	1/2
12	391	100	16	x2	1/2
13	421	355	3	x2	1/2
14	587	469	3	x1	1/2
15	469	347	3	x1	1/2
16	937	469	3	x1	1/2



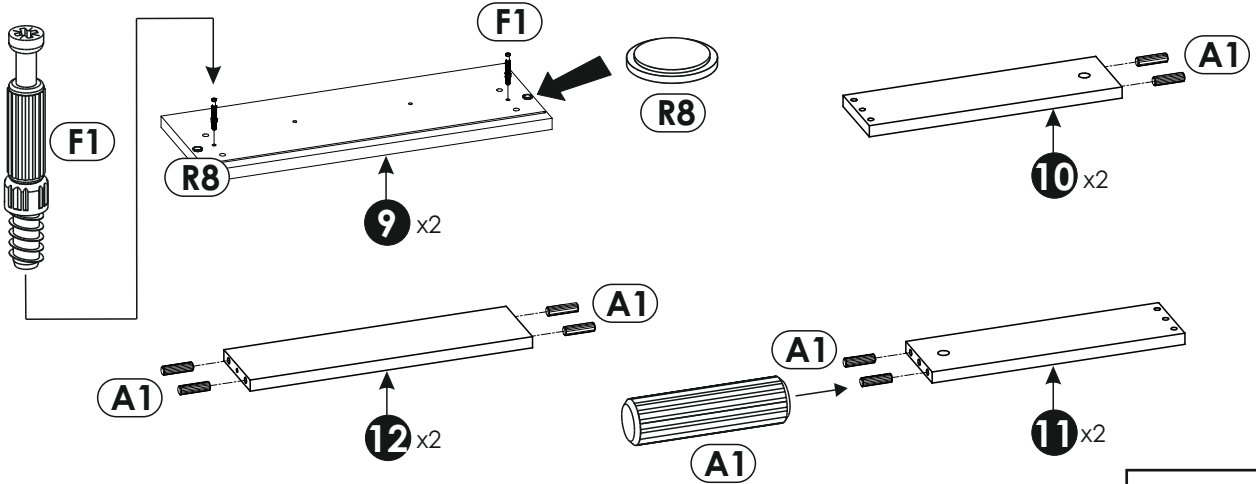
2 ▶



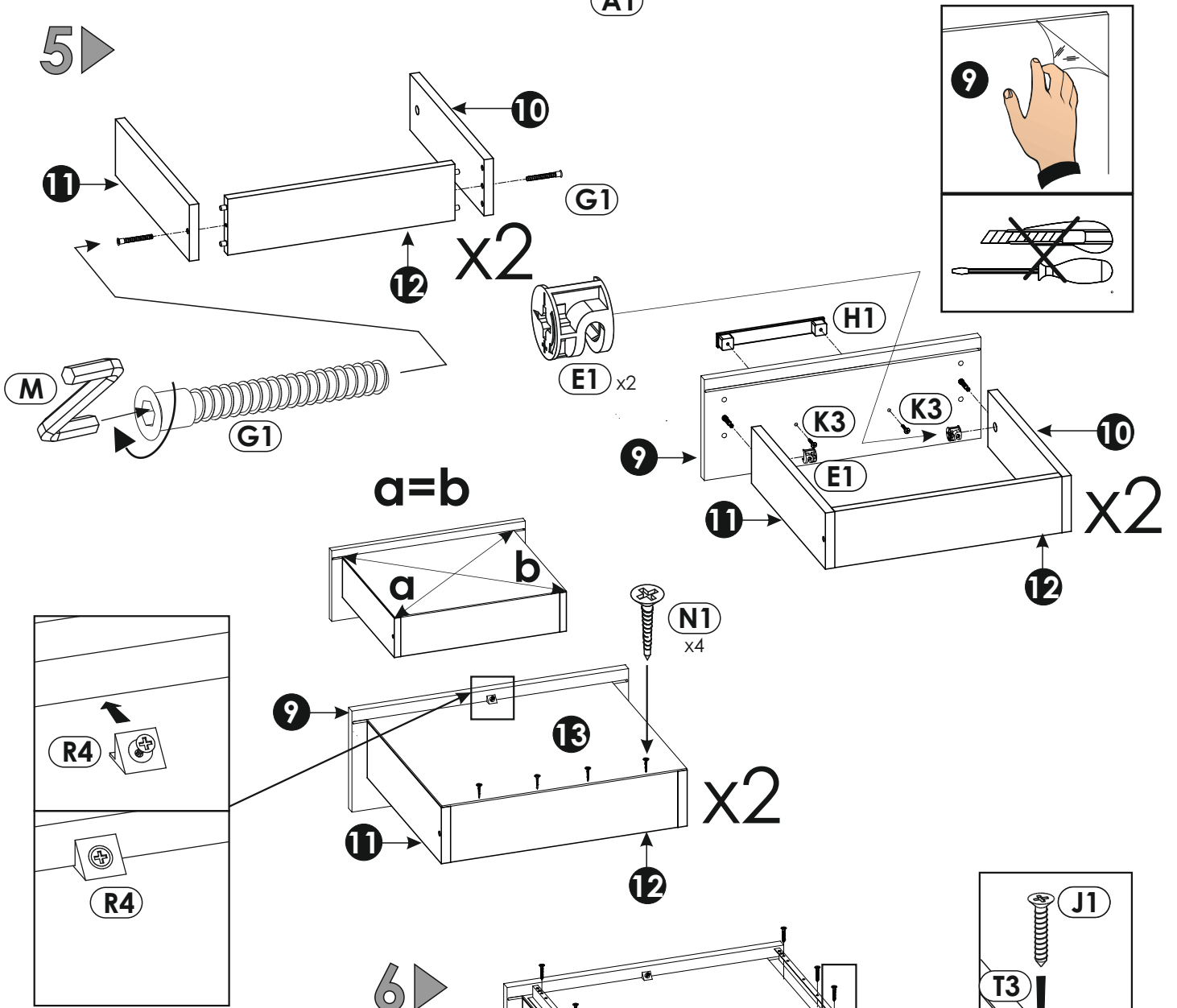
3 ▶



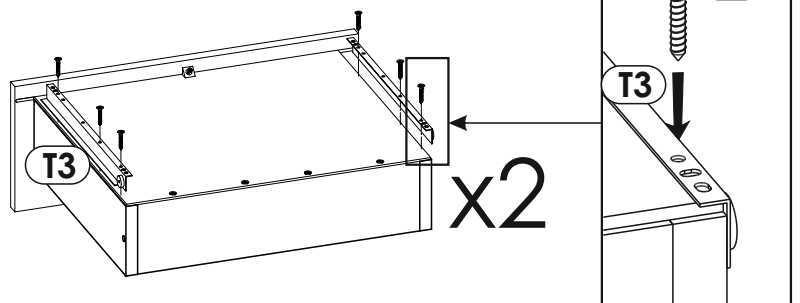
4



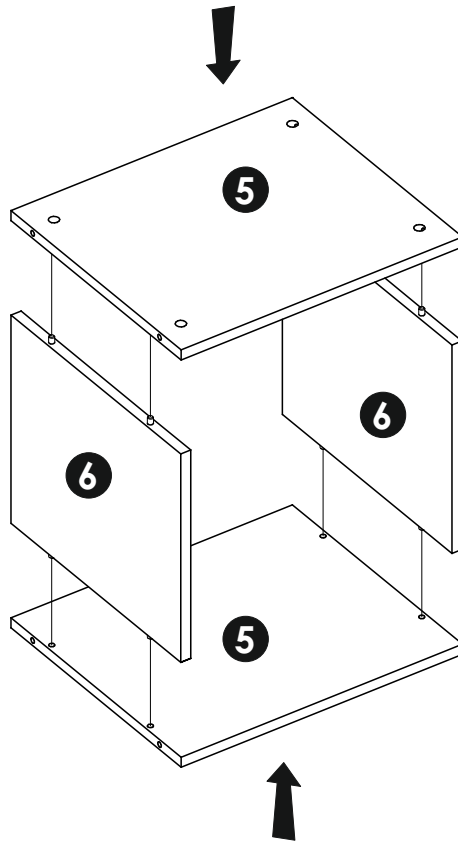
5



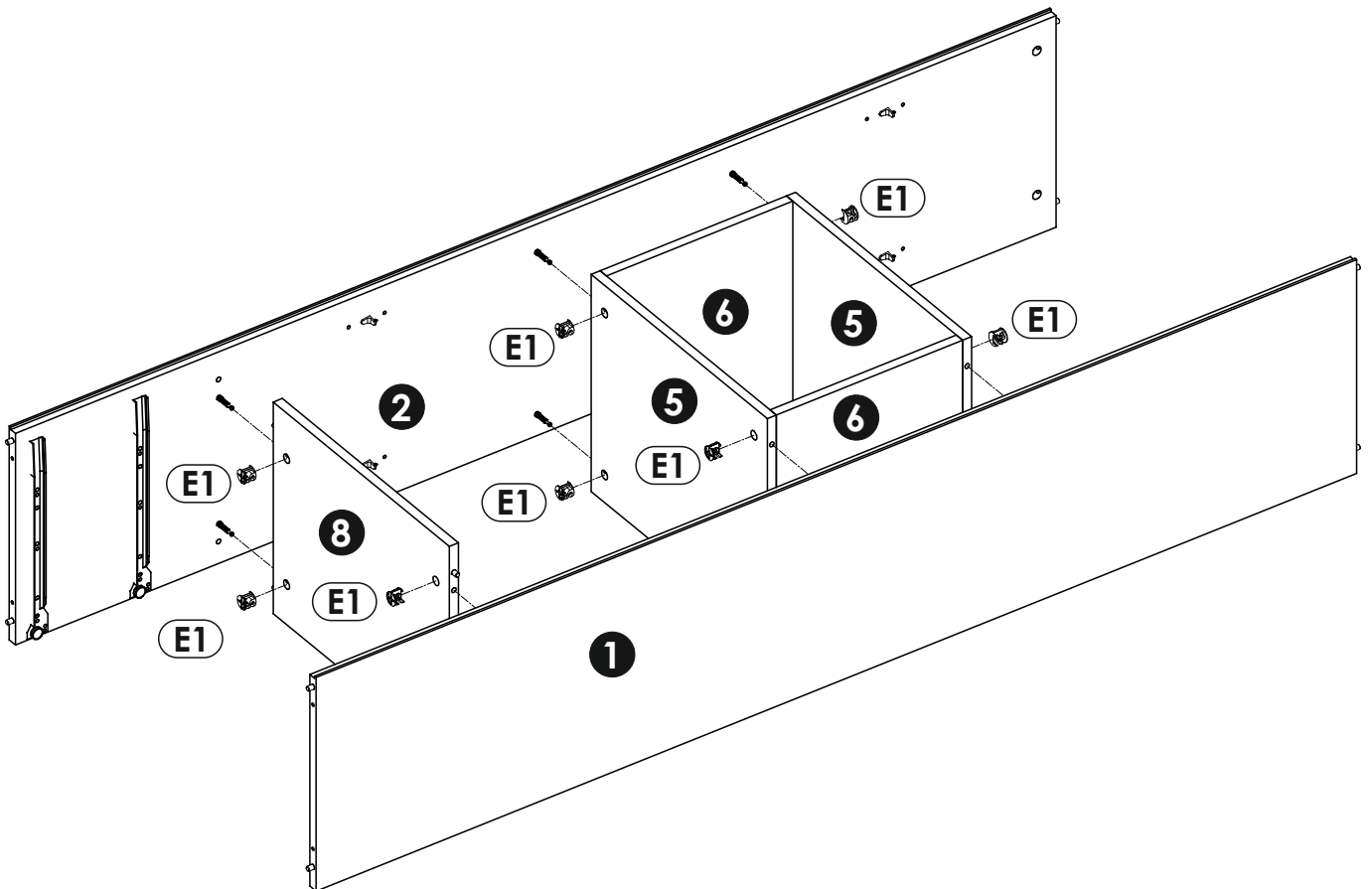
6



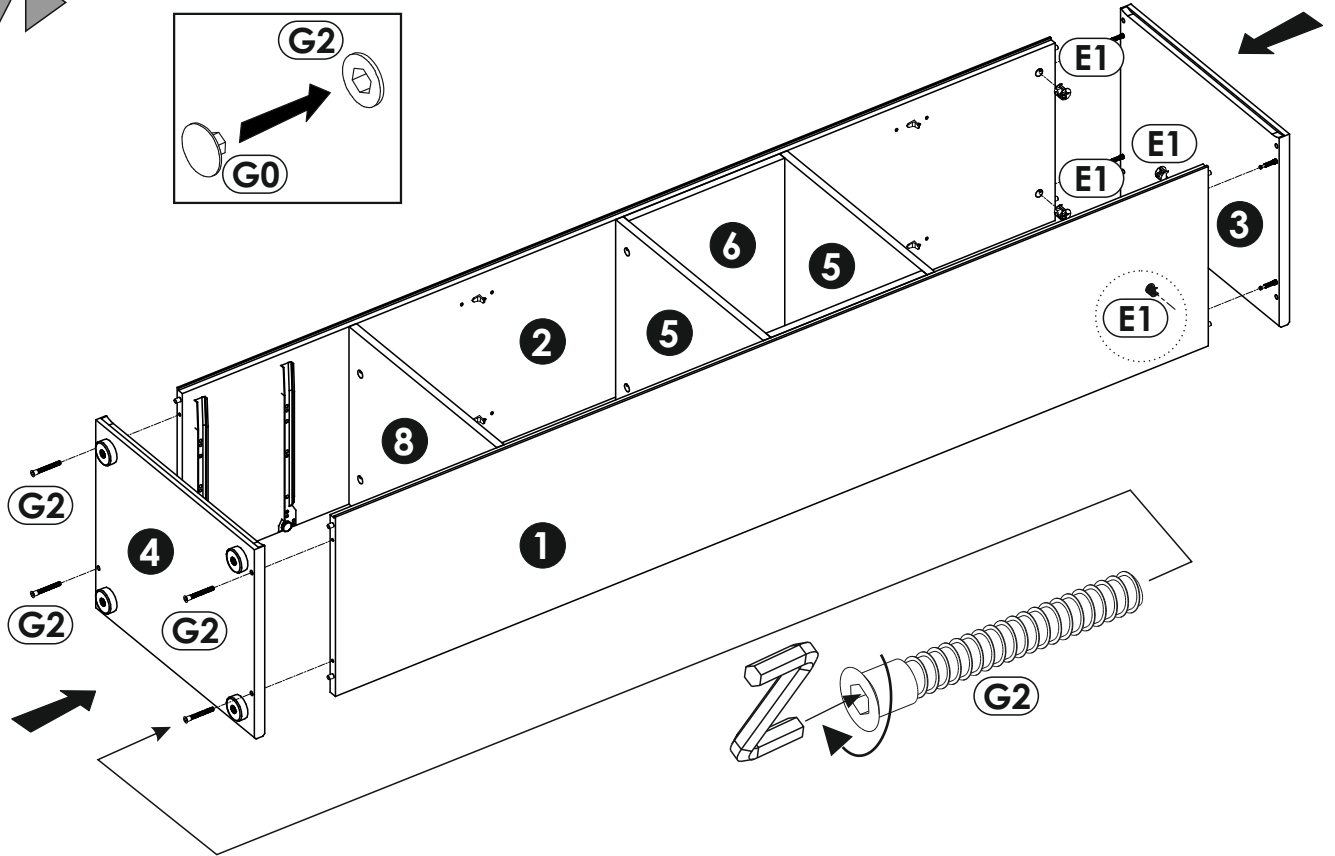
7 ▶



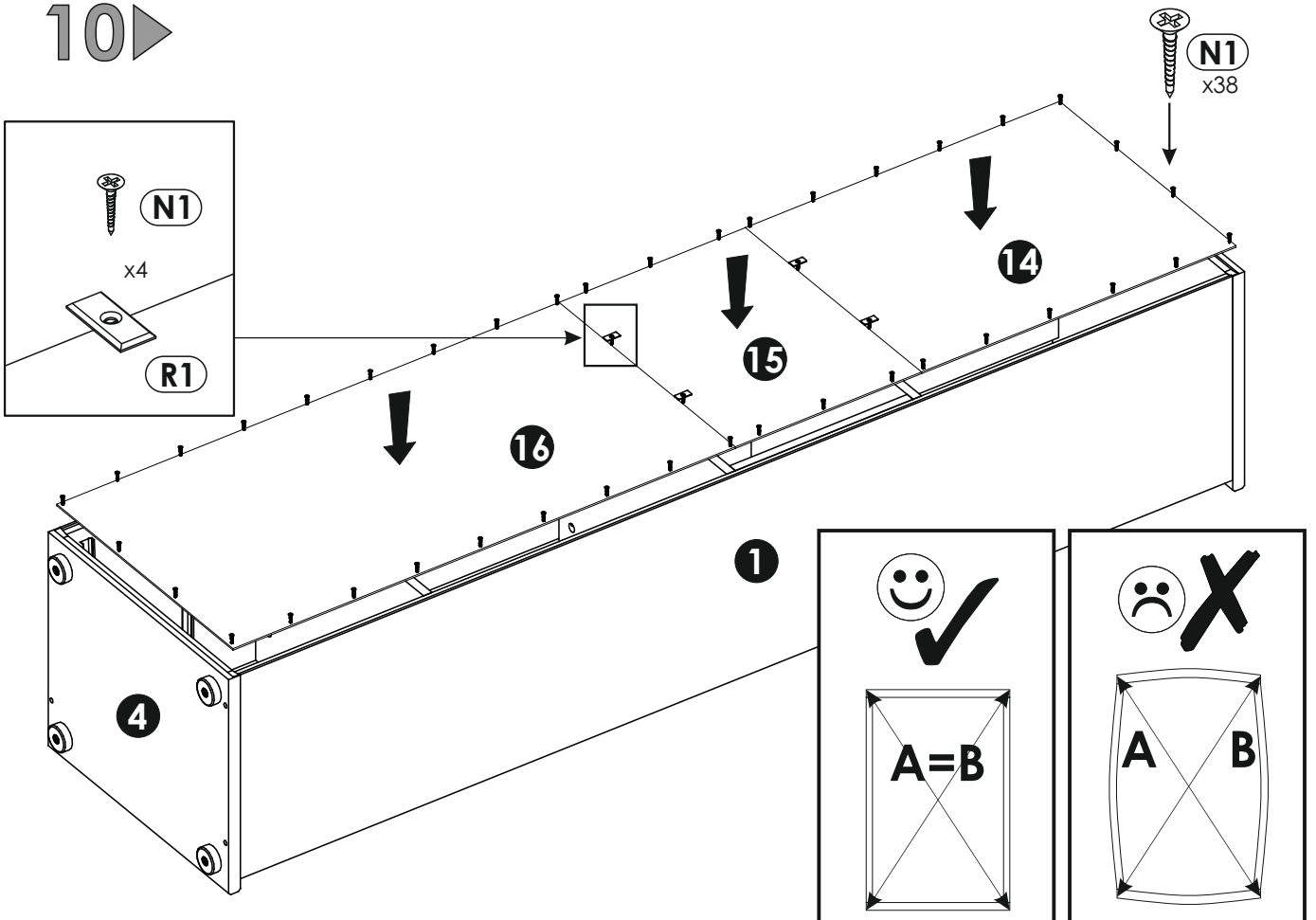
8 ▶



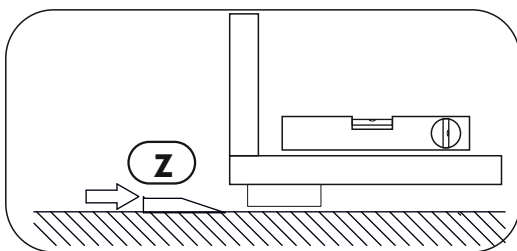
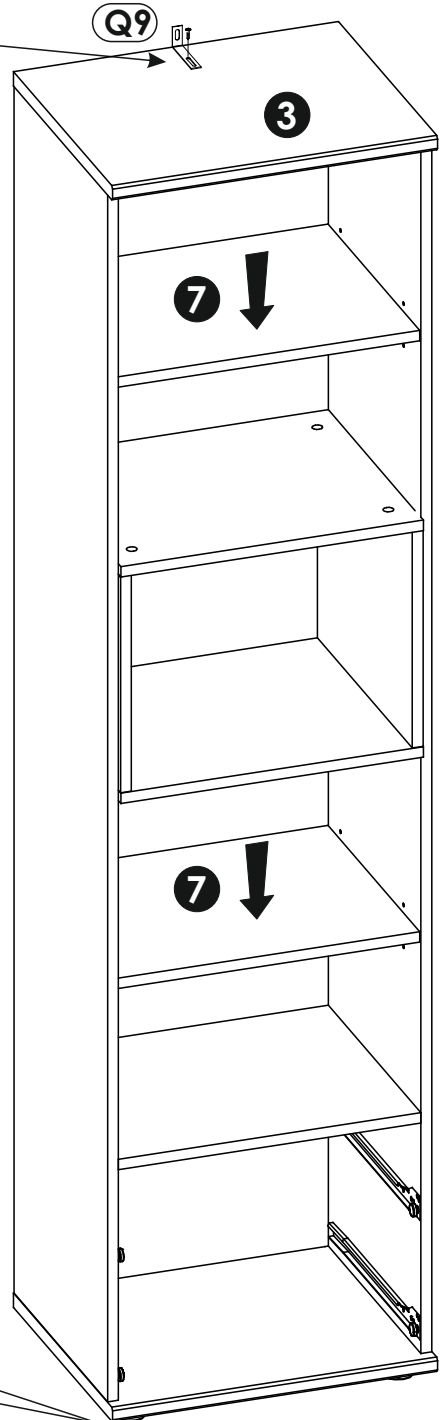
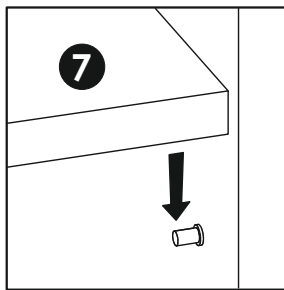
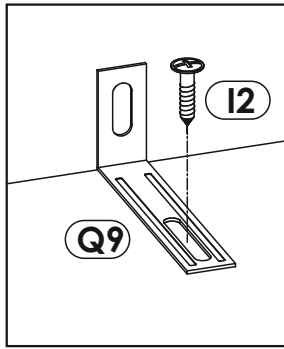
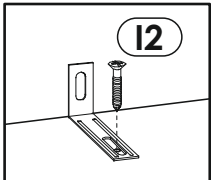
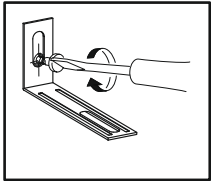
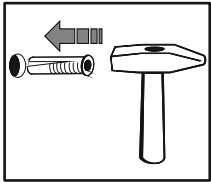
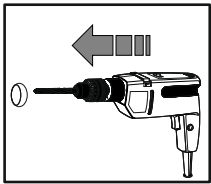
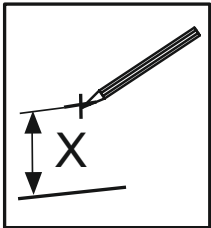
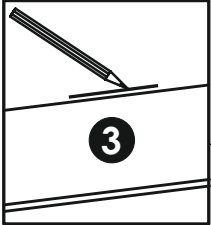
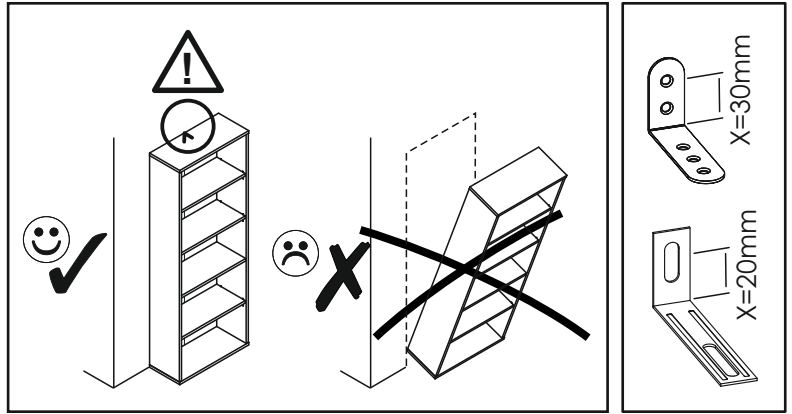
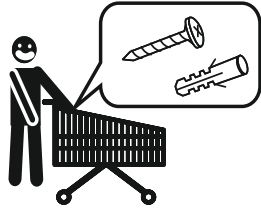
9 ▶



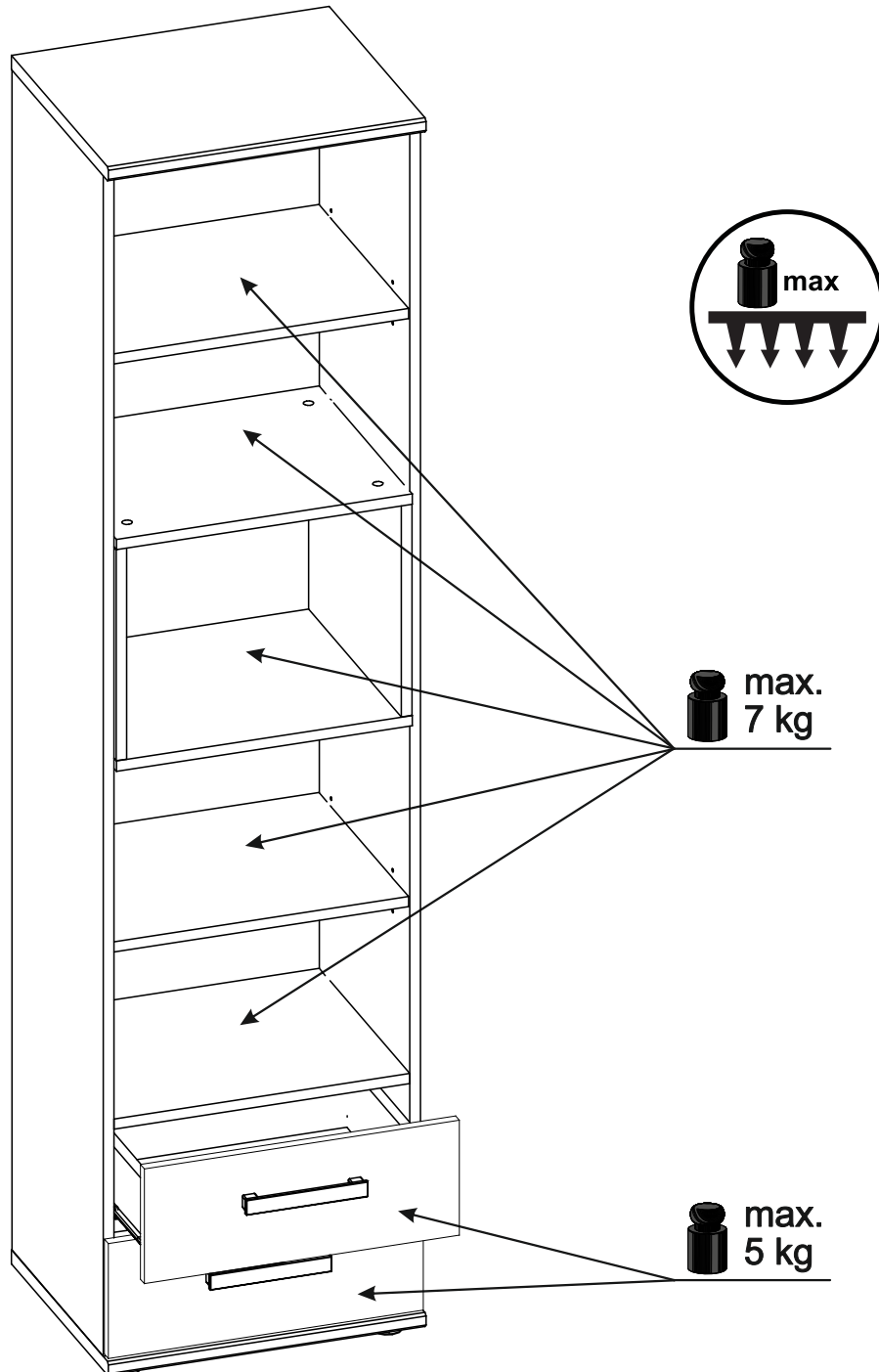
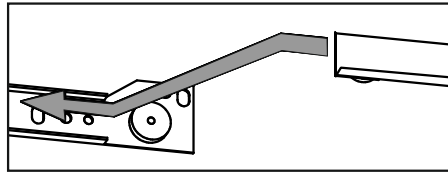
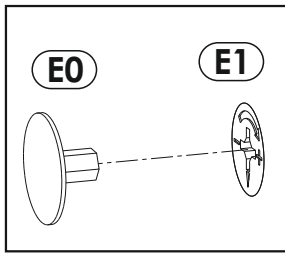
10 ▶

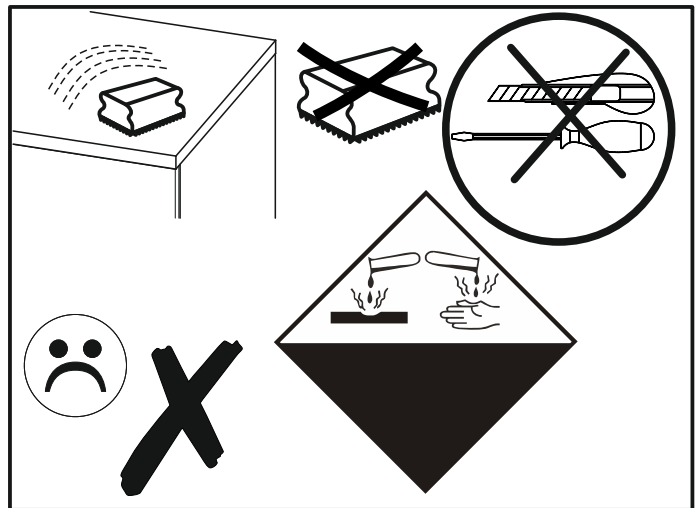


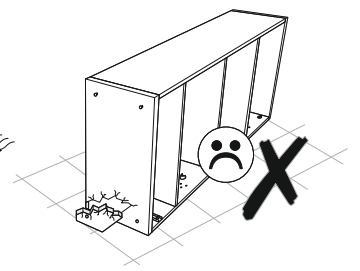
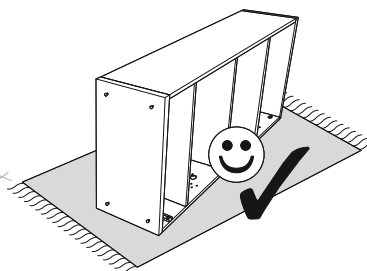
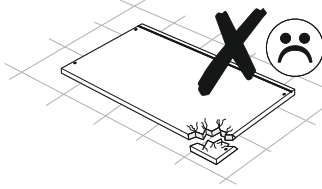
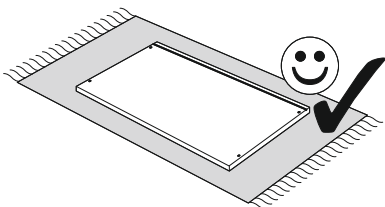
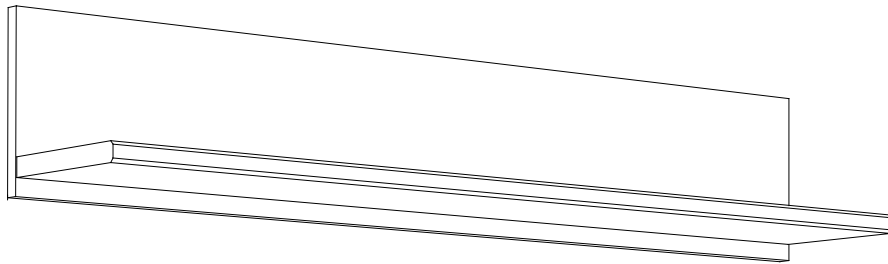
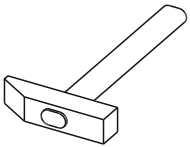
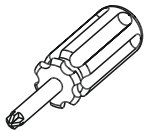
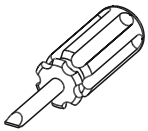
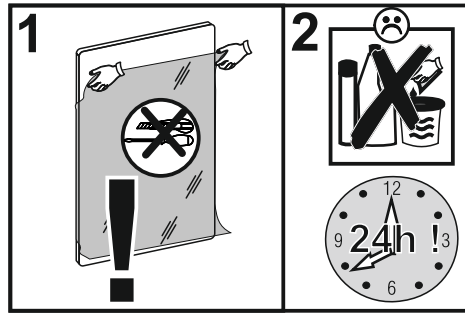
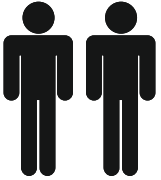
11 ▶

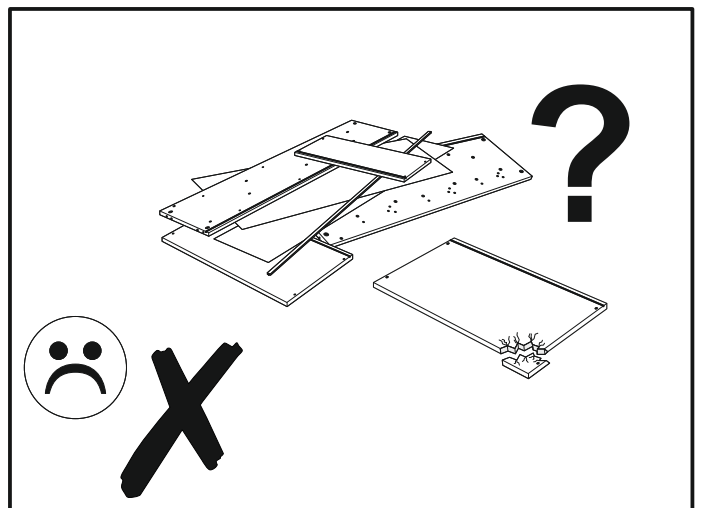
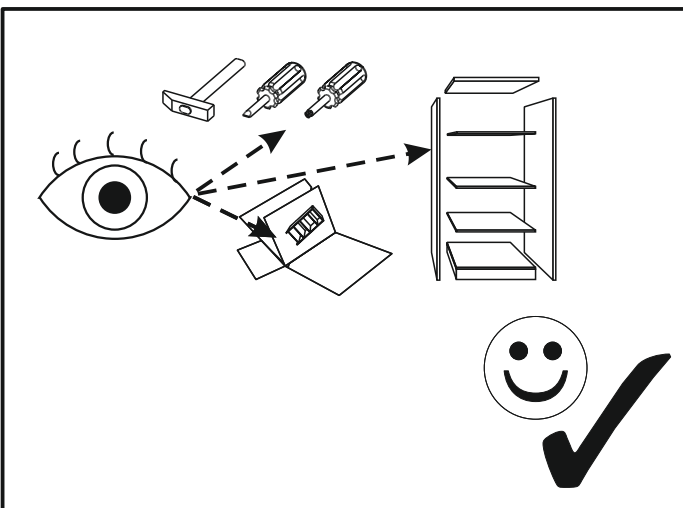
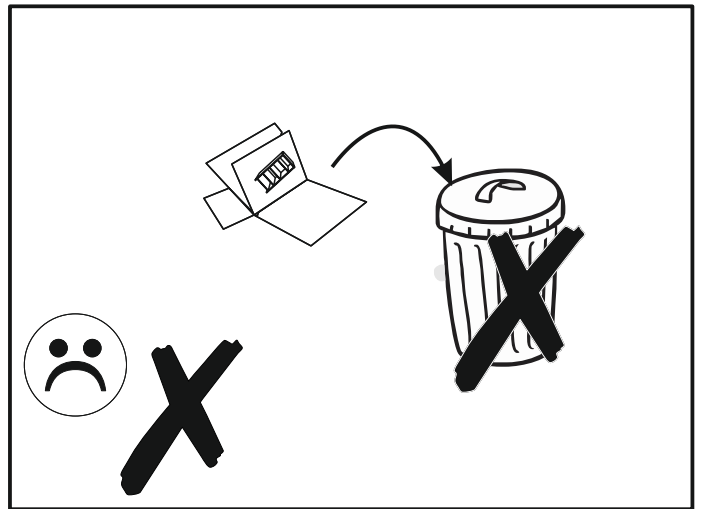
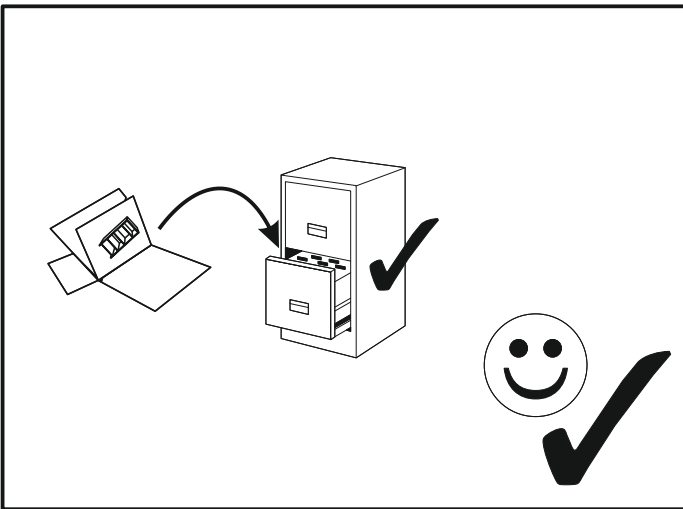
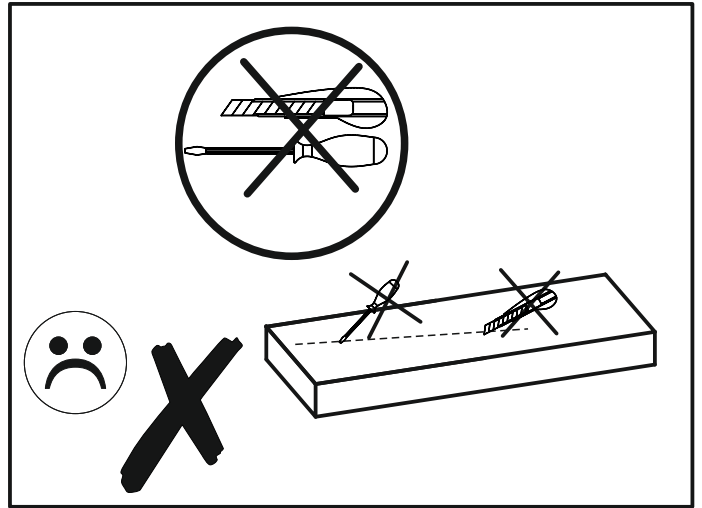
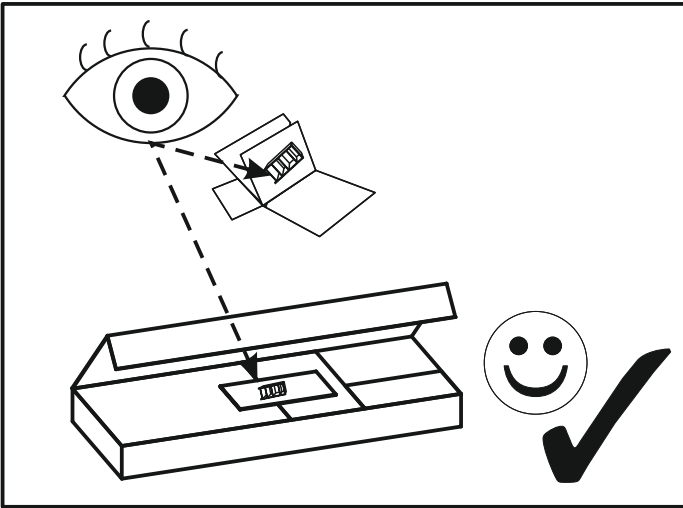






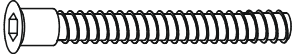
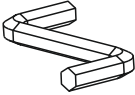


12▶

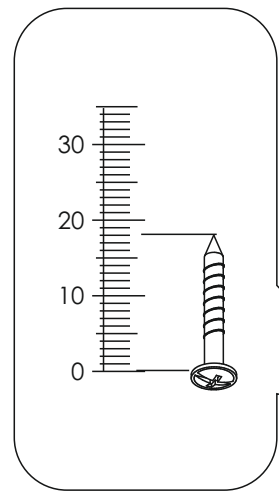
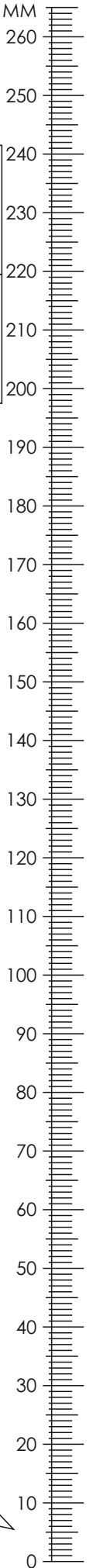


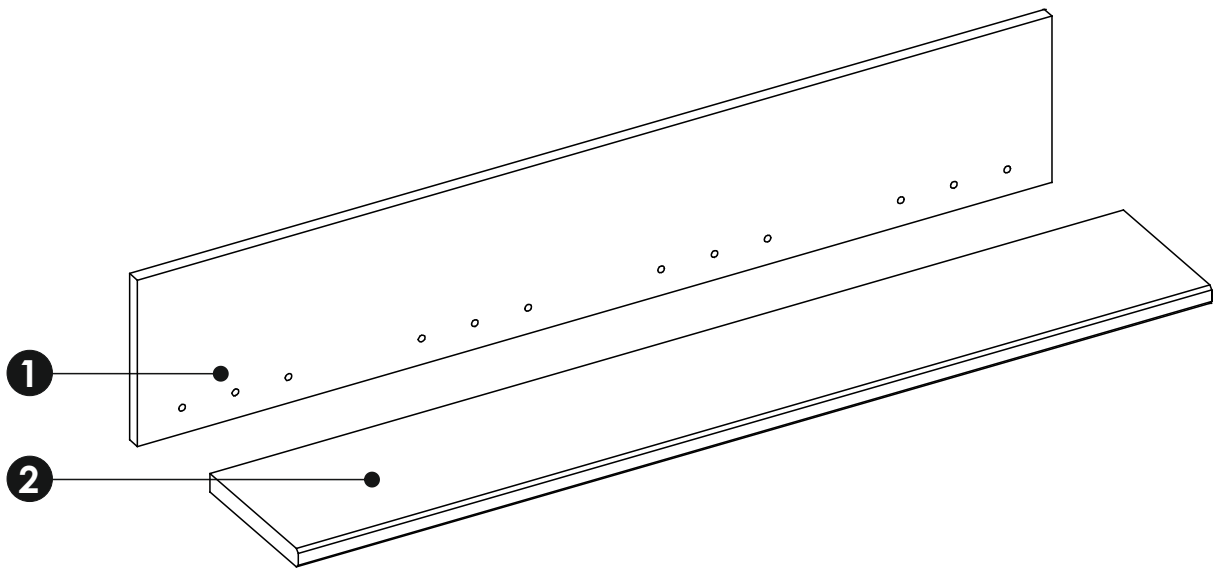
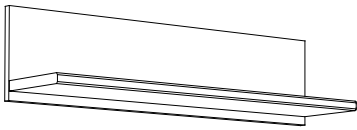




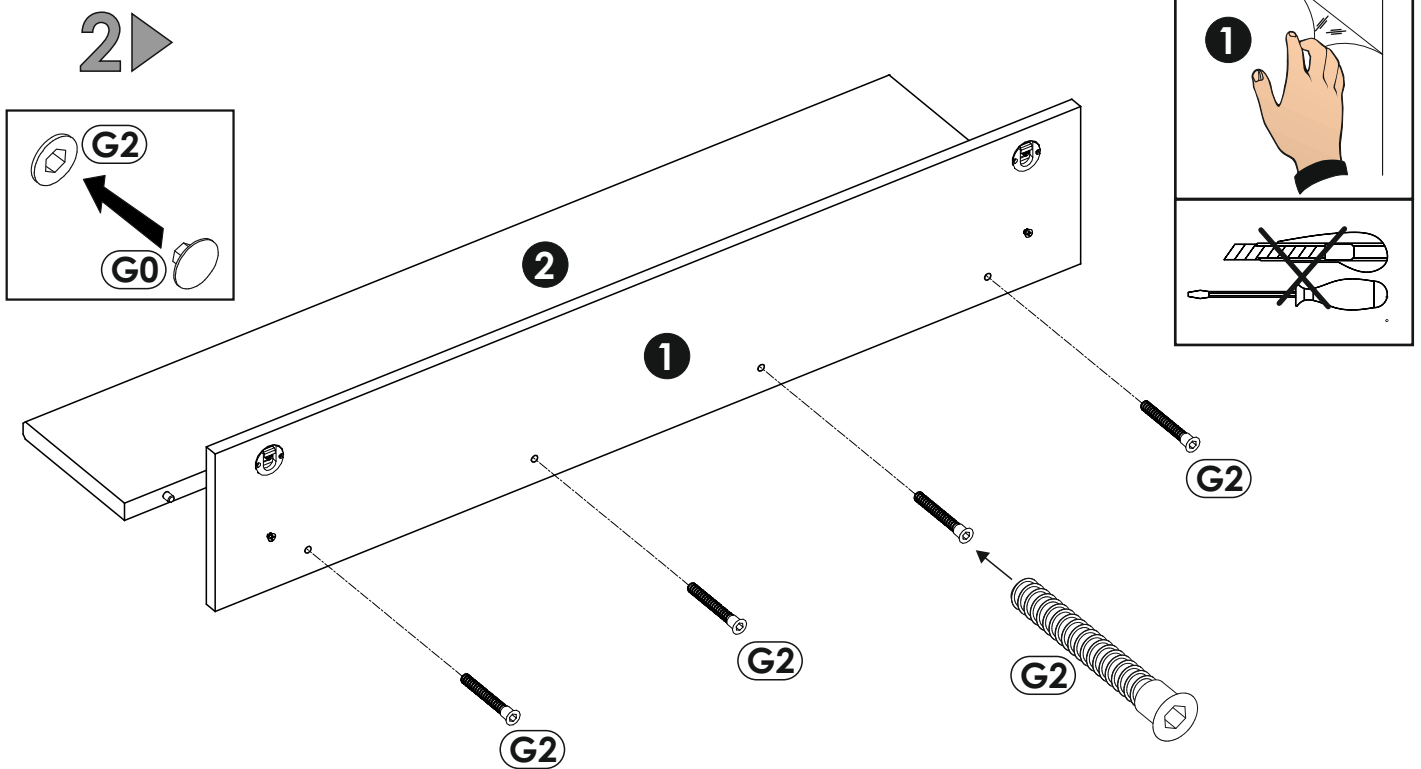
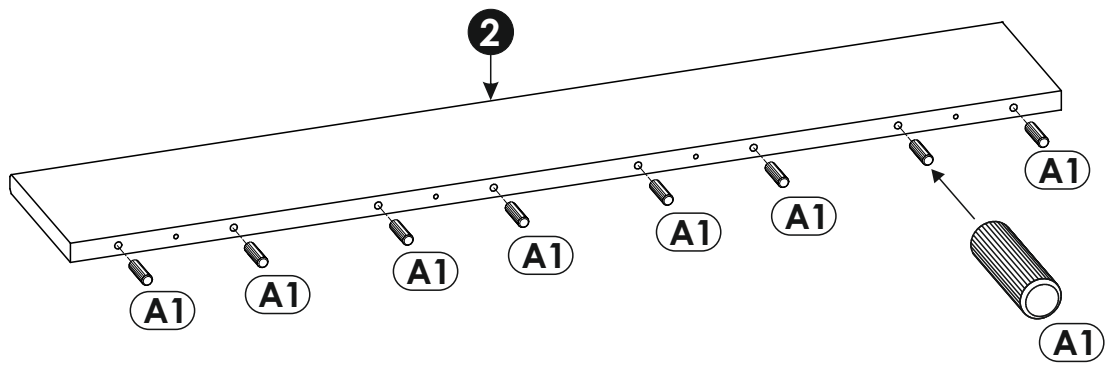
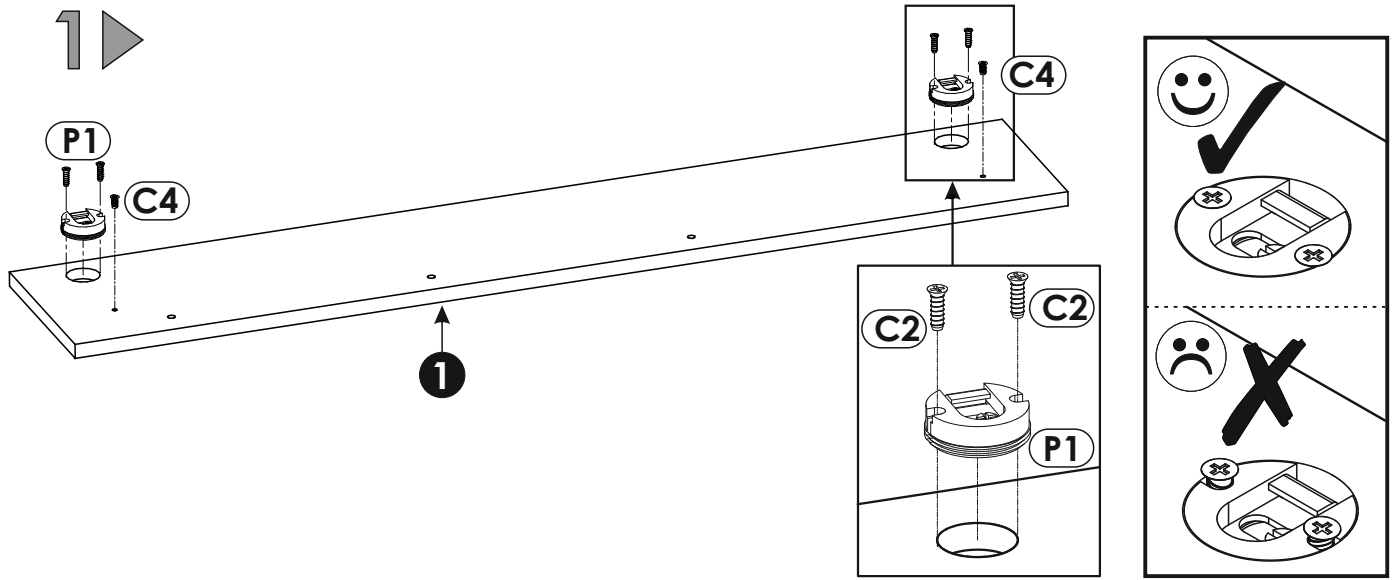


A1 x8 	C2 x4 EURO 5 x 13 mm 	C4 x2 EURO 6,3 x 13 mm 
G0 x4 	G2 x4 $\phi 7$ x 60mm 	M x1 
P1 x2 	R8 x2 	





1	1100	200	16	x1	1/1
2	1098	184	22	x1	1/1



3 ▶

