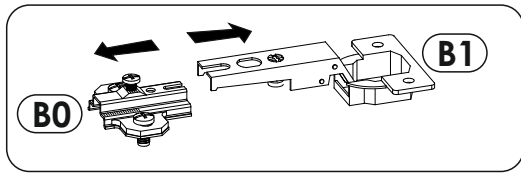
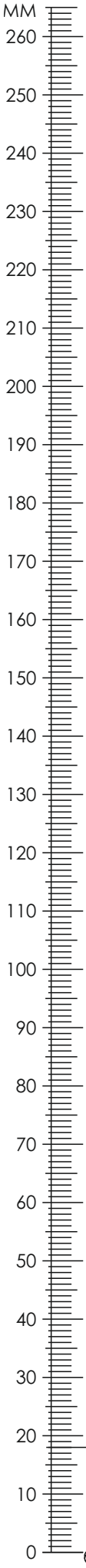
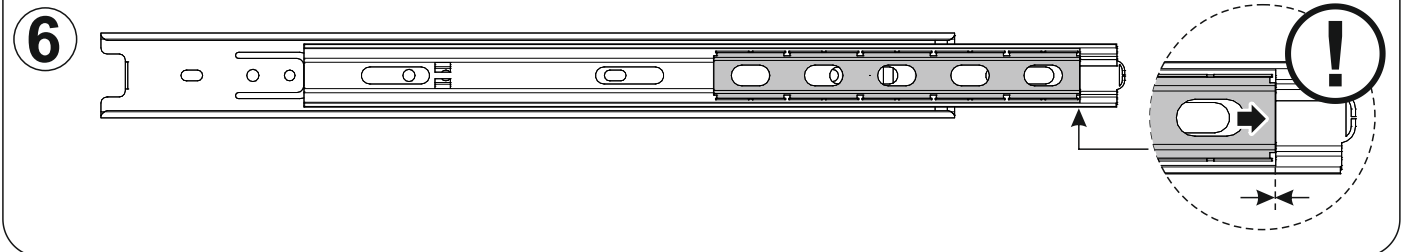
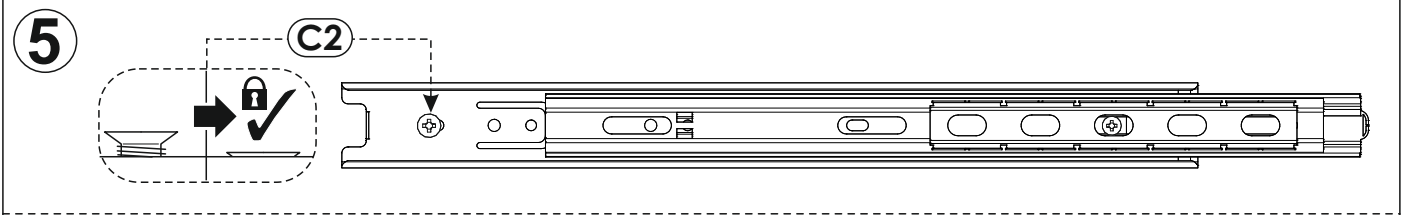
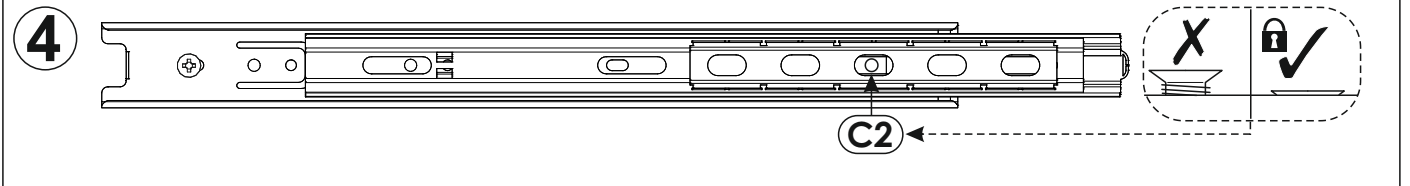
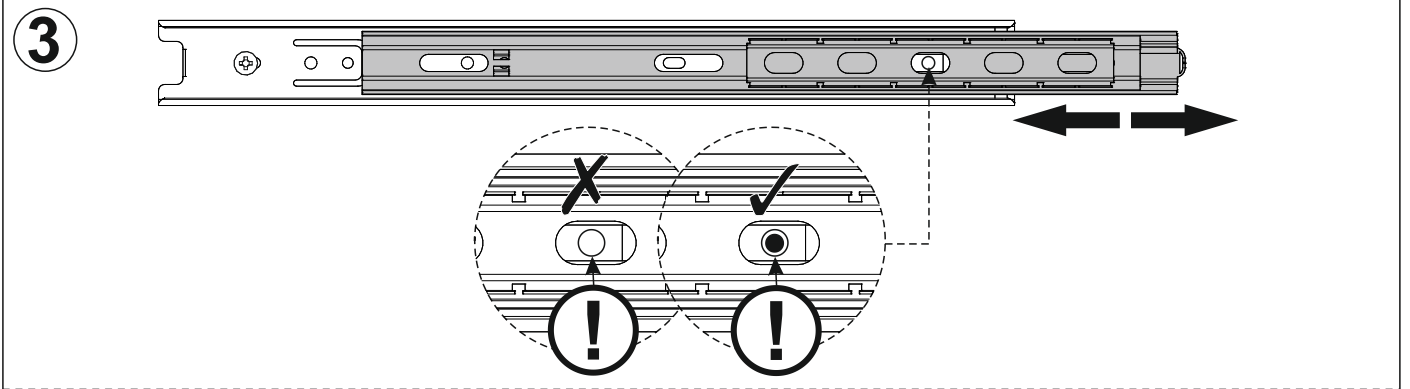
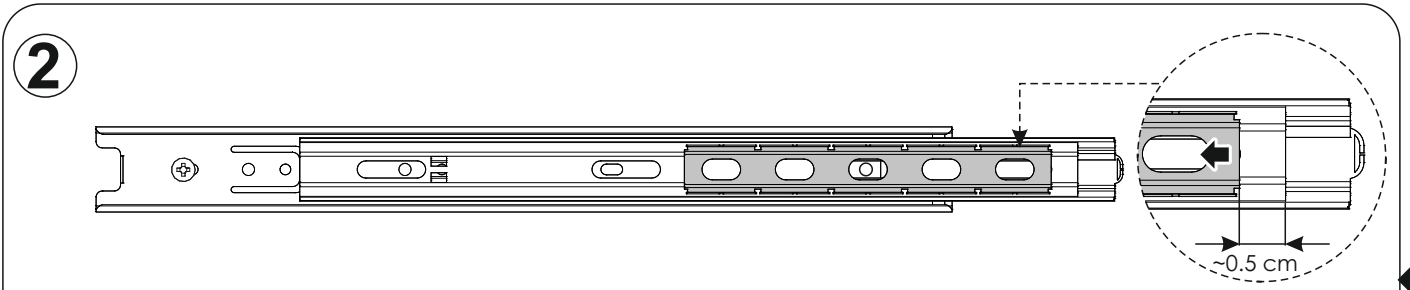
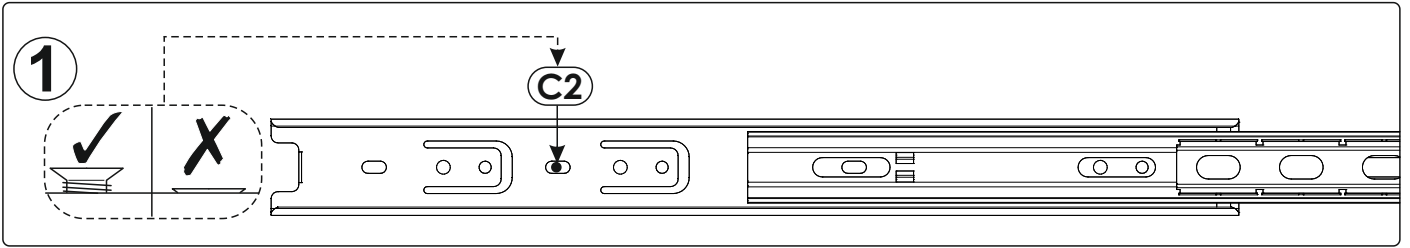
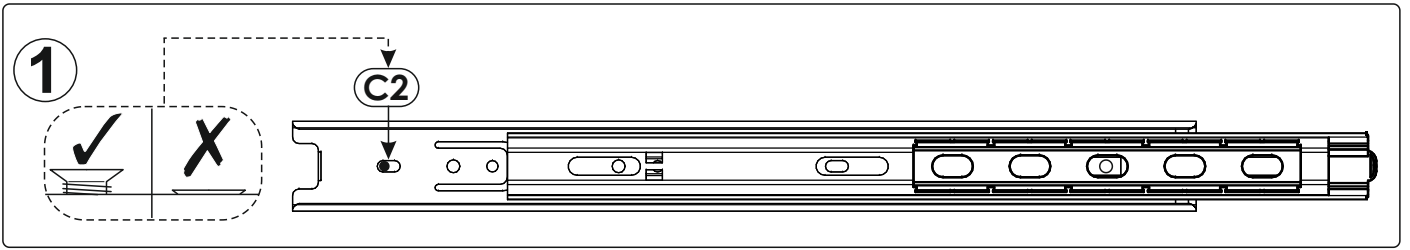
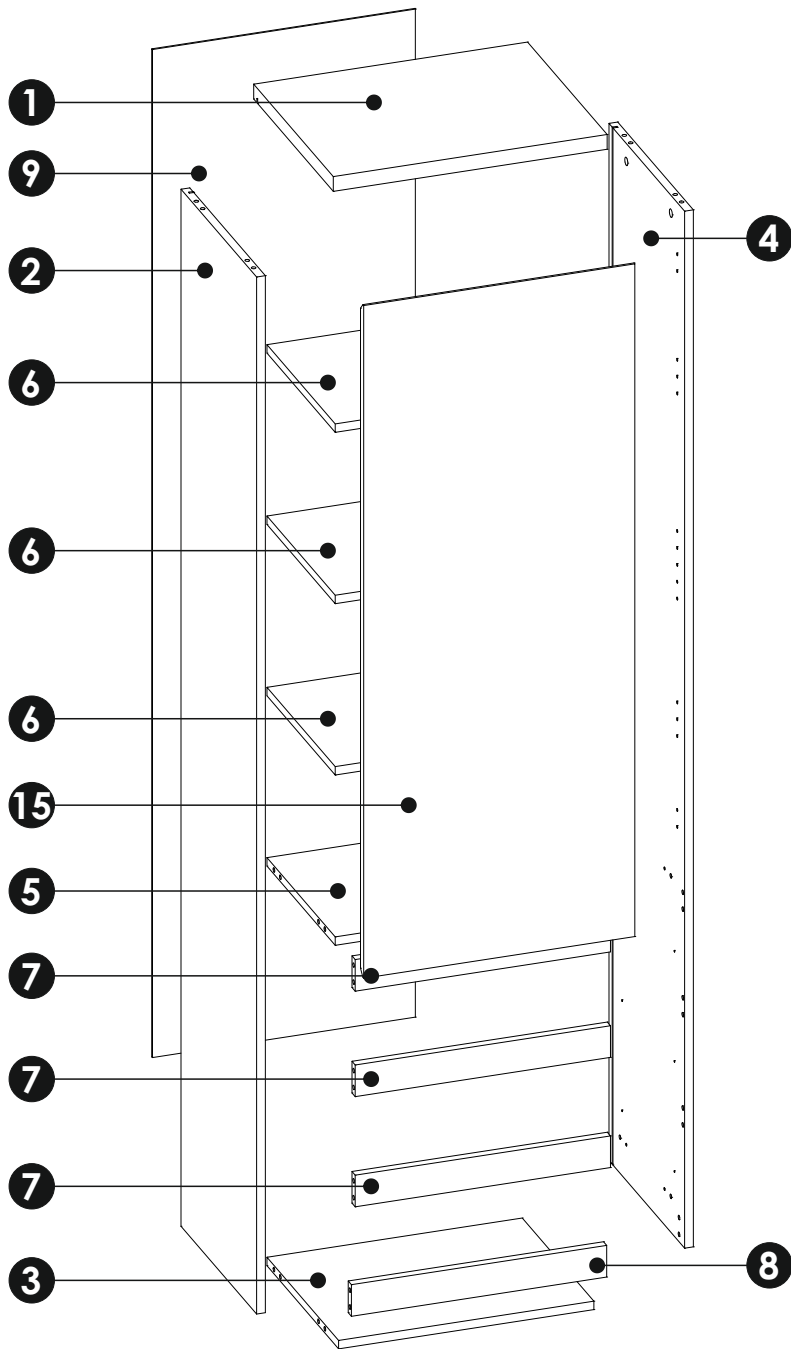
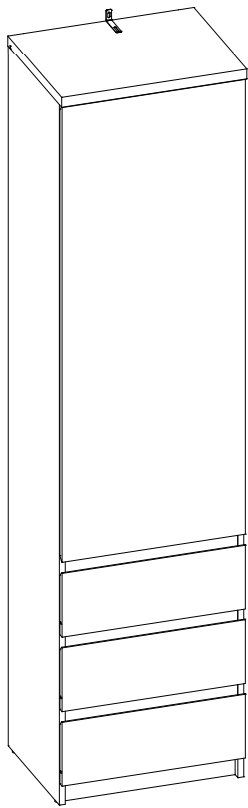


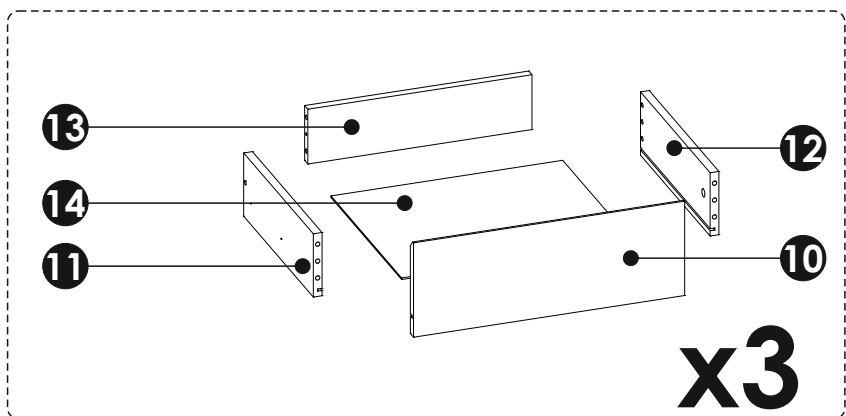
A1	8 x 35 mm	x52	B0 + B1	x3	C1	4 x 13 mm	x6	
C2	5 x 13 mm	x12	D2	x12	E0		x10	
E1	15 x 12 mm	x18	F1	6 x 34 mm	x18	G1	7 x 50 mm	x6
I2	4 x 16 mm	x1	J4	3,5 x 16 mm	x18	M		x1
N1	3 X 16 mm	x20	O2		x4	PW	L - 350 mm	x6
P0		x6	Q9		x1	R4		x14
R8		x8	S13		x1	Z		x1

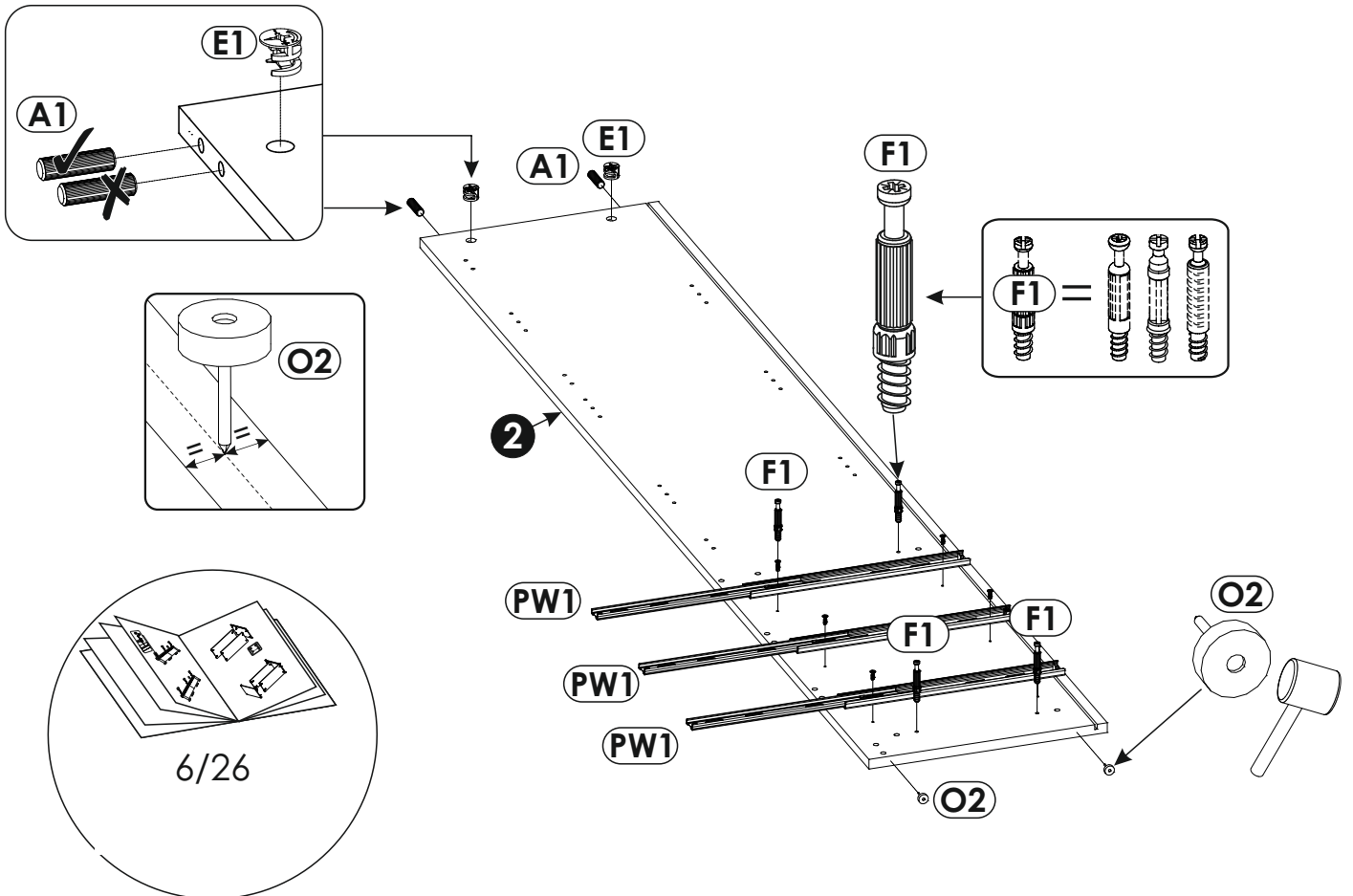
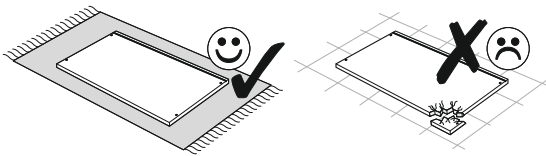
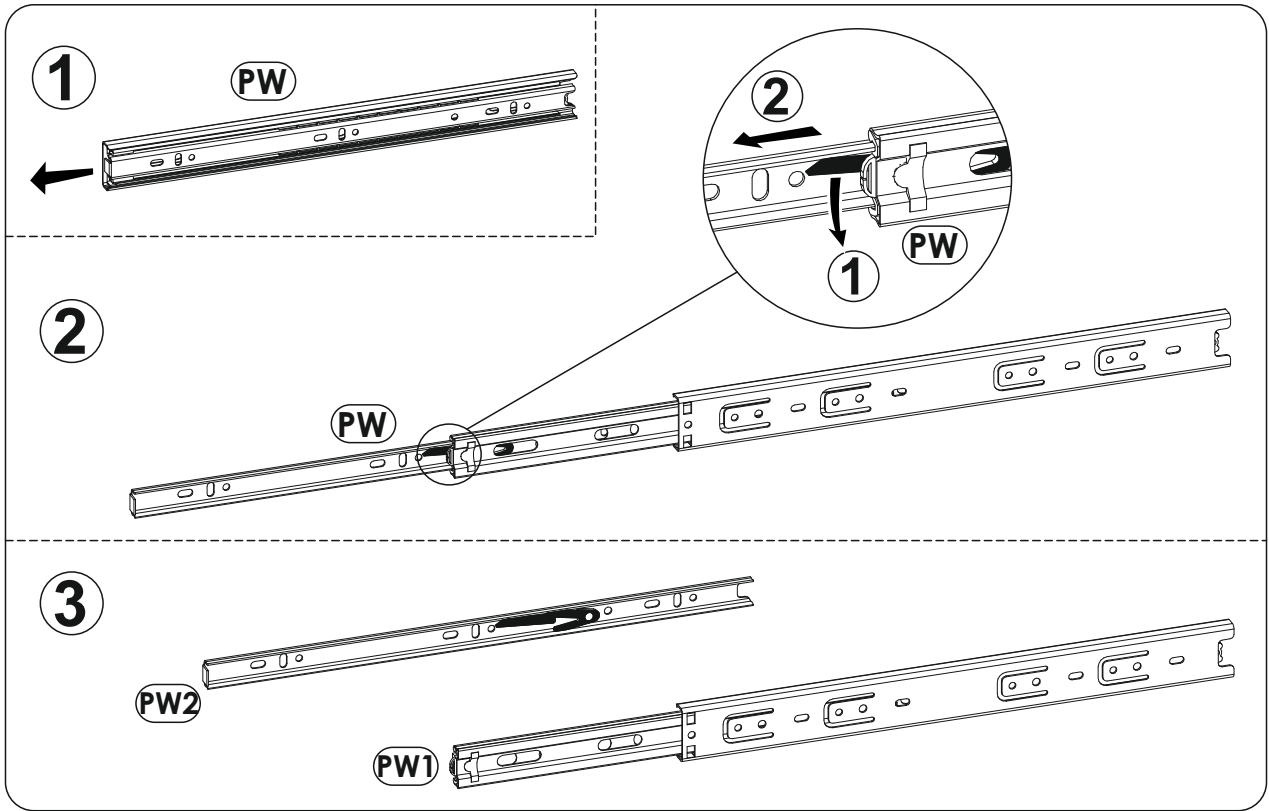




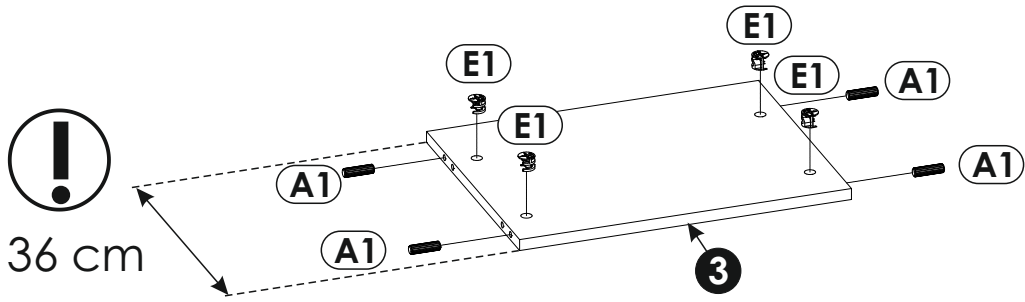
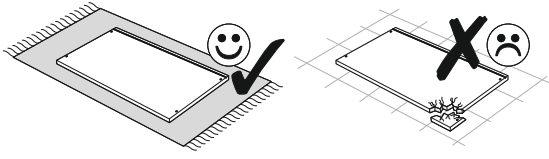


1	501	400	28	x1	1/2
2	1967	380	16	x1	2/2
3	467	360	16	x1	1/2
4	1967	380	16	x1	2/2
5	467	343	16	x1	1/2
6	467	343	16	x3	1/2
7	467	60	16	x3	1/2
8	467	60	16	x1	1/2
9	1912	481	3	x1	2/2
10	496	179	16	x3	2/2
11	350	120	16	x3	1/2
12	350	120	16	x3	1/2
13	410	104	16	x3	1/2
14	424	355	3	x3	1/2
15	1276	496	16	x1	2/2

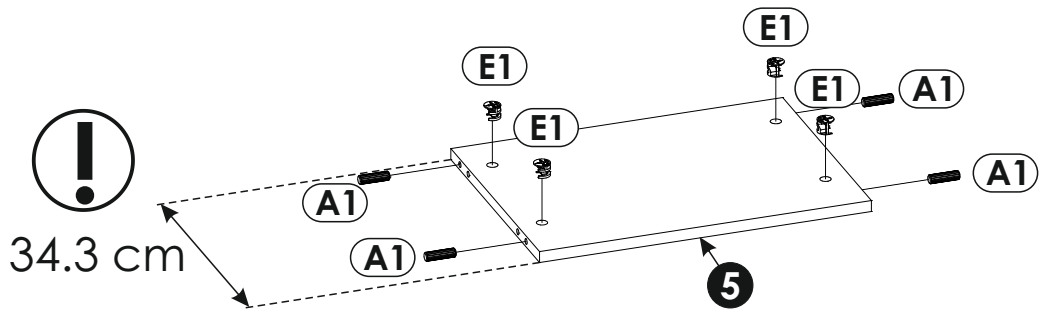
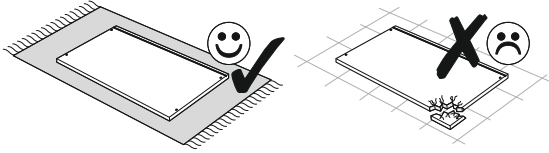


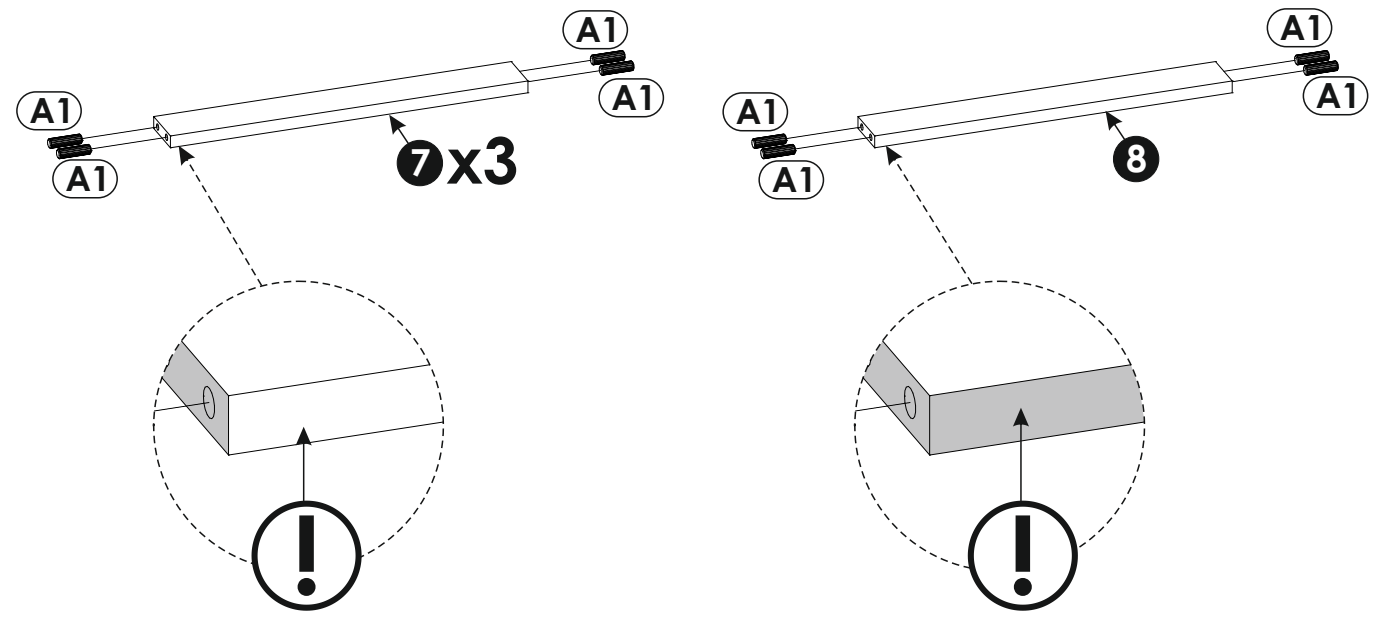
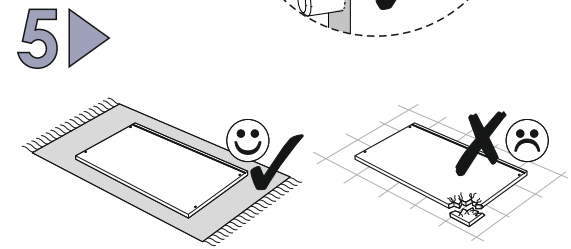
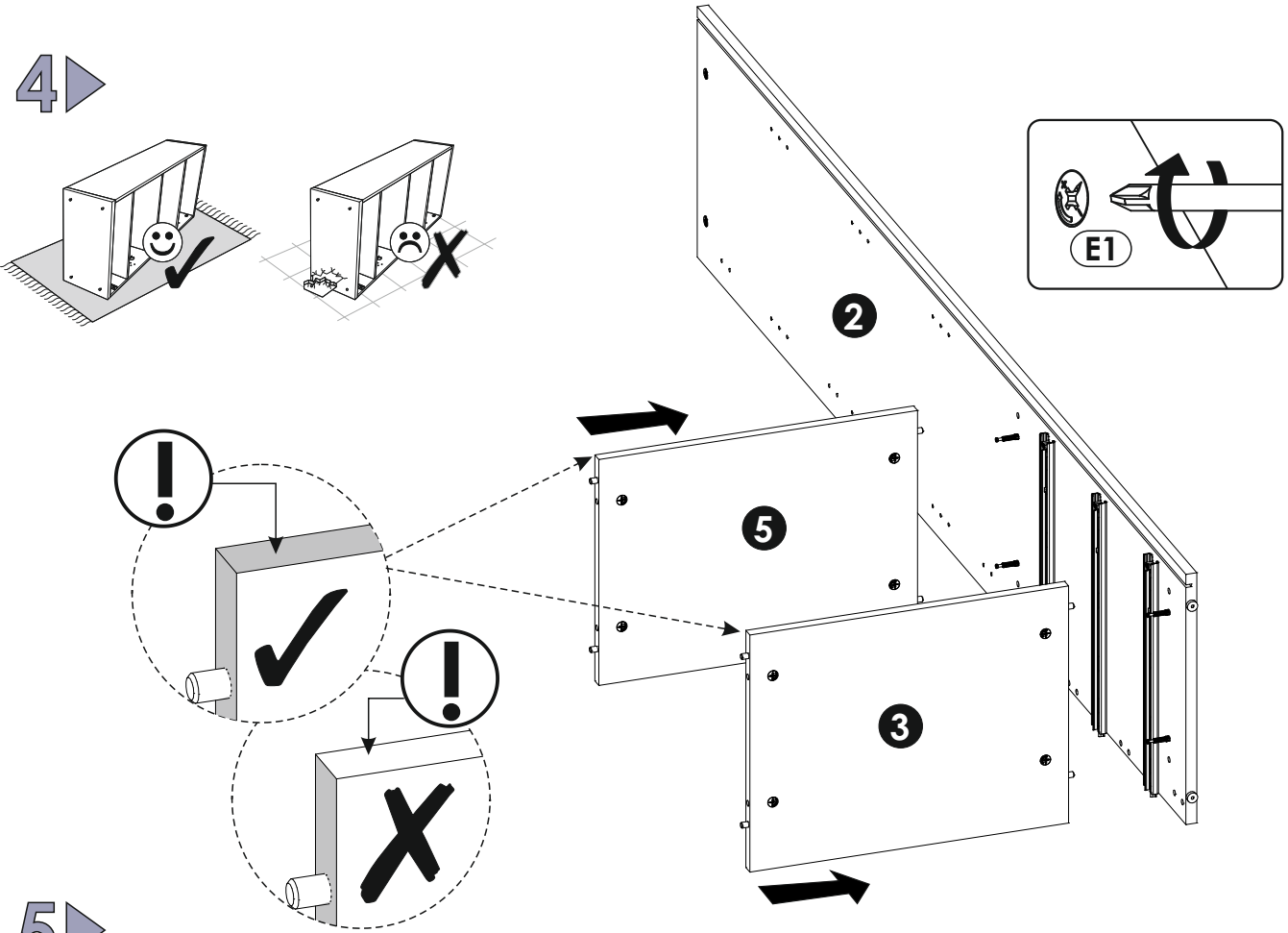
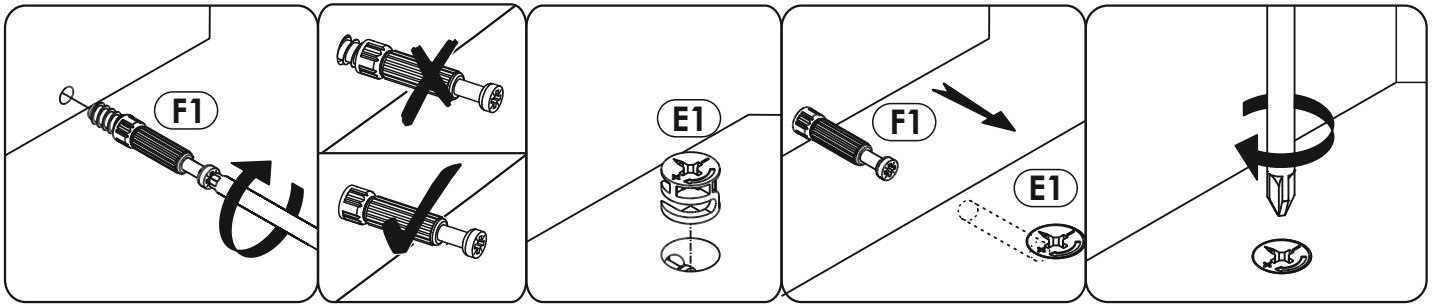


2 ▶

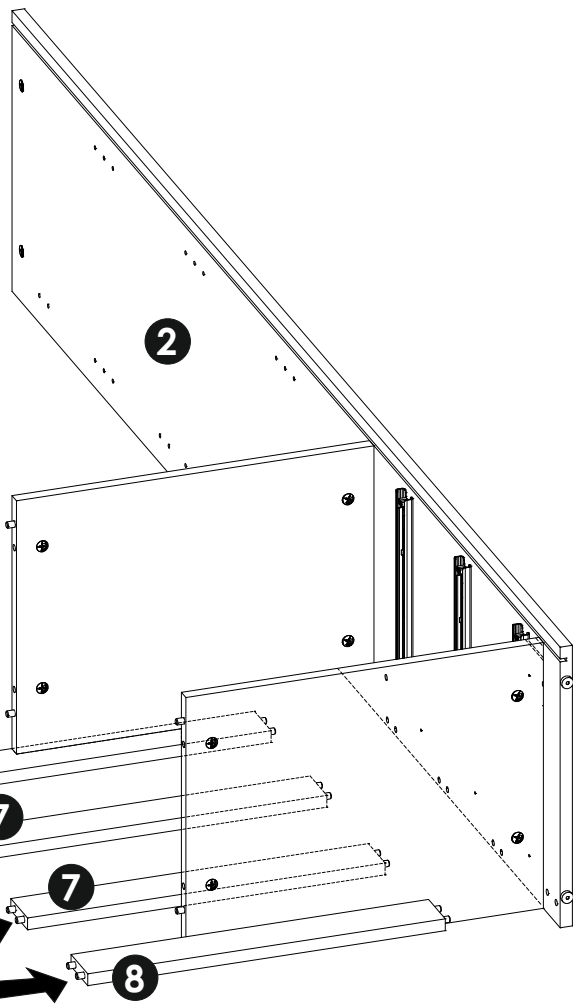
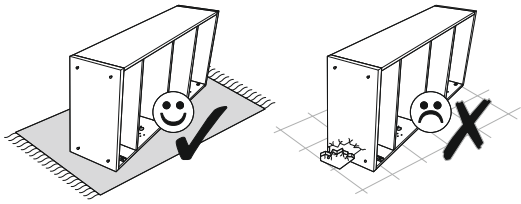


3 ▶

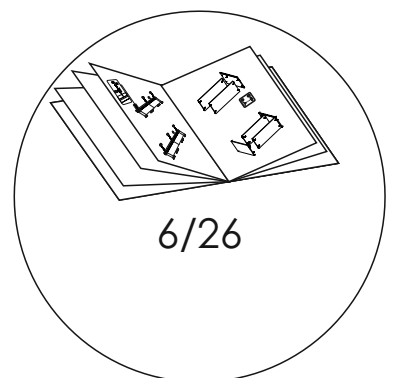
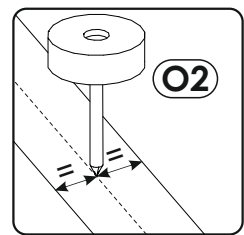
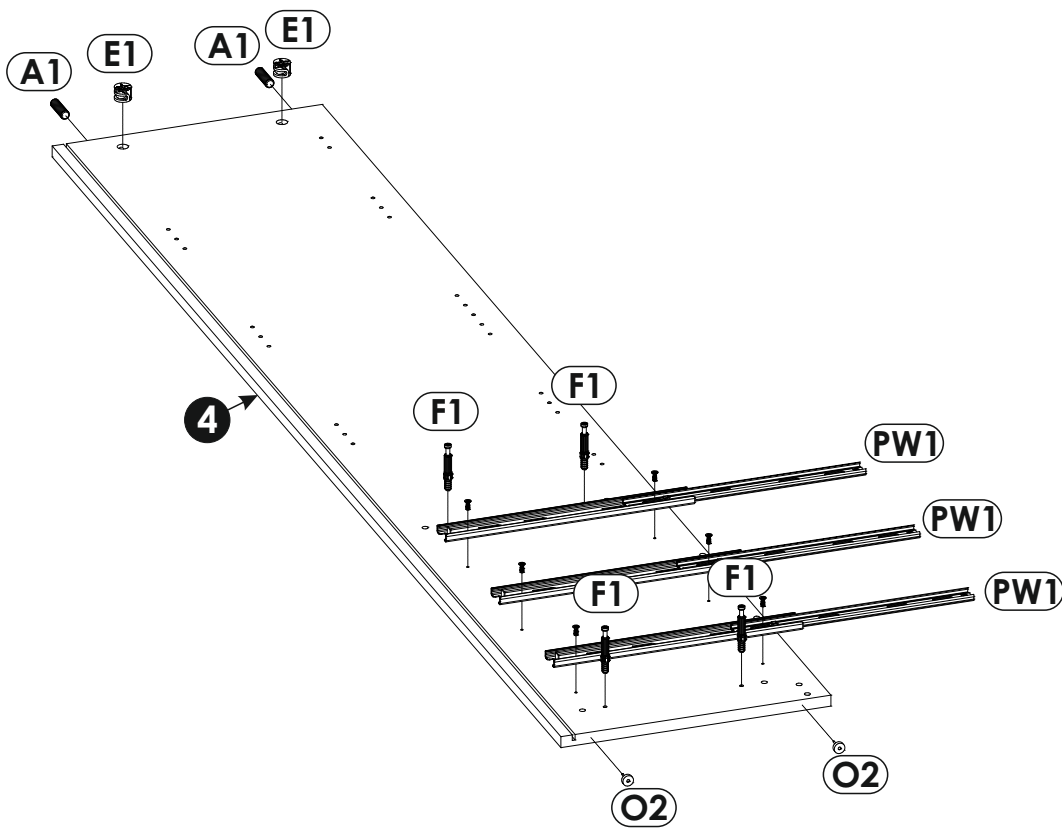
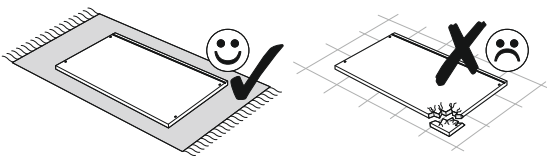




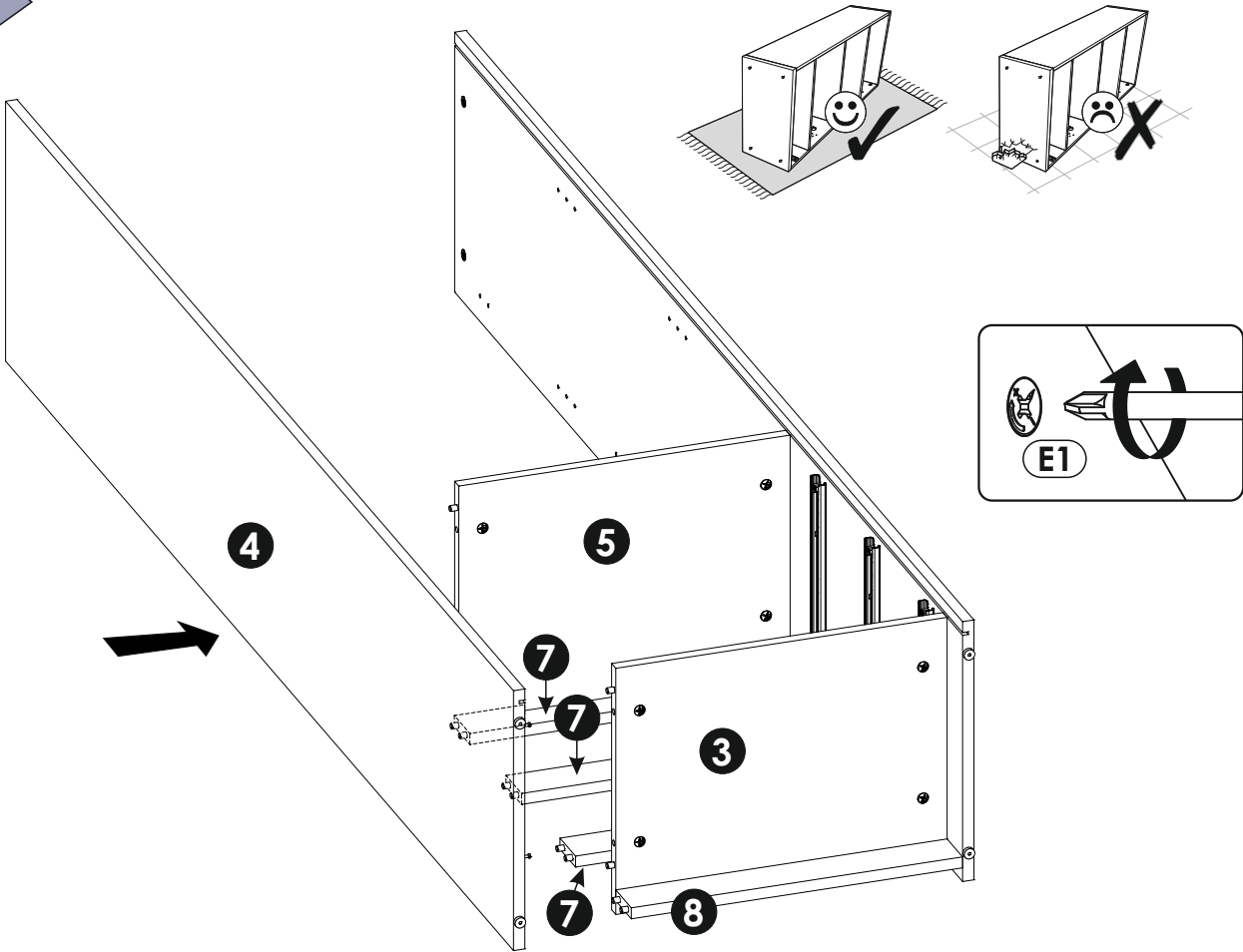
6 ▶



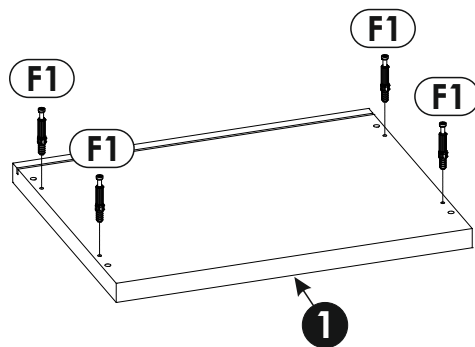
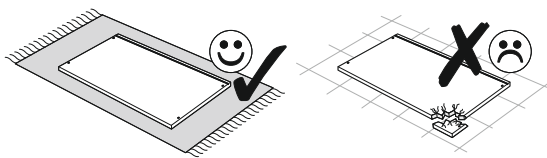
7 ▶



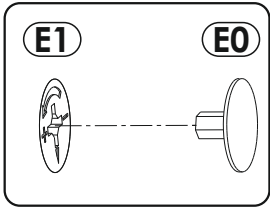
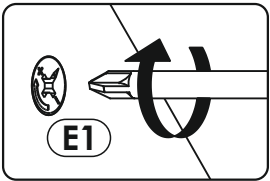
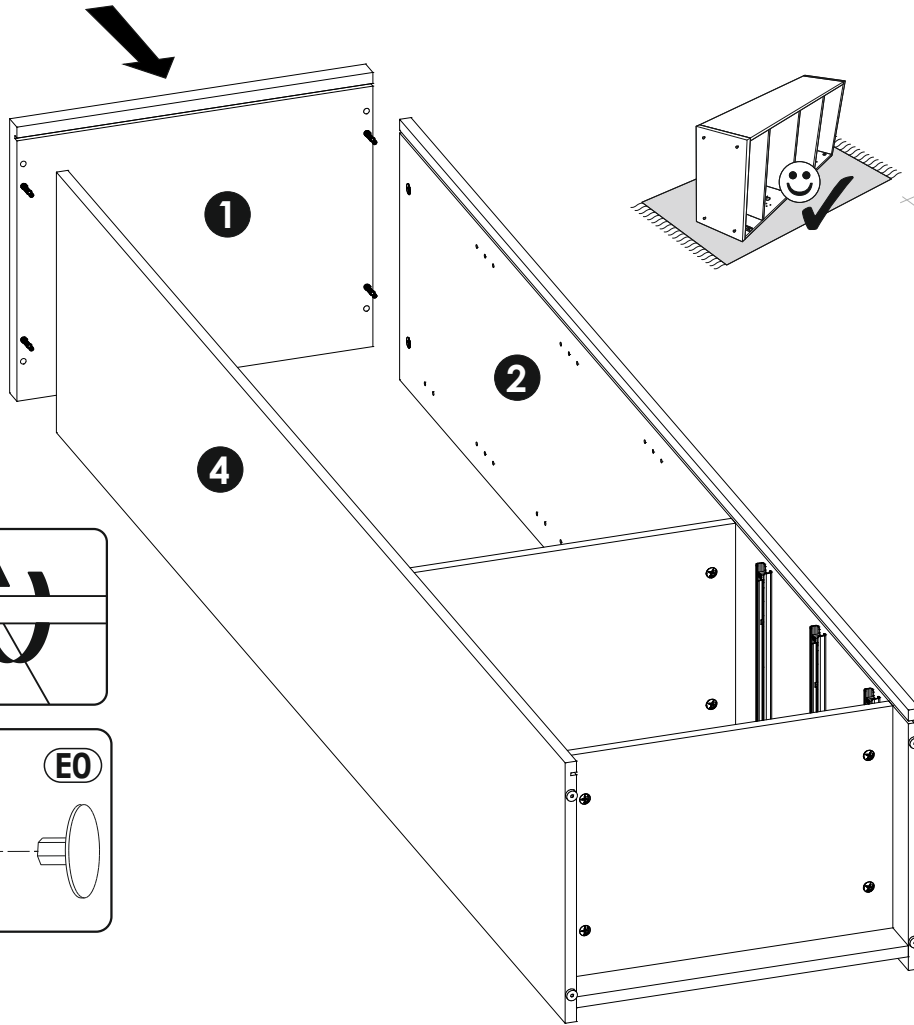
8 ▶



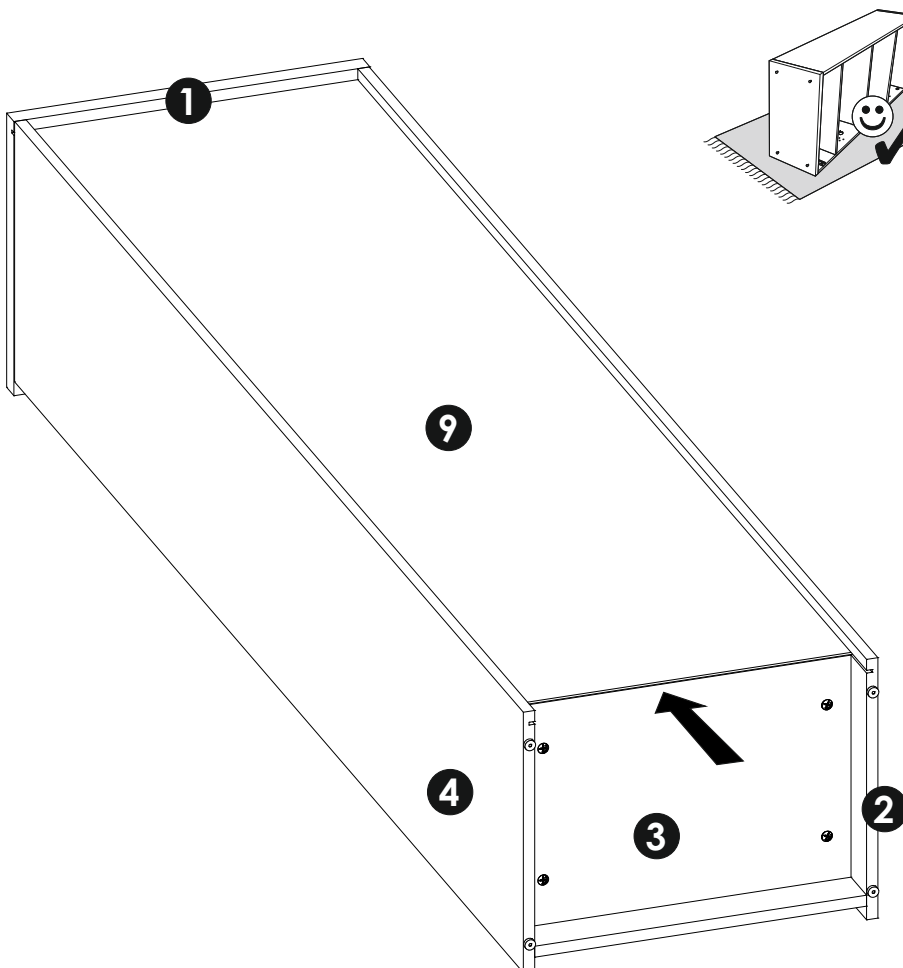
9 ▶



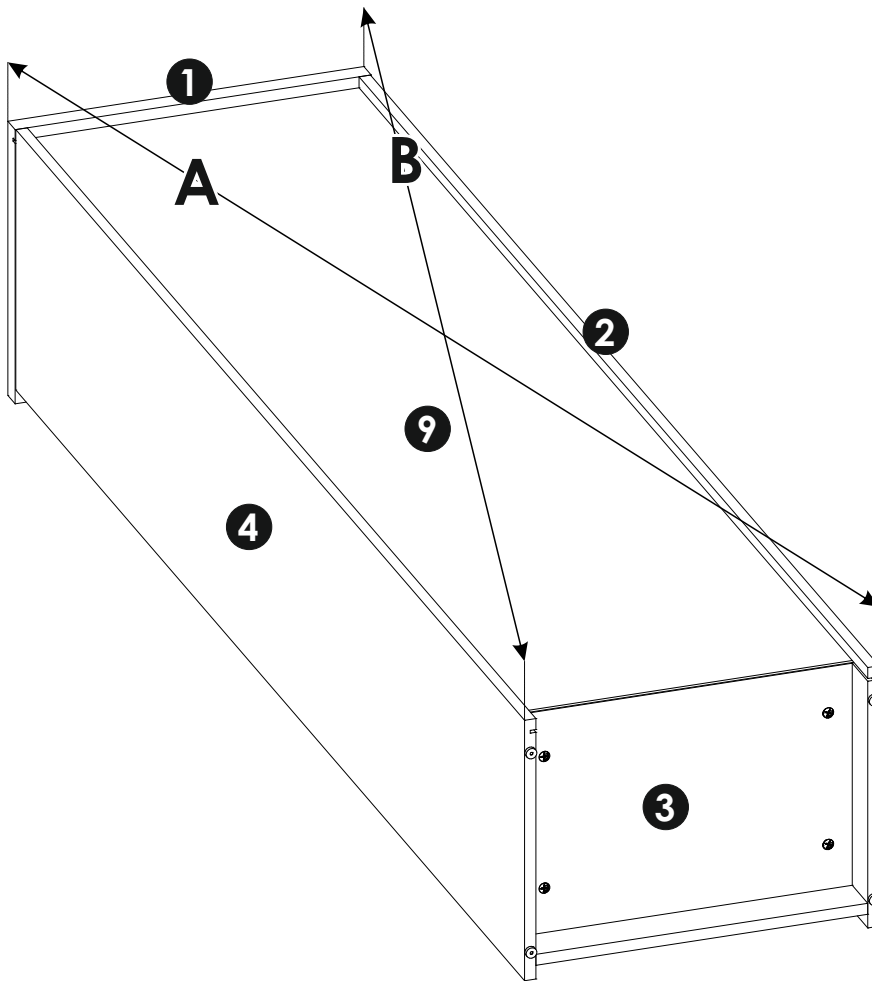
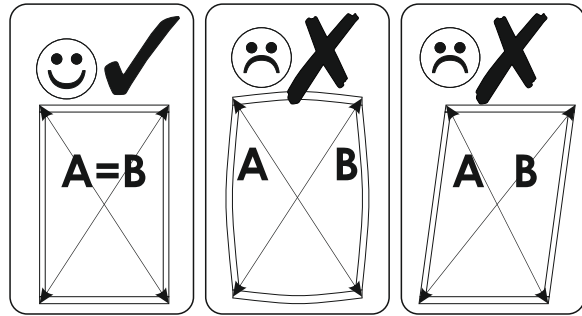
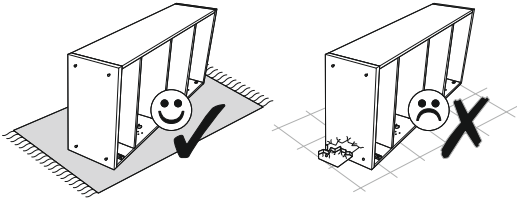
10 ▶



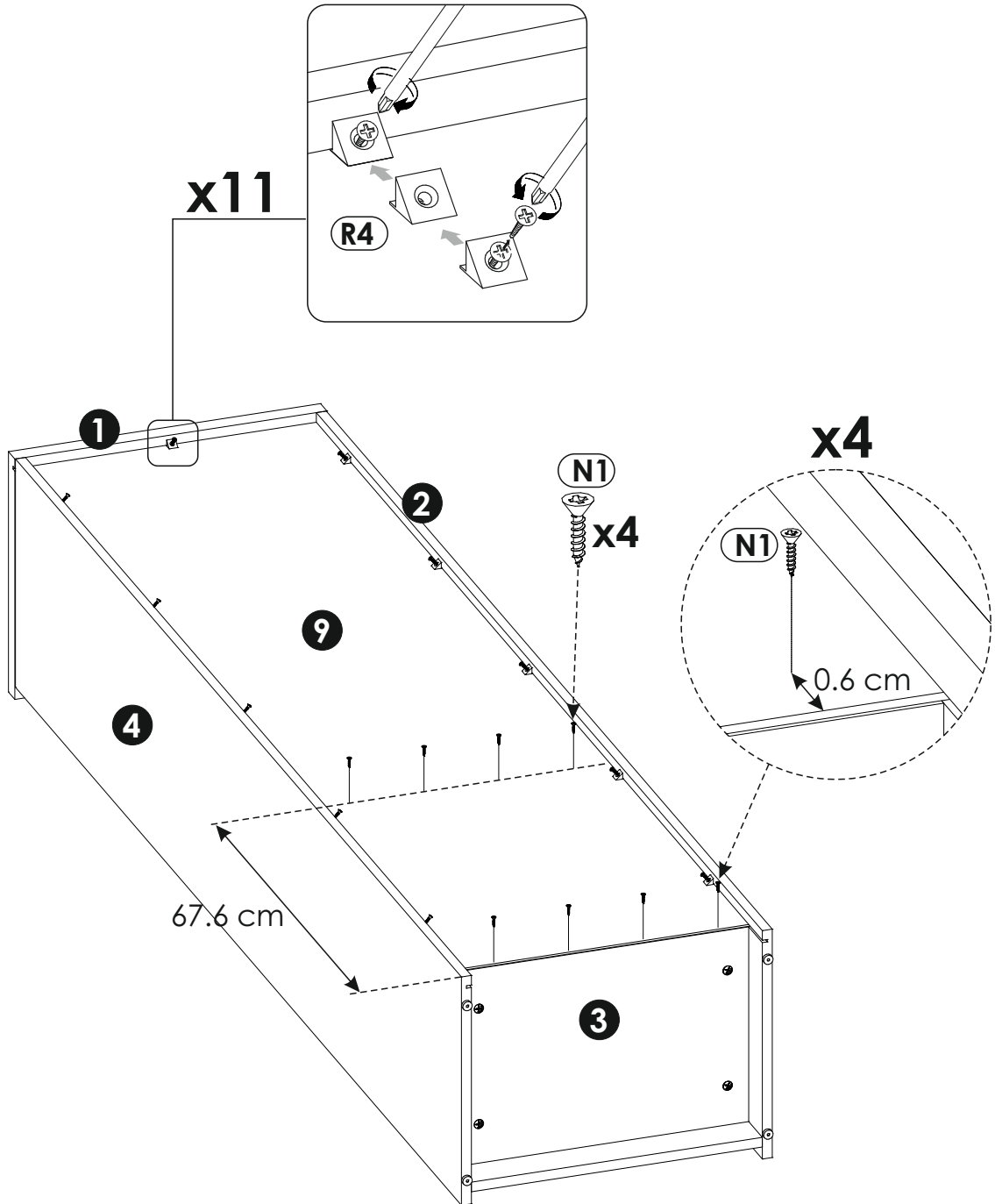
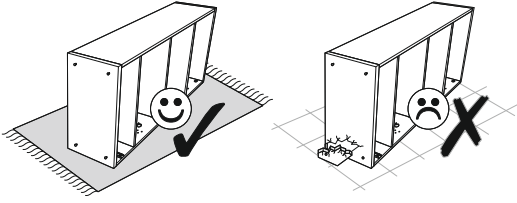
11 ▶



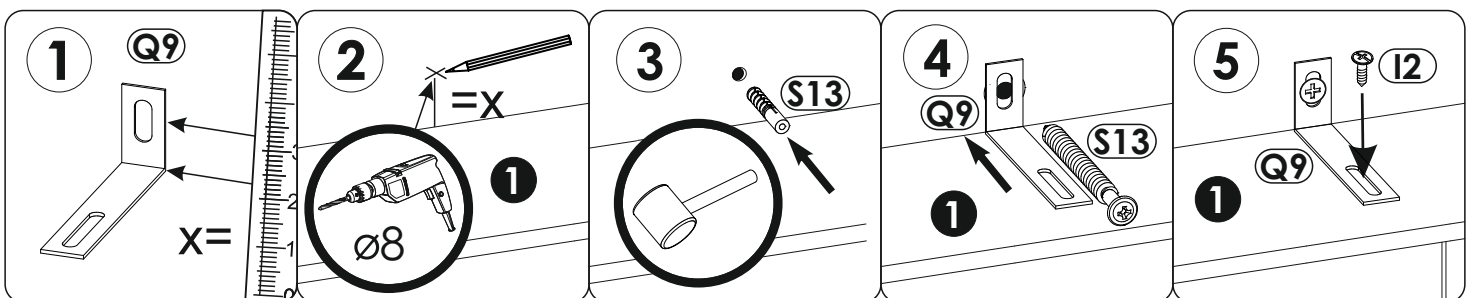
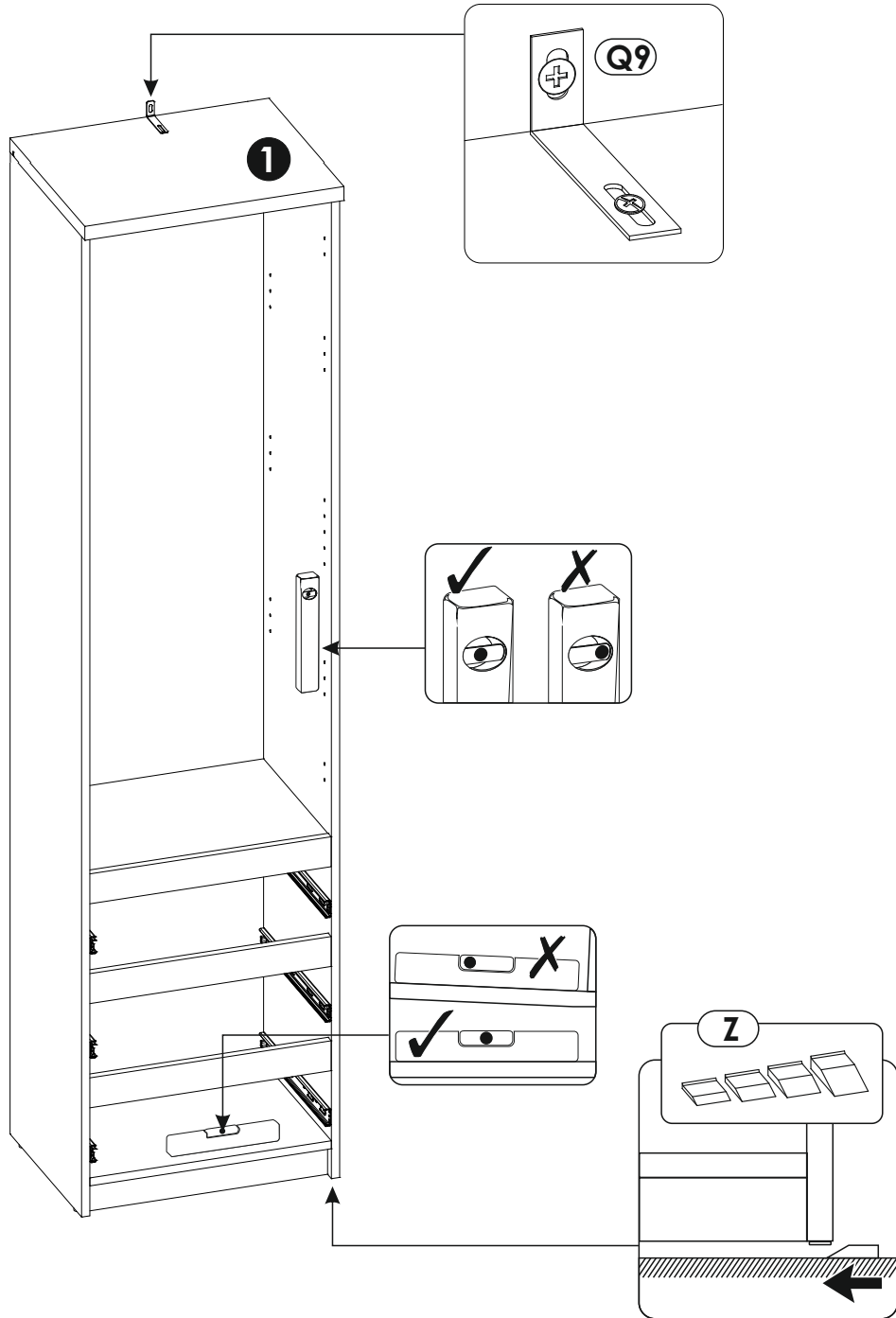
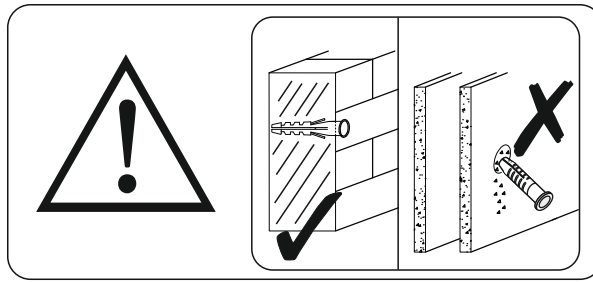
12▶



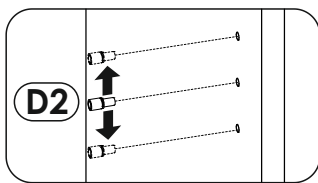
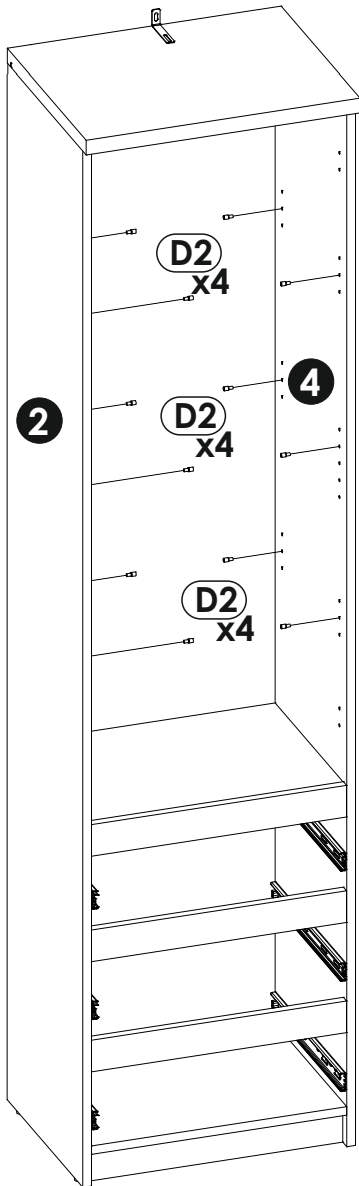
13▶



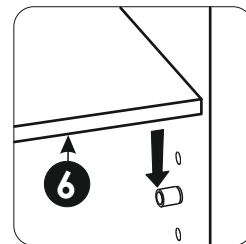
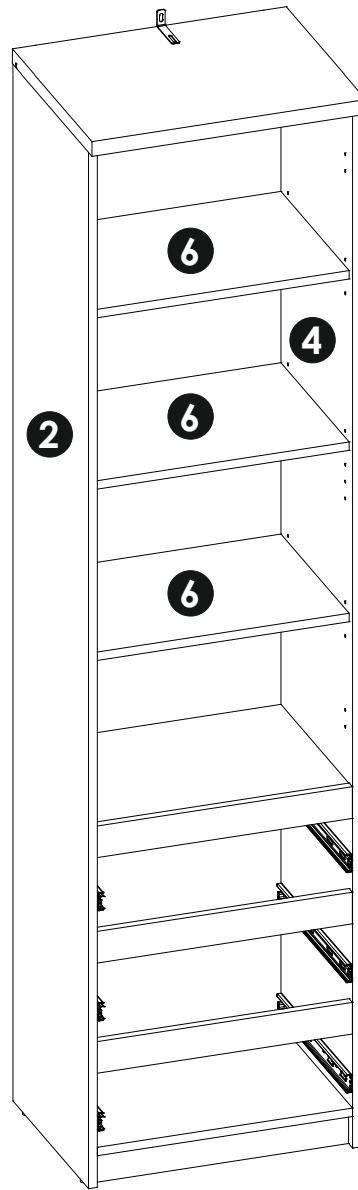
14 ▶



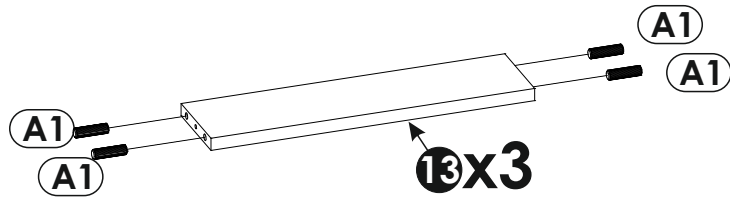
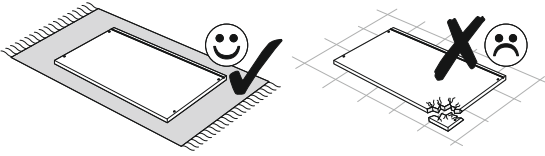
15▶



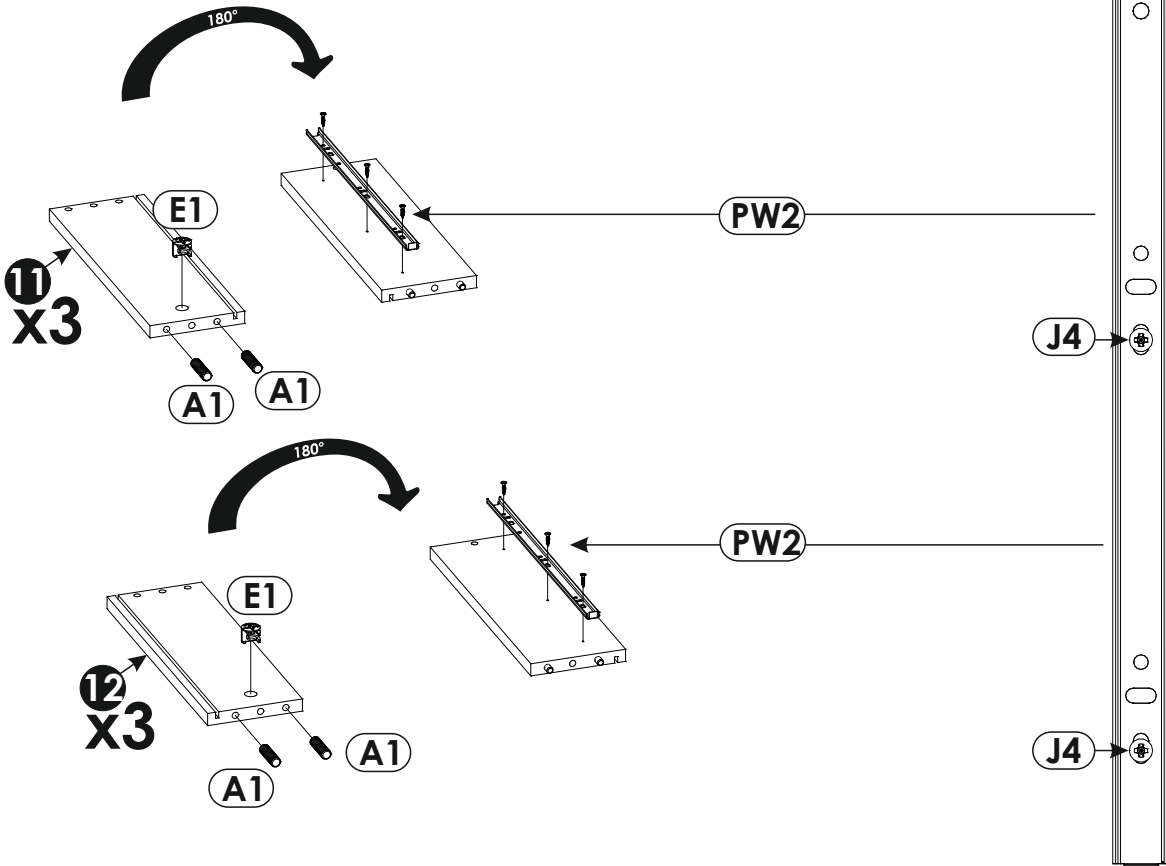
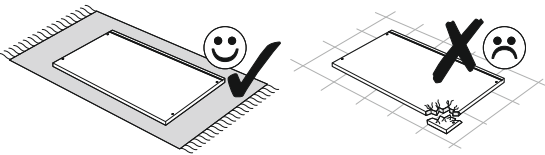
16▶



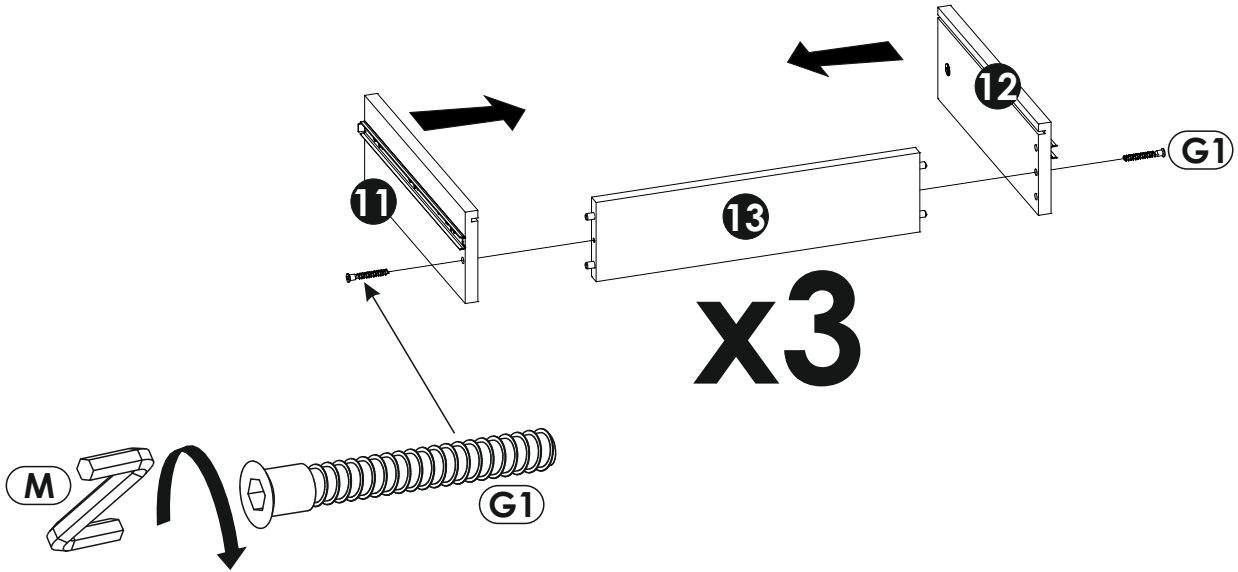
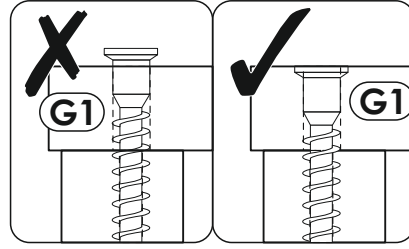
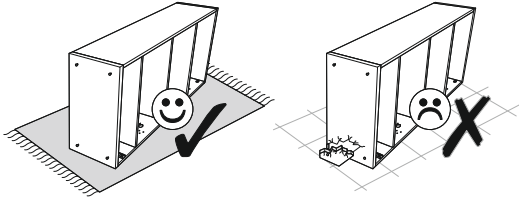
17▶



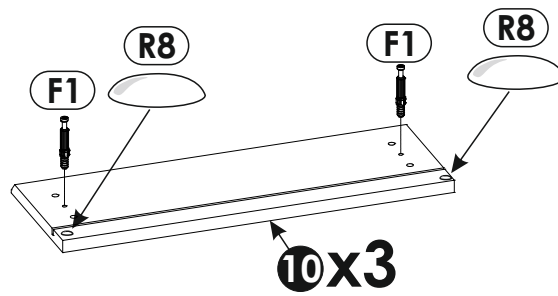
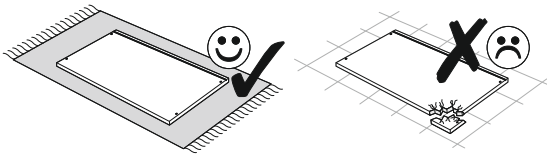
18▶



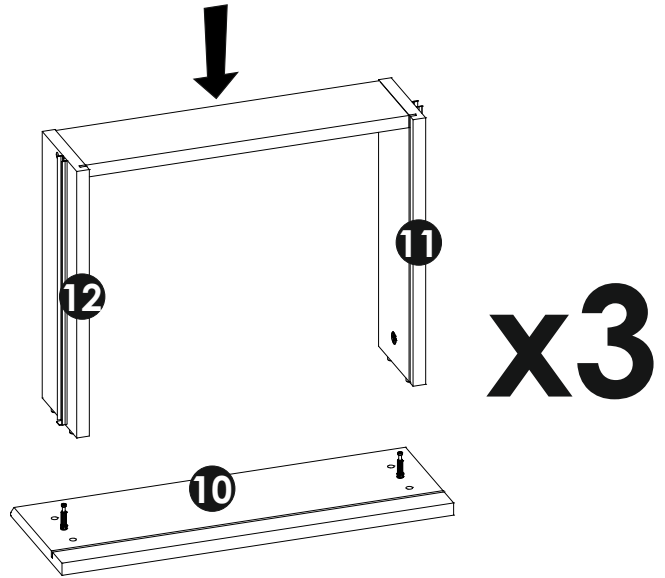
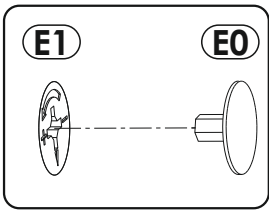
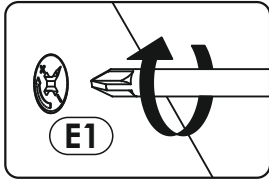
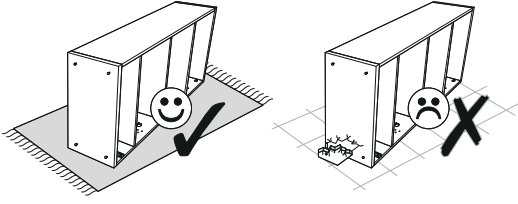
19▶



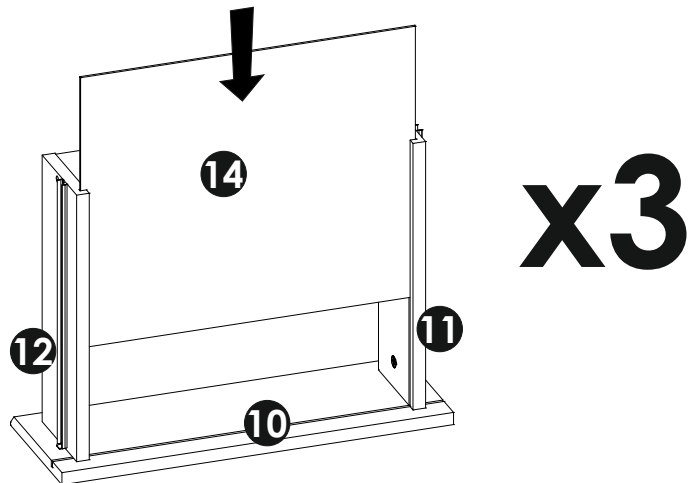
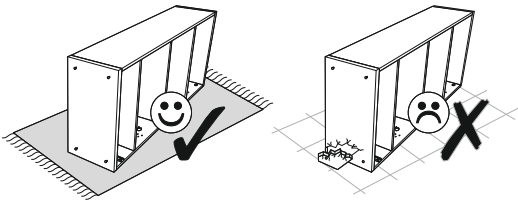
20▶



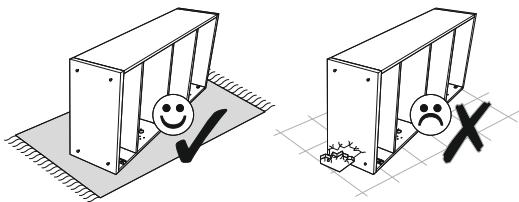
21▶



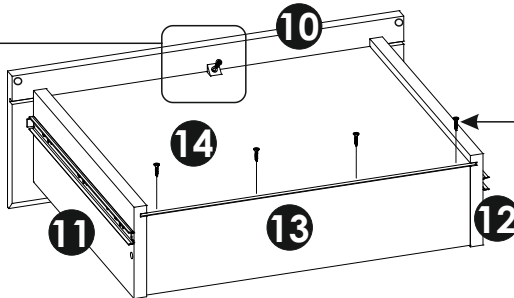
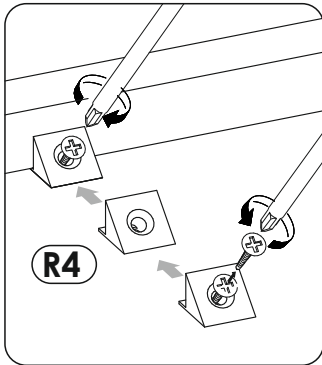
22▶



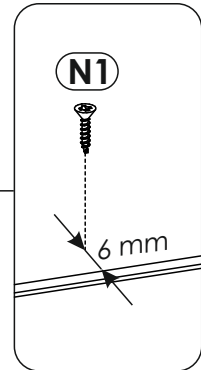
23▶



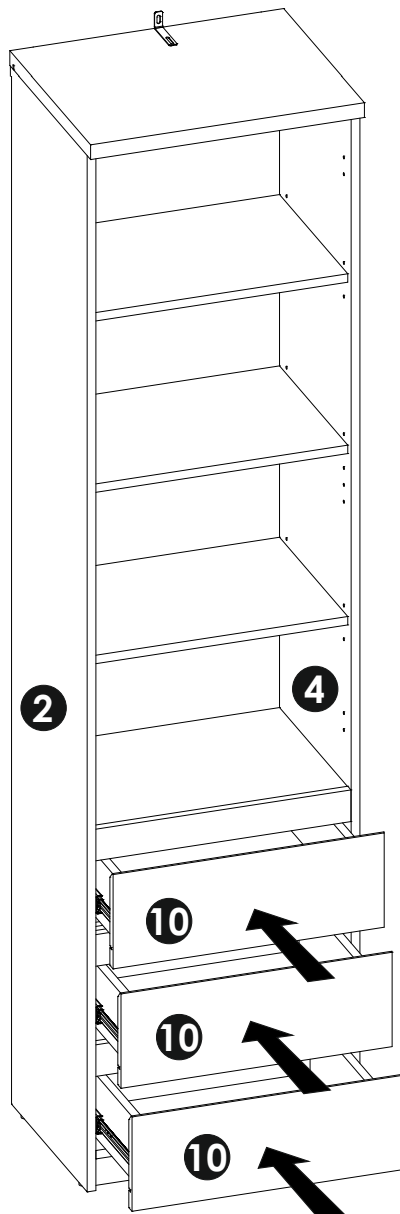
x3



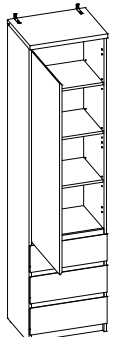
x4



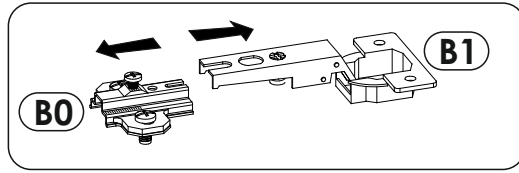
24▶



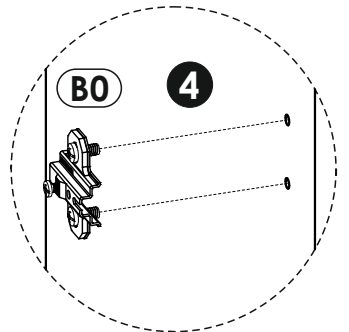
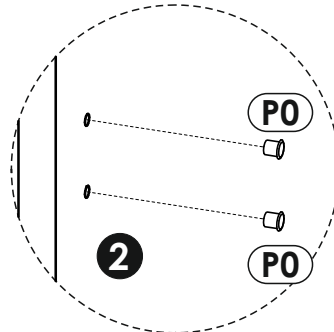
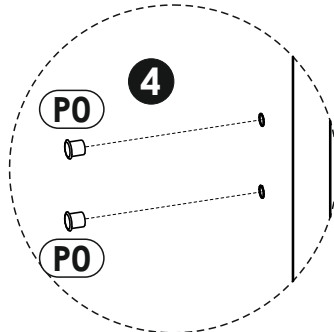
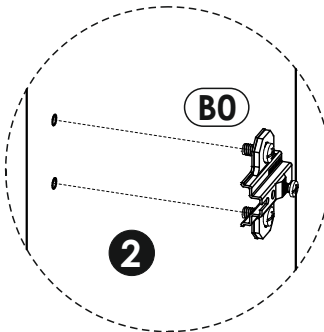
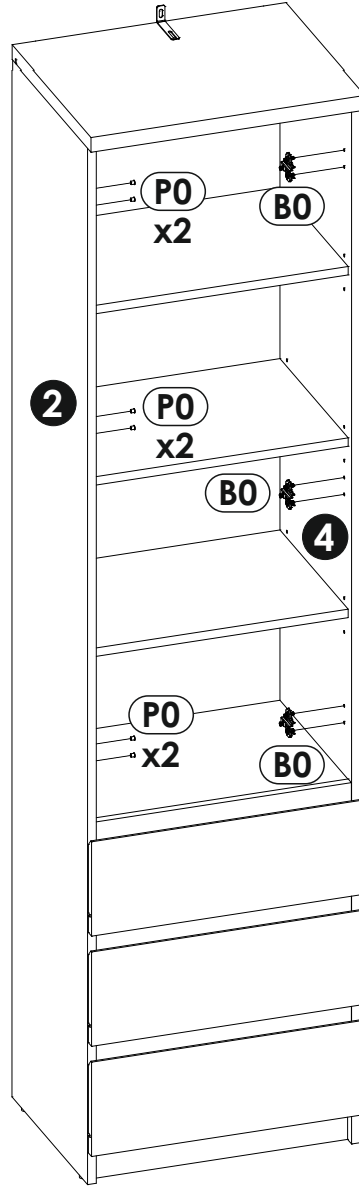
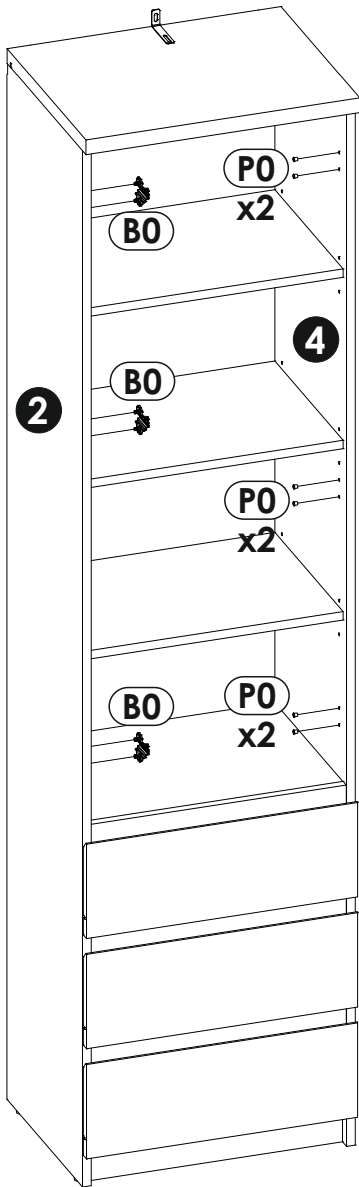
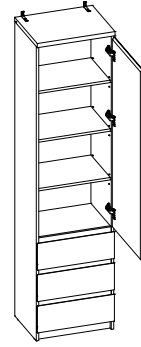
25 ▶



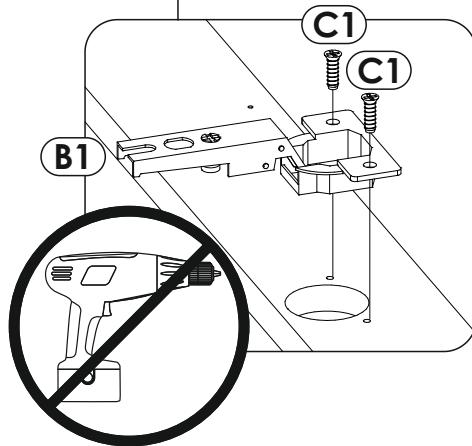
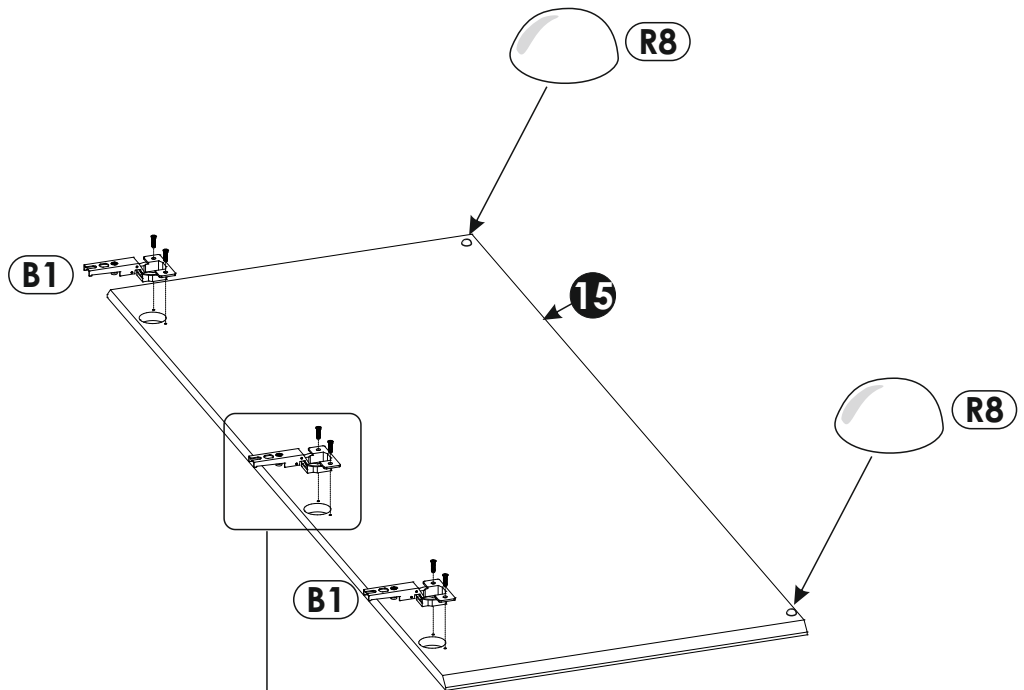
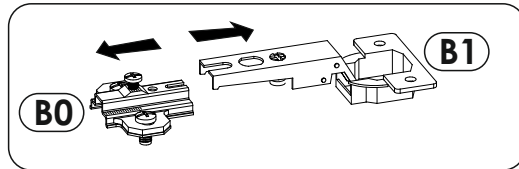
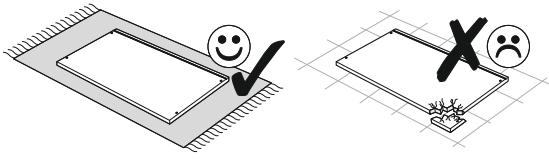
L

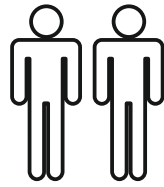
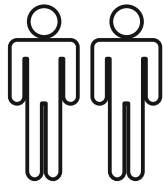


R



26▶





L

R

