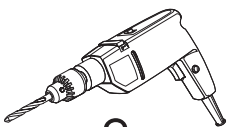
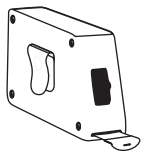
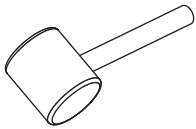
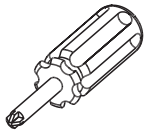
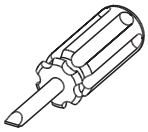
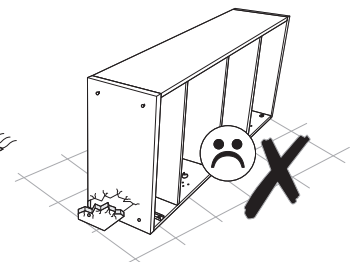
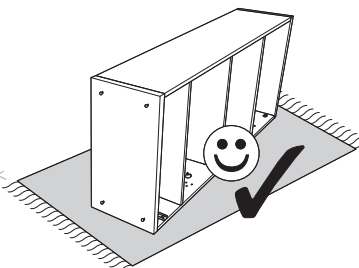
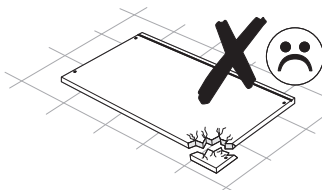
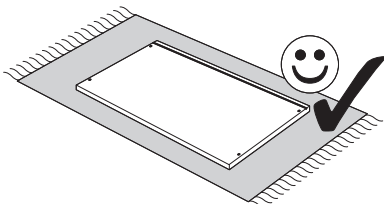
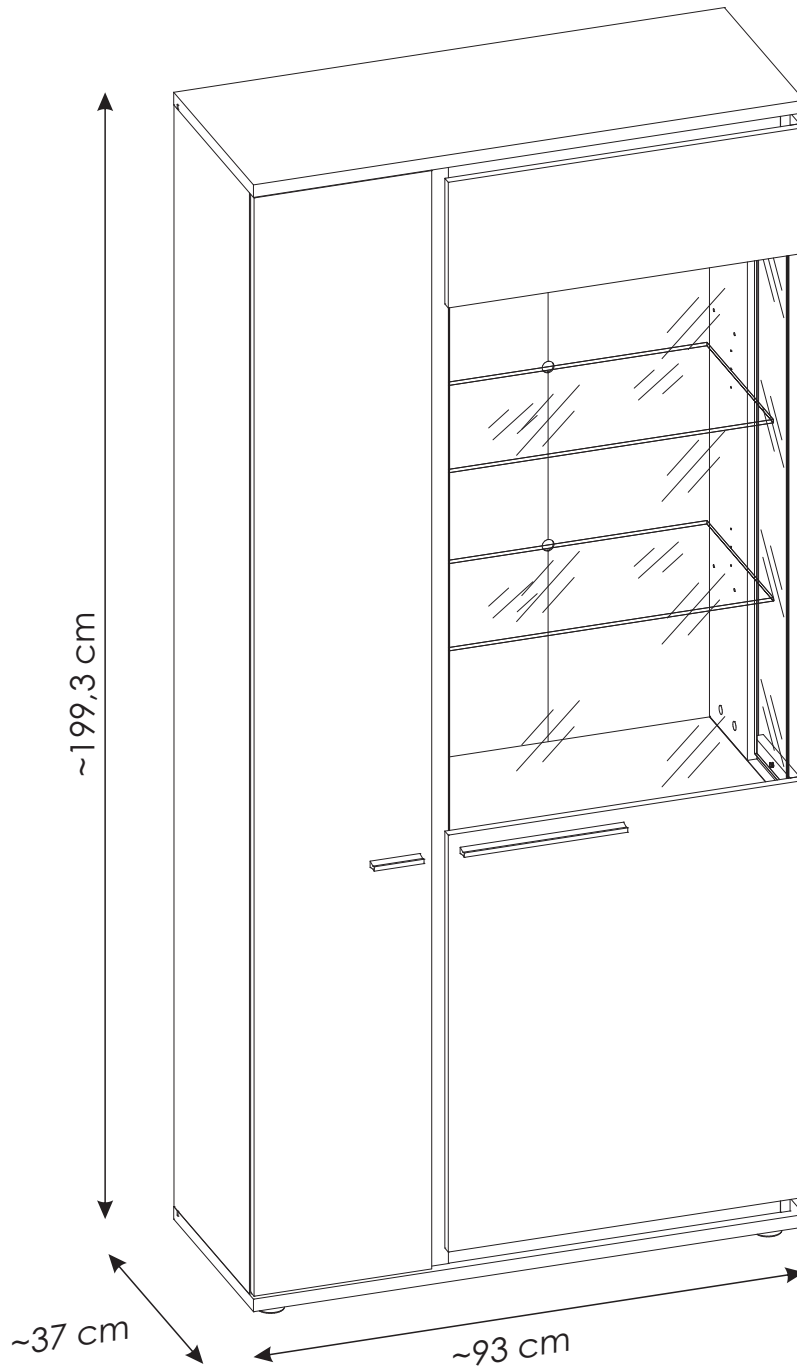


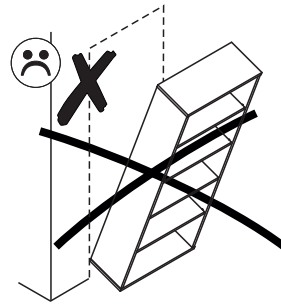
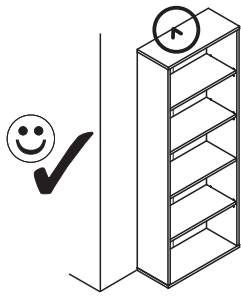


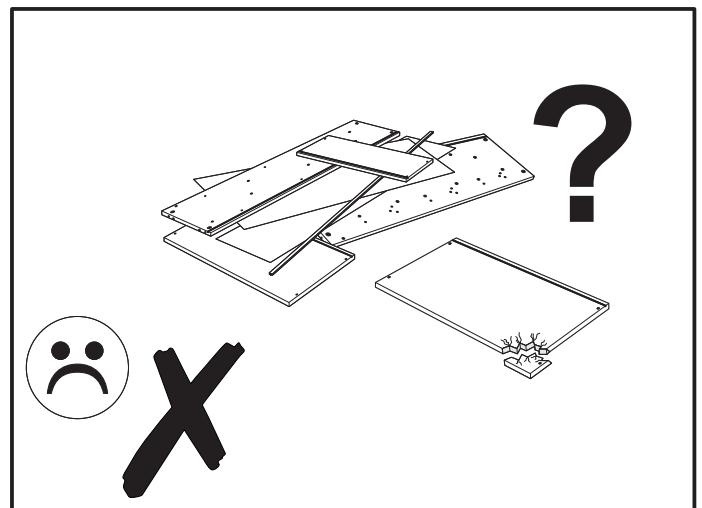
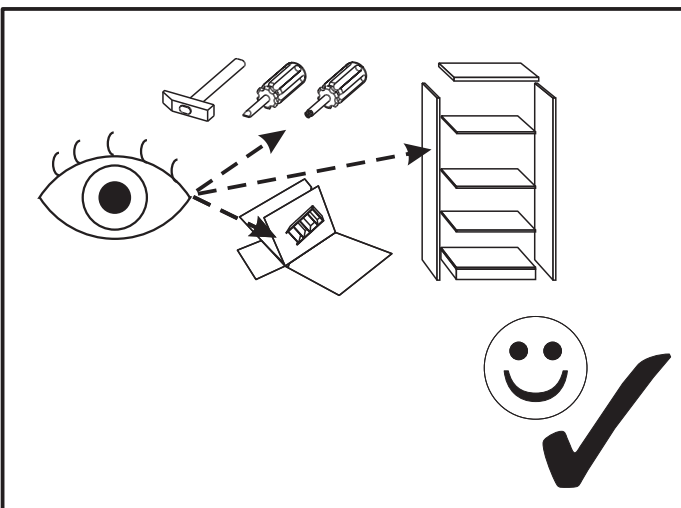
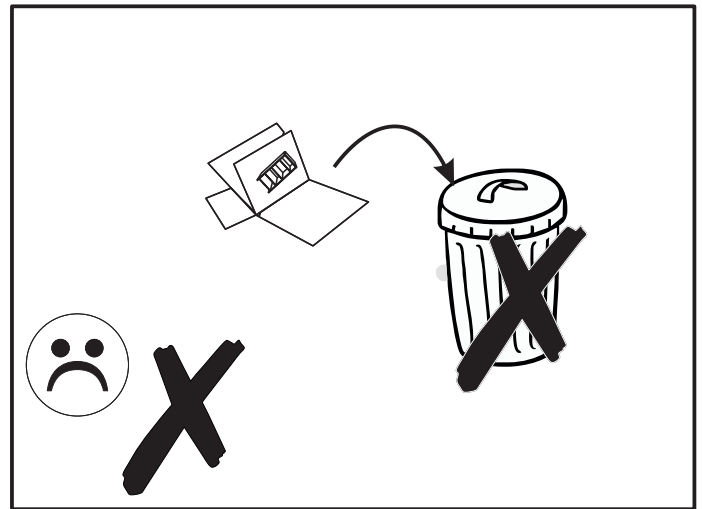
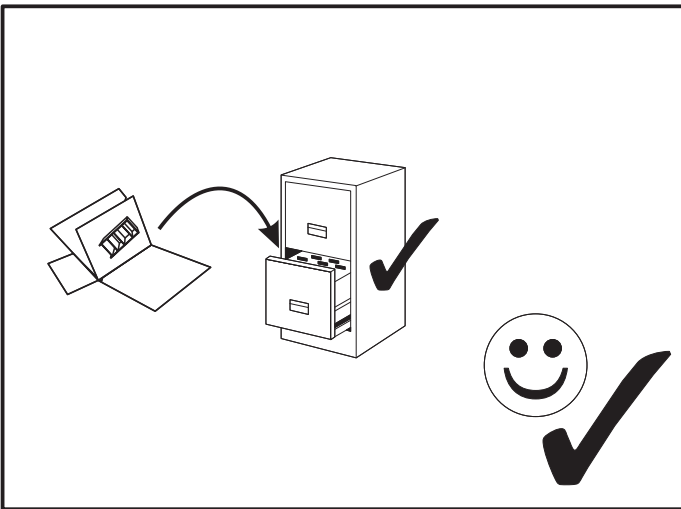
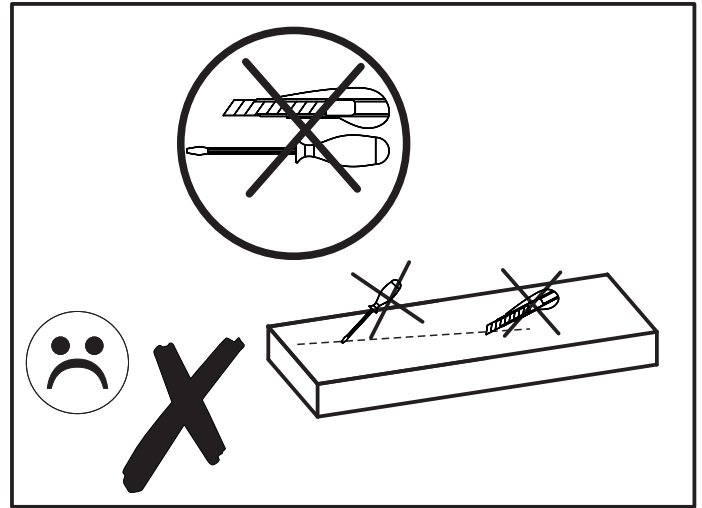
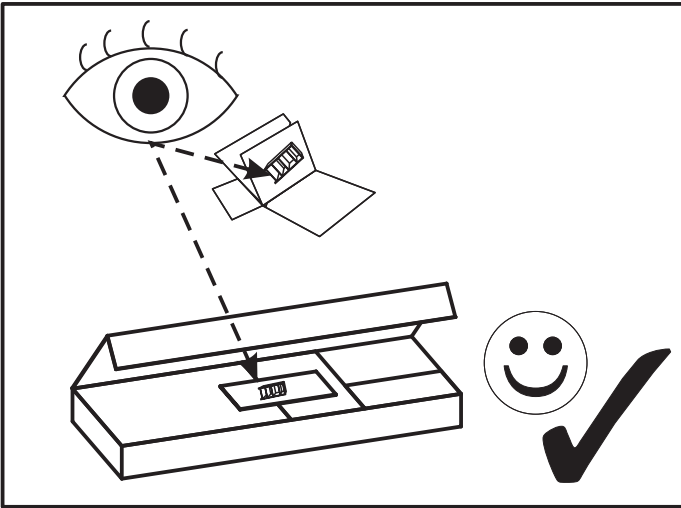
140

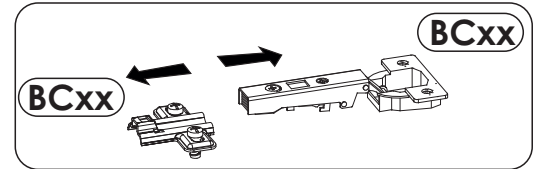
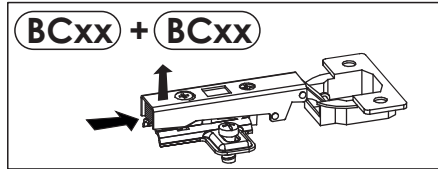
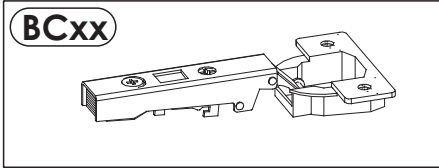
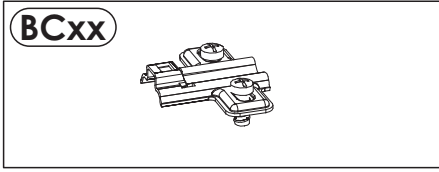


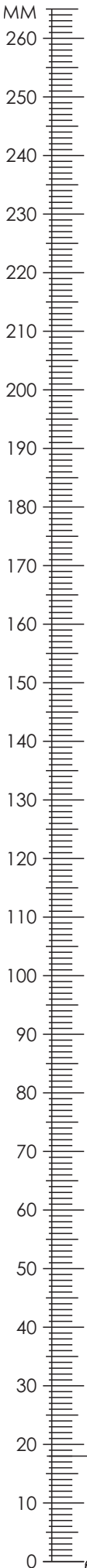
Ø8



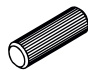
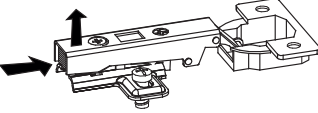


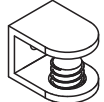



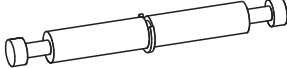

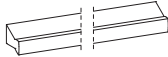




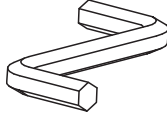






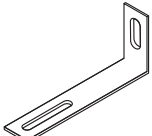
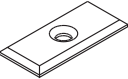
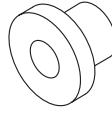
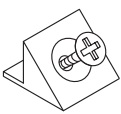
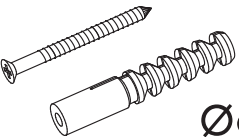
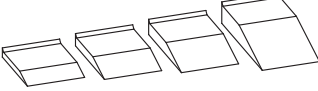


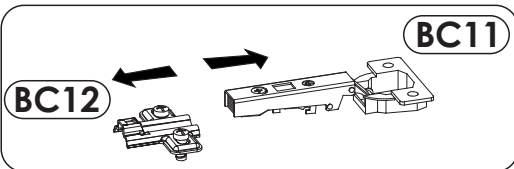


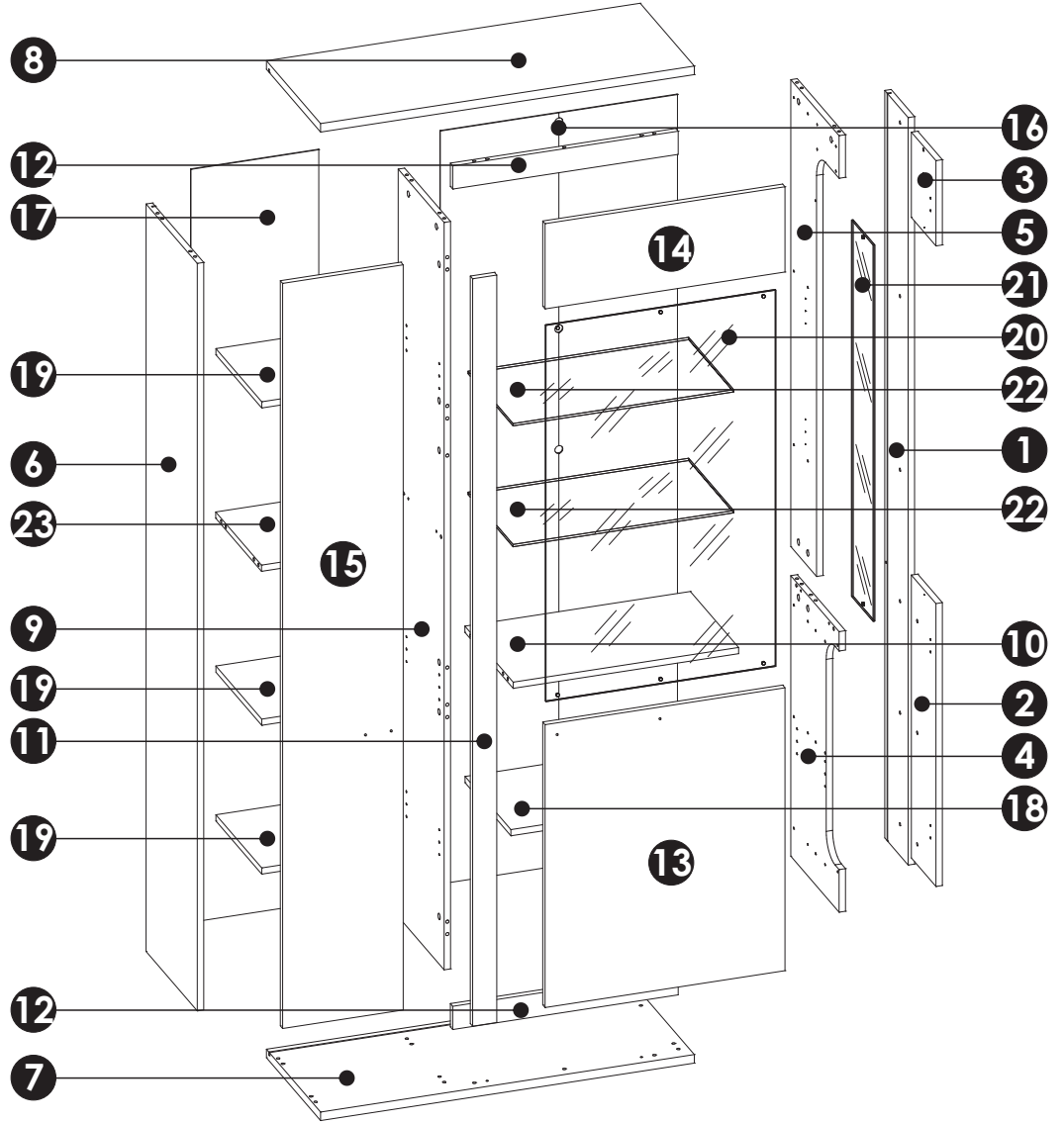
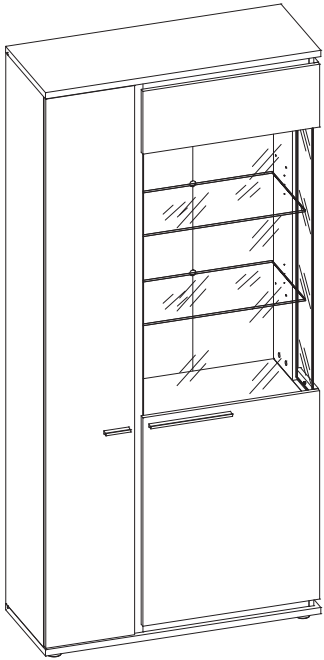






A1 8 x 35 mm x30 	A6 8 x 24 mm x11 	A2 8 x 45 mm x2 
BC12 + BC11 x6 	C2 5 x 13 mm x18 	D2 x16 
D5 x6 	E0 Ø16 x24 	E1 15 x 12 mm x28 
F1 6 x 34 mm x24 	F3 7 x 58 mm x2 	G2 7 x 60 mm x6 
H1 L - 276mm x1 	H2 L - 84mm x1 	I2 4 x 16 mm x10 
I4 3,5 x 27 mm x10 	I5 3,5 x 27 mm x4 	M x1 
N1 3 x 16 mm x20 	N13 4 x 25 mm x25 	O1 x5 
O2A Ø20 x5 	P15 x5 	P16 x25 
Q9 x2 	R1 x13 	R3 x8 
R4 x14 	S13 x2  Ø8	Z x1 

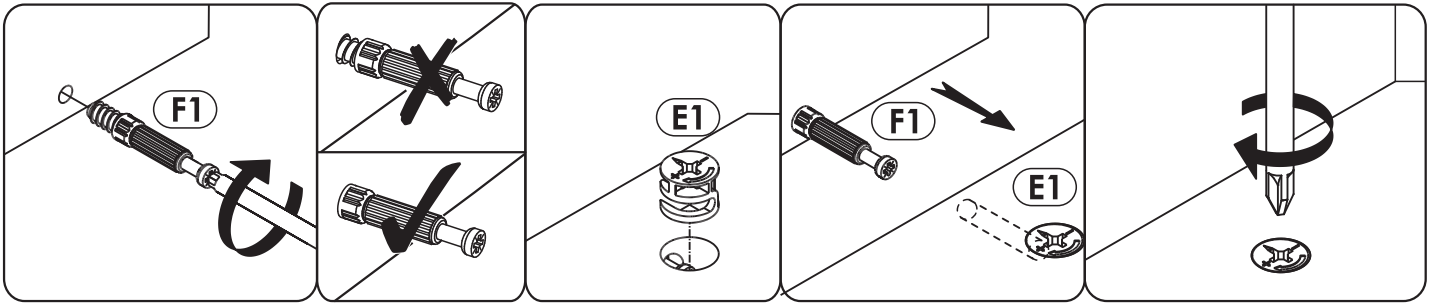




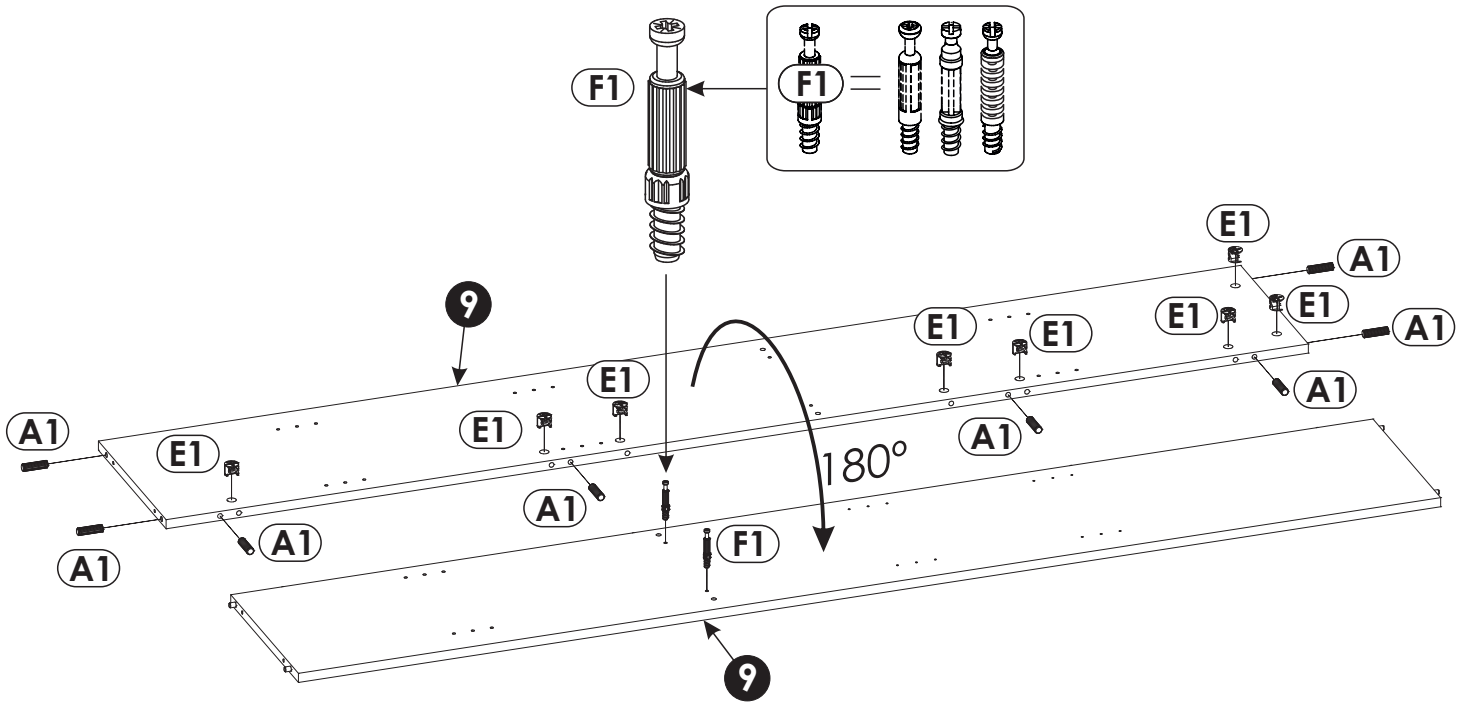
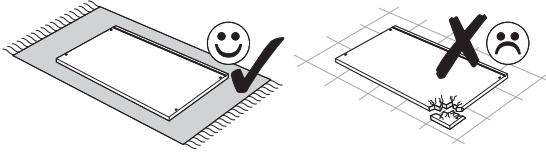
1	1929	160	16	x1	3/3
2	168	730	16	x1	1/3
3	168	220	16	x1	1/3
4	724	330	16	x1	1/3
5	1205	330	16	x1	1/3
6	1929	350	16	x1	3/3
7	930	370	22	x1	2/3

8	930	370	22	x1	2/3
9	1929	314	16	x1	3/3
10	561	330	16	x1	1/3
11	1929	60	16	x1	3/3
12	561	60	16	x2	1/3
13	597	730	16	x1	2/3
14	597	220	16	x1	2/3

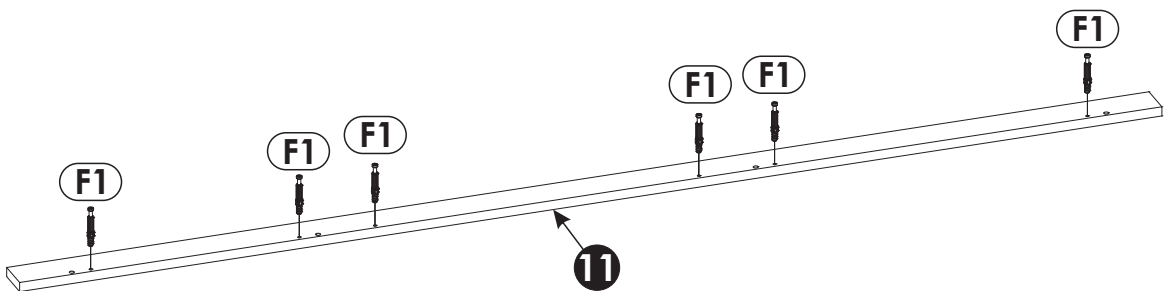
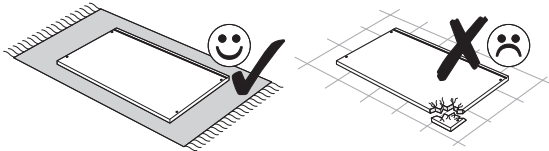
15	1923	300	16	x1	3/3
16	1943	590	3	x1	3/3
17	1943	318	3	x1	3/3
18	560	313	16	x1	1/3
19	303	313	16	x3	1/3
20	971	572	4	x1	2/3
21	971	148	4	x1	2/3
22	549	308	4	x2	1/3
23	304	313	16	x1	1/3

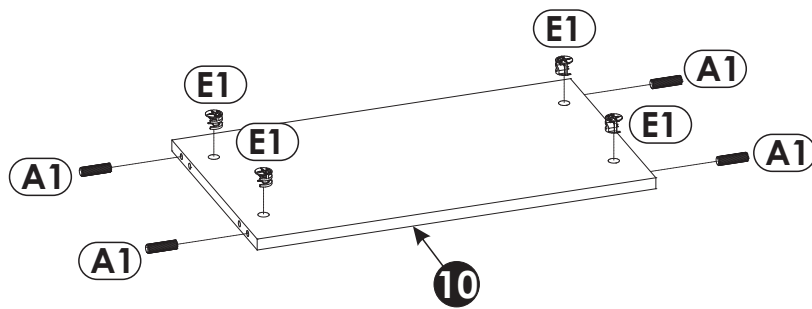
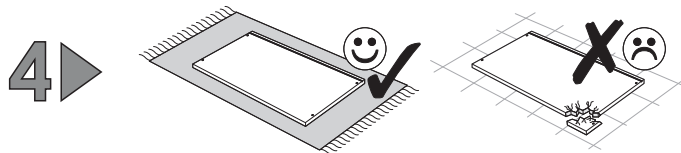
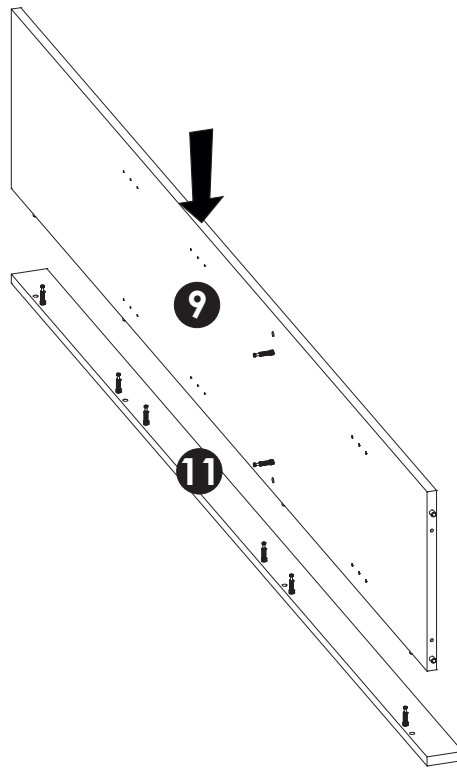
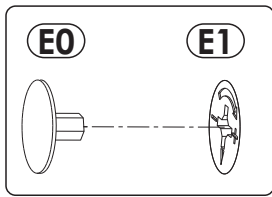
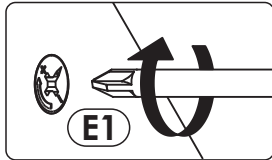
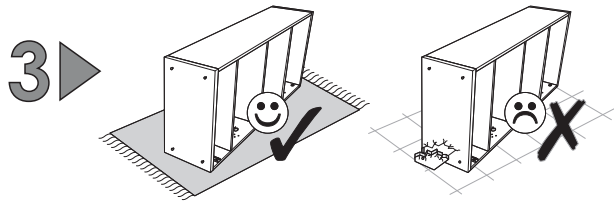


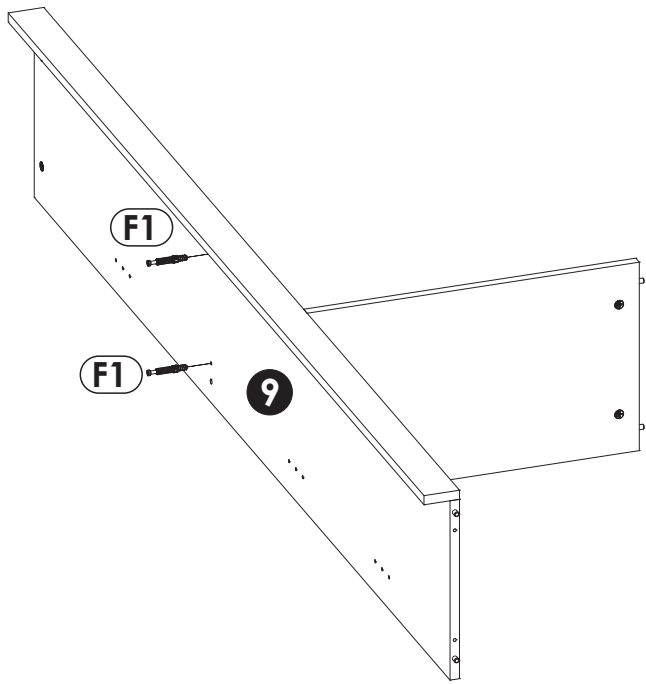
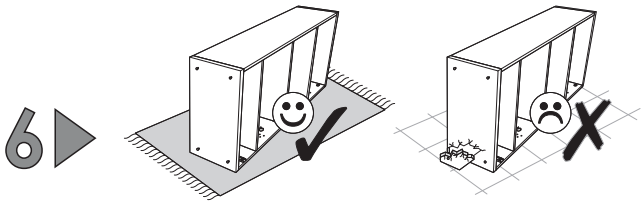
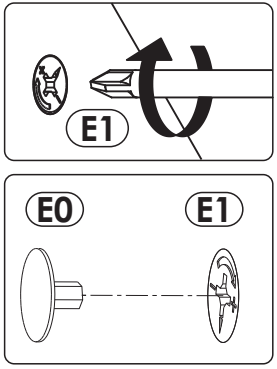
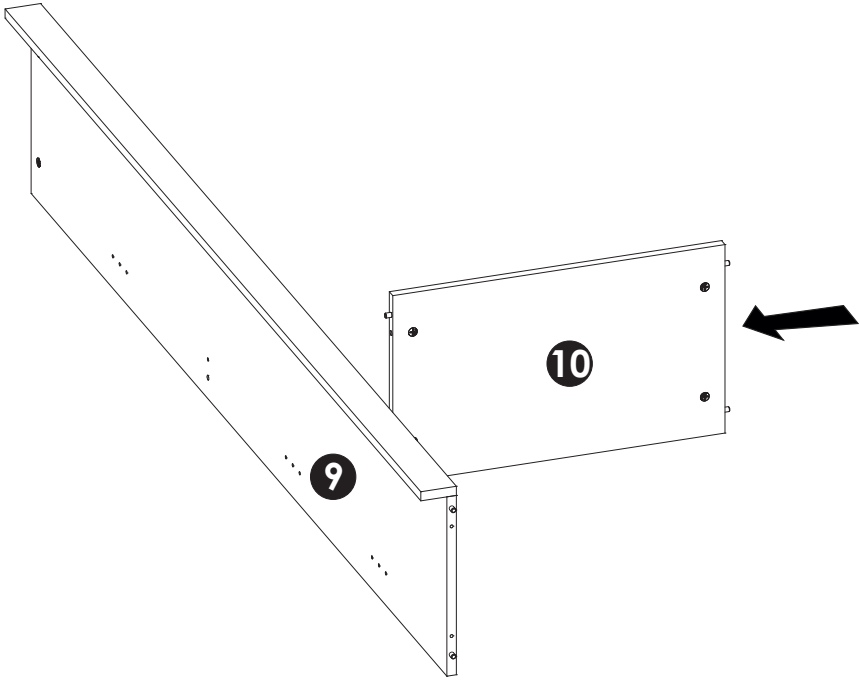
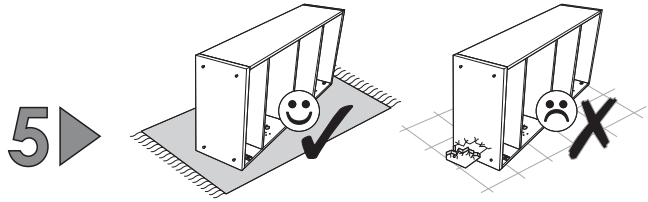
1 ▶

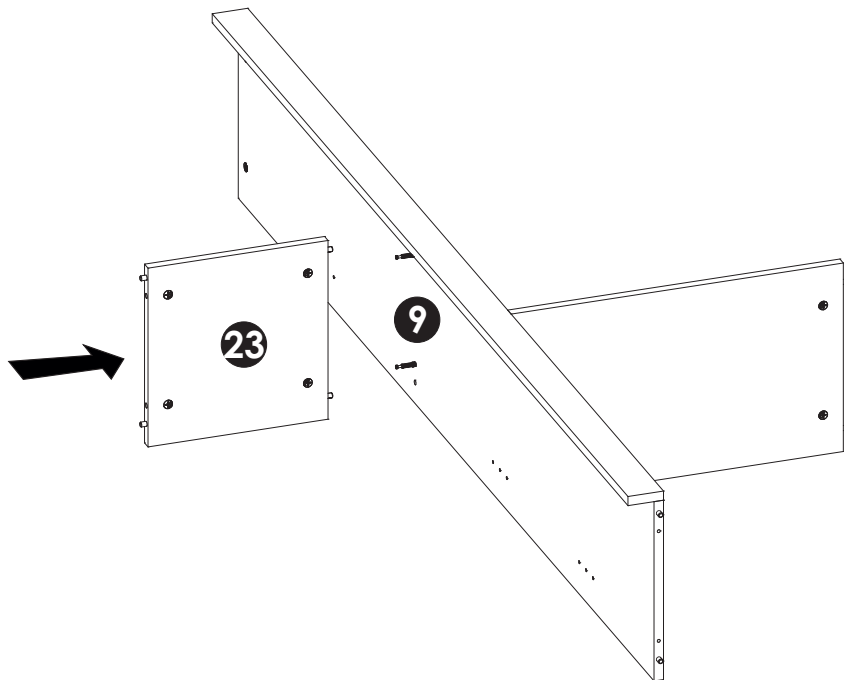
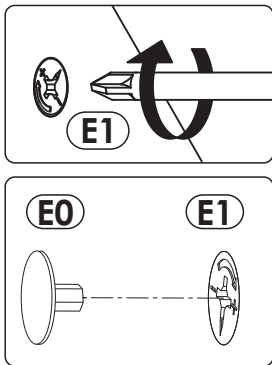
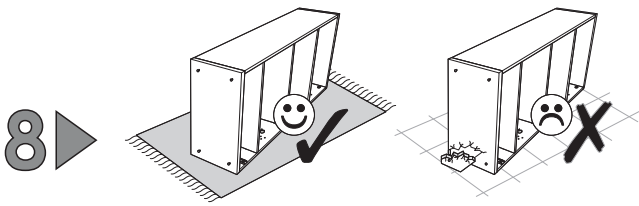
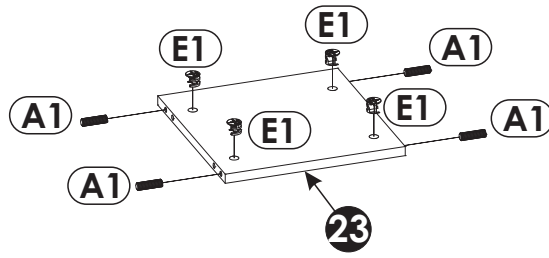
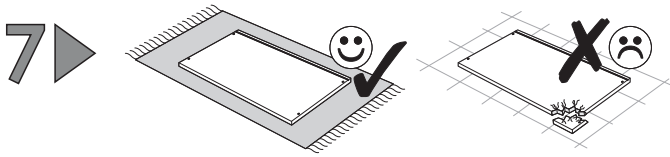


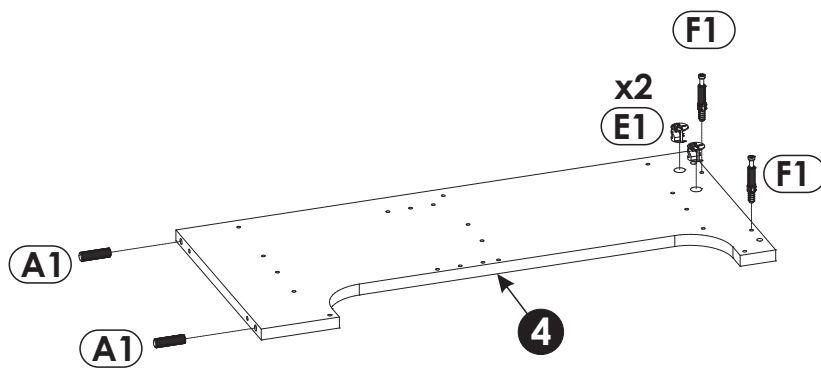
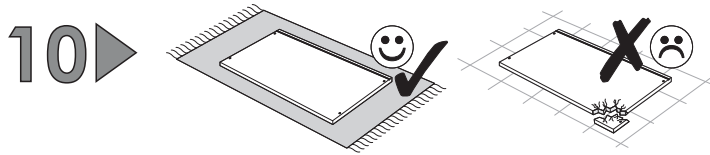
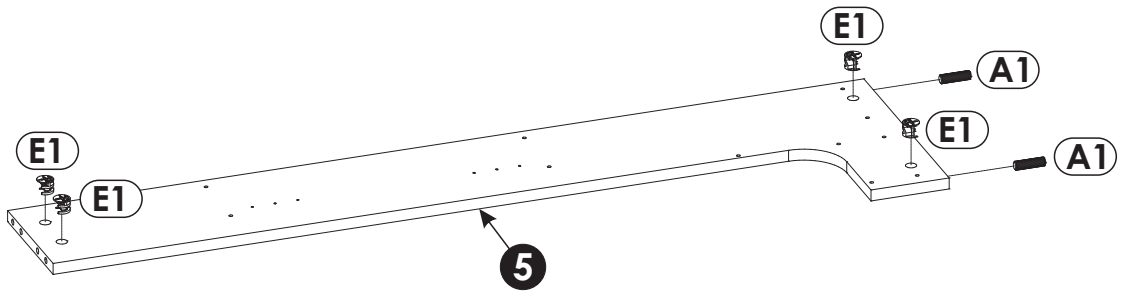
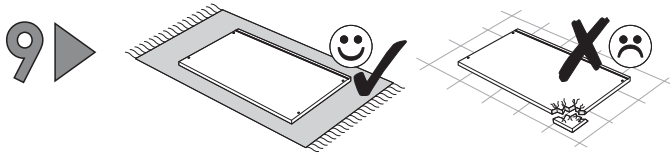
2 ▶



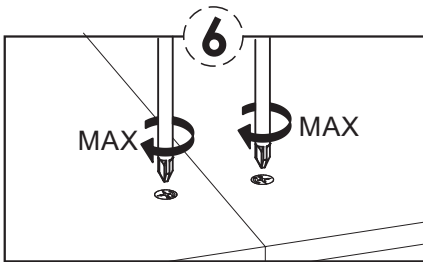
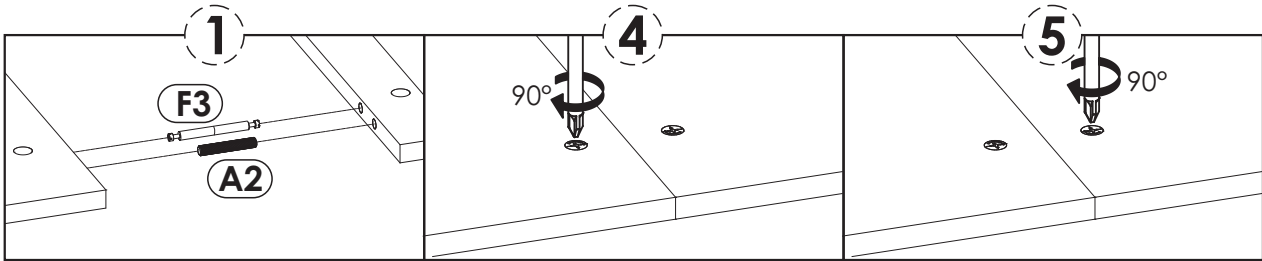
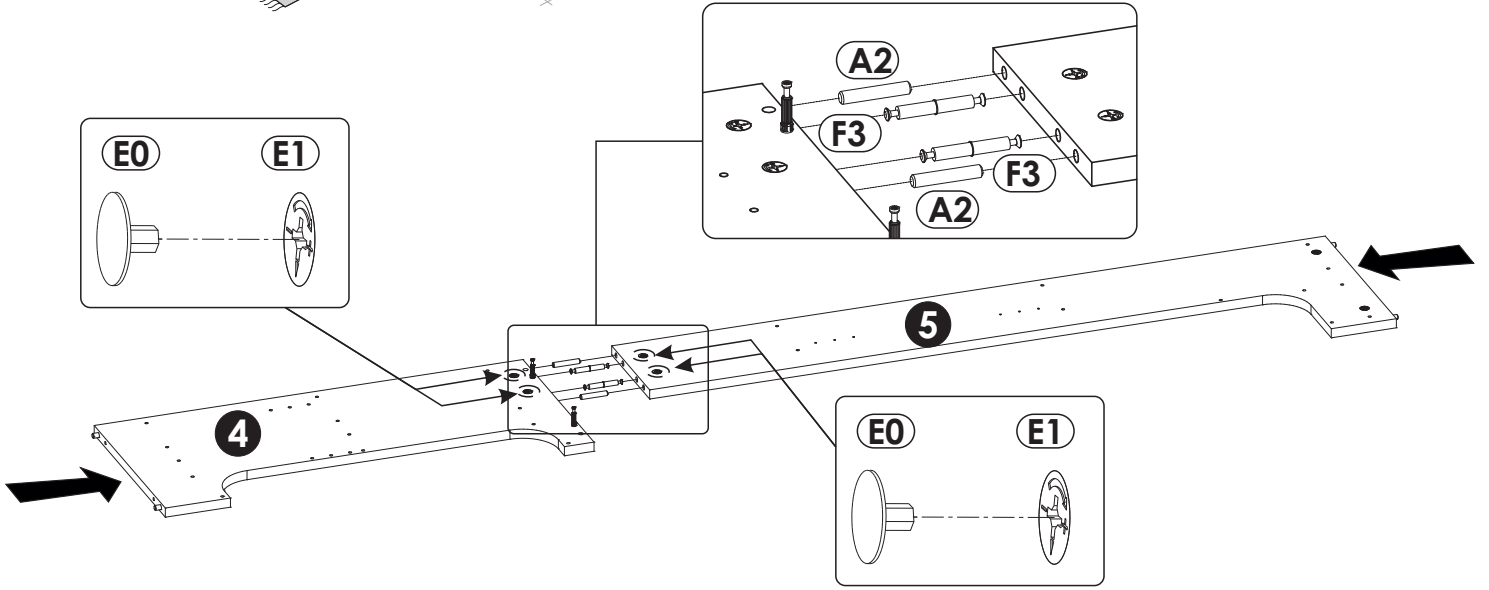
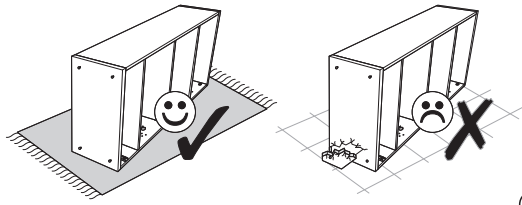




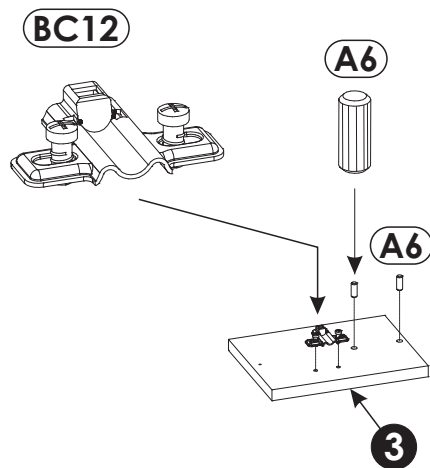
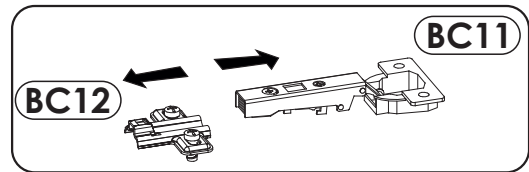
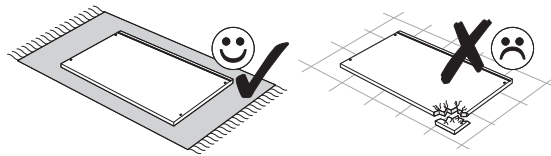




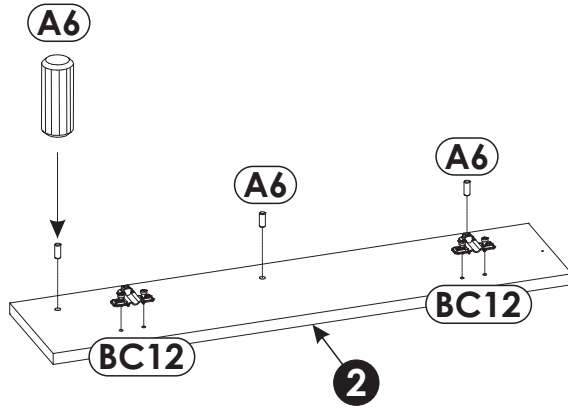
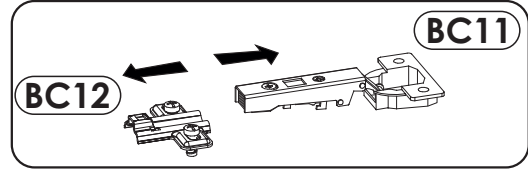
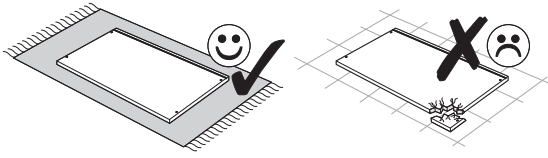
11 ▶



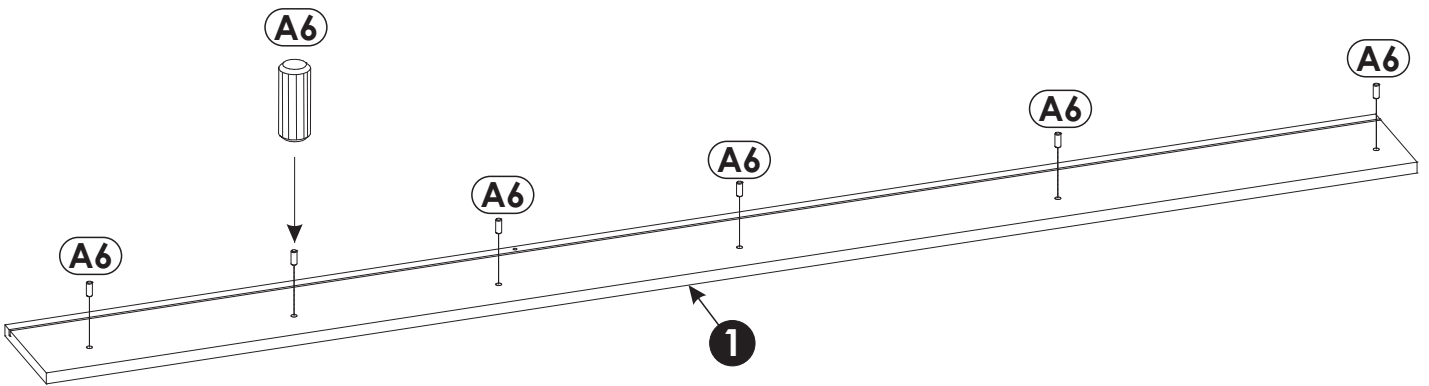
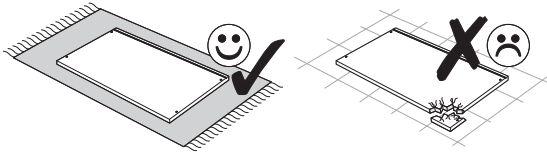
12 ▶



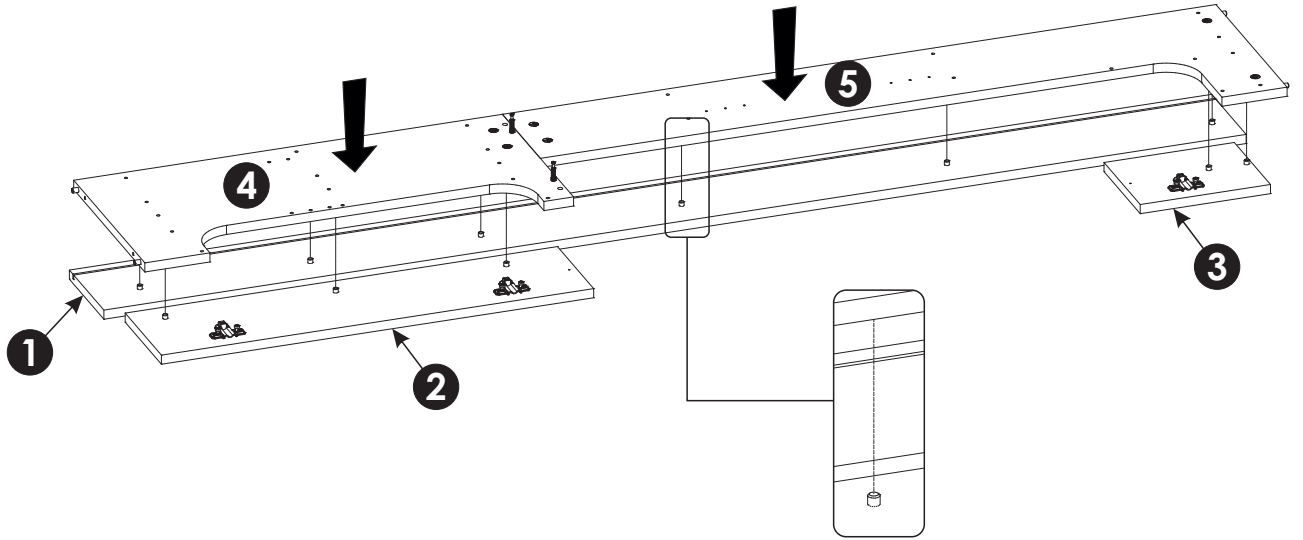
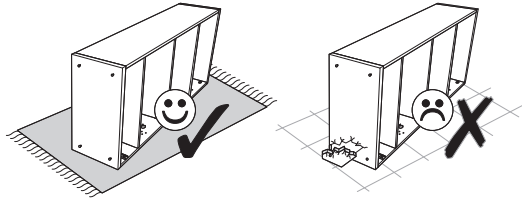
13▶



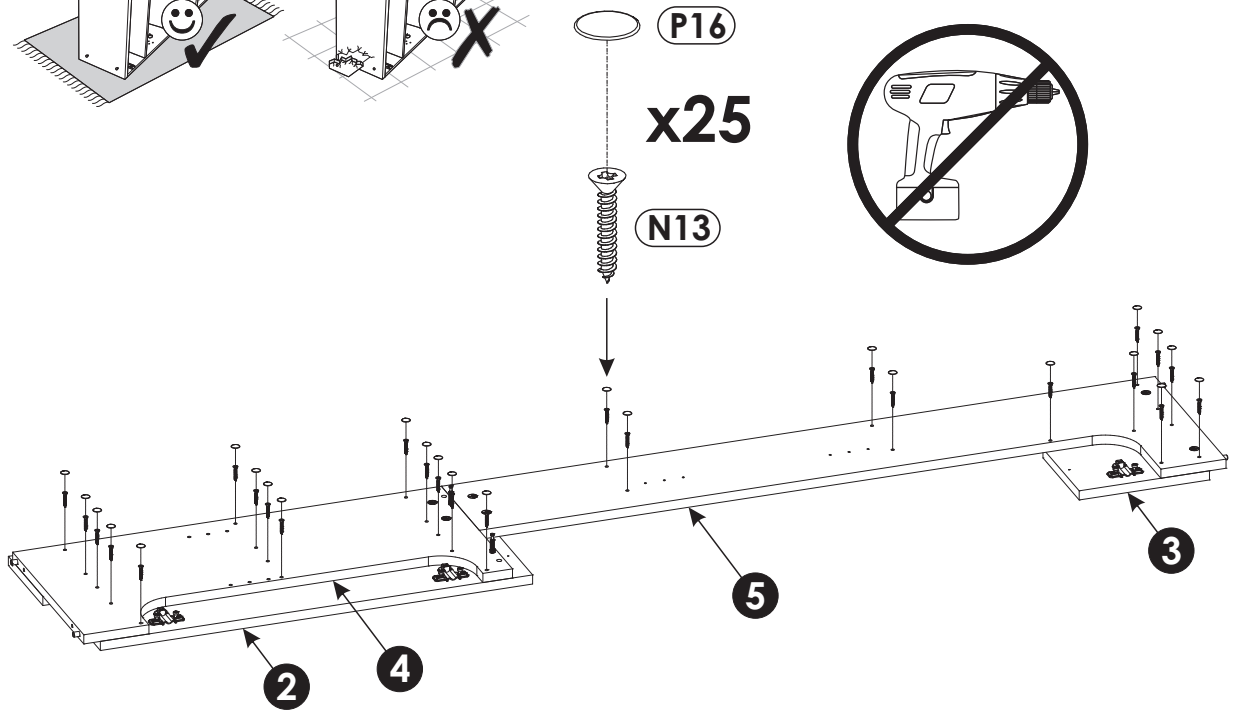
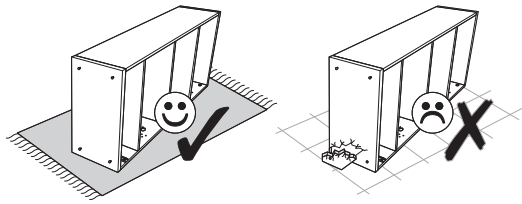
14▶



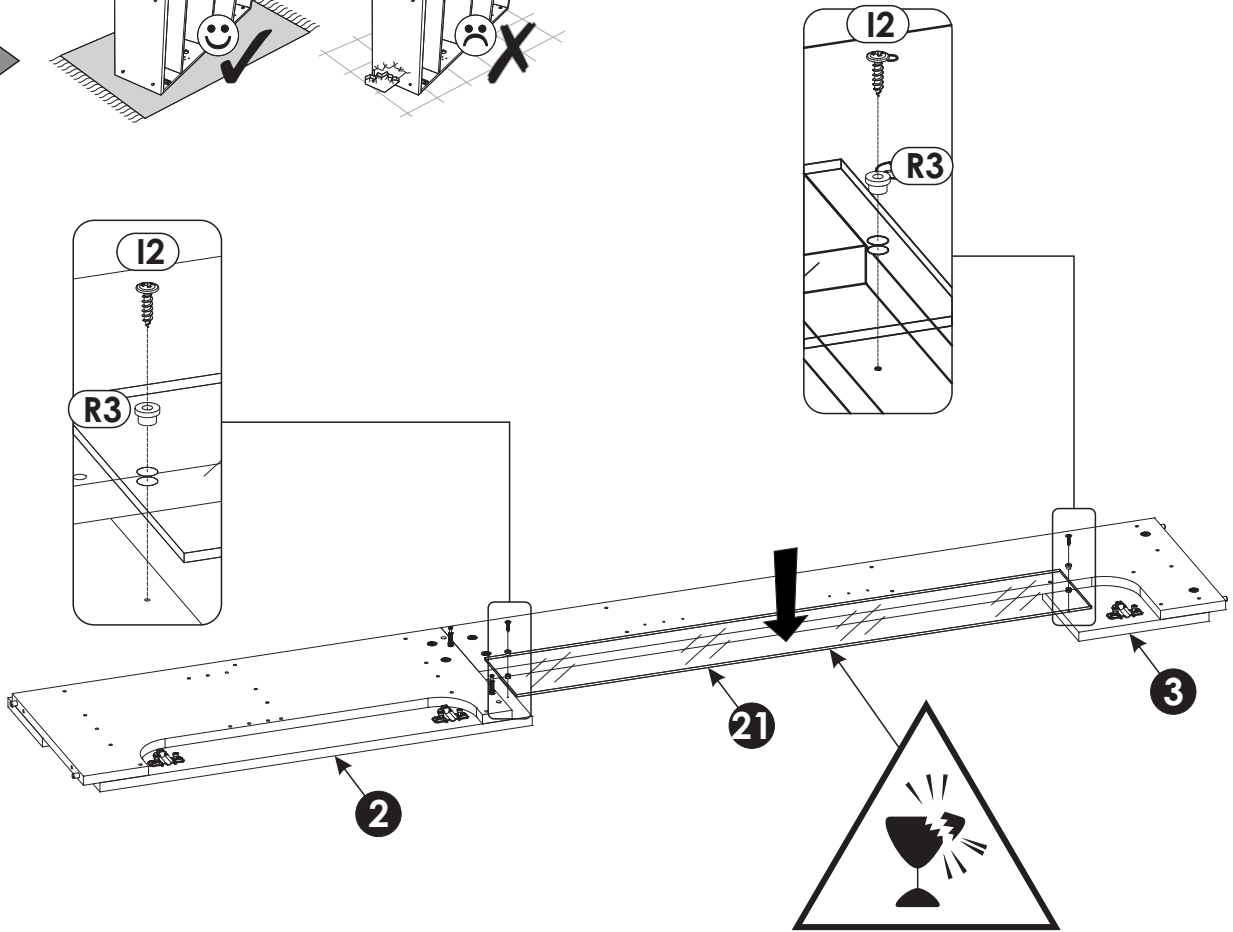
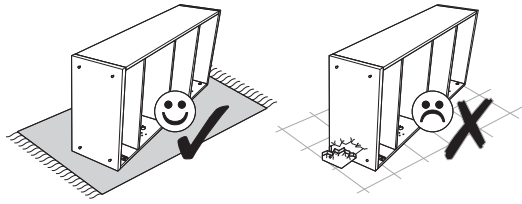
15 ▶



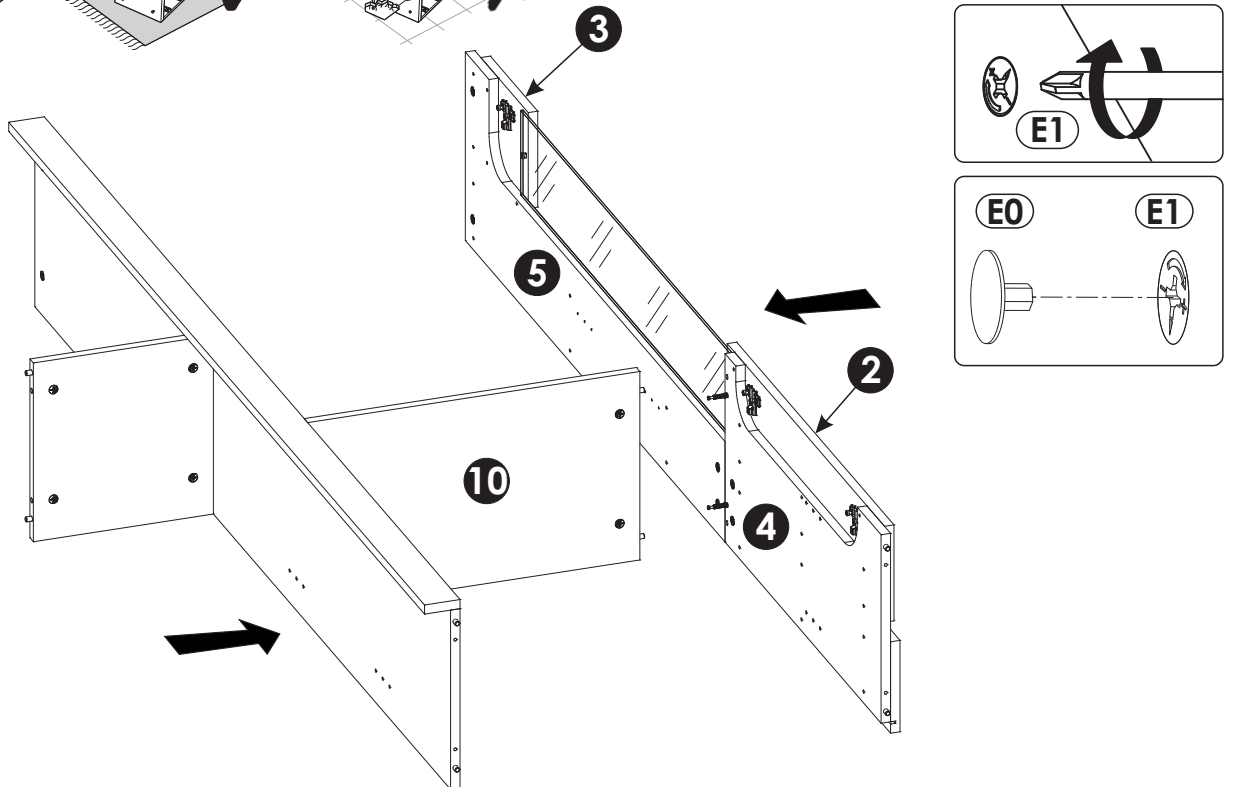
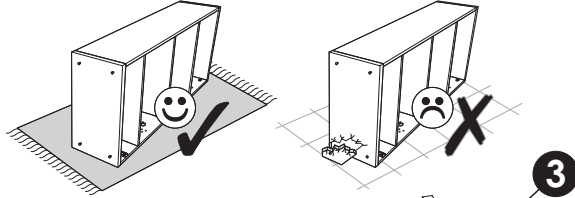
16 ▶



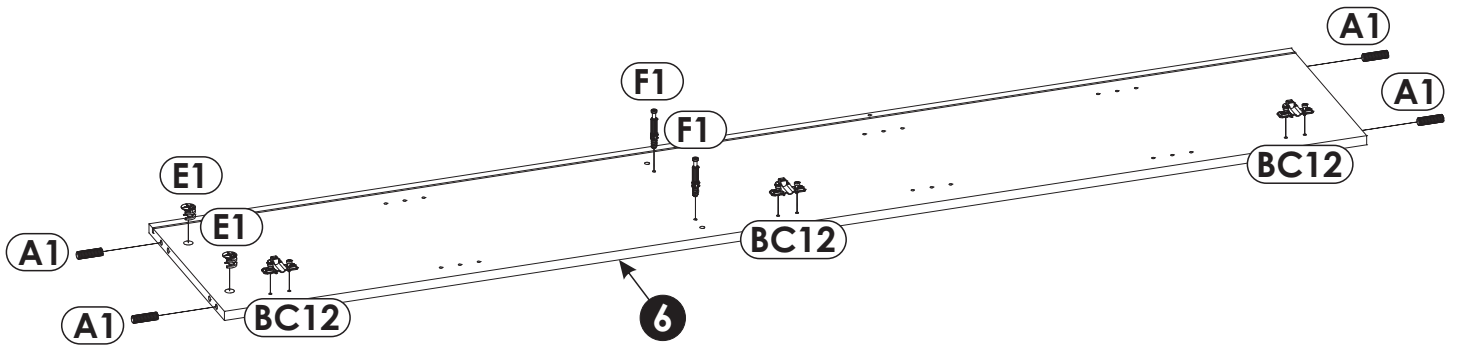
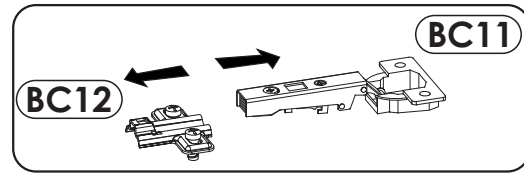
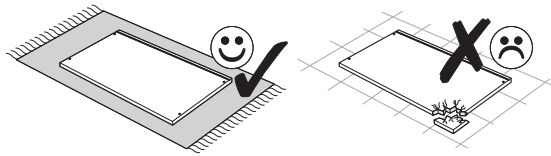
17 ▶



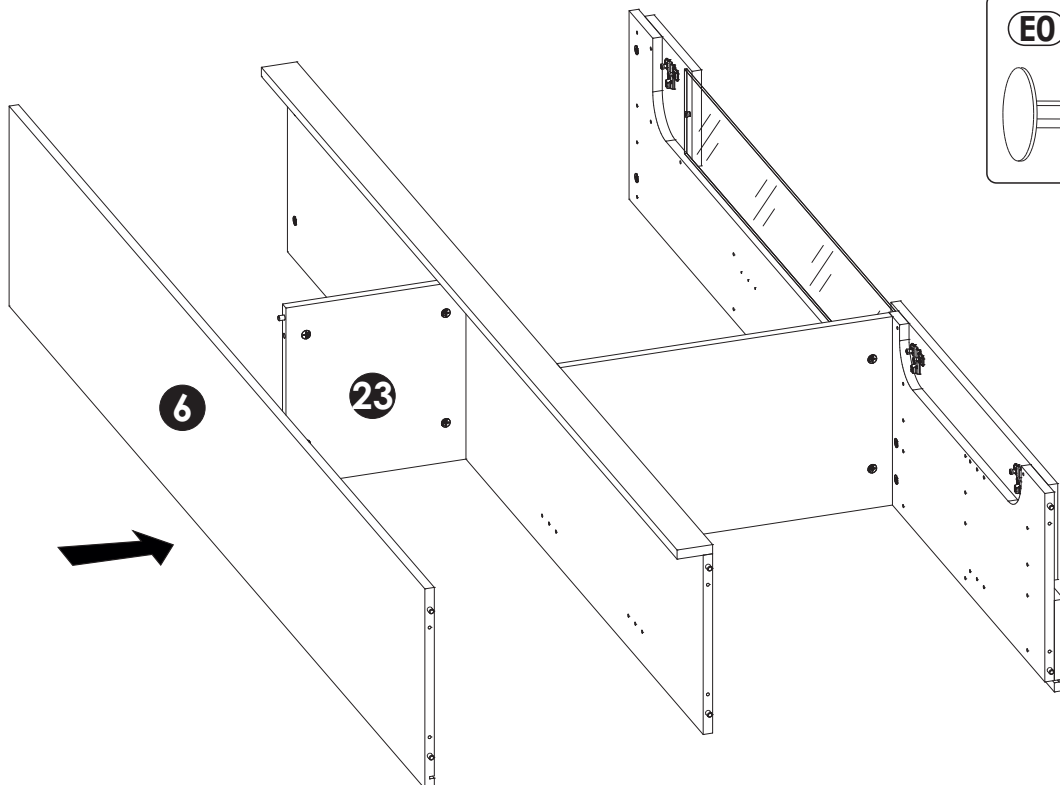
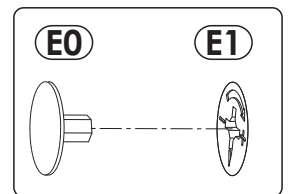
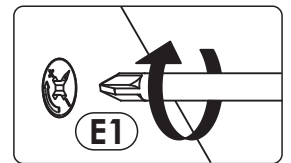
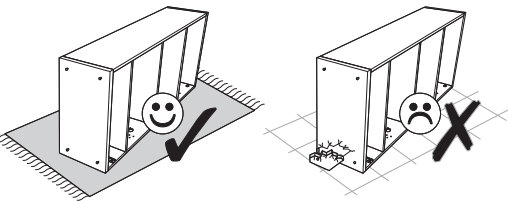
18 ▶



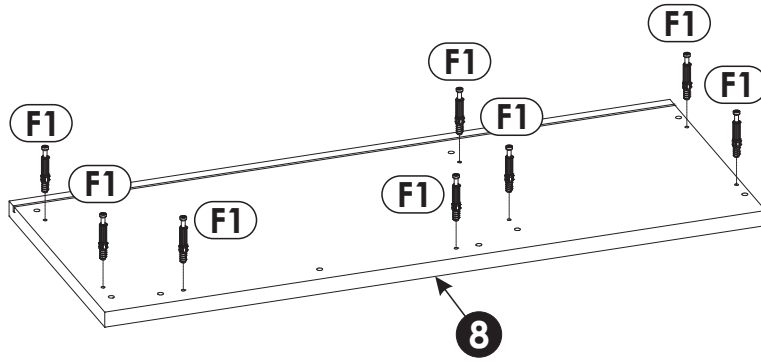
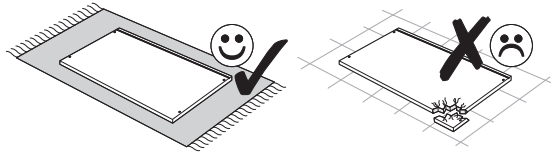
19▶



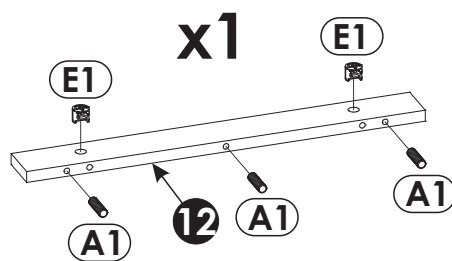
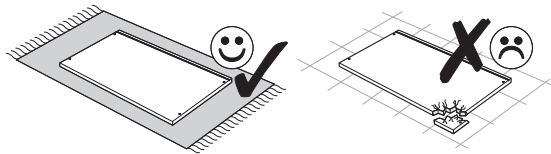
20▶



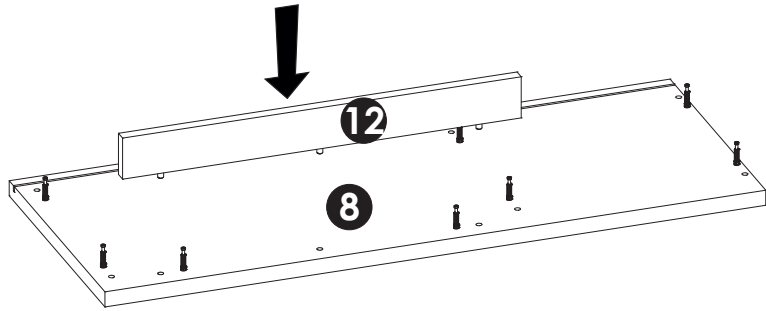
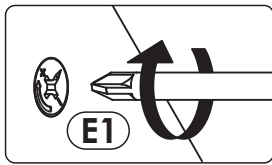
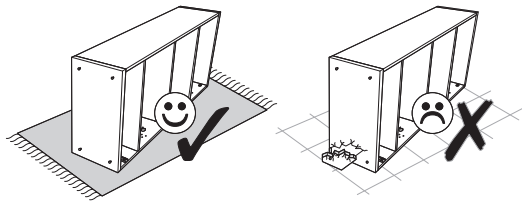
21 ▶



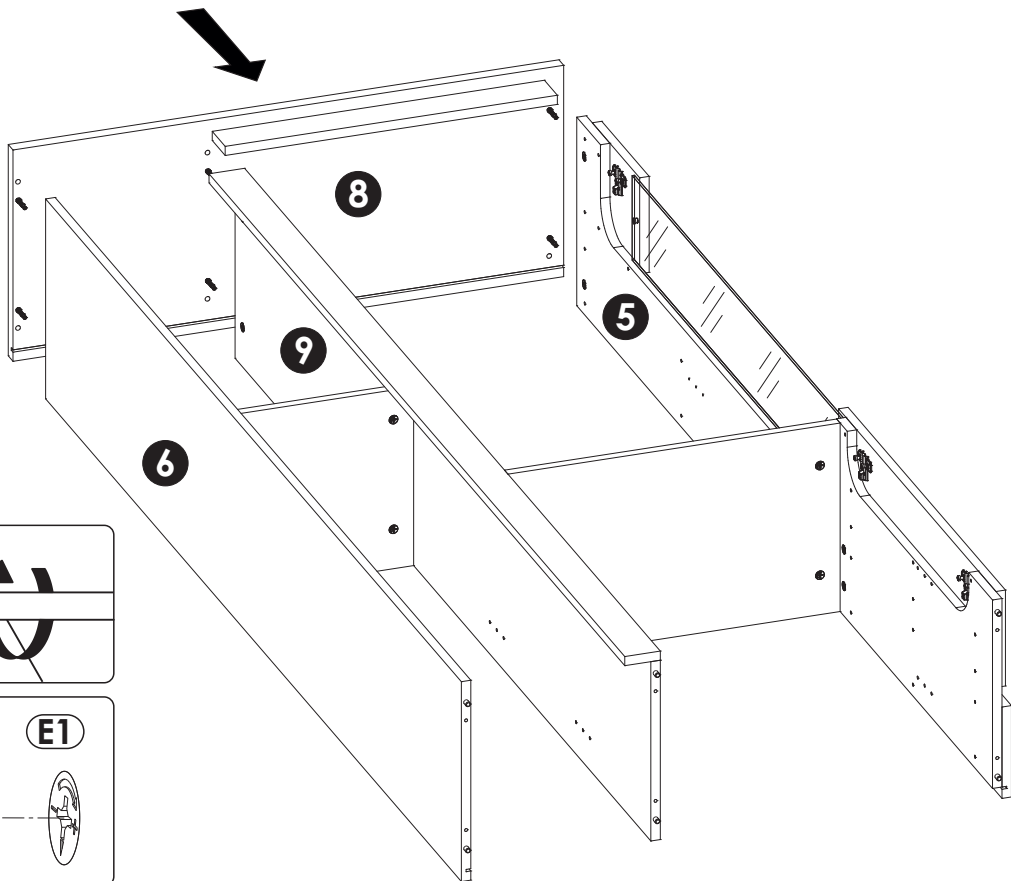
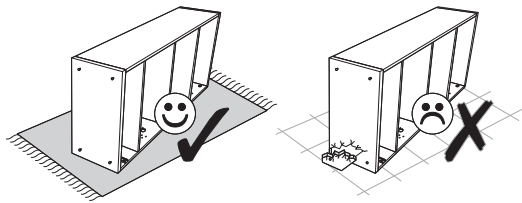
22 ▶

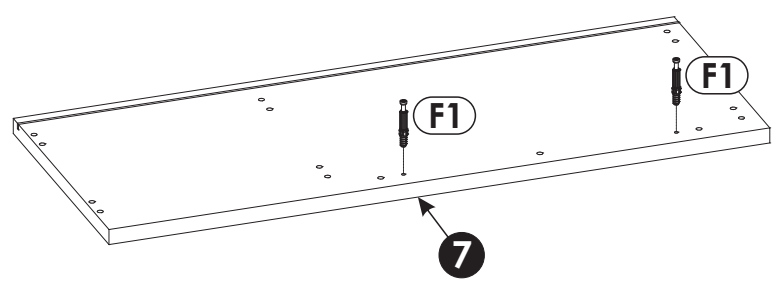
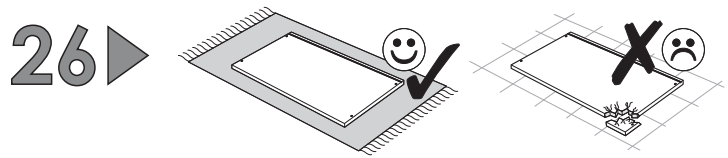
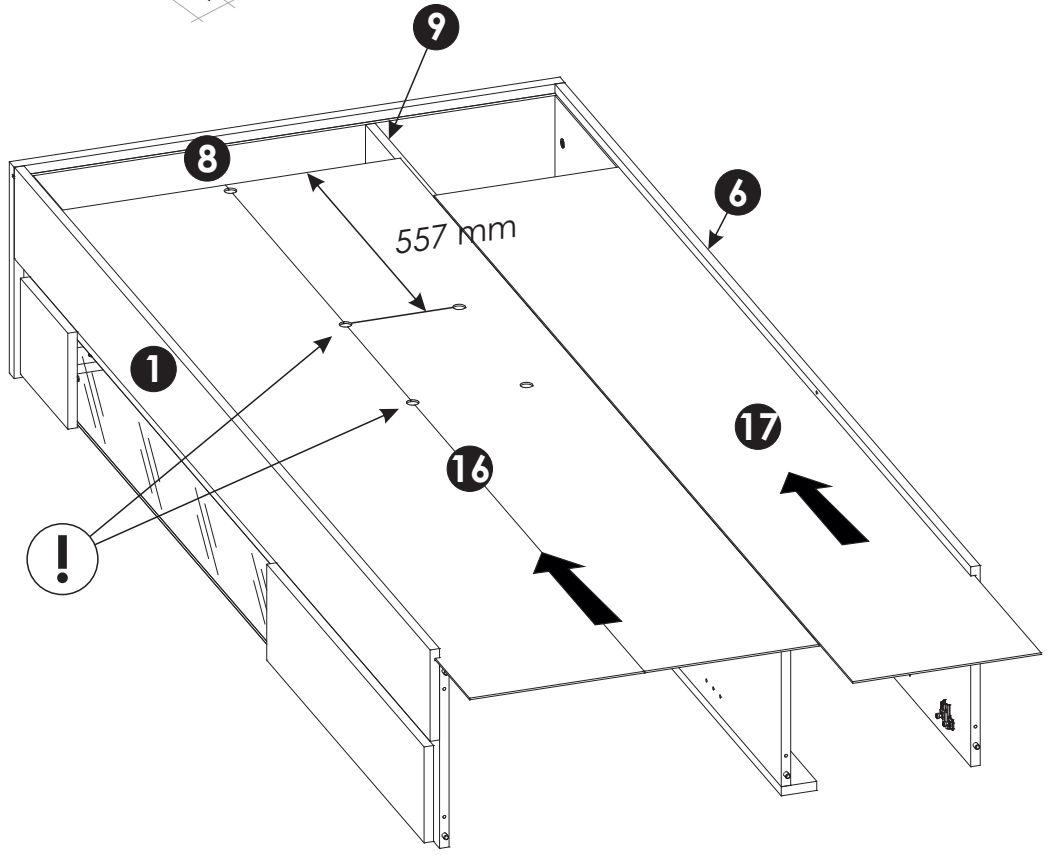
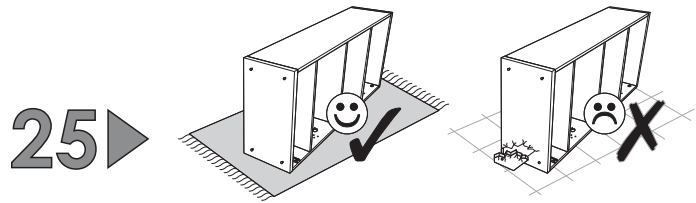


23 ▶

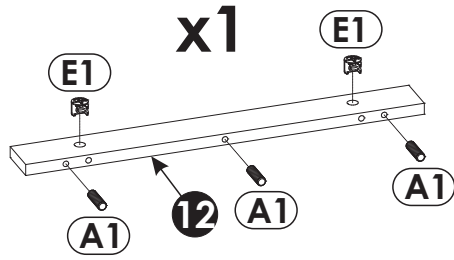
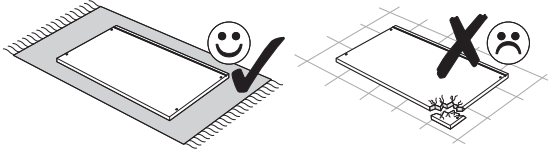


24 ▶

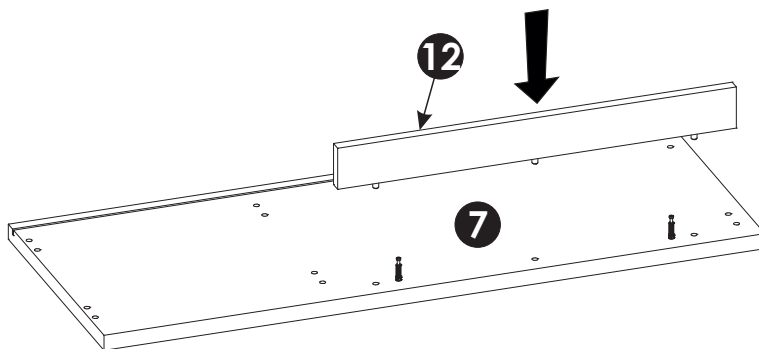
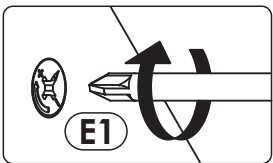
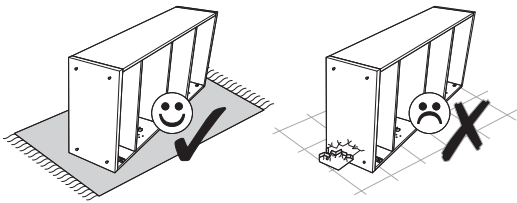




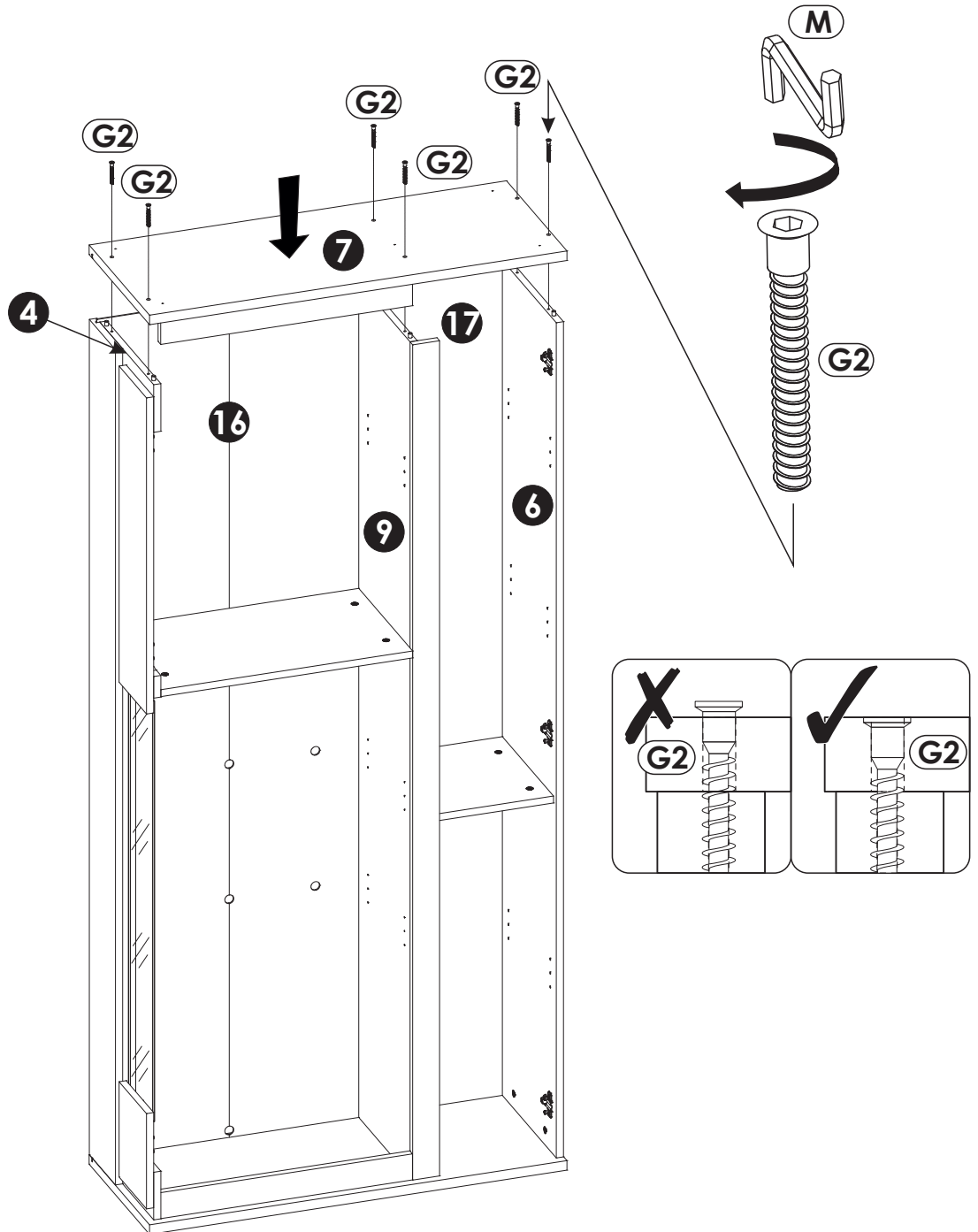
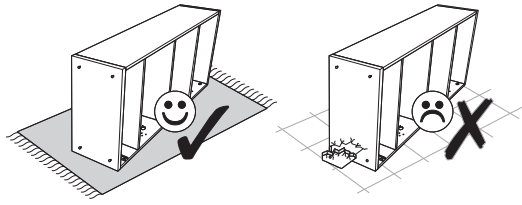
27▶



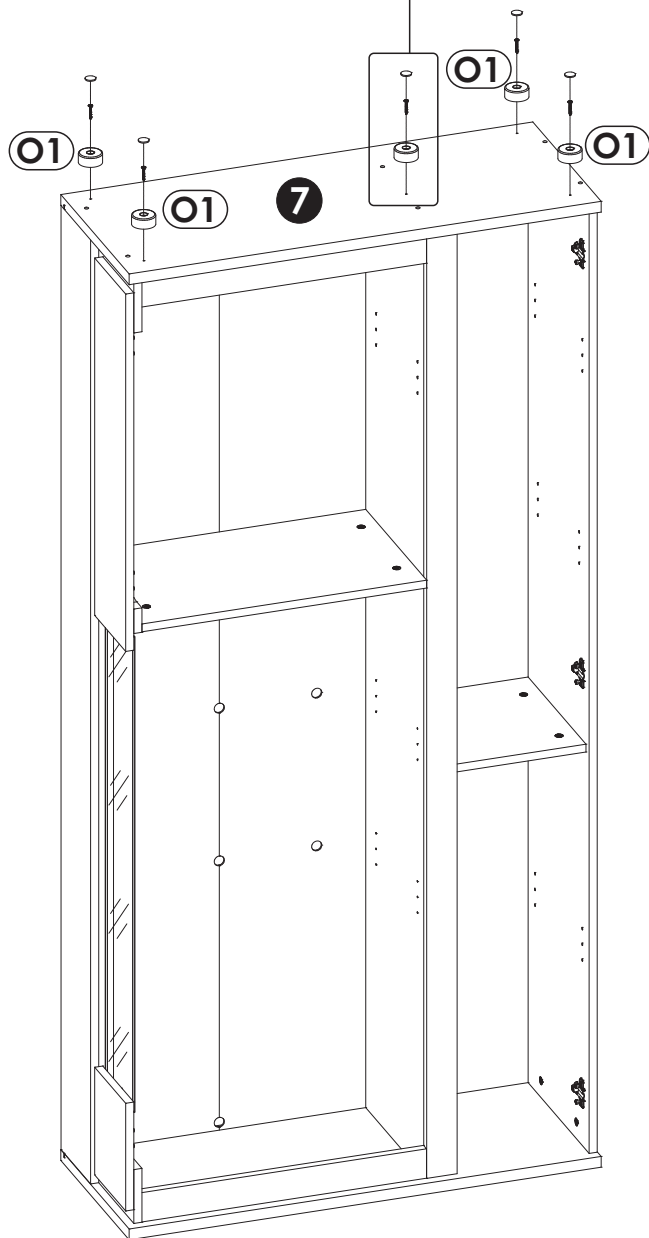
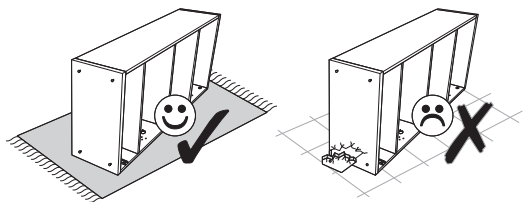
28▶



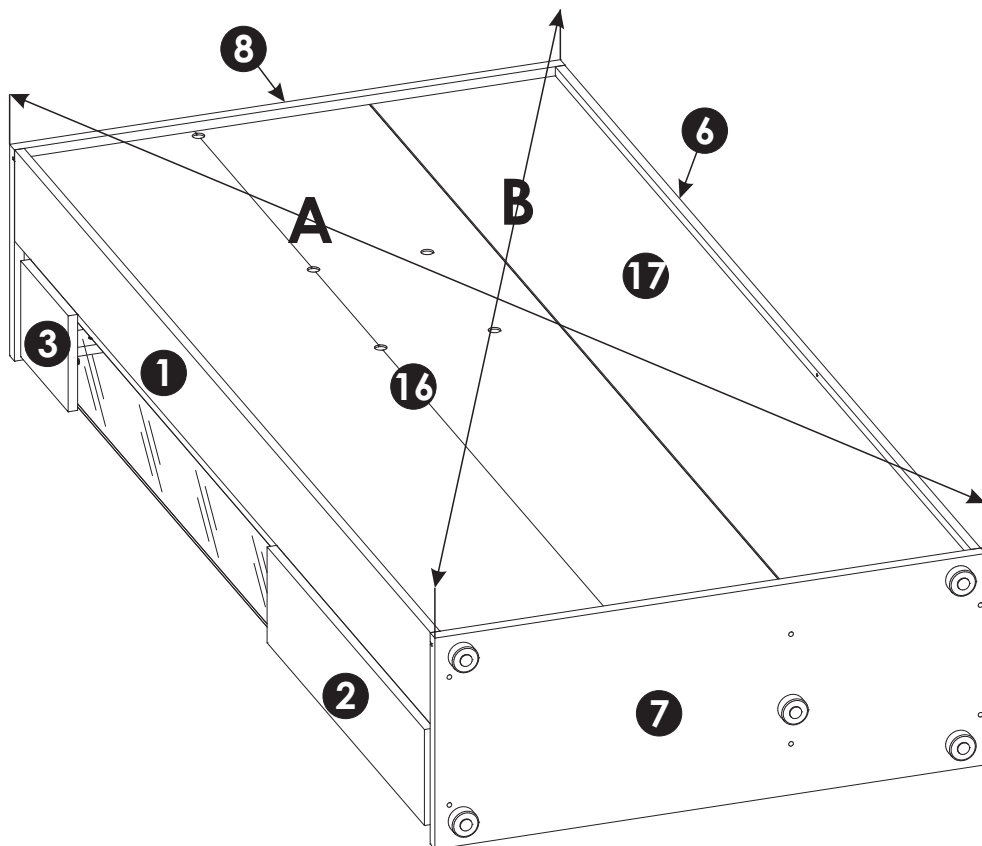
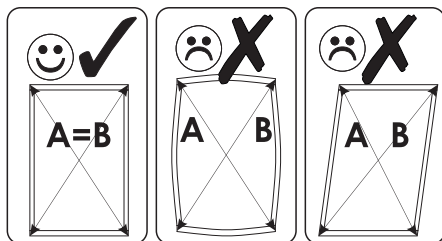
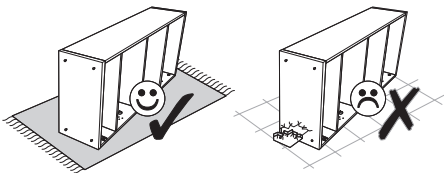
29 ▶▶



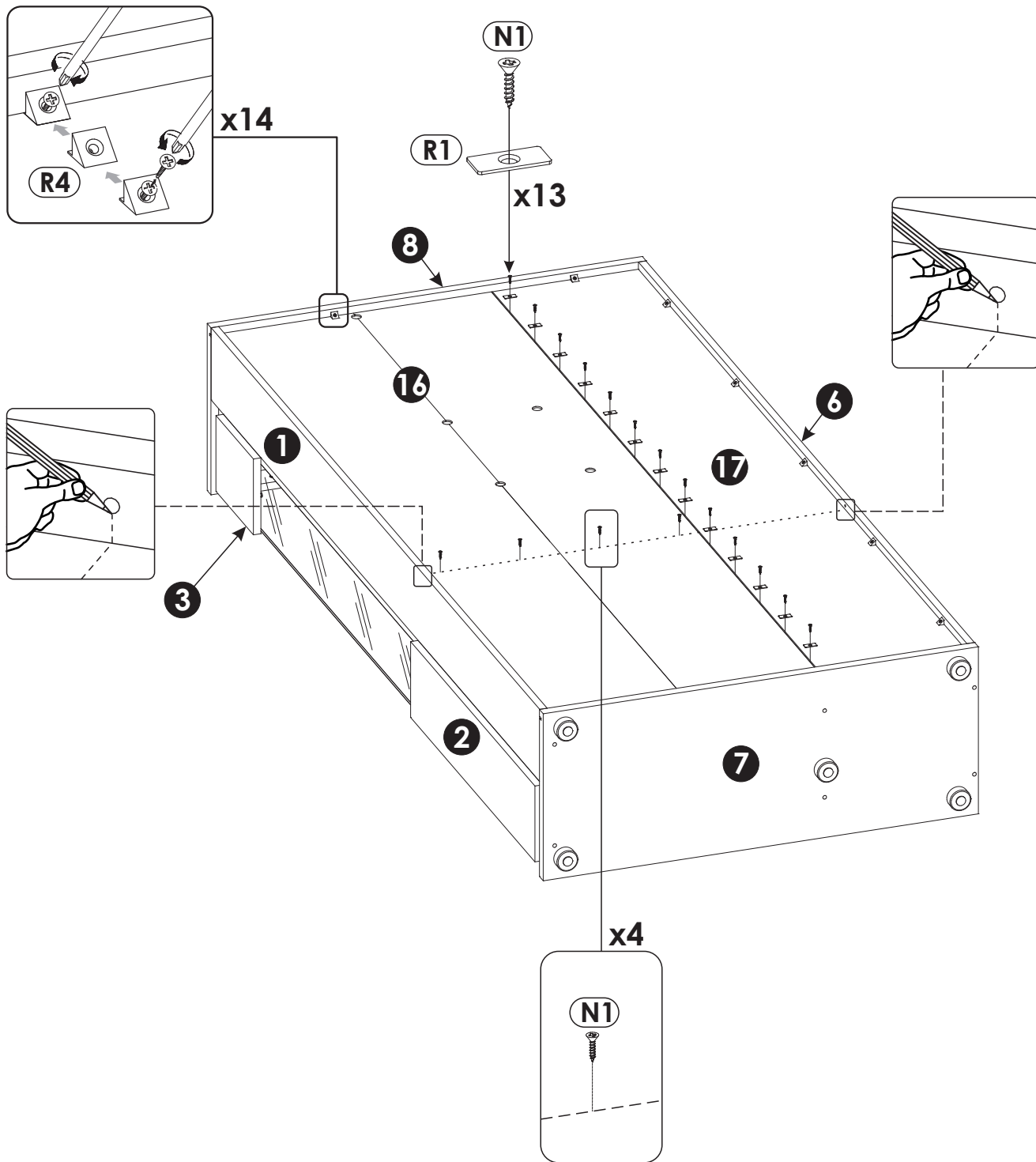
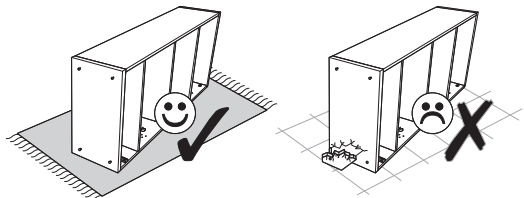
30 ▶

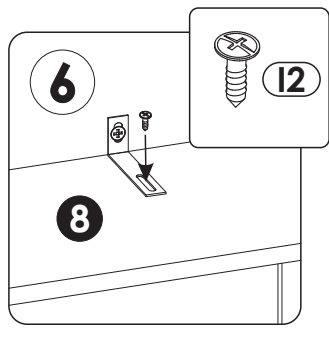
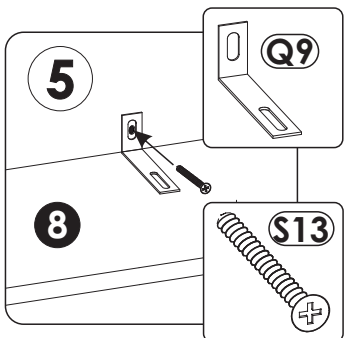
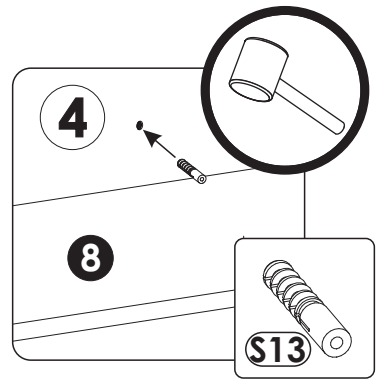
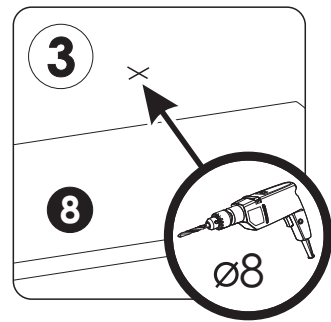
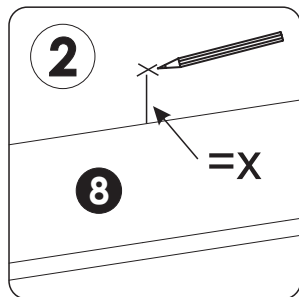
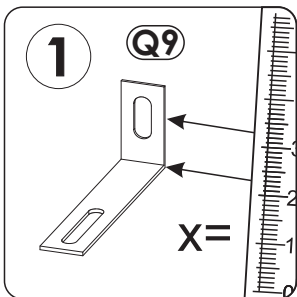
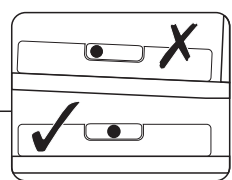
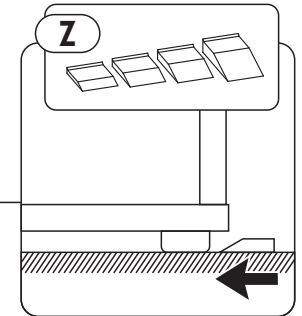
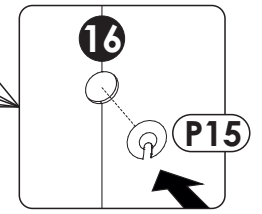
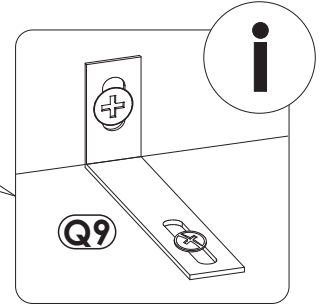
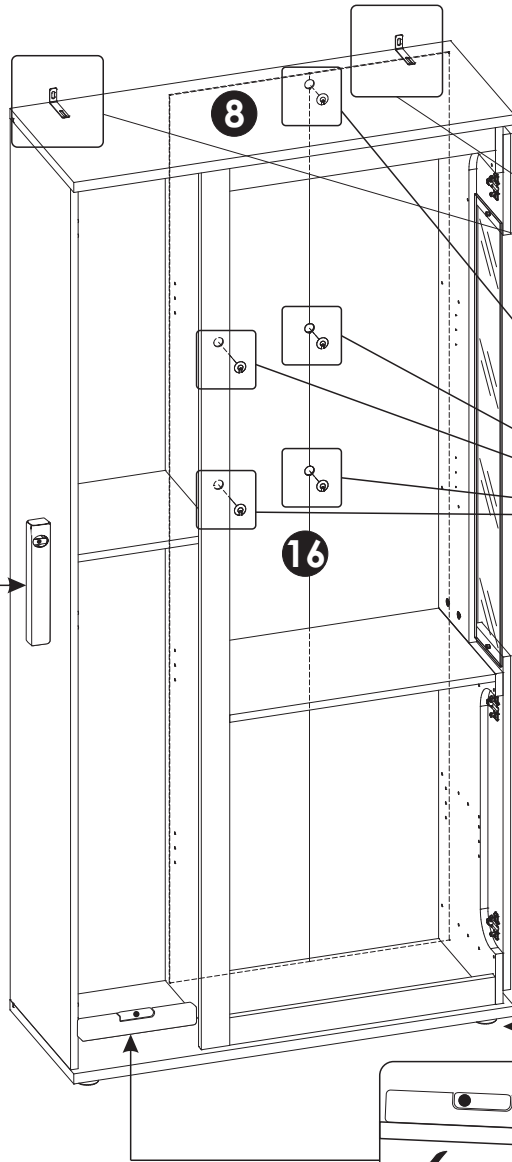
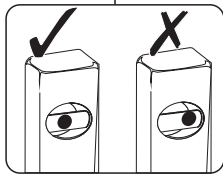
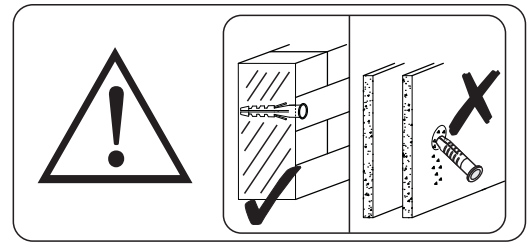


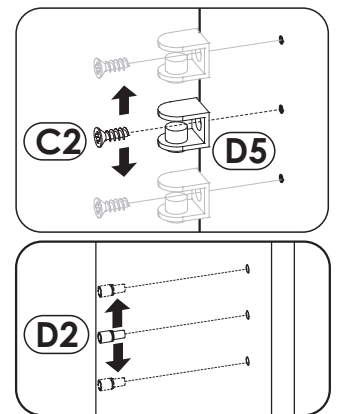
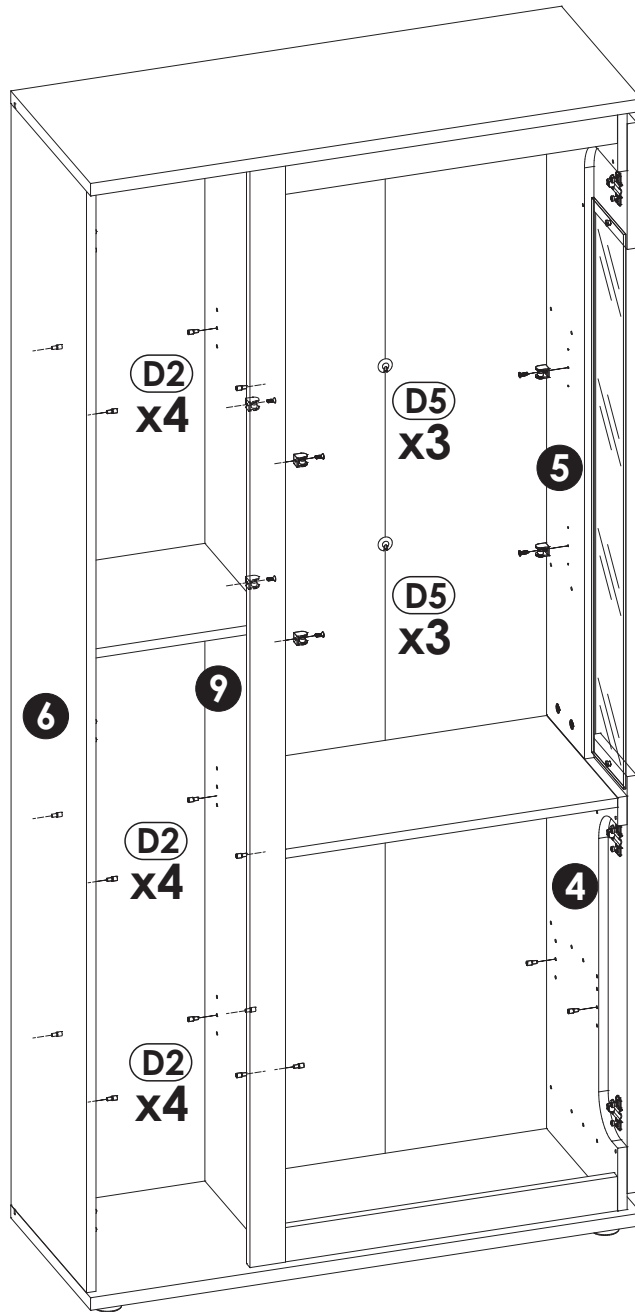
31 ▶

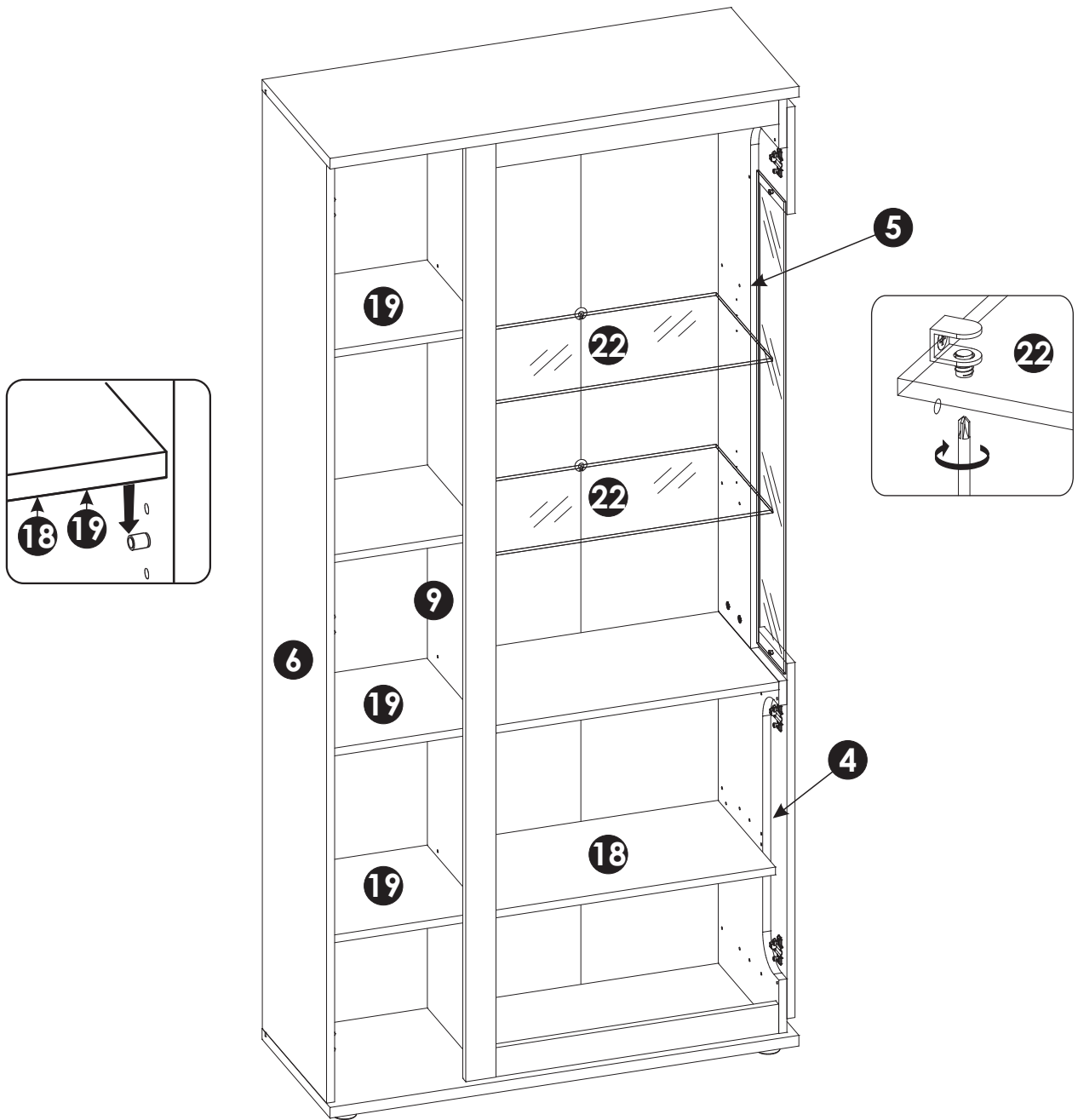


32 ▶

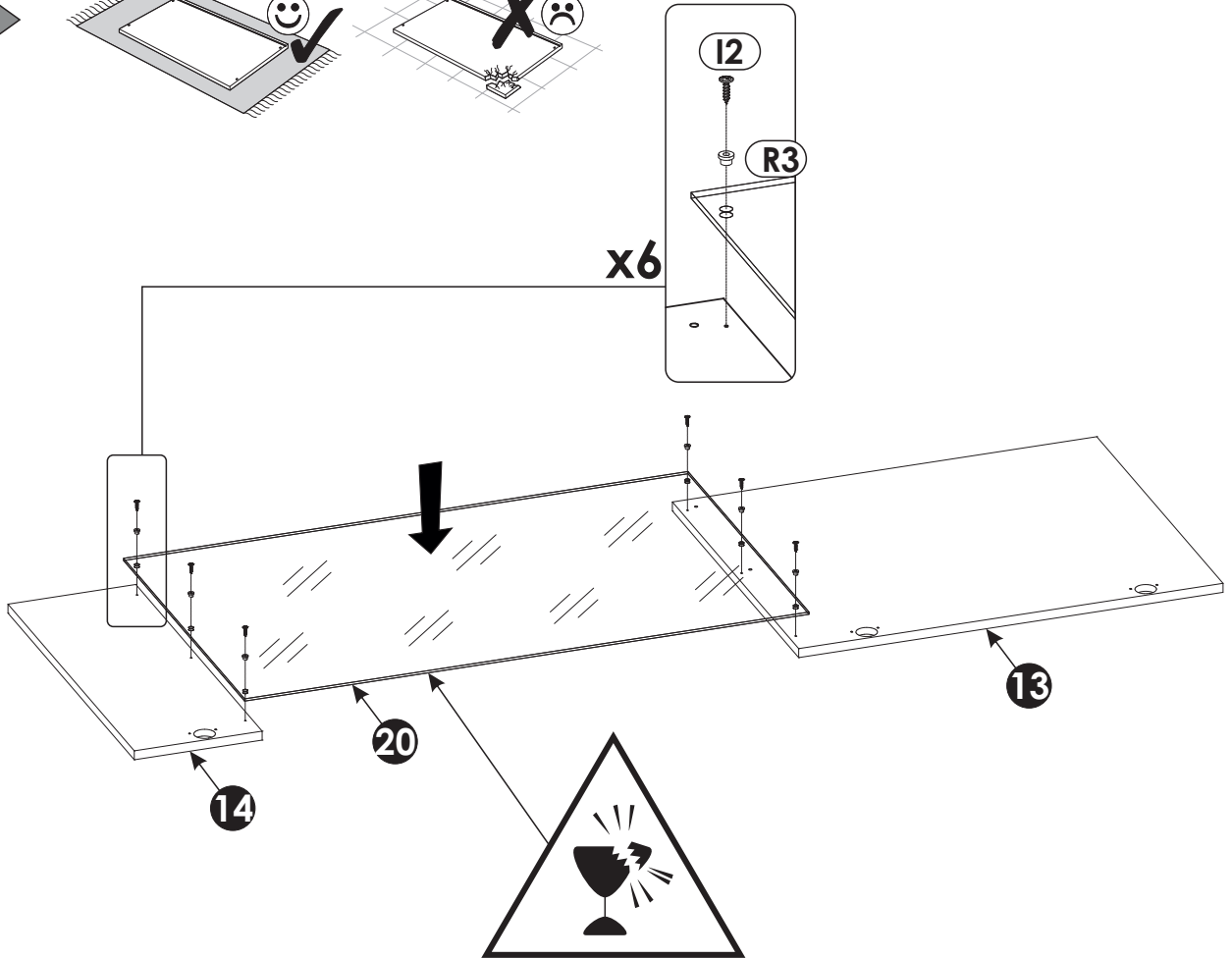
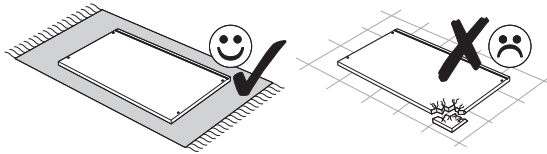




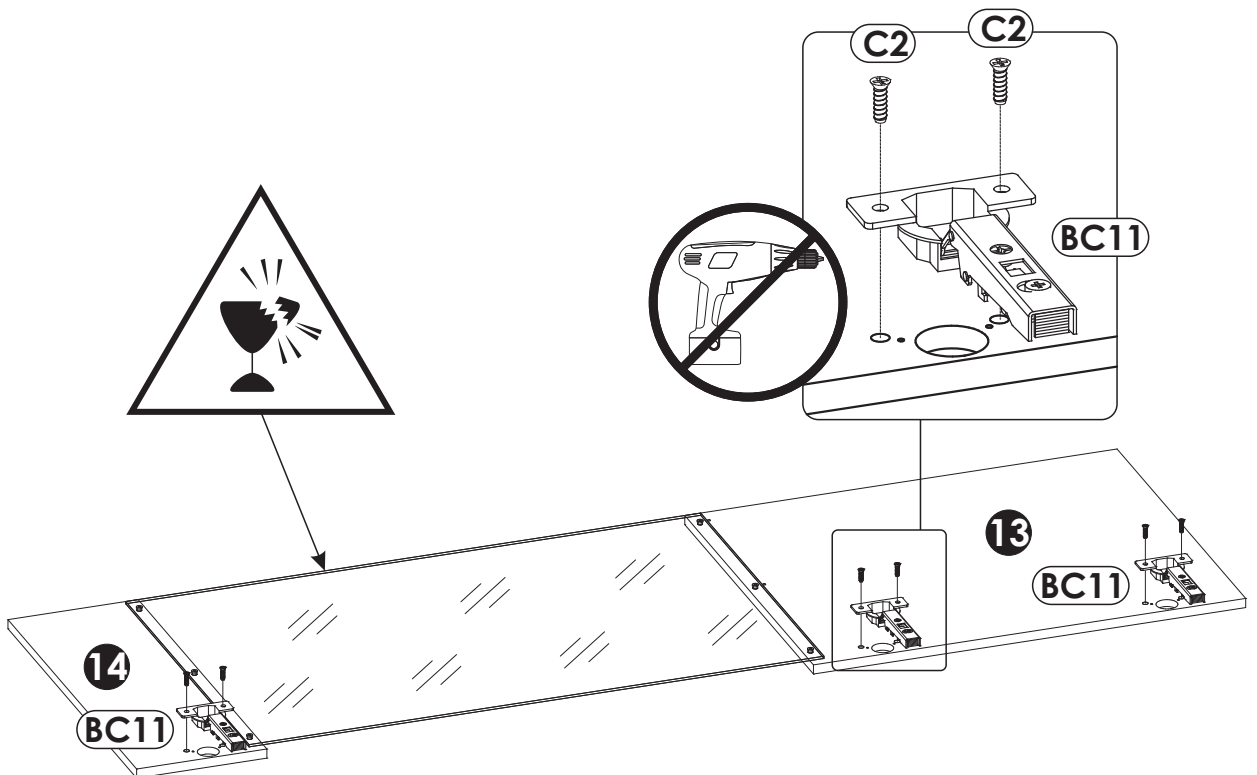
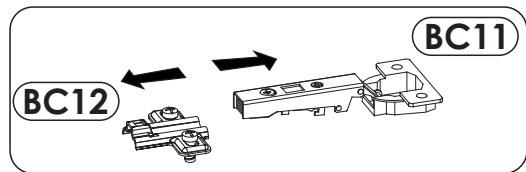
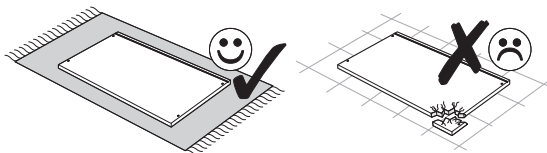




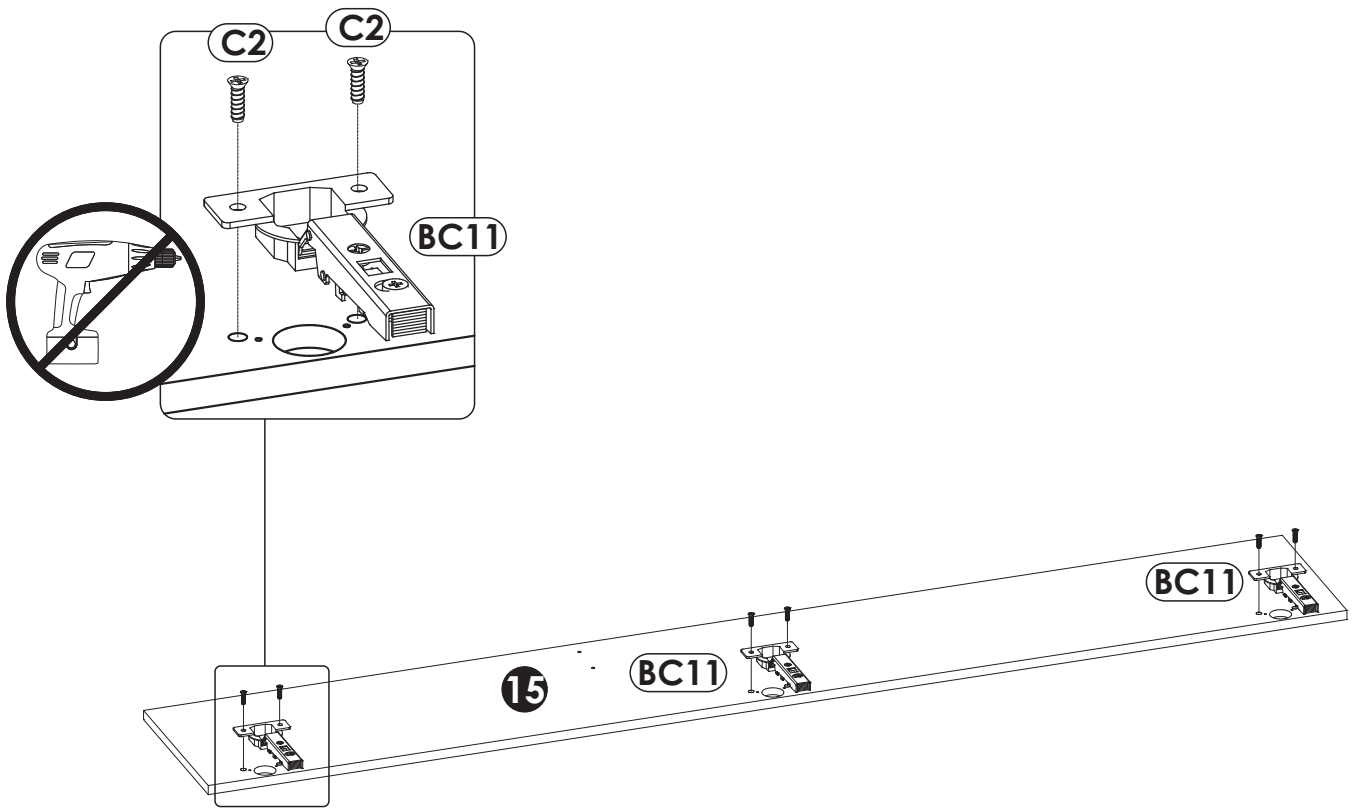
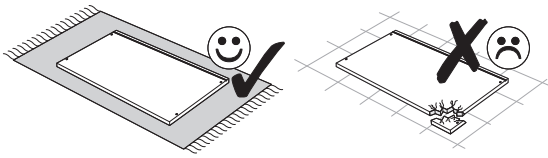
36▶

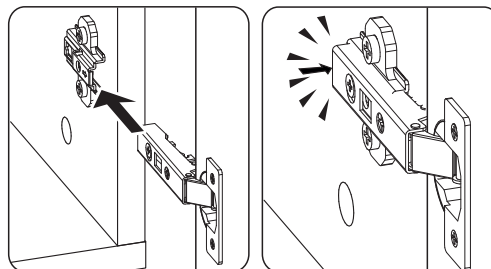
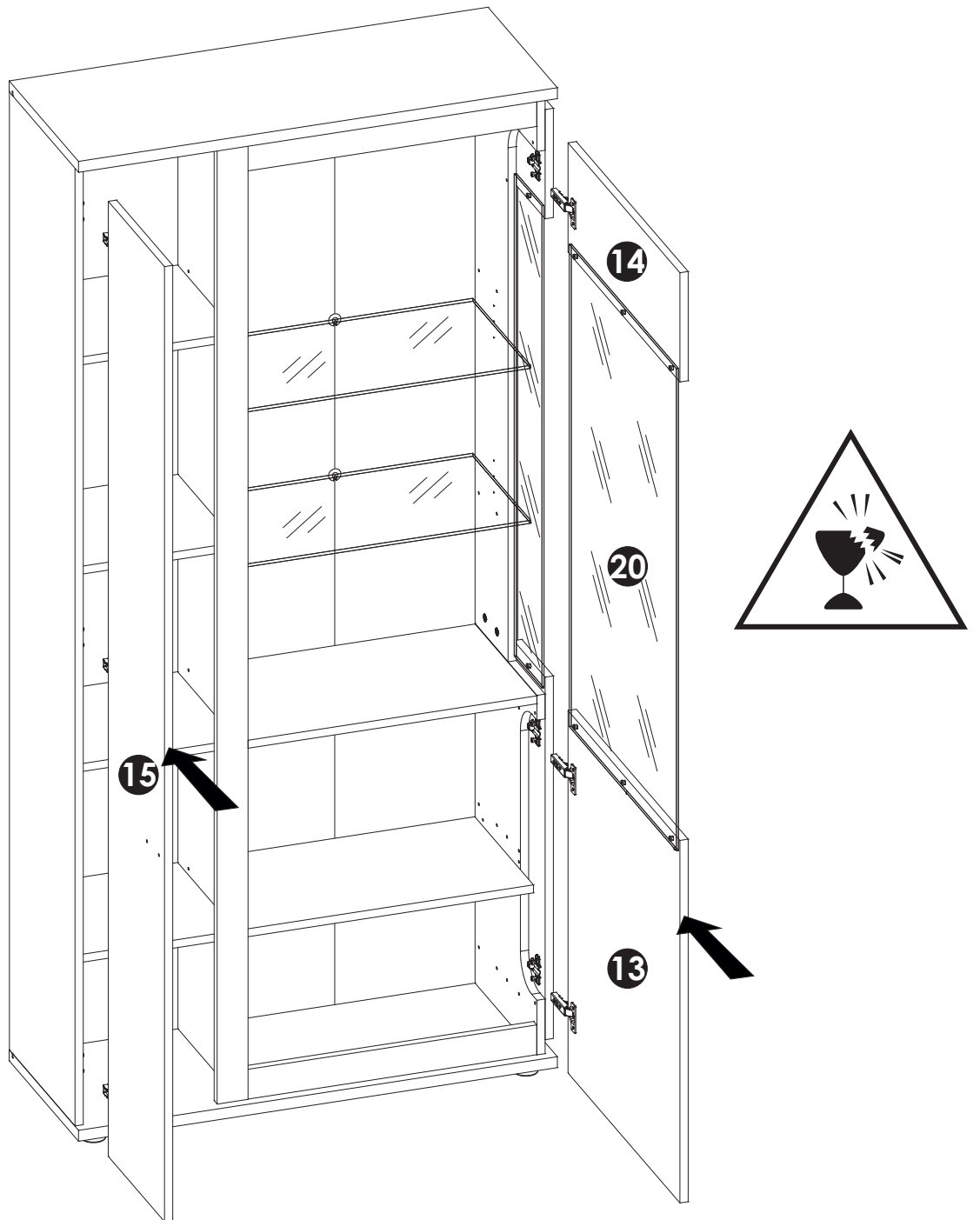


37▶

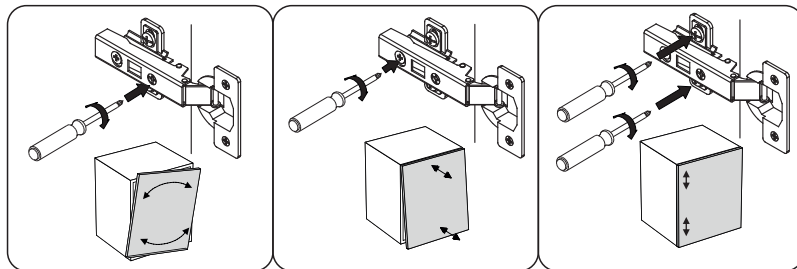
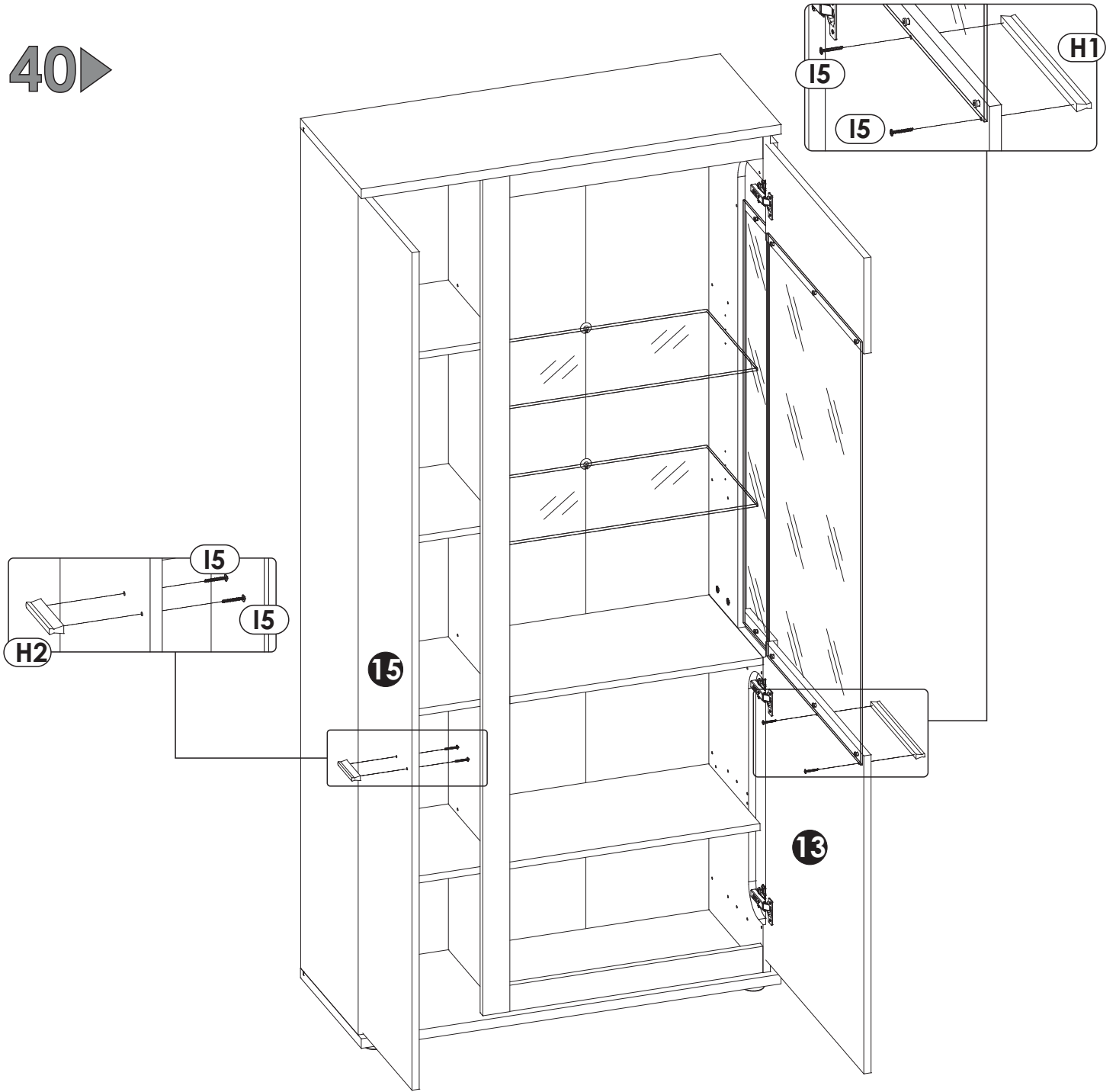


38 ▶





40 ▶



41 ▶

