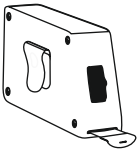
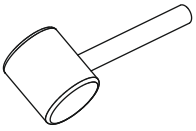
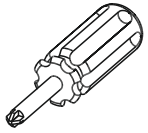
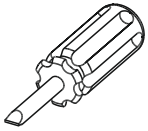
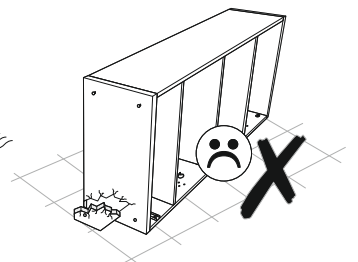
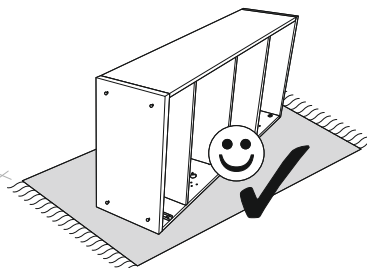
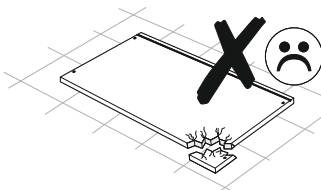
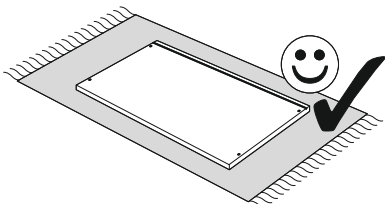
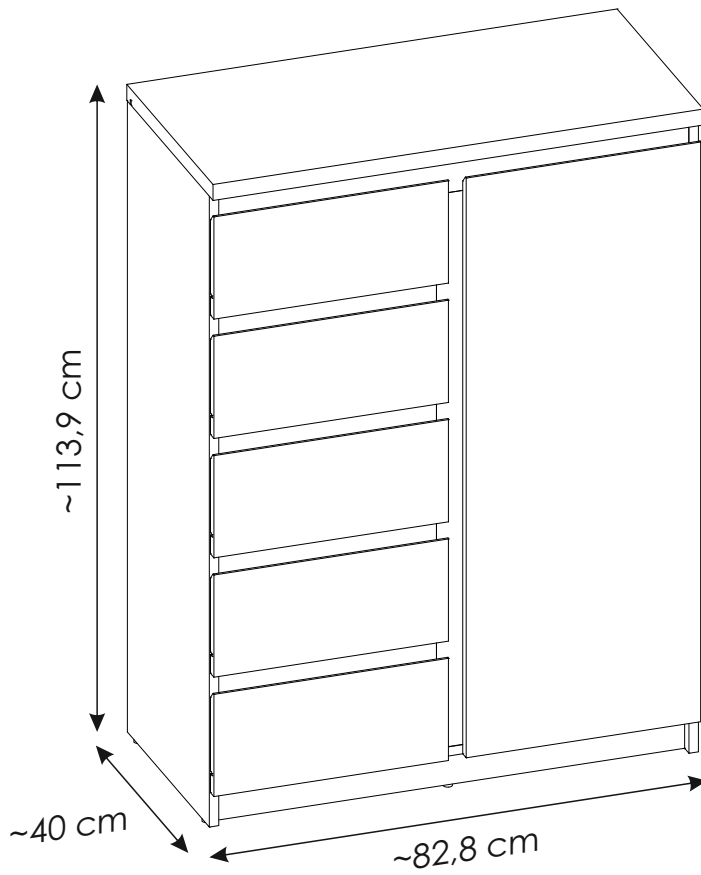


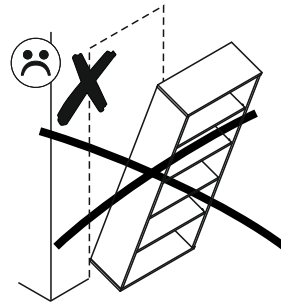
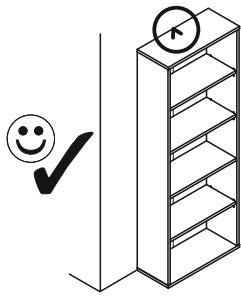


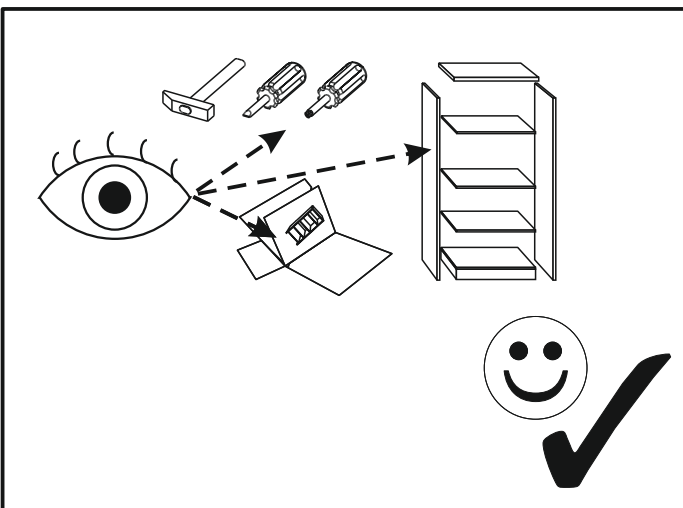
100 min

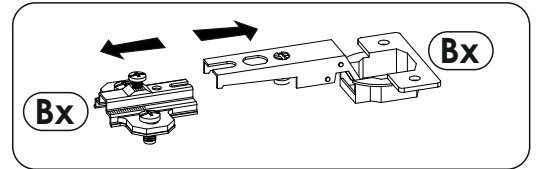
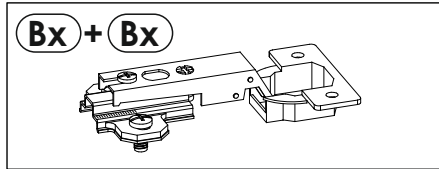
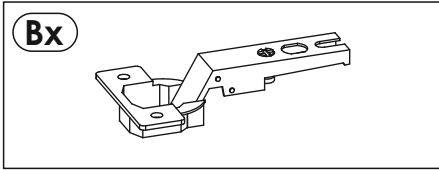
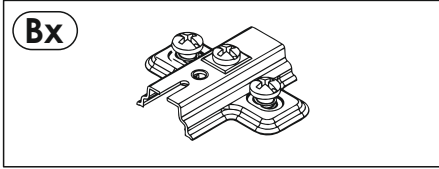


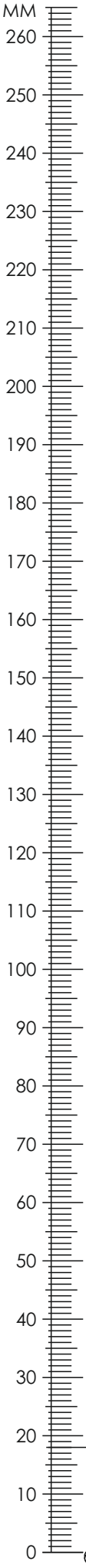
Ø8



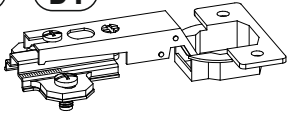



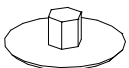

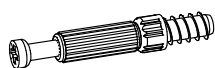
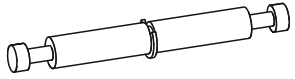
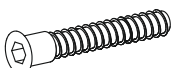

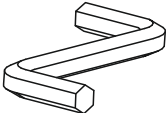
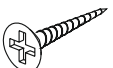
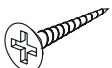
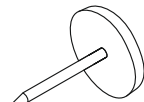
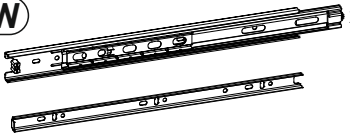
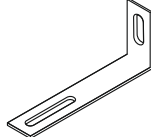
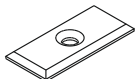
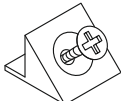
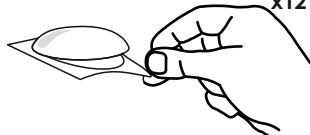
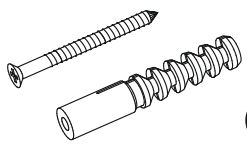
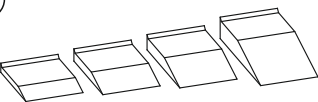


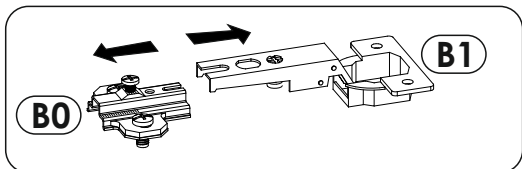


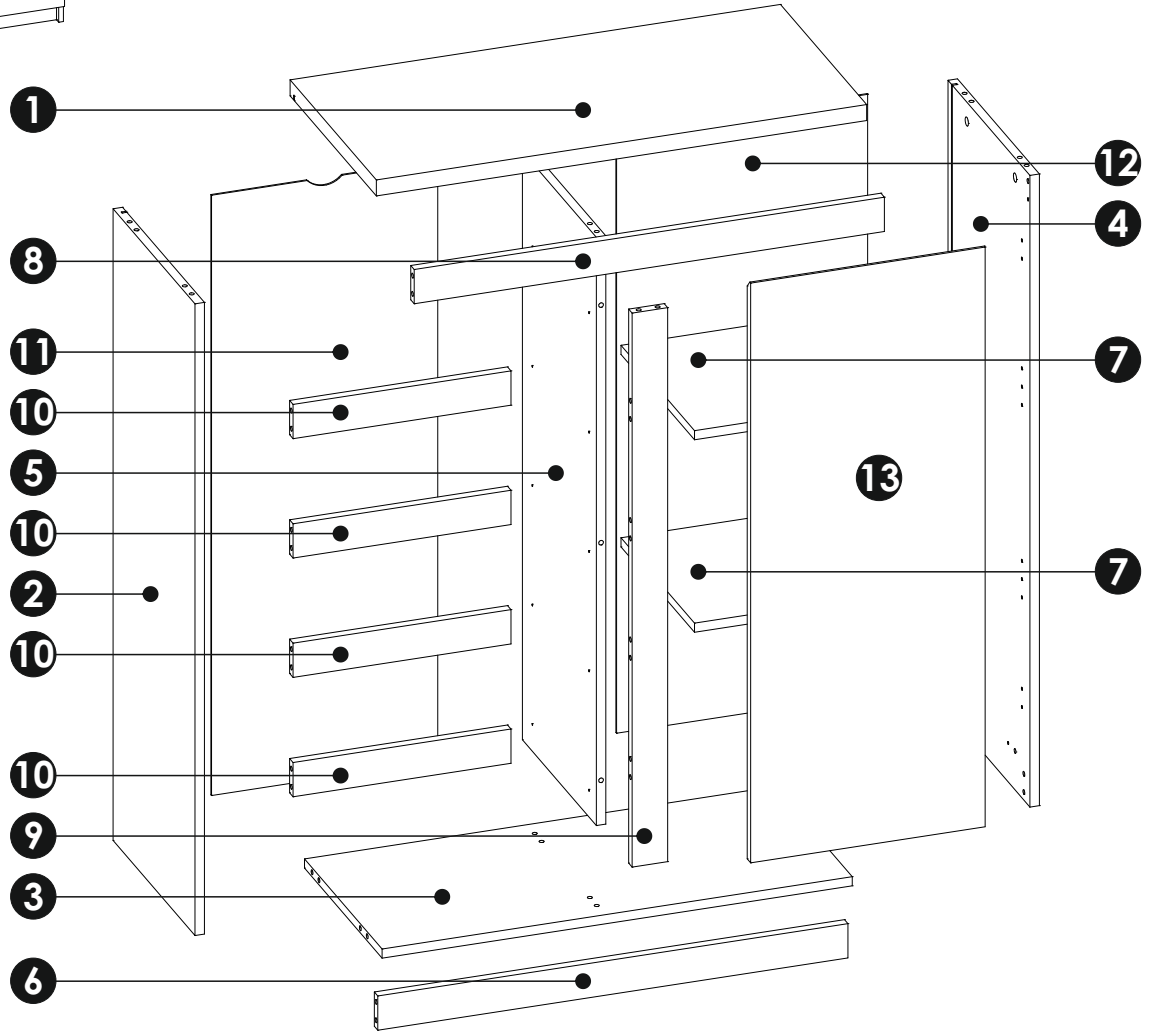
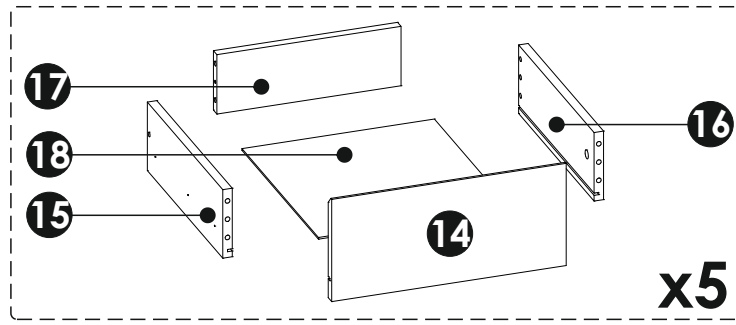
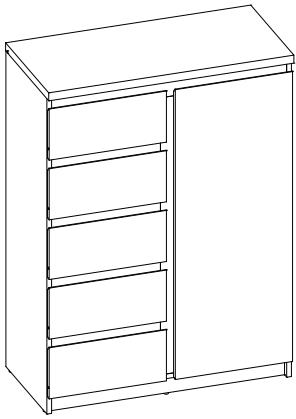






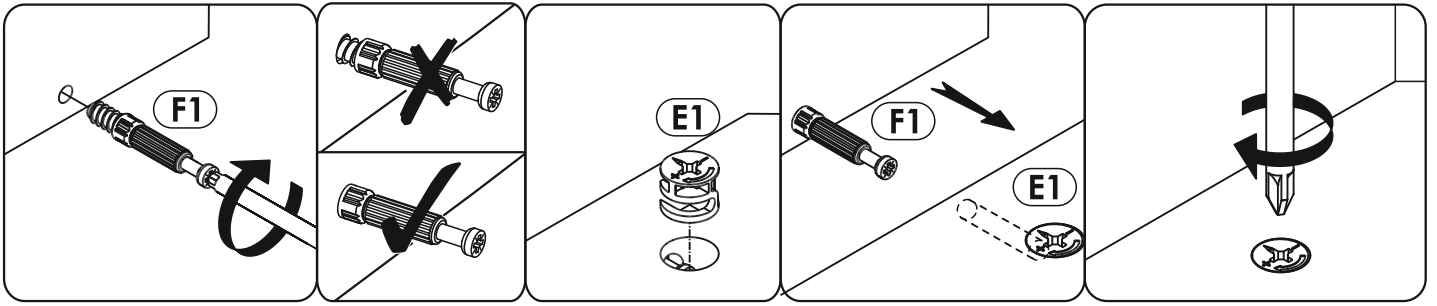
A1 8 x 35 mm x62 	A2 8 x 45 mm x5 	B0 + B1 x2 
C1 4 x 13 mm x4 	C2 5 x 13 mm x20 	D2 x8 
E0 Ø16 x17 	E1 15 x 12 mm x39 	F1 6 x 34 mm x29 
F3 7 x 58 mm x5 	G1 7 x 50 mm x12 	I2 4 x 16 mm x2 
M x1 	N1 3 X 16 mm x30 	N2 3,5 X 16 mm x30 
O2 x5 	PW x10 	Q9 x2 
R1 x7 	R4 x13 	R8 x12 
S13 x2  Ø8	Z x1 	



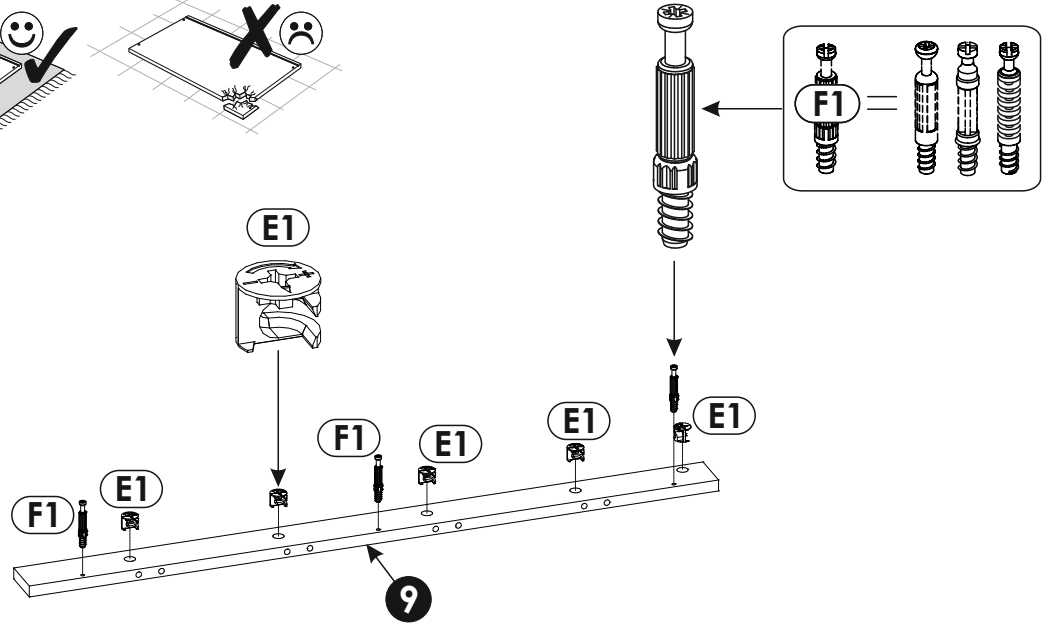
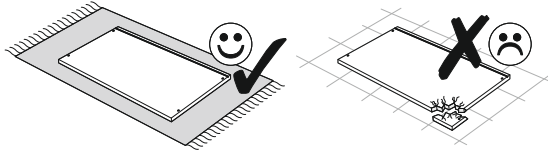


1	828	400	28	x1	1/2
2	1106	380	16	x1	2/2
3	794	360	16	x1	1/2
4	1106	380	16	x1	2/2
5	1030	343	16	x1	2/2
6	794	60	16	x1	1/2
7	410	341	16	x2	1/2
8	794	60	16	x1	1/2
9	970	60	16	x1	2/2

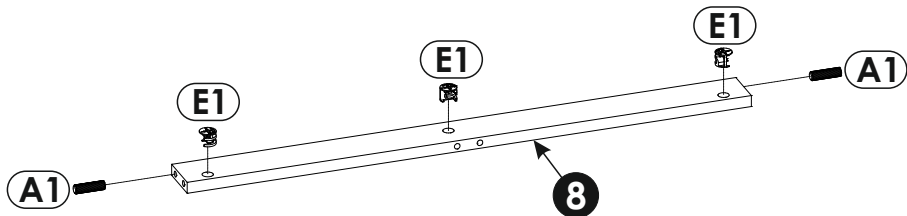
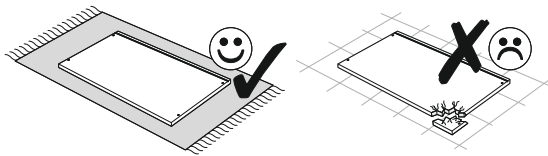
10	368	60	16	x4	1/2
11	1051	382	3	x1	2/2
12	1051	424	3	x1	2/2
13	1015	396	16	x1	2/2
14	396	179	16	x5	1/2
15	350	120	16	x5	1/2
16	350	120	16	x5	1/2
17	311	104	16	x5	1/2
18	325	355	3	x5	1/2

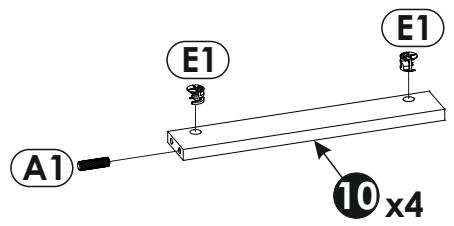
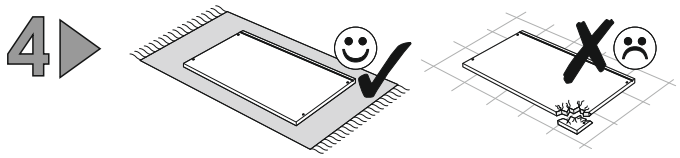
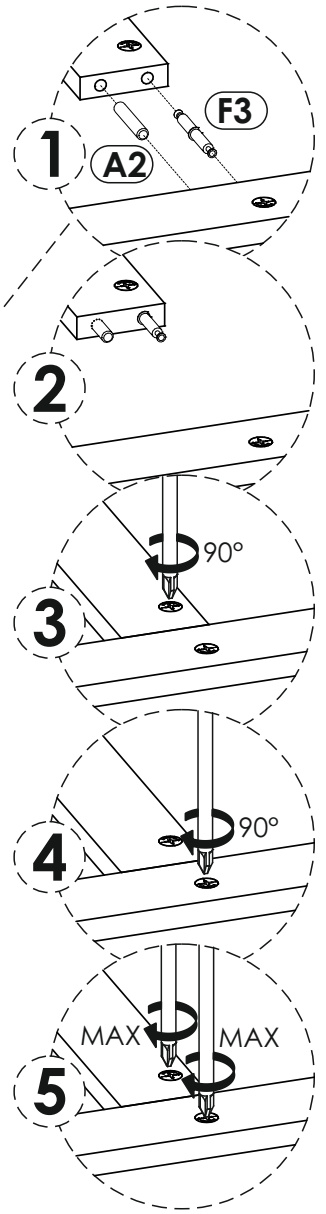
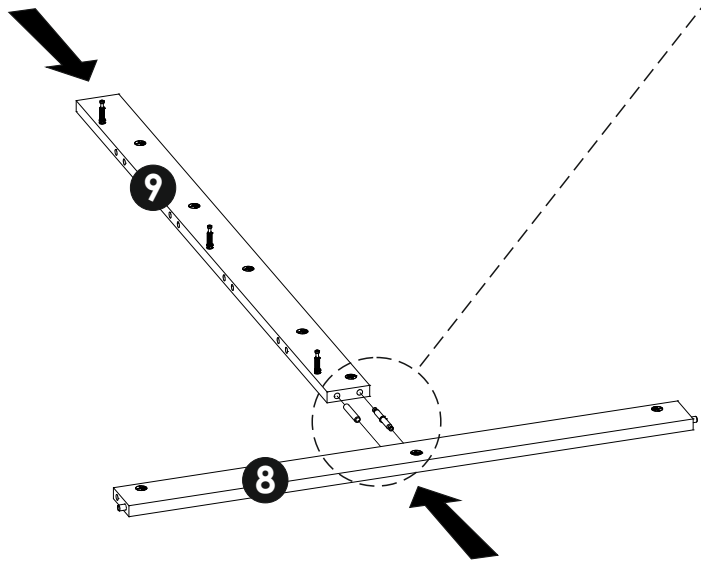
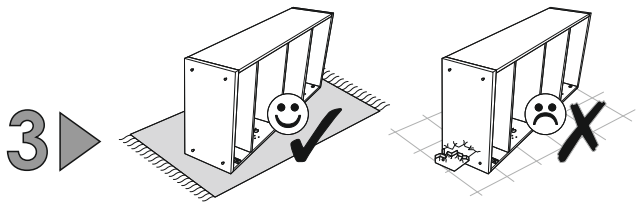


1 ▶

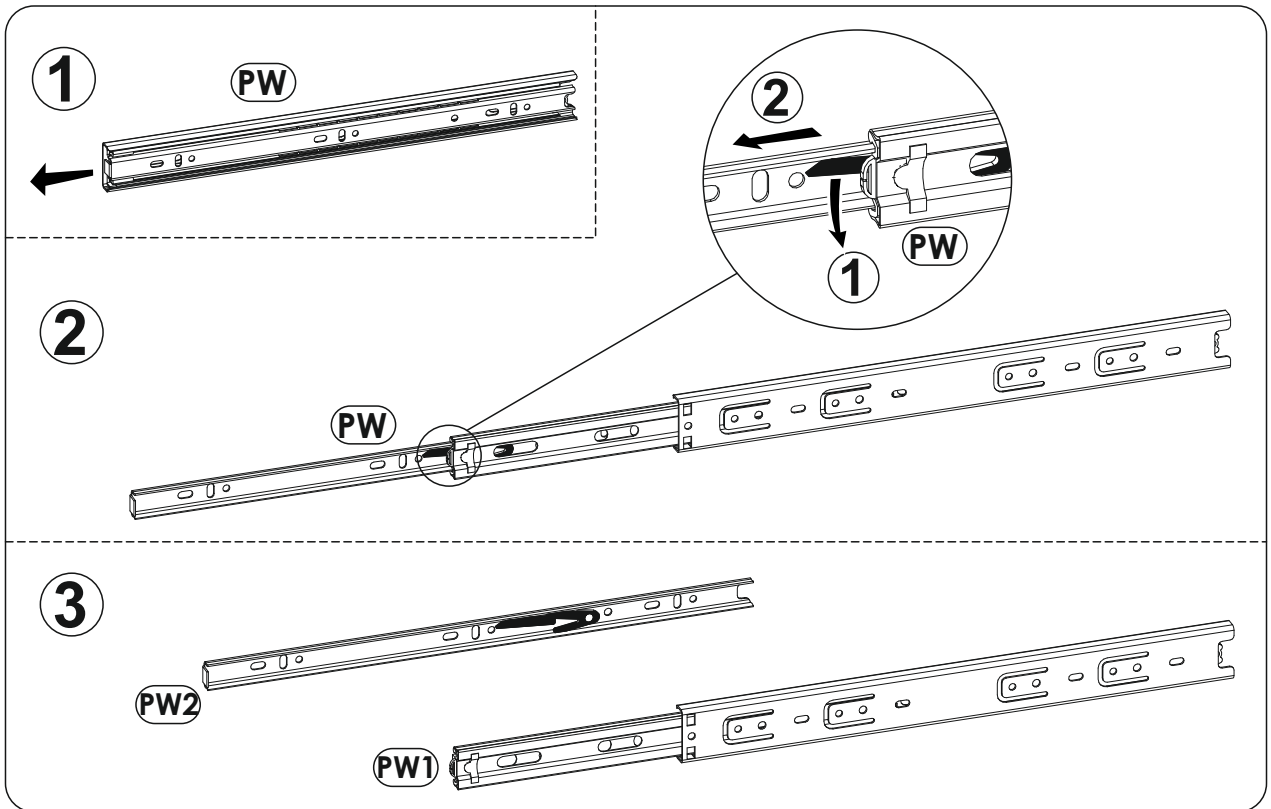
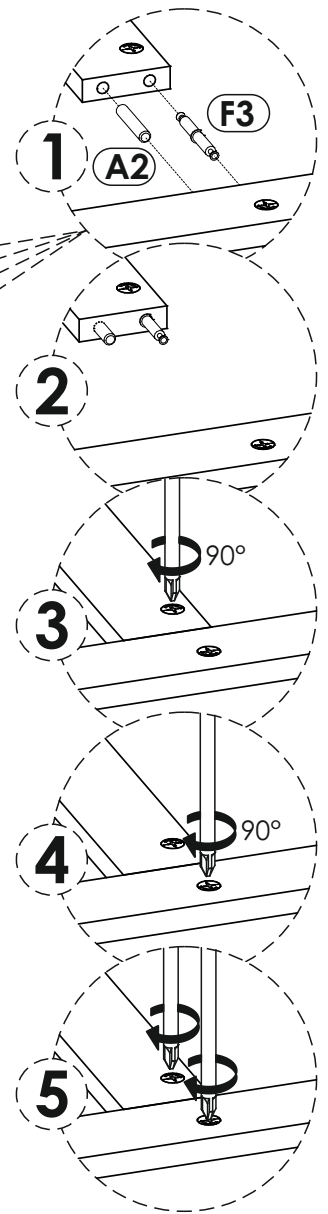
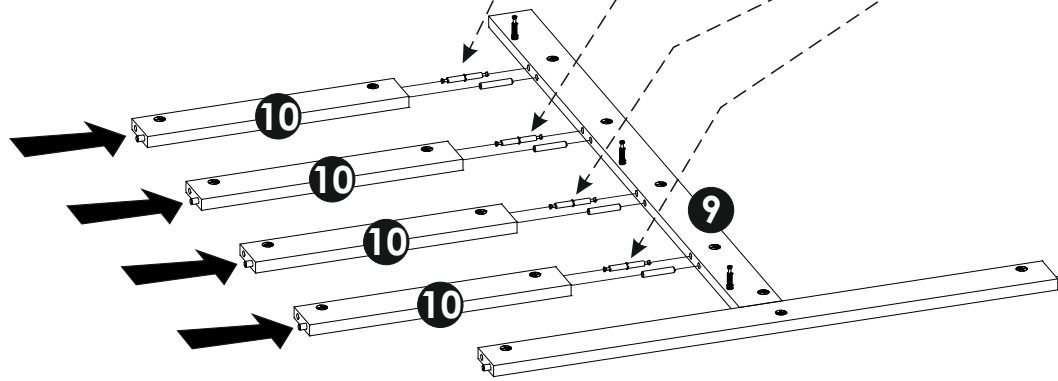
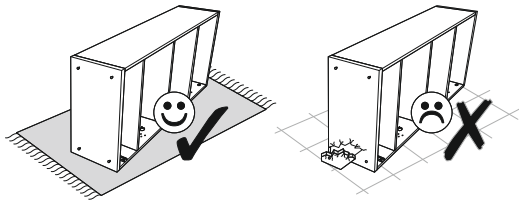


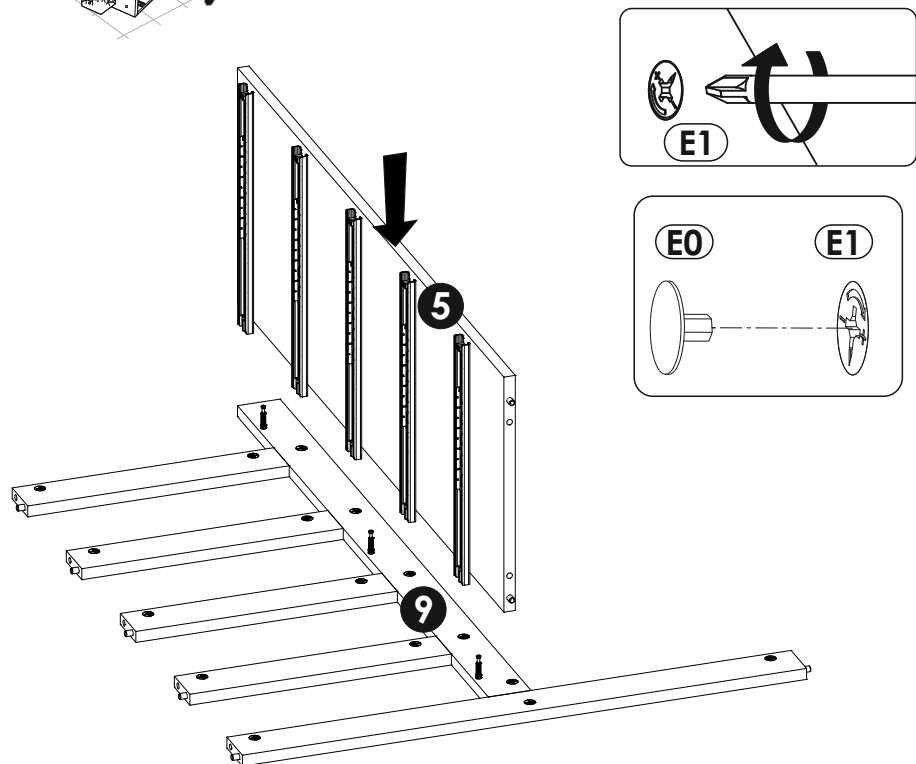
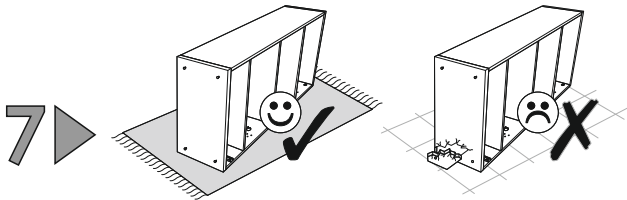
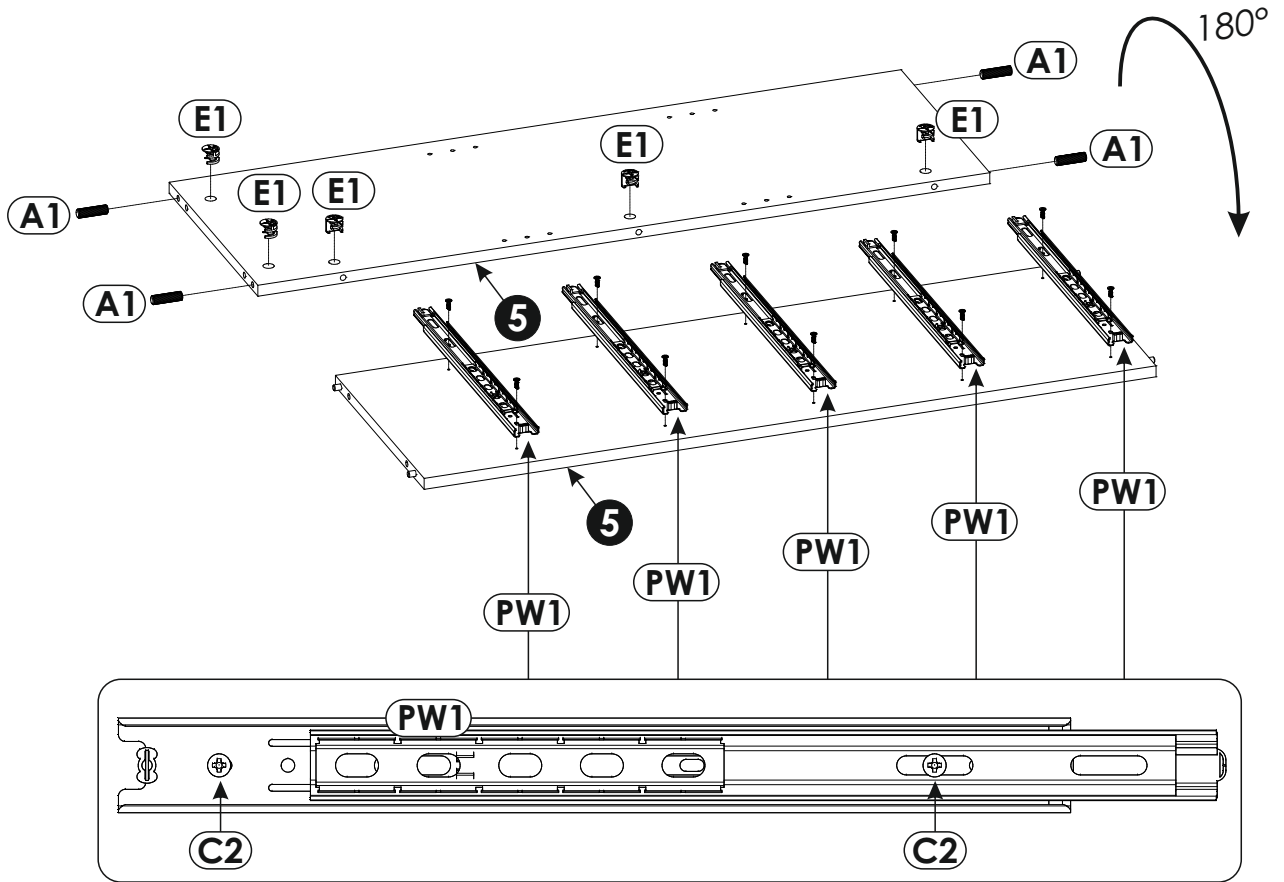
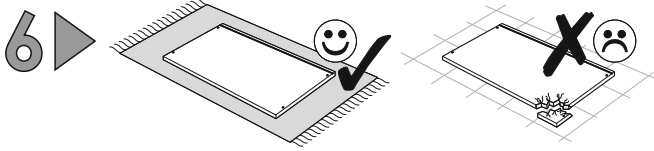
2 ▶



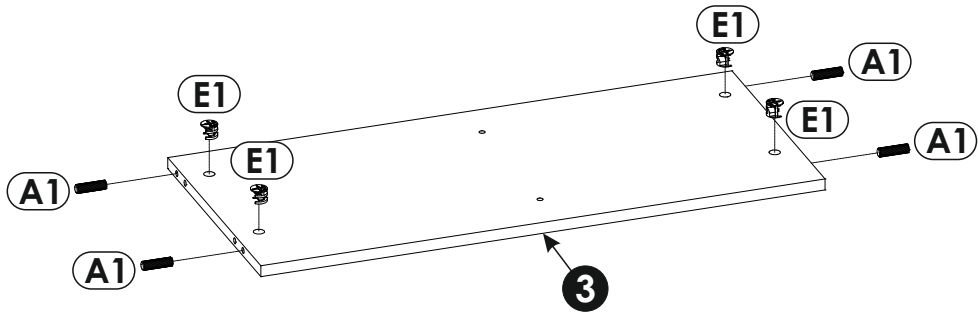
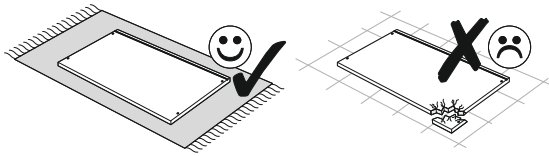


5

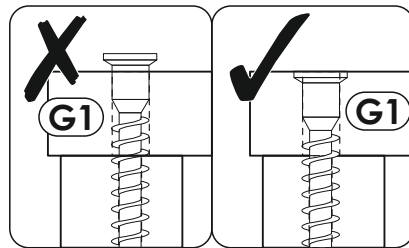
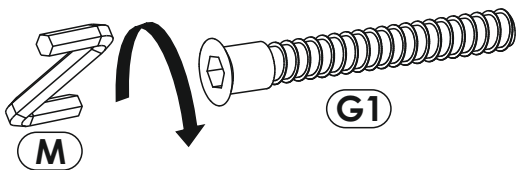
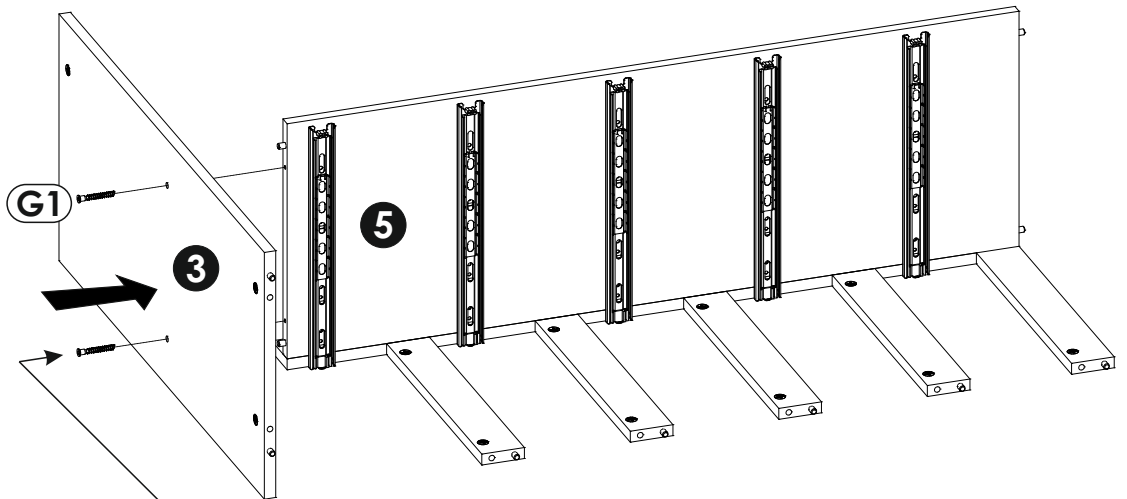
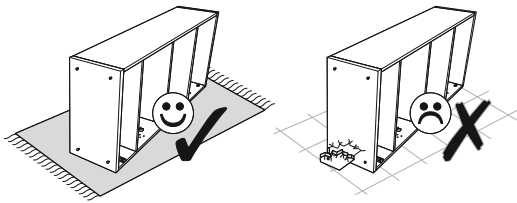




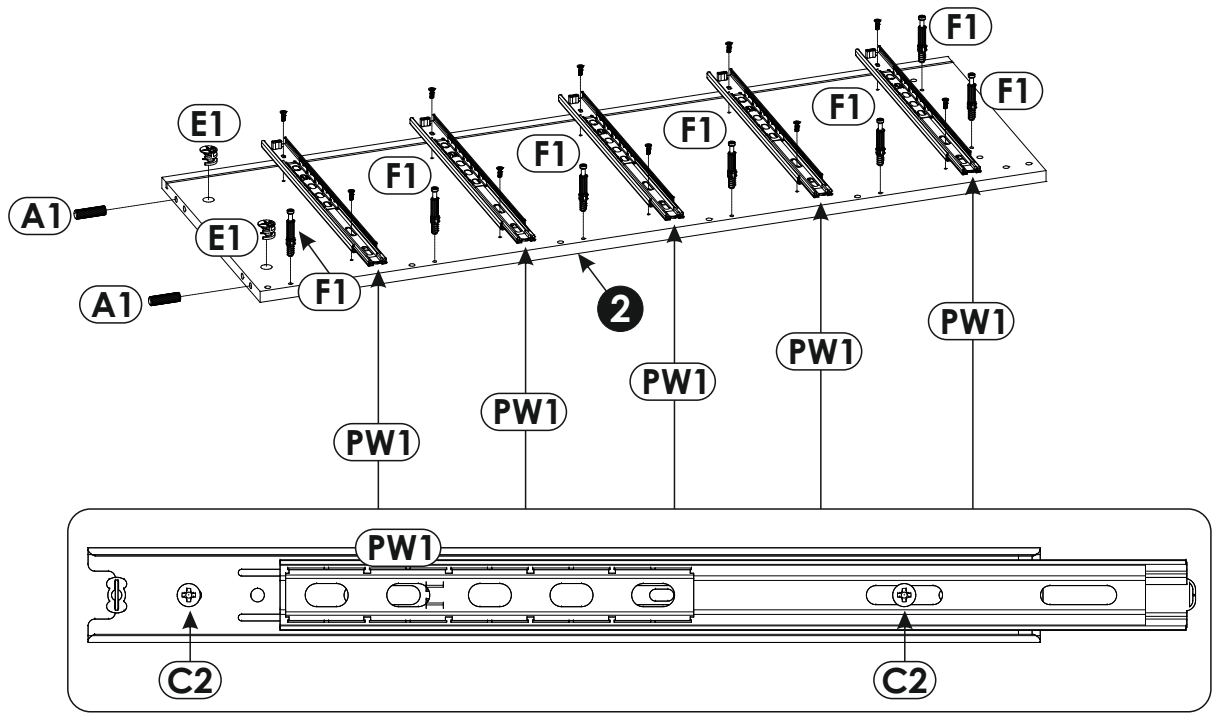
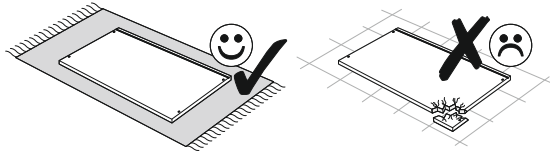
8 ▶



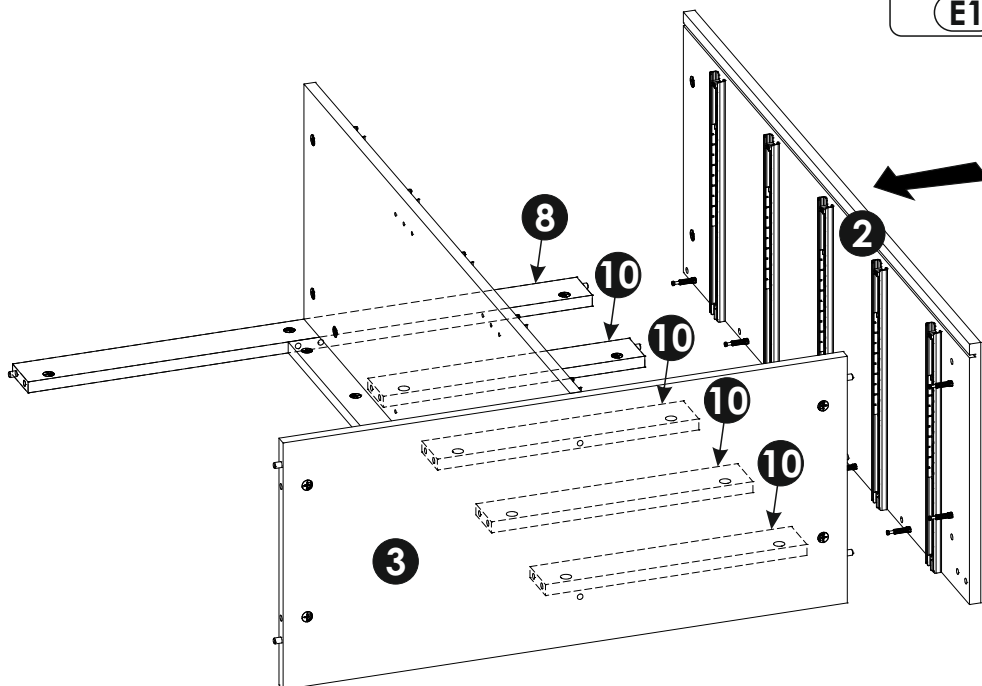
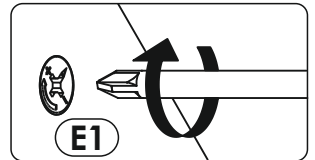
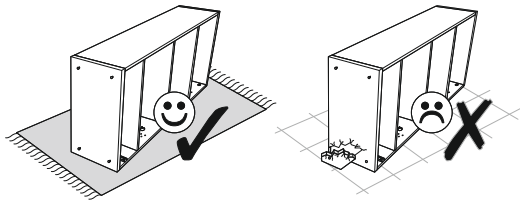
9 ▶



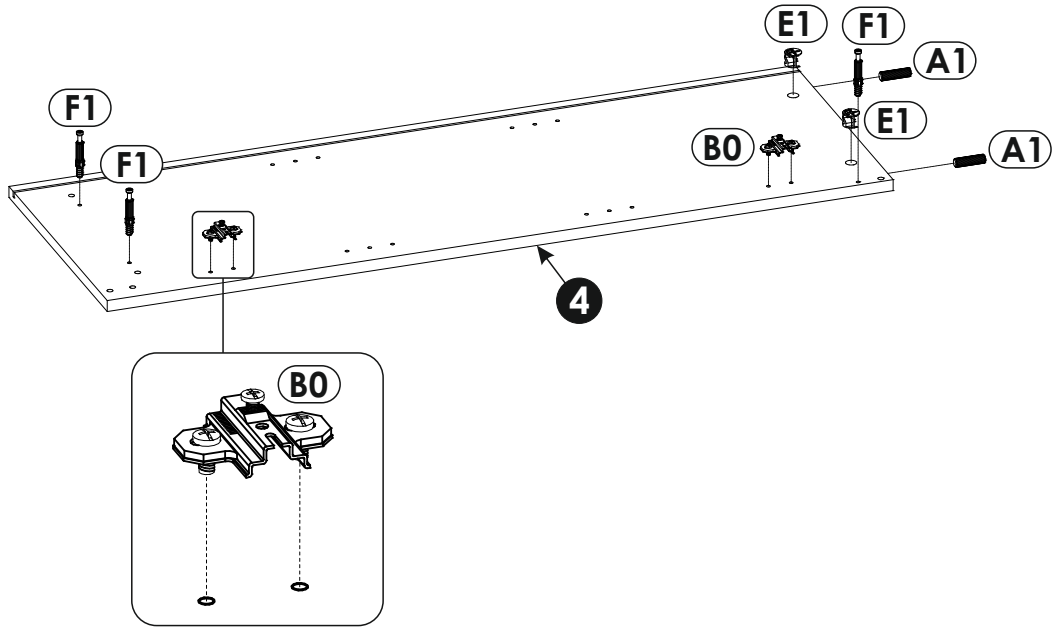
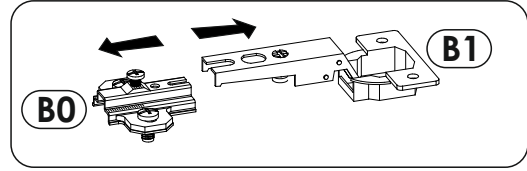
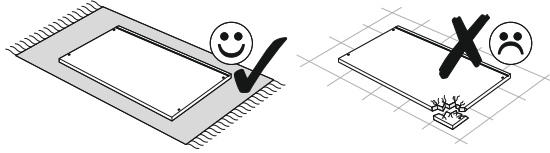
10 ▶



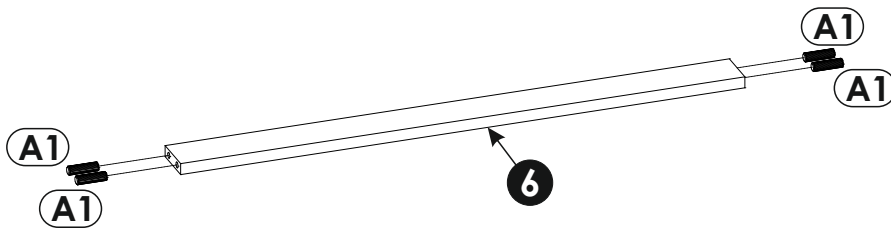
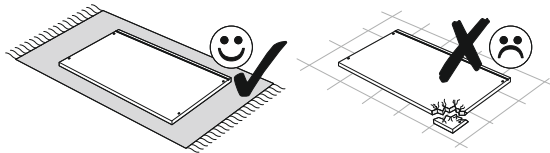
11 ▶



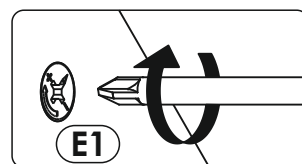
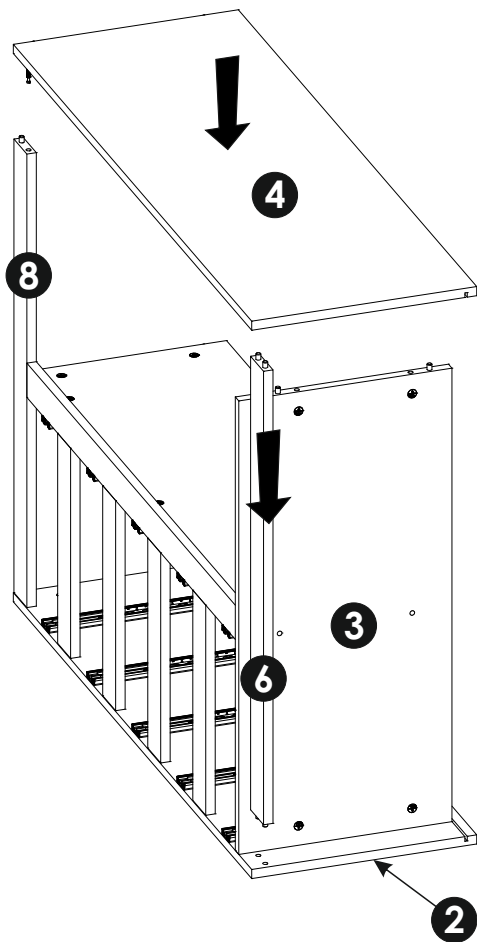
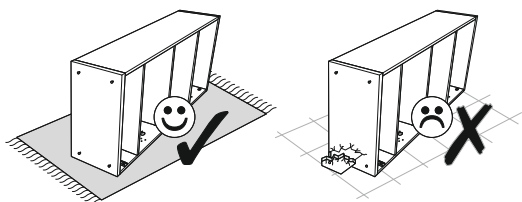
12▶



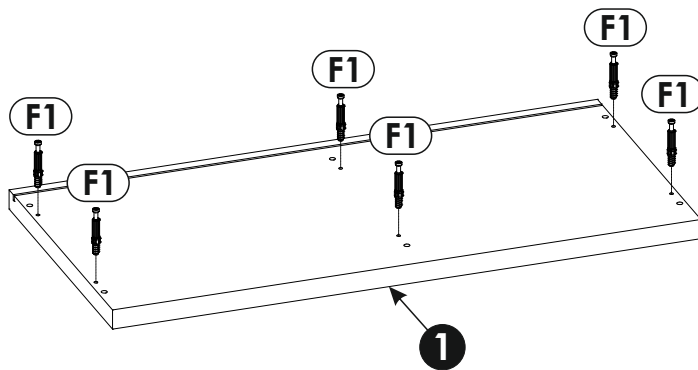
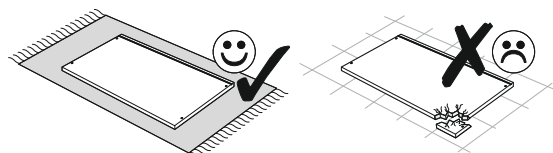
13▶



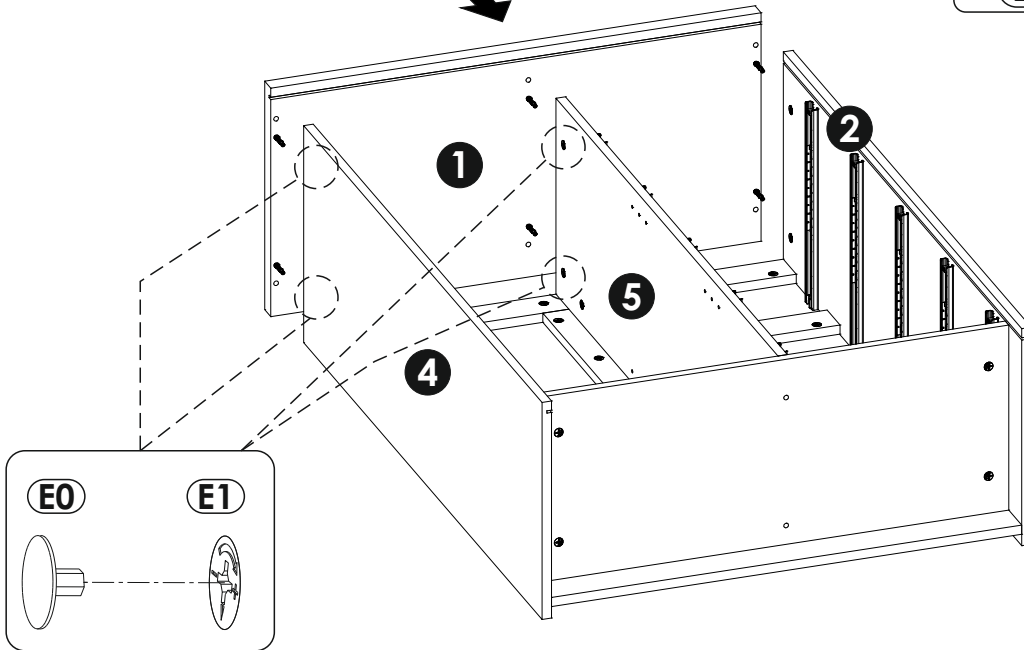
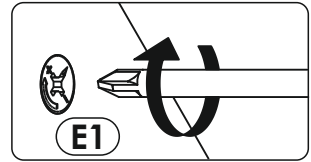
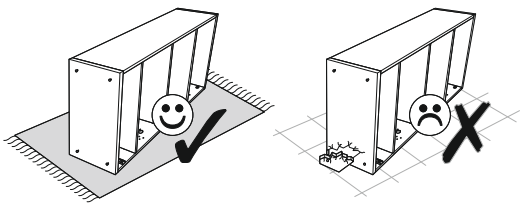
14▶



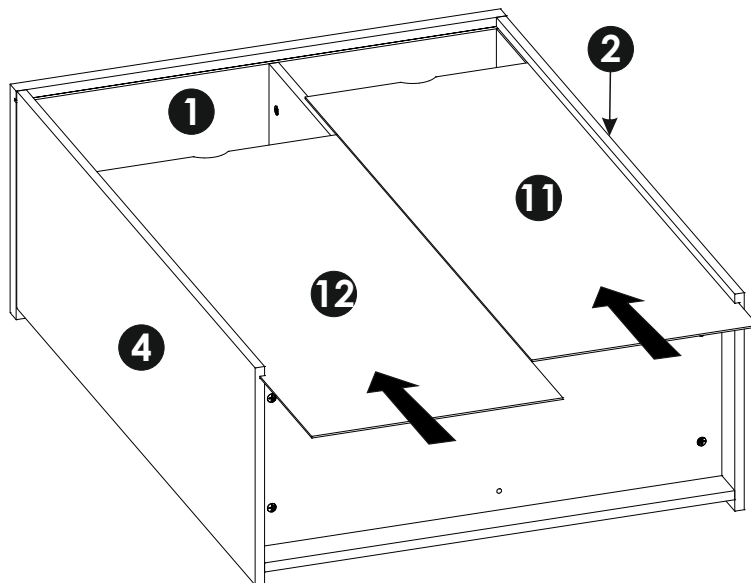
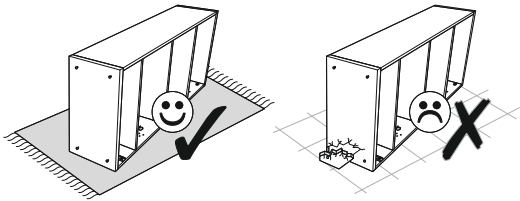
15▶



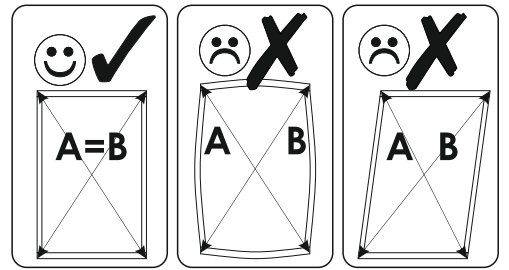
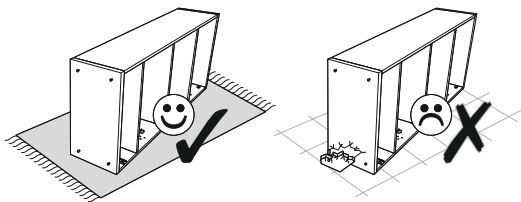
16 ▶



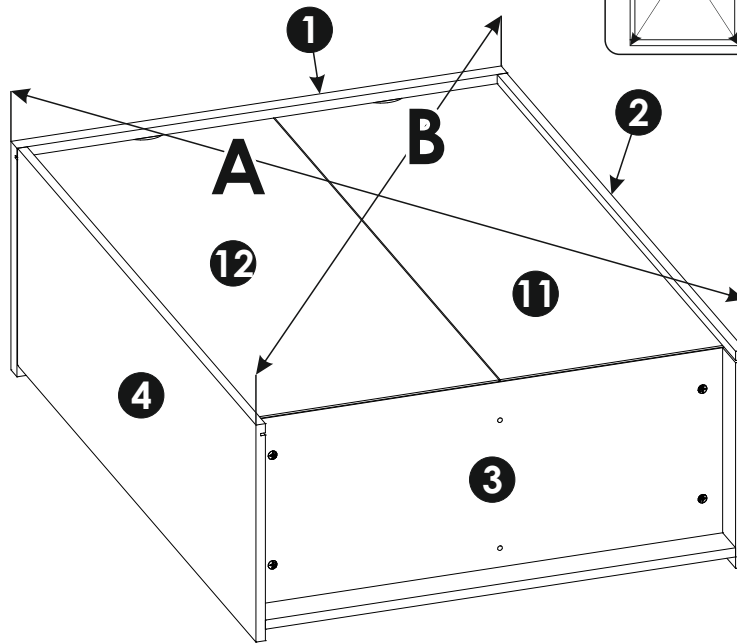
17 ▶



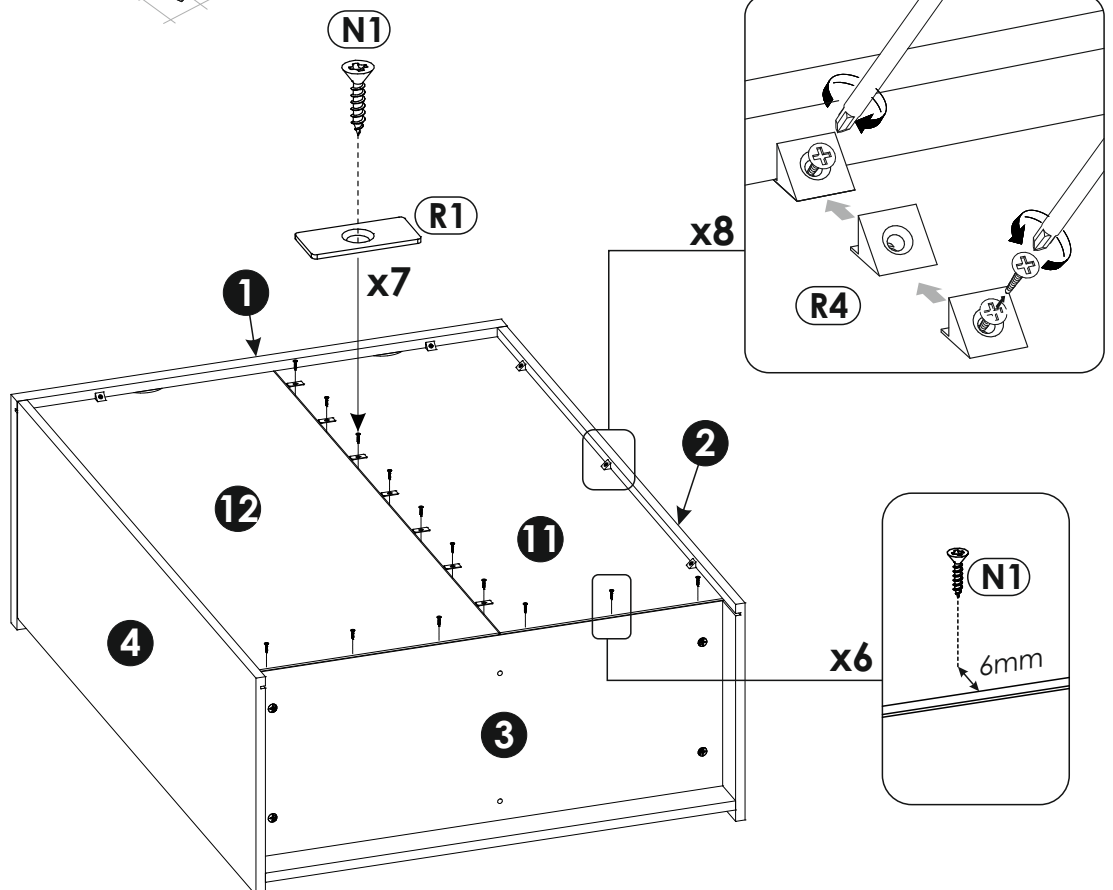
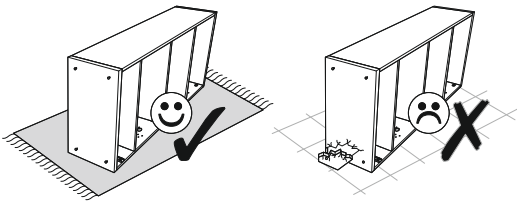
18 ▶



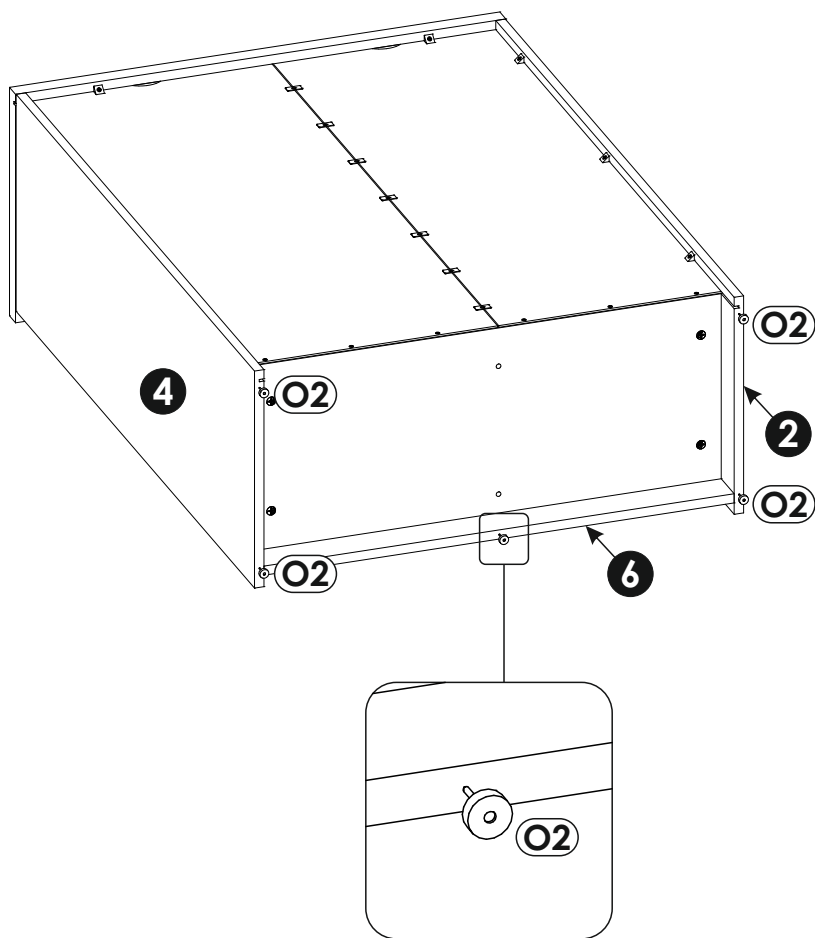
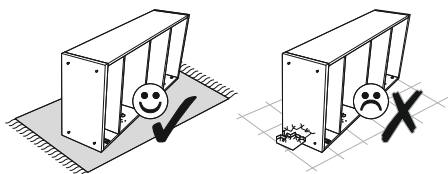
A=B

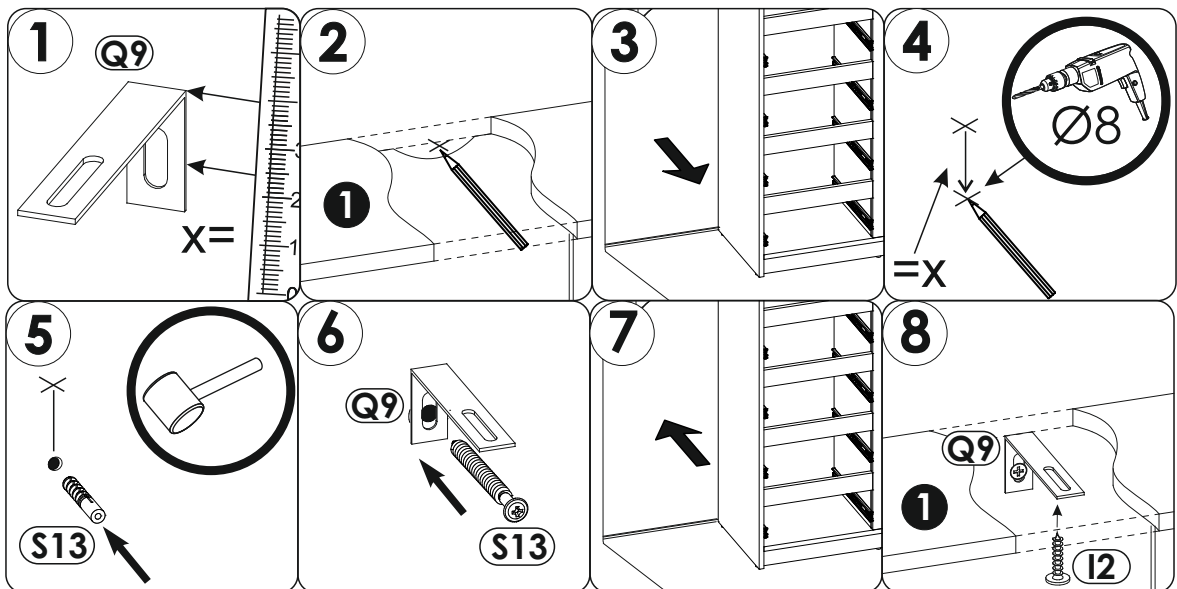
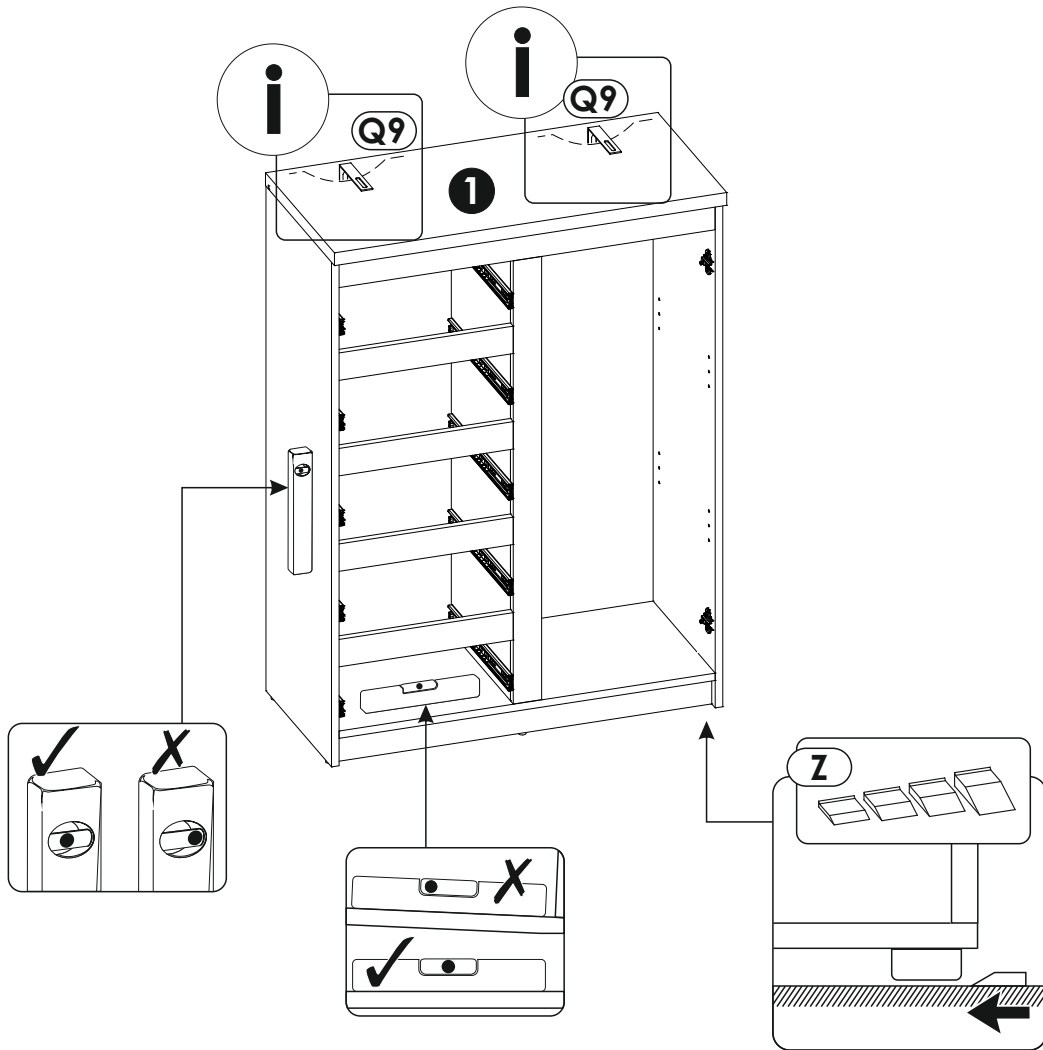
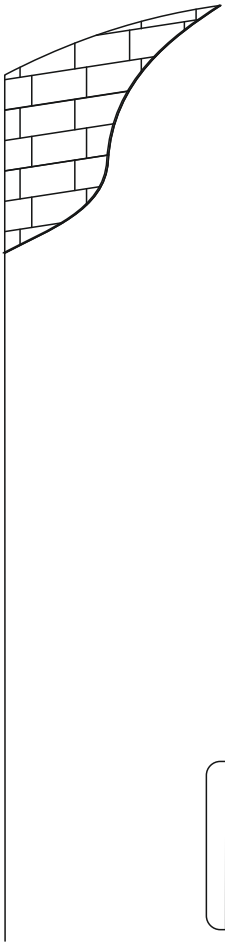
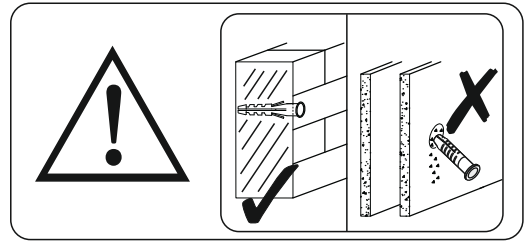


19 ▶

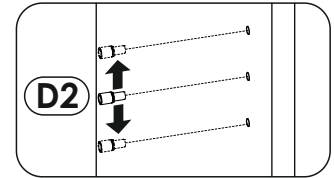
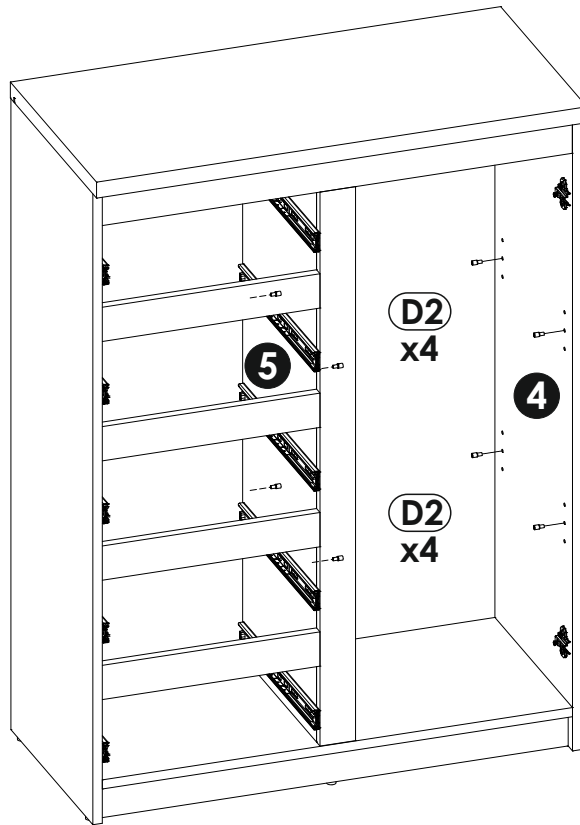


20 ▶

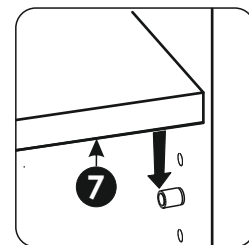
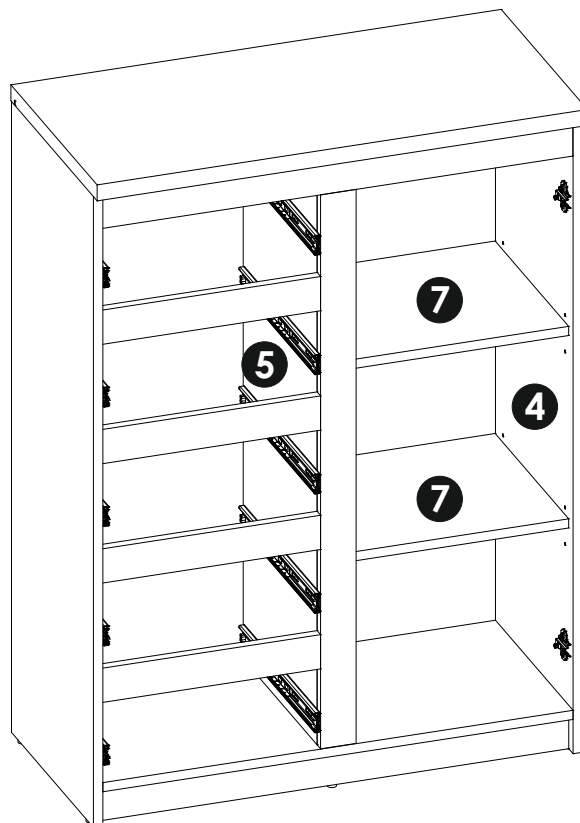




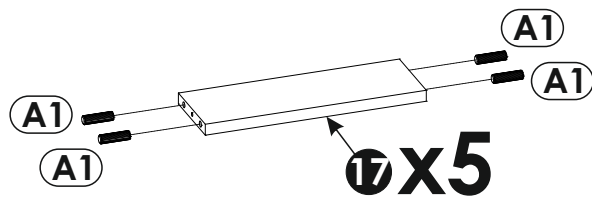
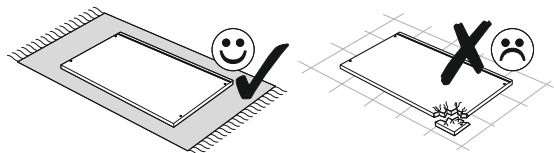
22▶



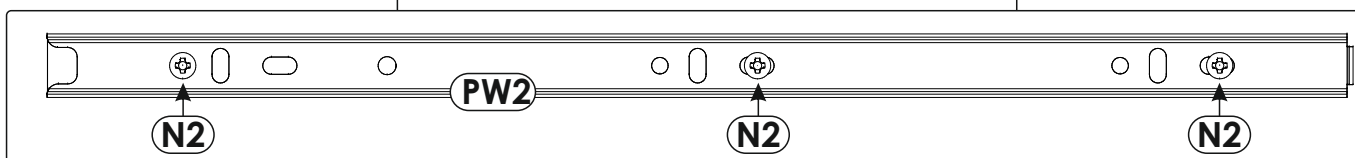
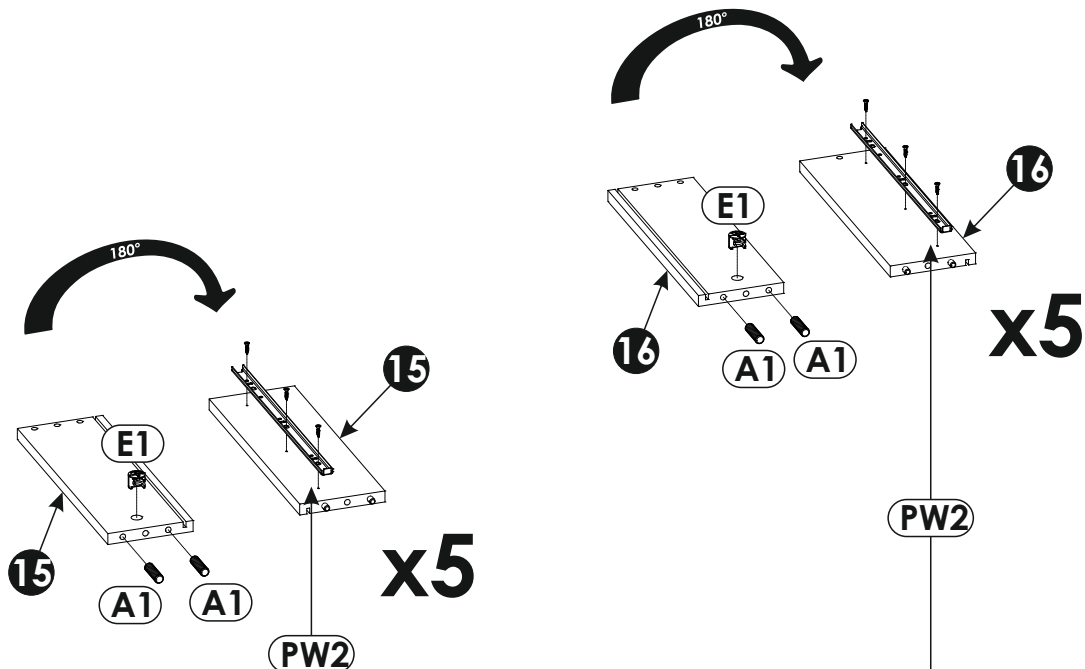
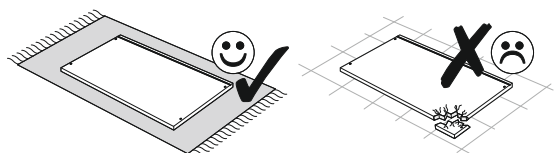
23▶



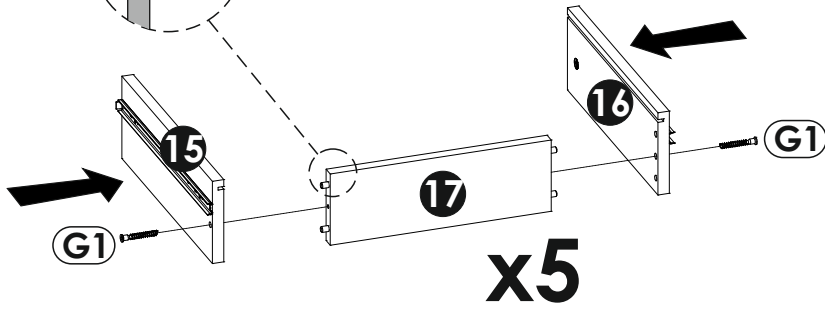
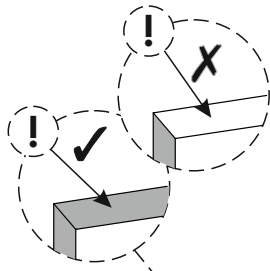
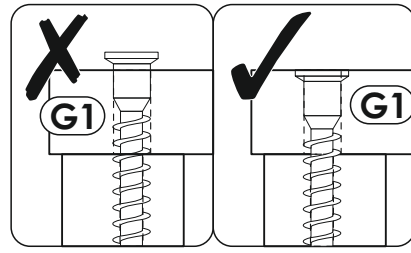
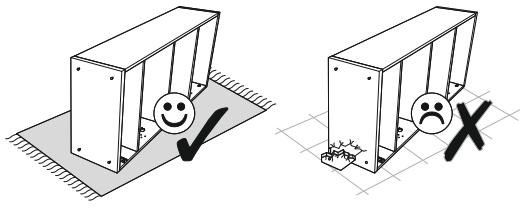
24▶



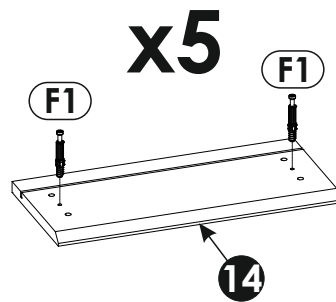
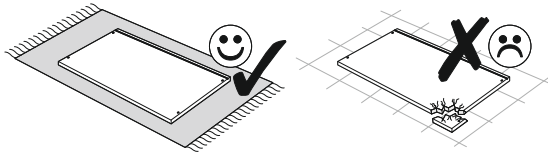
25▶



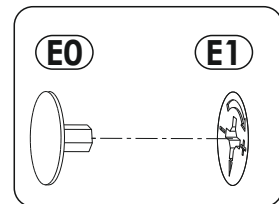
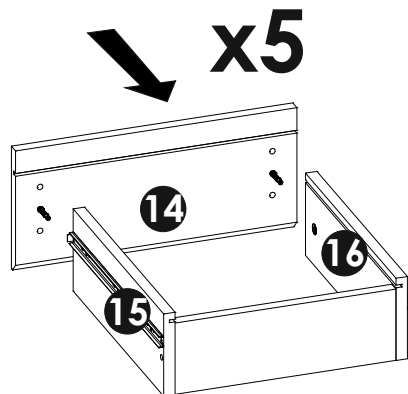
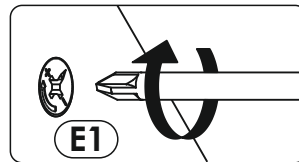
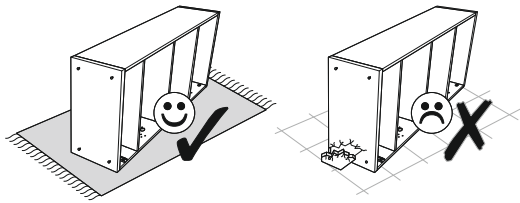
26 ▶



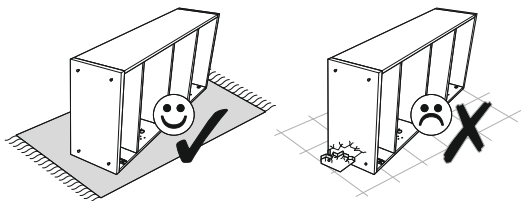
27 ▶



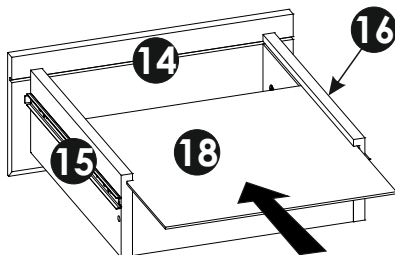
28 ▶



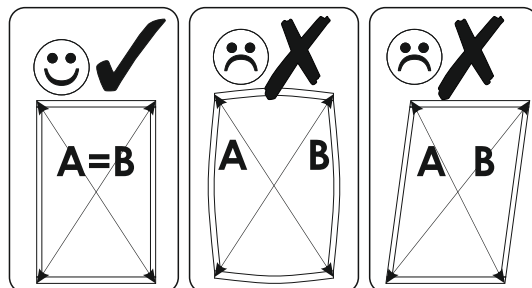
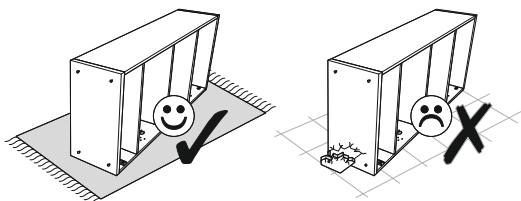
29 ▶



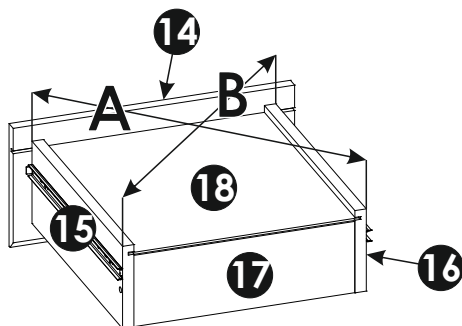
x5



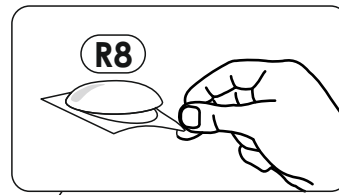
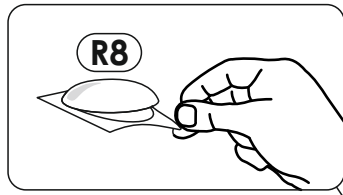
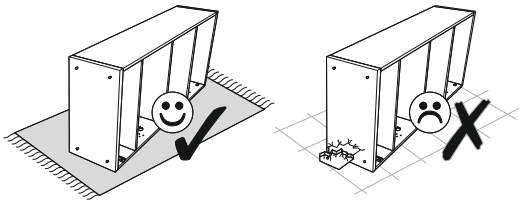
30 ▶



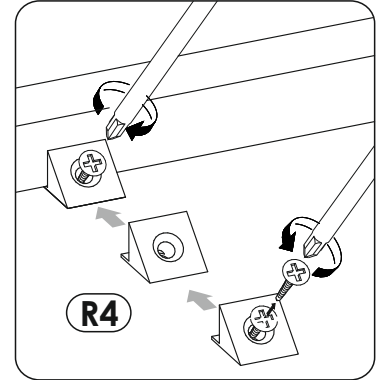
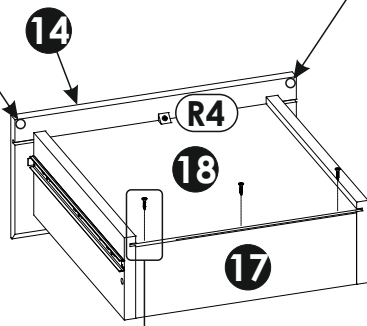
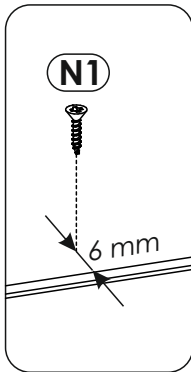
x5



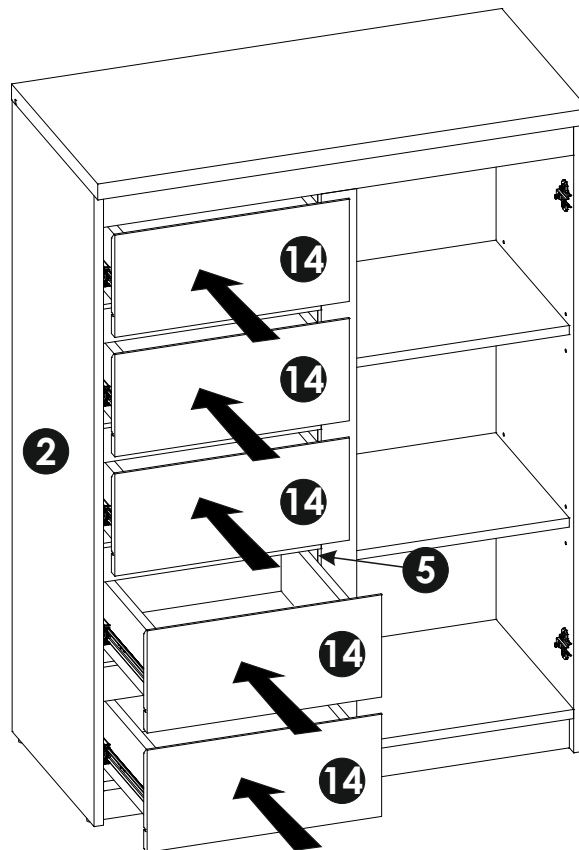
31▶

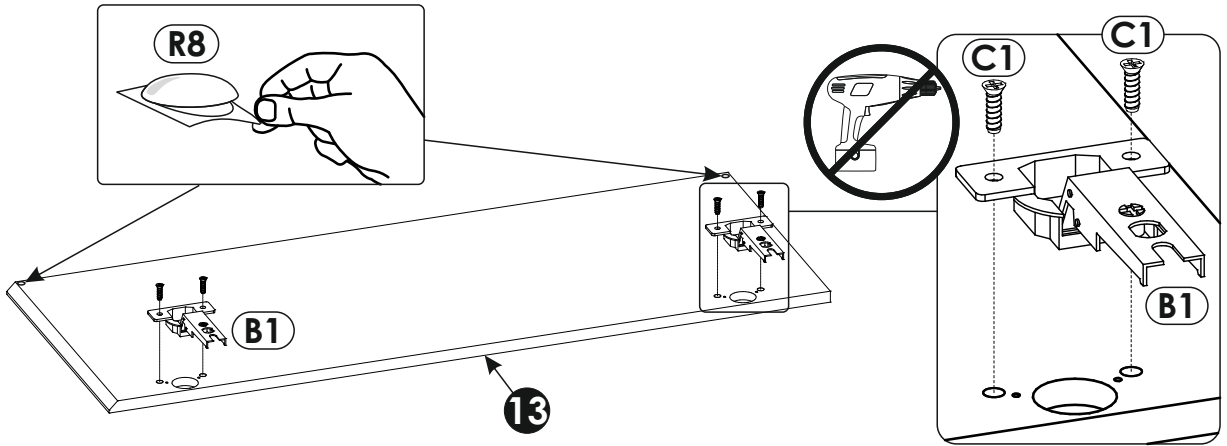
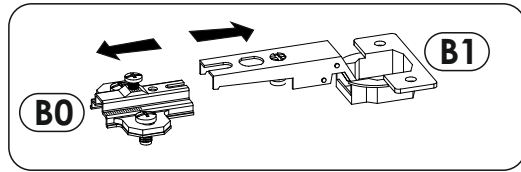
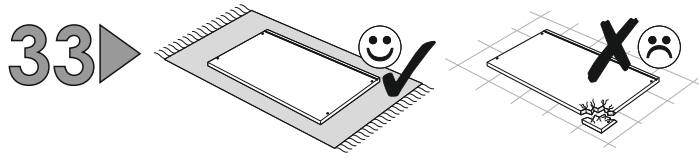


x5

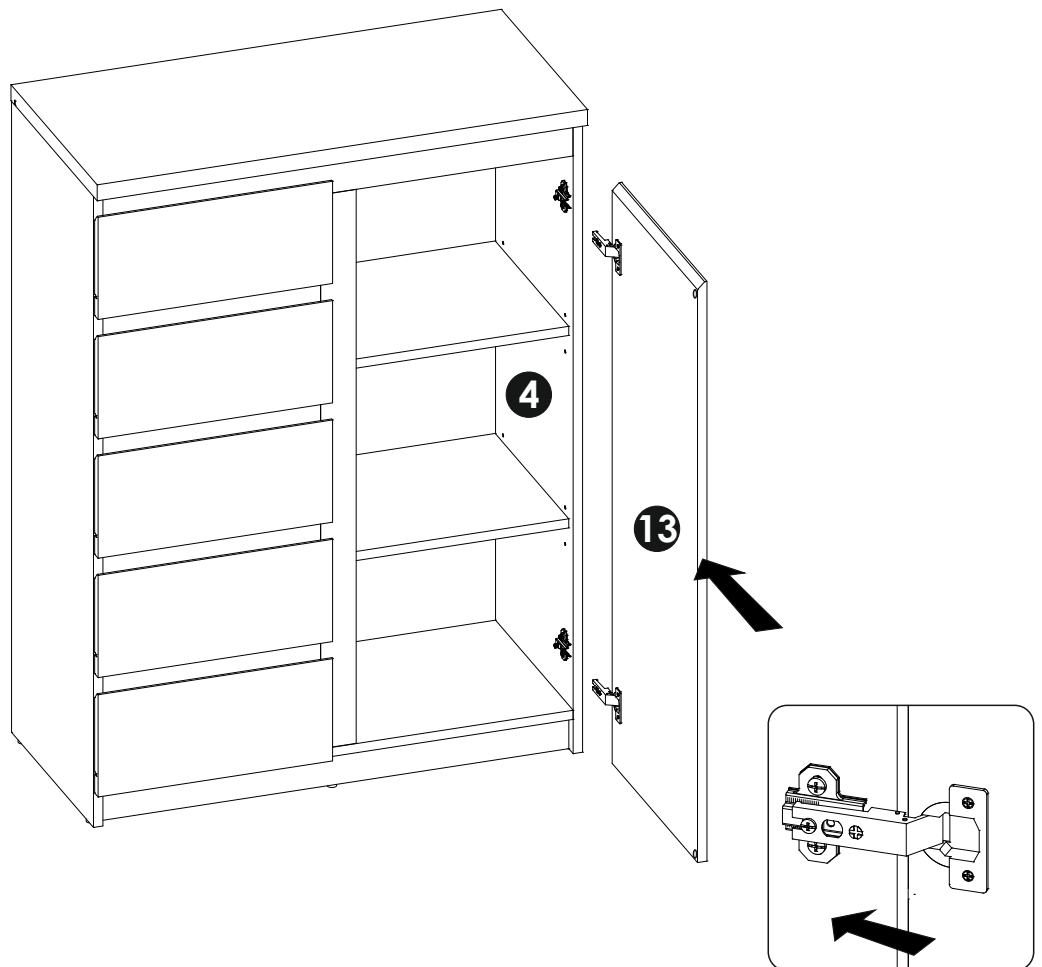


32▶

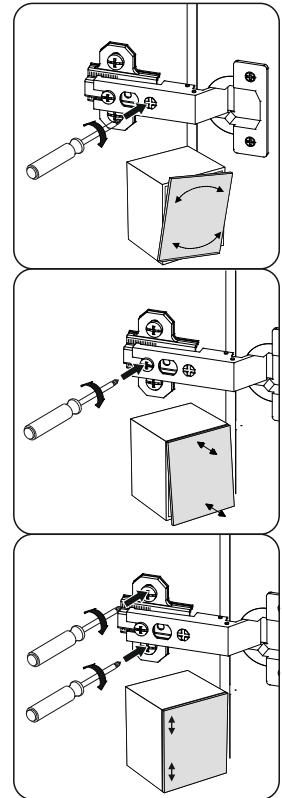
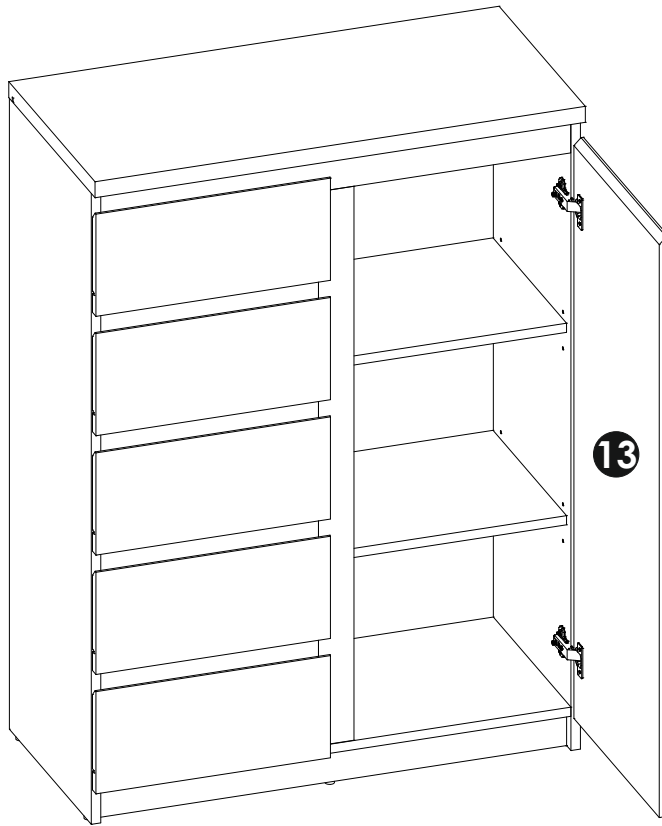




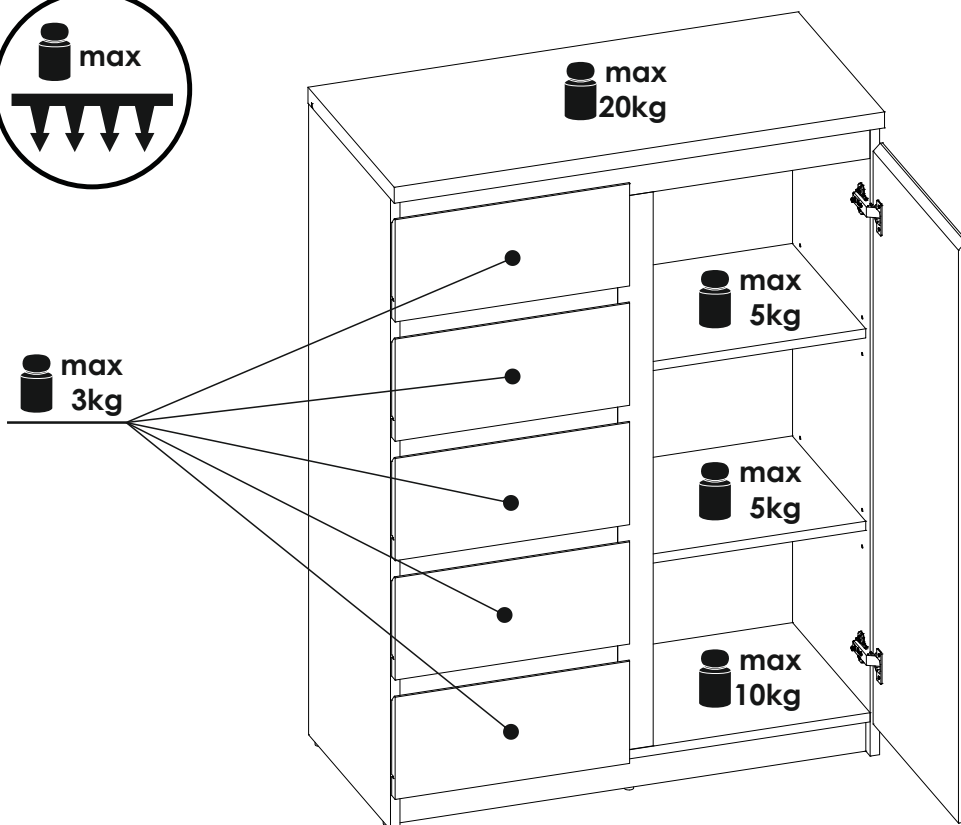
34 ▶

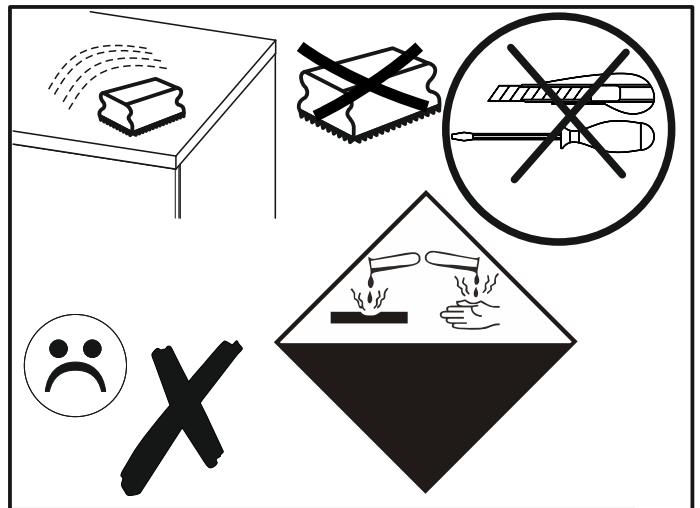
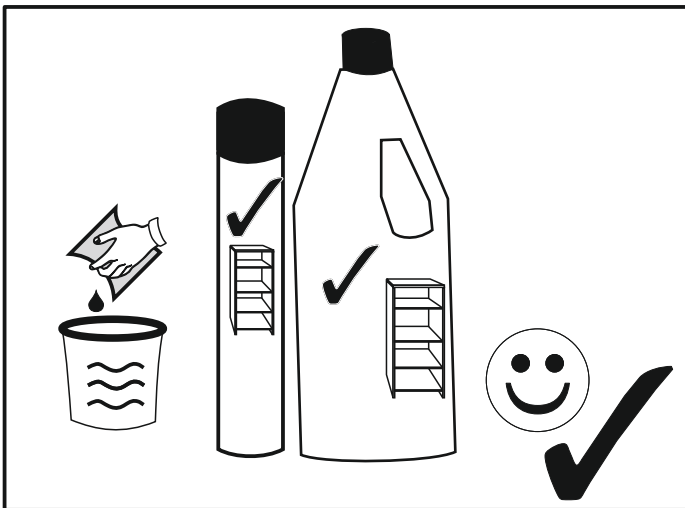
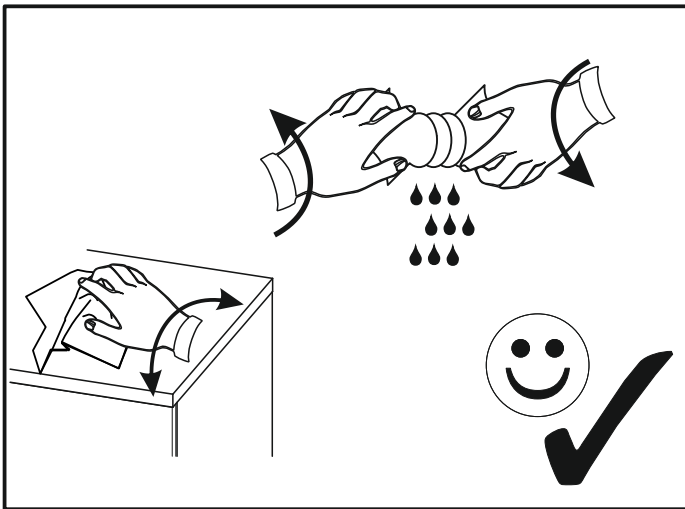
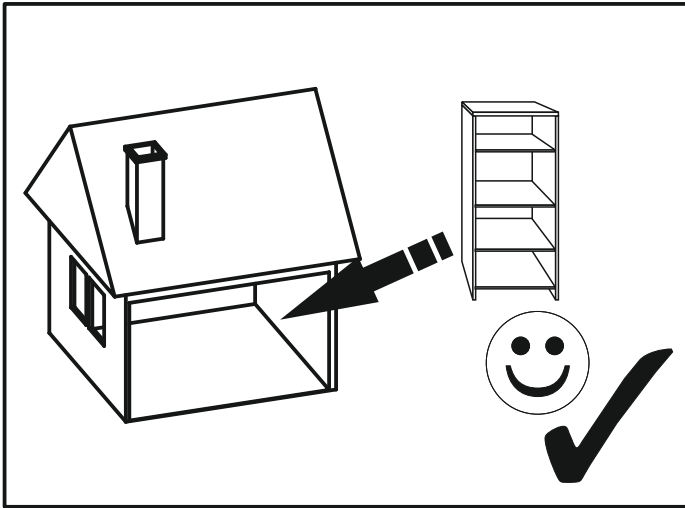


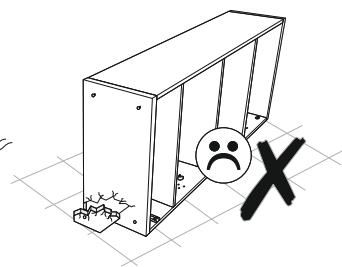
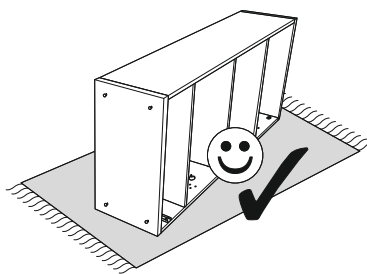
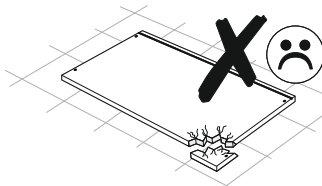
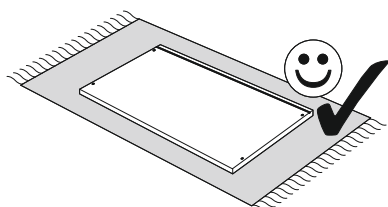
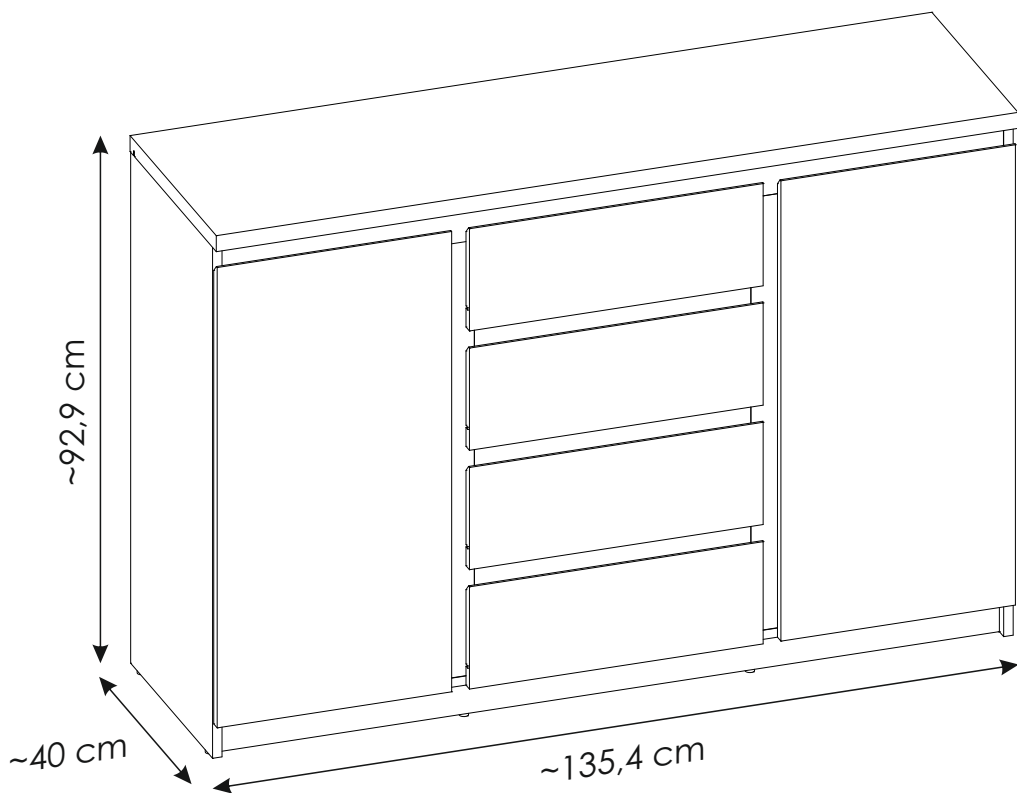
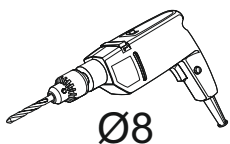
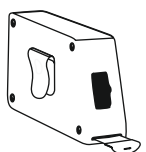
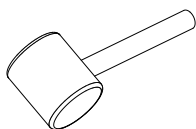
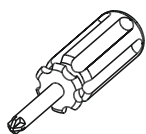
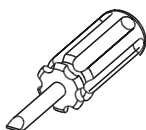
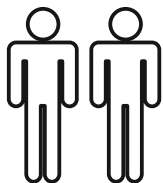
35▶

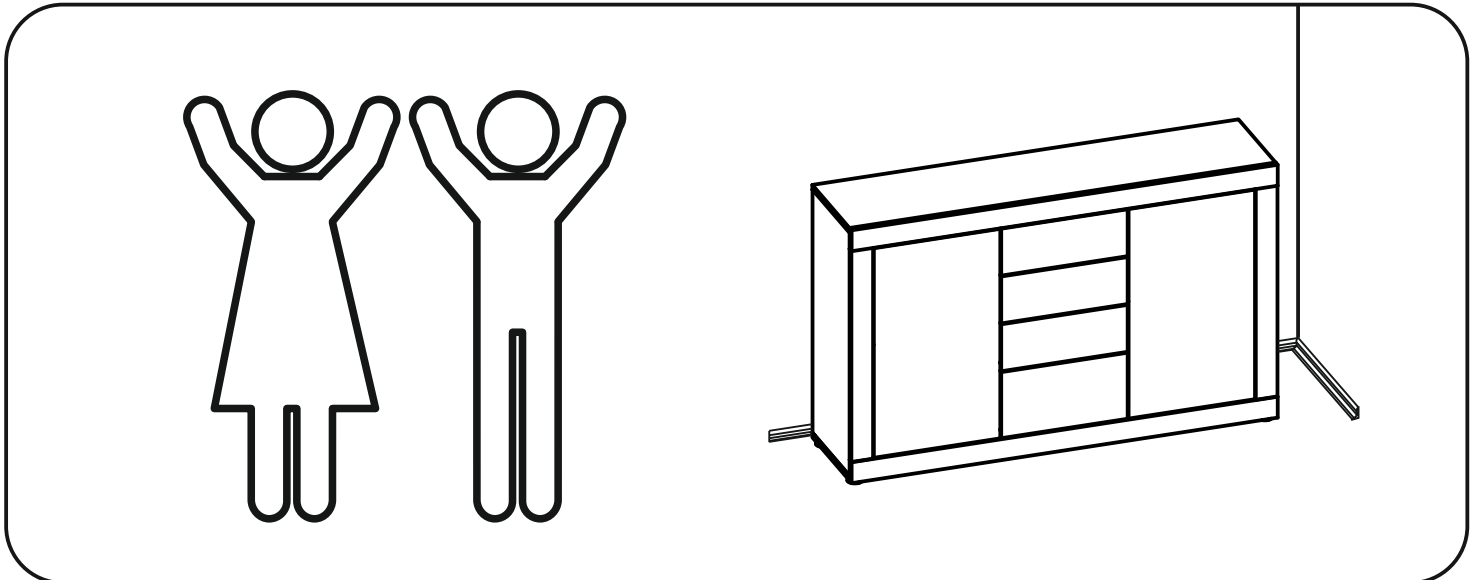
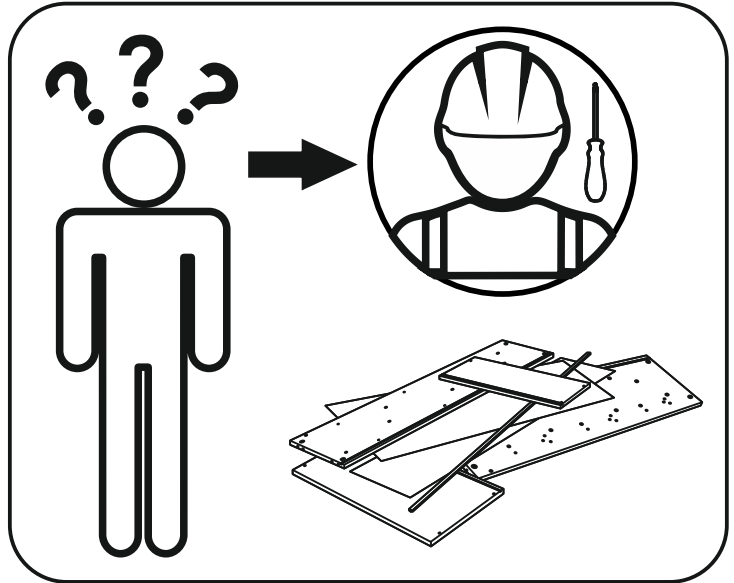
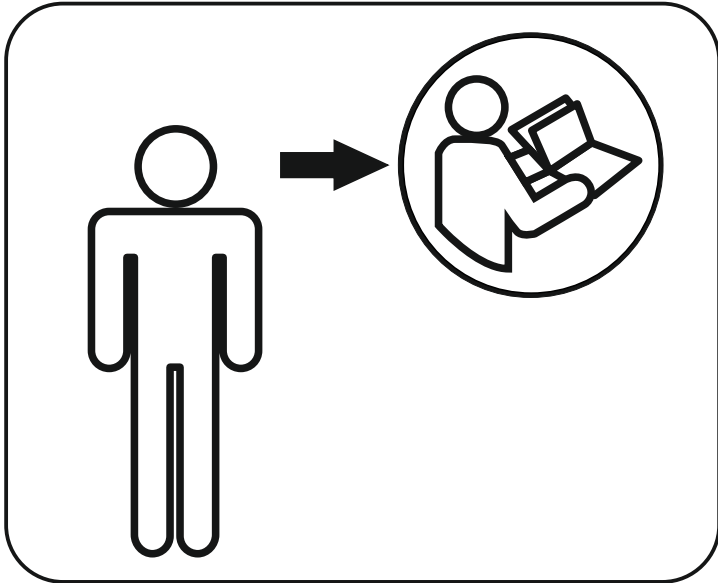
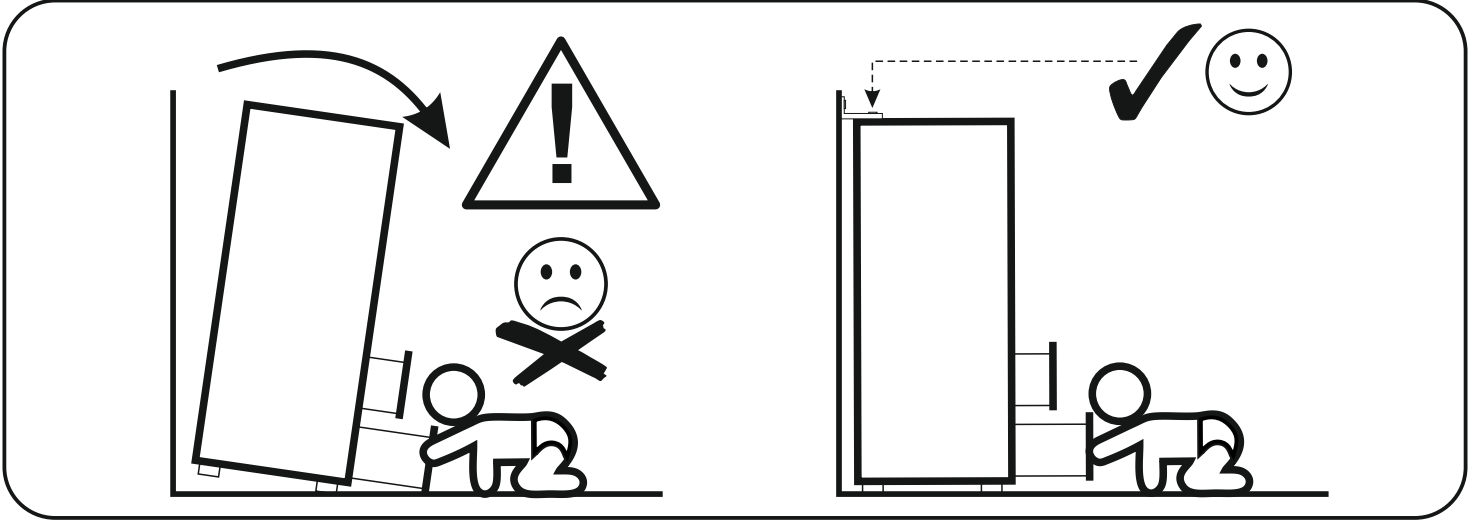
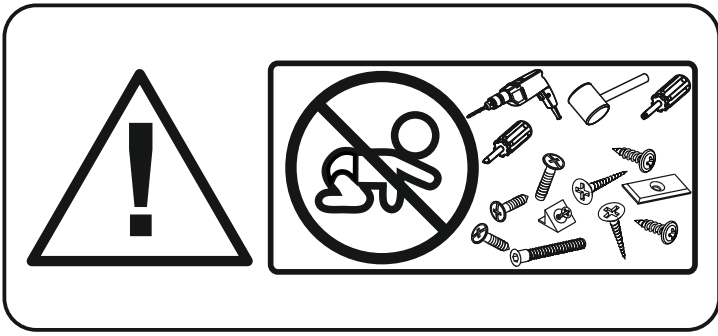


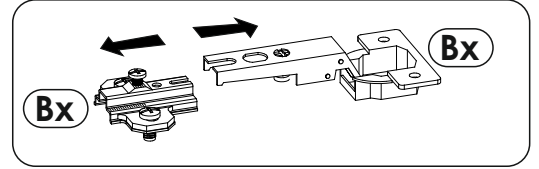
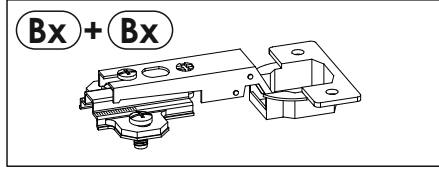
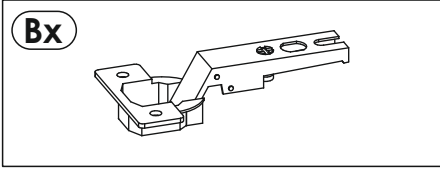
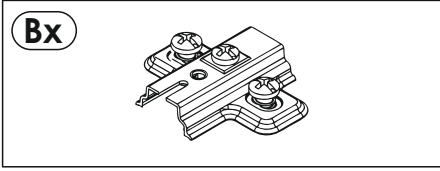
36▶

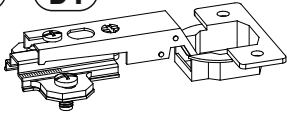
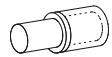
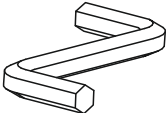
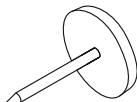
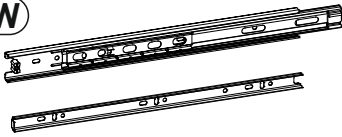
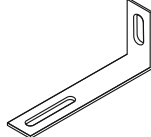
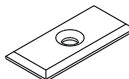
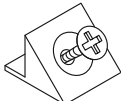
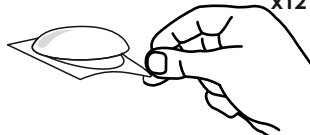
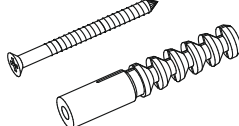
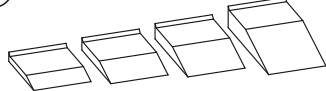


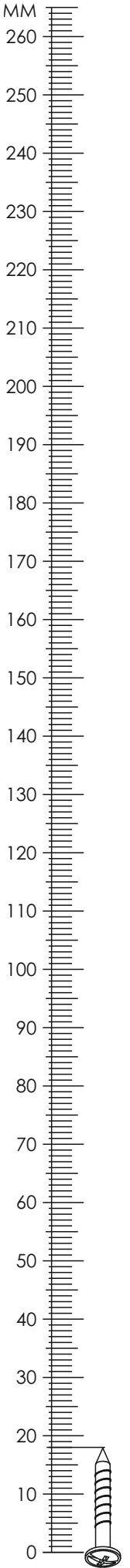
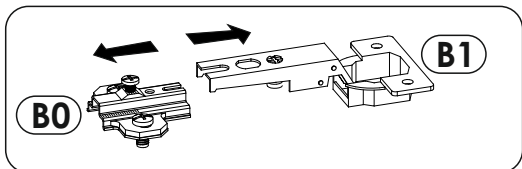


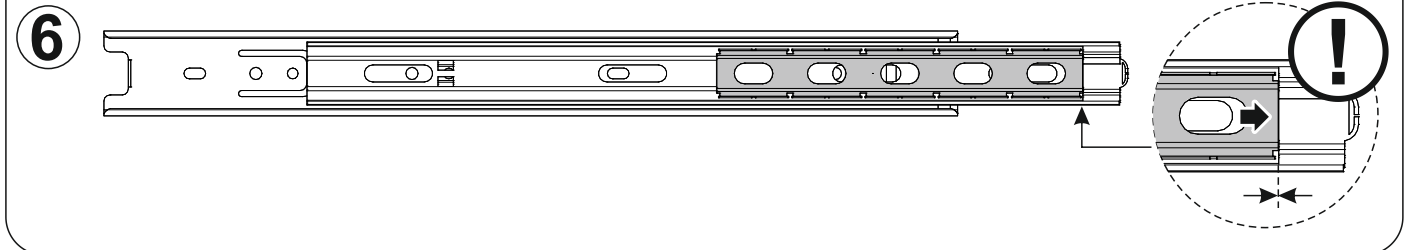
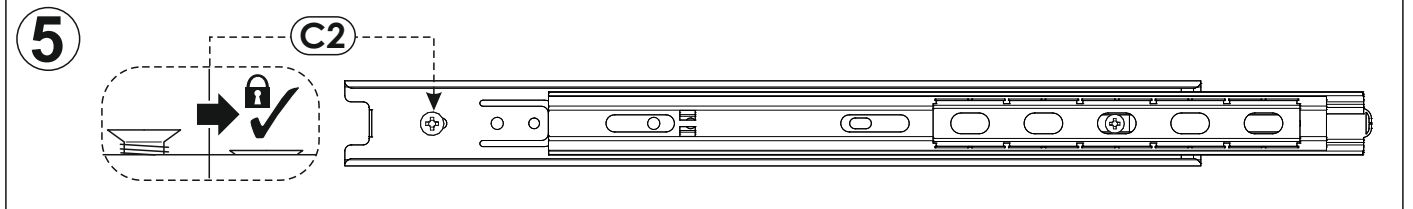
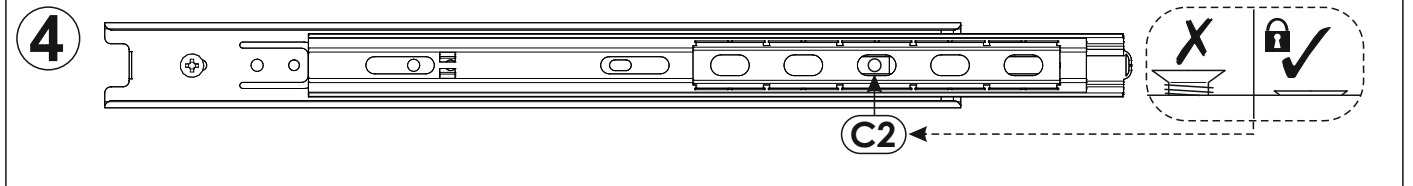
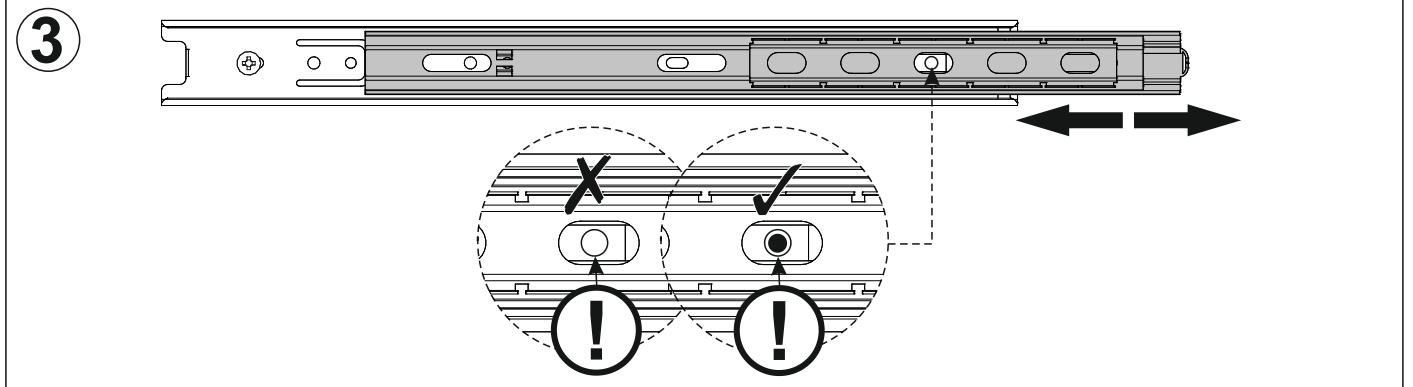
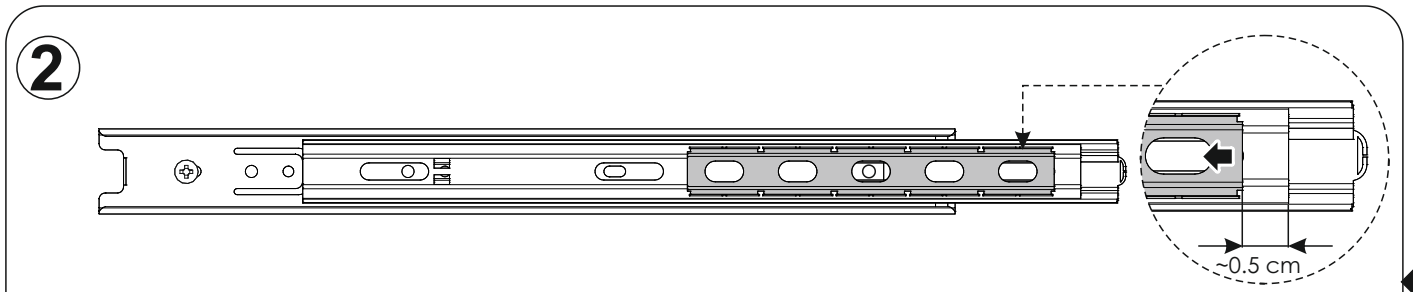
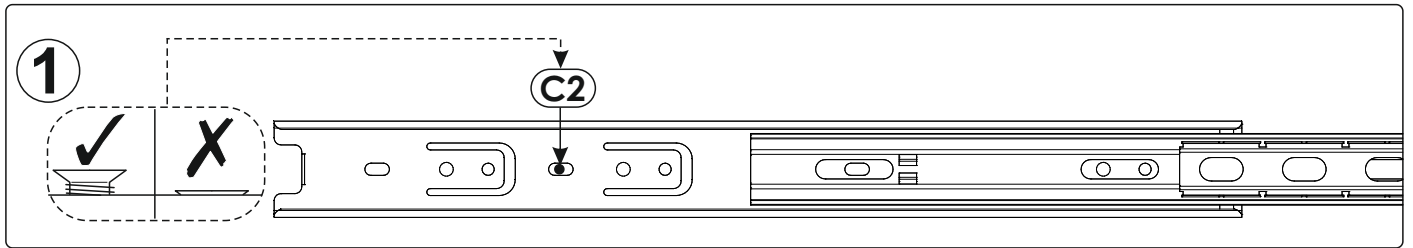
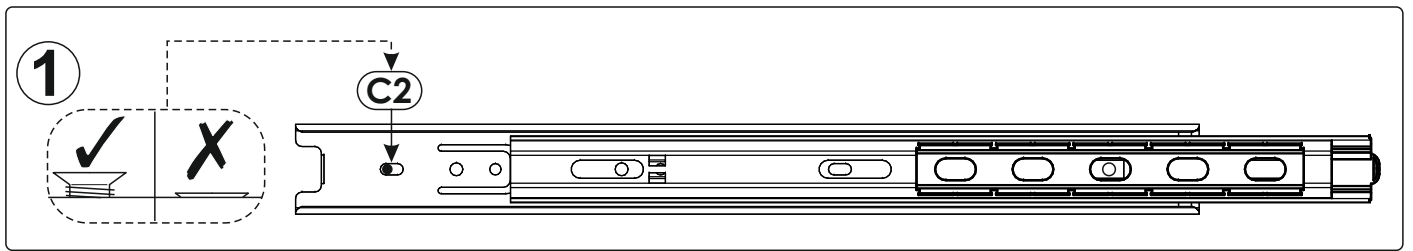


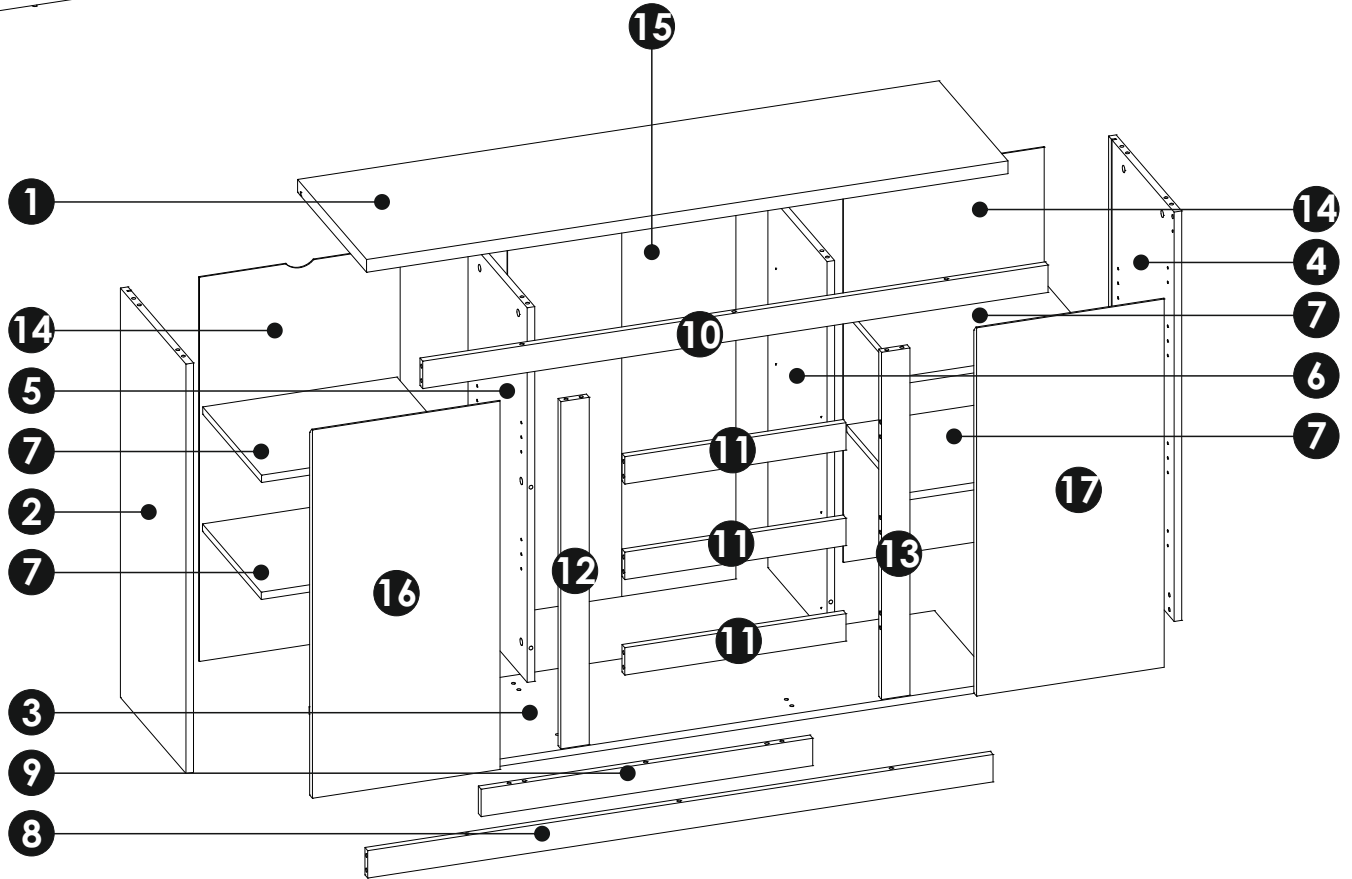
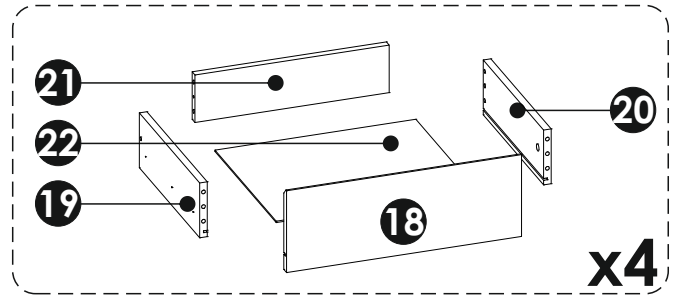
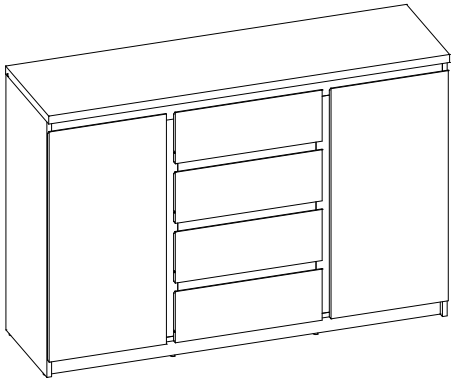




A1	8 x 35 mm	x56	A2	8 x 45 mm	x8	B0 + B1		x4
C1	4 x 13 mm	x8	C2	5 x 13 mm	x16	D2		x16
E0	Ø16	x22	E1	15 x 12 mm	x53	F1	6 x 34 mm	x37
F3	7 x 58 mm	x8	G1	7 x 50 mm	x12	I2	4 x 16 mm	x2
M		x1	N1	3 X 16 mm	x40	N2	3,5 X 16 mm	x24
O2		x9	PW		x8	Q9		x2
R1		x10	R4		x11	R8		x12
S13		x2	Z		x1			







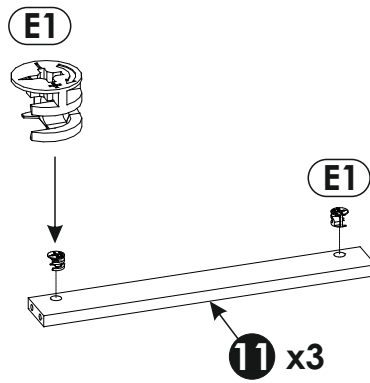
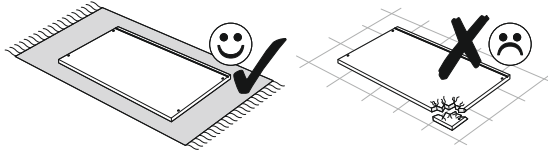
1	1354	400	28	x1	2/2
2	896	380	16	x1	1/2
3	1320	360	16	x1	2/2
4	896	380	16	x1	1/2
5	820	343	16	x1	2/2
6	820	343	16	x1	2/2
7	410	341	16	x4	2/2

8	1320	60	16	x1	2/2
9	700	60	16	x1	2/2
10	1320	60	16	x1	2/2
11	467	60	16	x3	1/2
12	760	60	16	x1	1/2
13	760	60	16	x1	1/2
14	841	424	3	x2	1/2

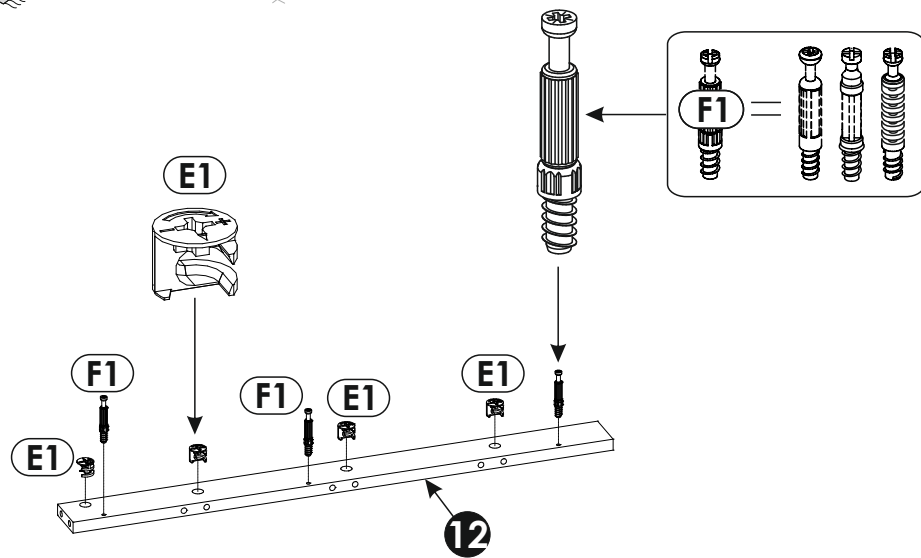
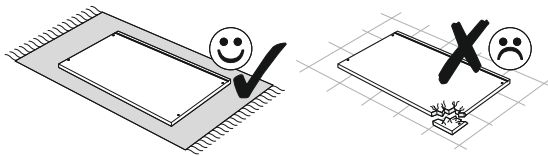
15	841	482	3	x1	1/2
16	806	396	16	x1	1/2
17	806	396	16	x1	1/2
18	496	179	16	x4	1/2
19	350	120	16	x4	1/2
20	350	120	16	x4	1/2
21	410	104	16	x4	2/2
22	424	355	3	x4	1/2



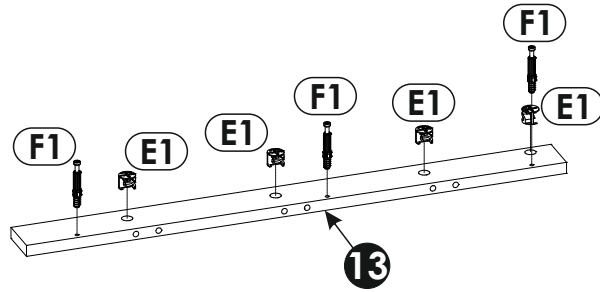
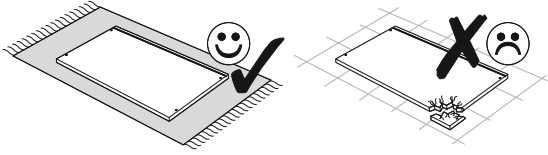
1 ▶



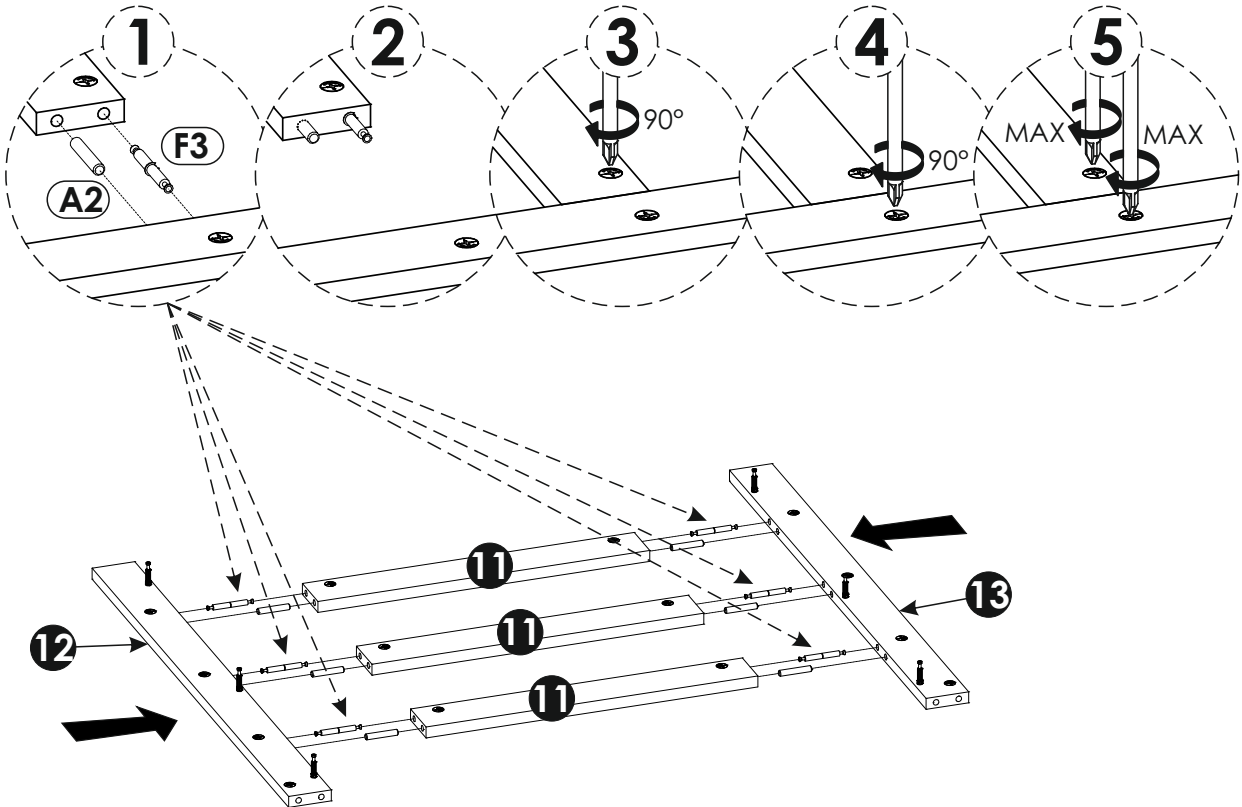
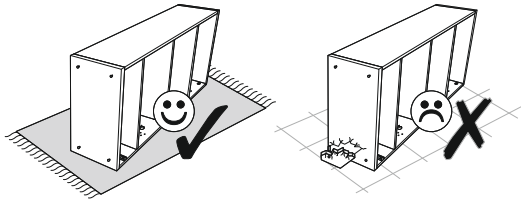
2 ▶



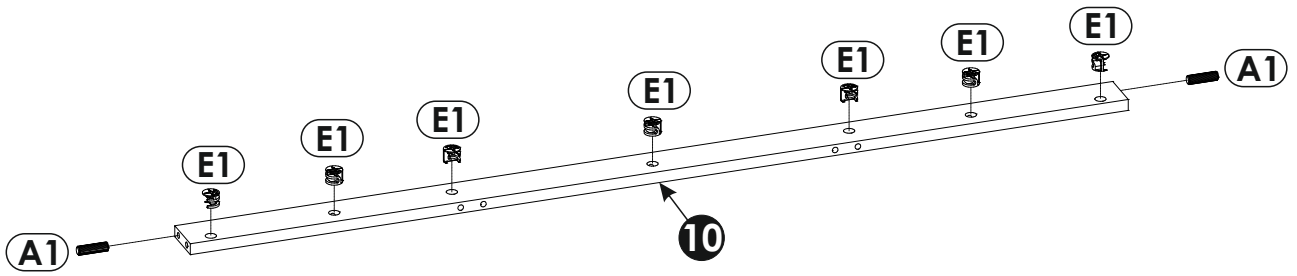
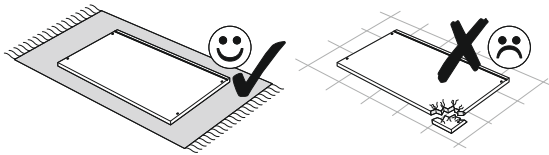
3 ▶



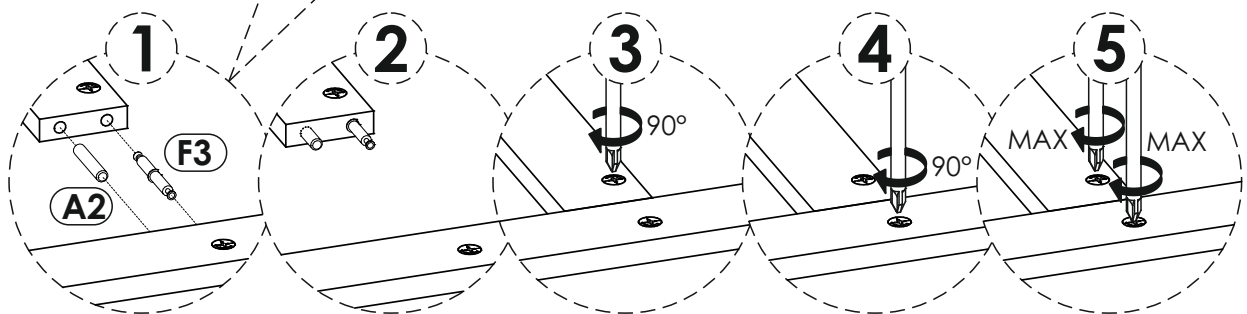
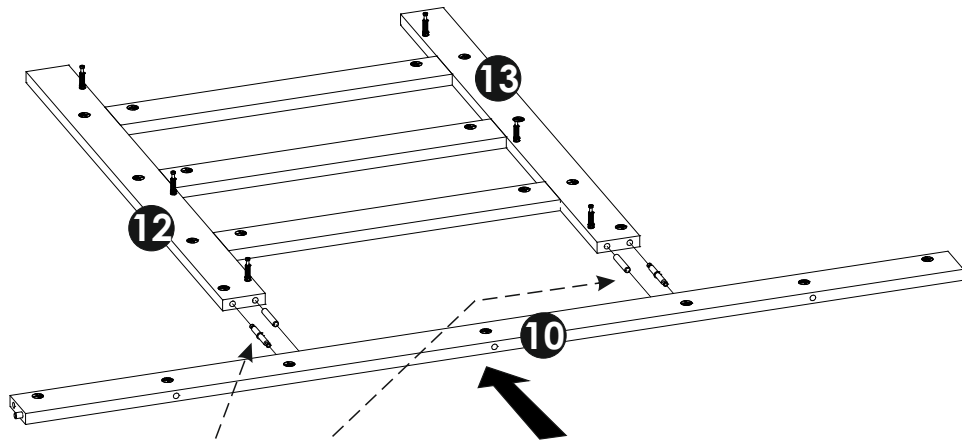
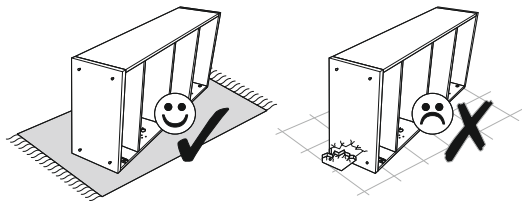
4 ▶

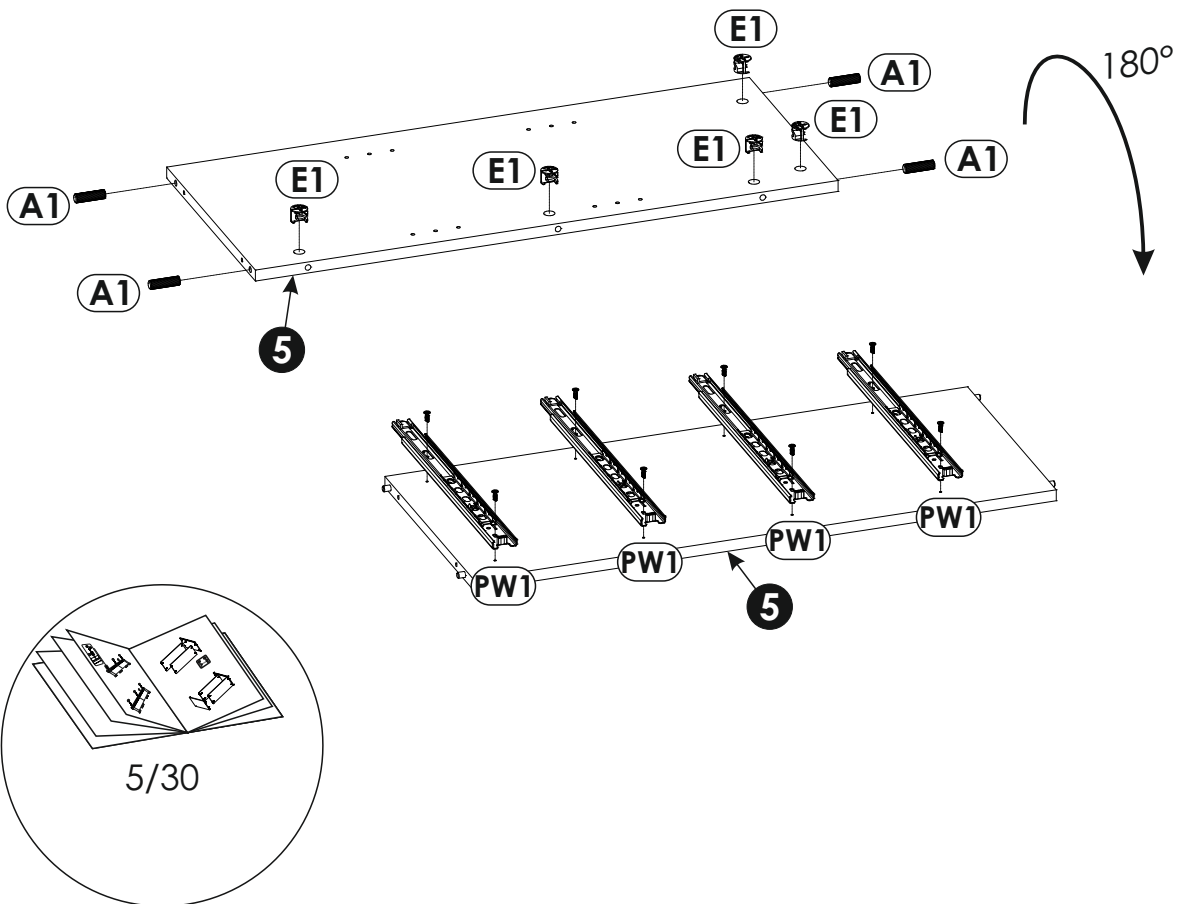
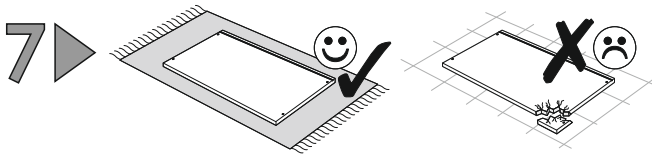
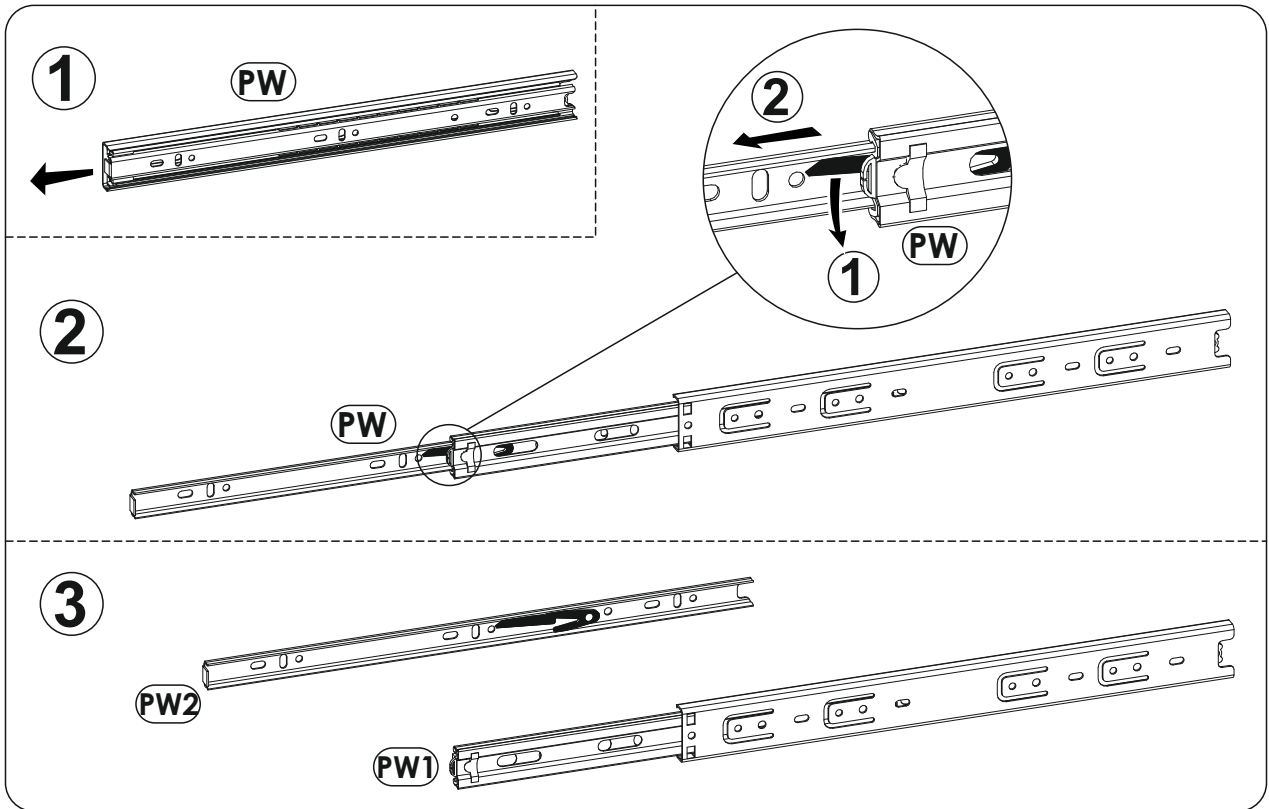


5 ▶

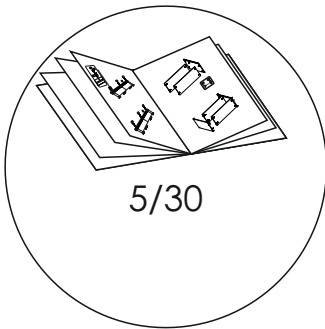
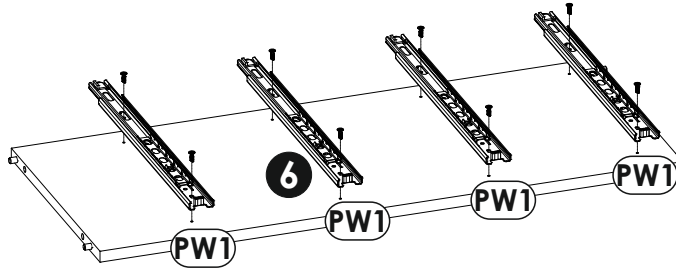
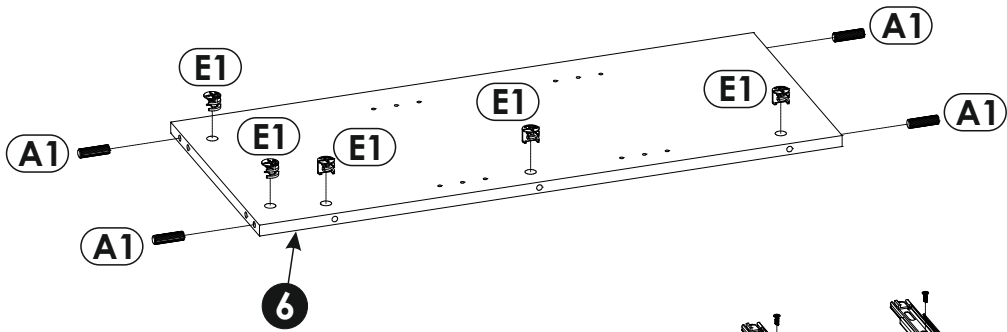
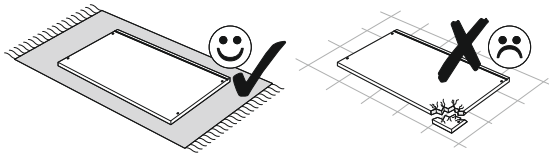


6 ▶

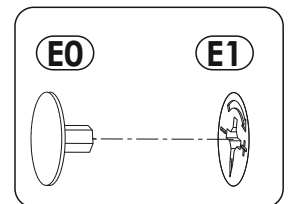
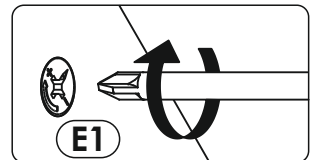
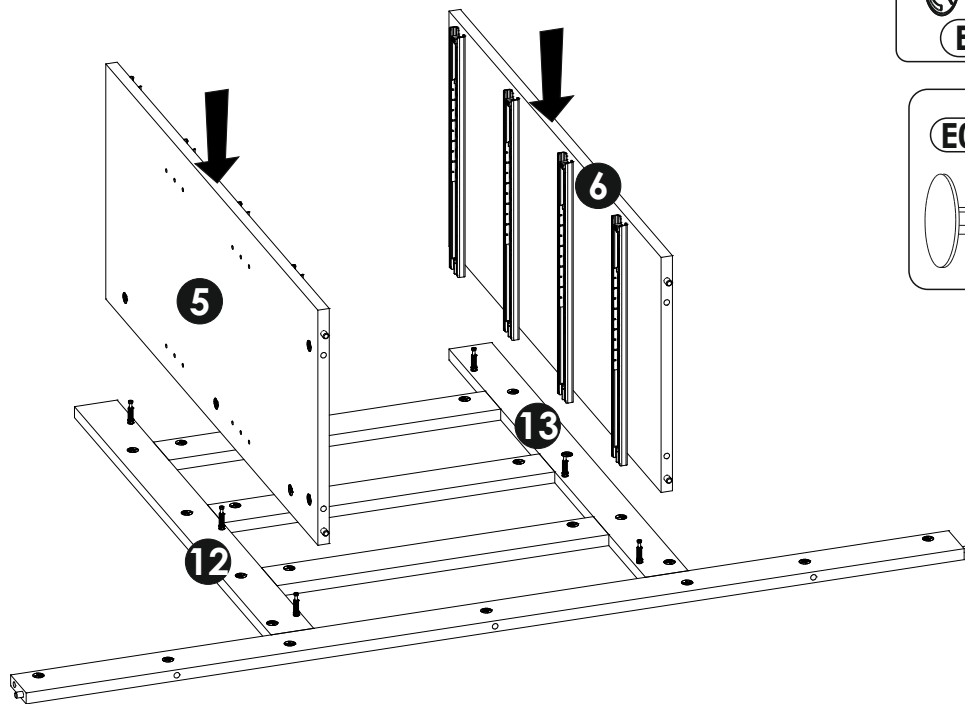
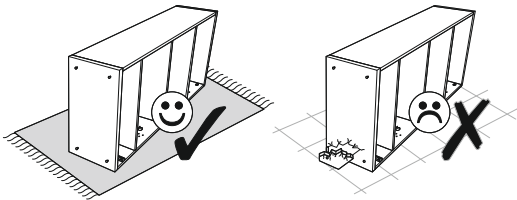




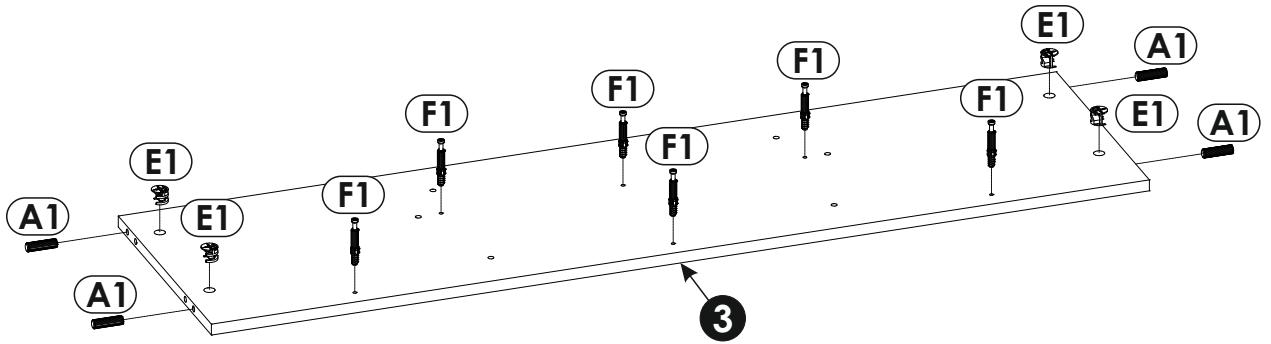
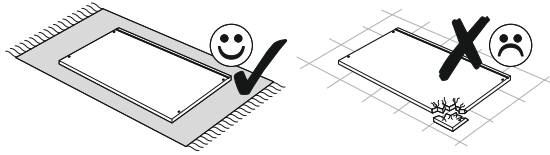
8 ▶



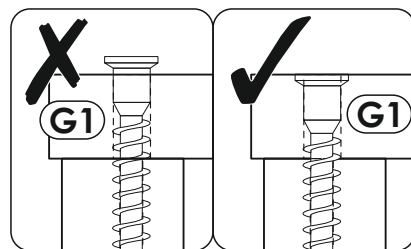
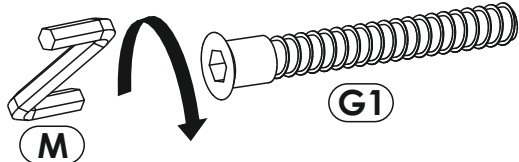
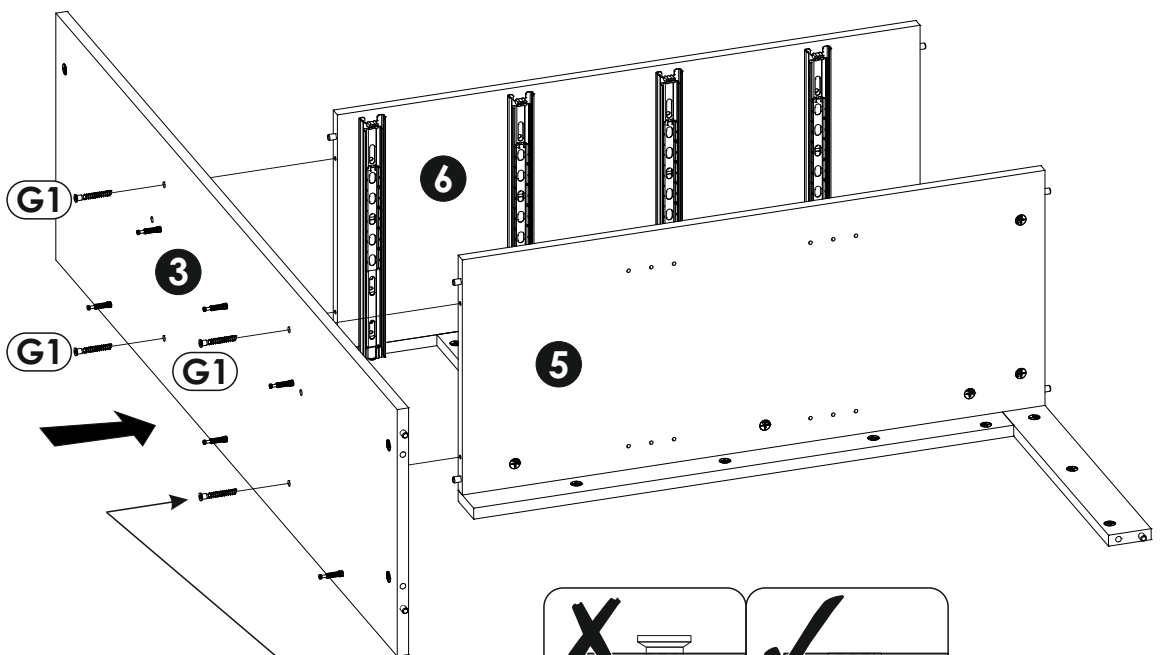
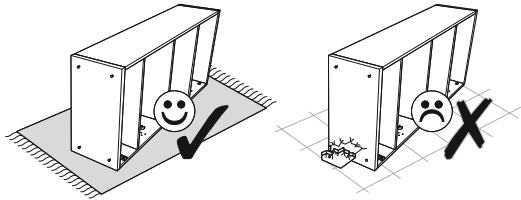
9 ▶



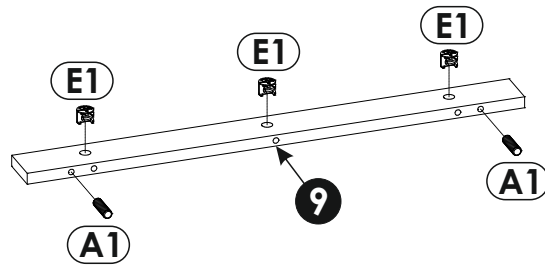
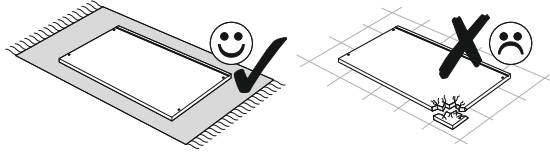
10 ▶



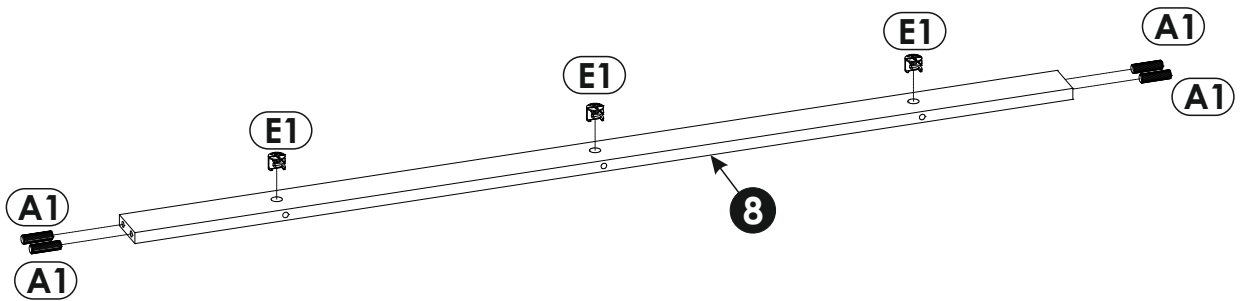
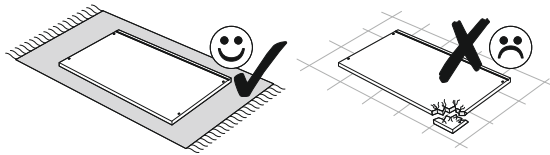
11 ▶



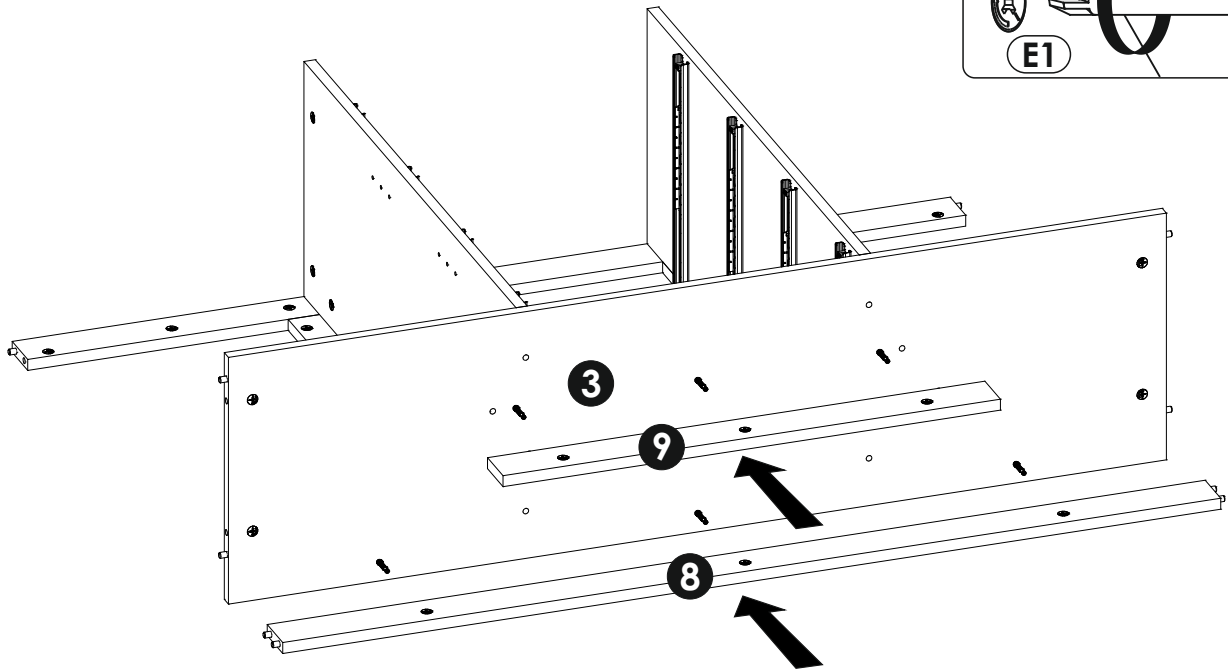
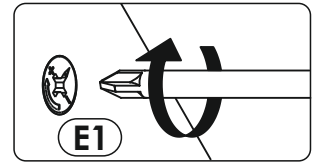
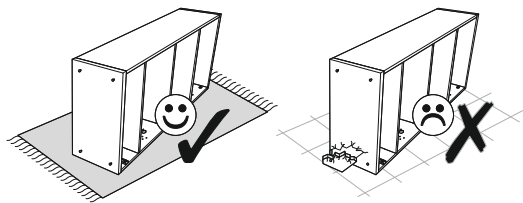
12▶



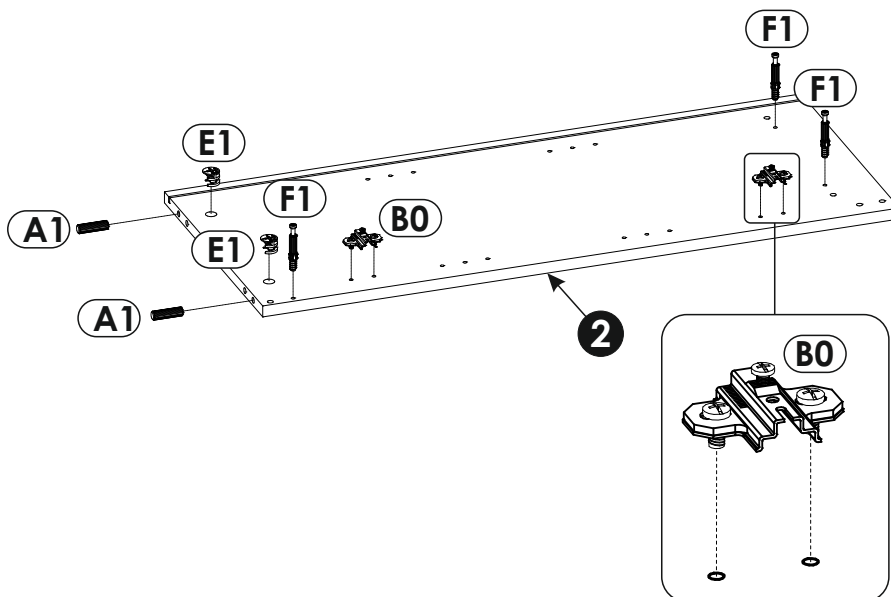
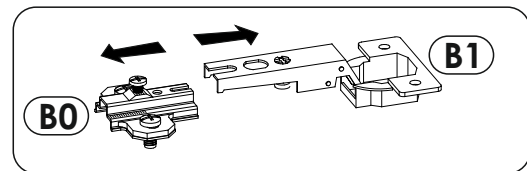
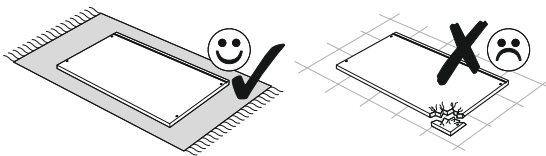
13▶



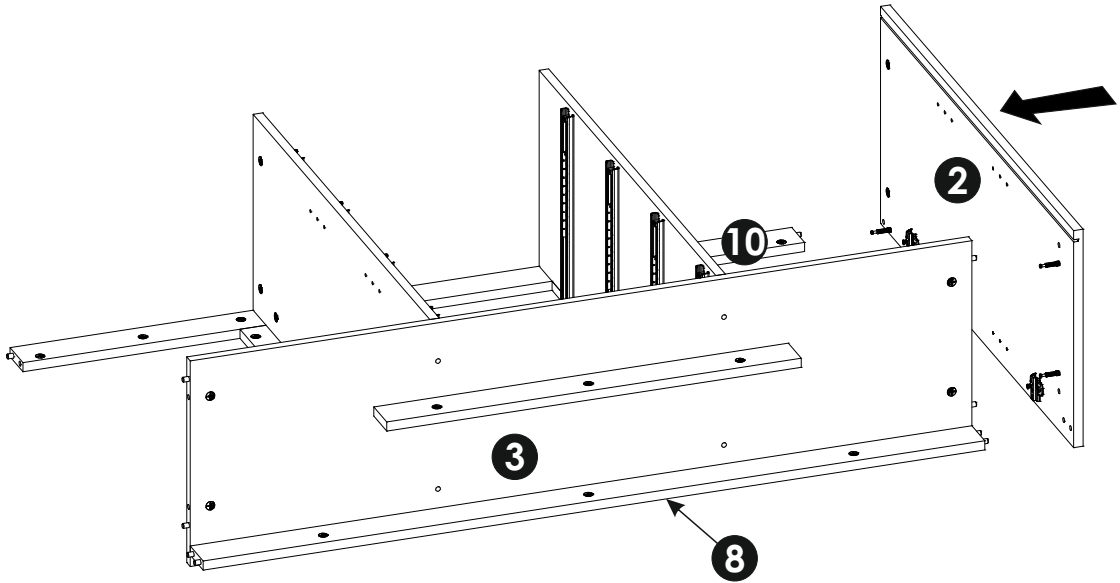
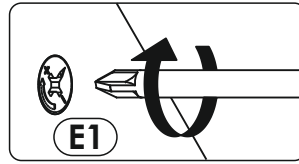
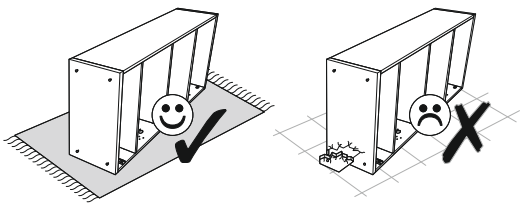
14▶



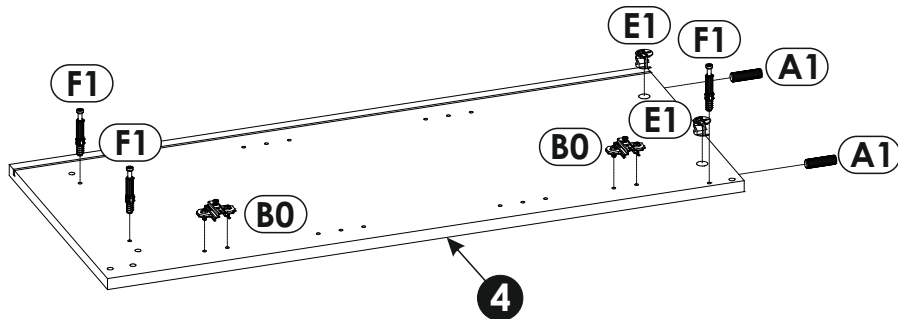
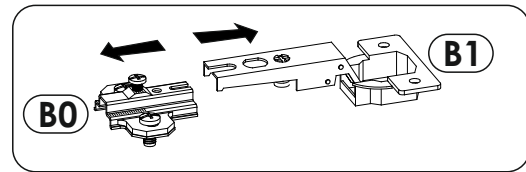
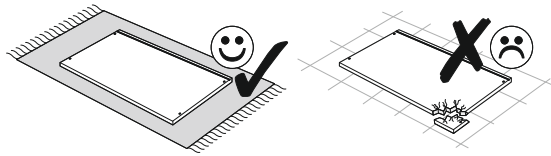
15▶



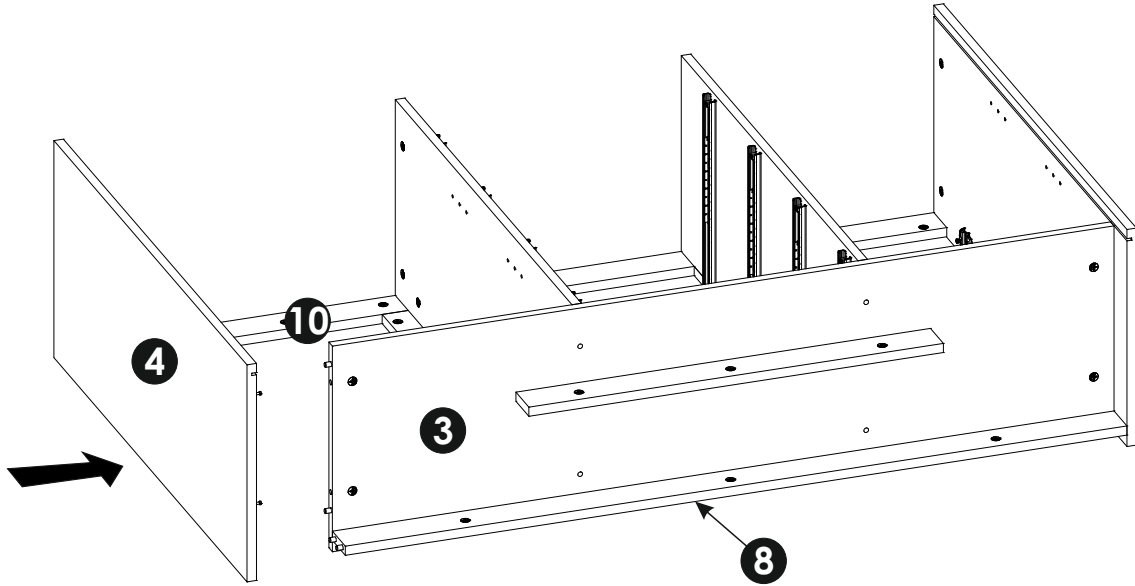
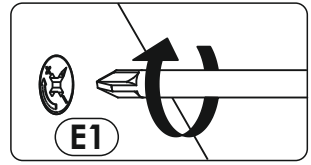
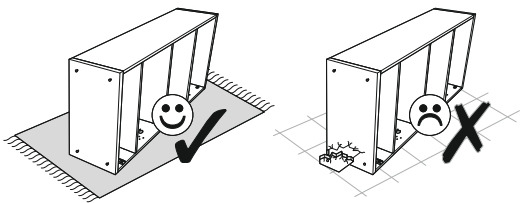
16 ▶



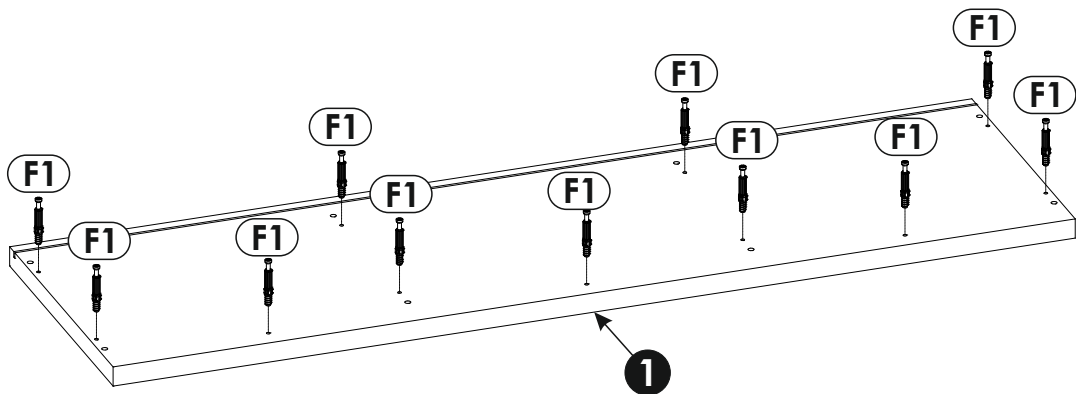
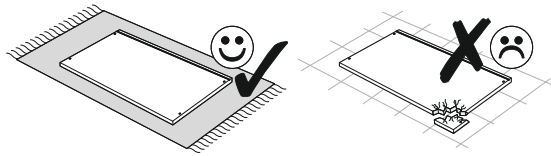
17 ▶



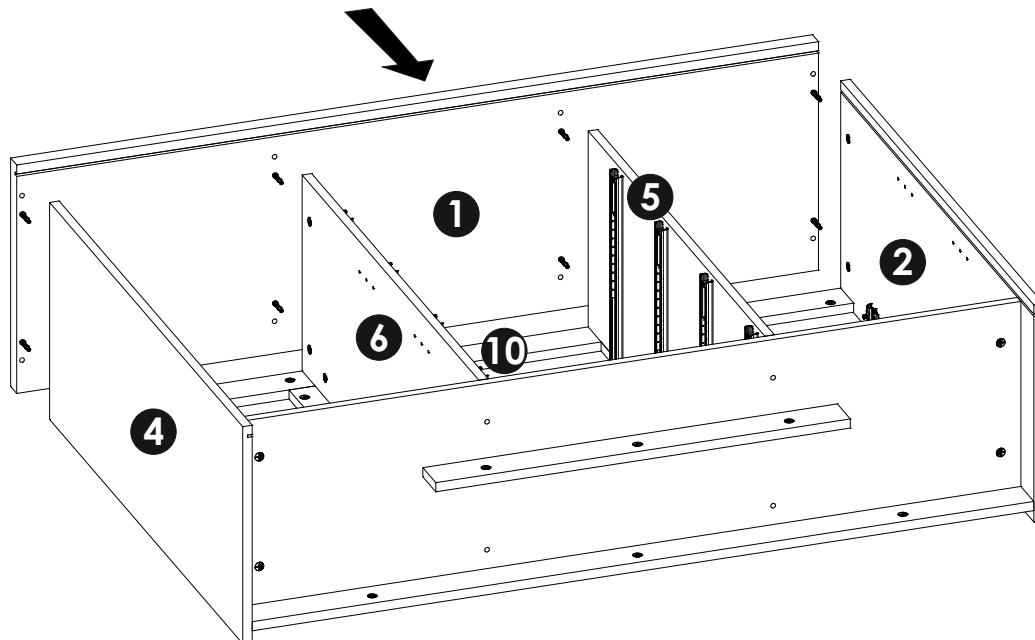
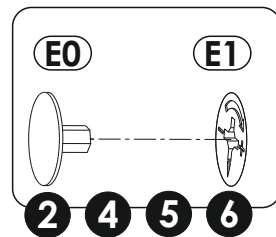
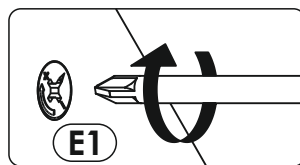
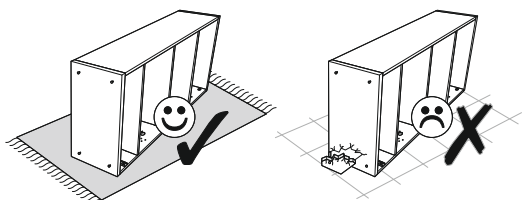
18 ▶



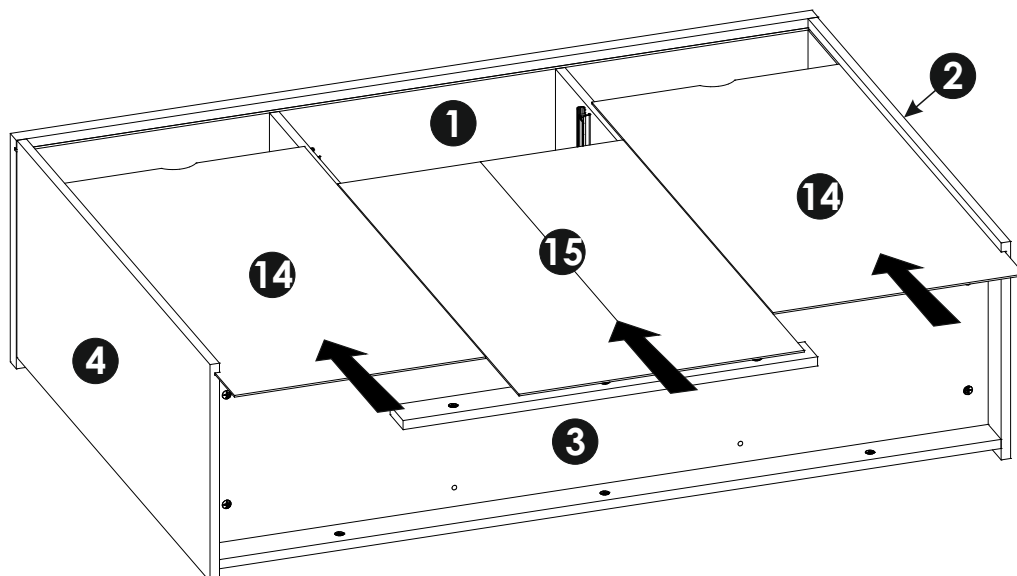
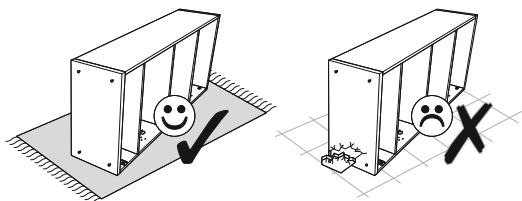
19 ▶



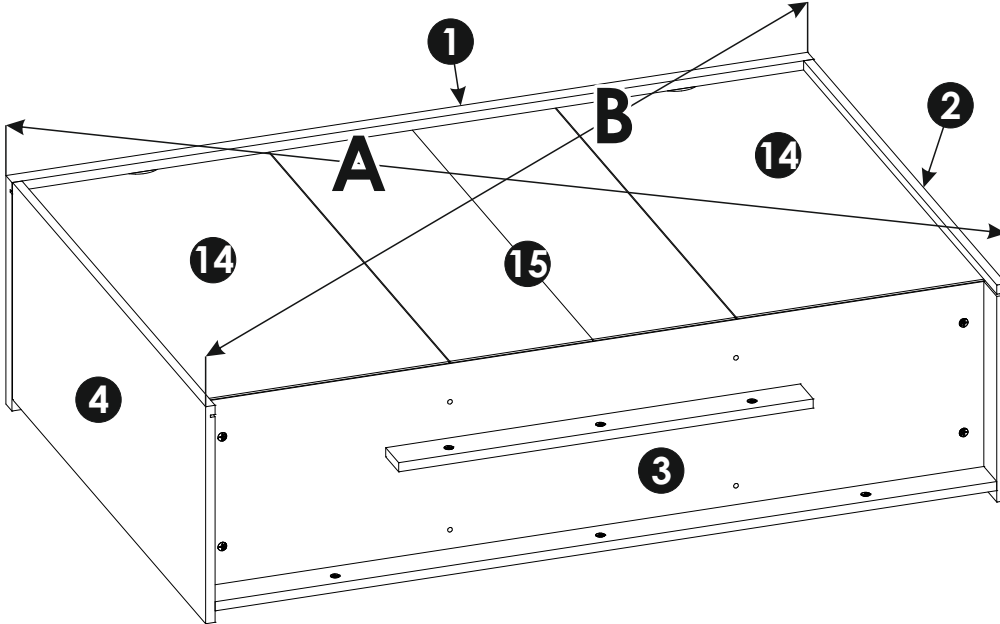
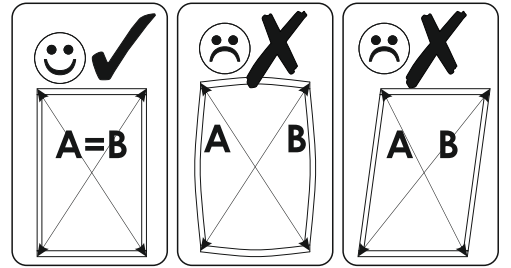
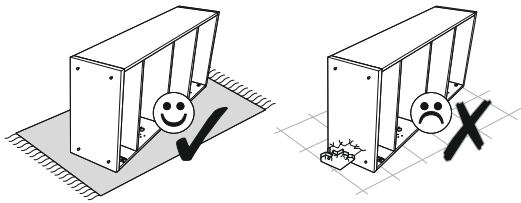
20 ▶



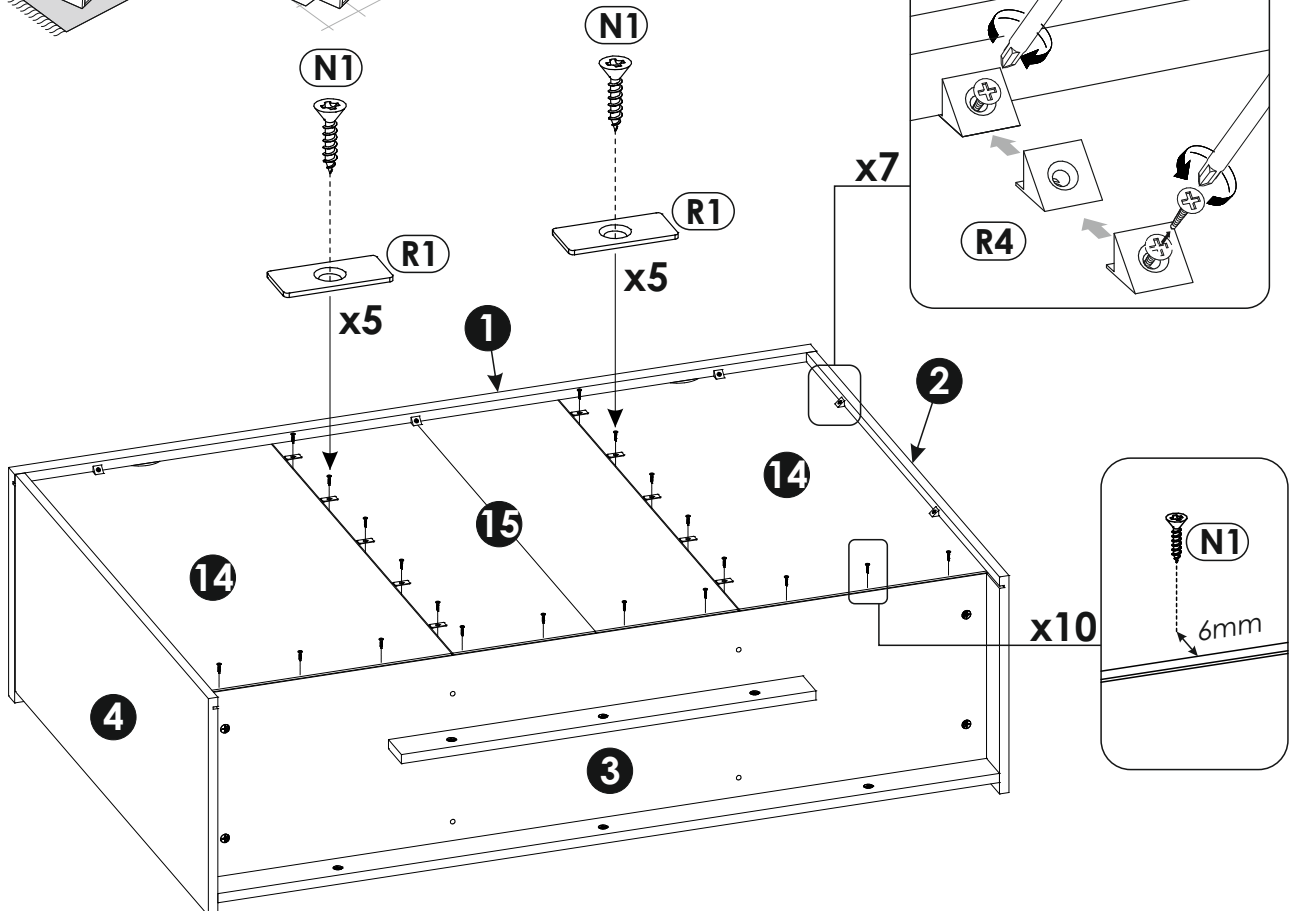
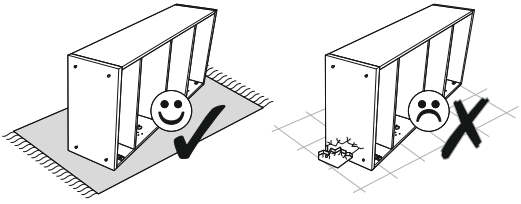
21 ▶



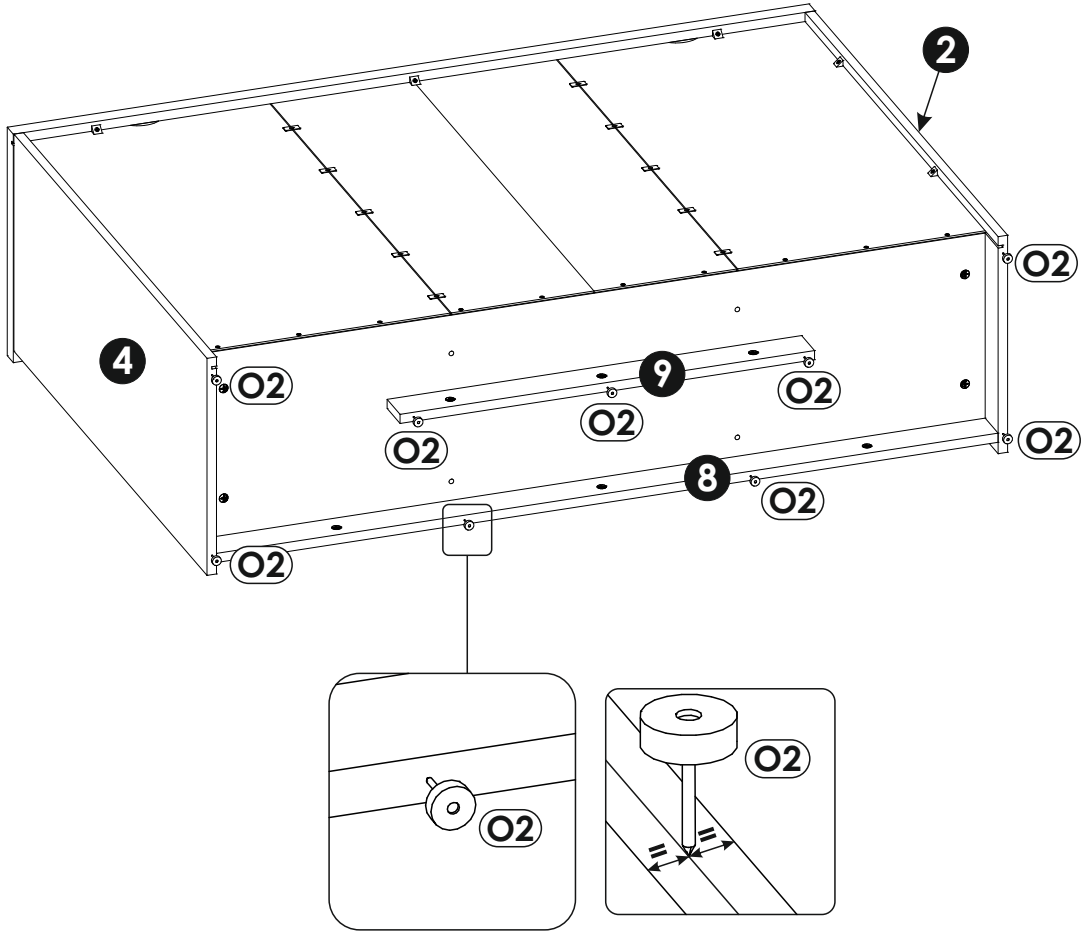
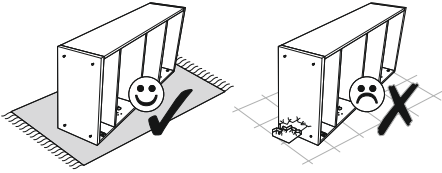
22 ▶

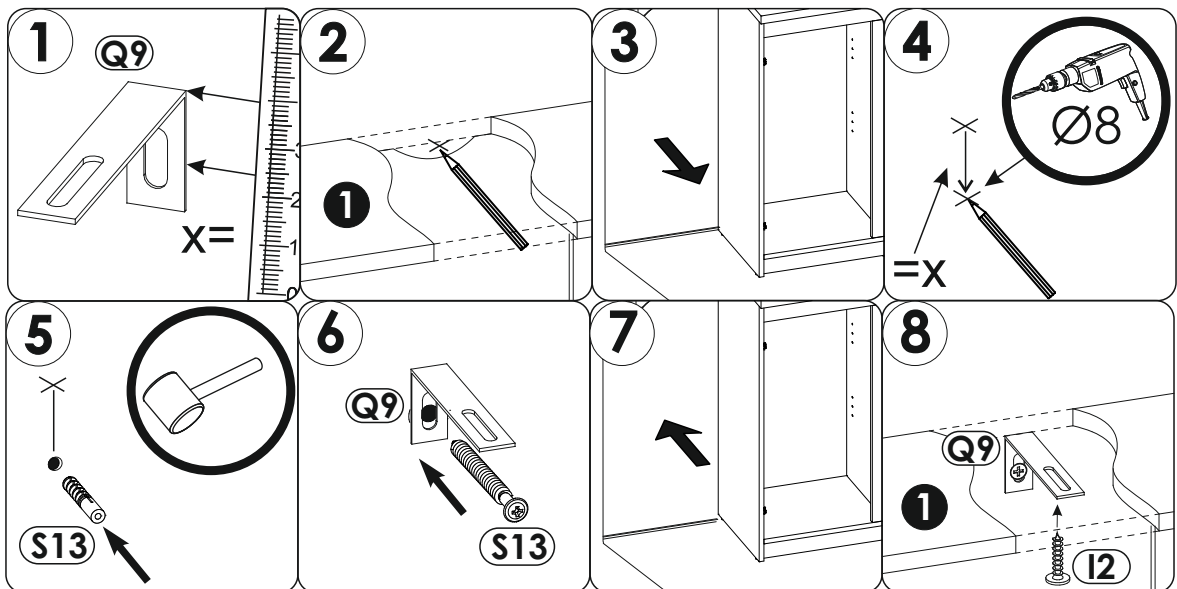
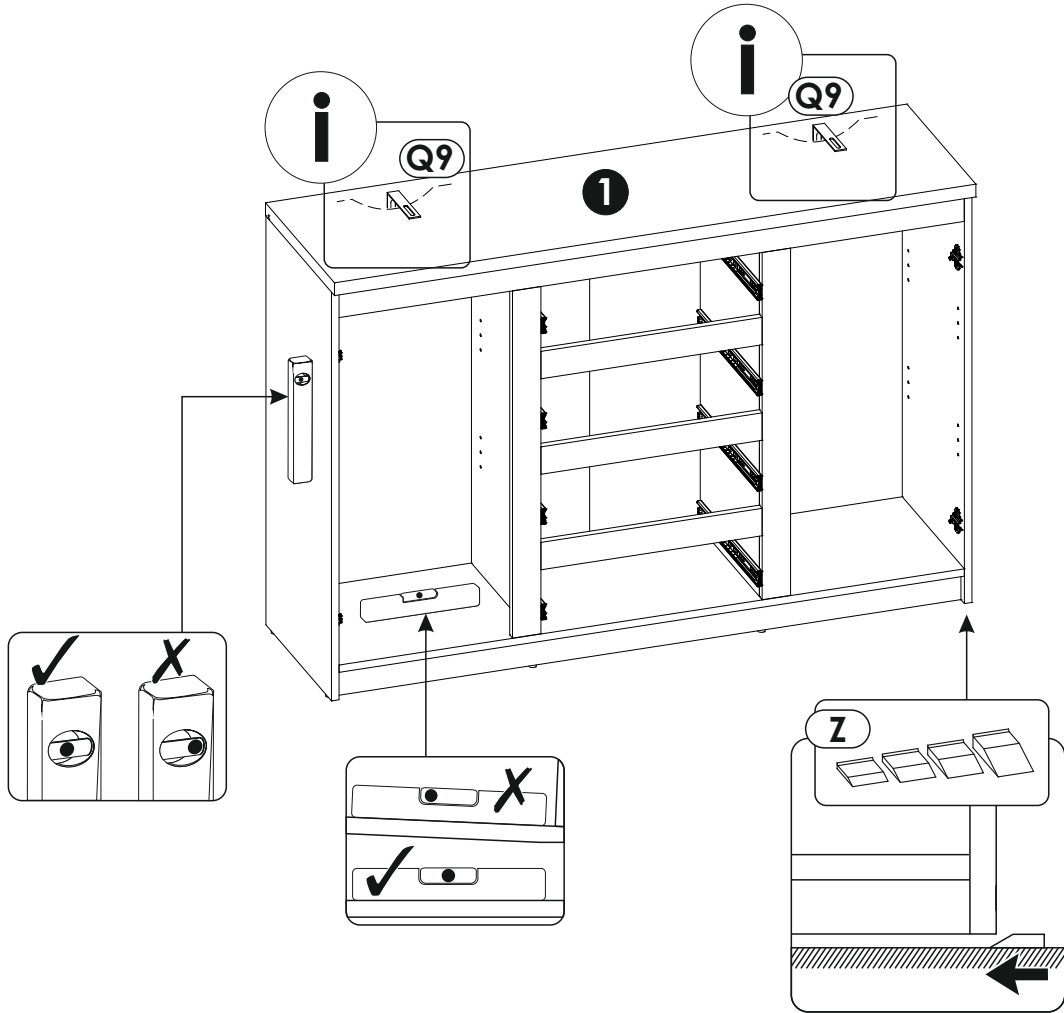
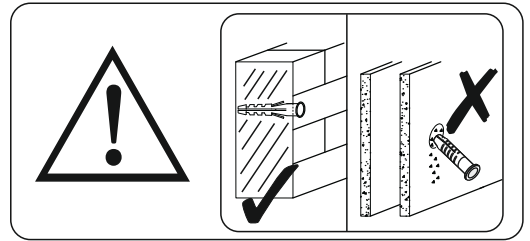


23 ▶

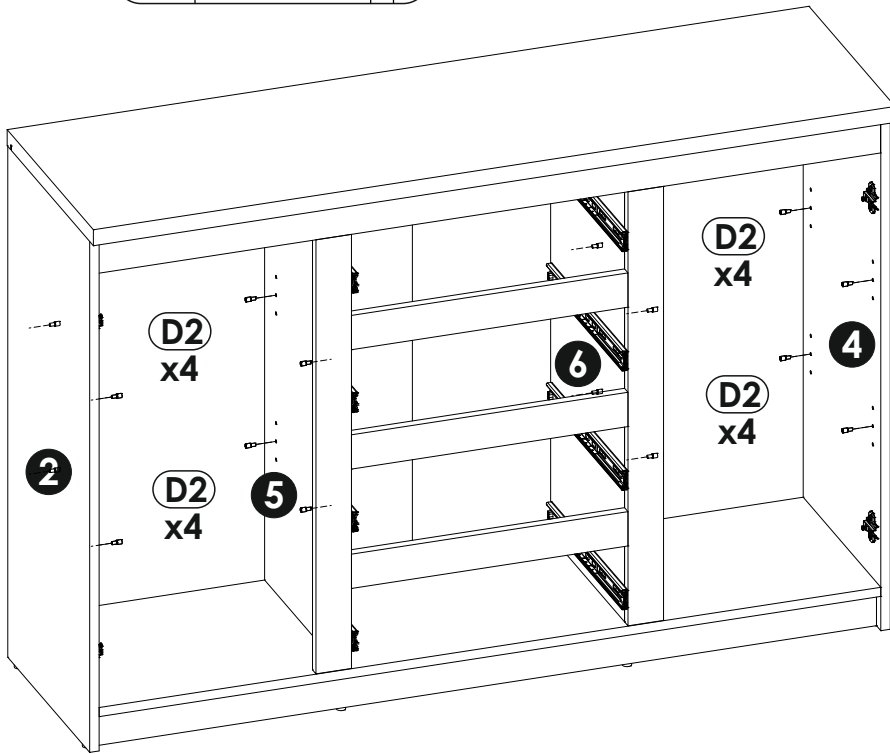
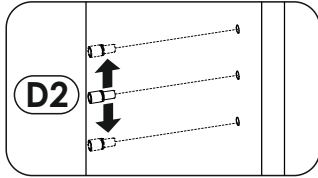


24 ▶

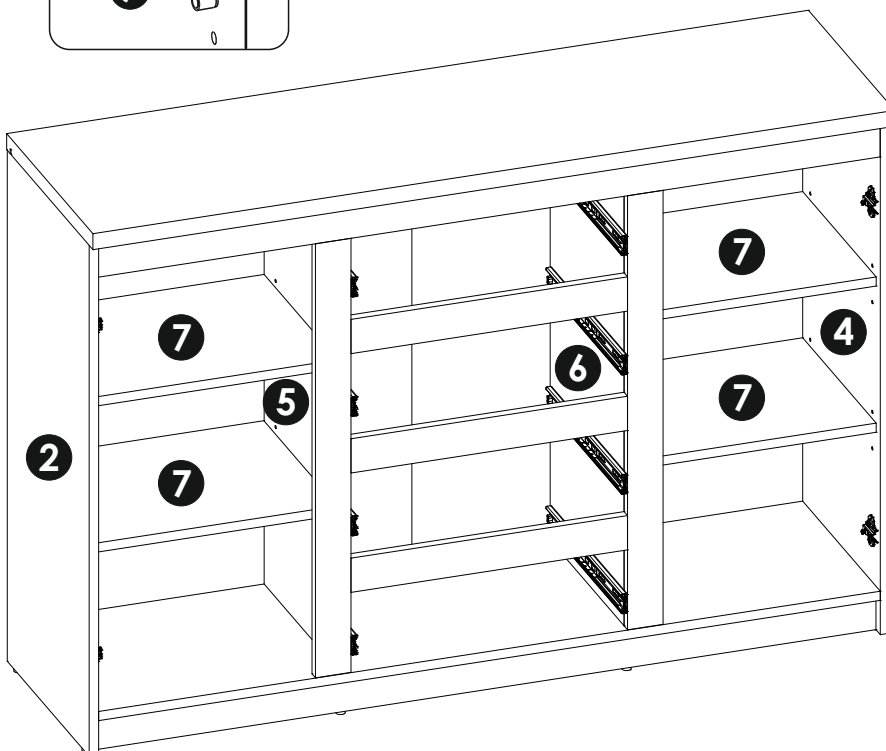
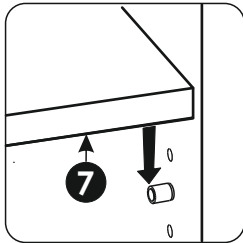




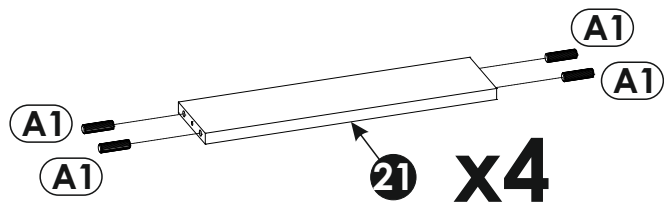
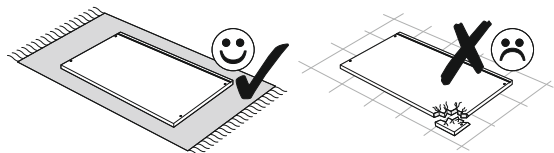
26▶



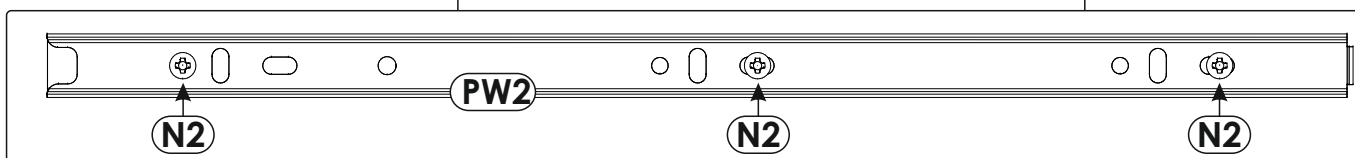
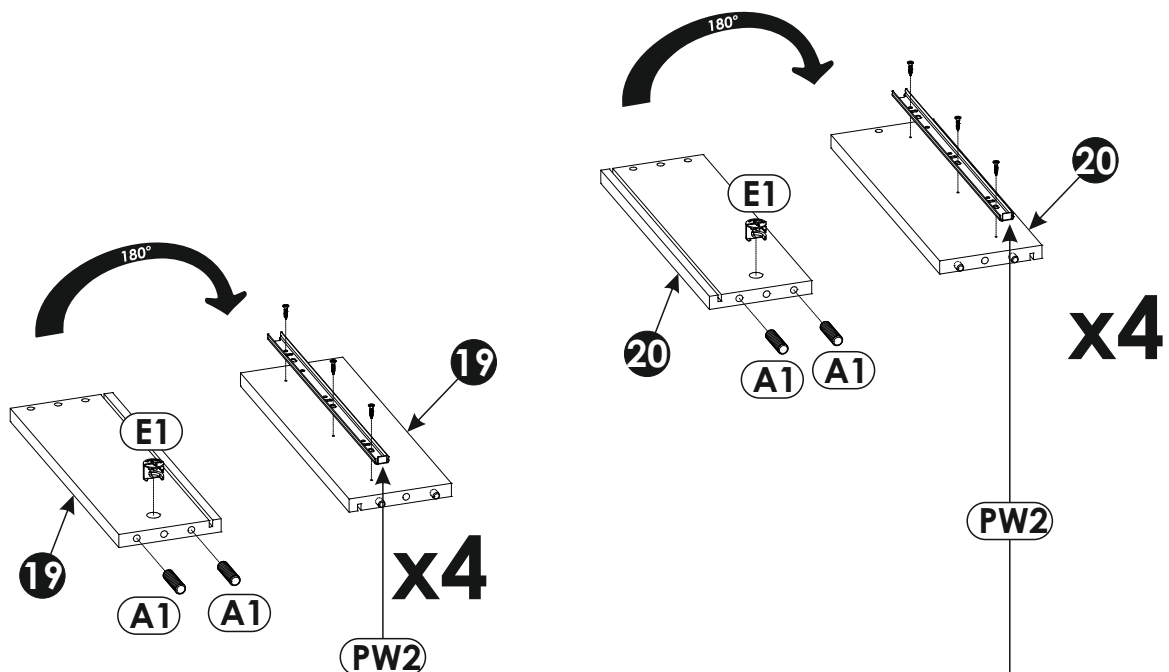
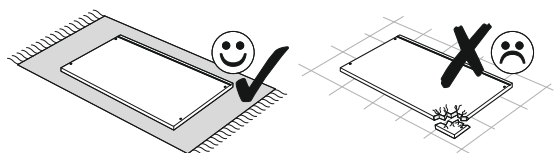
27▶



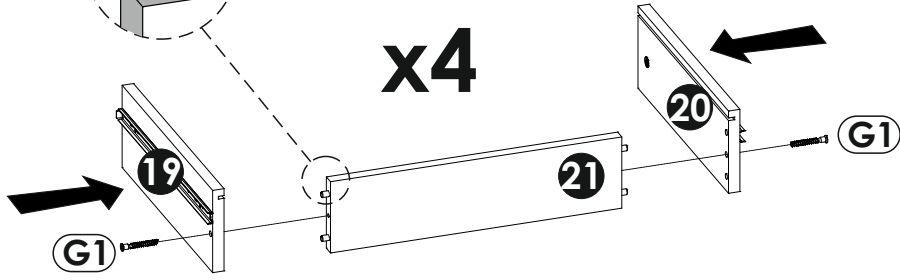
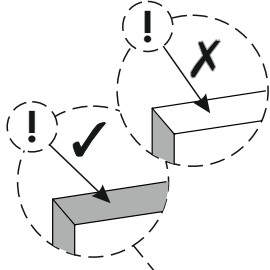
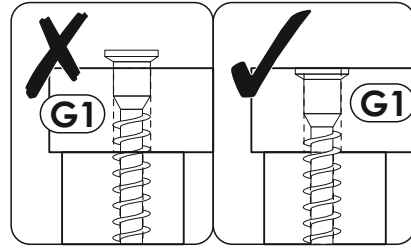
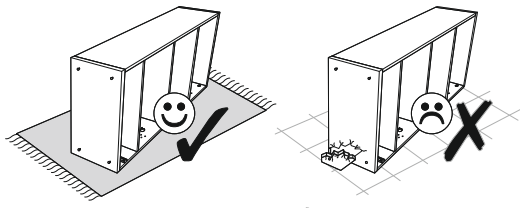
28 ▶



29 ▶

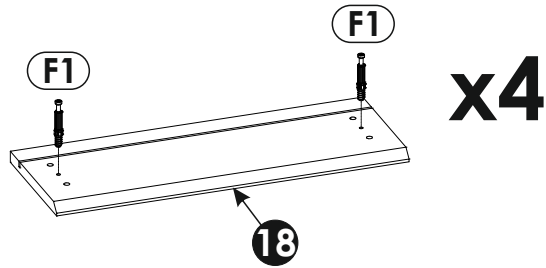
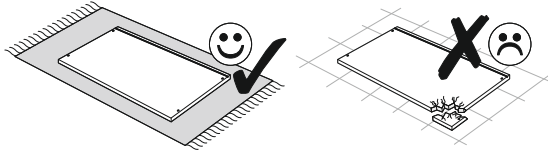


30 ▶



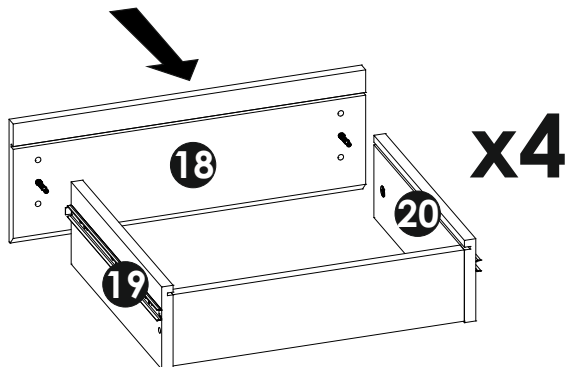
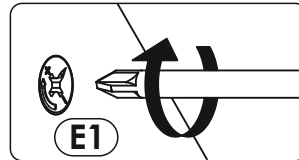
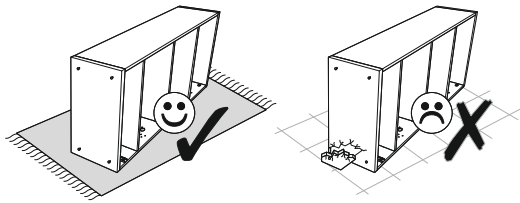
x4

31 ▶

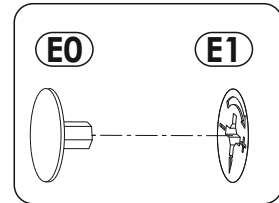


x4

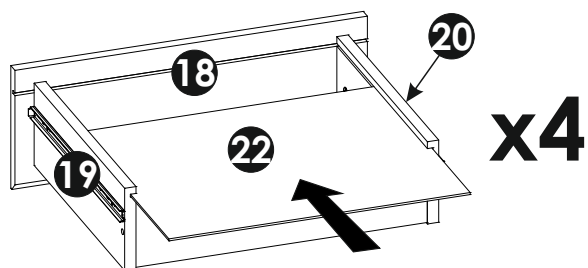
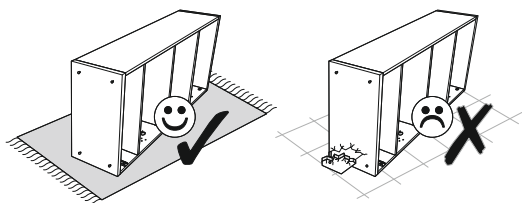
32 ▶



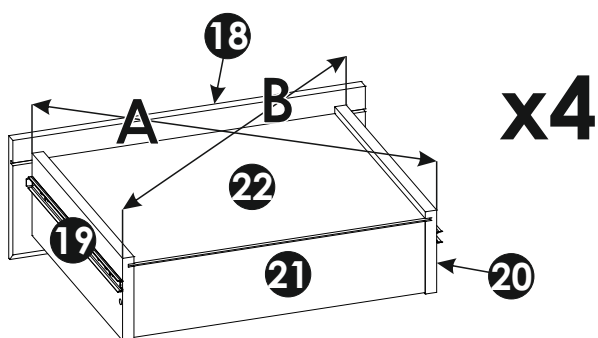
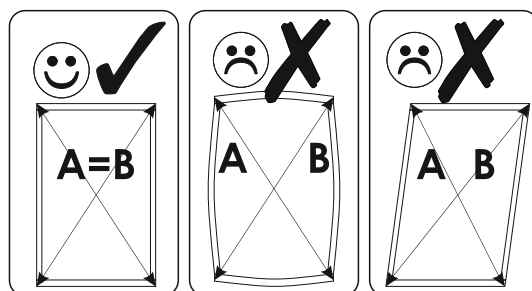
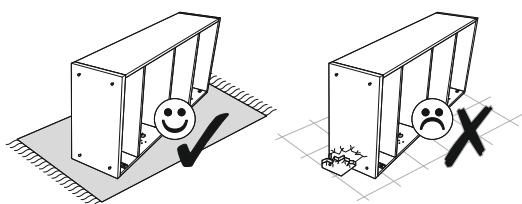
x4



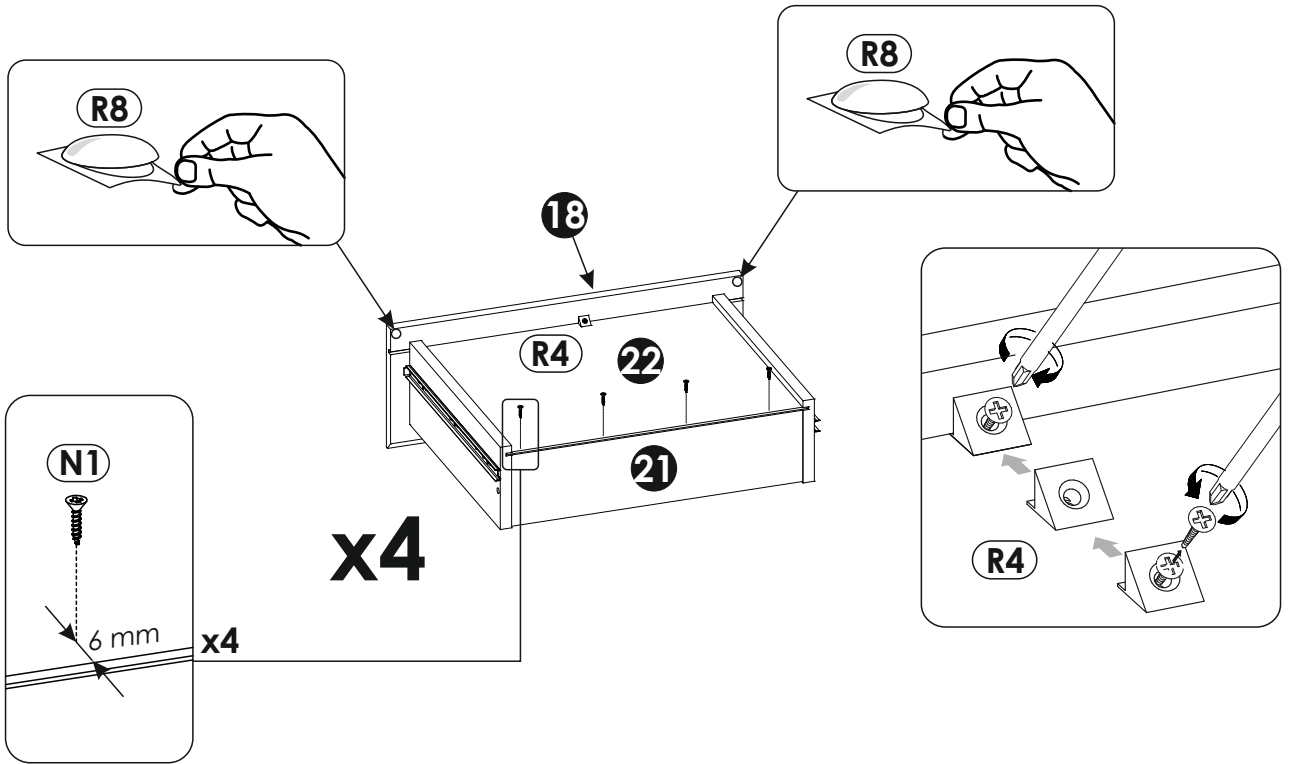
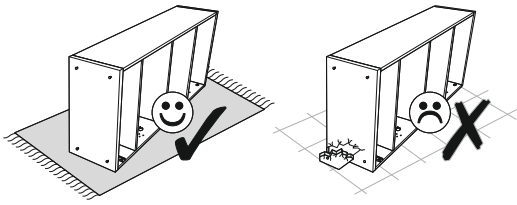
33 ▶



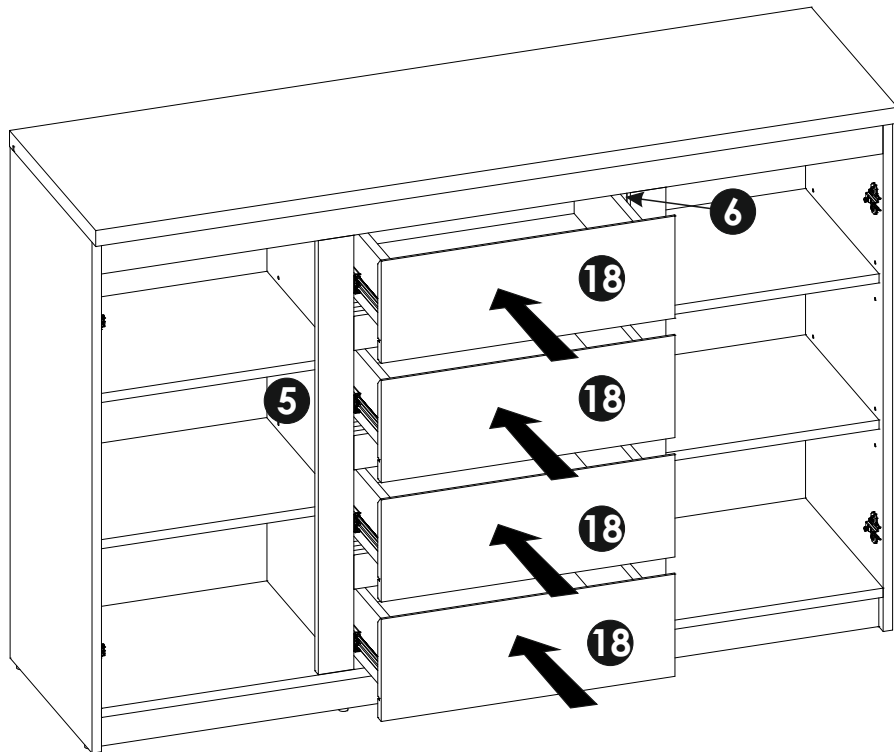
34 ▶



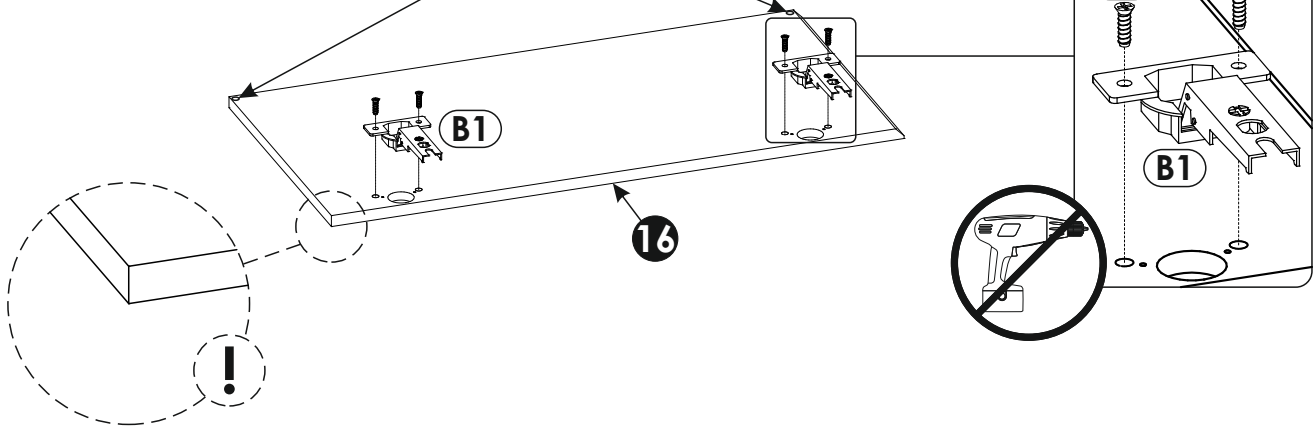
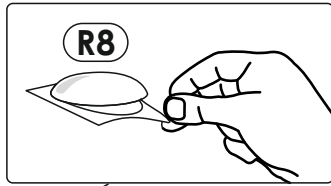
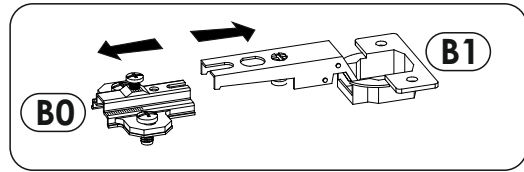
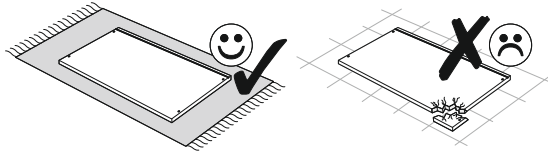
35▶



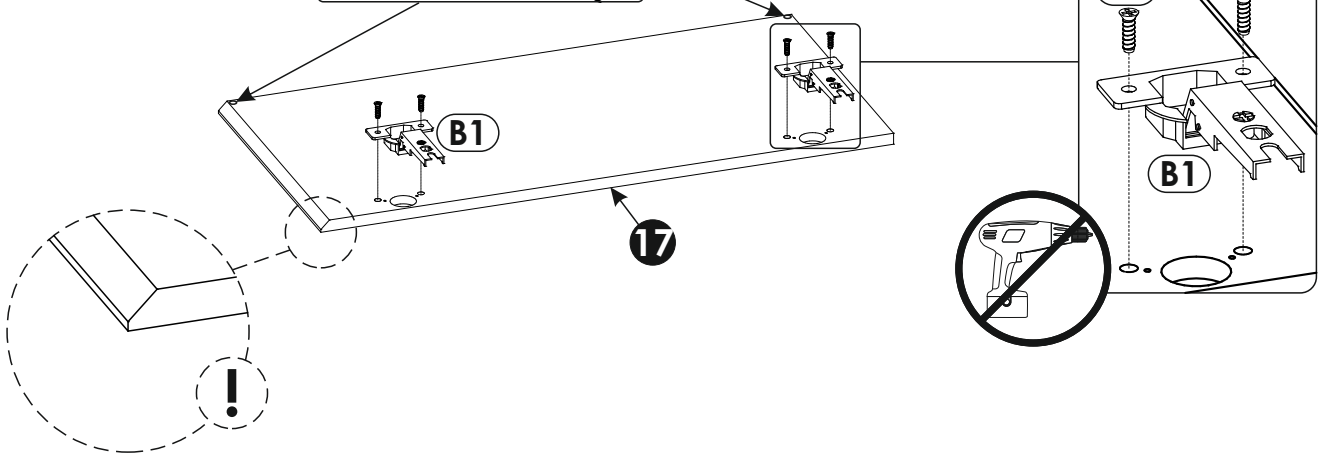
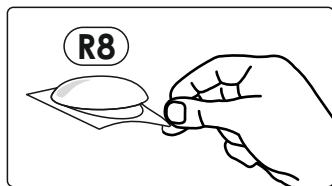
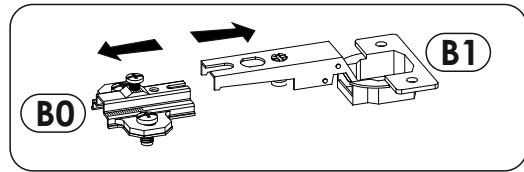
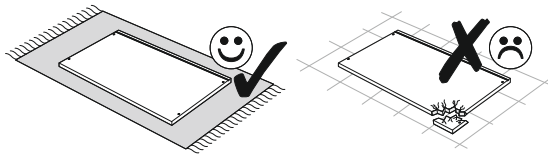
36▶



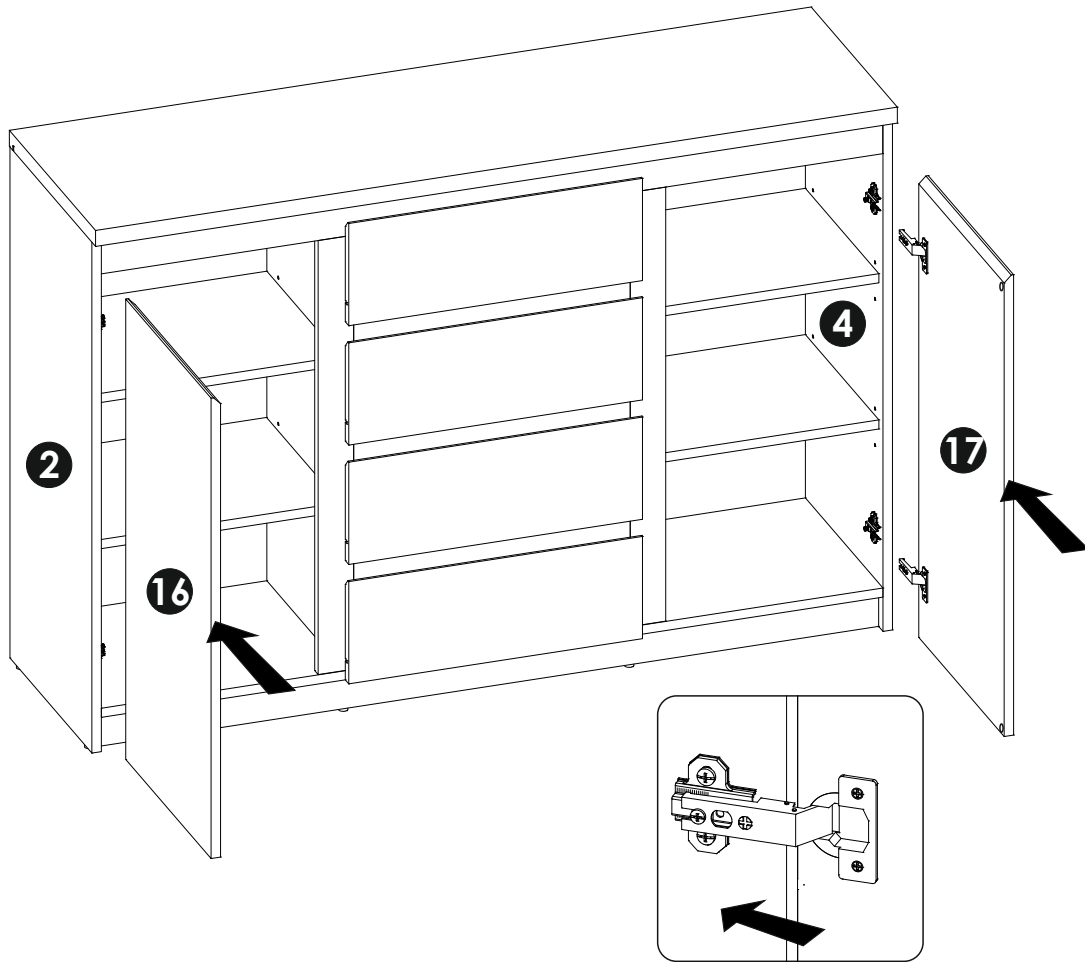
37▶



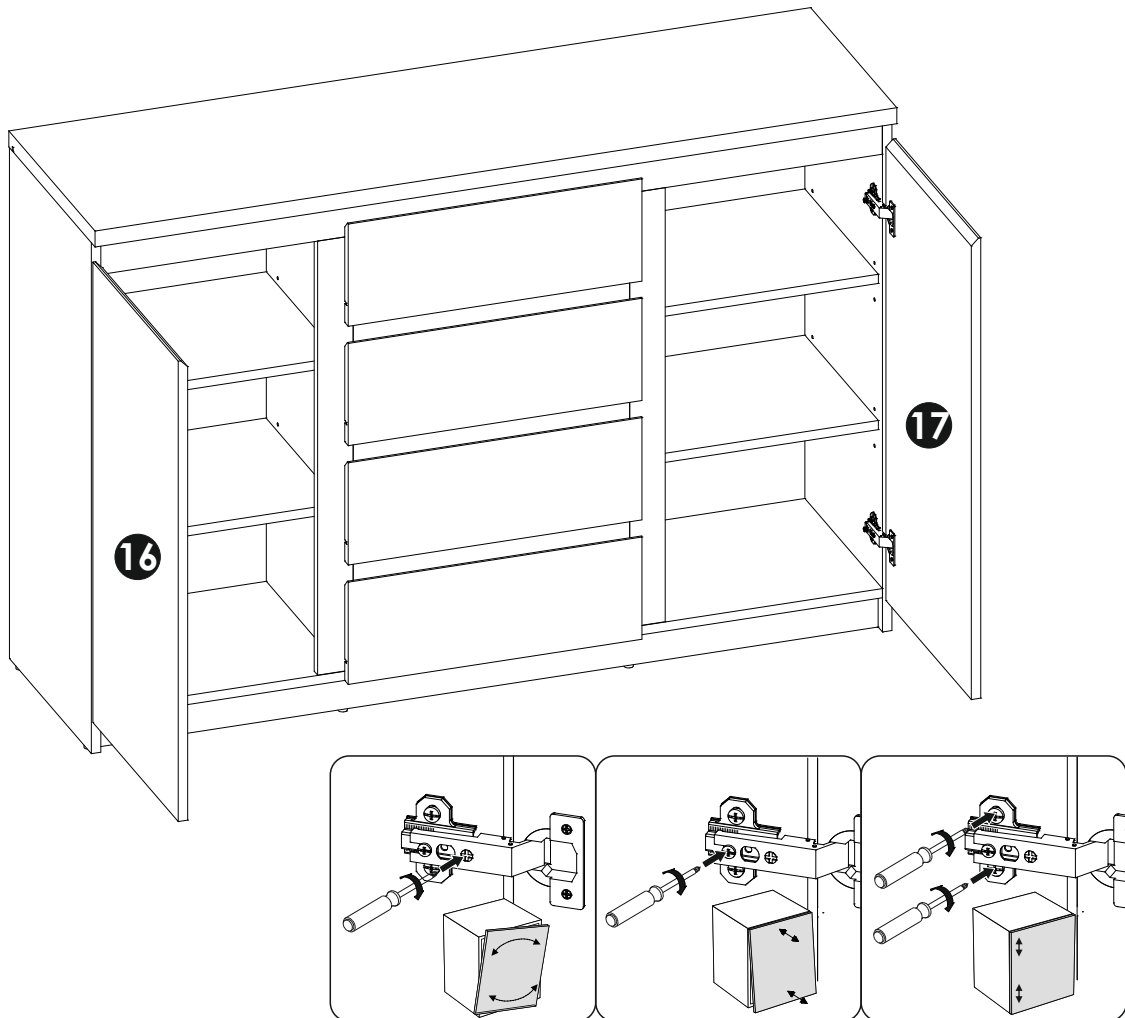
38▶



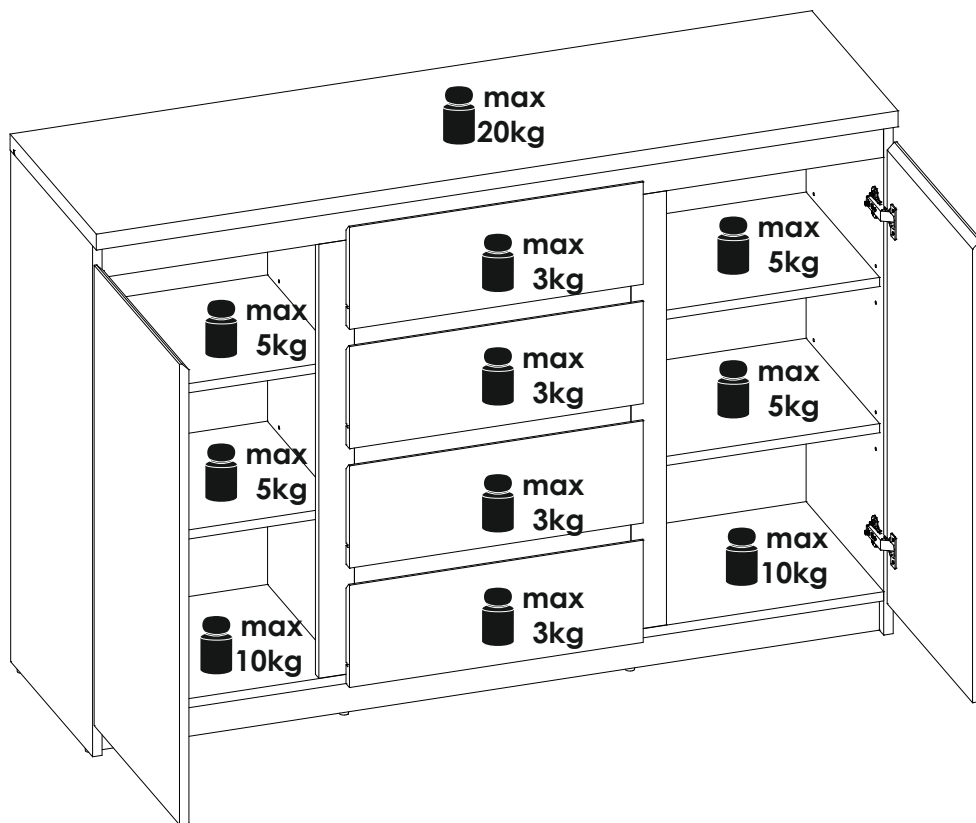
39▶

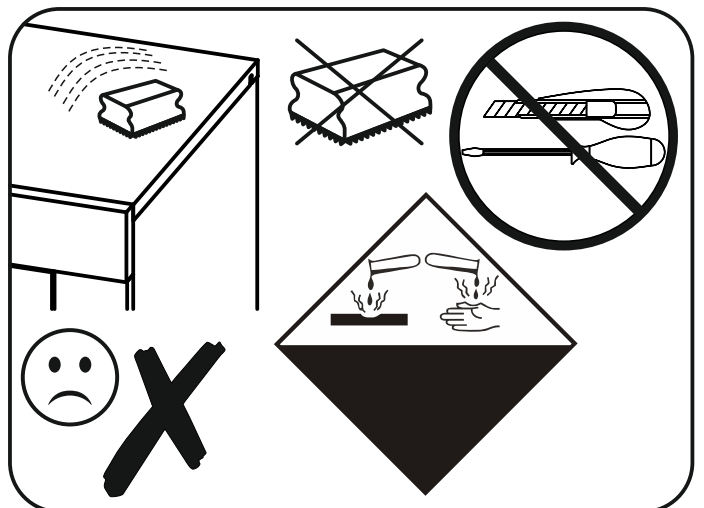
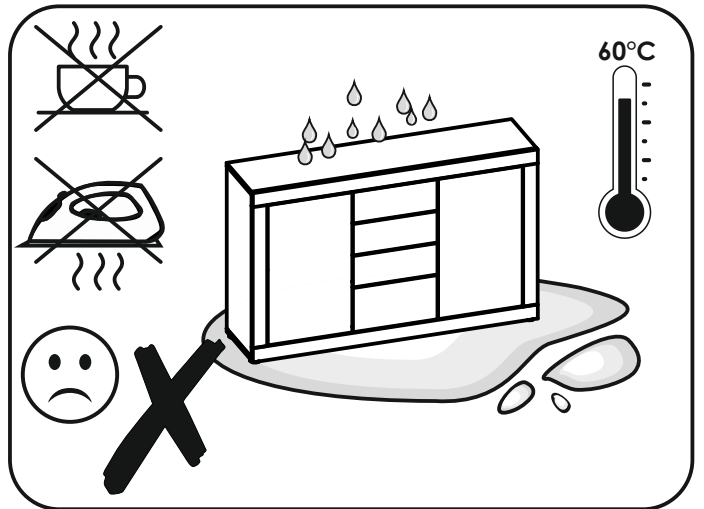
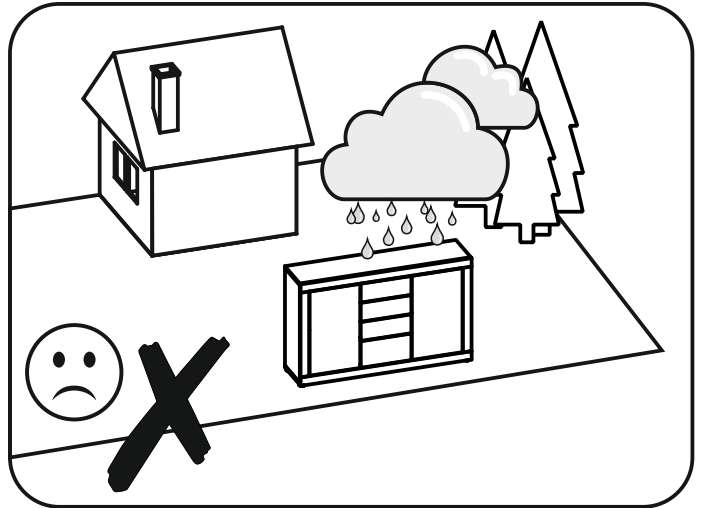


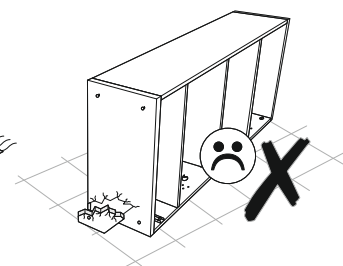
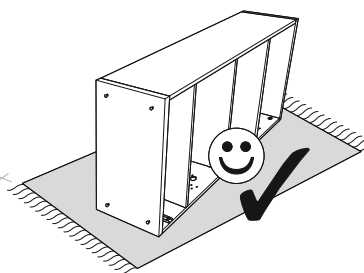
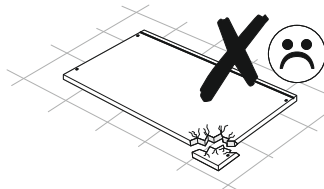
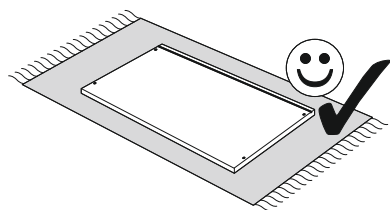
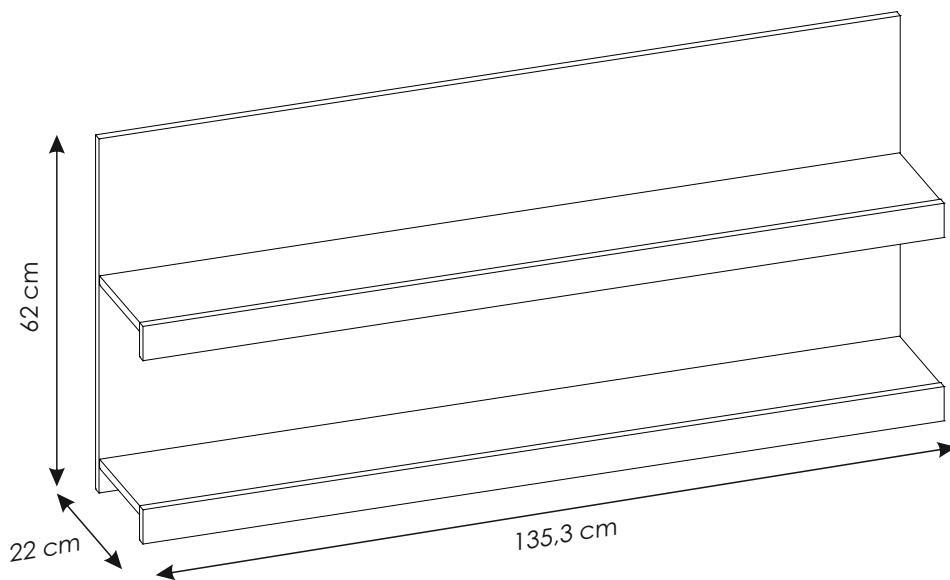
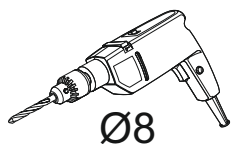
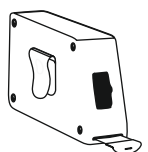
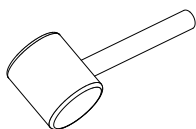
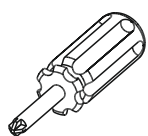
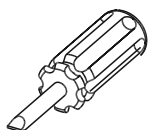
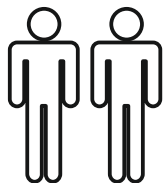
40▶

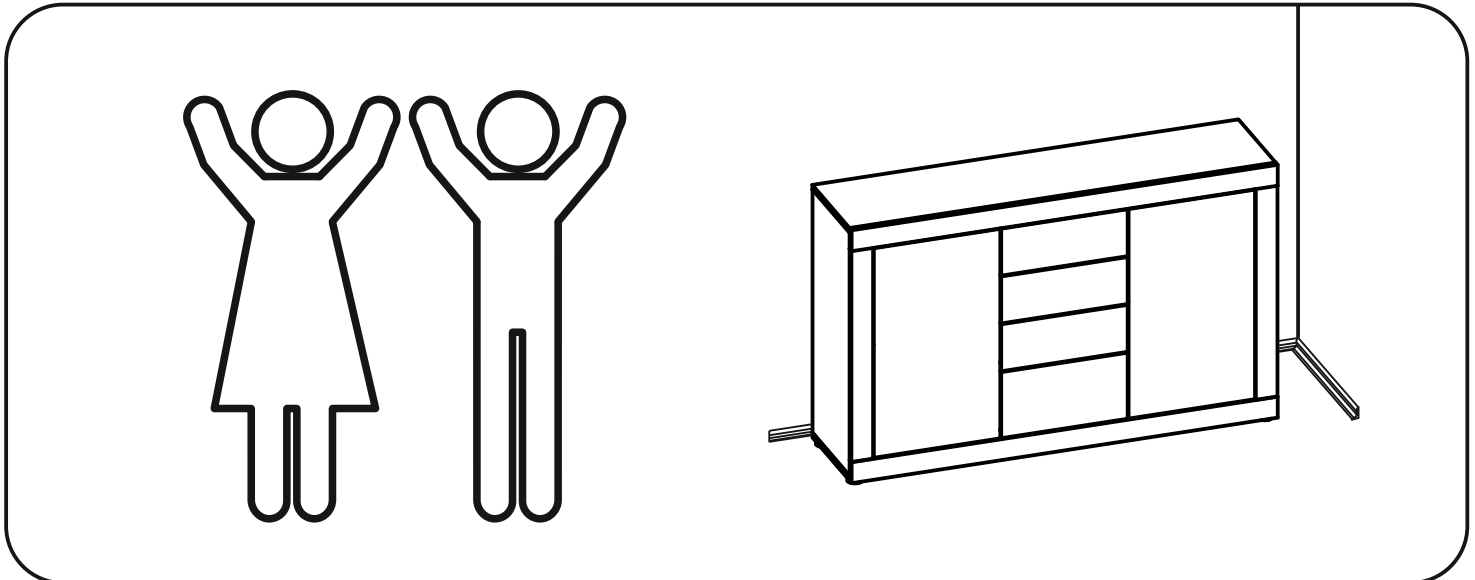
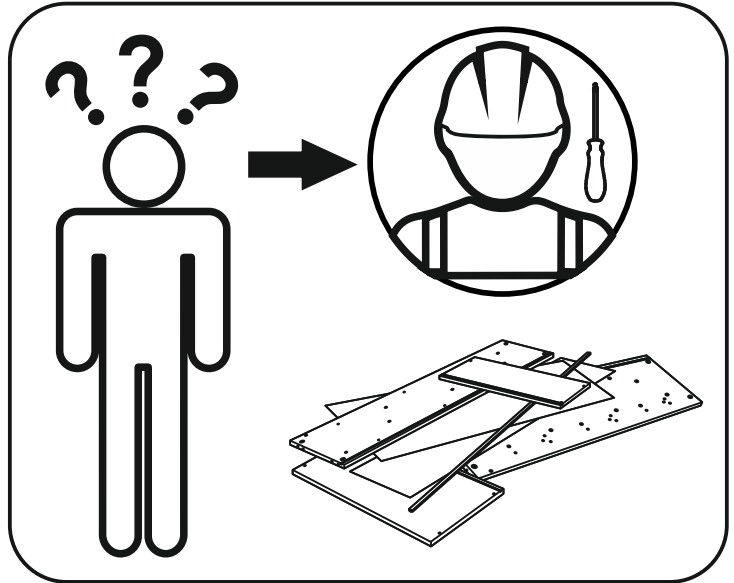
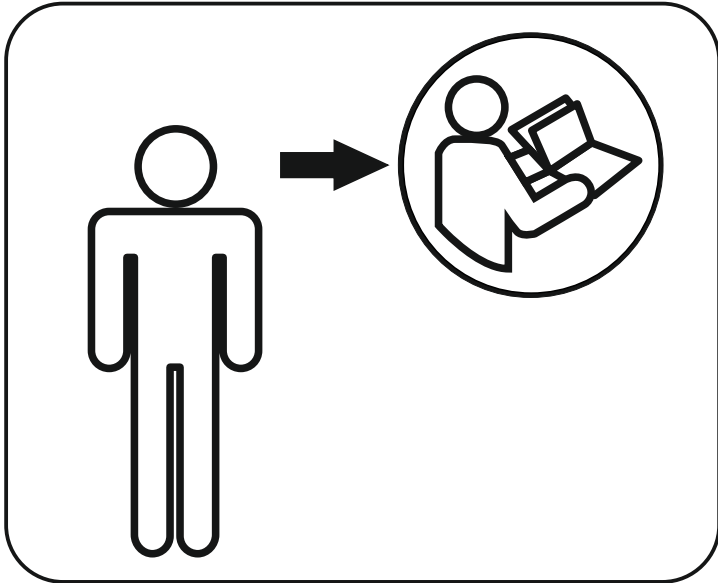
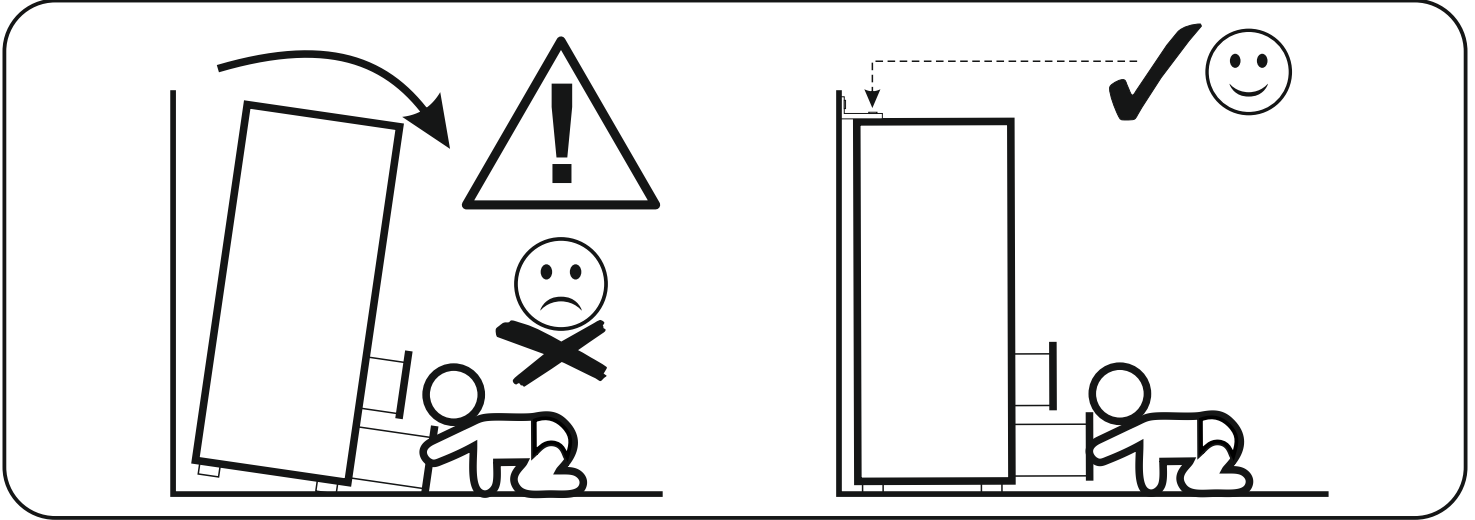
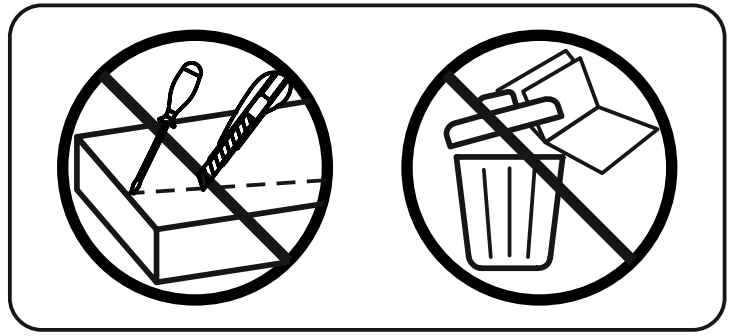
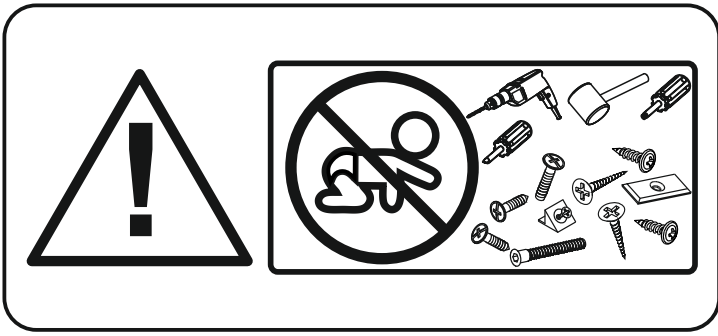




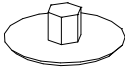

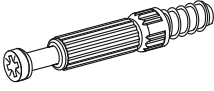
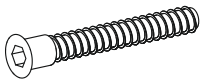
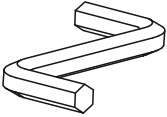


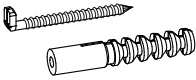
41 ▶

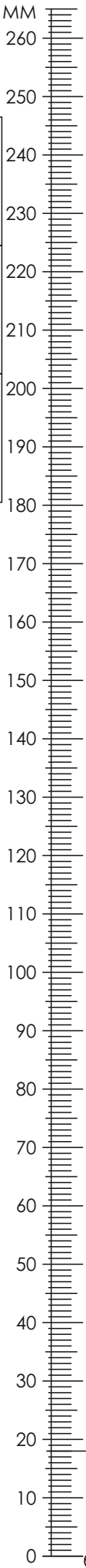


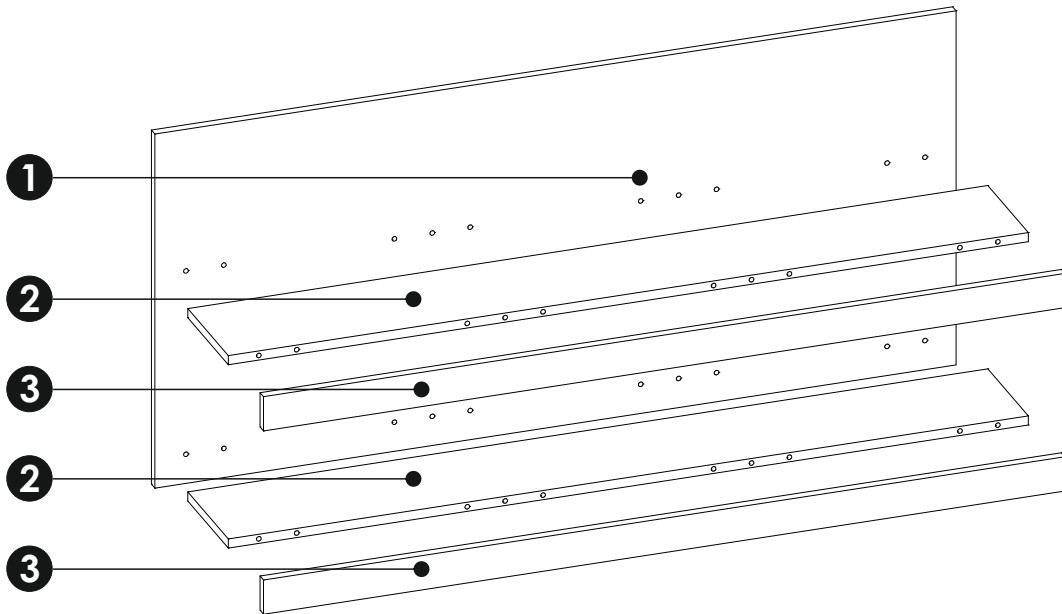
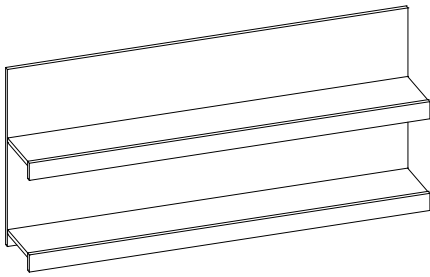




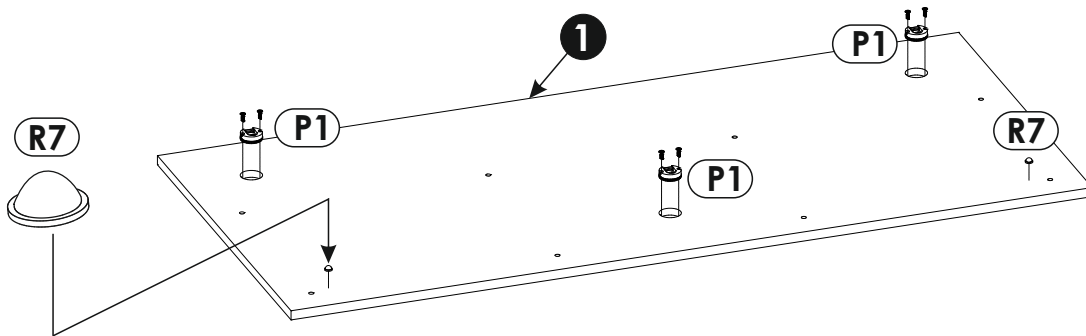
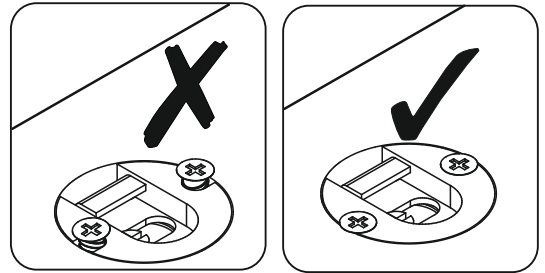
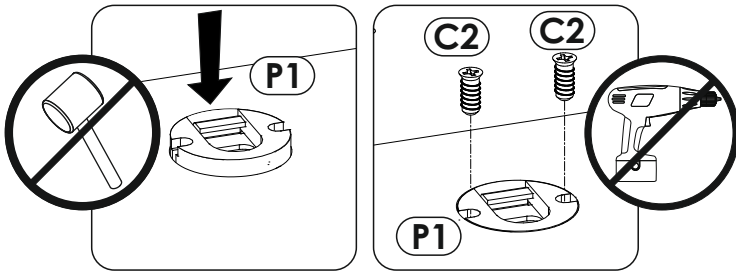
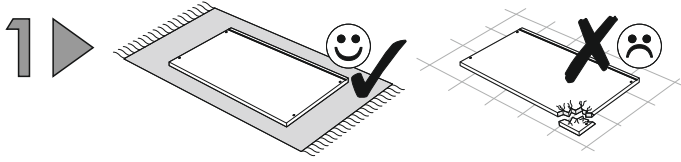
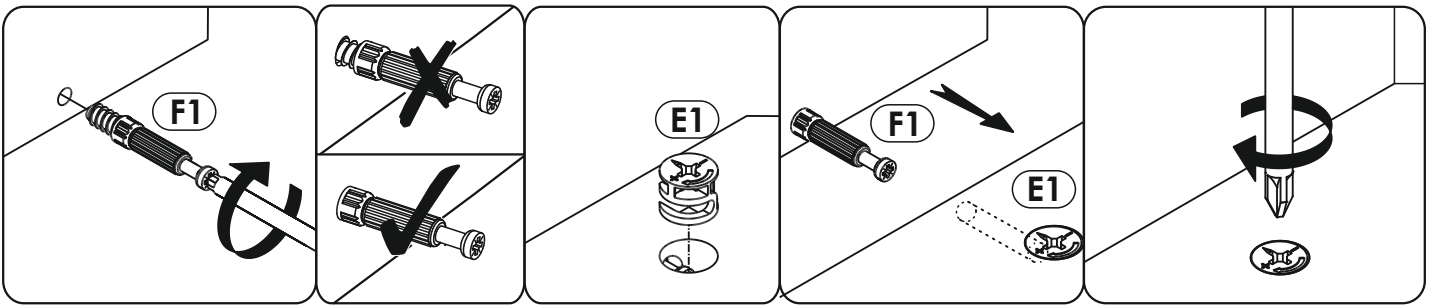


A1 8 x 35 mm x24 	C2 5 x 13 mm x6 	E0 Ø16 x8 
E1 15 x 12 mm x8 	F1 6 x 34 mm x8 	G2 7 x 60 mm x8 
M x1 	P1 x3 	R7 x2 
Y2 x3  Ø10		

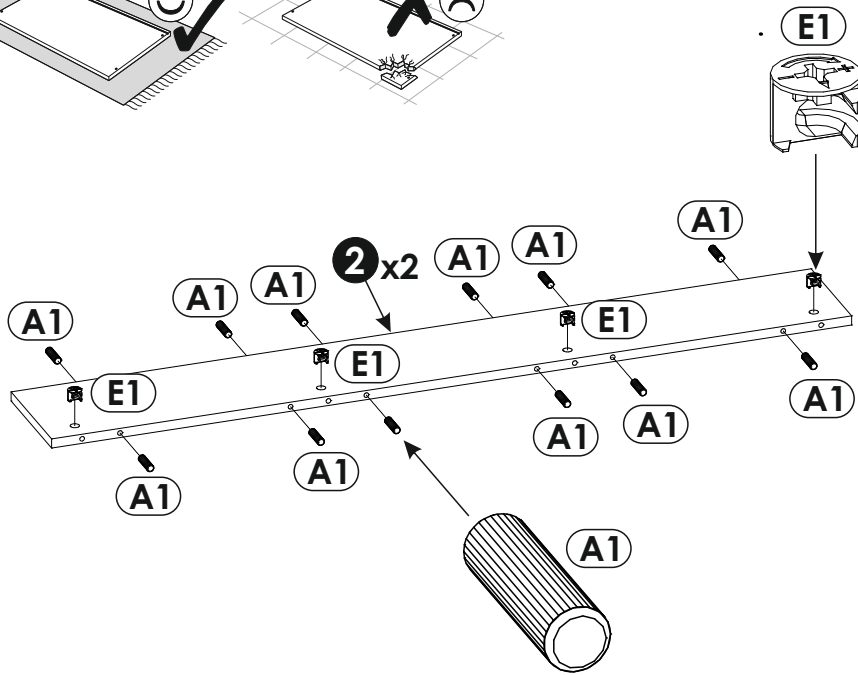
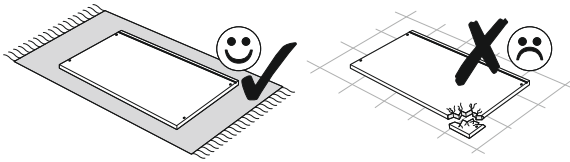




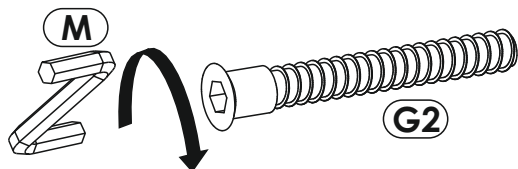
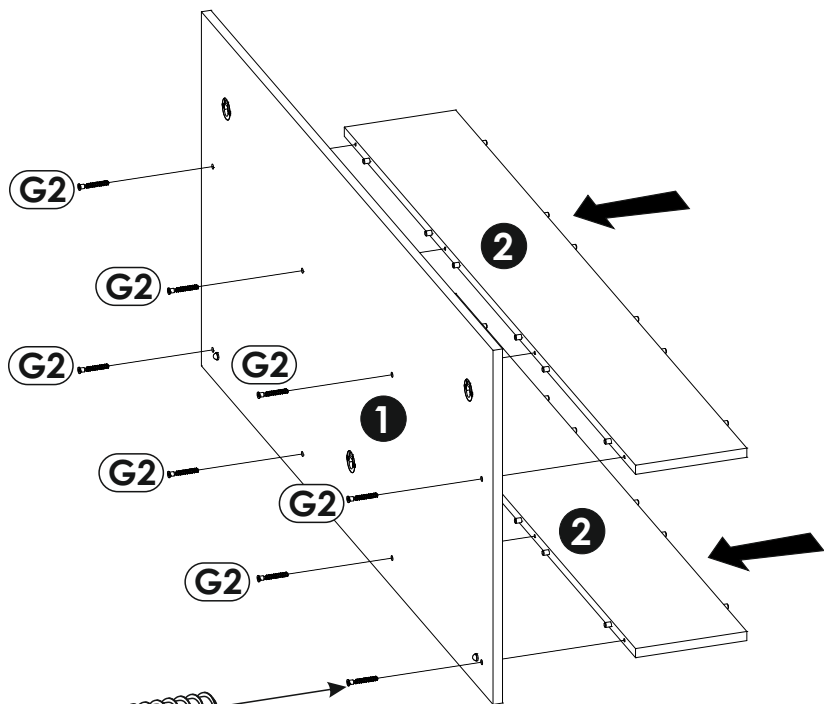
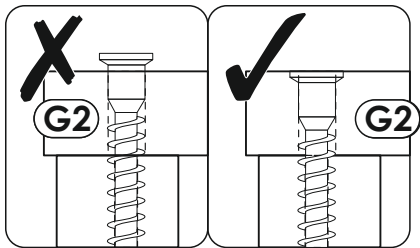
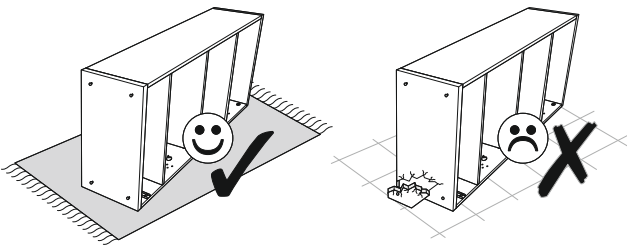
1	1353	620	16	x1	1/1
2	1351	188	16	x2	1/1
3	1353	60	16	x2	1/1



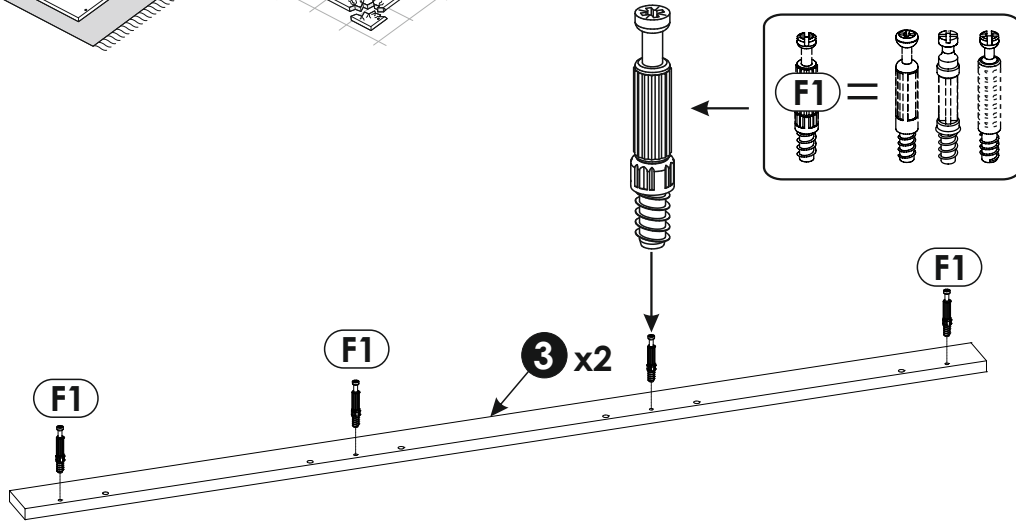
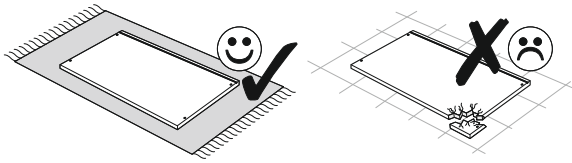
2 ▶



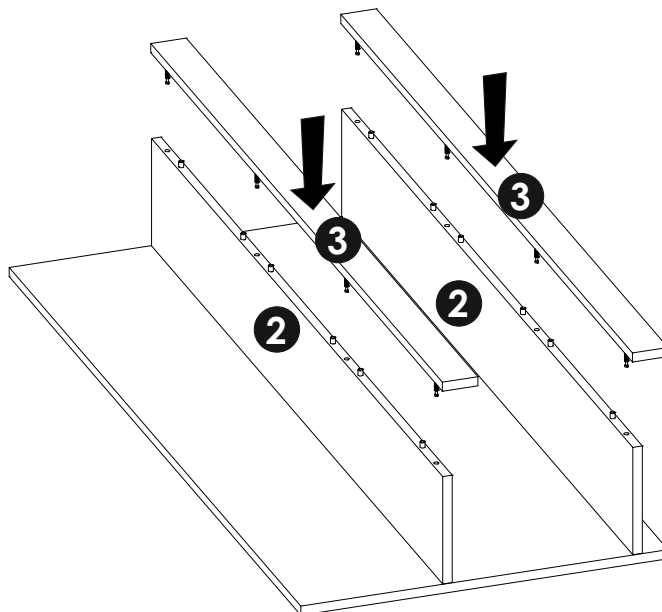
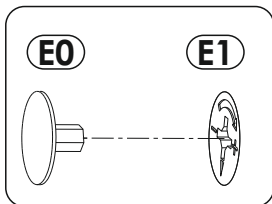
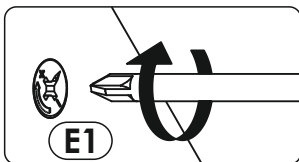
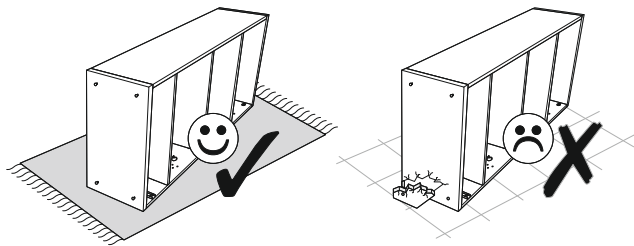
3 ▶



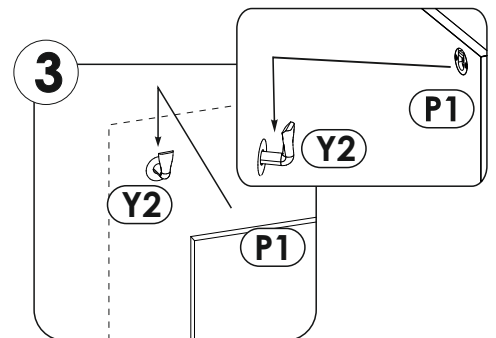
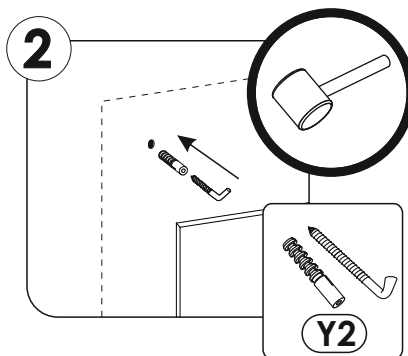
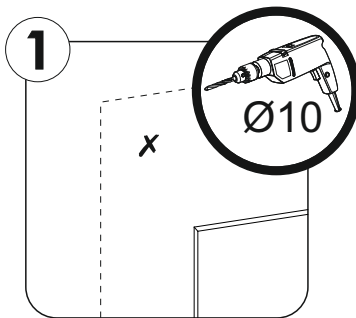
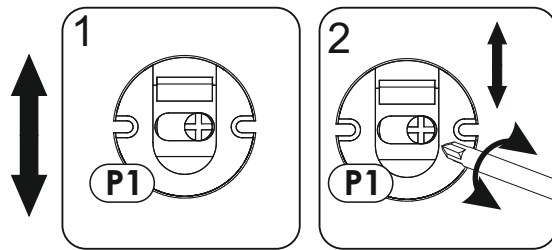
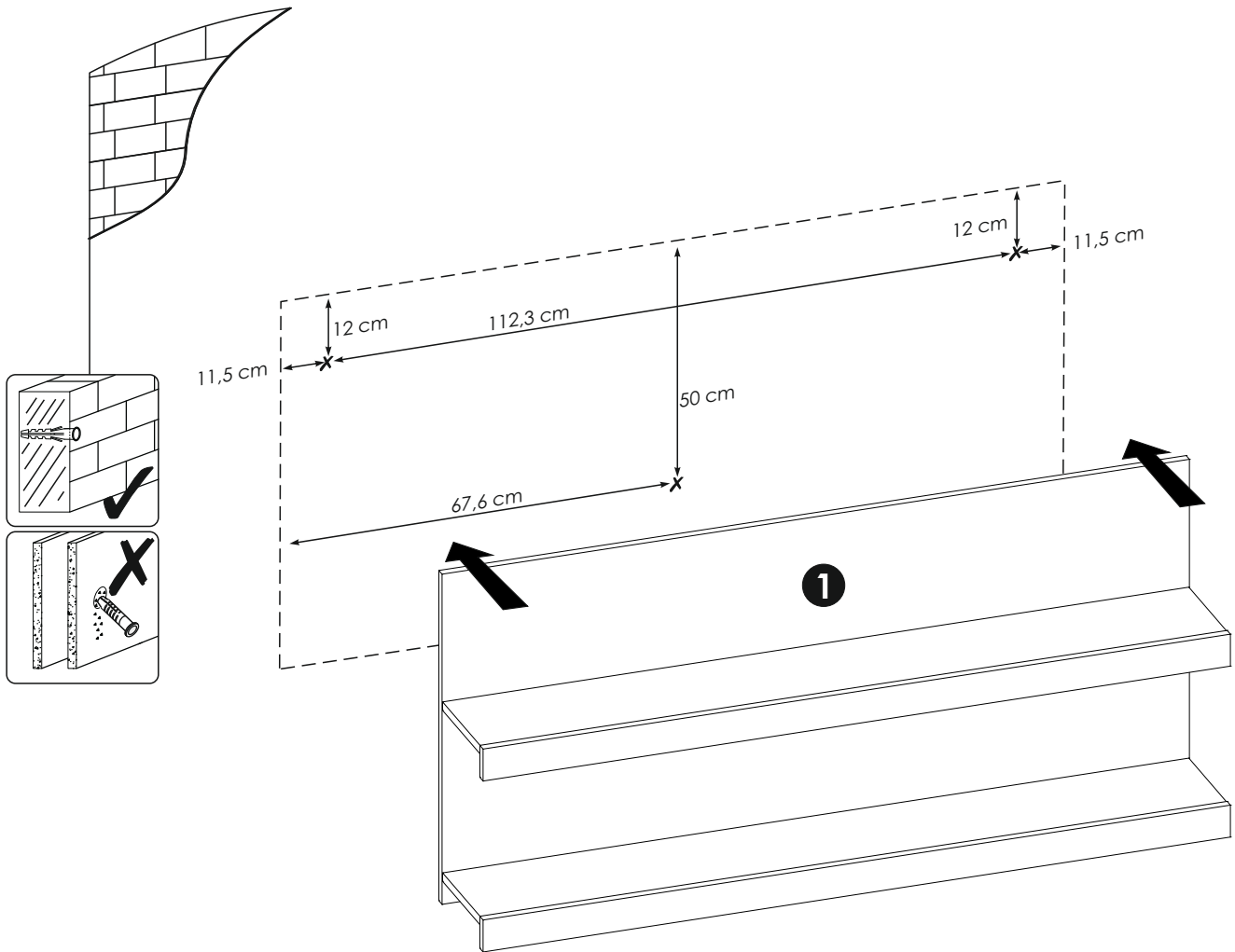
4 ▶

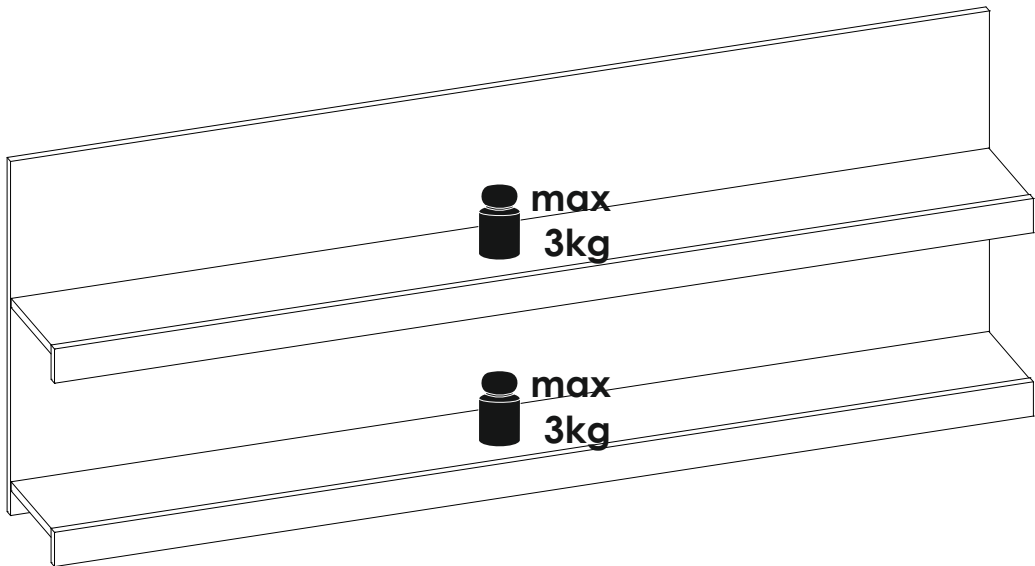


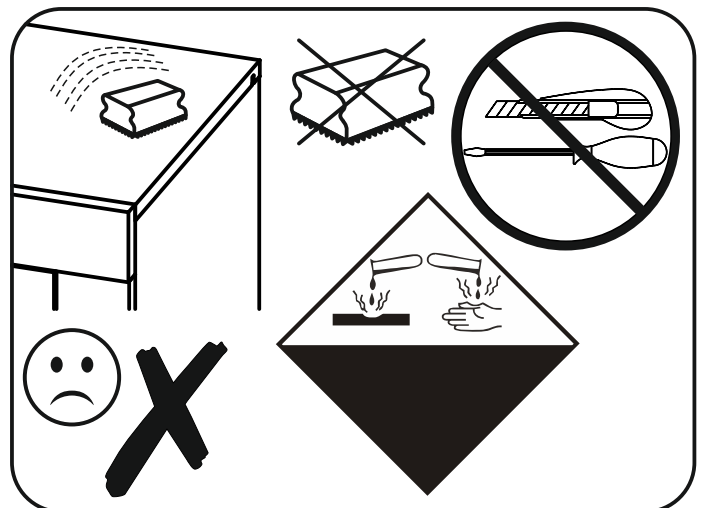
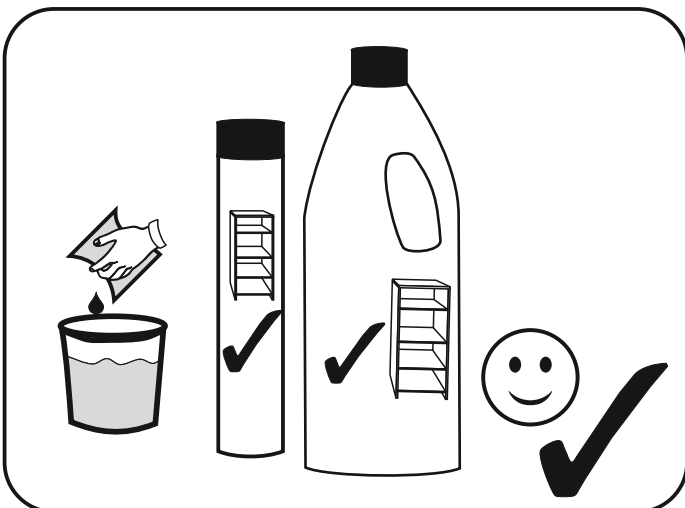
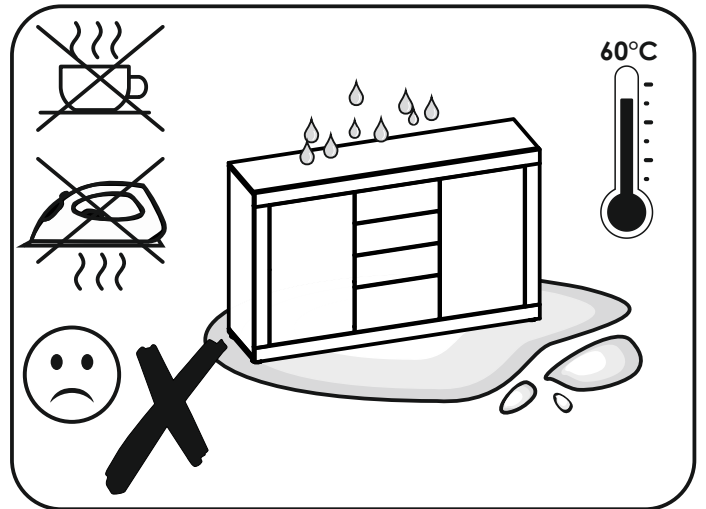
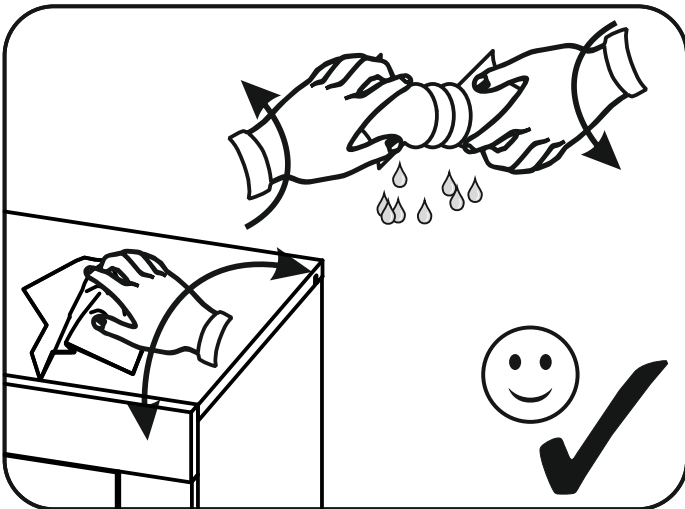
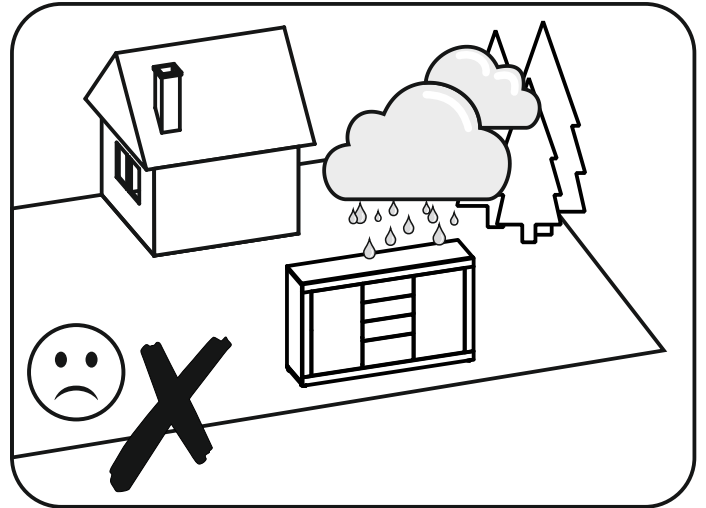
5 ▶

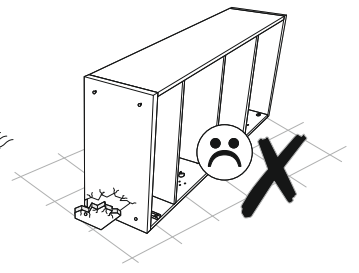
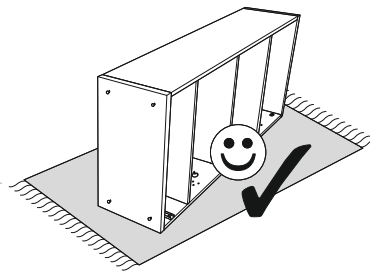
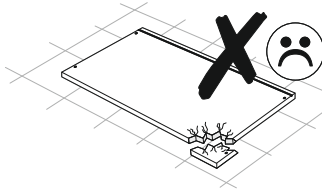
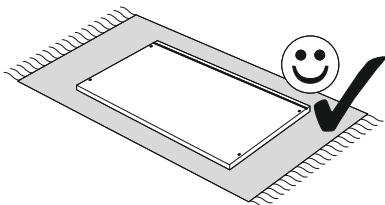
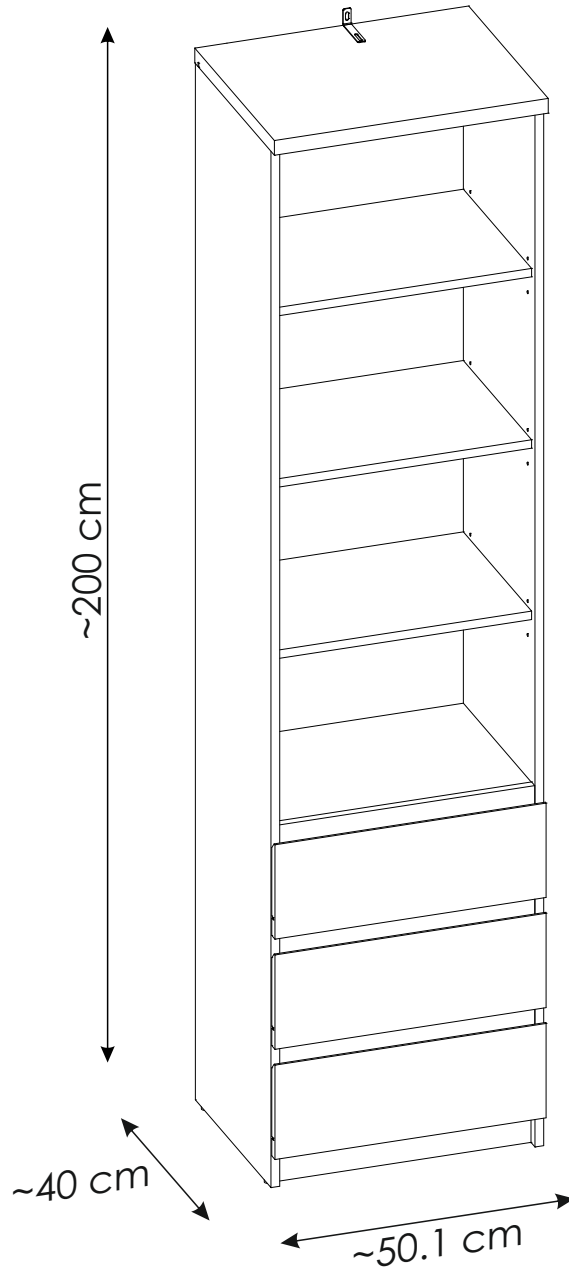
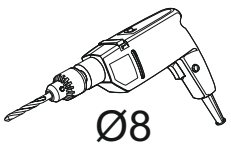
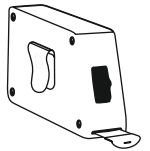
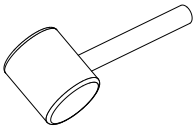
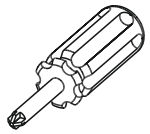
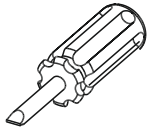
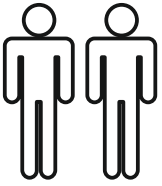


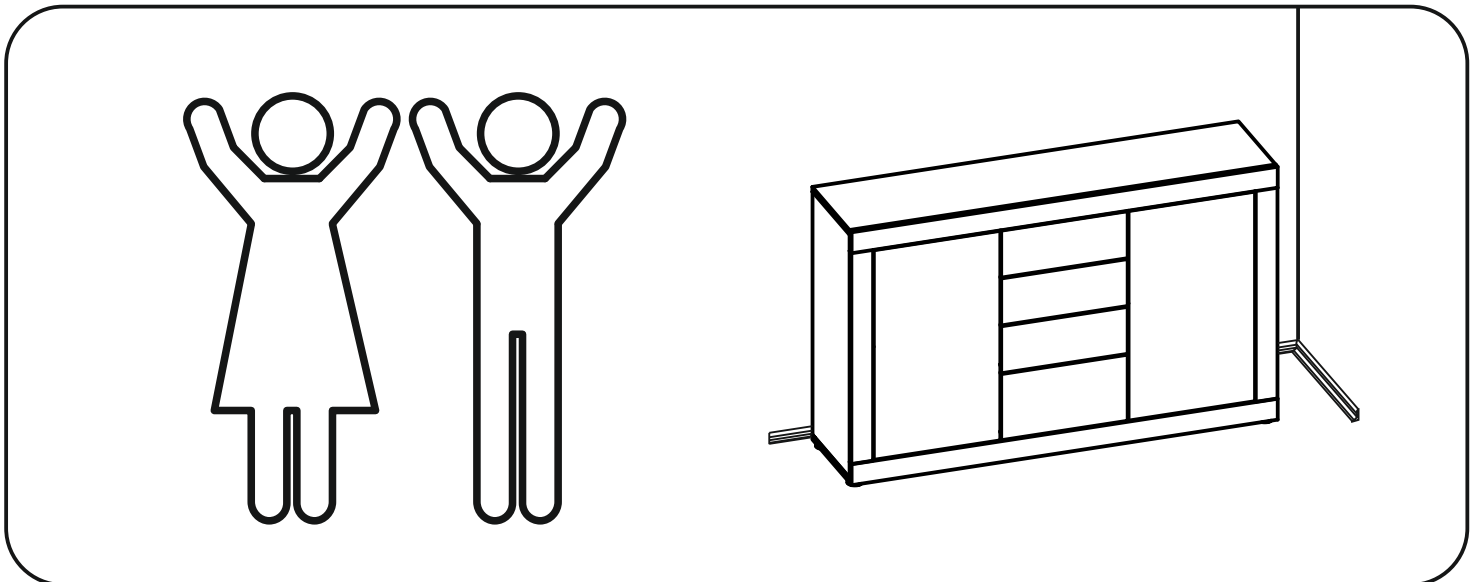
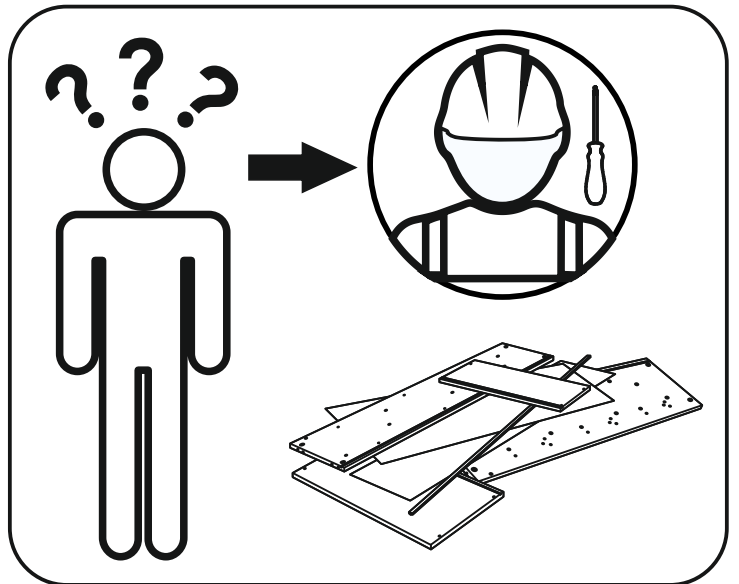
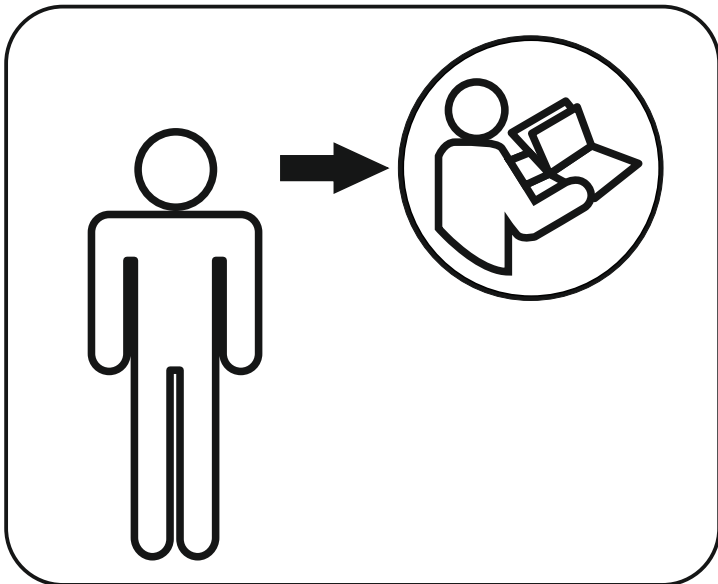
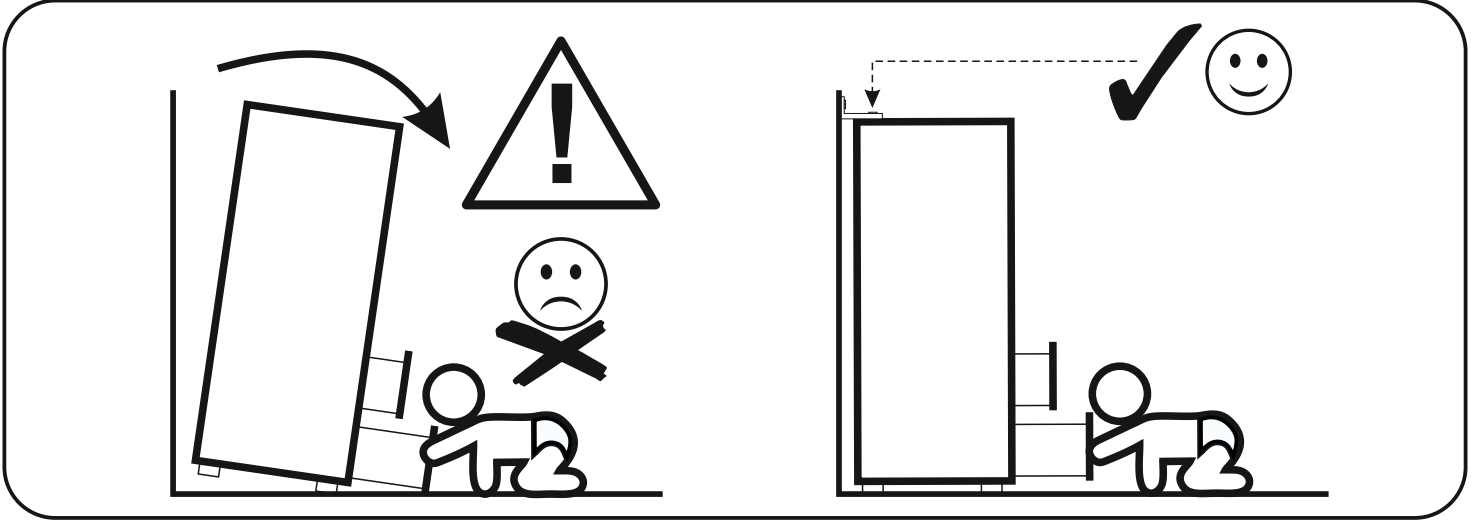
6 ▶



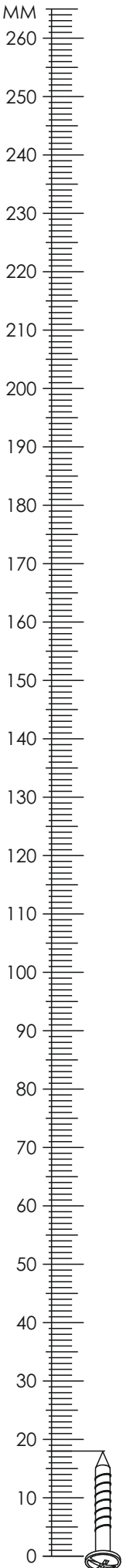


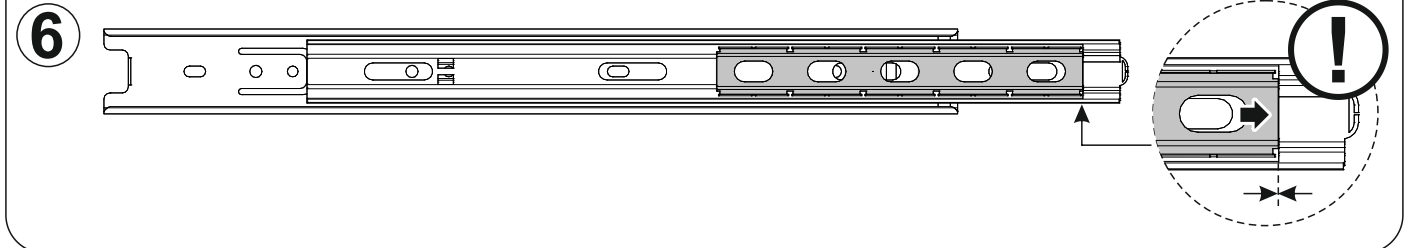
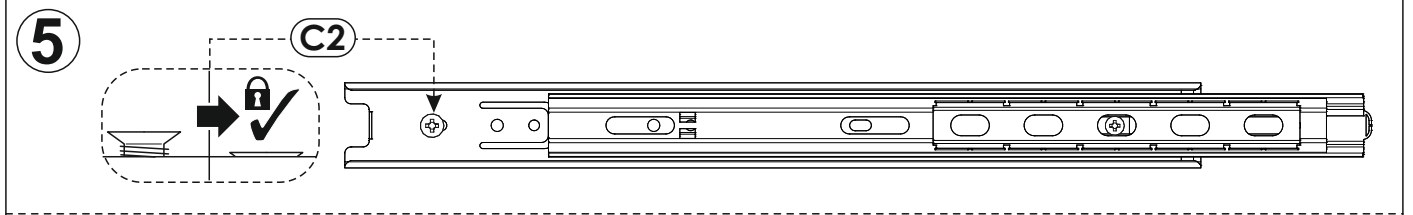
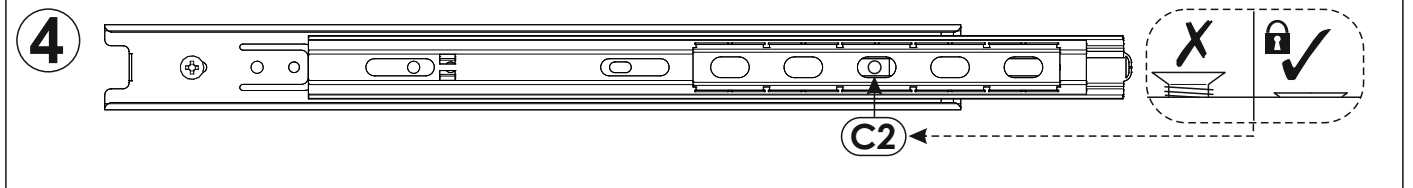
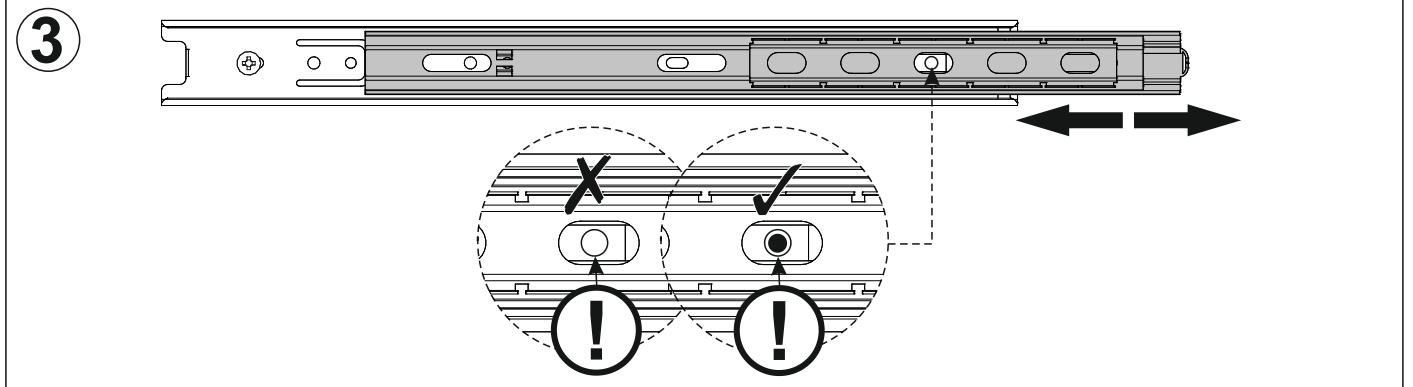
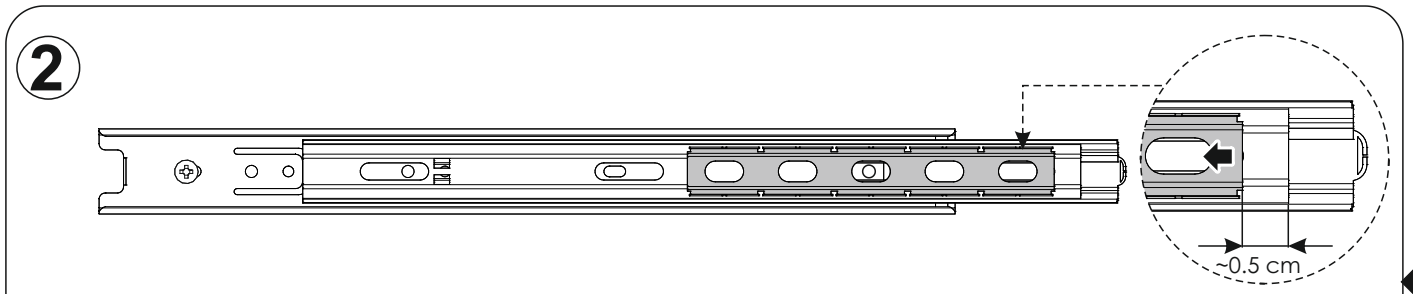
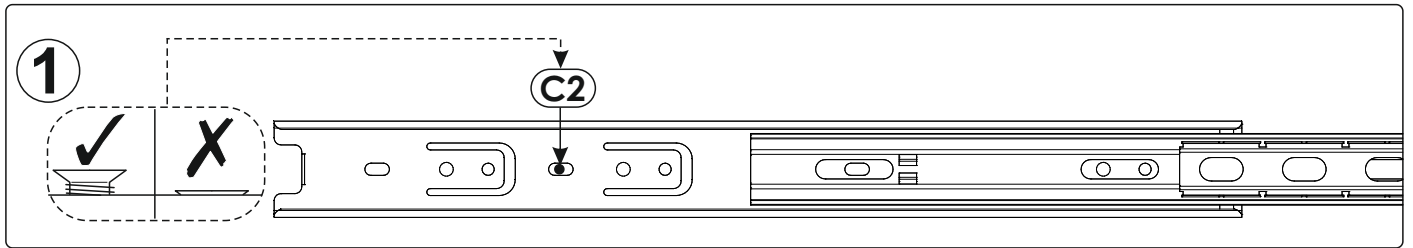
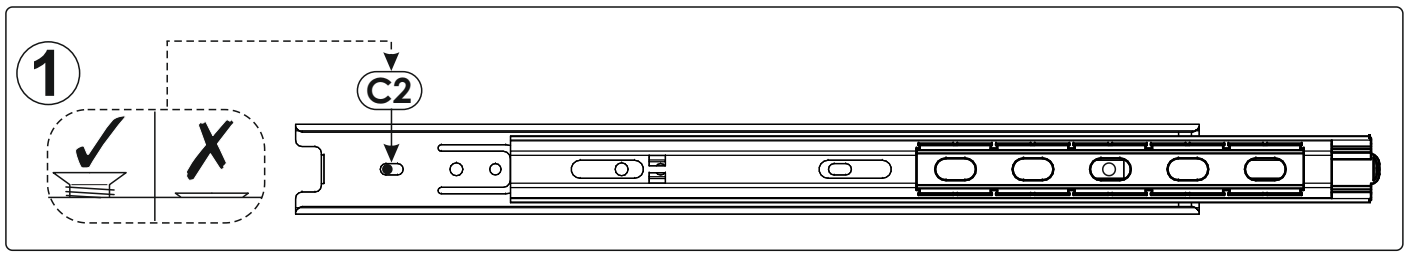


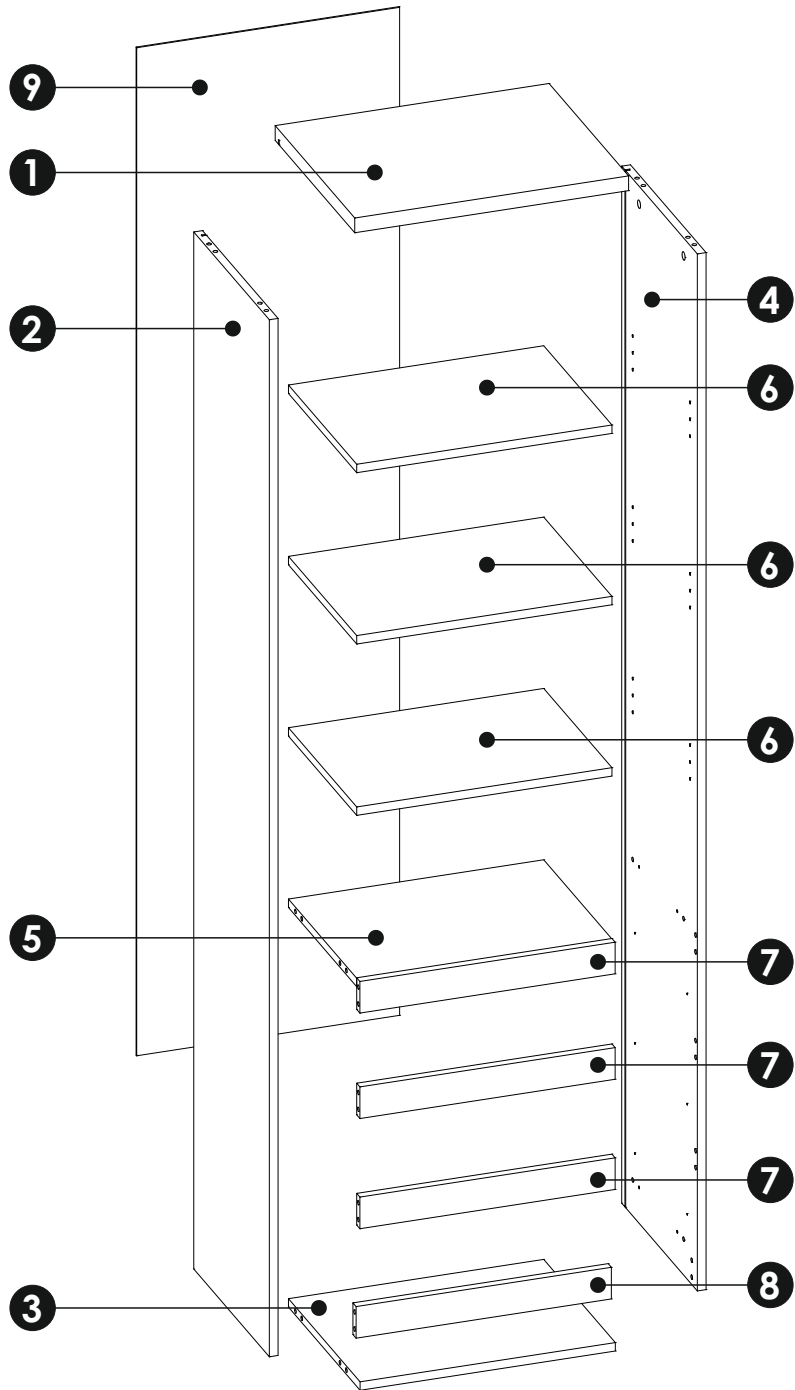
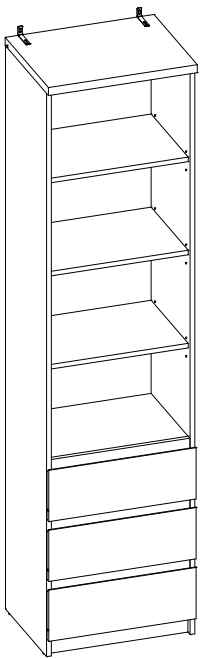




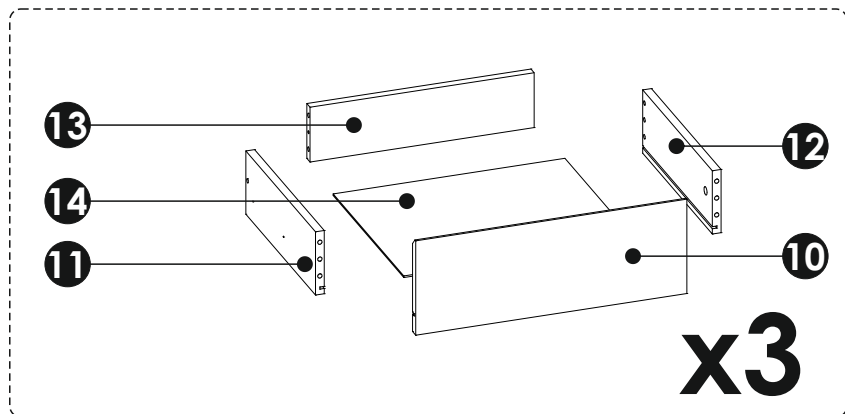
A1	8 x 35 mm	x52	C2	5 x 13 mm	x12	D6		x12
E0		x10	E1	15 x 12 mm	x18	F1	6 x 34 mm	x18
G1	7 x 50 mm	x6	I2	4 x 16 mm	x1	J4	3,5 x 16 mm	x18
M		x1	N1	3 X 16 mm	x20	O2		x4
PW	L - 350 mm	x6	Q9		x1	R4		x14
R8		x6	S13		x1	Z		x1

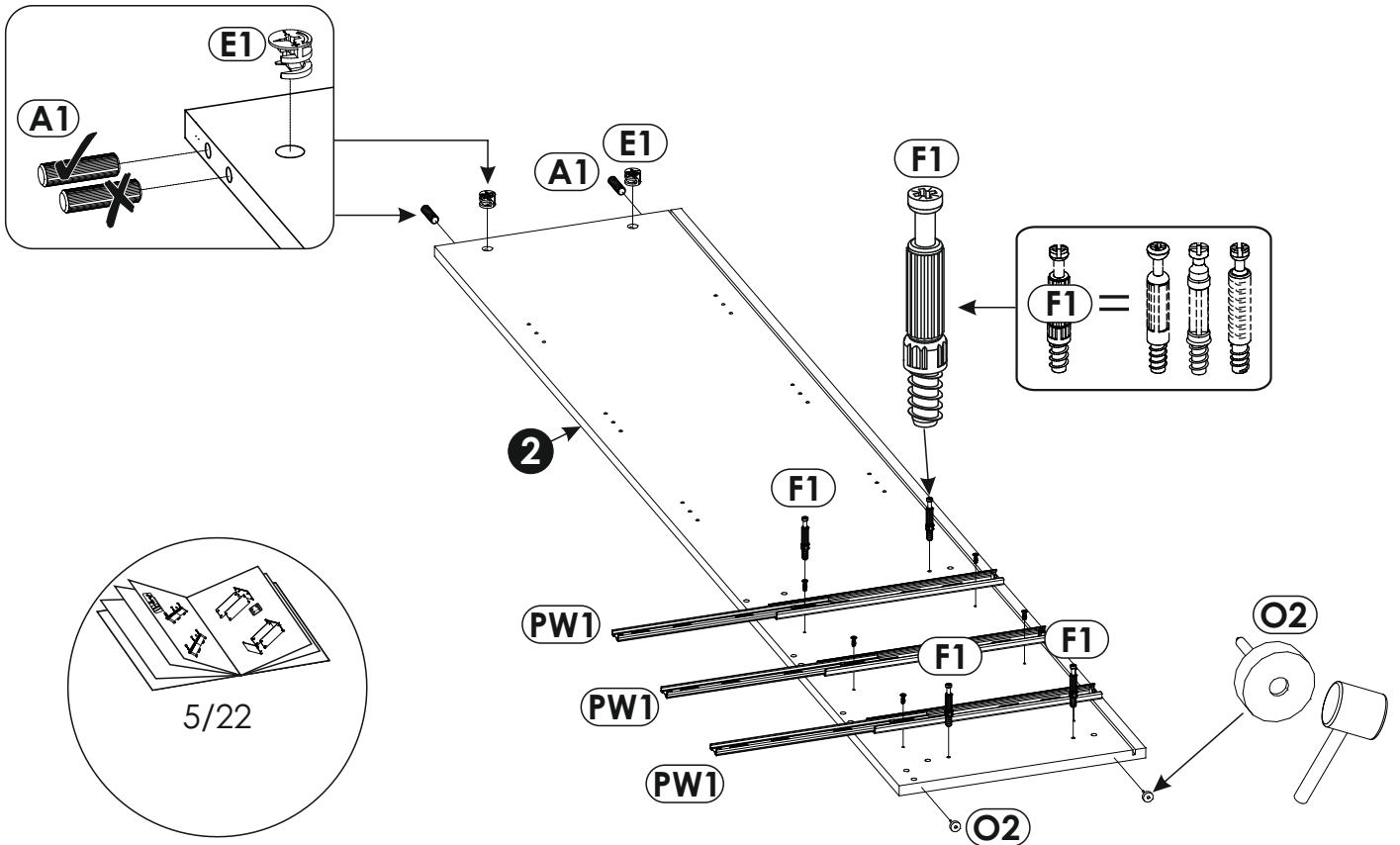
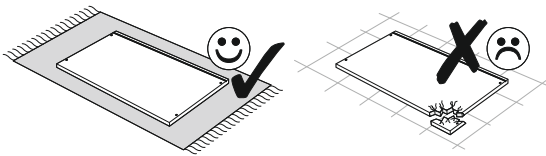
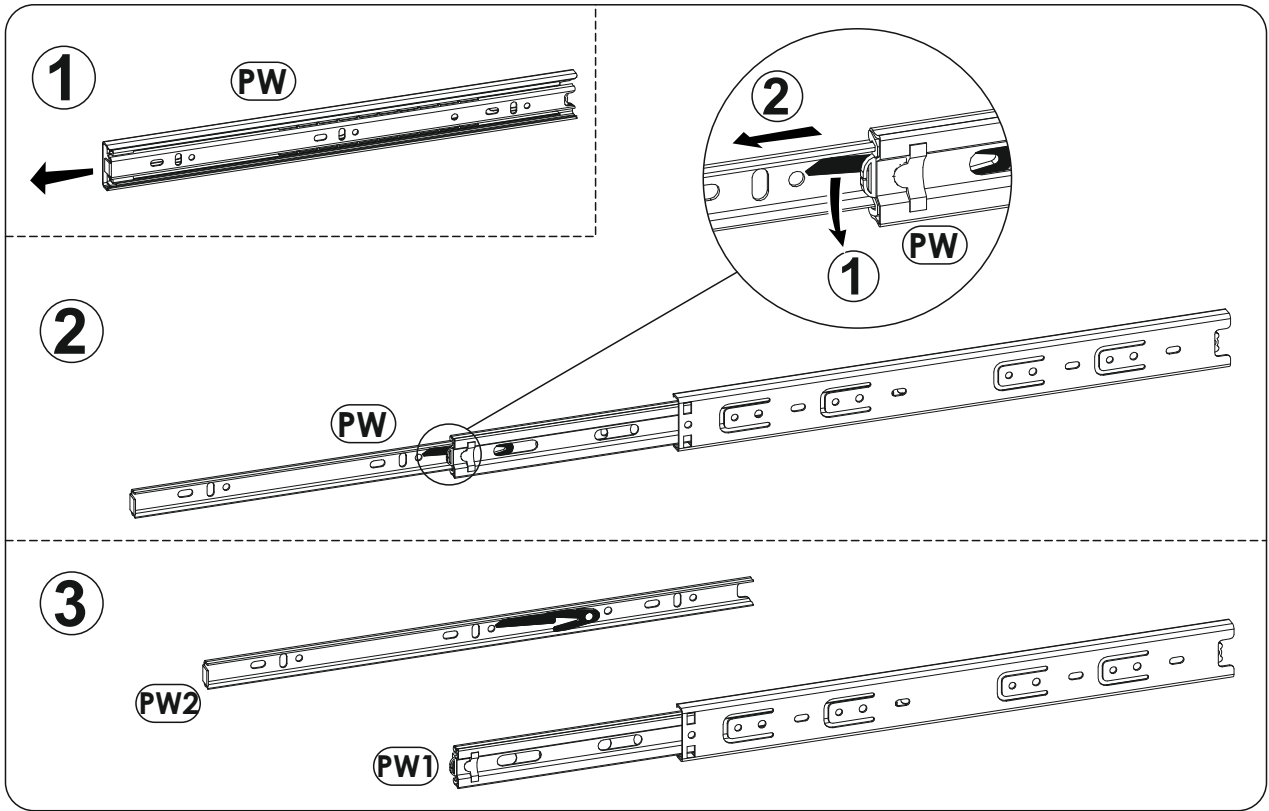




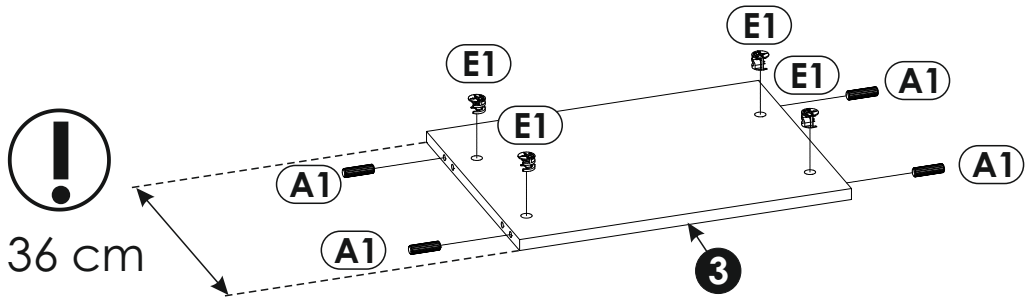
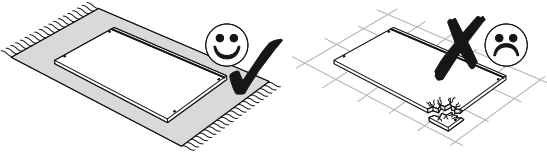


1	501	400	28	x1	1/2
2	1967	380	16	x1	2/2
3	467	360	16	x1	1/2
4	1967	380	16	x1	2/2
5	467	343	16	x1	2/2
6	467	343	16	x3	2/2
7	467	60	16	x3	1/2
8	467	60	16	x1	1/2
9	1912	481	3	x1	2/2
10	496	179	16	x3	1/2
11	350	120	16	x3	1/2
12	350	120	16	x3	1/2
13	410	104	16	x3	1/2
14	424	355	3	x3	1/2

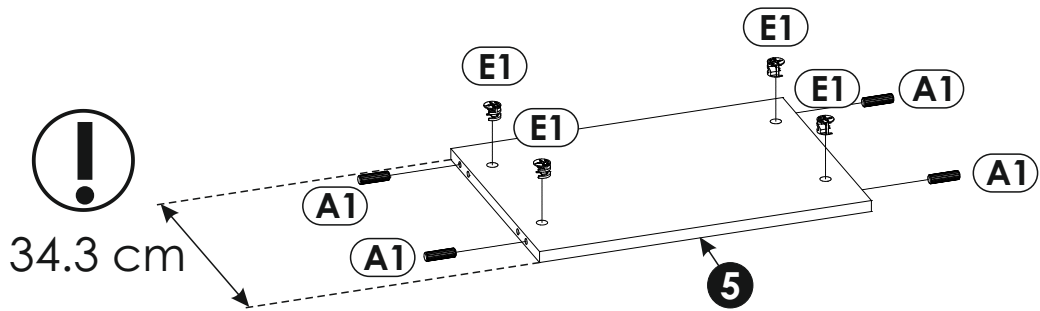
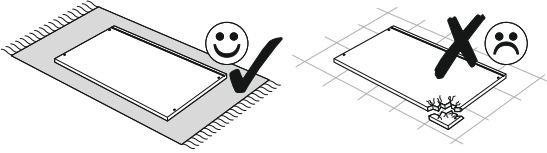


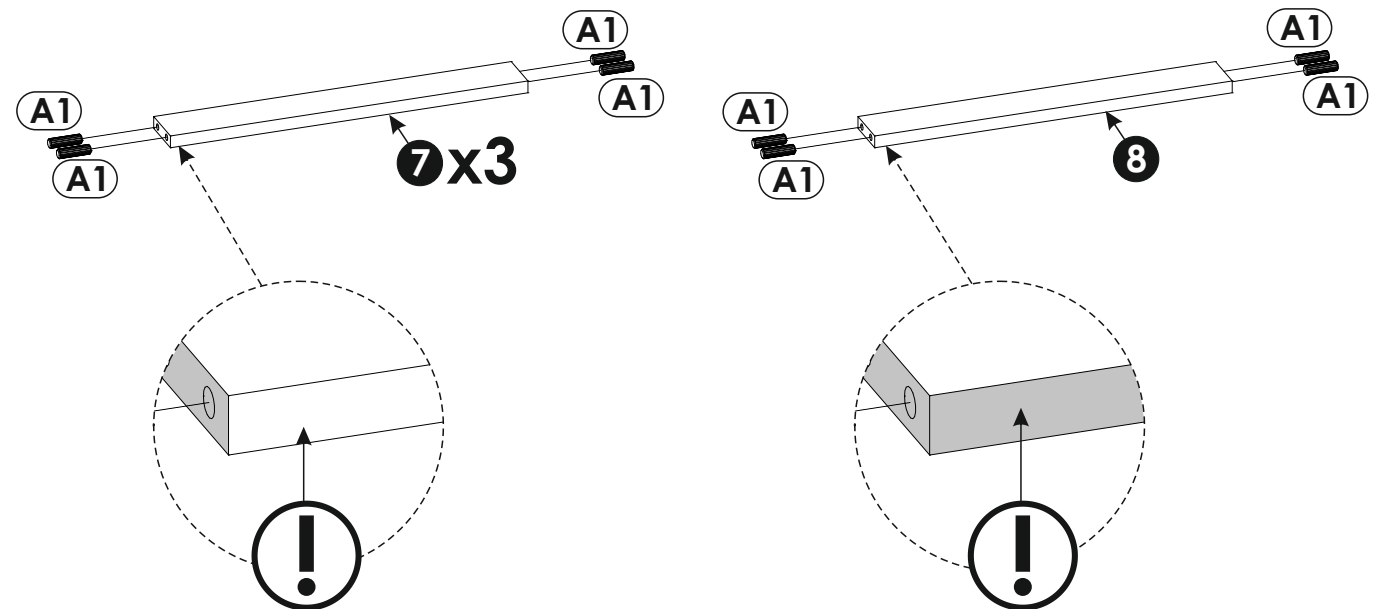
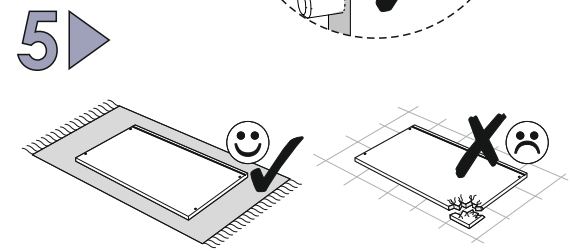
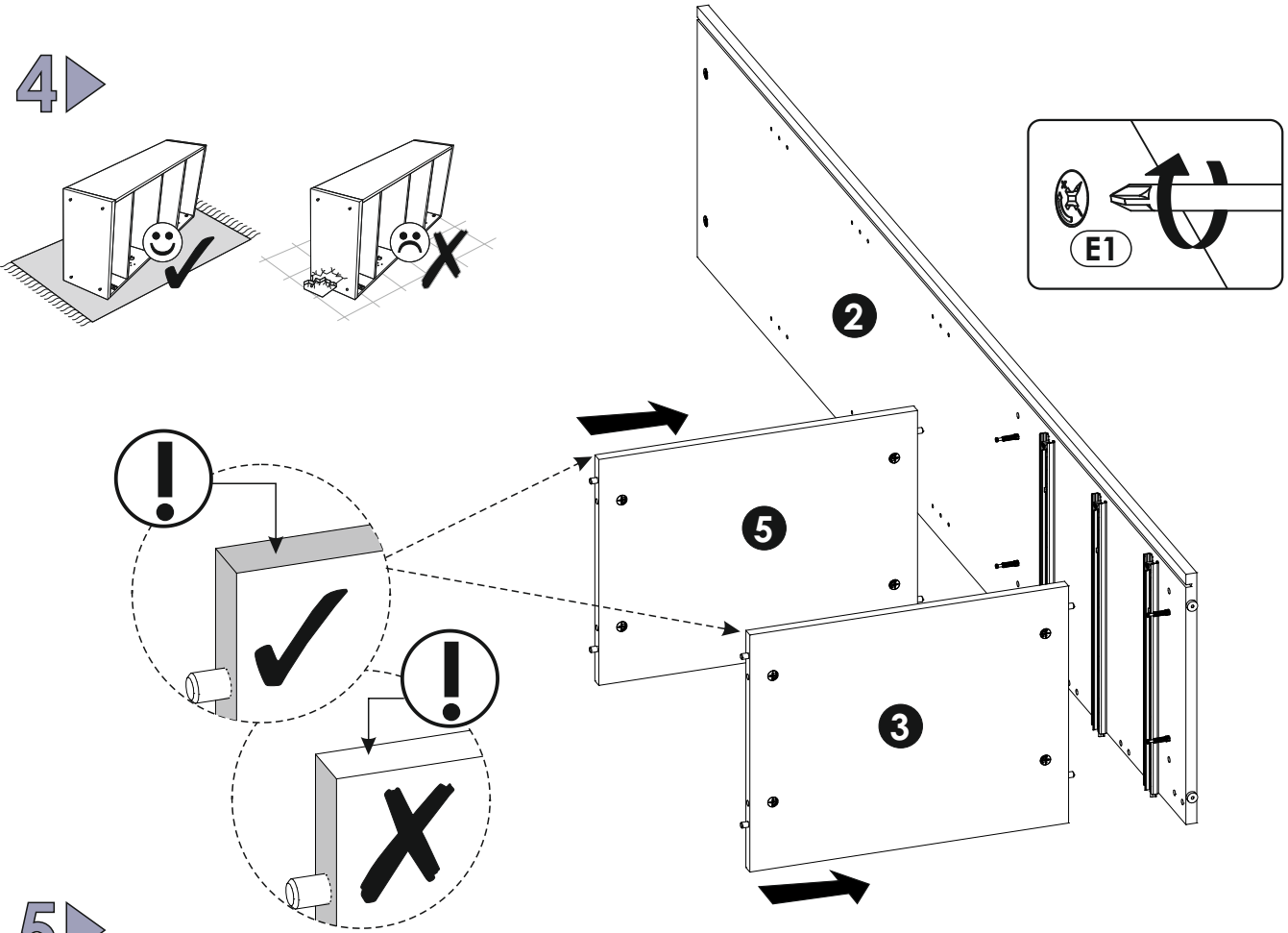
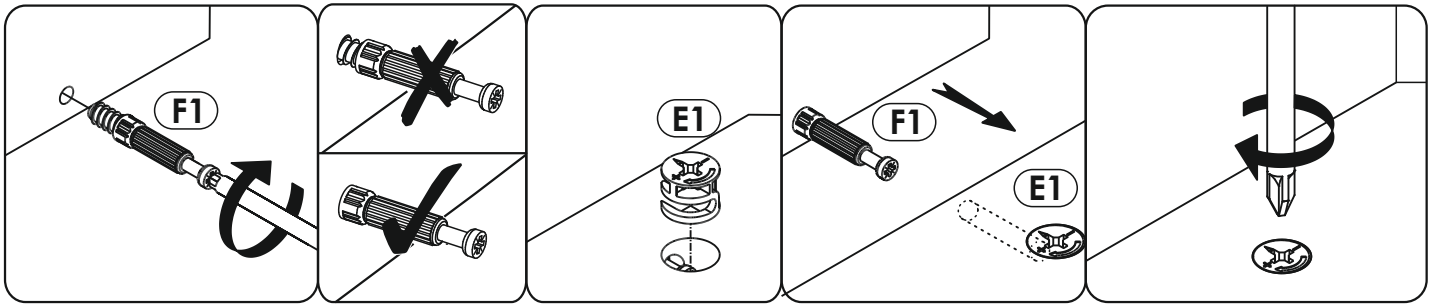


2 ▶

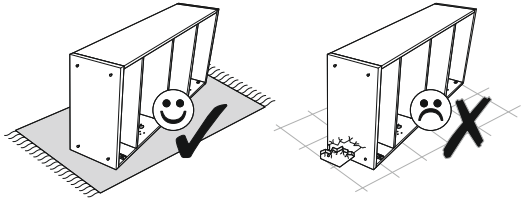


3 ▶

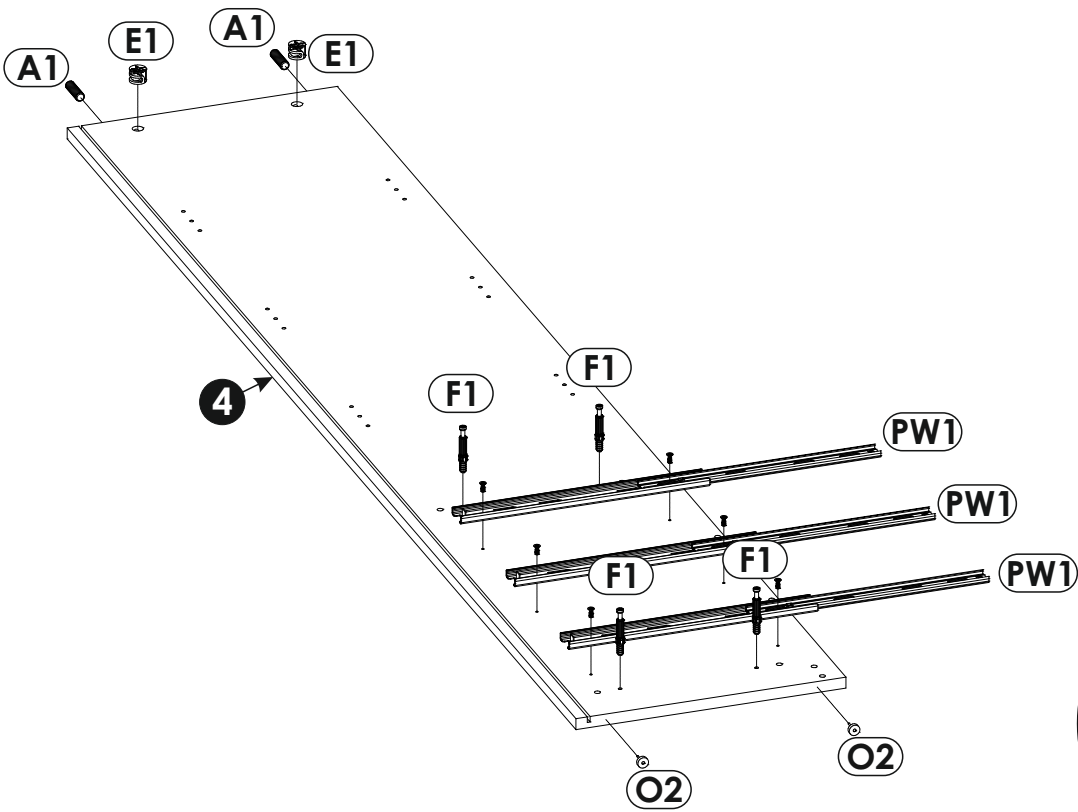
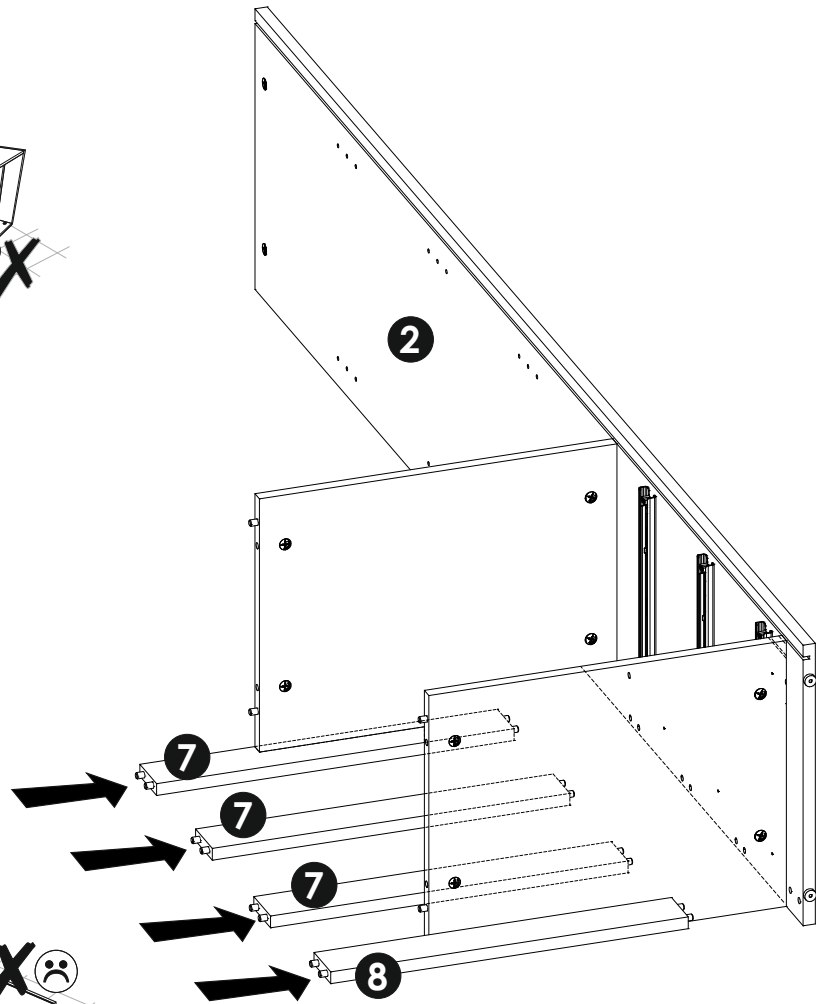
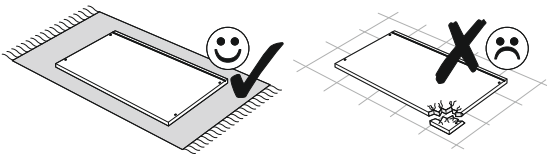




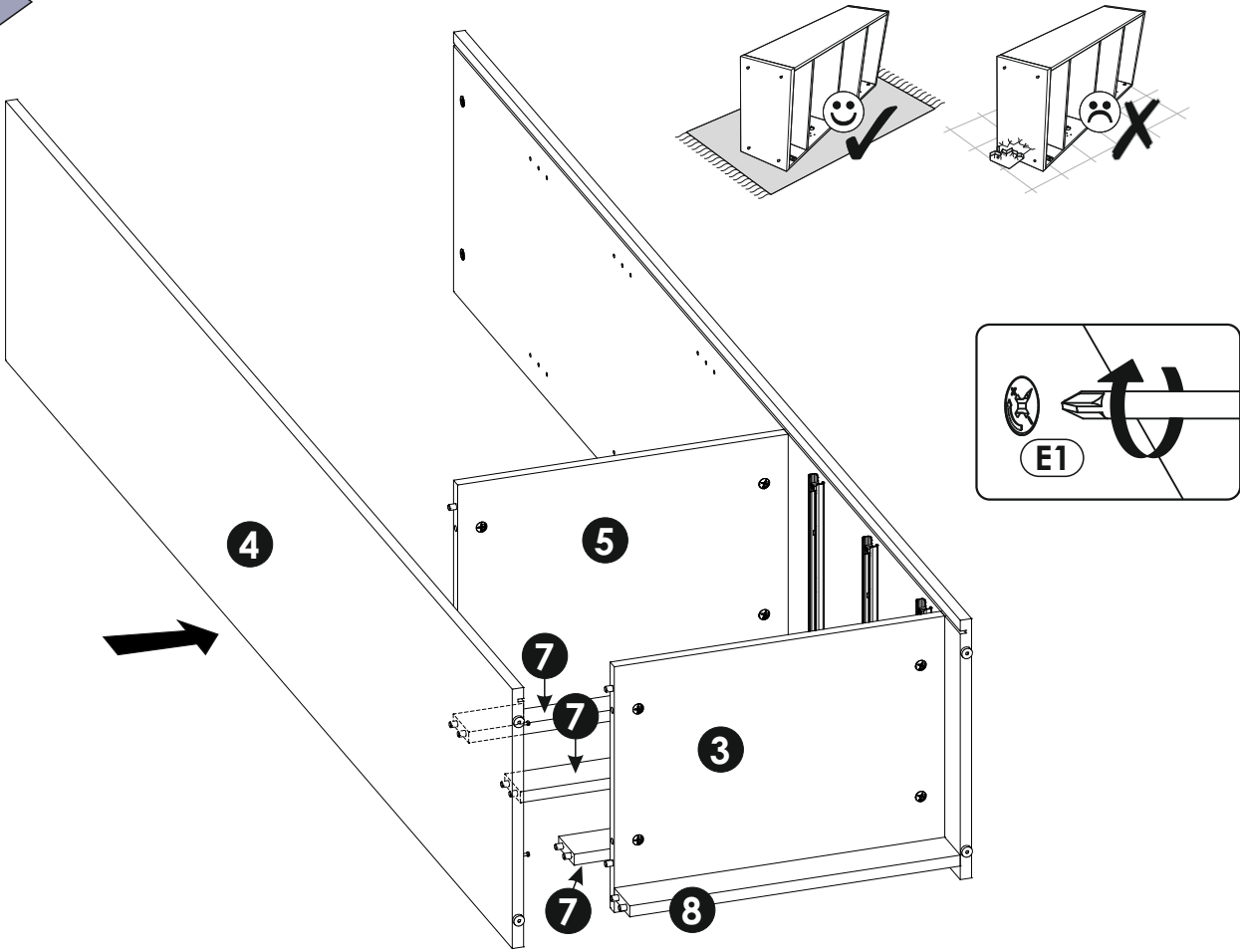
6 ▶



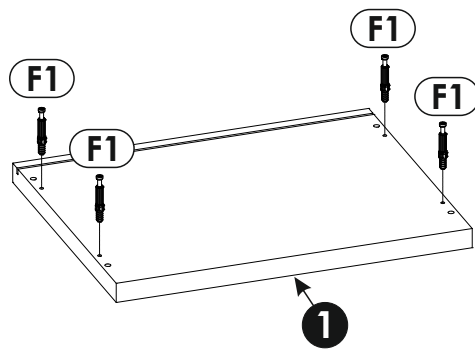
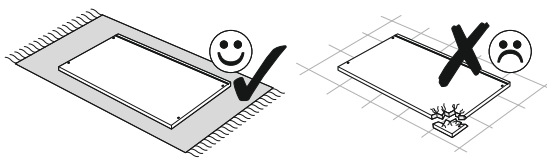
7 ▶



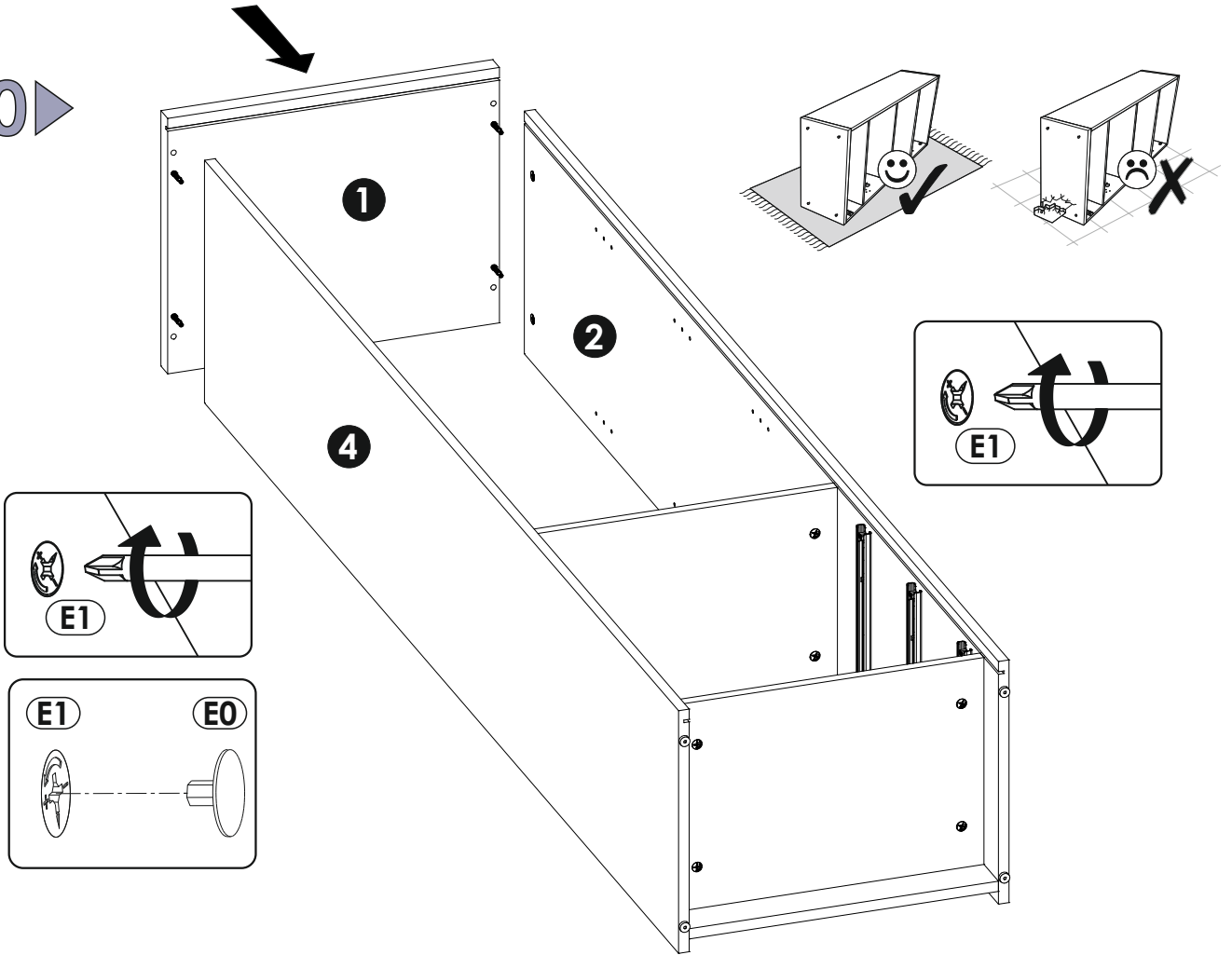
8 ▶



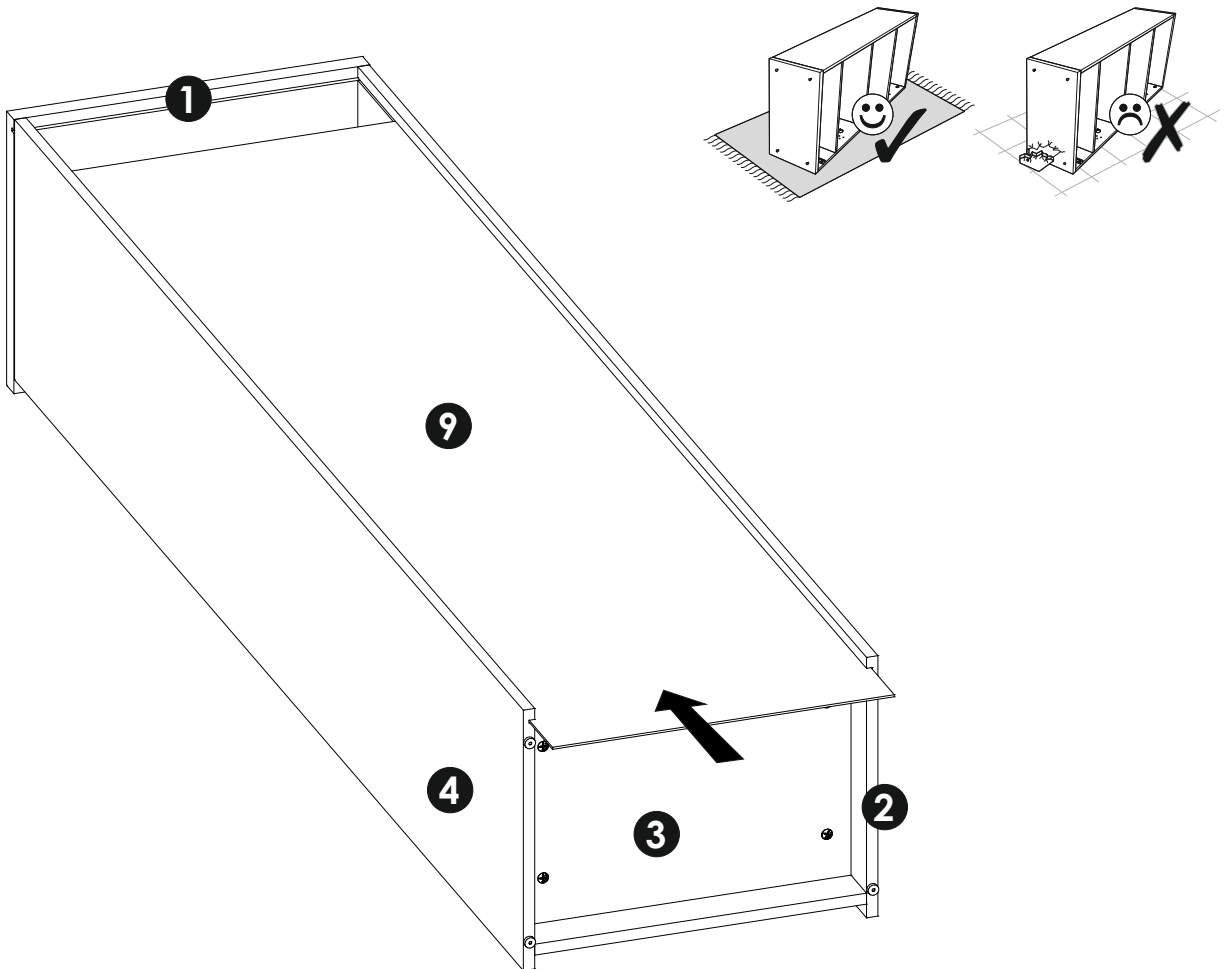
9 ▶



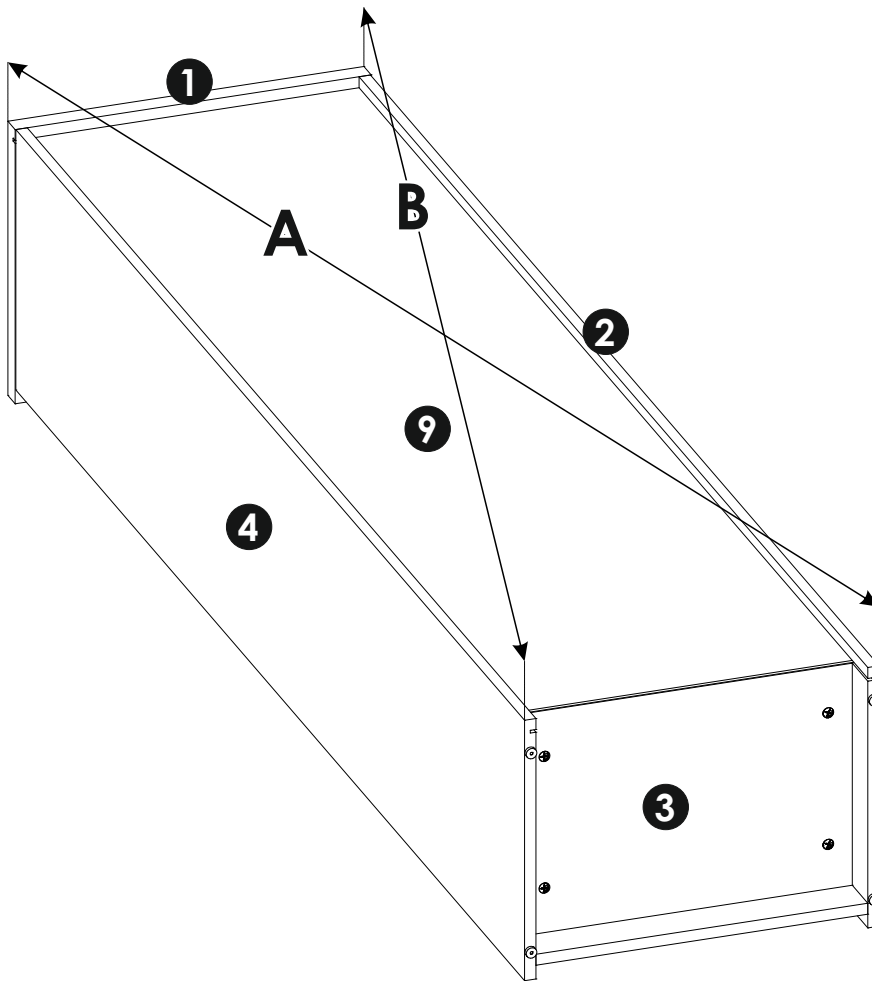
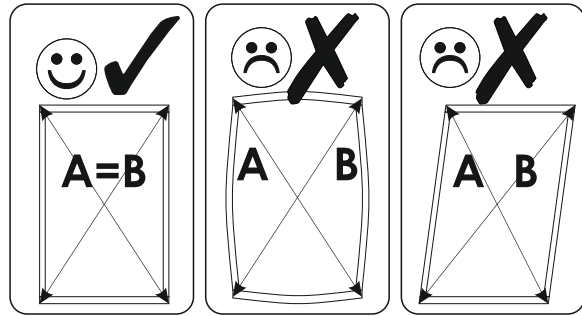
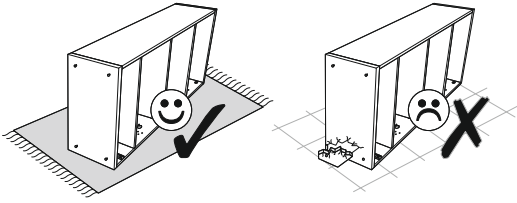
10 ▶



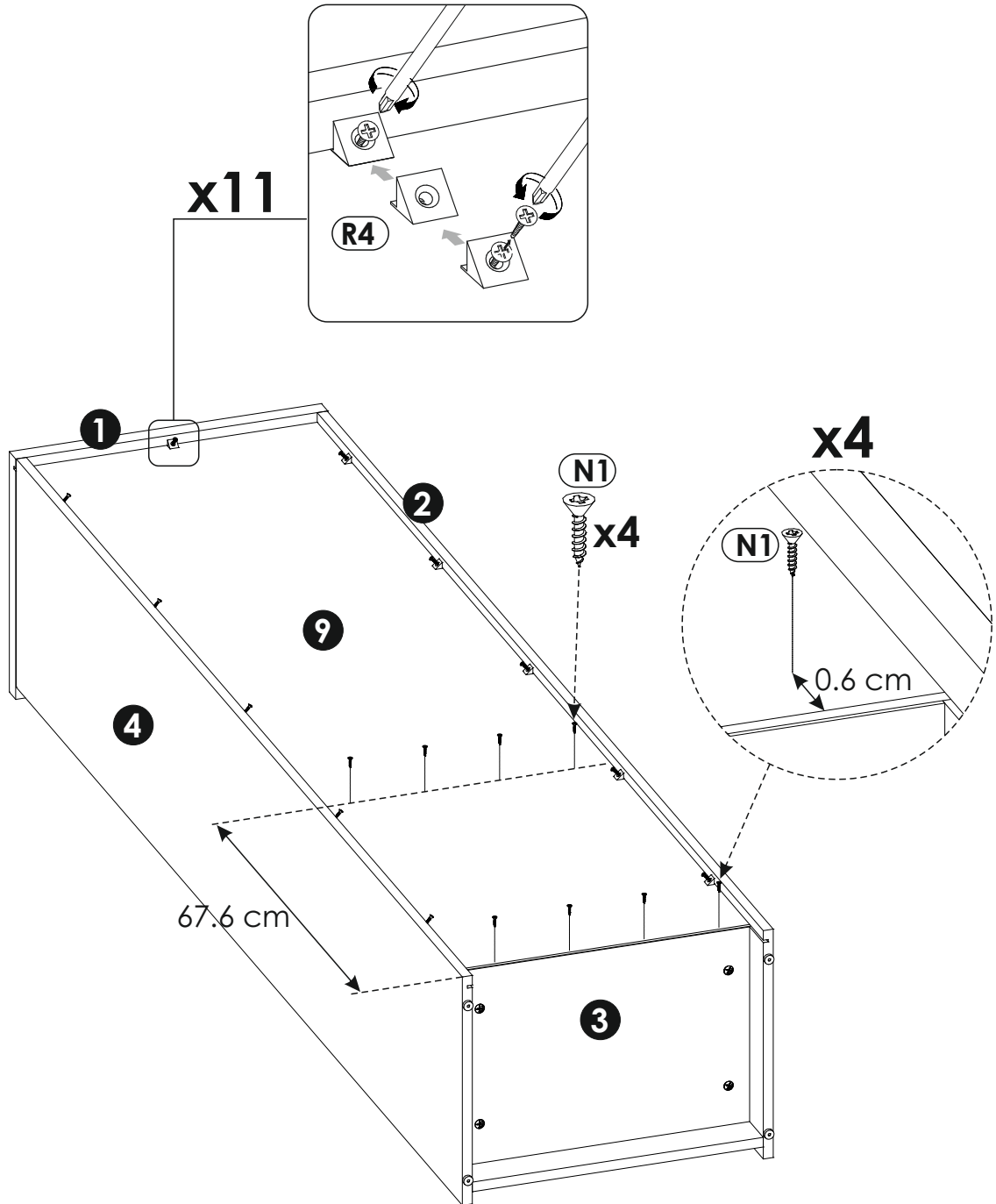
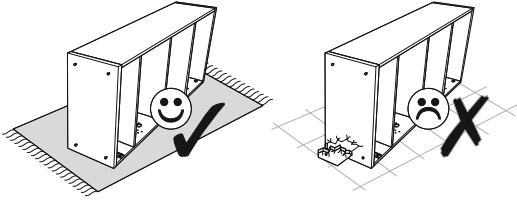
11 ▶



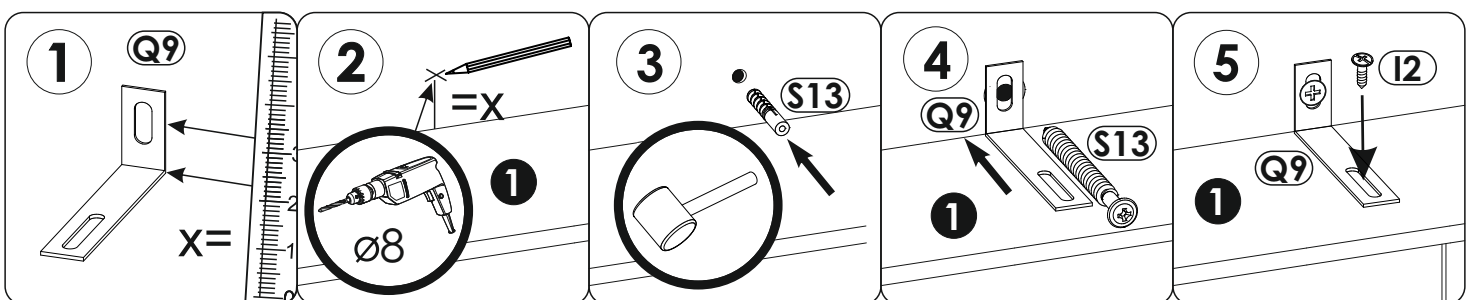
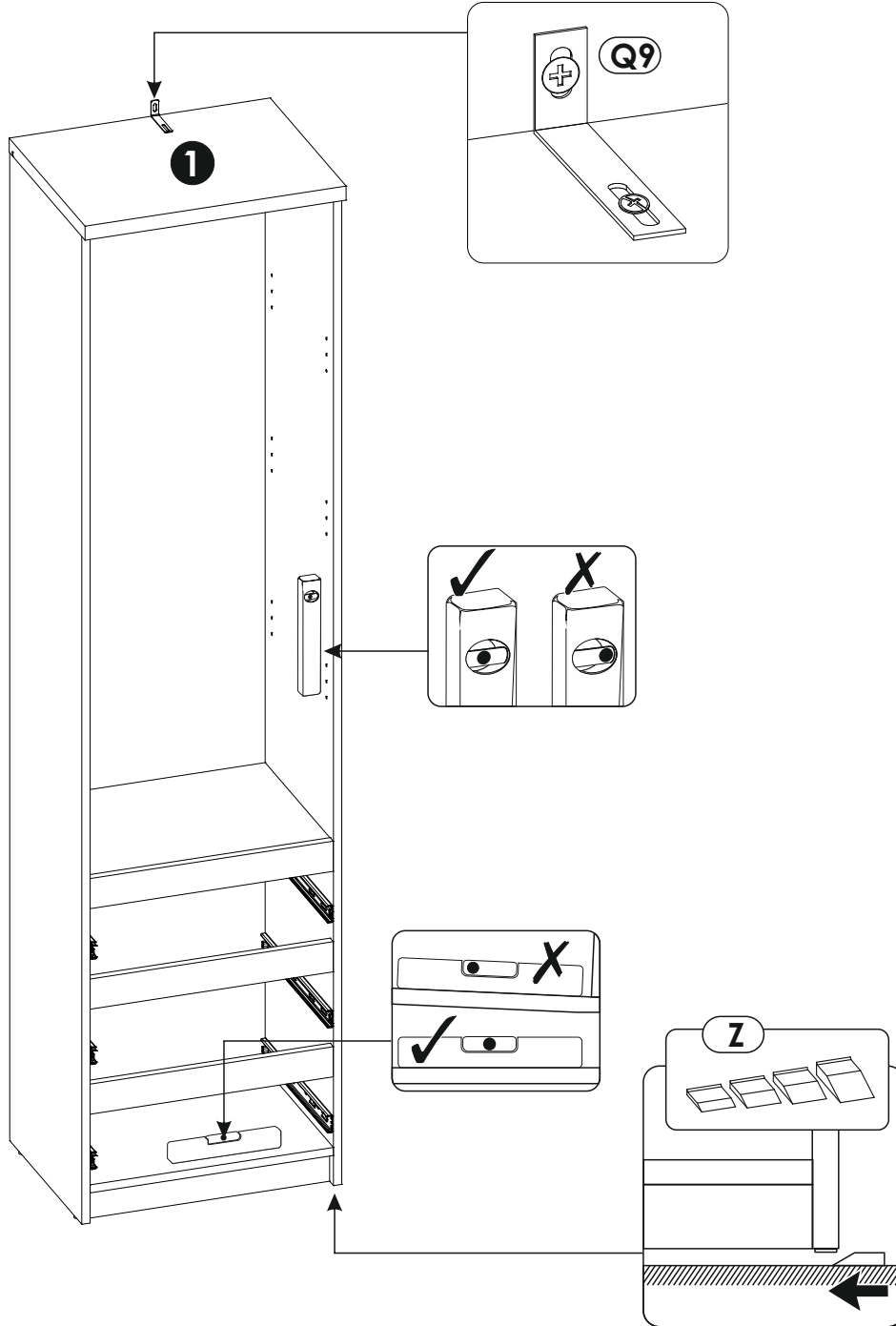
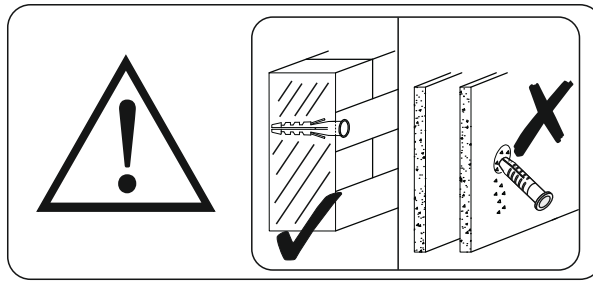
12▶



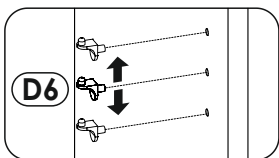
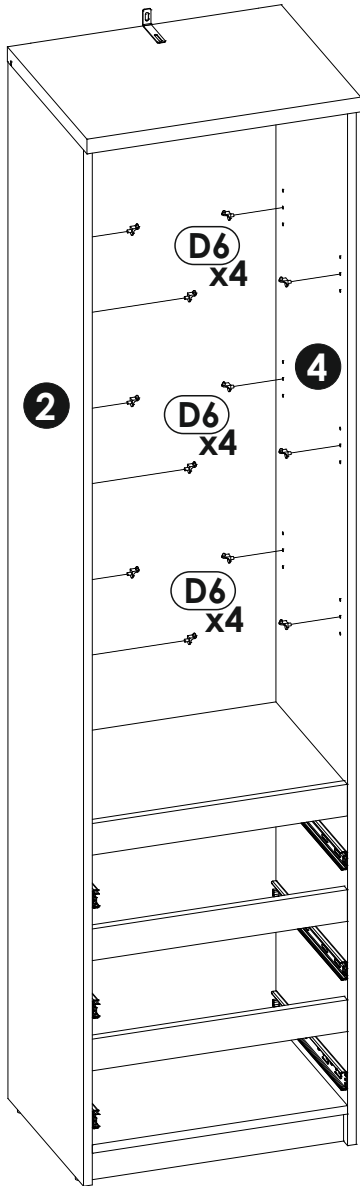
13▶



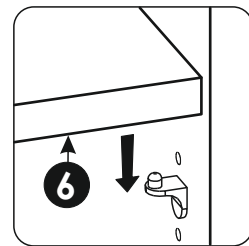
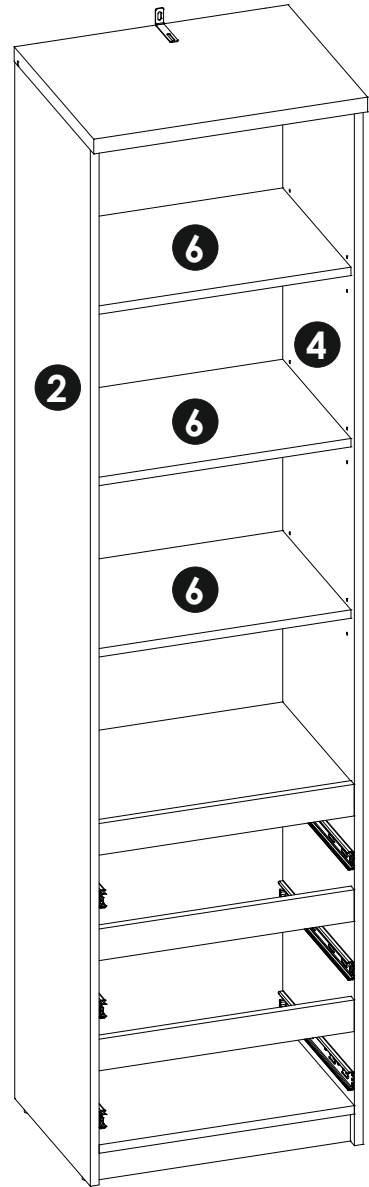
14 ▶



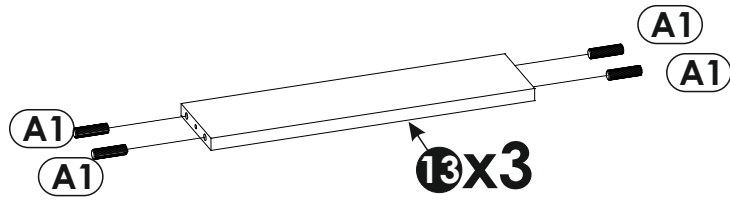
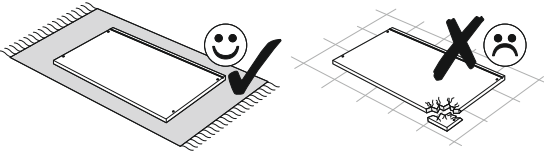
15▶



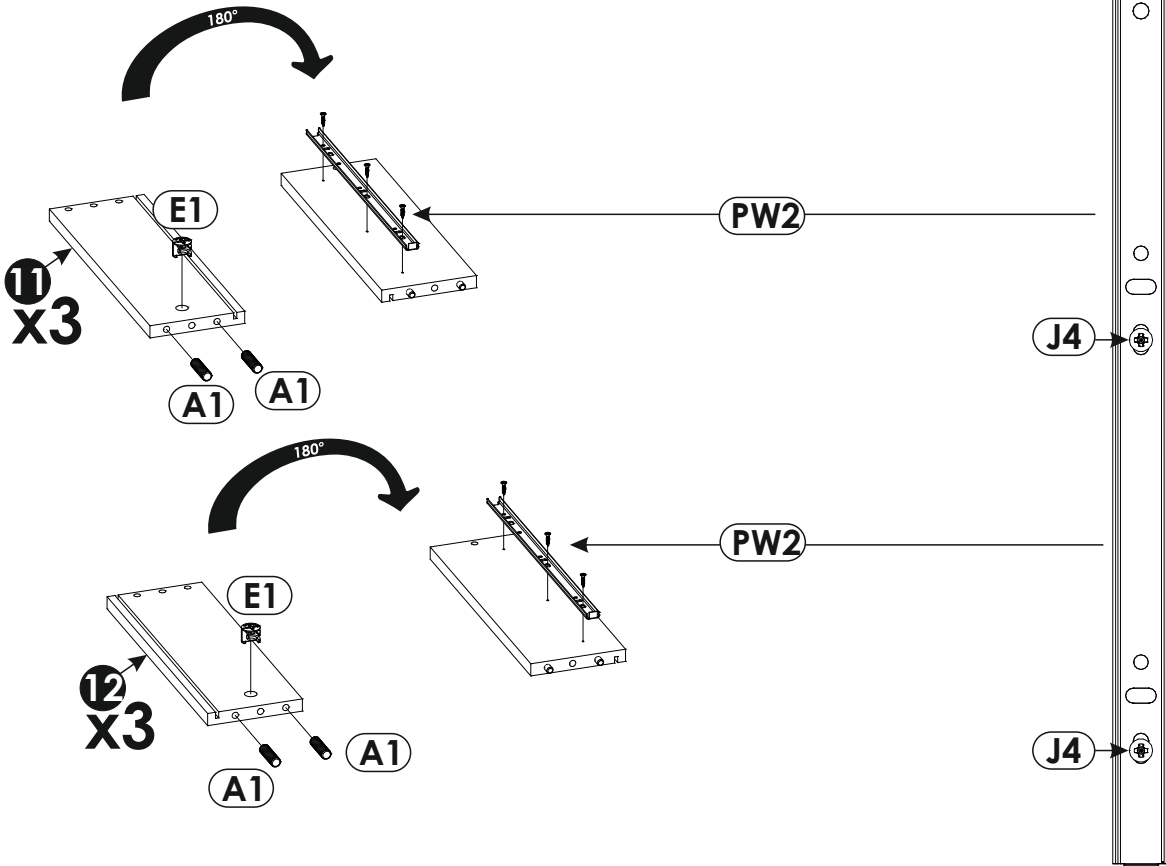
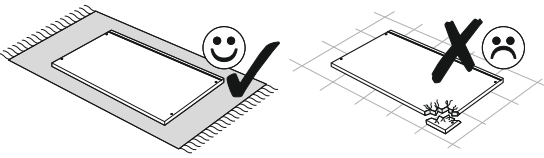
16▶



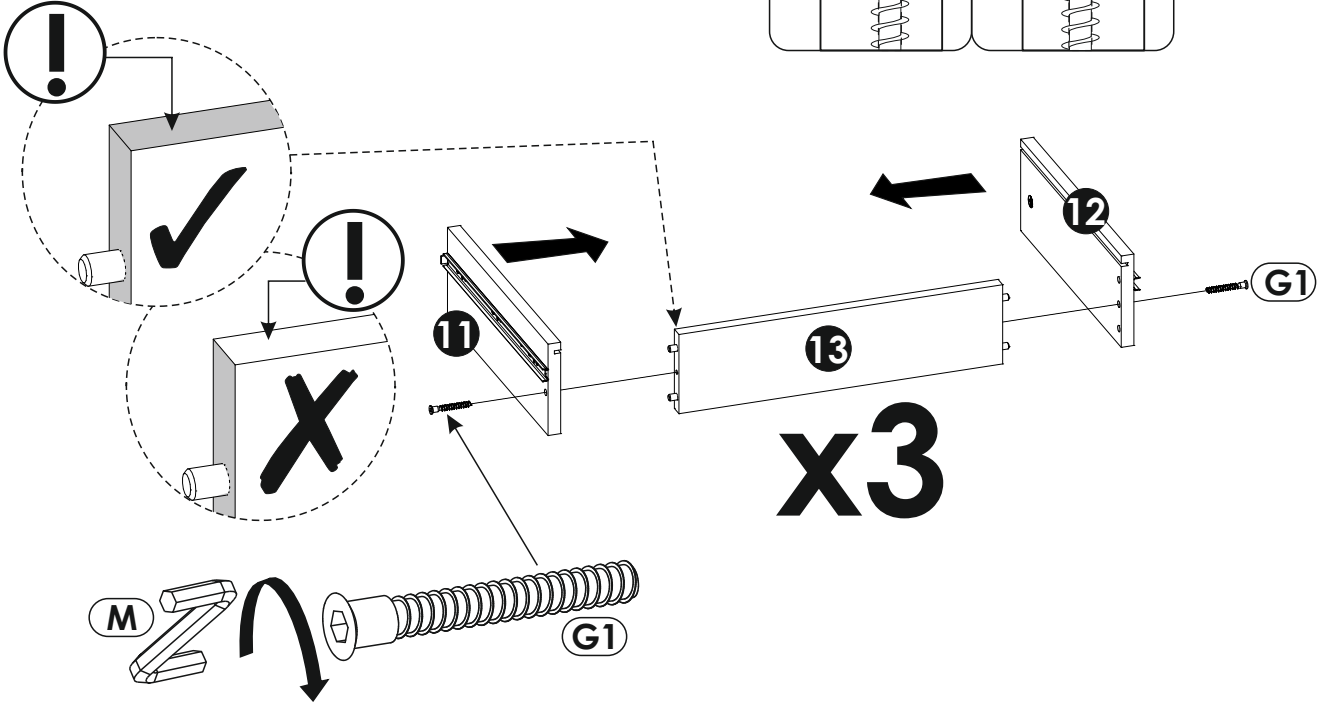
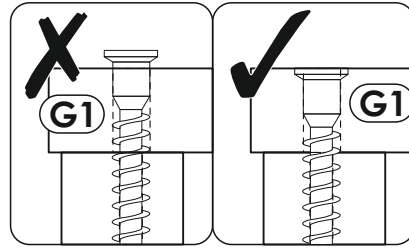
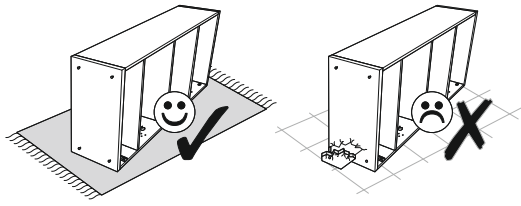
17▶



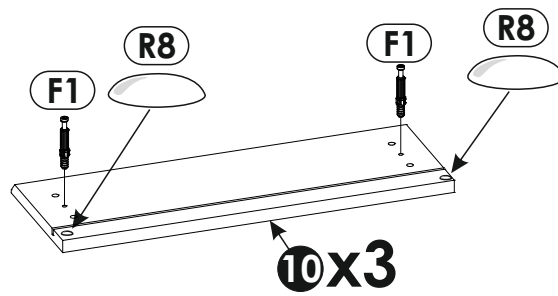
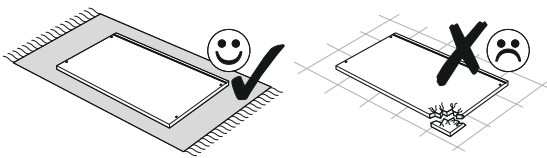
18▶



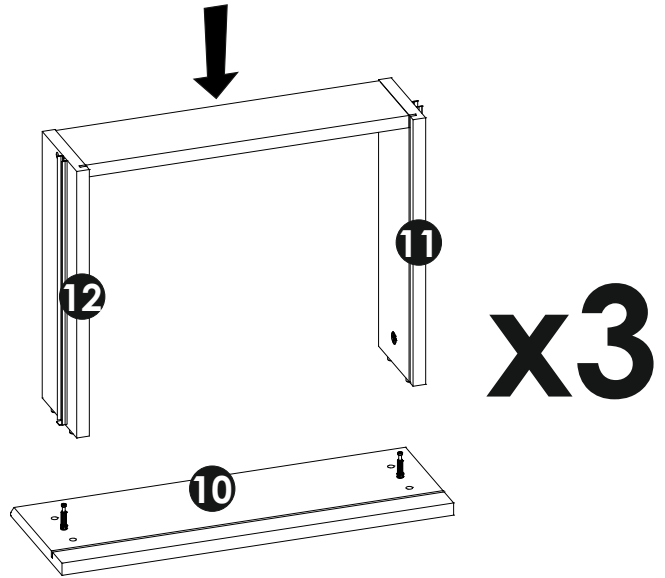
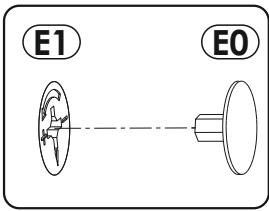
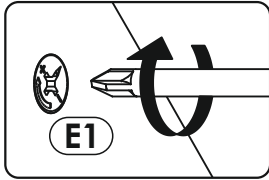
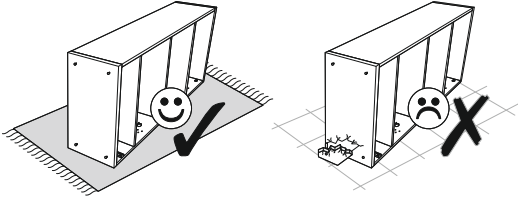
19▶



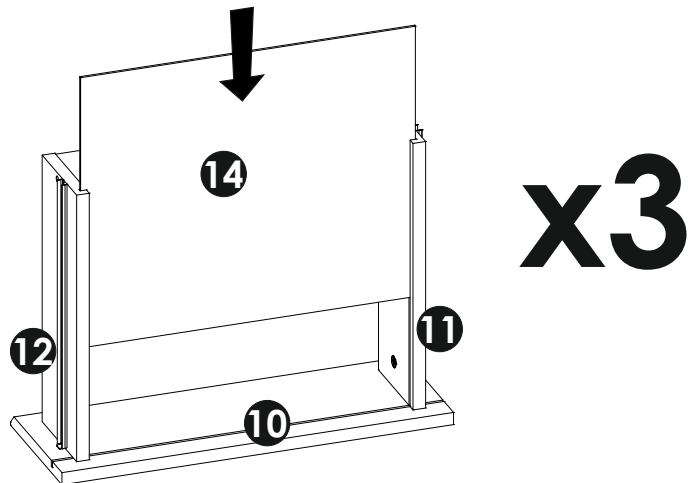
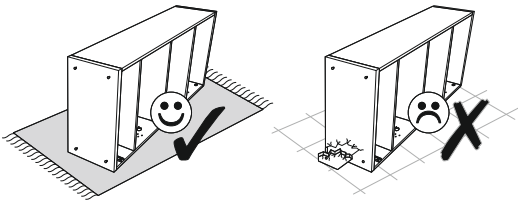
20▶

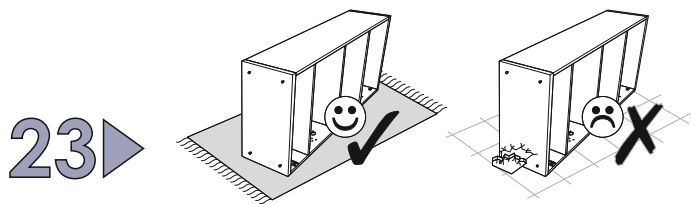


21▶

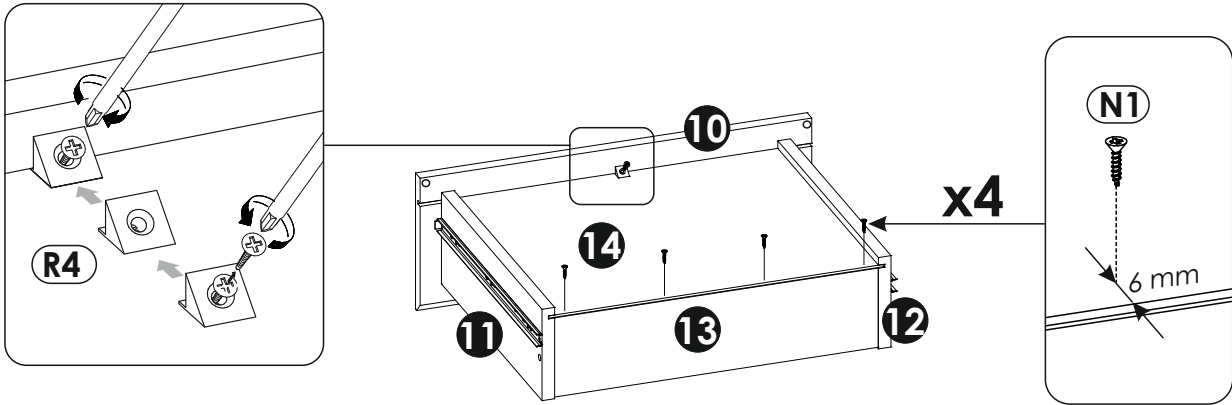


22▶

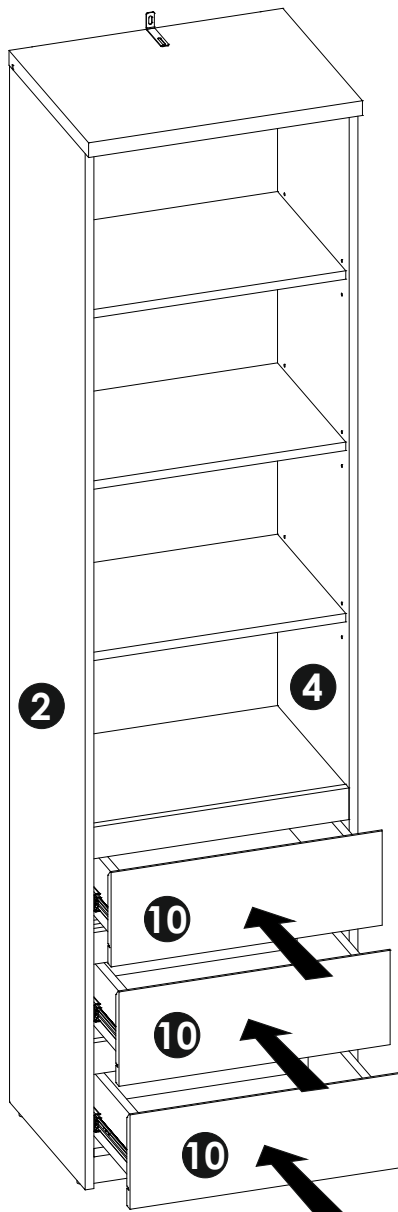




x3



24 ▶



25▶

