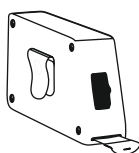
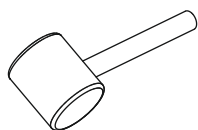
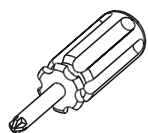
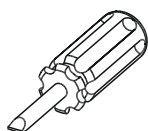
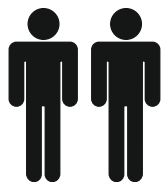


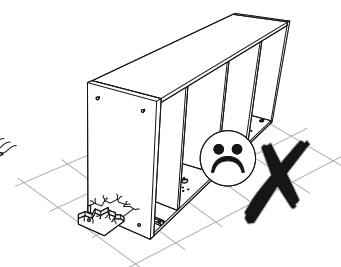
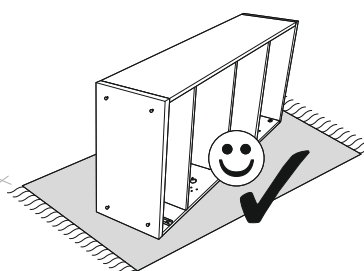
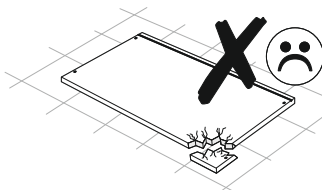
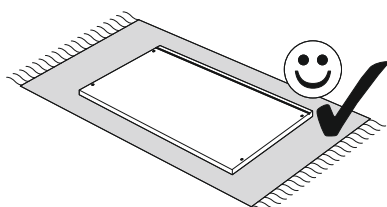
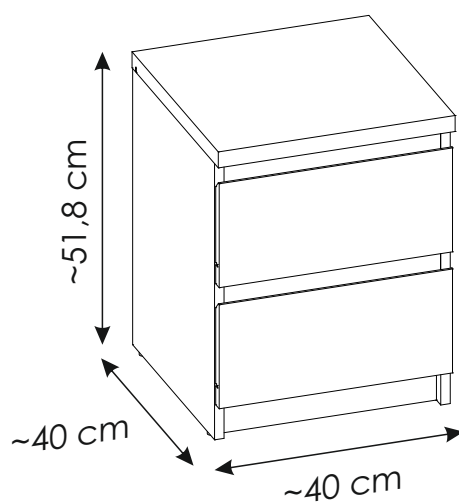
FRIK05

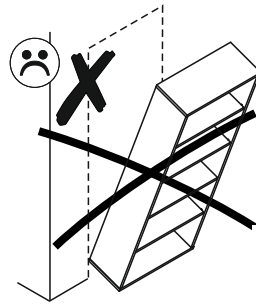
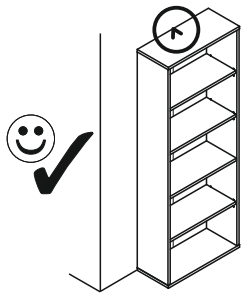


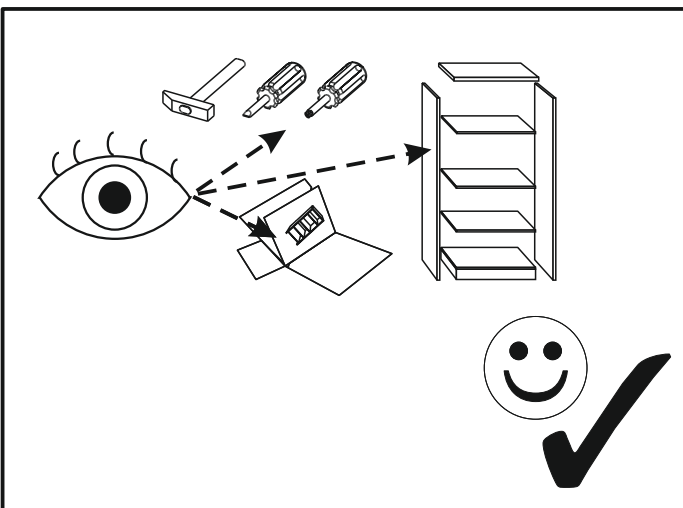
50 min



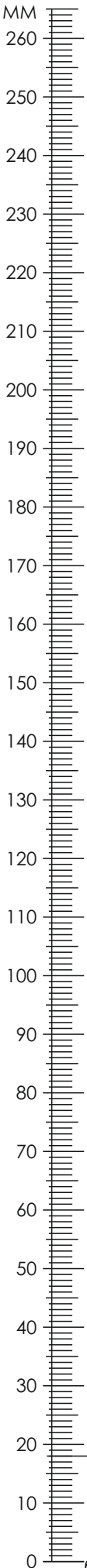
Ø8

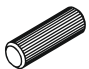



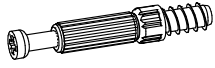
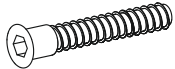
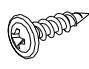
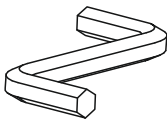
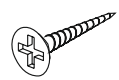
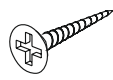
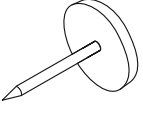
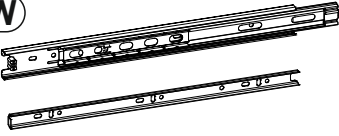
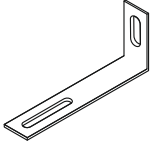
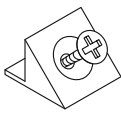
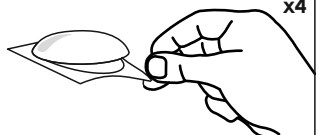
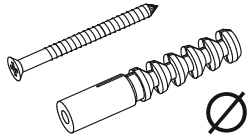
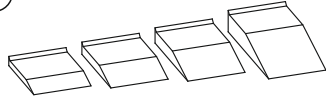




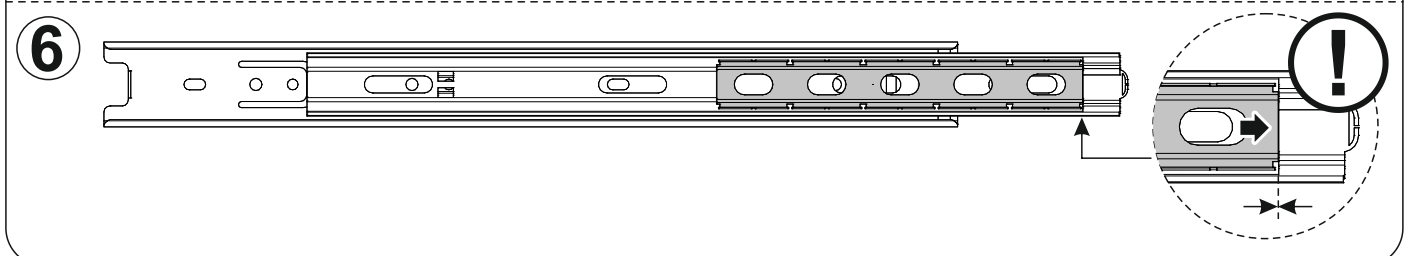
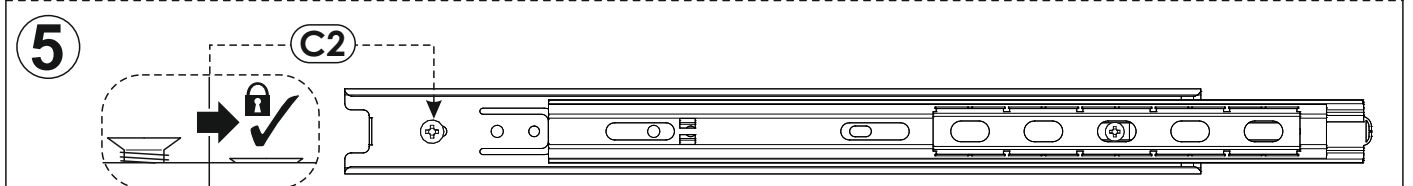
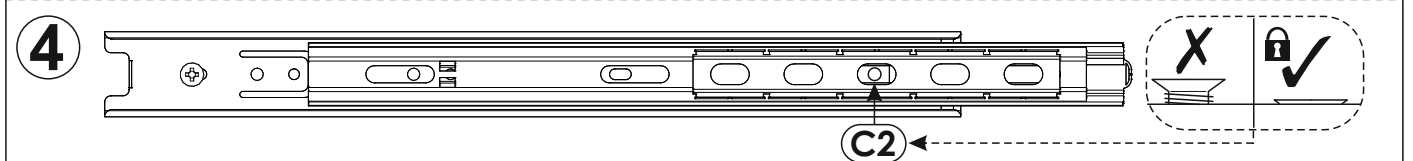
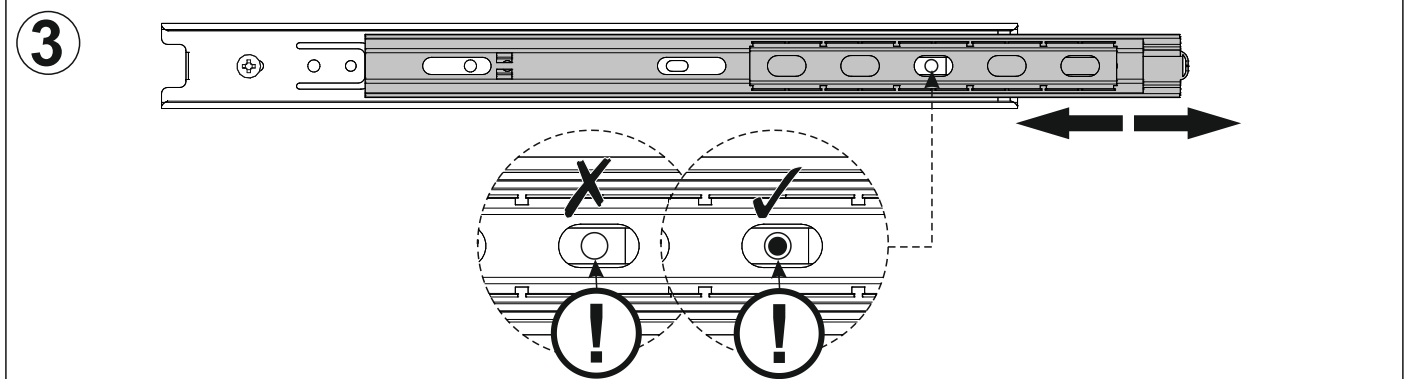
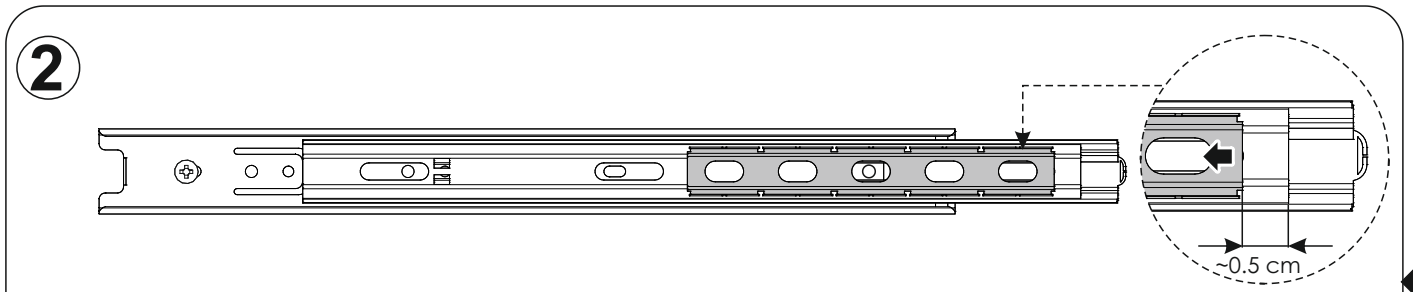
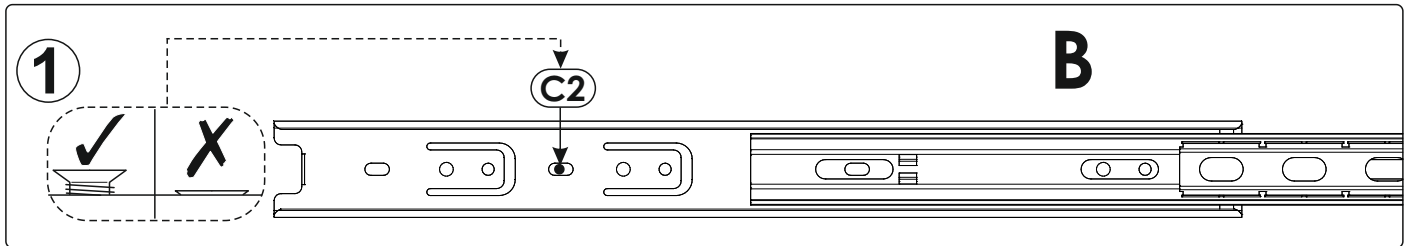
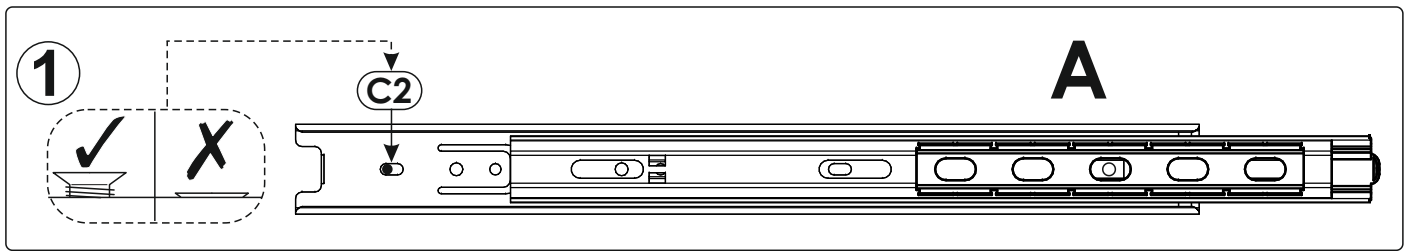


FRIK05

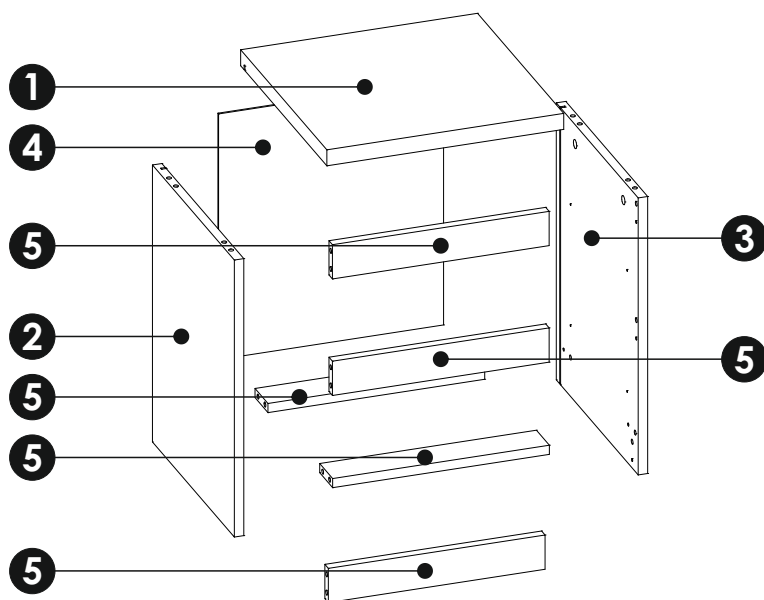
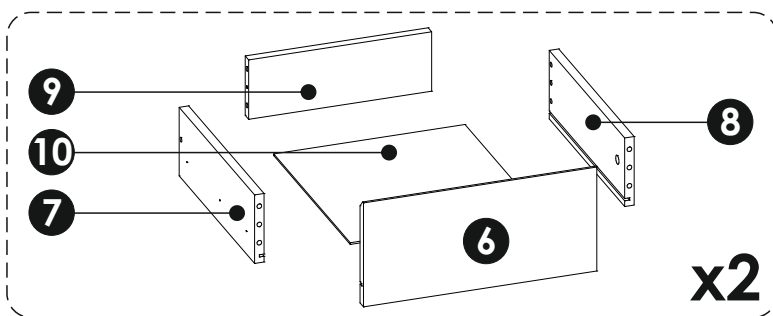
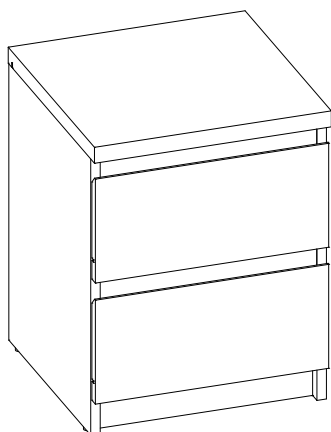


A1 8 x 35 mm x30 	C2 5 x 13 mm x8 	E0 Ø16 x4 
E1 15 x 12 mm x18 	F1 6 x 34 mm x18 	G1 7 x 50 mm x4 
I2 4 x 16 mm x1 	M x1 	N1 3 X 16 mm x10 
N2 3,5 X 16 mm x12 	O2 x4 	PW x4 
Q9 x1 	R4 x5 	R8 x4 
S13 x1  Ø8	Z x1 	

FRIK05

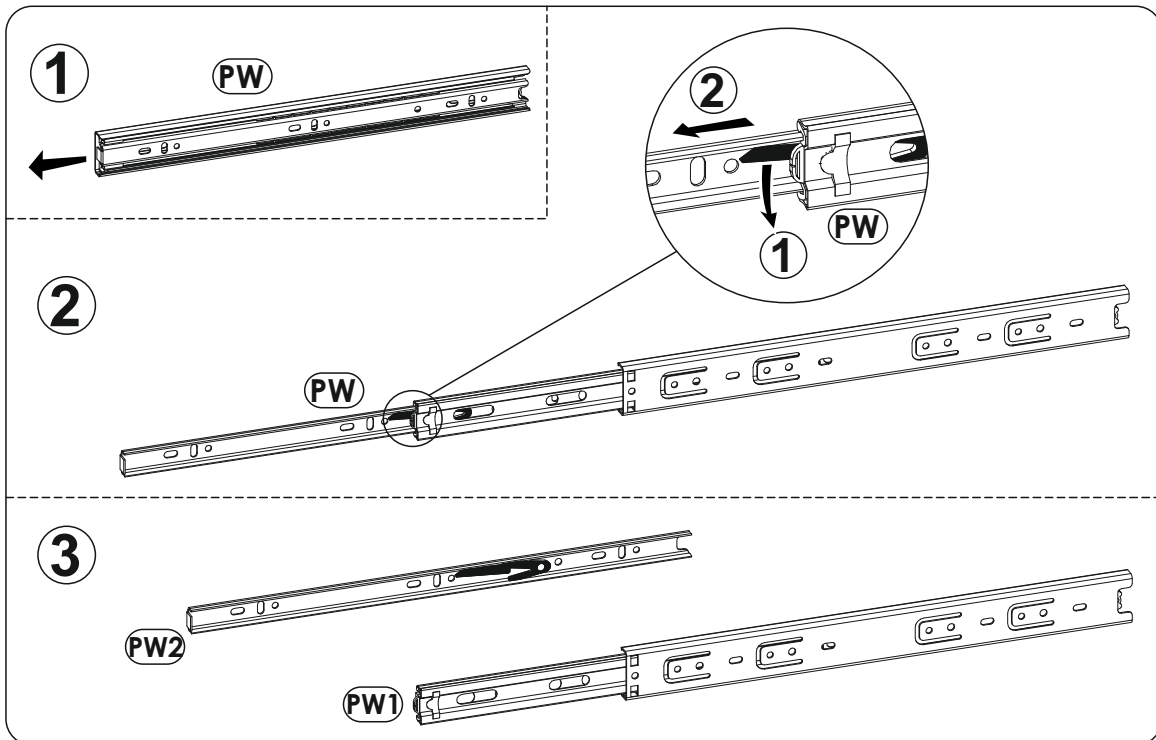
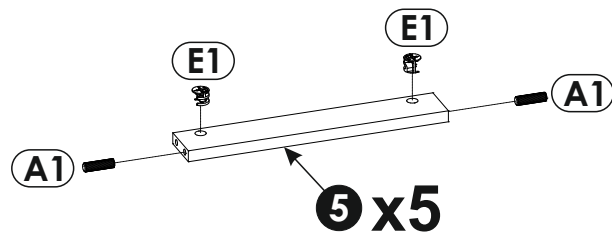
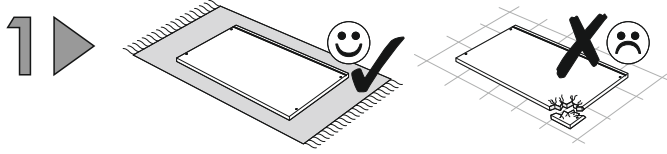
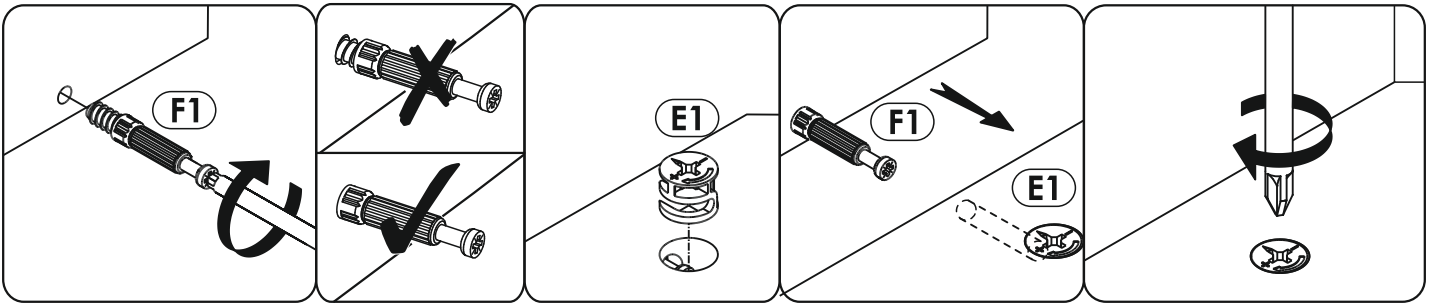


FRIK05

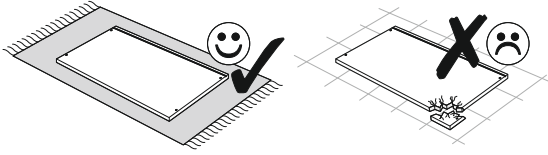


1	400	400	28	x1	1/1
2	485	380	16	x1	1/1
3	485	380	16	x1	1/1
4	430	380	3	x1	1/1
5	366	60	16	x5	1/1
6	394	182	16	x2	1/1

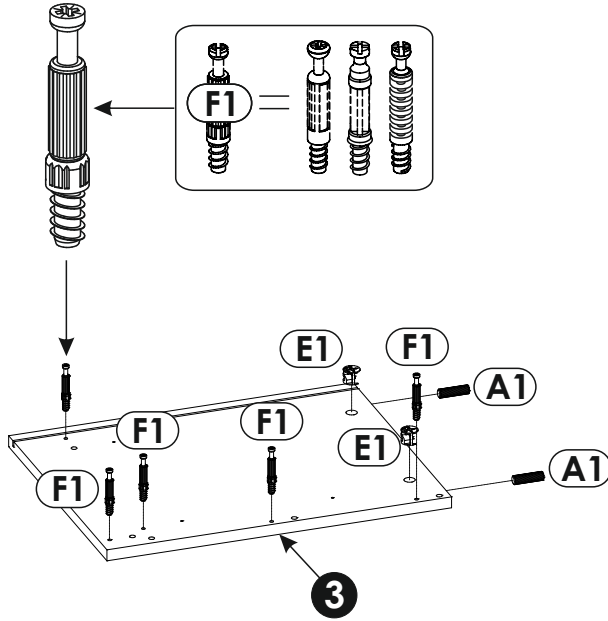
7	350	120	16	x2	1/1
8	350	120	16	x2	1/1
9	309	104	16	x2	1/1
10	323	355	3	x2	1/1



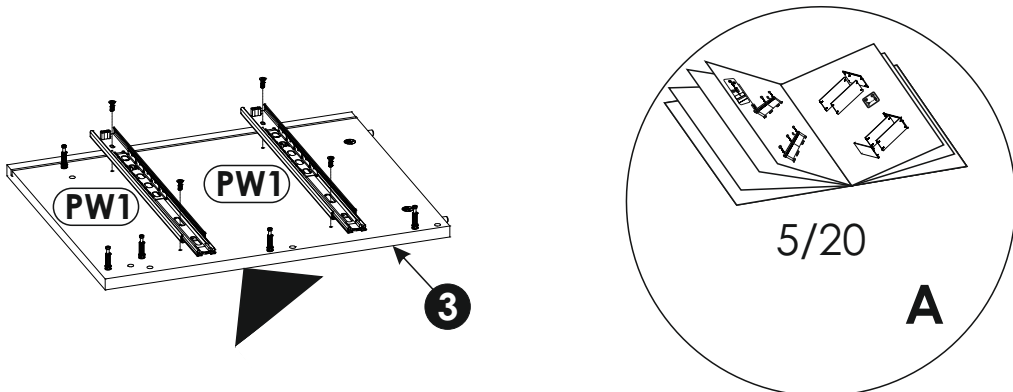
3 ▶

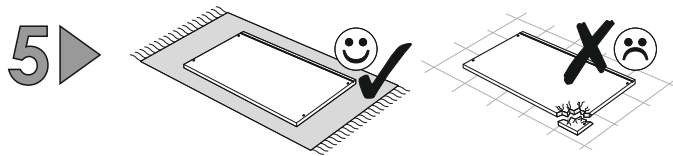
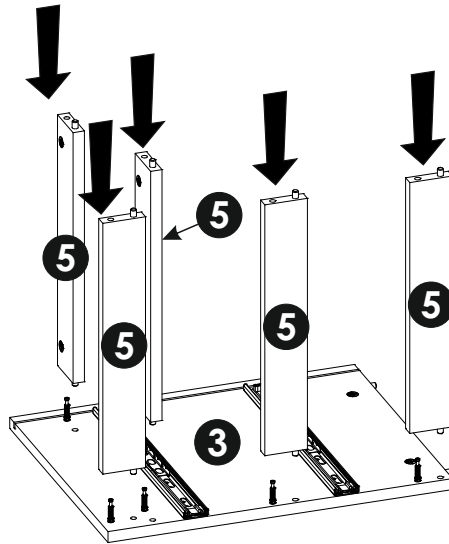
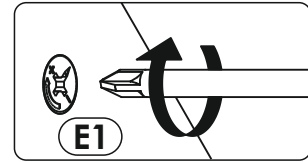
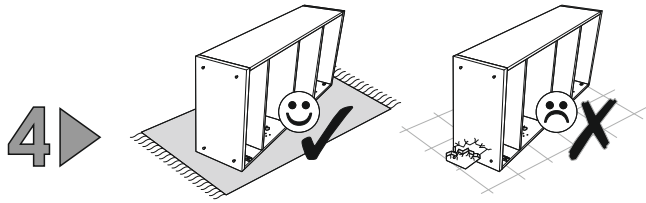


a.

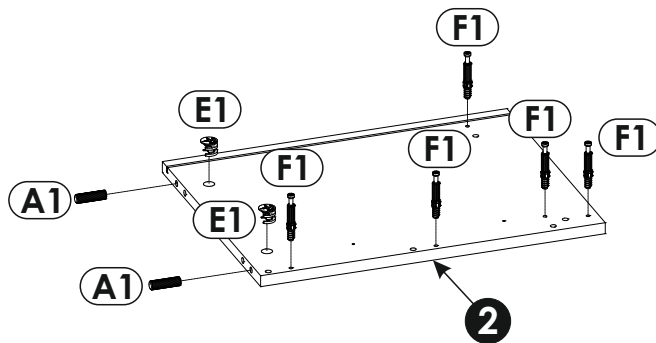


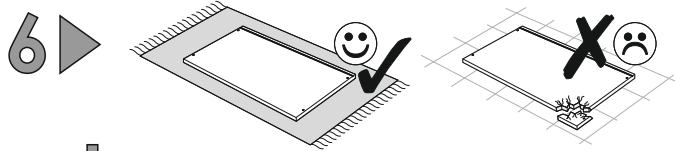
b.



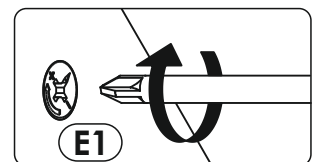
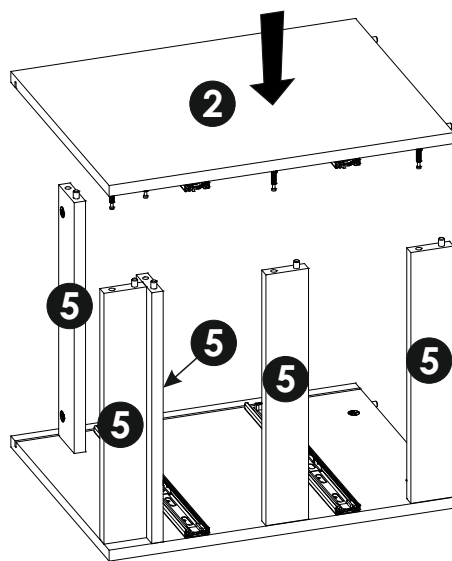
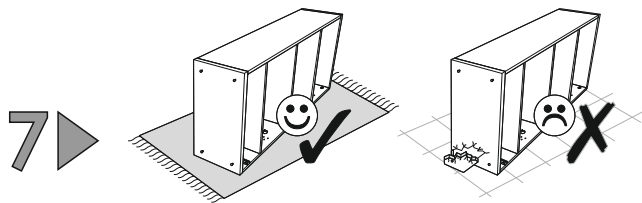
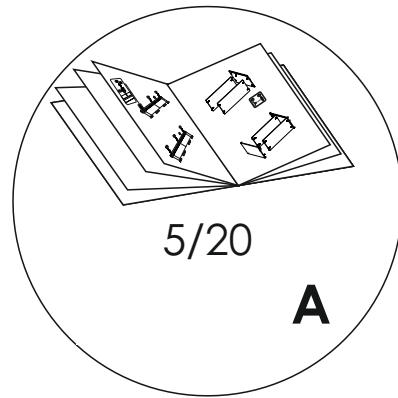
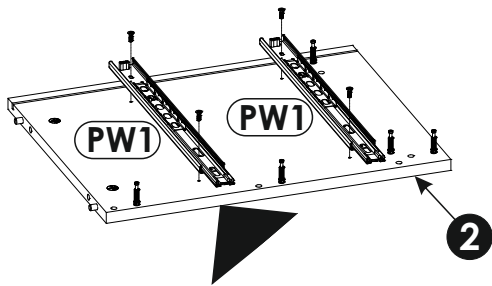


a.

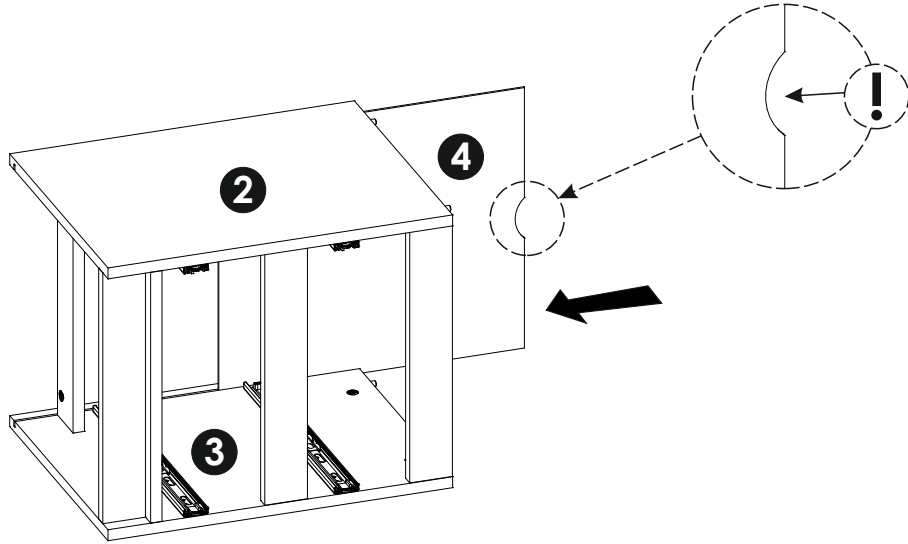
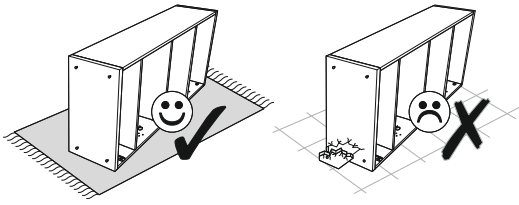




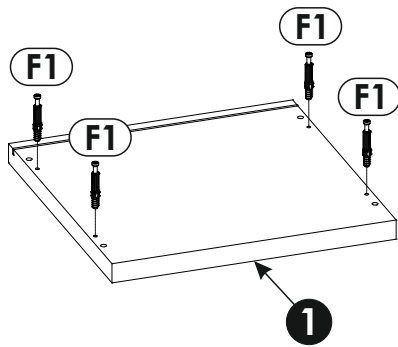
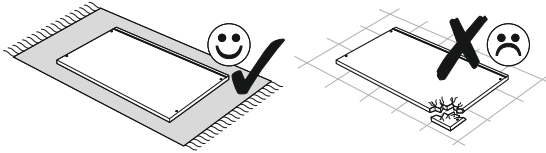
b.



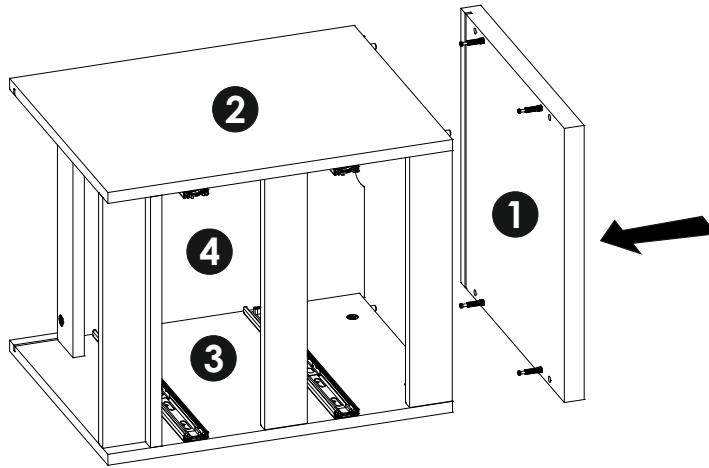
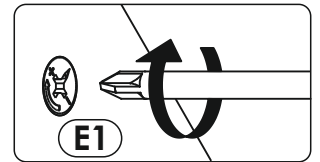
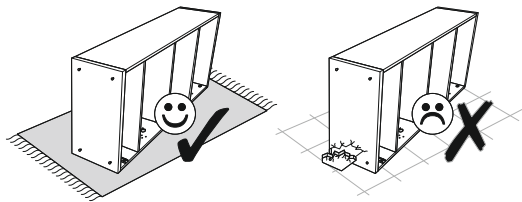
8 ▶



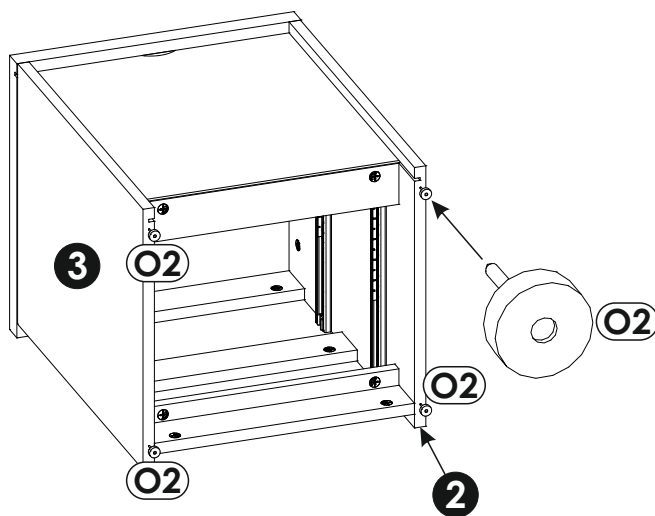
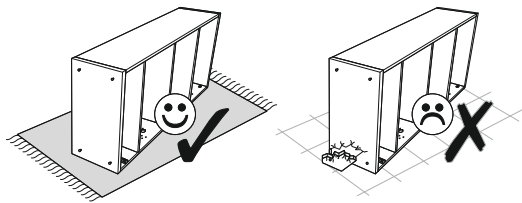
9 ▶



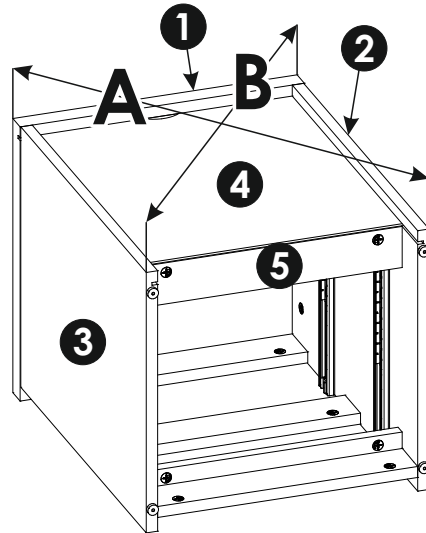
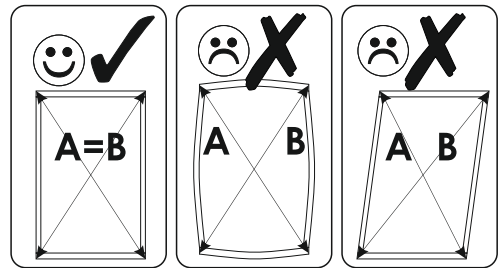
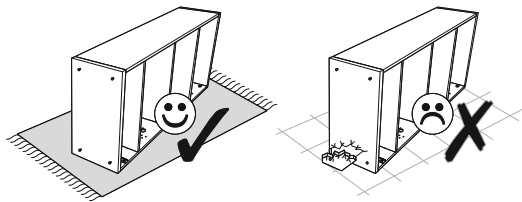
10 ▶



11 ▶

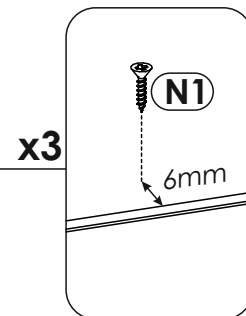
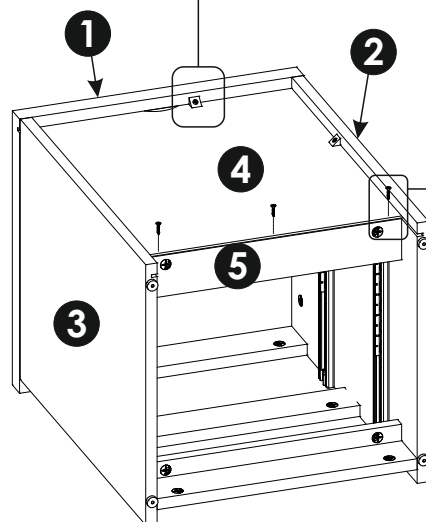
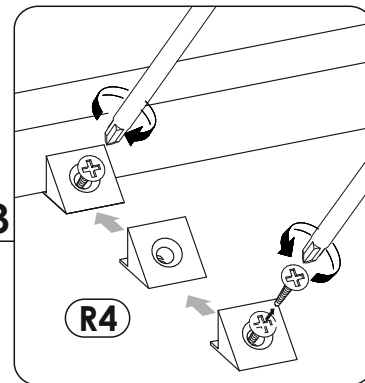
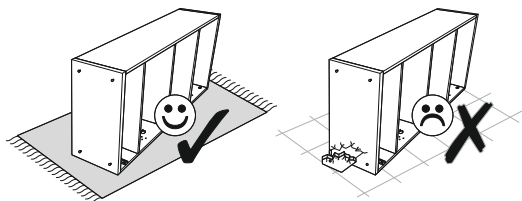


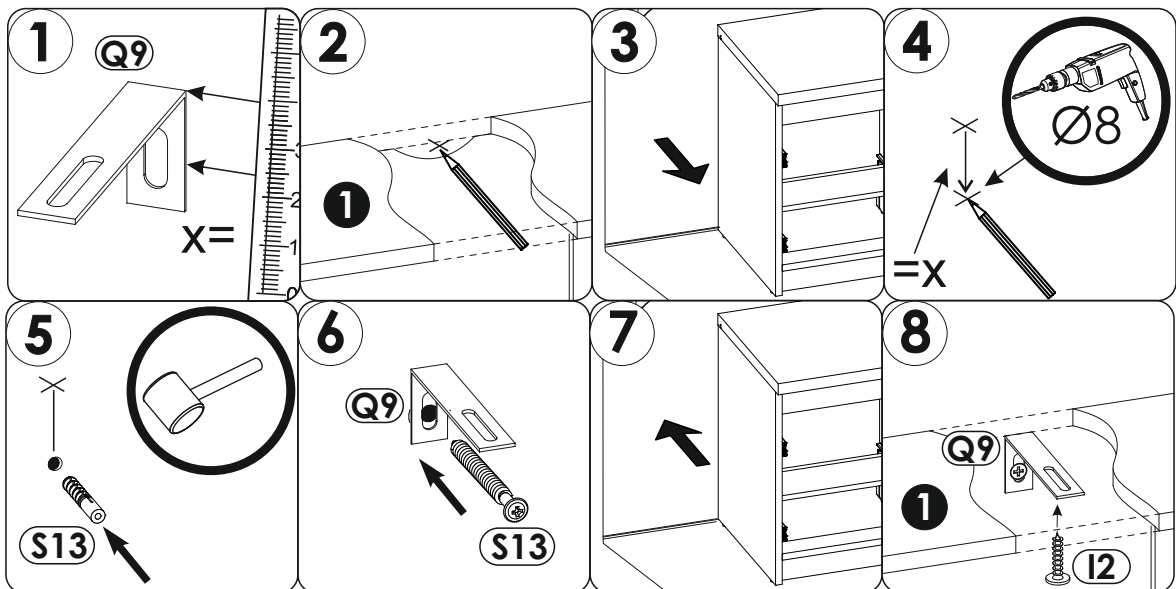
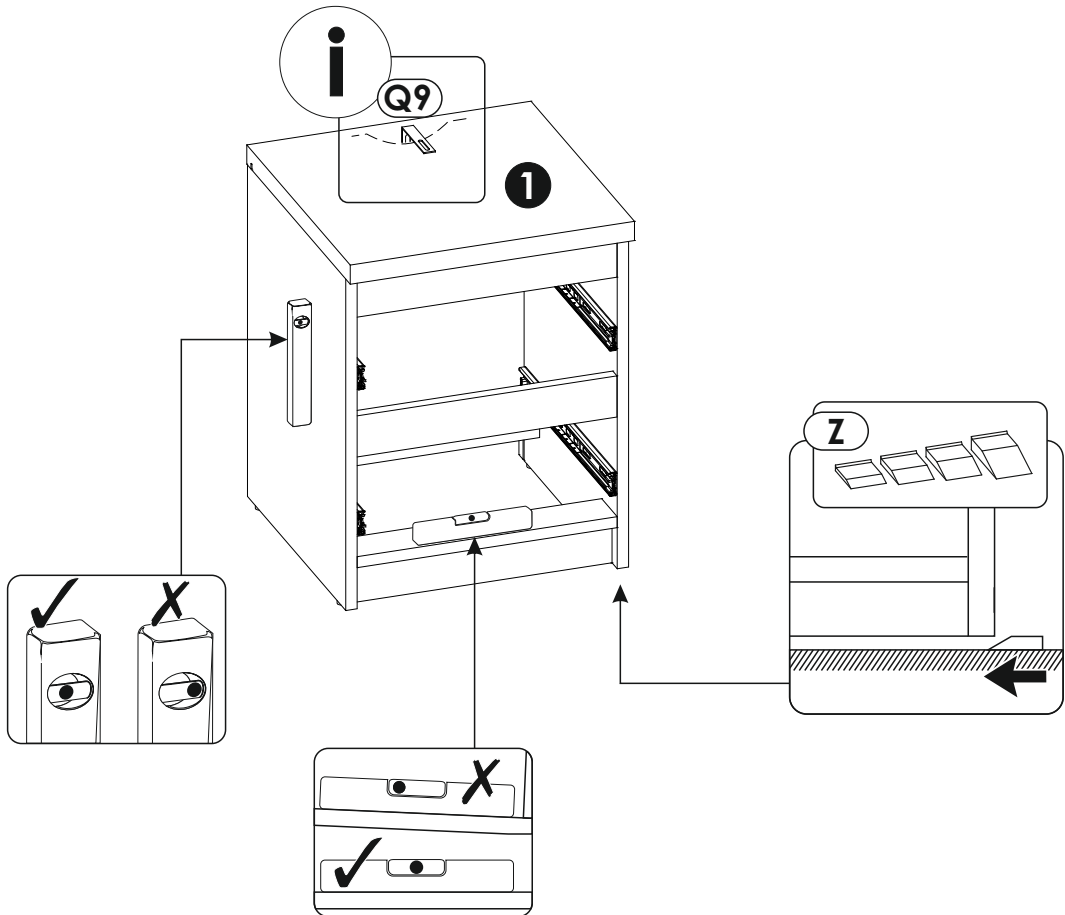
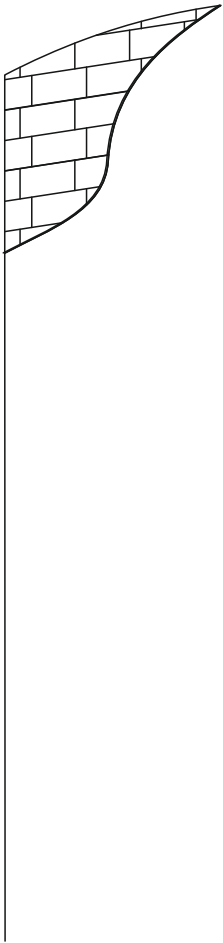
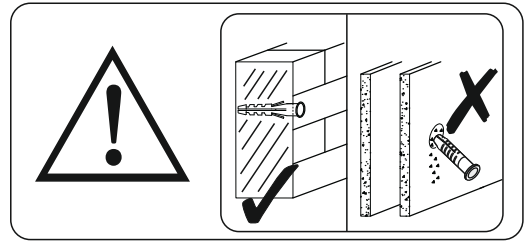
12 ▶



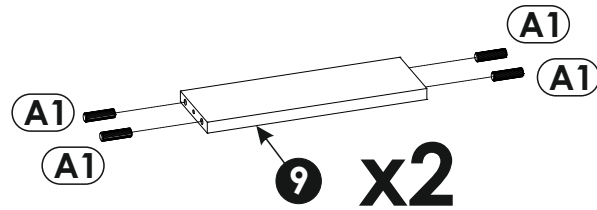
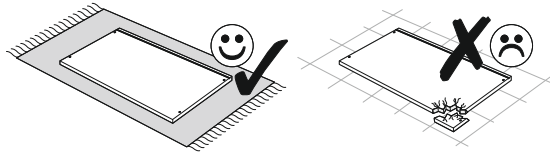
A=B

13 ▶

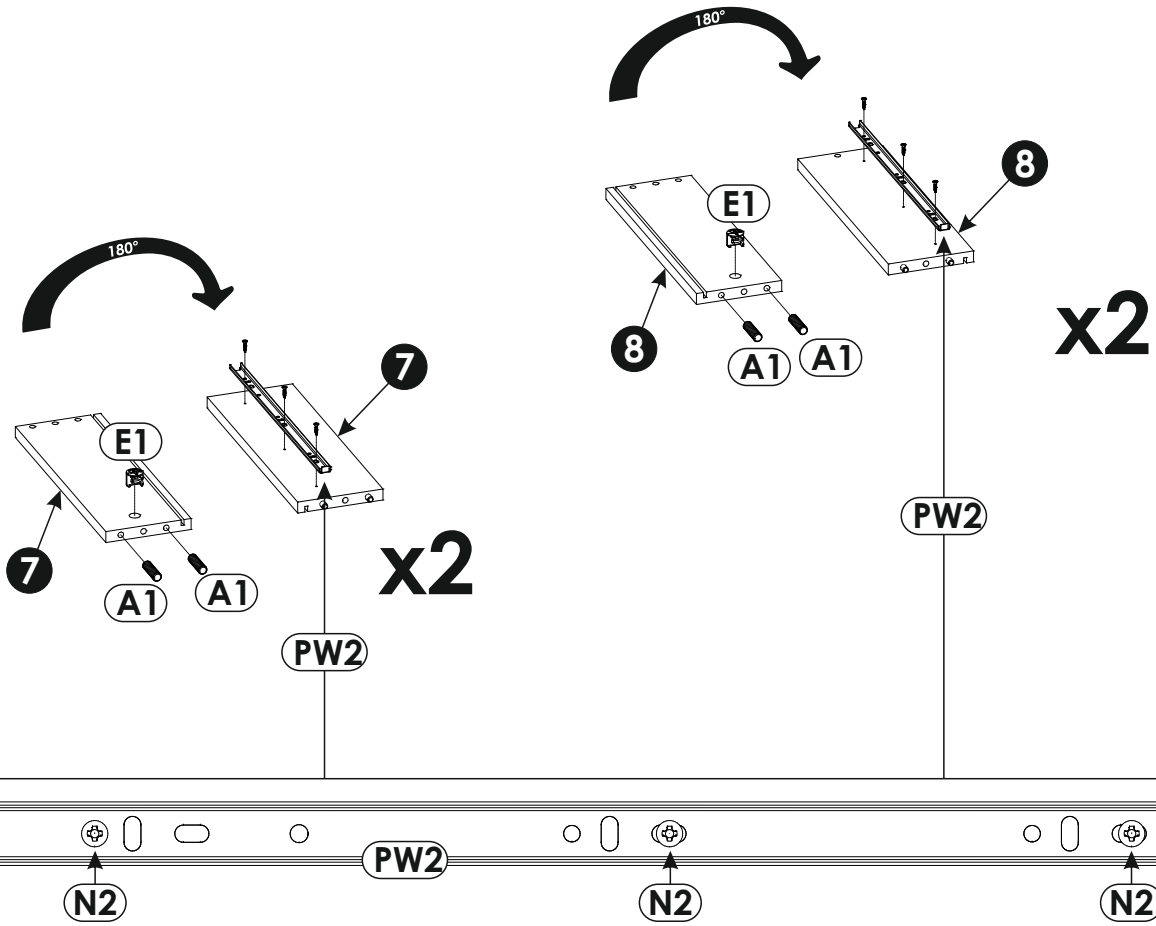
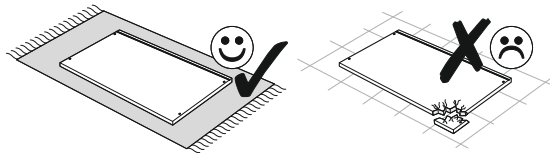




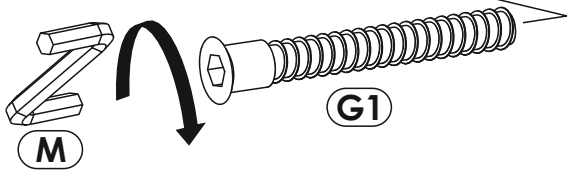
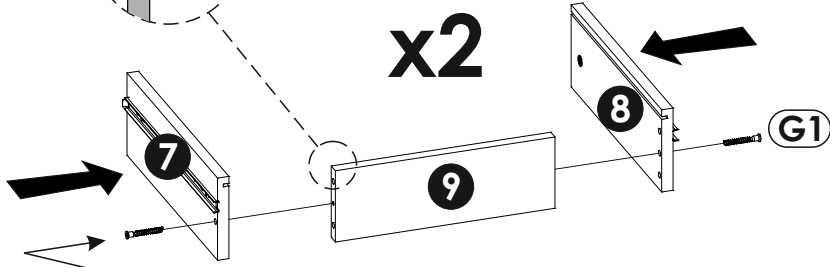
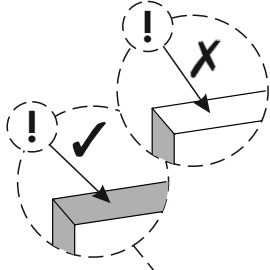
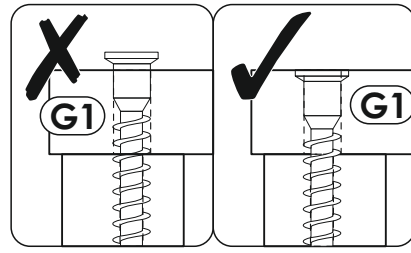
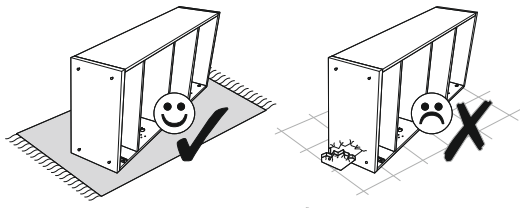
15▶



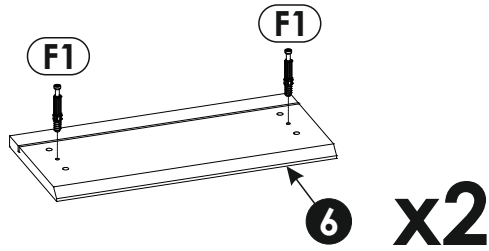
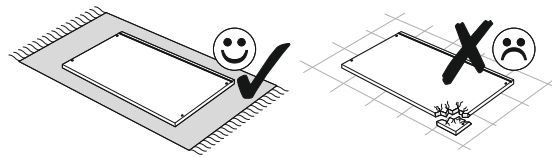
16▶



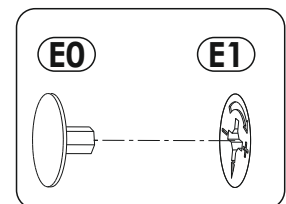
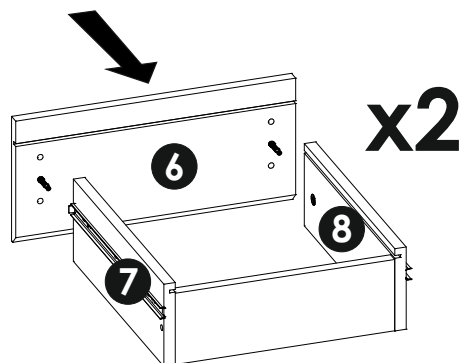
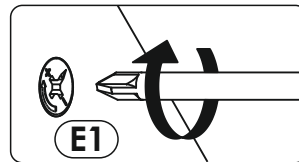
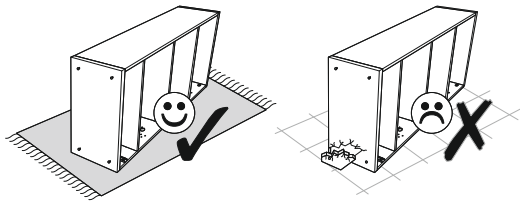
17 ▶



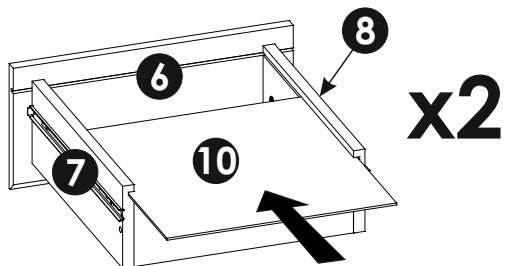
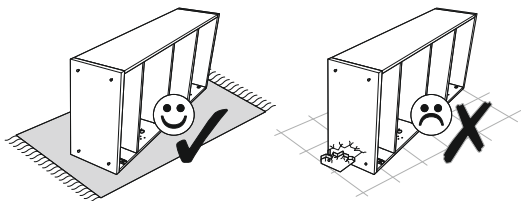
18 ▶



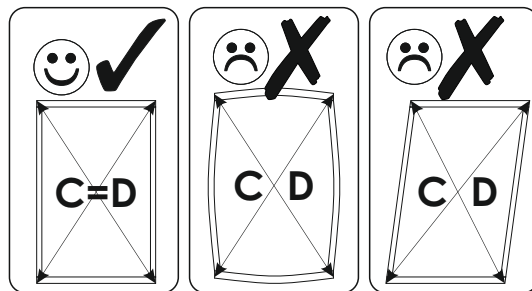
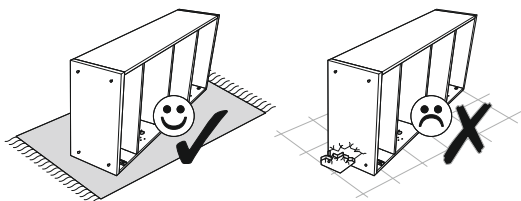
19 ▶



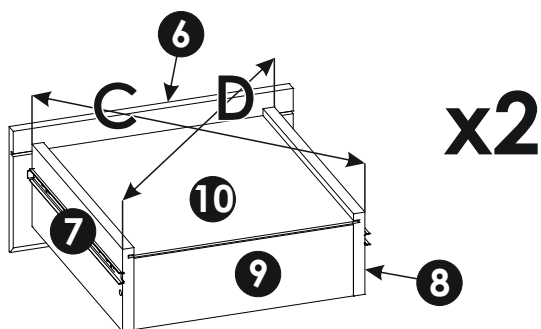
20 ▶



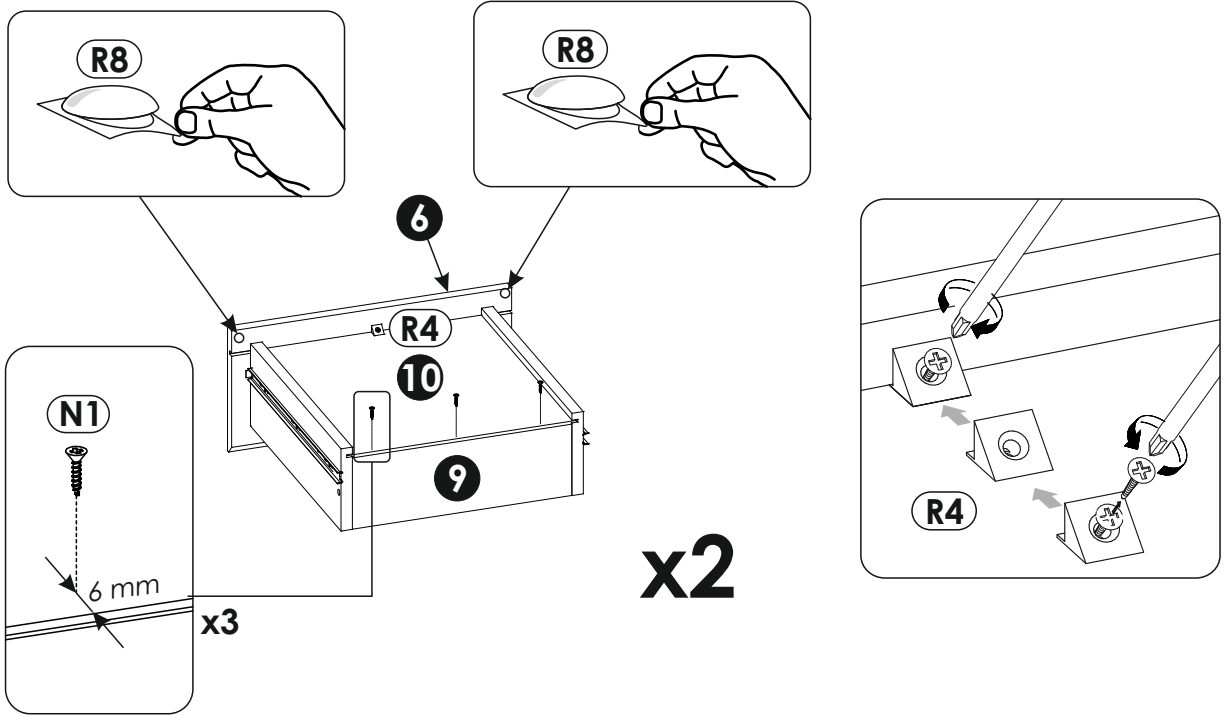
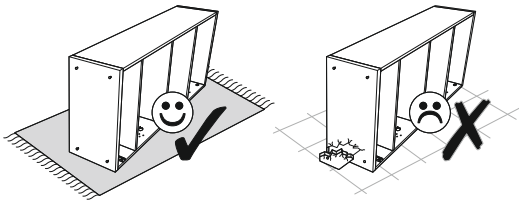
21 ▶



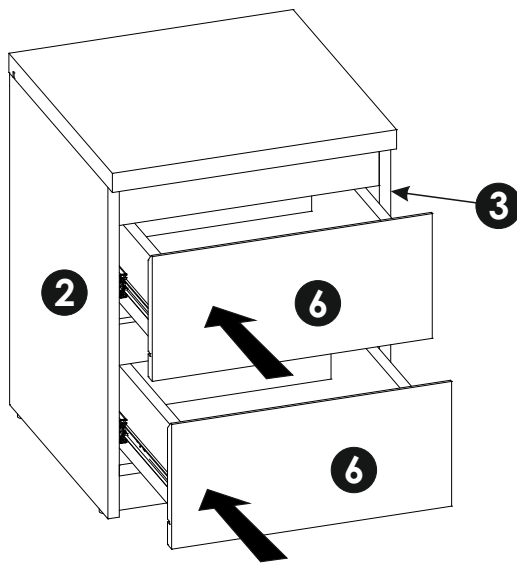
C=D

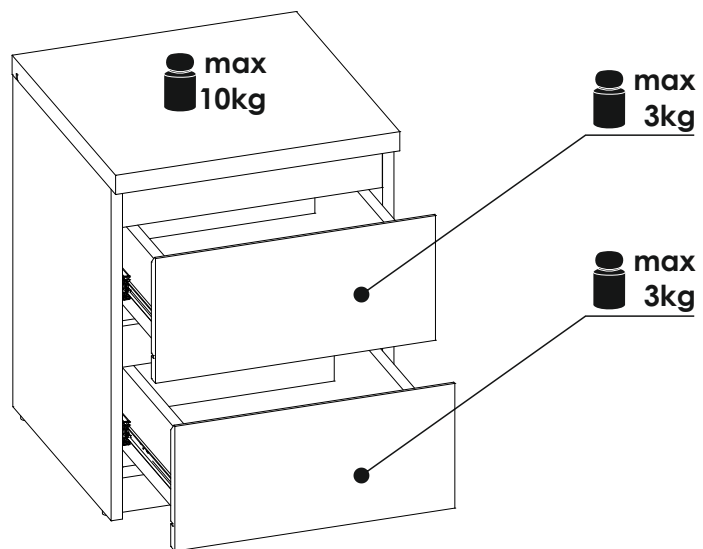


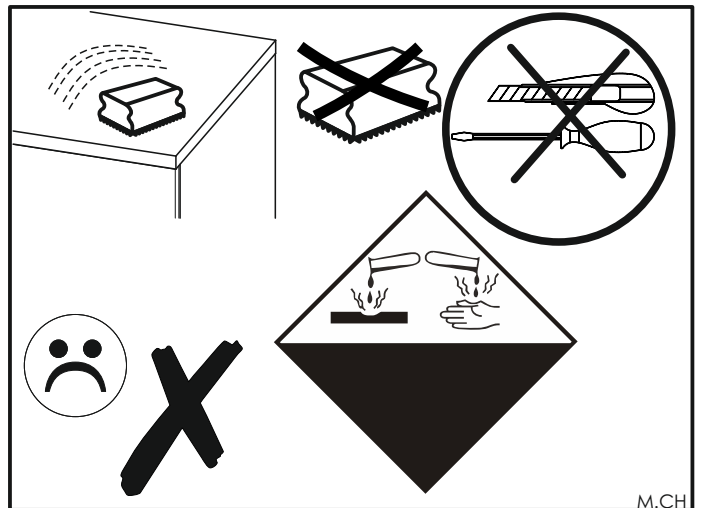
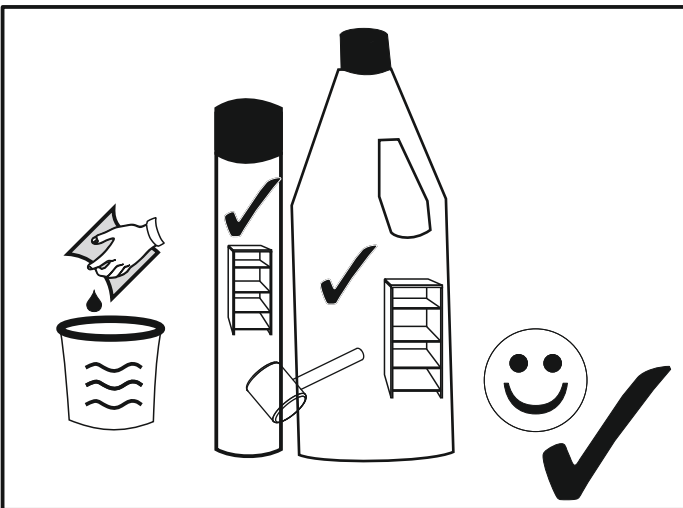
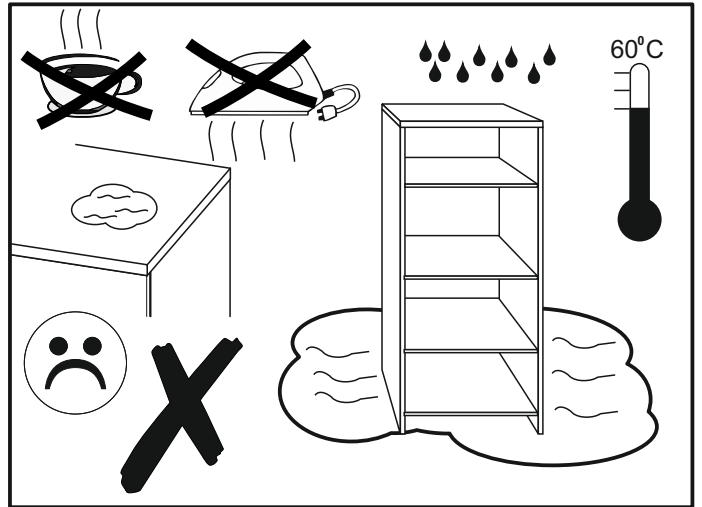
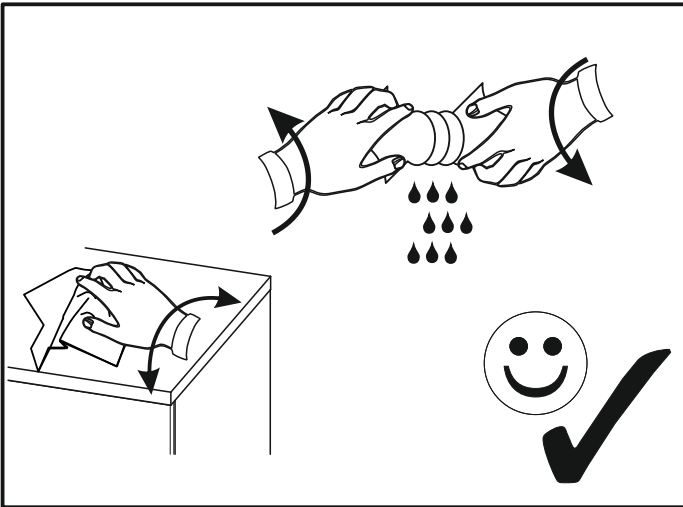
22▶



23▶

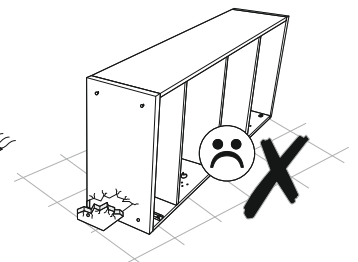
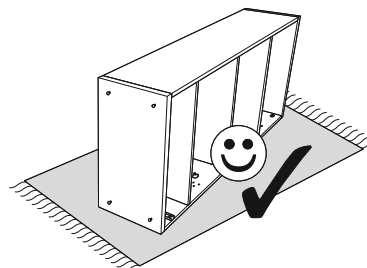
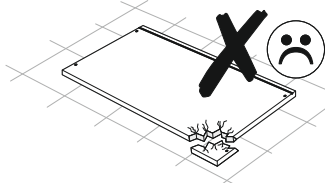
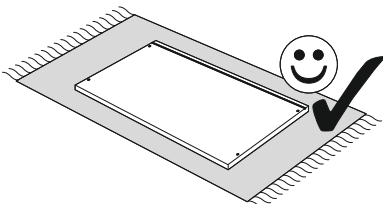
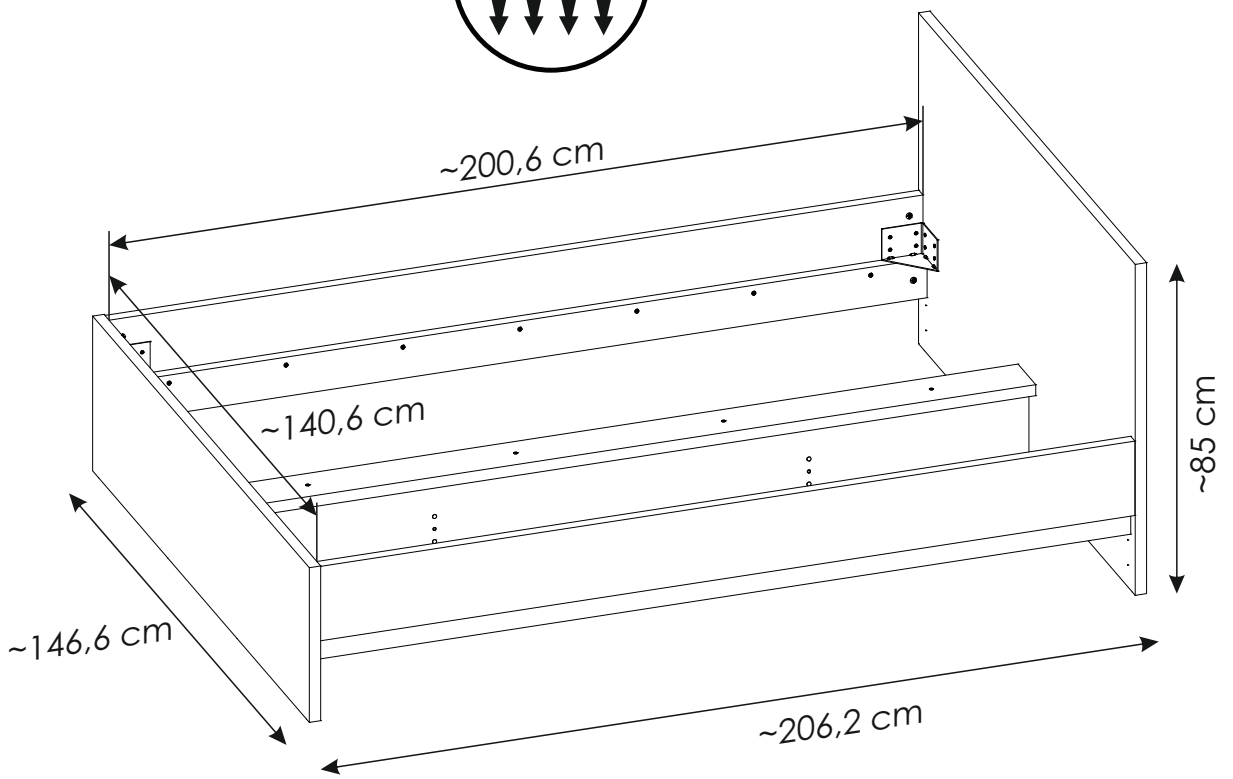
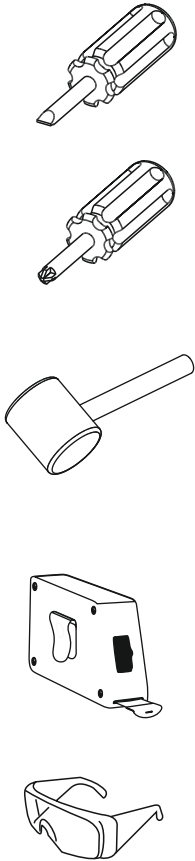


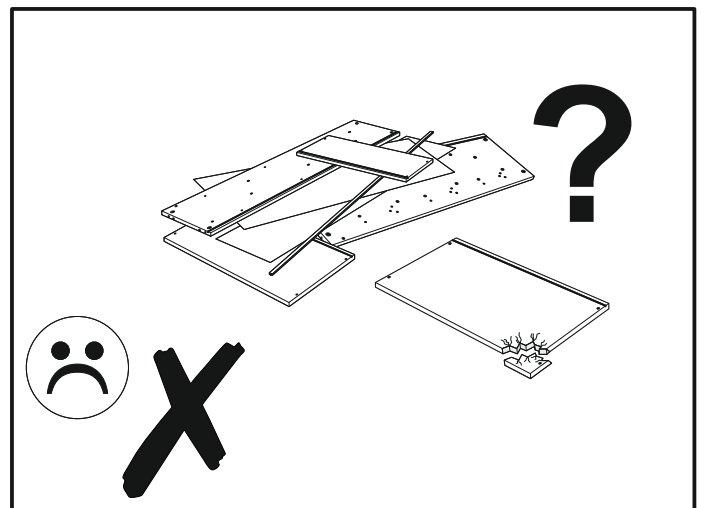
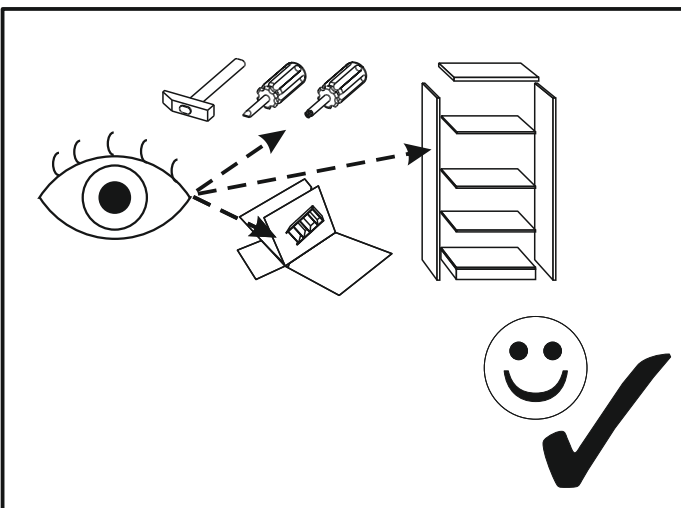
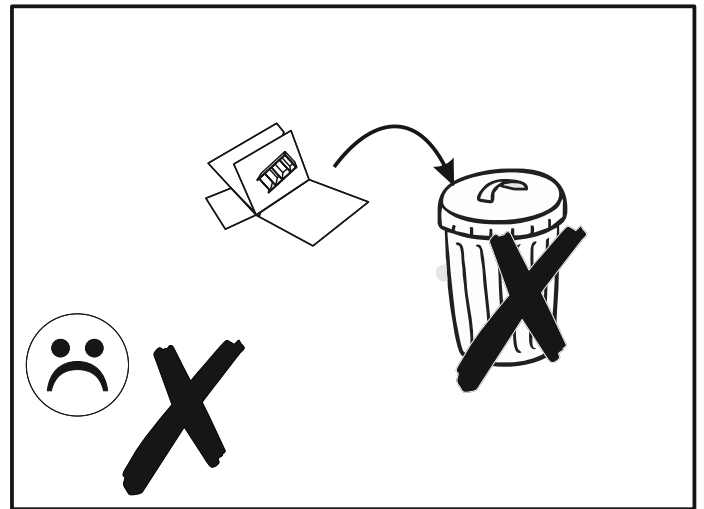
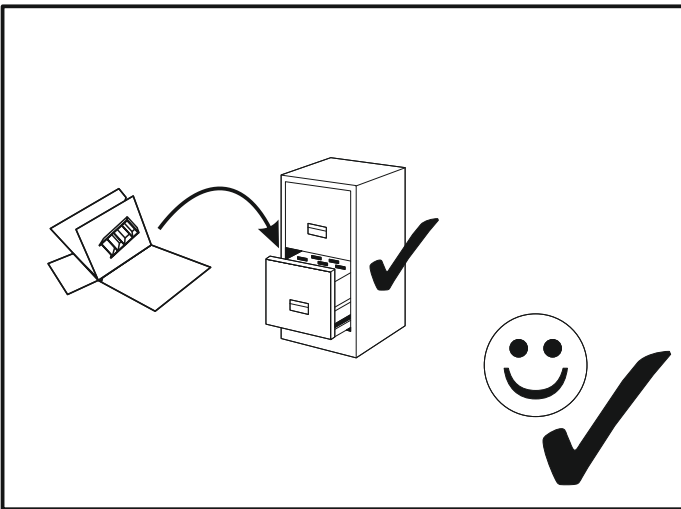
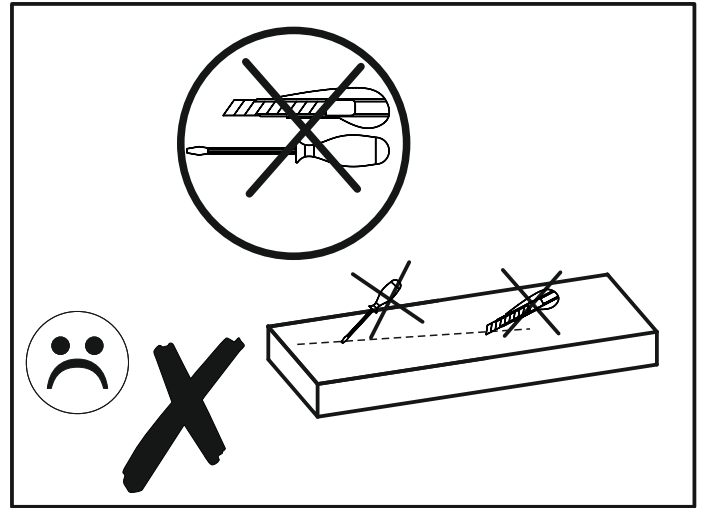
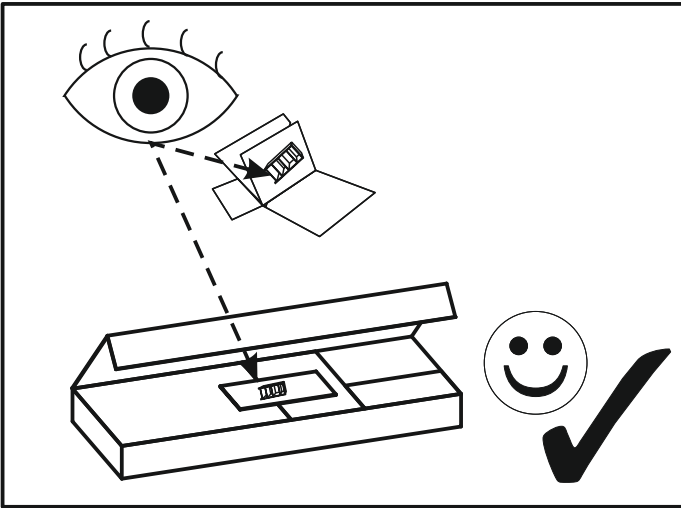


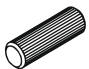


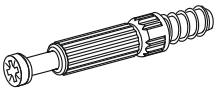

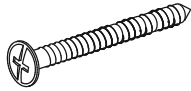
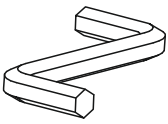
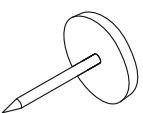
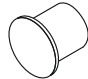
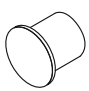
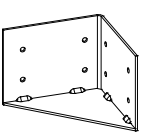


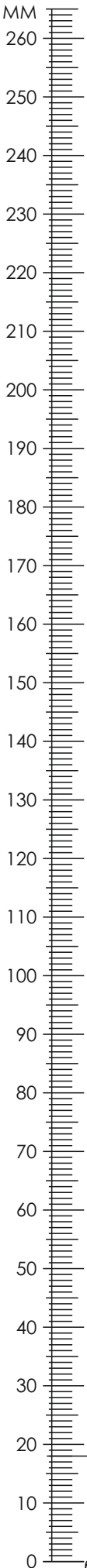


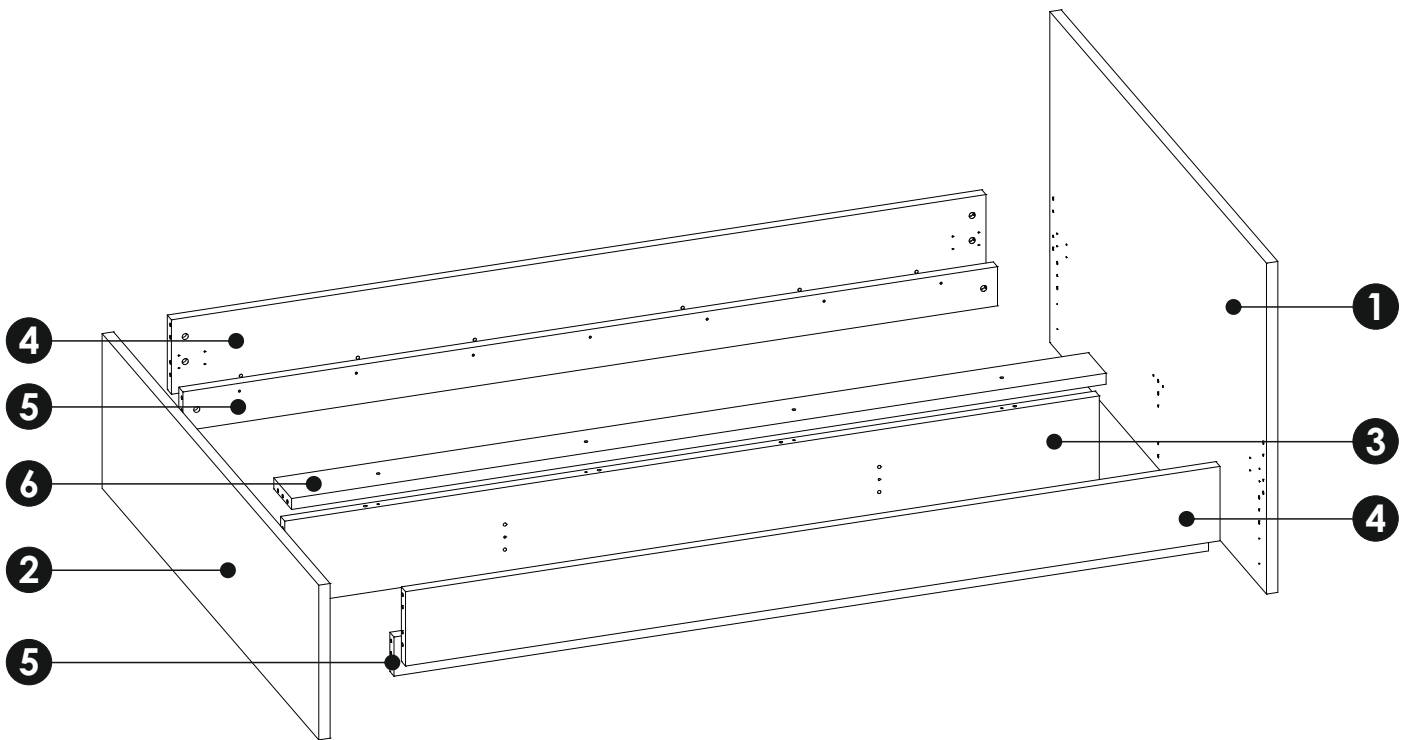
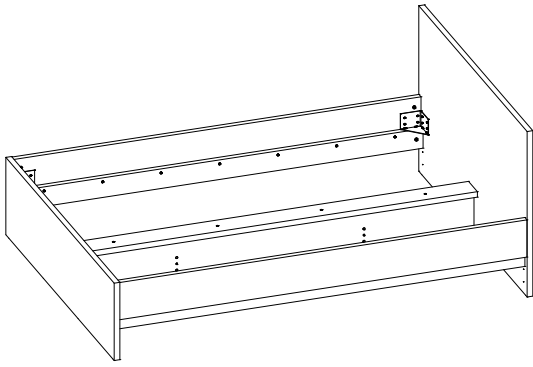
70 min



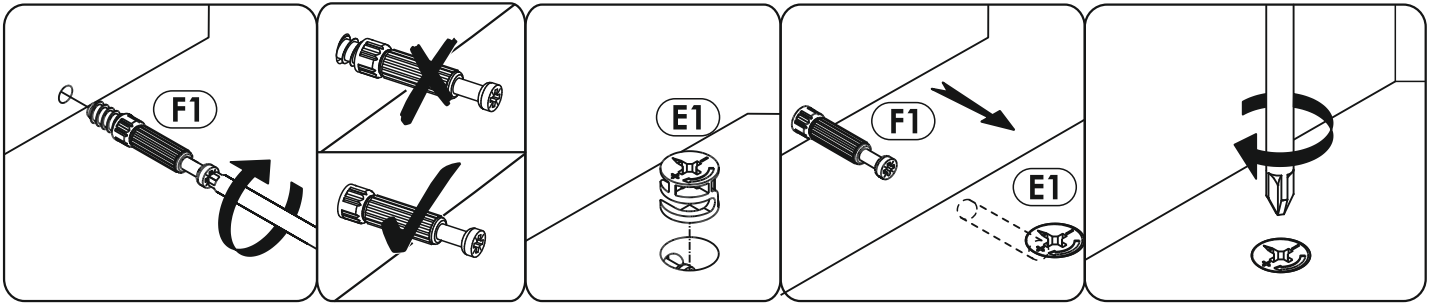


A1 8 x 35 mm x38 	C2 5 x 13 mm x32 	E1 15 x 12 mm x20 
F1 6 x 34 mm x20 	G2 7 x 60 mm x4 	I15 4 x 50 mm x14 
M x1 	O2 x12 	P0 x4  Ø5
P2 x8  Ø8	W x4 	

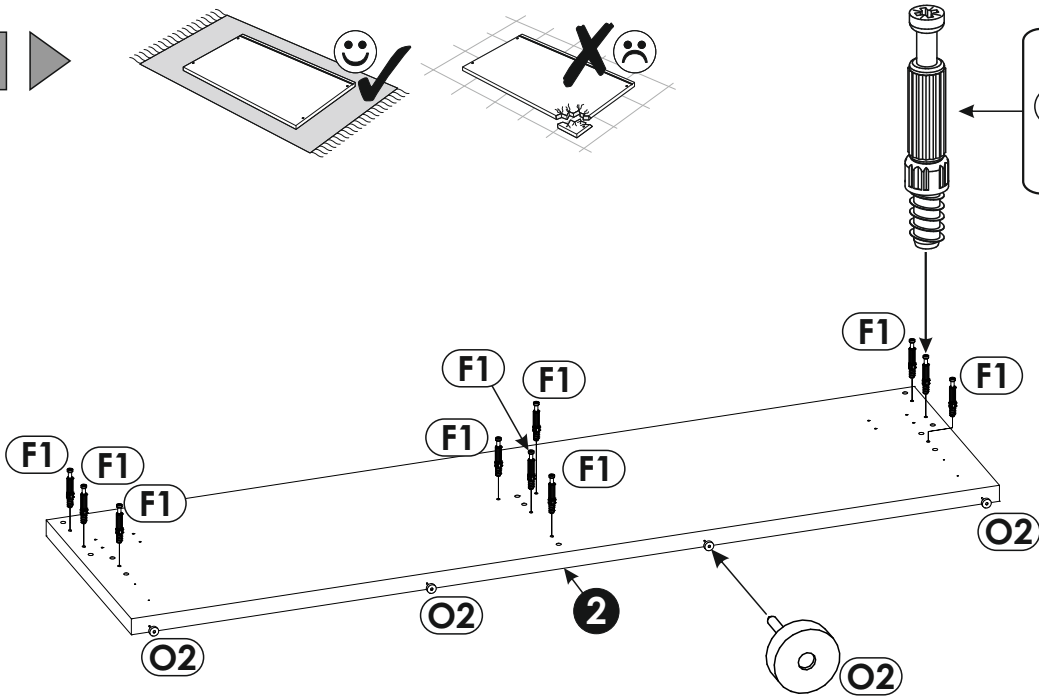
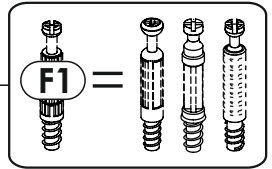
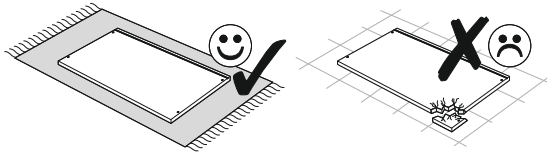




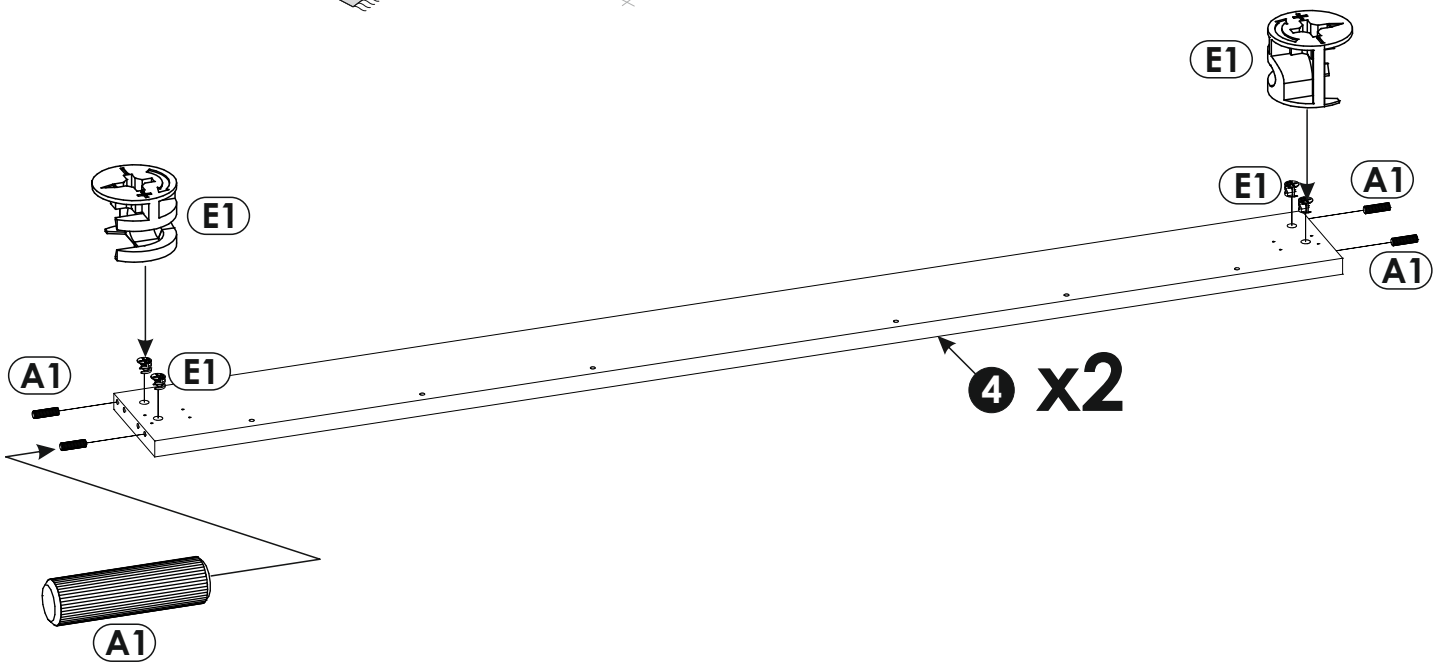
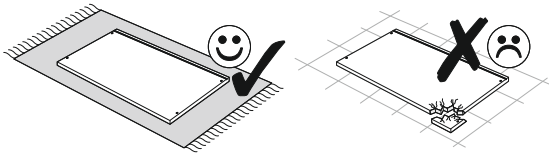
1	1466	845	28	x1	3/3
2	1466	395	28	x1	2/3
3	215	2006	28	x1	2/3
4	2006	190	28	x2	1/3
5	100	2006	28	x2	1/3
6	120	2006	28	x1	2/3



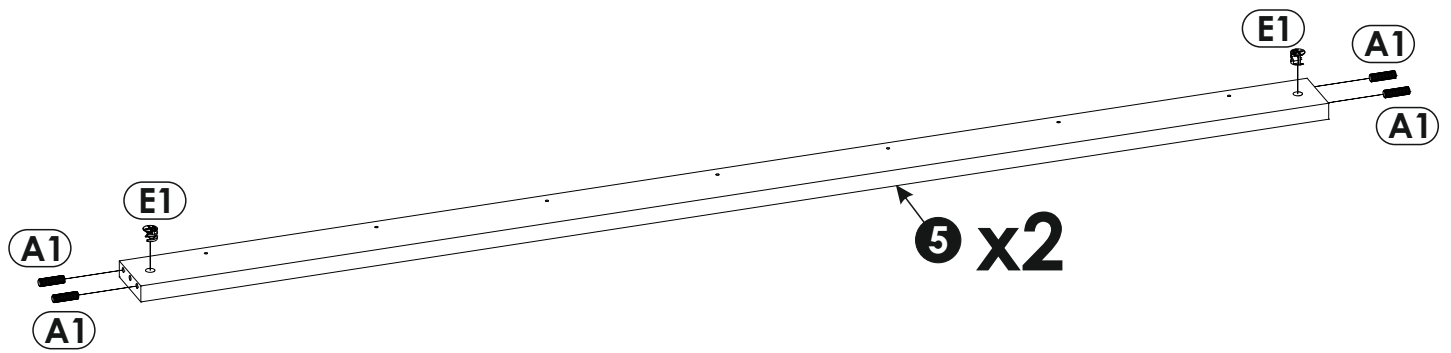
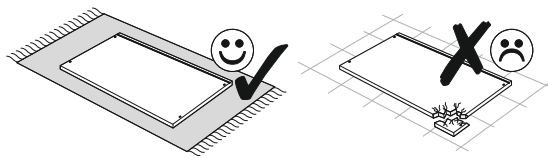
1 ▶



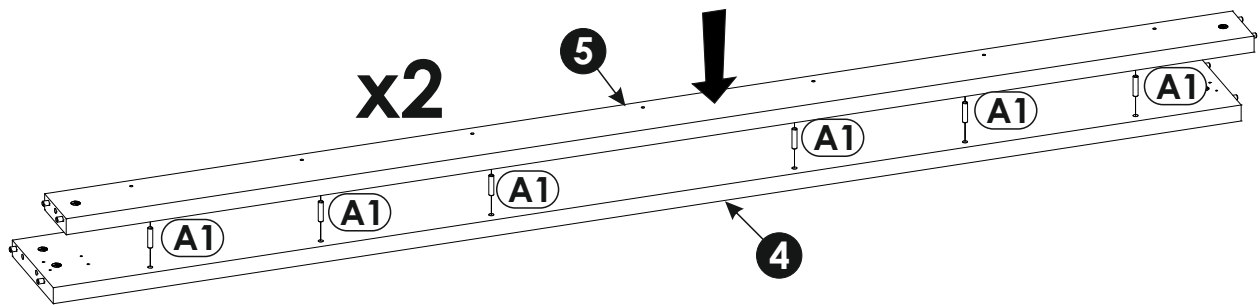
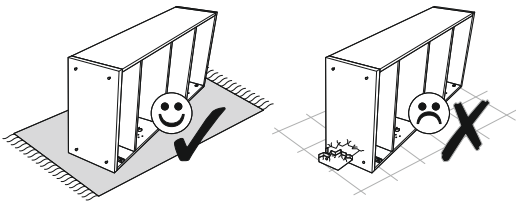
2 ▶

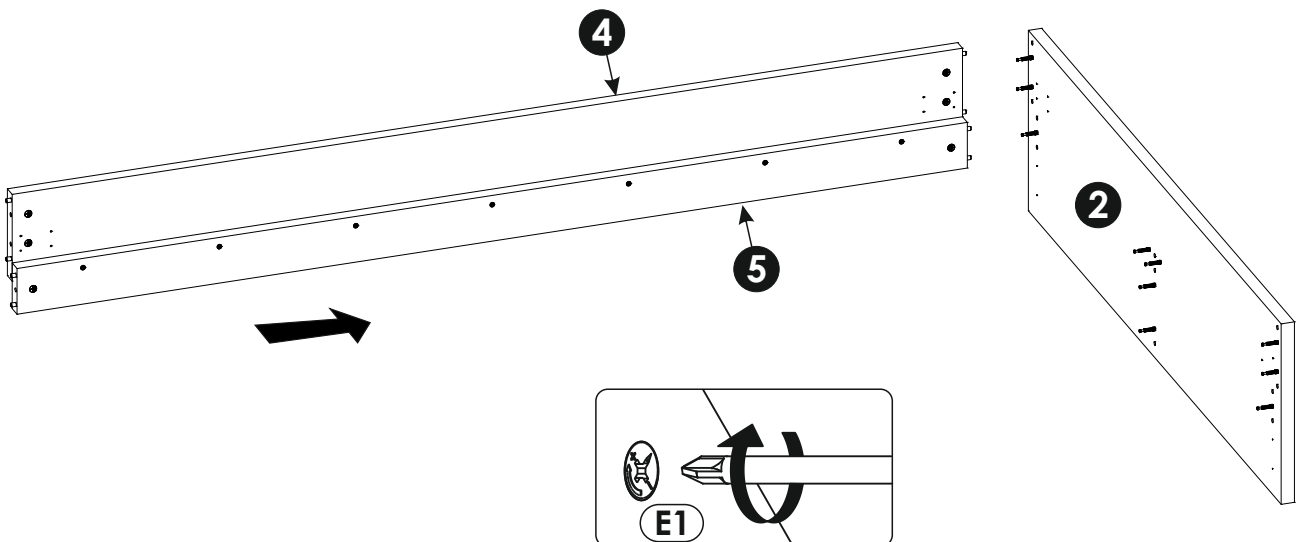
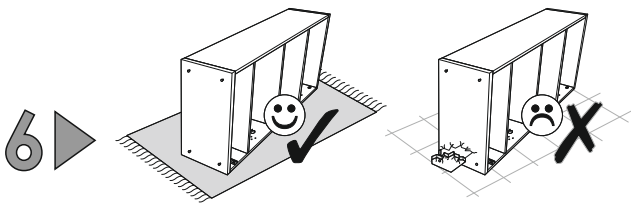
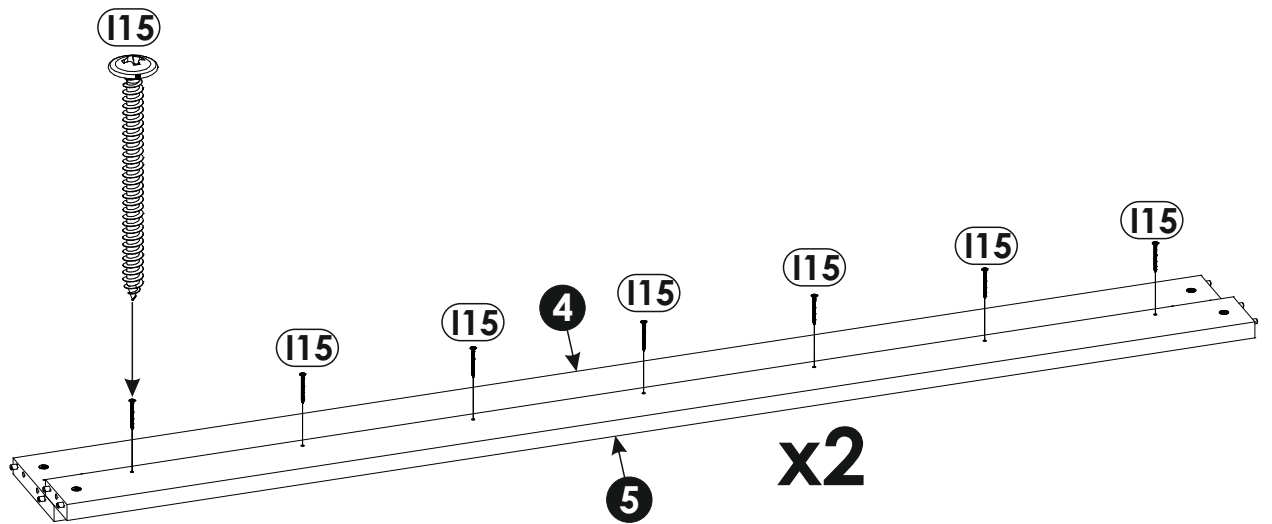
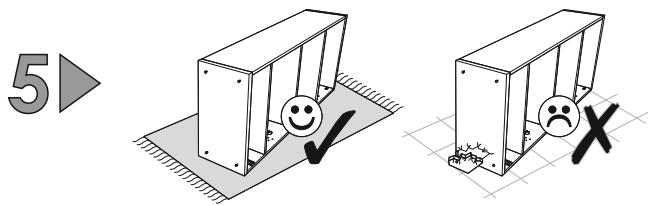


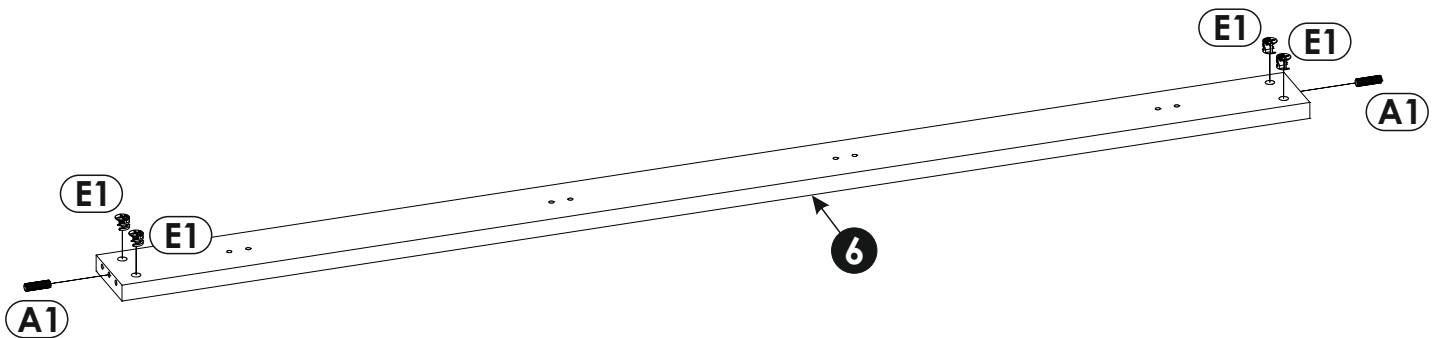
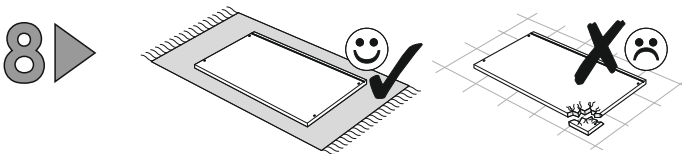
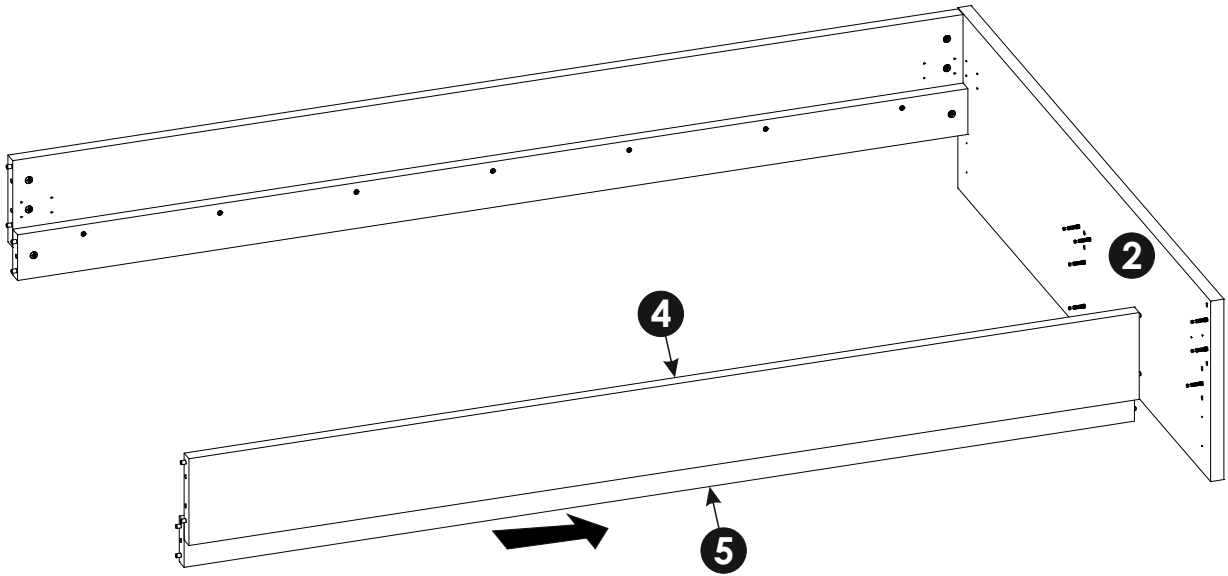
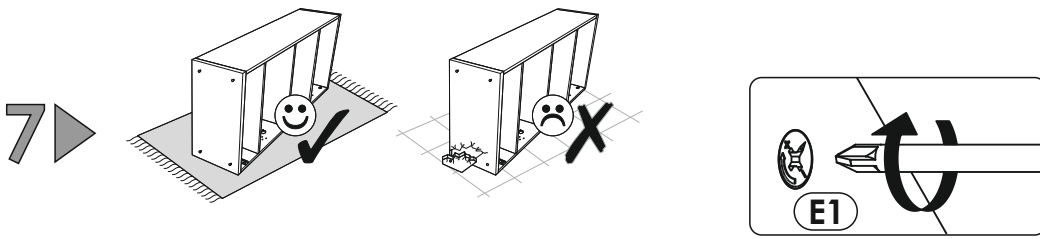
3 ▶

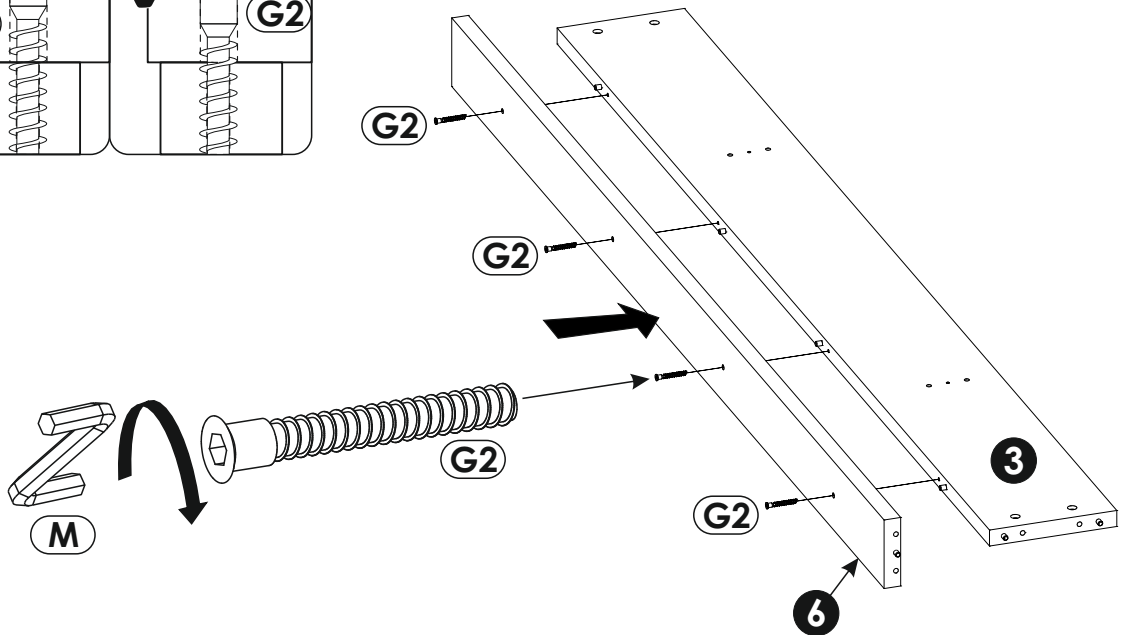
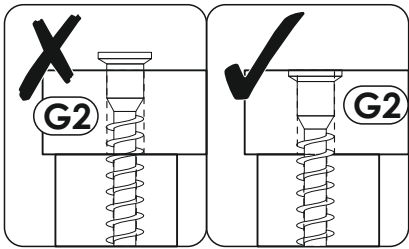
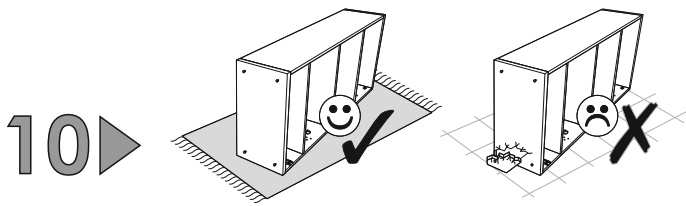
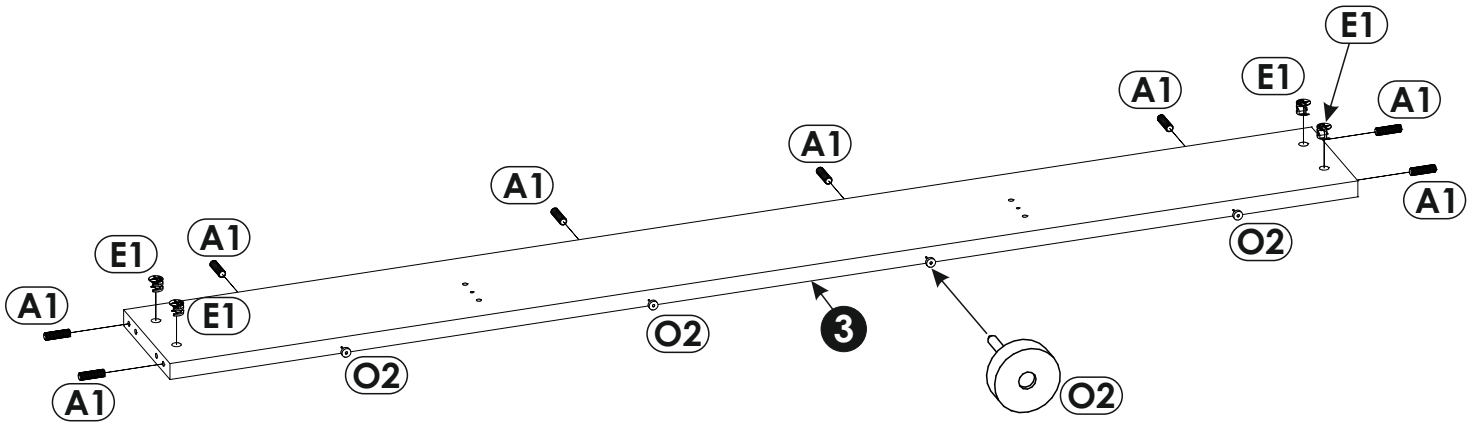
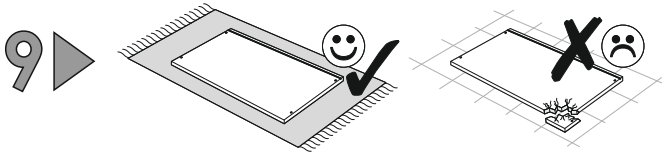


4 ▶

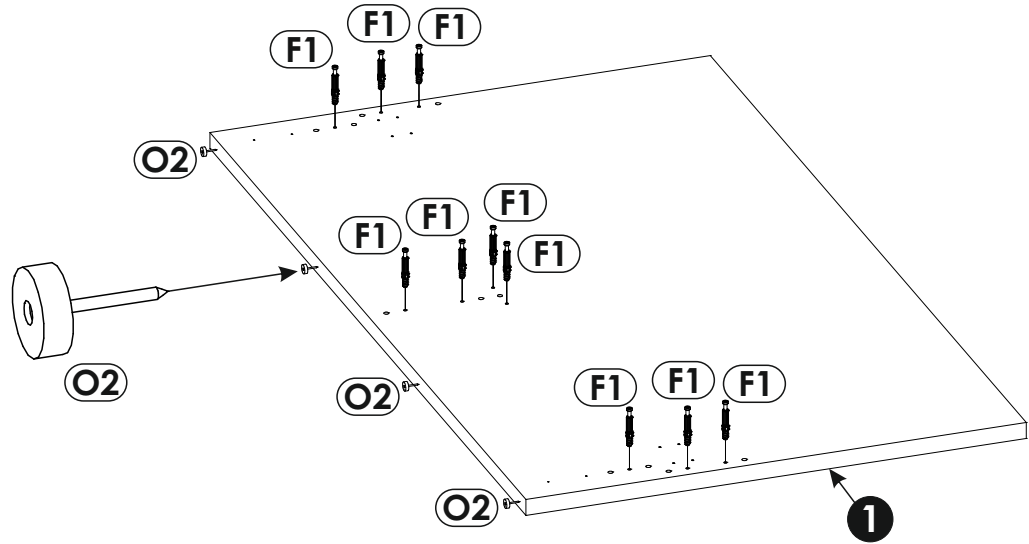
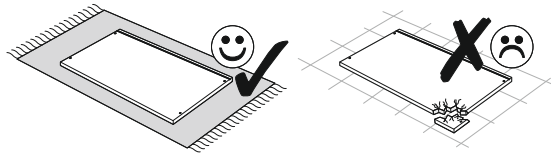




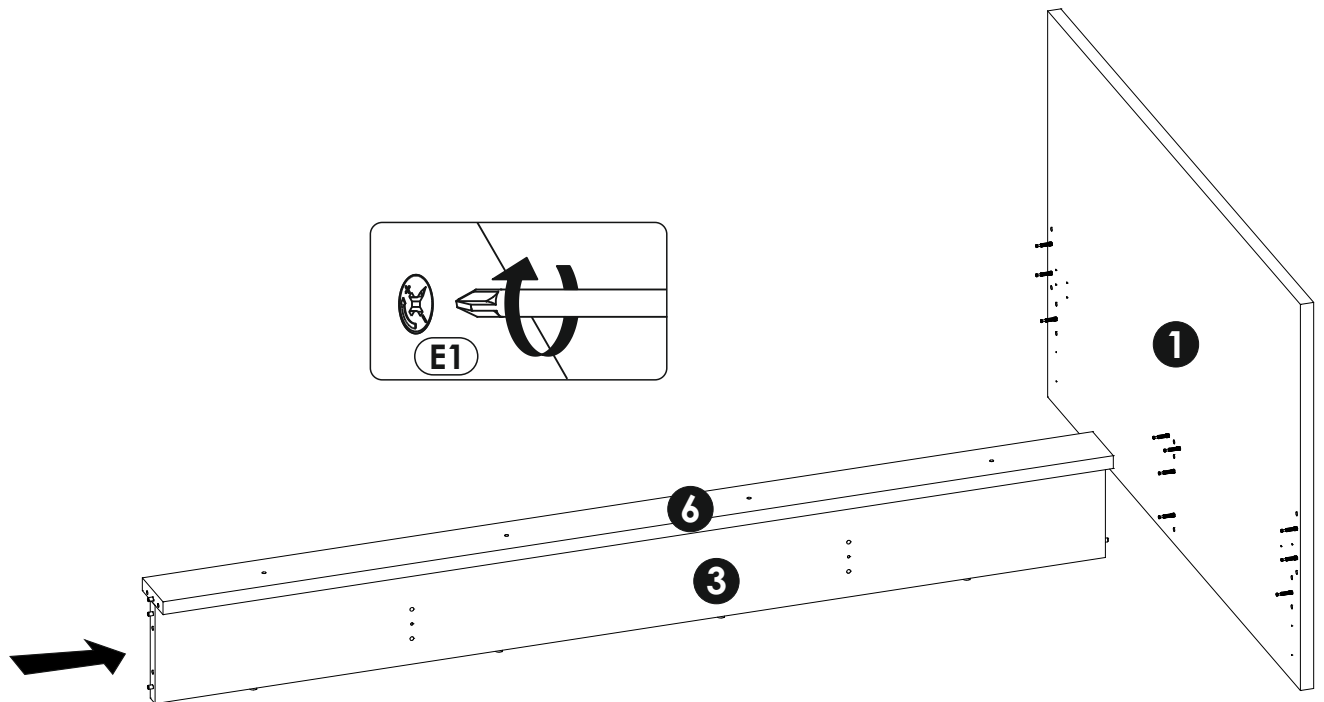
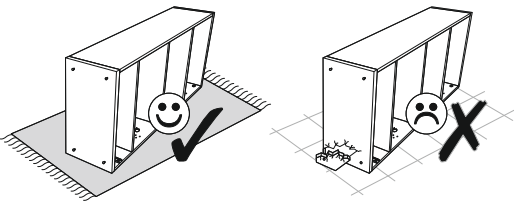




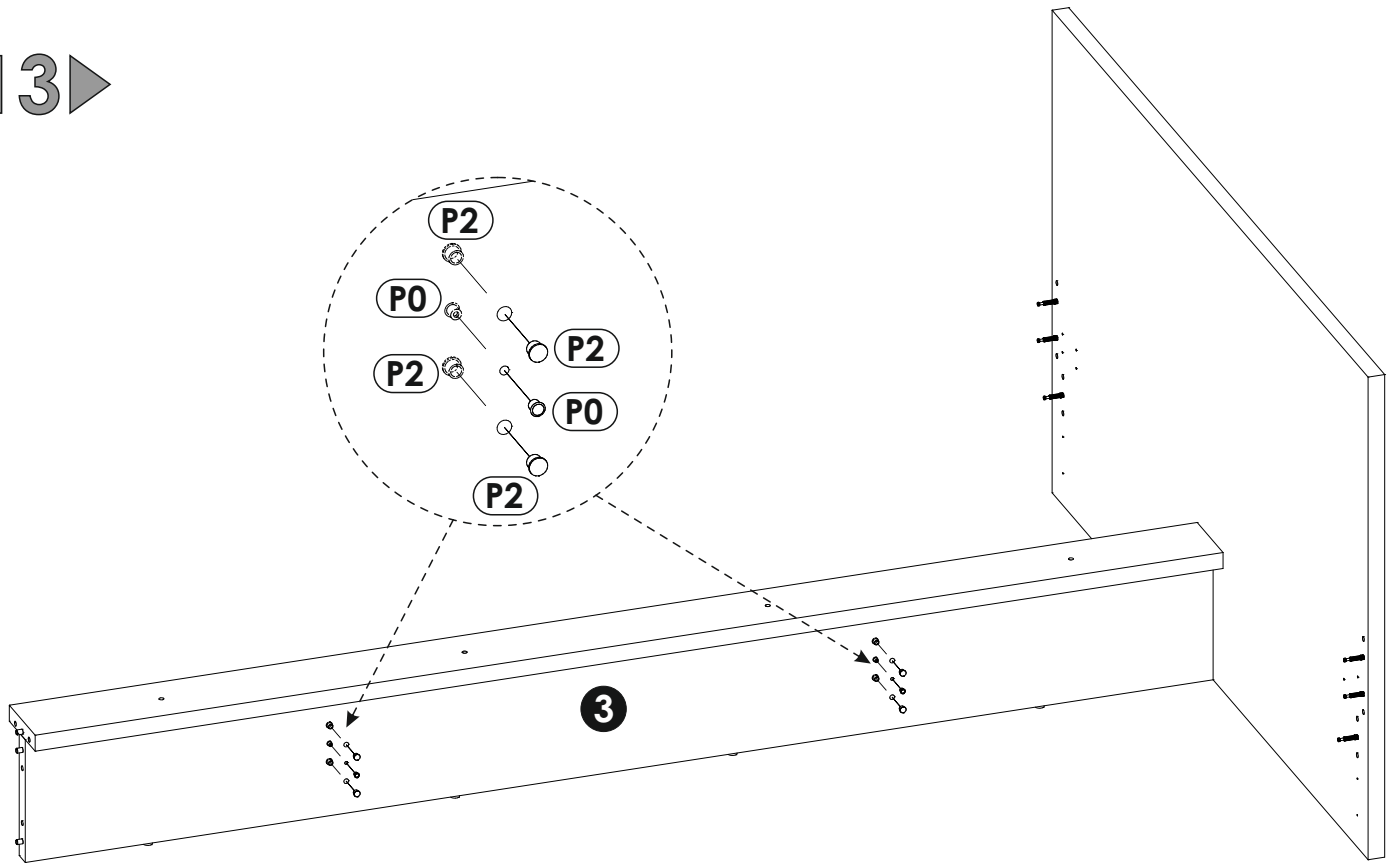
11 ▶



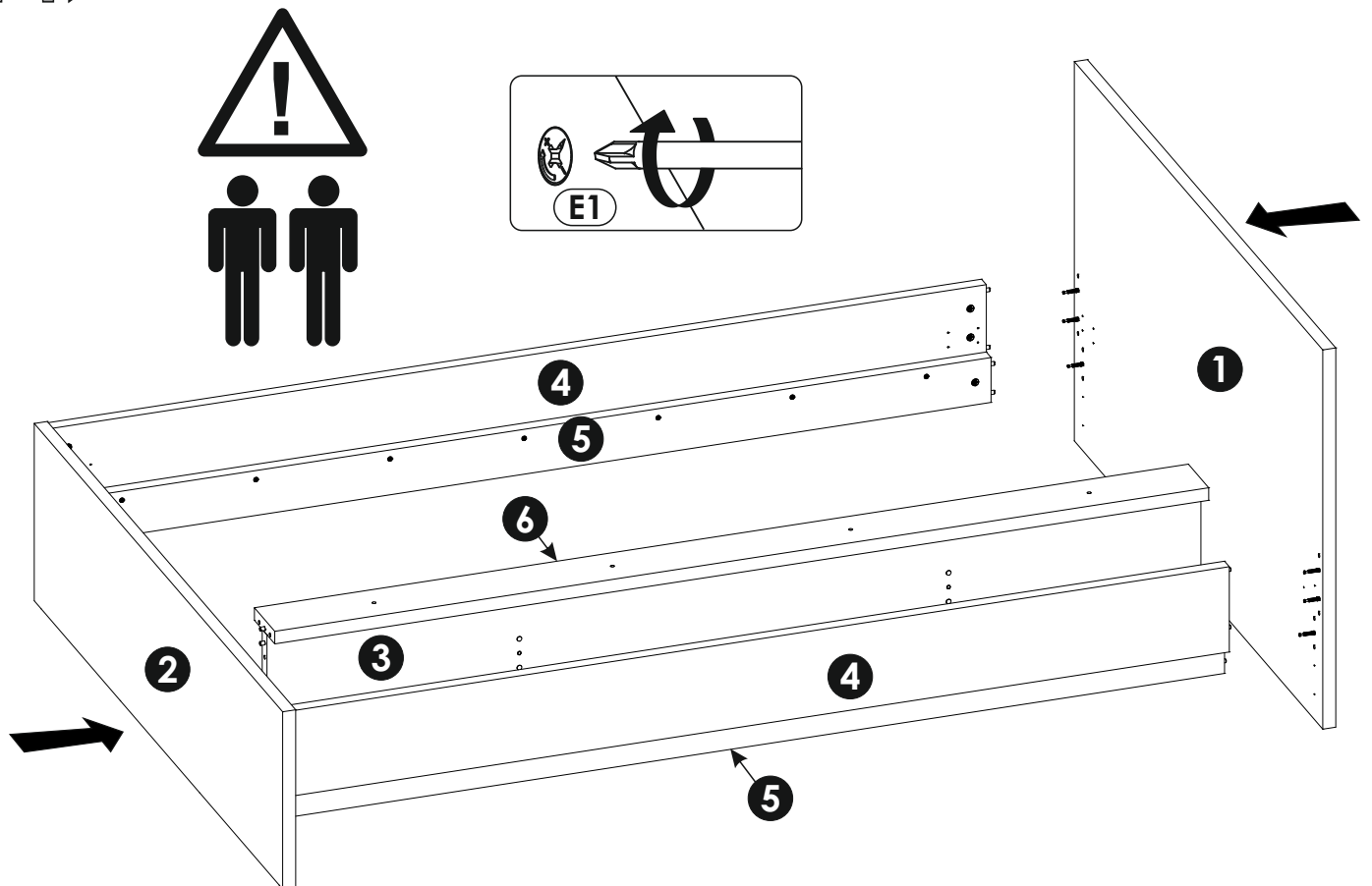
12 ▶



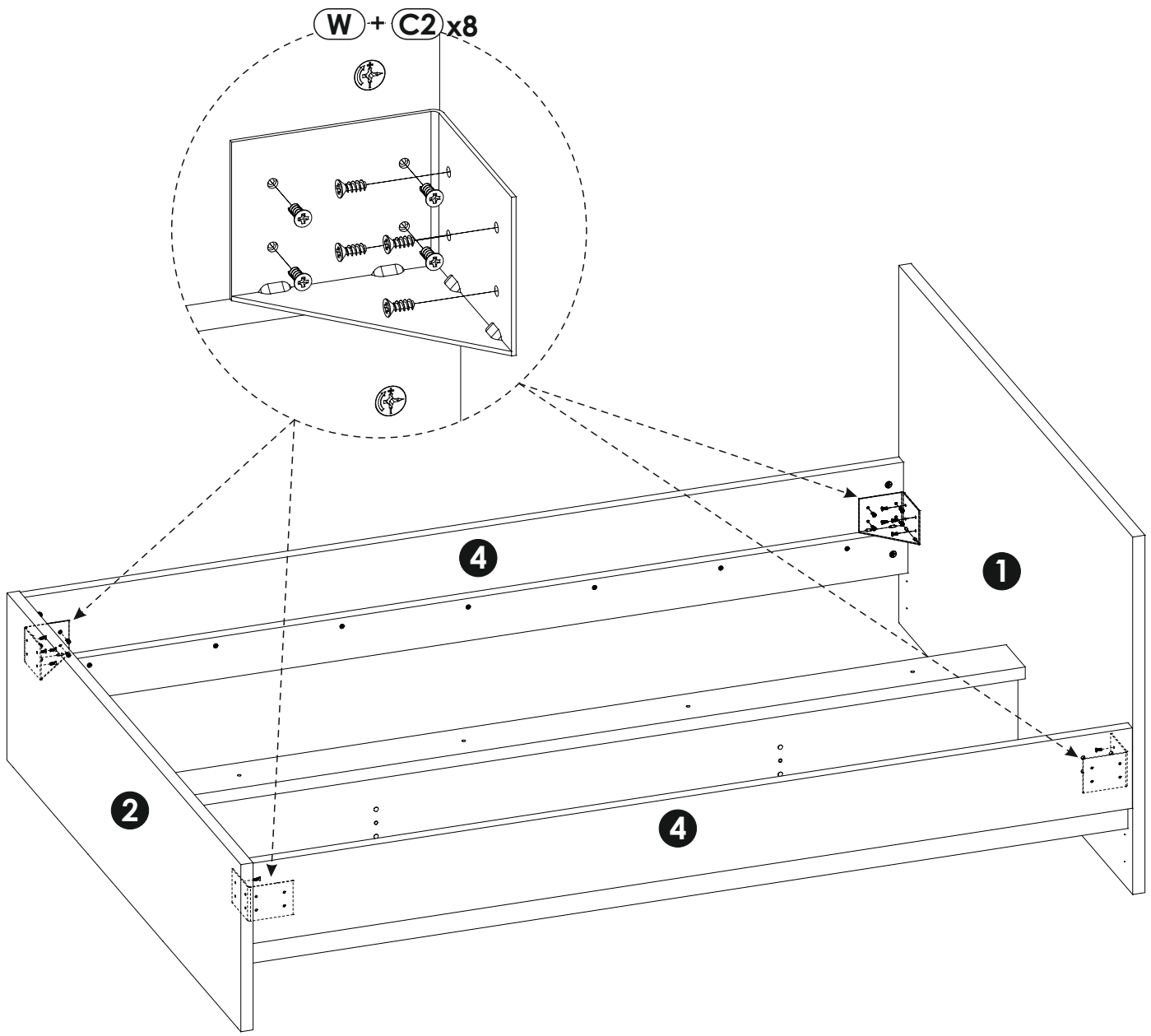
13 ▶

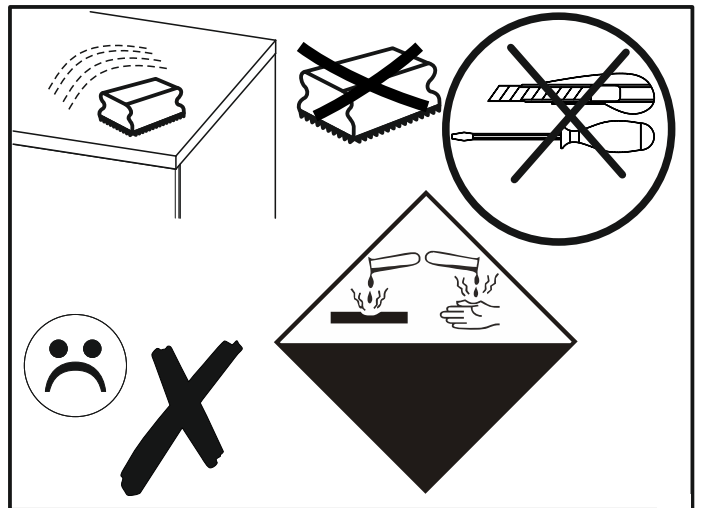
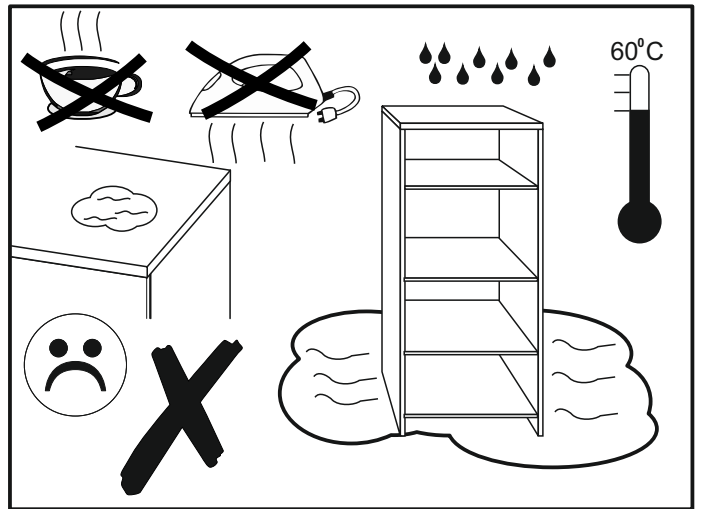


14 ▶



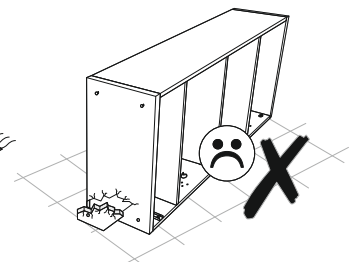
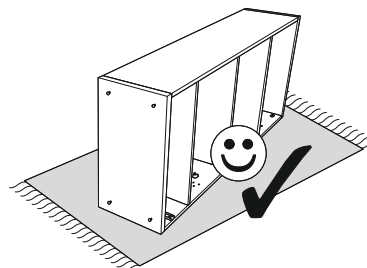
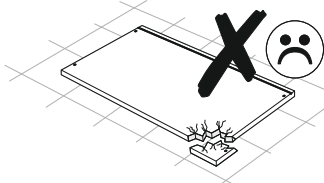
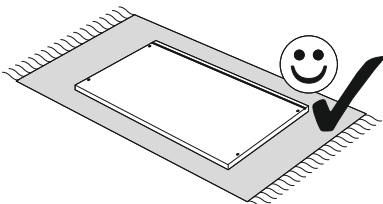
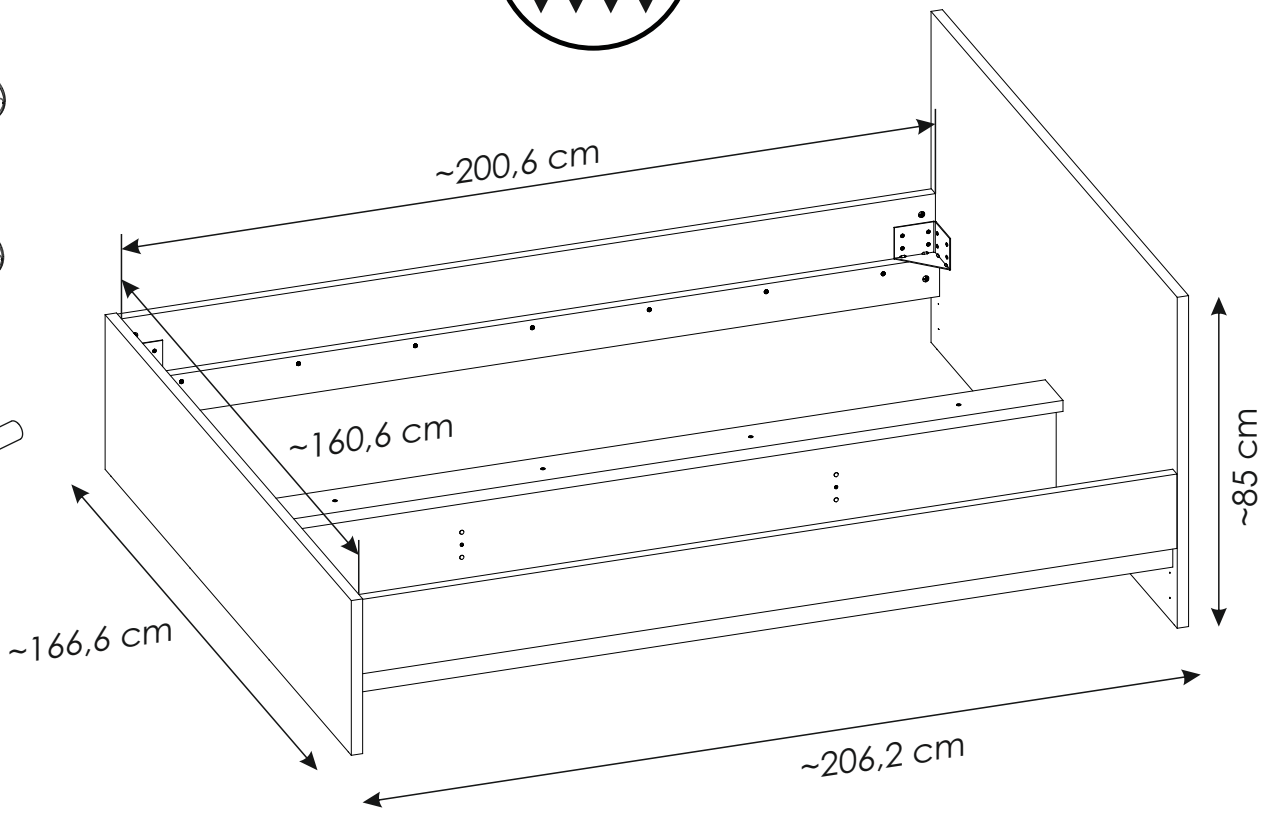
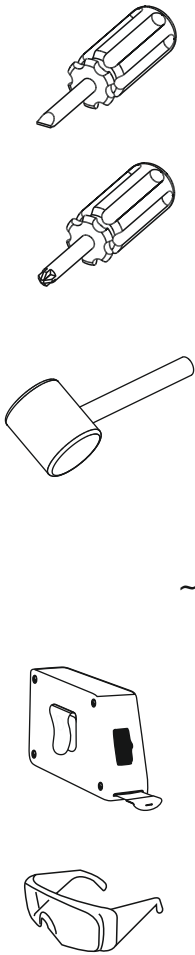
15▶

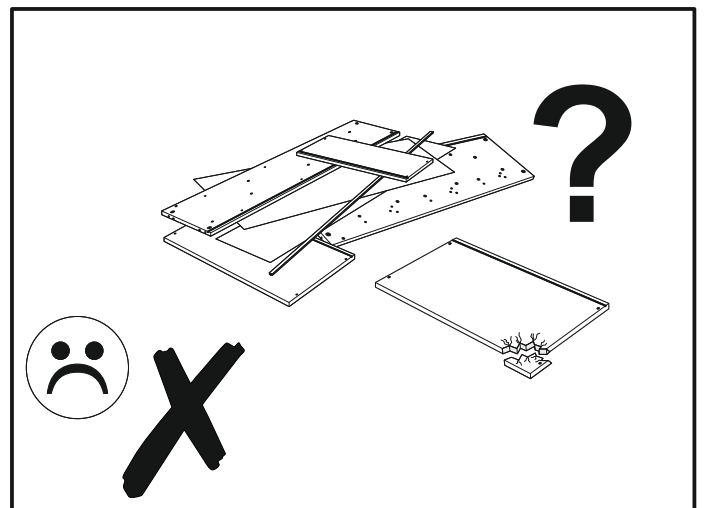
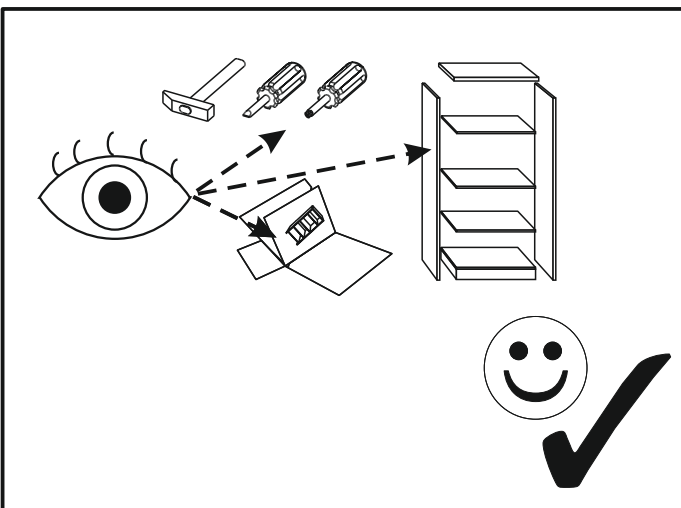
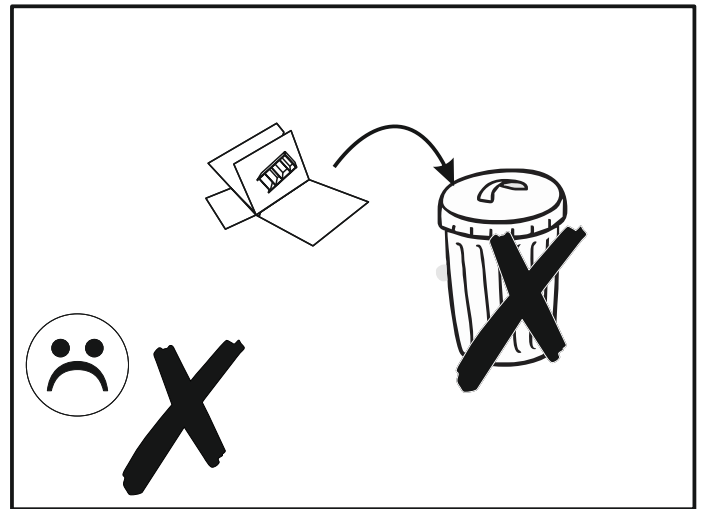
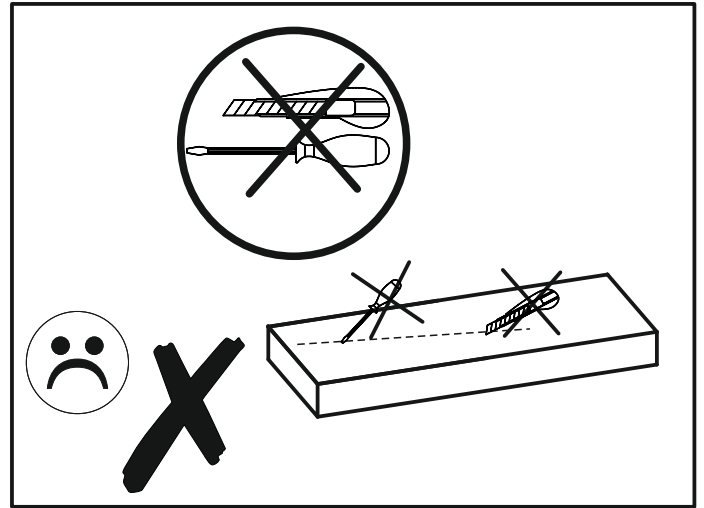


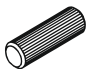


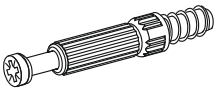

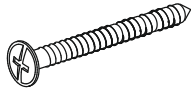
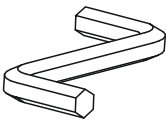
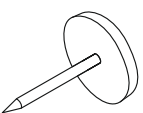
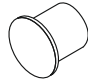
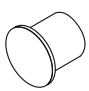
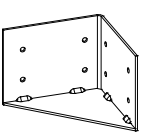


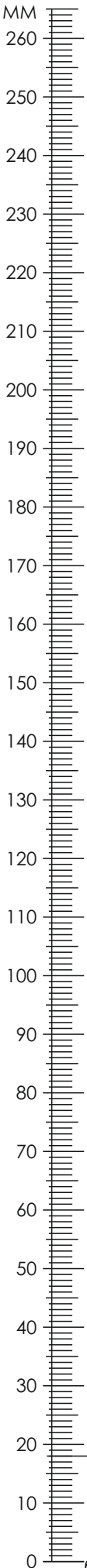


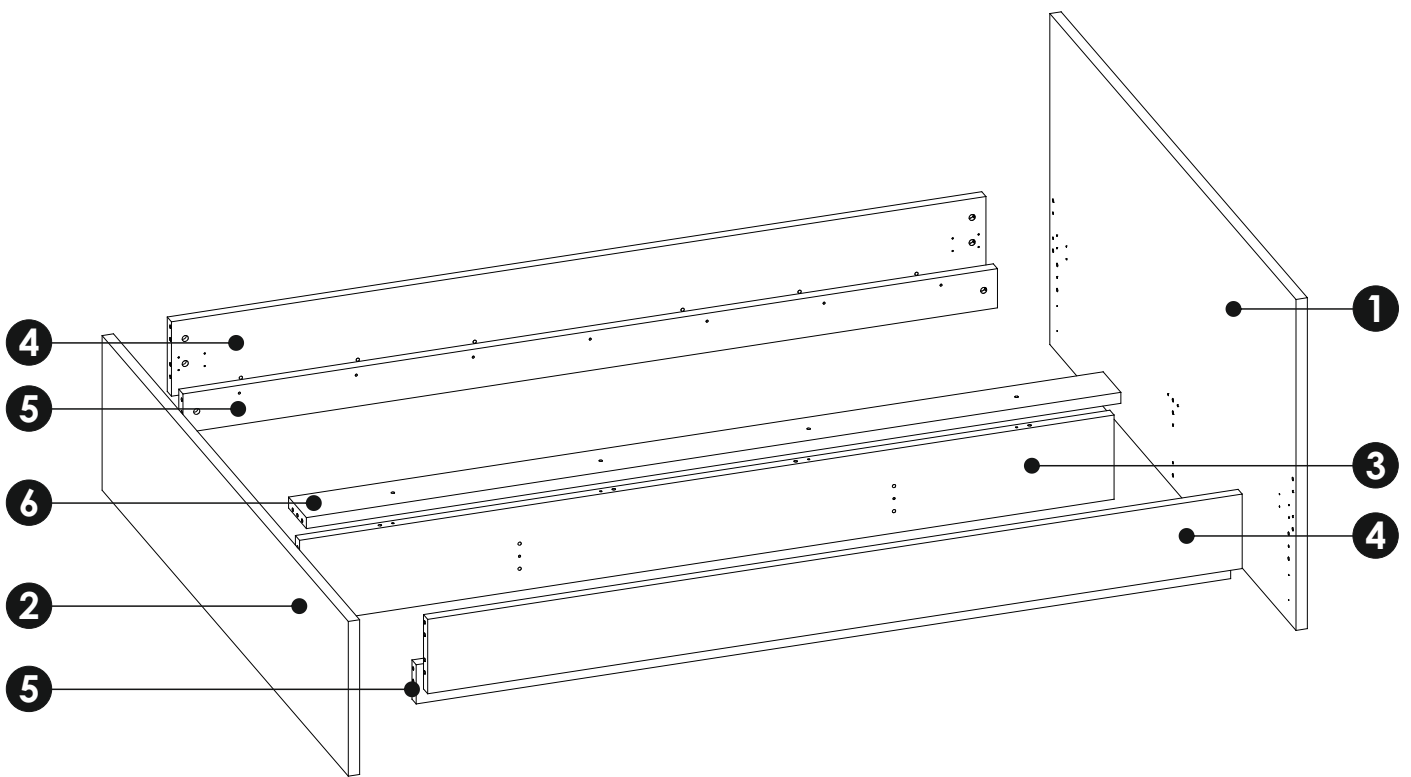
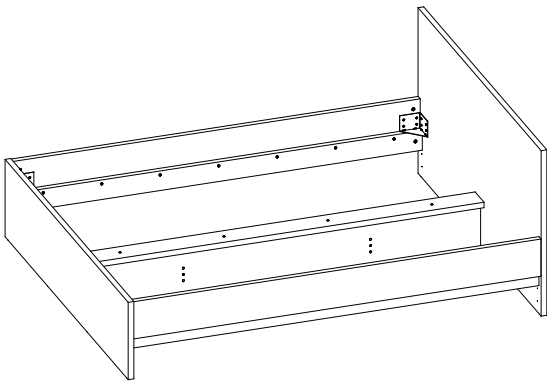
70 min





A1 8 x 35 mm x38 	C2 5 x 13 mm x32 	E1 15 x 12 mm x20 
F1 6 x 34 mm x20 	G2 7 x 60 mm x4 	I15 4 x 50 mm x14 
M x1 	O2 x12 	P0 x4  Ø5
P2 x8  Ø8	W x4 	

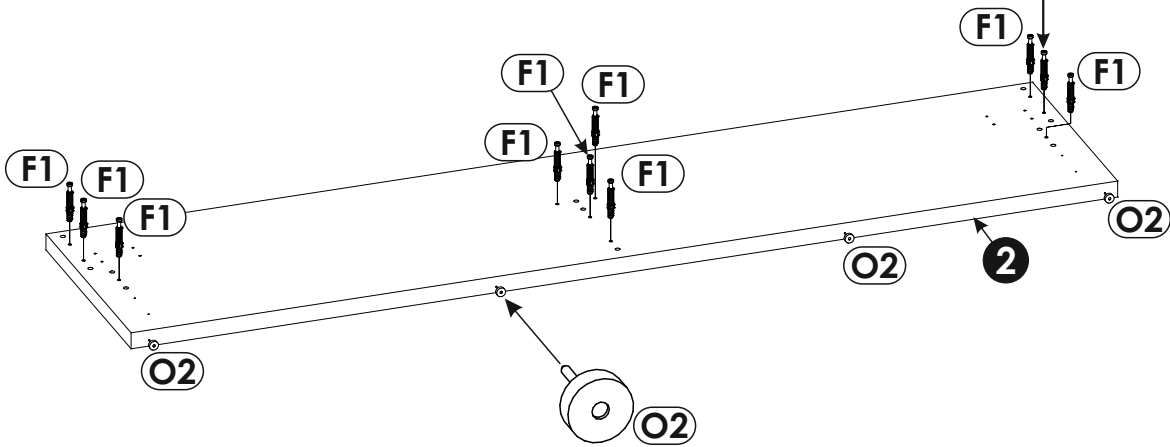
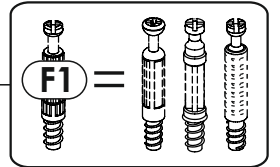
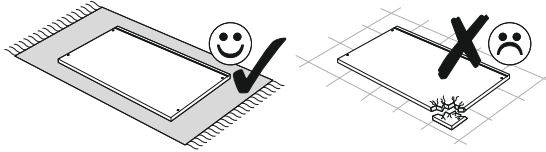




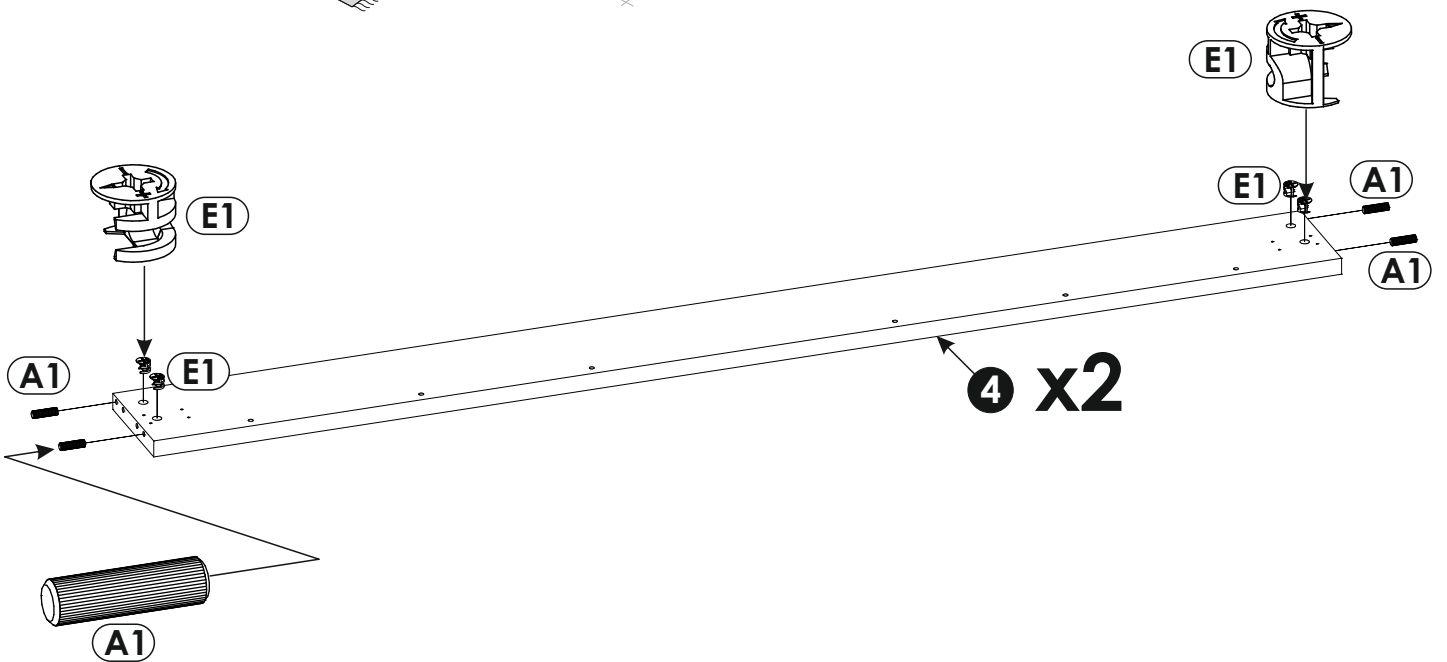
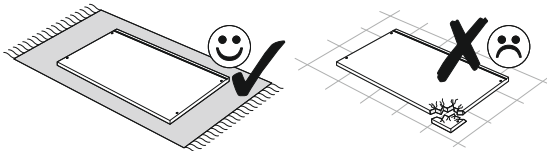
1	1666	845	28	x1	3/3
2	1666	395	28	x1	2/3
3	215	2006	28	x1	2/3
4	2006	190	28	x2	1/3
5	100	2006	28	x2	1/3
6	120	2006	28	x1	2/3



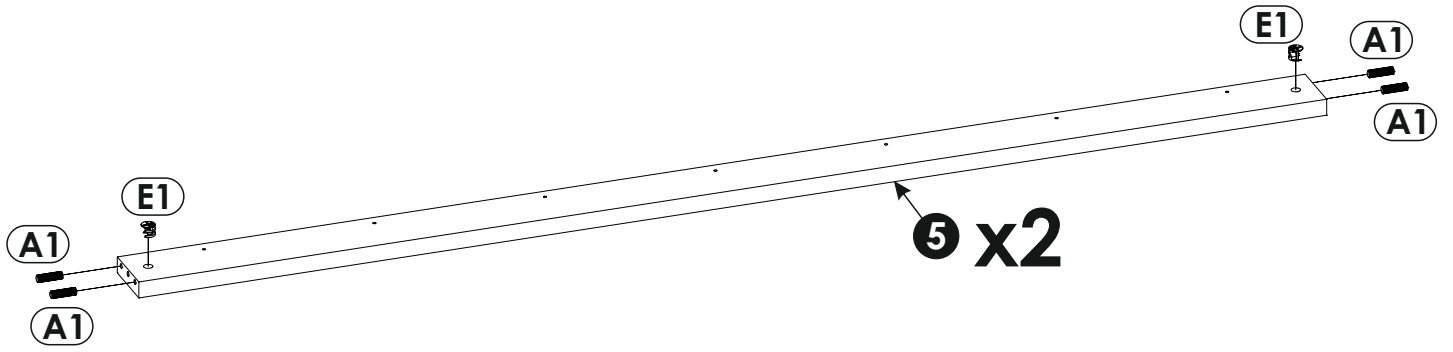
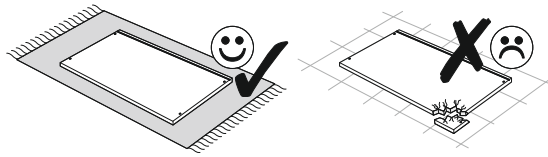
1 ▶



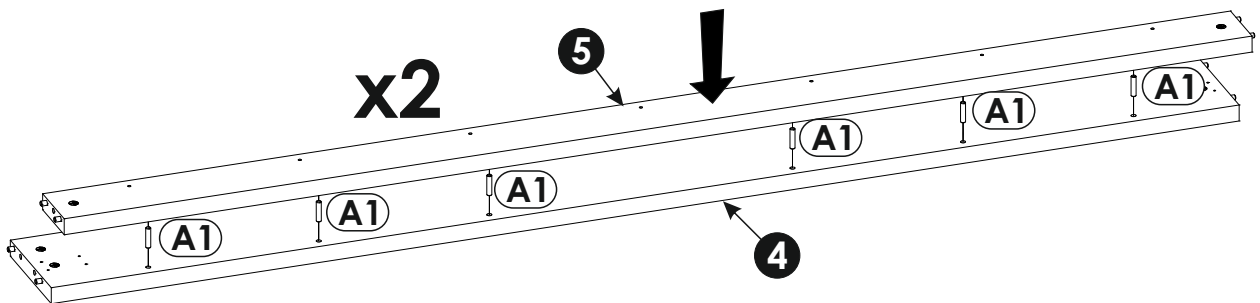
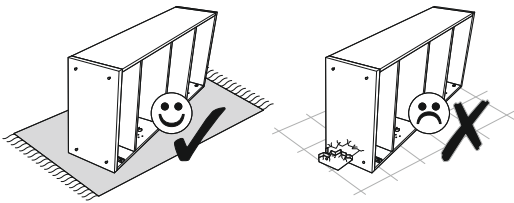
2 ▶

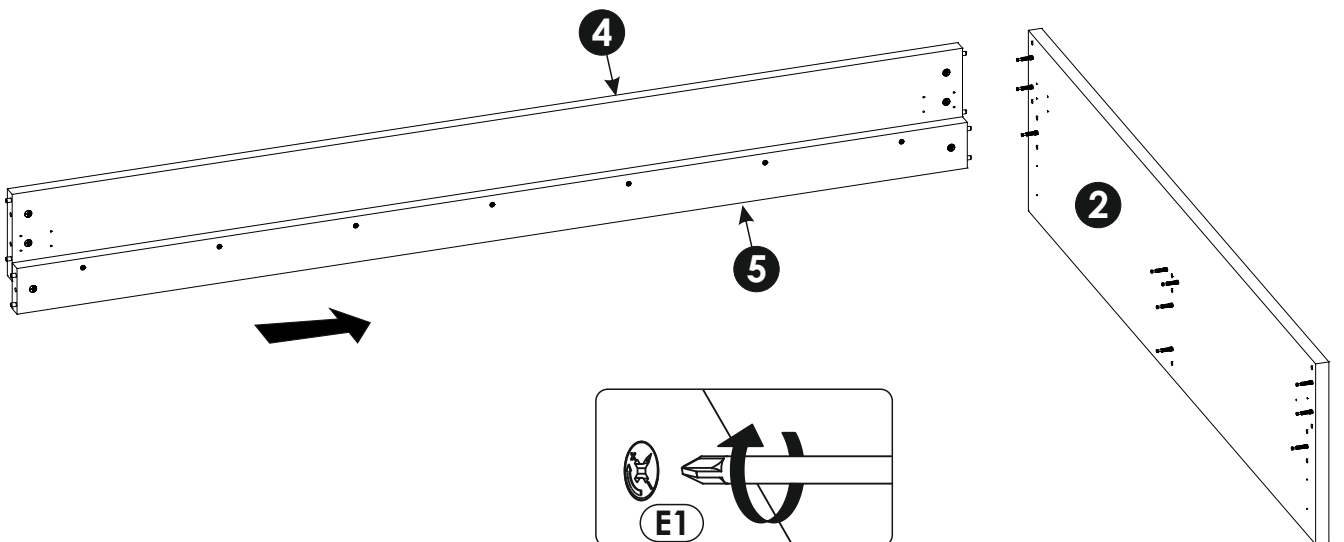
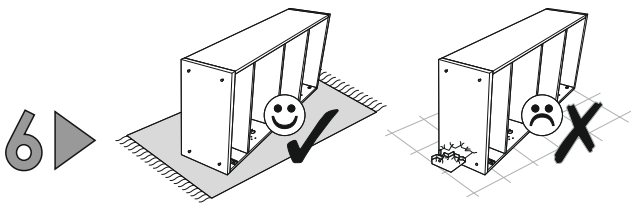
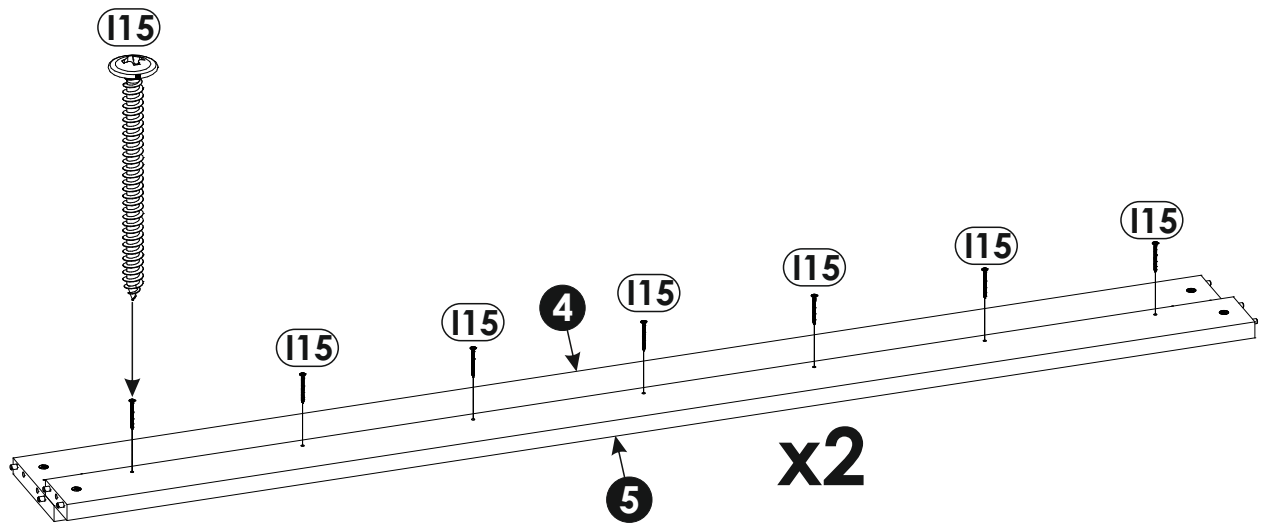
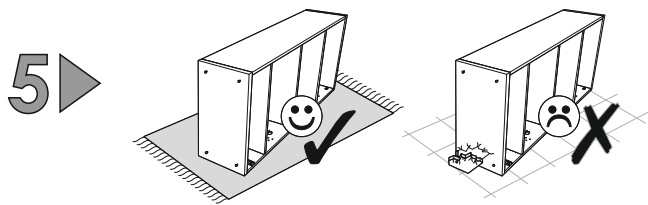


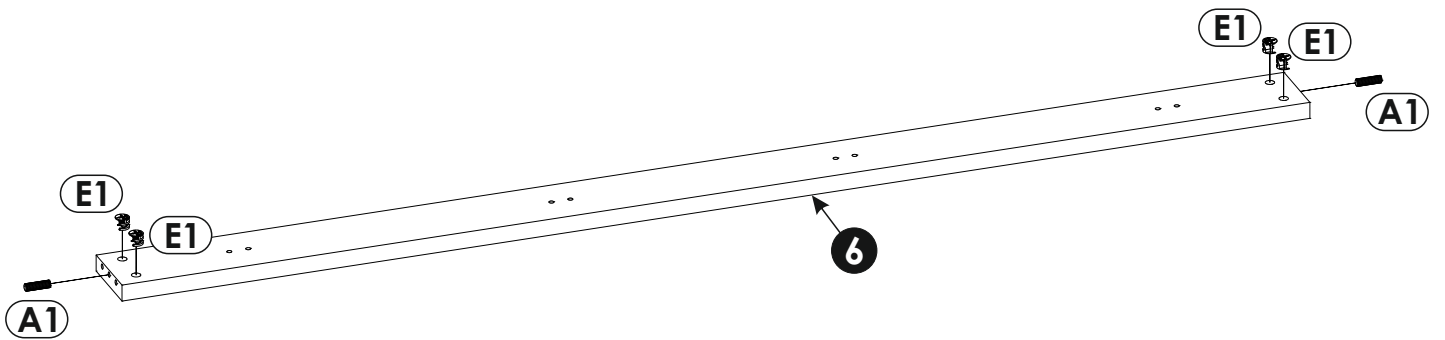
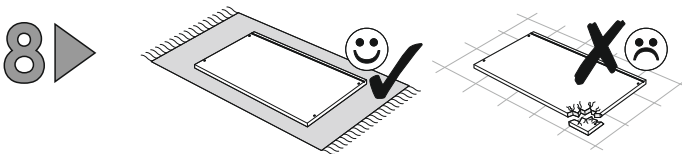
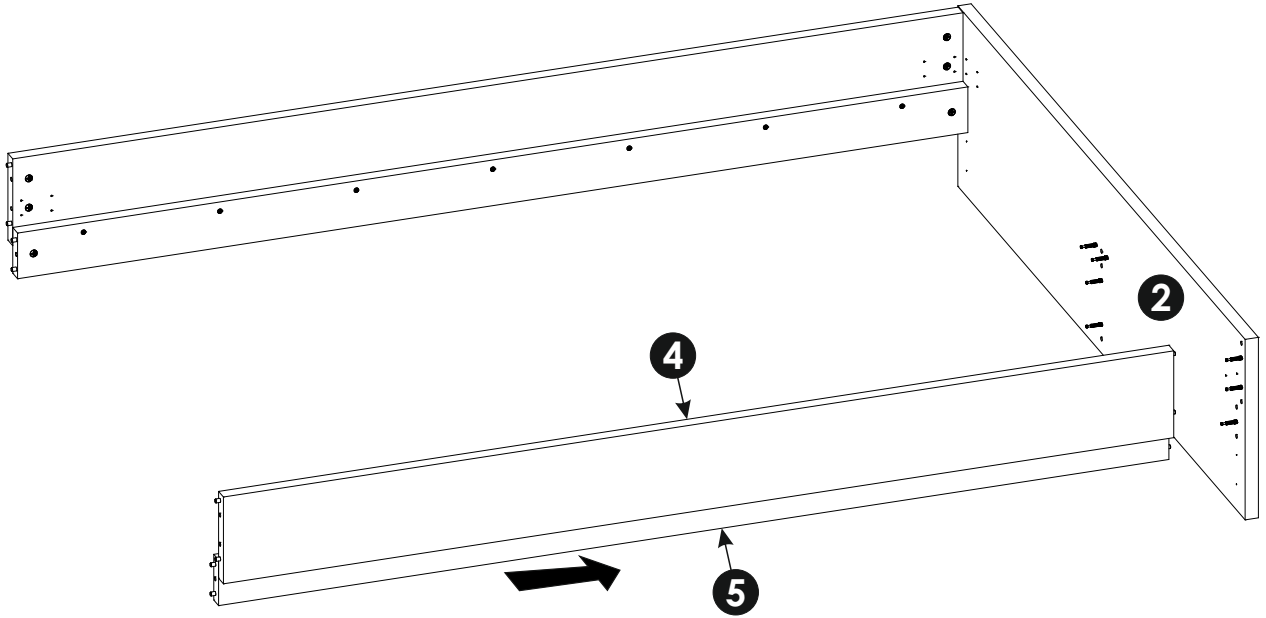
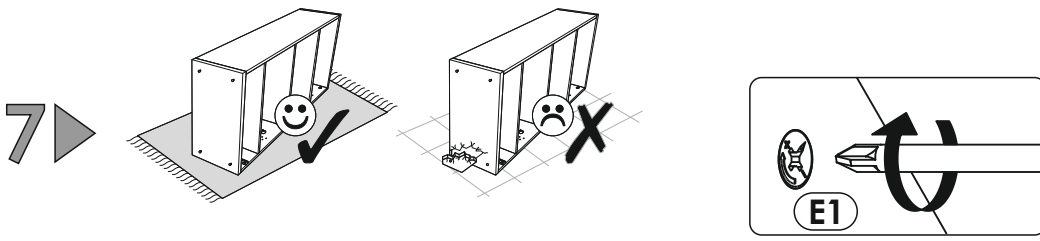
3 ▶

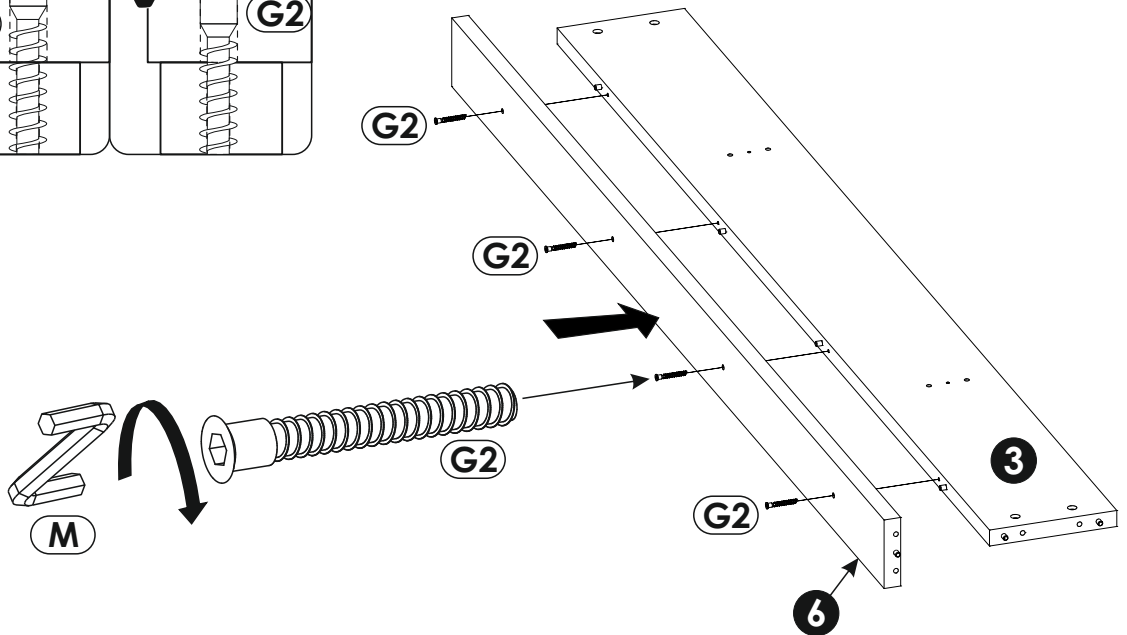
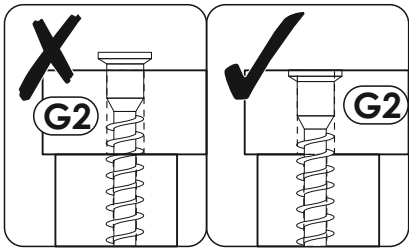
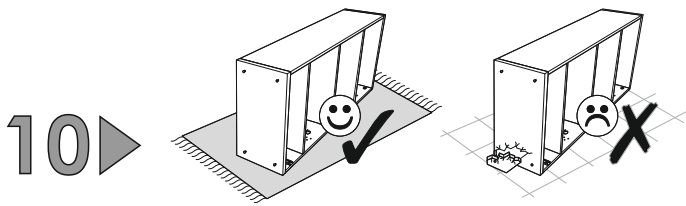
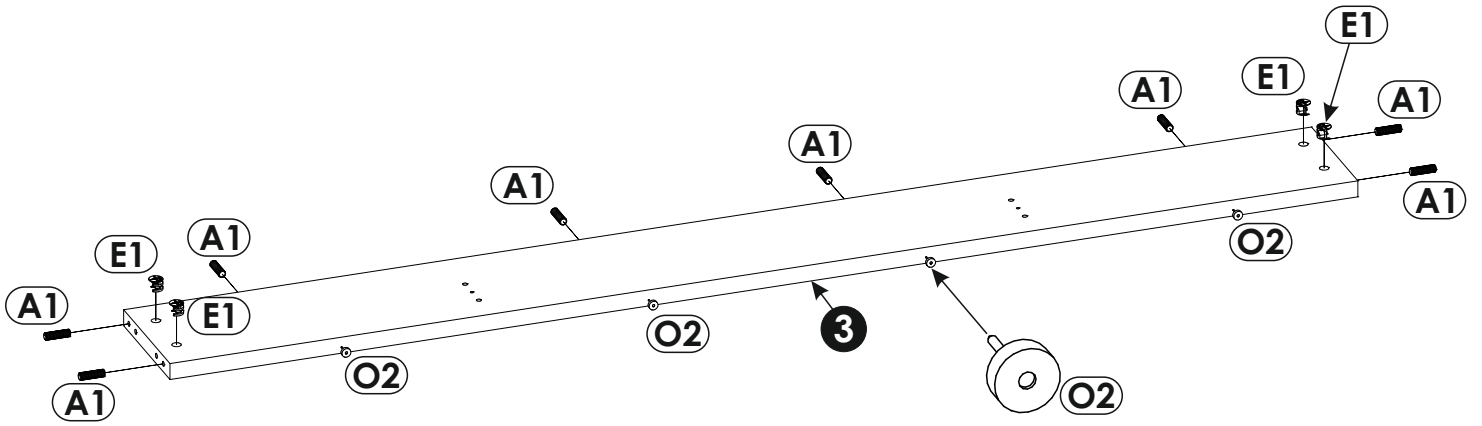
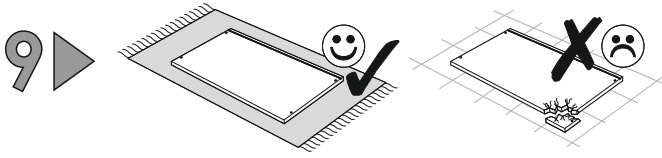


4 ▶

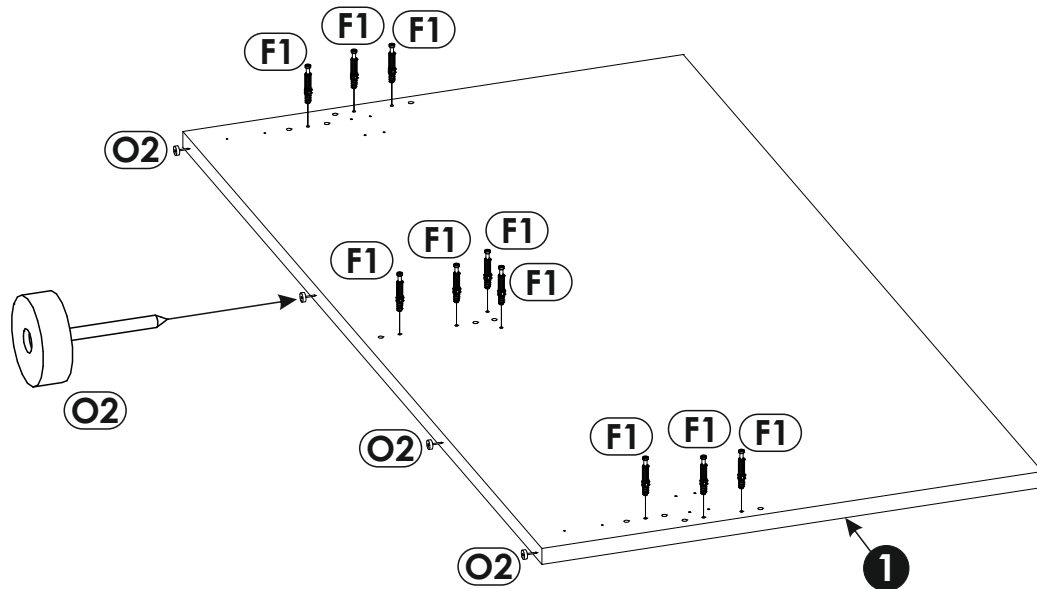
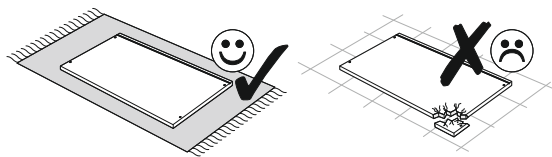




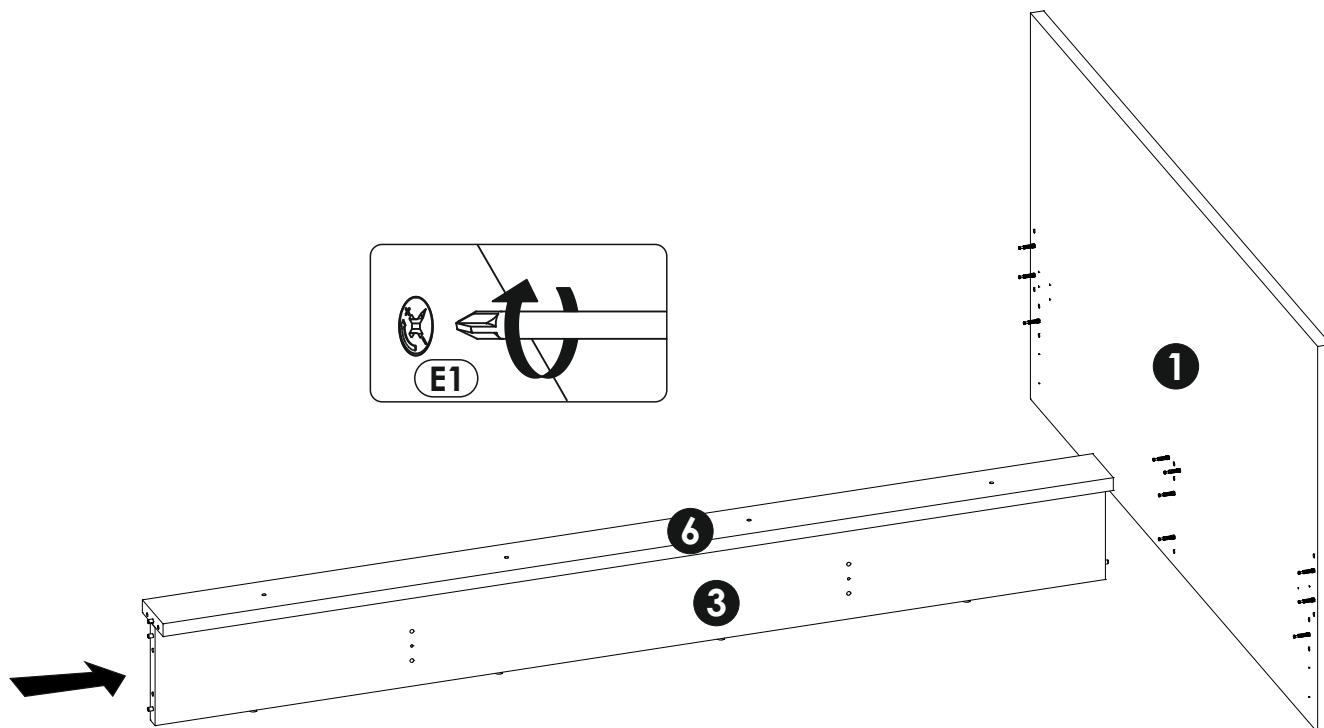
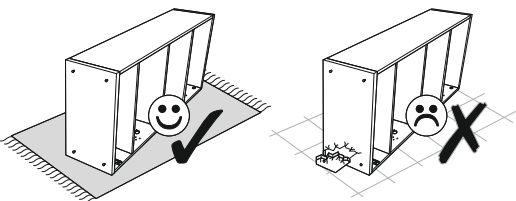




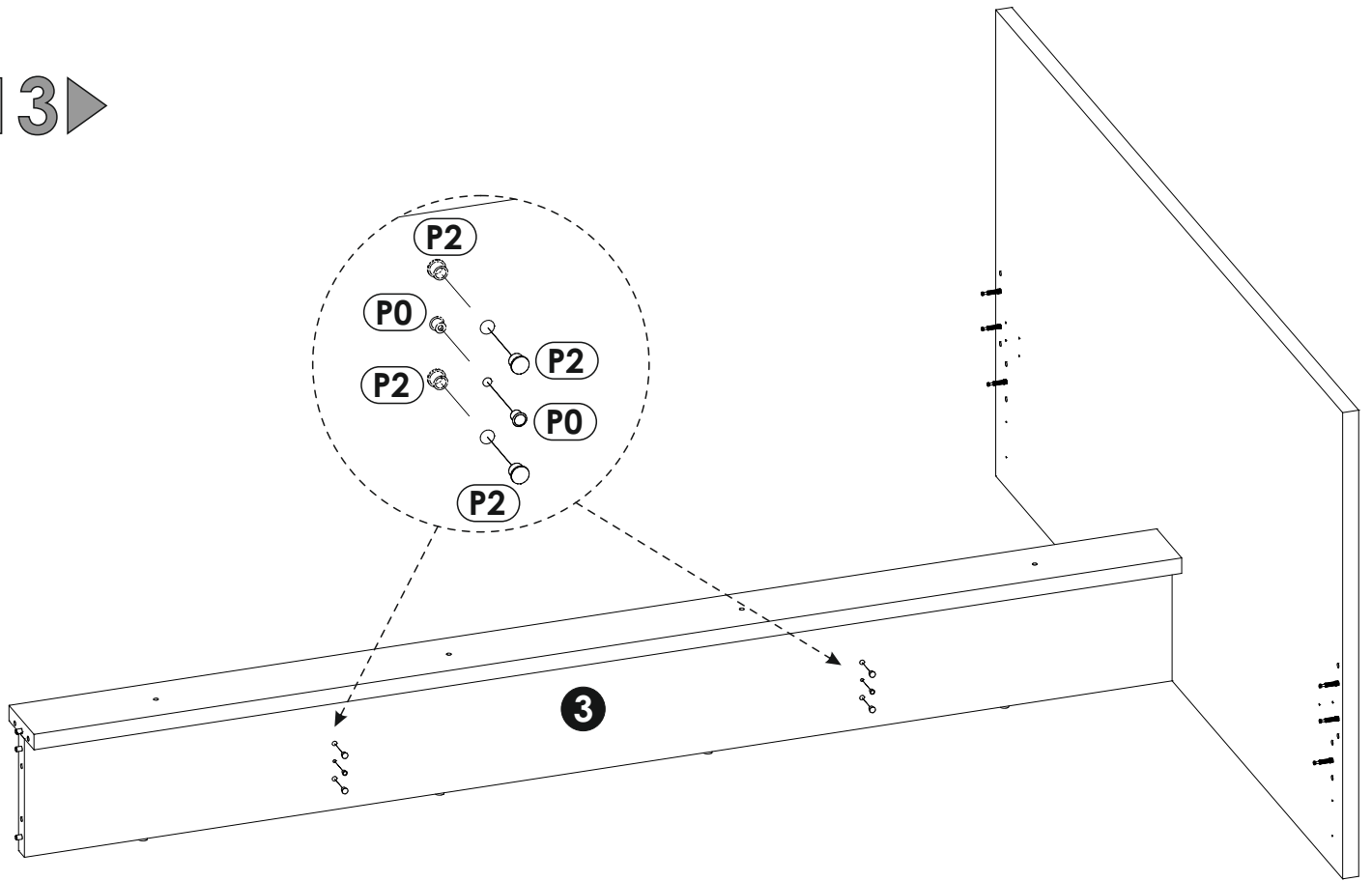
11 ▶



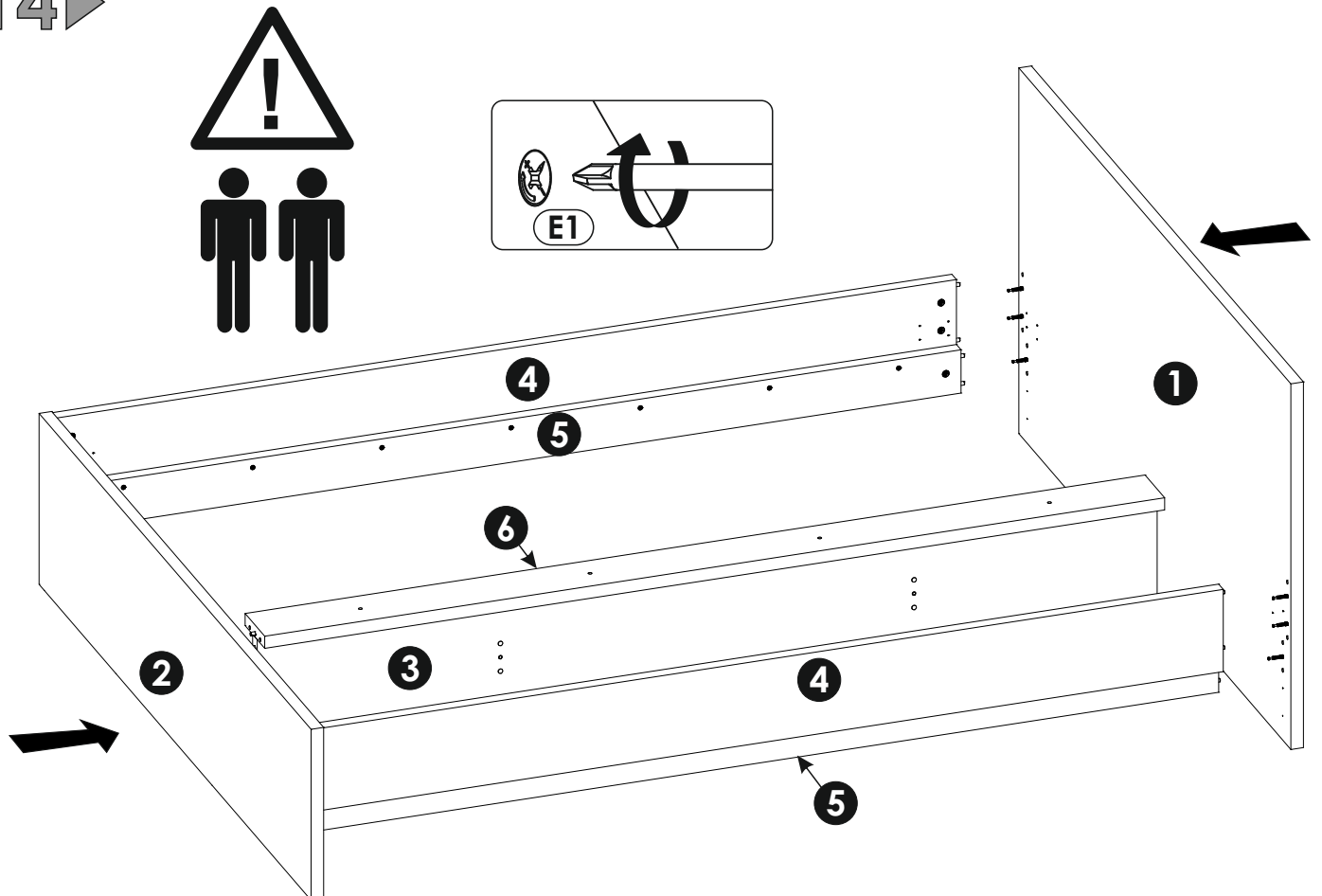
12 ▶



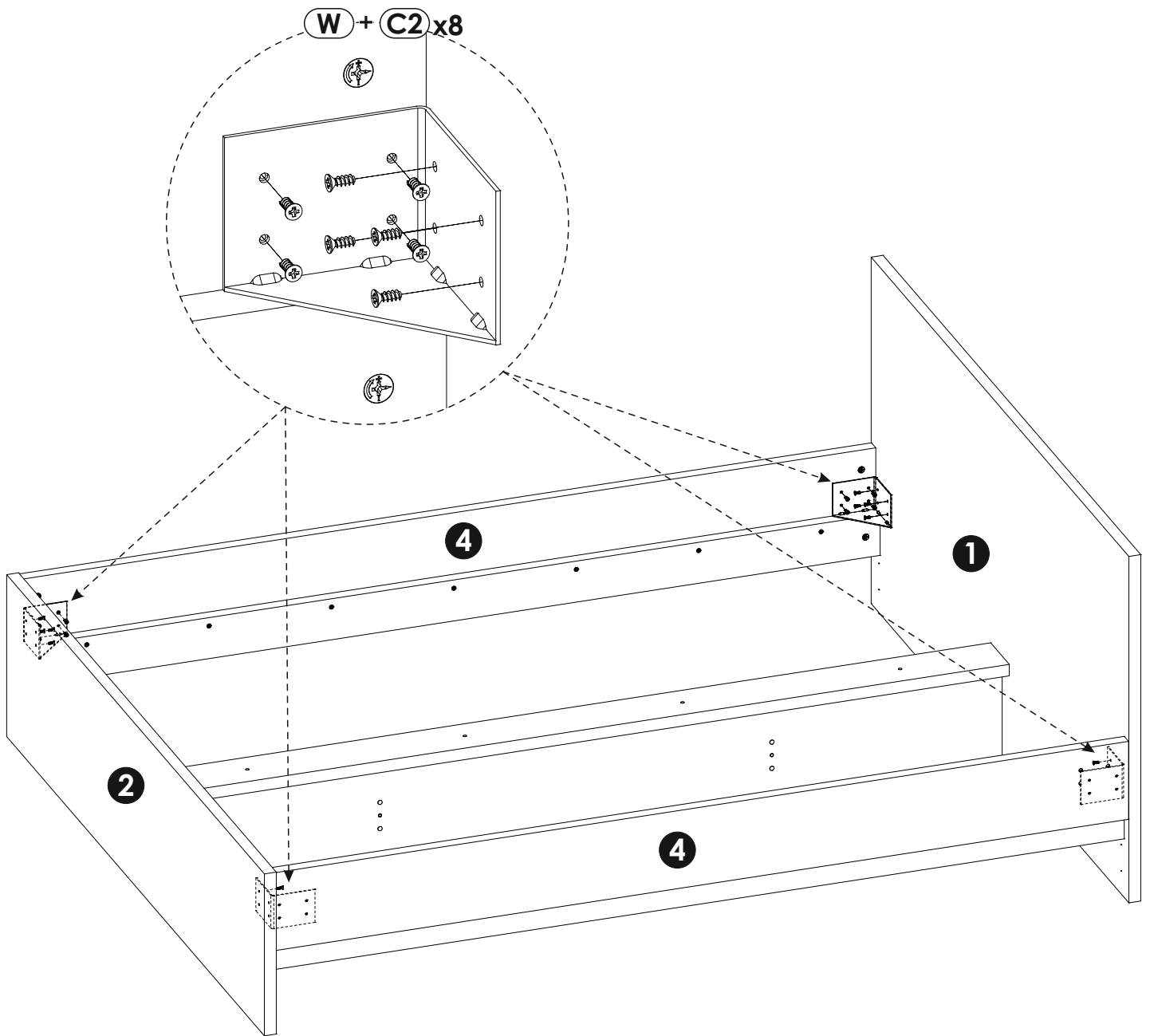
13▶

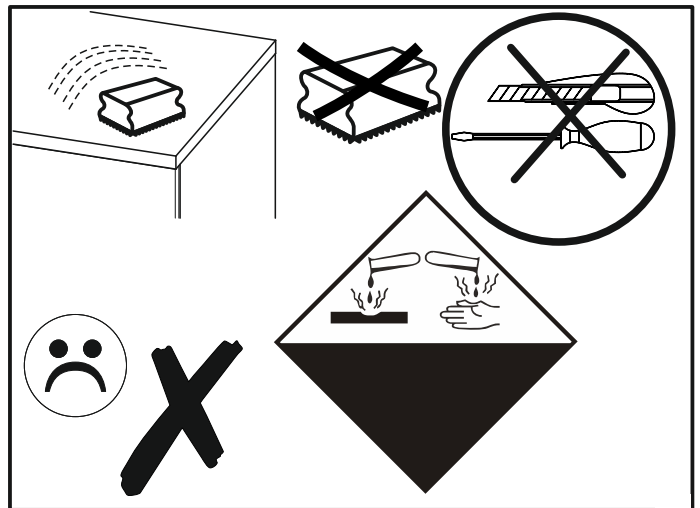


14▶



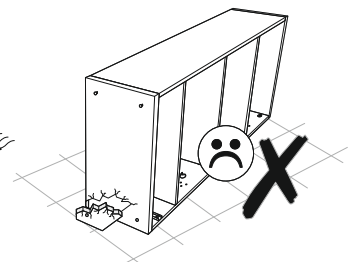
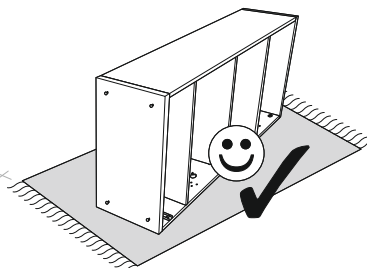
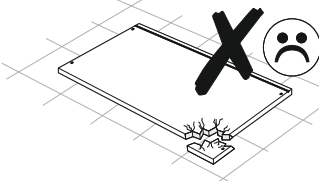
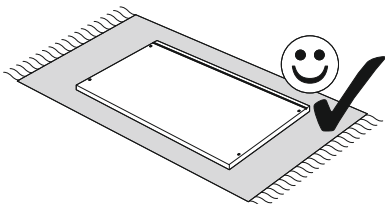
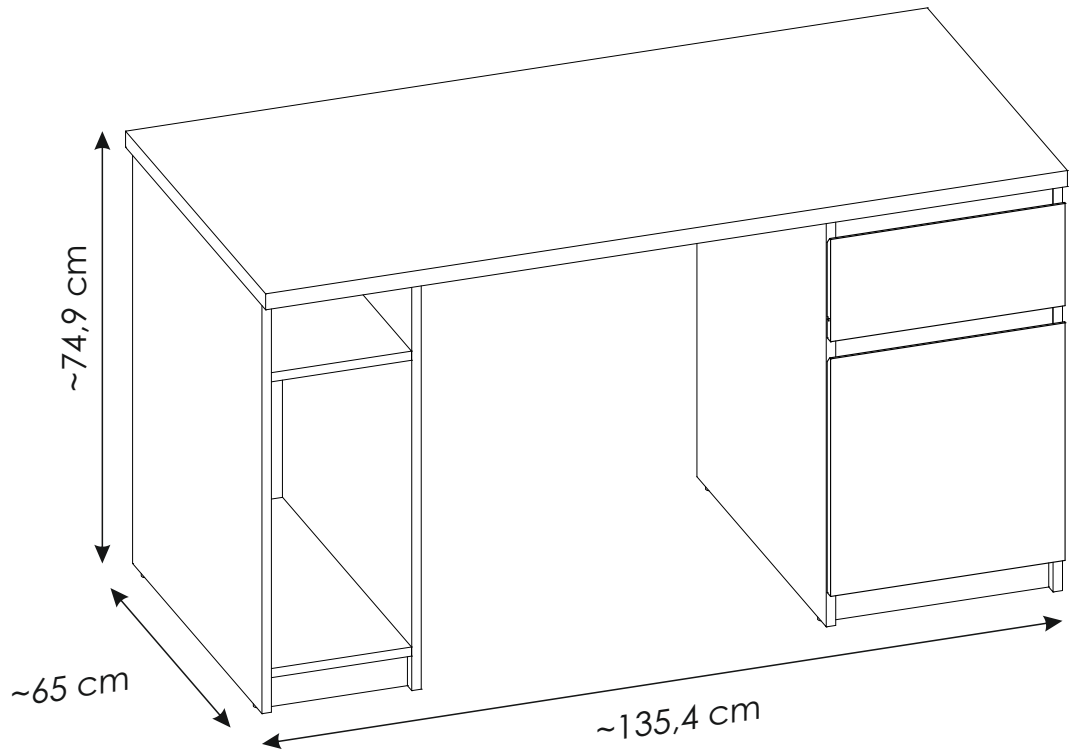
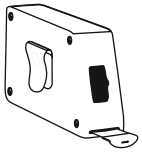
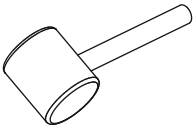
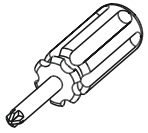
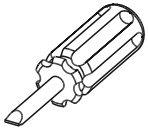
15▶

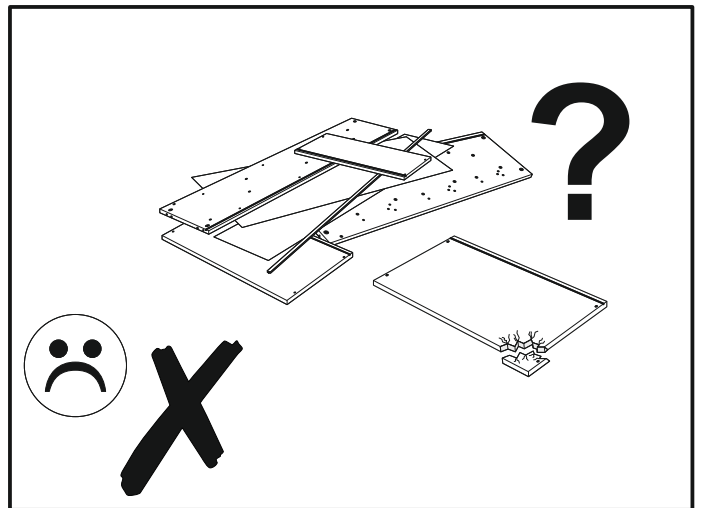
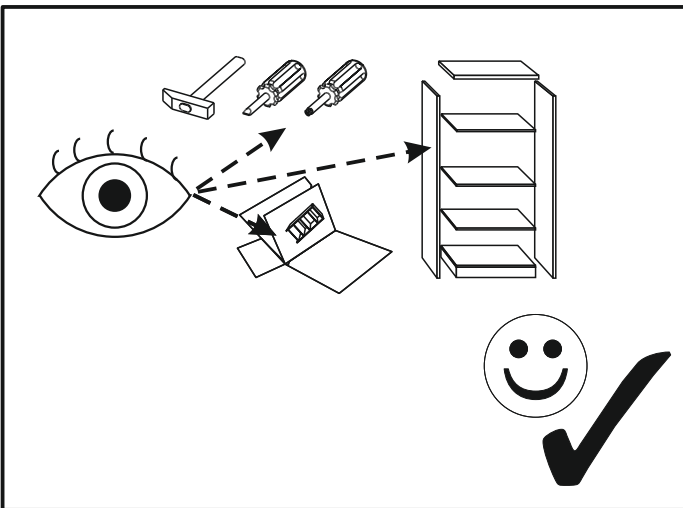
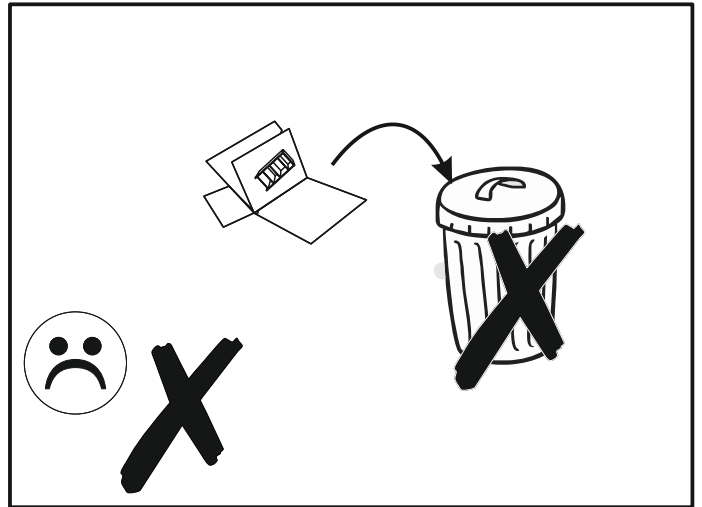
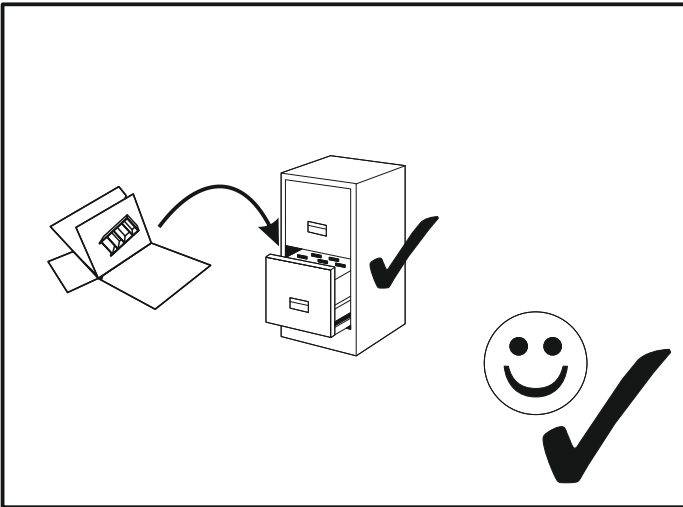
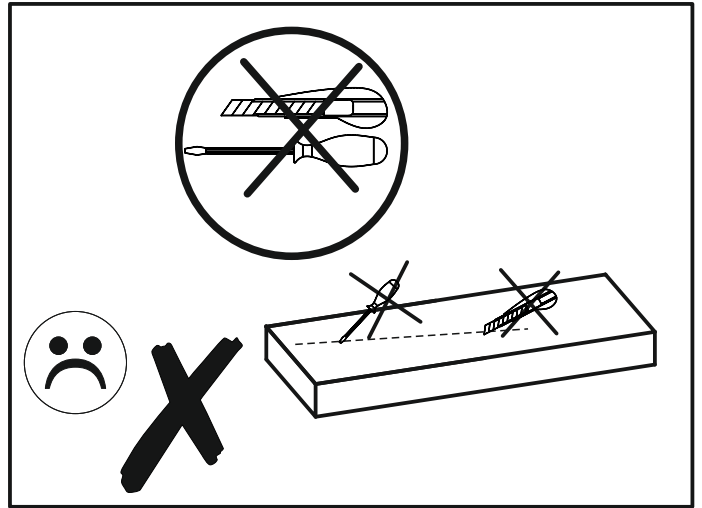
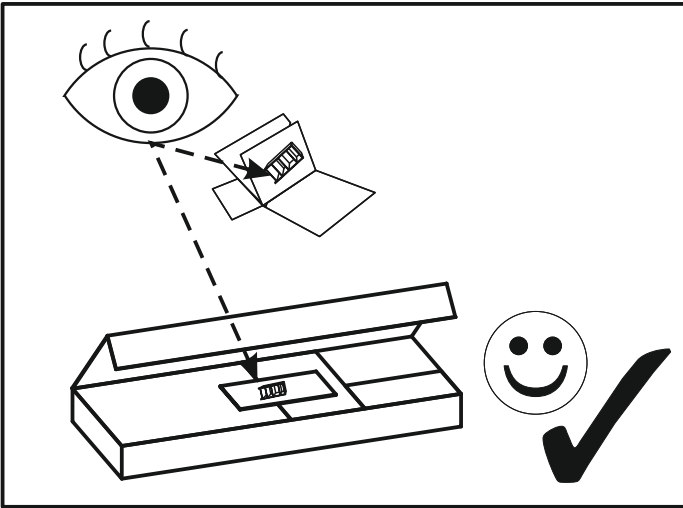


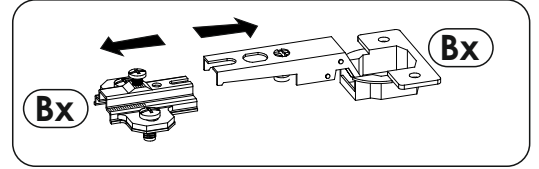
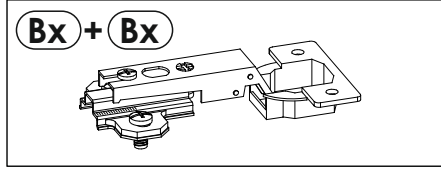
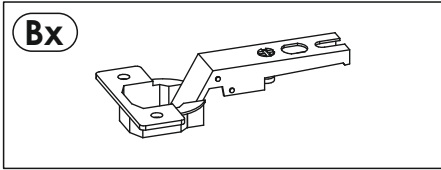
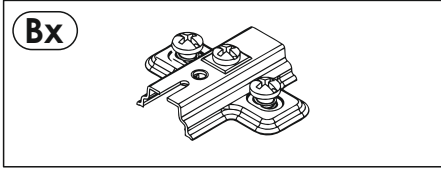


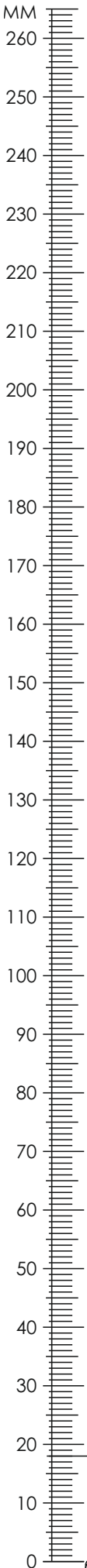


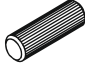
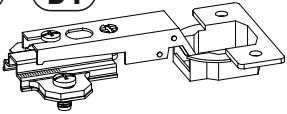




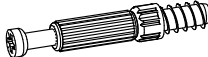

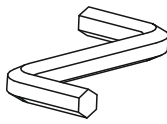
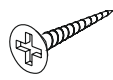
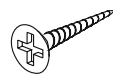
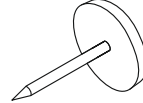
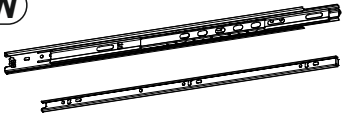
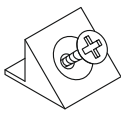
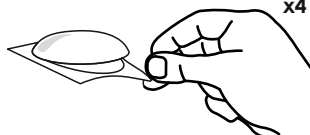
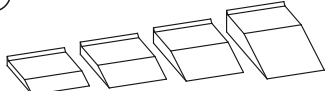
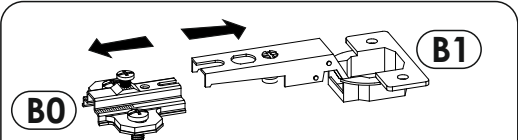
100 min

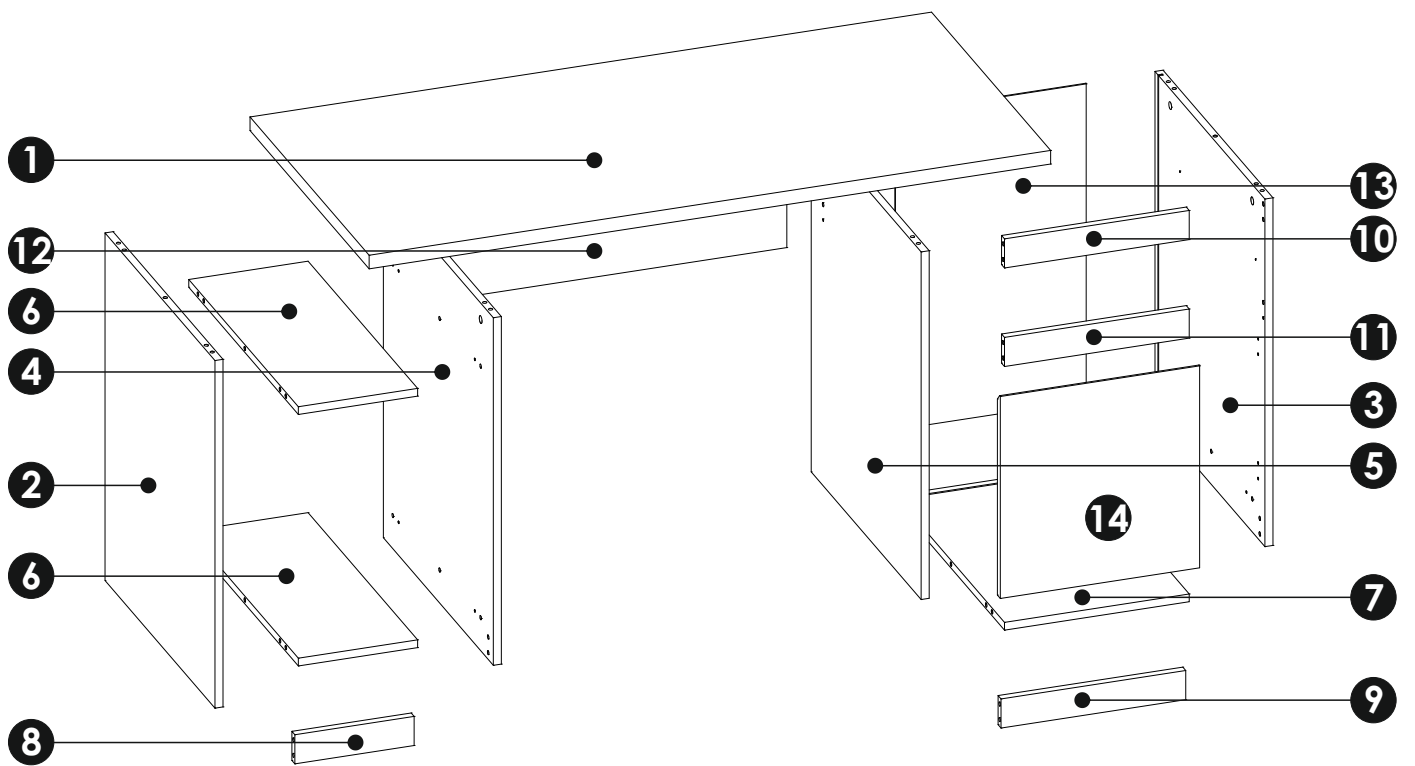
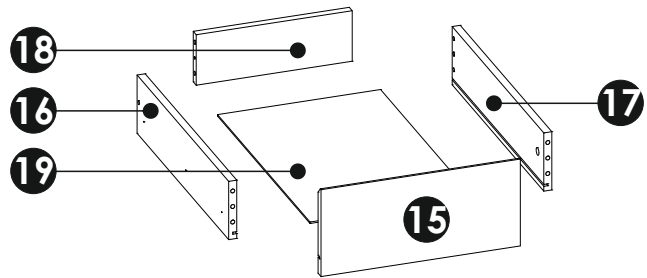
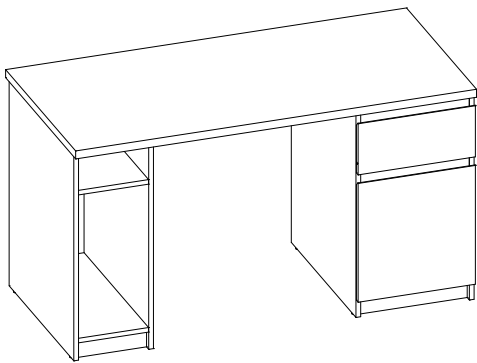






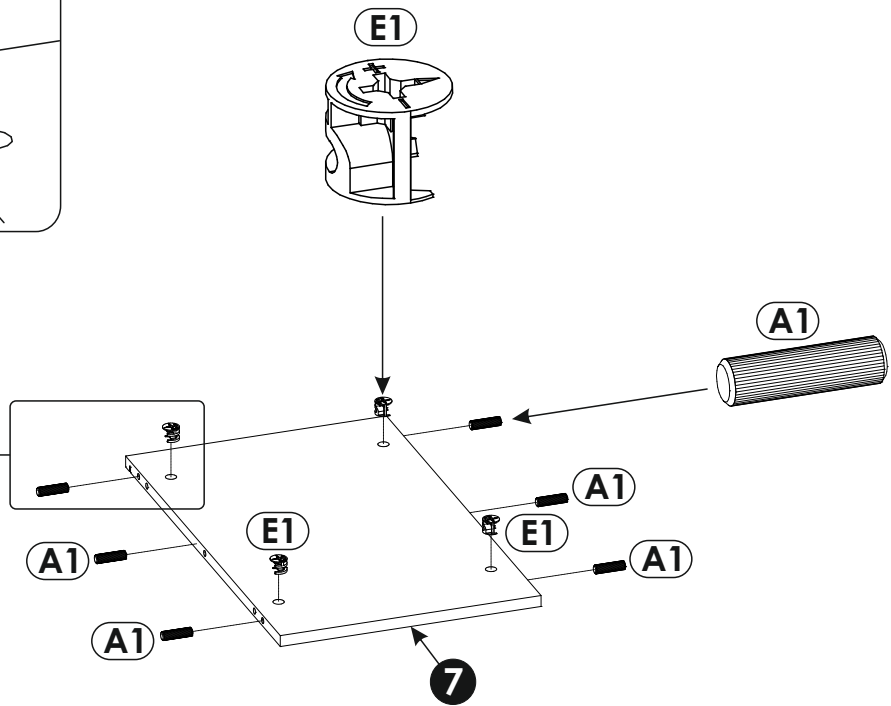
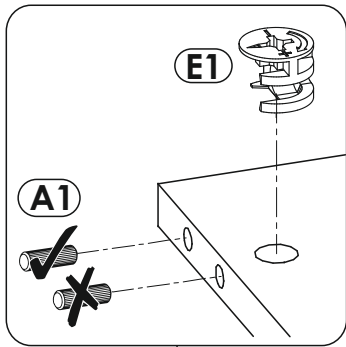
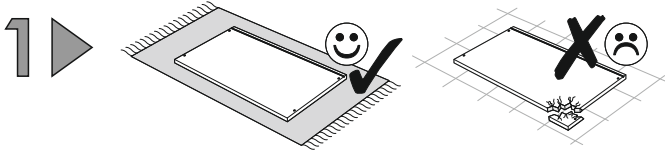
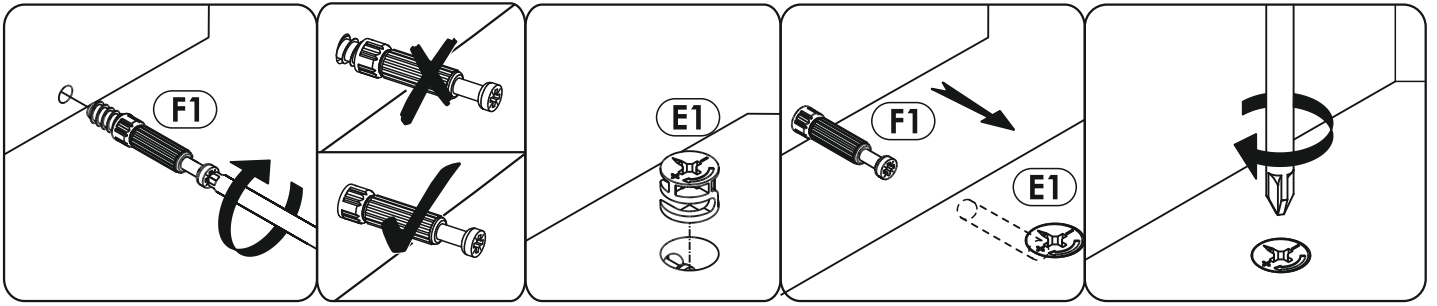


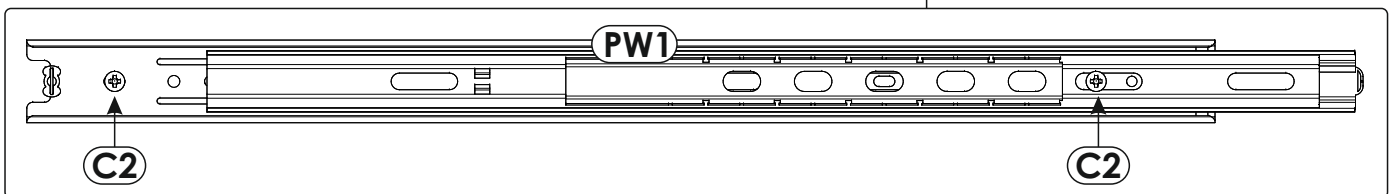
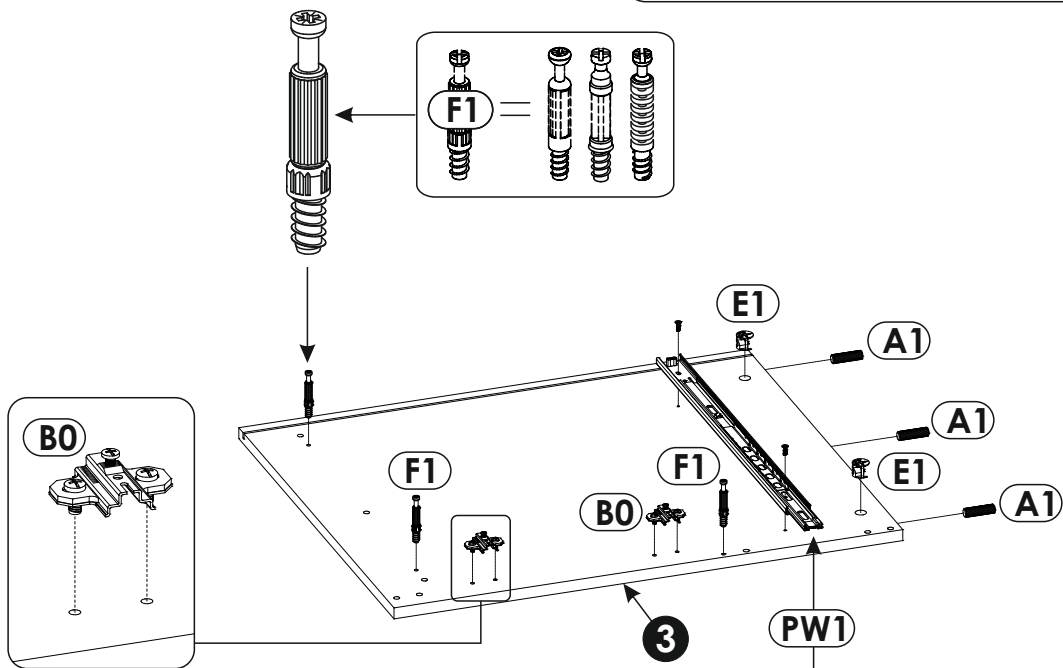
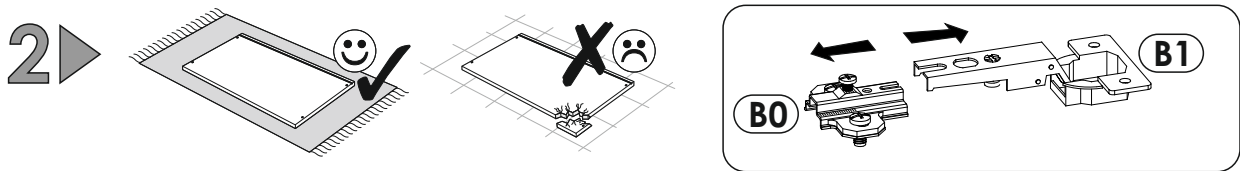
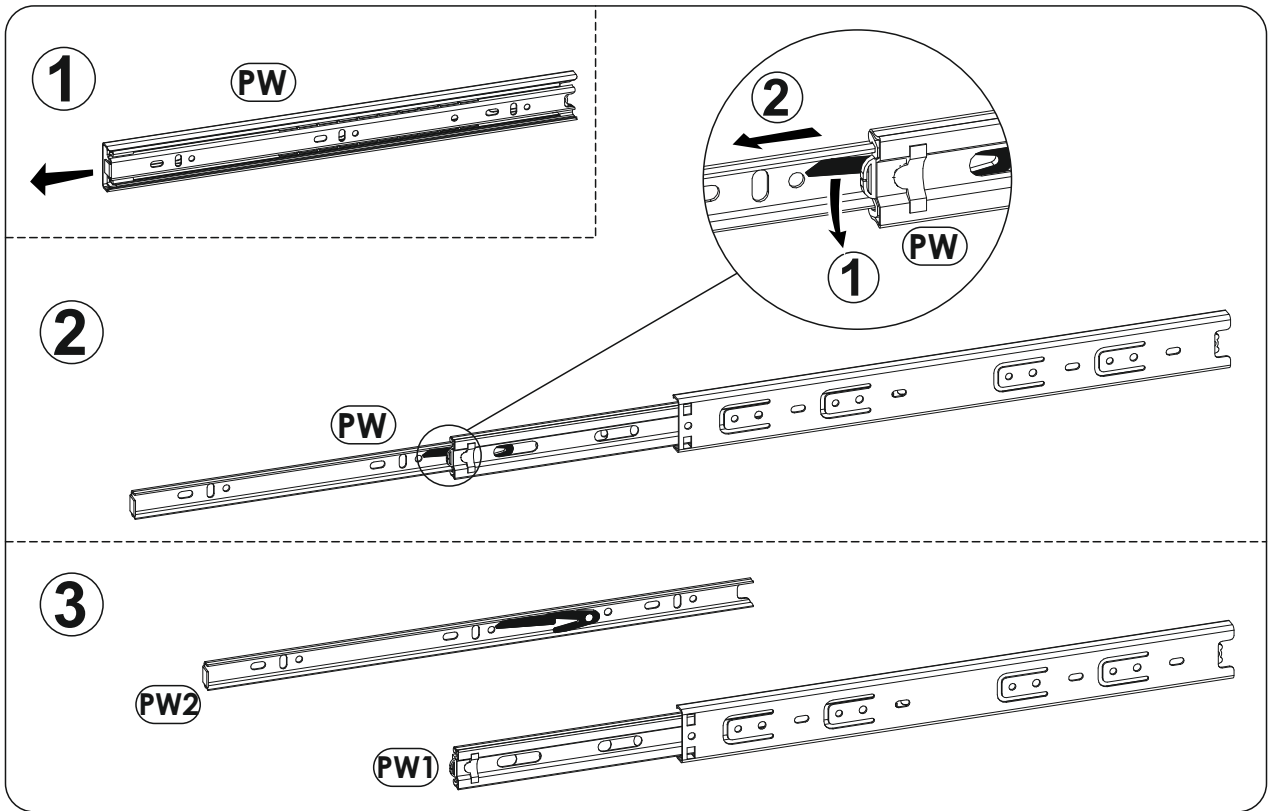
A1 8 x 35 mm x56 	B0 + B1 x2 	C1 4 x 13 mm x4 
C2 5 x 13 mm x4 	E0 Ø16 x14 	E1 15 x 12 mm x28 
F1 6 x 34 mm x28 	G1 7 x 50 mm x2 	M x1 
N1 3 X 16 mm x5 	N2 3,5 X 16 mm x6 	O2 x8 
PW x2 	R4 x7 	R8 x4 
Z x1 		

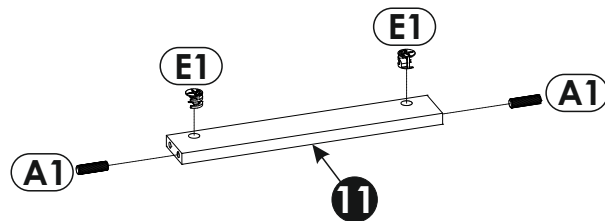
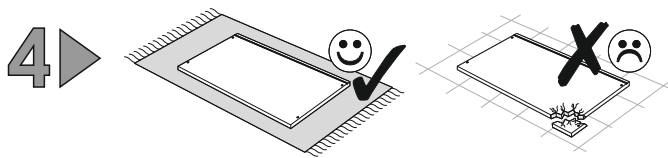
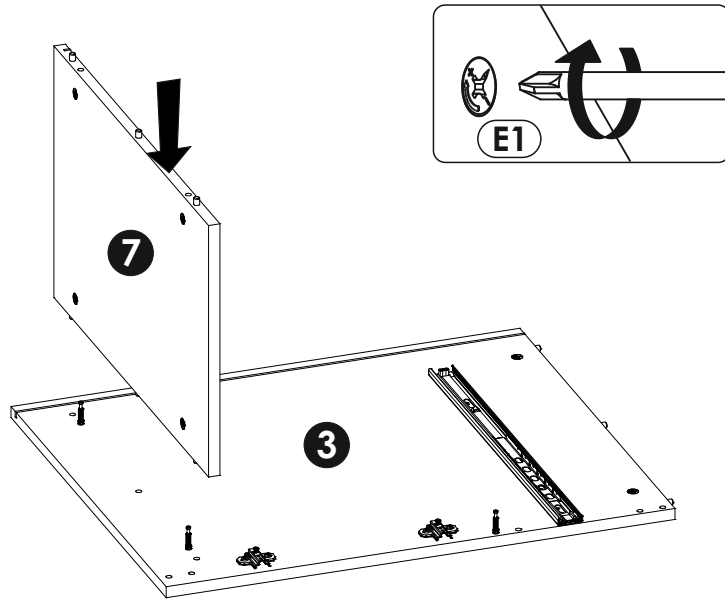
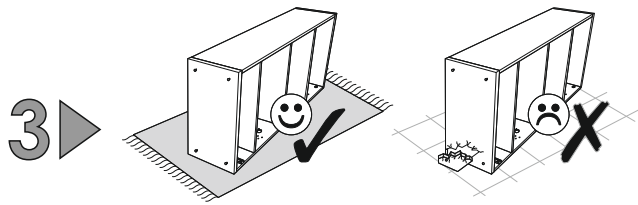


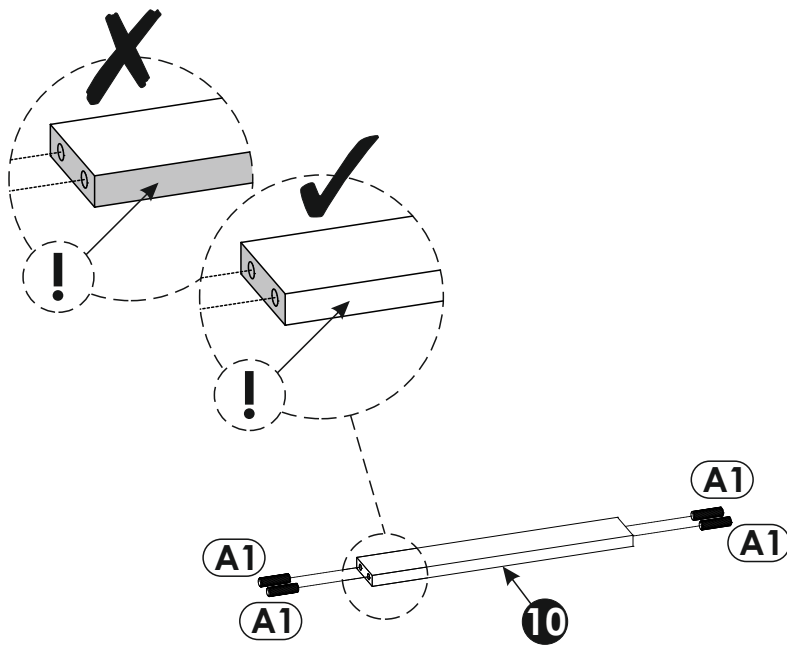
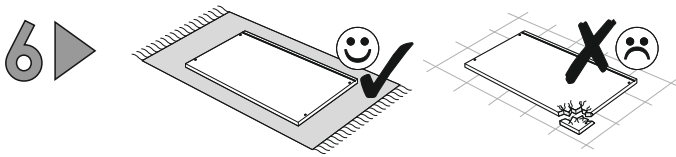
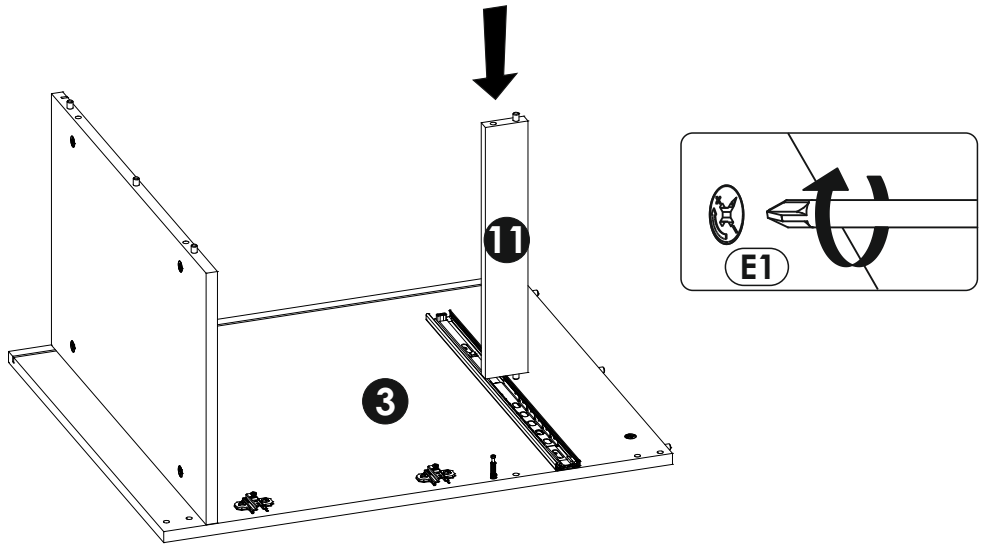
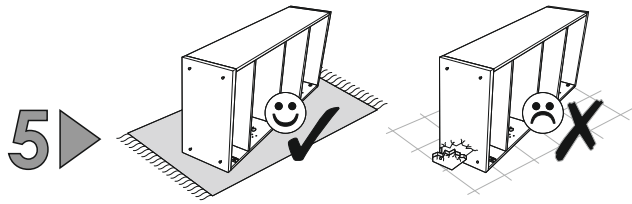
1	1354	650	28	x1	2/2
2	716	600	16	x1	1/2
3	716	600	16	x1	1/2
4	716	600	16	x1	2/2
5	716	600	16	x1	2/2
6	237	598	16	x2	1/2
7	367	598	16	x1	1/2
8	237	60	16	x1	1/2
9	367	60	16	x1	1/2

10	367	60	16	x1	1/2
11	367	60	16	x1	1/2
12	684	210	16	x1	1/2
13	652	379	3	x1	1/2
14	416	396	16	x1	1/2
15	396	179	16	x1	1/2
16	500	120	16	x1	1/2
17	500	120	16	x1	1/2
18	310	104	16	x1	1/2
19	324	505	3	x1	1/2

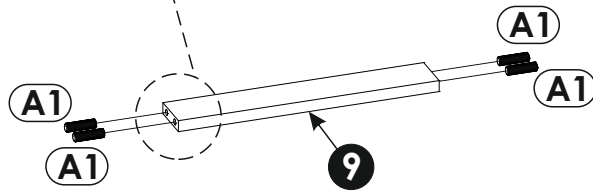
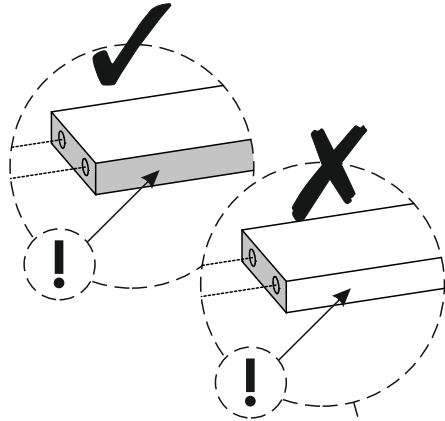
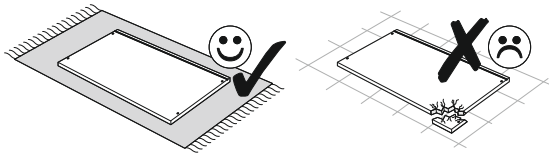




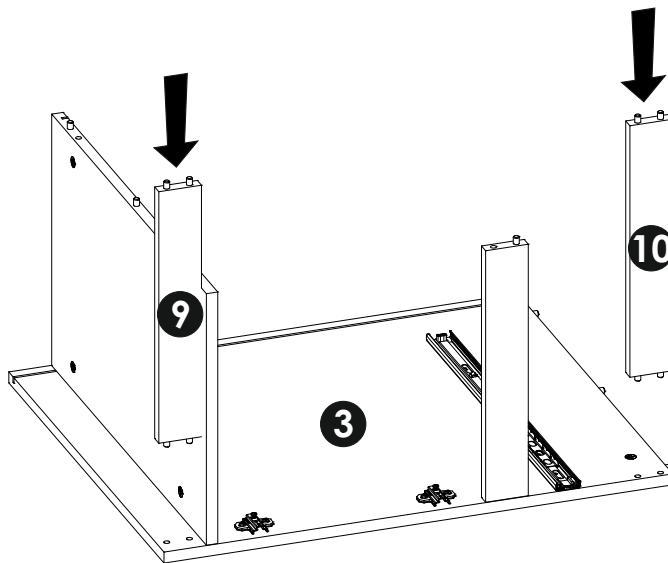
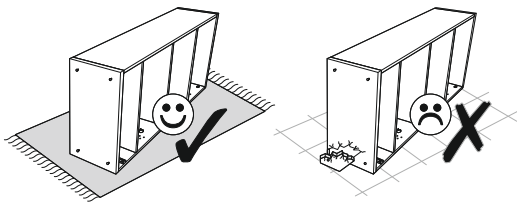




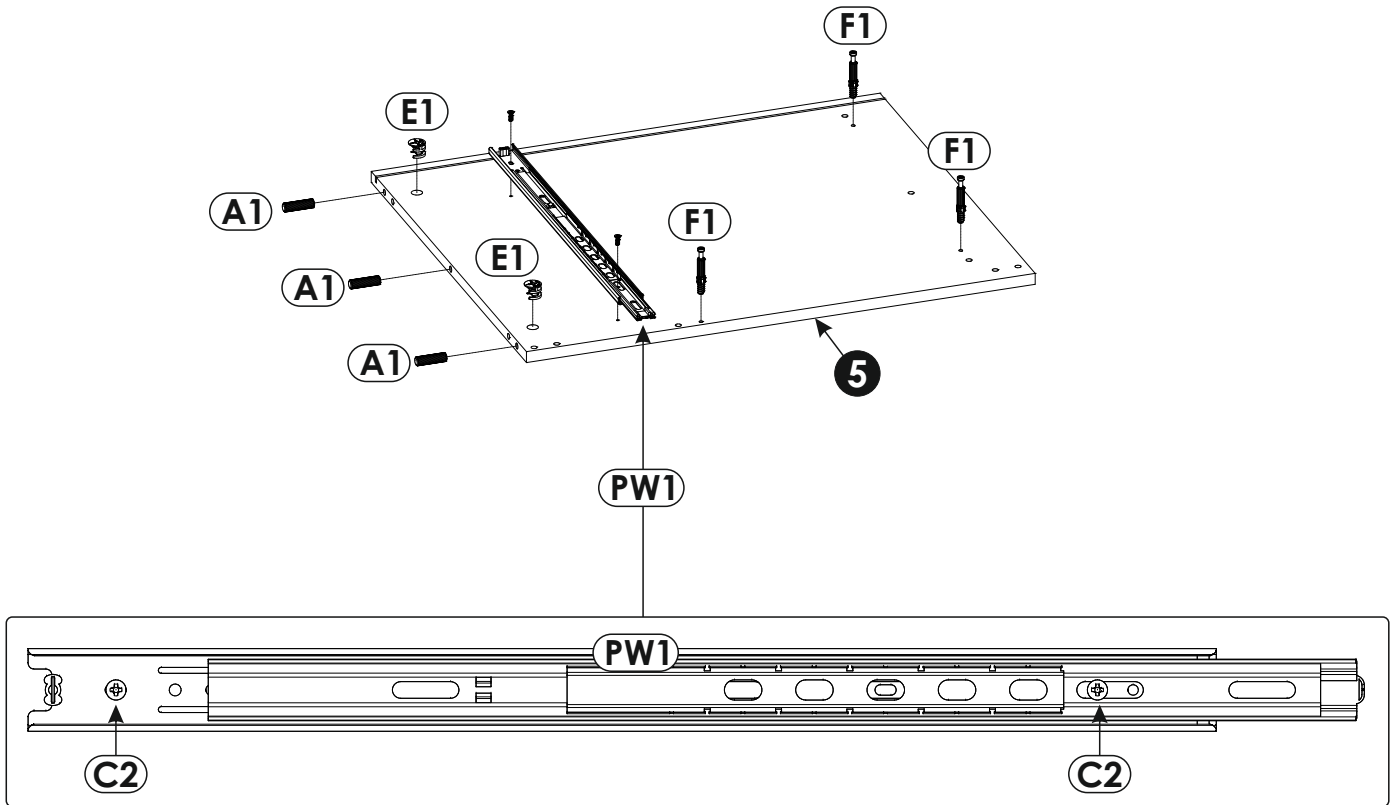
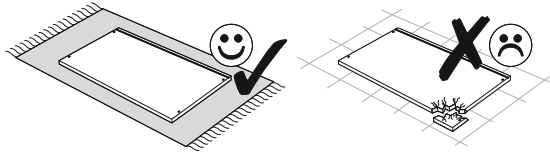
7 ▶



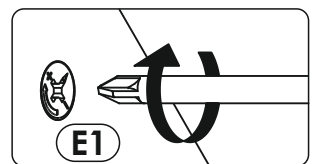
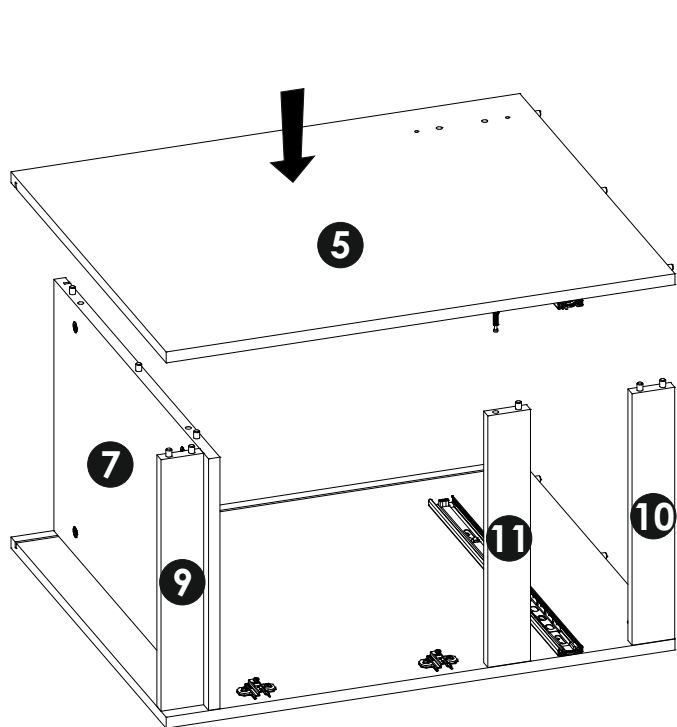
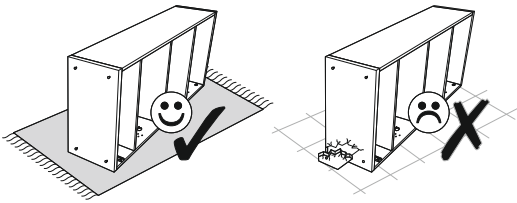
8 ▶



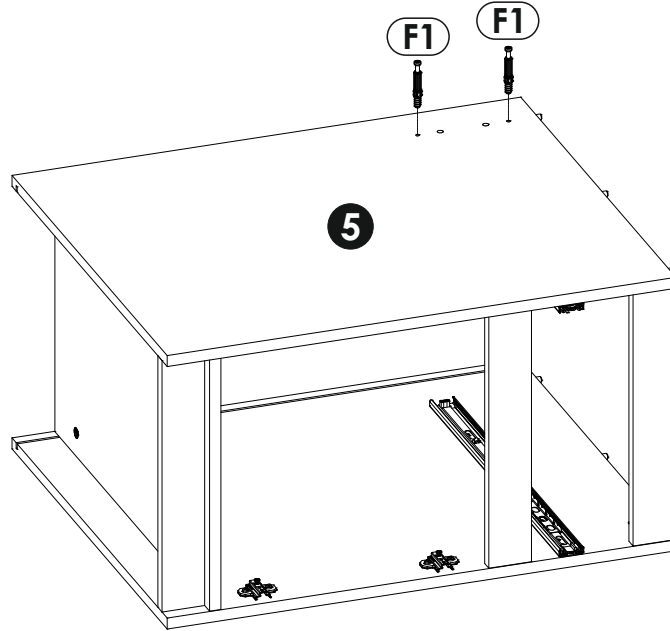
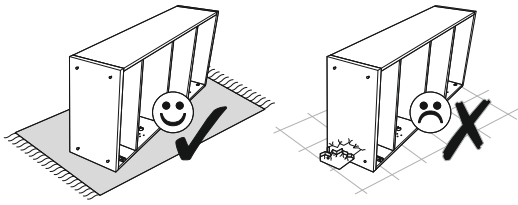
9 ▶



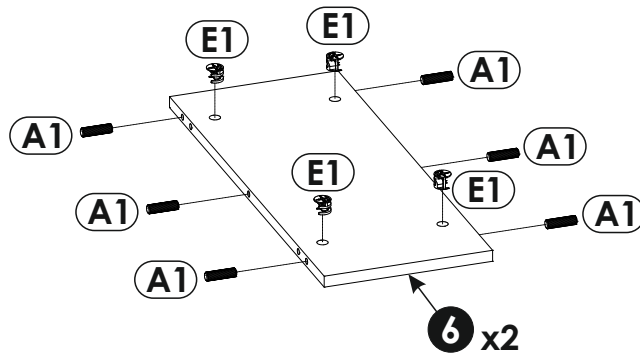
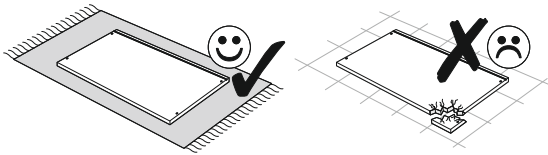
10 ▶



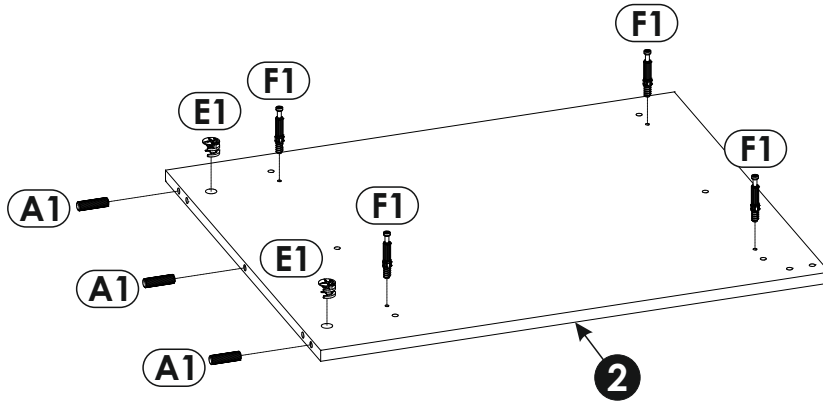
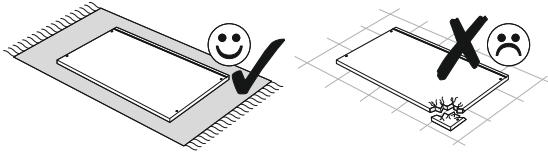
11 ▶



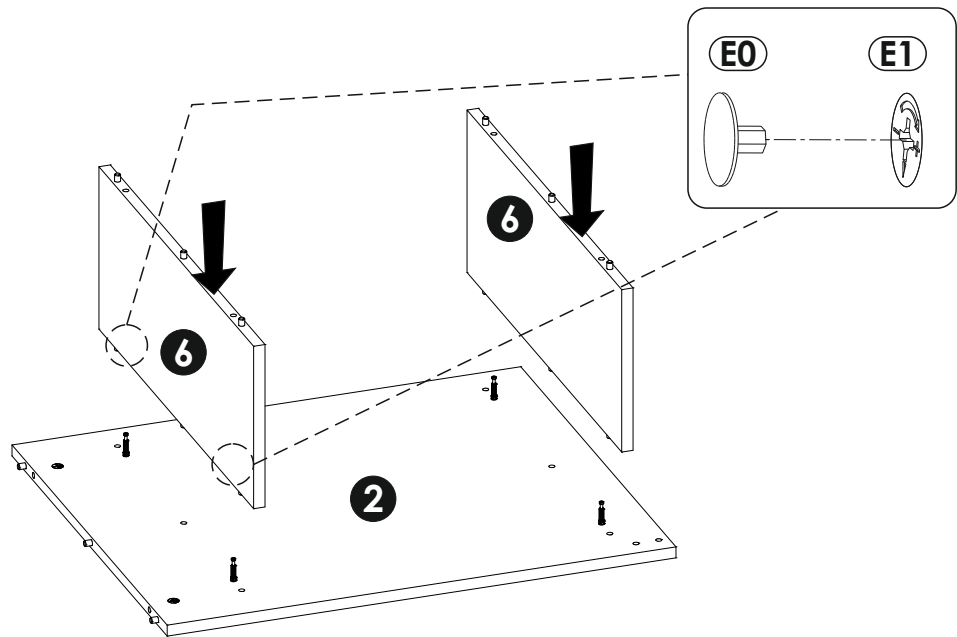
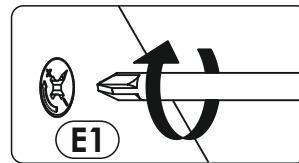
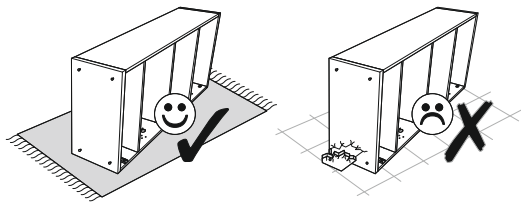
12 ▶



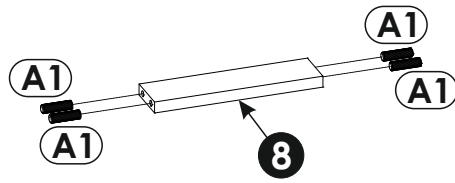
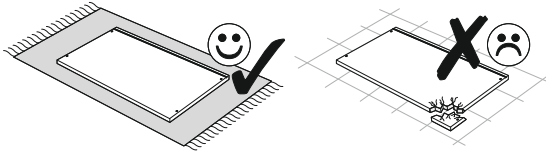
13▶



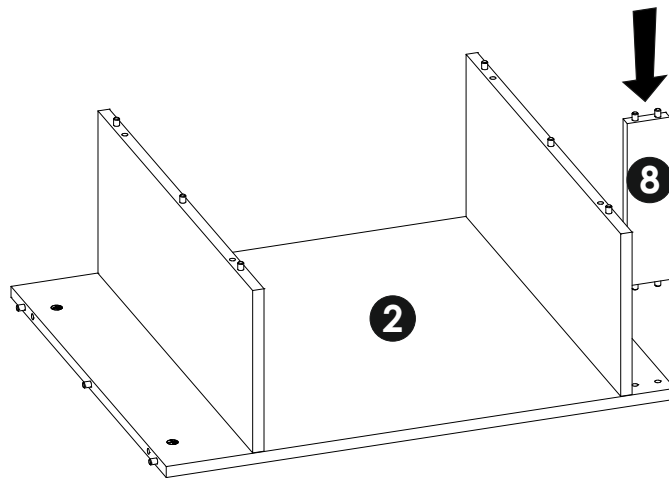
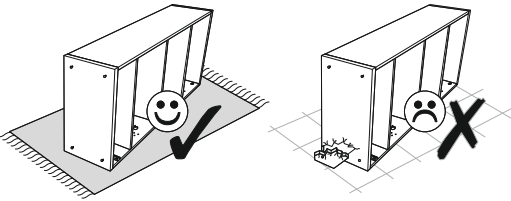
14▶



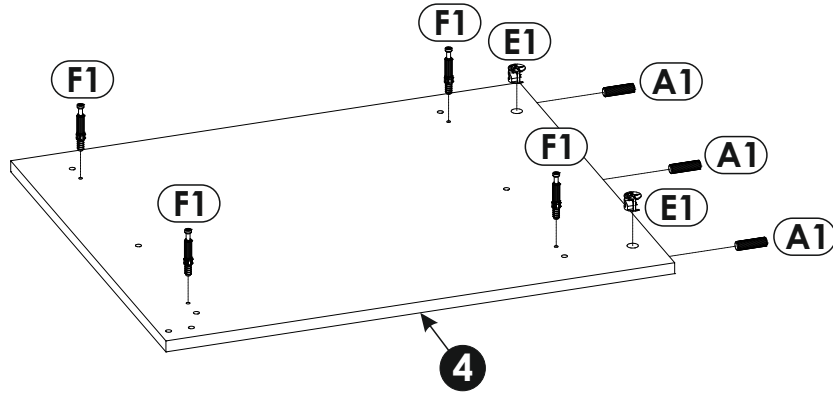
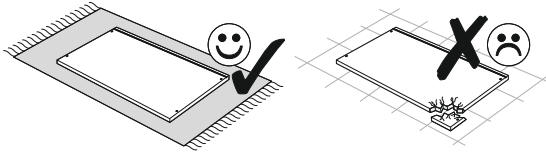
15 ▶



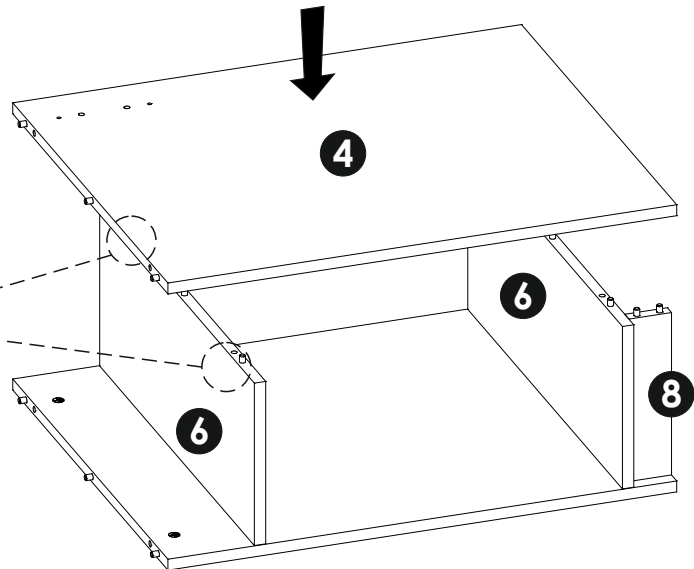
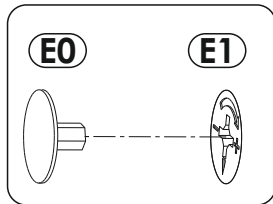
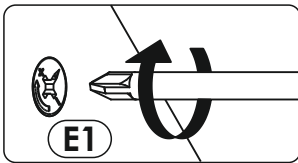
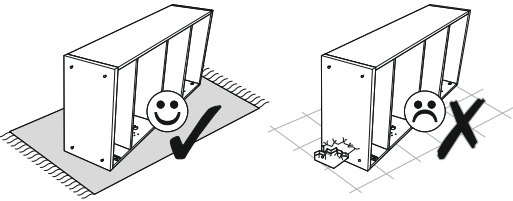
16 ▶



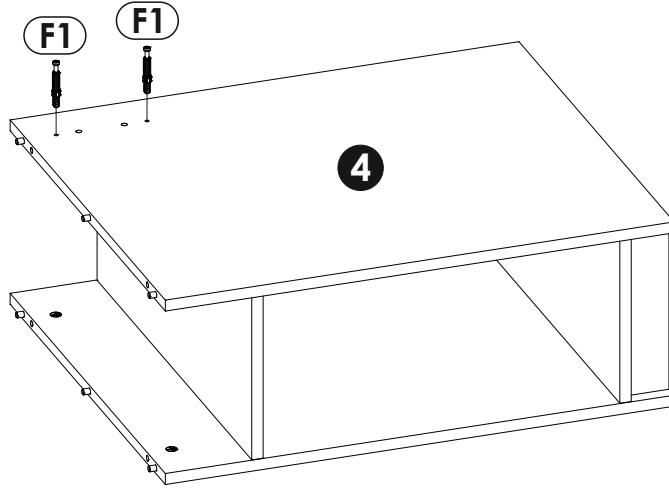
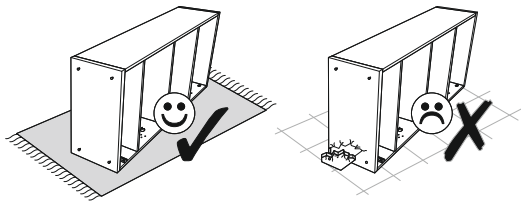
17▶



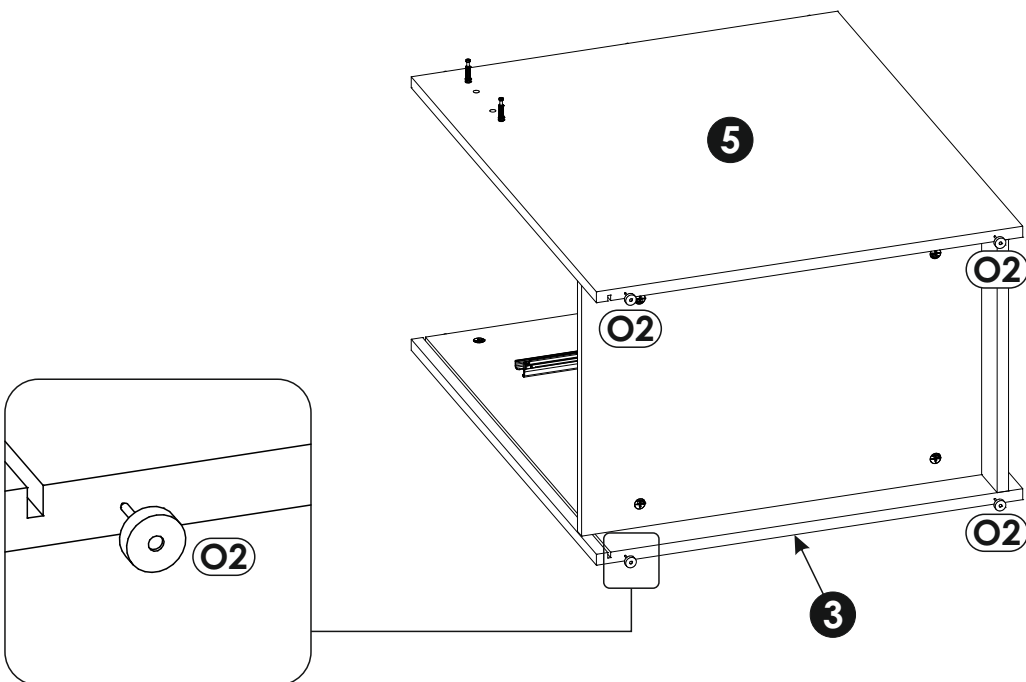
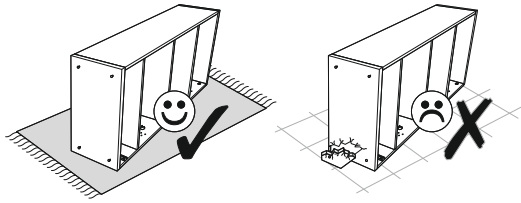
18▶



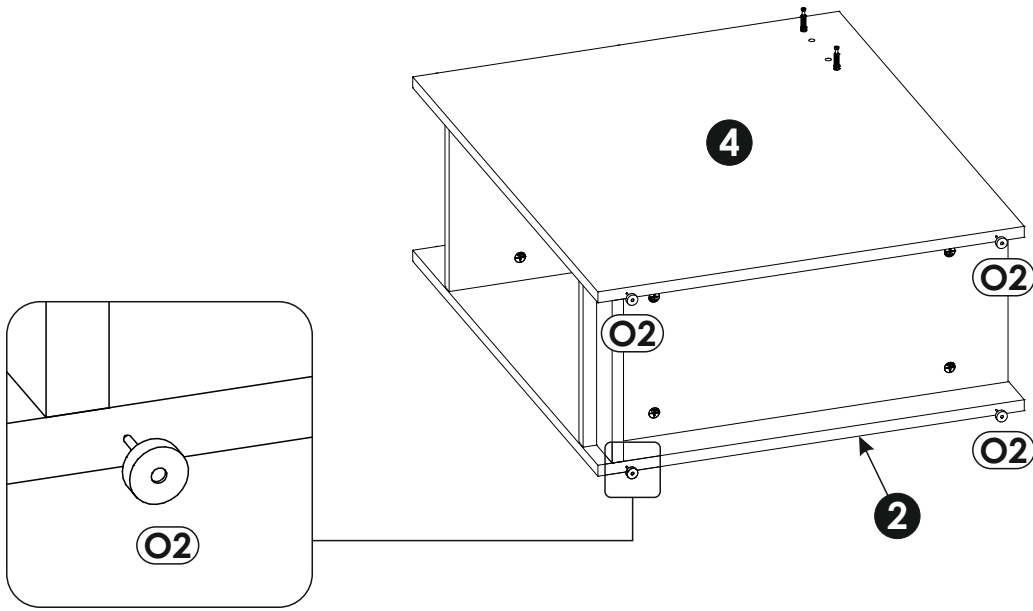
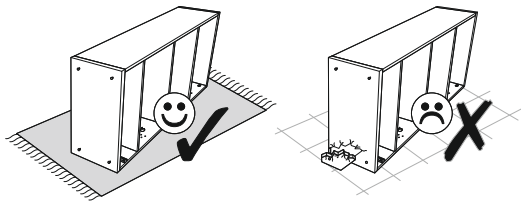
19▶



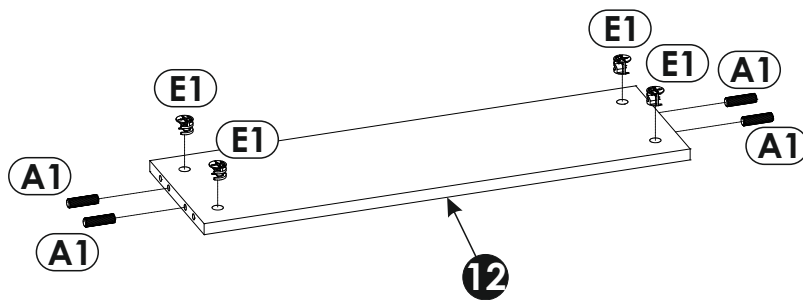
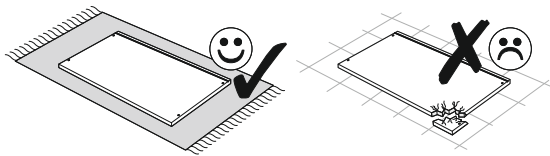
20▶



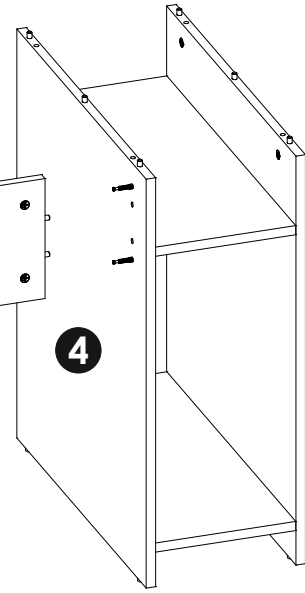
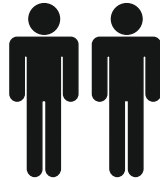
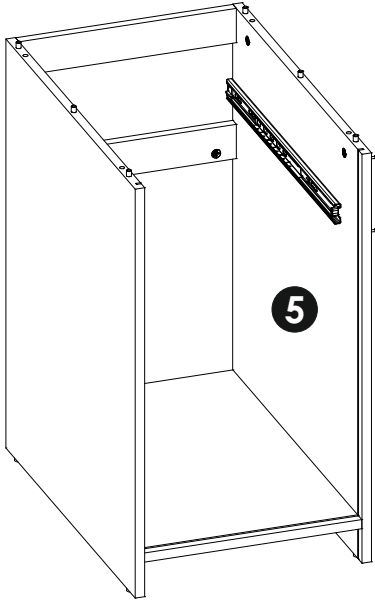
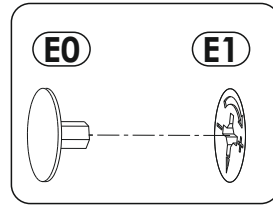
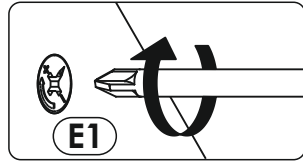
21 ▶



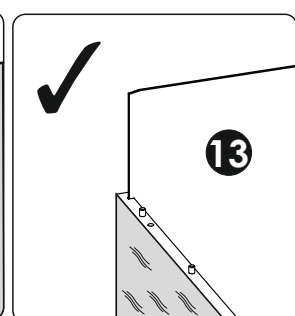
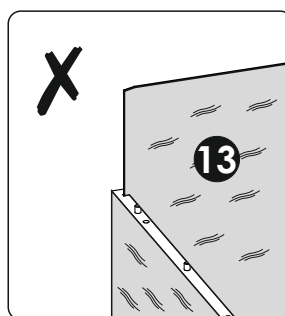
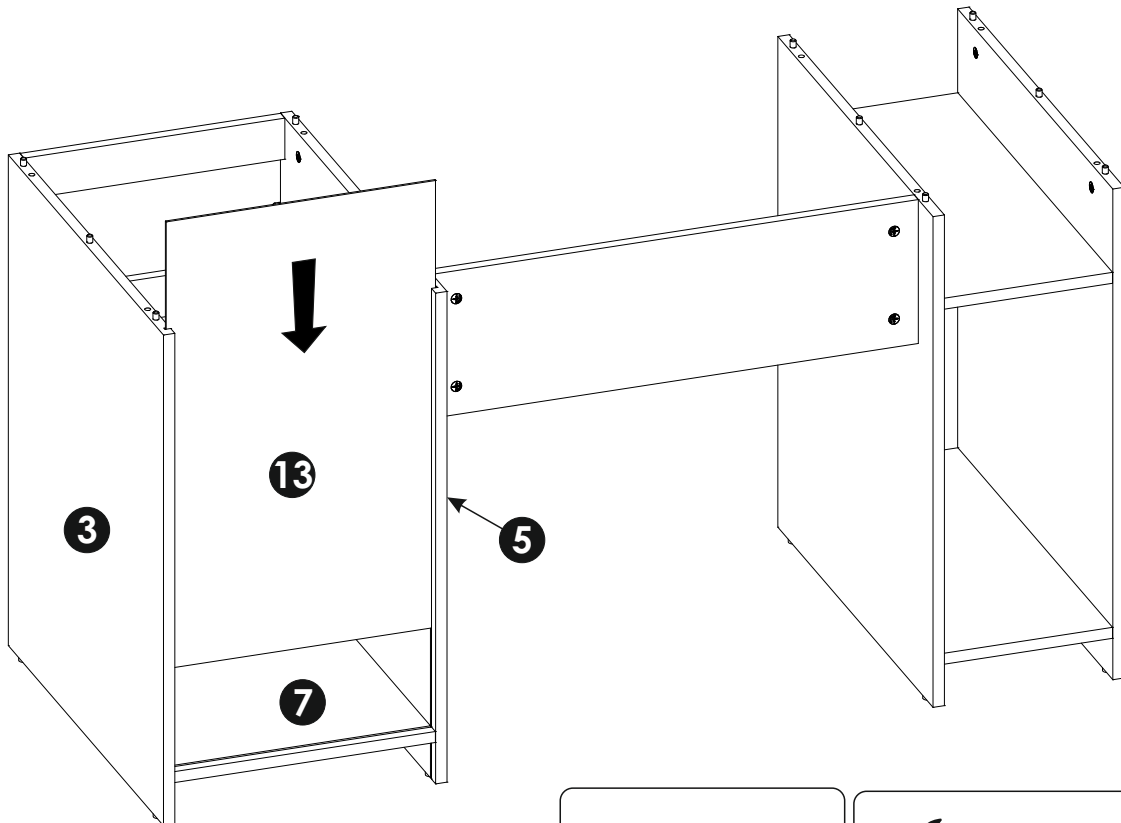
22 ▶



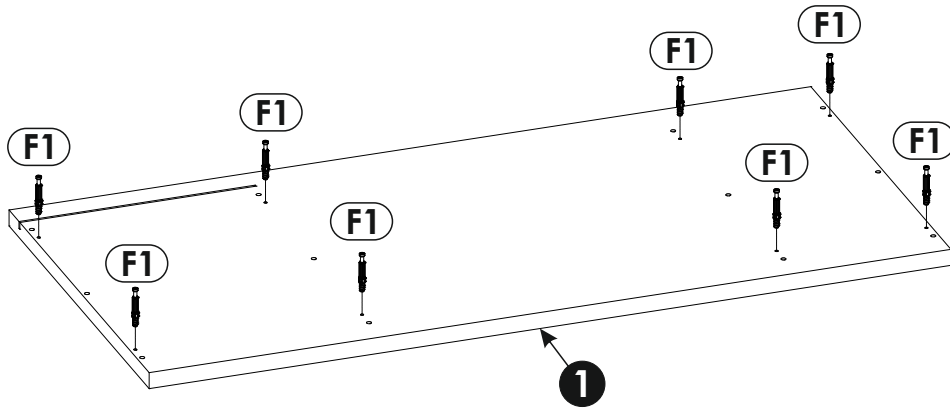
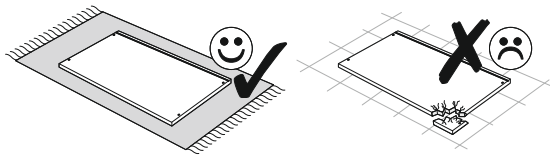
23 ▶



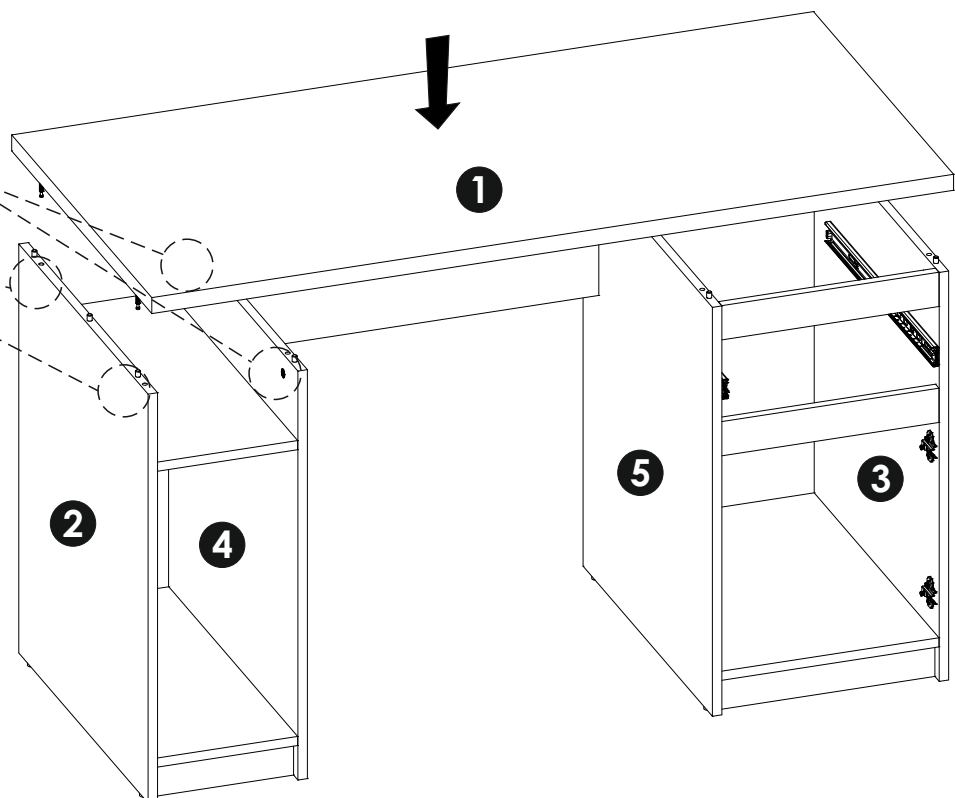
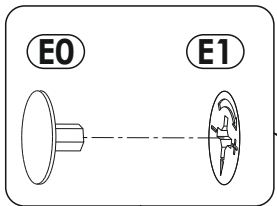
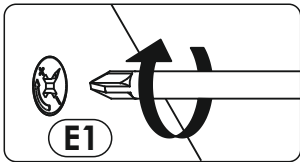
24 ▶



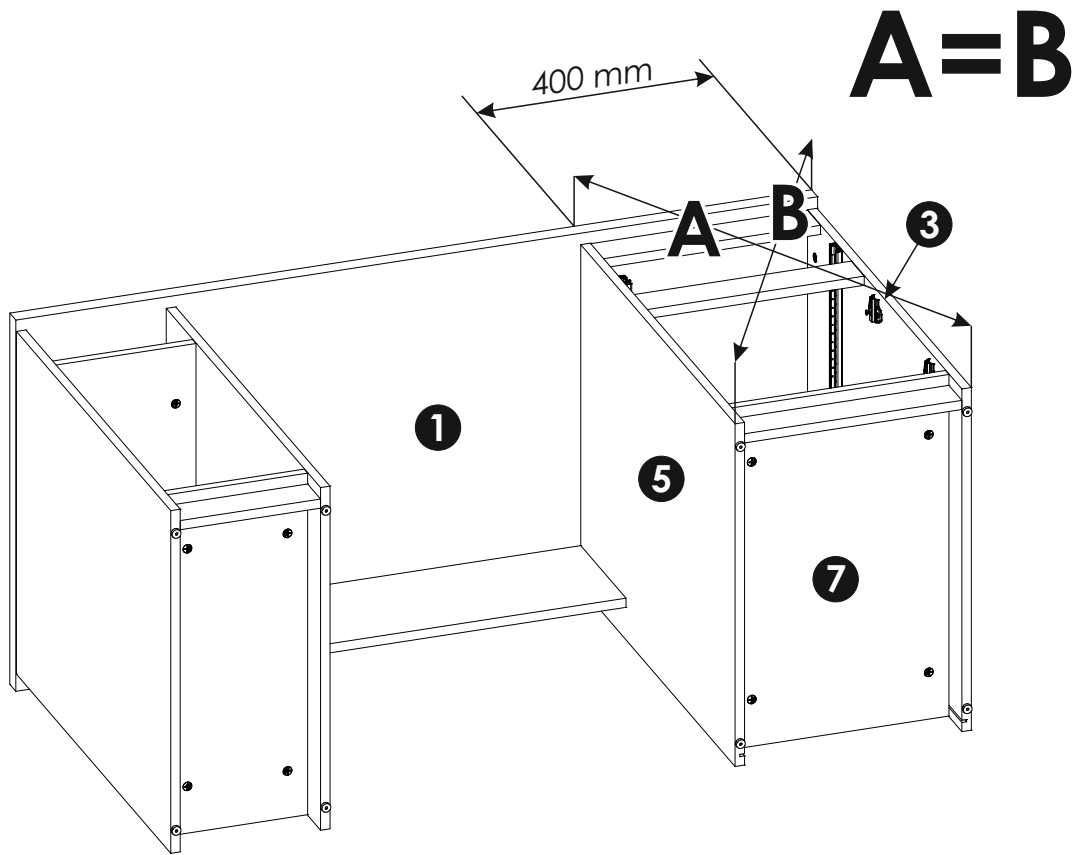
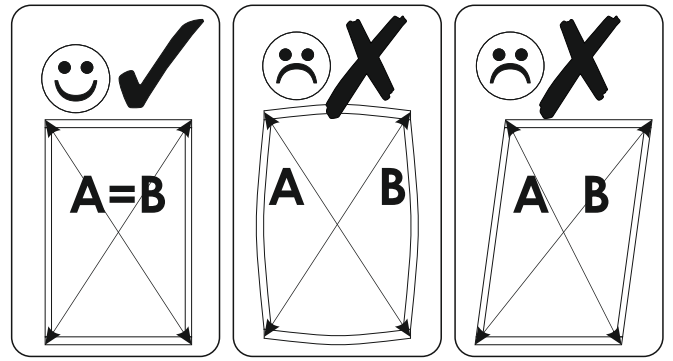
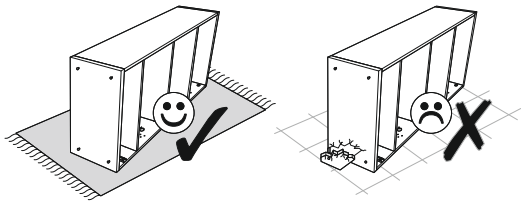
25 ▶



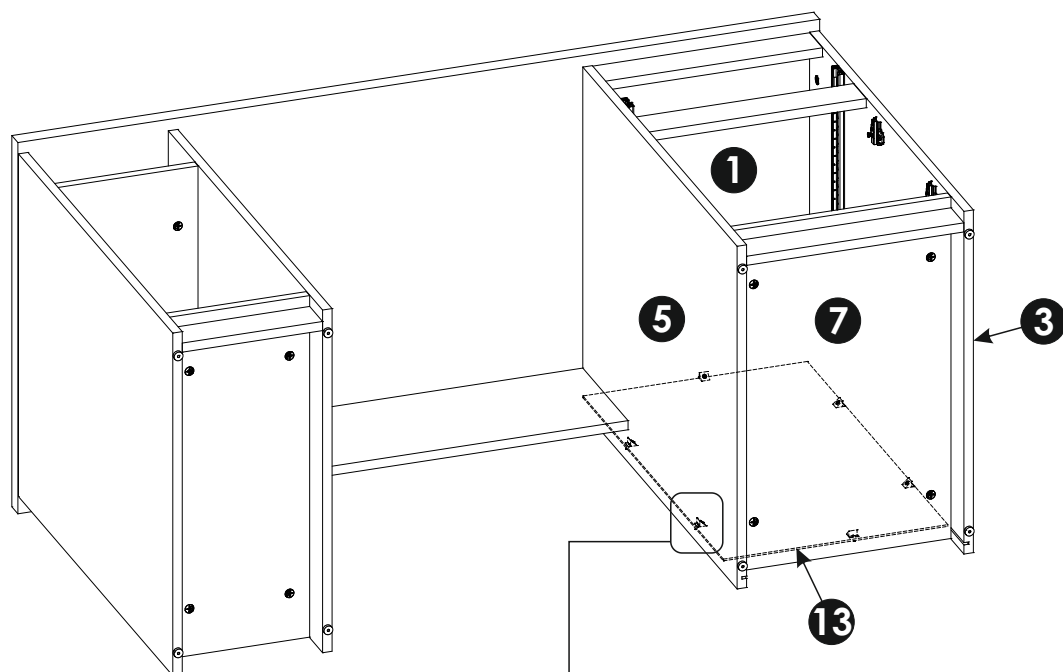
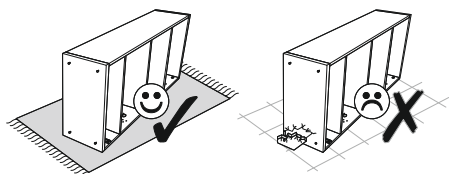
26 ▶



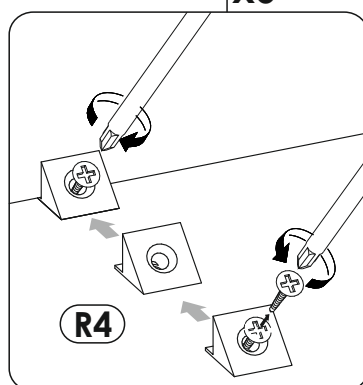
27 ▶



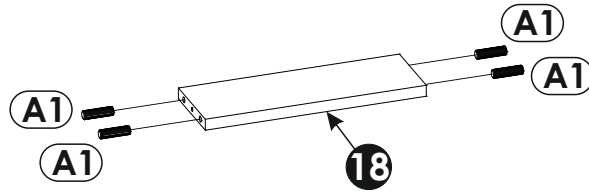
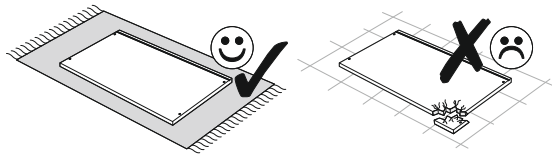
28 ▶



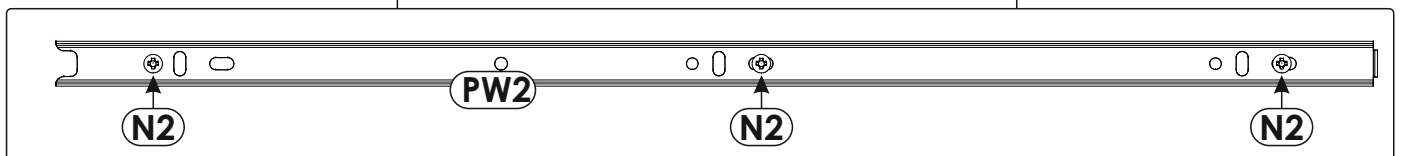
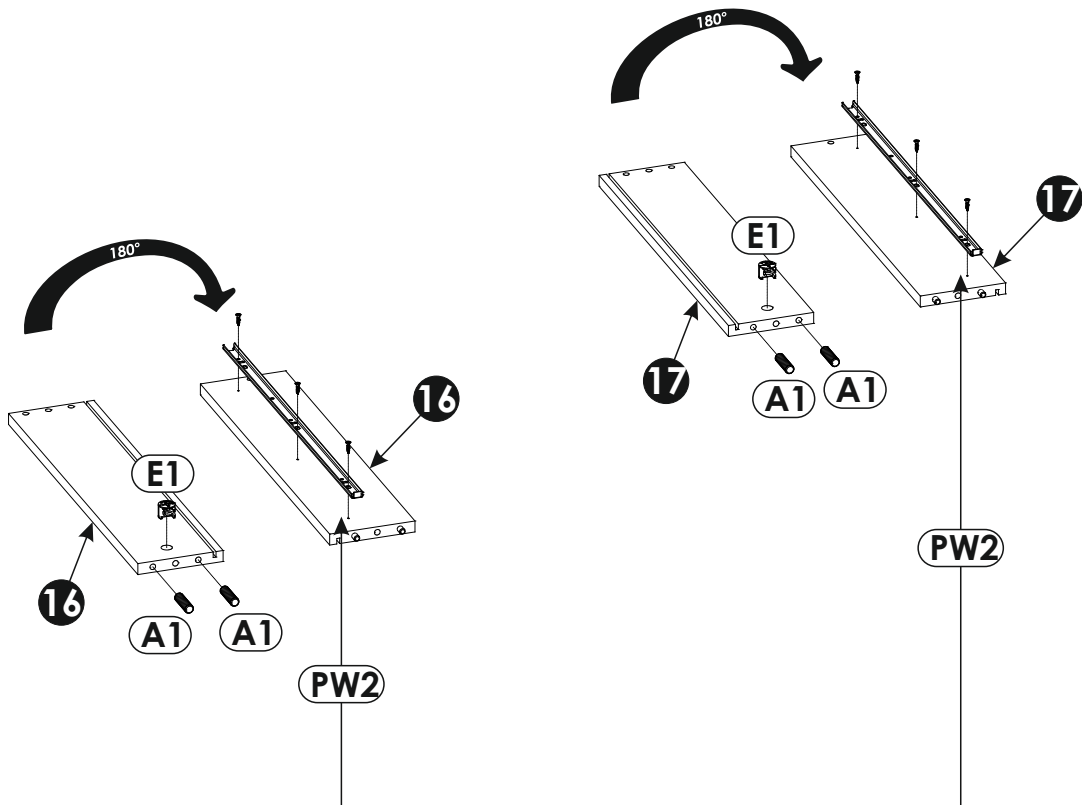
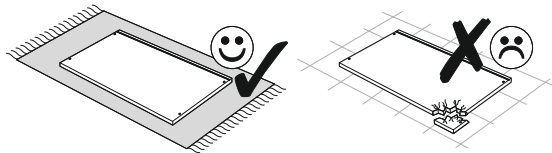
x6



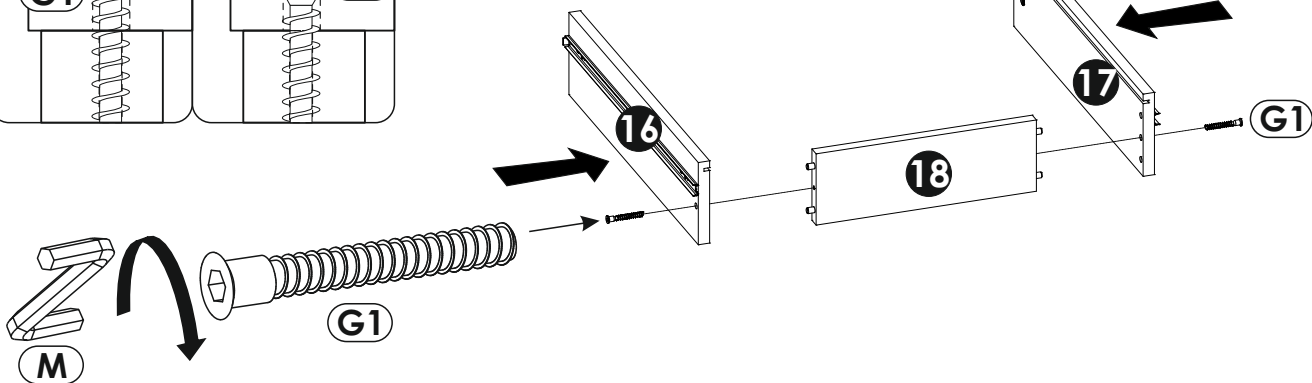
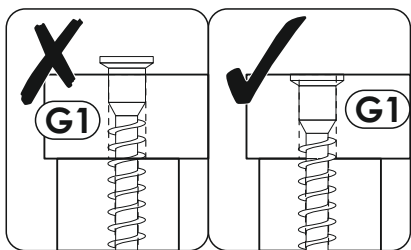
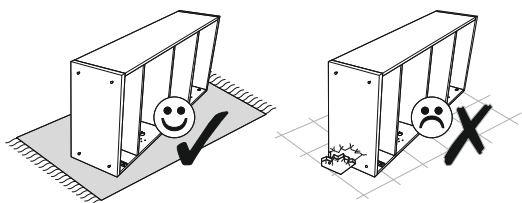
29 ▶



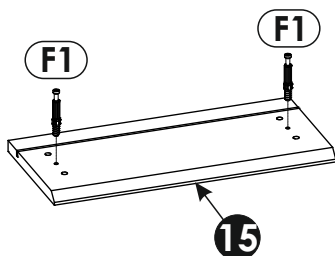
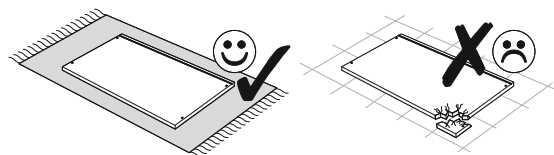
30 ▶



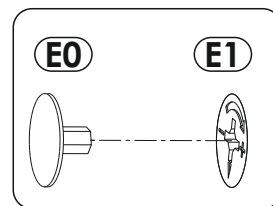
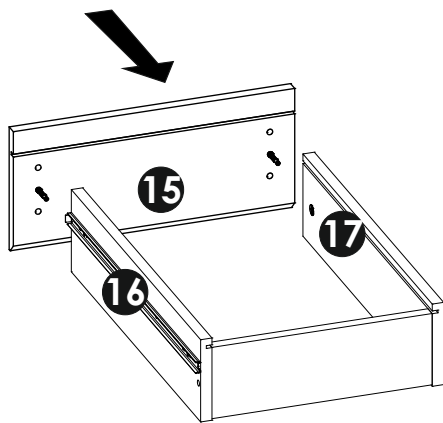
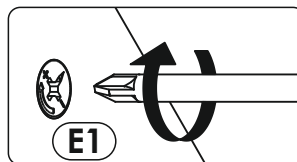
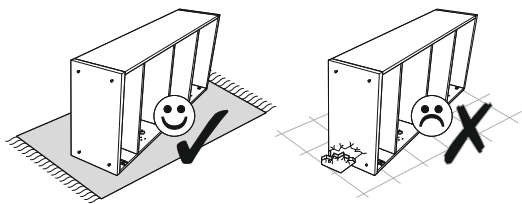
31 ▶



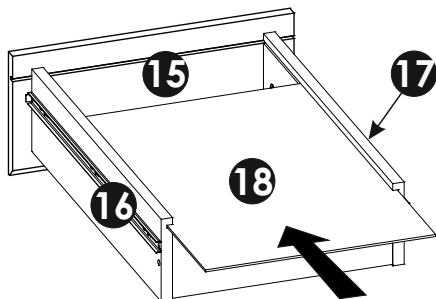
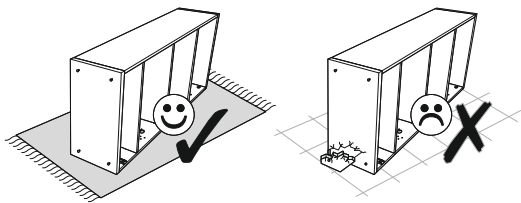
32 ▶



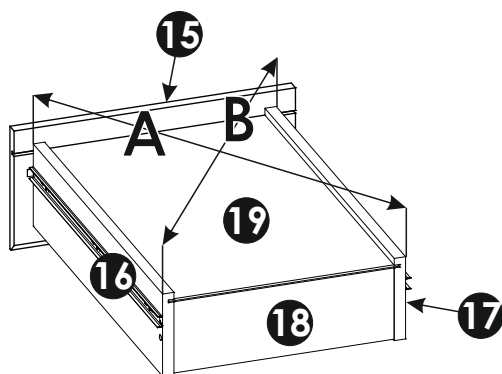
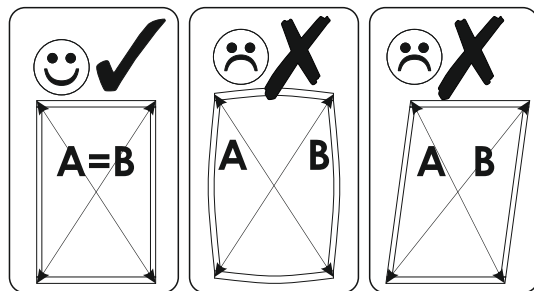
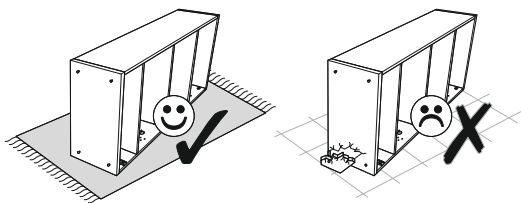
33 ▶



34 ▶

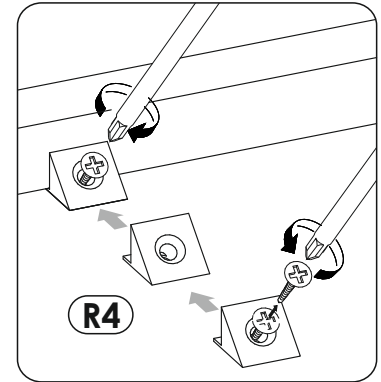
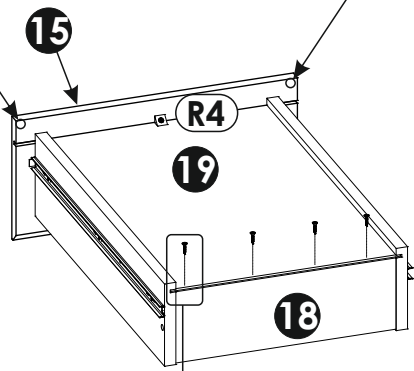
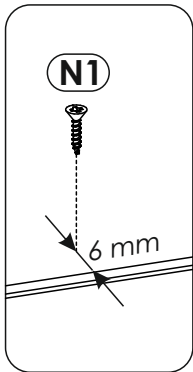
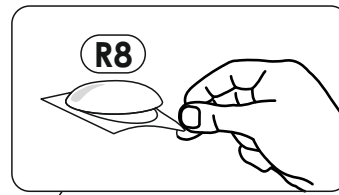
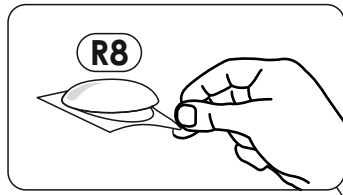
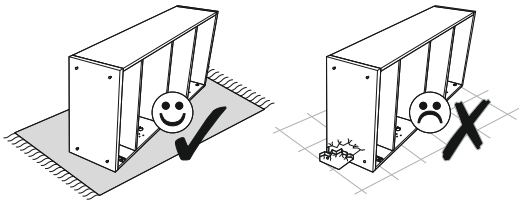


35 ▶

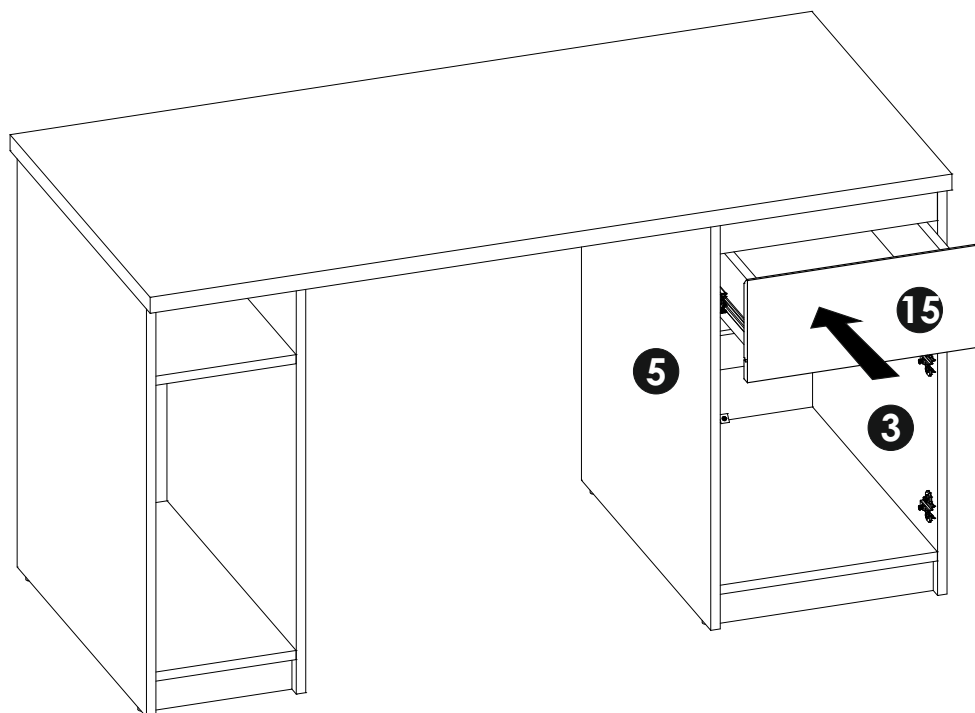


A=B

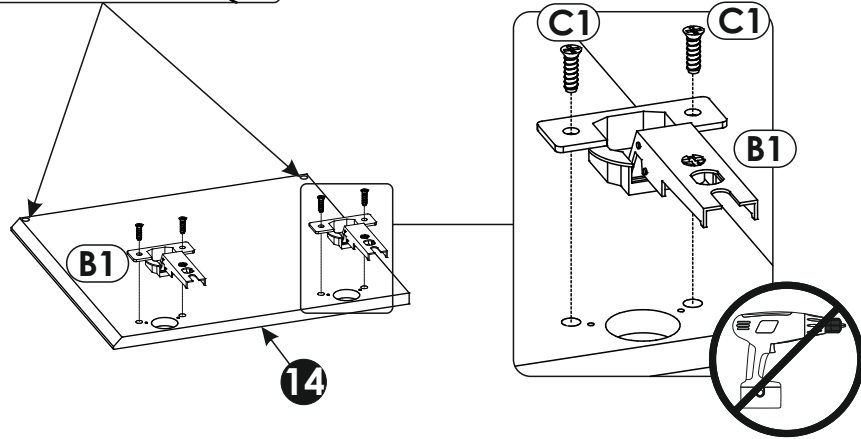
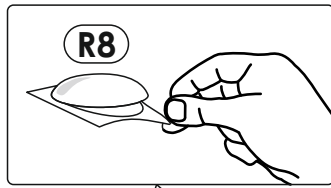
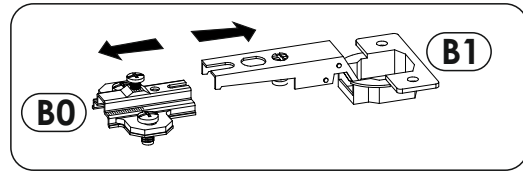
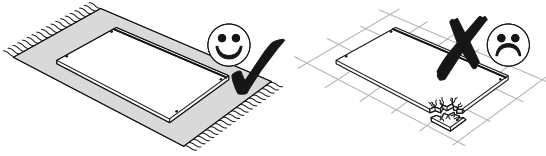
36▶



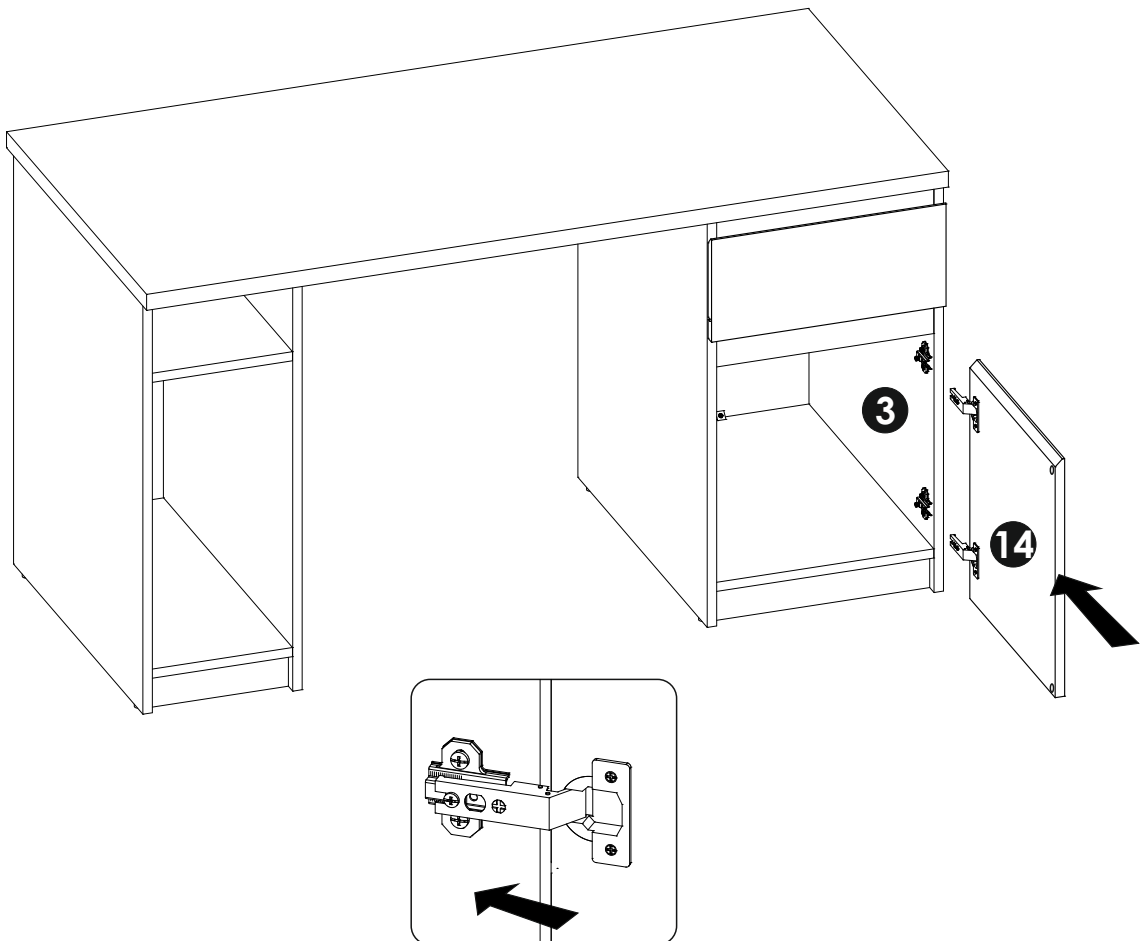
37▶



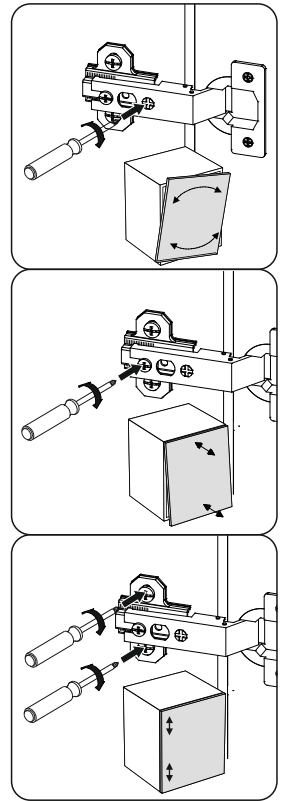
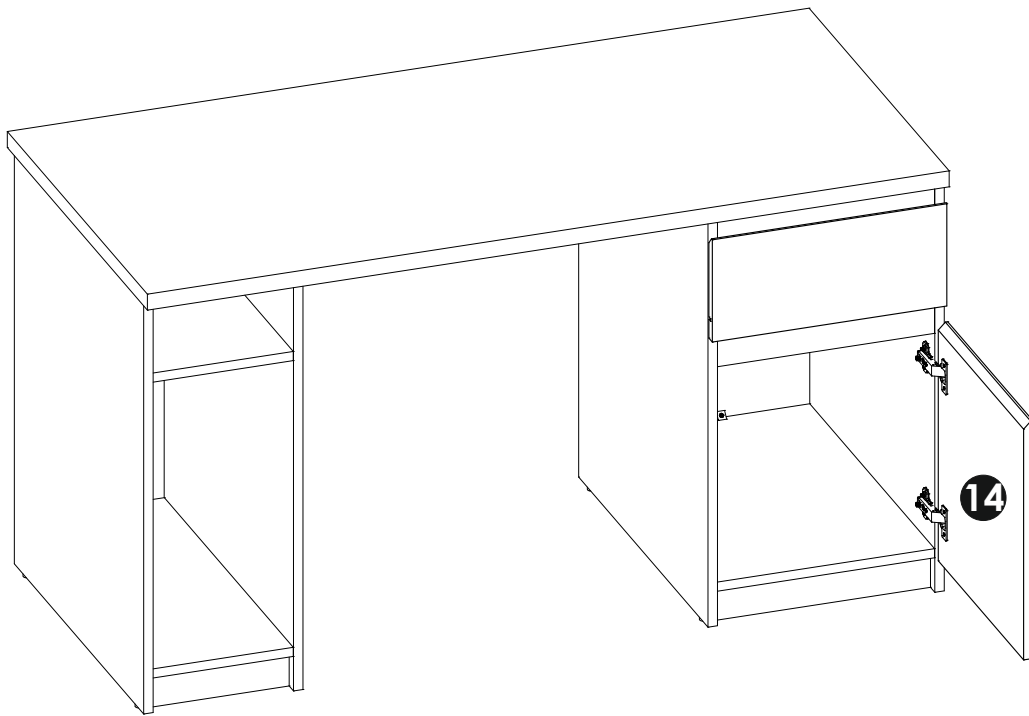
38 ▶



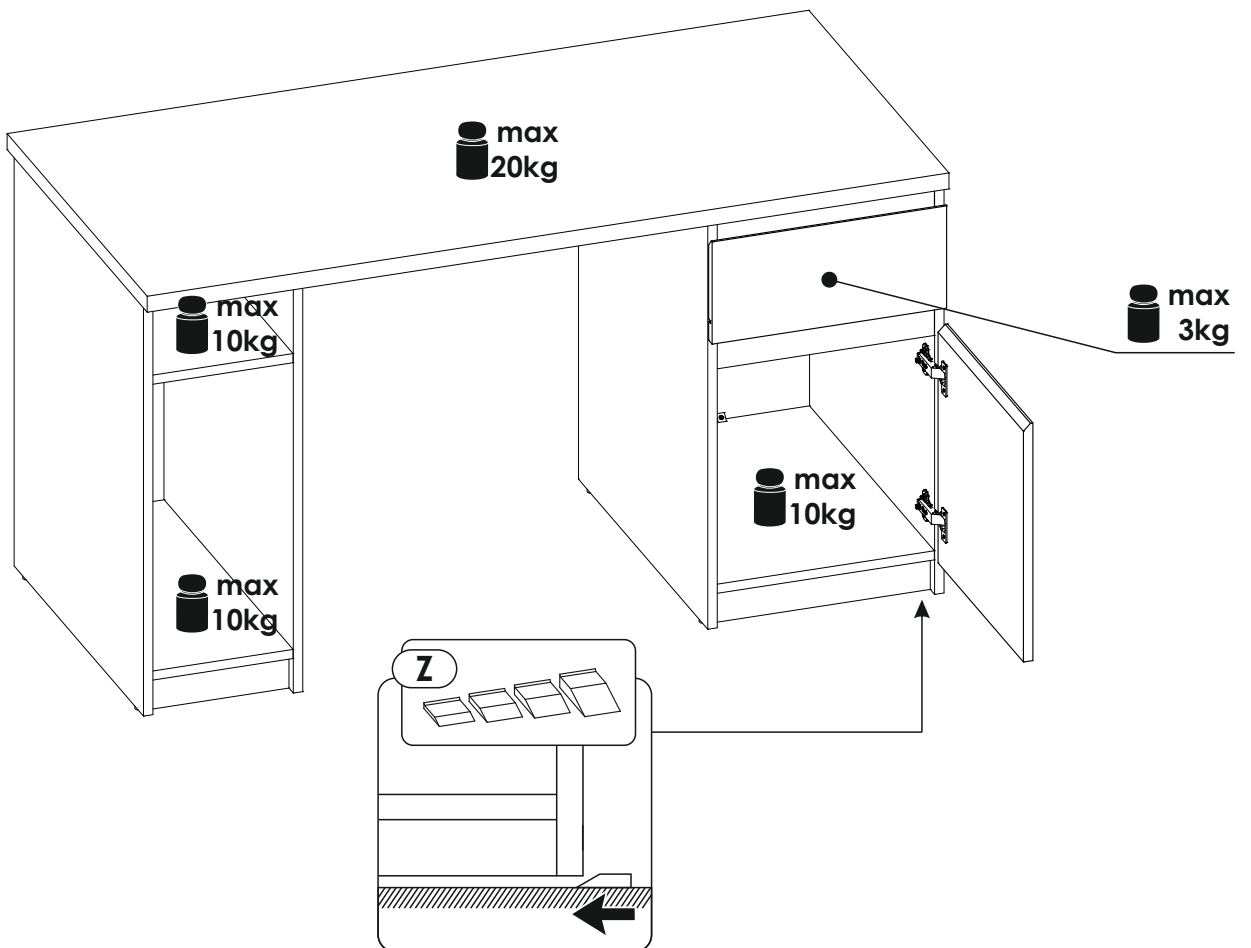
39 ▶

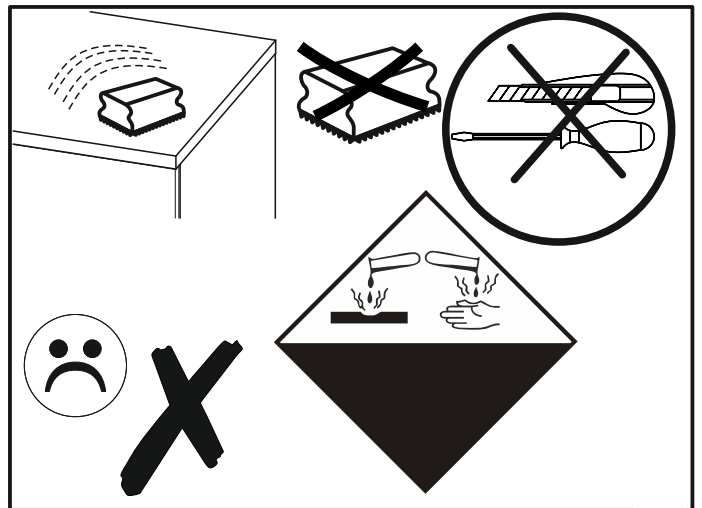
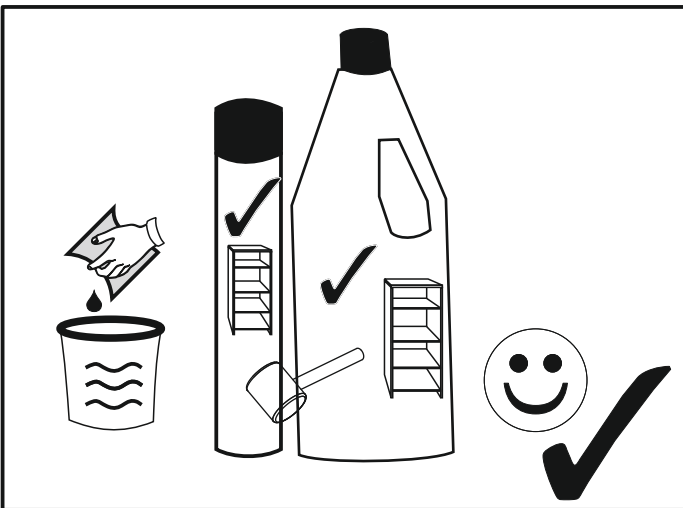


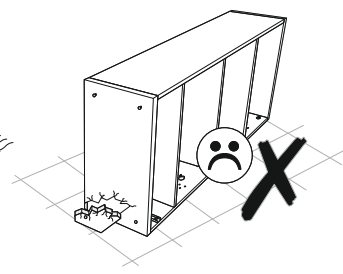
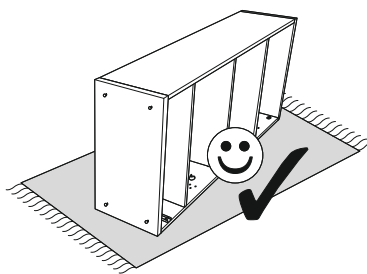
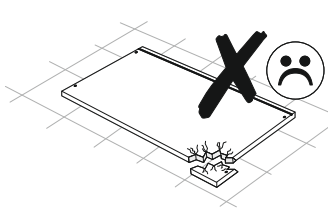
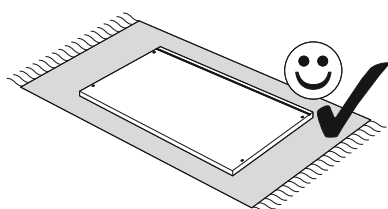
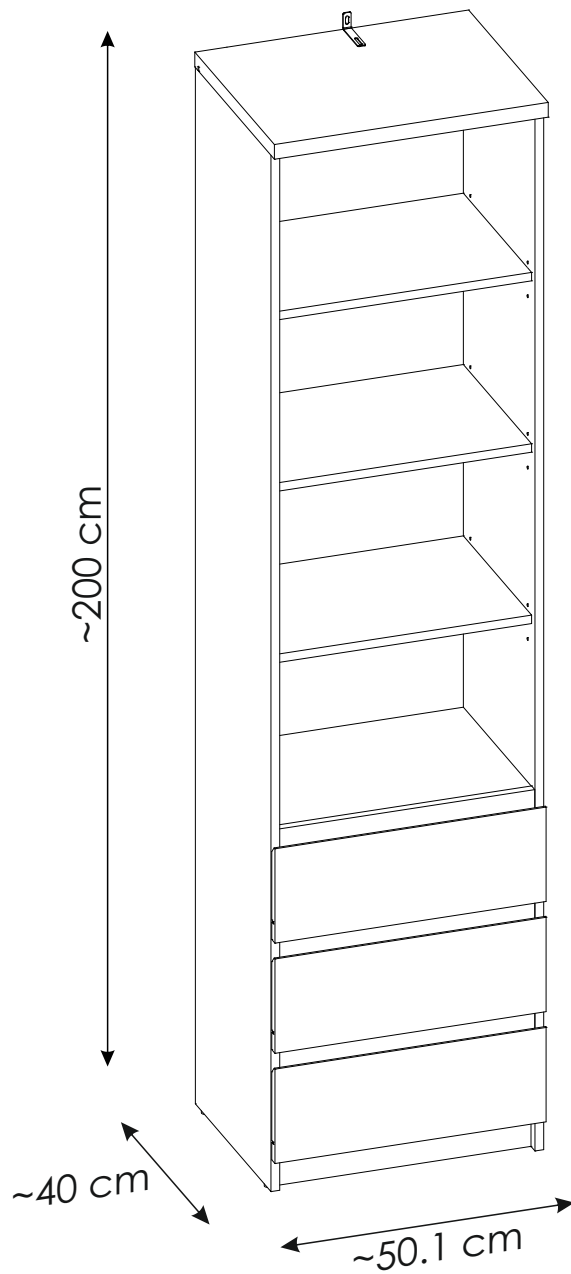
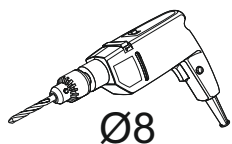
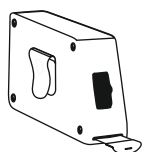
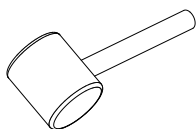
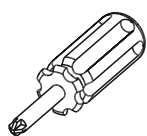
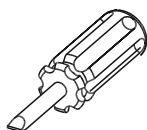
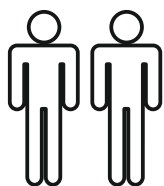
40 ▶

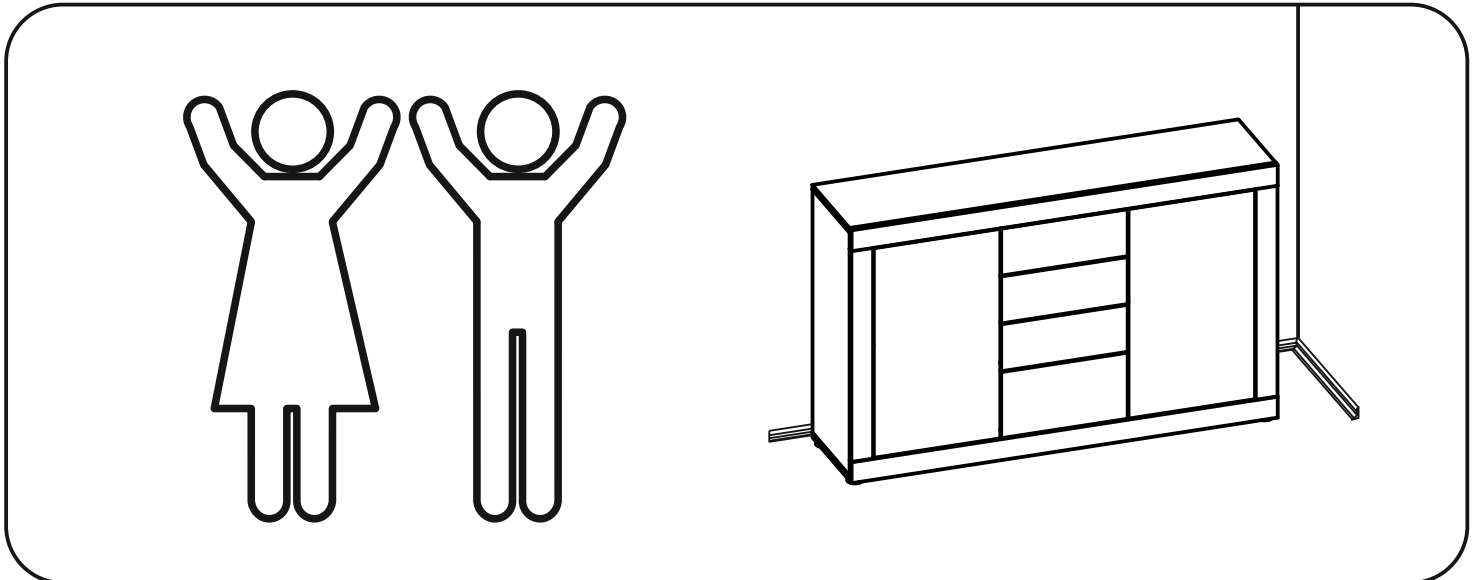
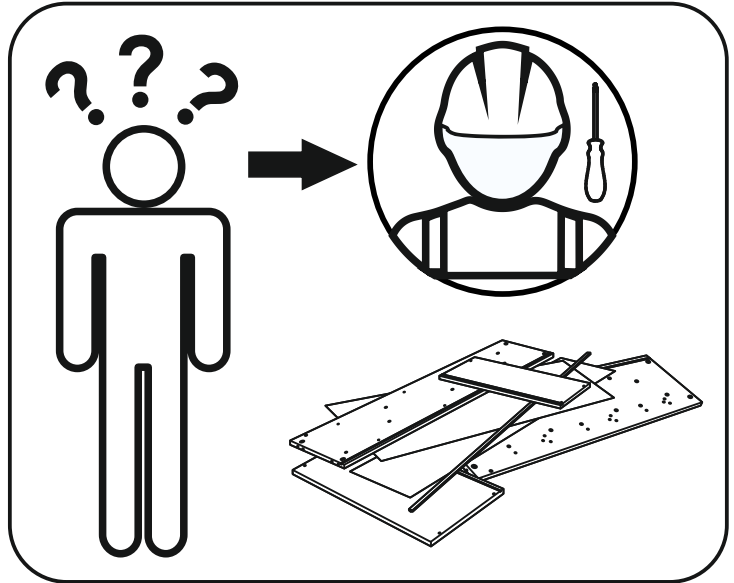
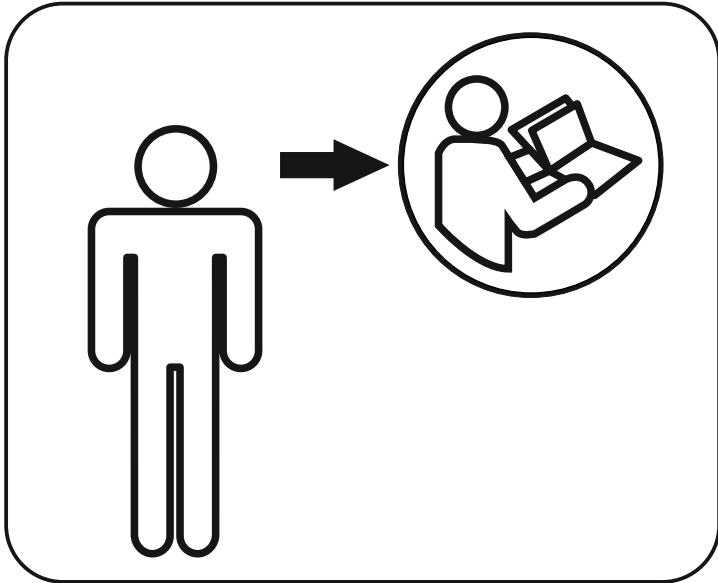
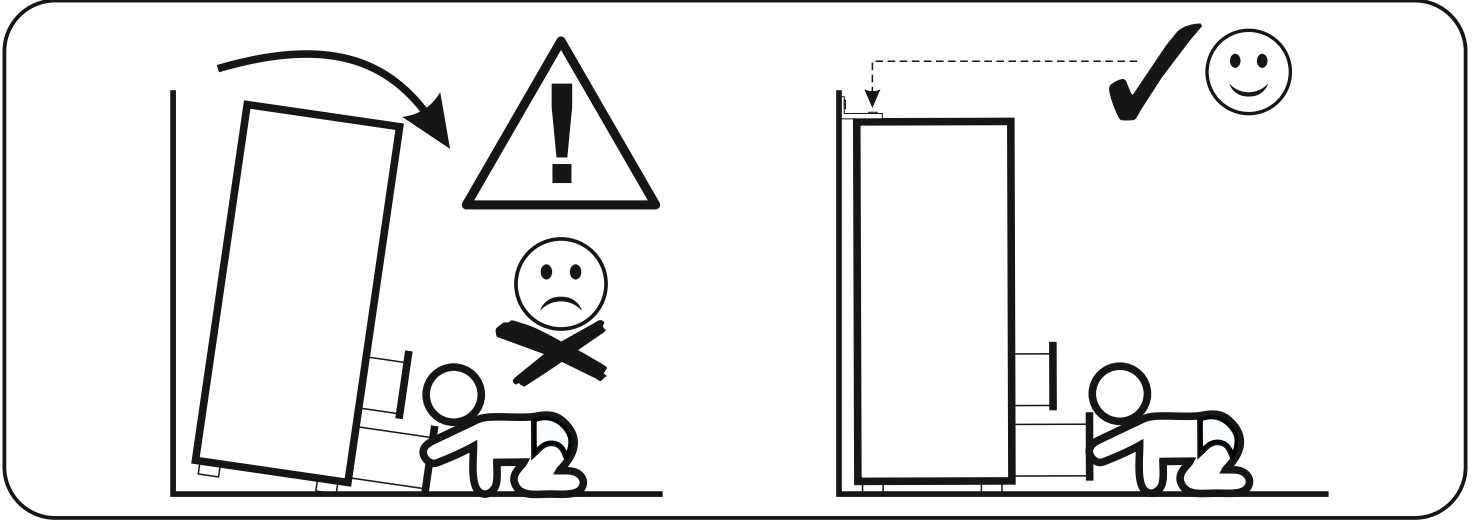
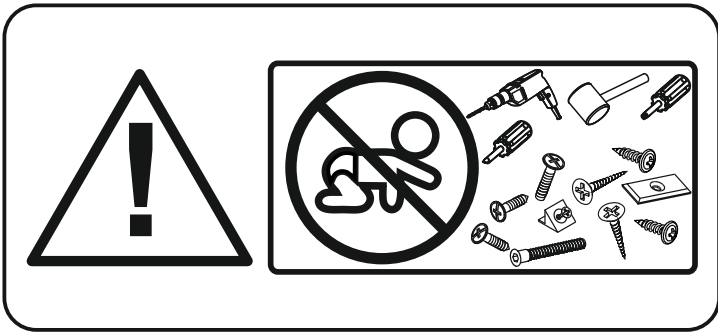


41 ▶

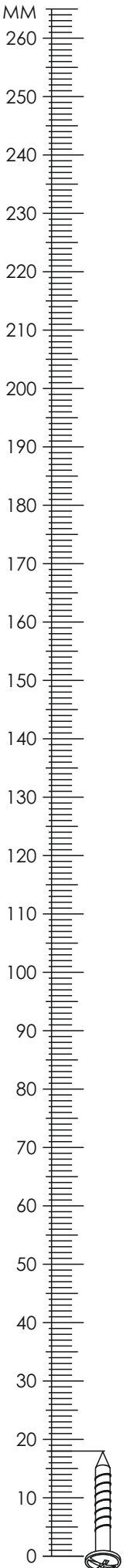


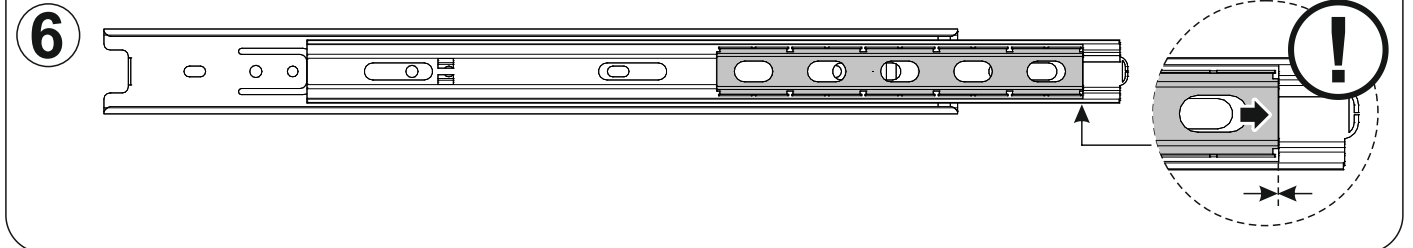
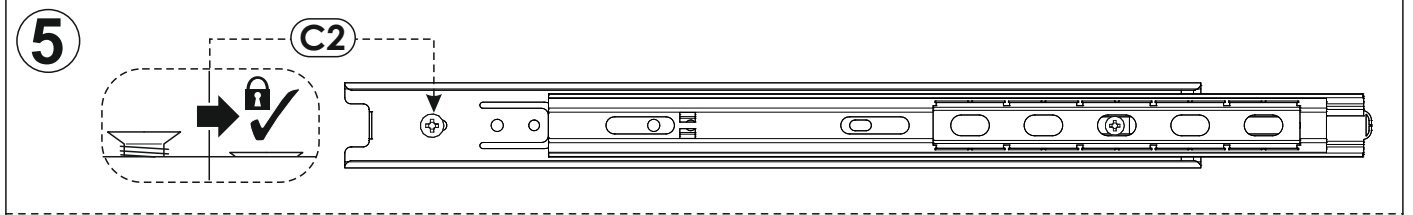
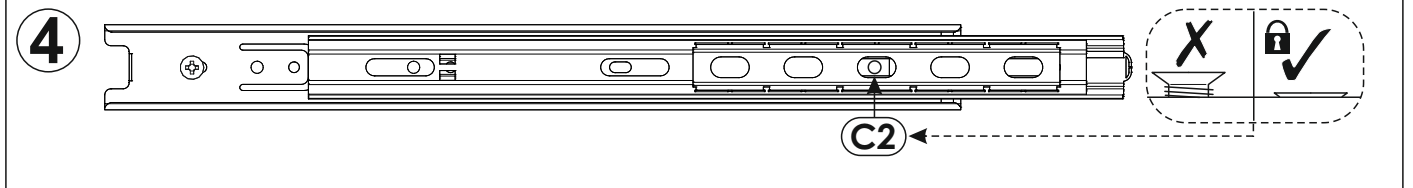
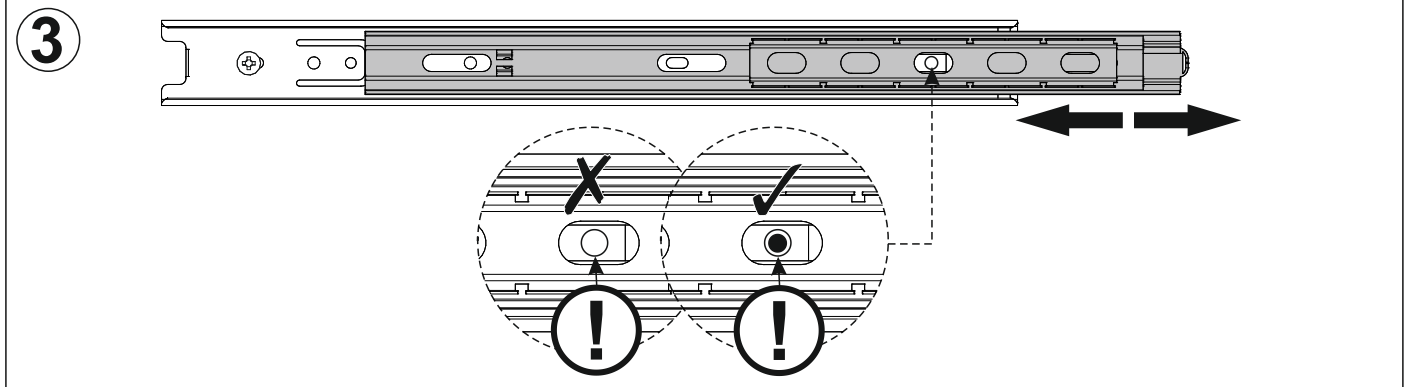
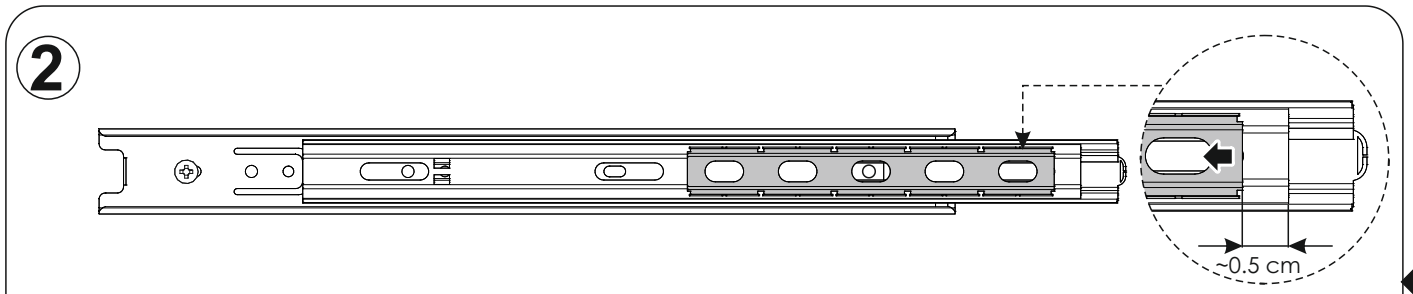
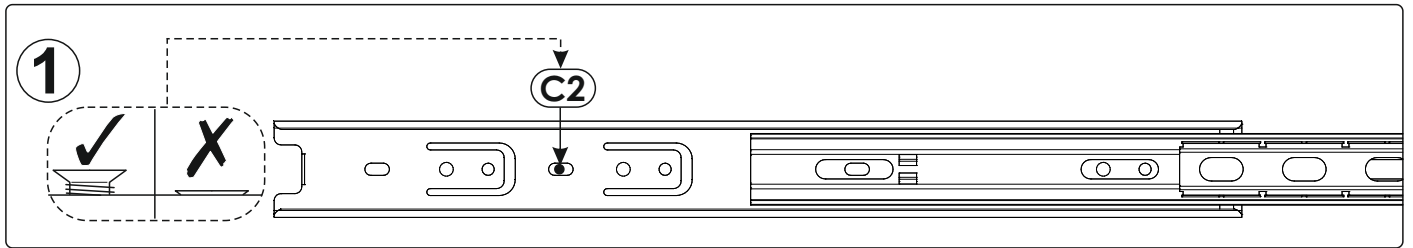
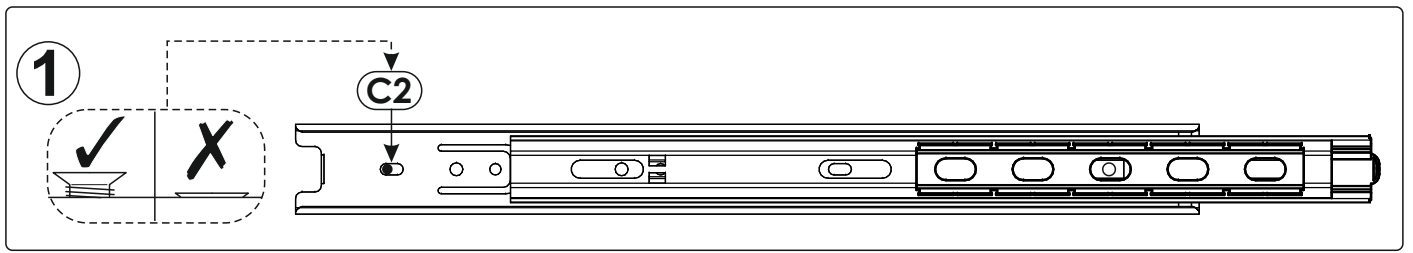


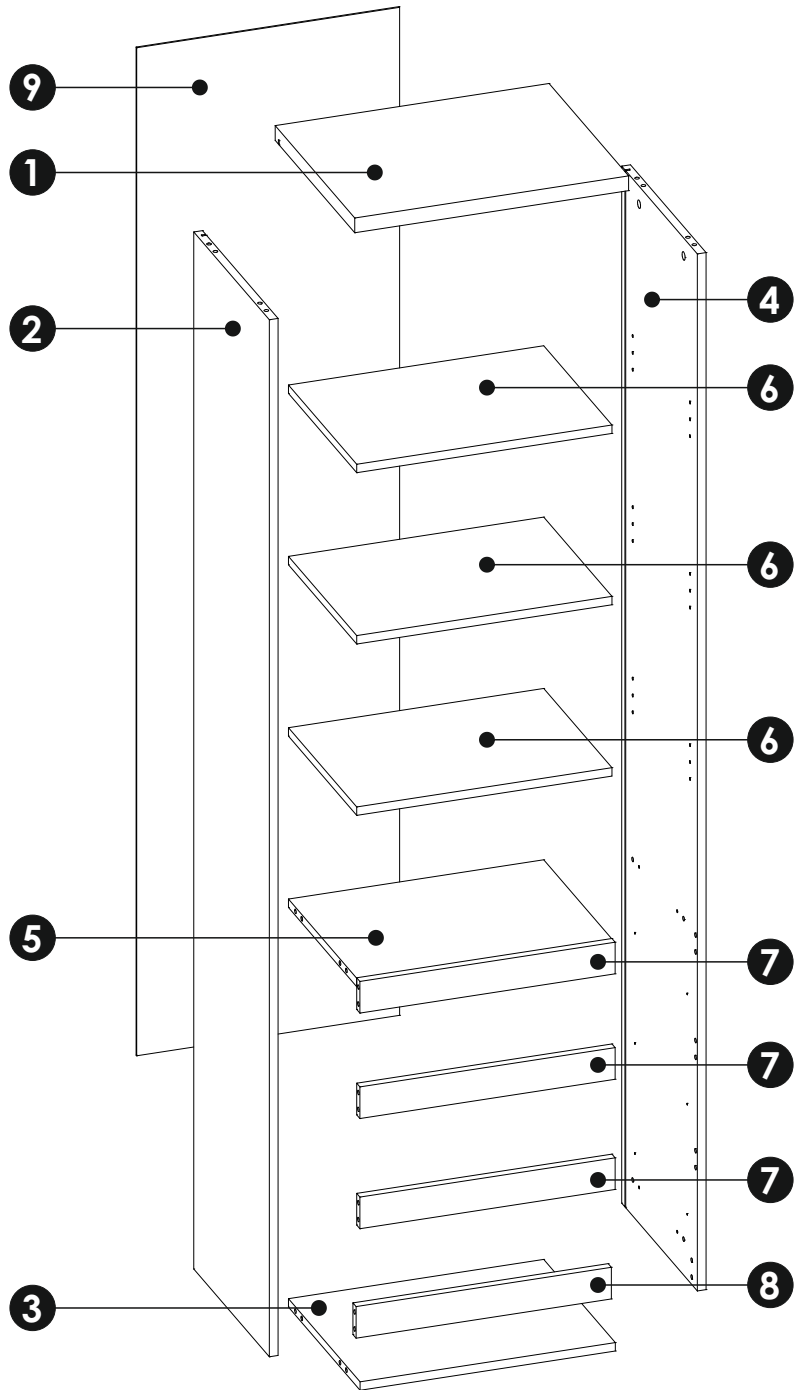
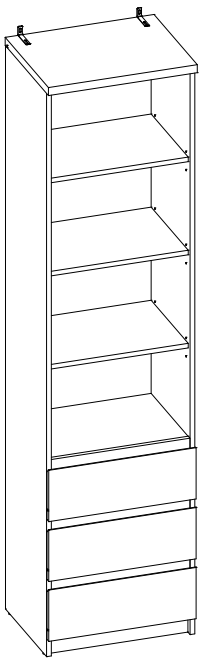




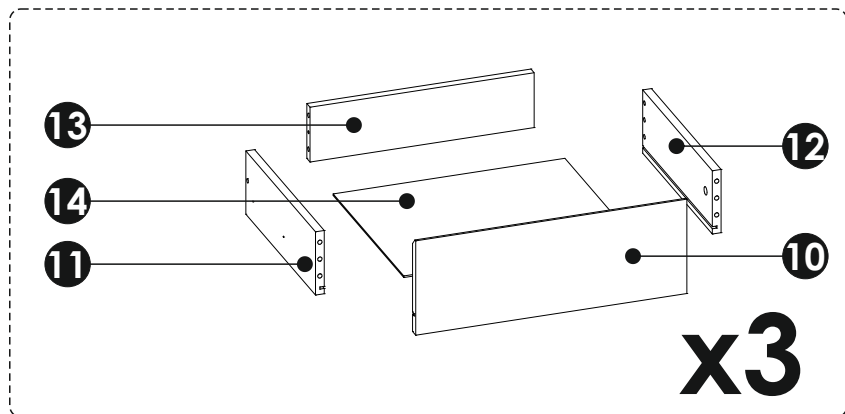
A1	8 x 35 mm	x52	C2	5 x 13 mm	x12	D6		x12
E0		x10	E1	15 x 12 mm	x18	F1	6 x 34 mm	x18
G1	7 x 50 mm	x6	I2	4 x 16 mm	x1	J4	3,5 x 16 mm	x18
M		x1	N1	3 X 16 mm	x20	O2		x4
PW	L - 350 mm	x6	Q9		x1	R4		x14
R8		x6	S13		x1	Z		x1

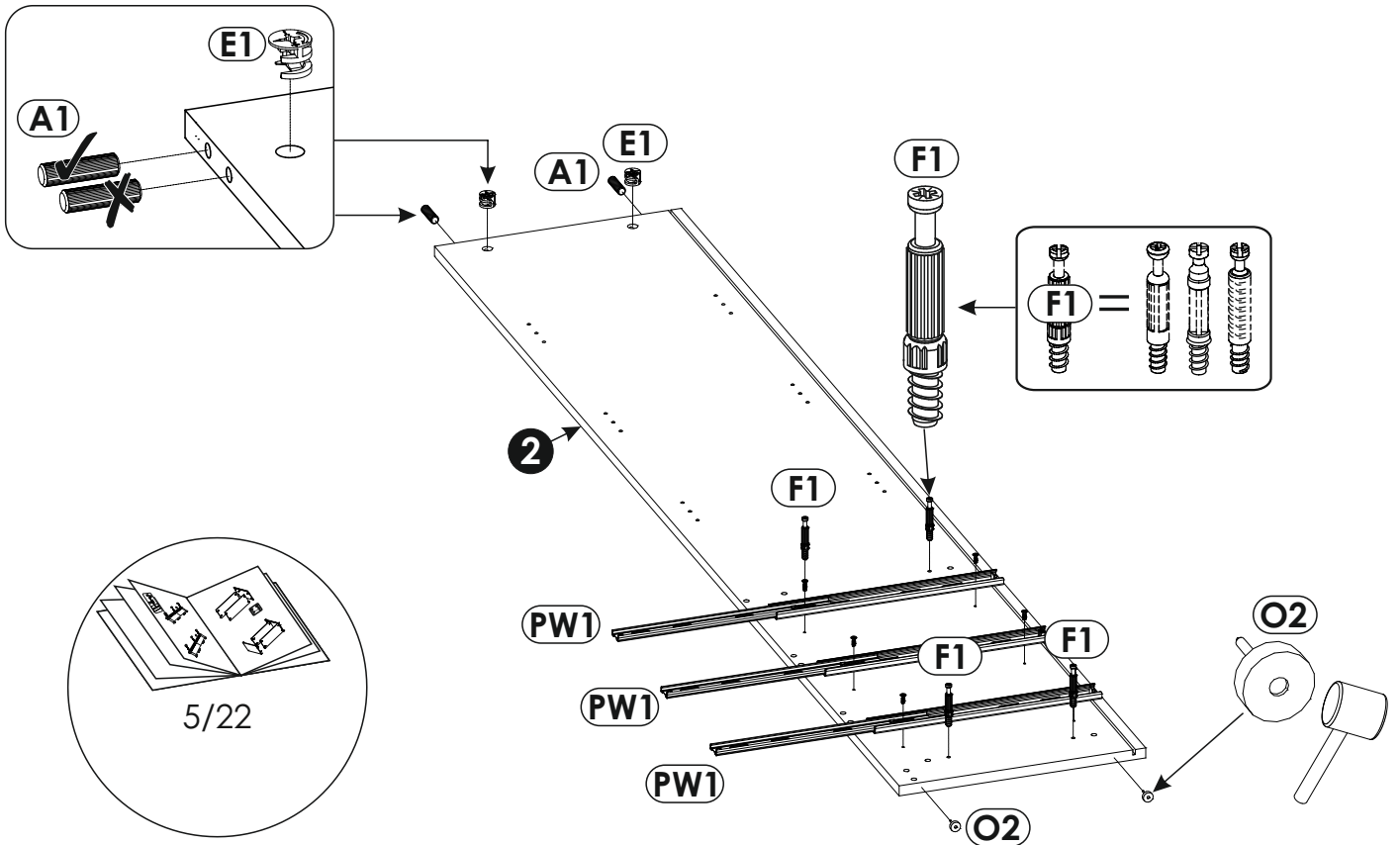
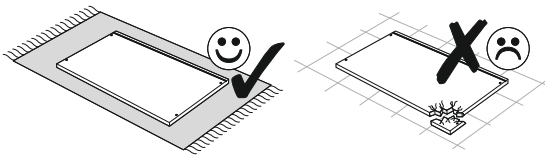
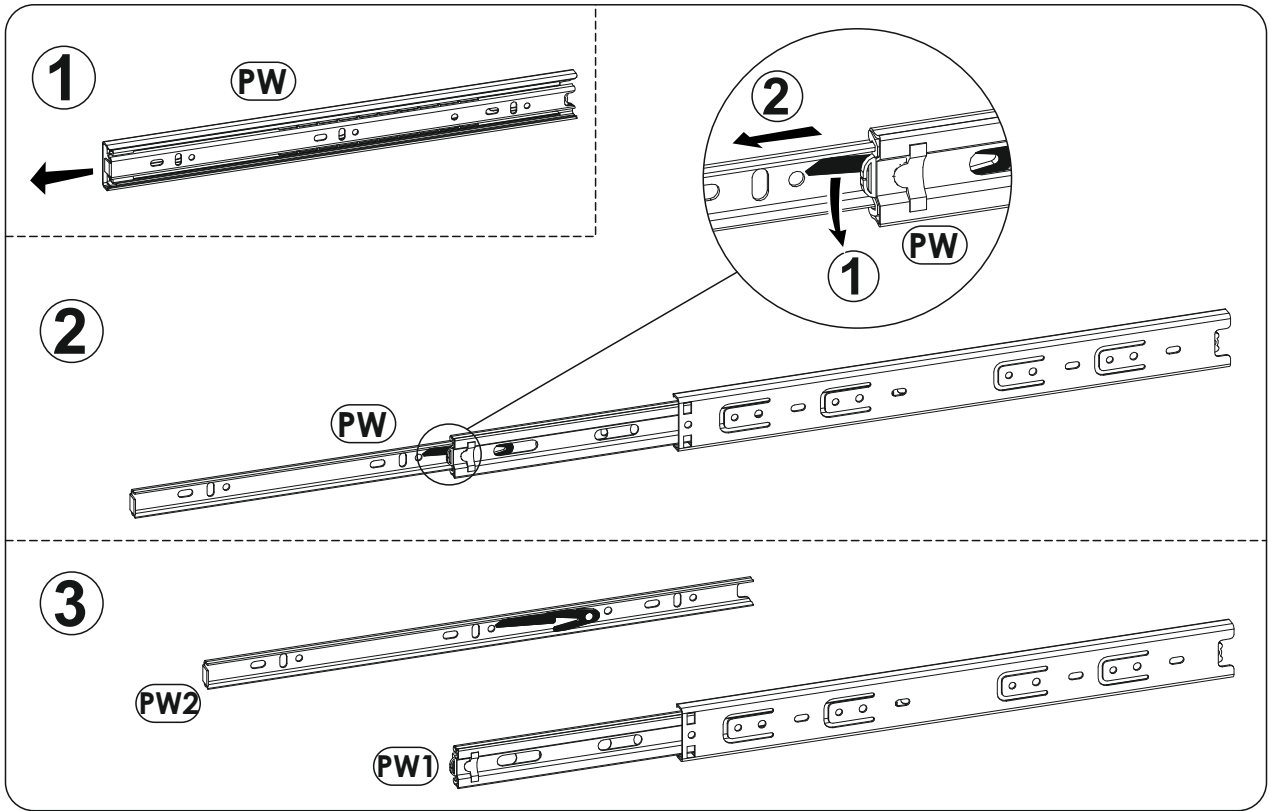




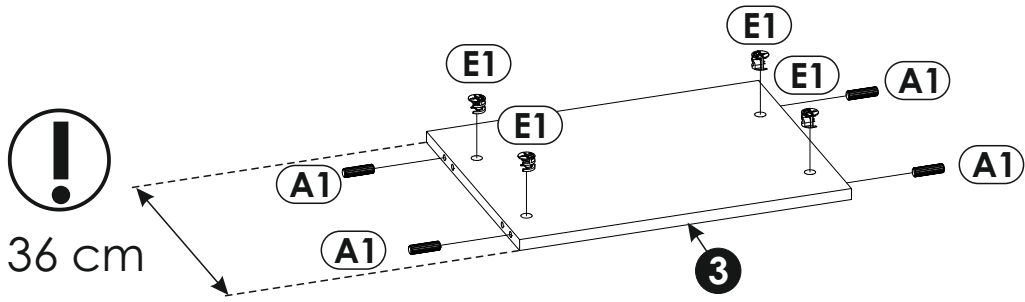
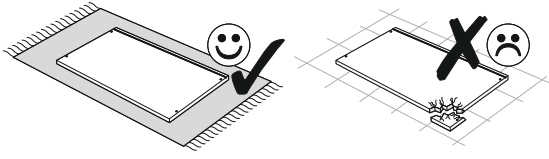


1	501	400	28	x1	1/2
2	1967	380	16	x1	2/2
3	467	360	16	x1	1/2
4	1967	380	16	x1	2/2
5	467	343	16	x1	2/2
6	467	343	16	x3	2/2
7	467	60	16	x3	1/2
8	467	60	16	x1	1/2
9	1912	481	3	x1	2/2
10	496	179	16	x3	1/2
11	350	120	16	x3	1/2
12	350	120	16	x3	1/2
13	410	104	16	x3	1/2
14	424	355	3	x3	1/2

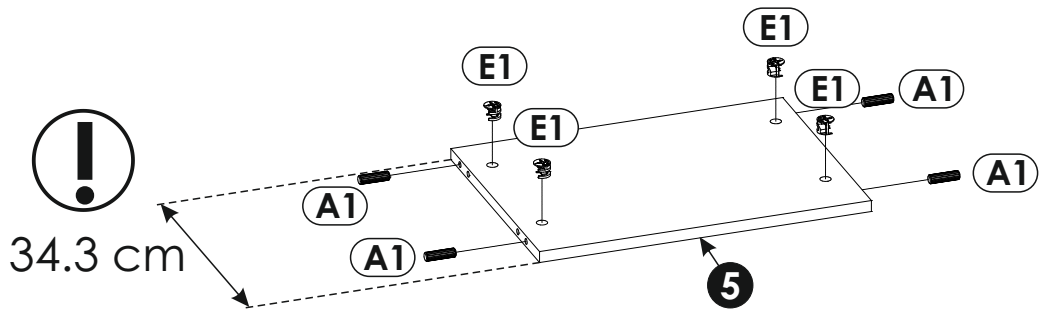
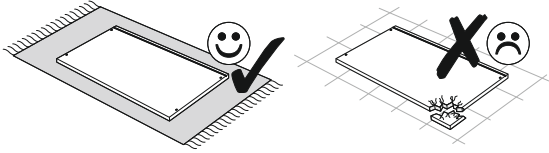


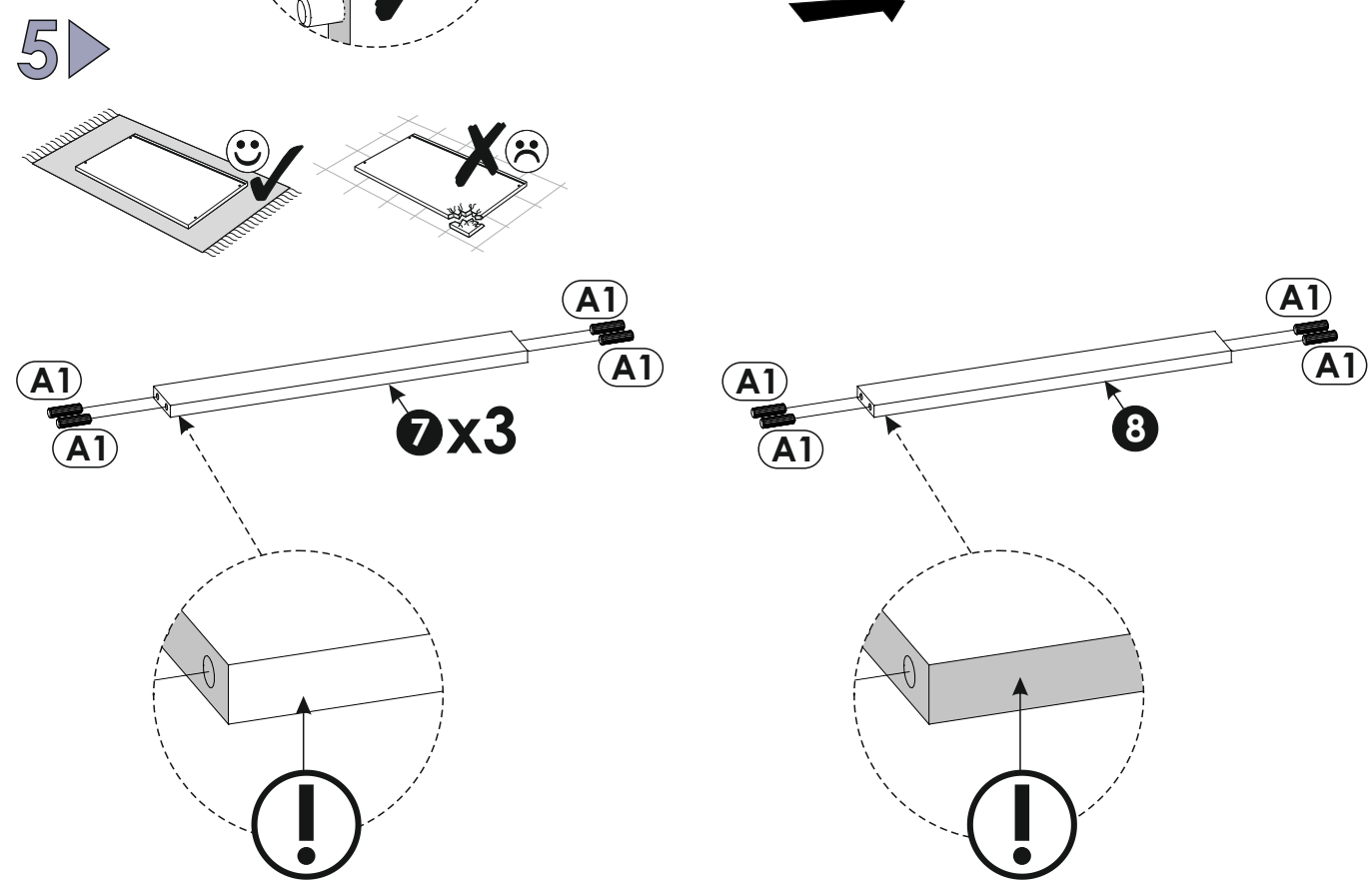
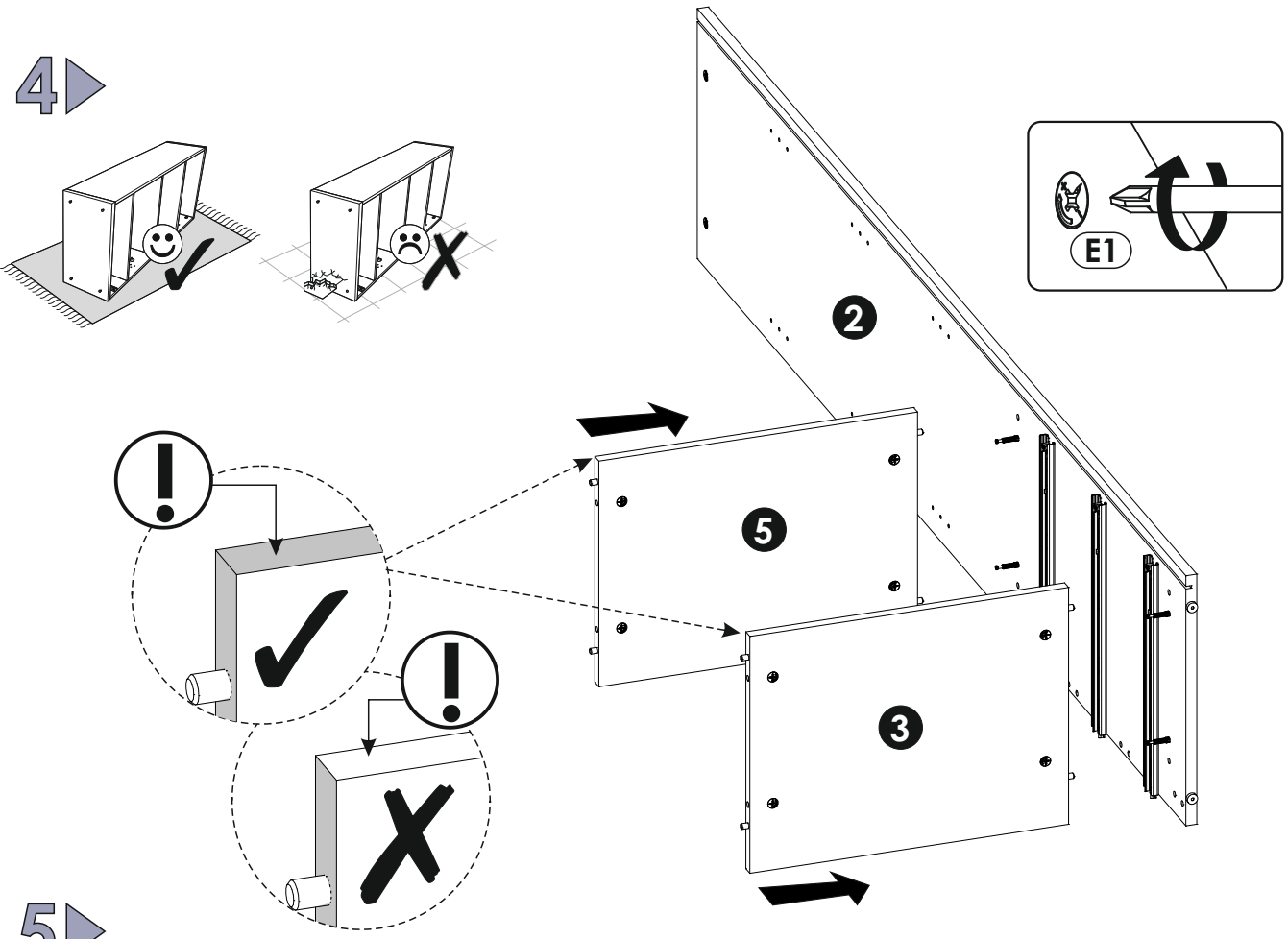
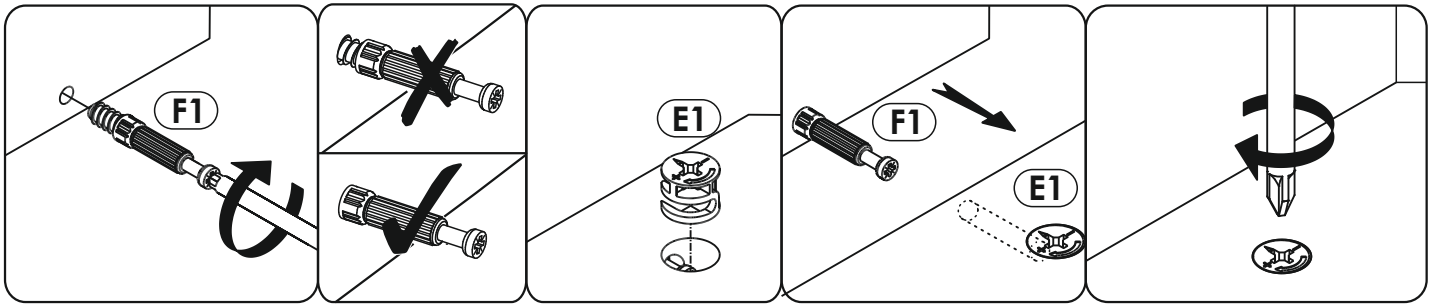


2 ▶

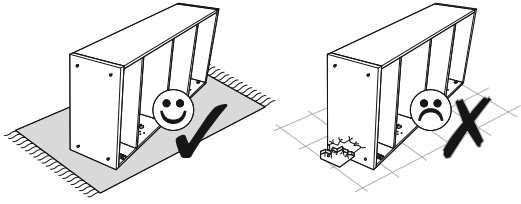


3 ▶

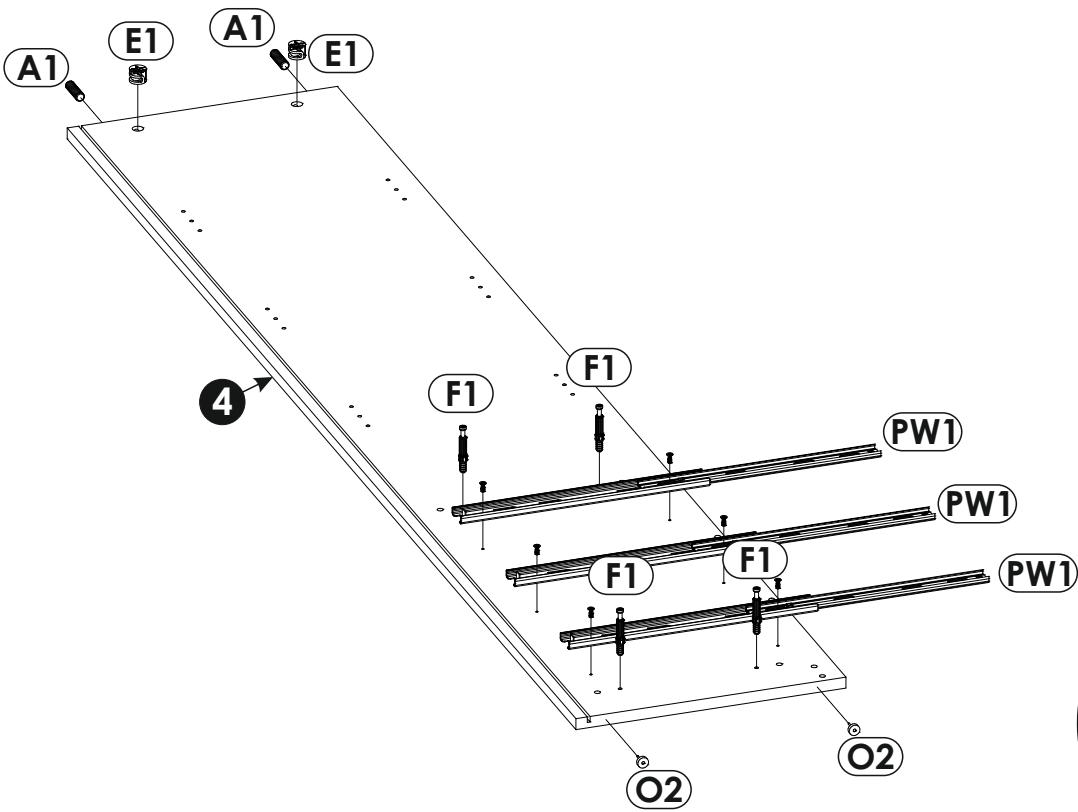
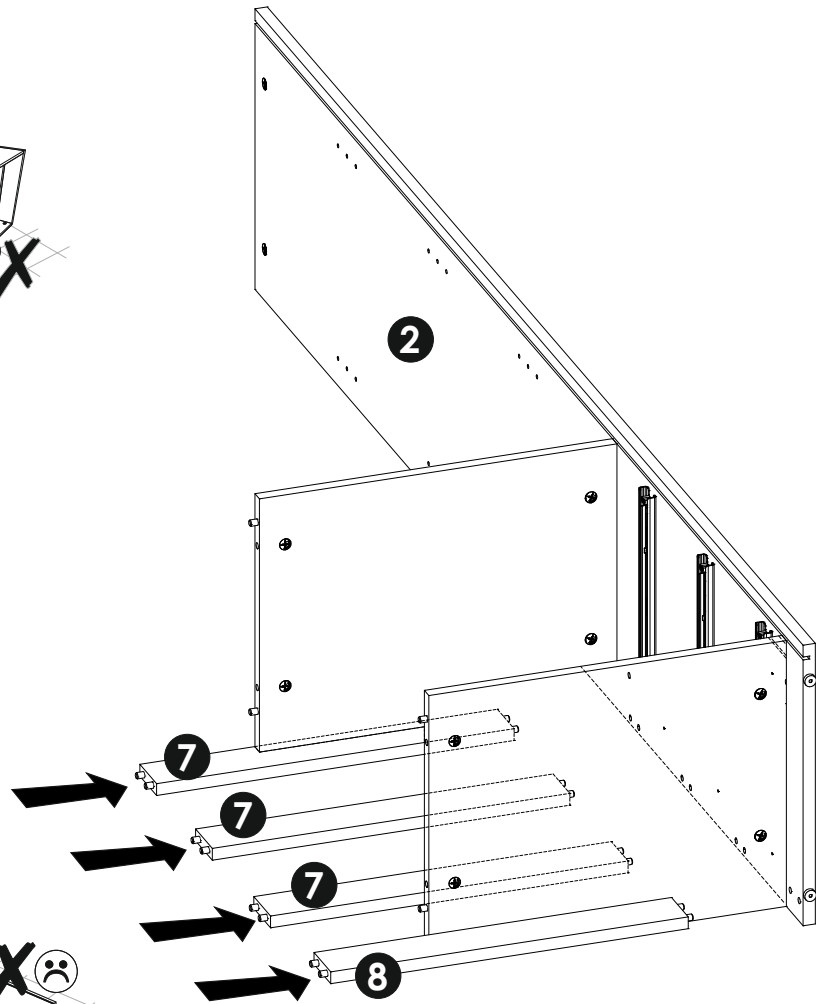
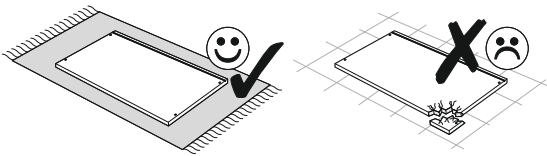




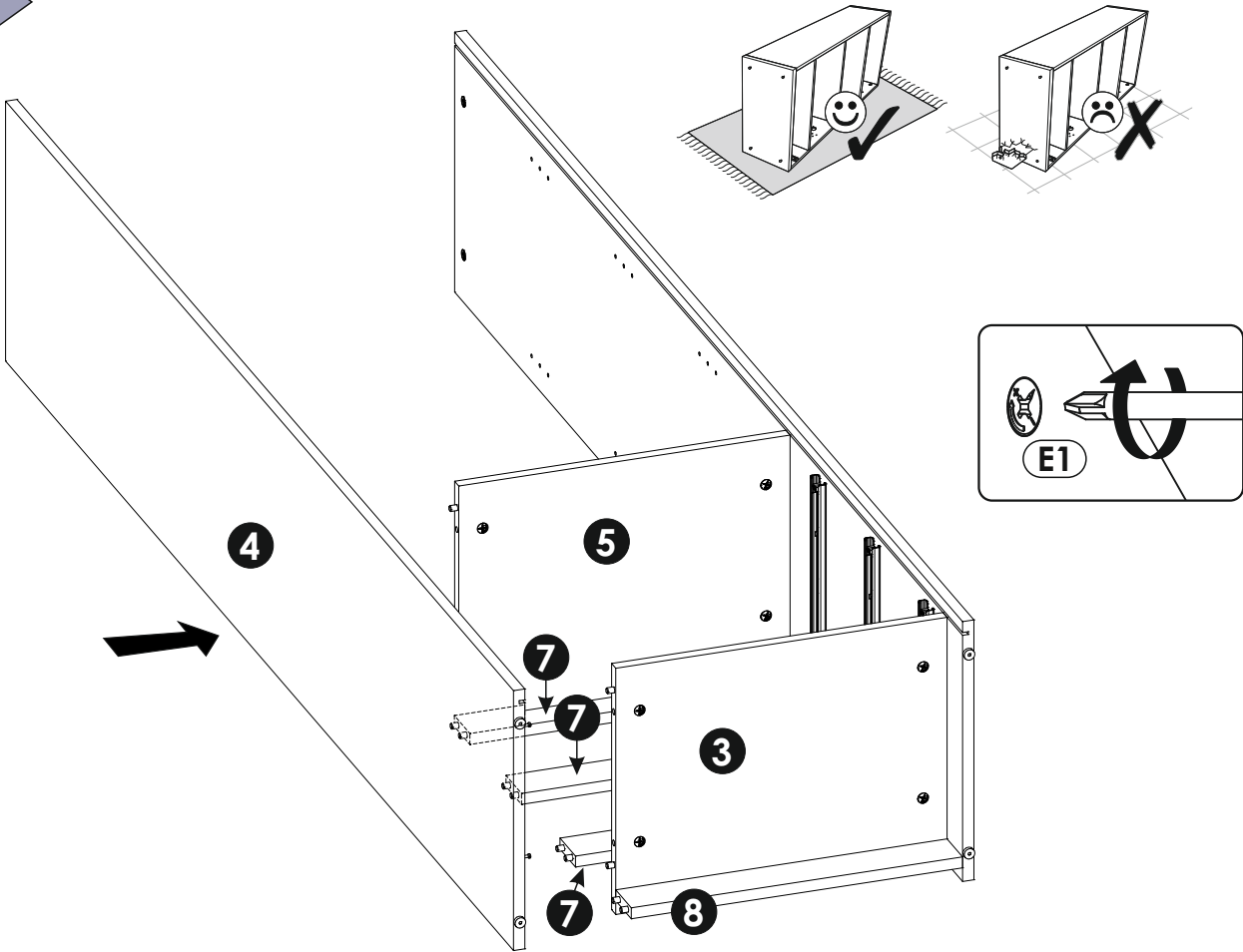
6 ▶



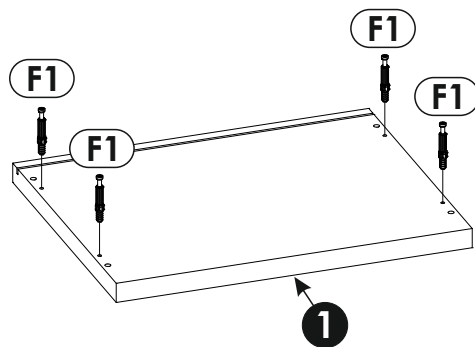
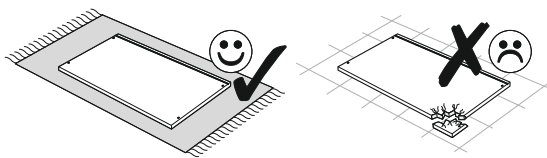
7 ▶



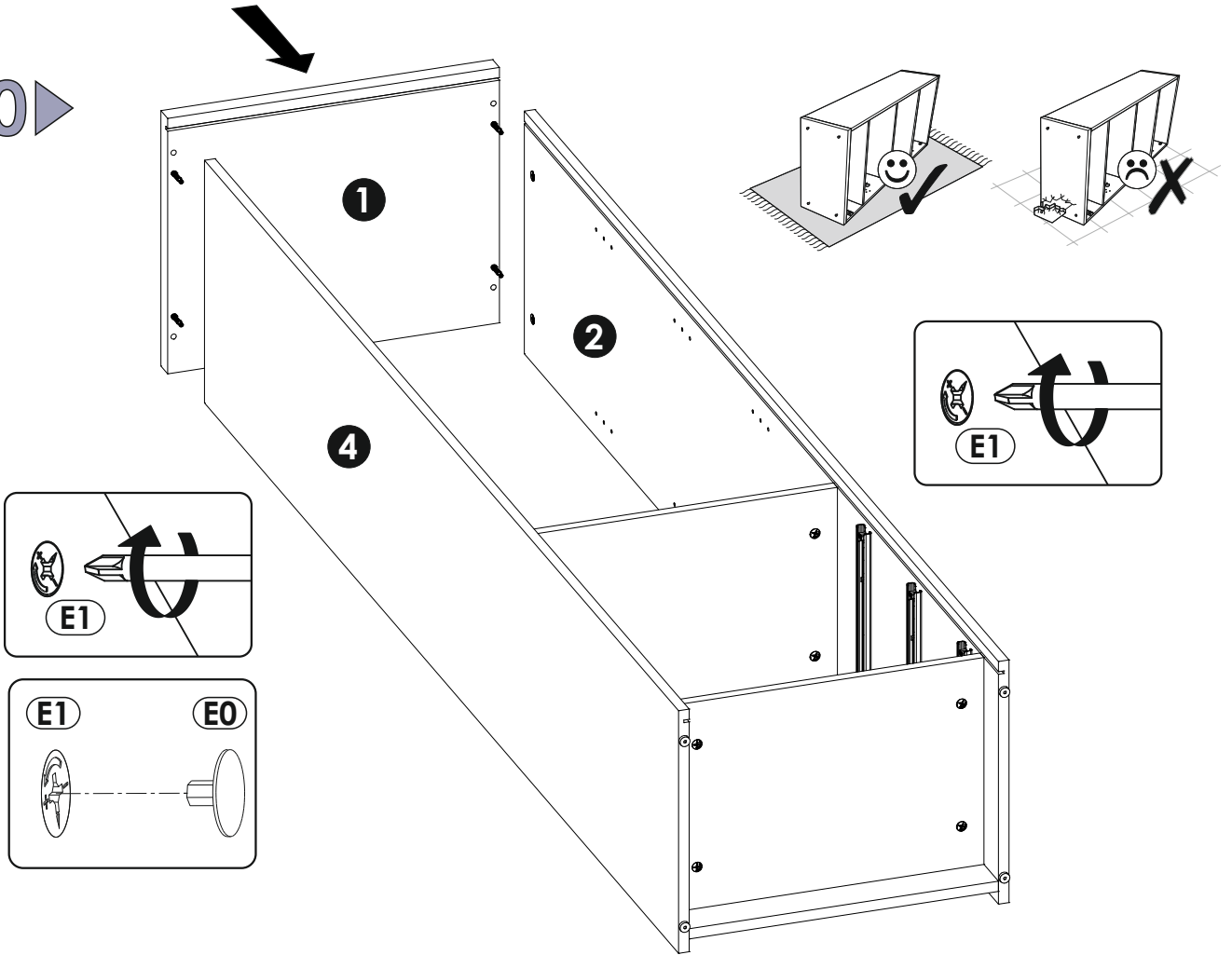
8 ▶



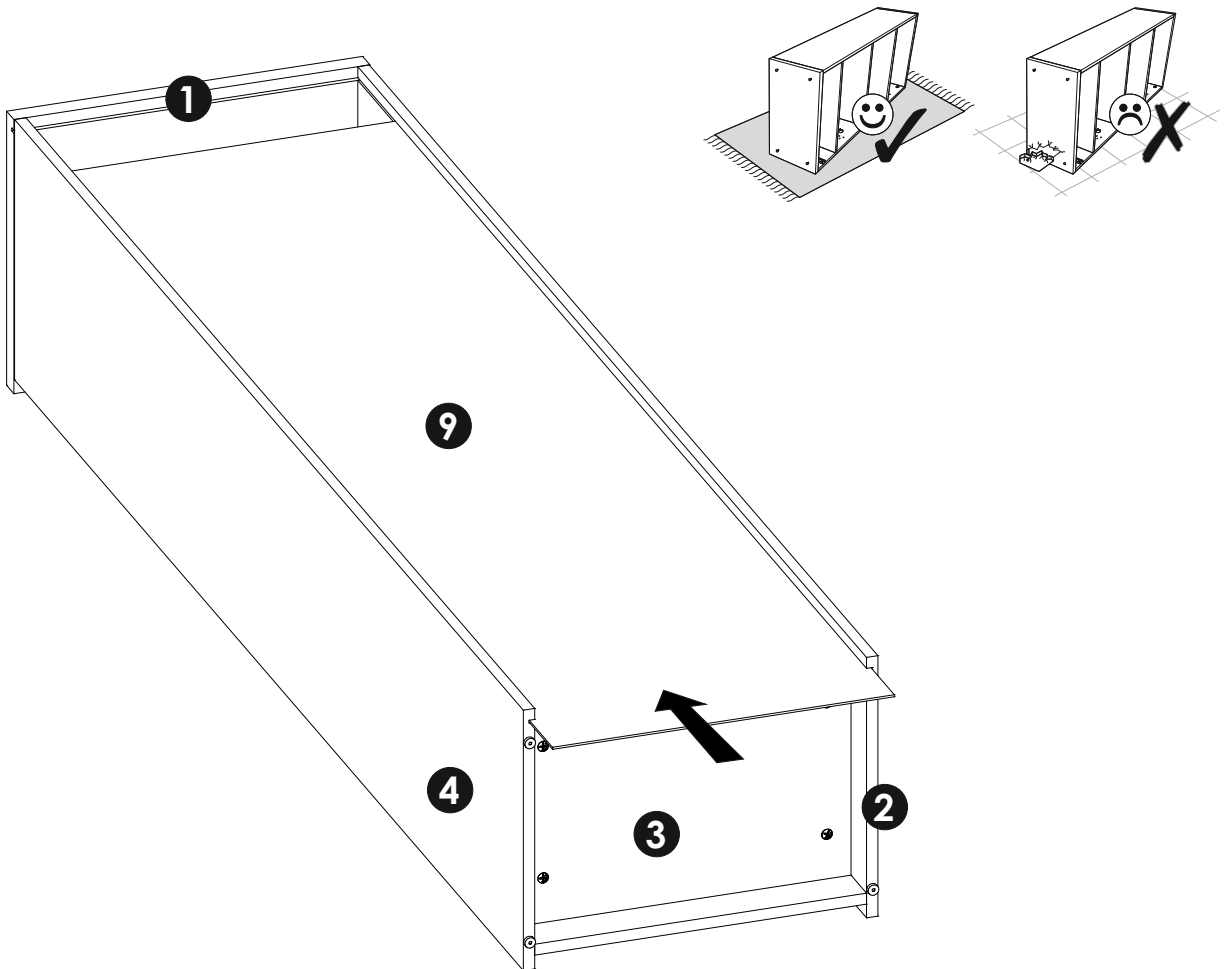
9 ▶



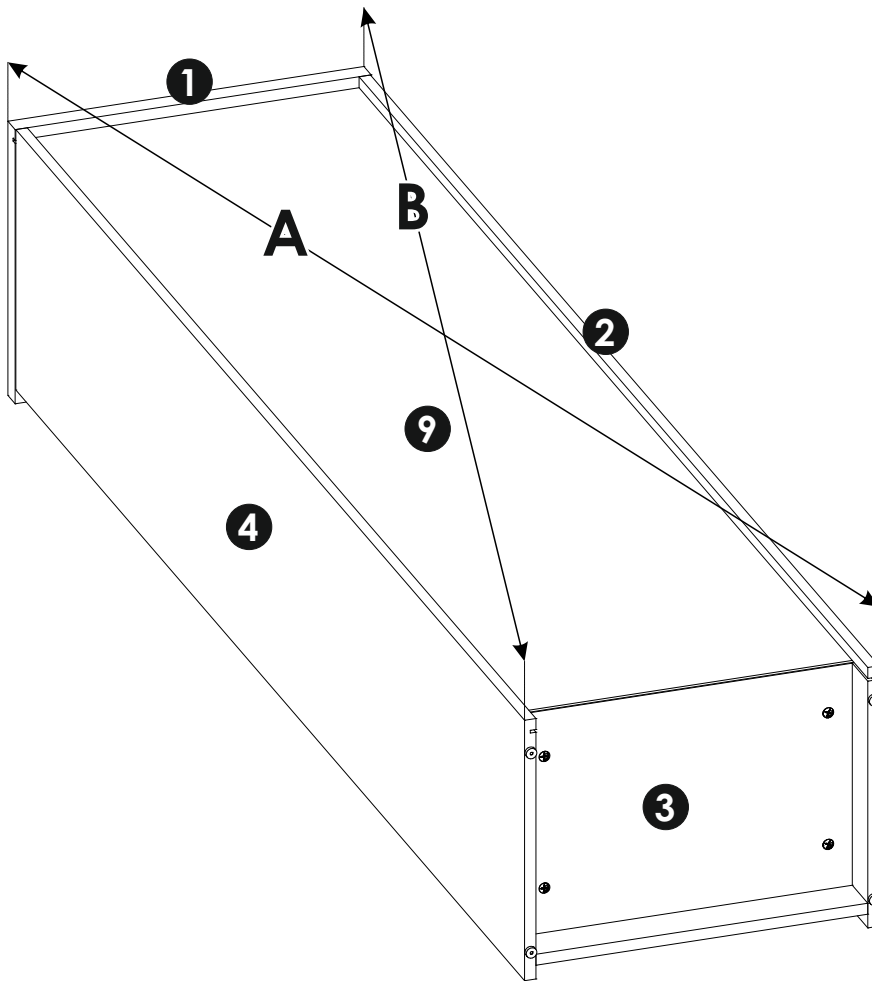
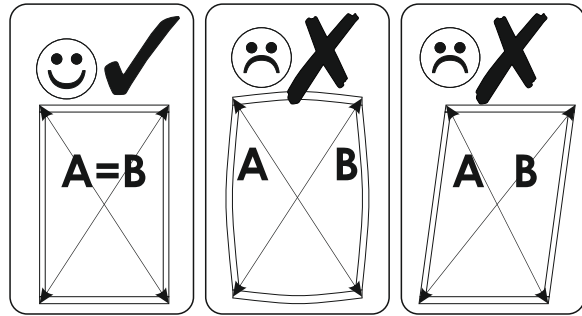
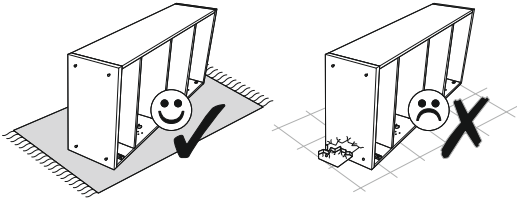
10 ▶



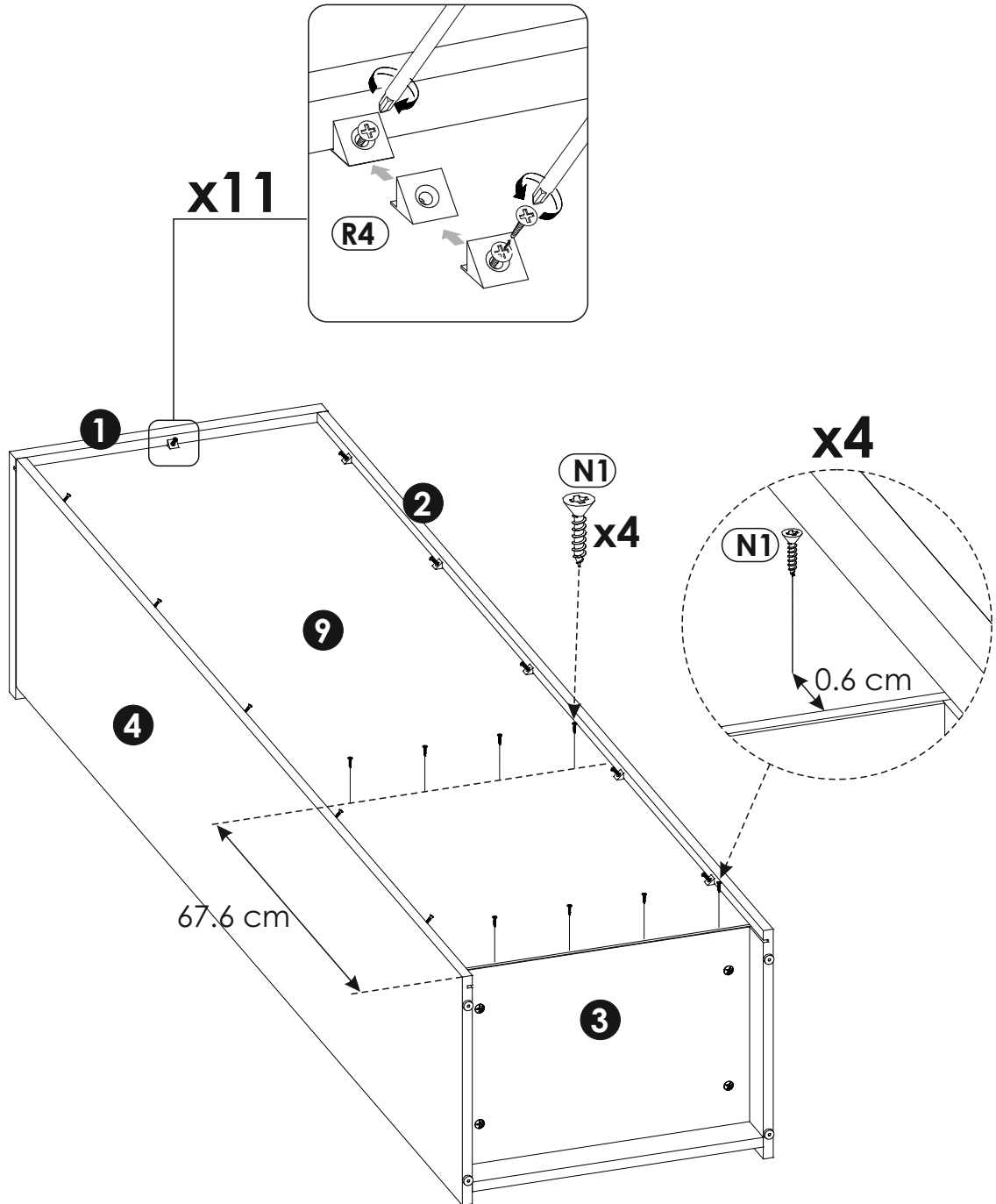
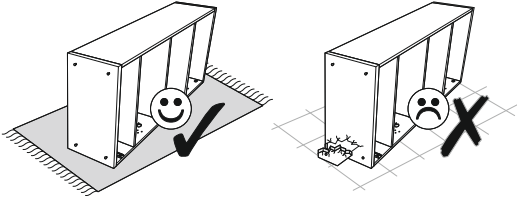
11 ▶



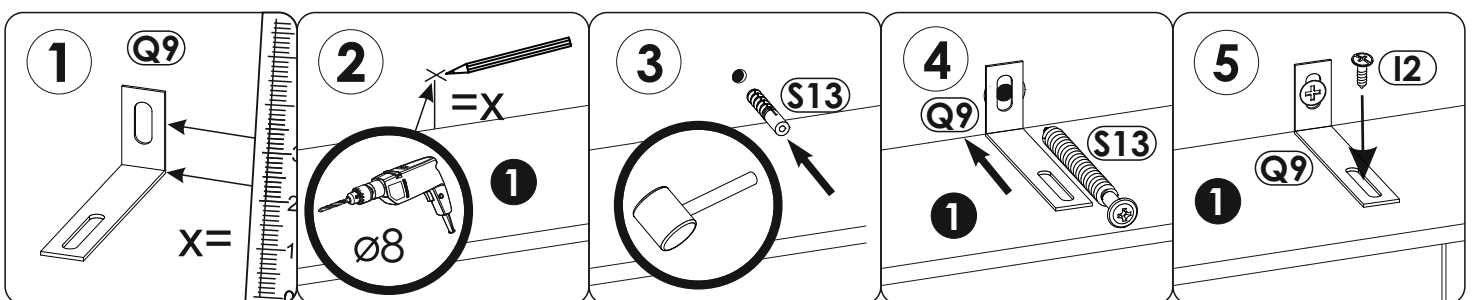
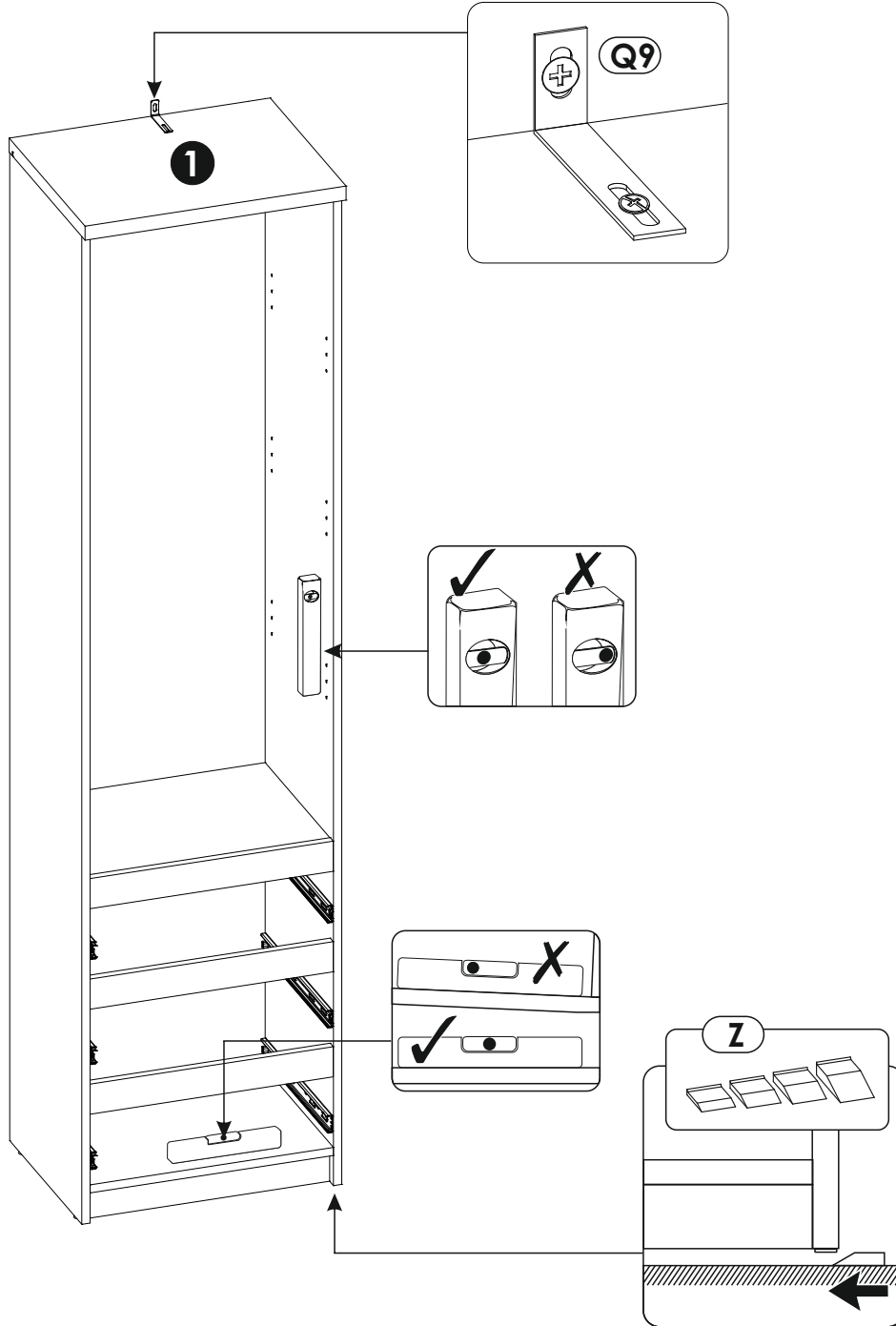
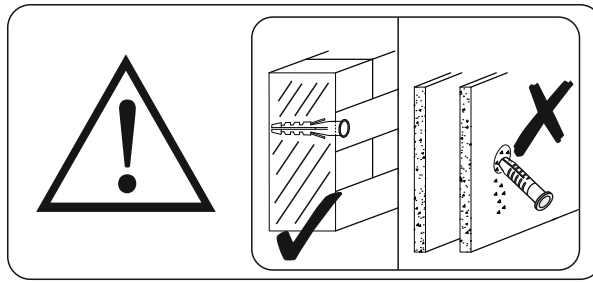
12▶



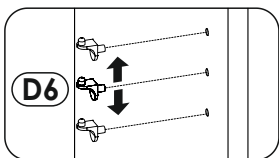
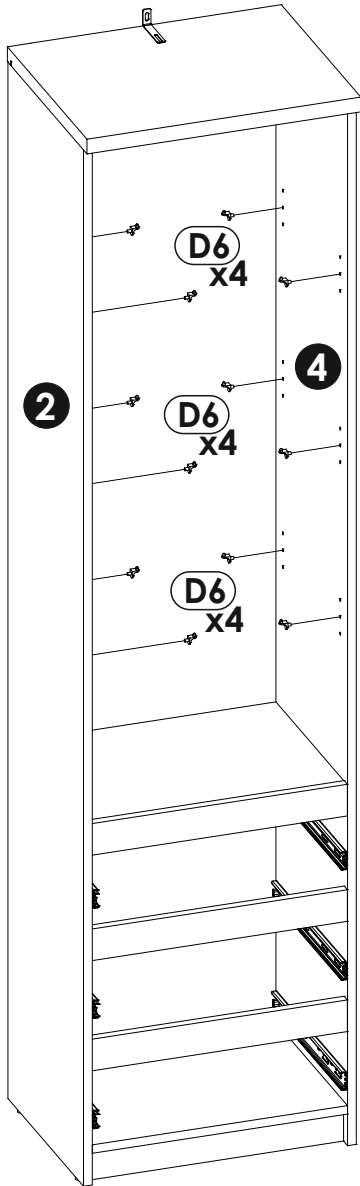
13▶



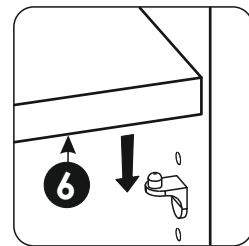
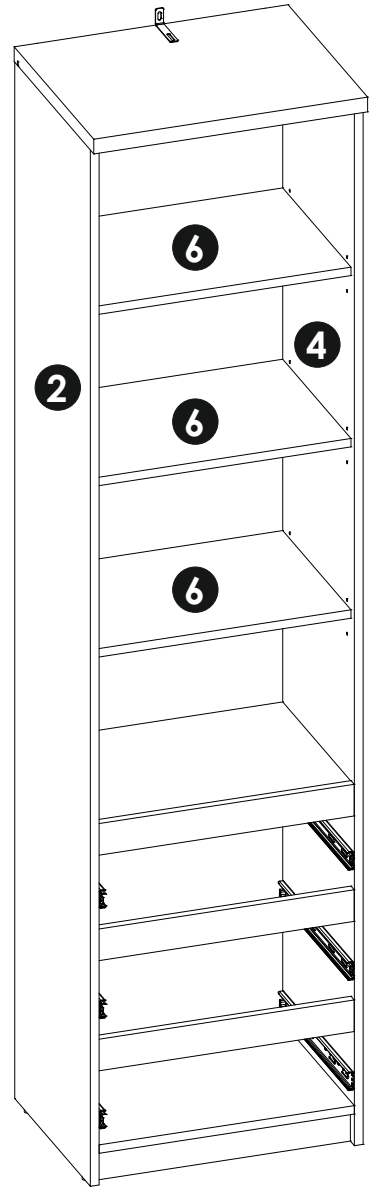
14 ▶



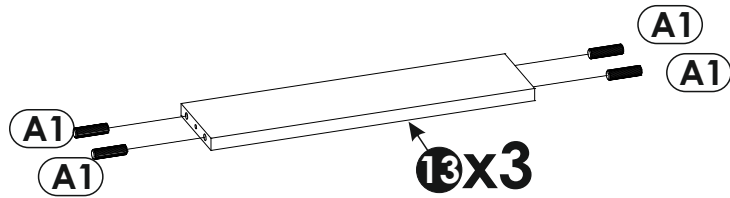
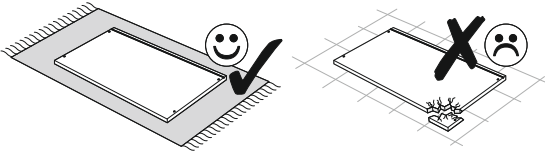
15▶



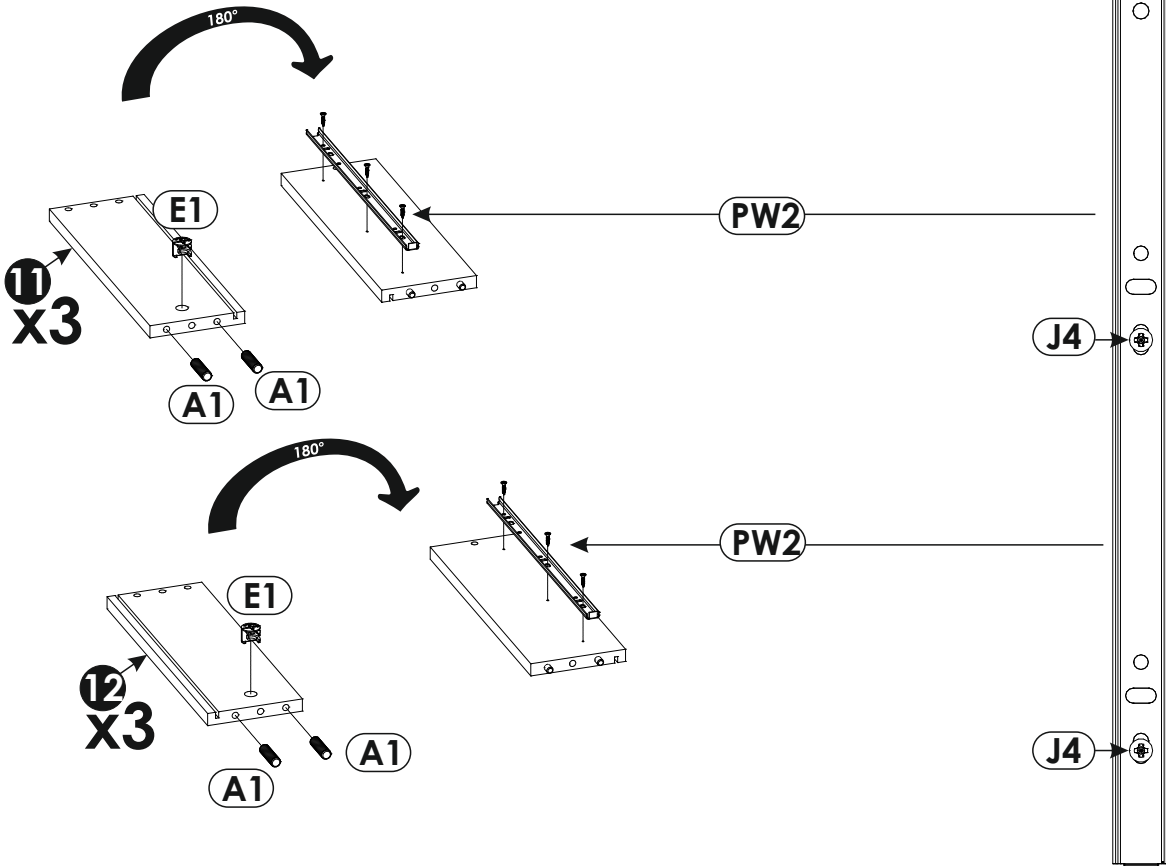
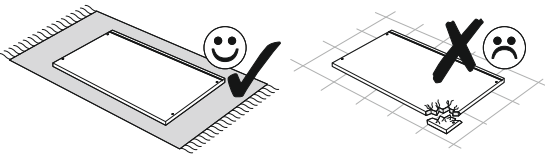
16▶



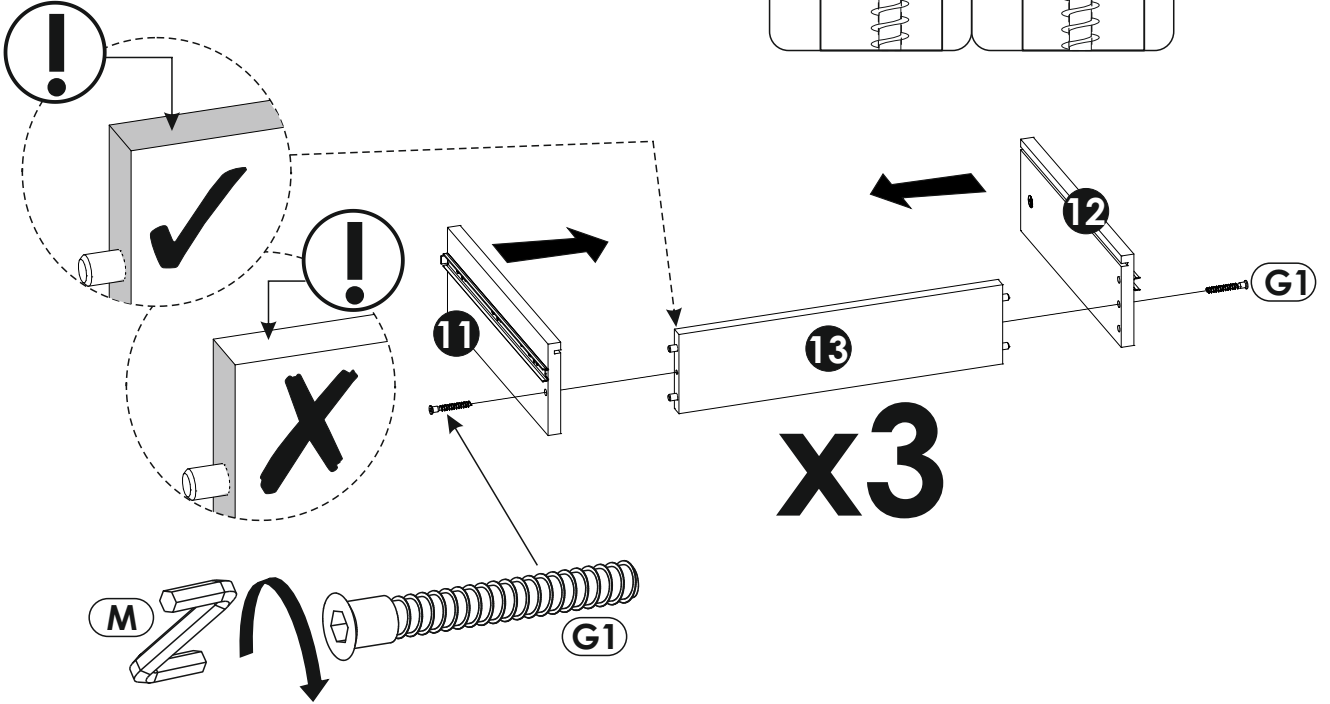
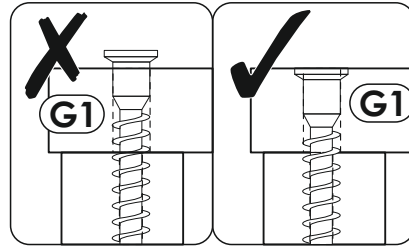
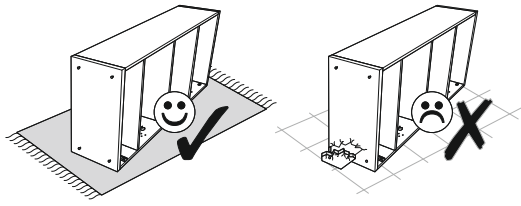
17▶



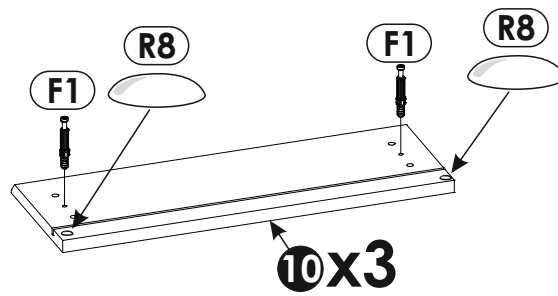
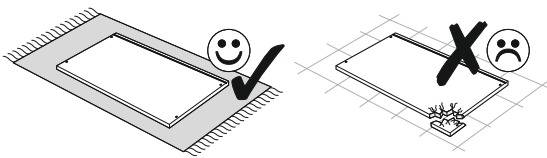
18▶



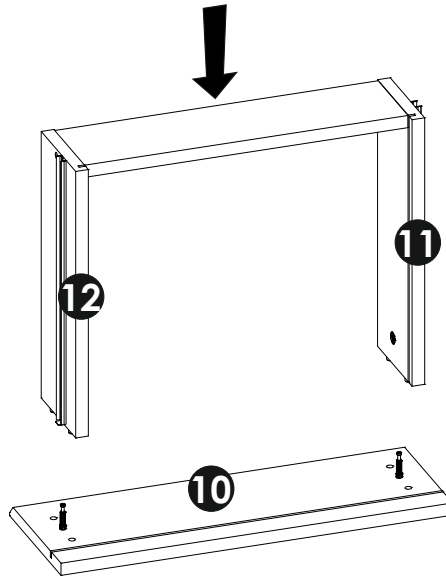
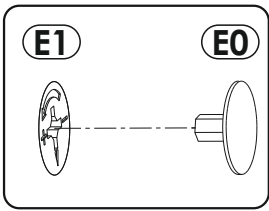
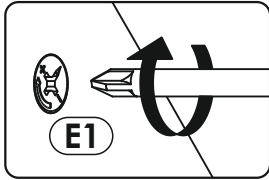
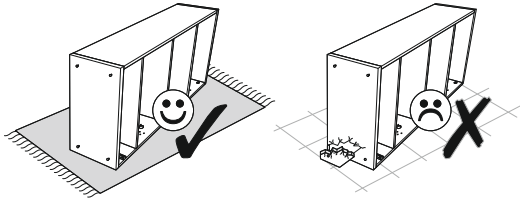
19▶



20▶

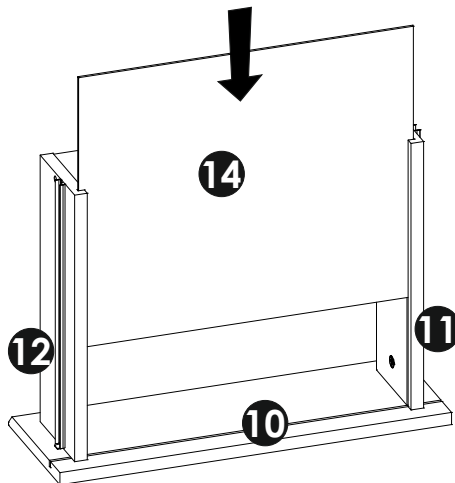
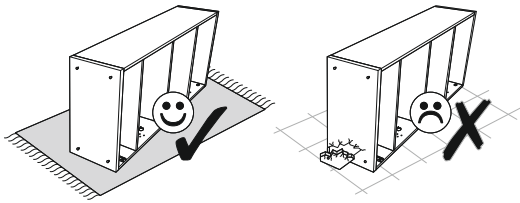


21▶

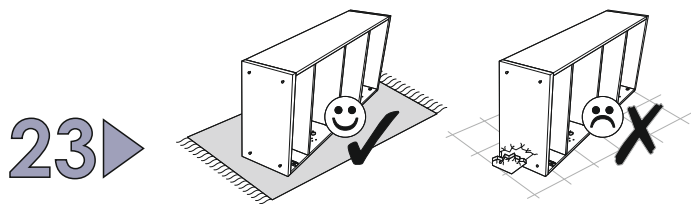


x3

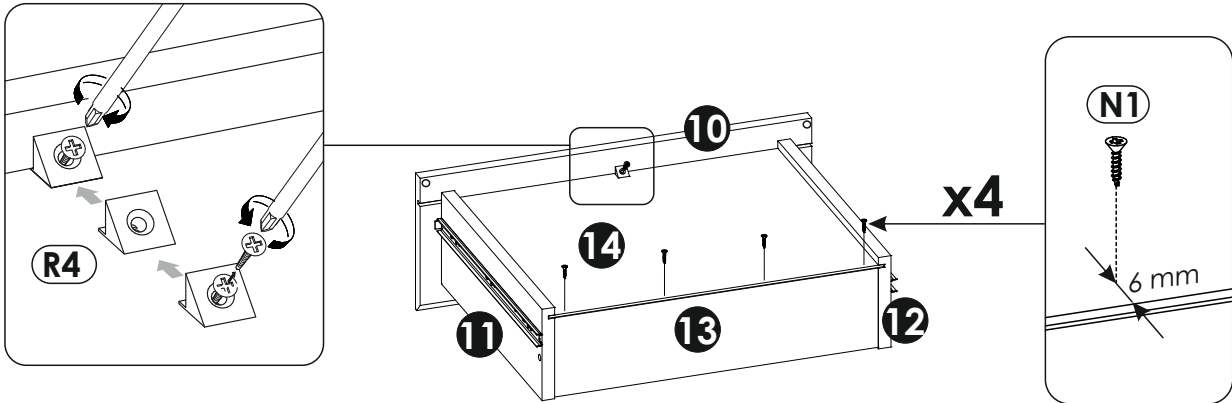
22▶



x3



x3



24 ▶

