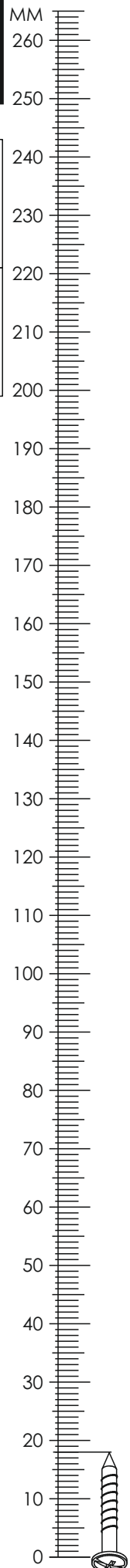
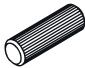
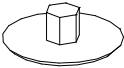

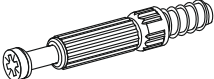
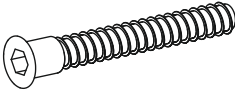
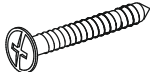
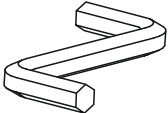
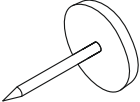
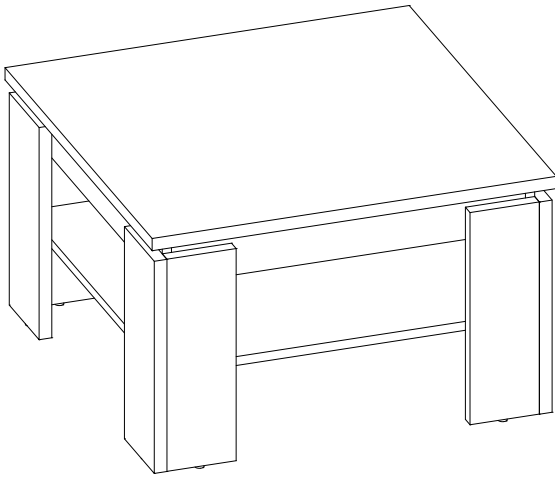


RVT25

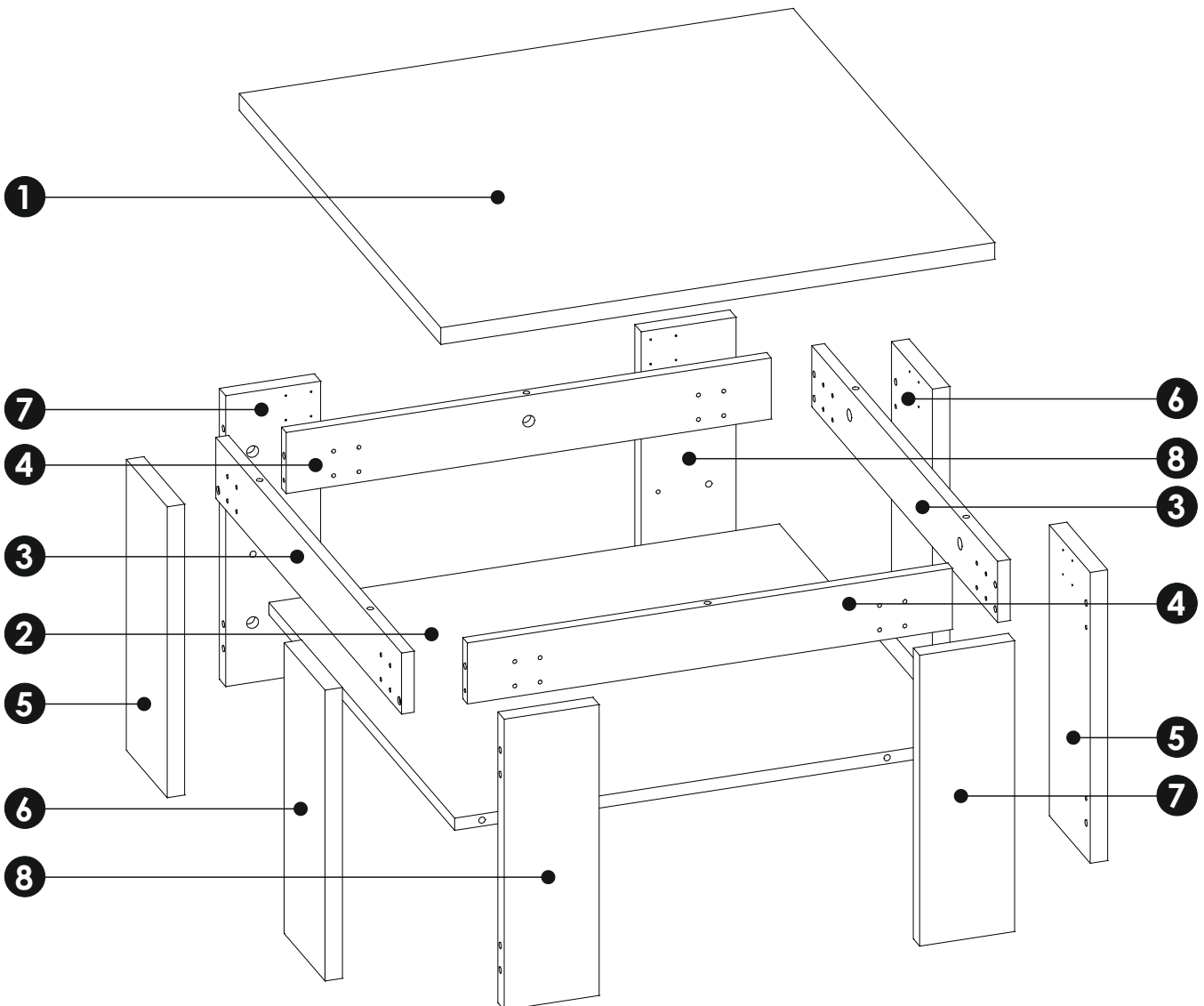


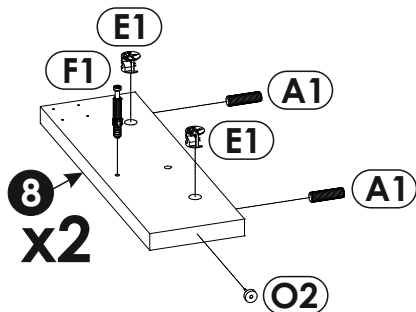
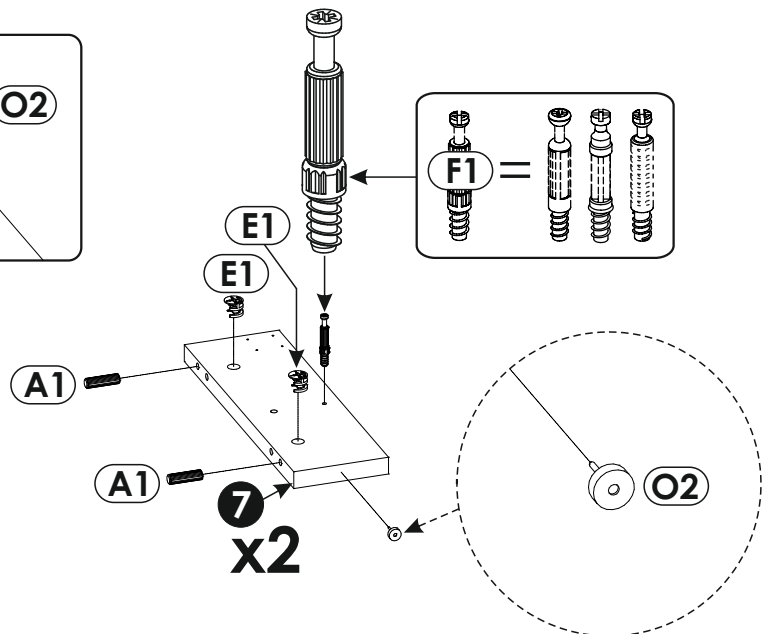
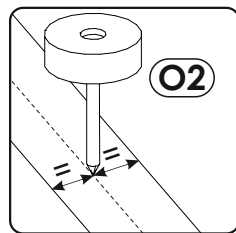
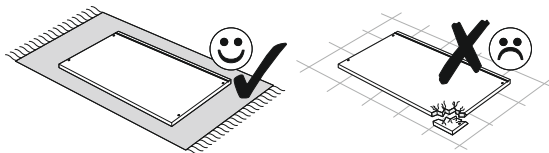
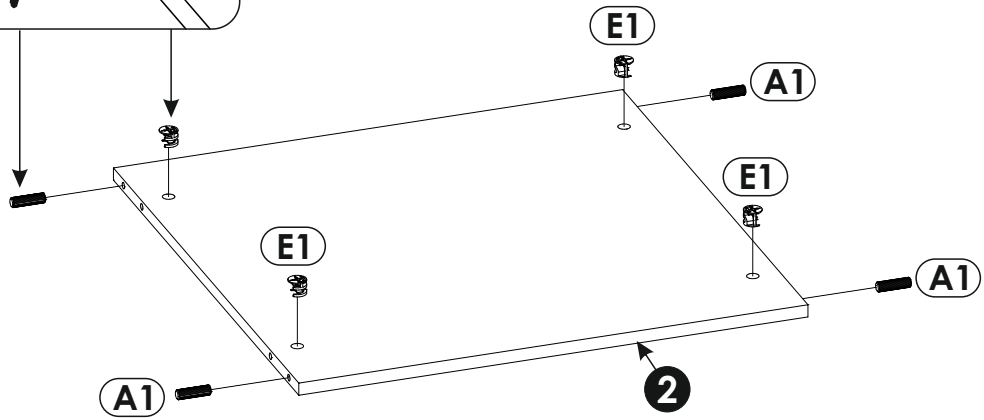
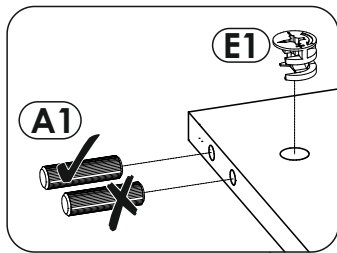
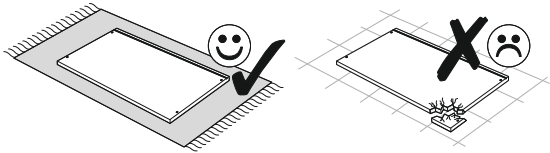
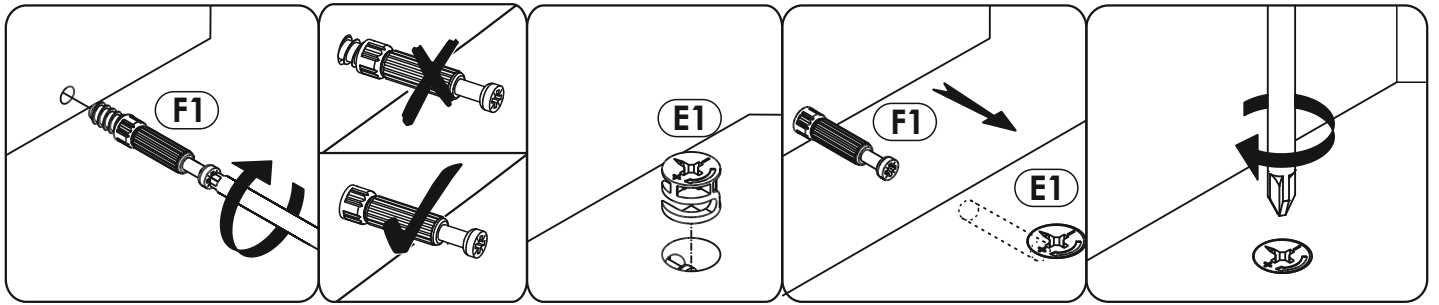
A1 8 x 35 mm x16 	E0 Ø16 x18 	E1 15 x 12 mm x18 
F1 6 x 34 mm x18 	G1 7 x 50 mm x4 	I13 4 x 35 mm x32 
M x1 	O2 x8 	

RVT25

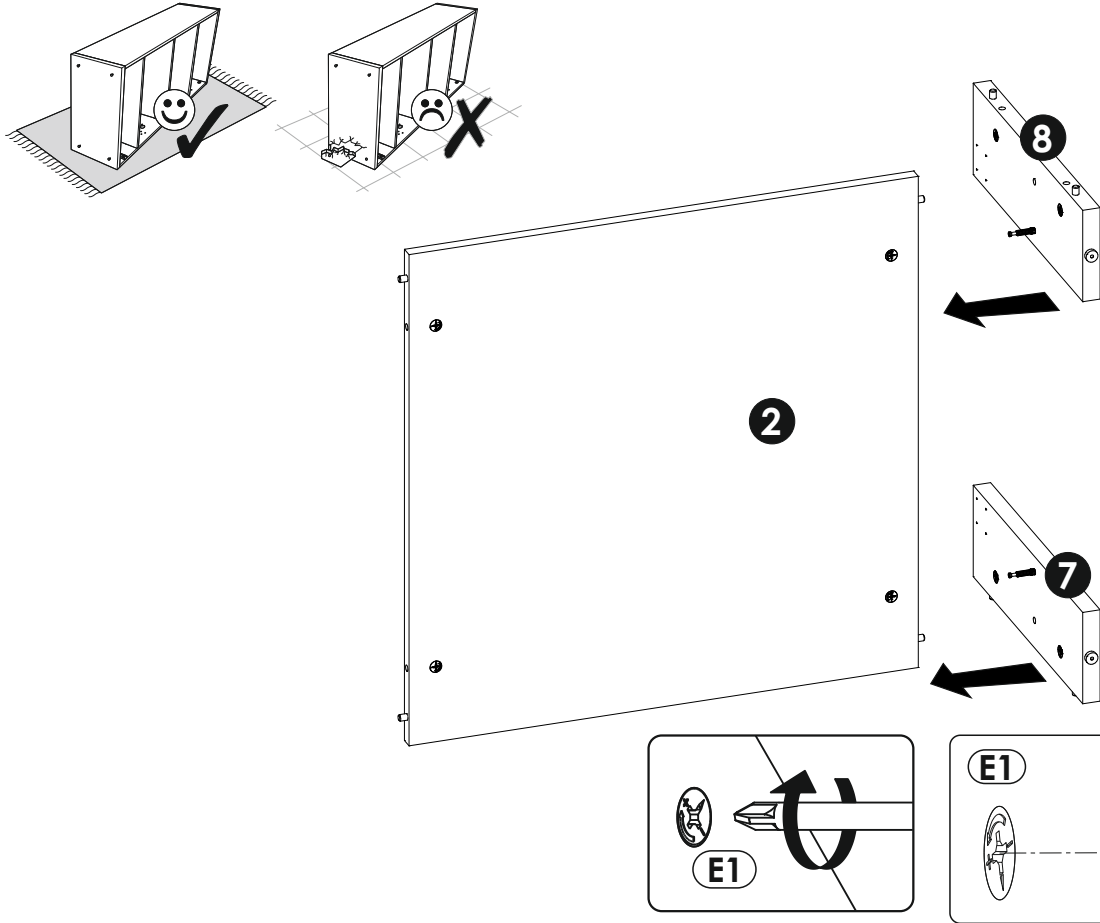


1	700	700	22	x1	1/1
2	645	645	16	x1	1/1
3	645	80	16	x2	1/1
4	613	80	16	x2	1/1
5	381	142	22	x2	1/1
6	381	142	22	x2	1/1
7	381	120	22	x2	1/1
8	381	120	22	x2	1/1

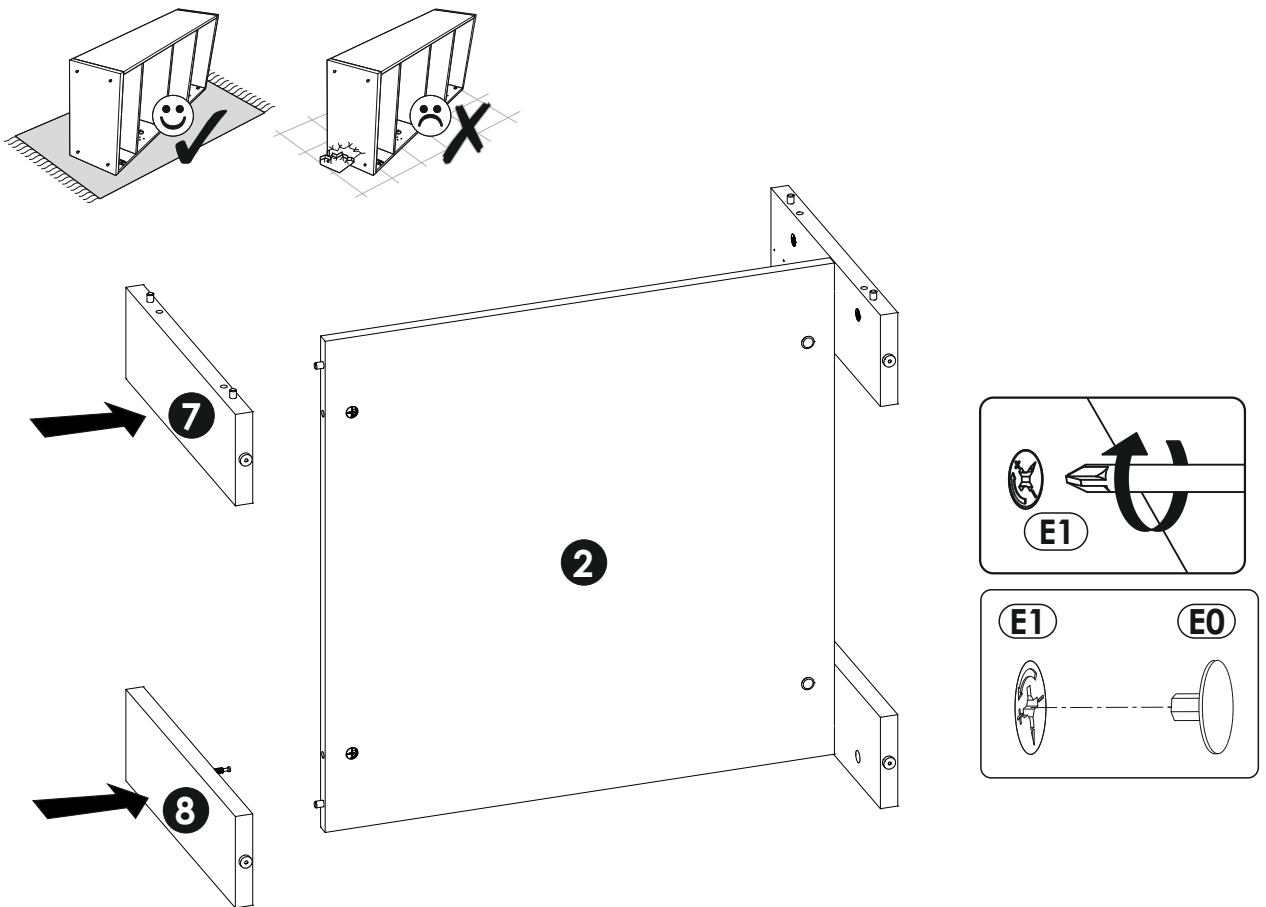




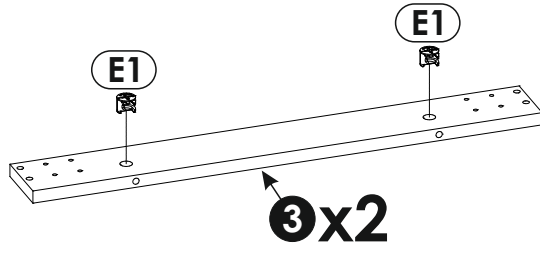
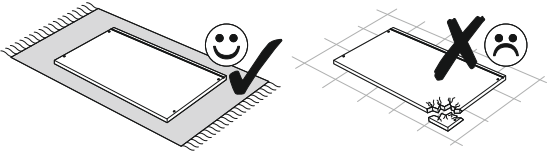
3 ▶



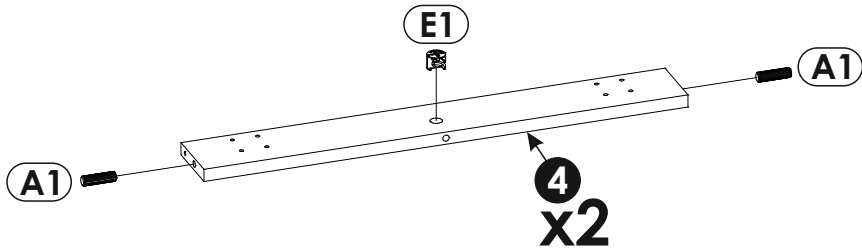
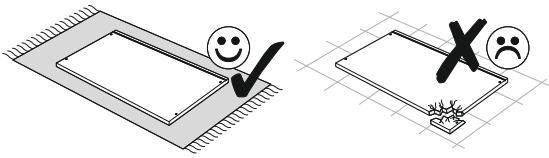
4 ▶



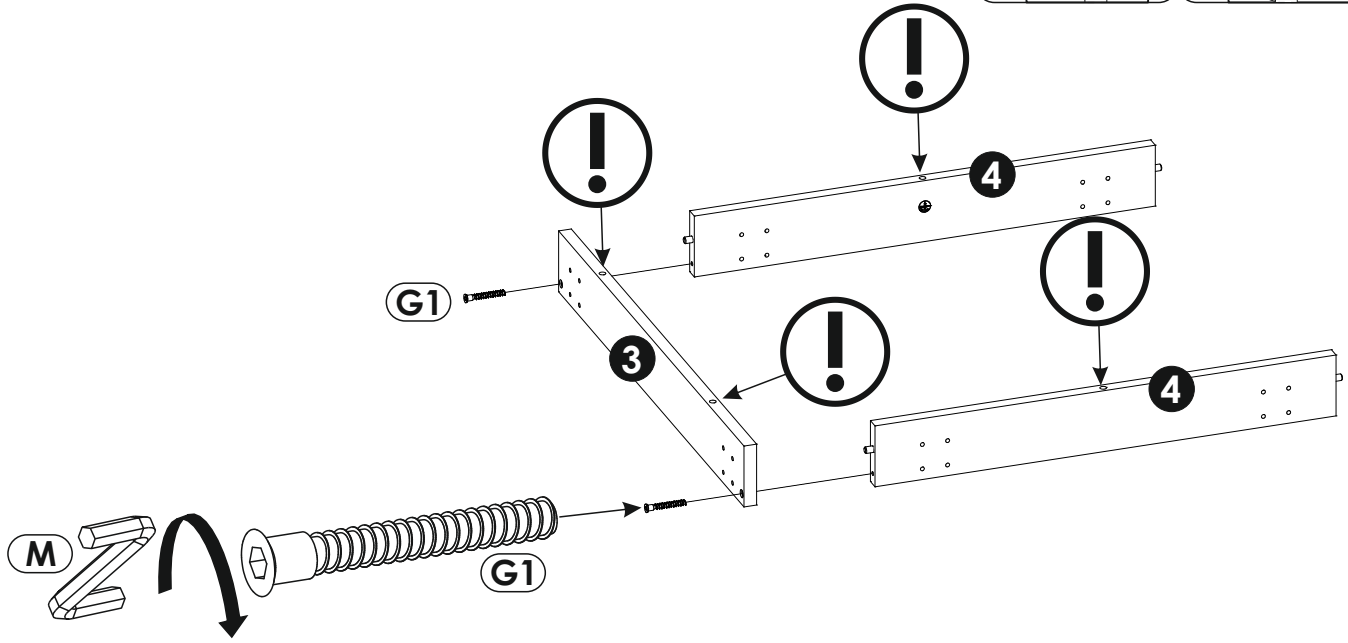
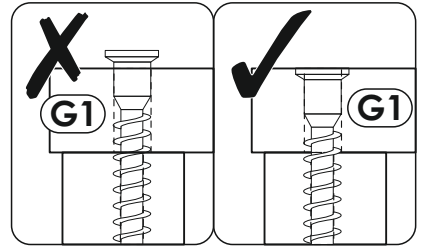
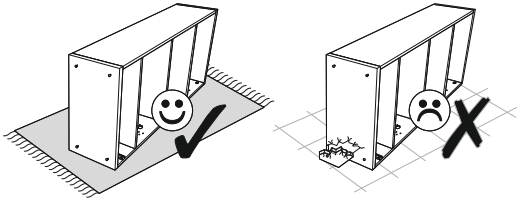
5 ▶



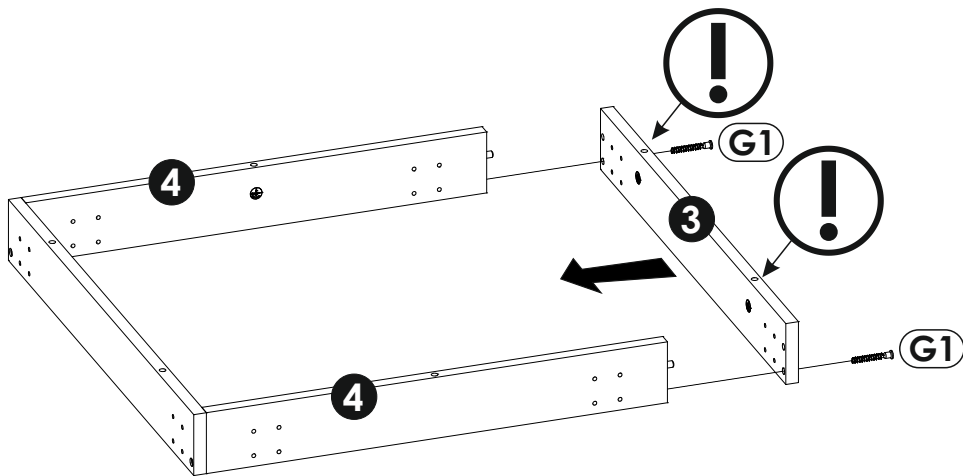
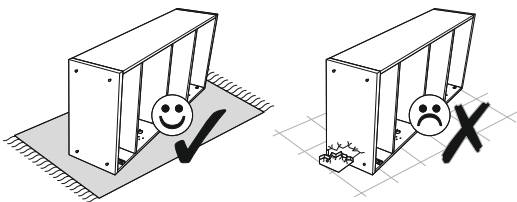
6 ▶



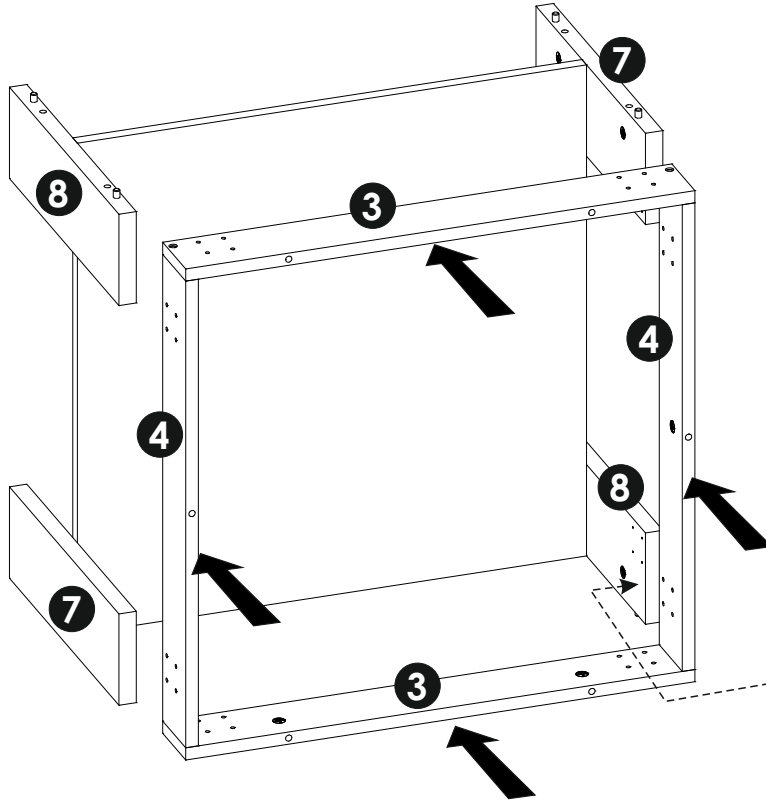
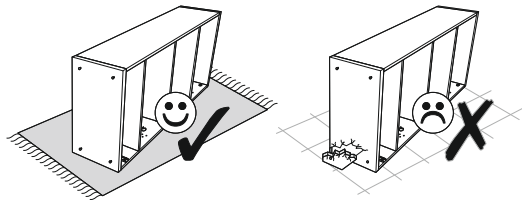
7 ▶



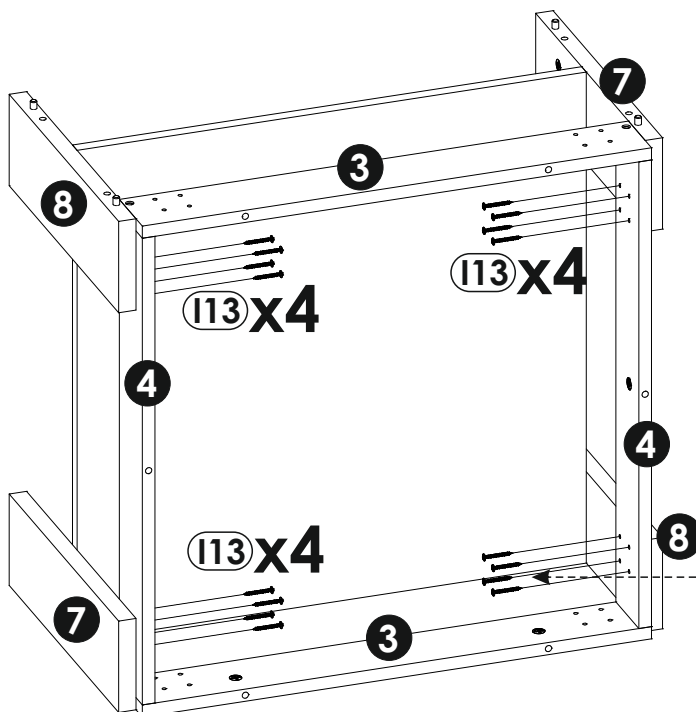
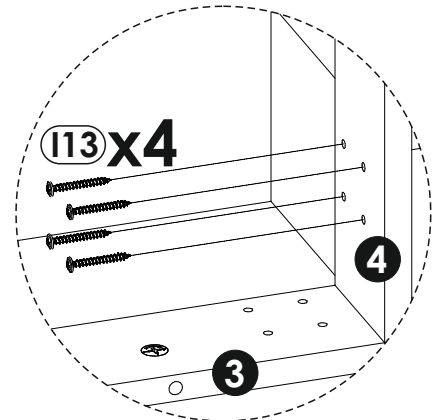
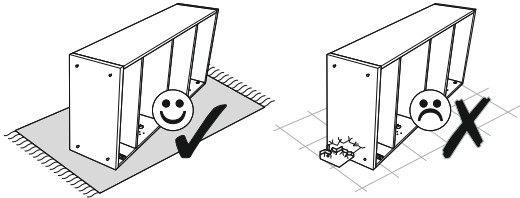
8 ▶



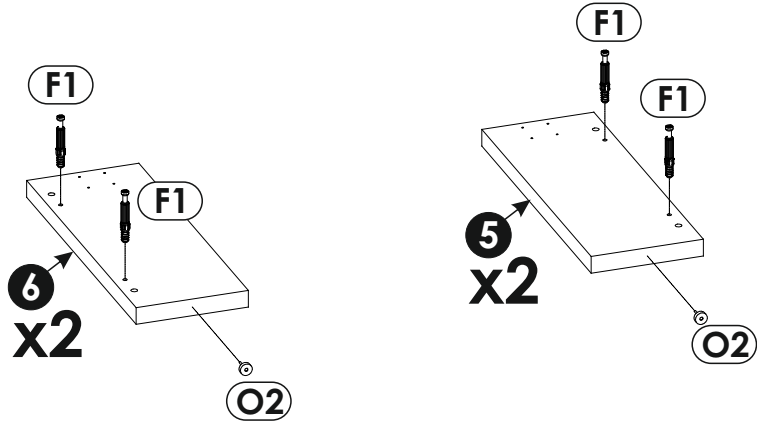
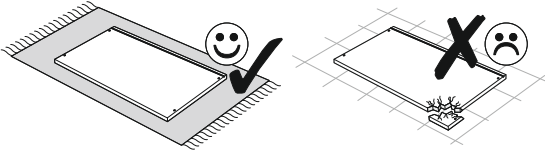
9 ▶



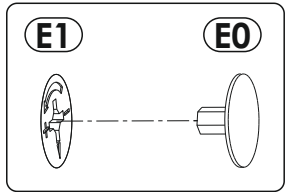
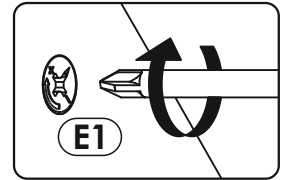
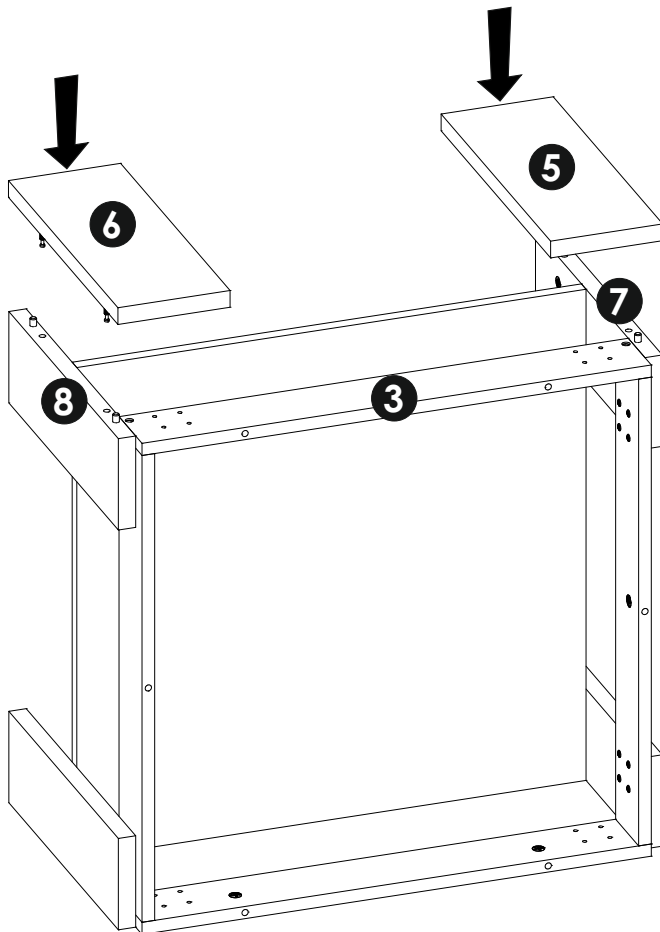
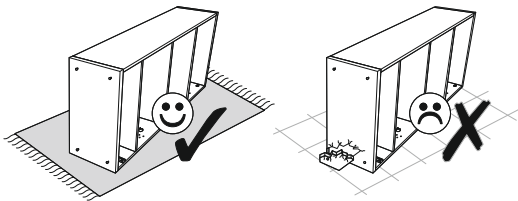
10 ▶



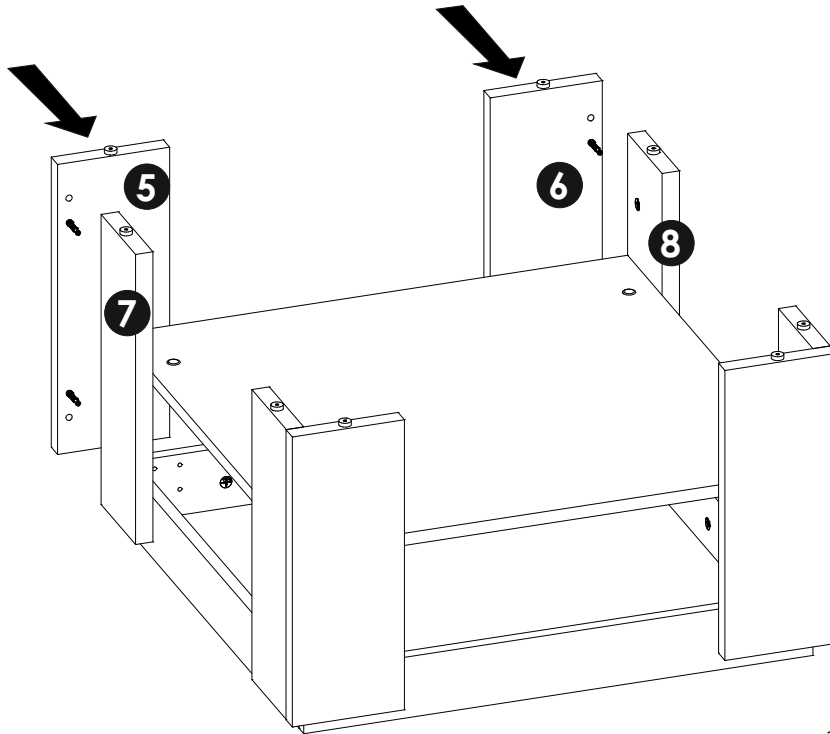
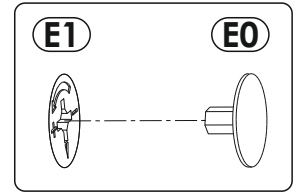
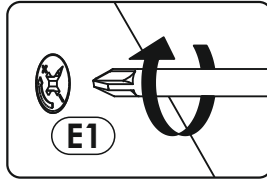
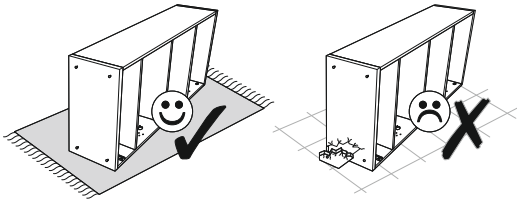
11 ▶



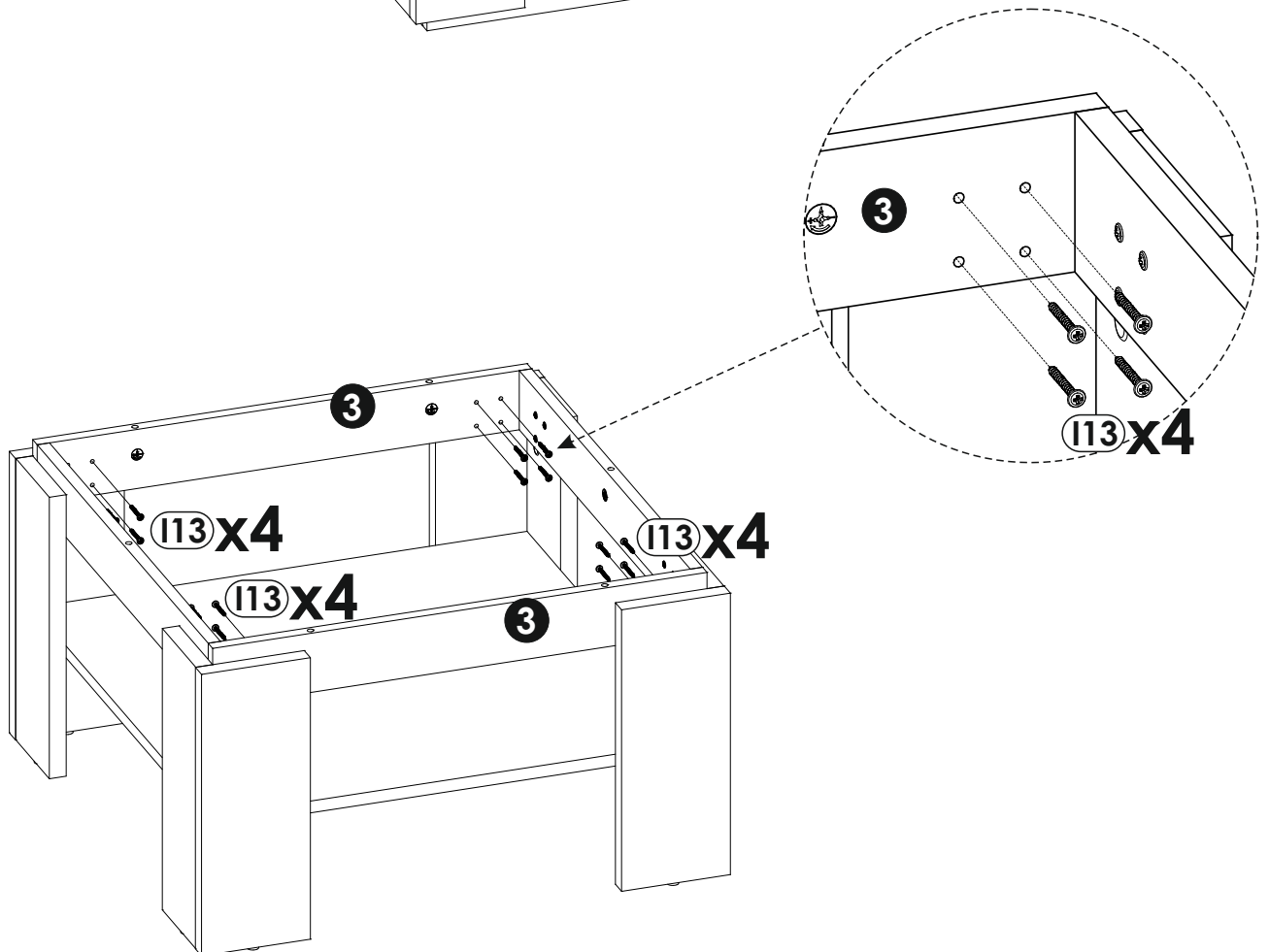
12 ▶



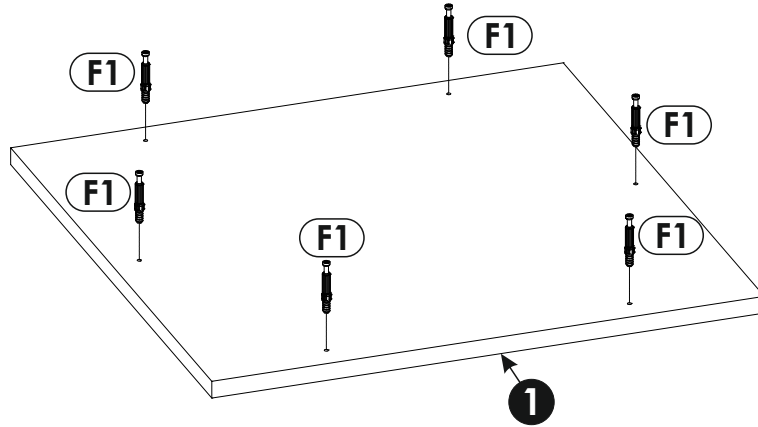
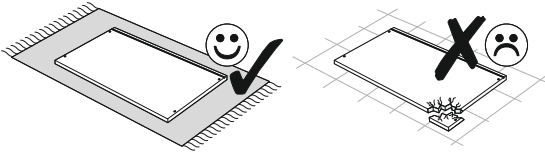
13▶



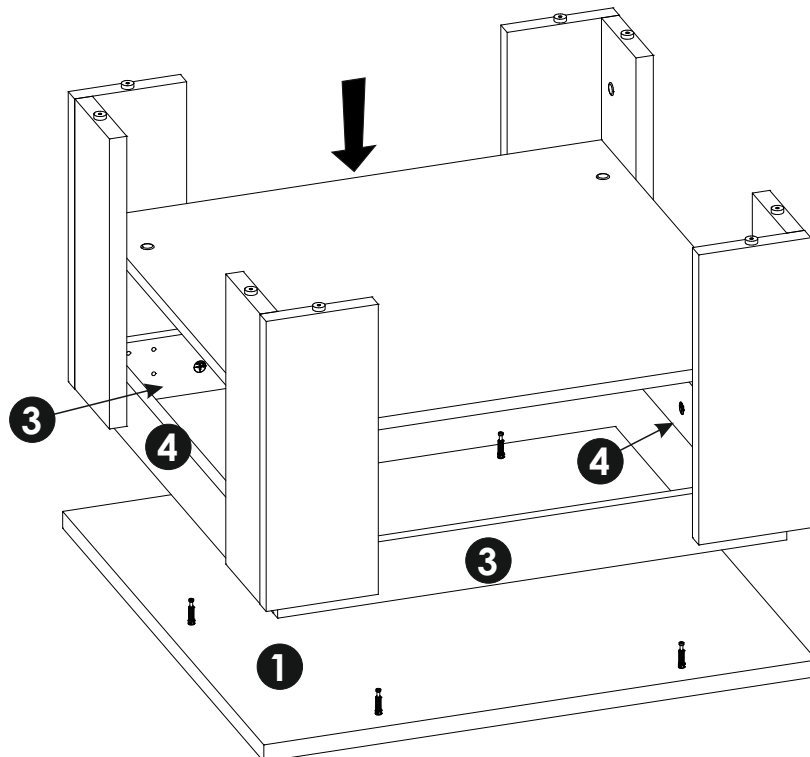
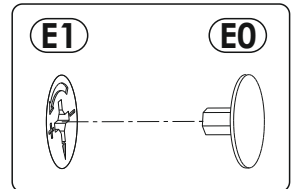
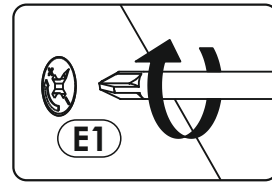
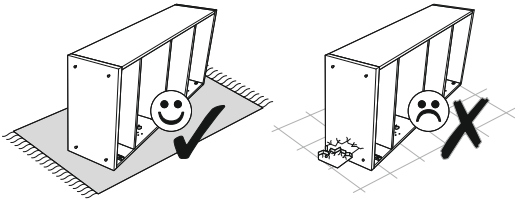
14▶

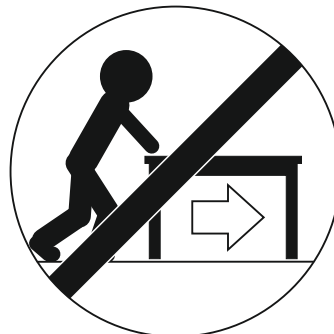
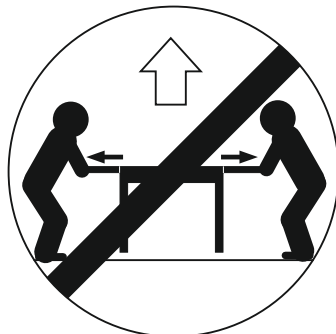
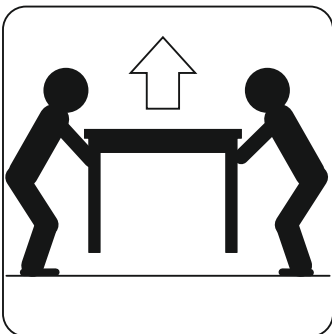
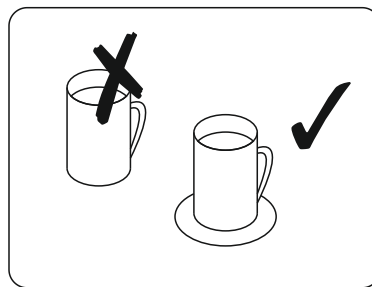
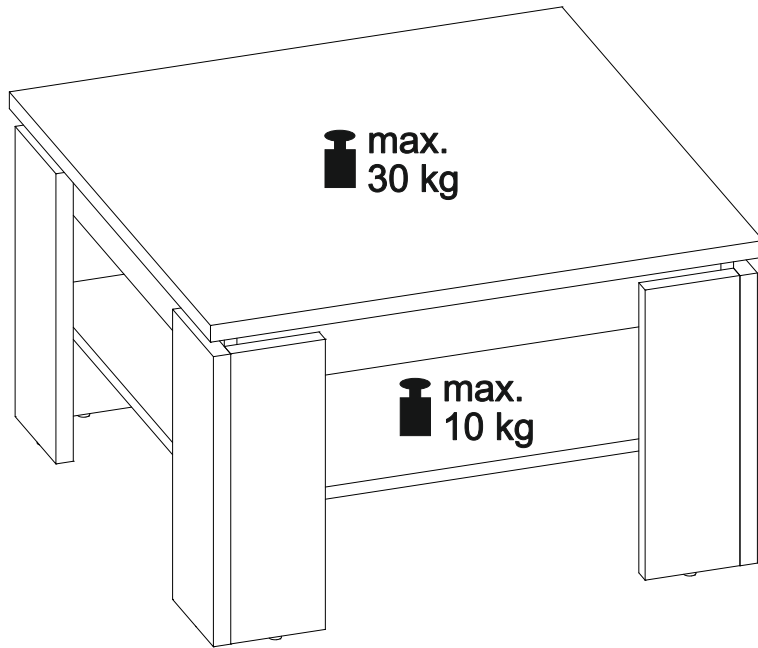


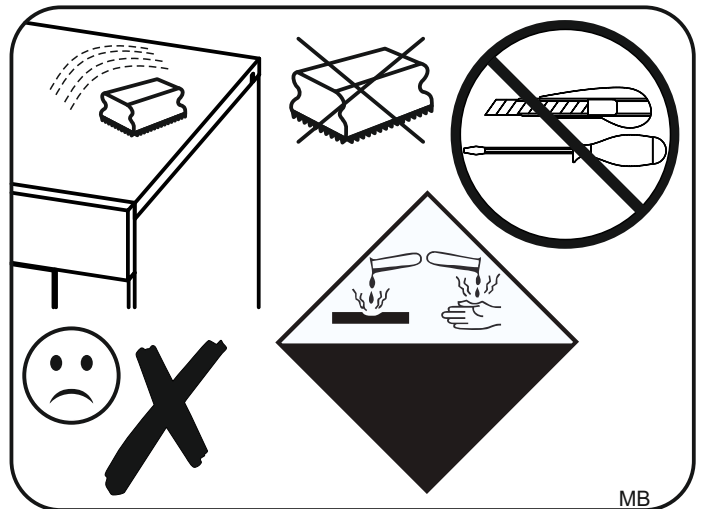
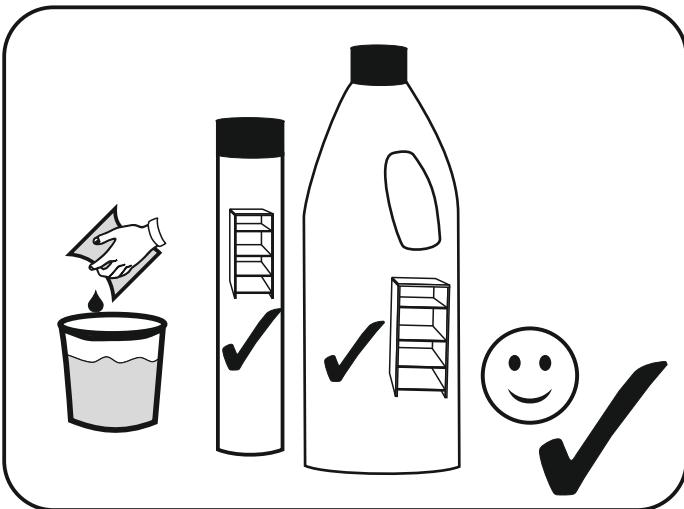
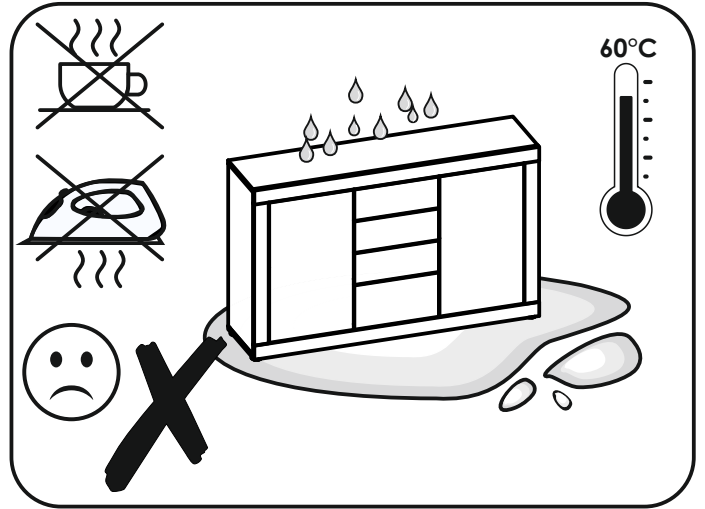
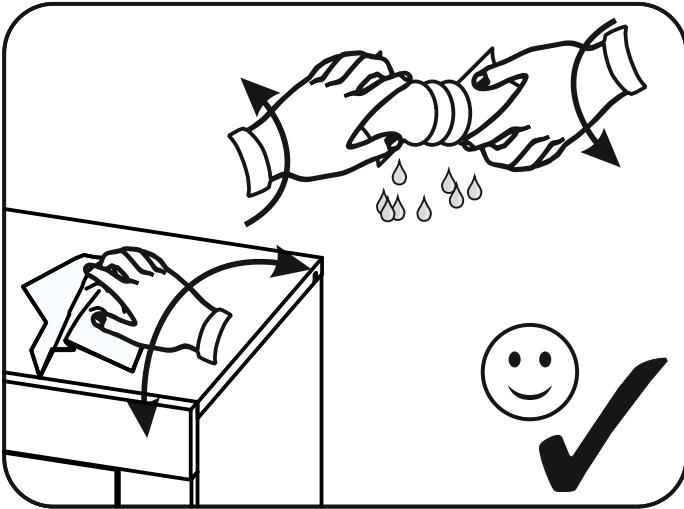
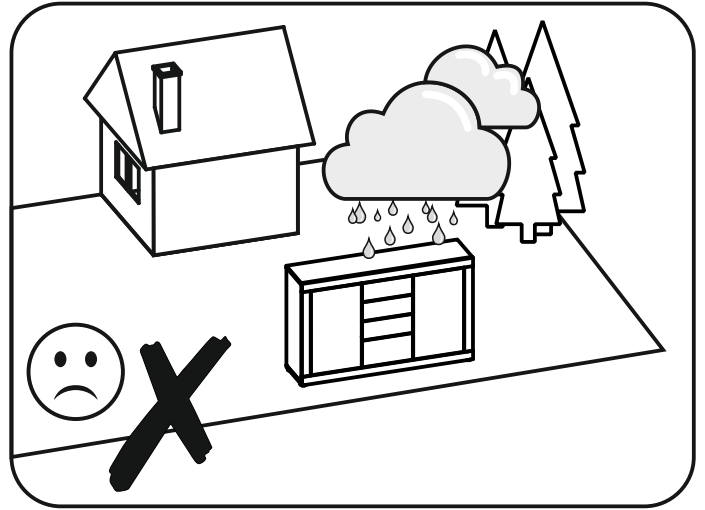
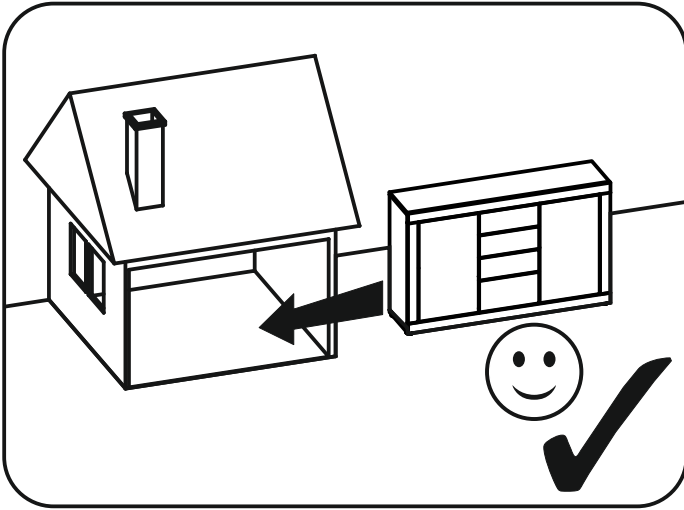
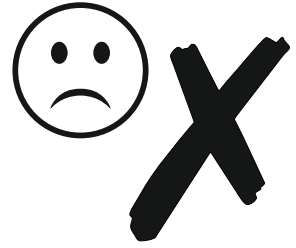
15▶



16▶

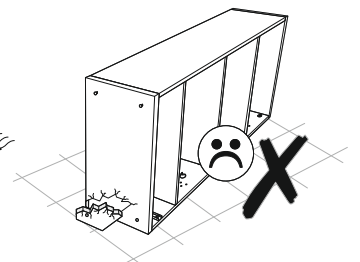
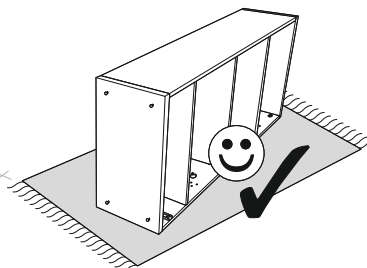
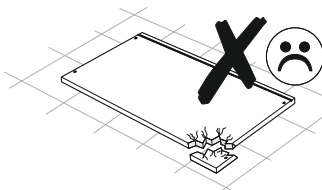
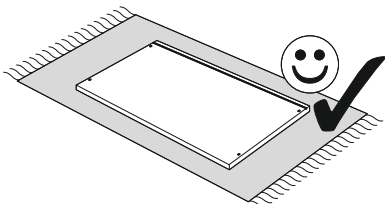
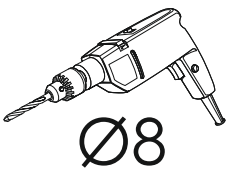
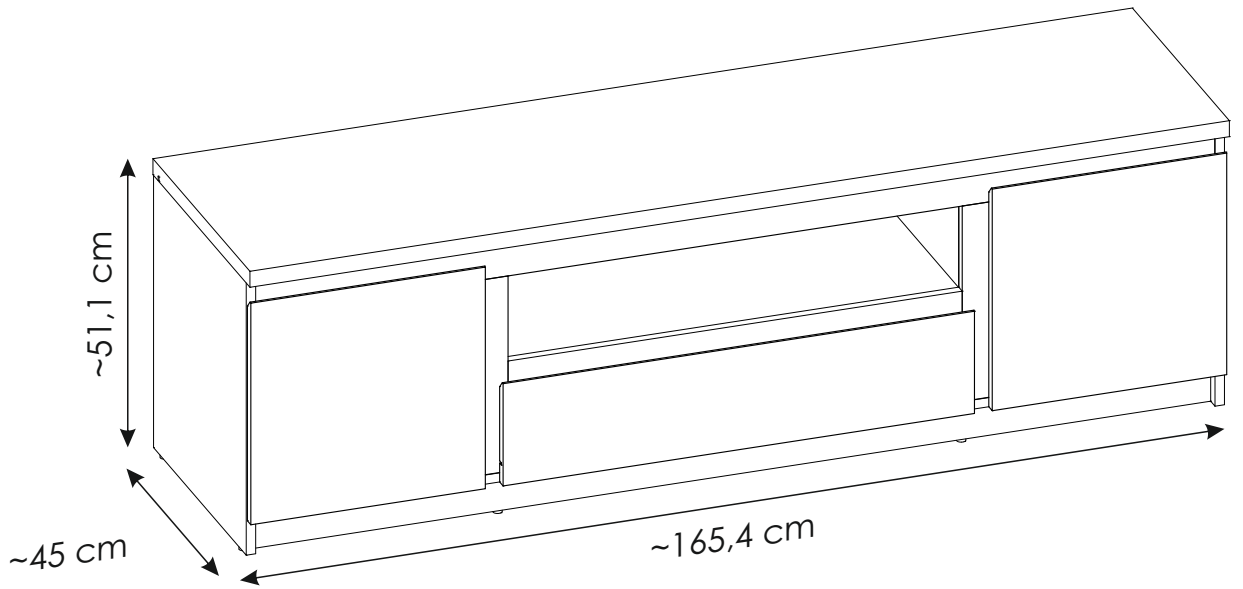
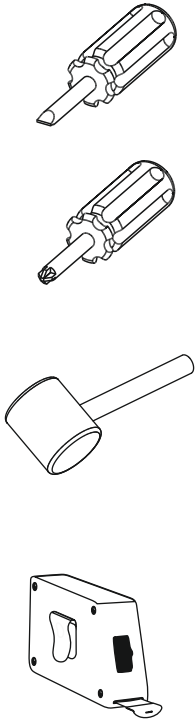


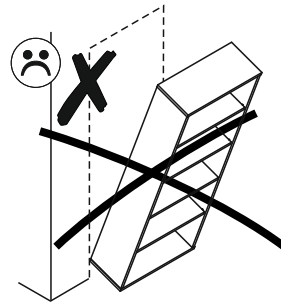
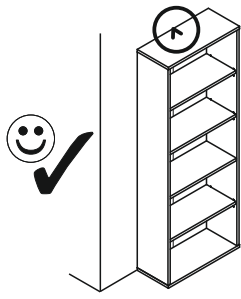


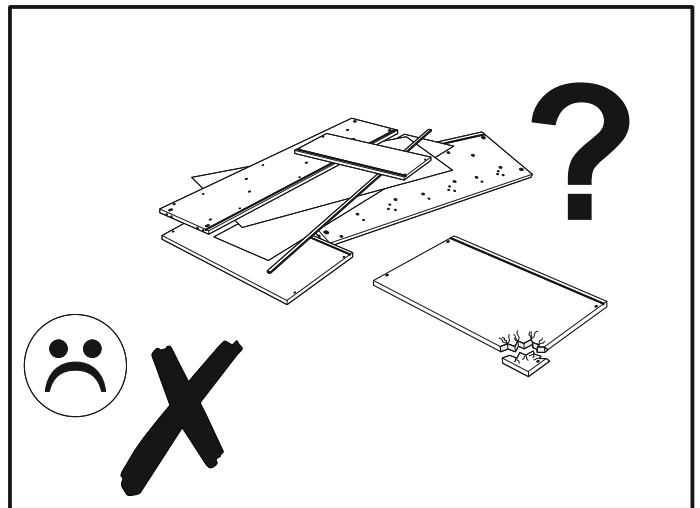
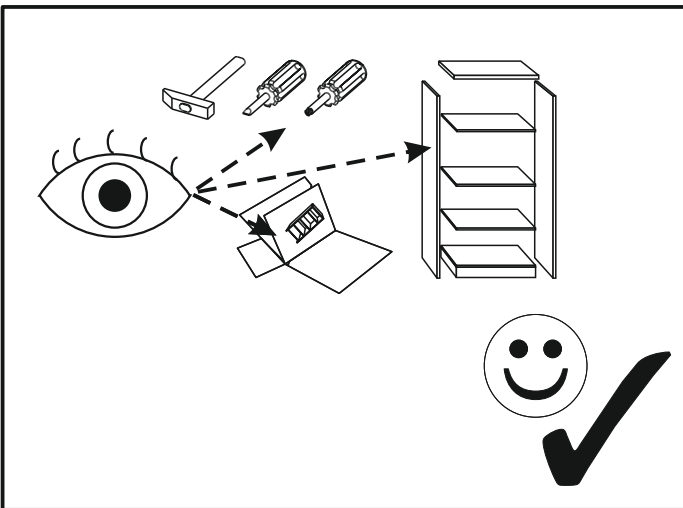
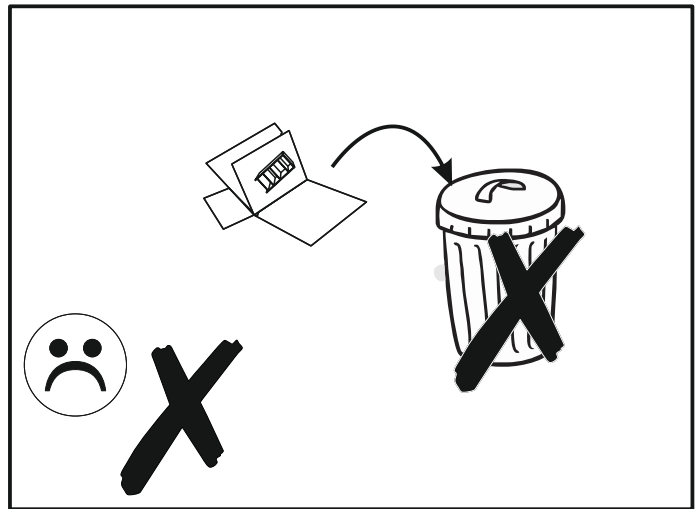
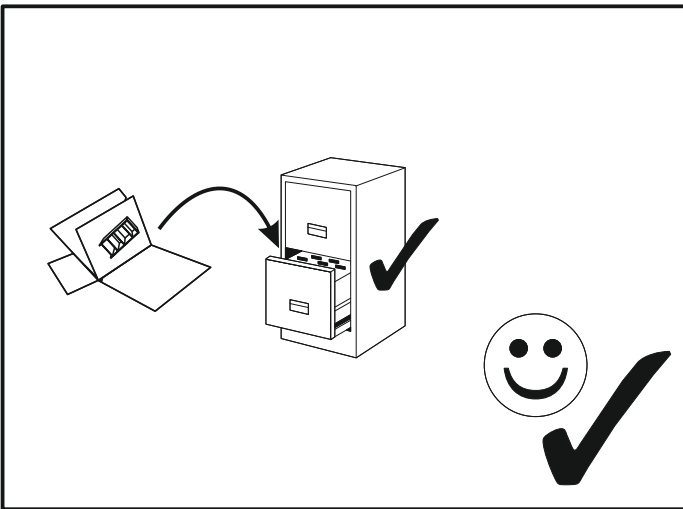
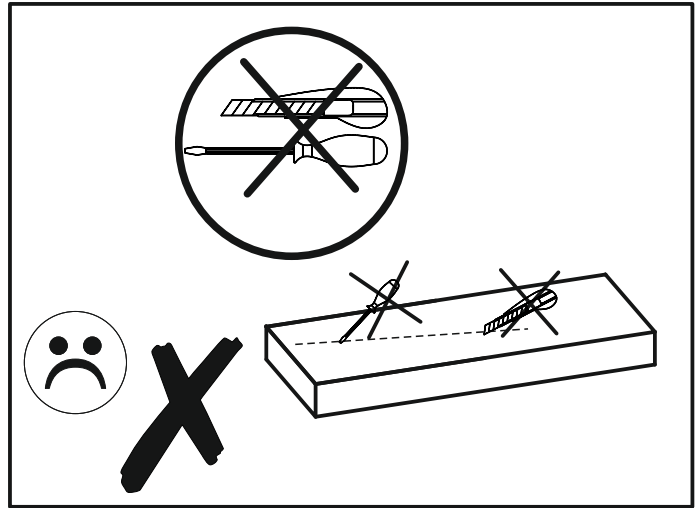
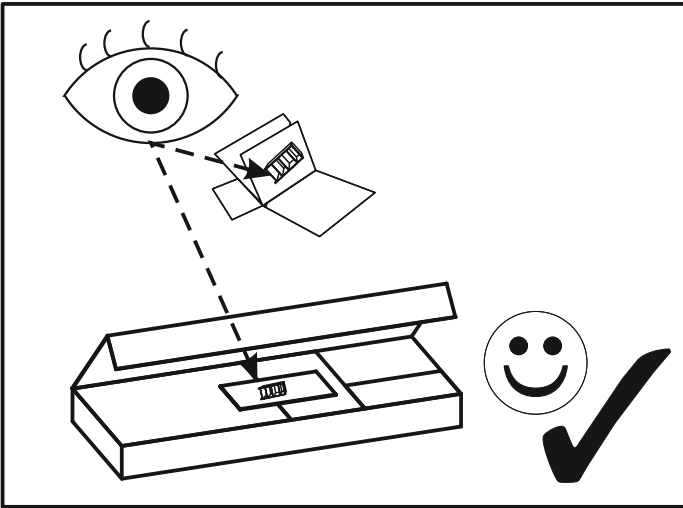


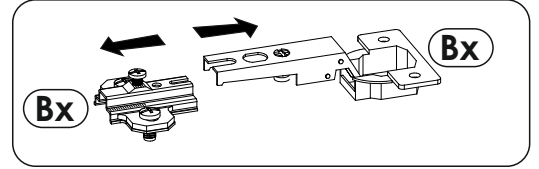
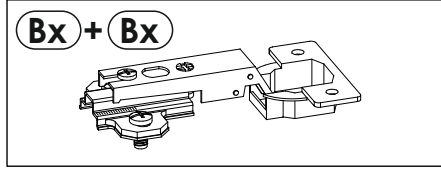
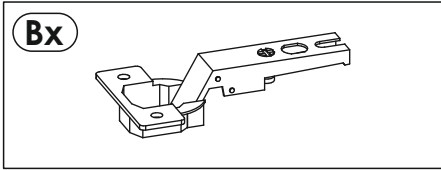
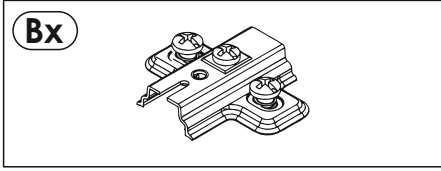


110 min

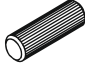
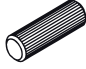
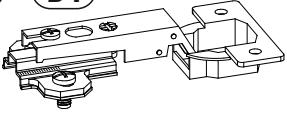


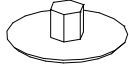

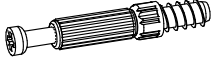
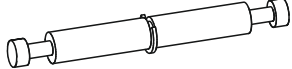
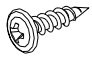

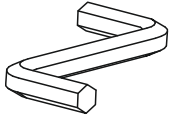
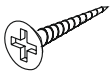
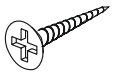
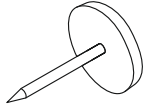
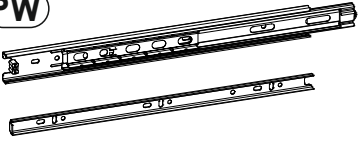
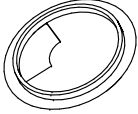
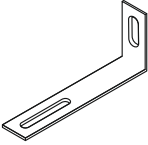
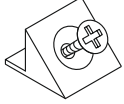
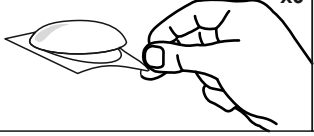
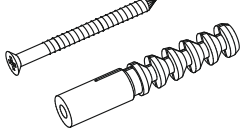
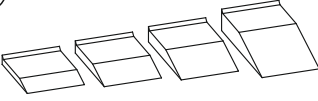
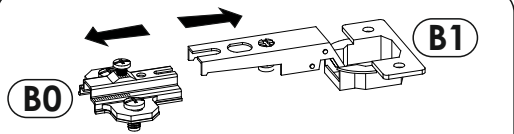


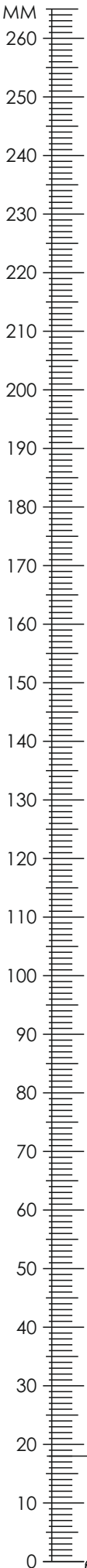


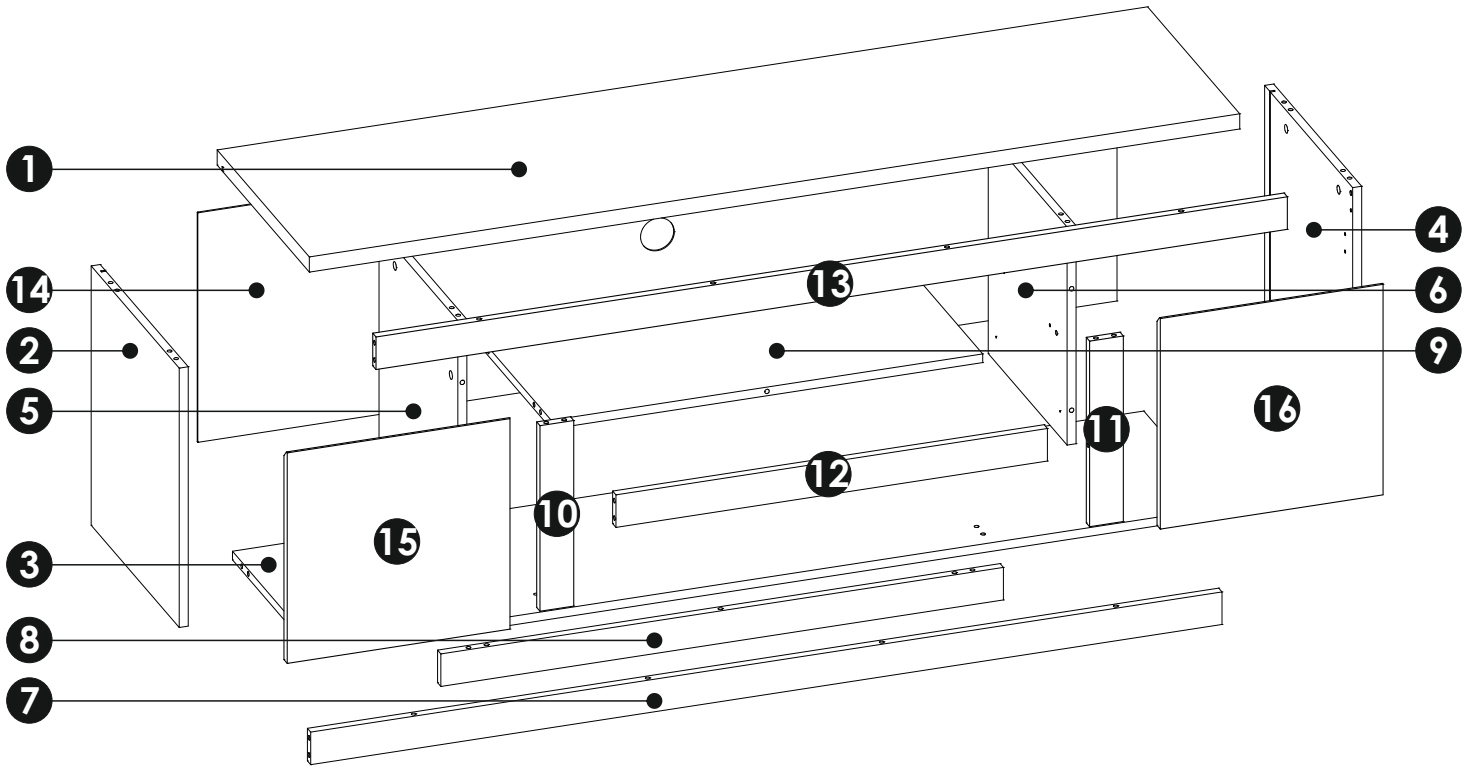
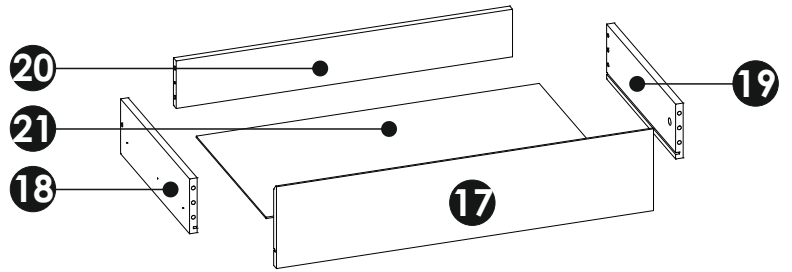
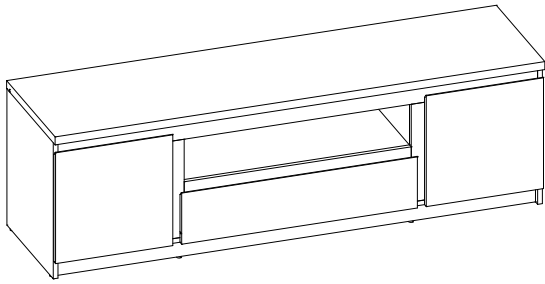




MM

<p>A1 8 x 35 mm x36</p> 	<p>A2 8 x 45 mm x4</p> 	<p>B0 + B1 x4</p> 
<p>C1 4 x 13 mm x8</p> 	<p>C2 5 x 13 mm x4</p> 	<p>E0 Ø16 x14</p> 
<p>E1 15 x 12 mm x44</p> 	<p>F1 6 x 34 mm x36</p> 	<p>F3 7 x 58 mm x4</p> 
<p>I2 4 x 16 mm x2</p> 	<p>G1 7 x 50 mm x6</p> 	<p>M x1</p> 
<p>N1 3 X 16 mm x20</p> 	<p>N2 3,5 X 16 mm x6</p> 	<p>O2 x9</p> 
<p>PW x2</p> 	<p>P24 x1</p> 	<p>Q9 x2</p> 
<p>R4 x8</p> 	<p>R8 x6</p> 	<p>S13 x2</p> 
<p>Z x1</p> 	<p>B0 B1</p> 	

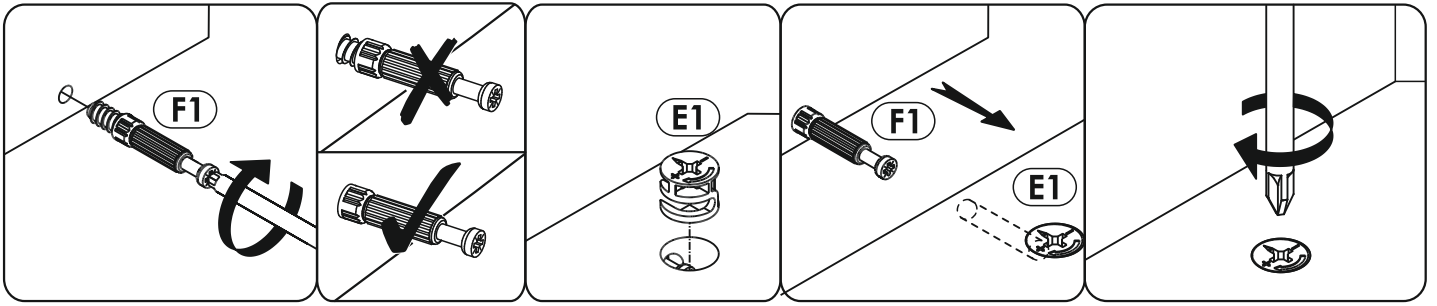




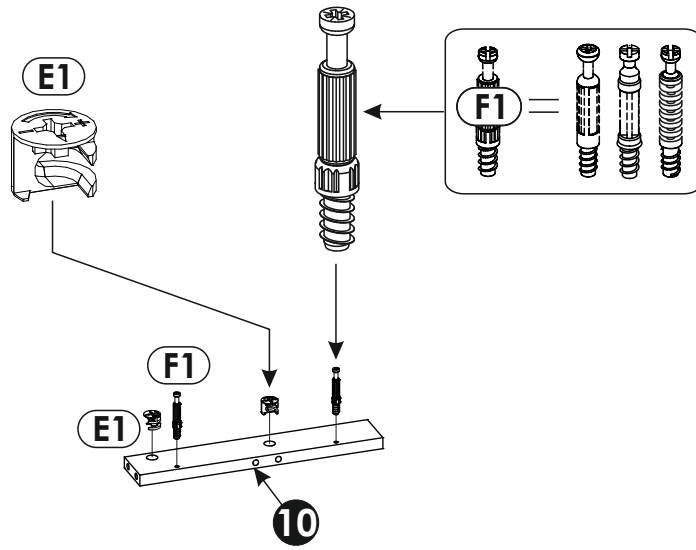
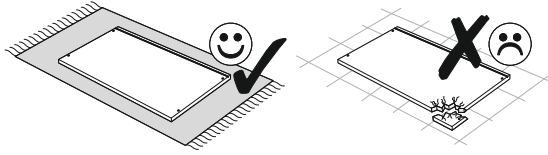
1	1654	450	28	x1	2/2
2	478	430	16	x1	1/2
3	1620	402	16	x1	2/2
4	478	430	16	x1	1/2
5	402	385	16	x1	1/2
6	402	385	16	x1	1/2
7	1620	60	16	x1	2/2

8	1000	60	16	x1	2/2
9	767	385	16	x1	1/2
10	342	60	16	x1	1/2
11	342	60	16	x1	1/2
12	767	60	16	x1	1/2
13	1620	60	16	x1	2/2
14	423	1634	3	x1	2/2

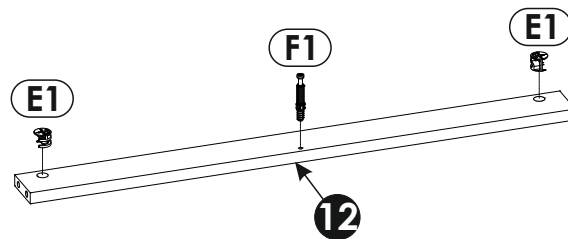
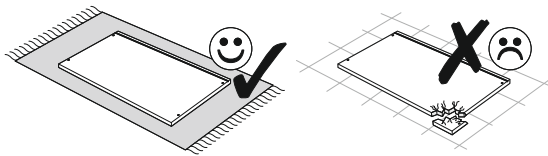
15	388	396	16	x1	1/2
16	388	396	16	x1	1/2
17	796	179	16	x1	1/2
18	400	120	16	x1	1/2
19	400	120	16	x1	1/2
20	710	104	16	x1	1/2
21	724	405	3	x1	1/2



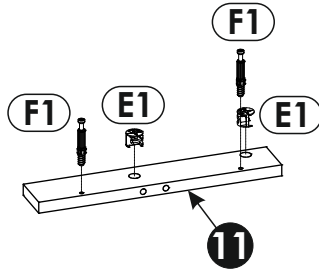
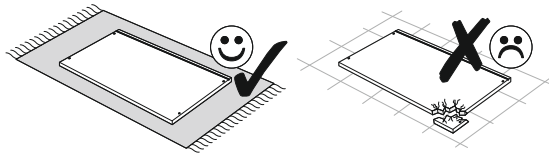
1 ▶



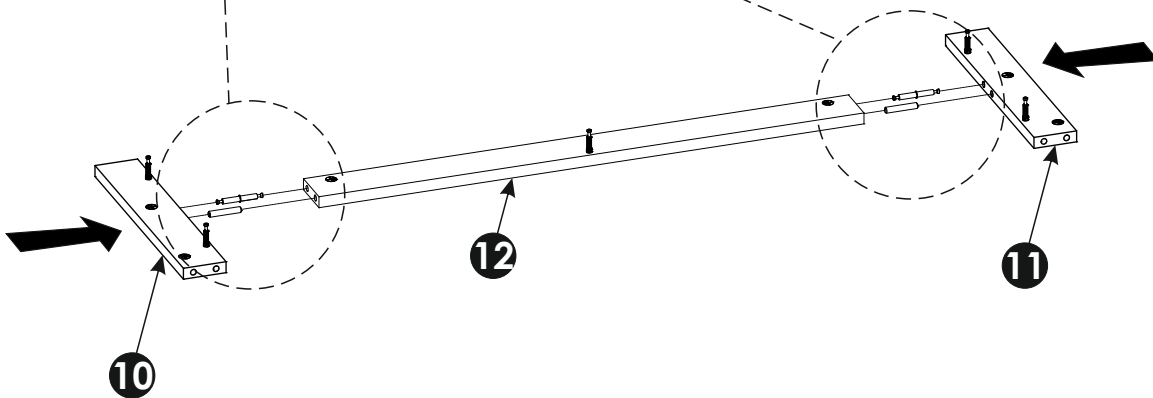
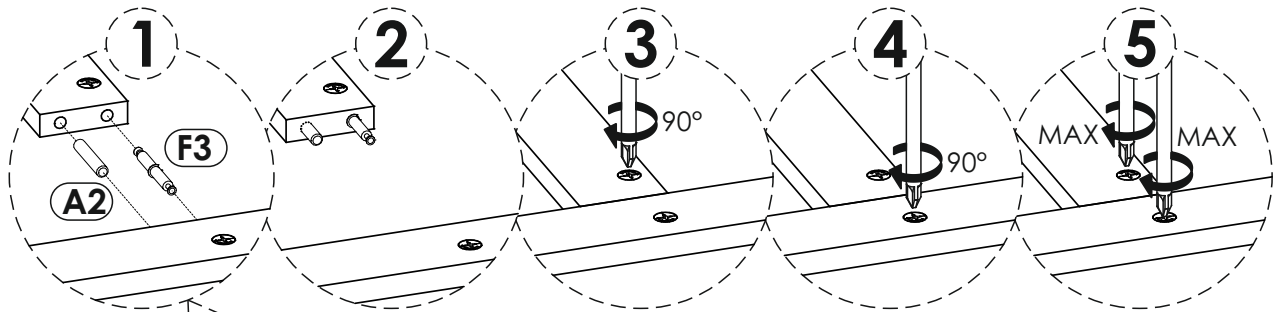
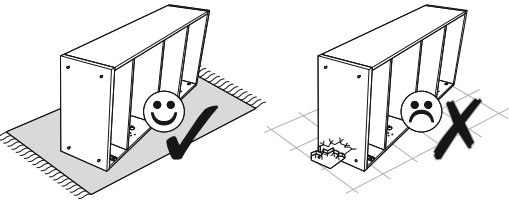
2 ▶



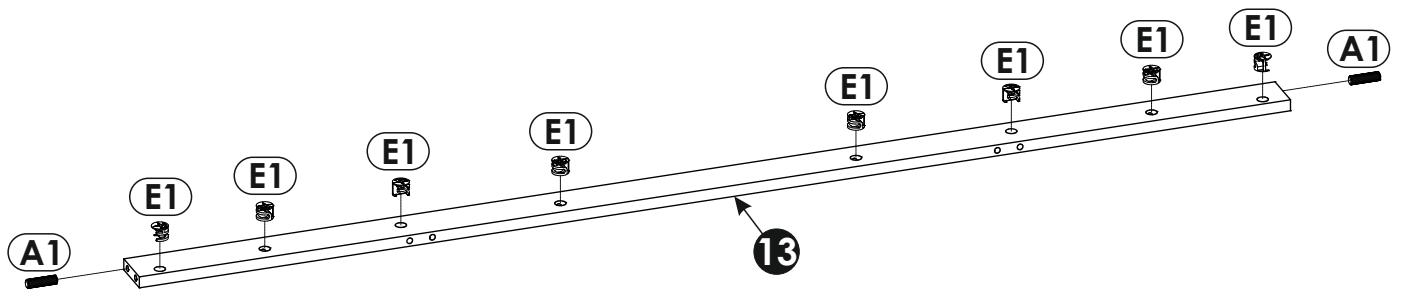
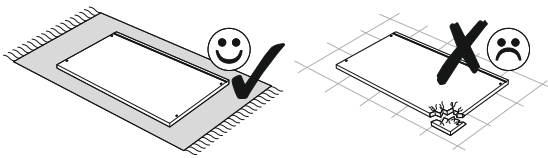
3 ▶



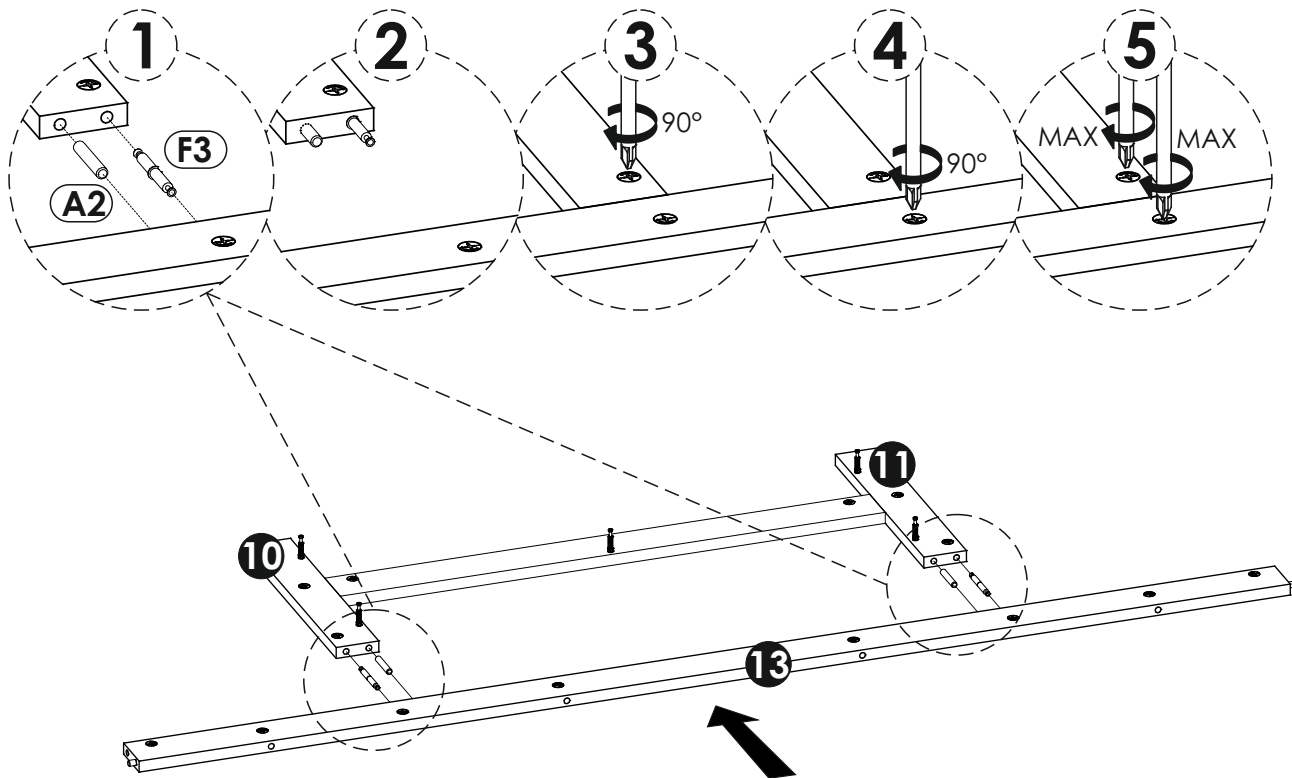
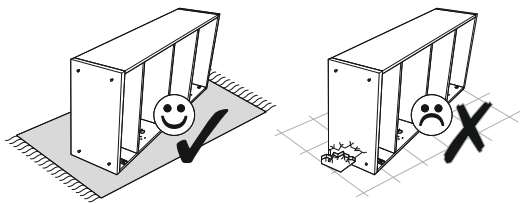
4 ▶

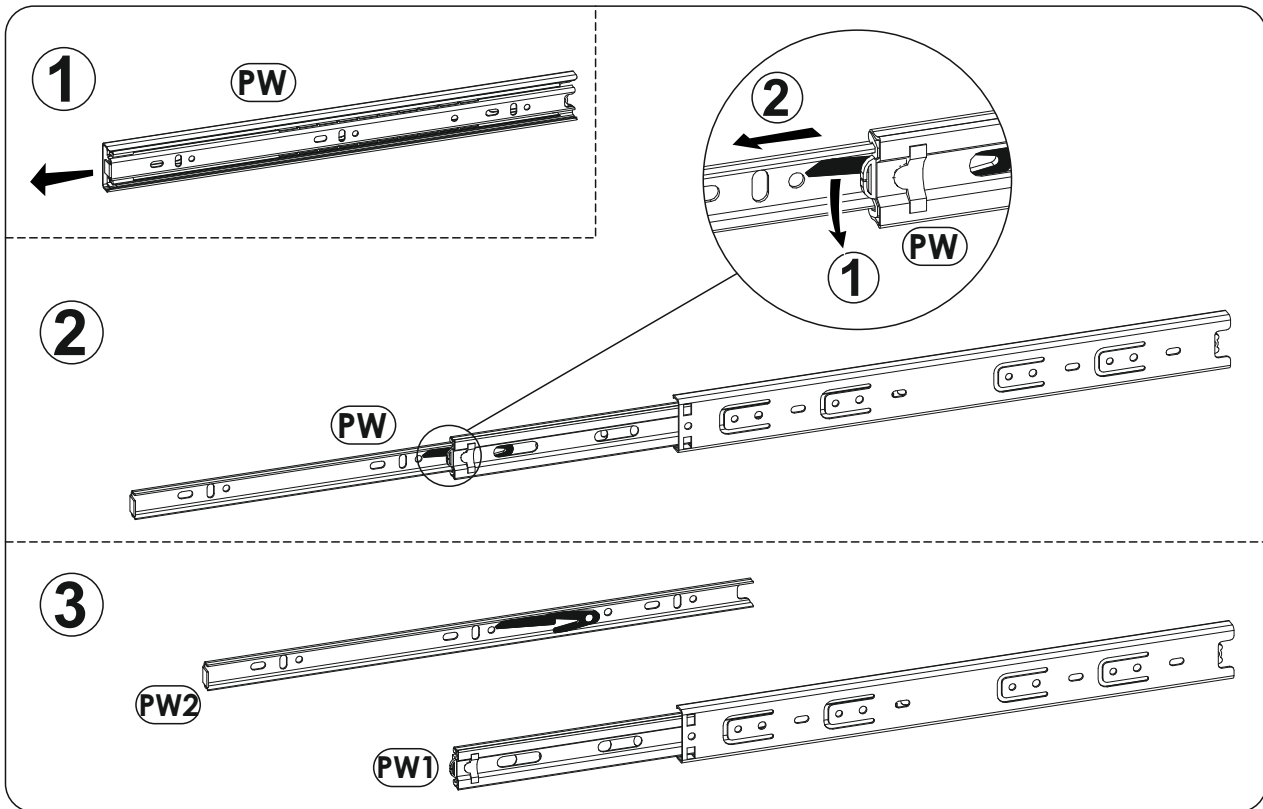


5 ▶

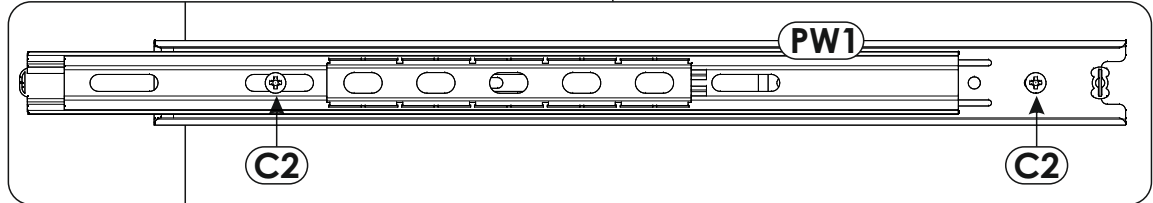
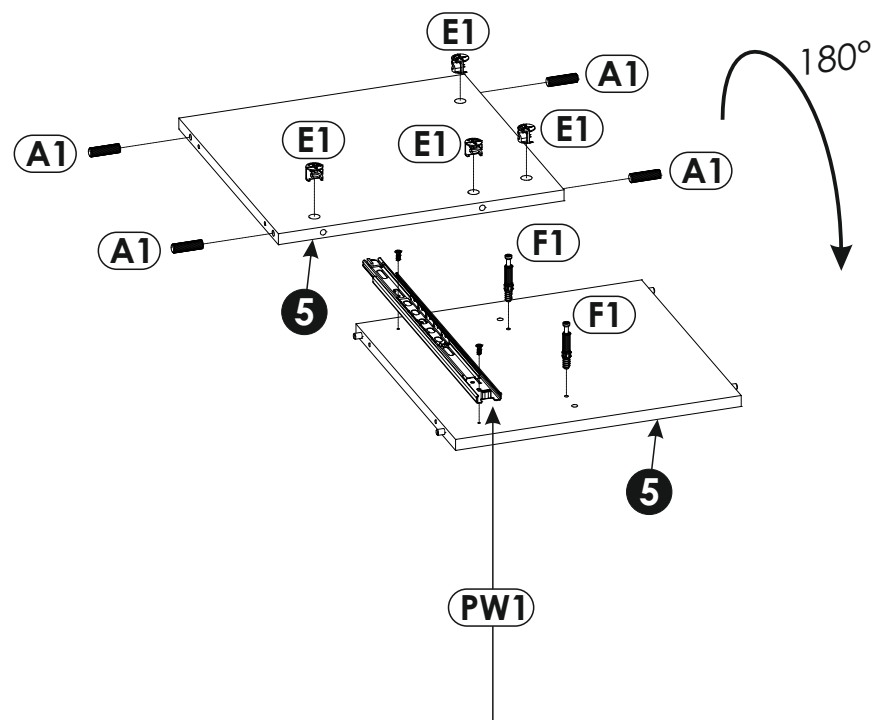
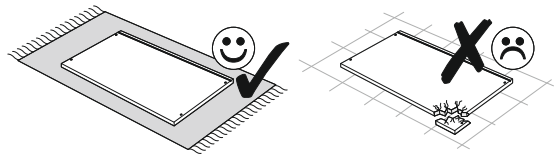


6 ▶

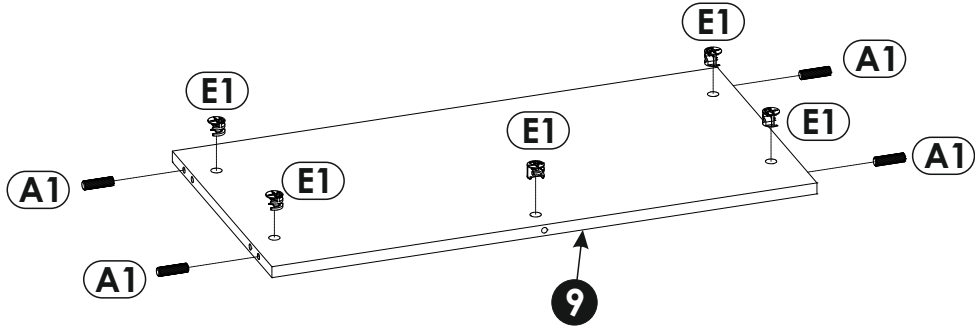
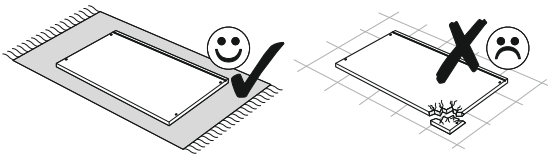




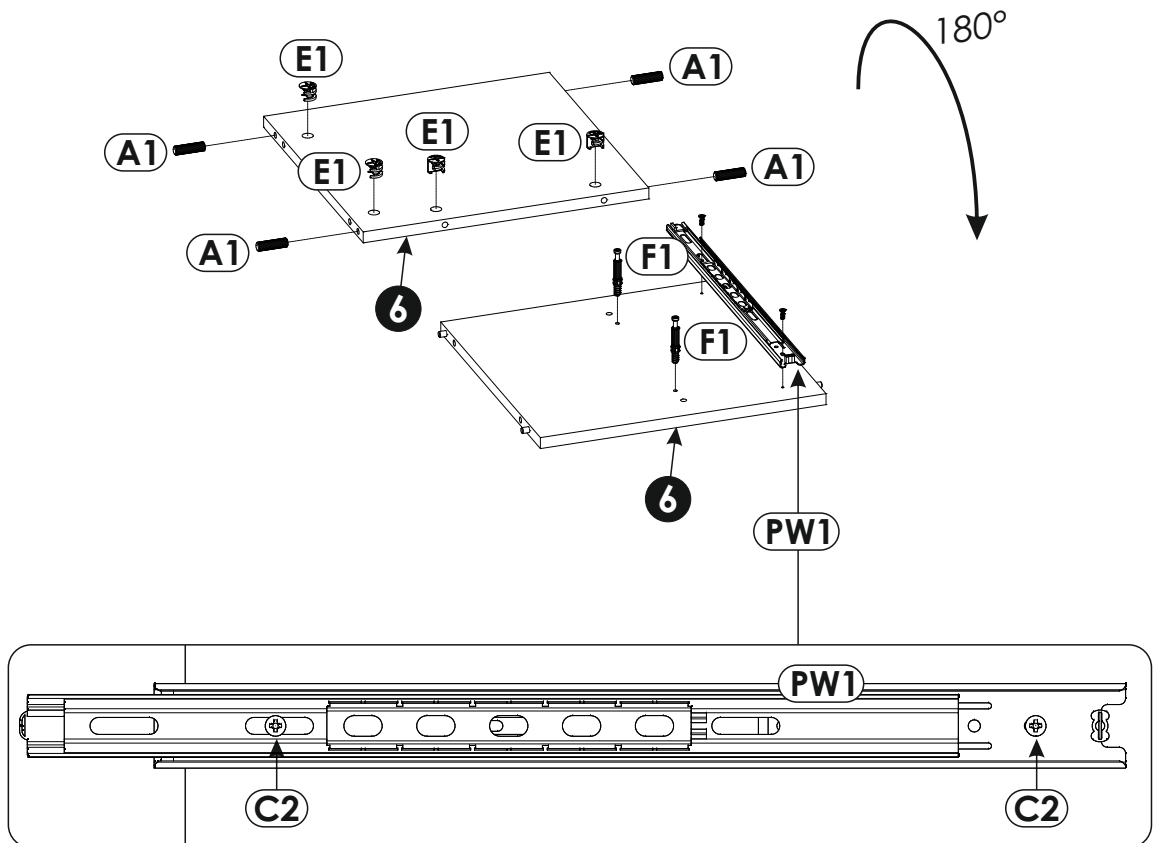
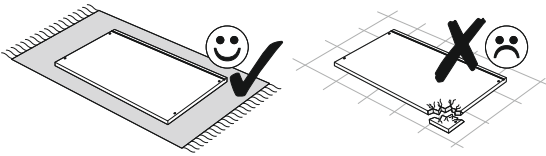
7 ➤



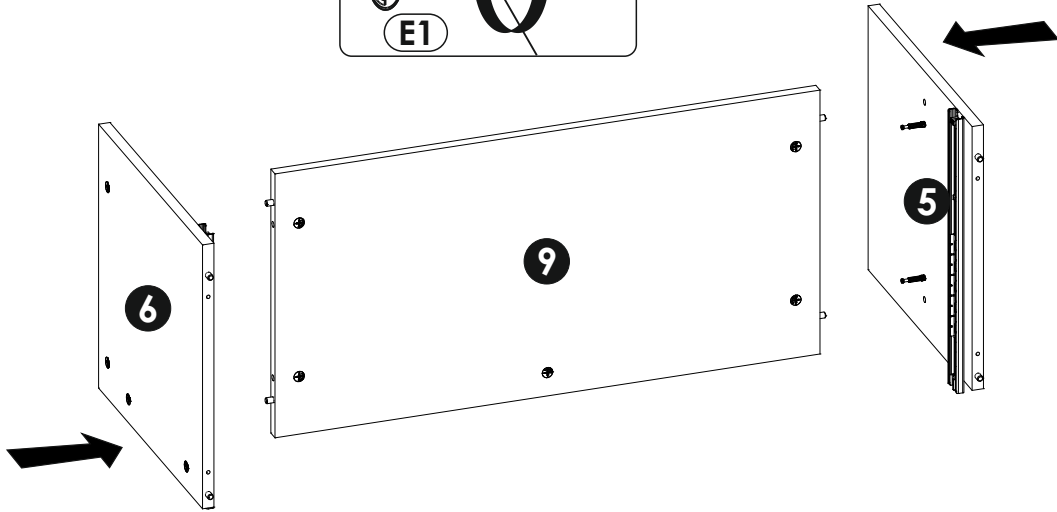
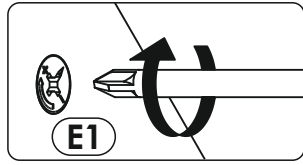
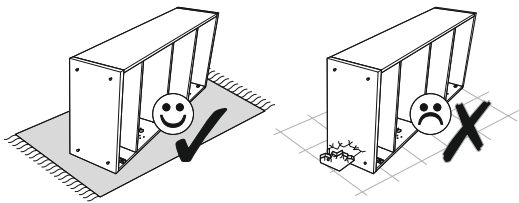
8 ▶



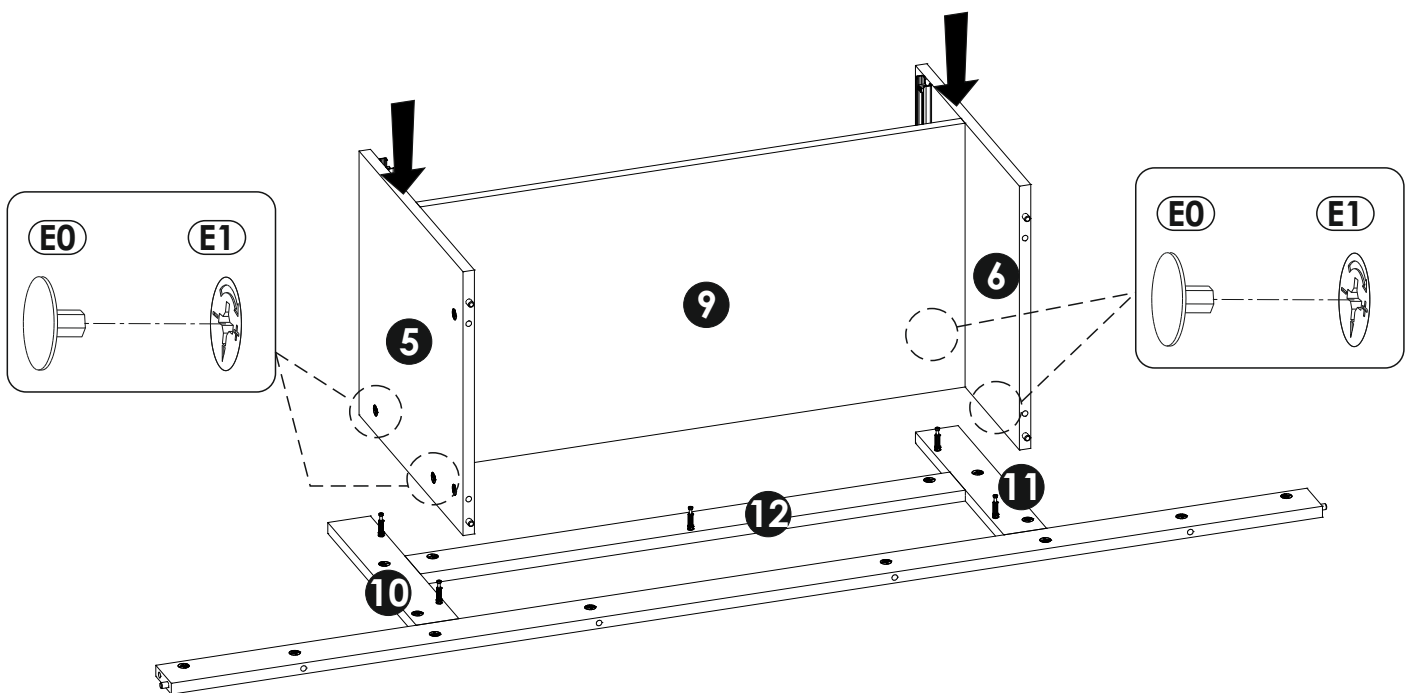
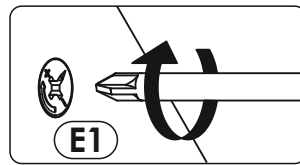
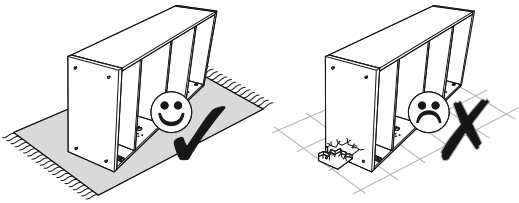
9 ▶



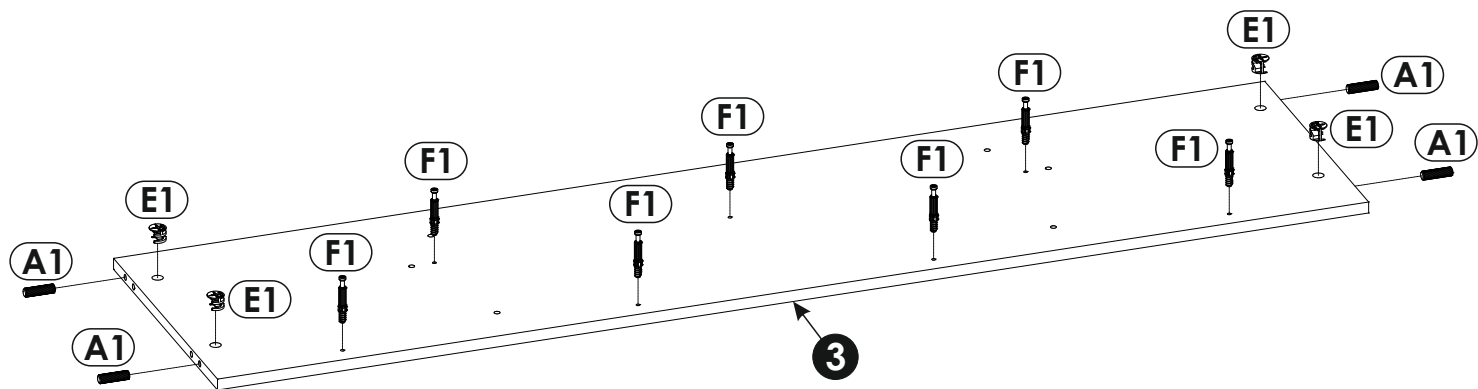
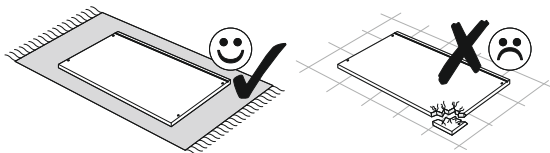
10 ▶



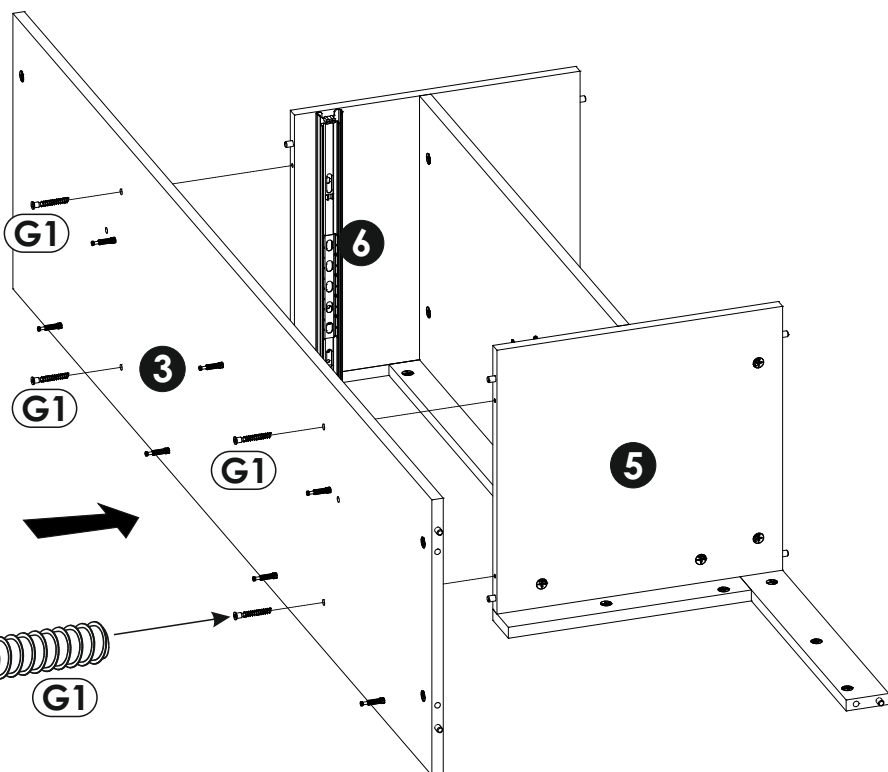
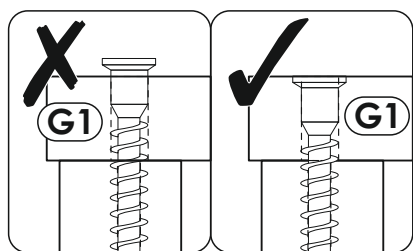
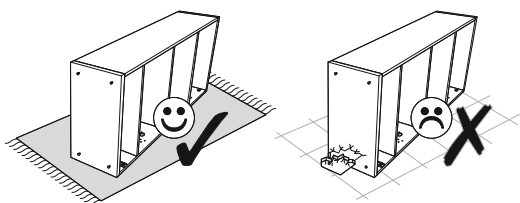
11 ▶



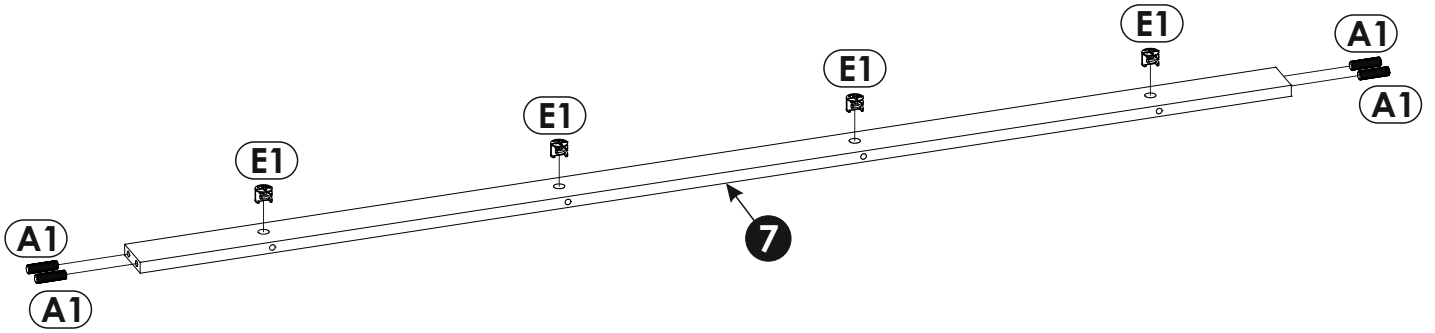
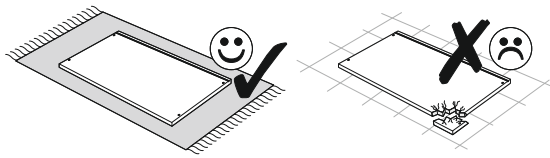
12 ▶



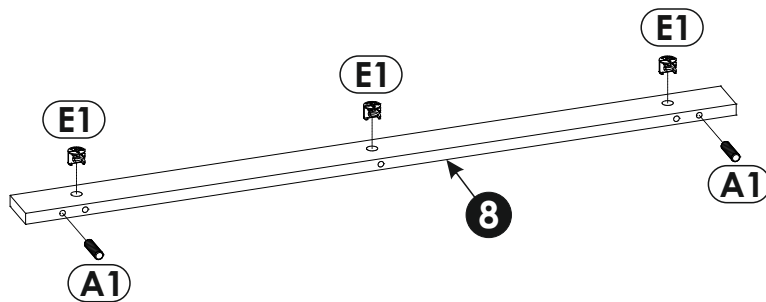
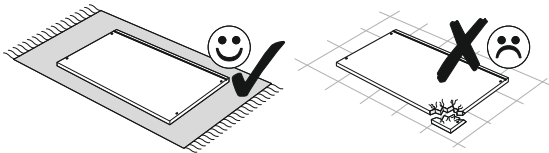
13 ▶



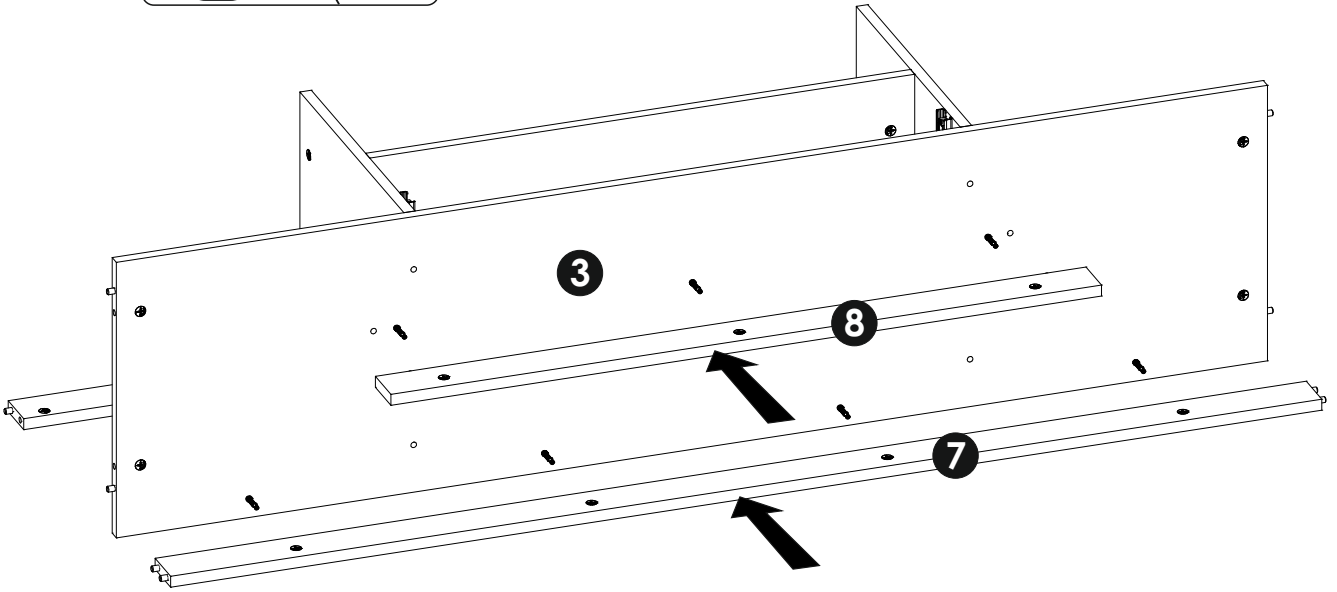
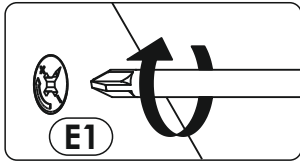
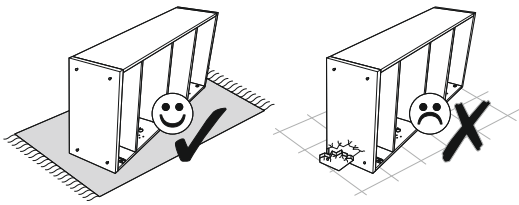
14▶



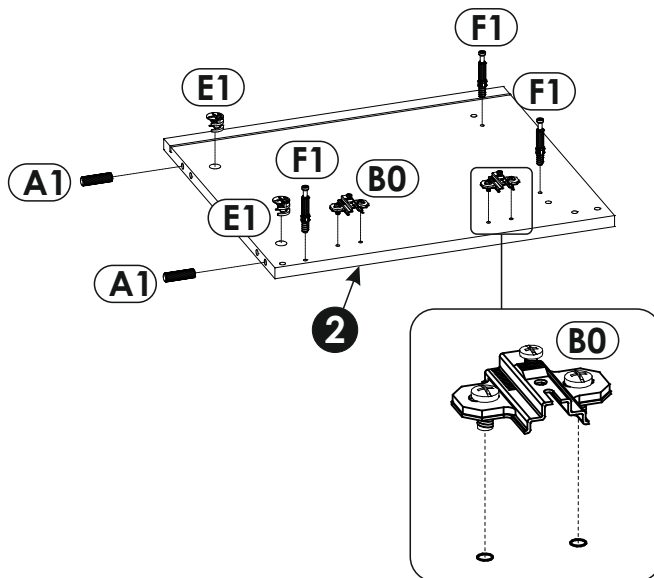
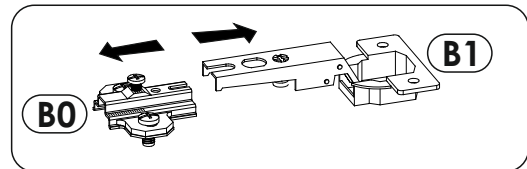
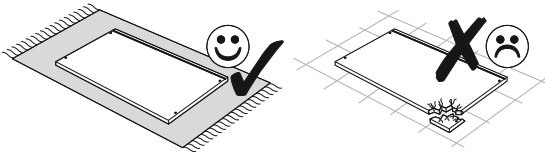
15▶



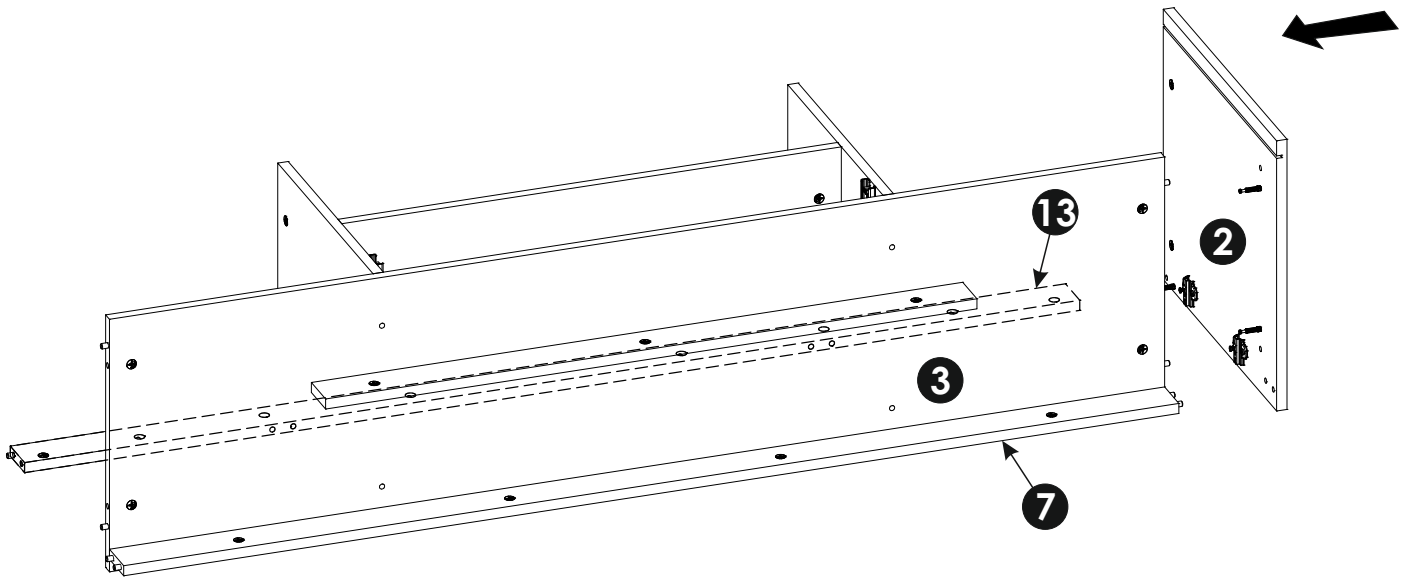
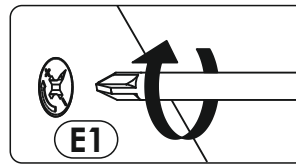
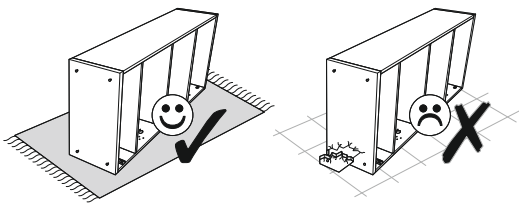
16▶



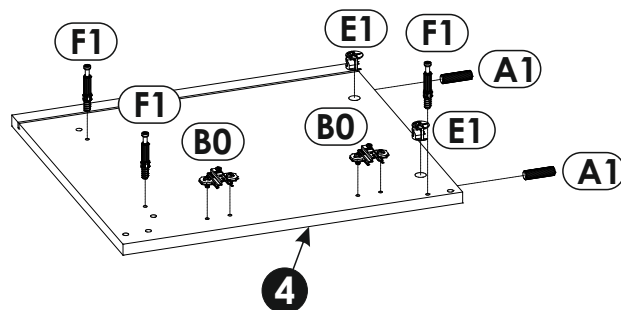
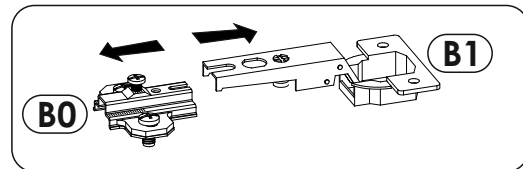
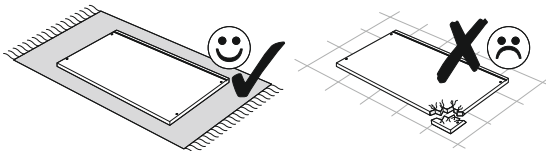
17▶



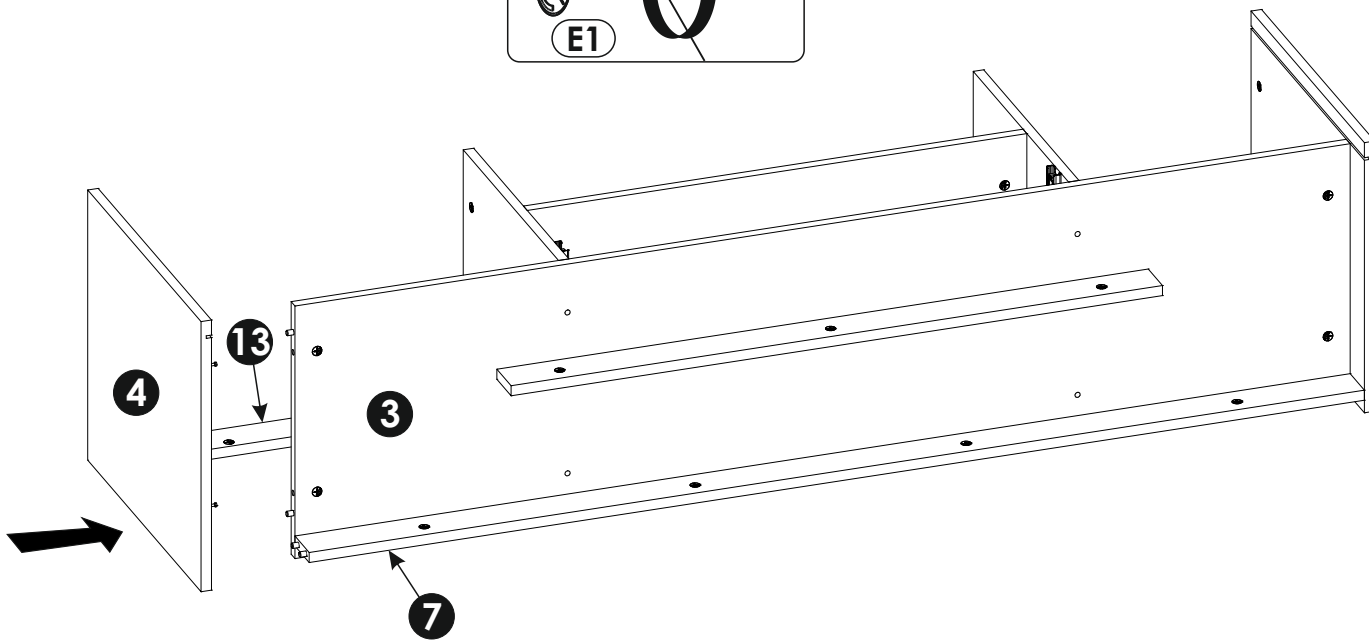
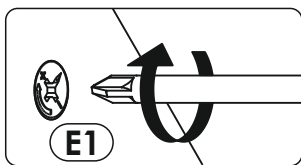
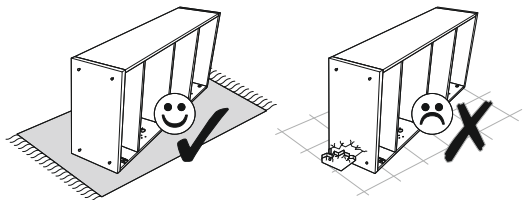
18 ▶



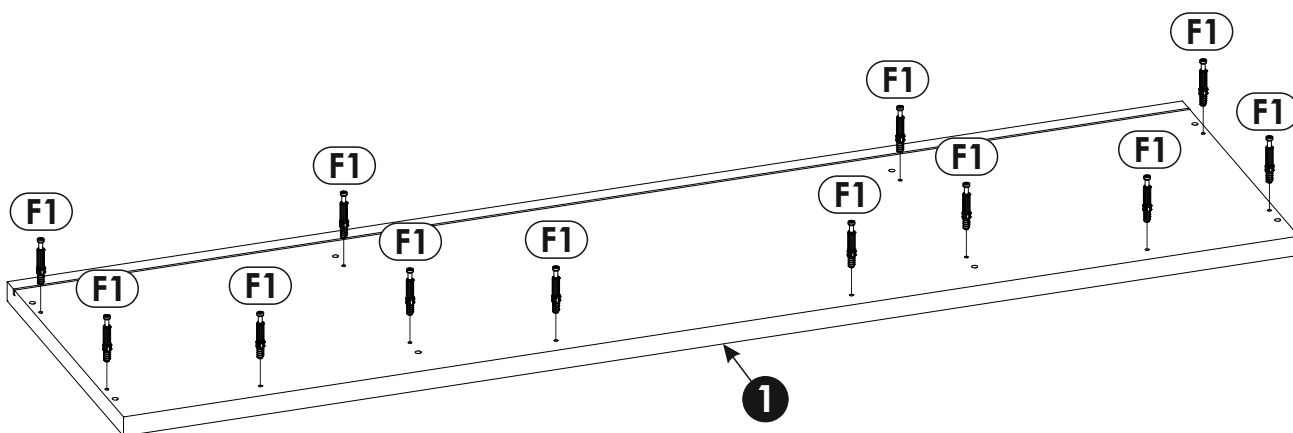
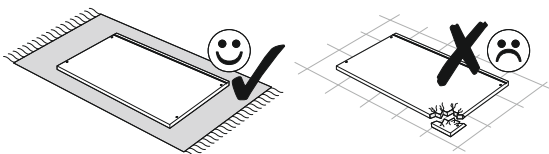
19 ▶



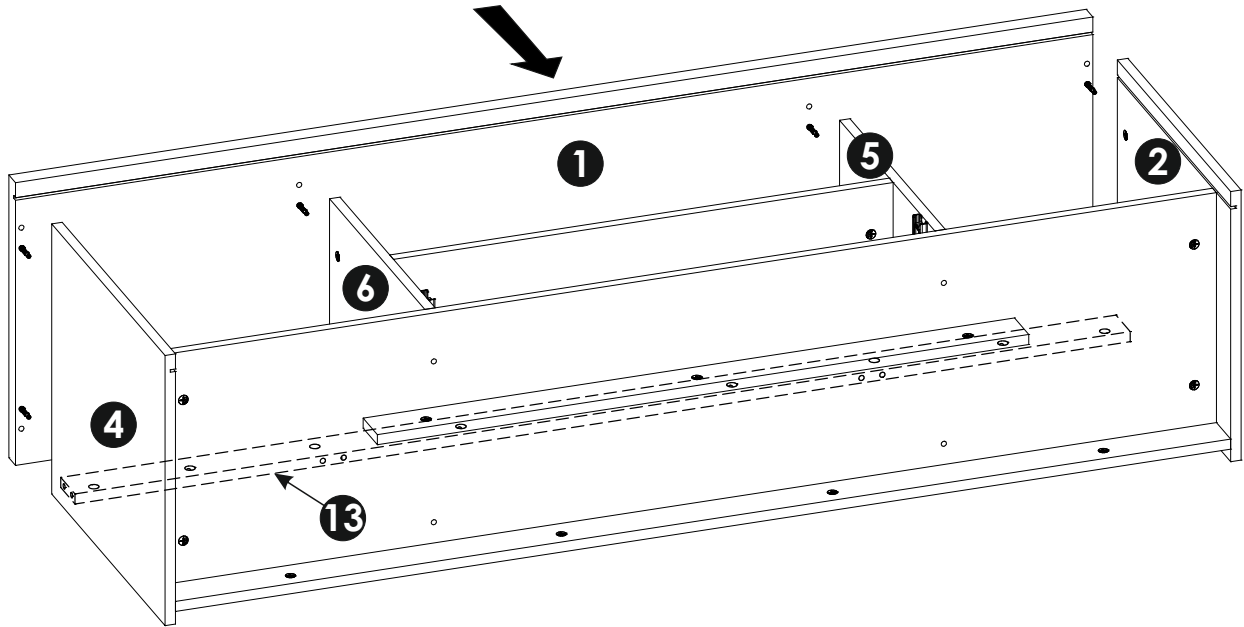
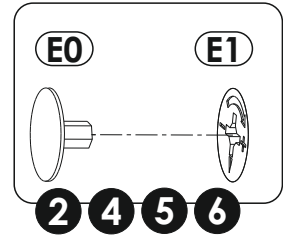
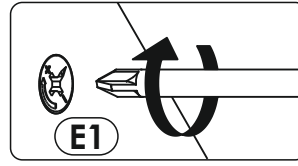
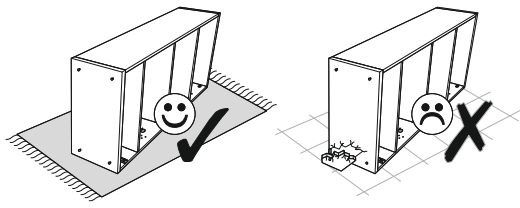
20 ▶



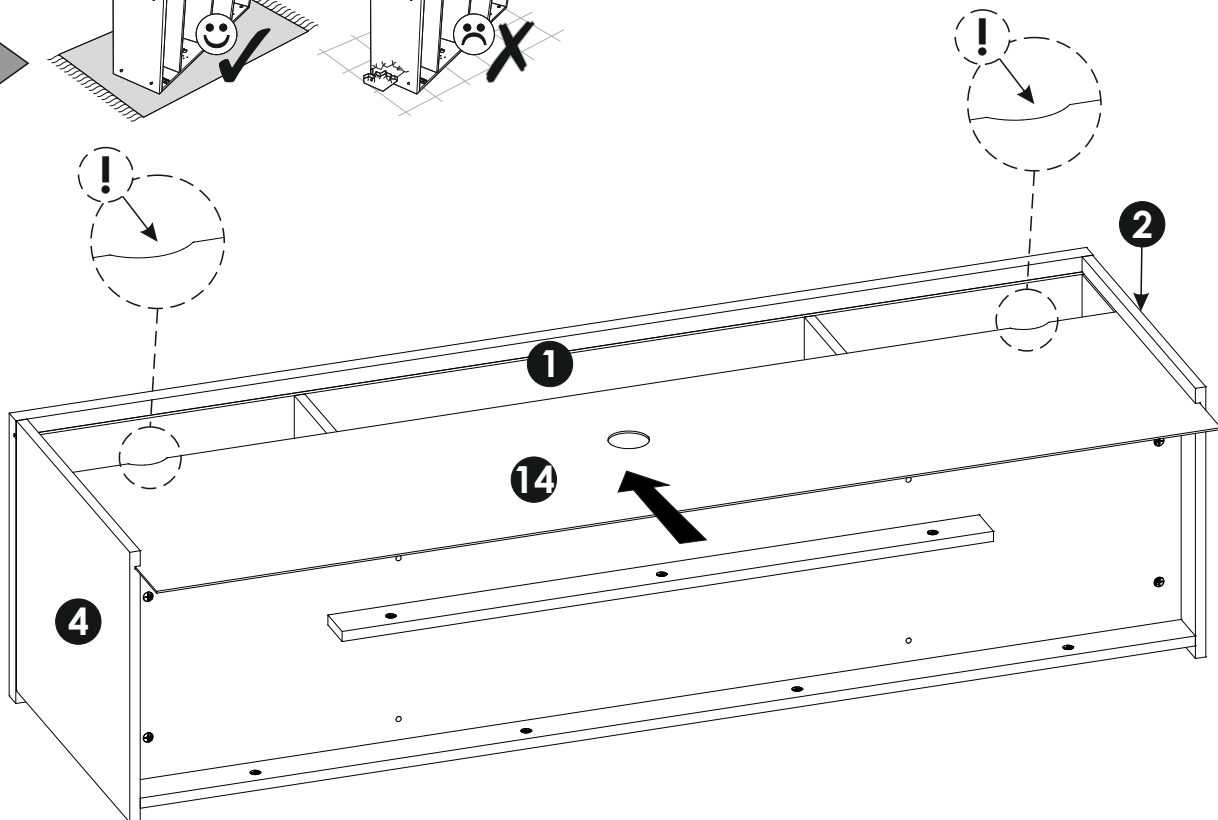
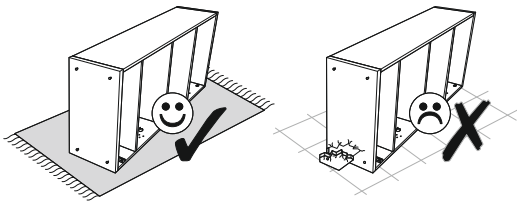
21 ▶



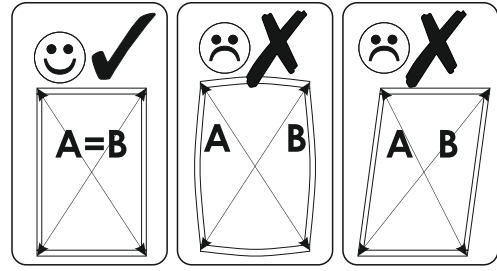
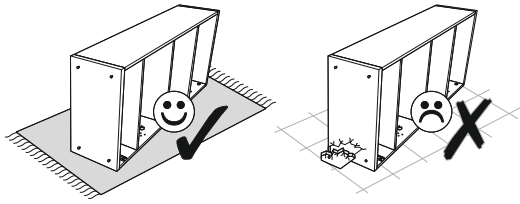
22 ▶



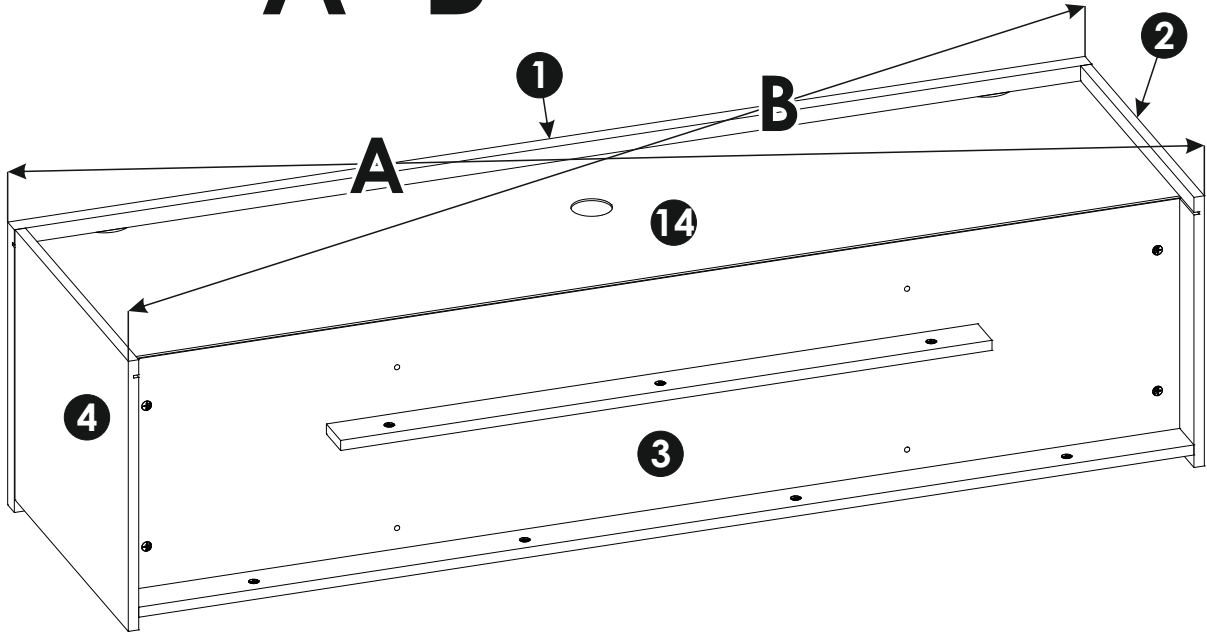
23 ▶



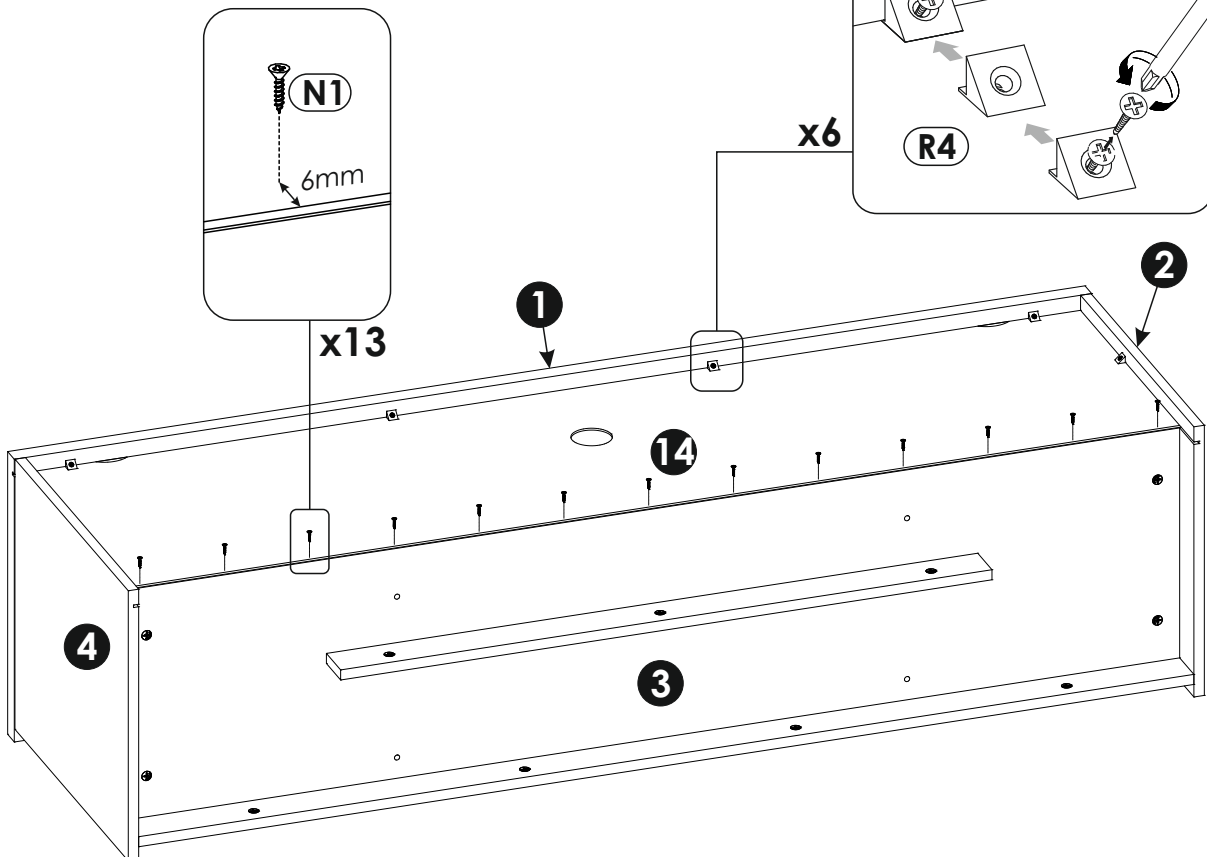
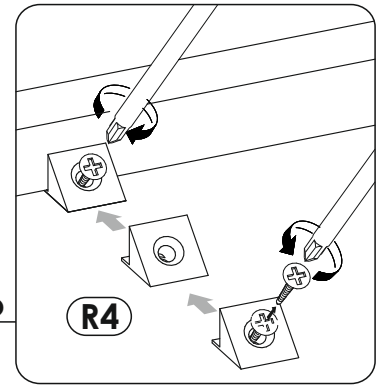
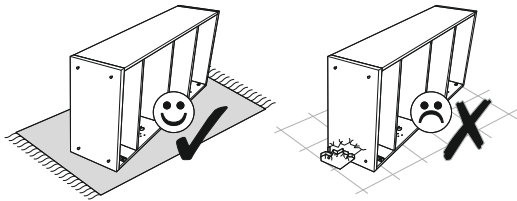
24 ▶



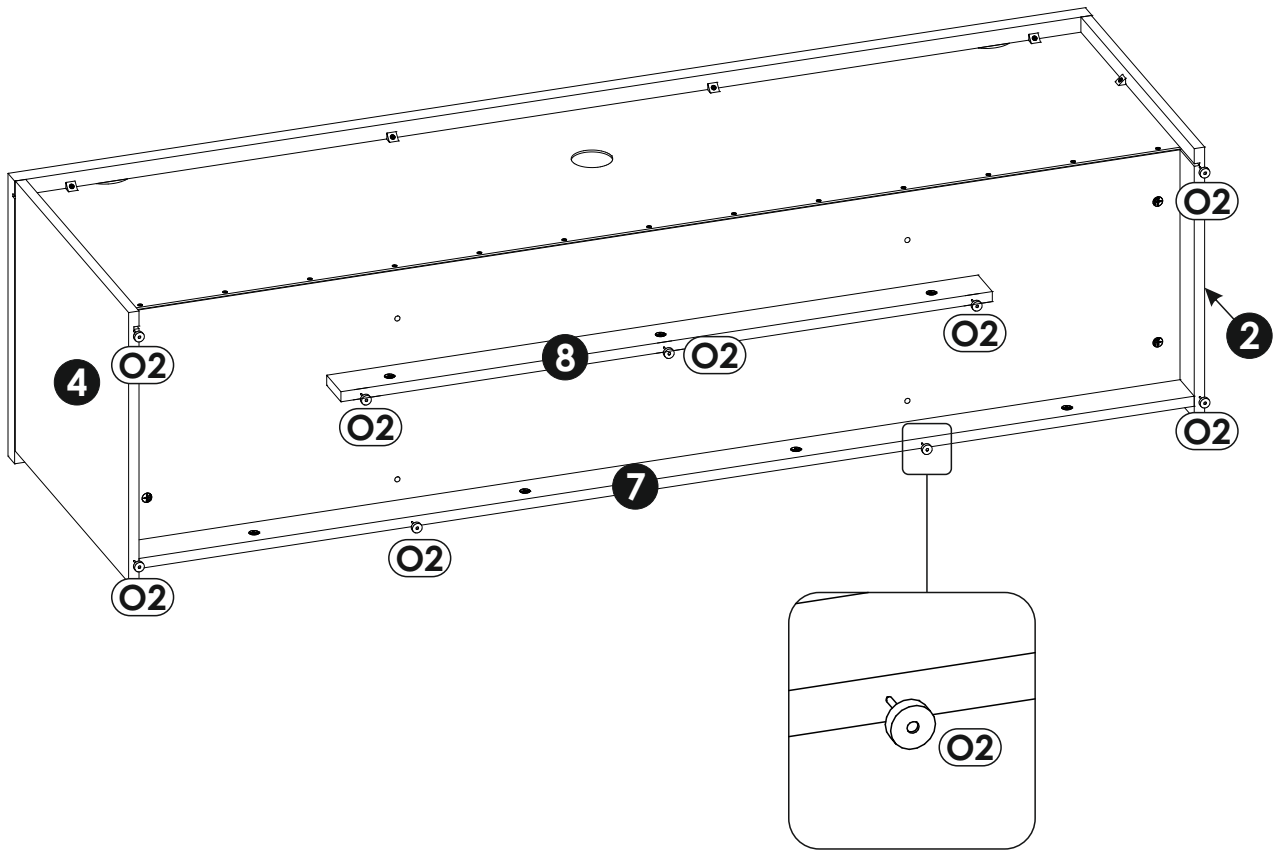
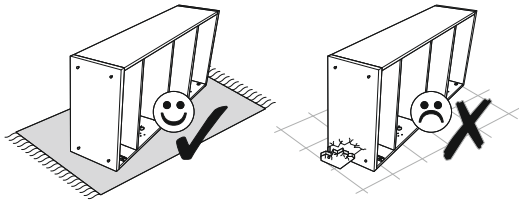
A=B

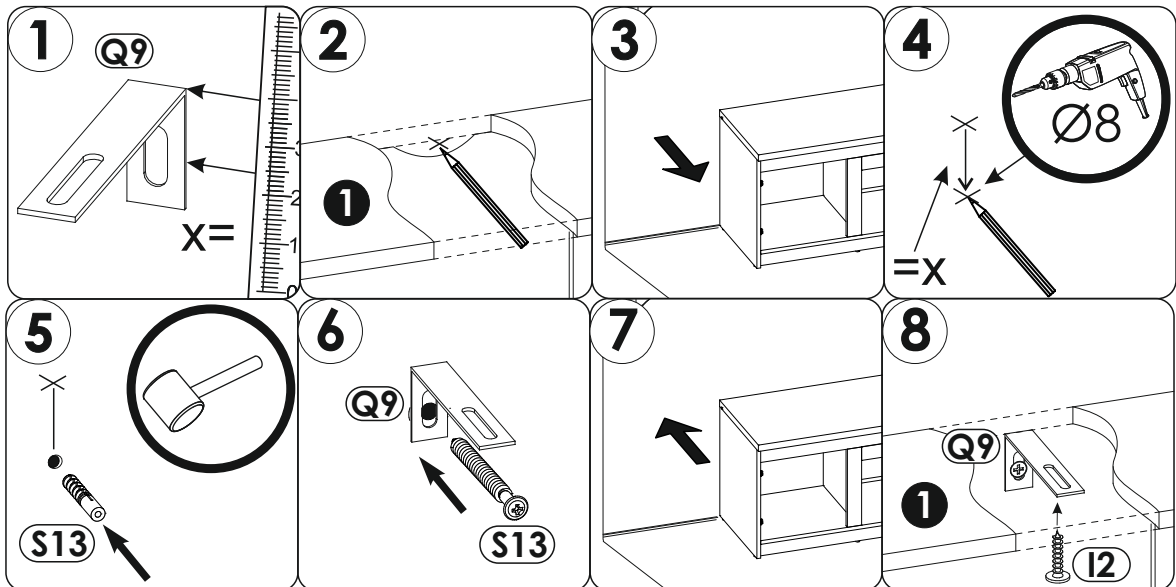
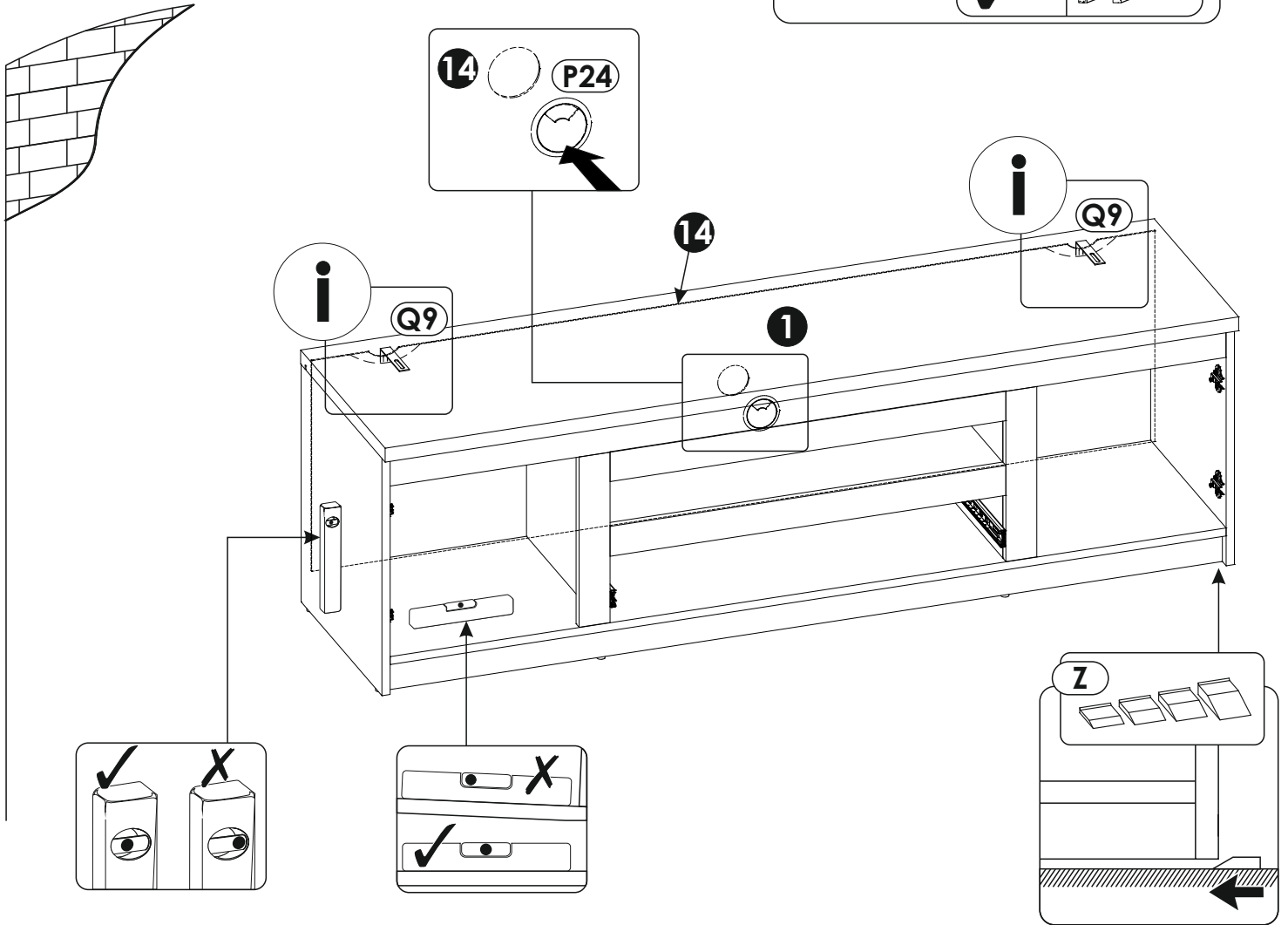
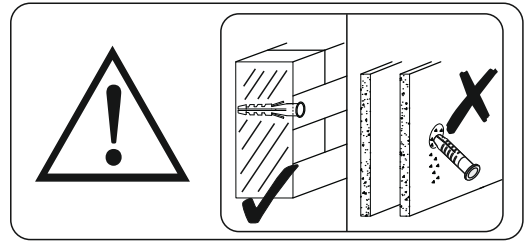


25 ▶

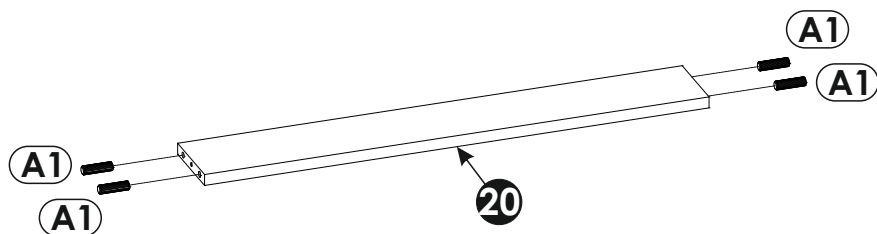
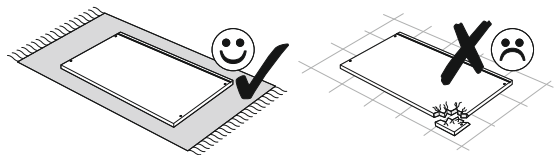


26 ▶

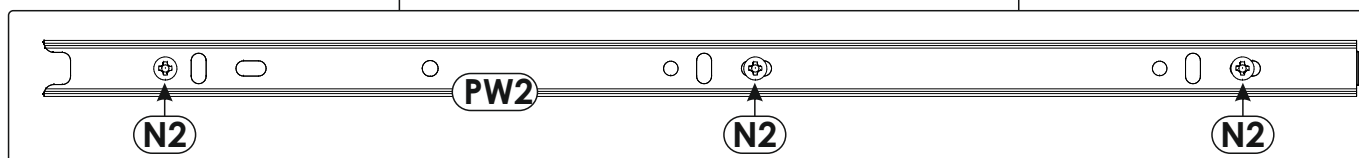
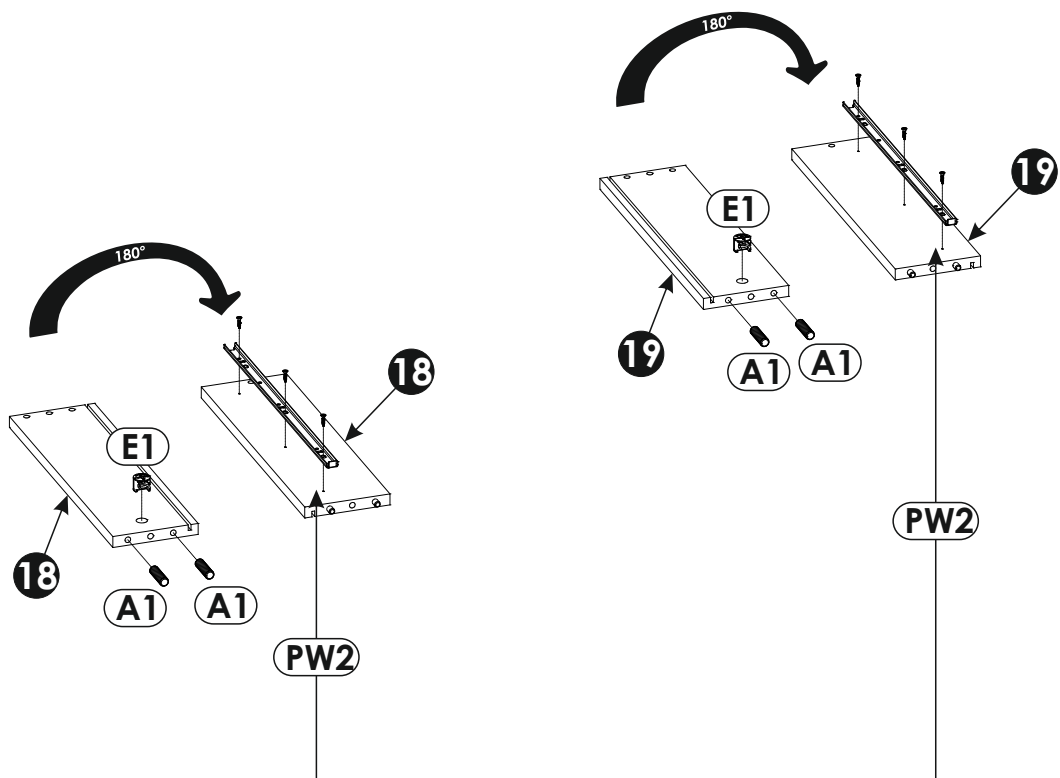
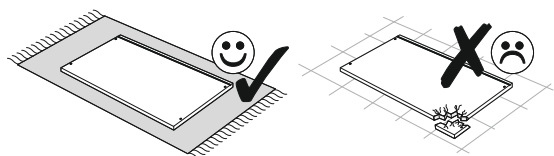




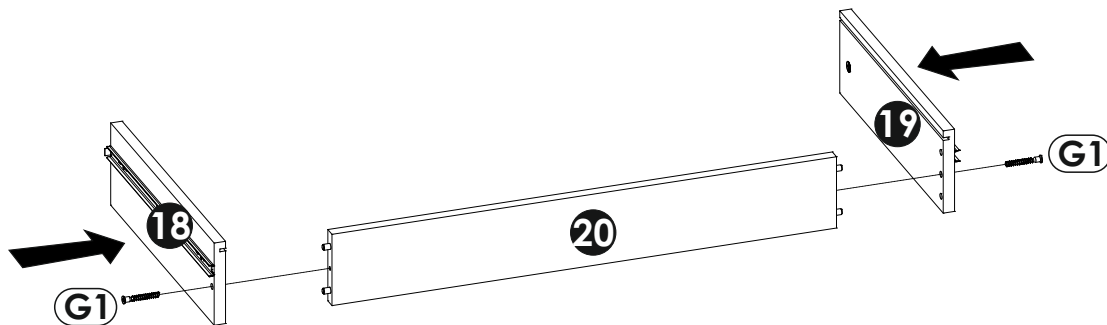
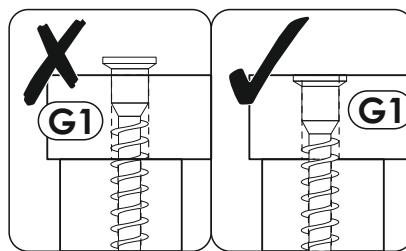
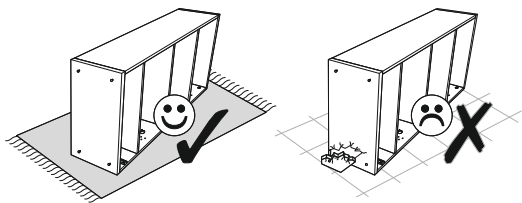
28 ▶



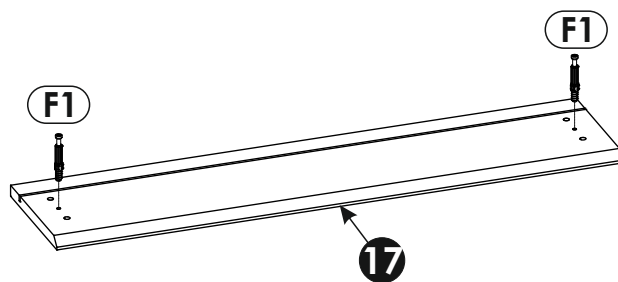
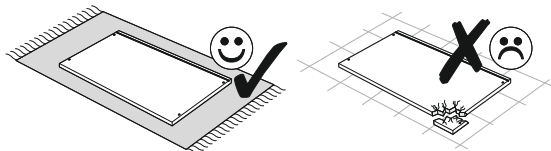
29 ▶



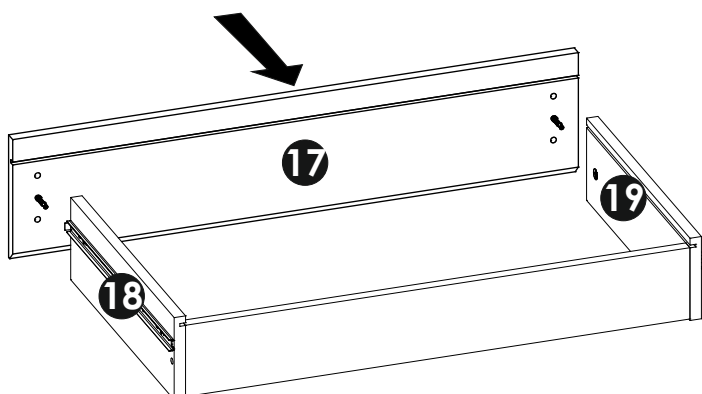
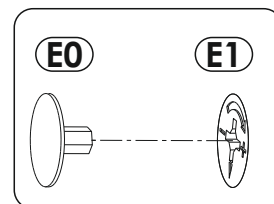
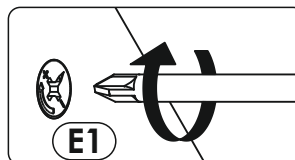
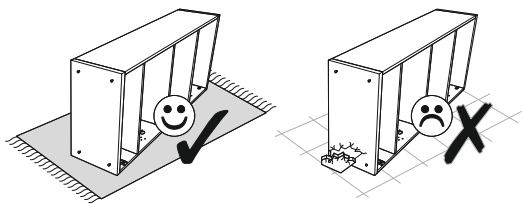
30 ▶



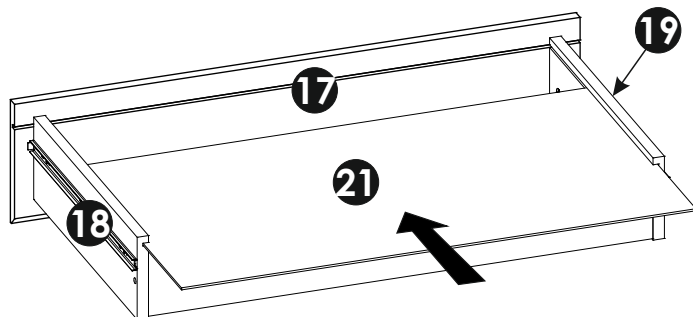
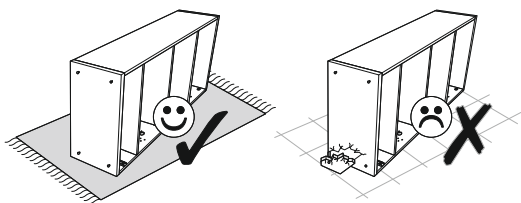
31 ▶



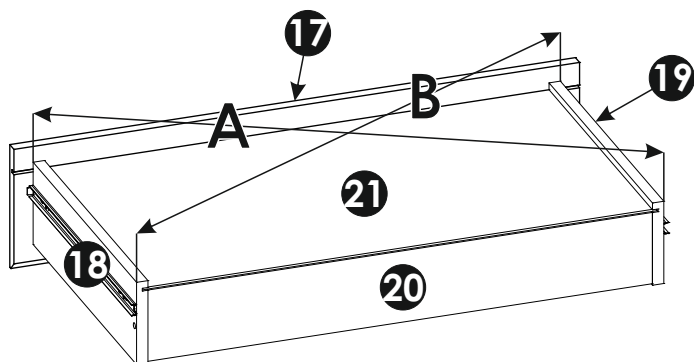
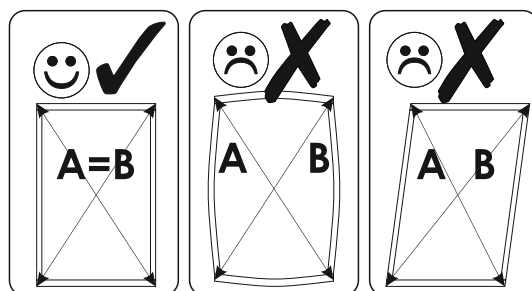
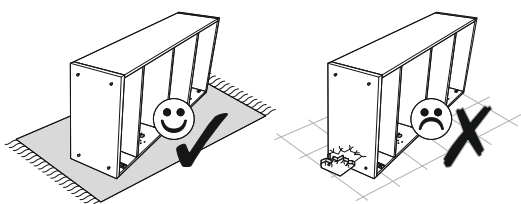
32 ▶



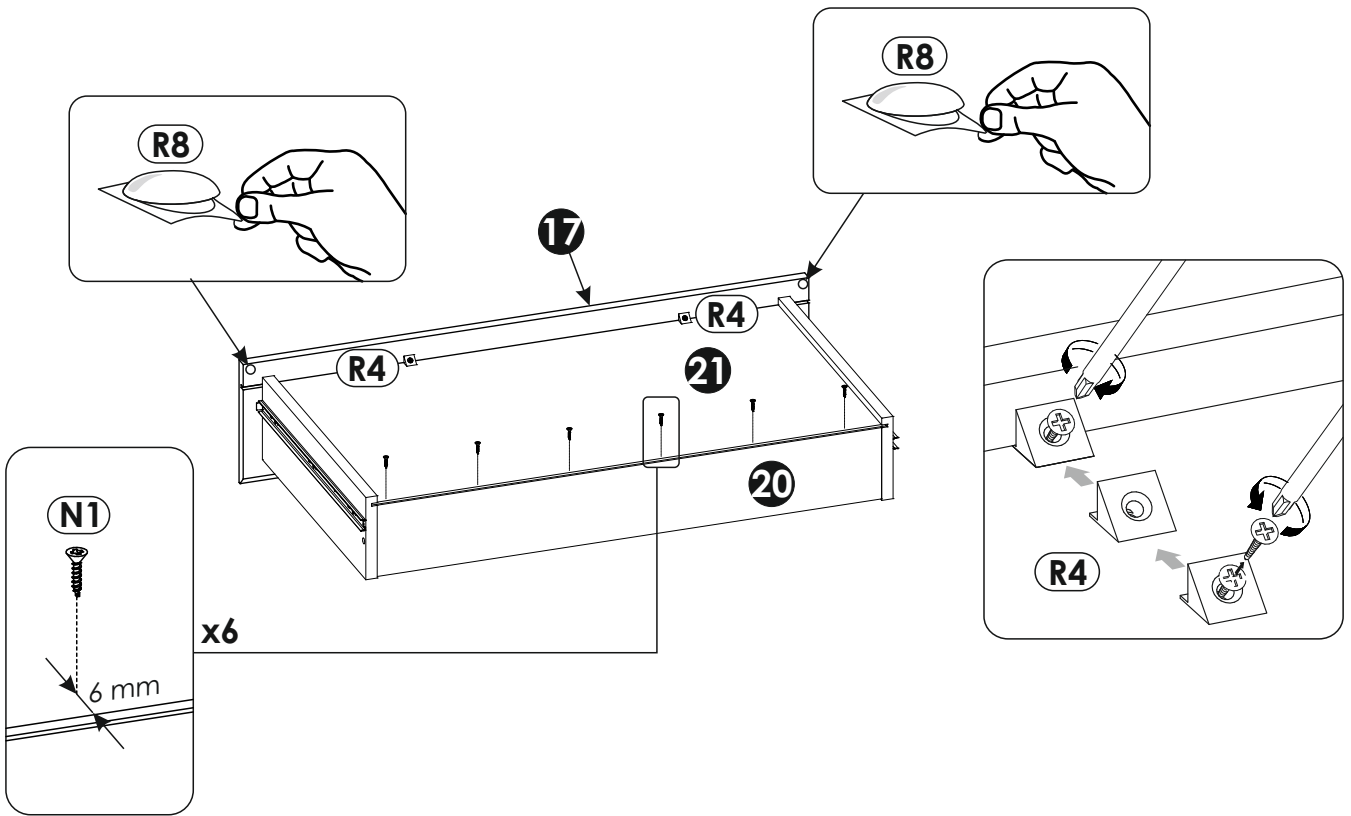
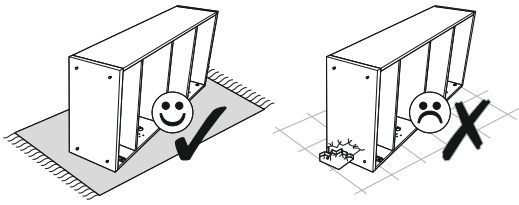
33 ▶



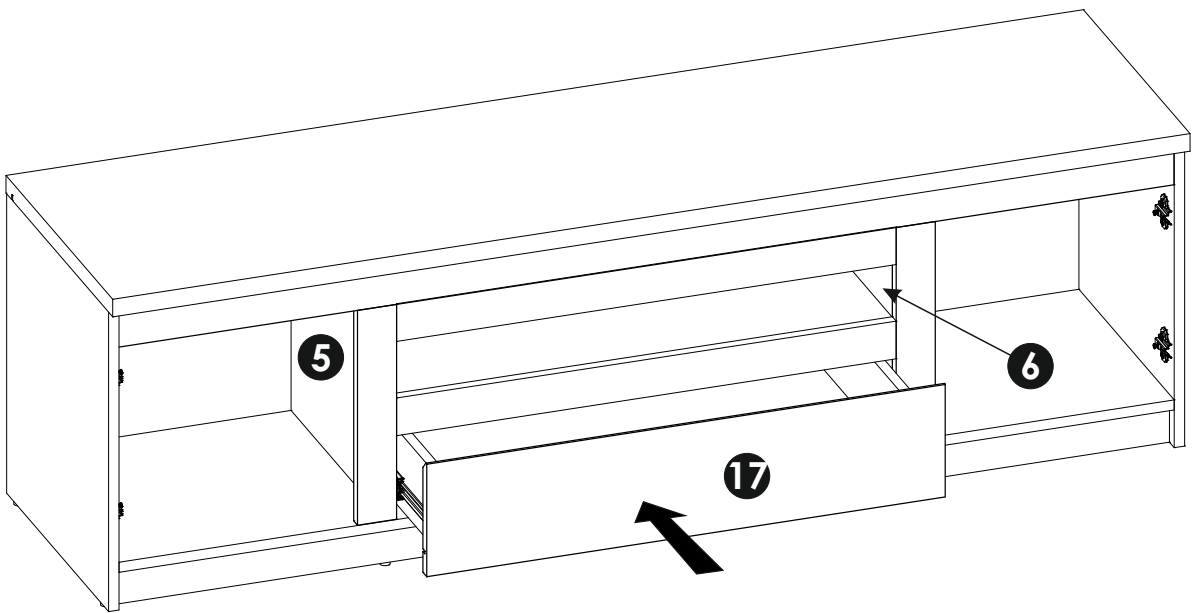
34 ▶

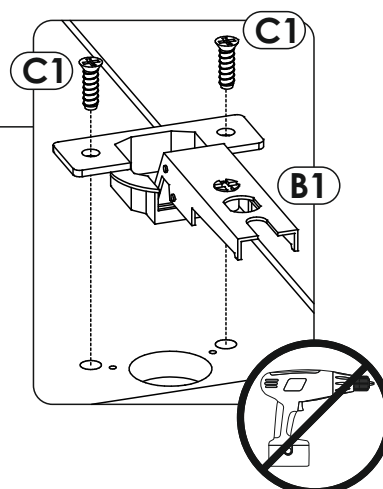
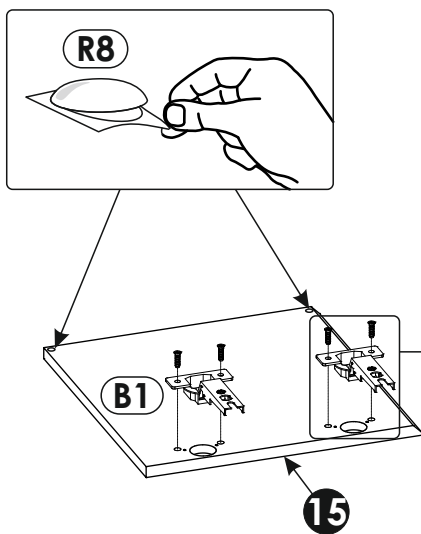
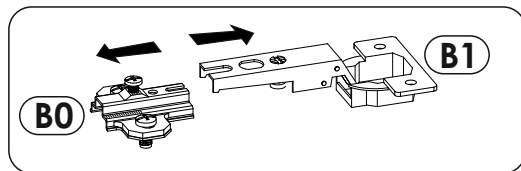
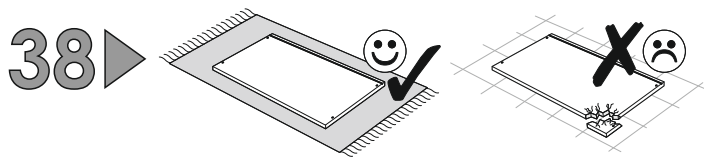
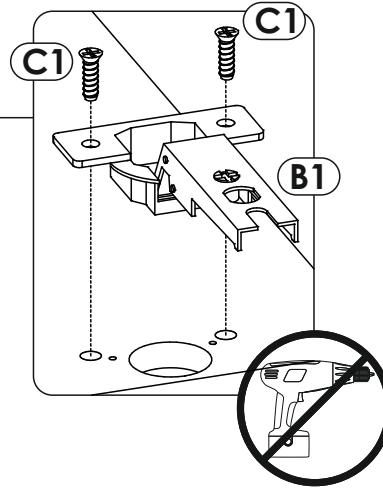
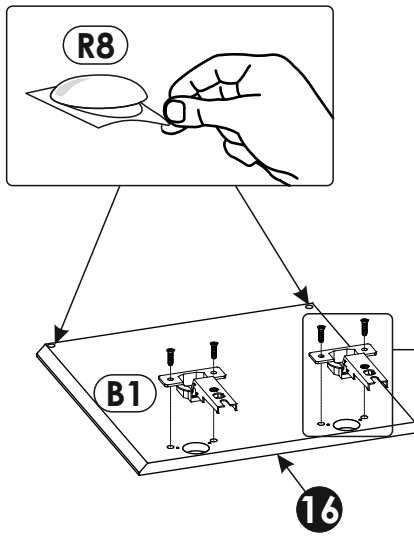
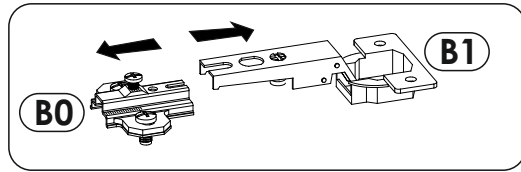
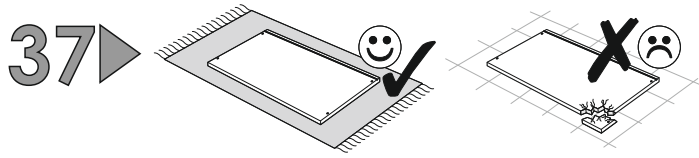


35▶

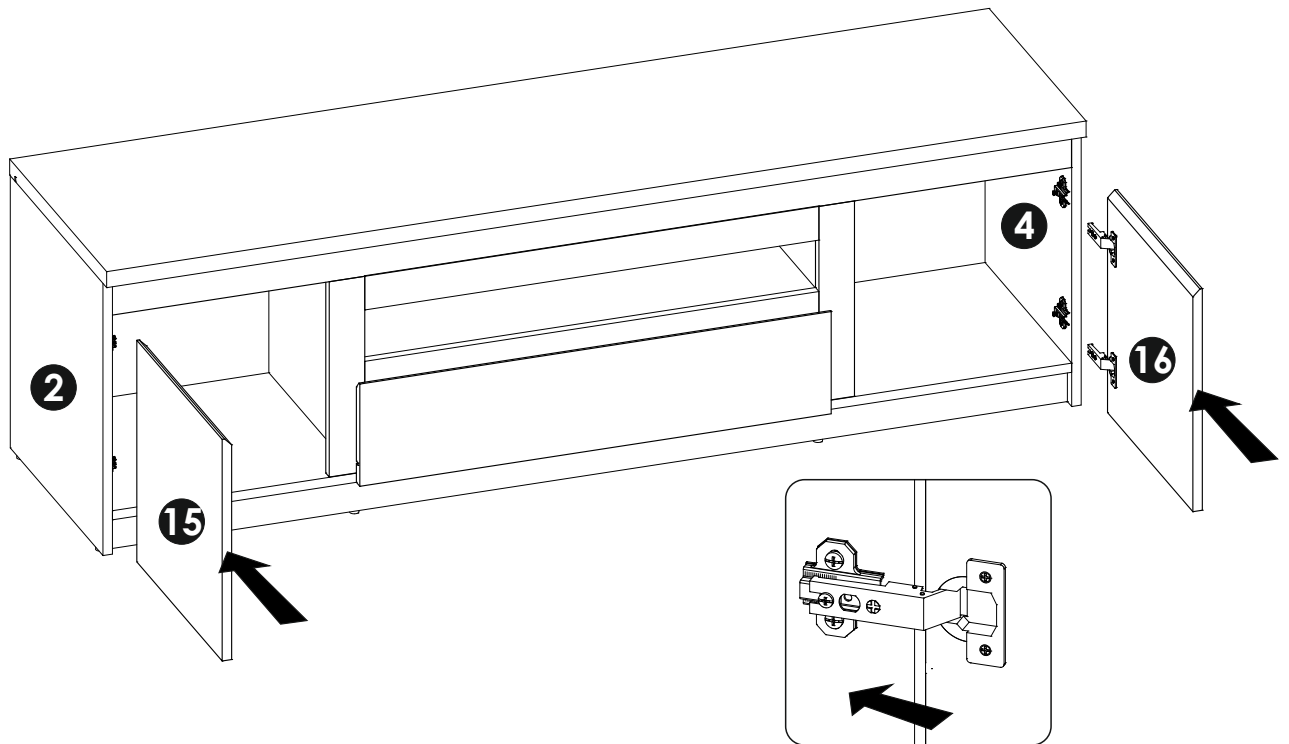


36▶

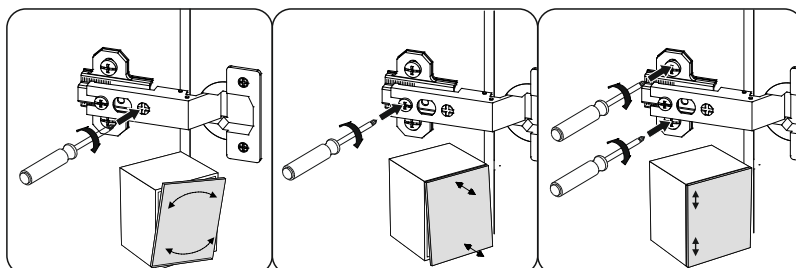
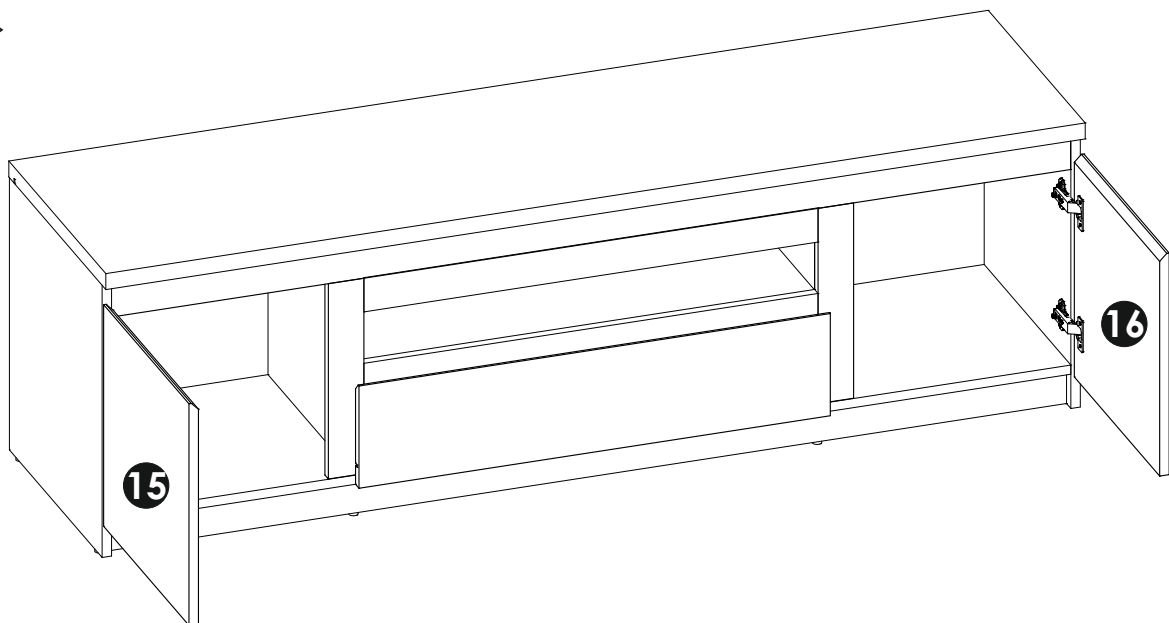




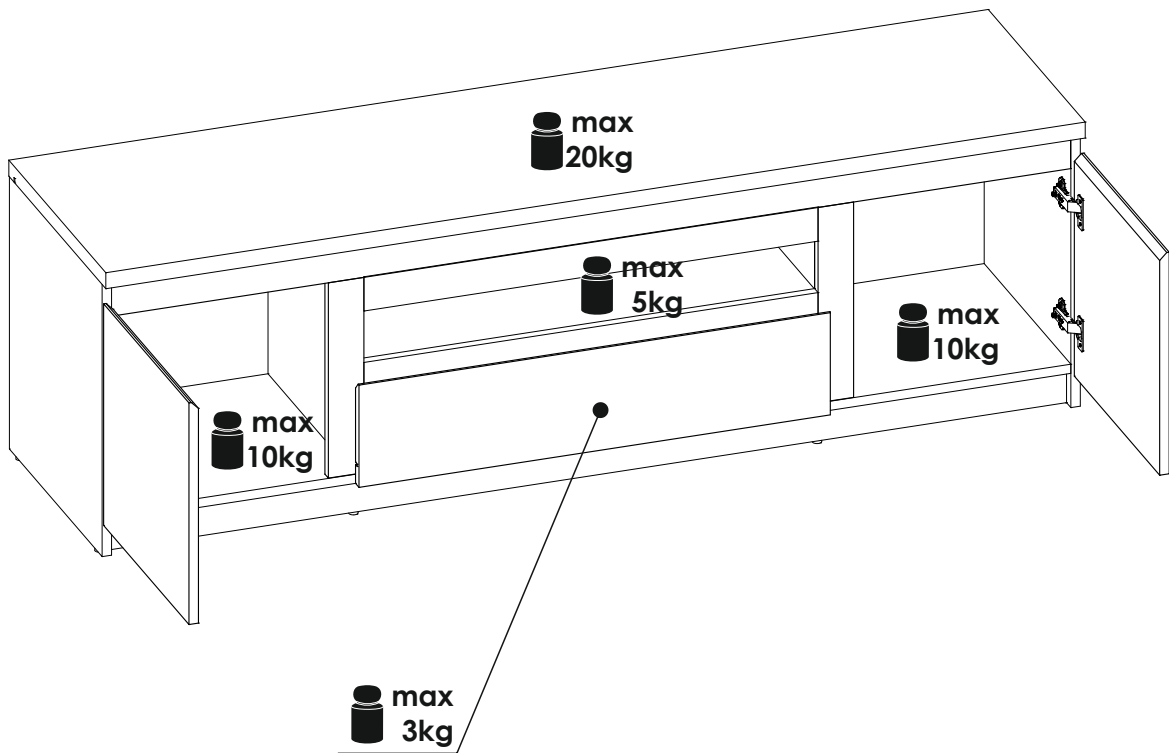
39▶

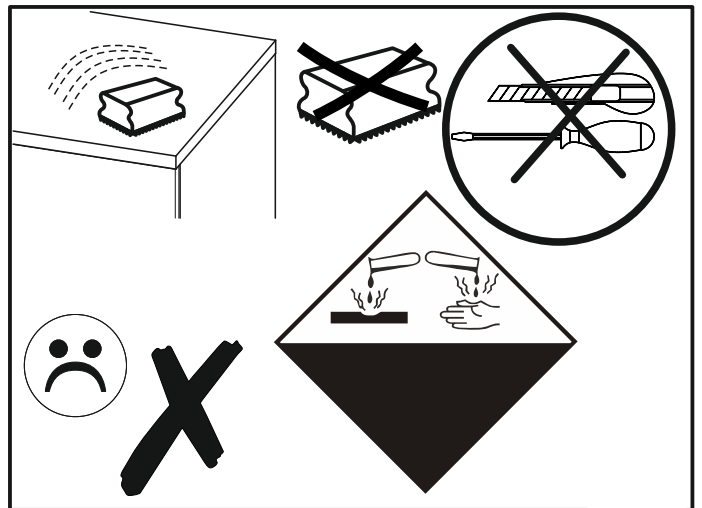
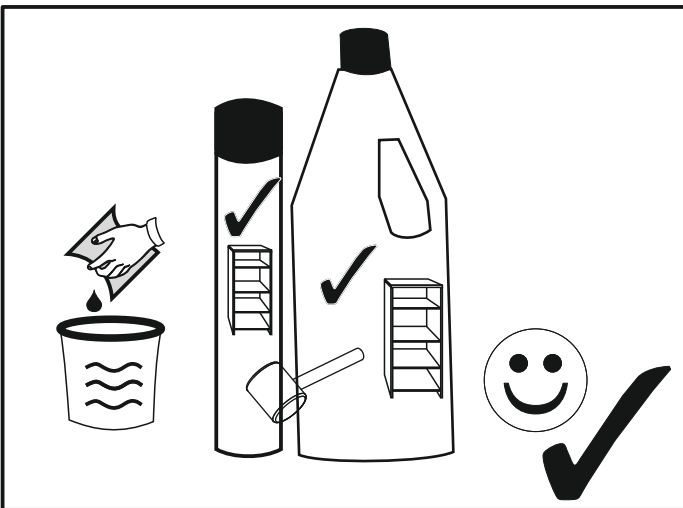
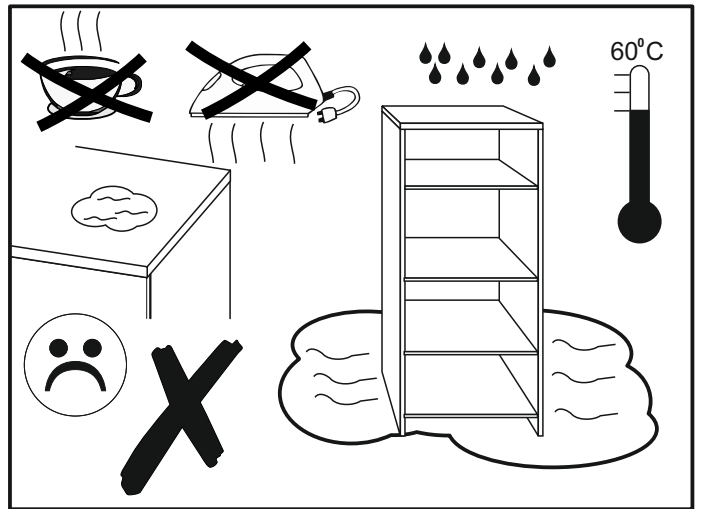
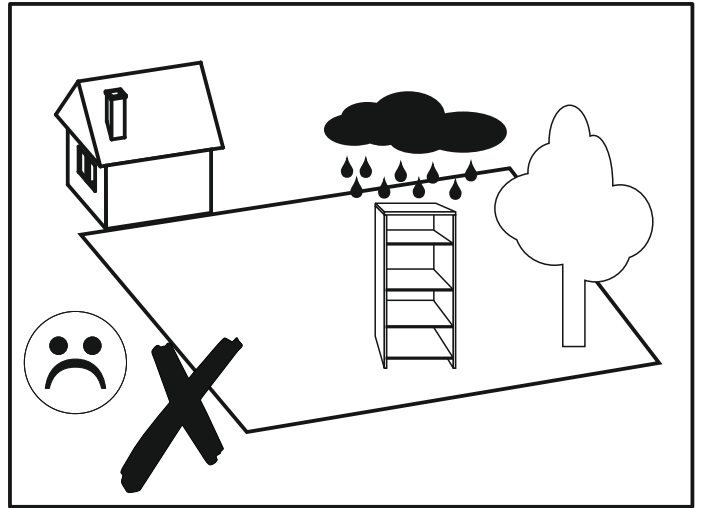


40▶



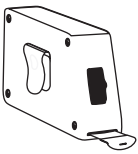
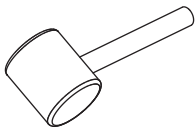
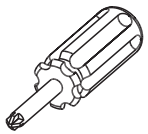
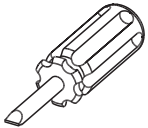
41 ▶



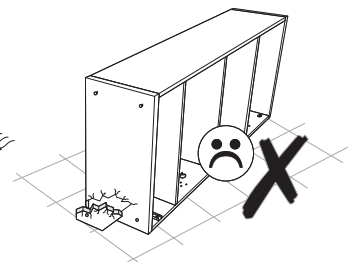
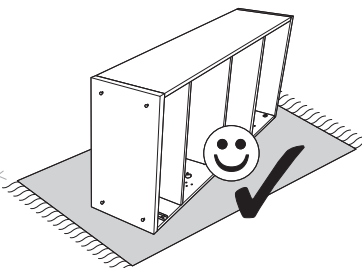
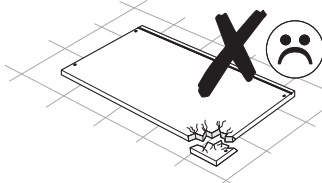
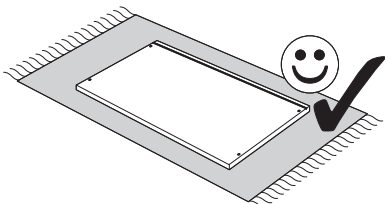
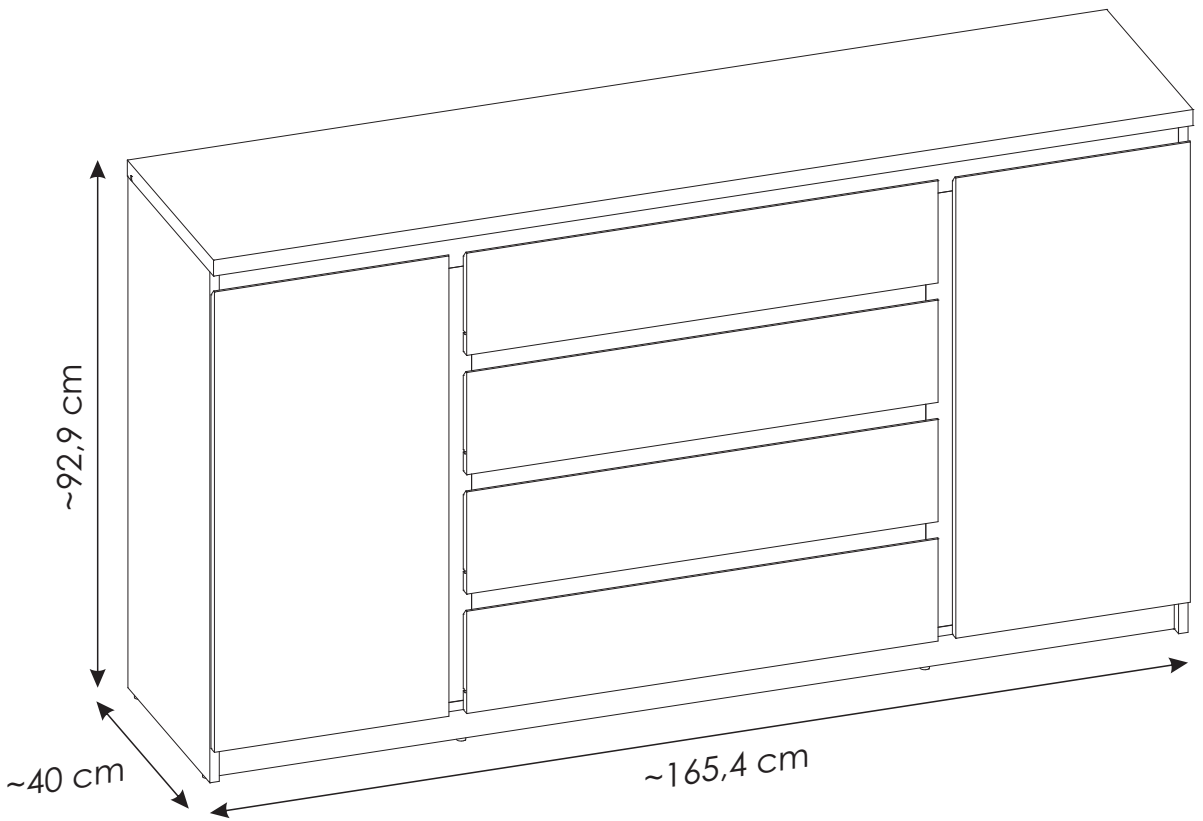


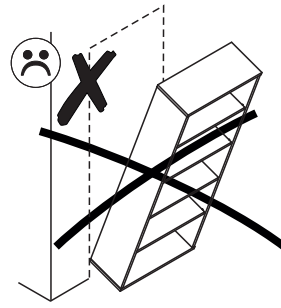
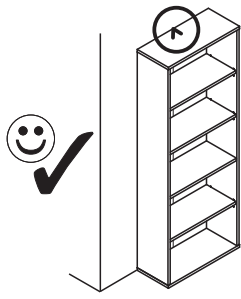


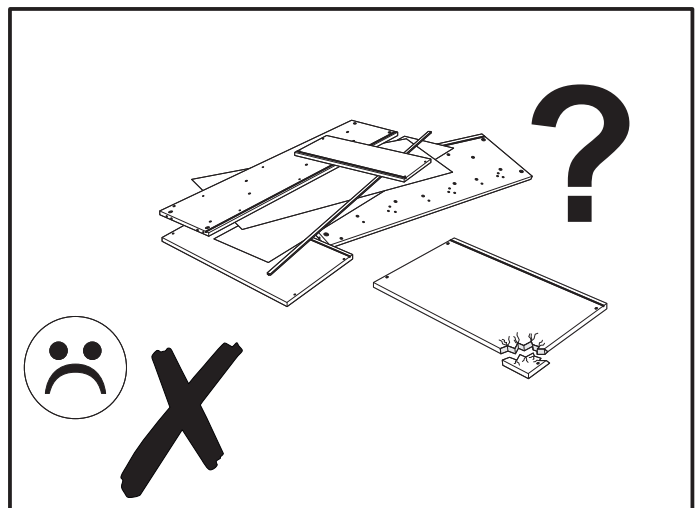
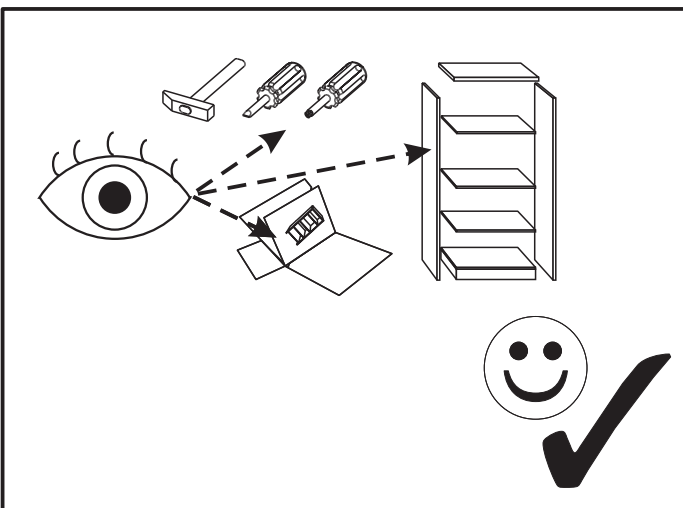
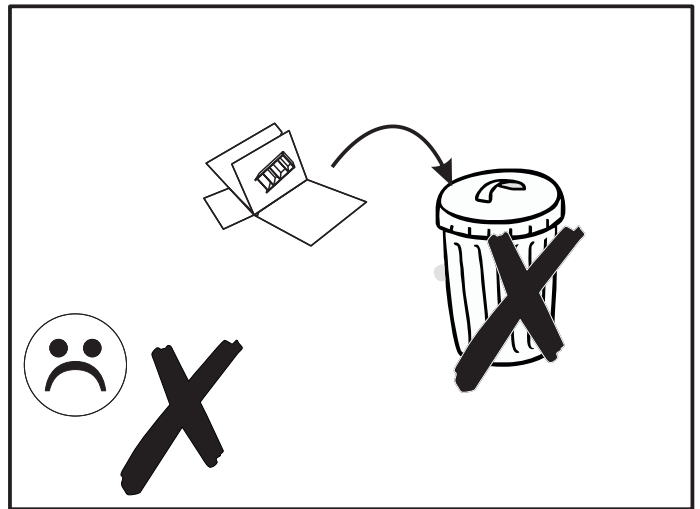
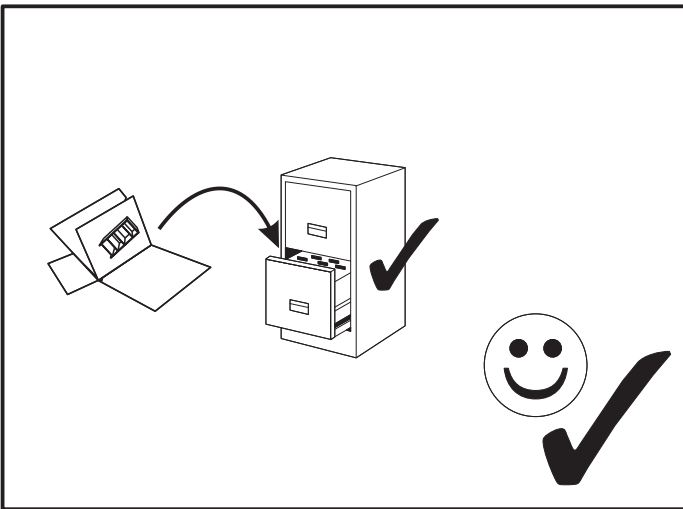
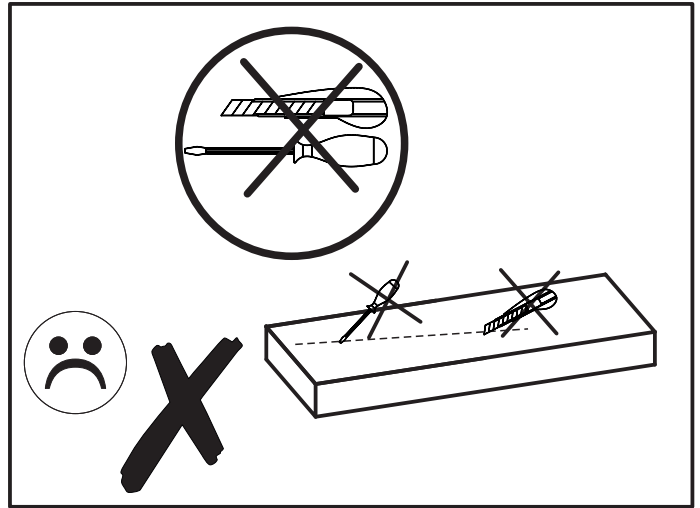
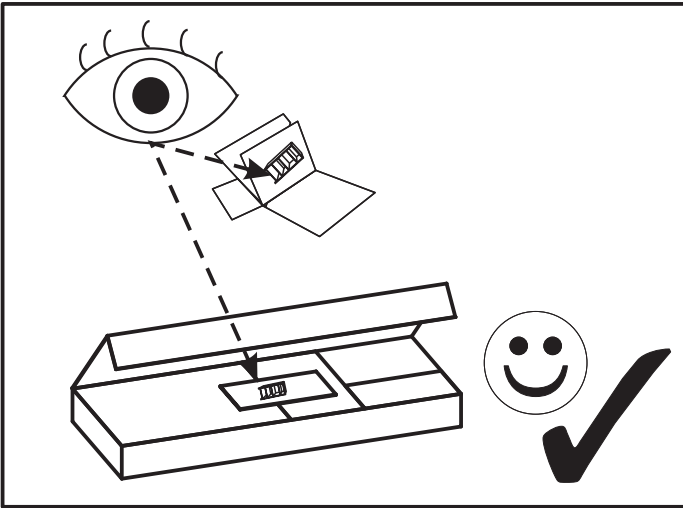
120

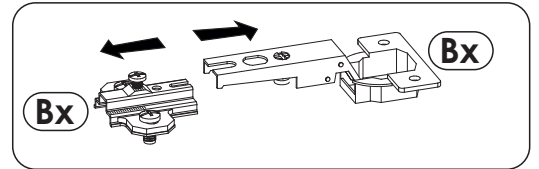
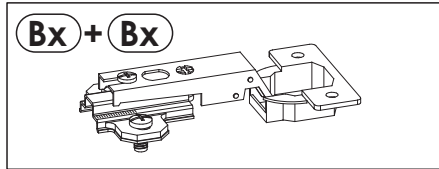
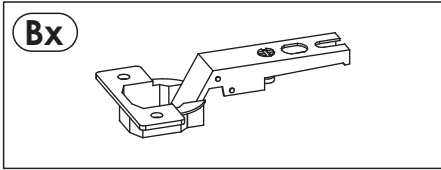
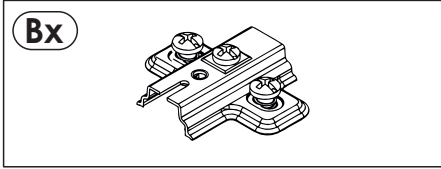


Ø8









MM

260

250

240

230

220

210

200

190

180

170

160

150

140

130

120

110

100

90

80

70

60

50


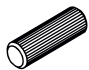
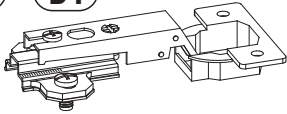





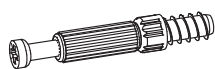
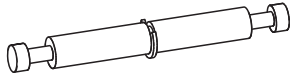


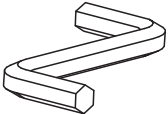
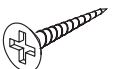
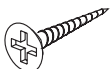
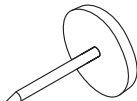
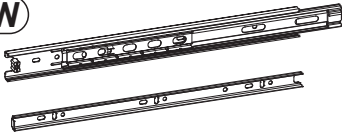
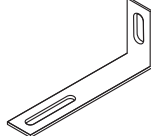
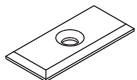
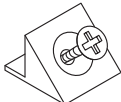
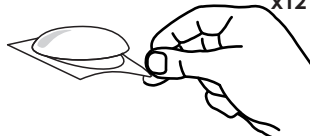
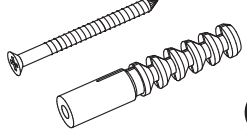
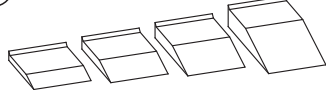
40

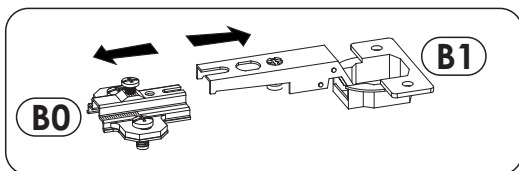
30

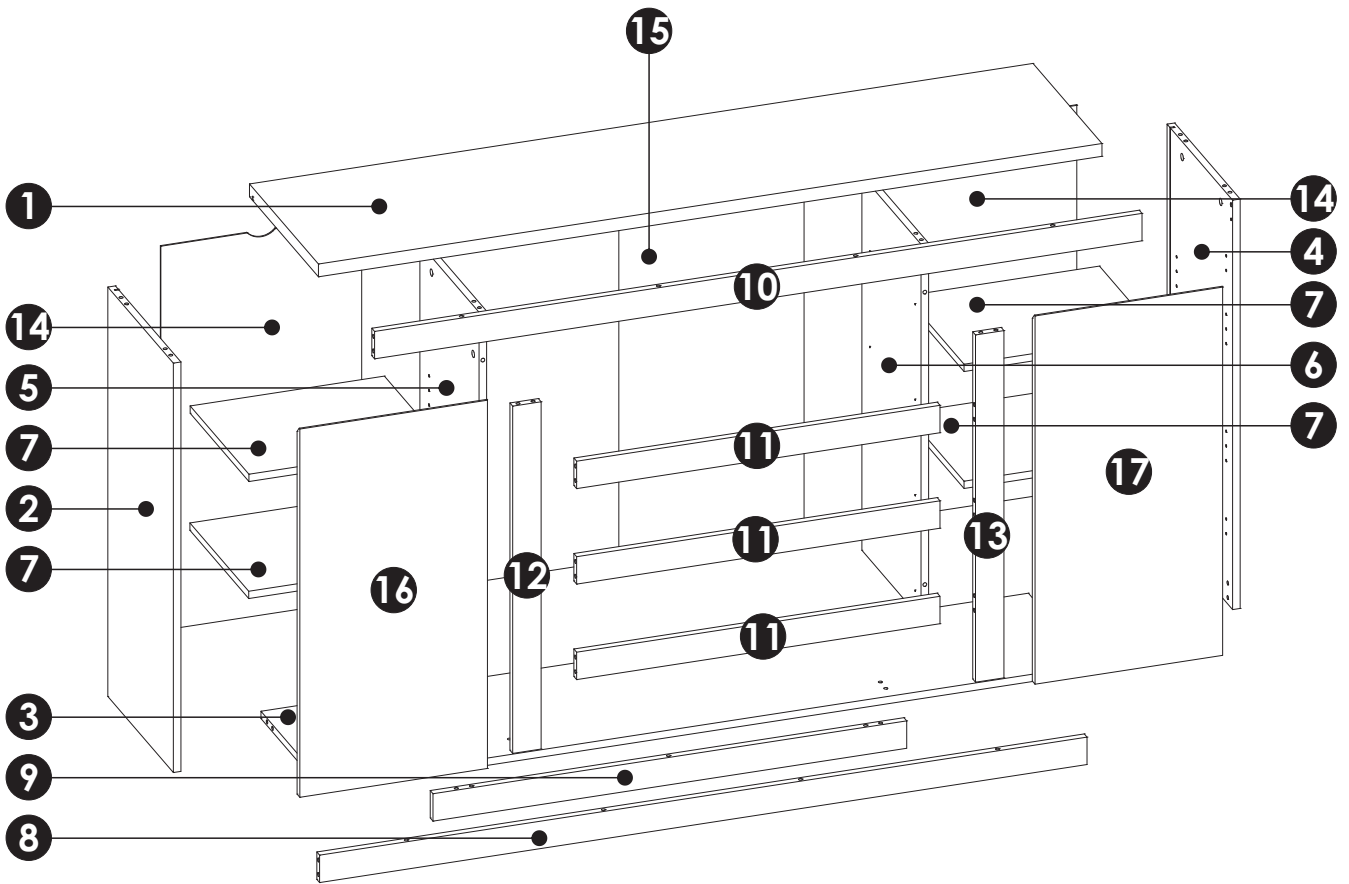
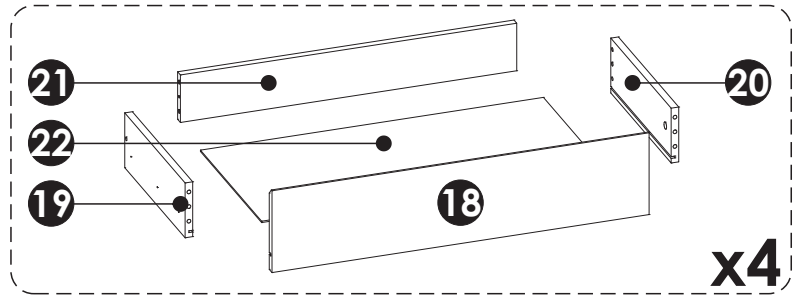
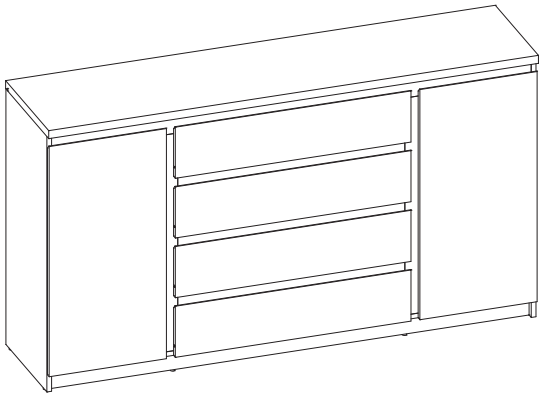
20

10

0

A1 8 x 35 mm x56 	A2 8 x 45 mm x8 	B0 + B1 x4 
C1 4 x 13 mm x8 	C2 5 x 13 mm x16 	D2 x16 
E0 Ø16 x22 	E1 15 x 12 mm x55 	F1 6 x 34 mm x39 
F3 7 x 58 mm x8 	G1 7 x 50 mm x12 	I2 4 x 16 mm x2 
M x1 	N1 3 X 16 mm x50 	N2 3,5 X 16 mm x24 
O2 x9 	PW x8 	Q9 x2 
R1 x10 	R4 x16 	R8 x12 
S13 x2  Ø8	Z x1 	

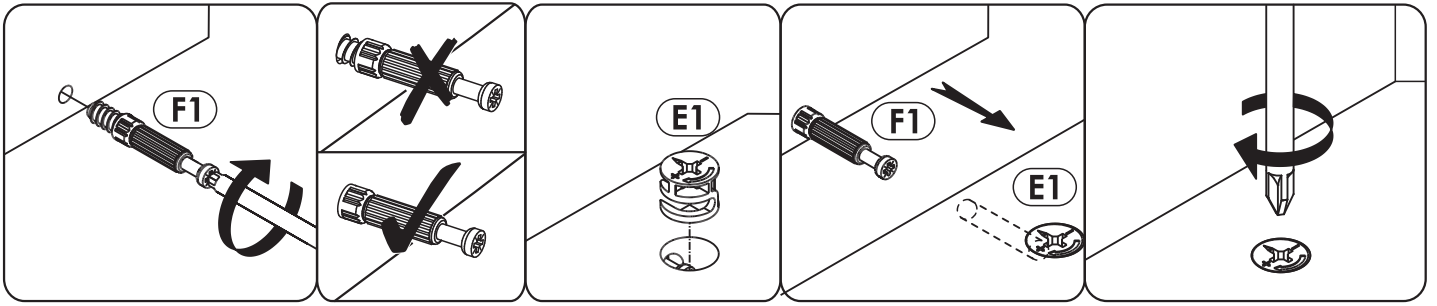




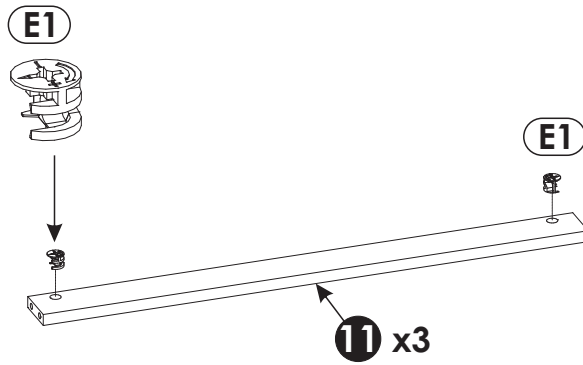
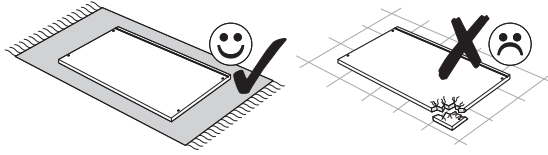
1	1654	400	28	x1	3/3
2	896	380	16	x1	2/3
3	1620	360	16	x1	3/3
4	896	380	16	x1	2/3
5	820	343	16	x1	1/3
6	820	343	16	x1	1/3
7	410	341	16	x4	2/3

8	1620	60	16	x1	3/3
9	1000	60	16	x1	1/3
10	1620	60	16	x1	3/3
11	767	60	16	x3	1/3
12	760	60	16	x1	1/3
13	760	60	16	x1	1/3
14	841	424	3	x2	2/3

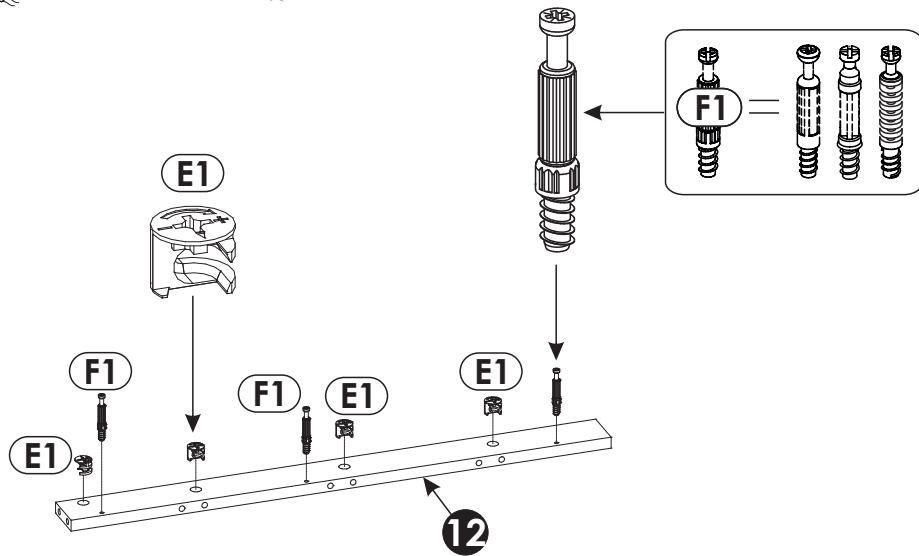
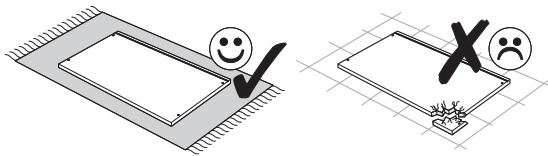
15	841	782	3	x1	2/3
16	806	396	16	x1	1/3
17	806	396	16	x1	1/3
18	796	179	16	x4	1/3
19	350	120	16	x4	3/3
20	350	120	16	x4	3/3
21	710	104	16	x4	2/3
22	724	355	3	x4	2/3



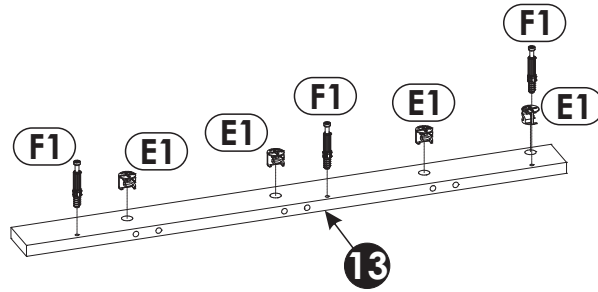
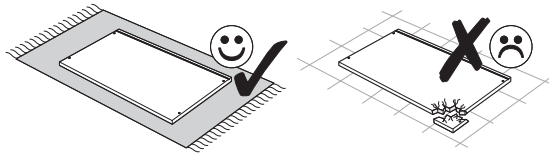
1 ▶▶



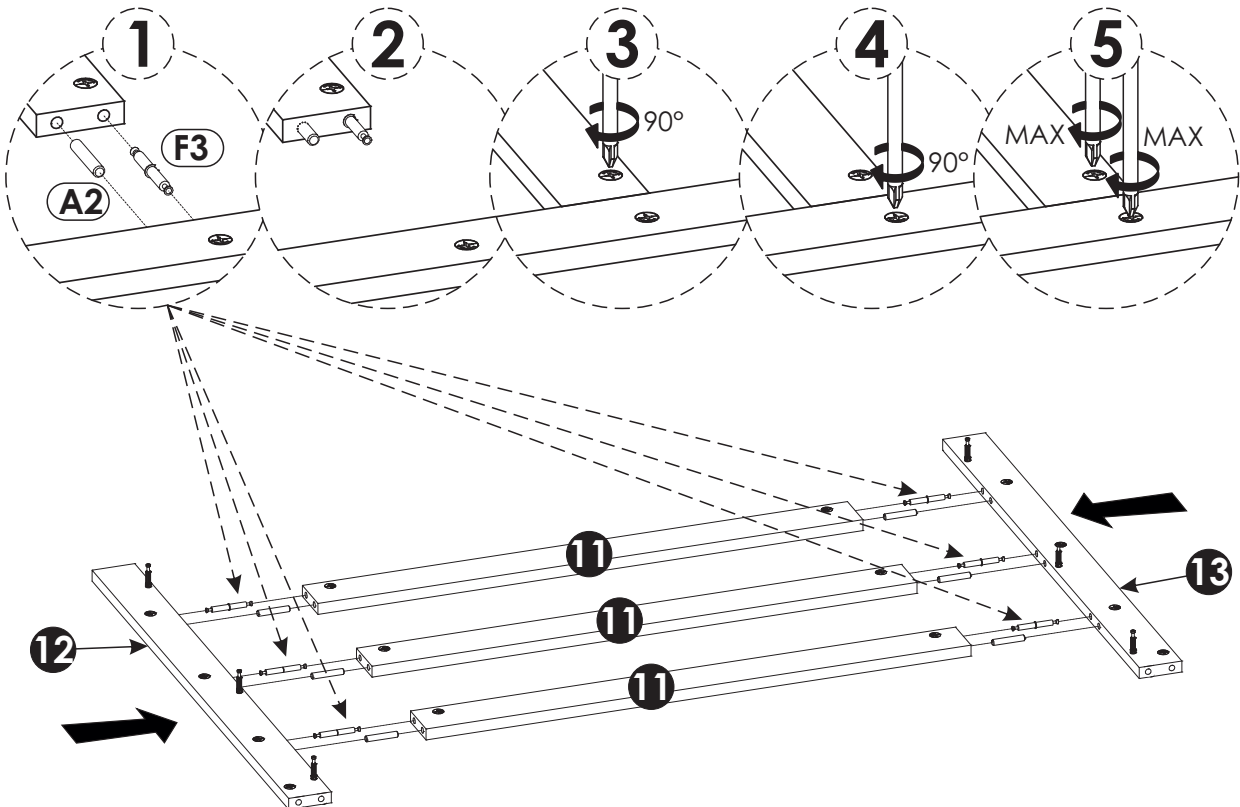
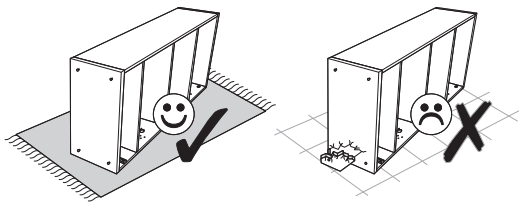
2 ▶▶



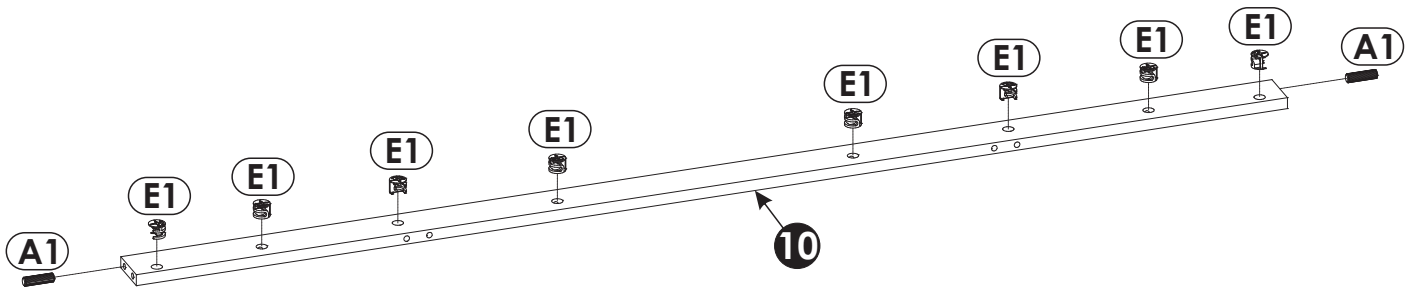
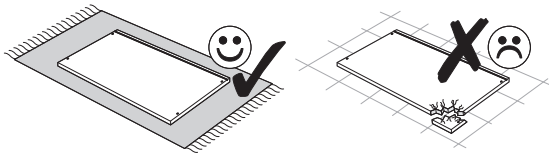
3 ▶



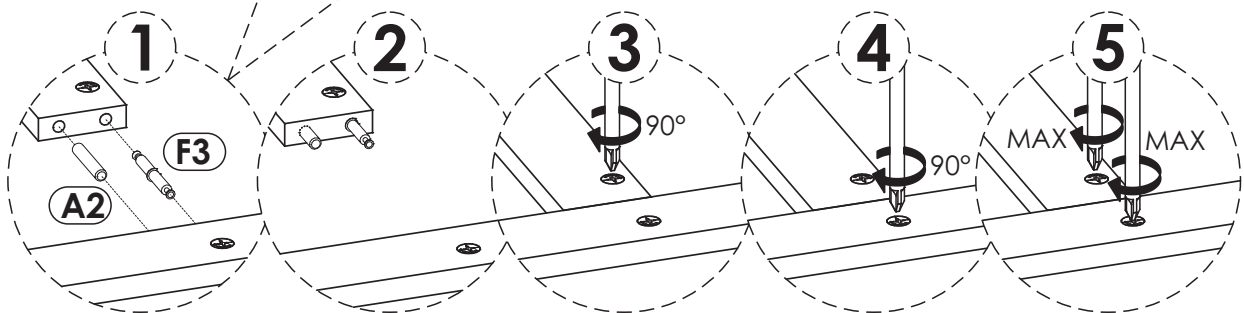
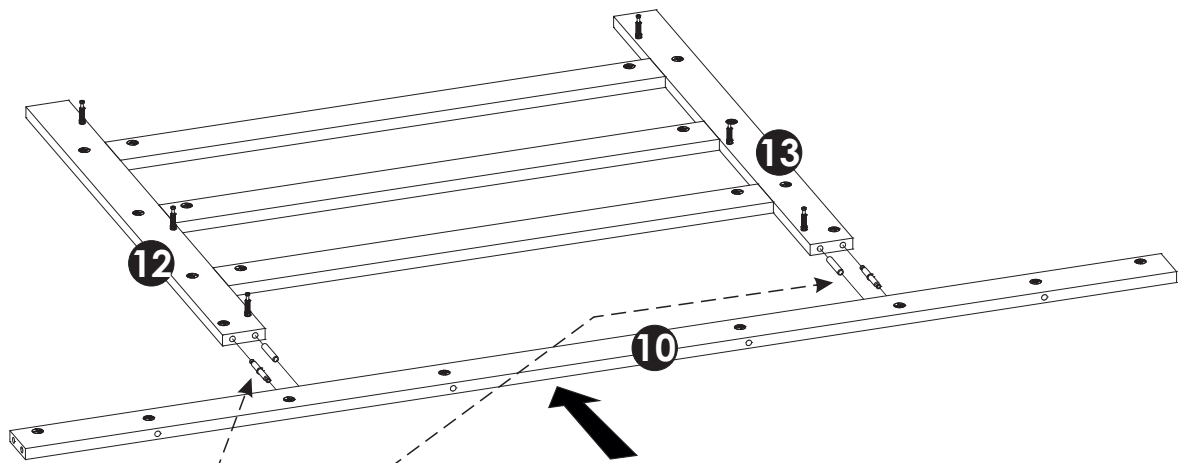
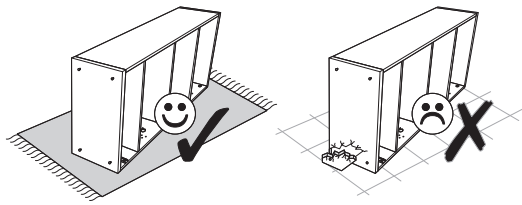
4 ▶

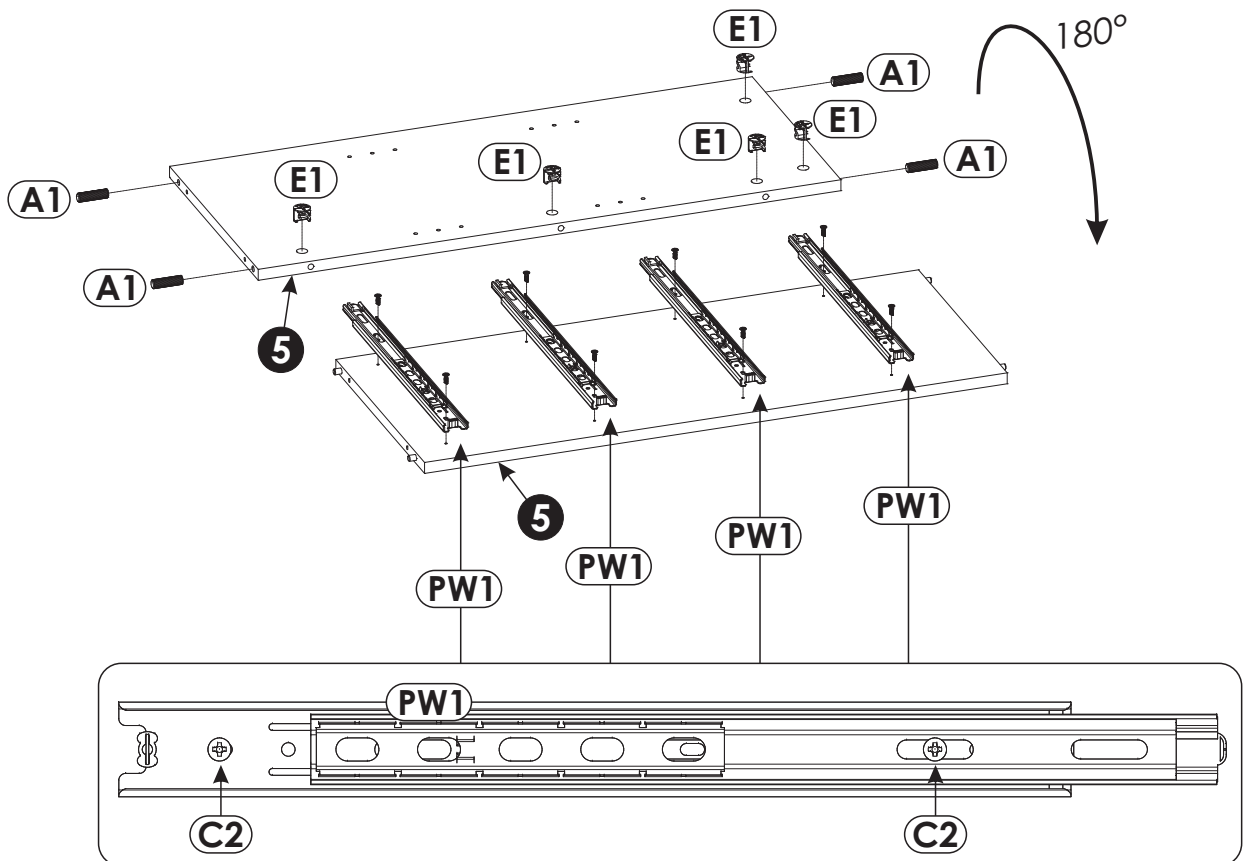
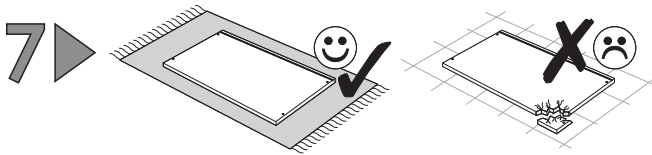
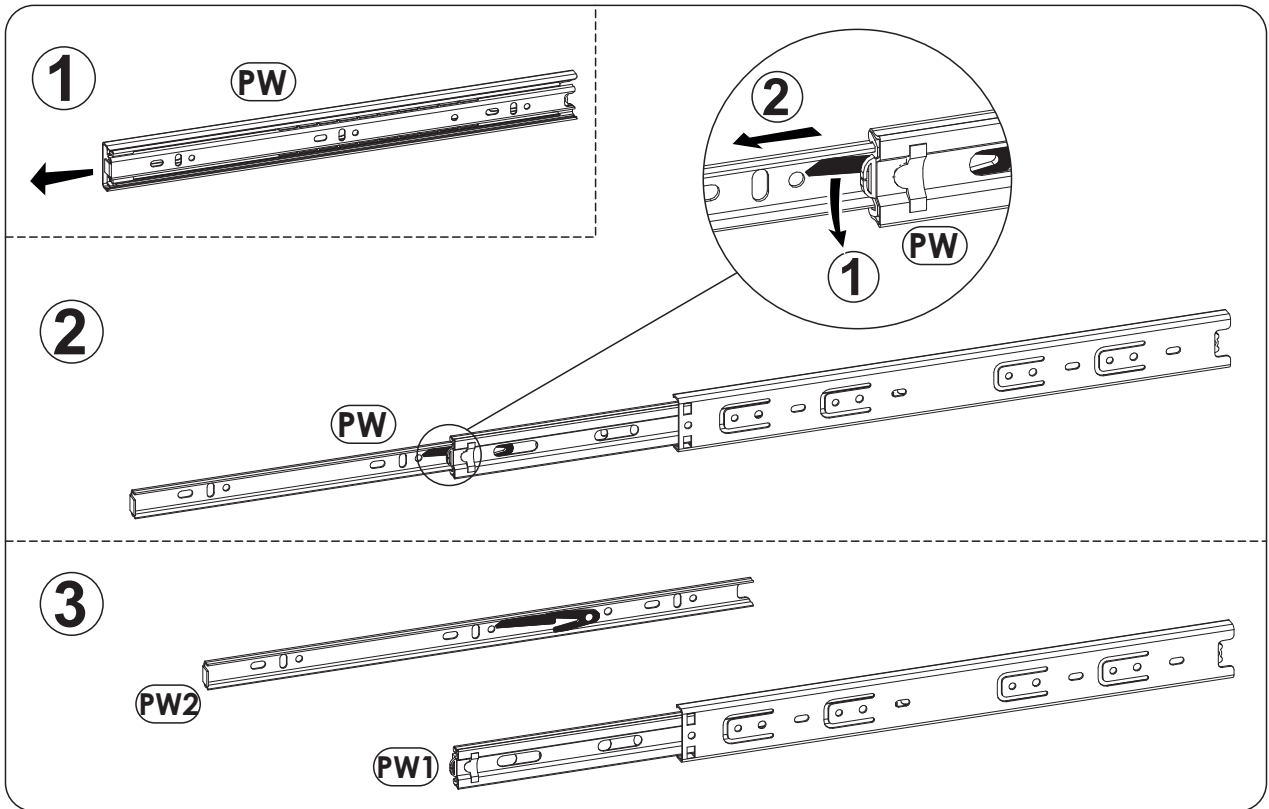


5 ▶

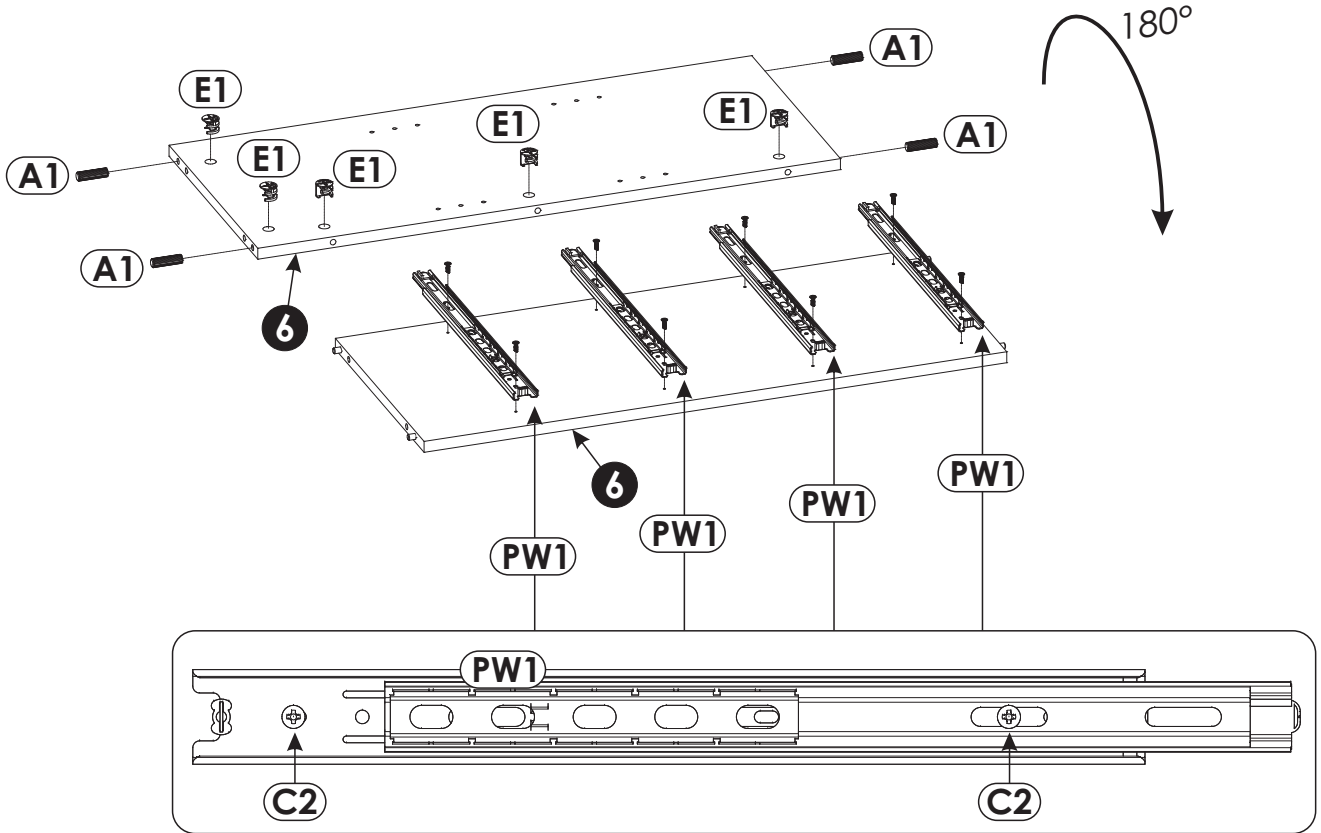
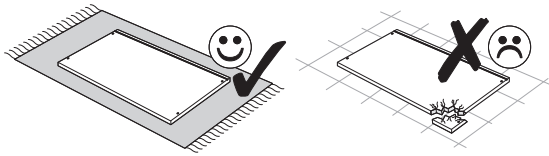


6 ▶

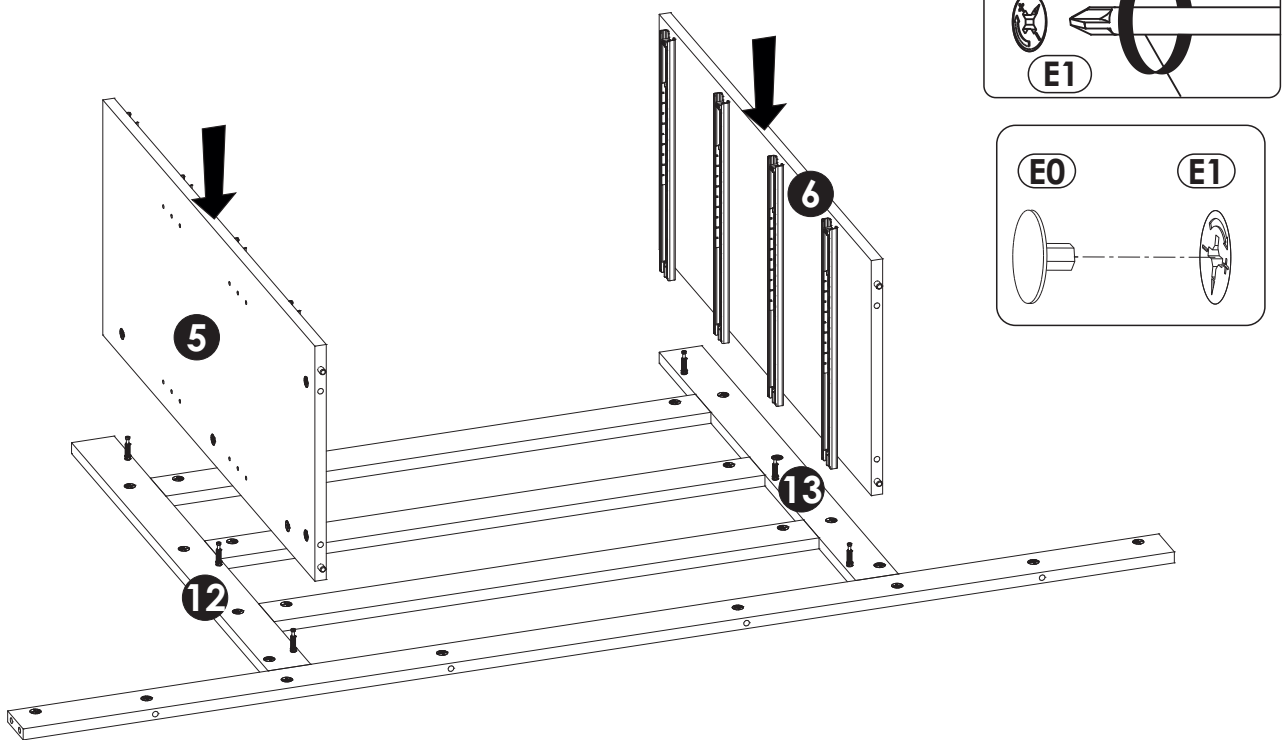
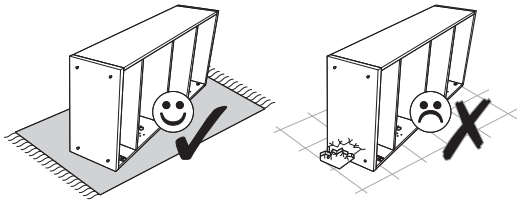




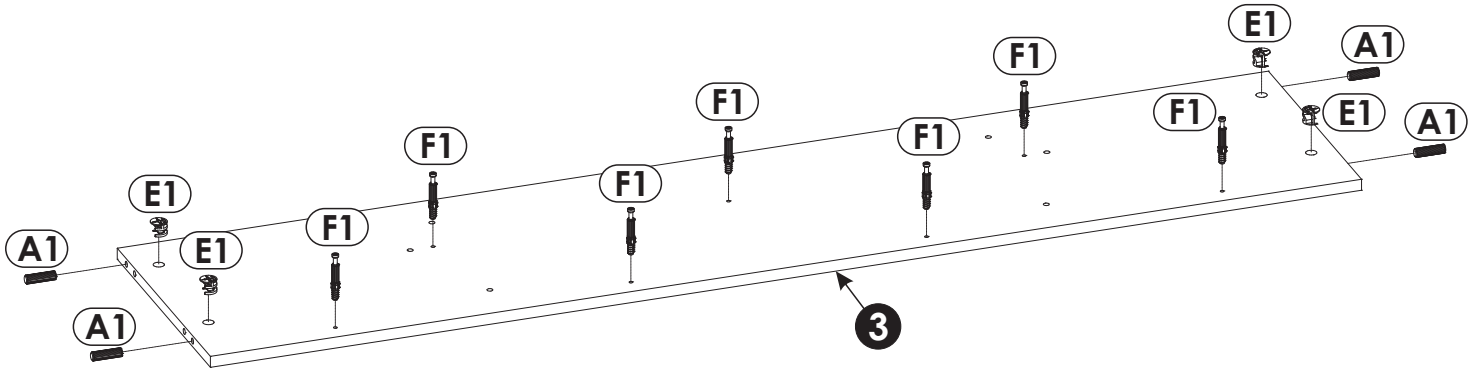
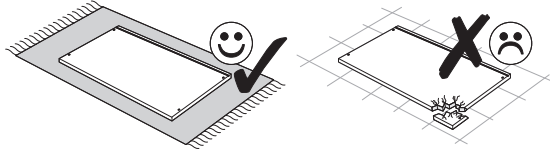
8 ▶



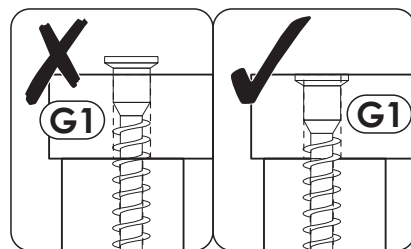
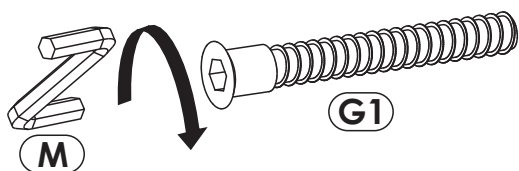
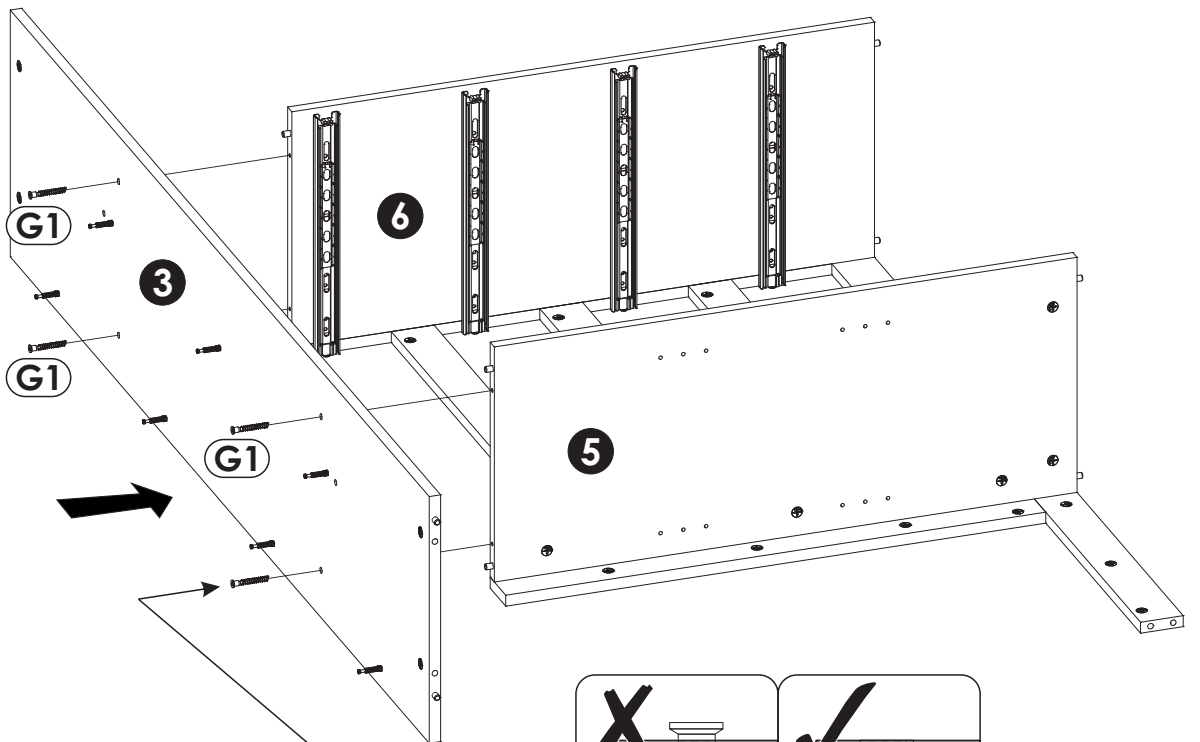
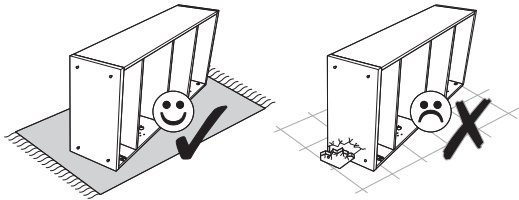
9 ▶



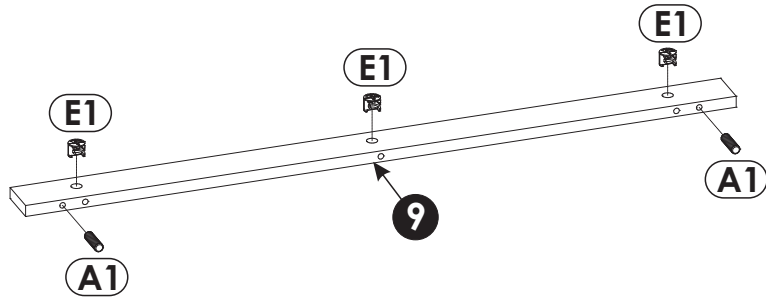
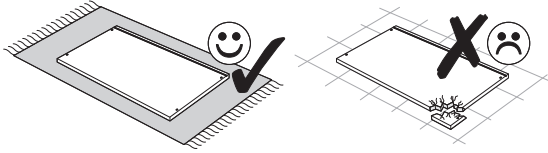
10 ▶



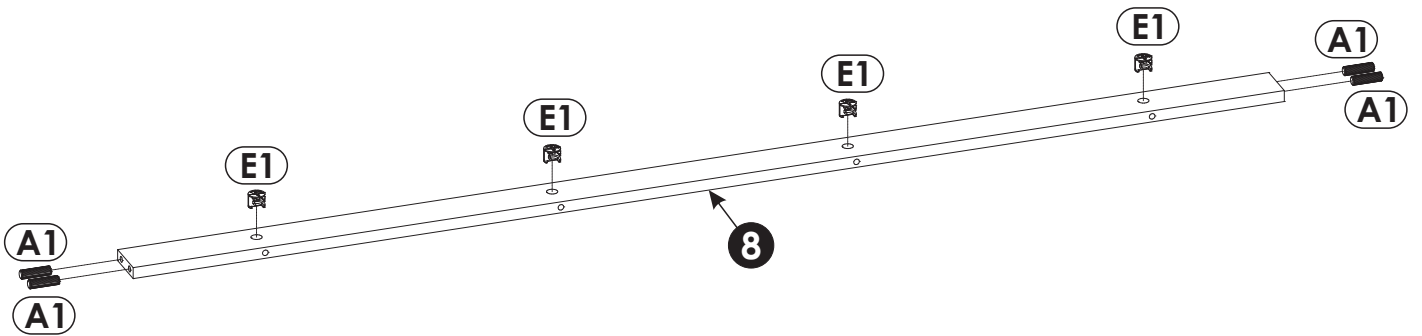
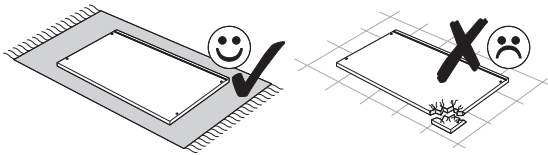
11 ▶



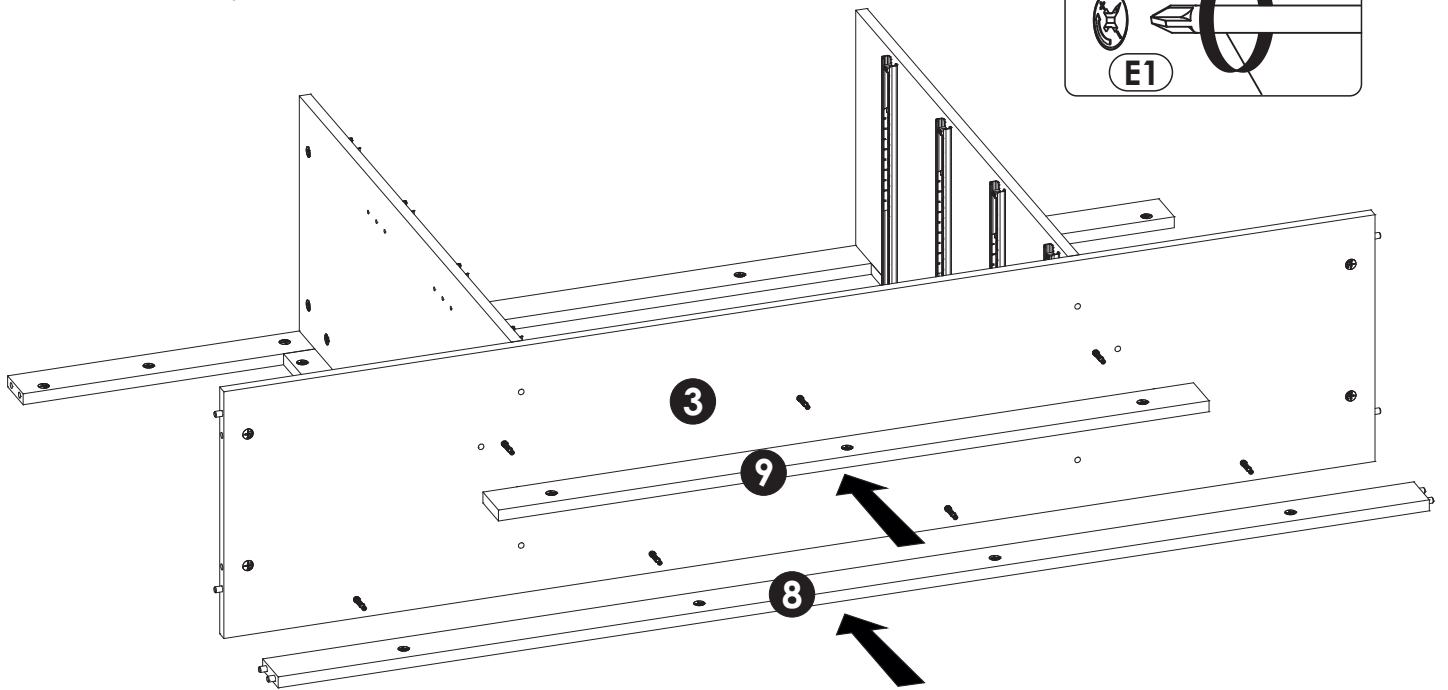
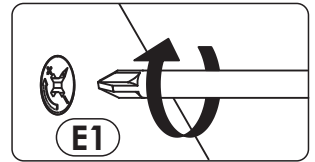
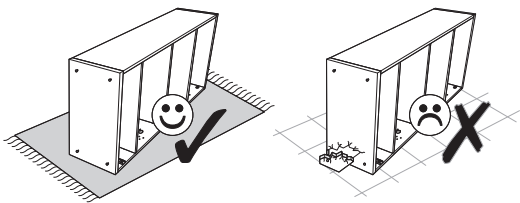
12 ▶



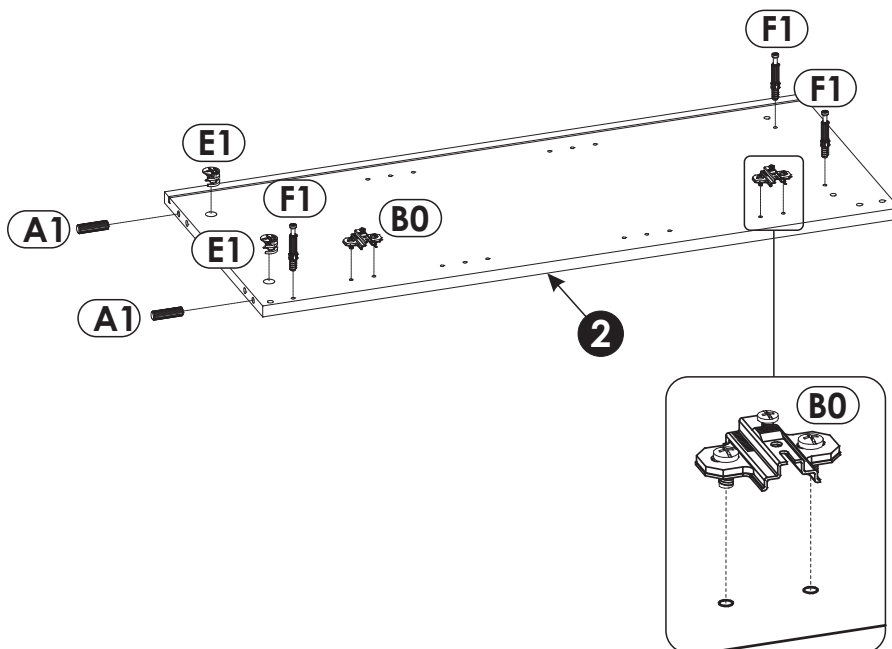
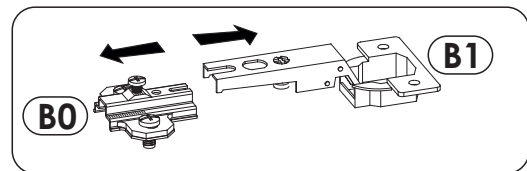
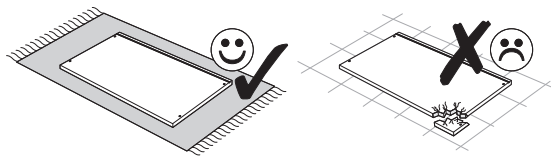
13 ▶



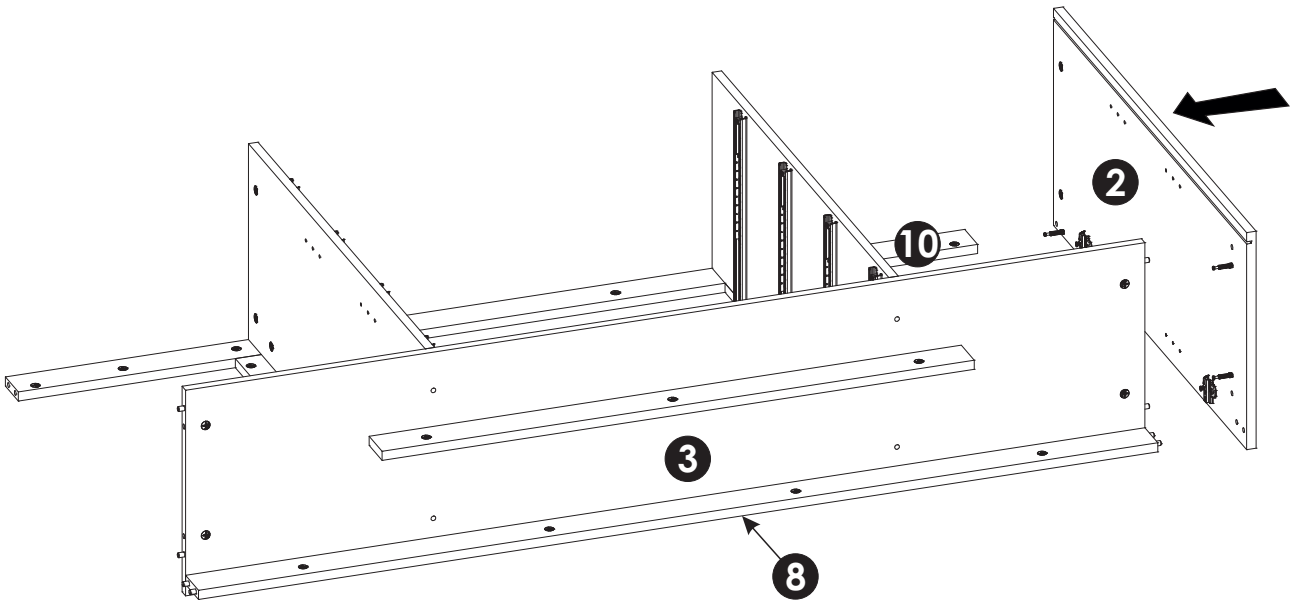
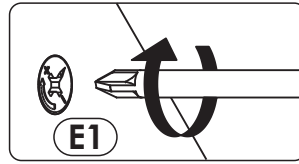
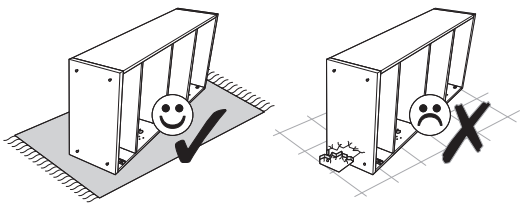
14▶



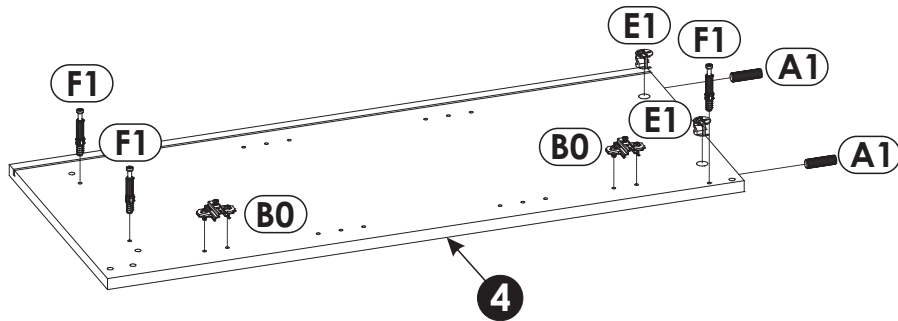
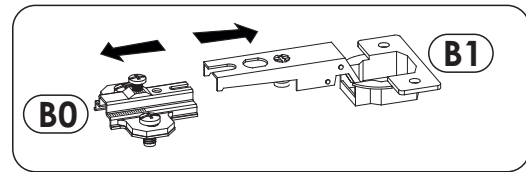
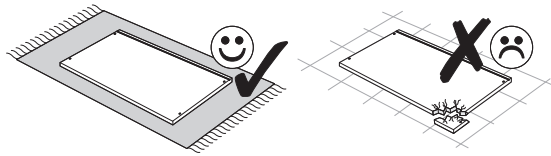
15▶



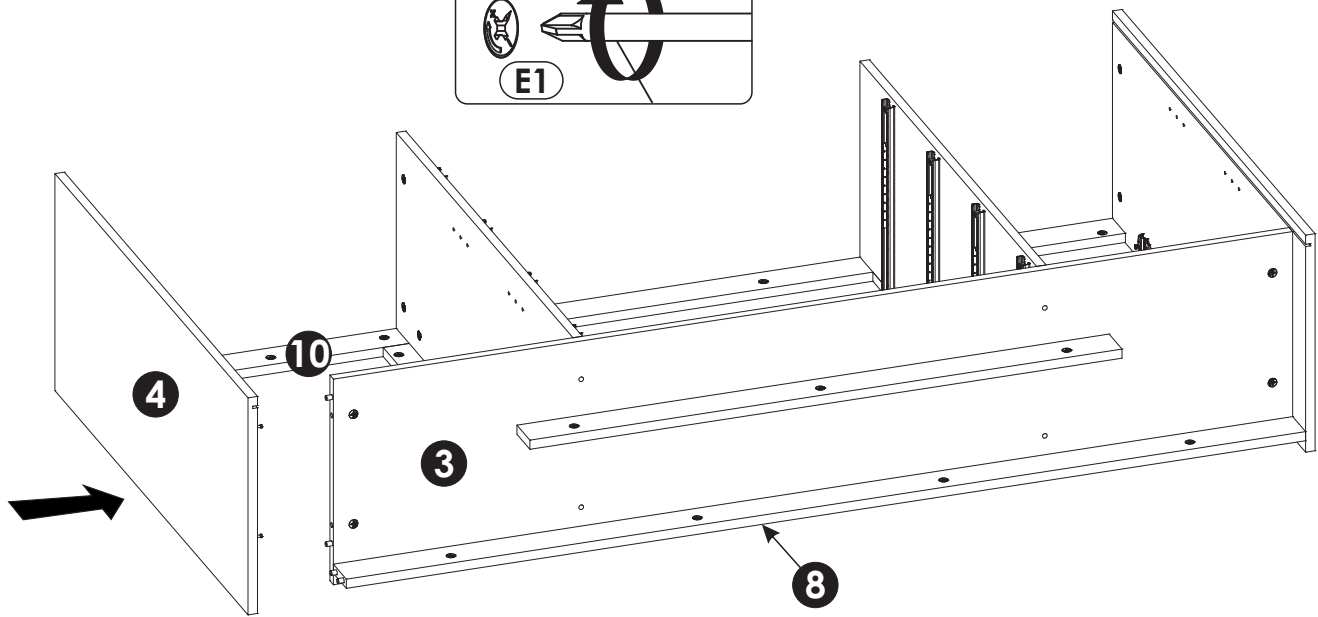
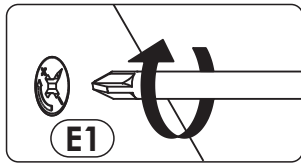
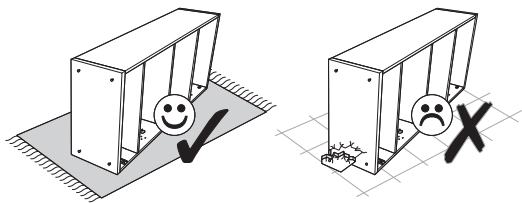
16 ▶



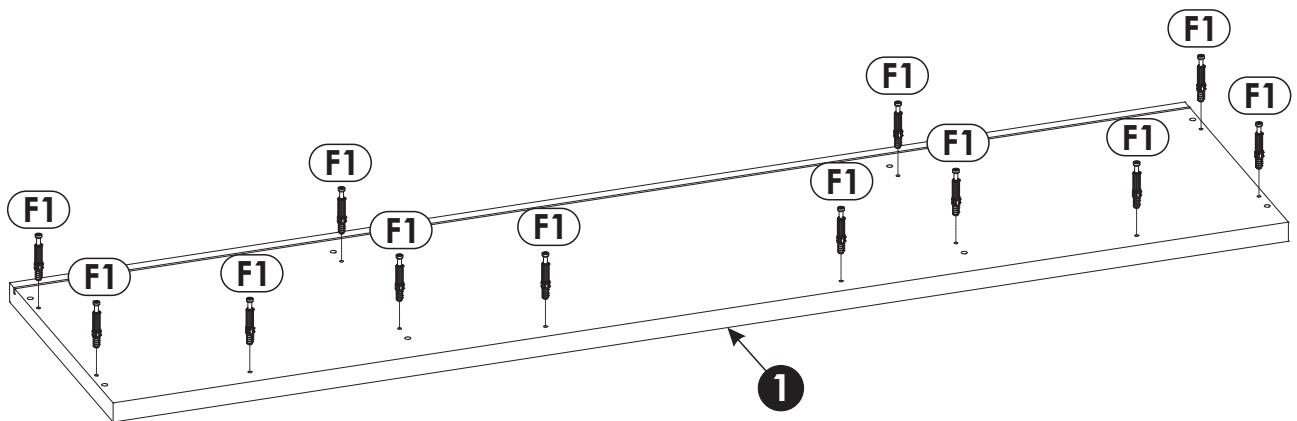
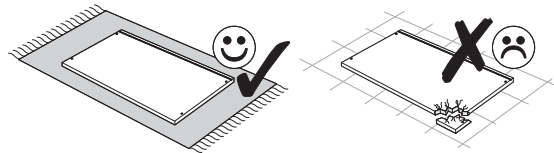
17 ▶



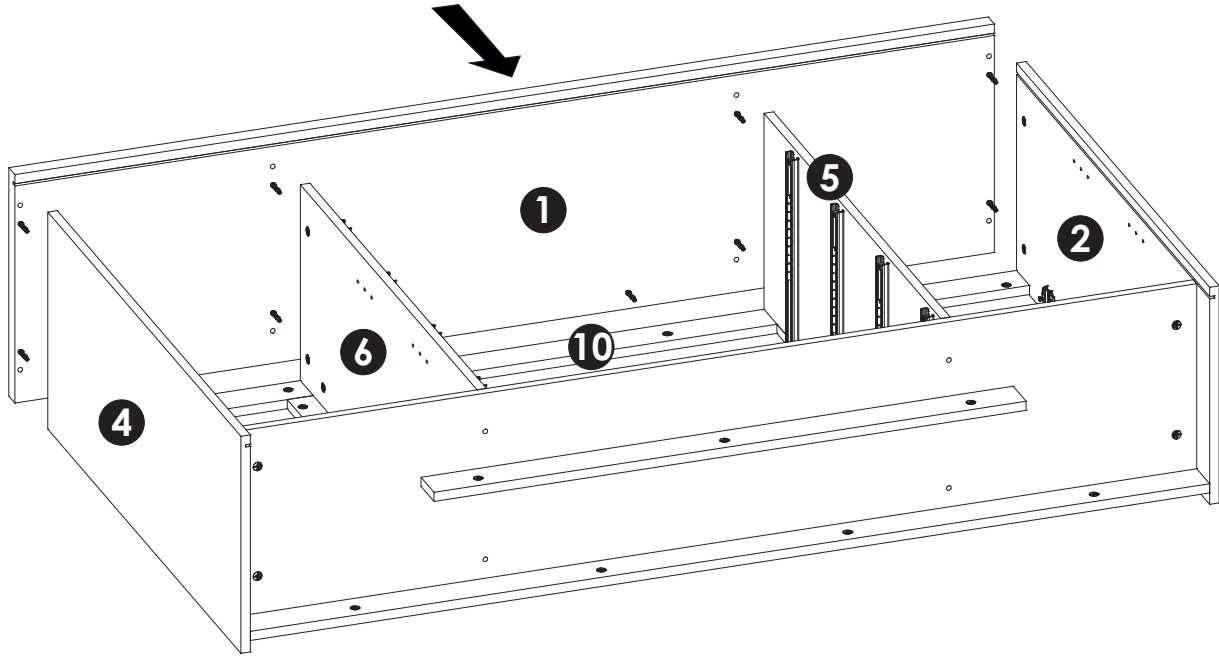
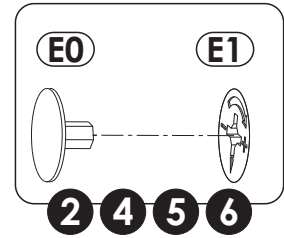
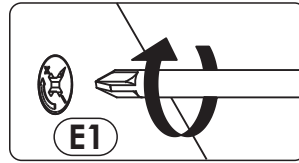
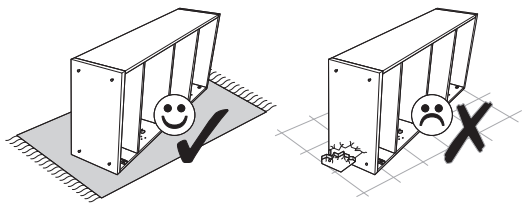
18▶



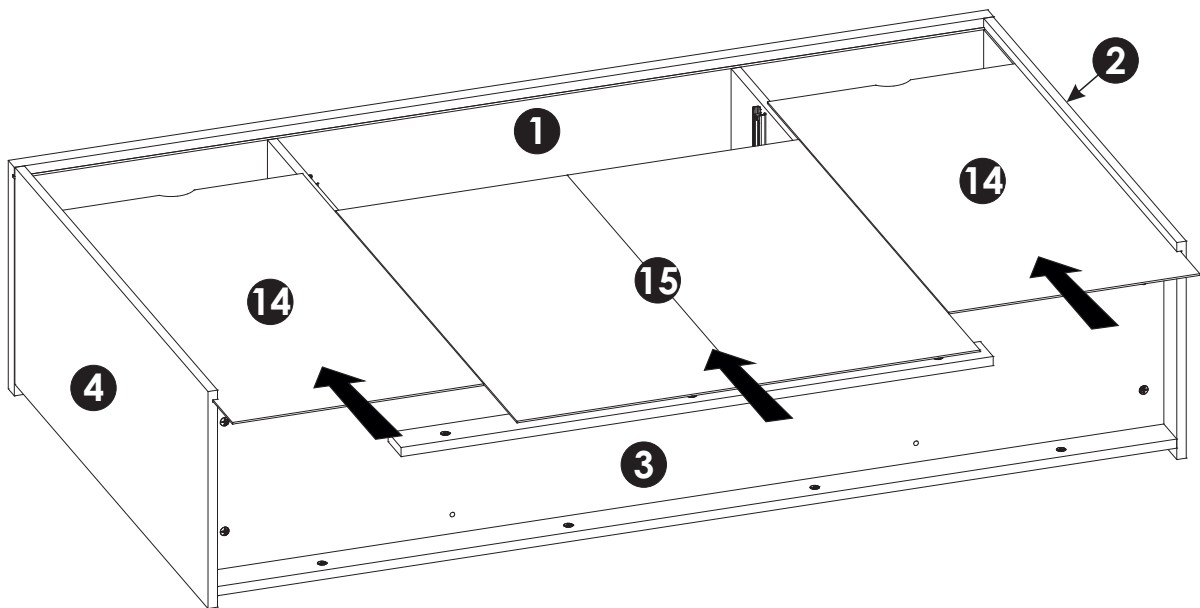
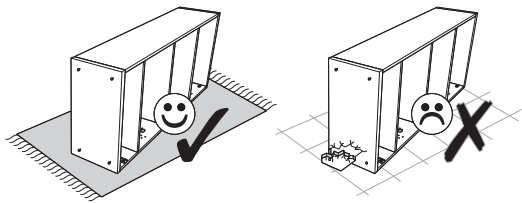
19▶



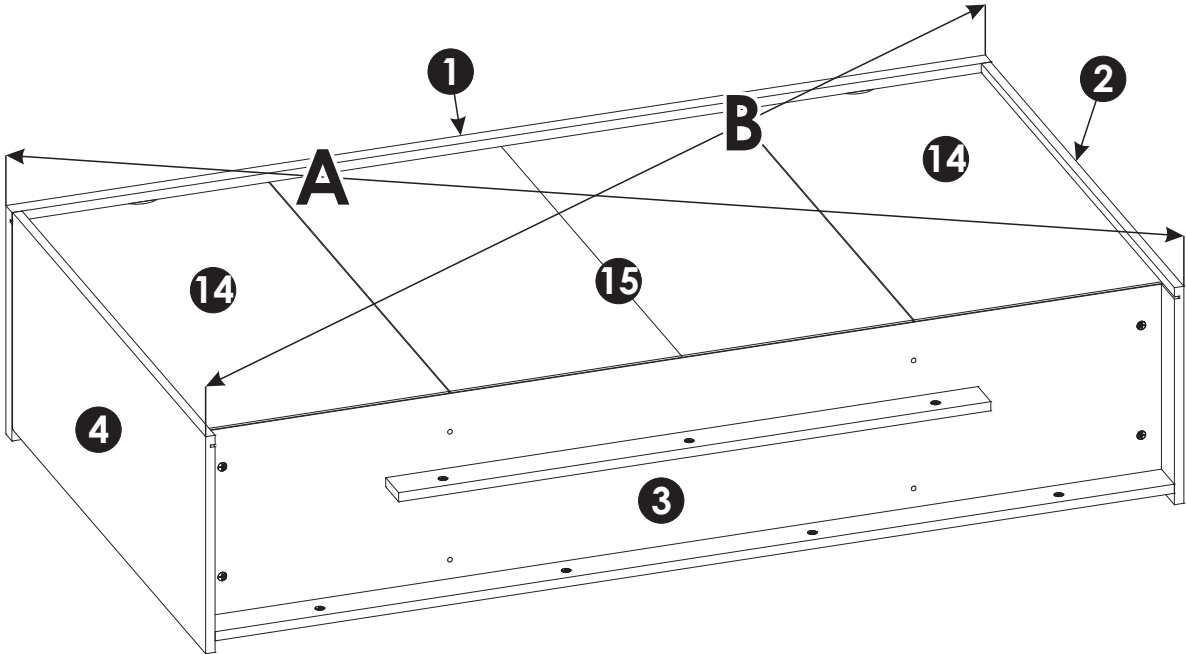
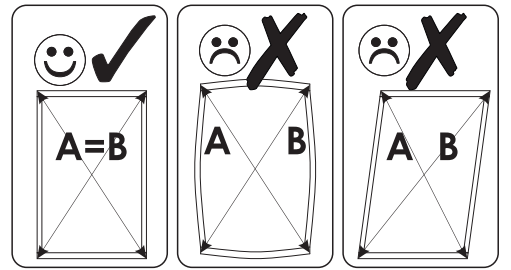
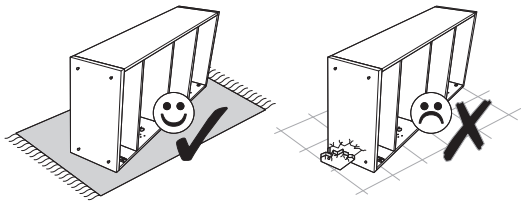
20 ▶▶



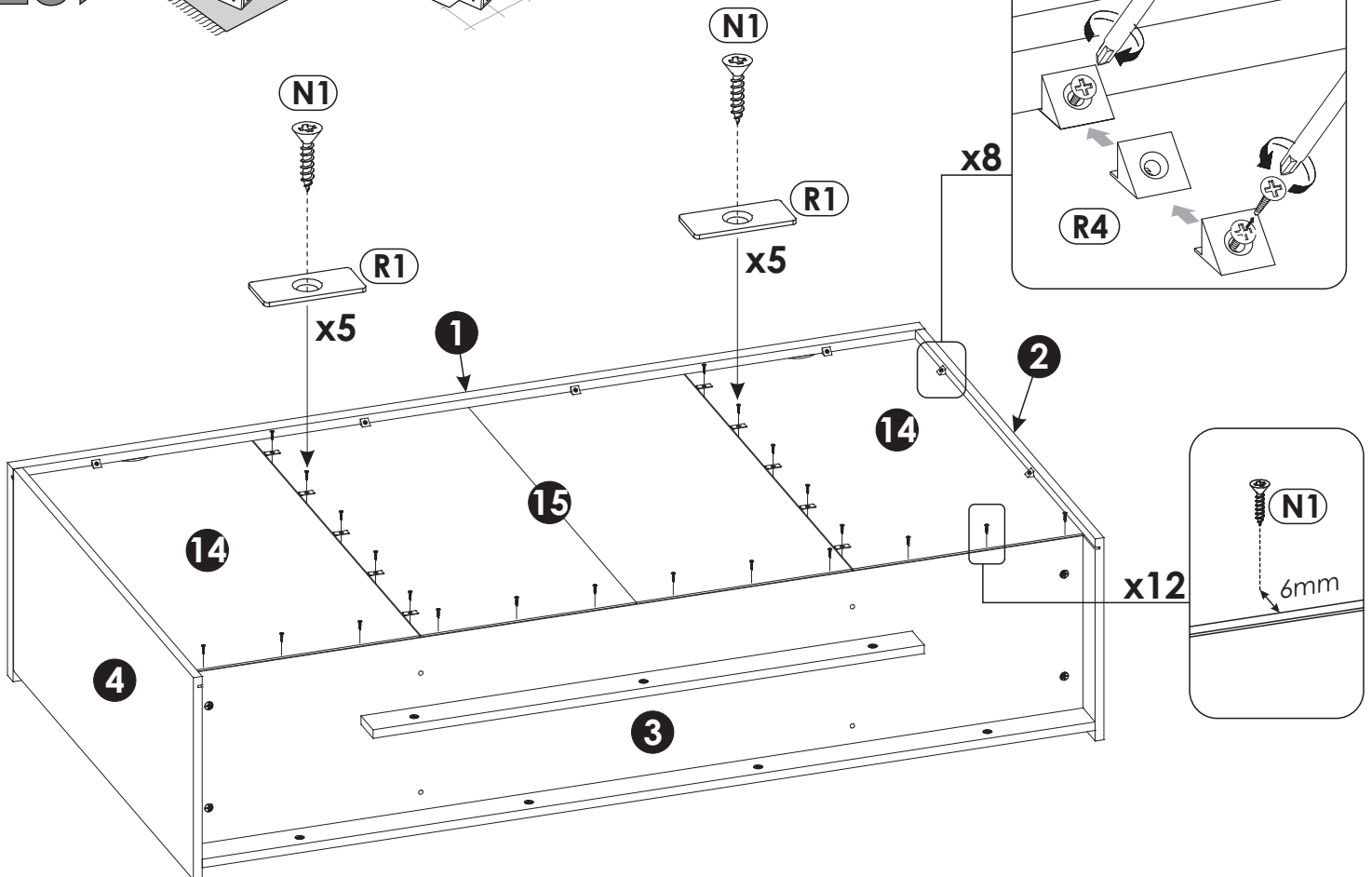
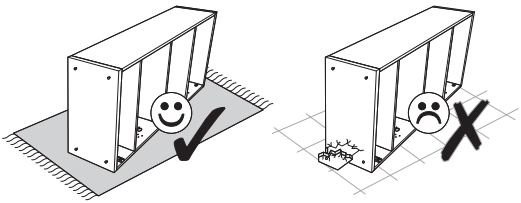
21 ▶▶



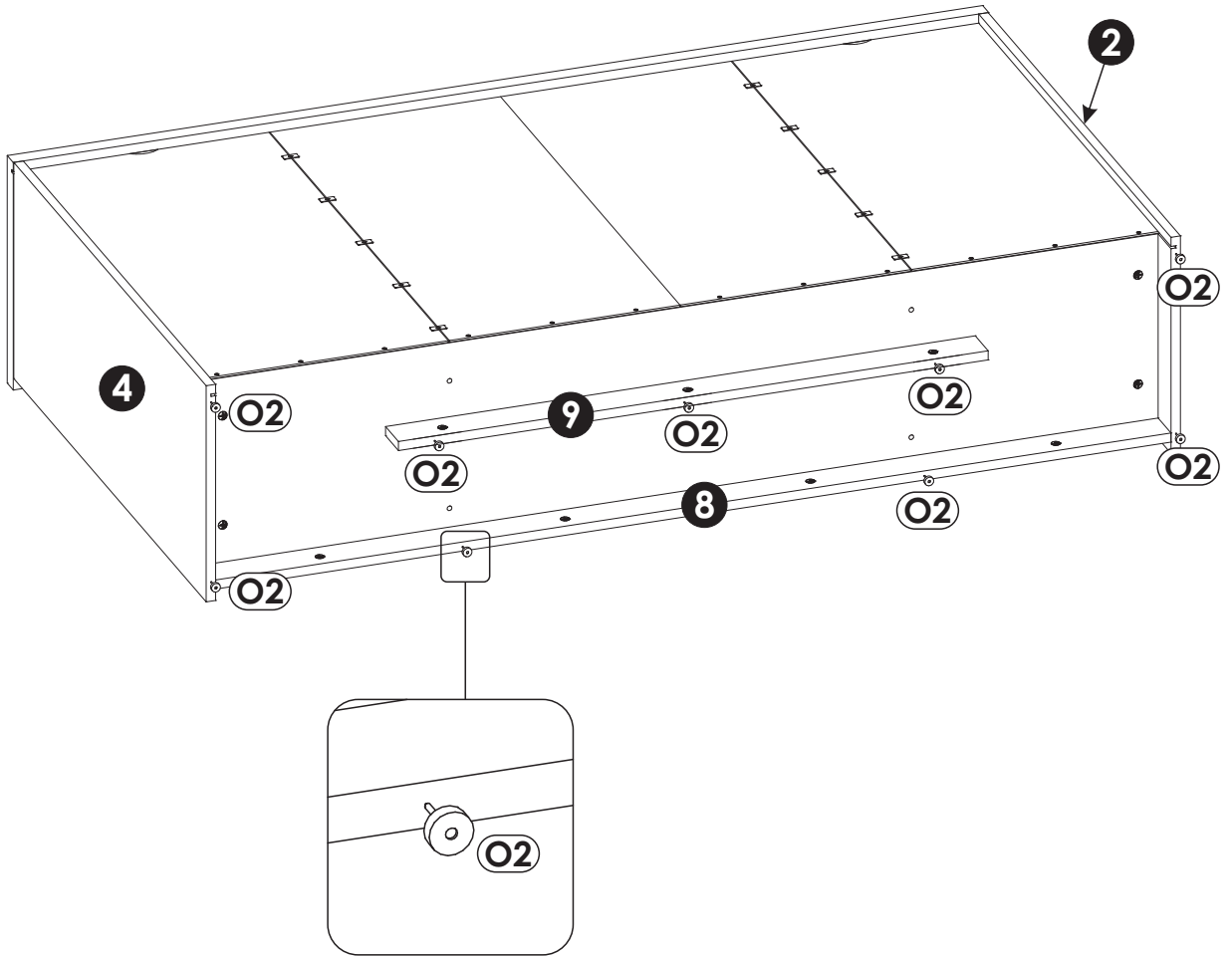
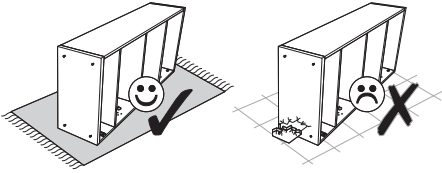
22 ▶

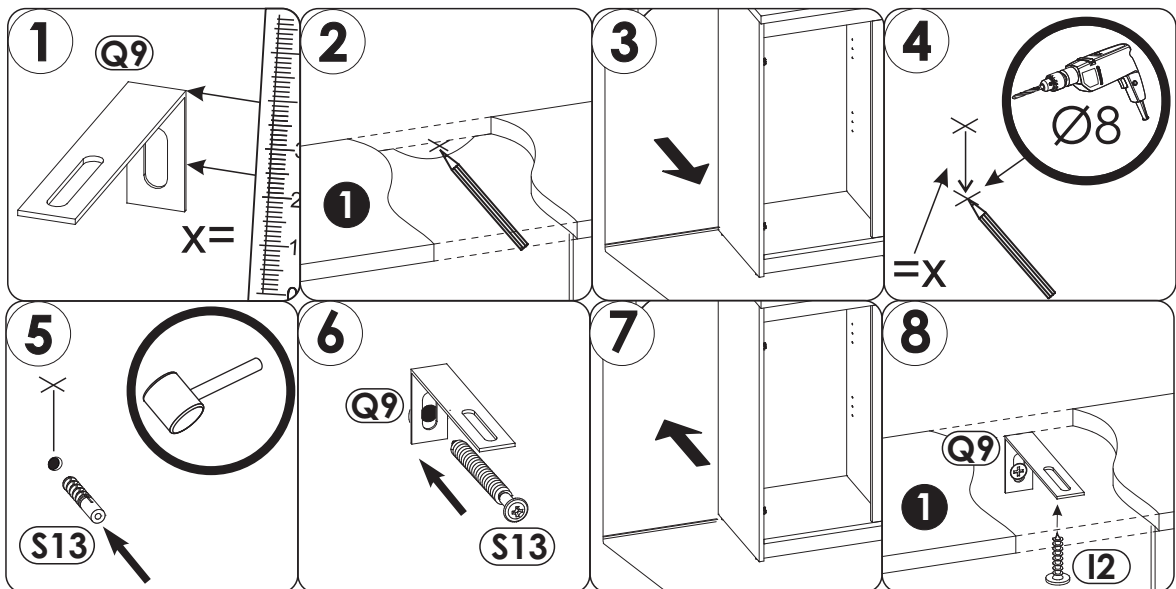
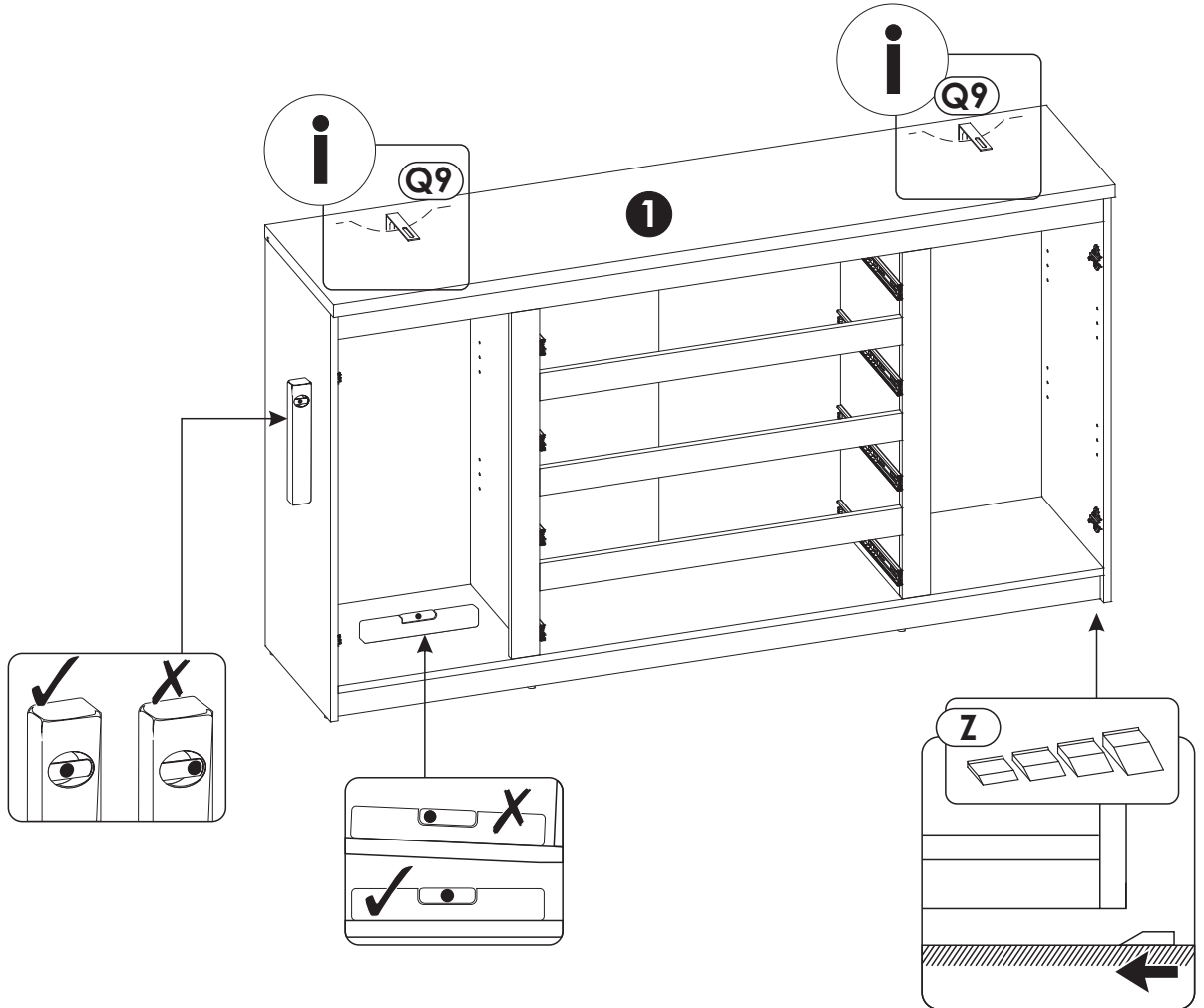
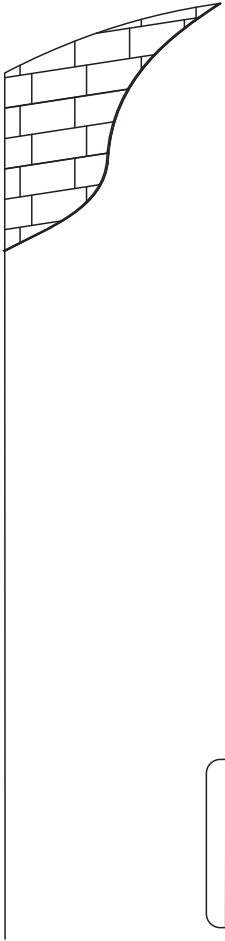
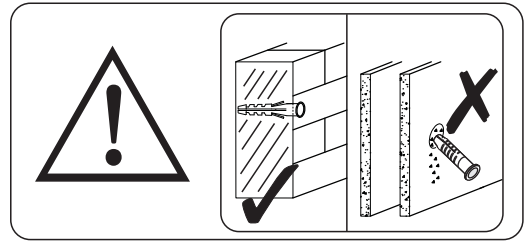


23 ▶

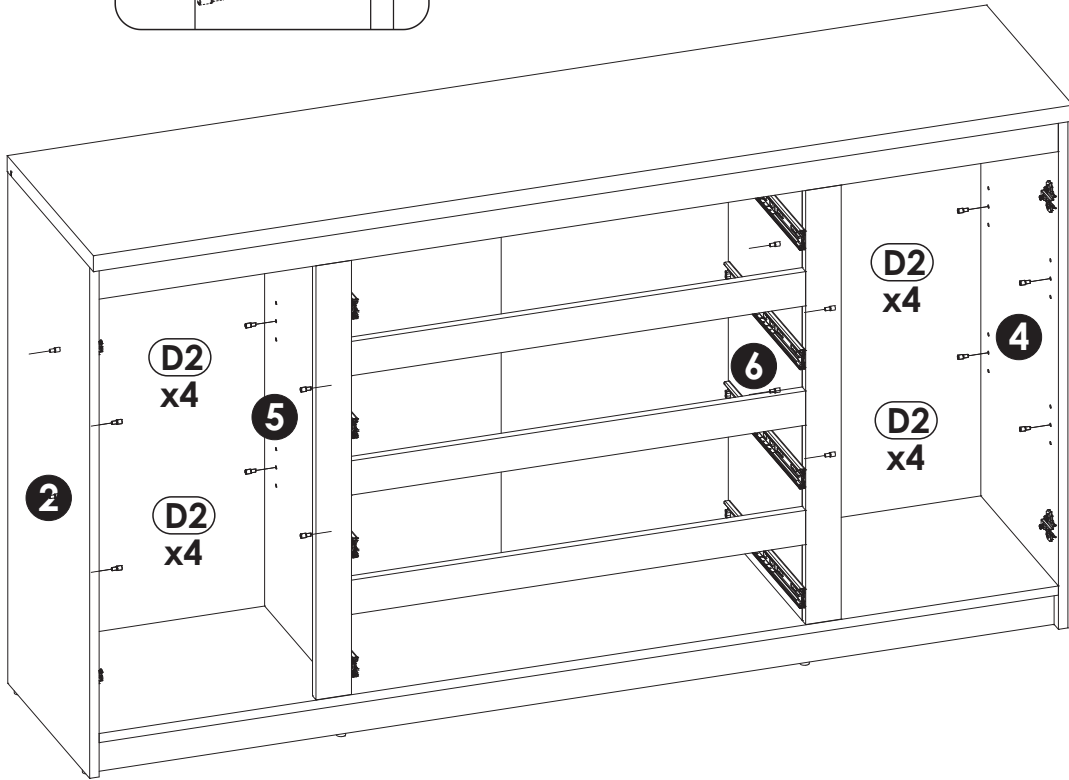
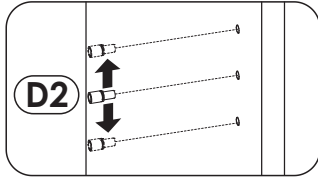


24▶

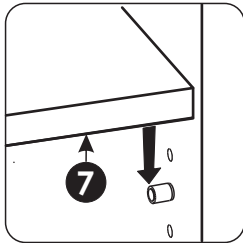




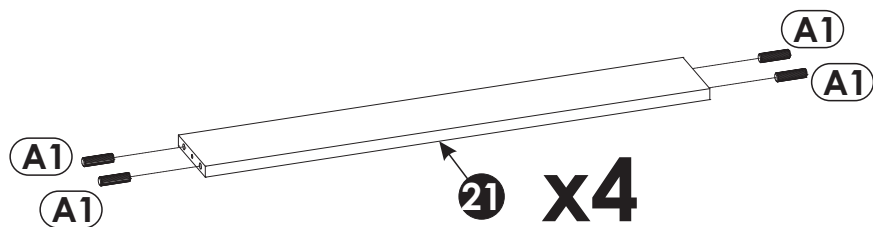
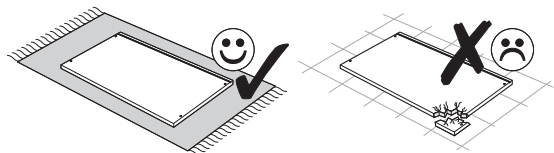
26▶



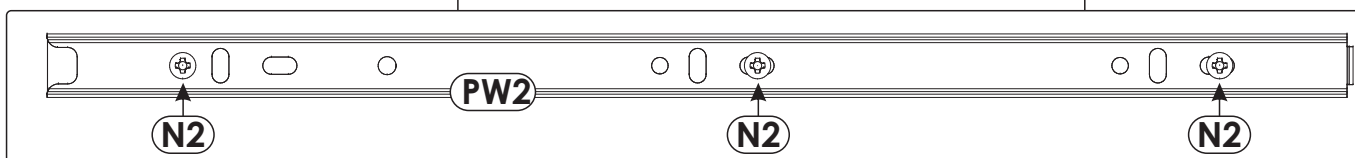
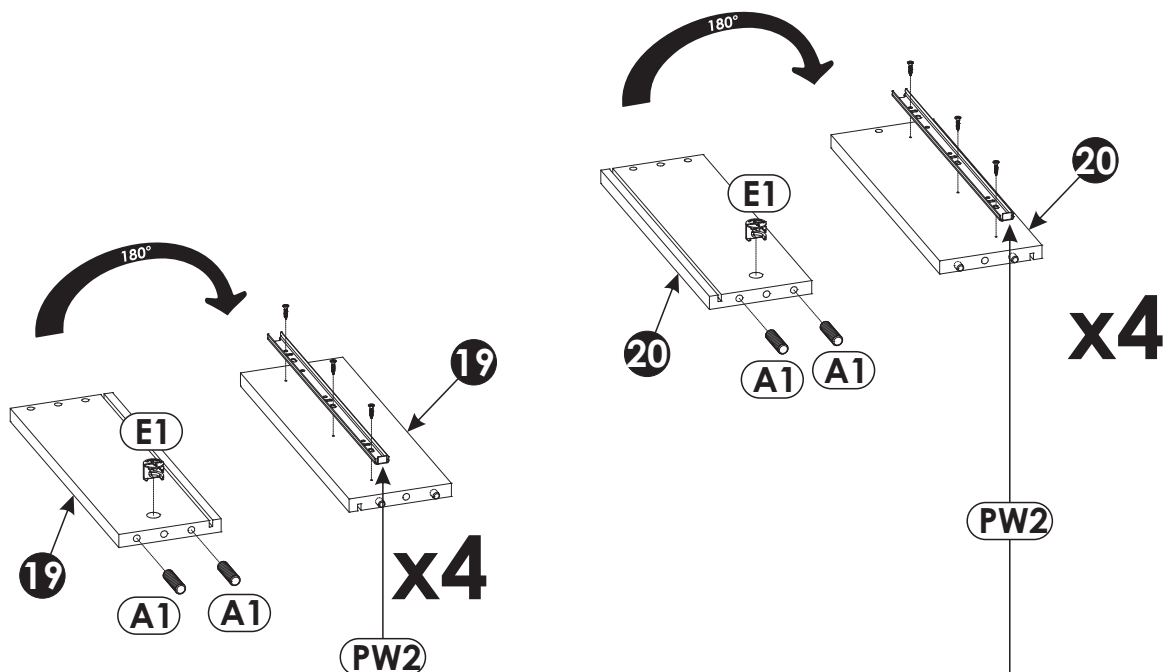
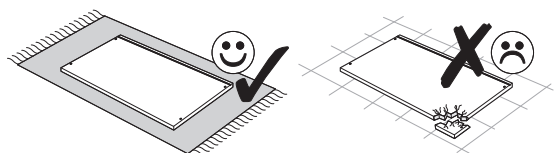
27▶



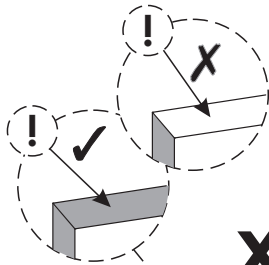
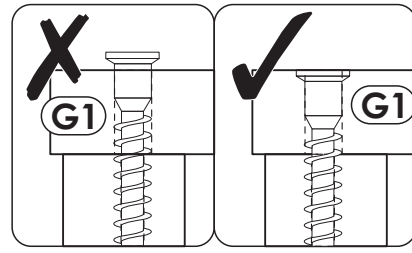
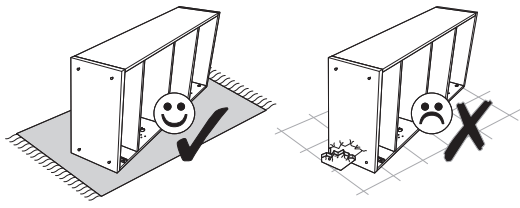
28 ▶



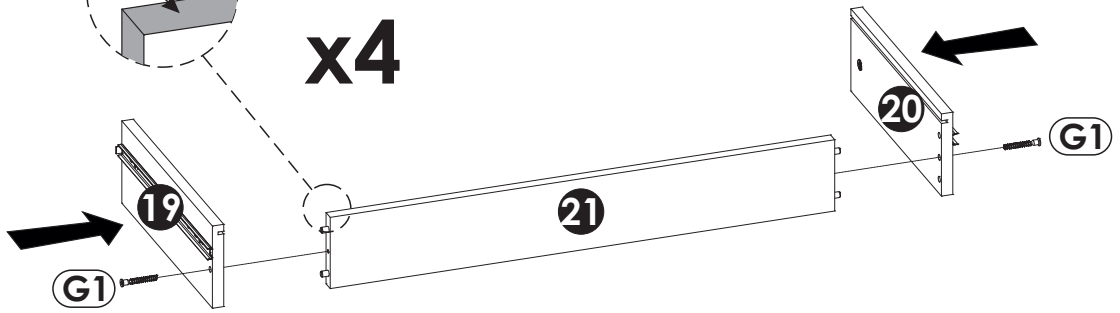
29 ▶



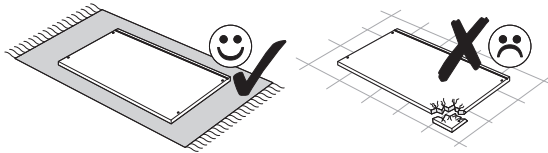
30 ▶



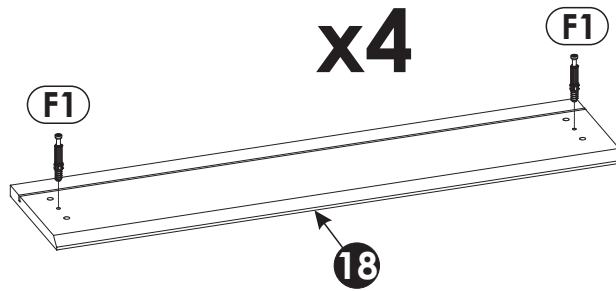
x4



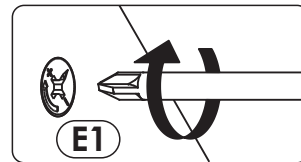
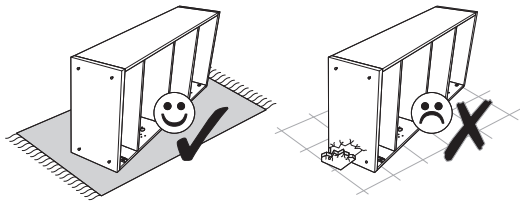
31 ▶



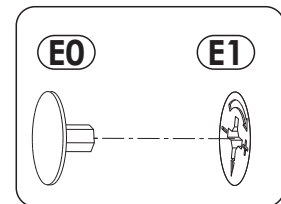
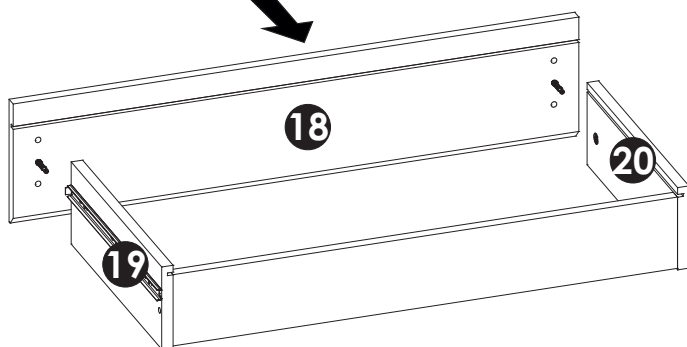
x4



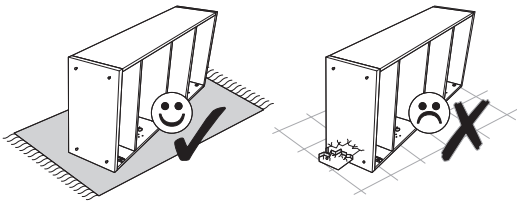
32 ▶



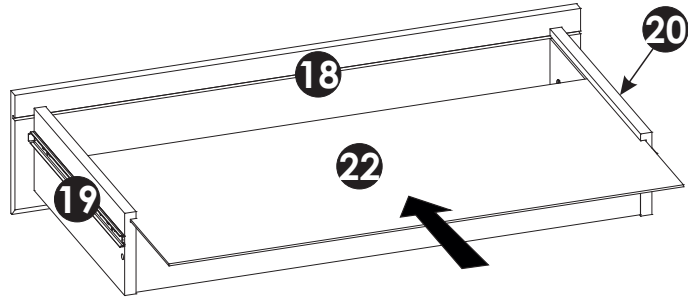
x4



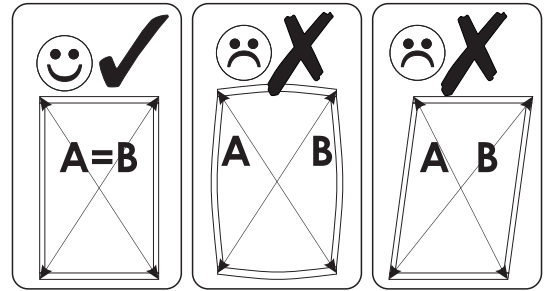
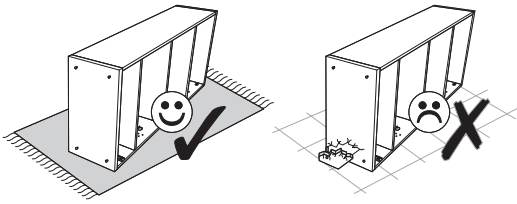
33 ▶



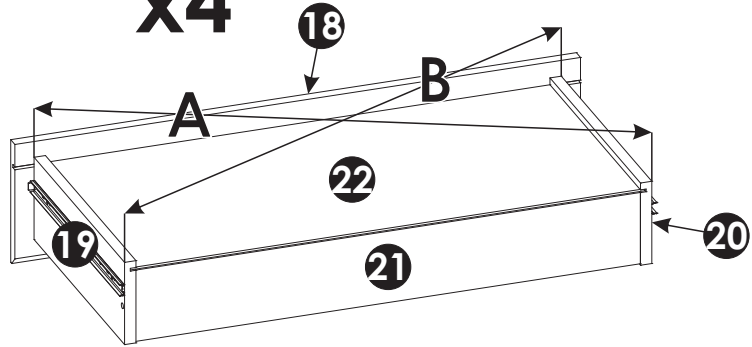
x4



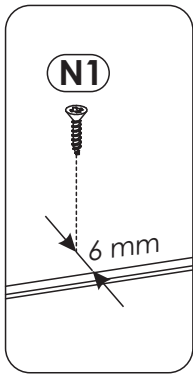
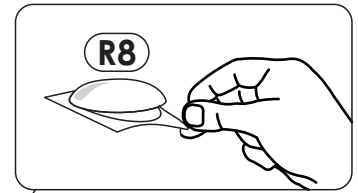
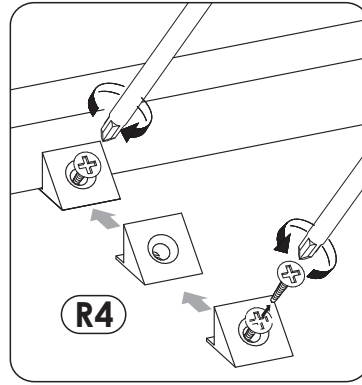
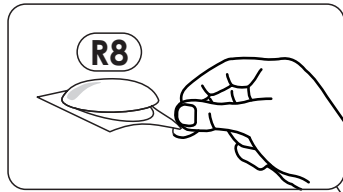
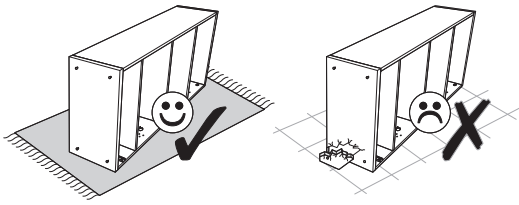
34 ▶



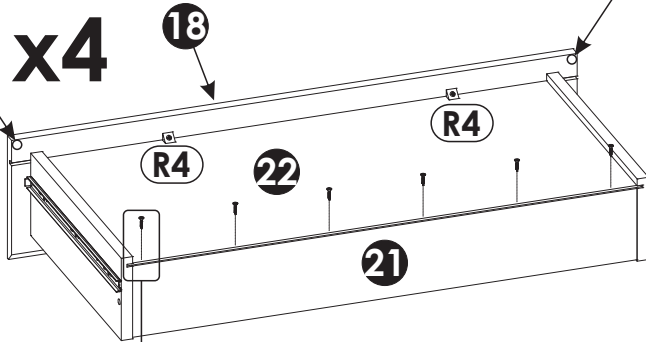
x4



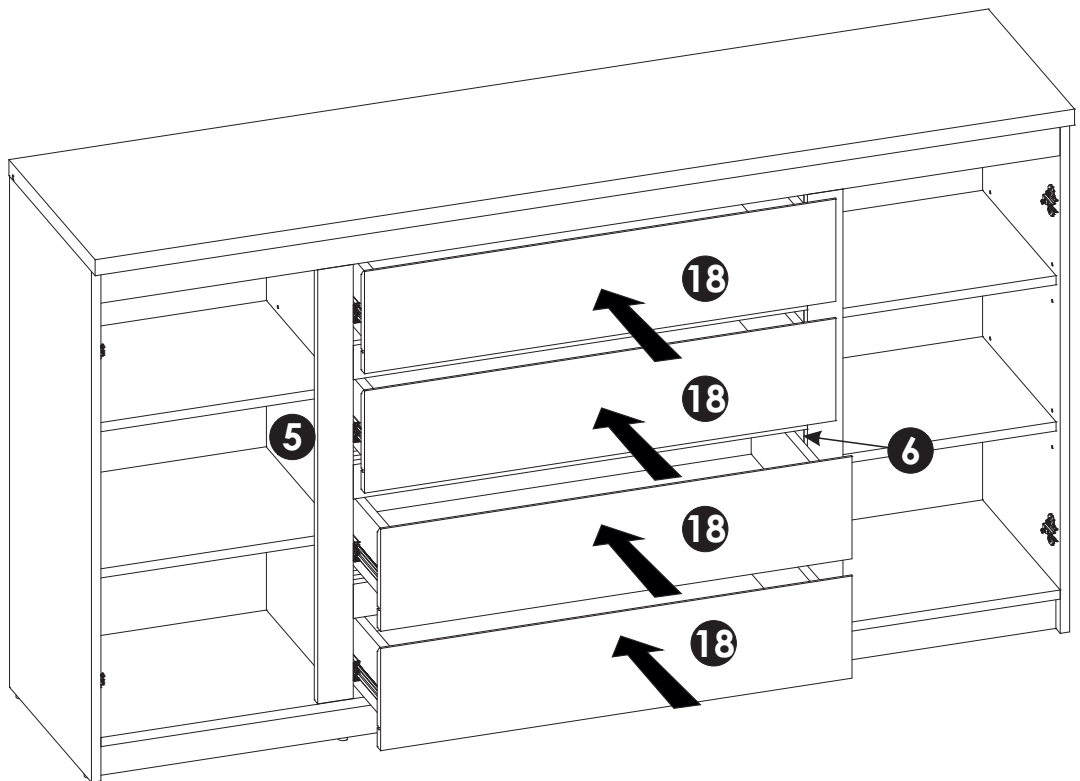
35▶



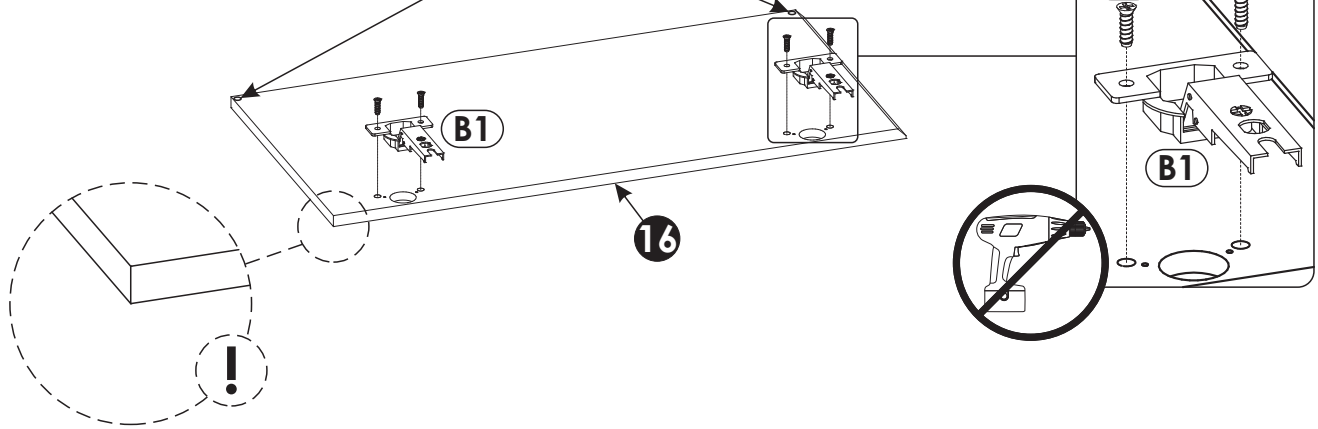
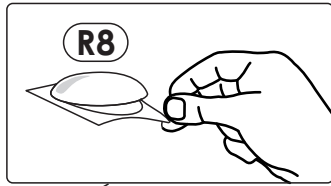
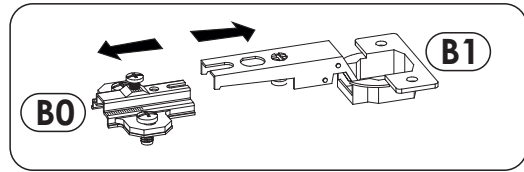
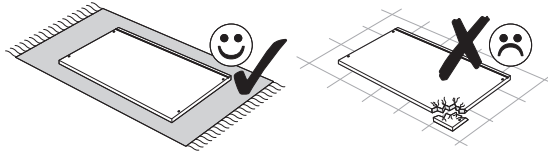
x4



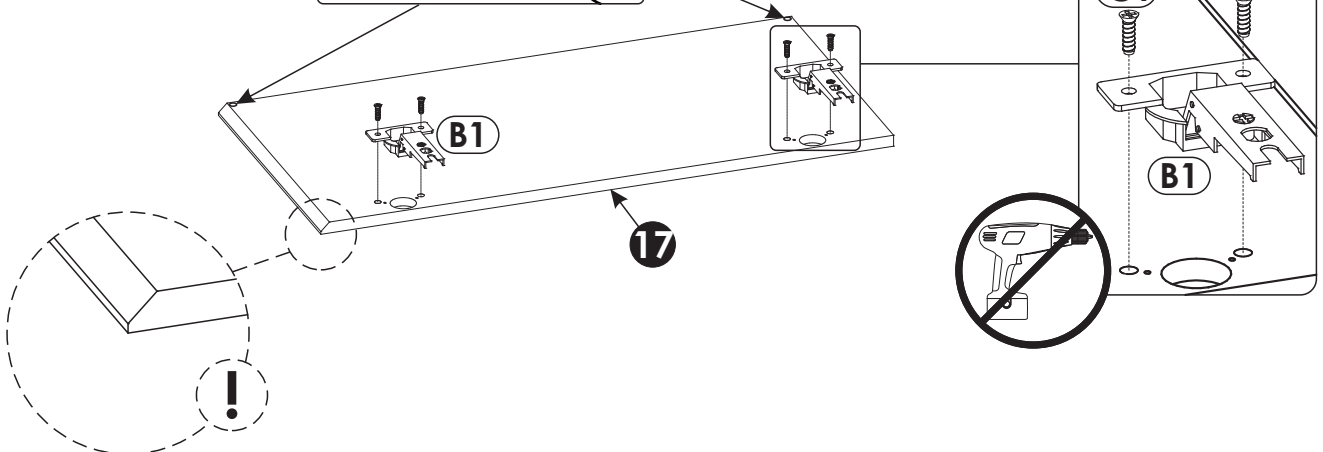
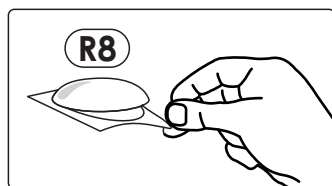
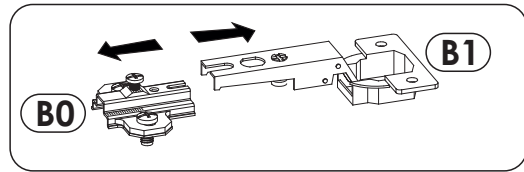
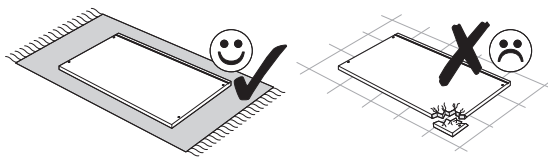
36▶



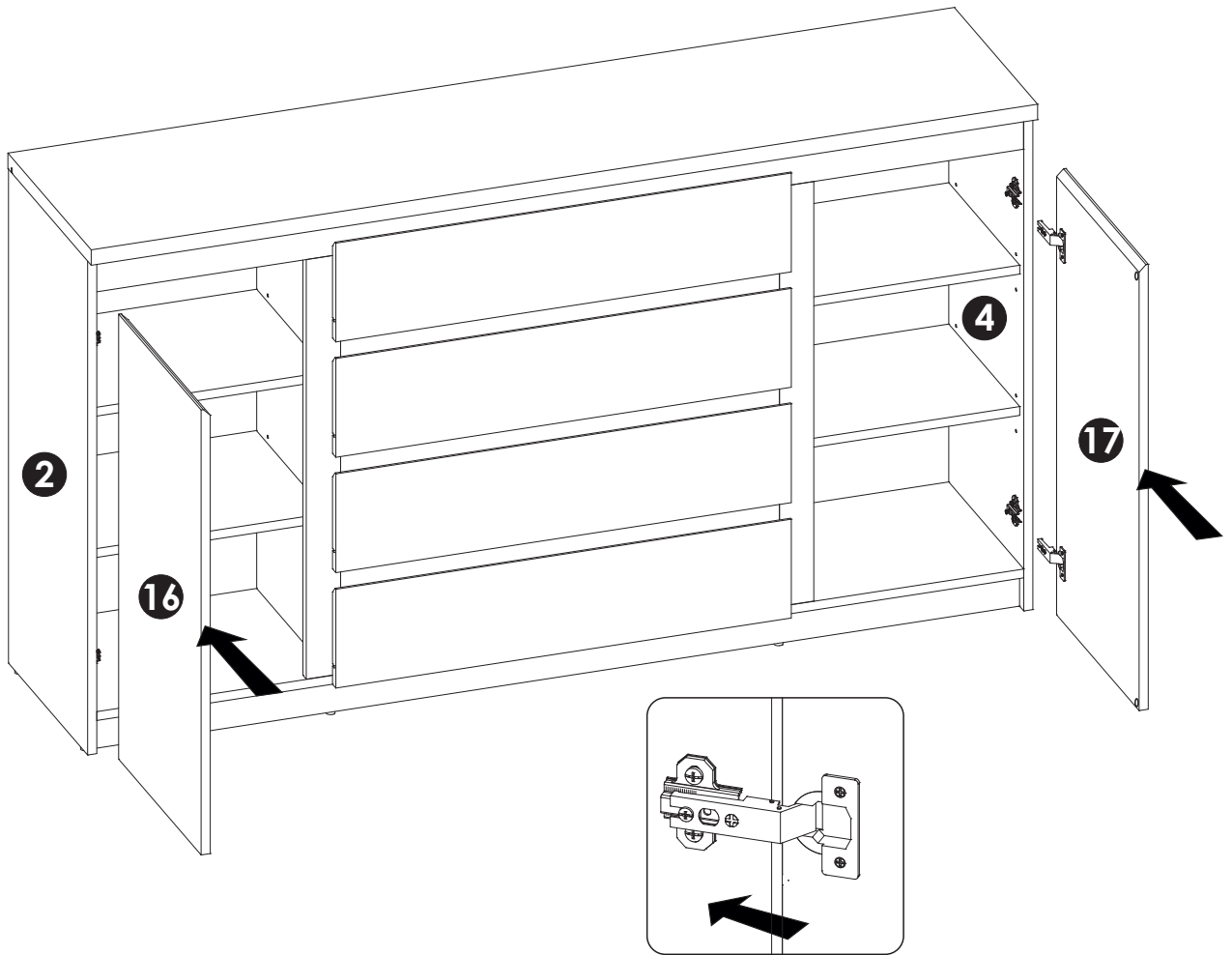
37▶



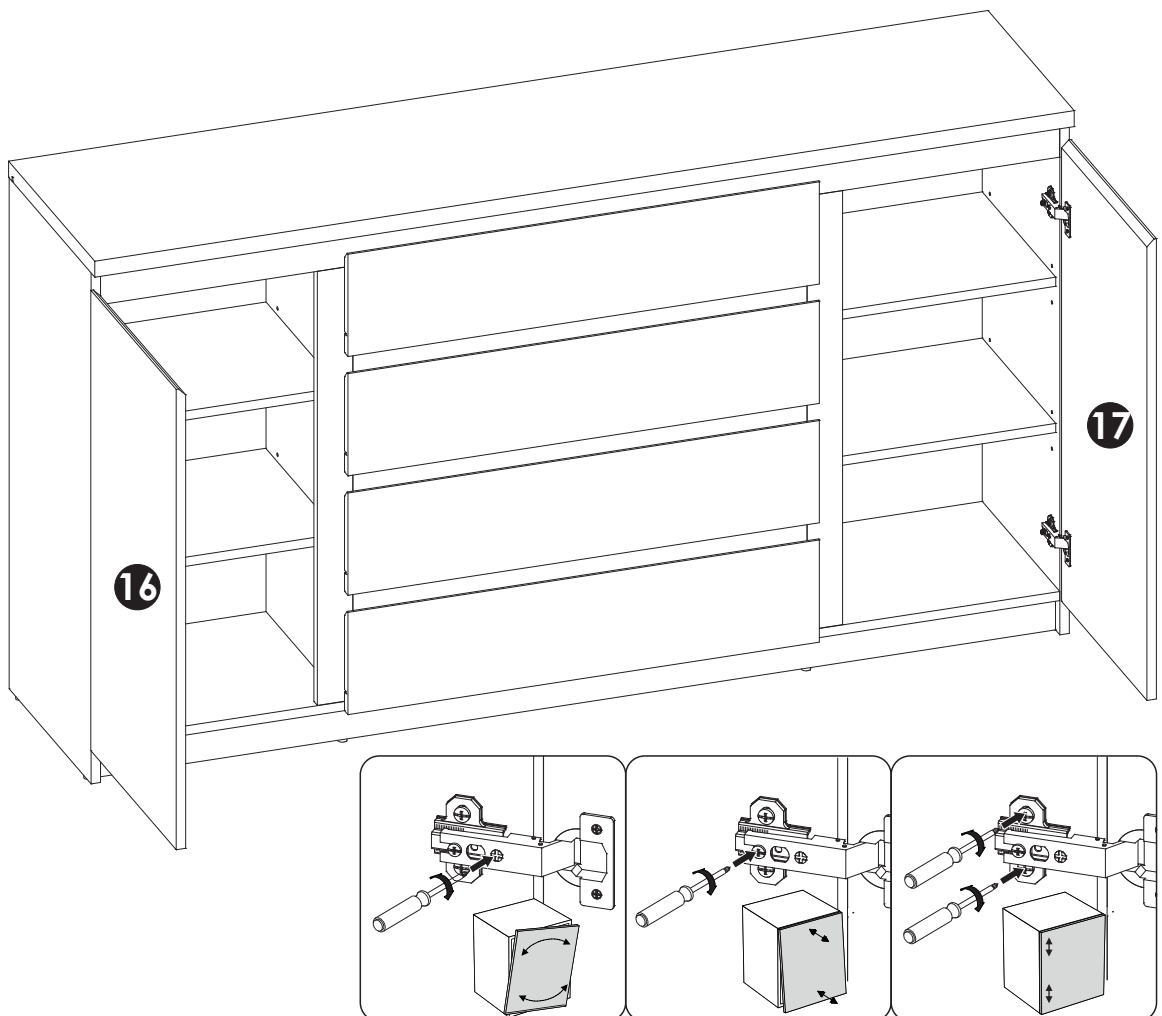
38▶



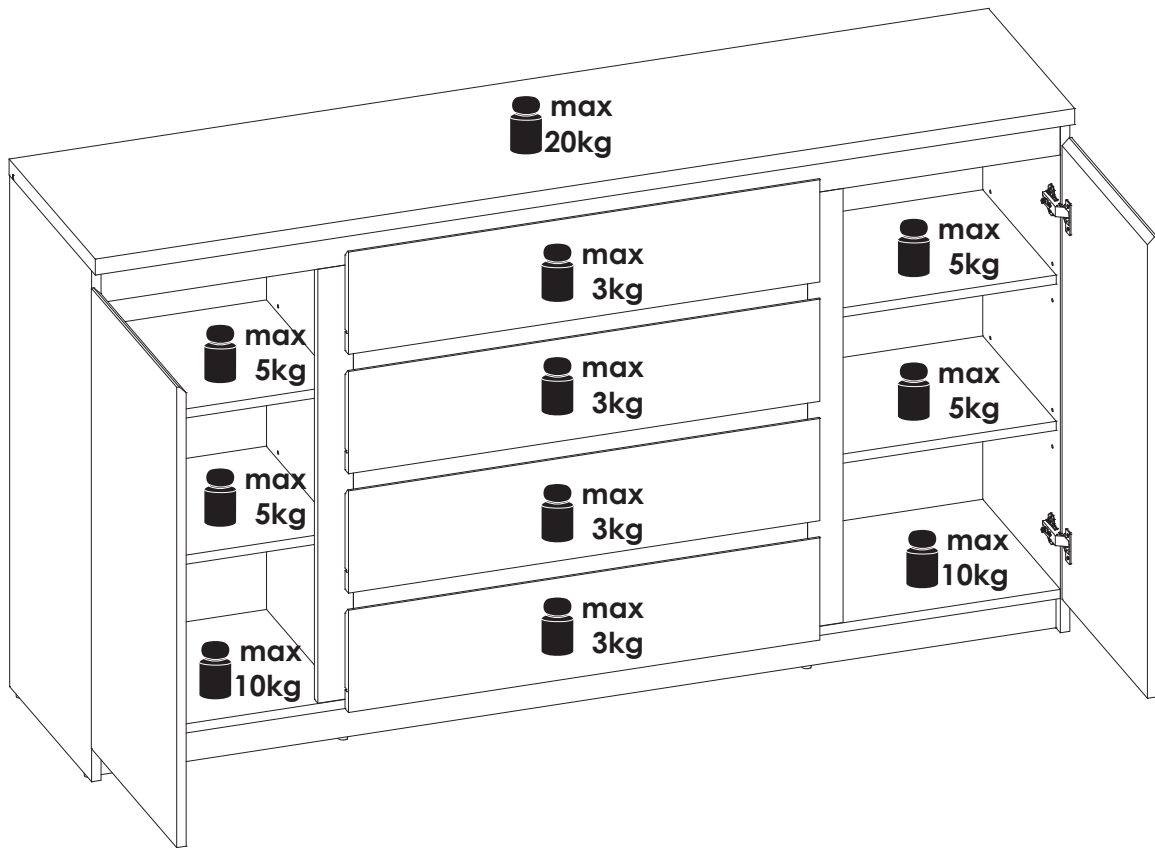
39▶

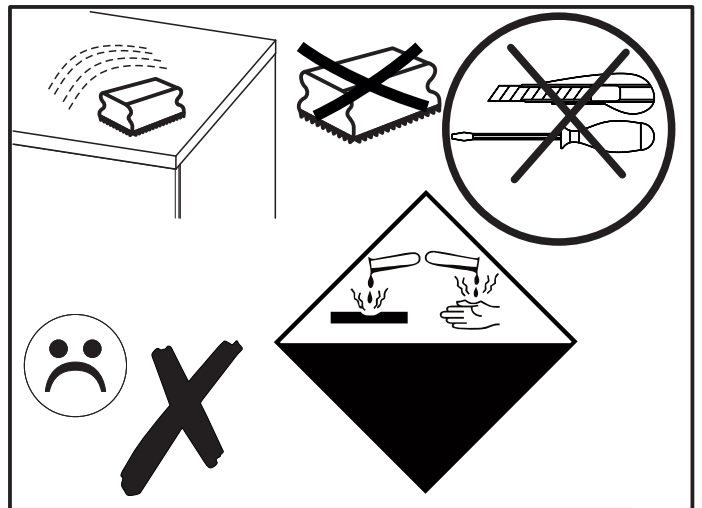
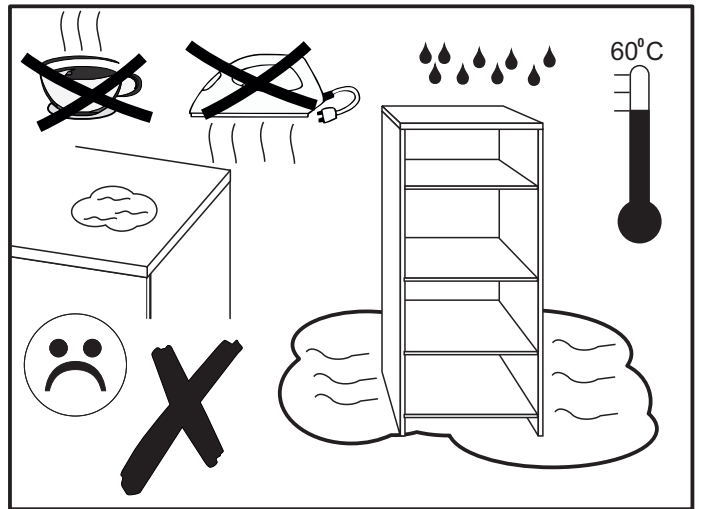
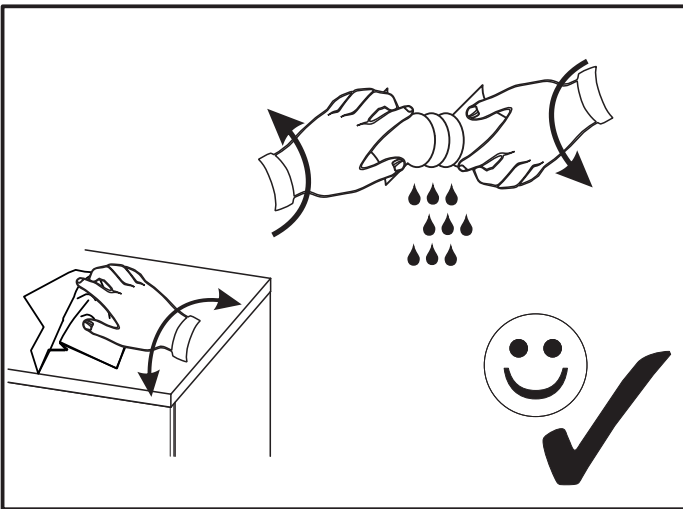
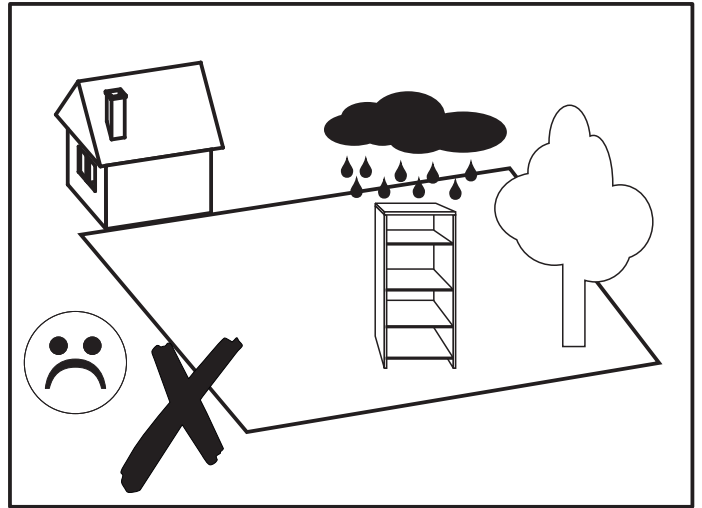
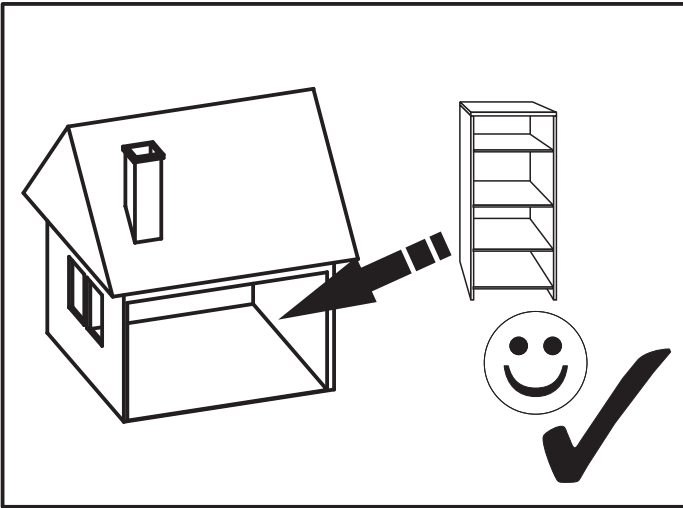


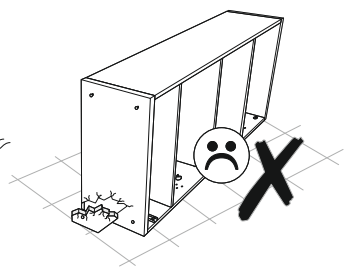
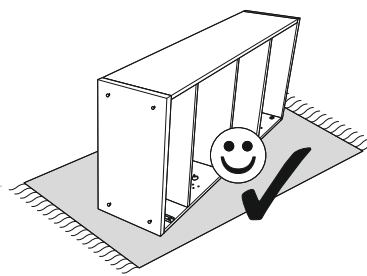
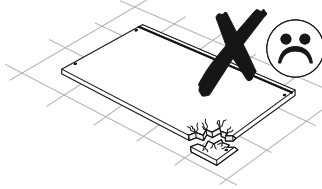
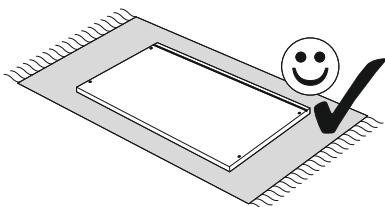
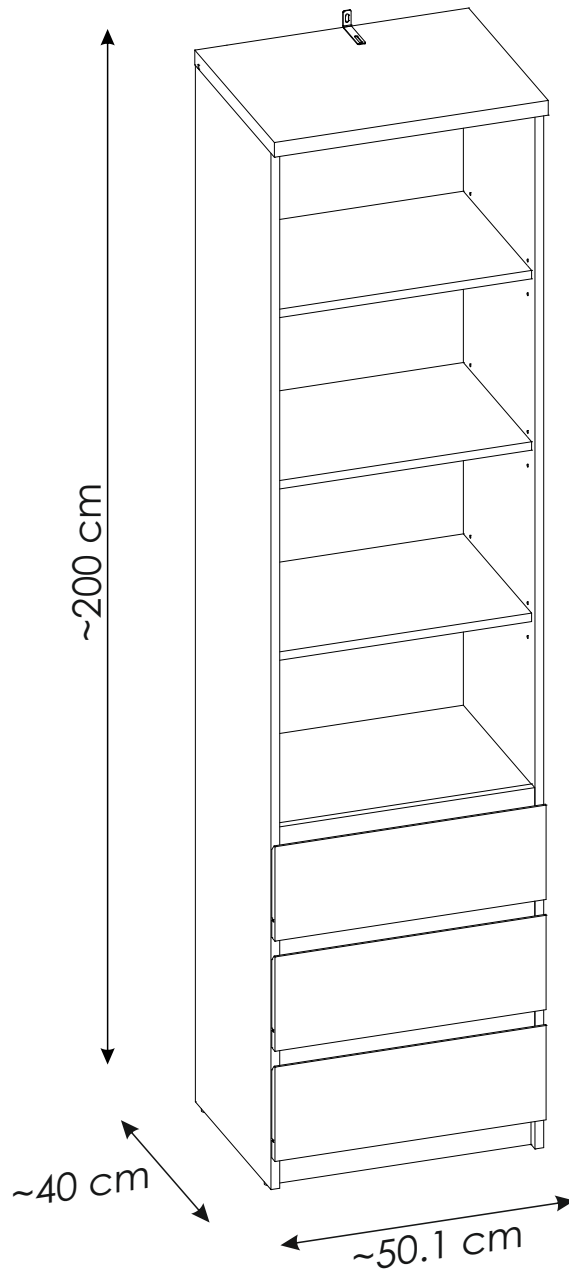
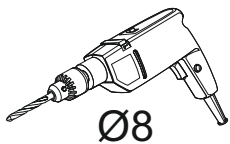
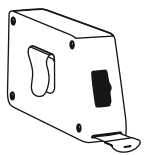
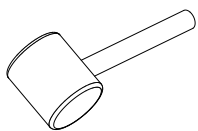
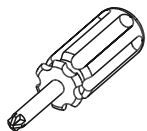
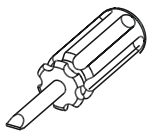
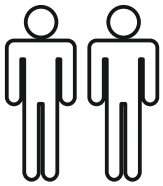
40▶

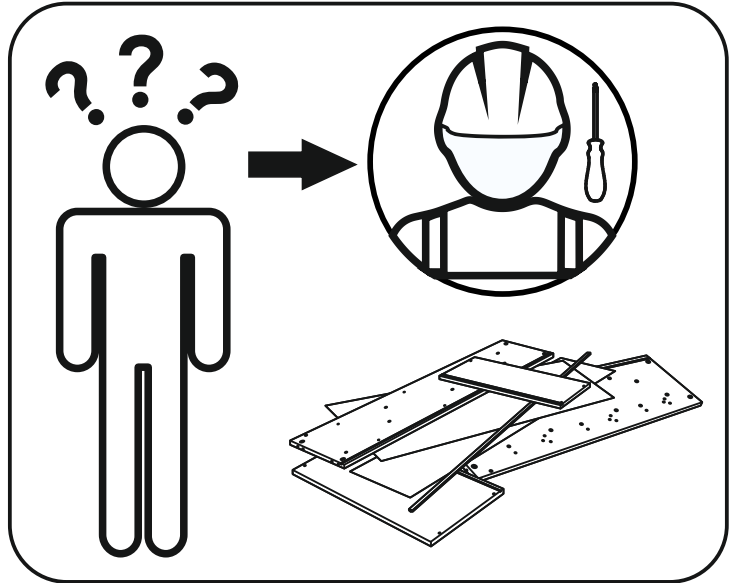
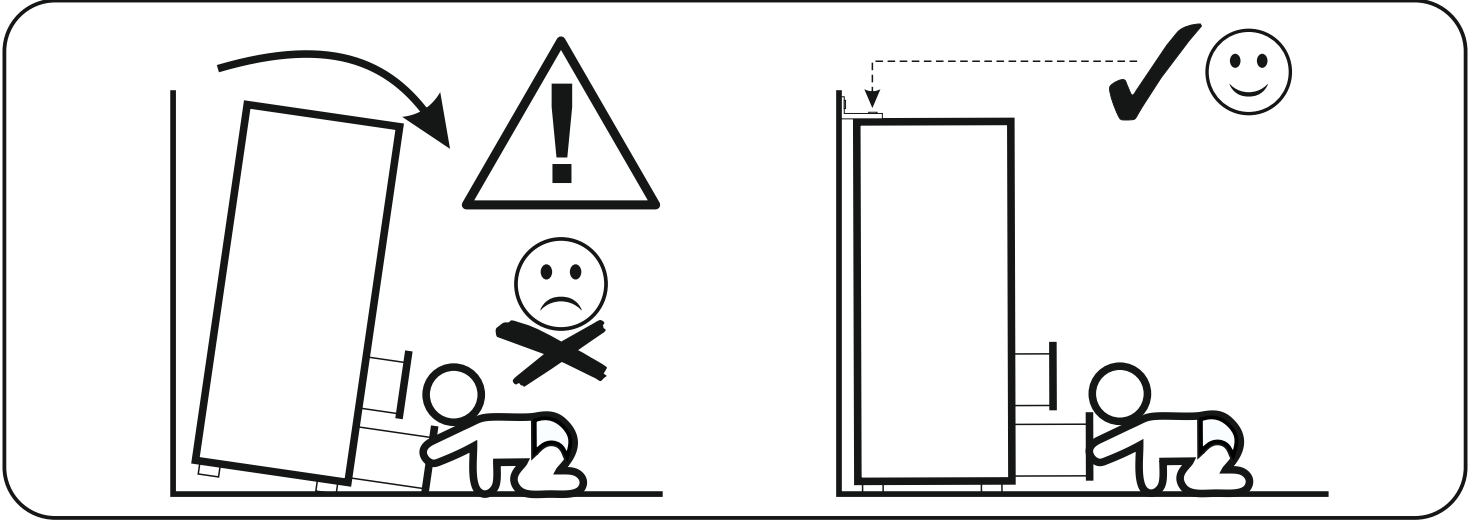


41 ▶

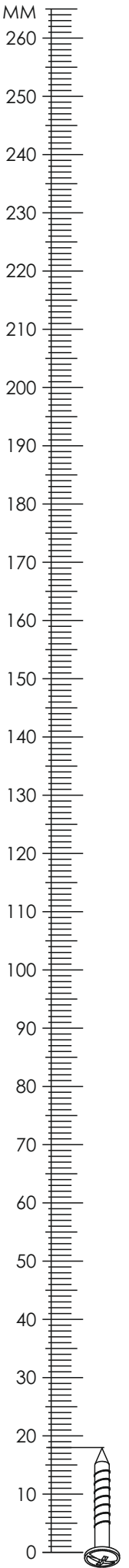


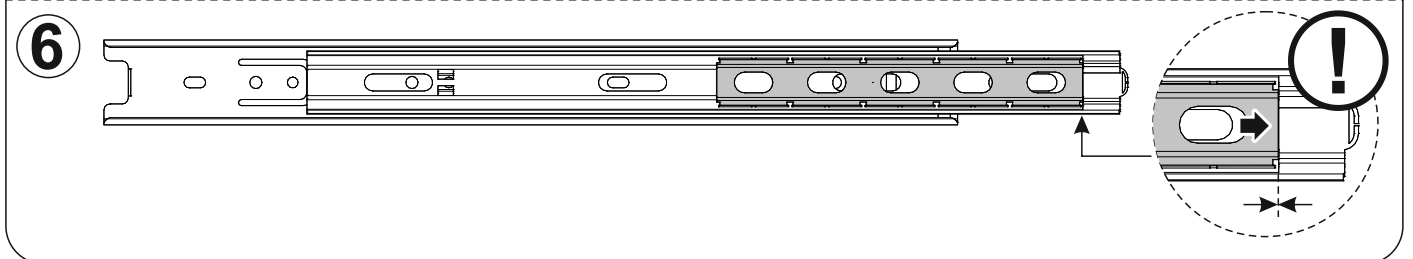
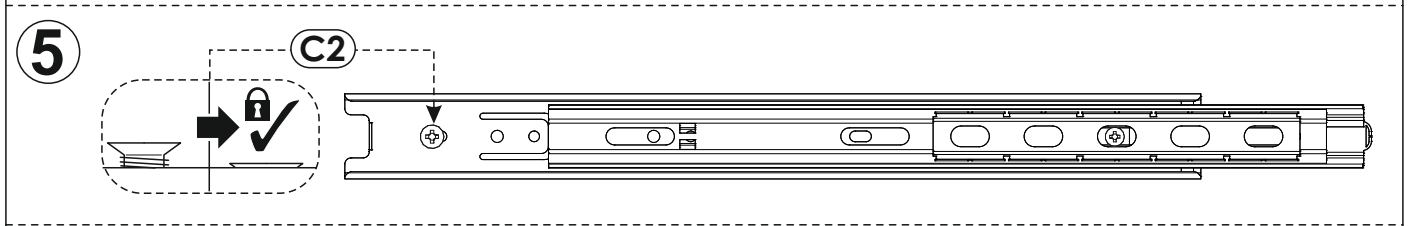
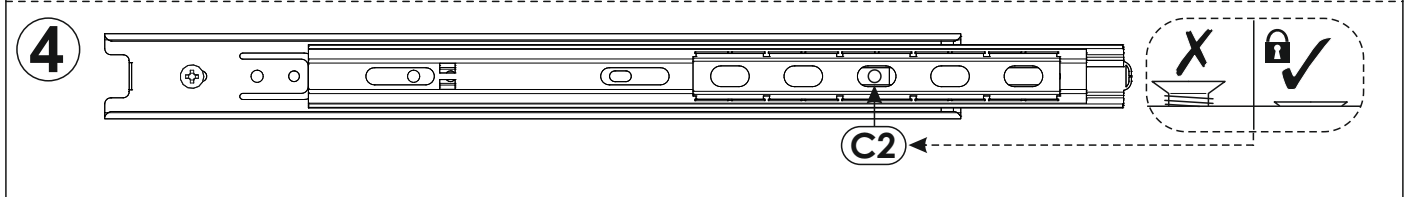
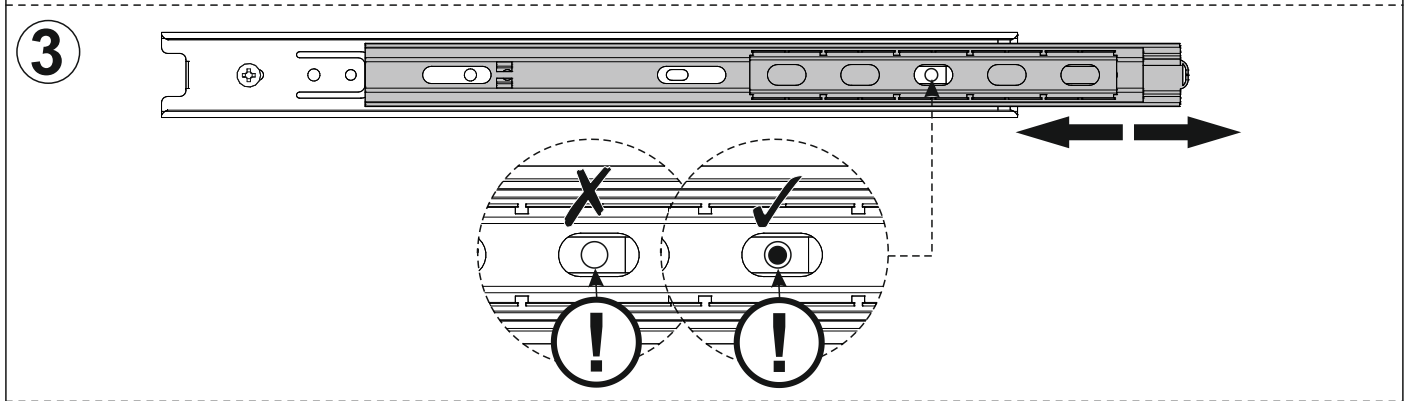
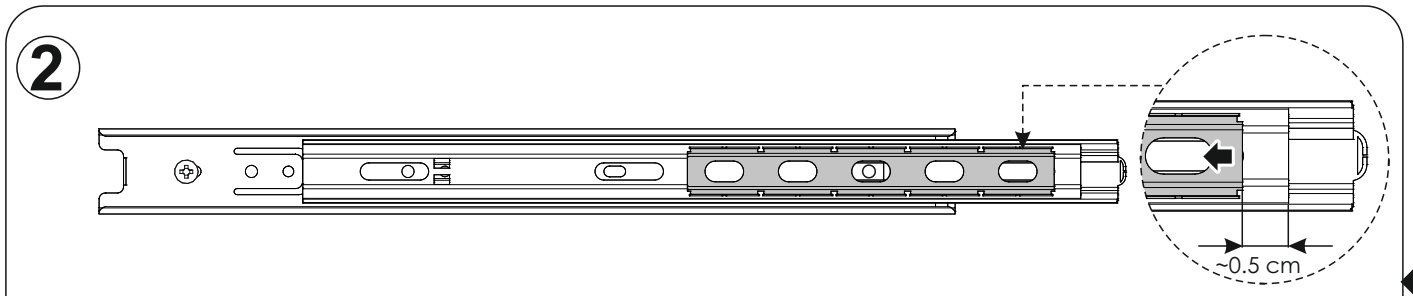
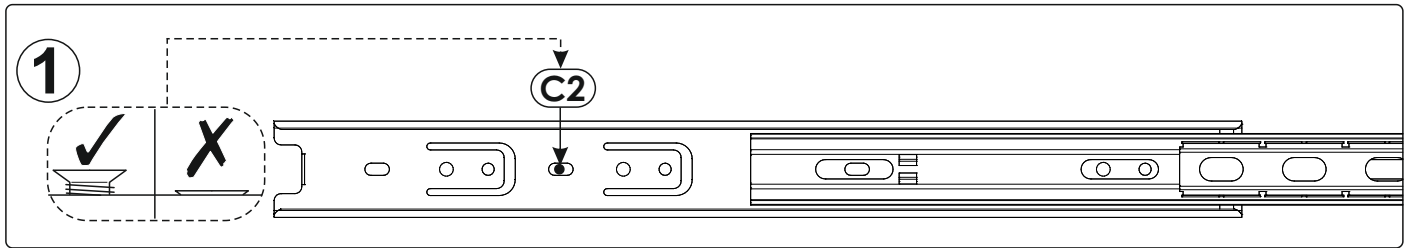
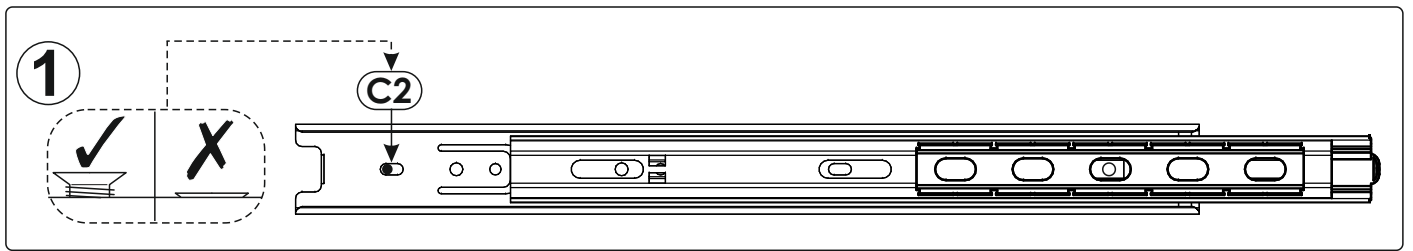


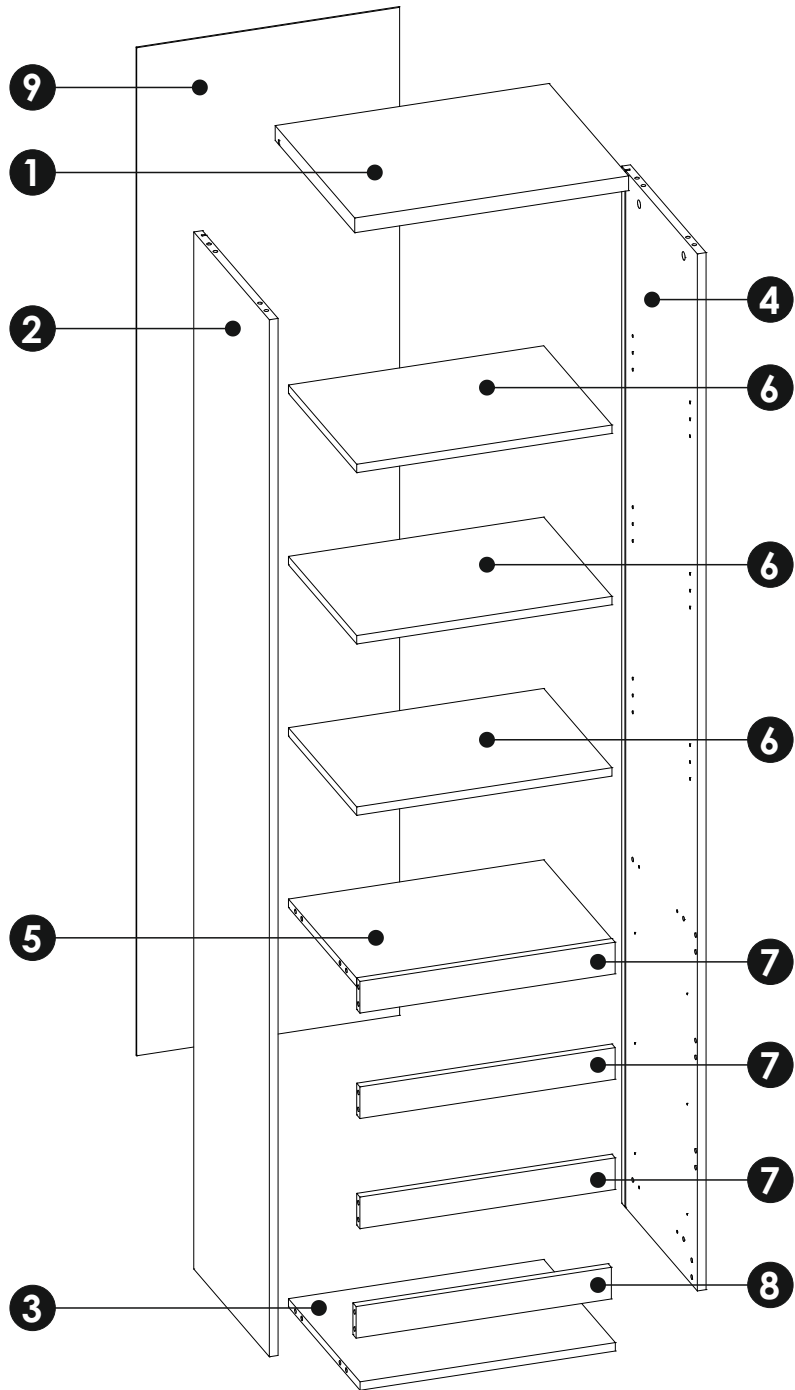
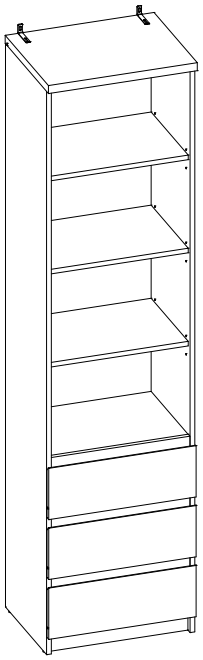




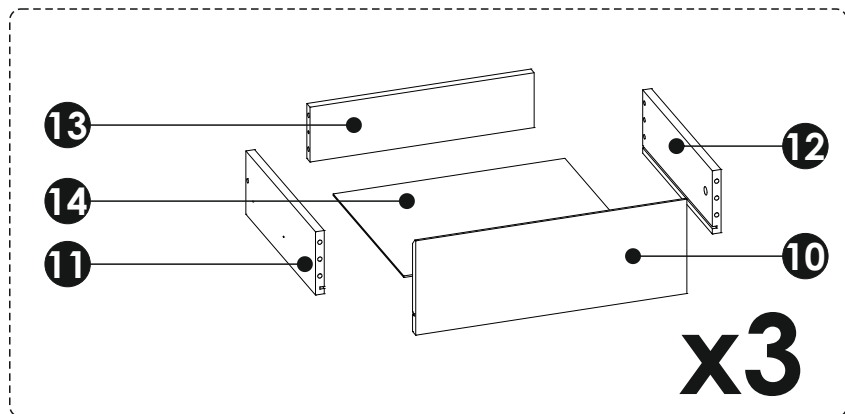
A1	8 x 35 mm	x52	C2	5 x 13 mm	x12	D6		x12
E0		x10	E1	15 x 12 mm	x18	F1	6 x 34 mm	x18
G1	7 x 50 mm	x6	I2	4 x 16 mm	x1	J4	3,5 x 16 mm	x18
M		x1	N1	3 X 16 mm	x20	O2		x4
PW	L - 350 mm	x6	Q9		x1	R4		x14
R8		x6	S13		x1	Z		x1

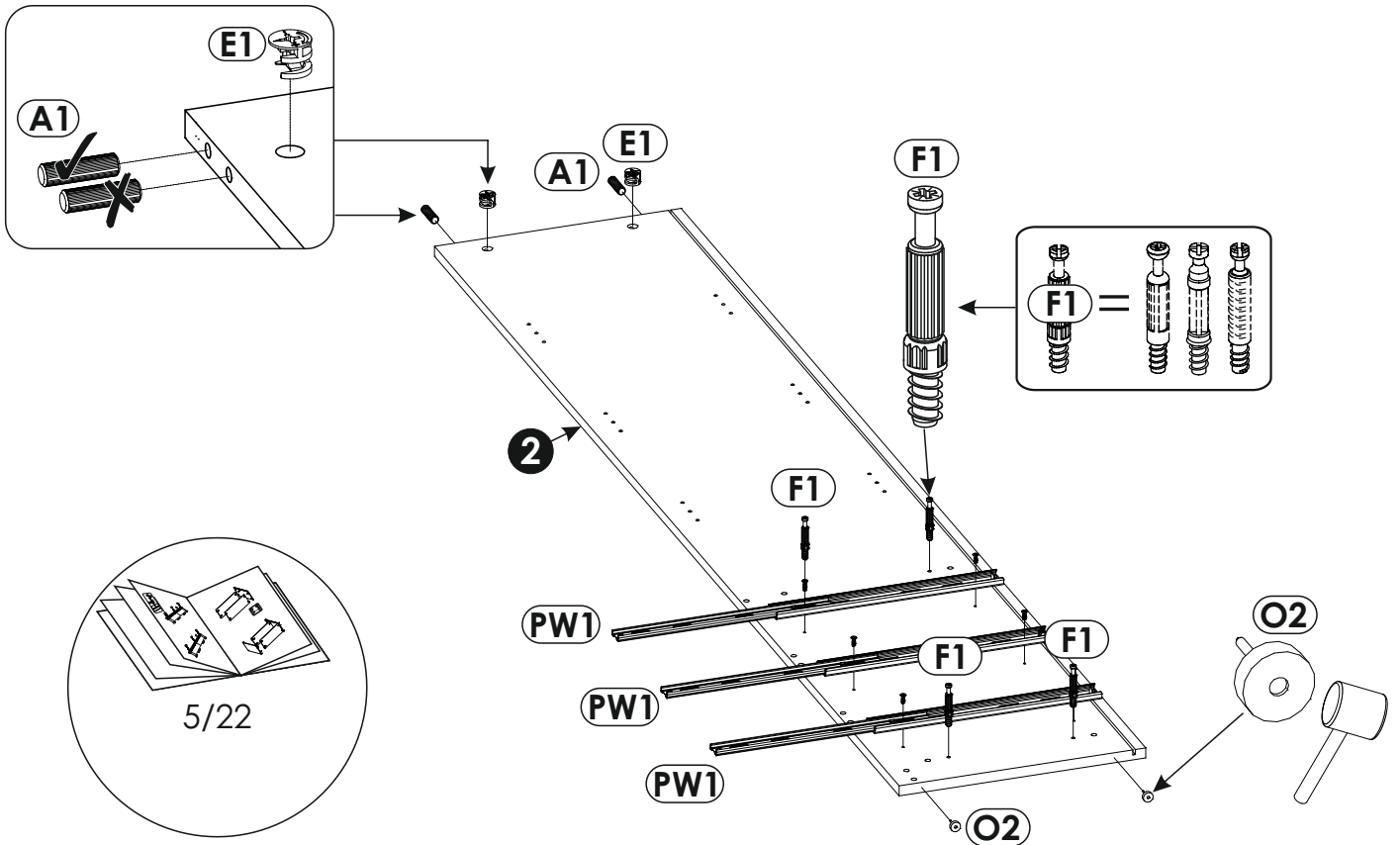
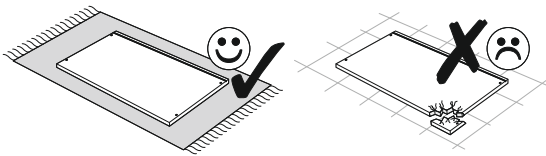
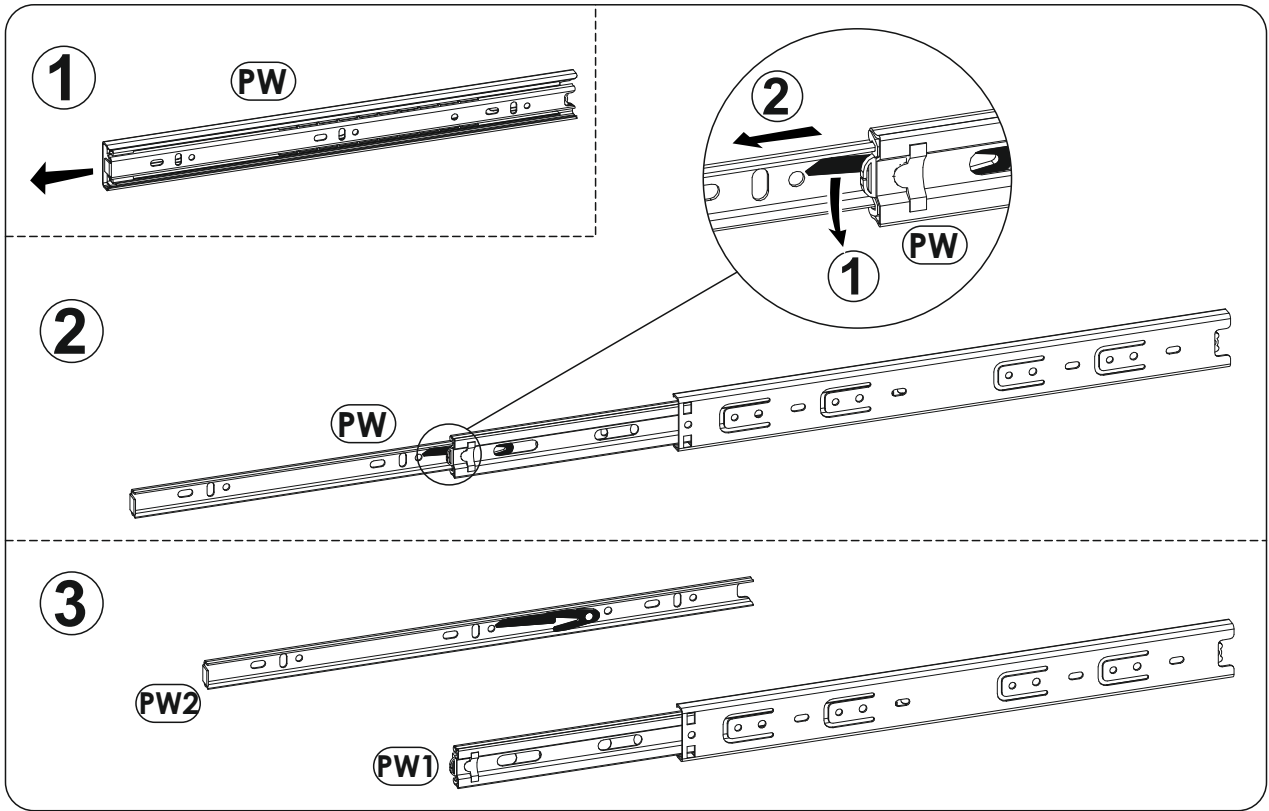




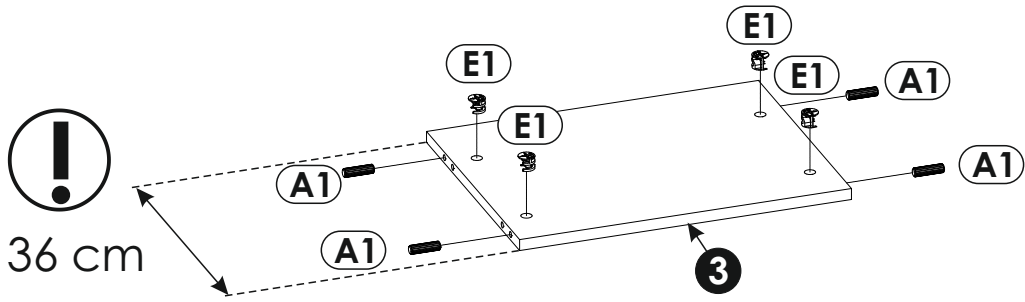
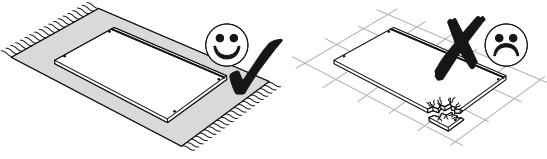


1	501	400	28	x1	1/2
2	1967	380	16	x1	2/2
3	467	360	16	x1	1/2
4	1967	380	16	x1	2/2
5	467	343	16	x1	2/2
6	467	343	16	x3	2/2
7	467	60	16	x3	1/2
8	467	60	16	x1	1/2
9	1912	481	3	x1	2/2
10	496	179	16	x3	1/2
11	350	120	16	x3	1/2
12	350	120	16	x3	1/2
13	410	104	16	x3	1/2
14	424	355	3	x3	1/2

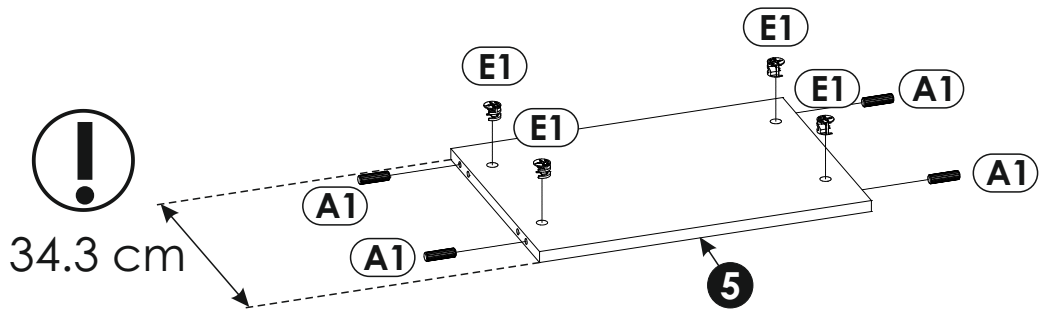
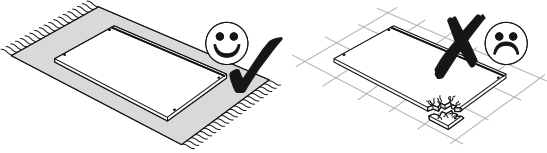


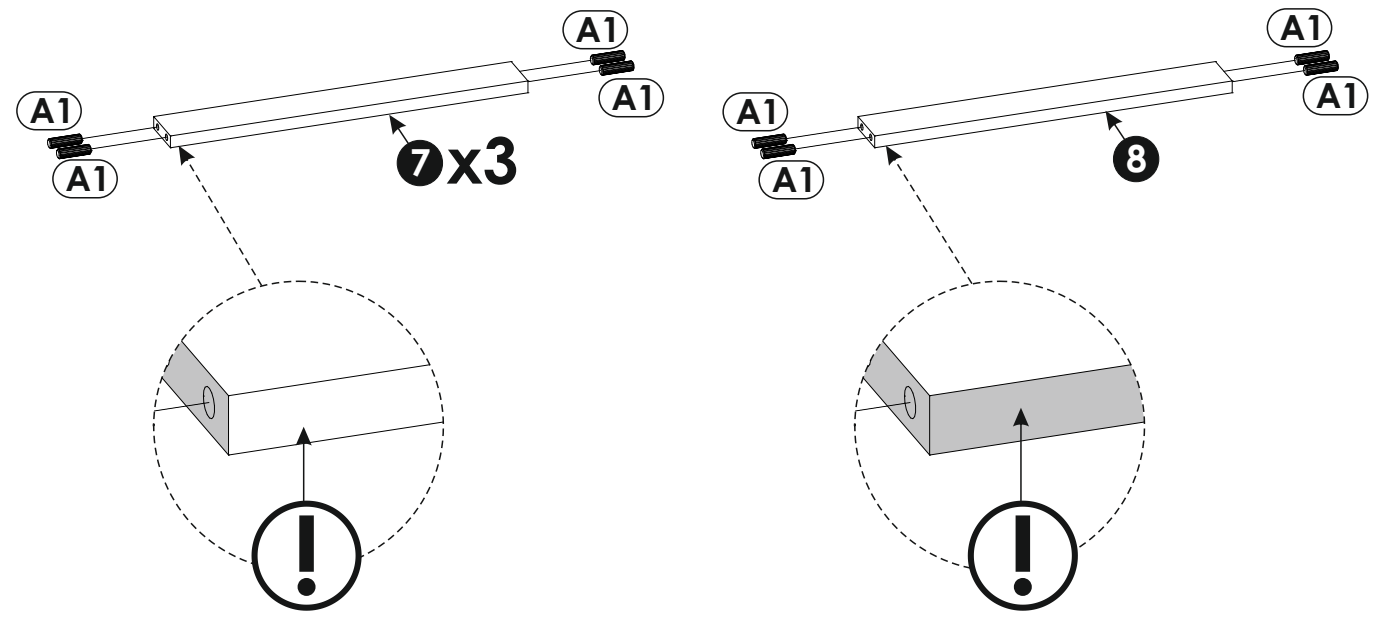
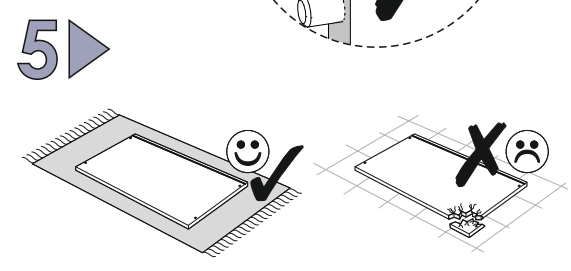
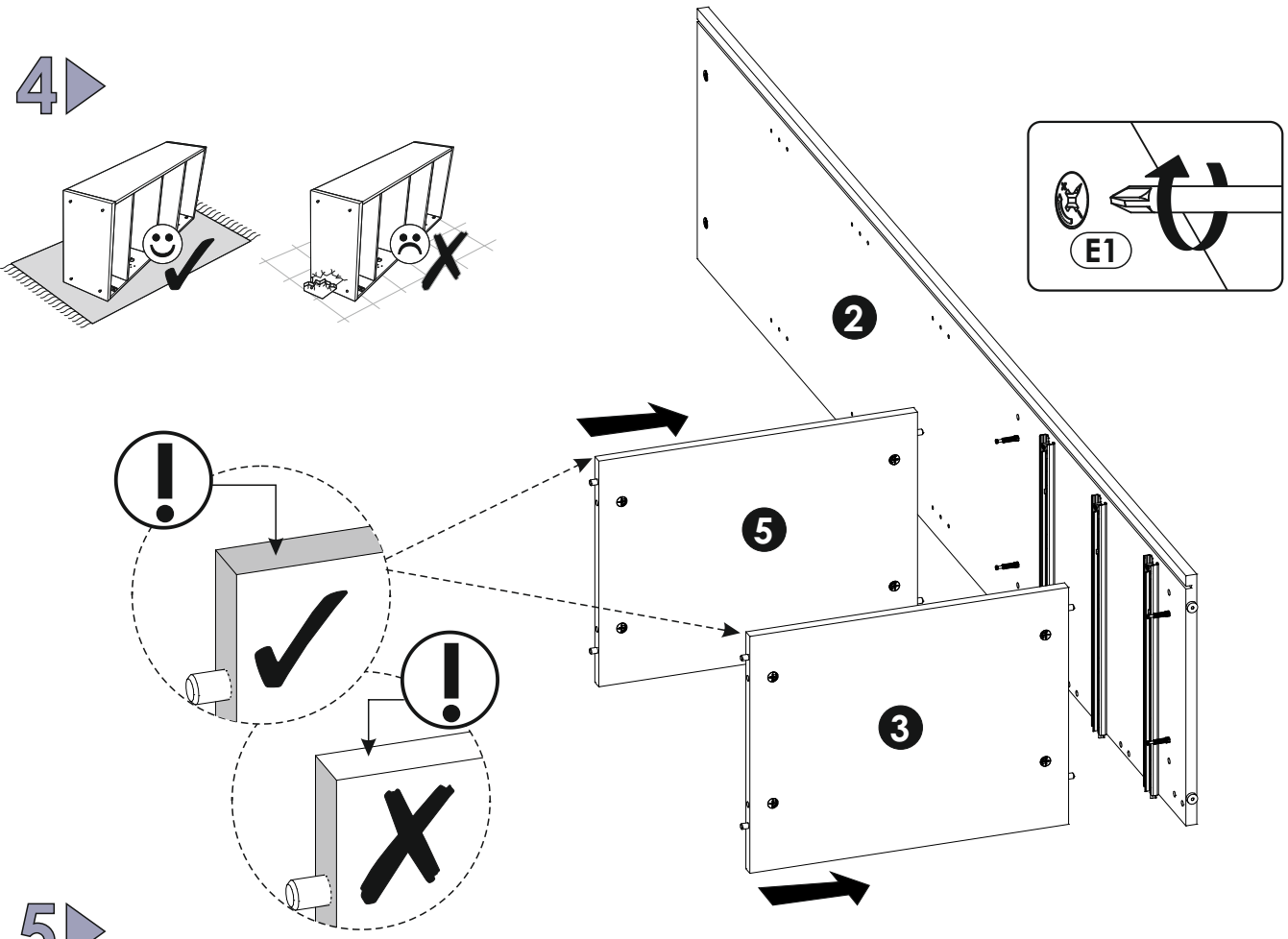
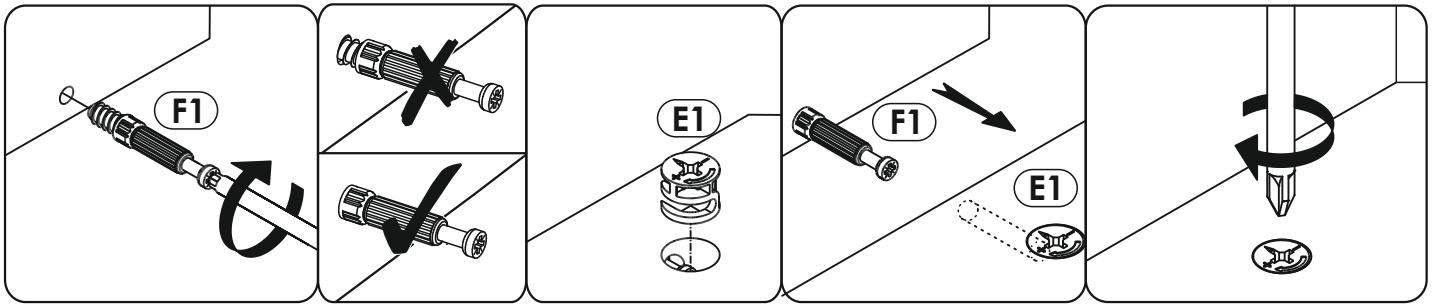


2 ▶

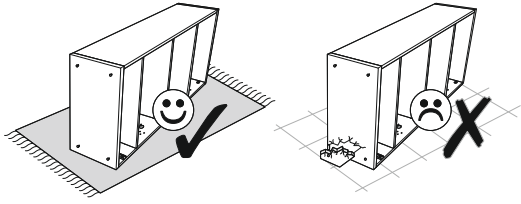


3 ▶

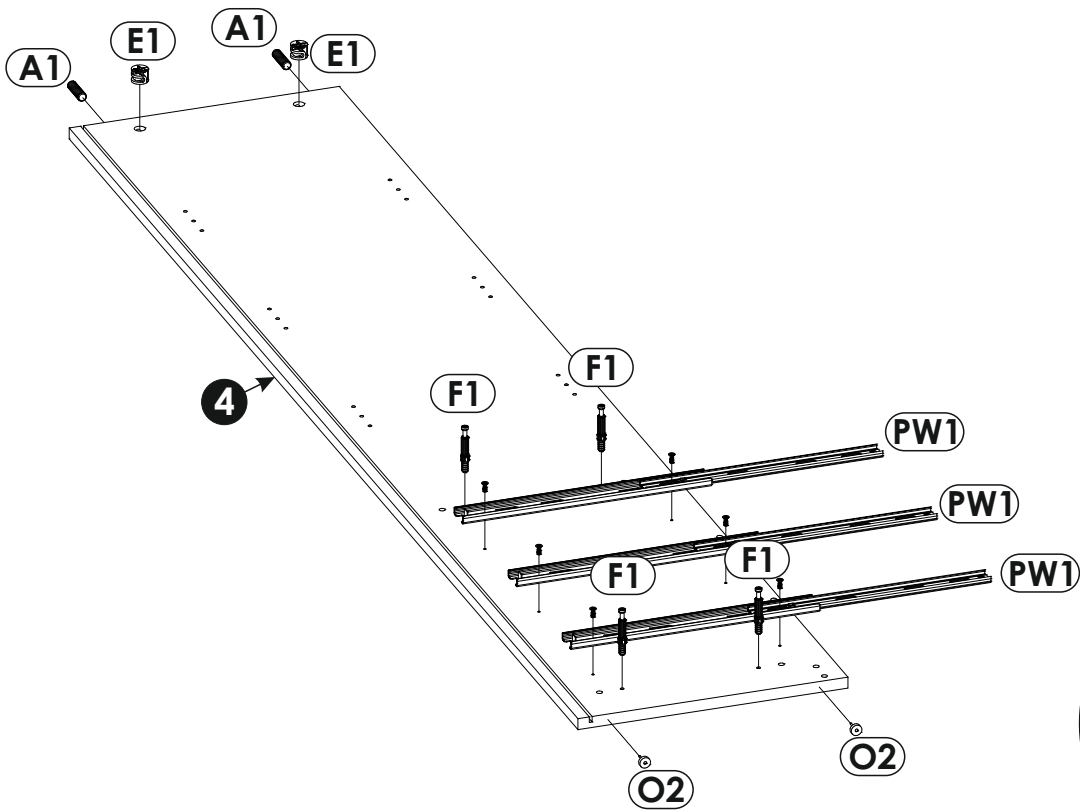
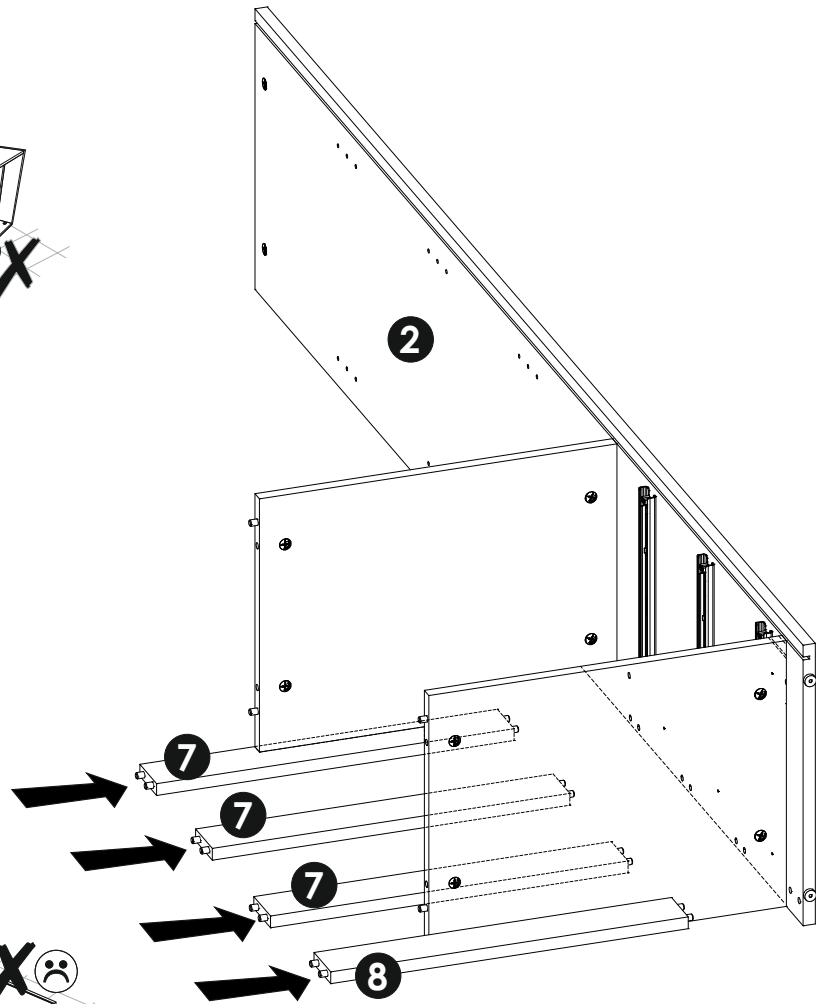
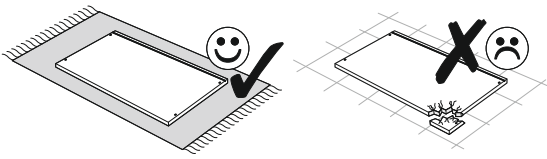




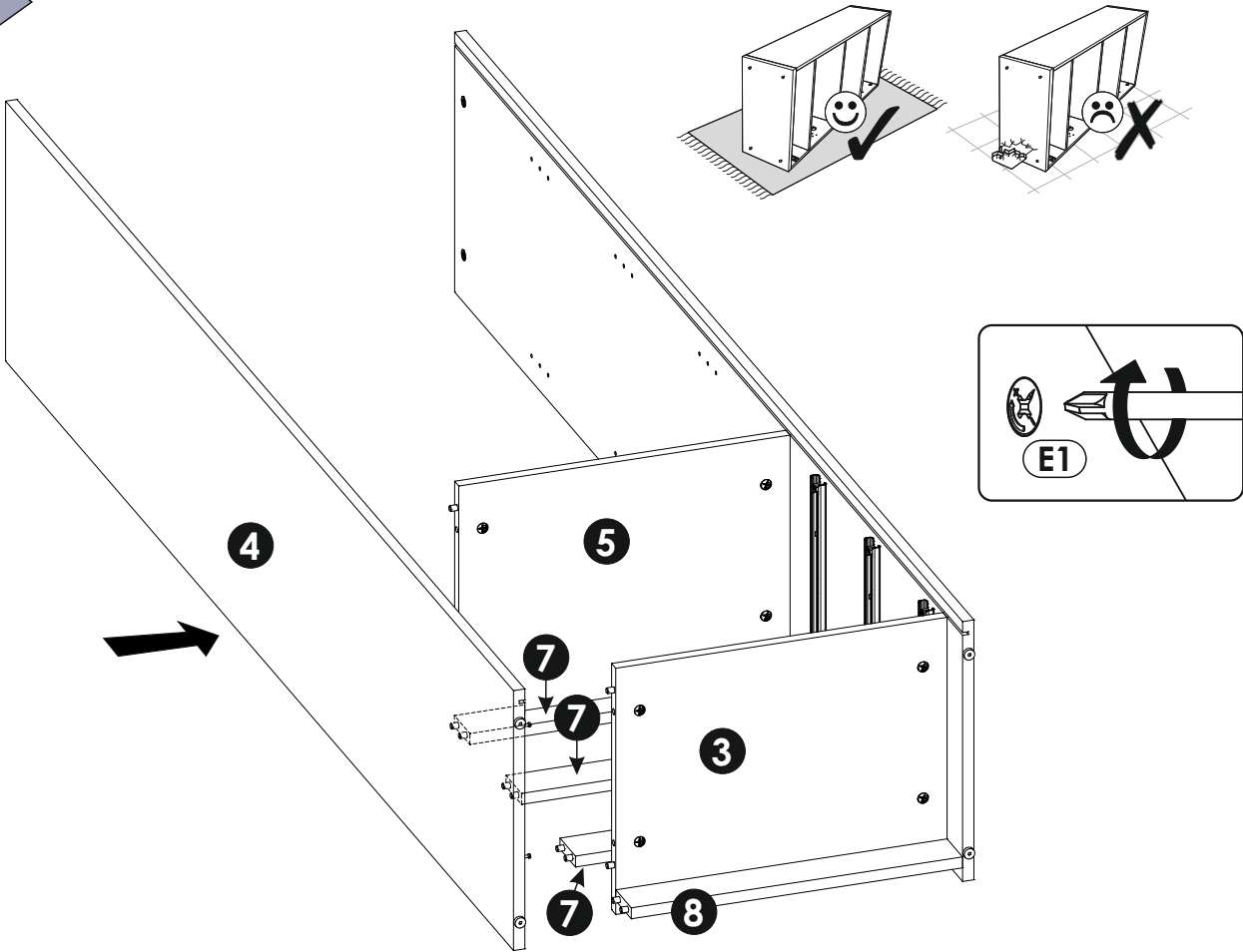
6 ▶



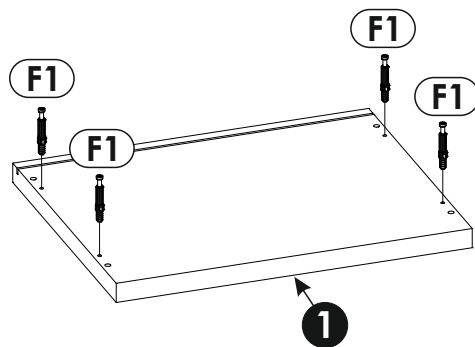
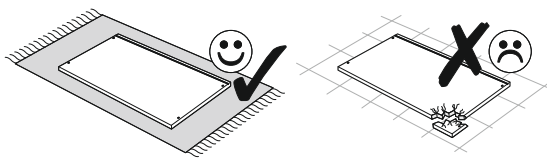
7 ▶



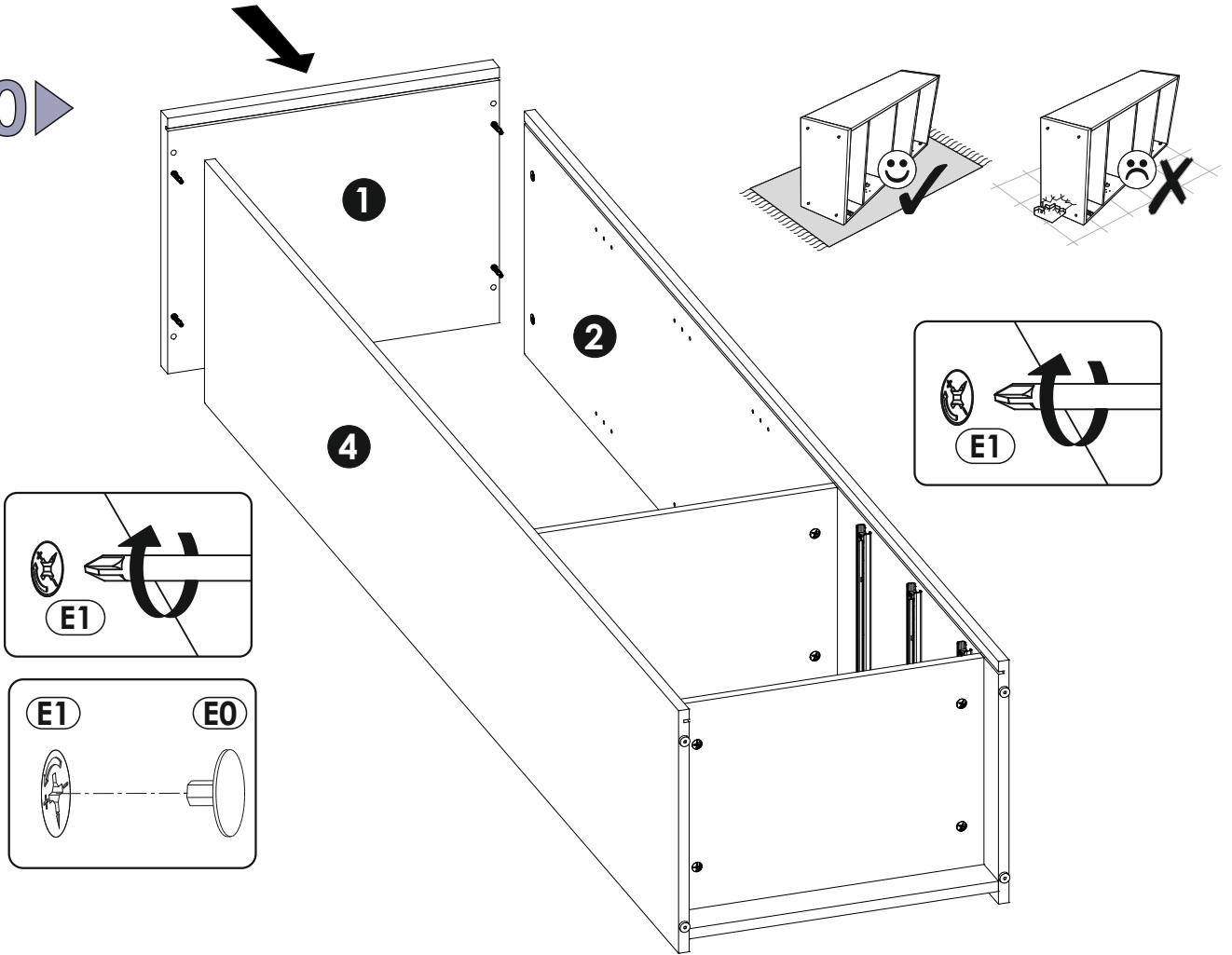
8 ▶



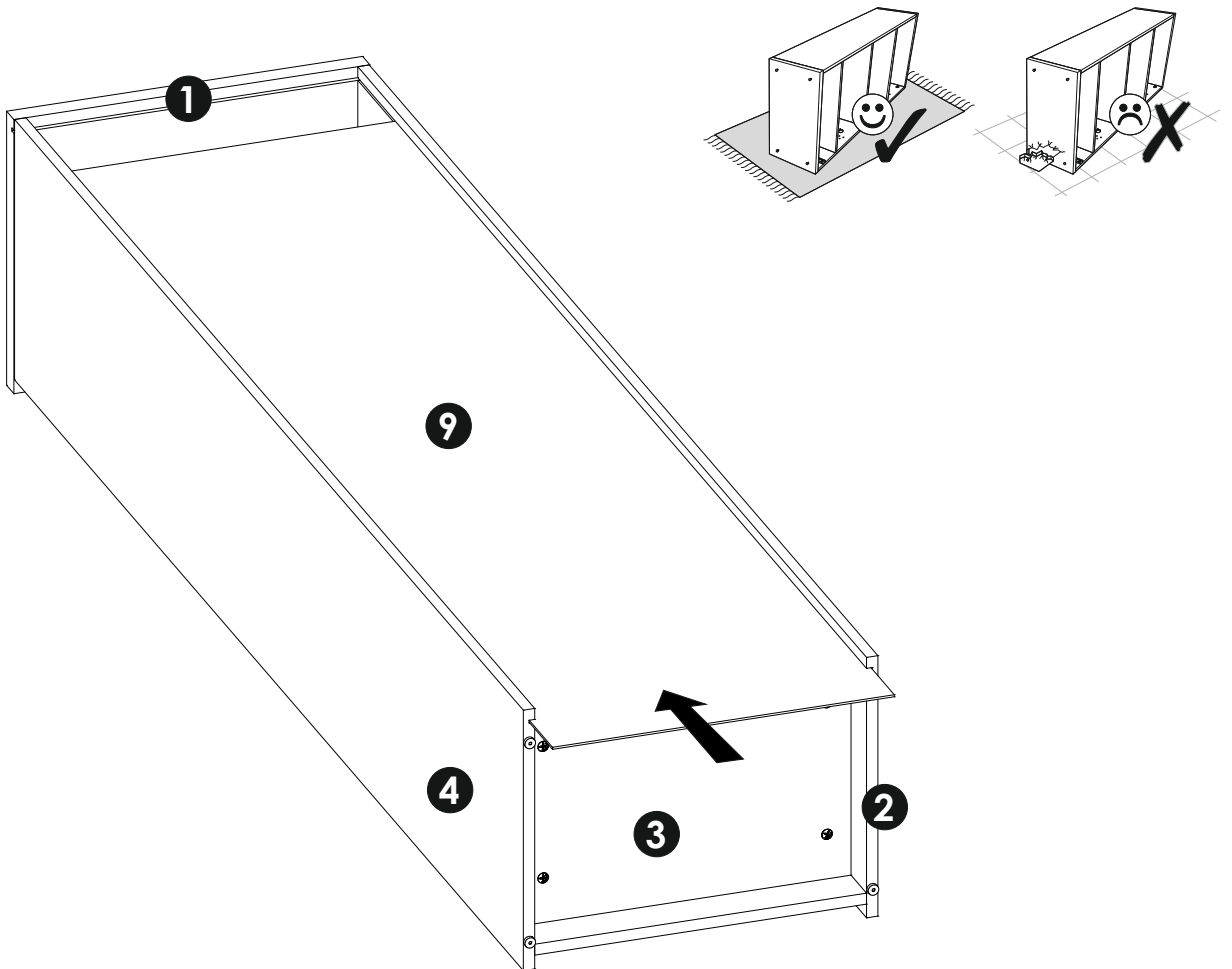
9 ▶



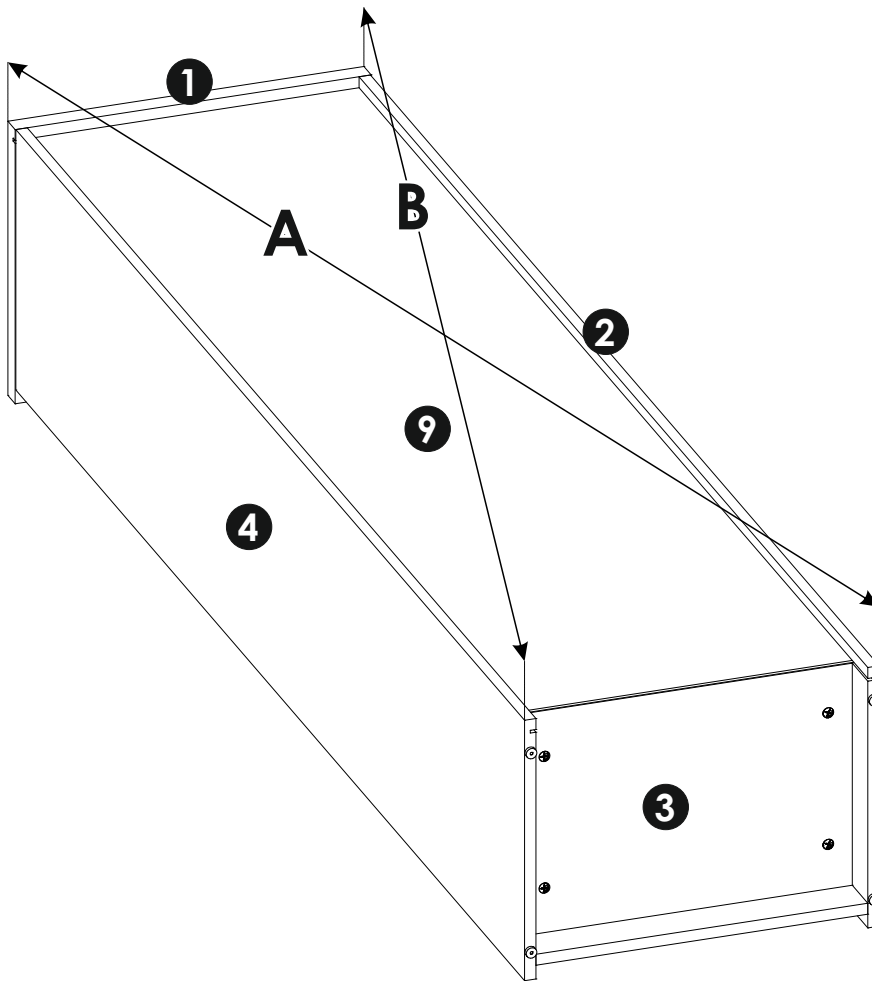
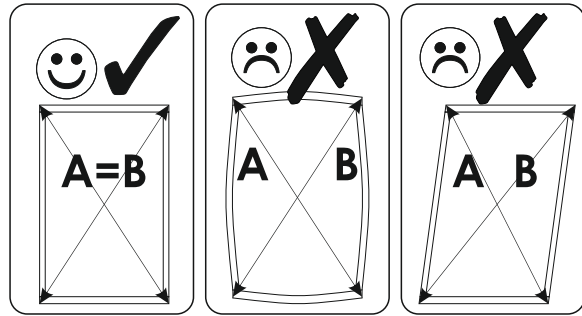
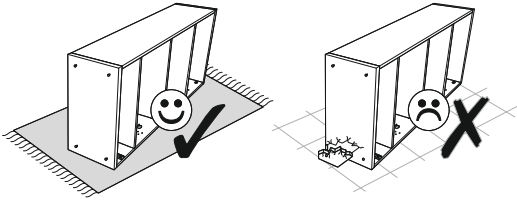
10 ▶



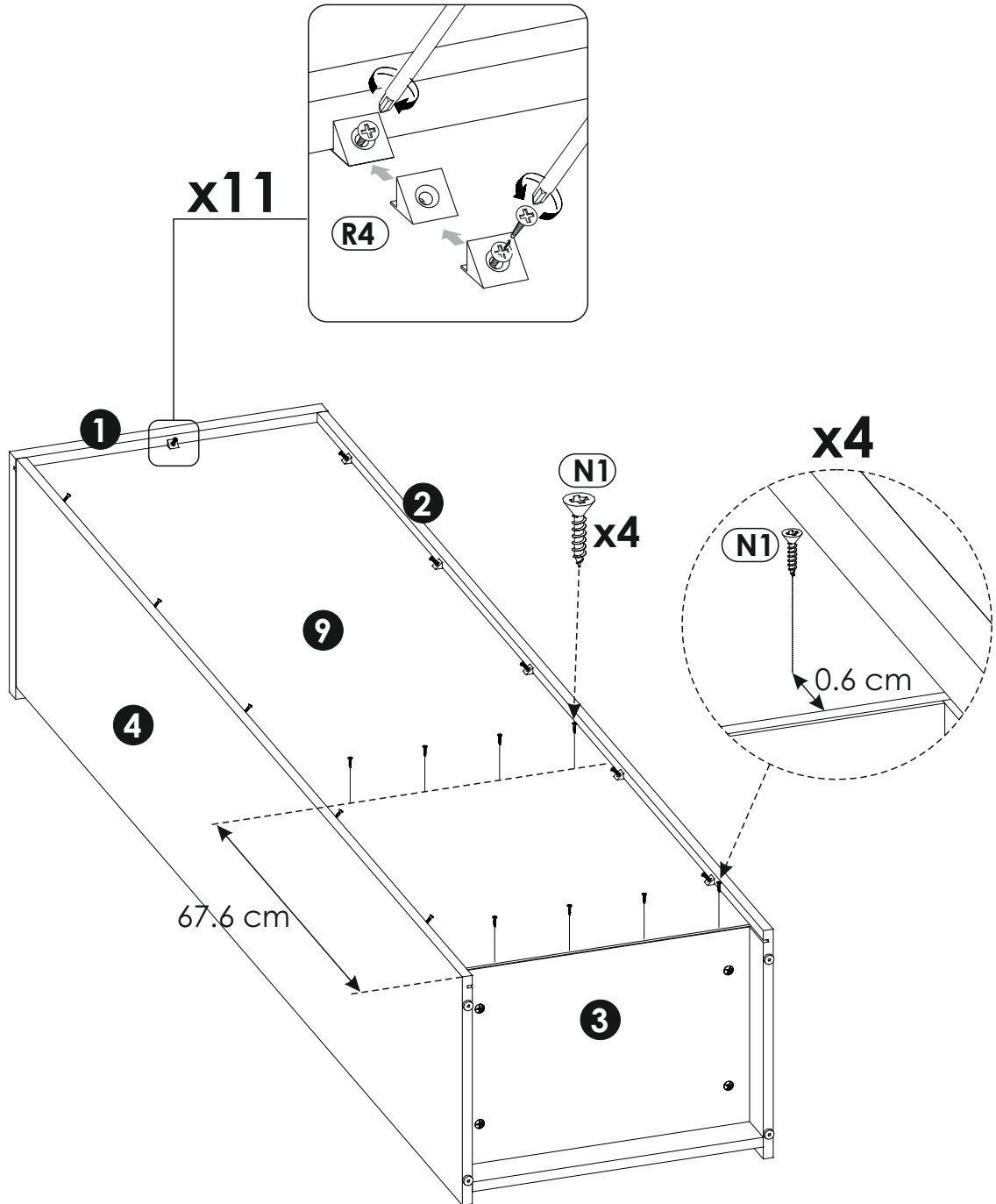
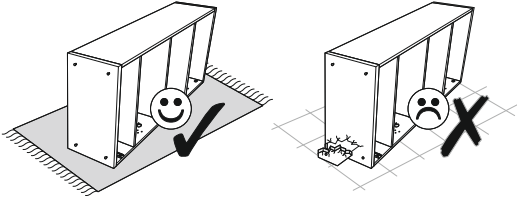
11 ▶



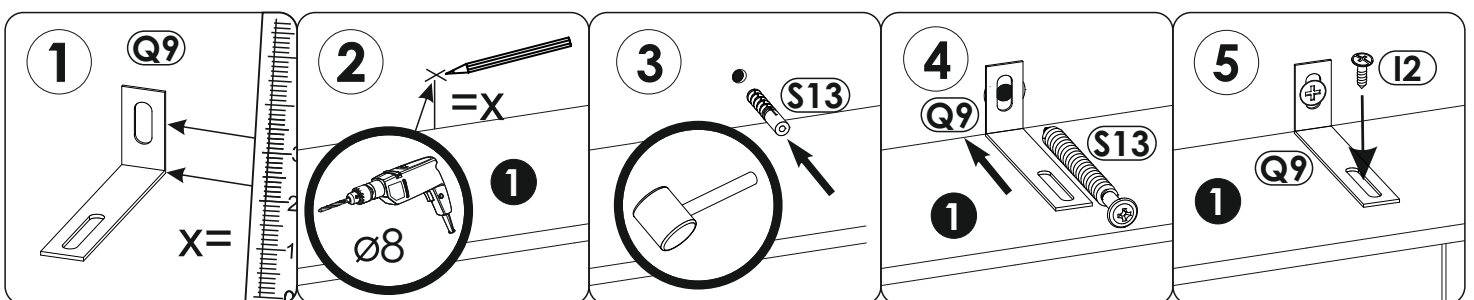
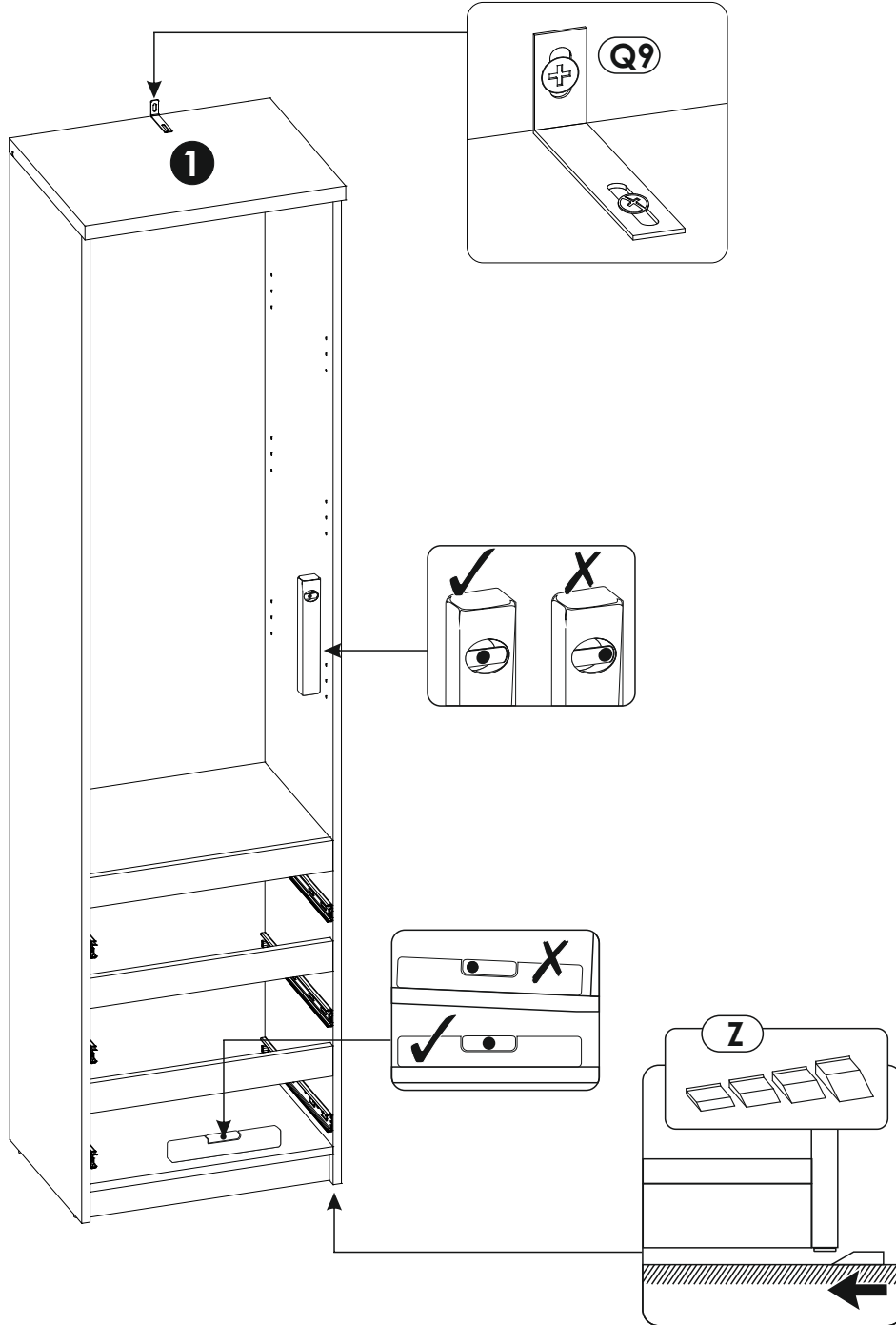
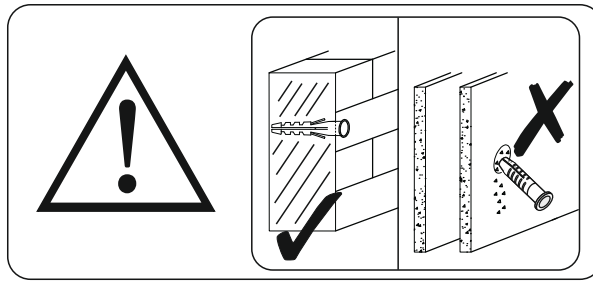
12▶



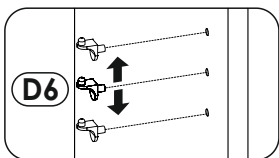
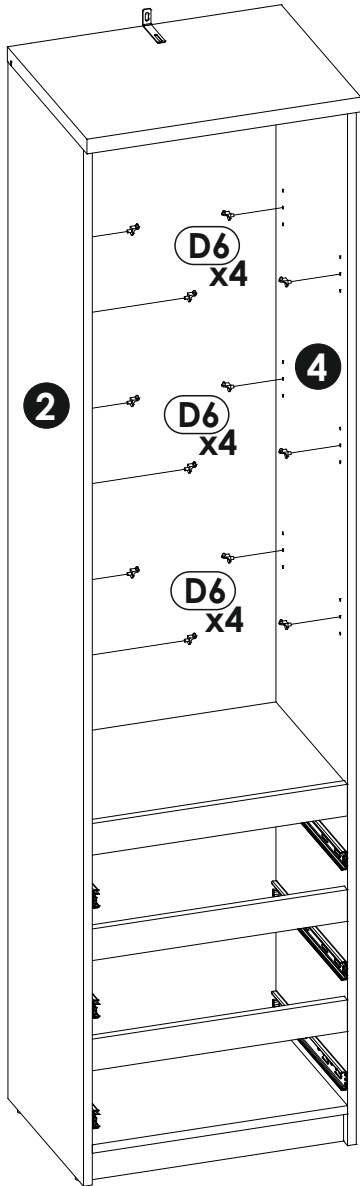
13▶



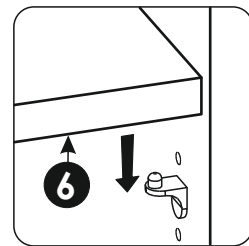
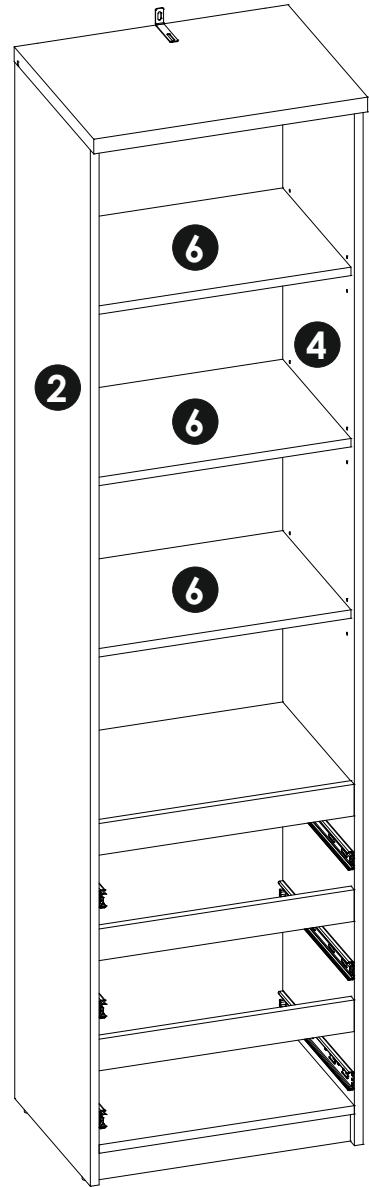
14 ▶



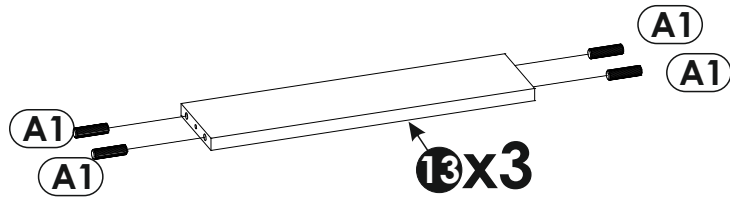
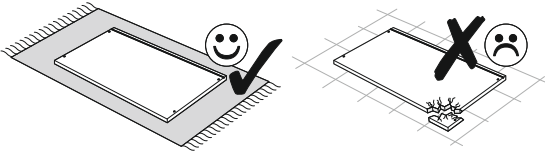
15▶



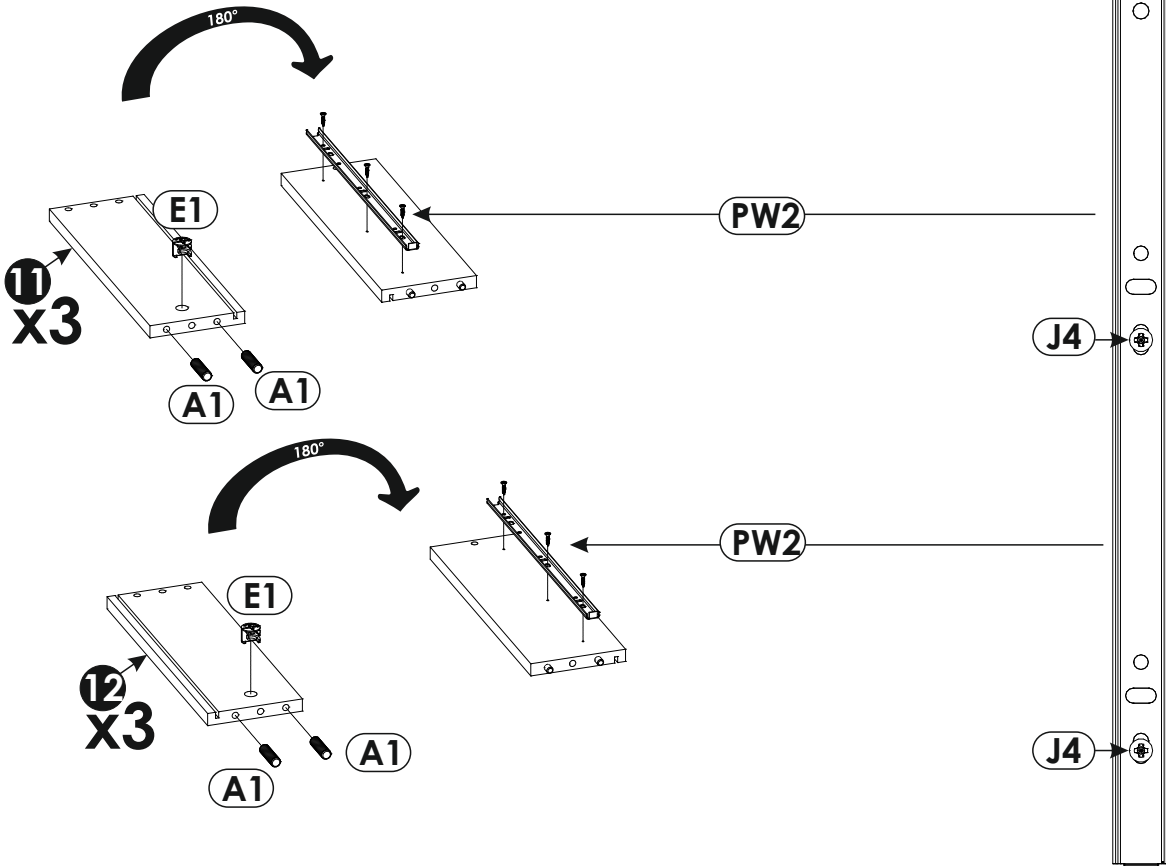
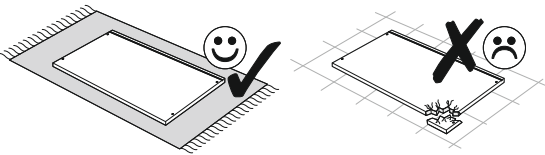
16▶



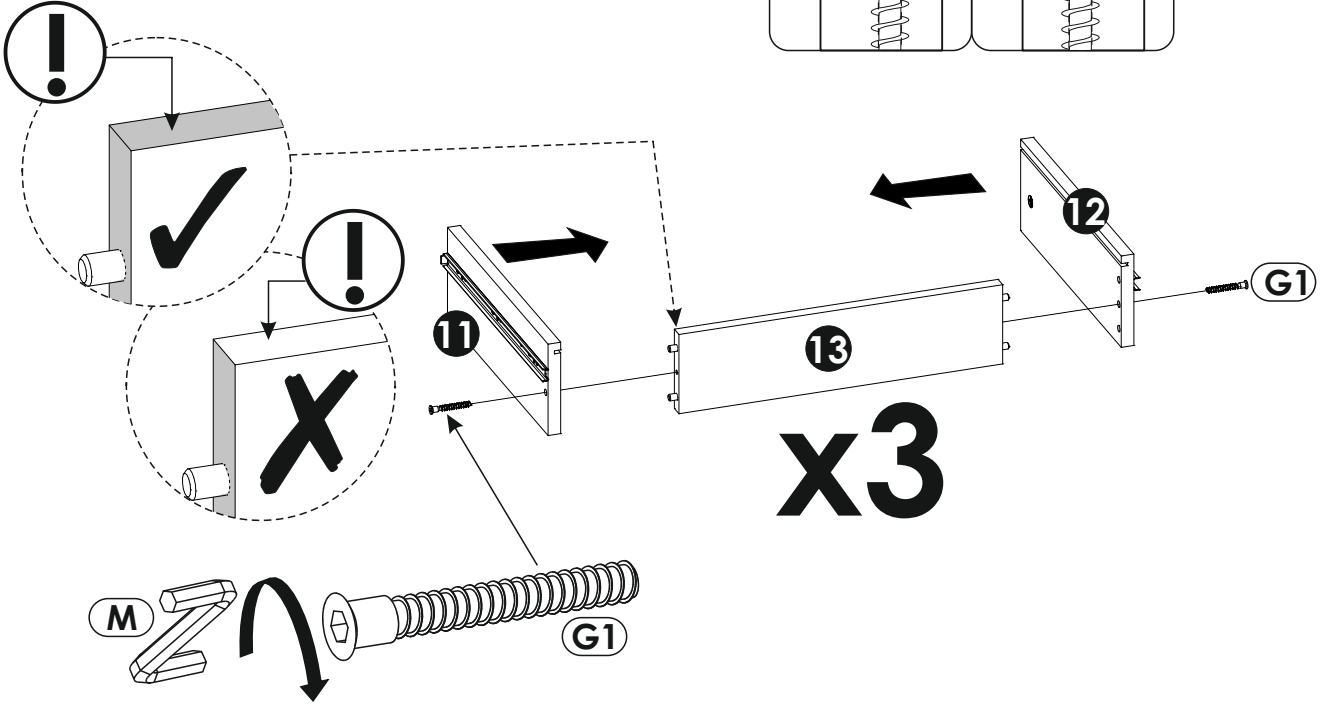
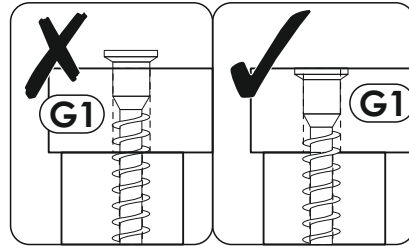
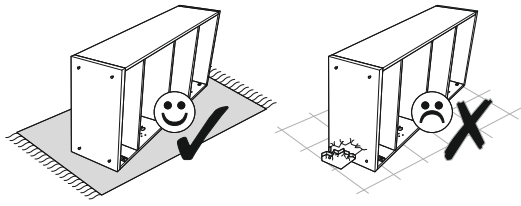
17▶



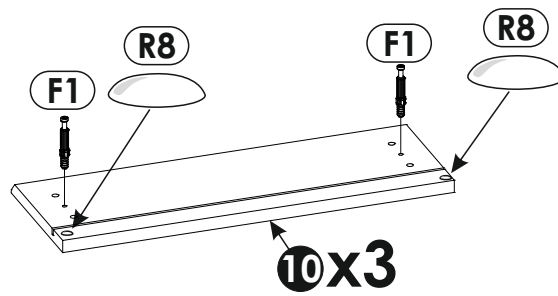
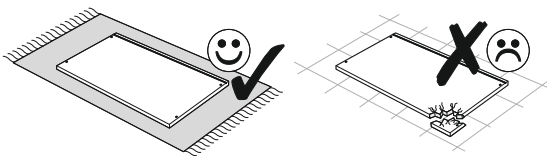
18▶



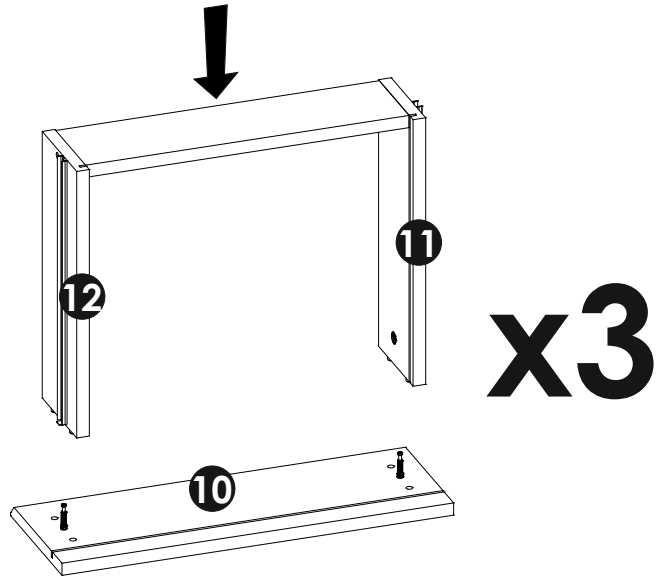
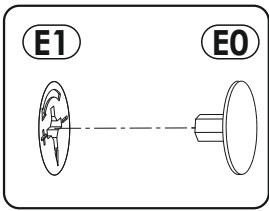
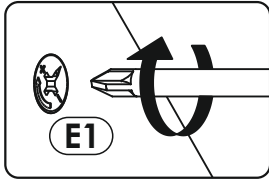
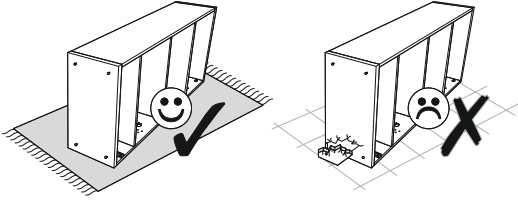
19▶



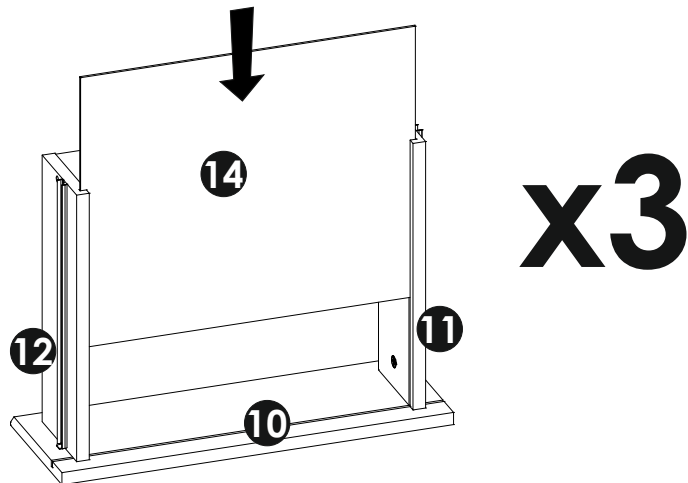
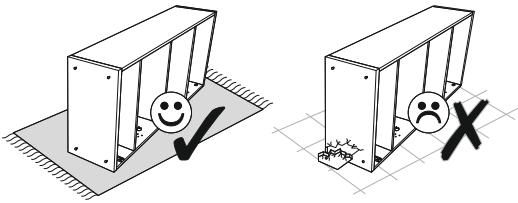
20▶

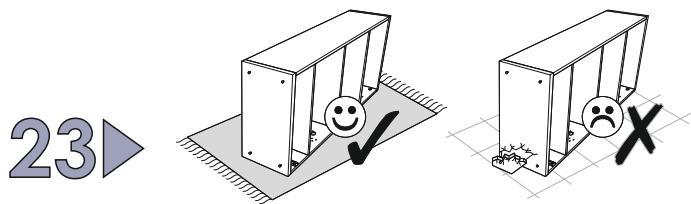


21▶

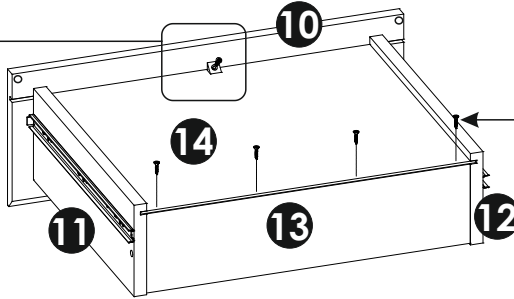
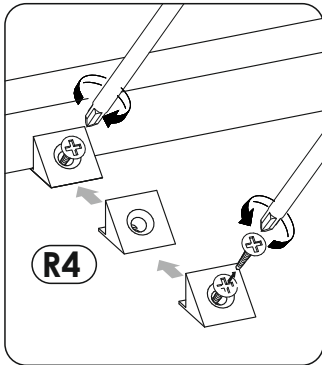


22▶

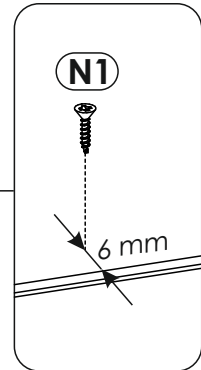




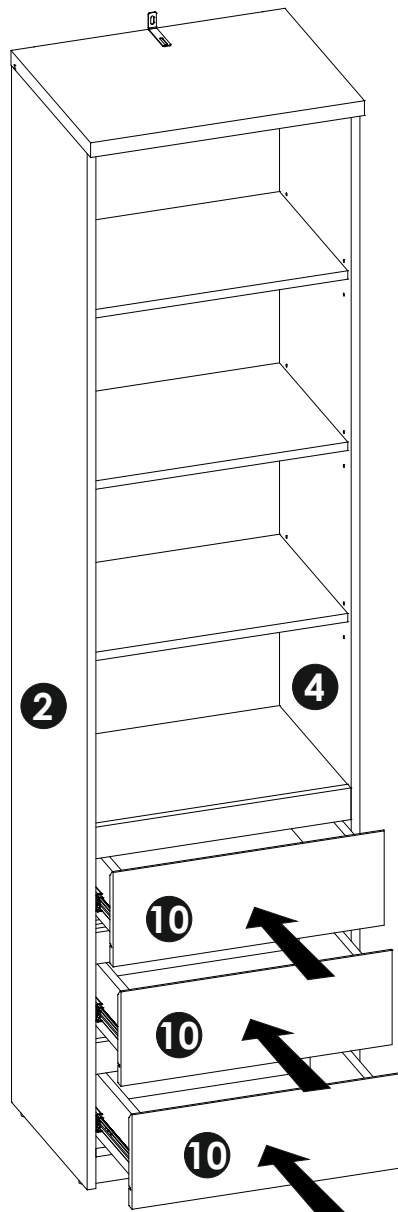
x3

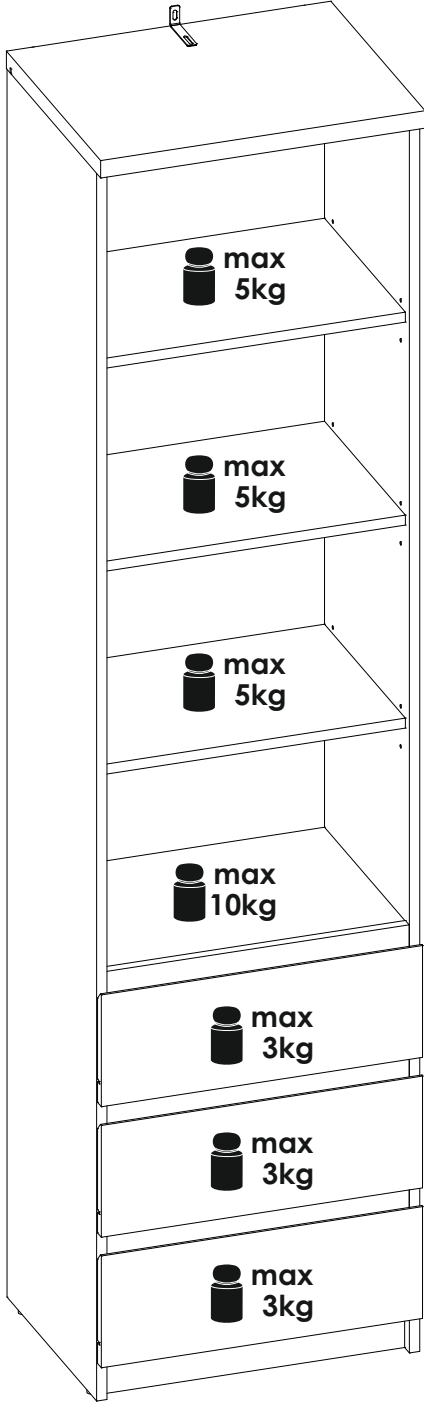


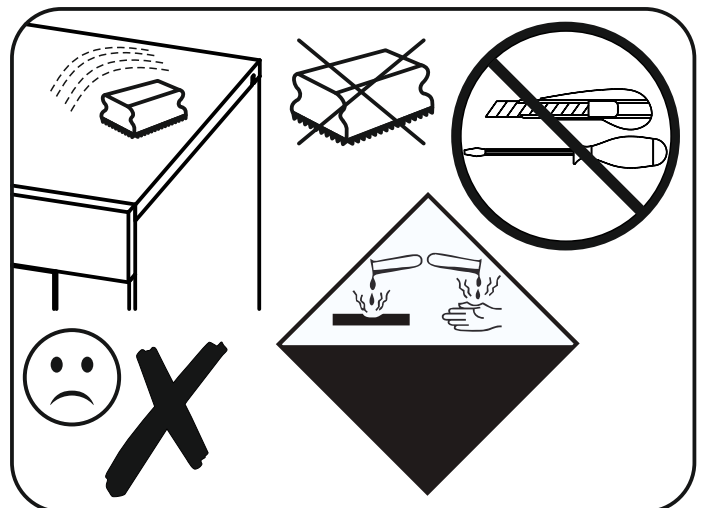
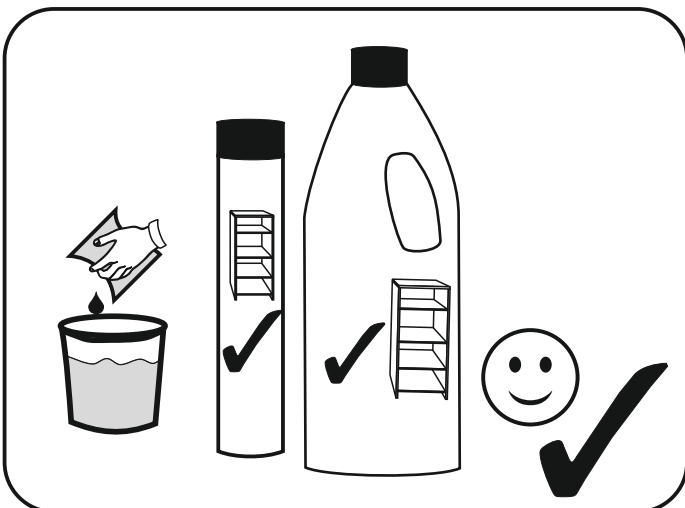
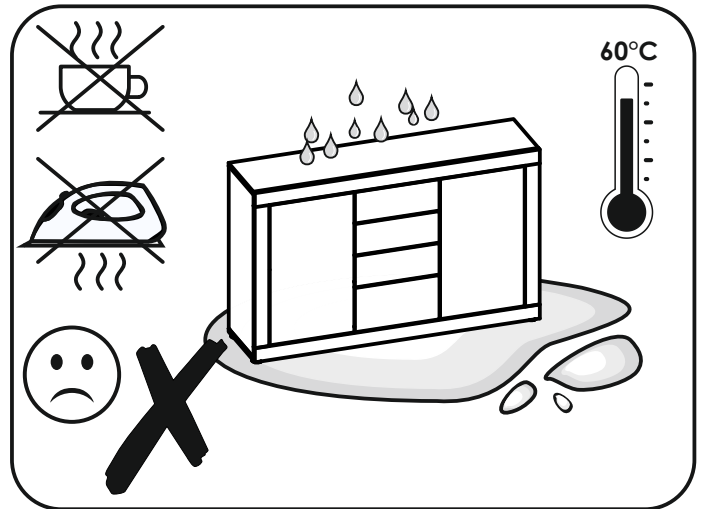
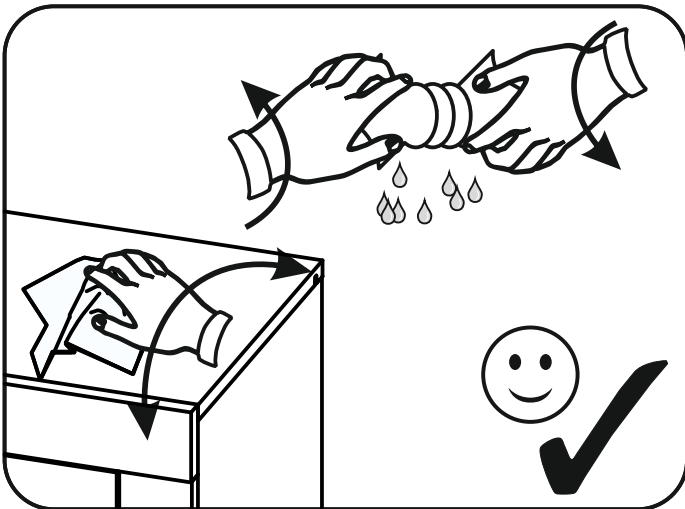
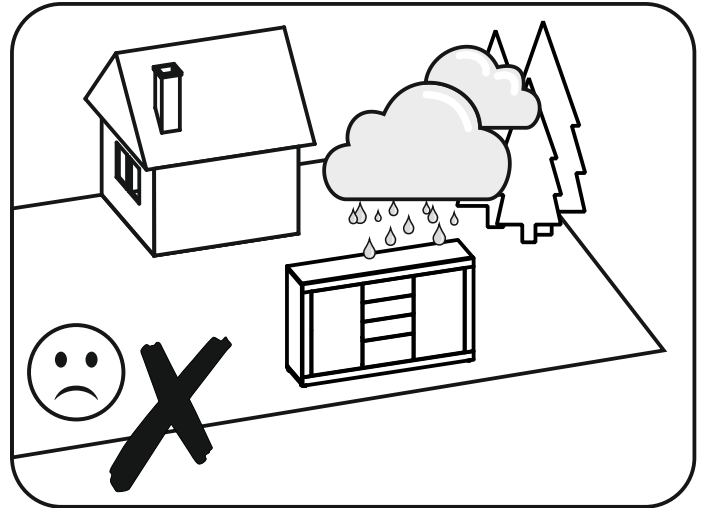
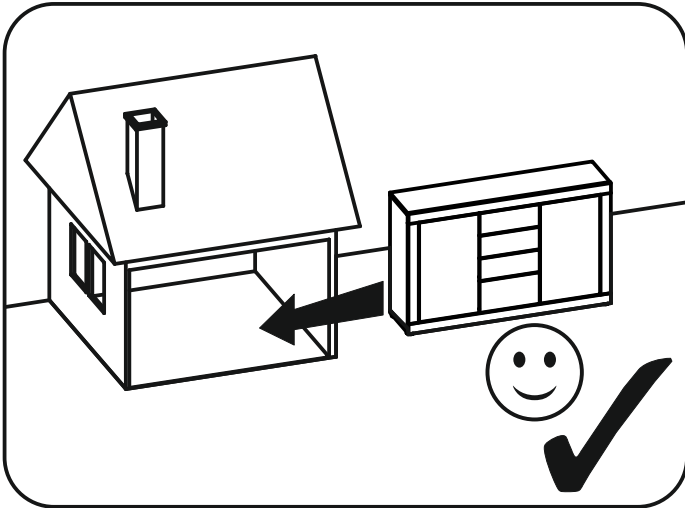
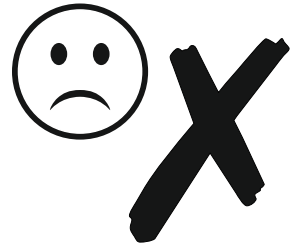
x4

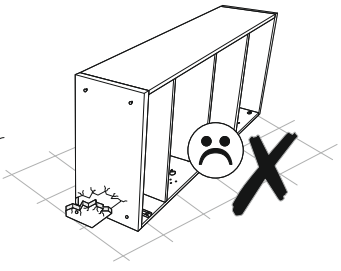
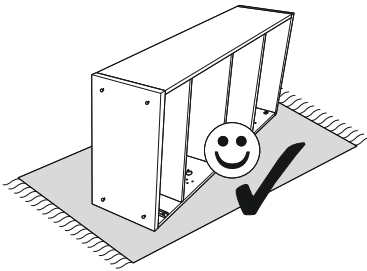
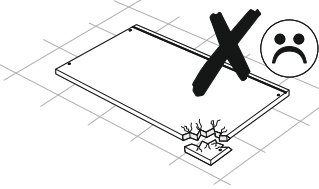
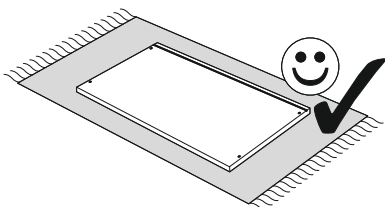
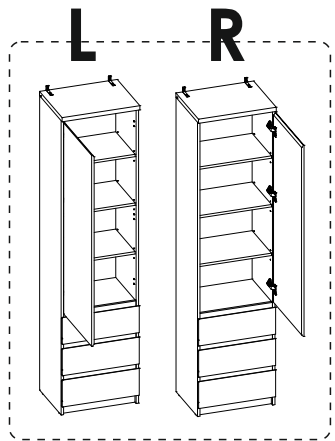
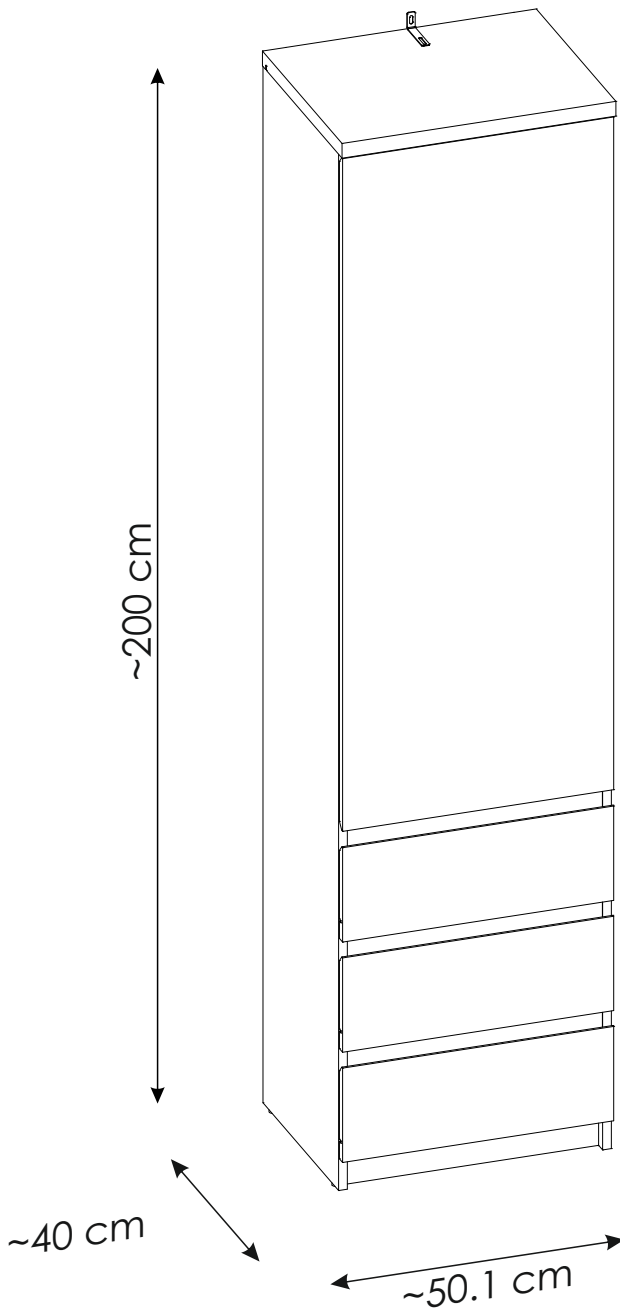
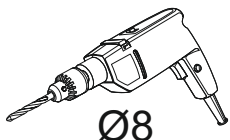
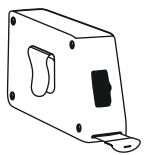
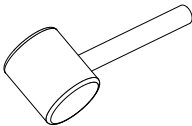
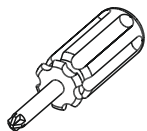
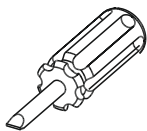
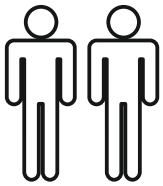


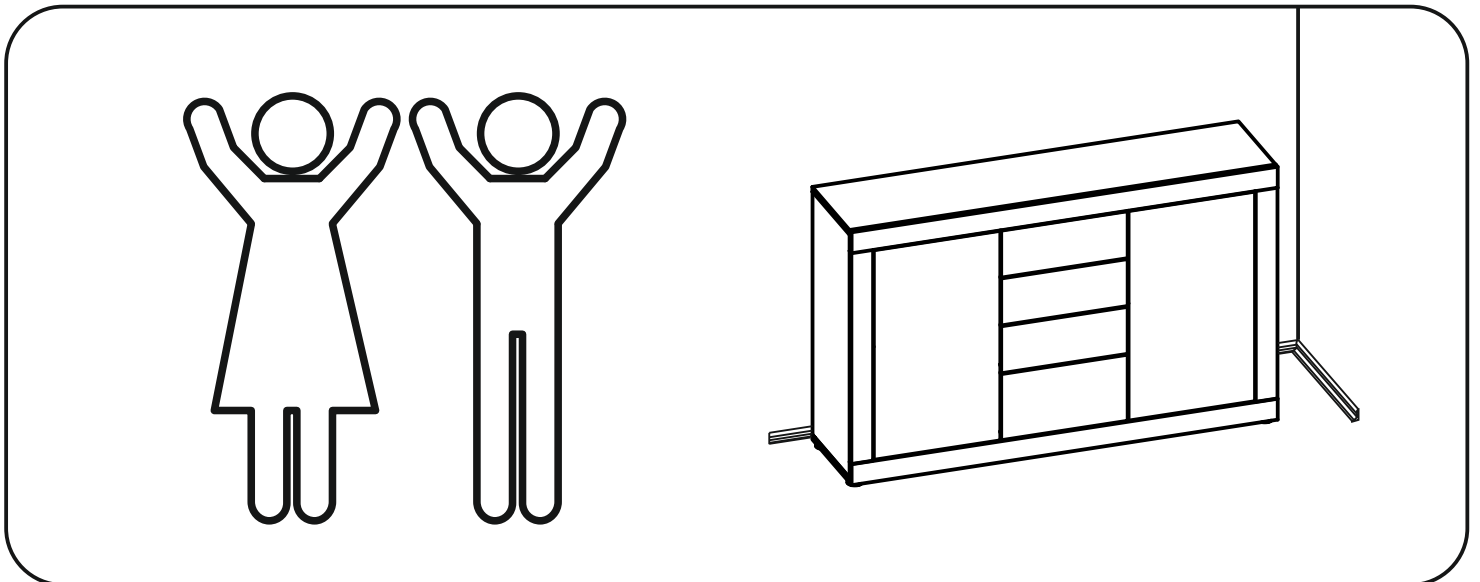
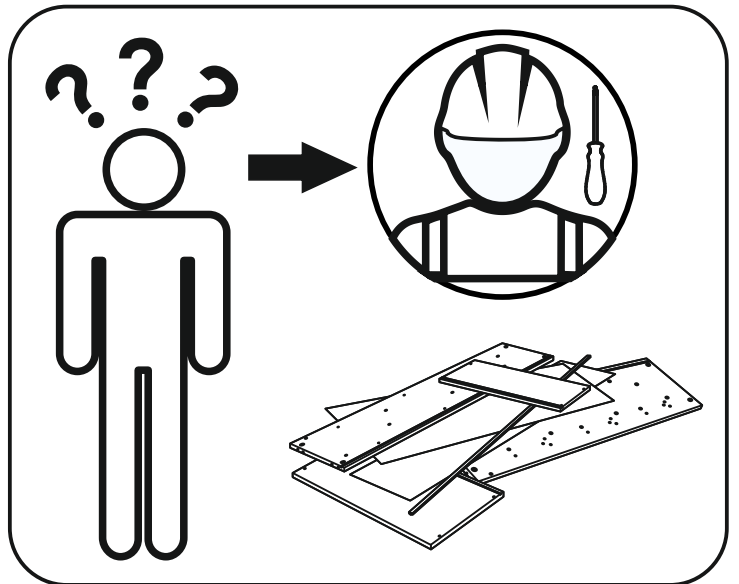
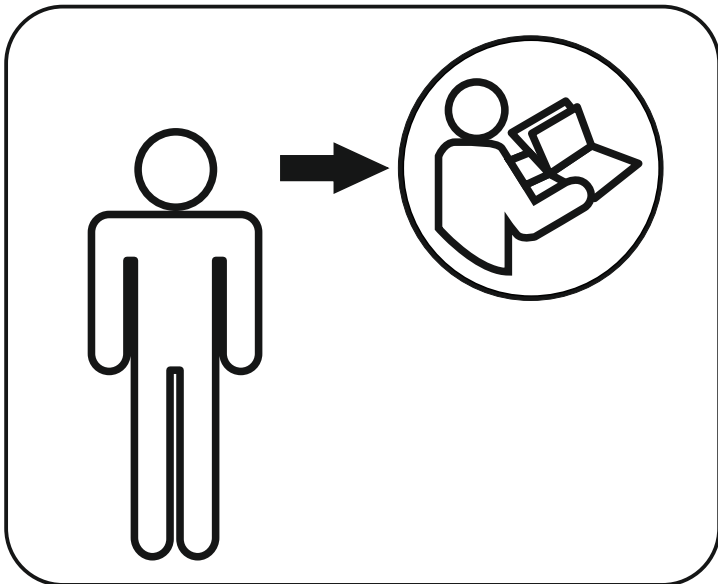
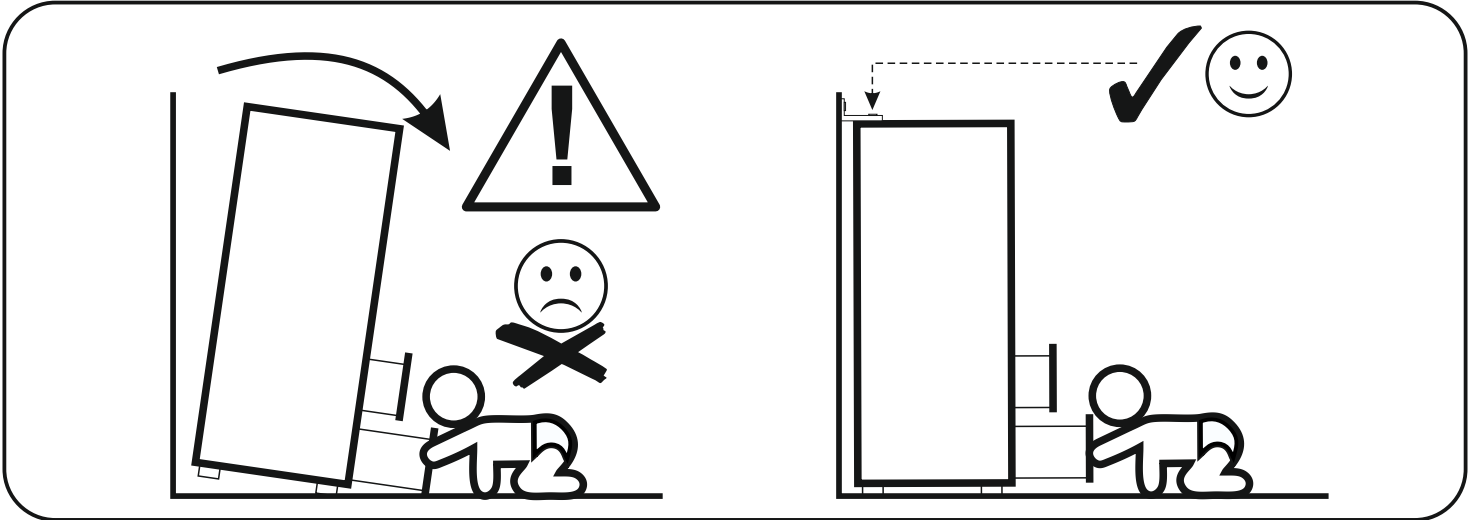
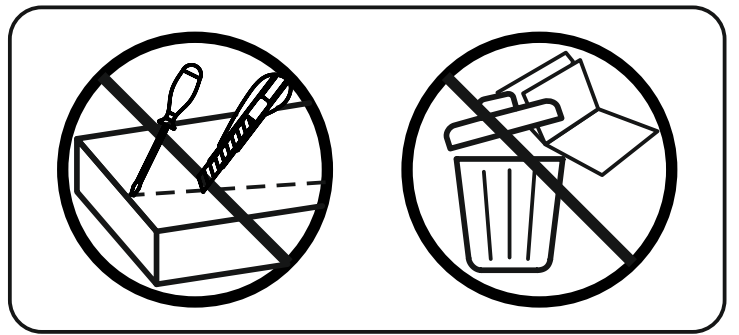
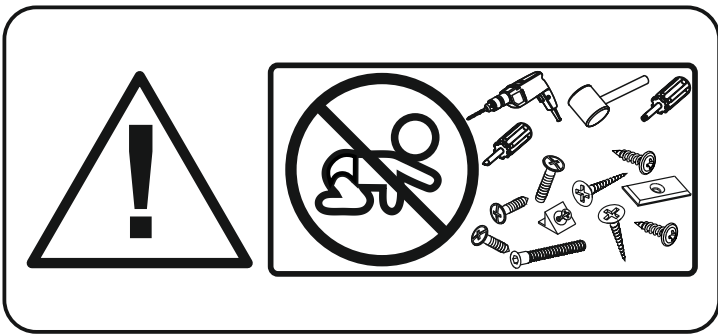
24 ▶

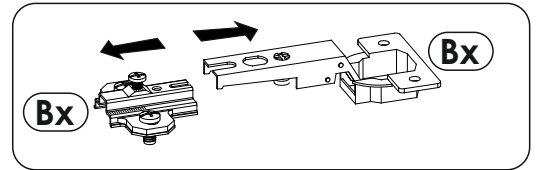
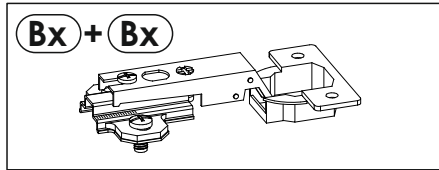
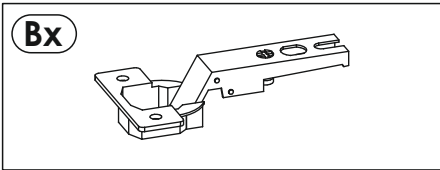
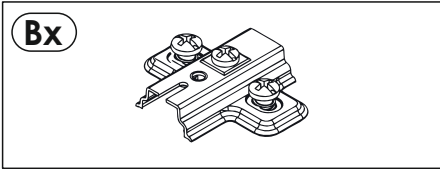


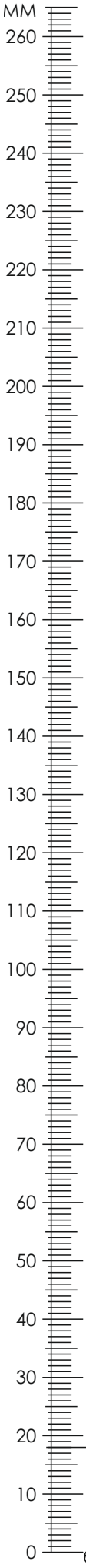


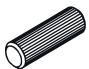
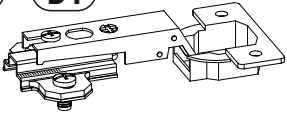


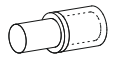


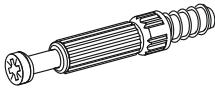
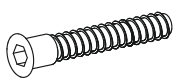


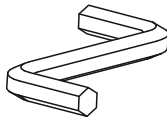
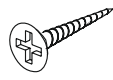
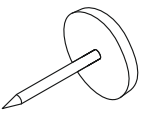
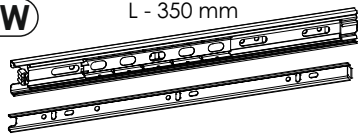
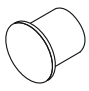
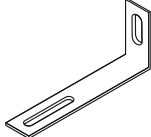
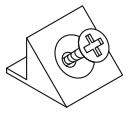
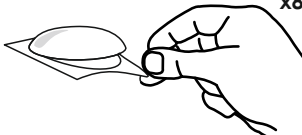
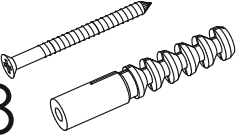
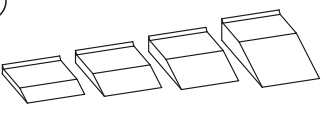


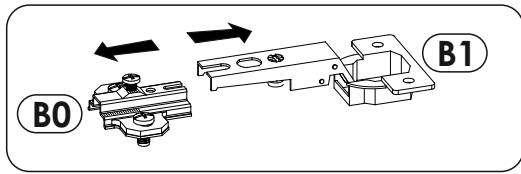


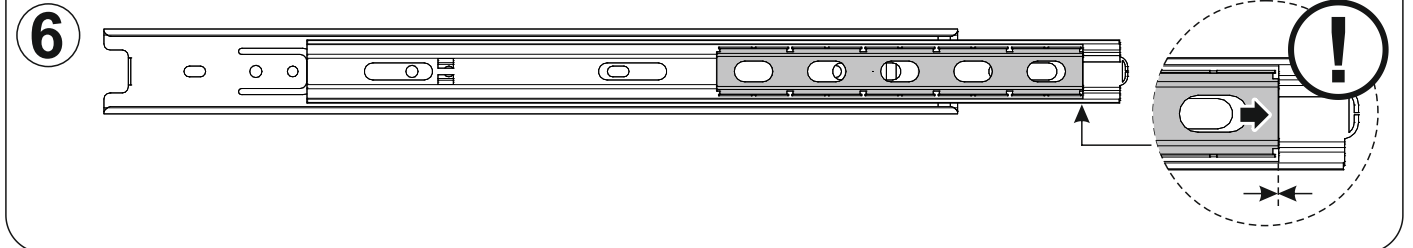
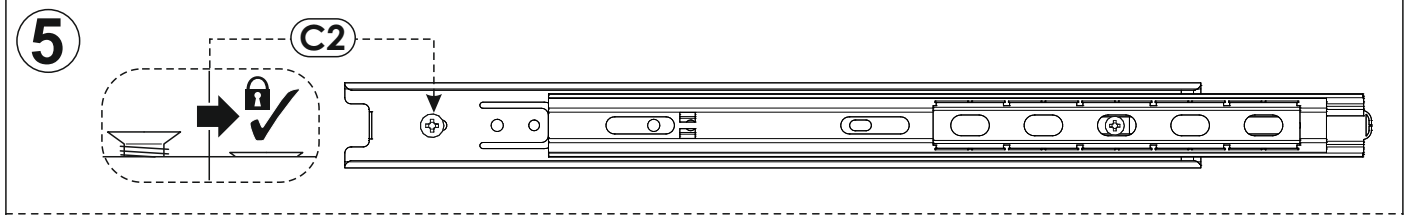
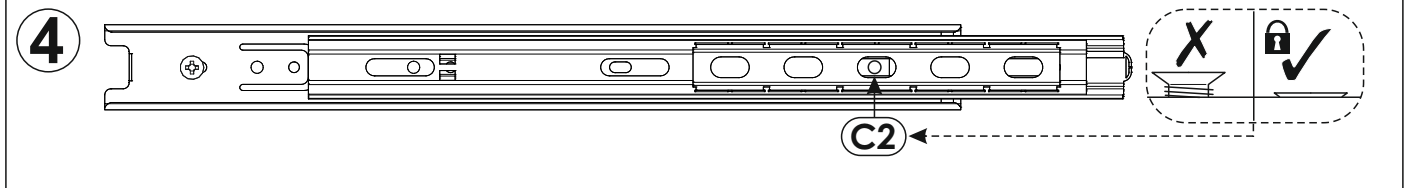
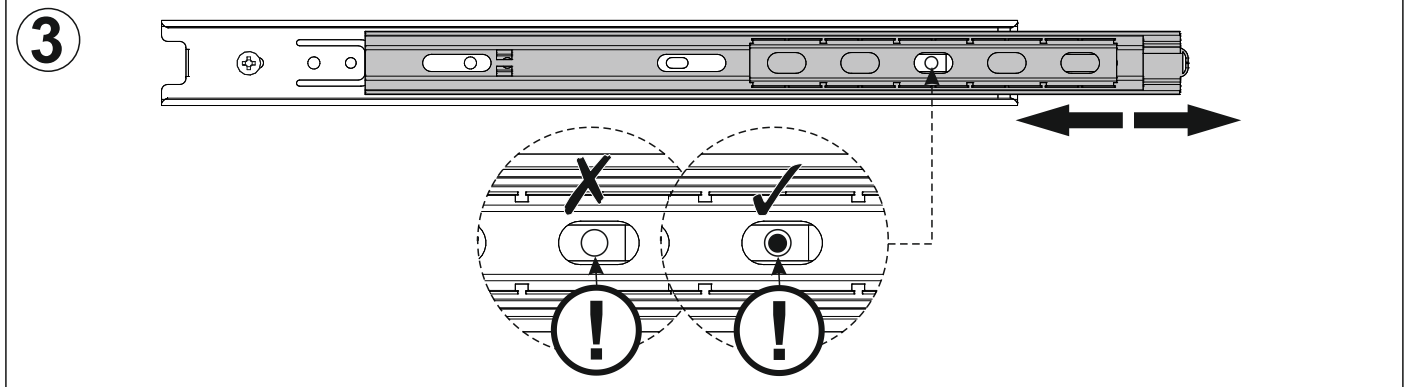
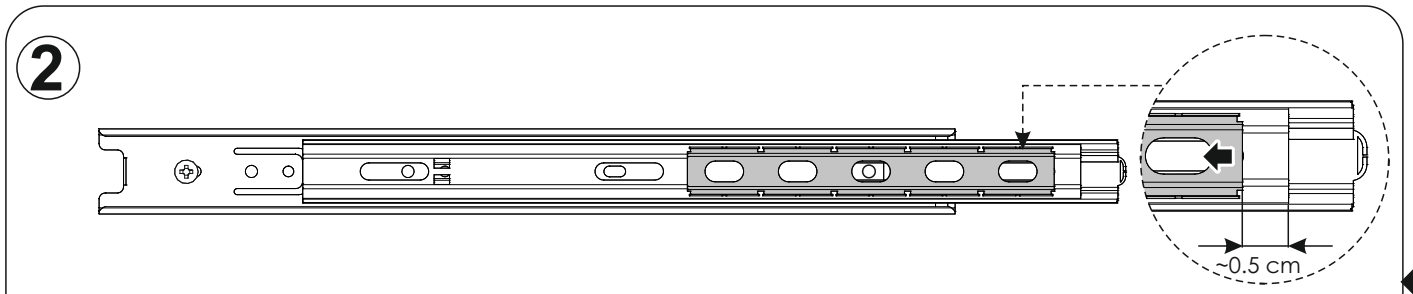
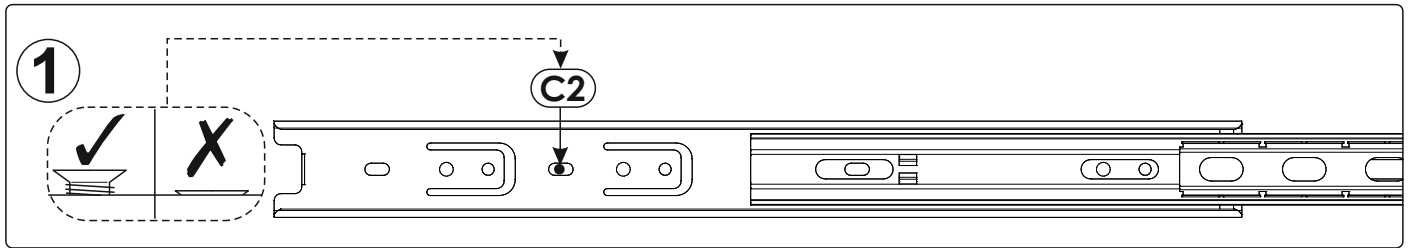
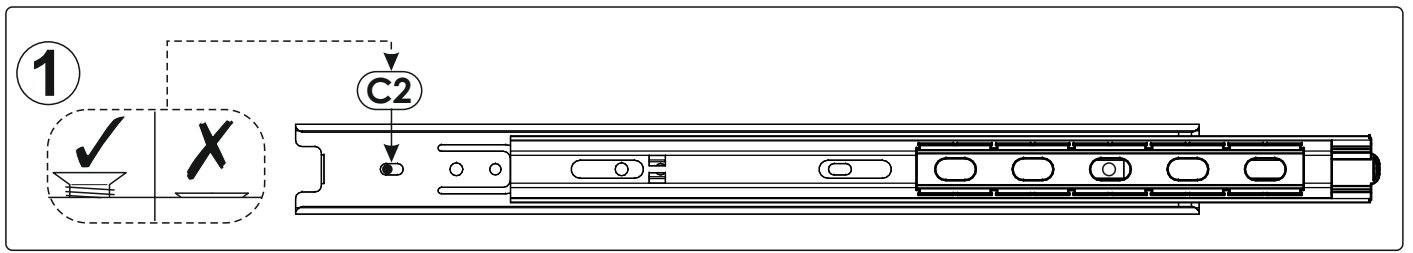


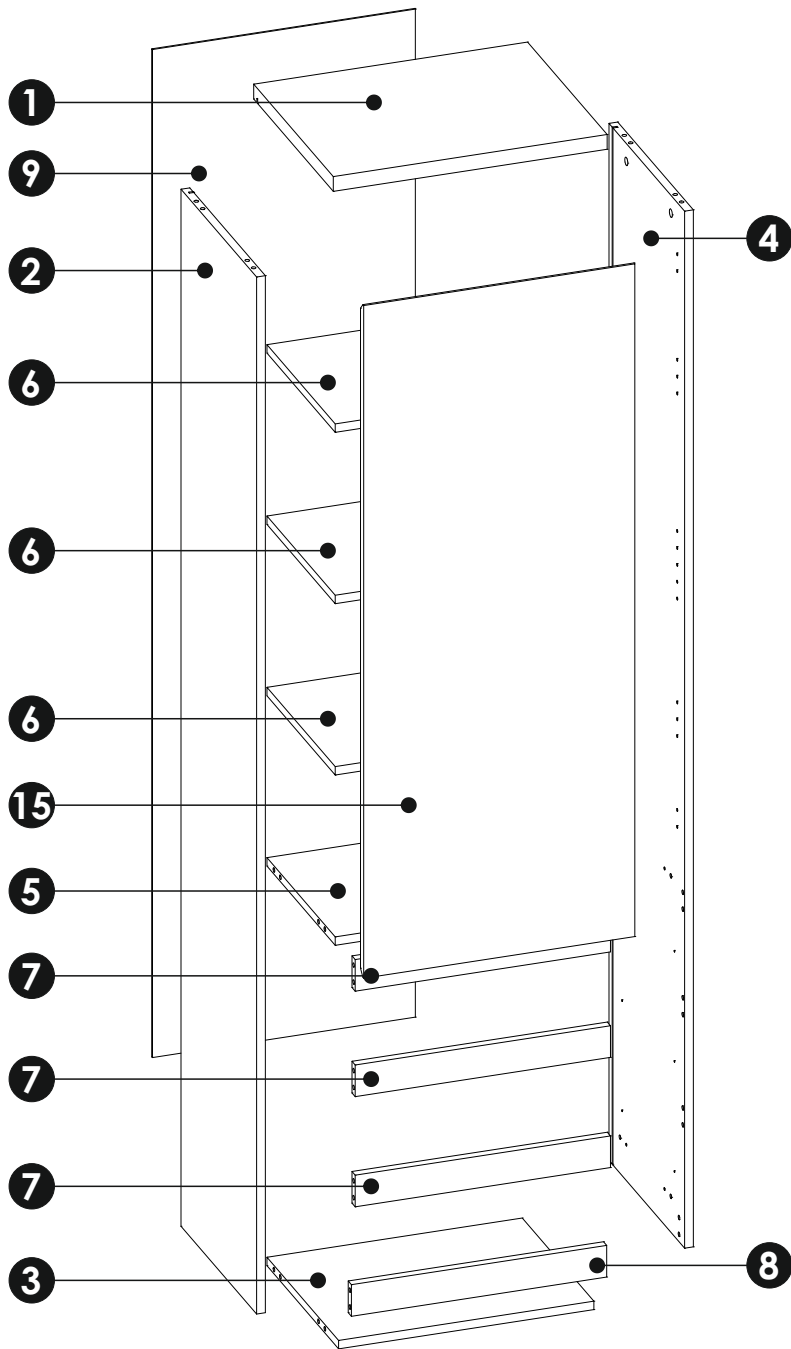
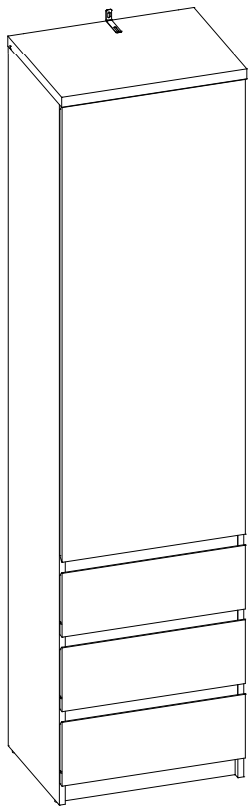




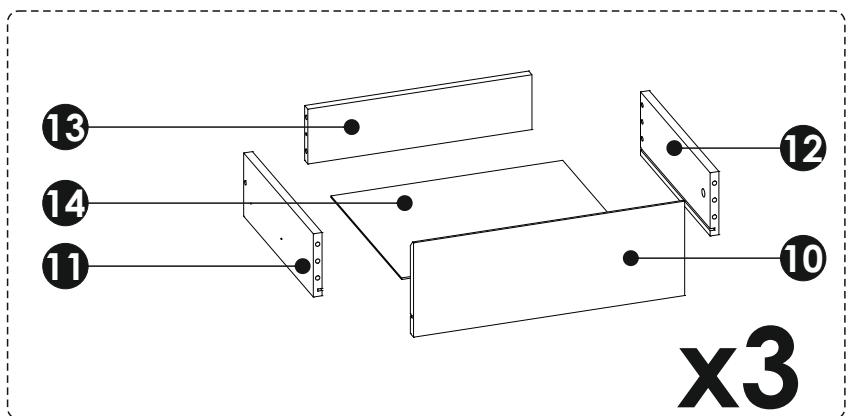
A1 8 x 35 mm x52 	B0 + B1 x3 	C1 4 x 13 mm x6 
C2 5 x 13 mm x12 	D2 x12 	E0 x10 
E1 15 x 12 mm x18 	F1 6 x 34 mm x18 	G1 7 x 50 mm x6 
I2 4 x 16 mm x1 	J4 3,5 x 16 mm x18 	M x1 
N1 3 X 16 mm x20 	O2 x4 	PW L - 350 mm x6 
P0 x6 	Q9 x1 	R4 x14 
R8 x8 	S13 x1 Ø8 	Z x1 

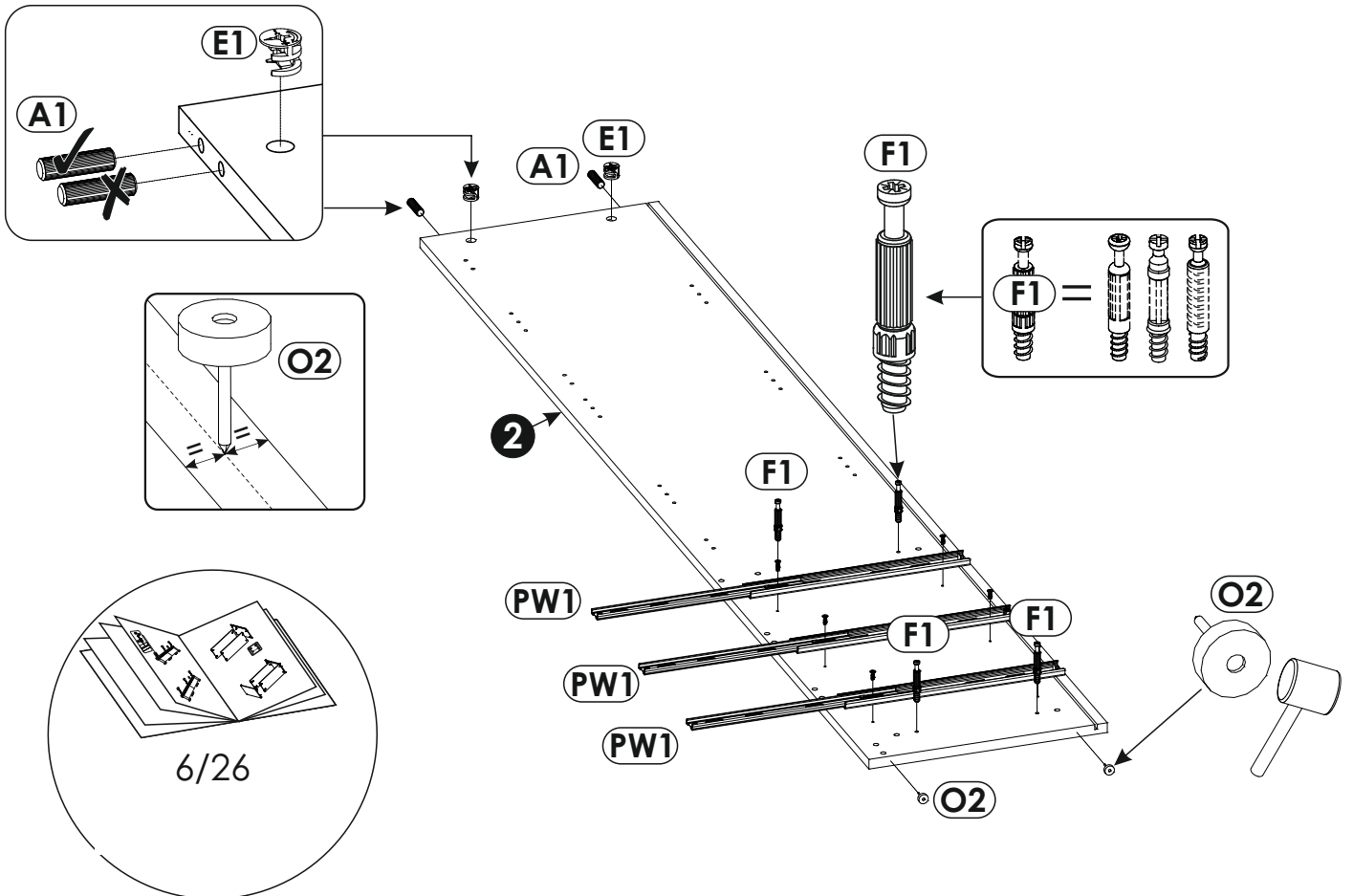
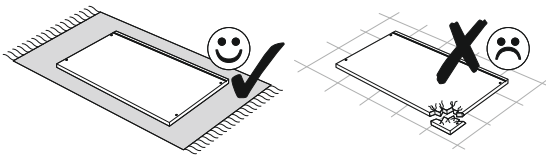
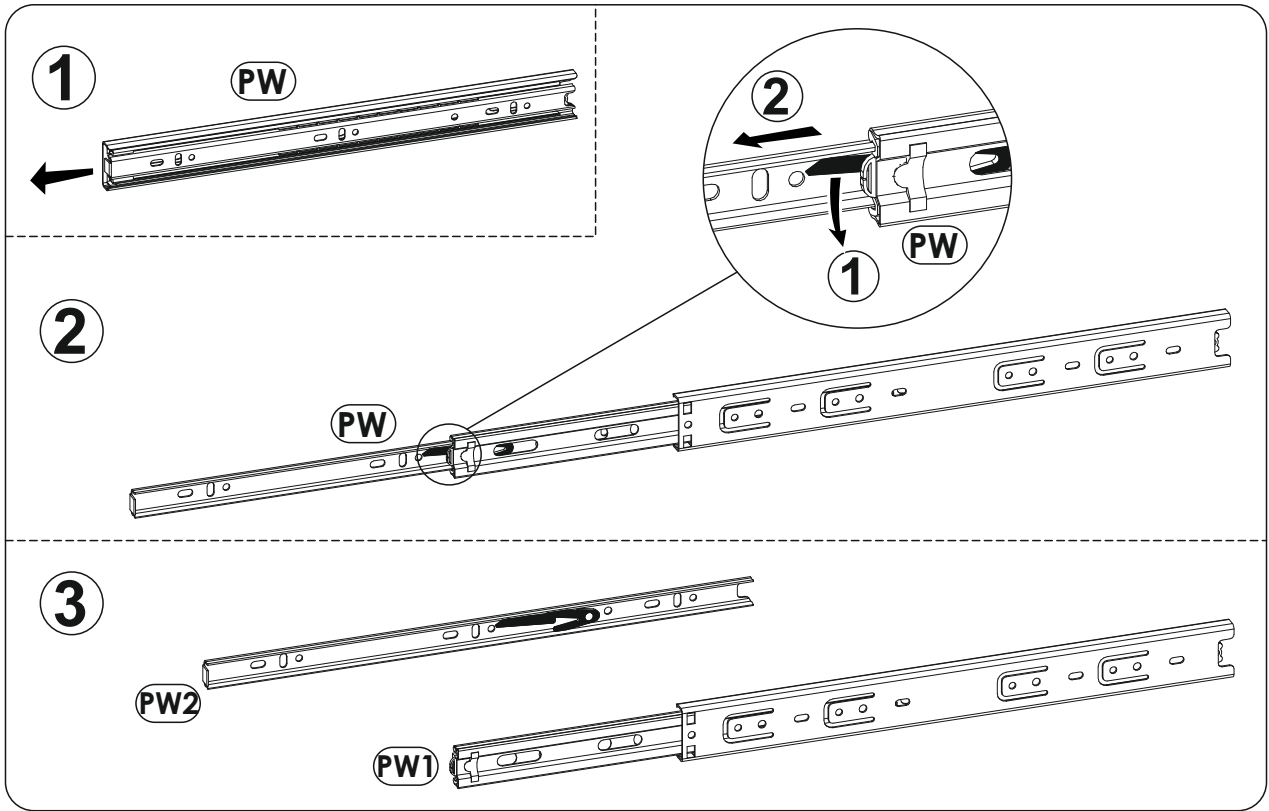




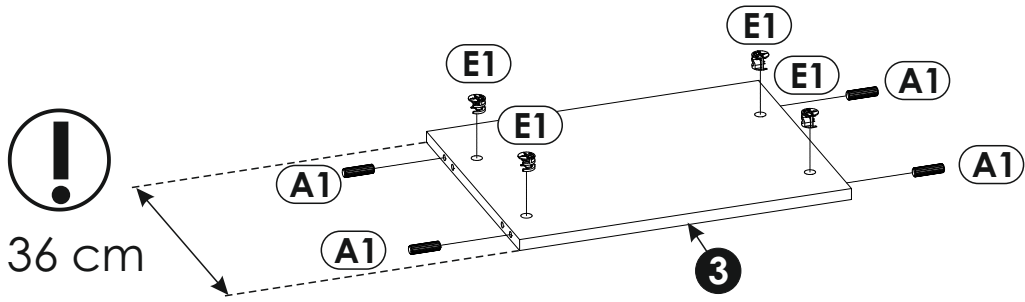
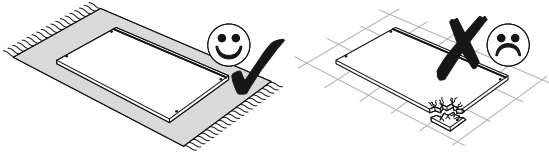


1	501	400	28	x1	1/2
2	1967	380	16	x1	2/2
3	467	360	16	x1	1/2
4	1967	380	16	x1	2/2
5	467	343	16	x1	1/2
6	467	343	16	x3	1/2
7	467	60	16	x3	1/2
8	467	60	16	x1	1/2
9	1912	481	3	x1	2/2
10	496	179	16	x3	2/2
11	350	120	16	x3	1/2
12	350	120	16	x3	1/2
13	410	104	16	x3	1/2
14	424	355	3	x3	1/2
15	1276	496	16	x1	2/2

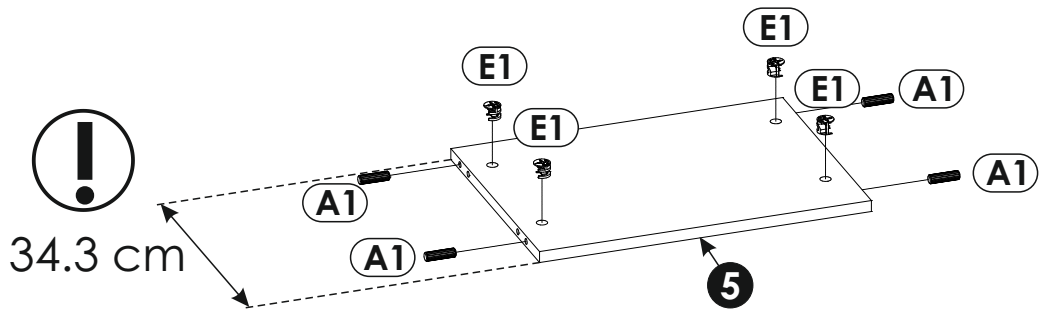
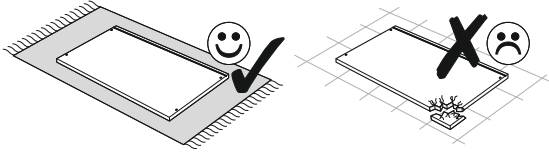


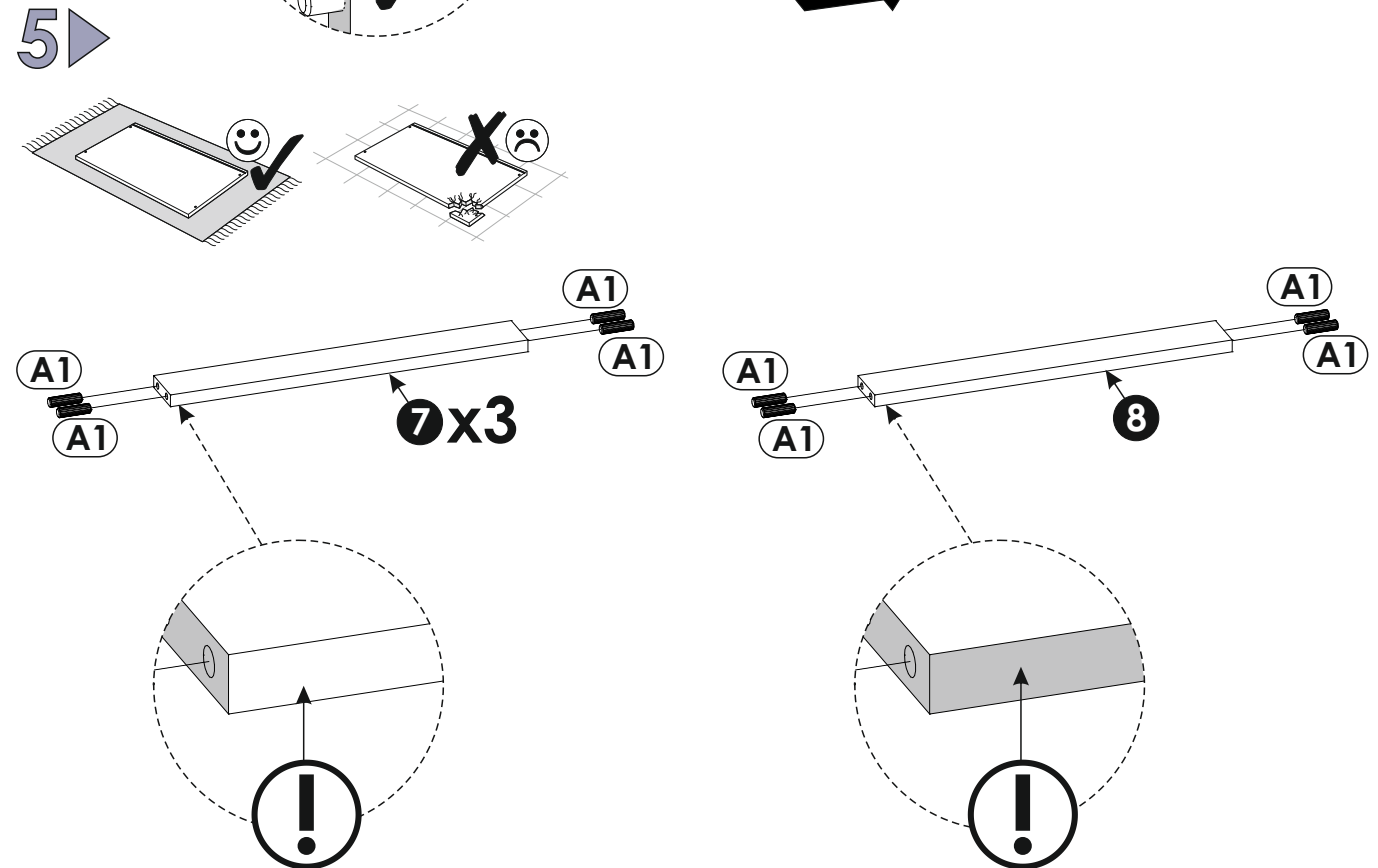
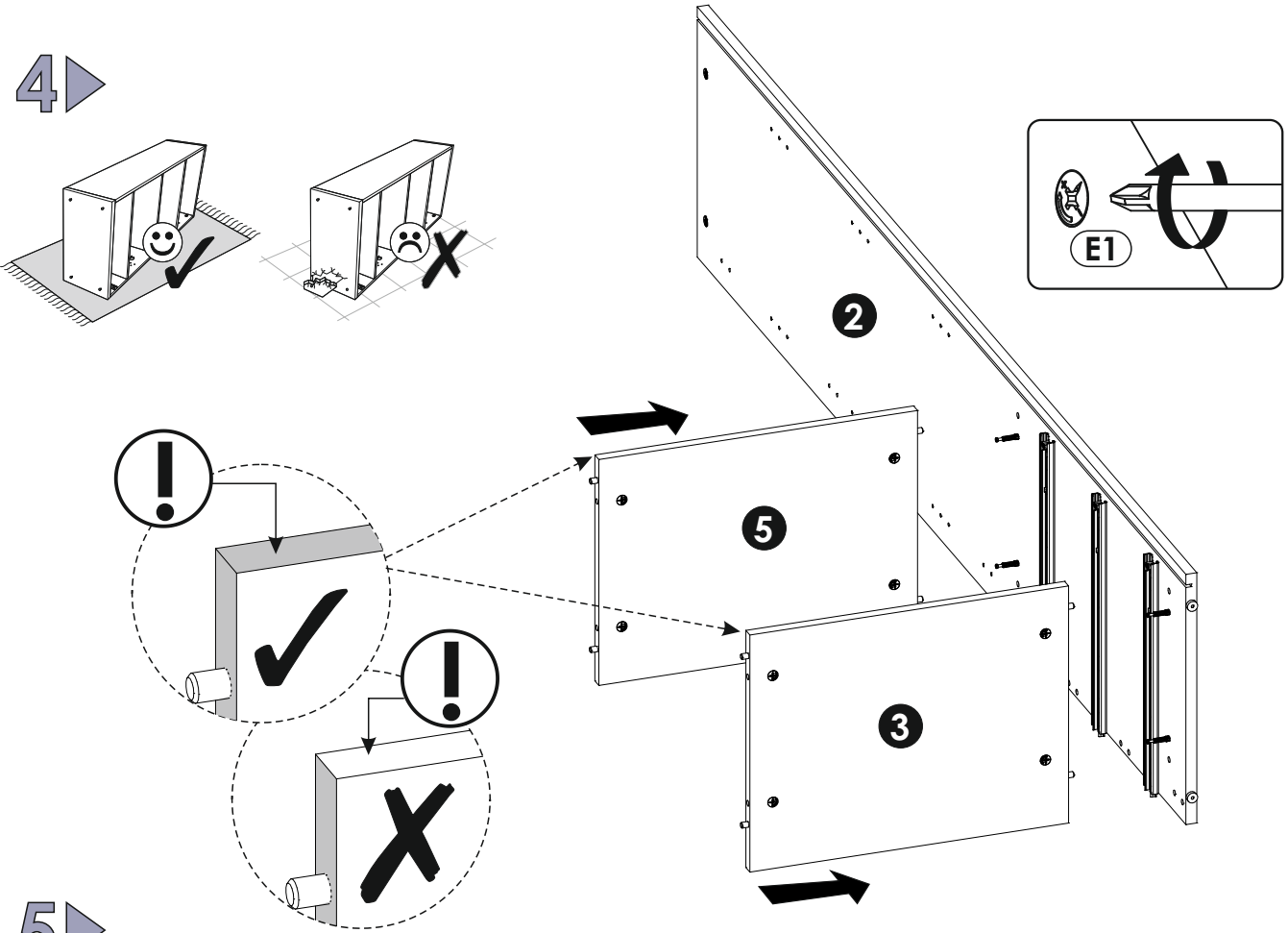
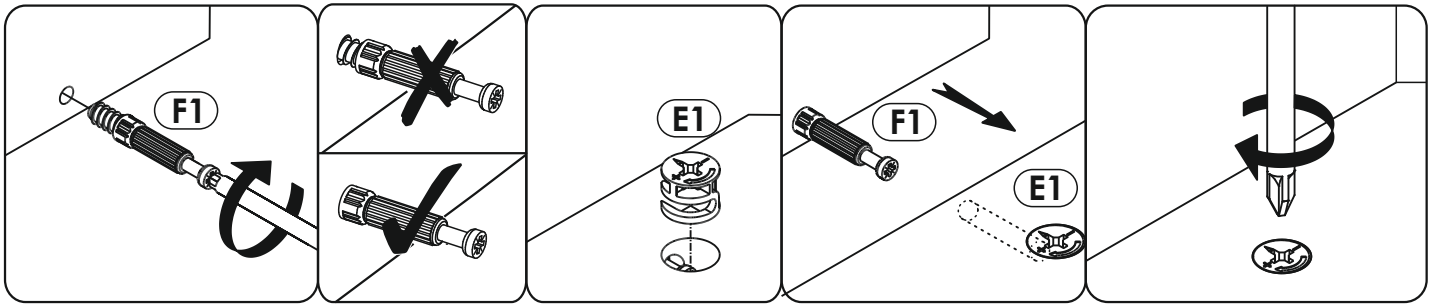


2 ▶

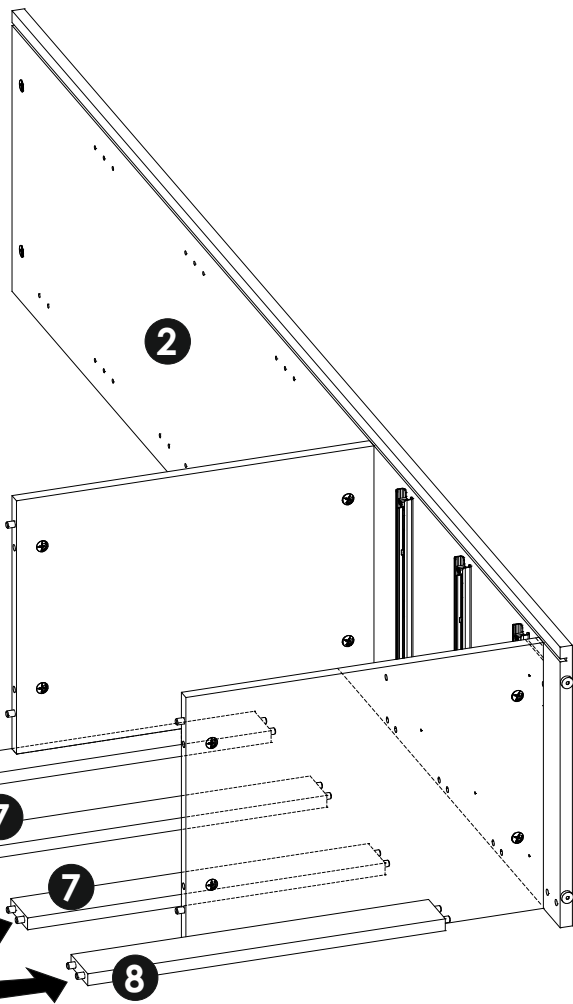
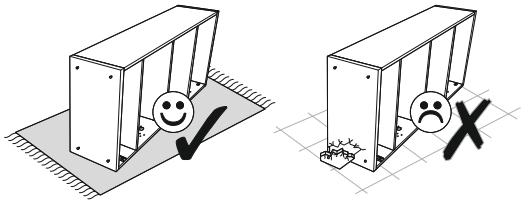


3 ▶

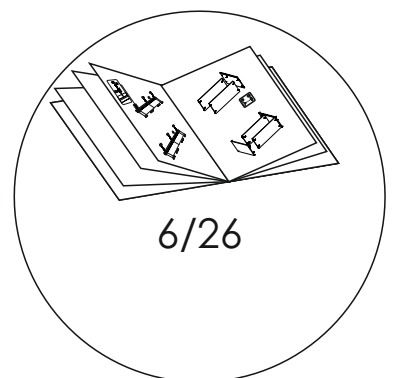
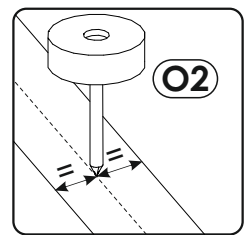
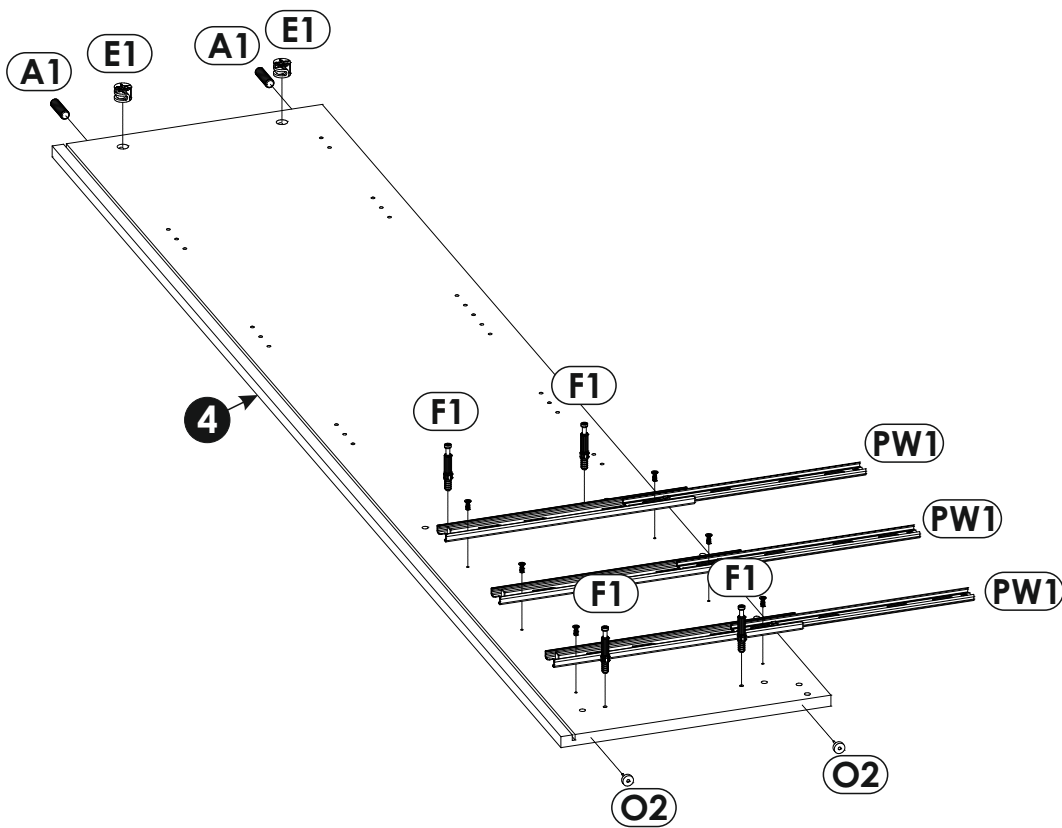
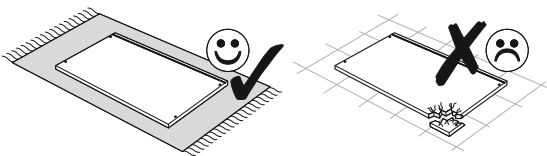




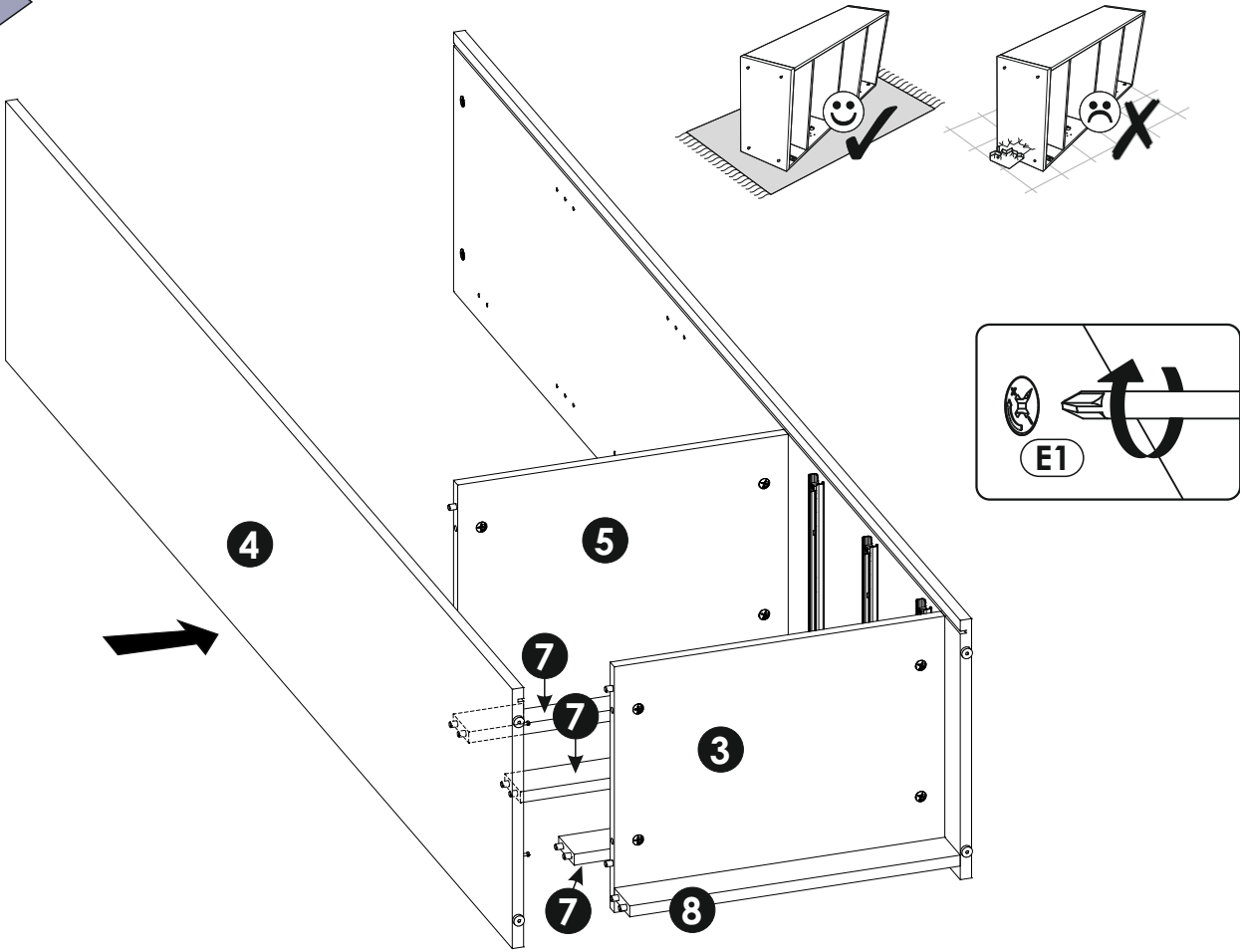
6 ▶



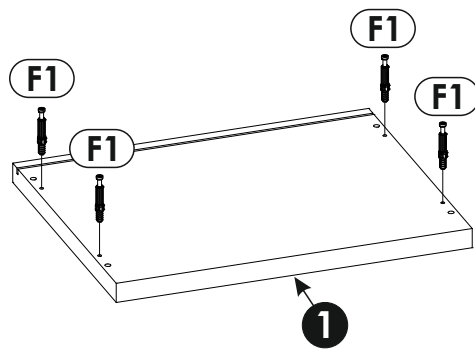
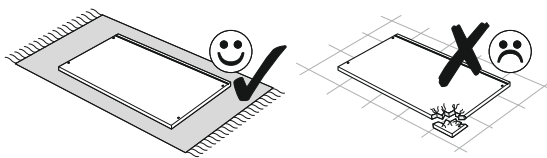
7 ▶



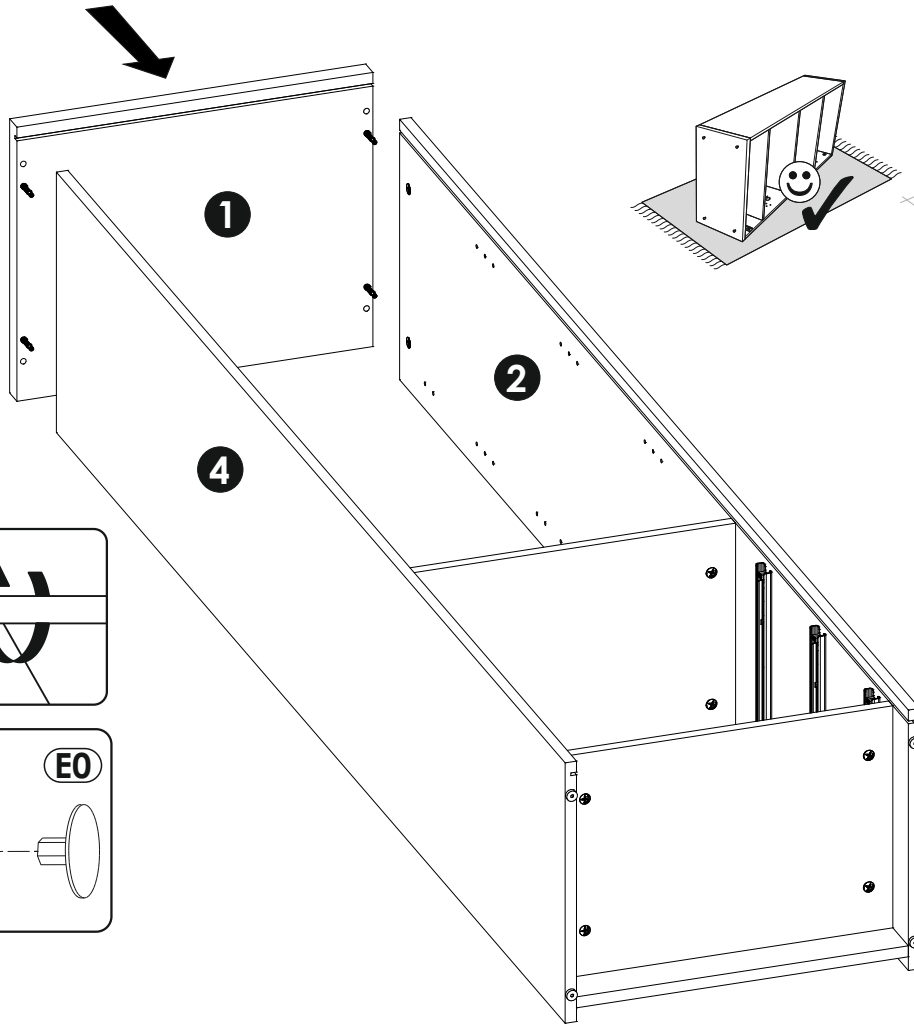
8 ▶



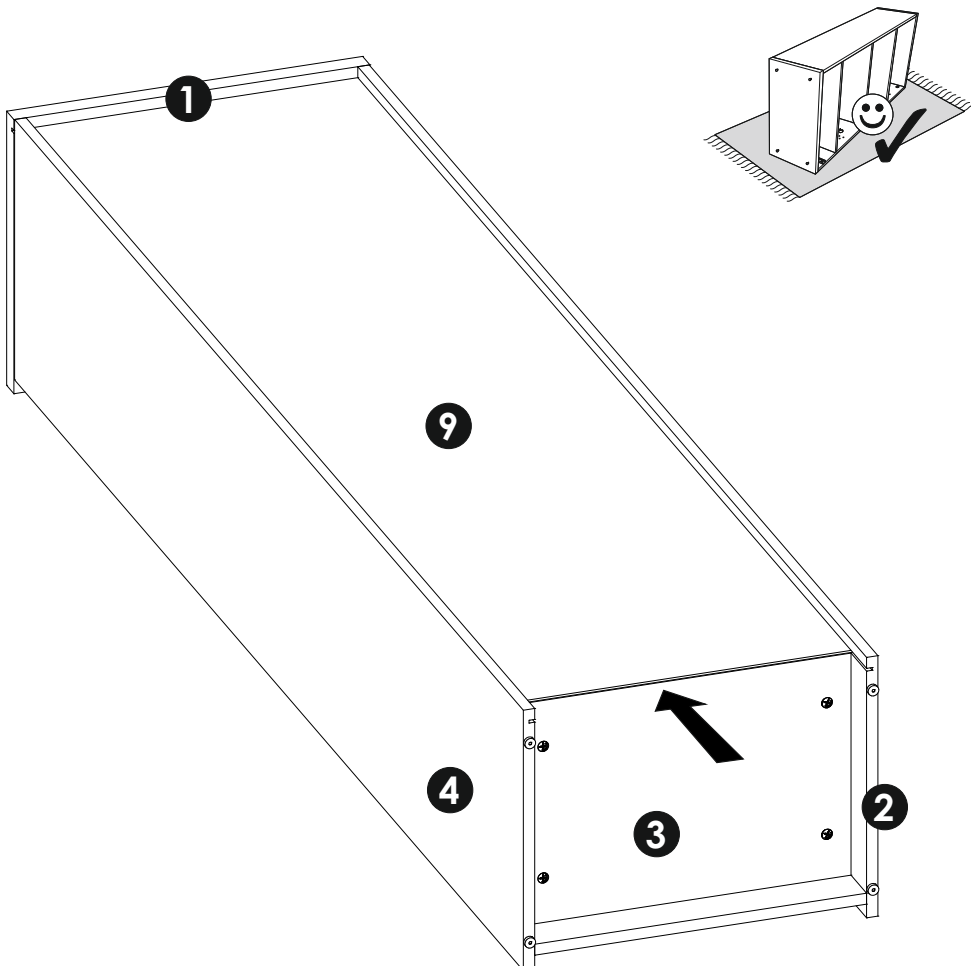
9 ▶



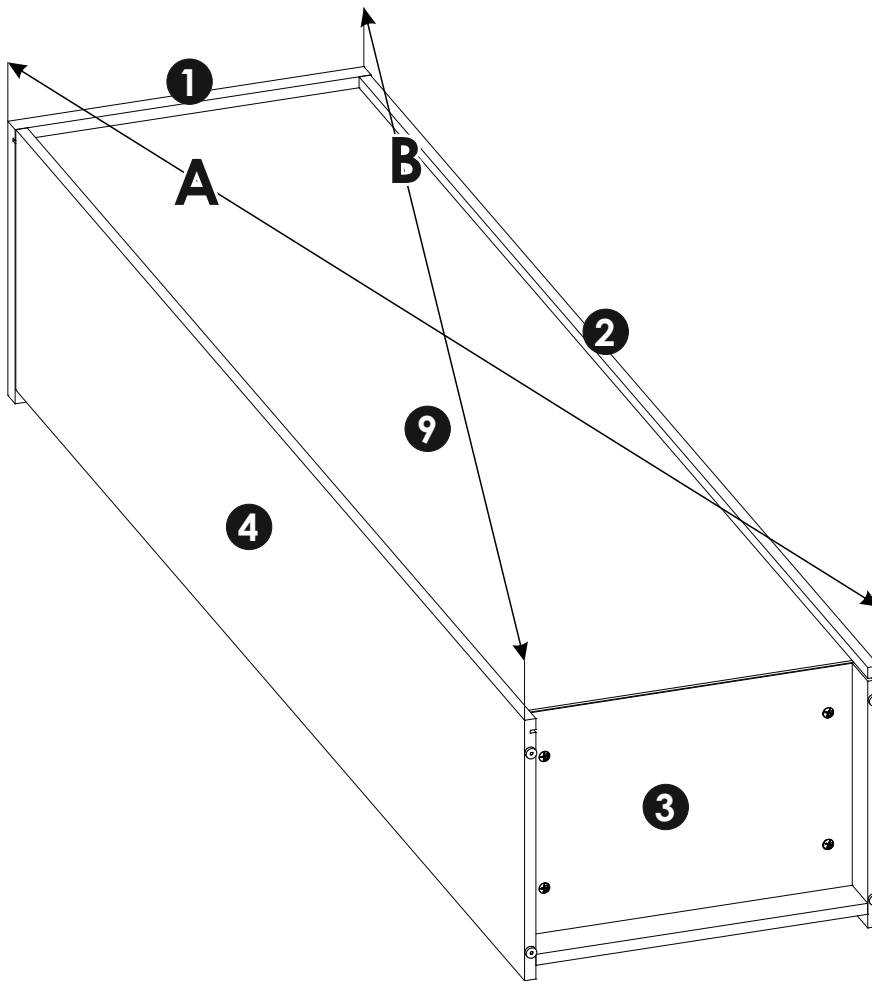
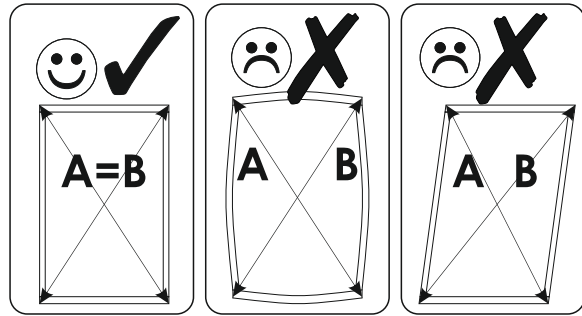
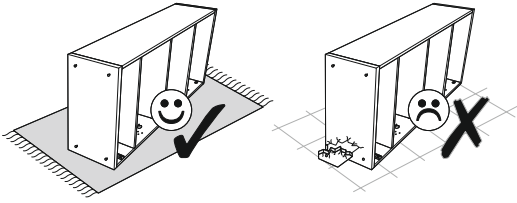
10 ▶



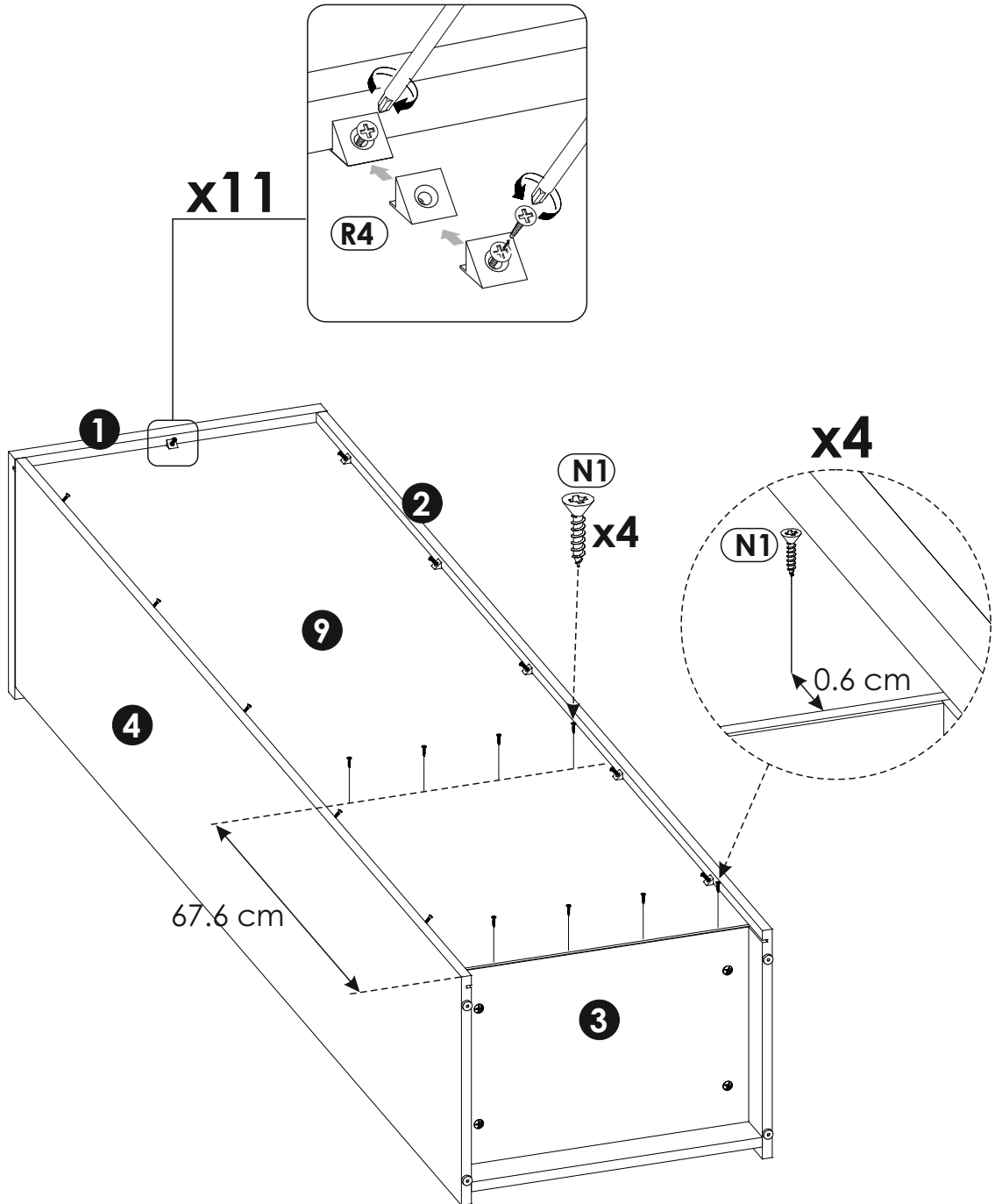
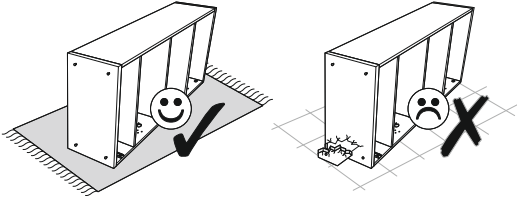
11 ▶



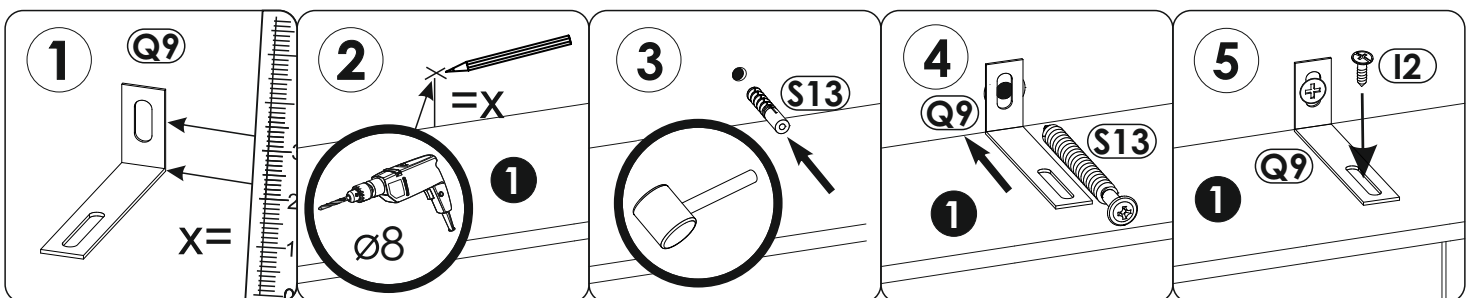
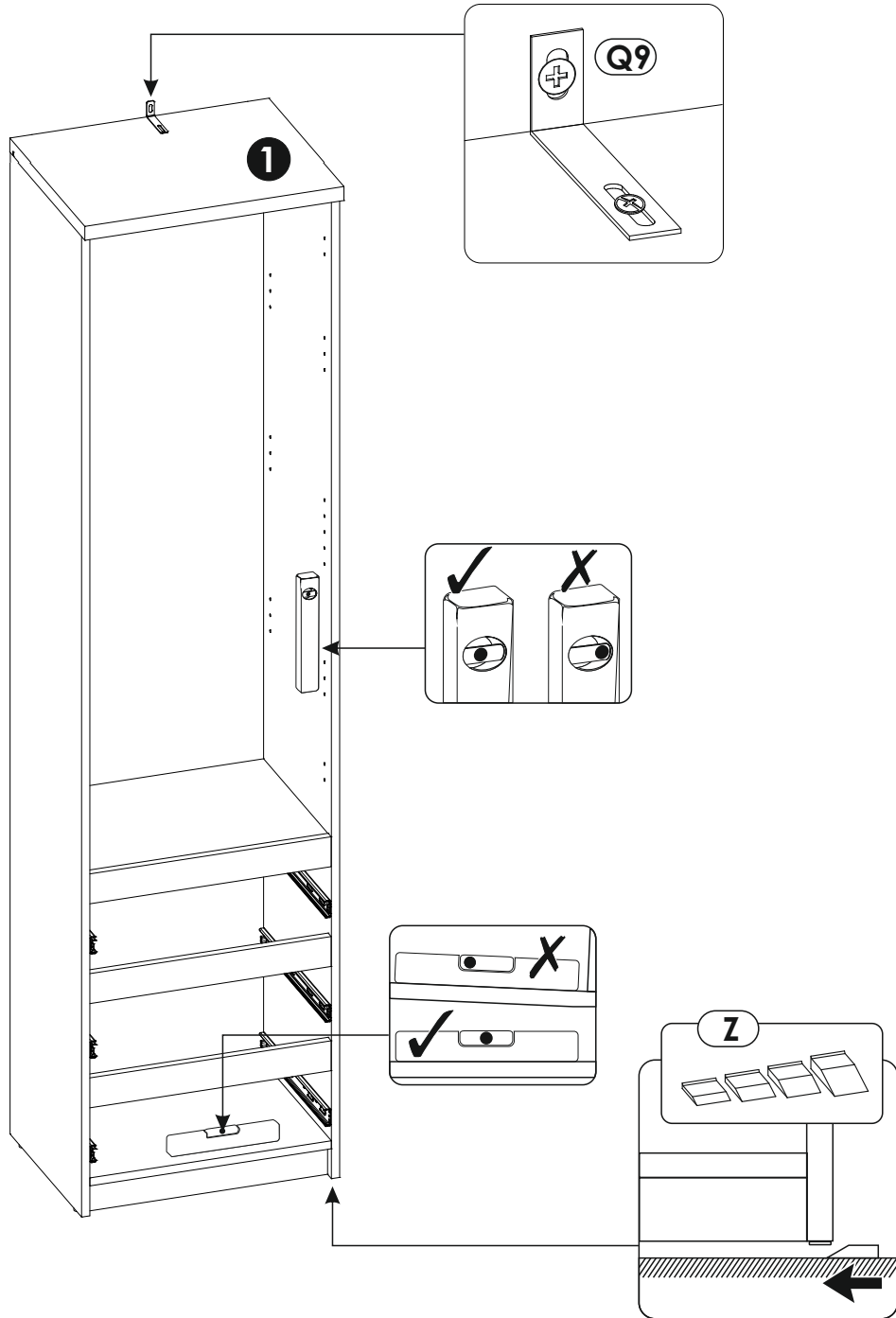
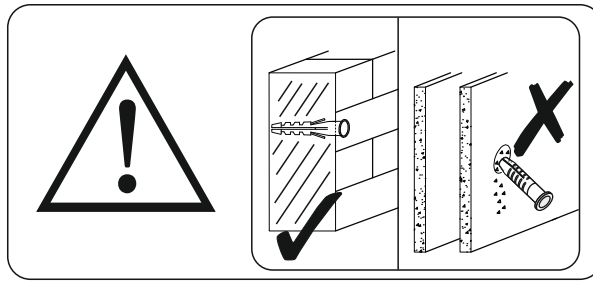
12▶



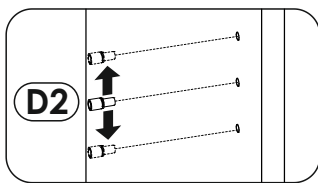
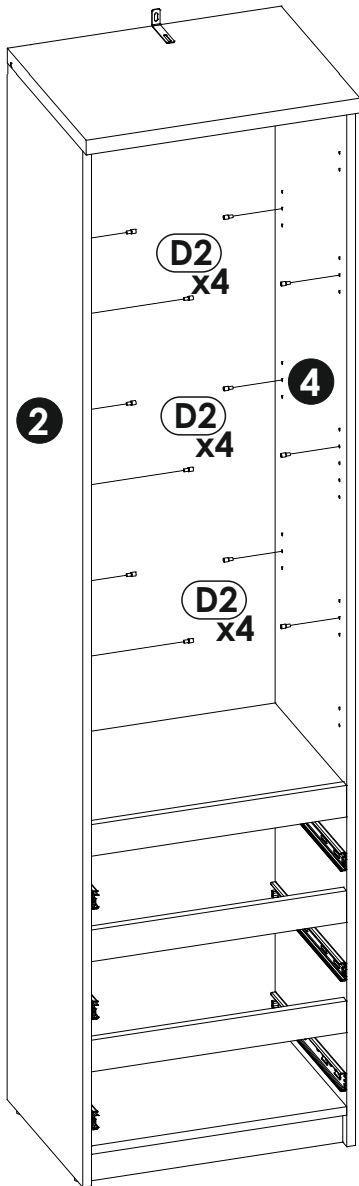
13▶



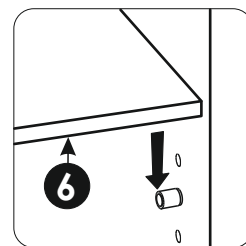
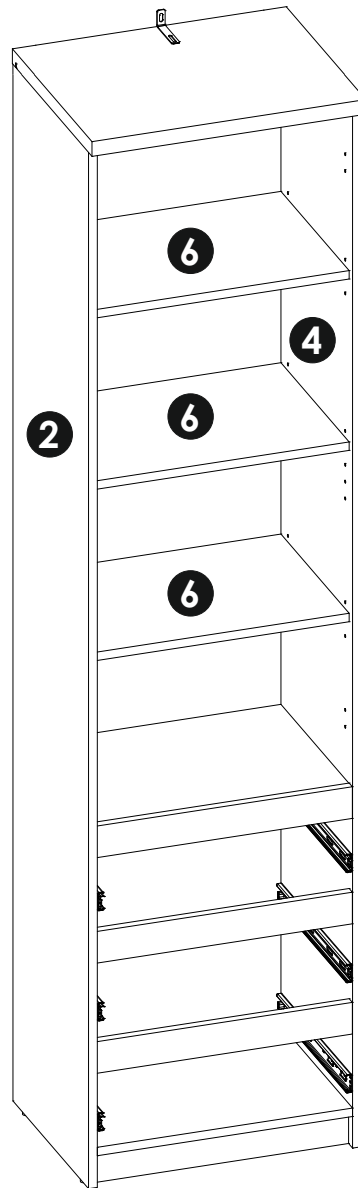
14 ▶



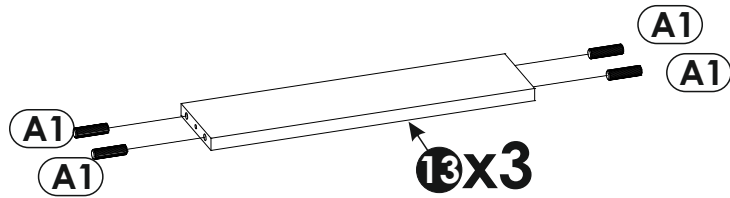
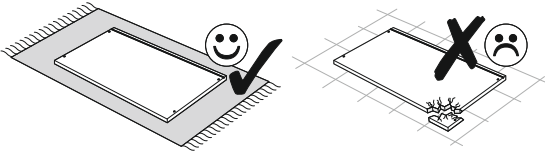
15▶



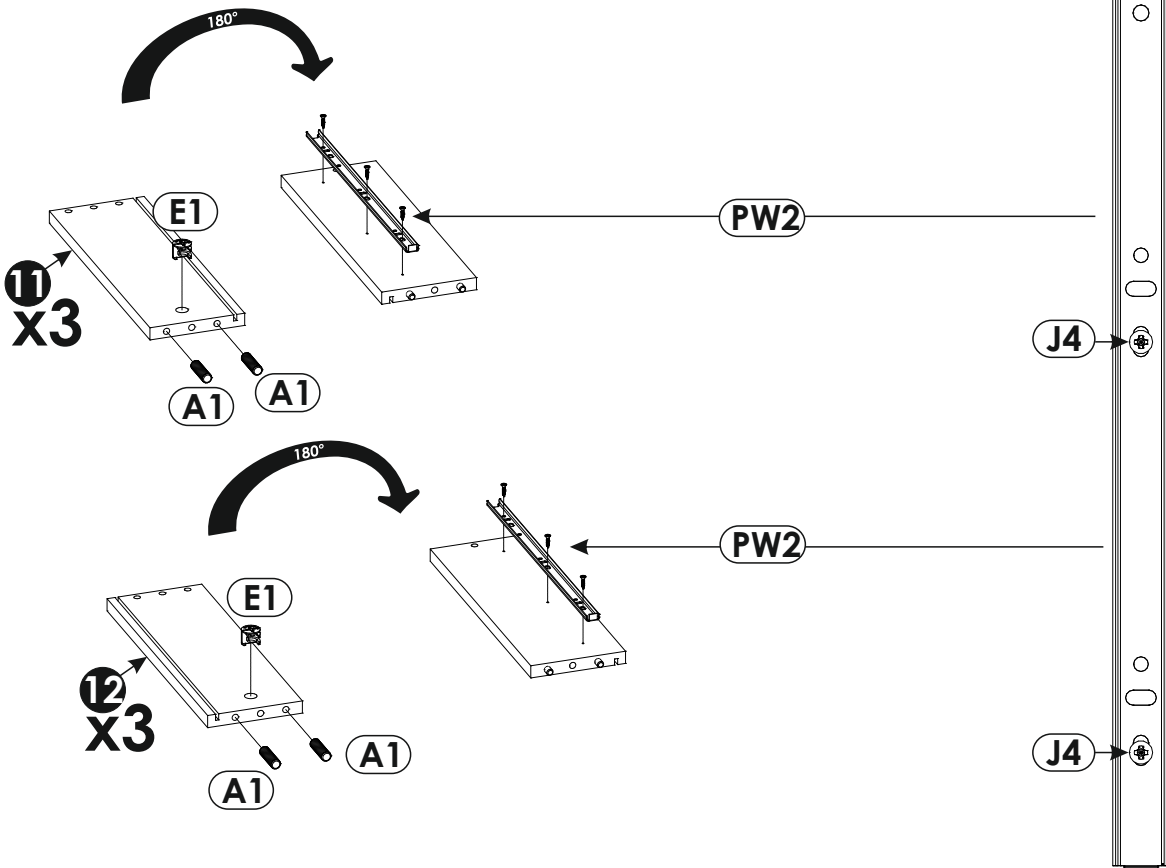
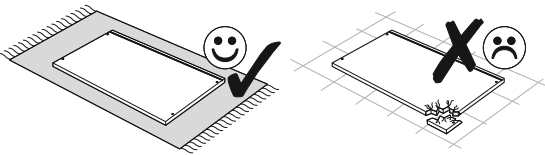
16▶



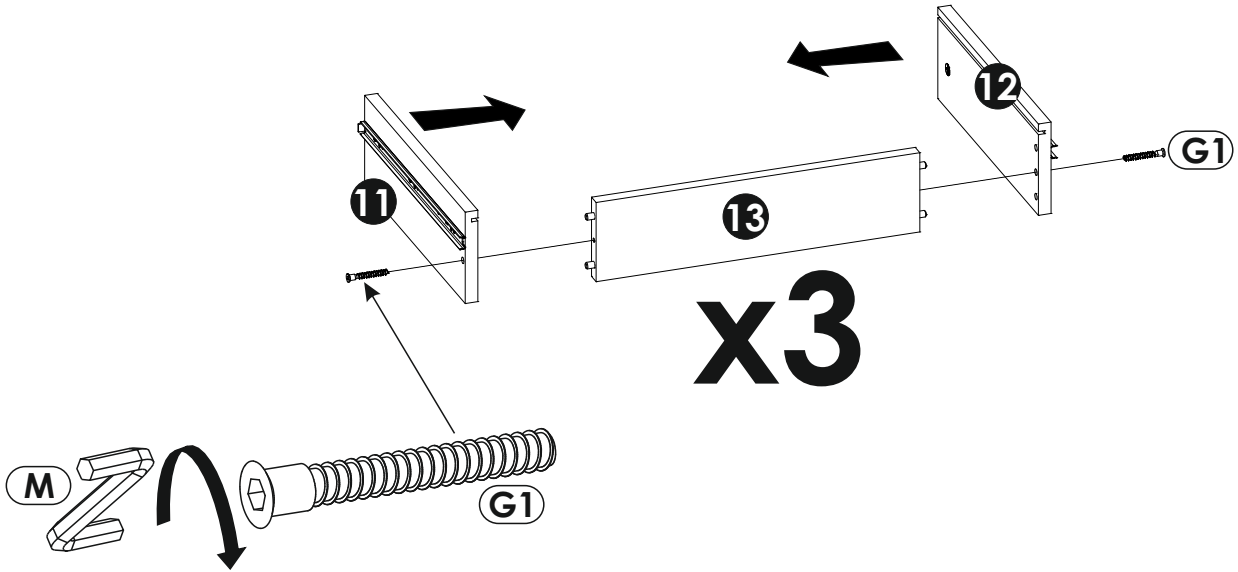
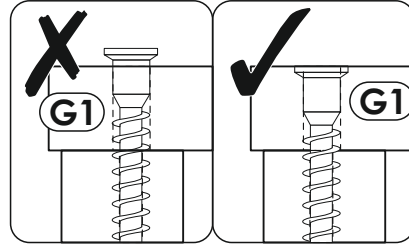
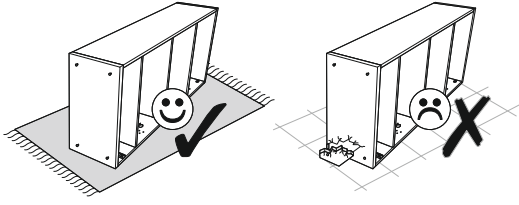
17▶



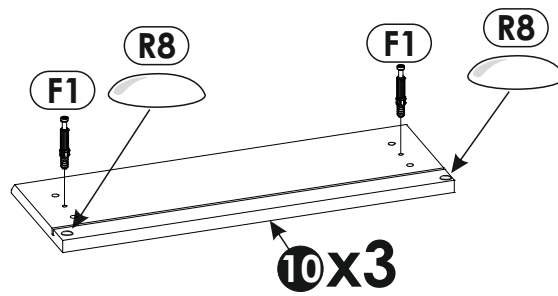
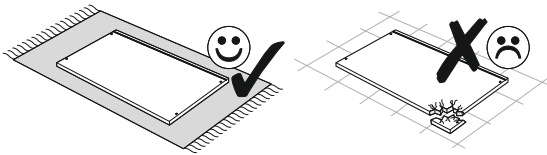
18▶



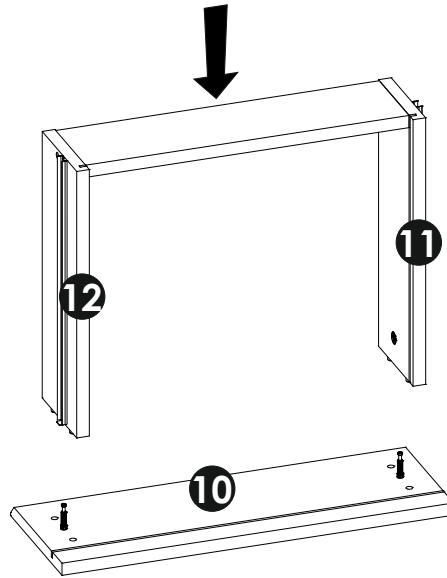
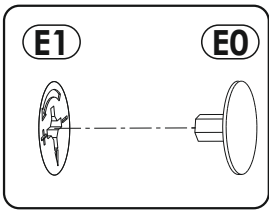
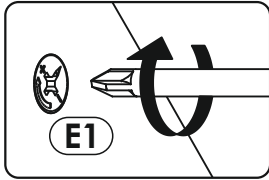
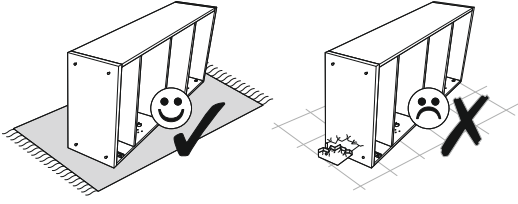
19▶



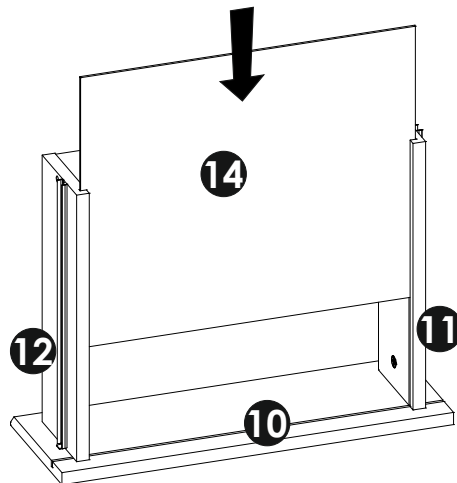
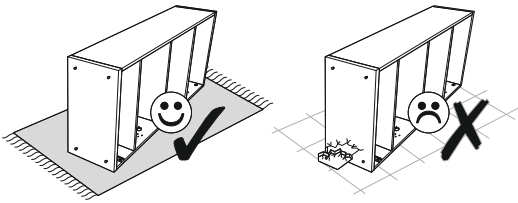
20▶



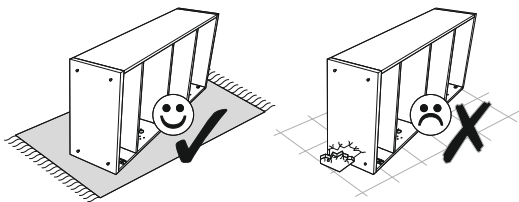
21▶



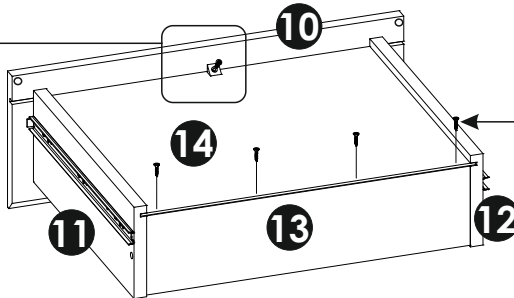
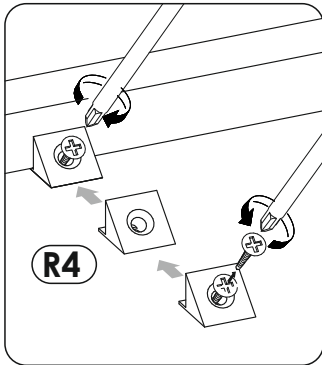
22▶



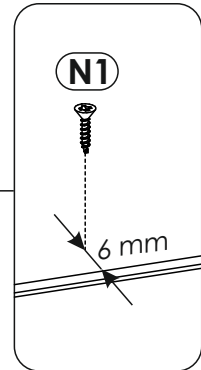
23▶



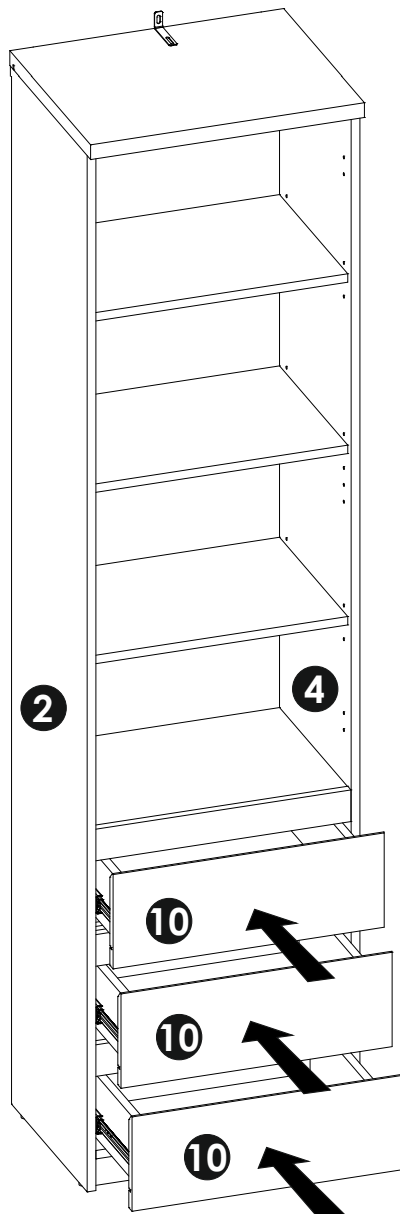
x3



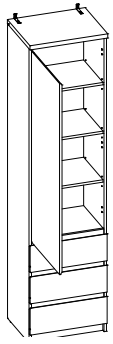
x4



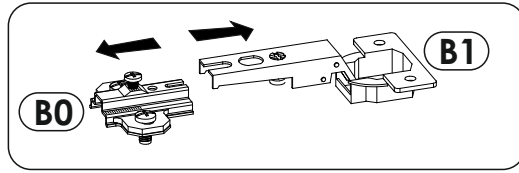
24▶



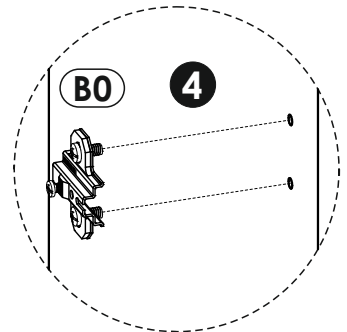
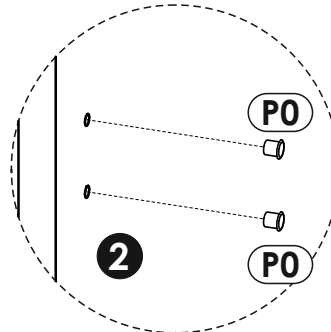
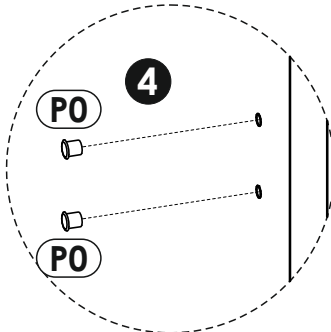
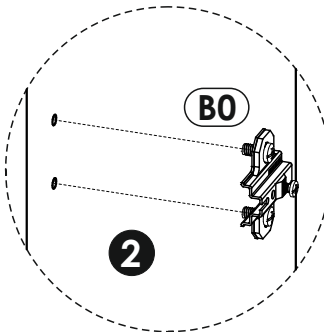
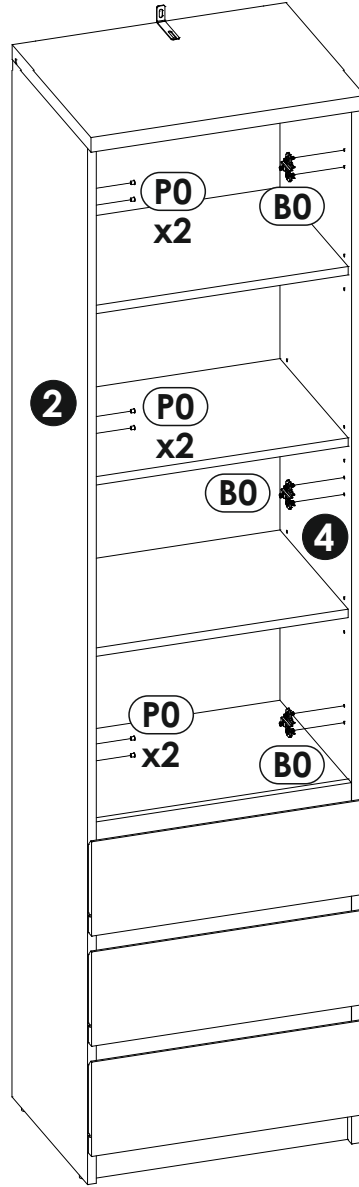
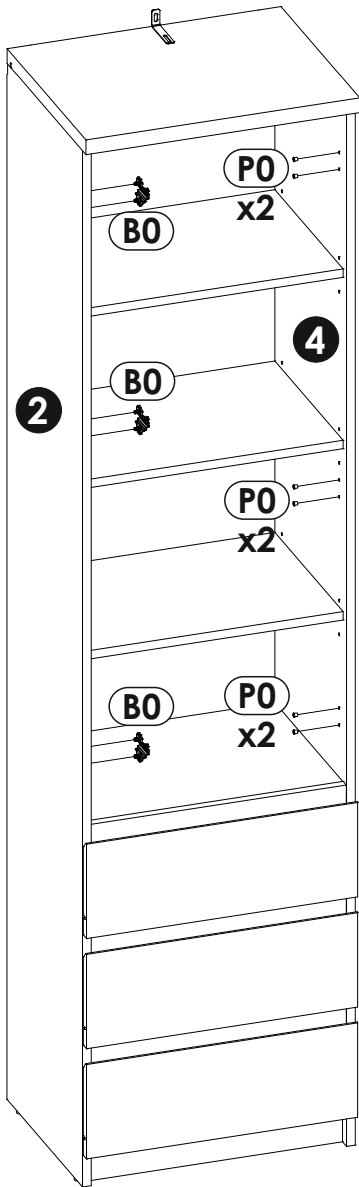
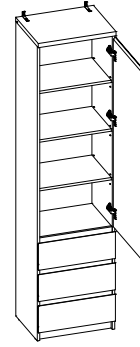
25 ▶



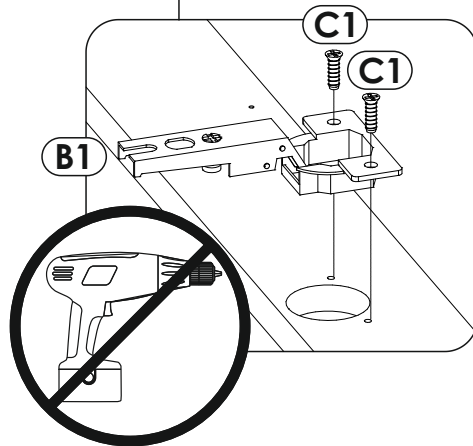
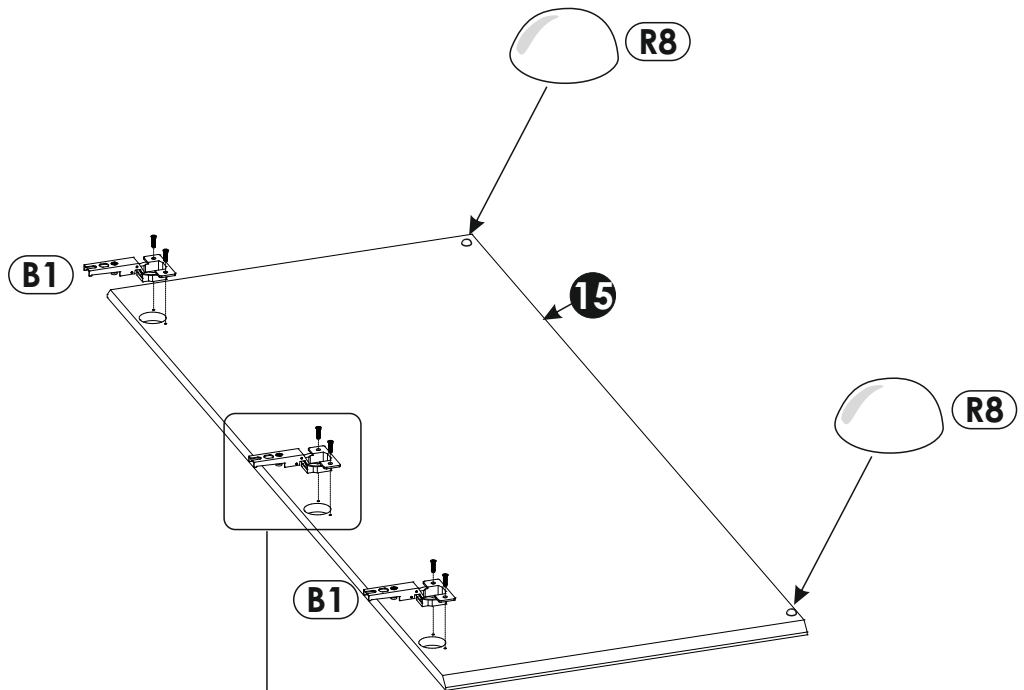
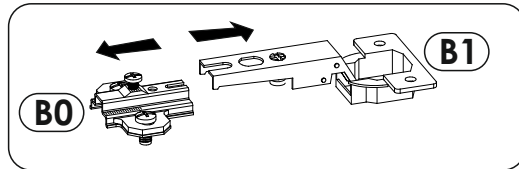
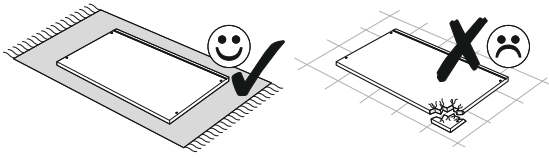
L

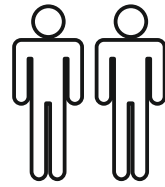
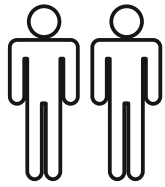


R



26▶





L

R

