
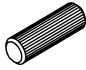
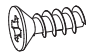

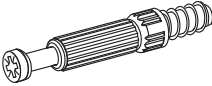



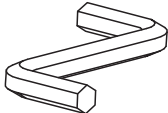

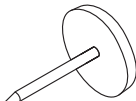
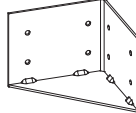
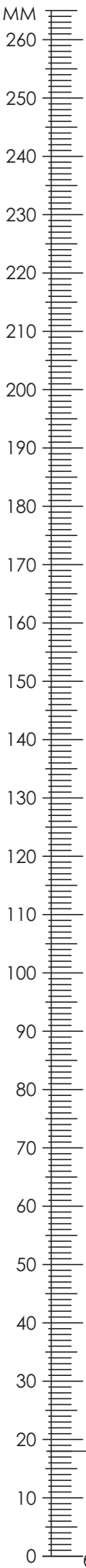
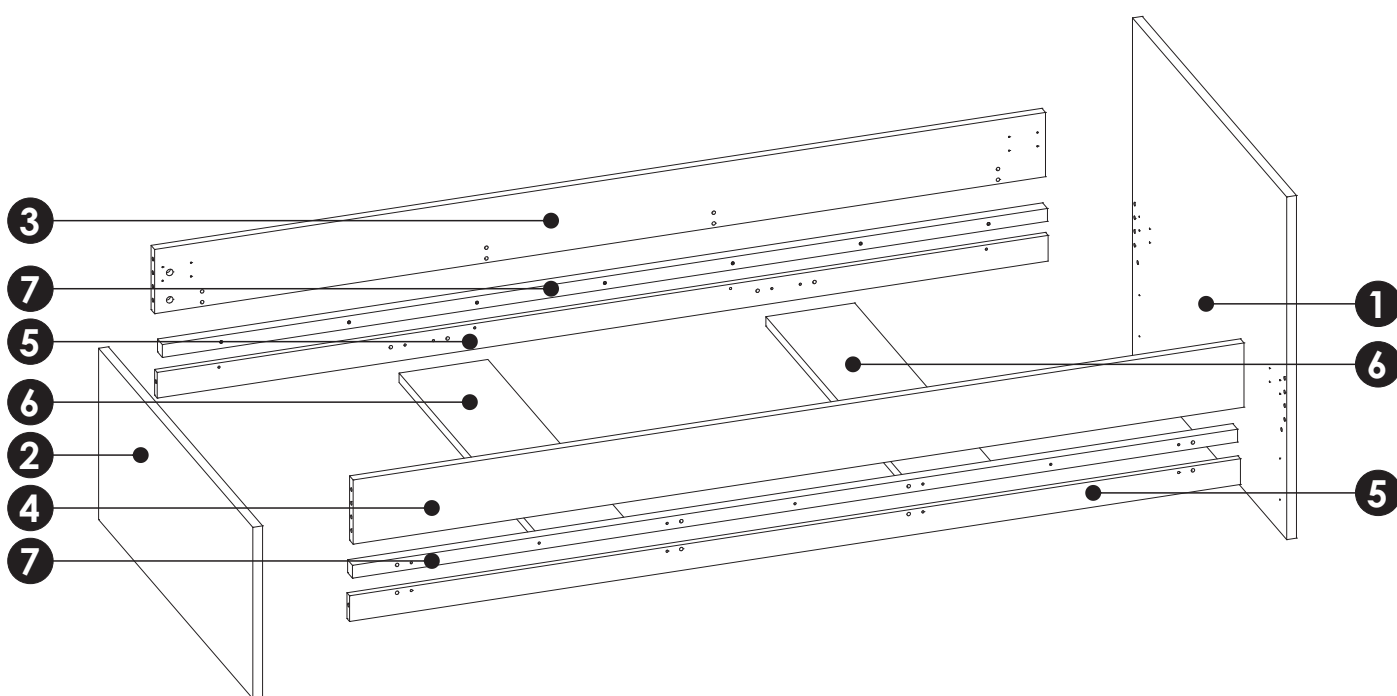
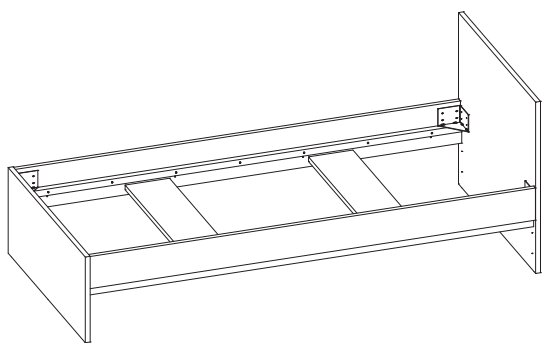
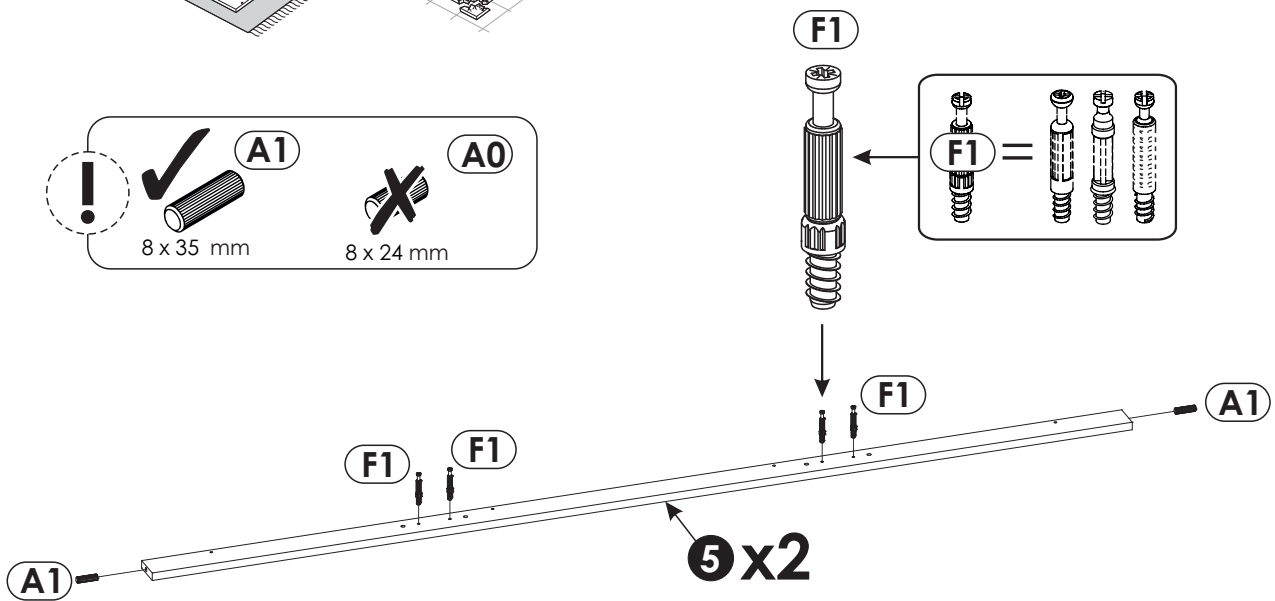
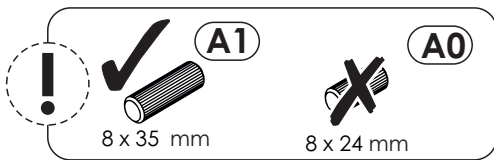
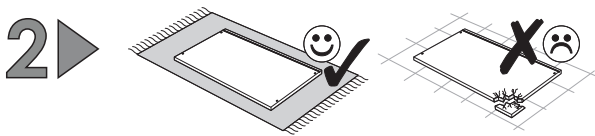
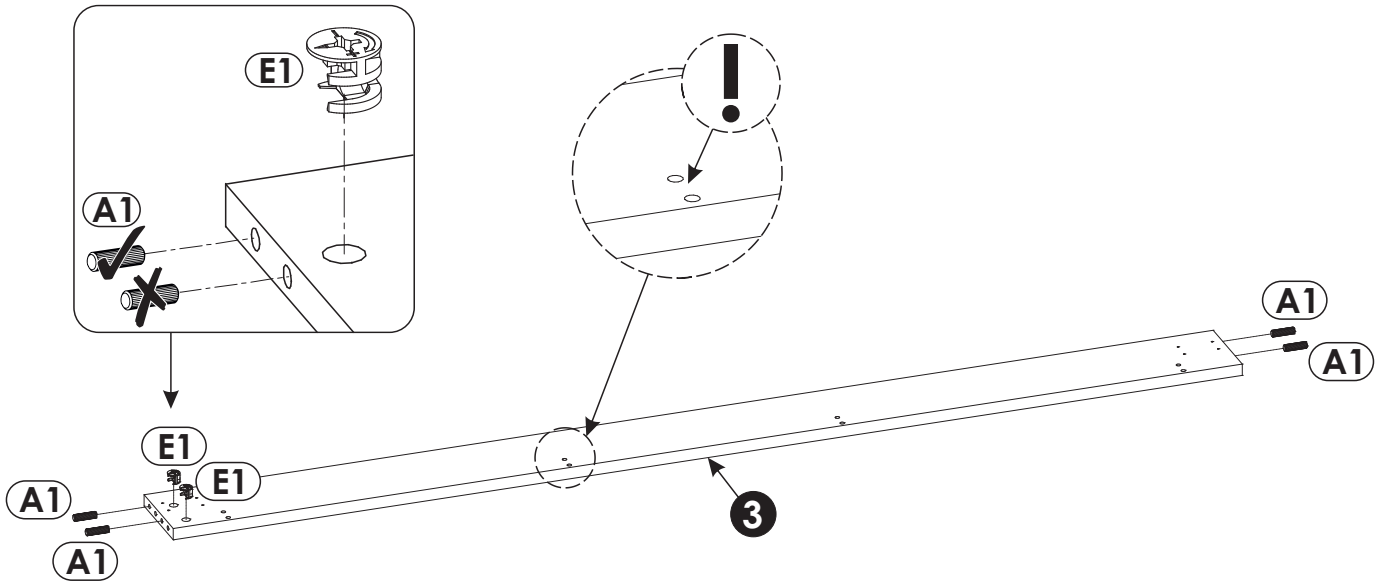
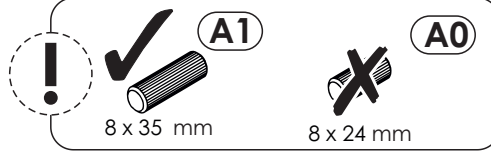
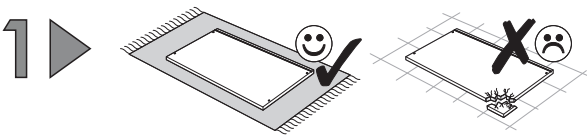
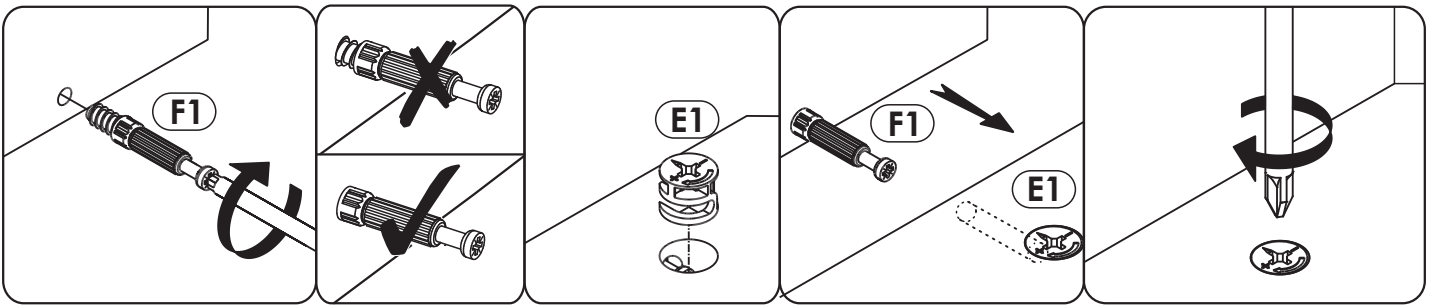


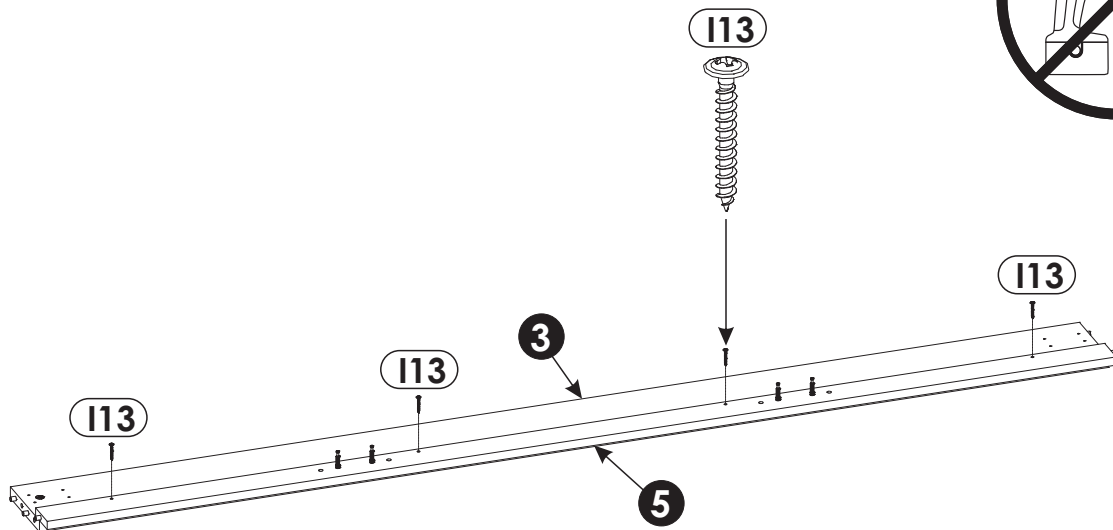
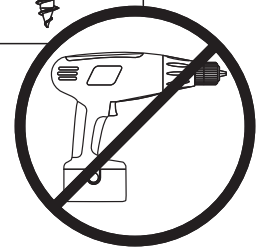
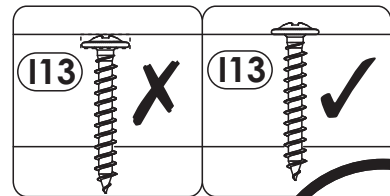
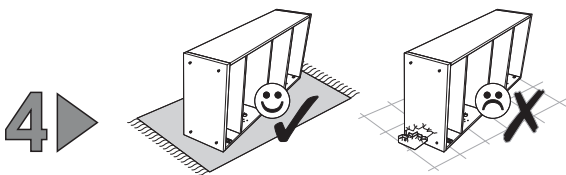
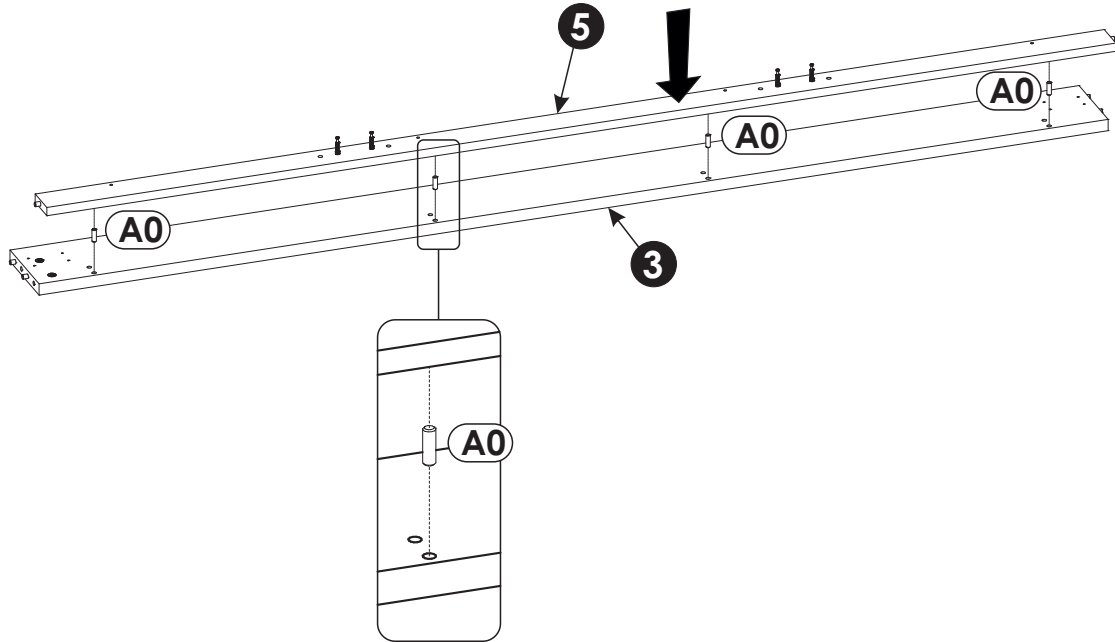
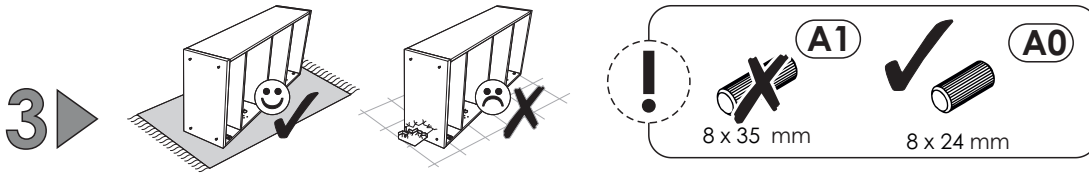
A0	8 x 24 mm	x16	A1	8 x 35 mm	x20	C2	5 x 13 mm	x32
								
E1	15 x 12 mm	x12	F1	6 x 34 mm	x12	G0		x4
								
G2	7 x 60 mm	x4	I13	4 x 30 mm	x8	M		x1
								
N16	4 x 40 mm	x14	O2		x6	W		x4
								



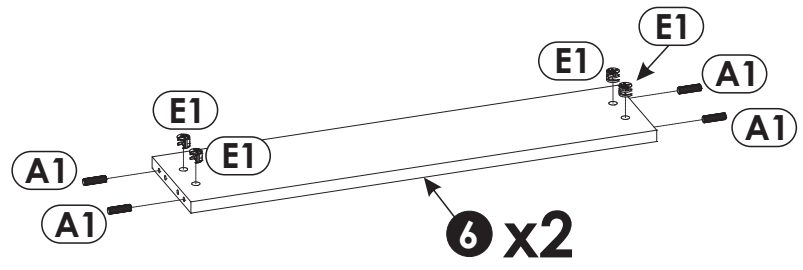
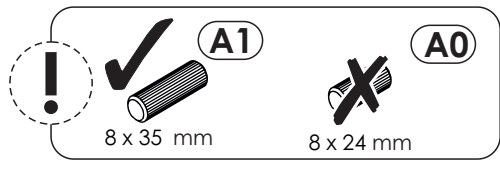
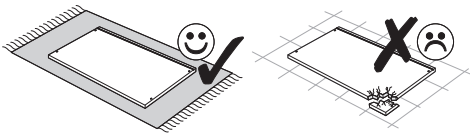


1	954	800	22	x1	2/2
2	954	400	22	x1	2/2
3	2006	150	22	x1	1/2
4	2006	150	22	x1	1/2
5	60	2006	16	x2	1/2
6	874	200	22	x2	1/2
7	1993	30	30	x2	1/2

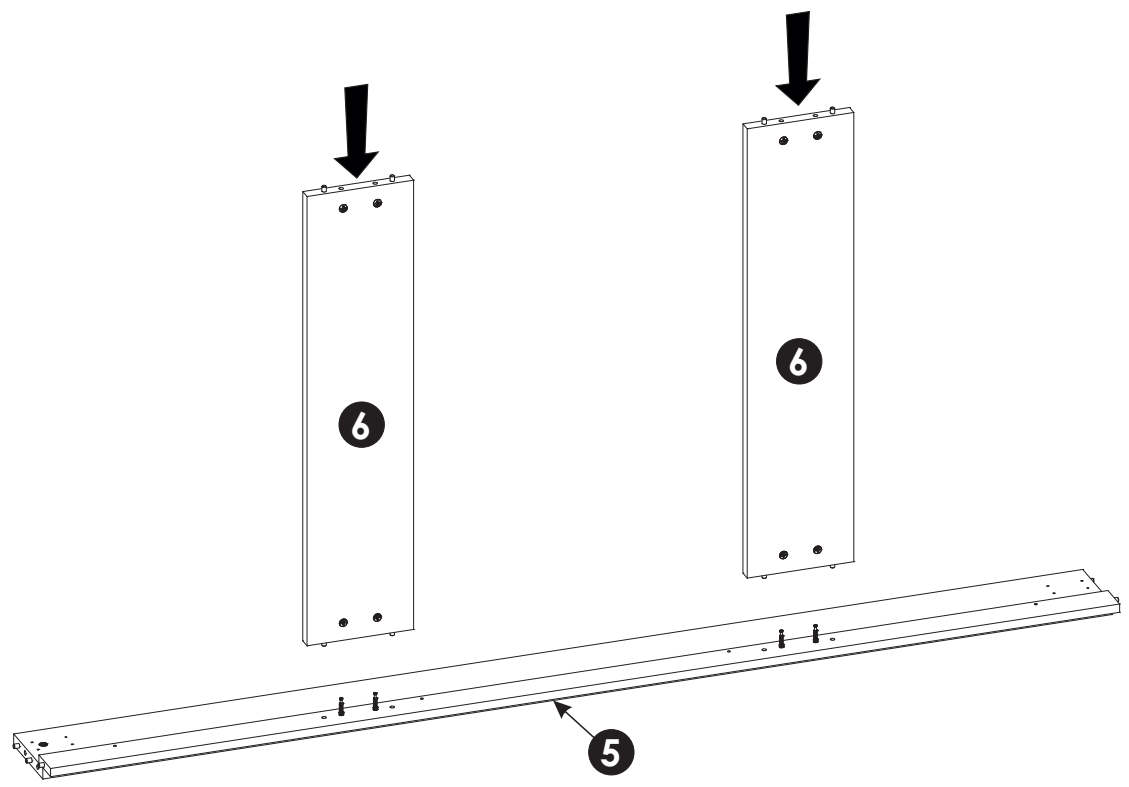
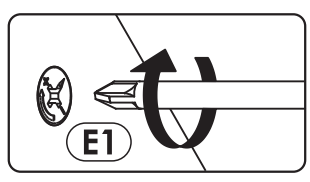
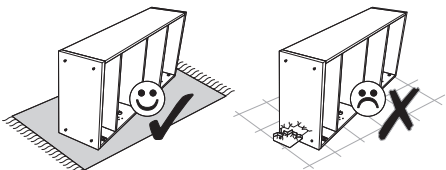




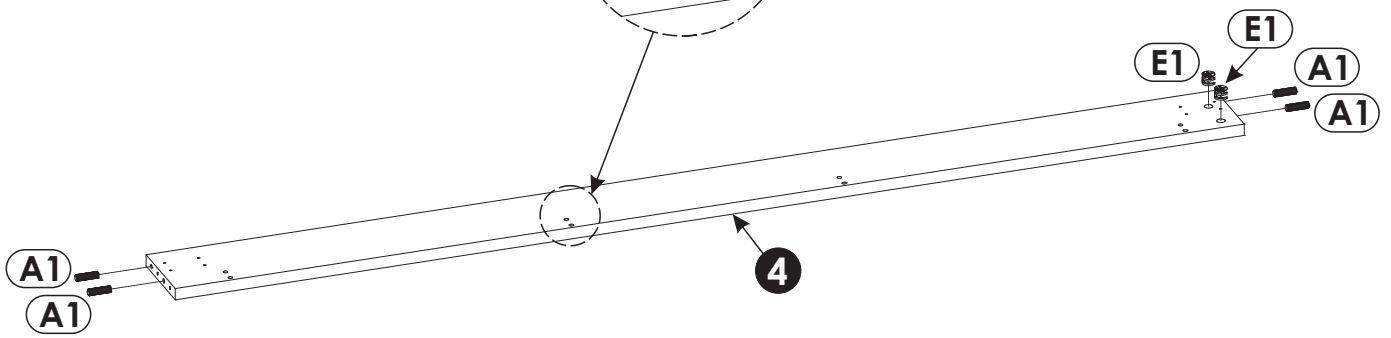
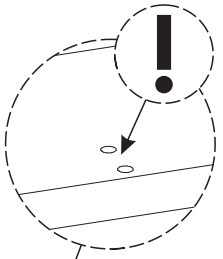
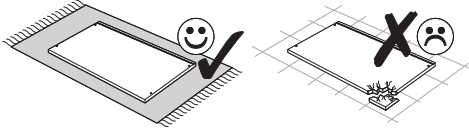
5 ▶



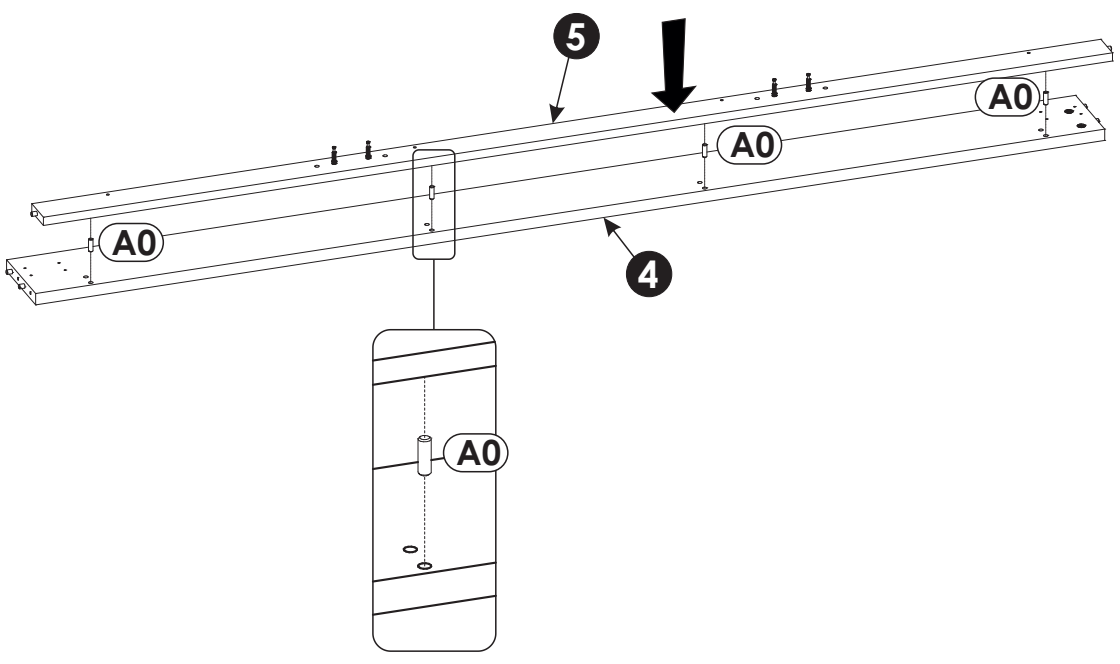
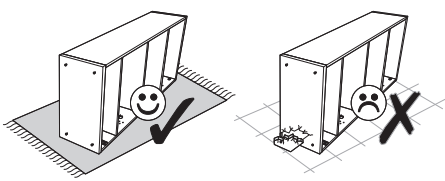
6 ▶

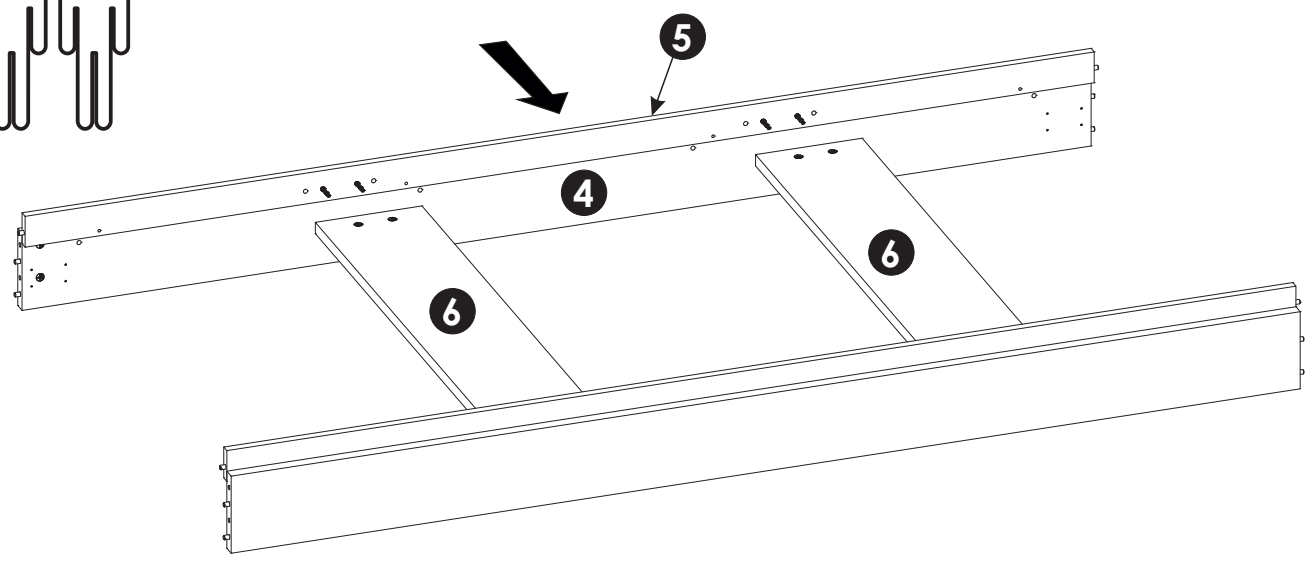
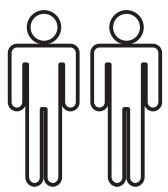
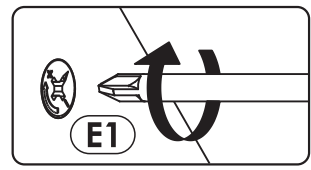
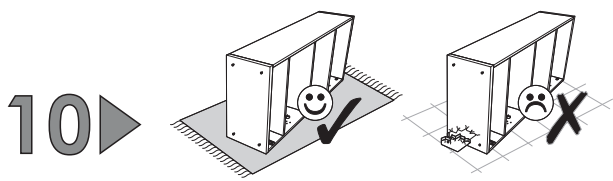
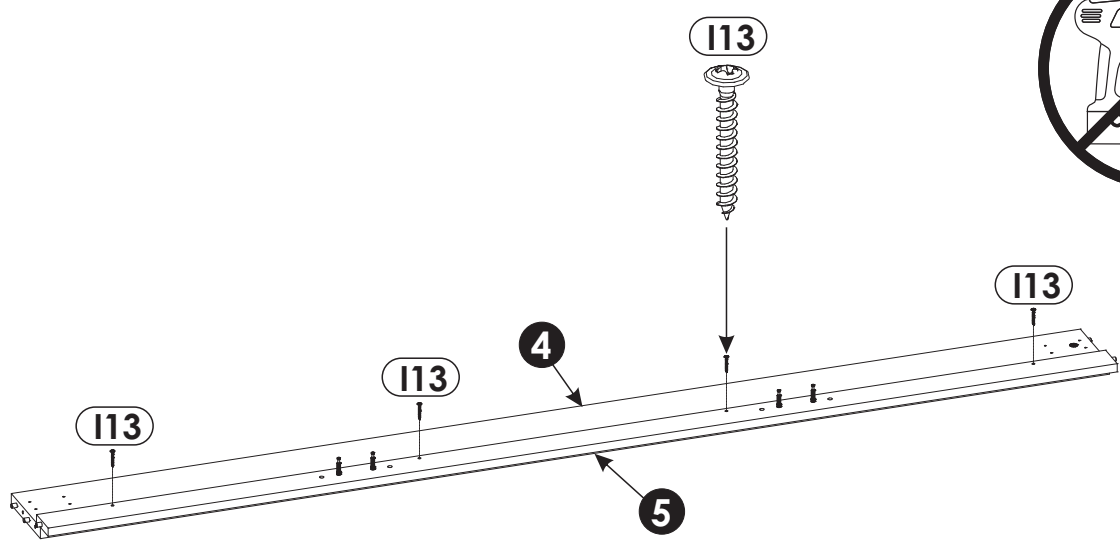
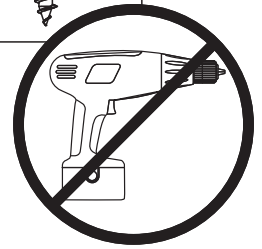
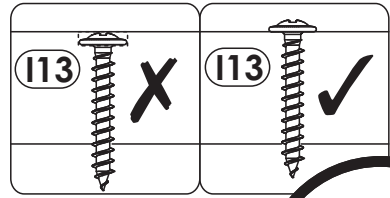
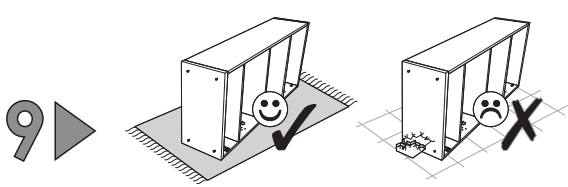


7 ▶

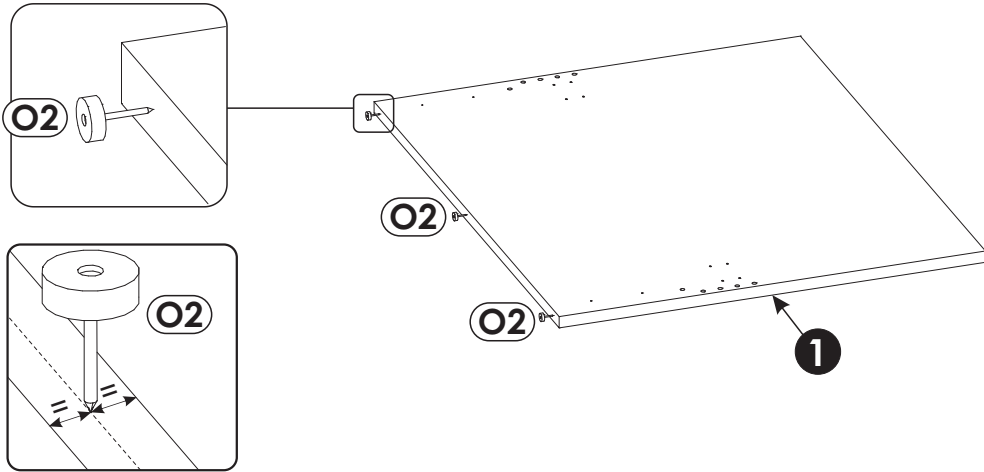
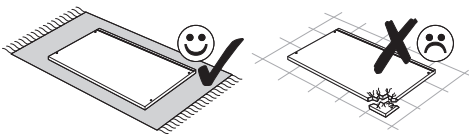


8 ▶

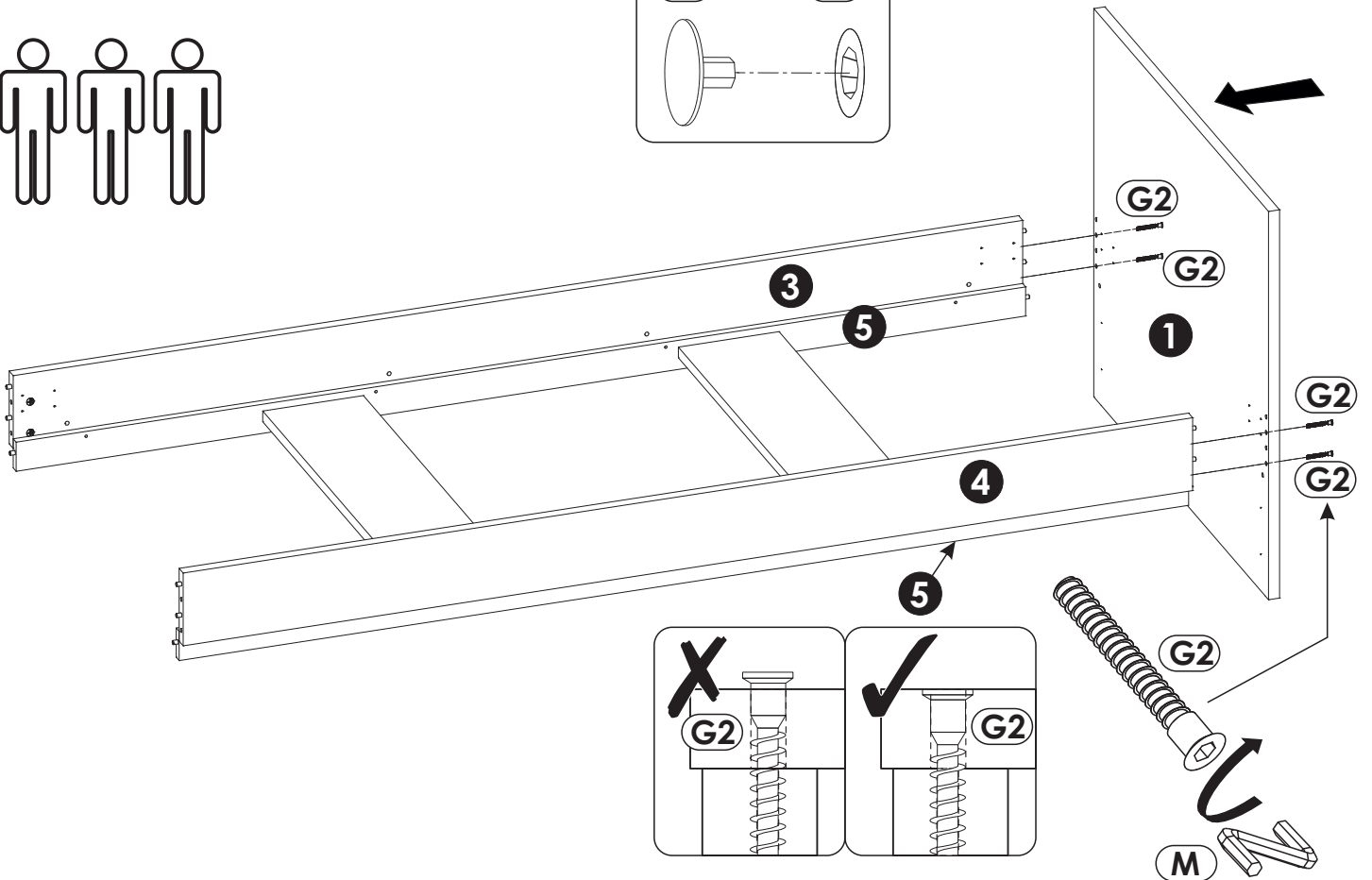
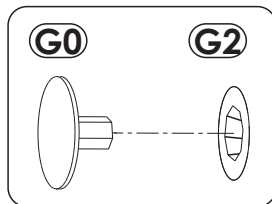
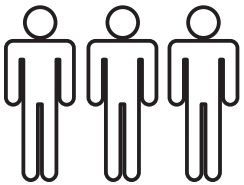
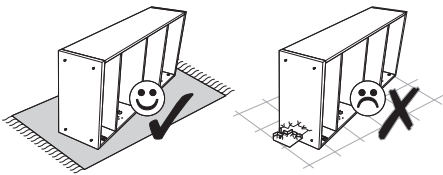




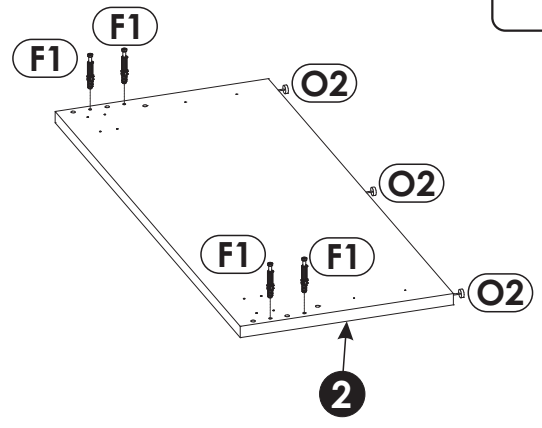
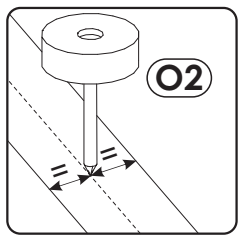
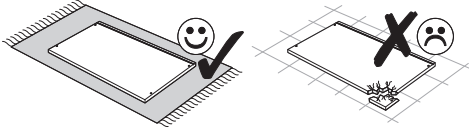
11▶



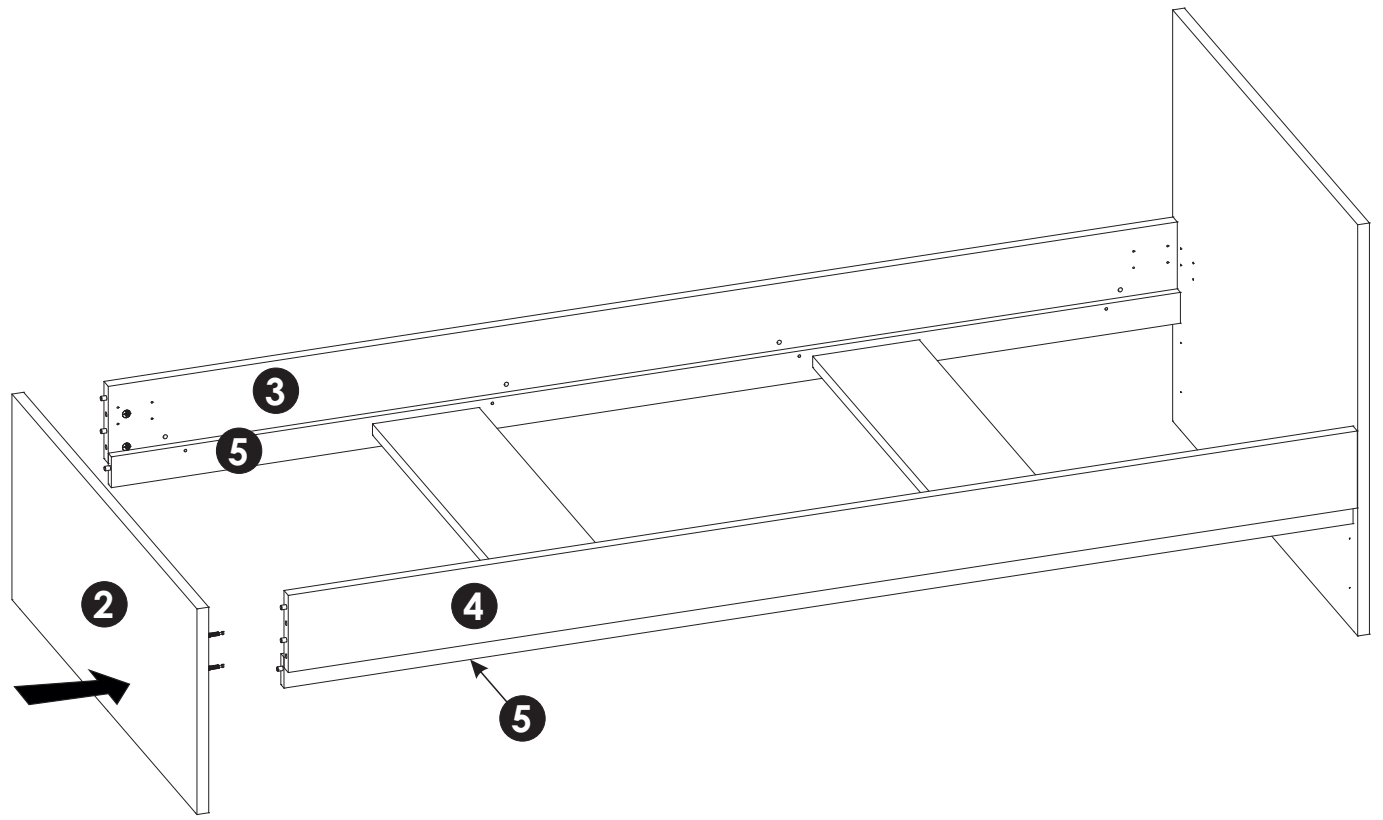
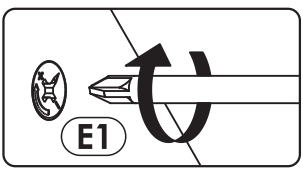
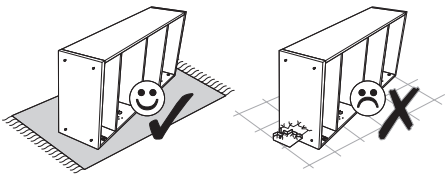
12▶



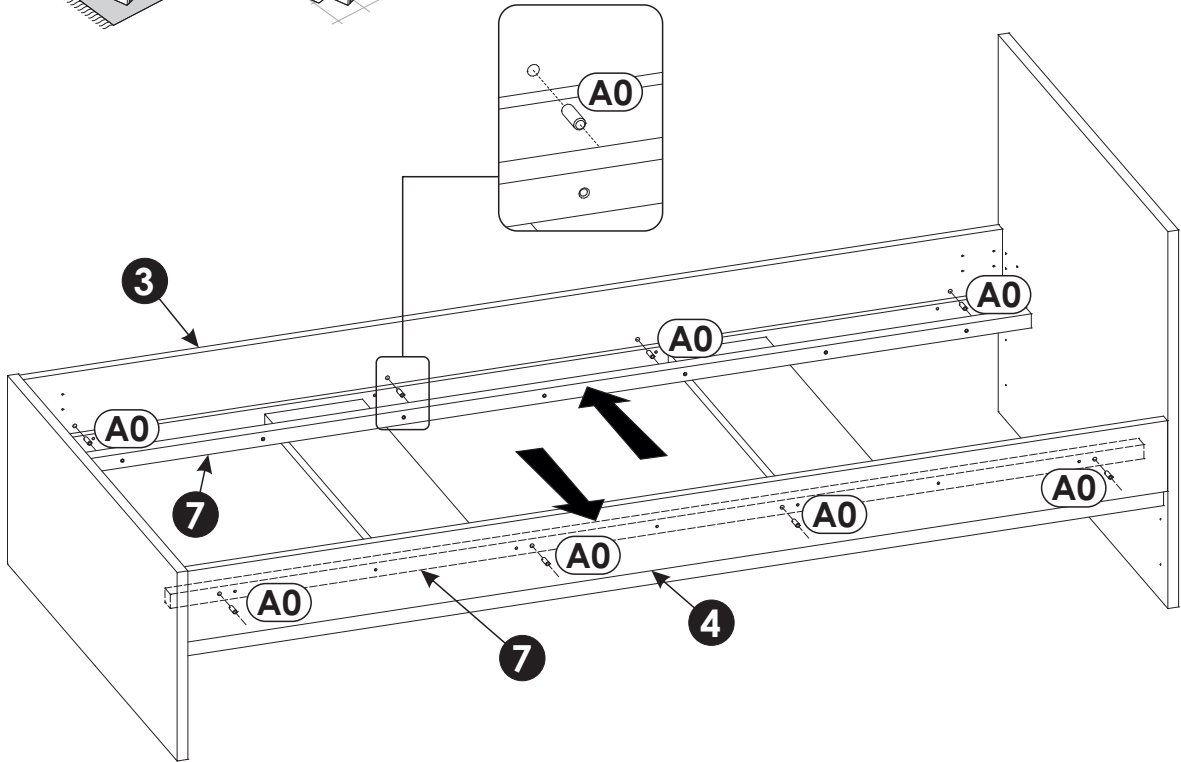
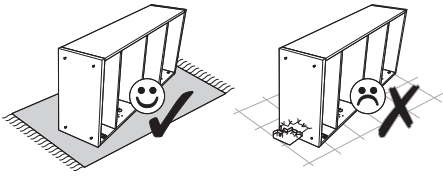
13▶



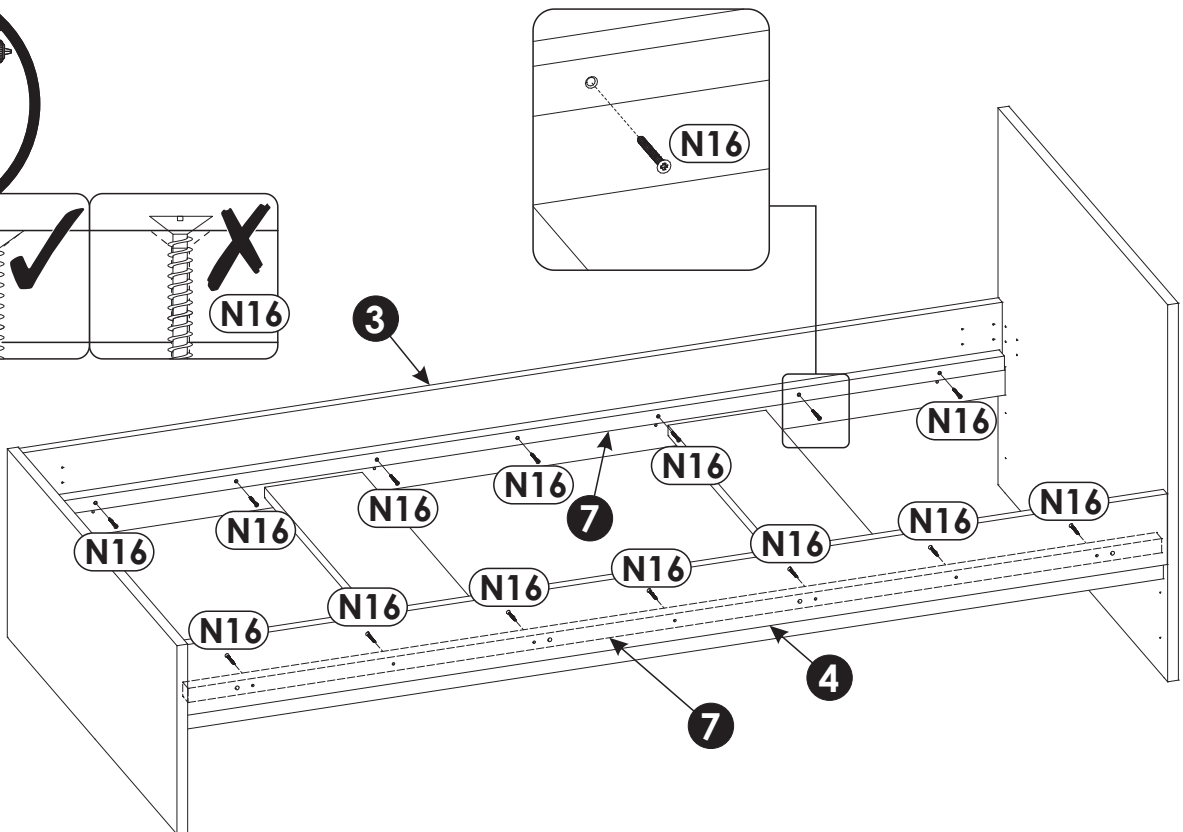
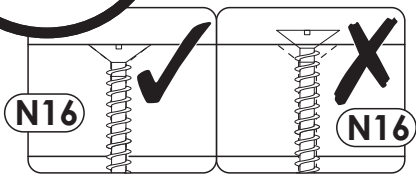
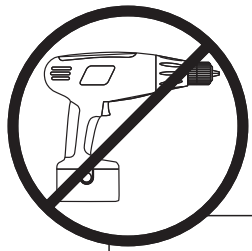
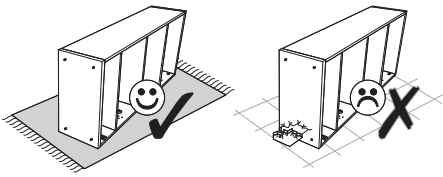
14▶



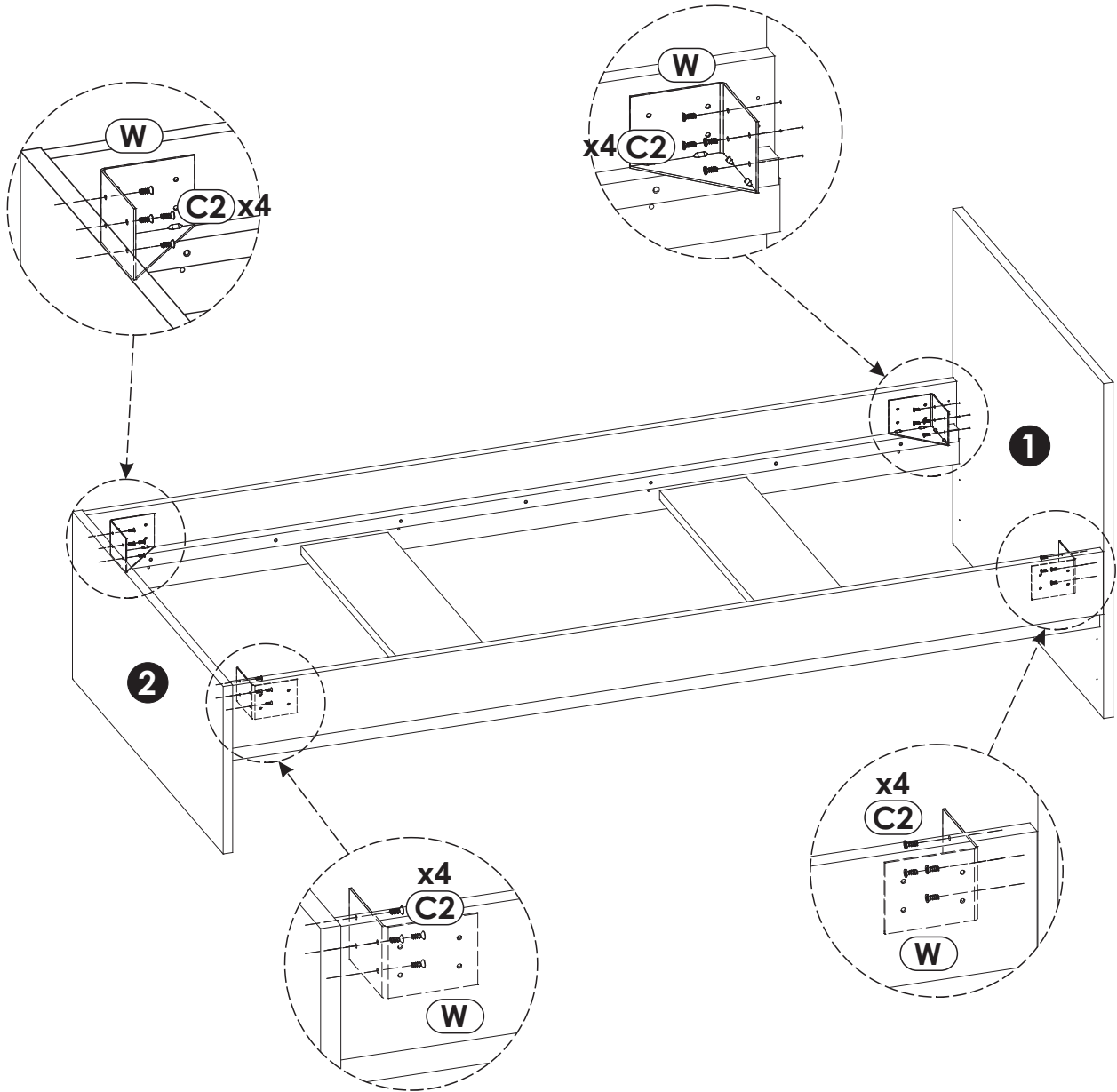
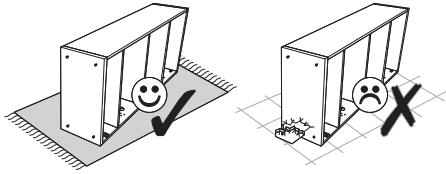
15 ▶



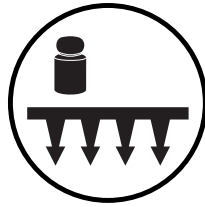
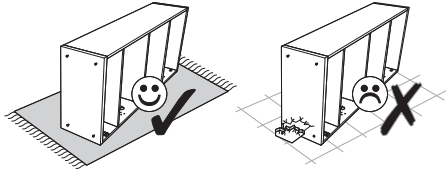
16 ▶



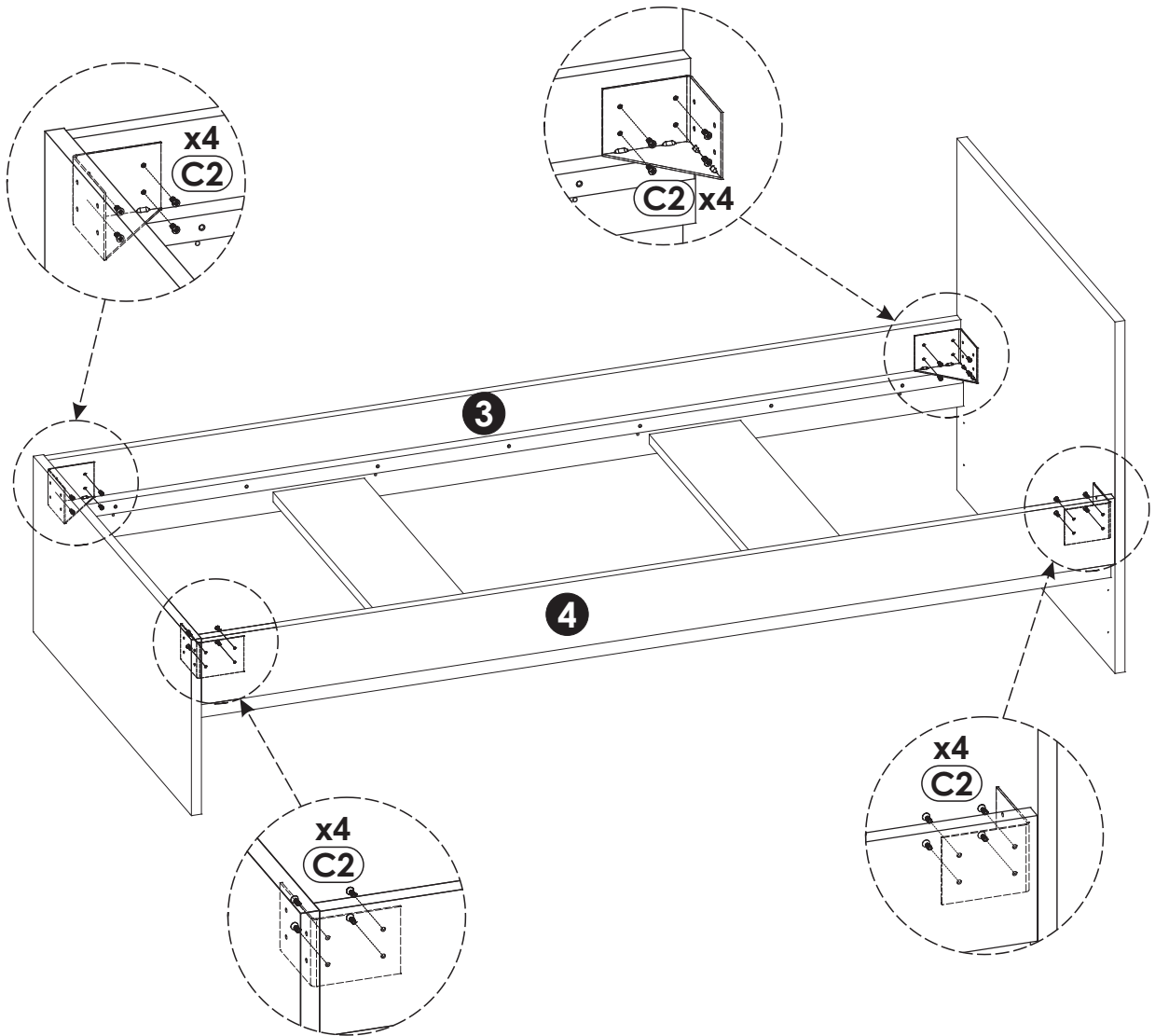
17▶

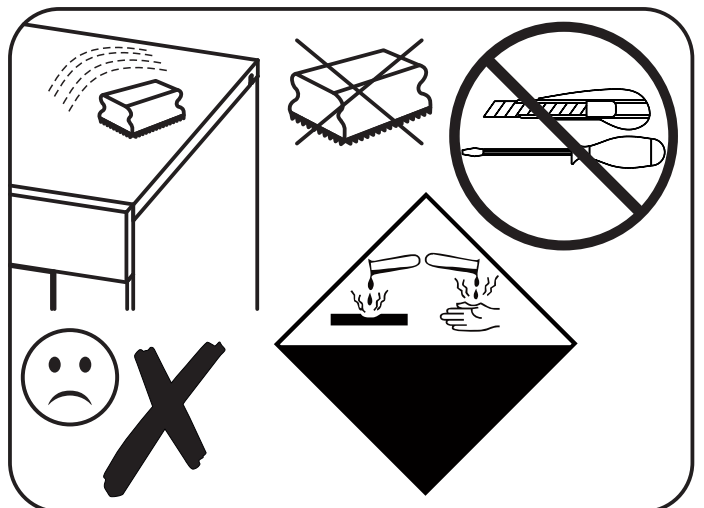
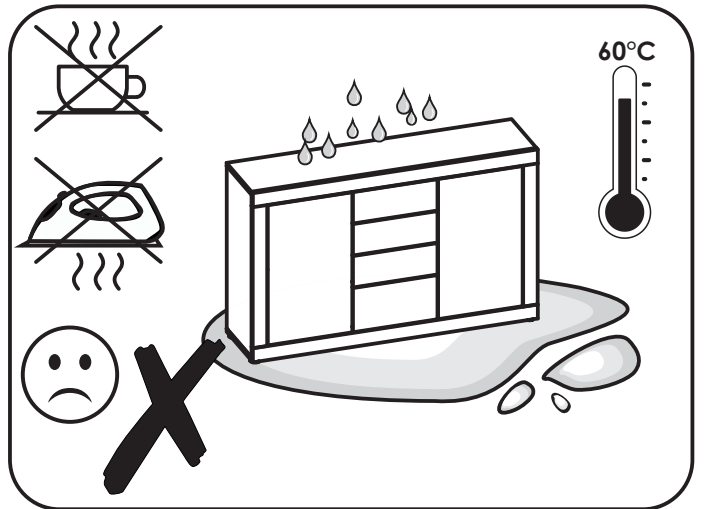
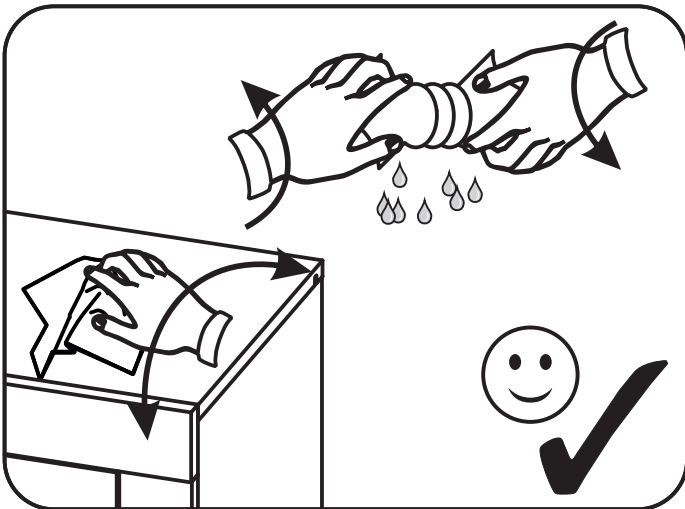
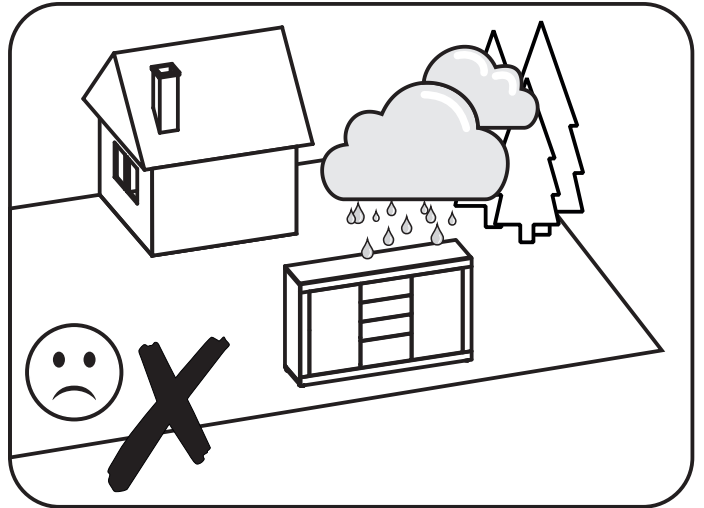
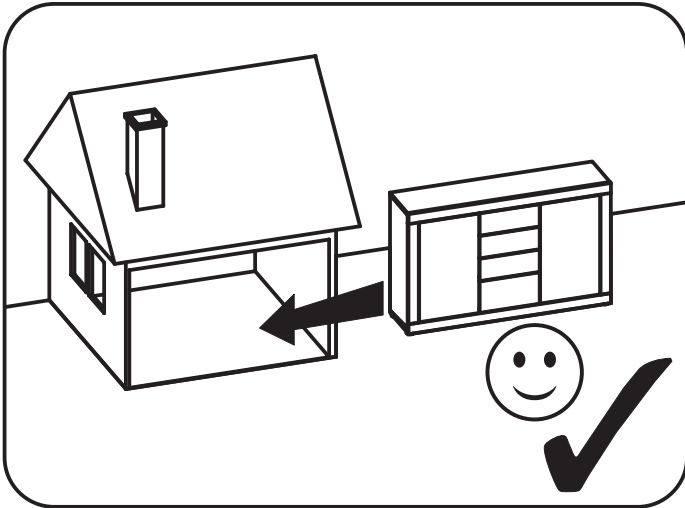


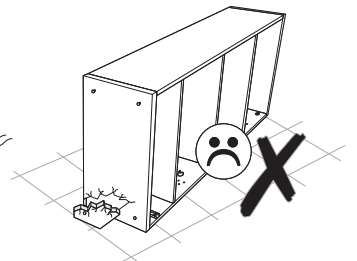
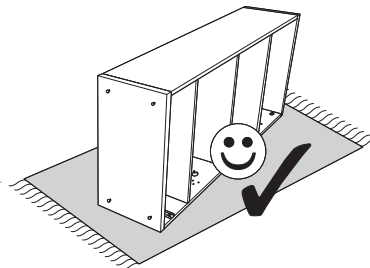
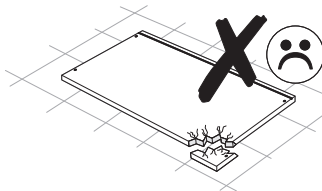
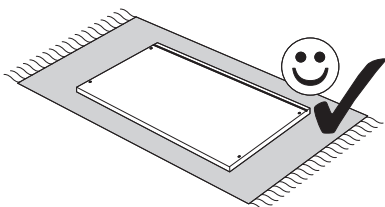
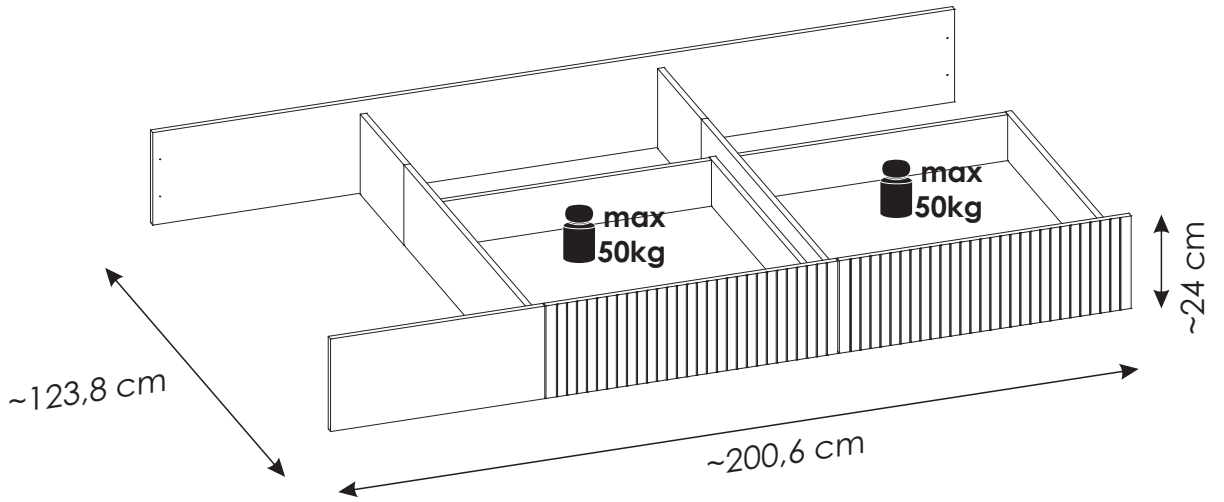
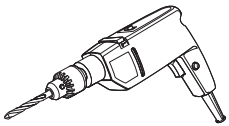
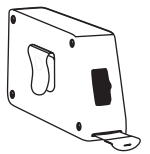
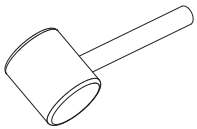
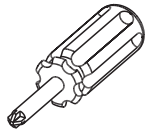
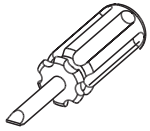
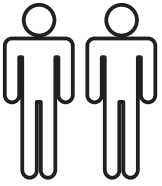
18 ▶

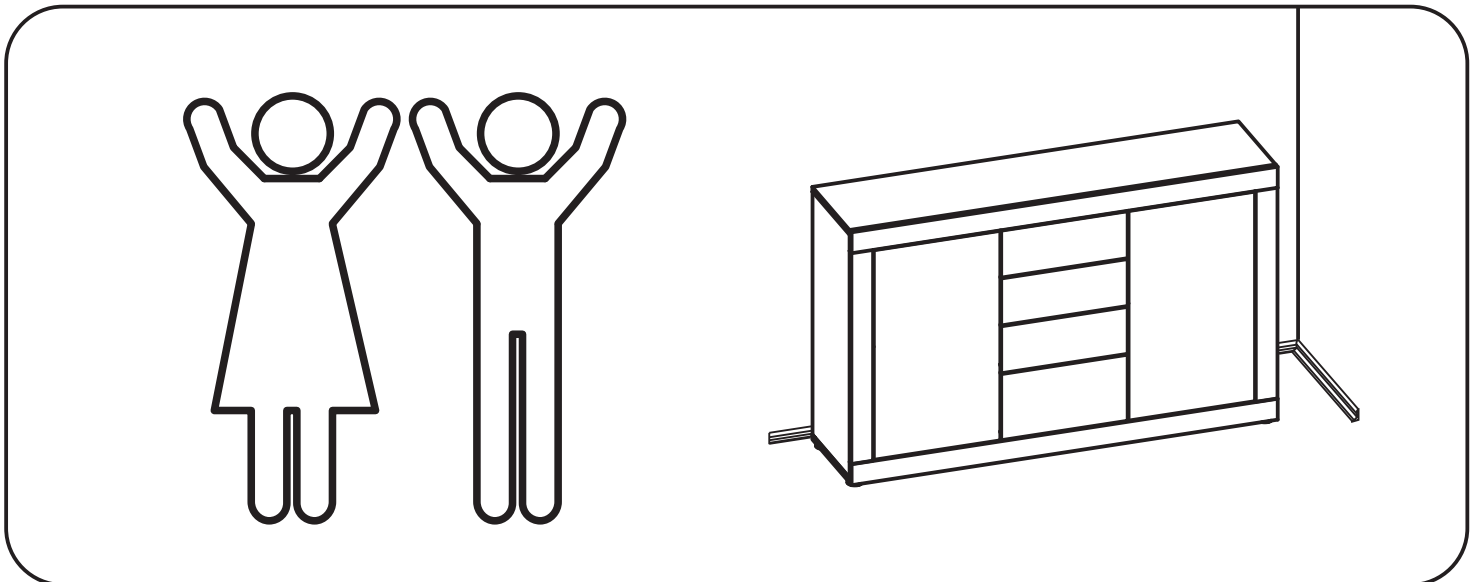
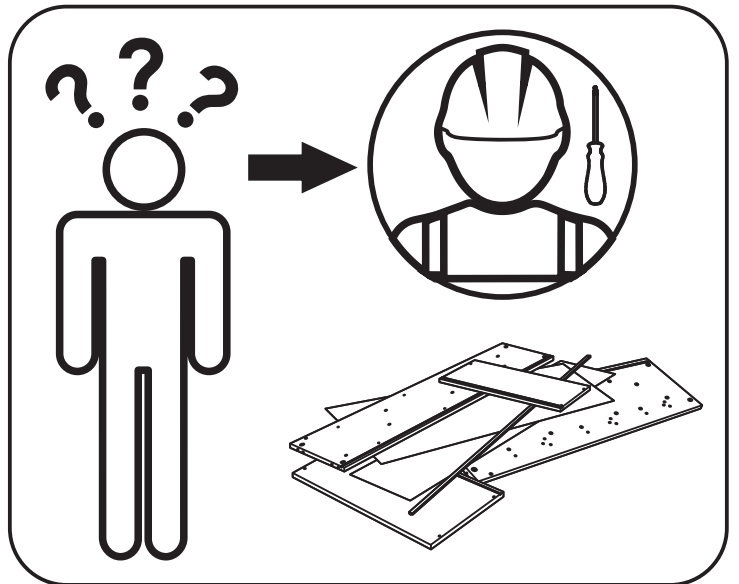
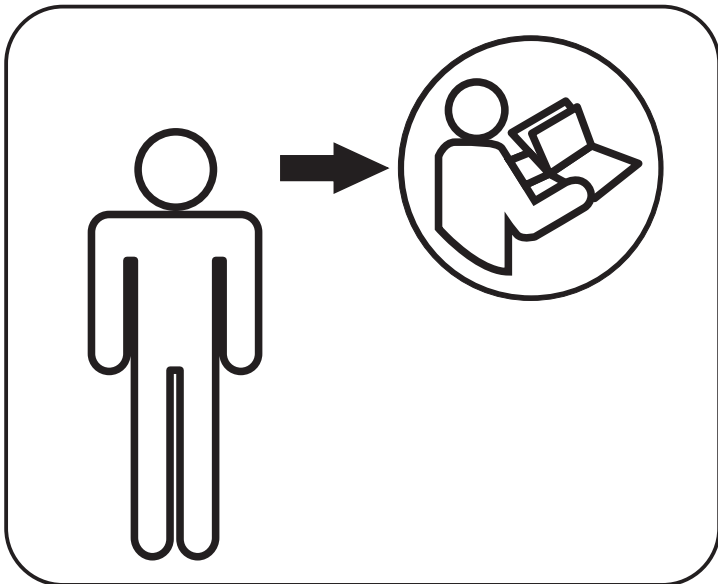
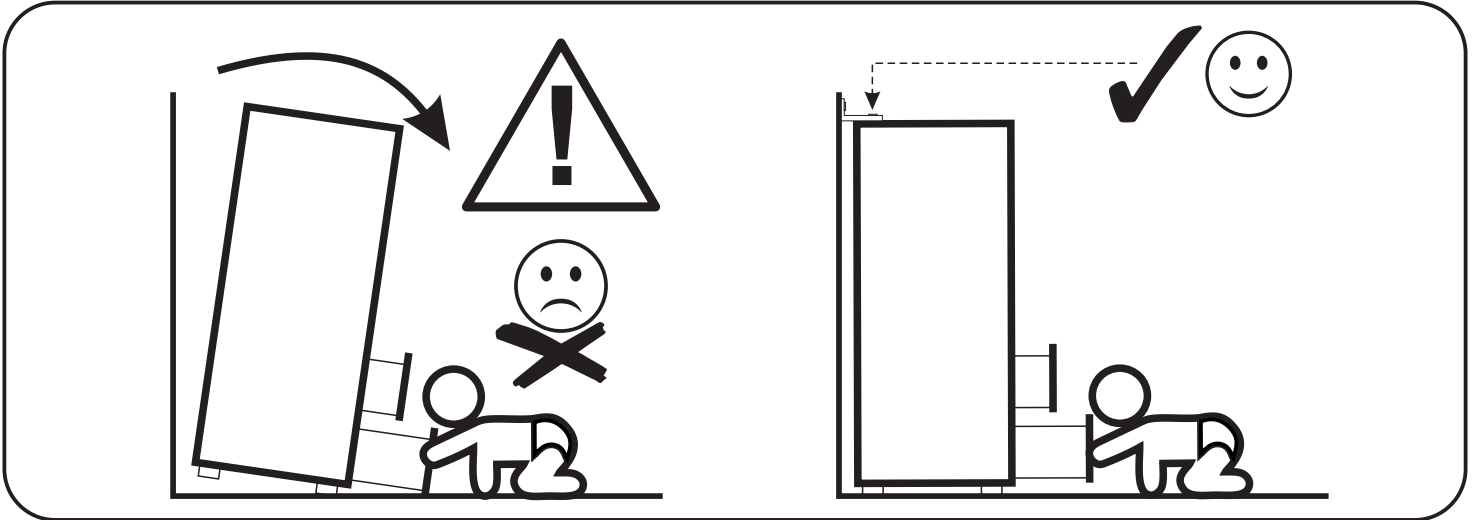
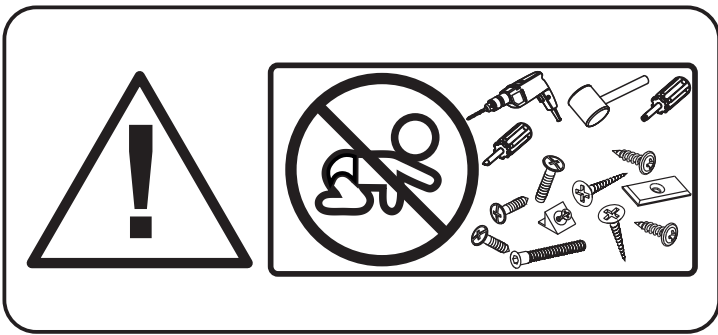






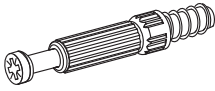
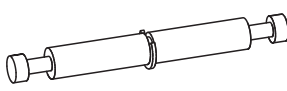
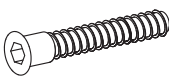
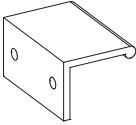
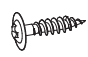
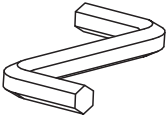
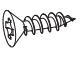

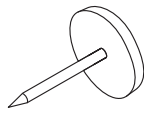
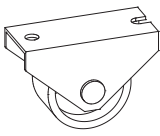
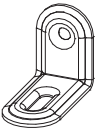
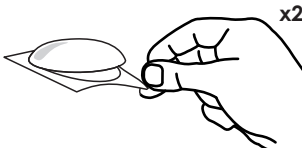
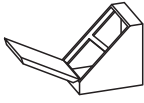
120kg

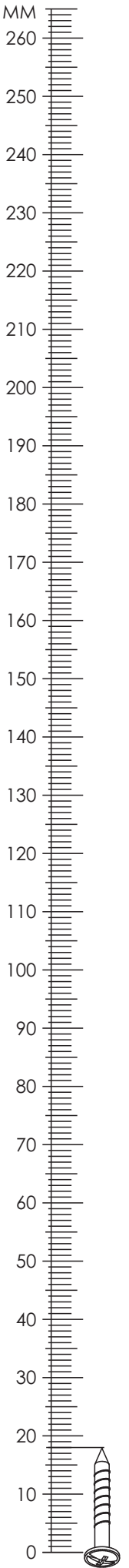


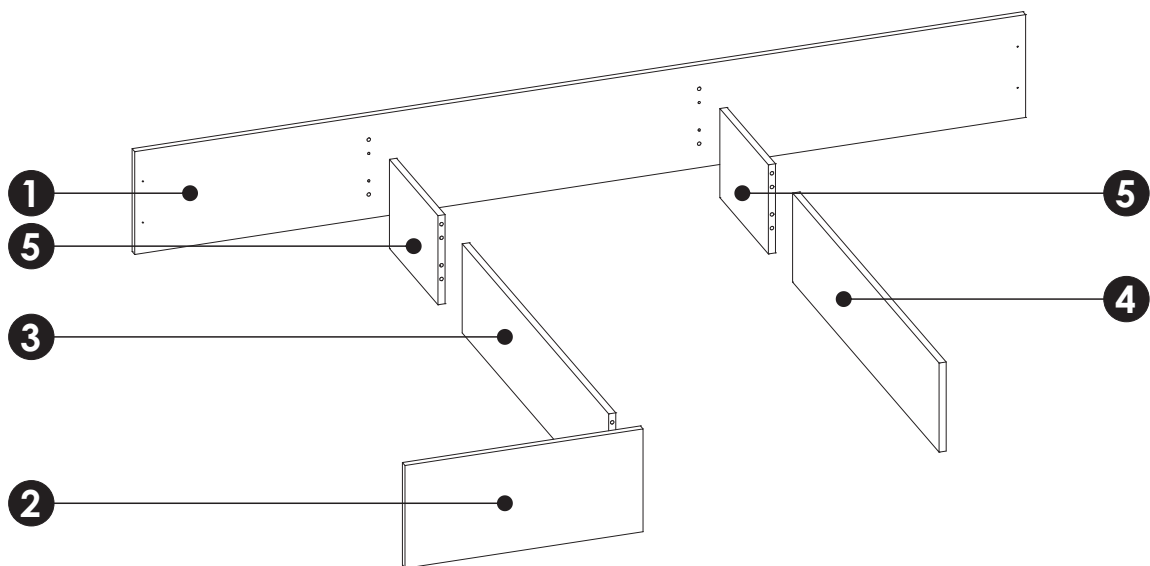
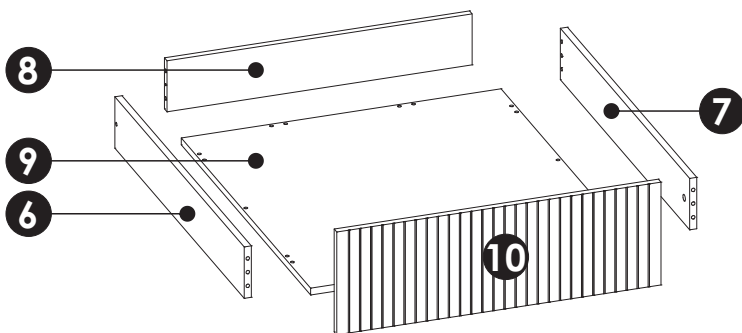
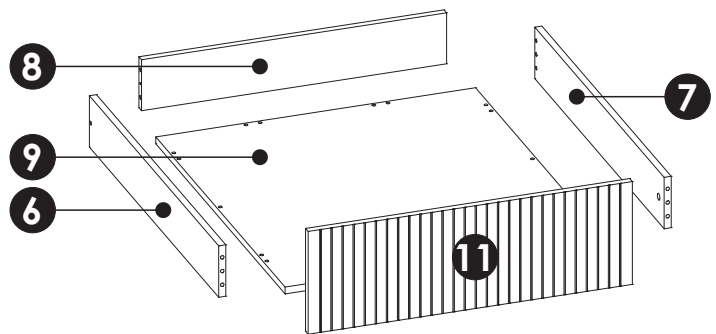
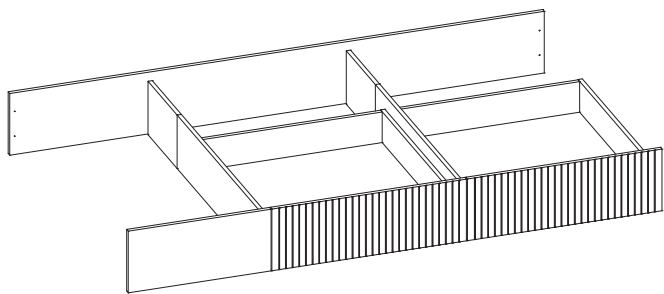






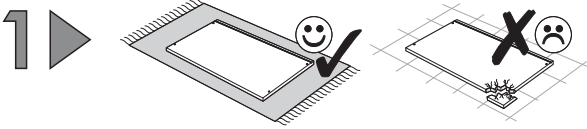
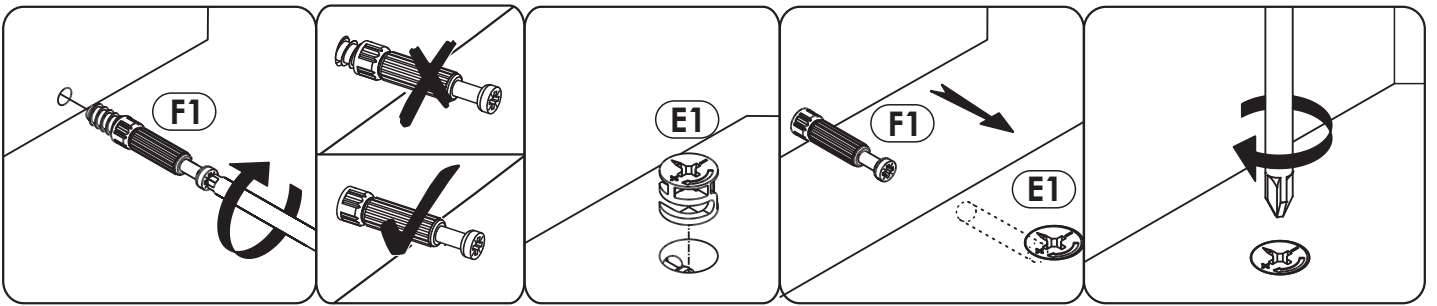
A1 8 x 35 mm x38 	A2 8 x 45 mm x4 	E0 Ø16 x4 
E1 15 x 12 mm x22 	F1 6 x 34 mm x14 	F3 7 x 64 mm x4 
G1 7 x 50 mm x20 	H1 L - 50 mm x2 	I0 3 x 13 mm x16 
M x1 	N4 3,5 x 13 mm x4 	N5 3,5 x 16 mm x16 
O2 x8 	O5 x8 	Q8 x6 
R8 x2 	W x2 	



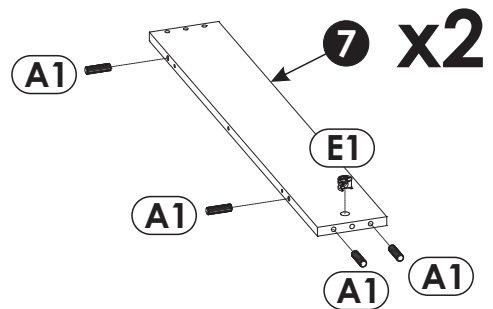
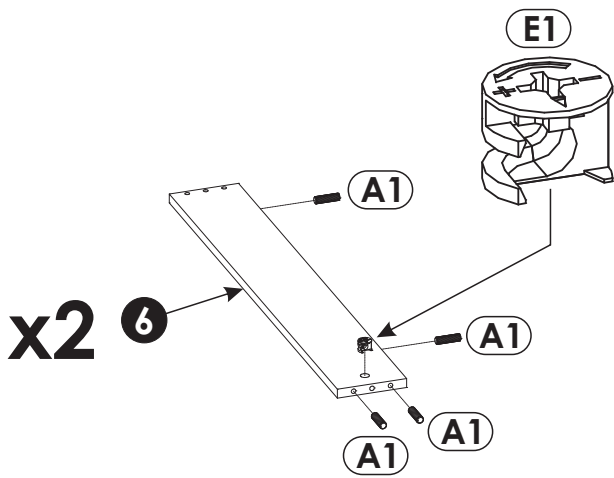
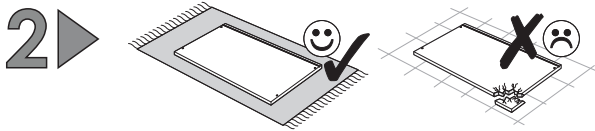
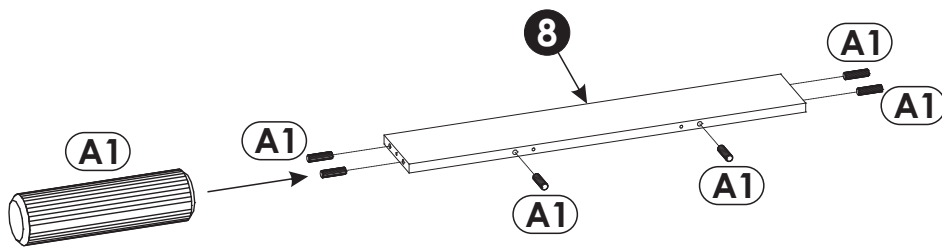


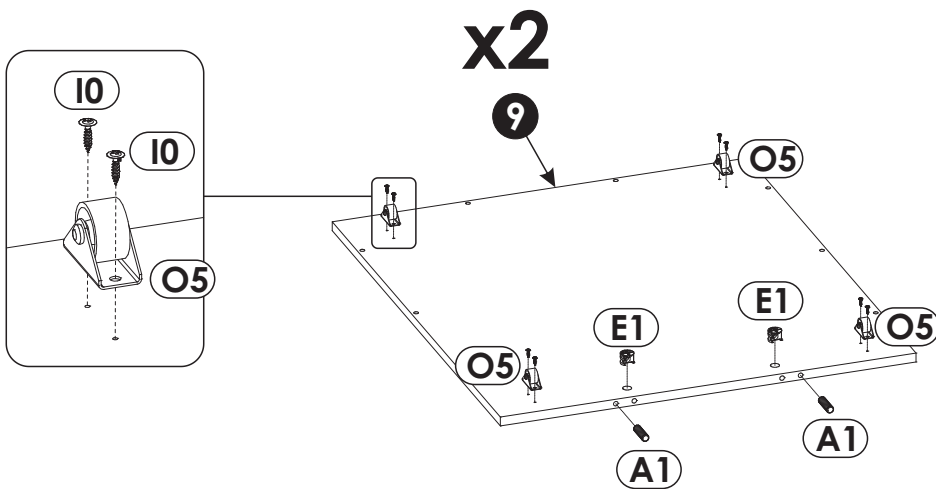
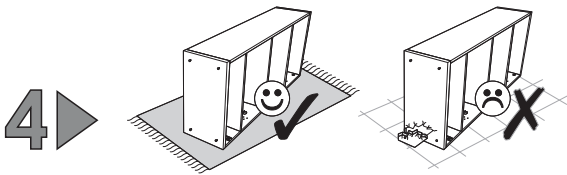
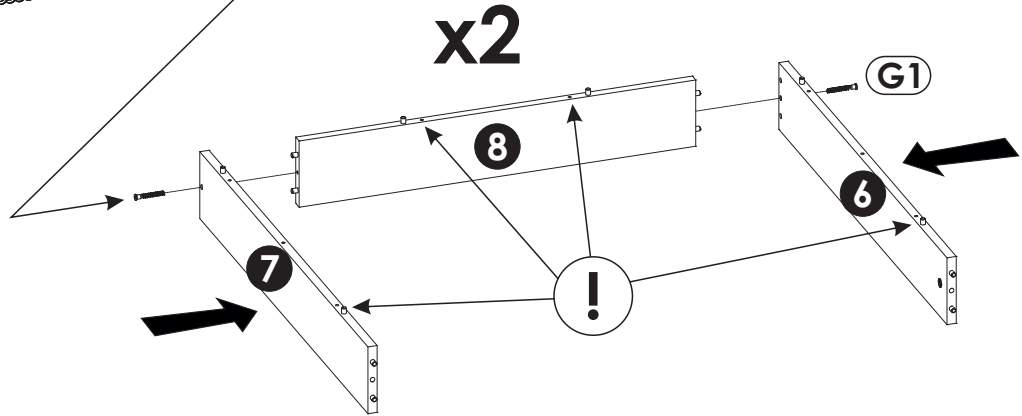
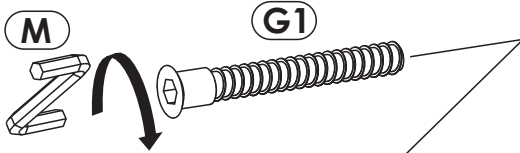
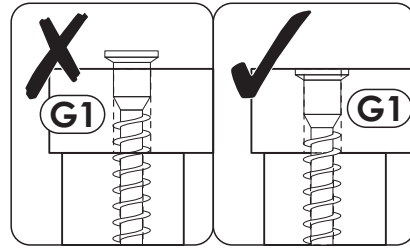
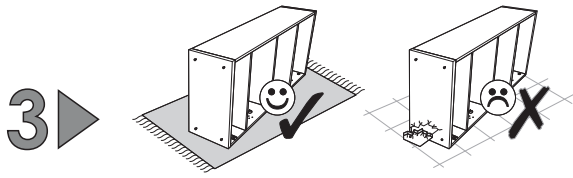
1	240	2006	16	x1	1/1
2	240	536	16	x1	1/1
3	906	208	16	x1	1/1
4	906	208	16	x1	1/1
5	300	208	16	x2	1/1

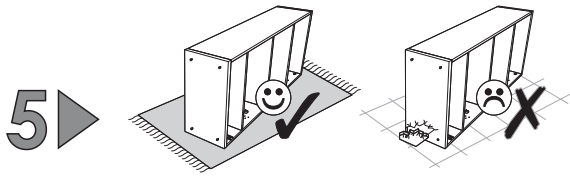
6	800	120	16	x2	1/1
7	800	120	16	x2	1/1
8	687	119	16	x2	1/1
9	720	800	16	x2	1/1
10	240	730	16	x1	1/1
11	240	730	16	x1	1/1



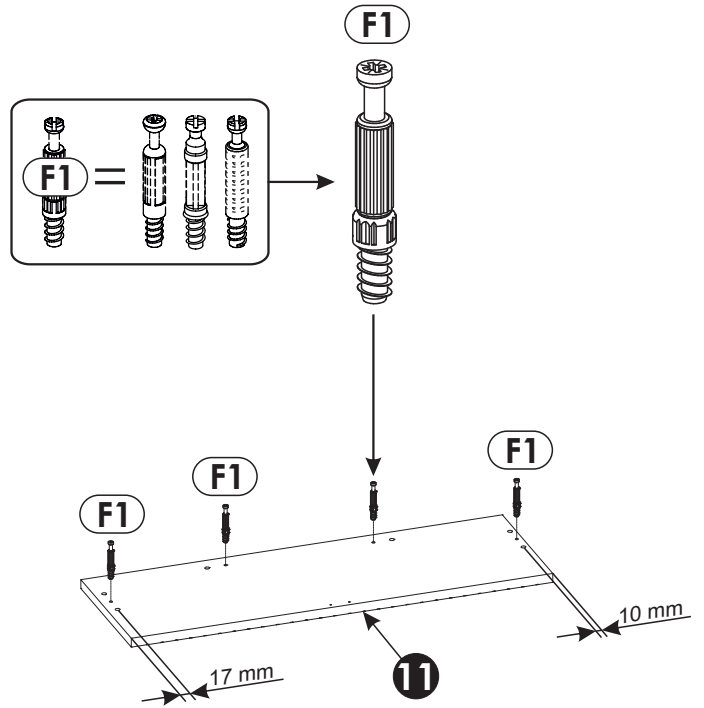
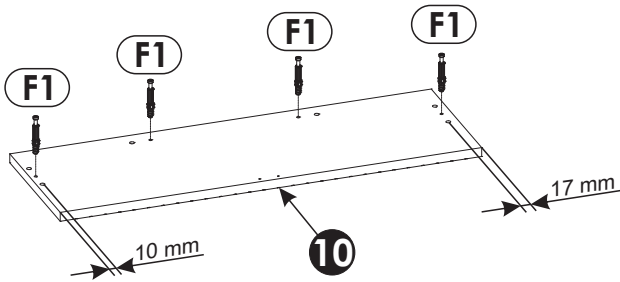
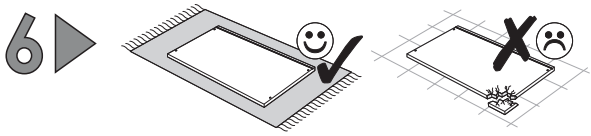
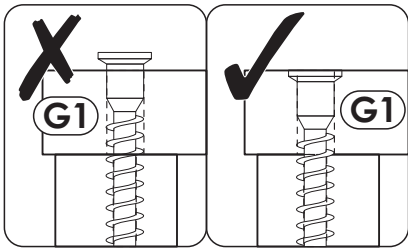
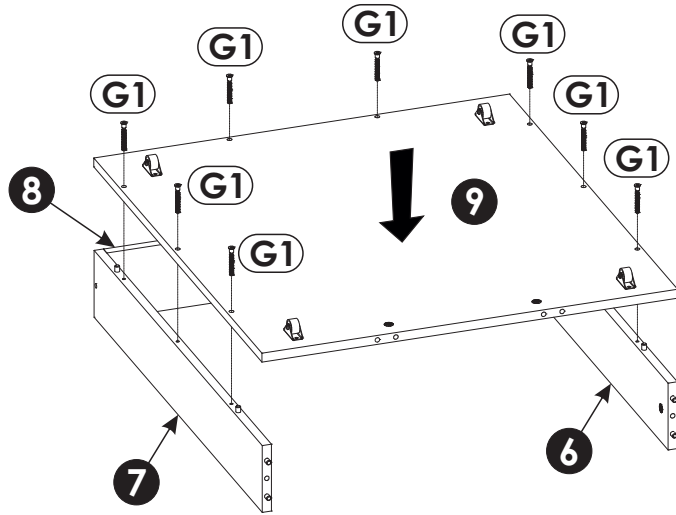
x2

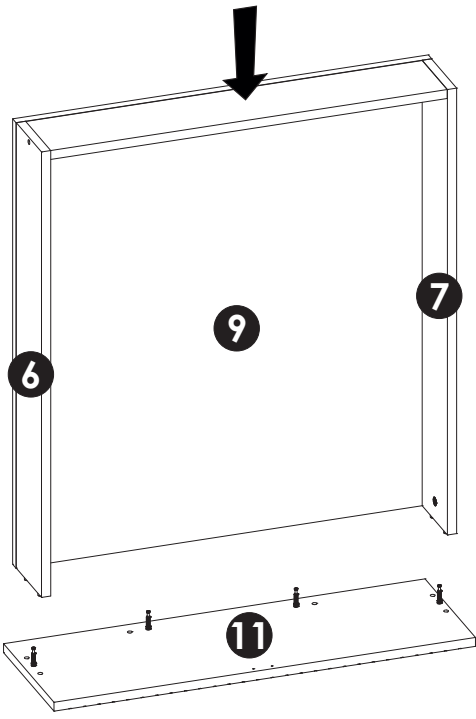
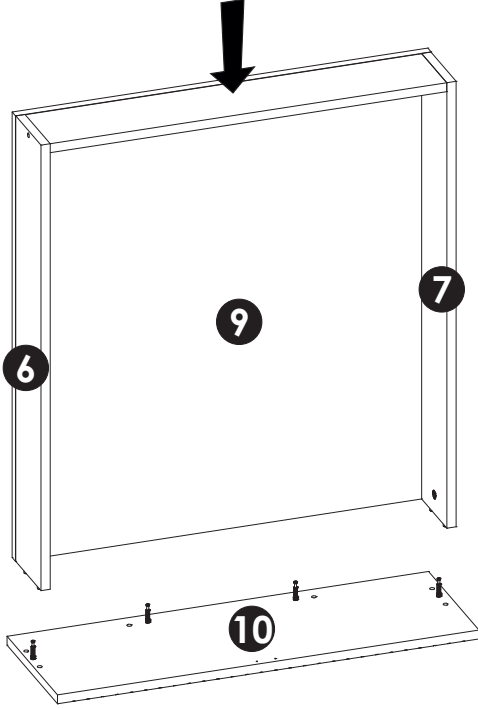
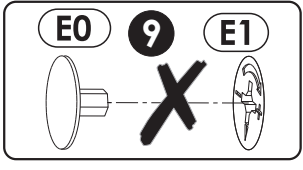
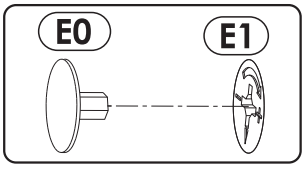
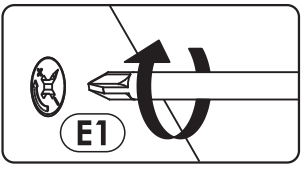
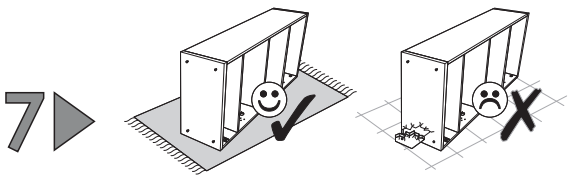




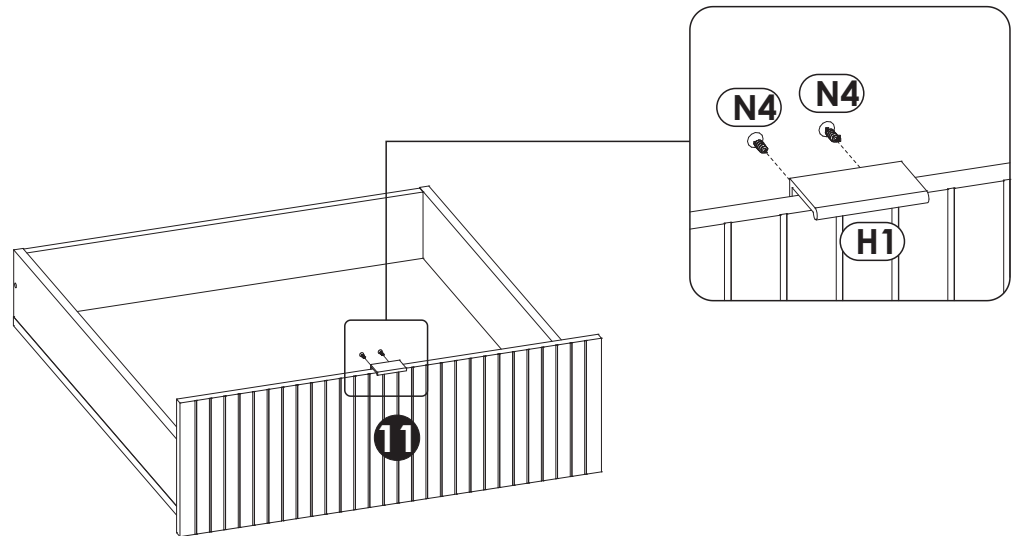
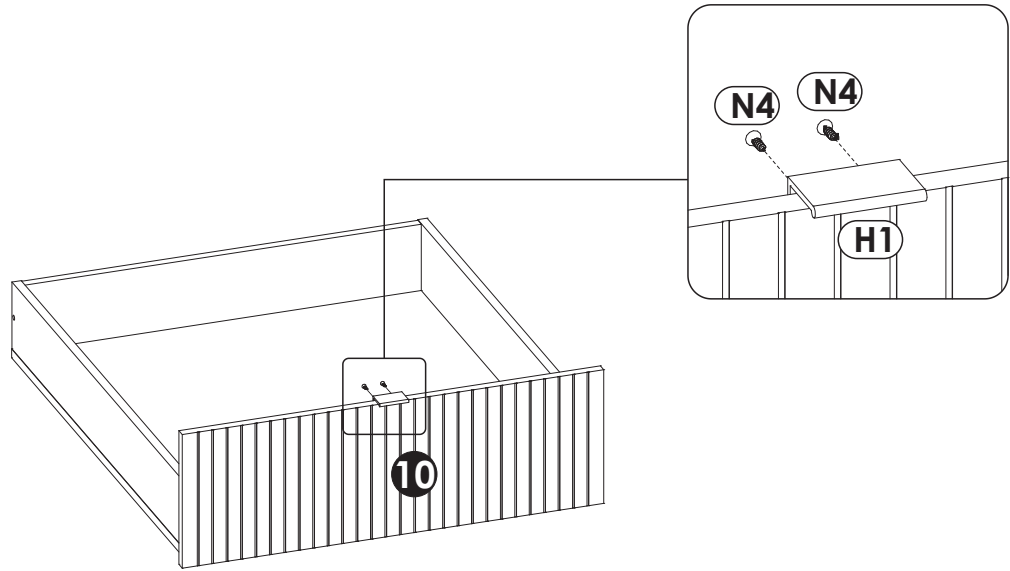
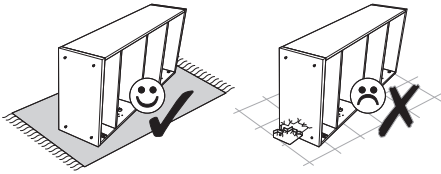


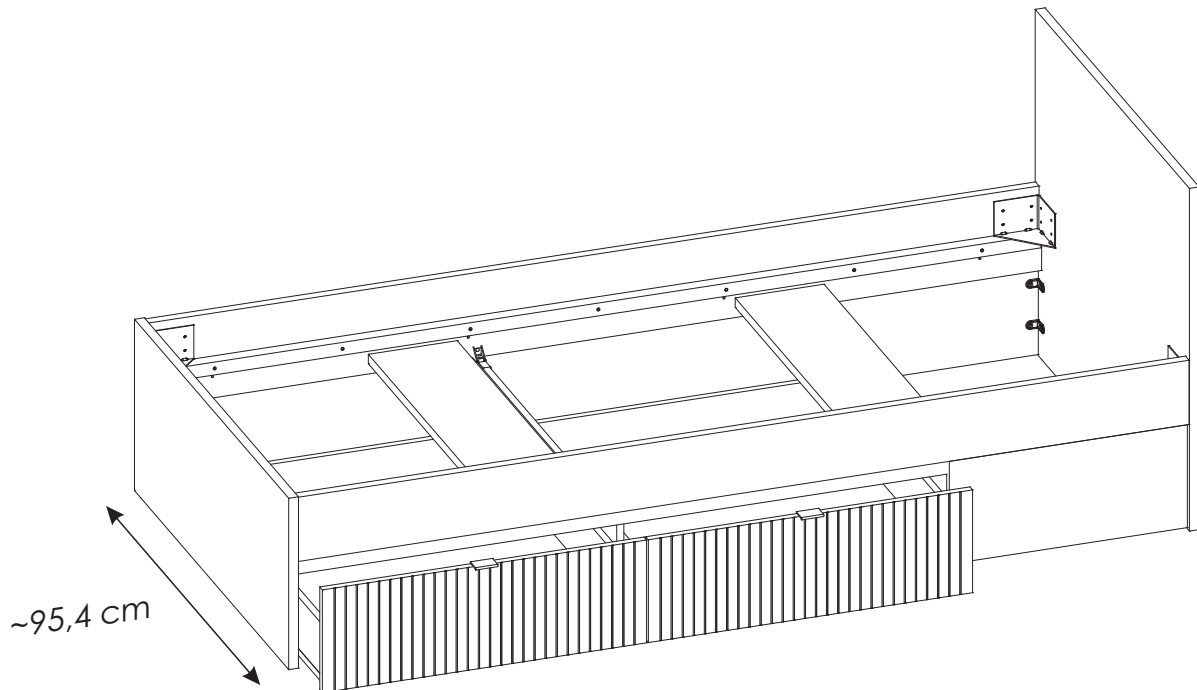
x2



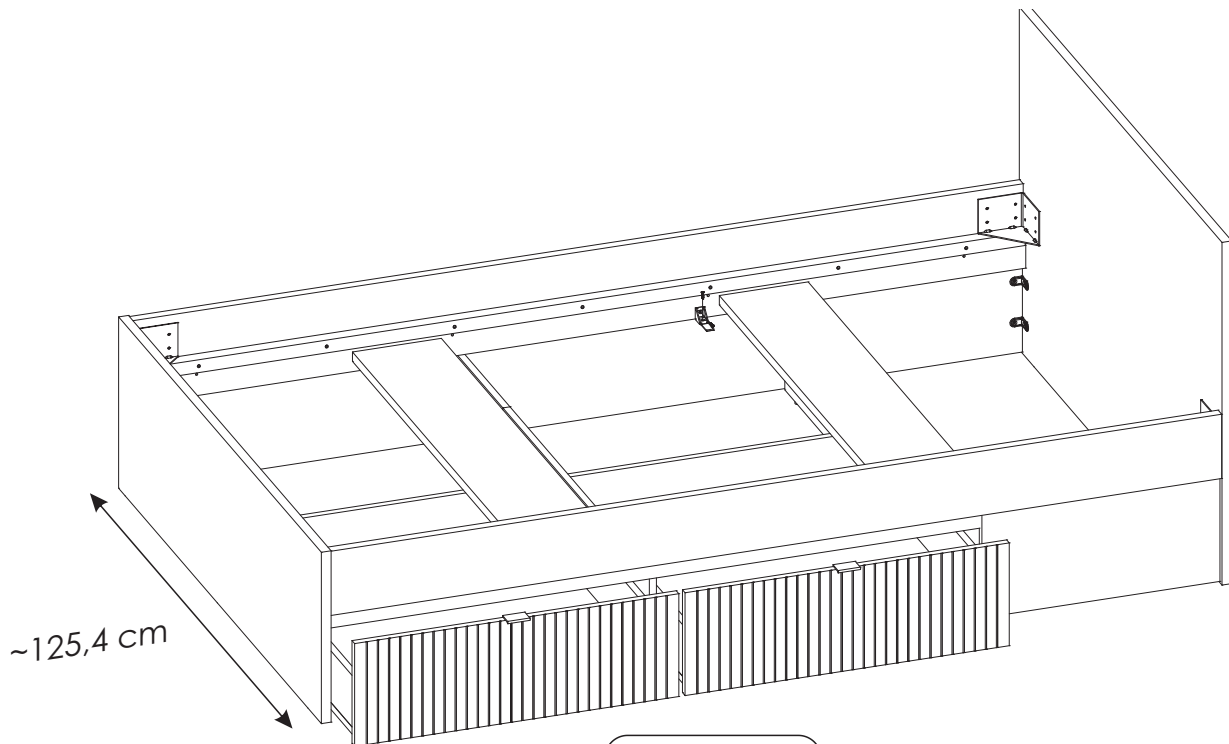


8 ▶



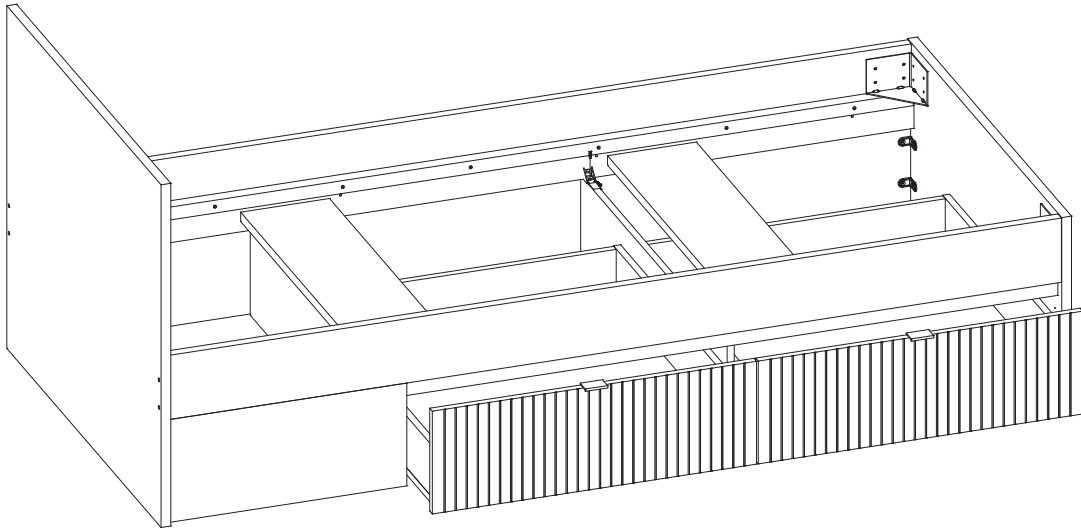


11-22



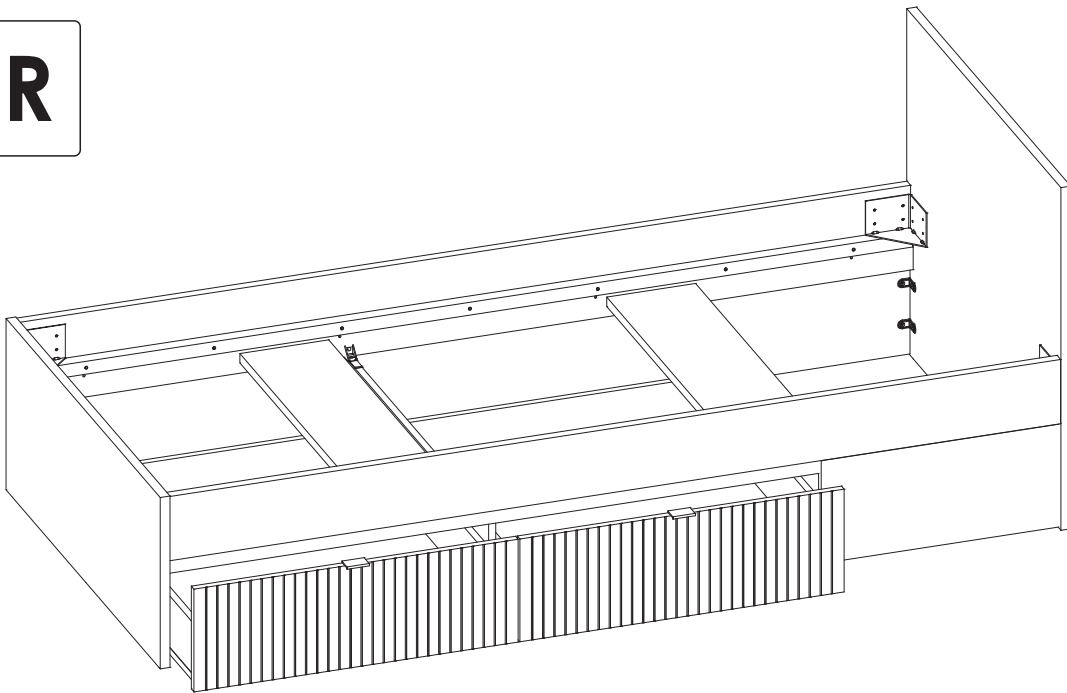
23-40

L



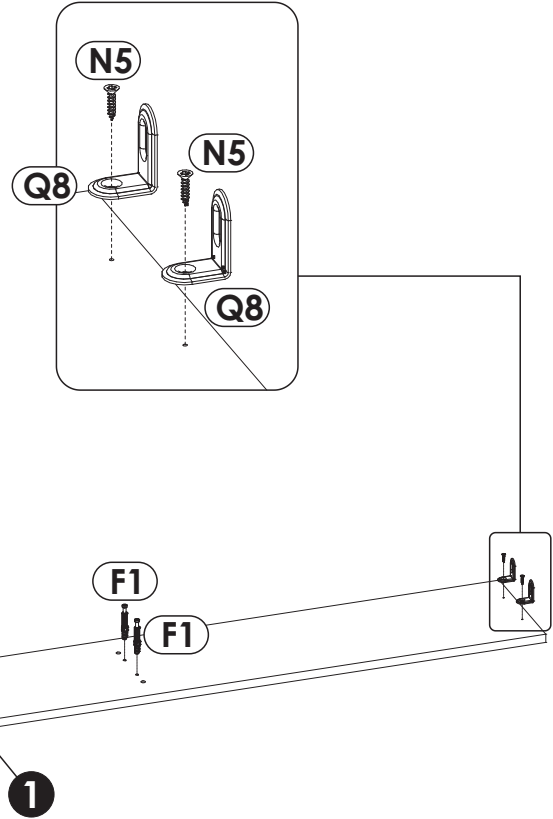
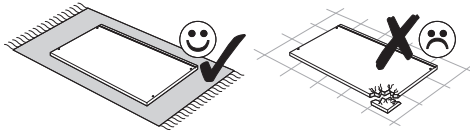
12-16

R

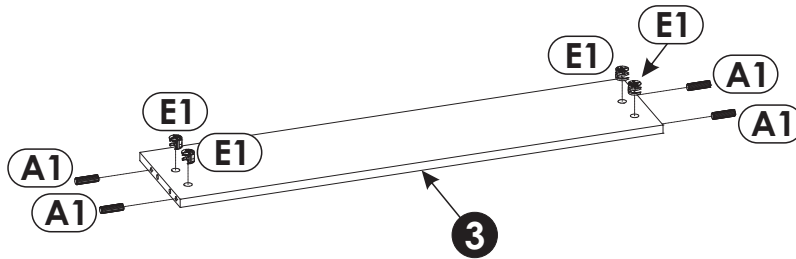
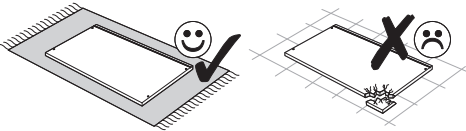


17-22

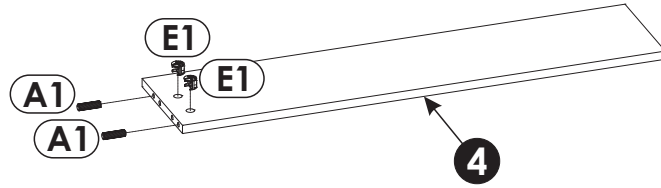
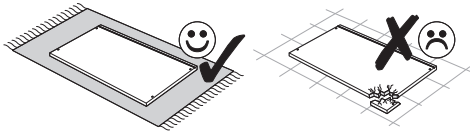
9 ▶



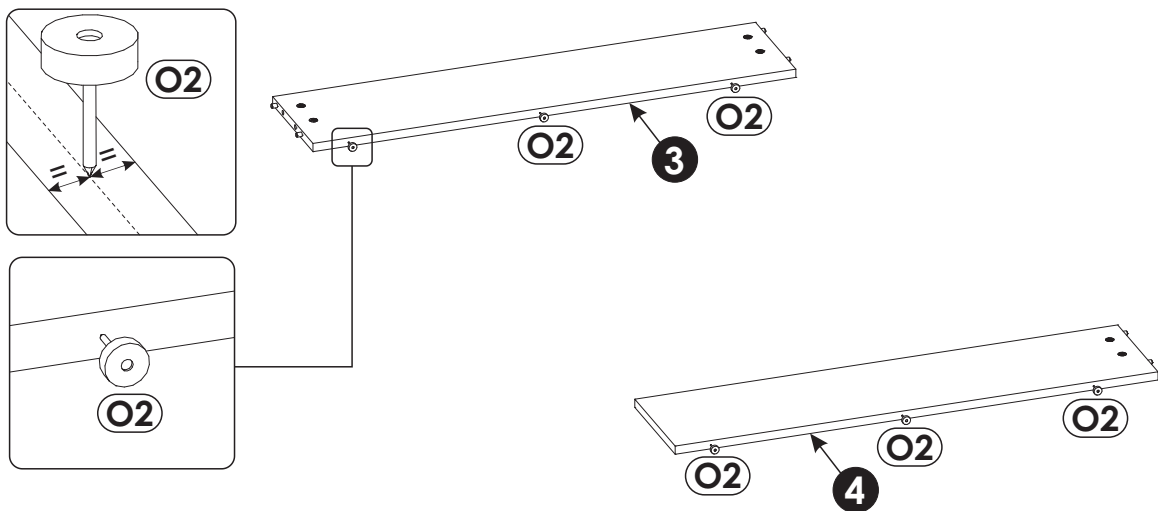
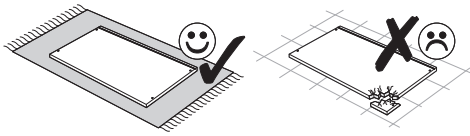
10 ▶



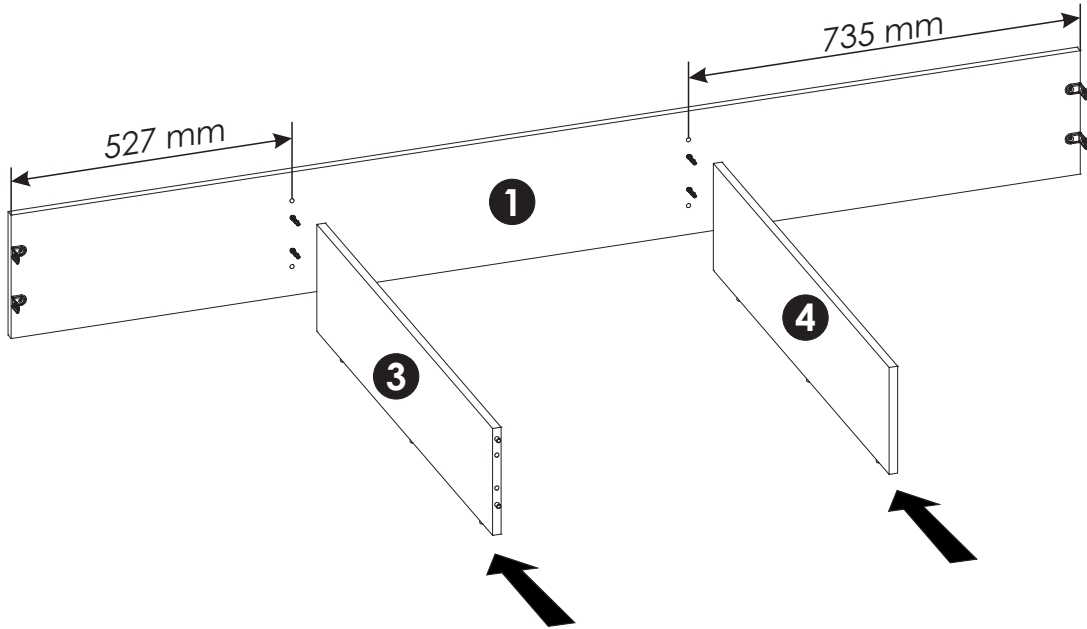
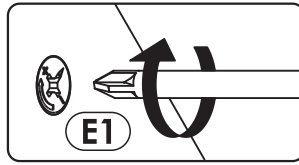
11▶



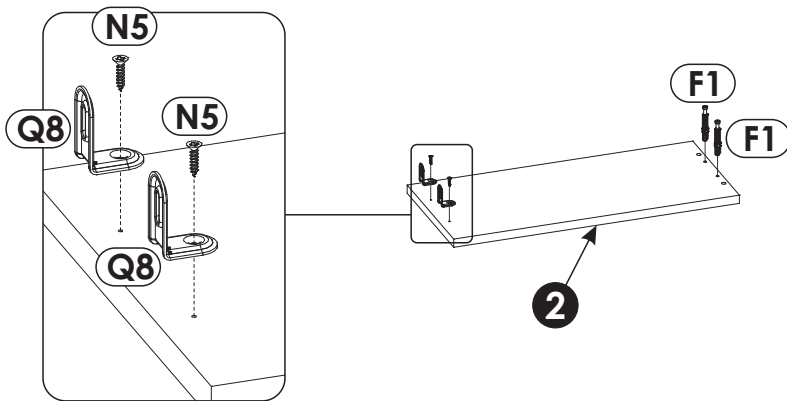
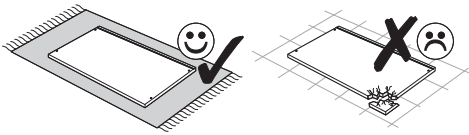
12▶



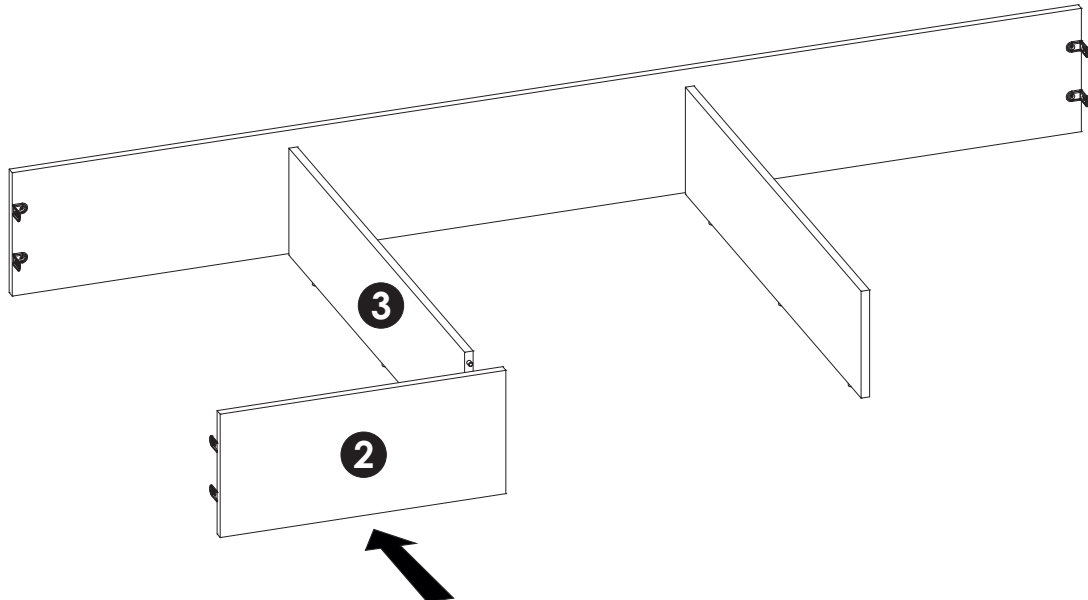
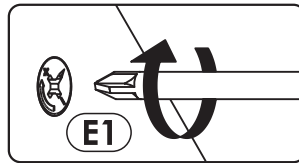
13▶



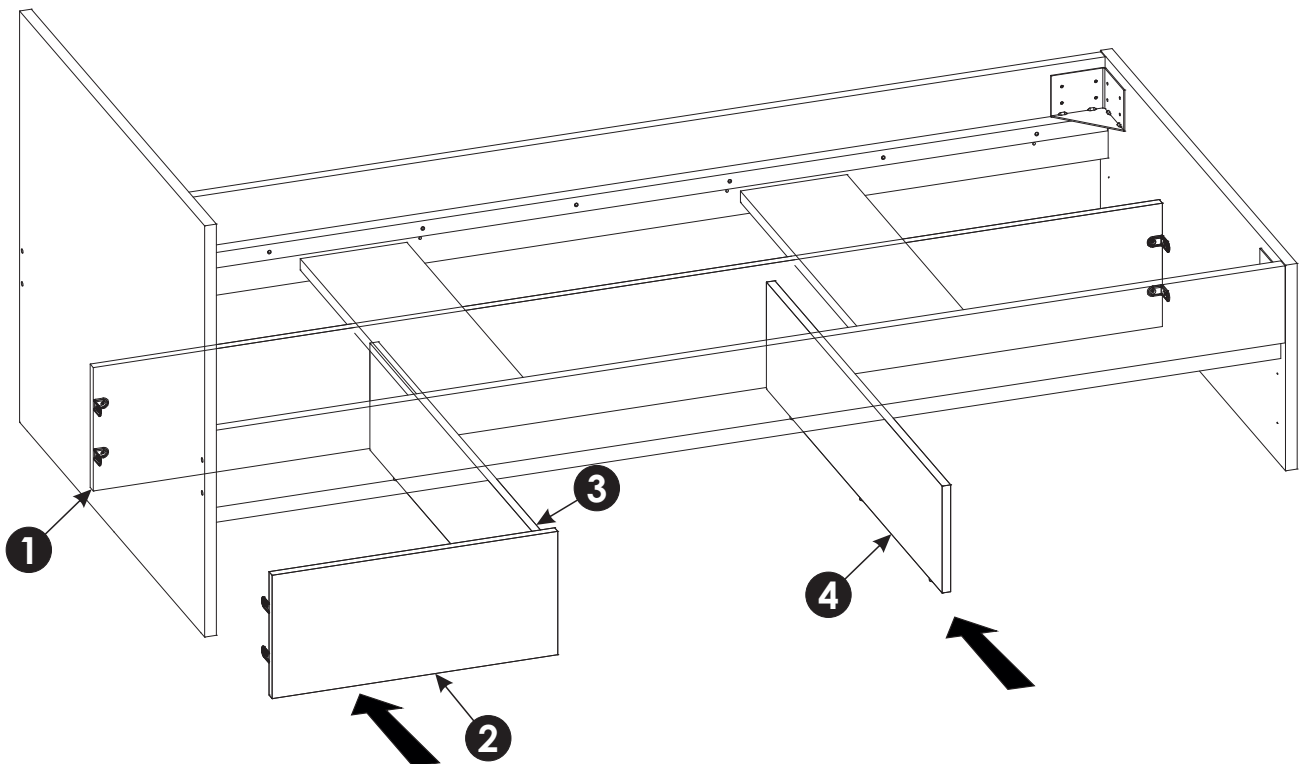
14▶



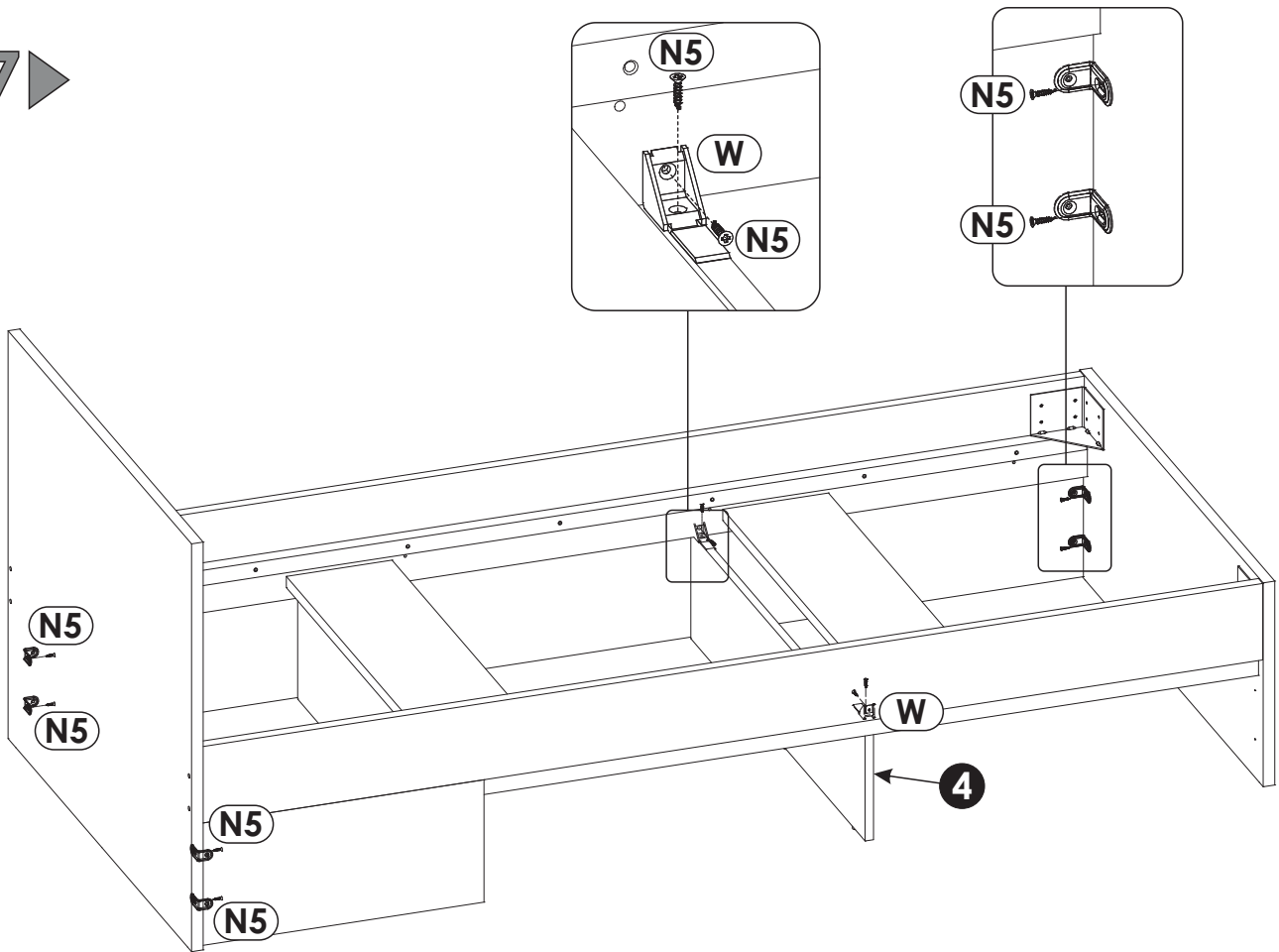
15▶



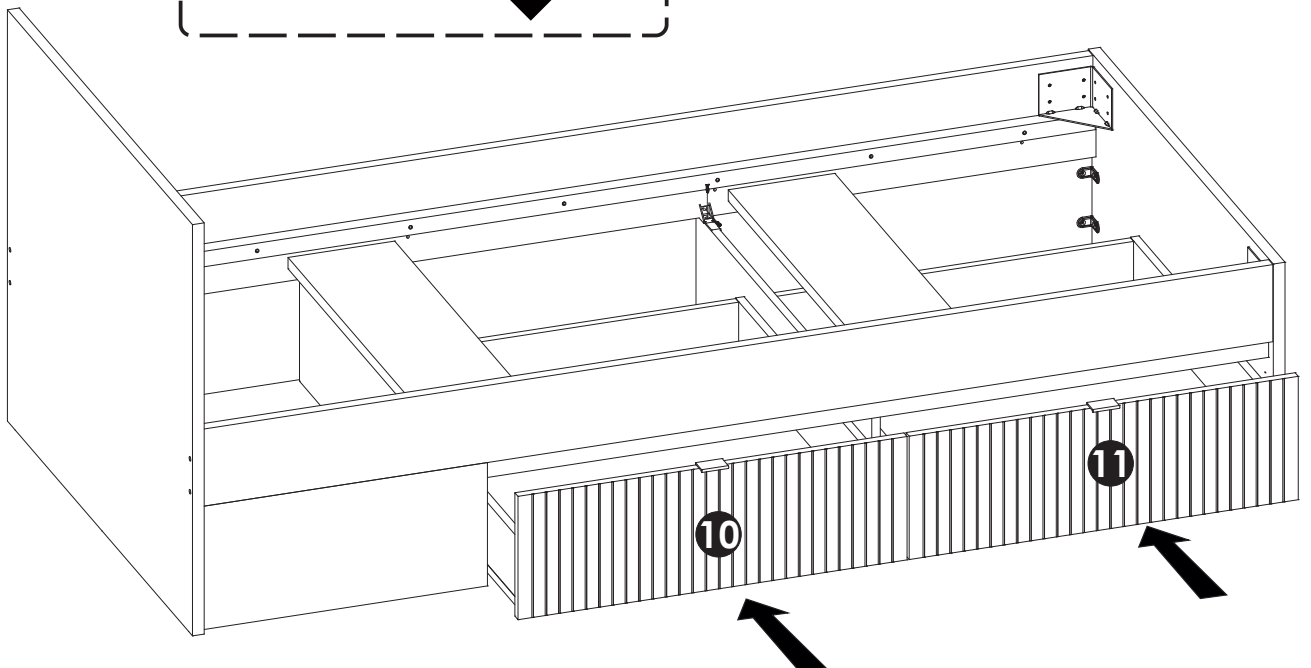
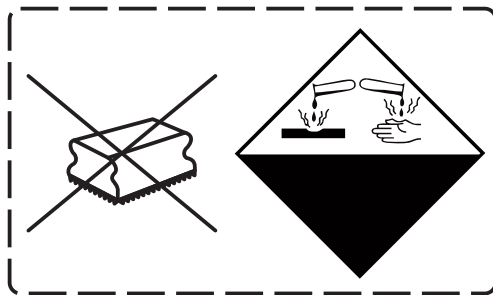
16▶



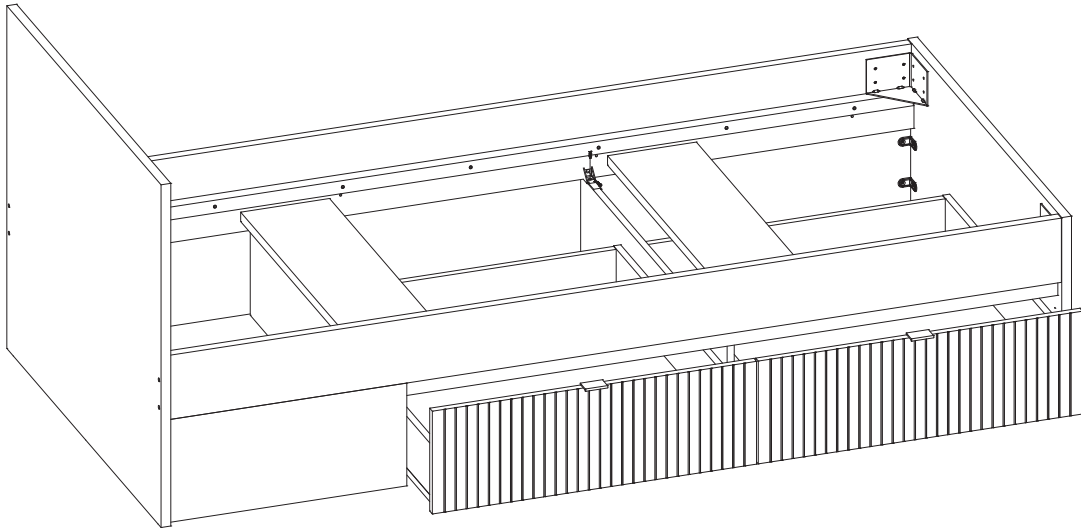
17▶



18▶

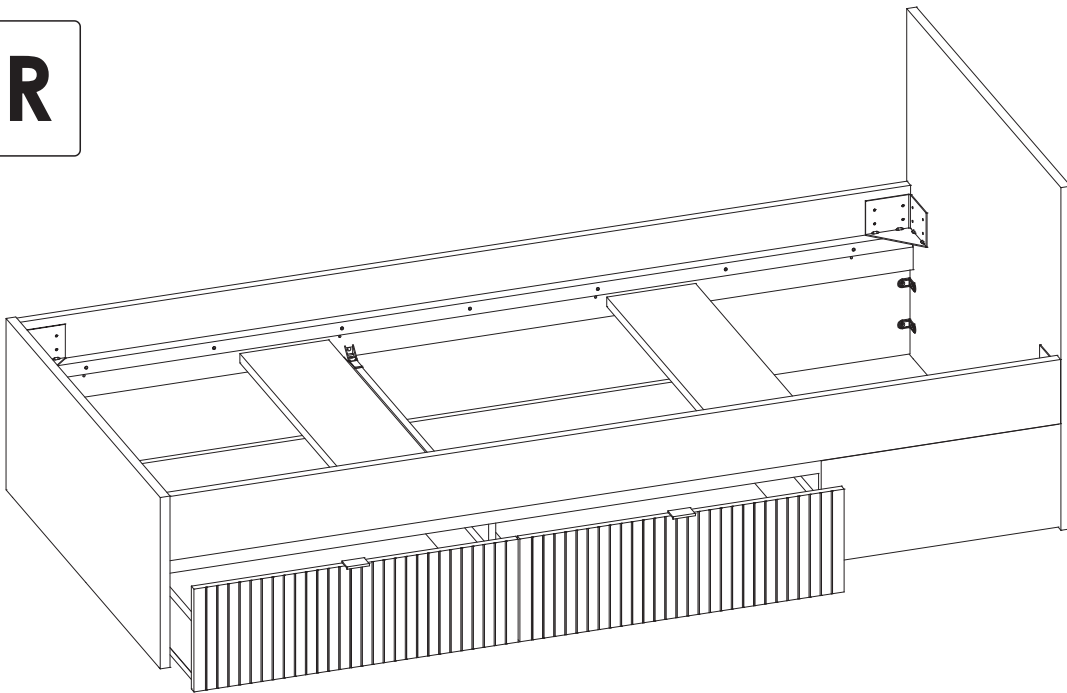


L



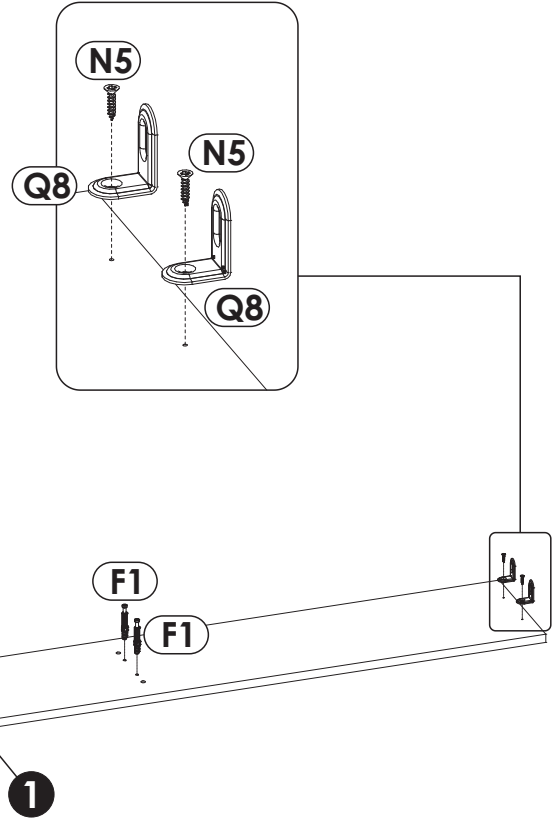
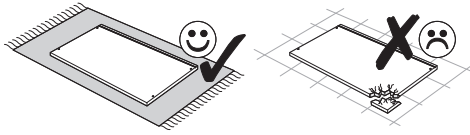
12-16

R

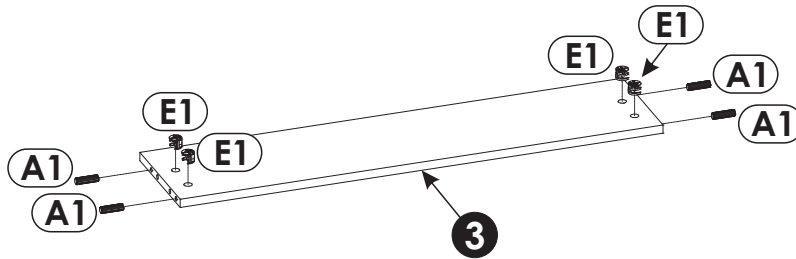
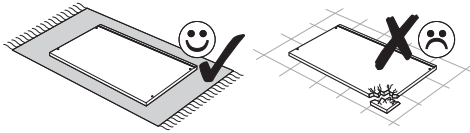


17-22

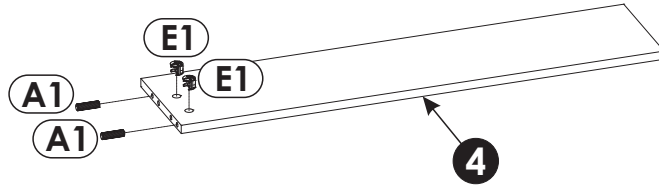
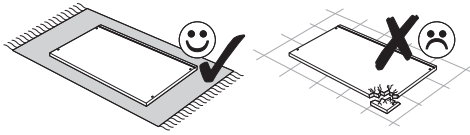
9 ▶



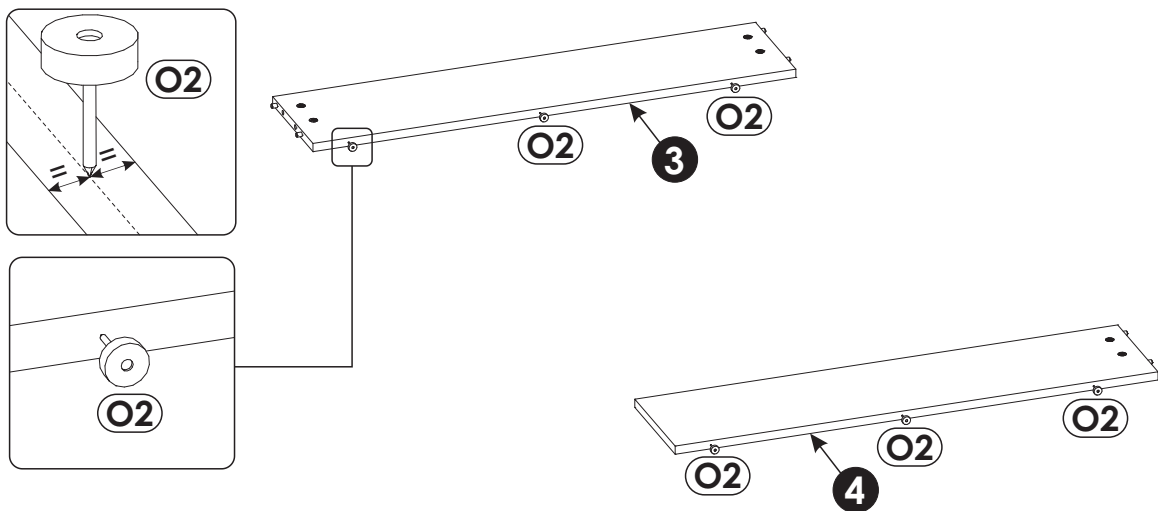
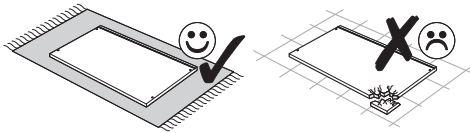
10 ▶



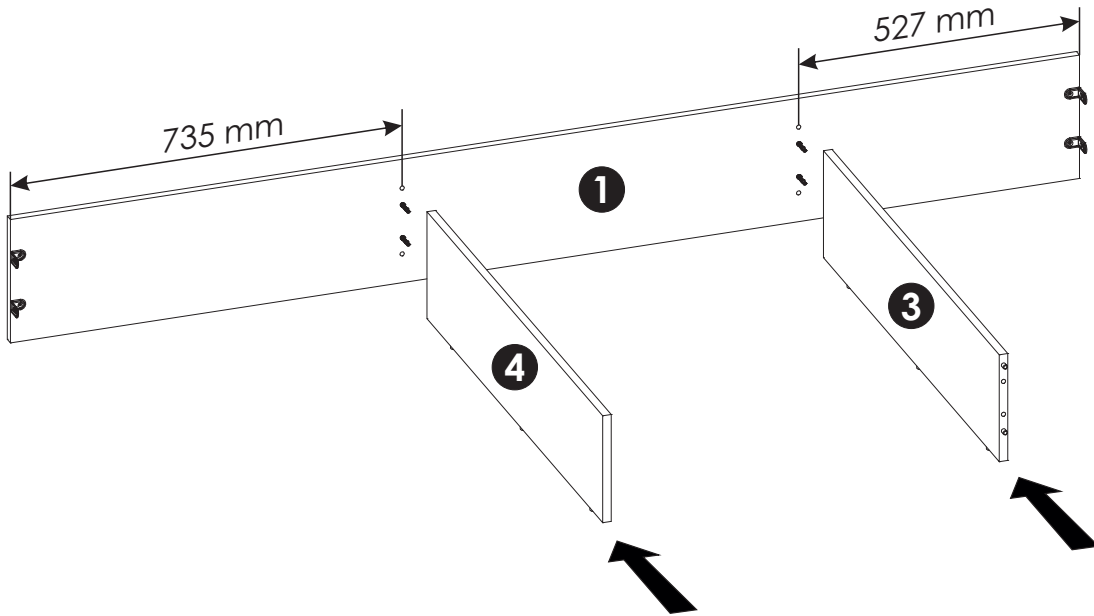
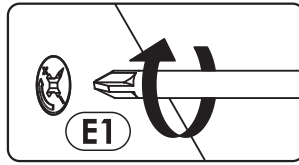
11▶



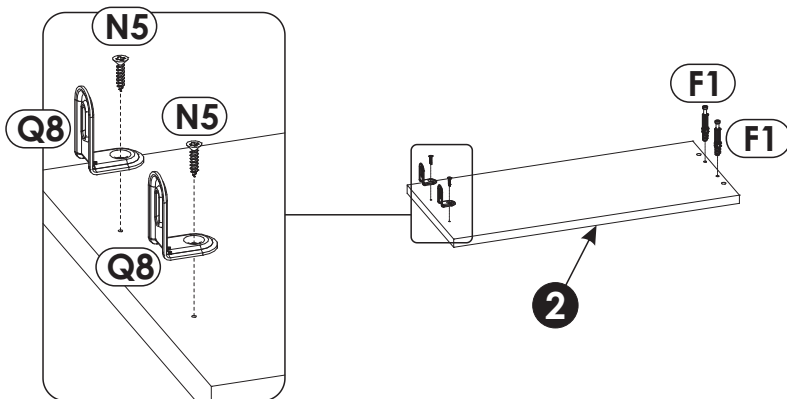
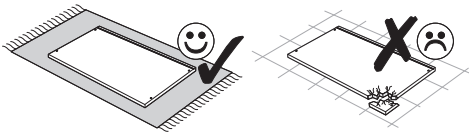
12▶



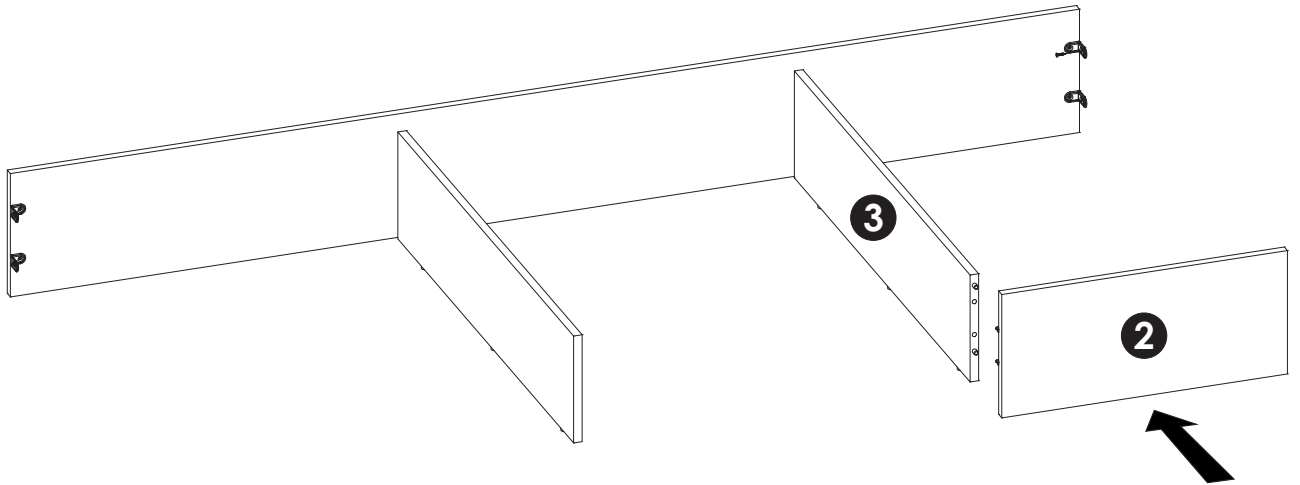
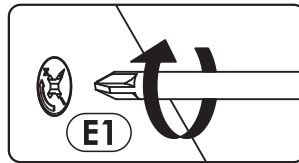
13▶



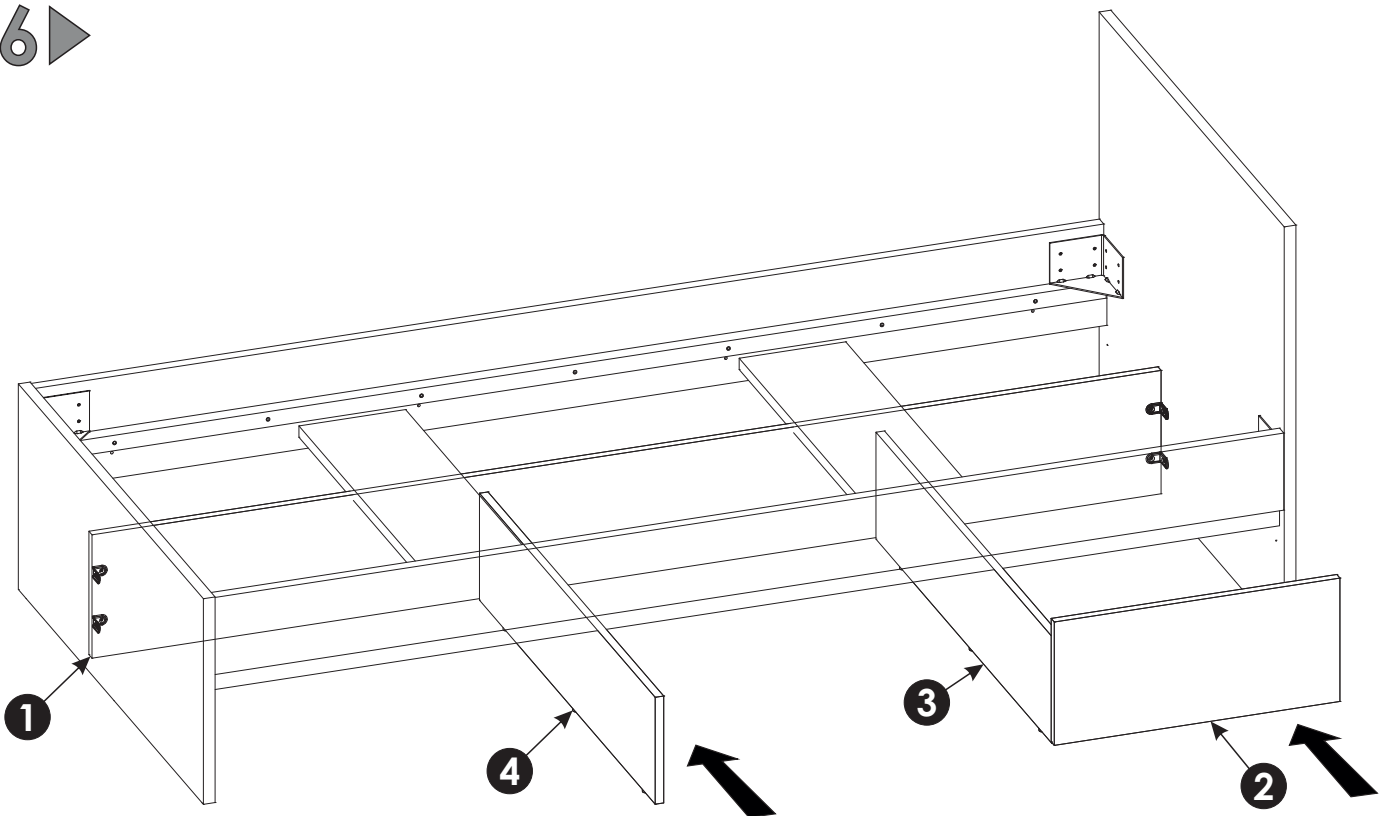
14▶



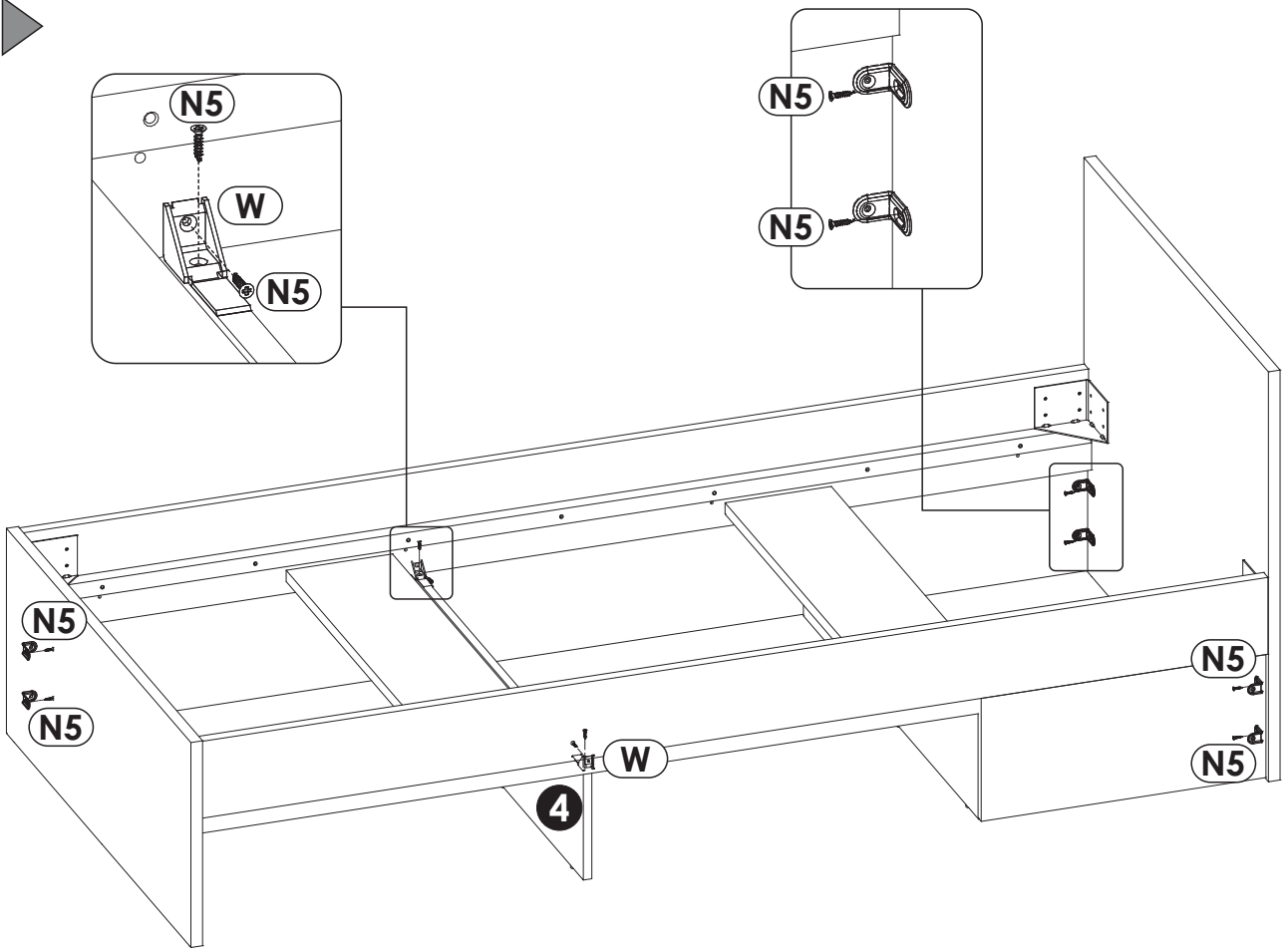
15▶



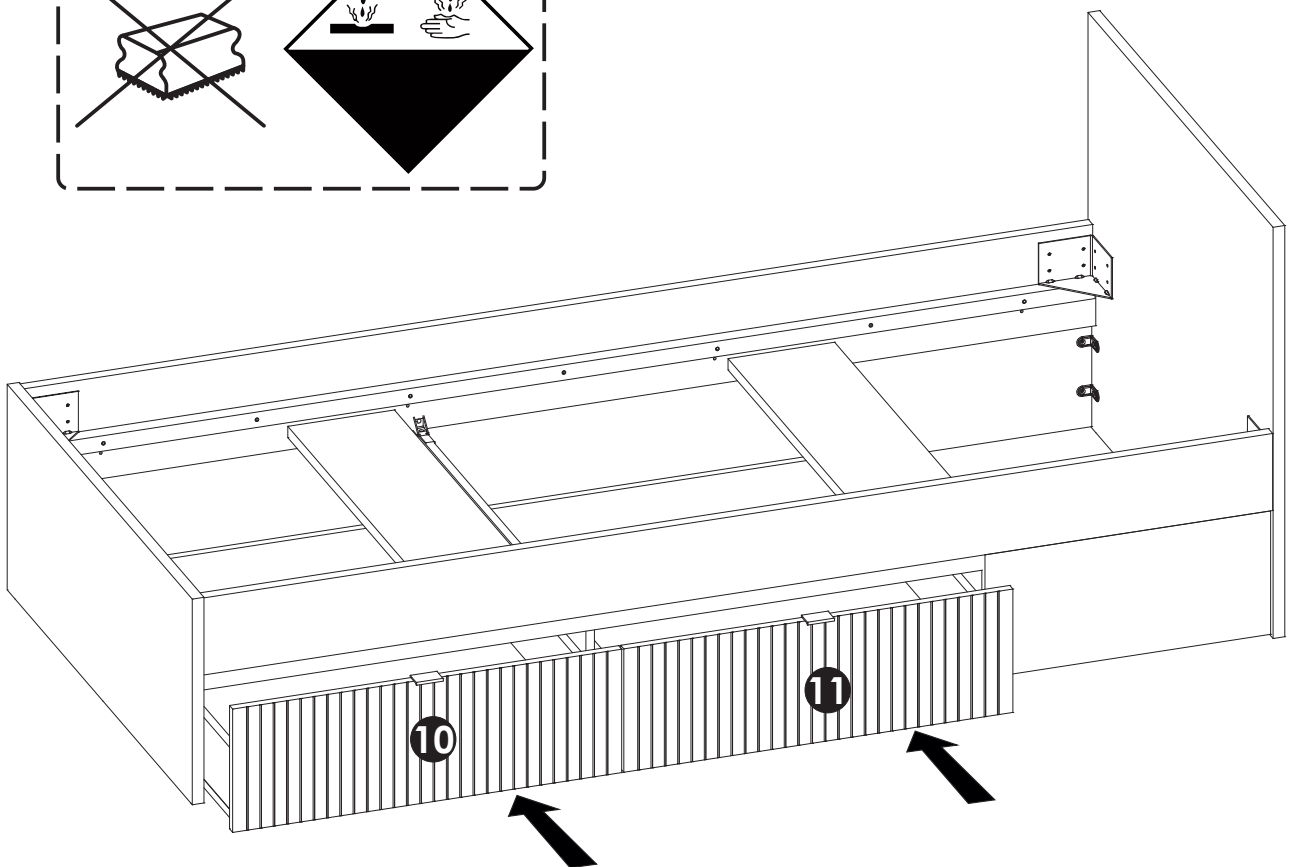
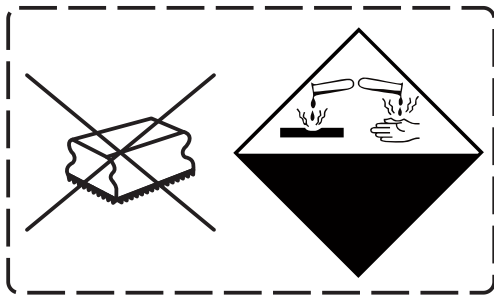
16▶

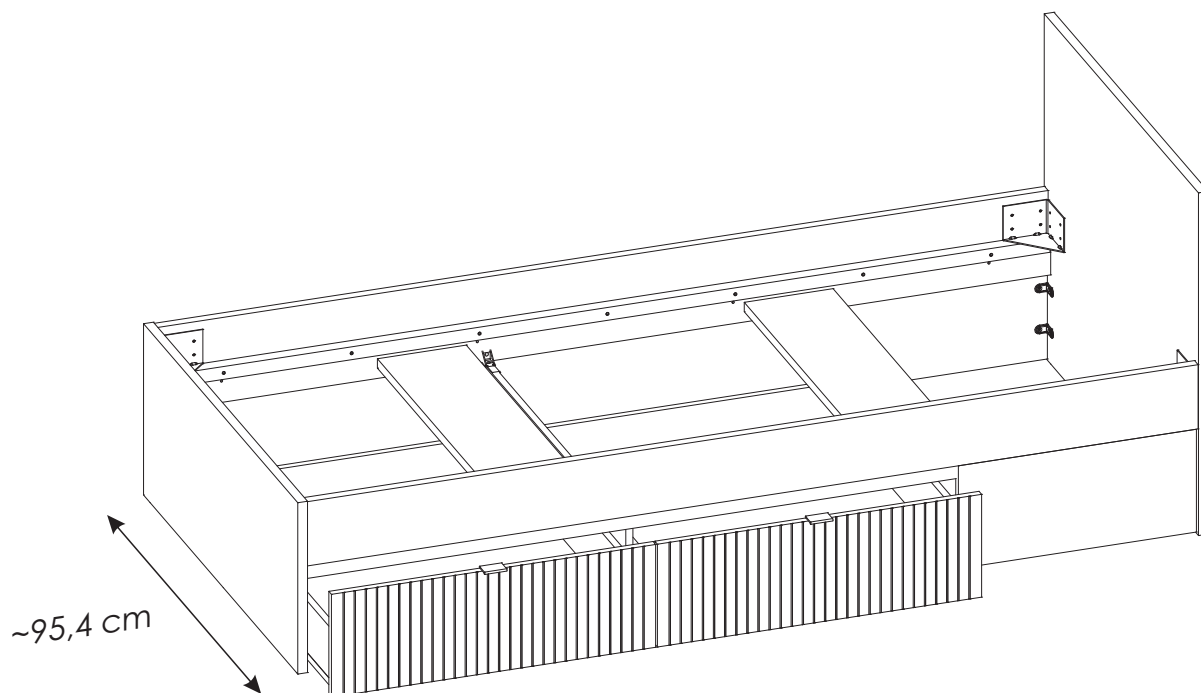


17▶

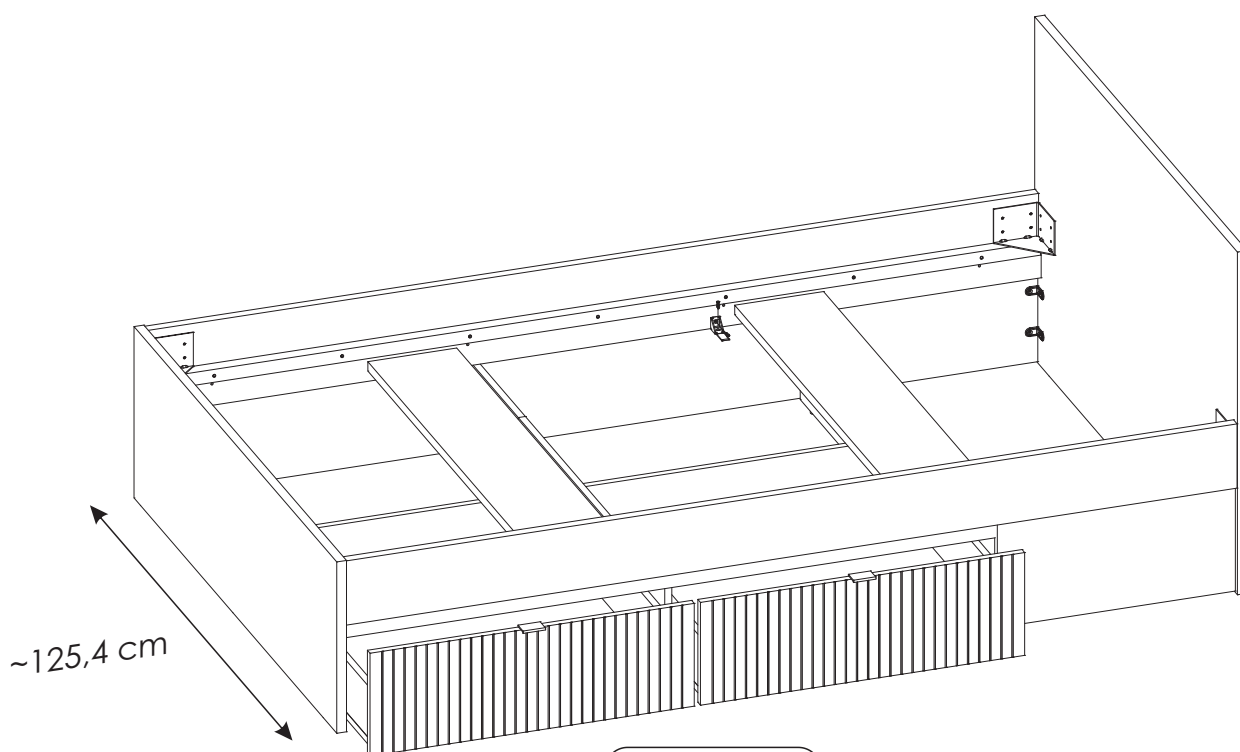


18▶



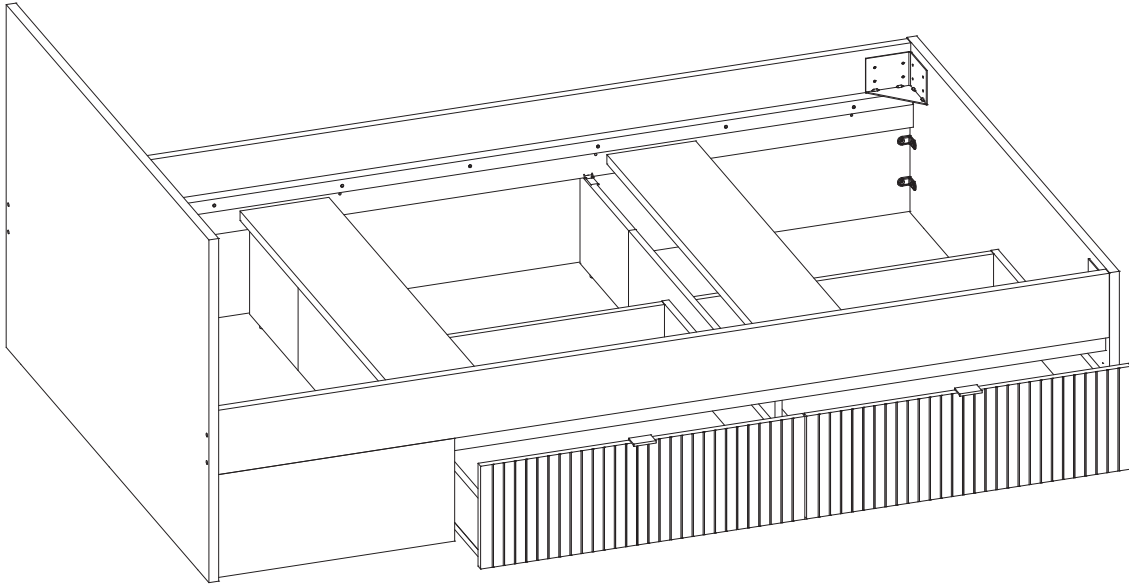


11-22



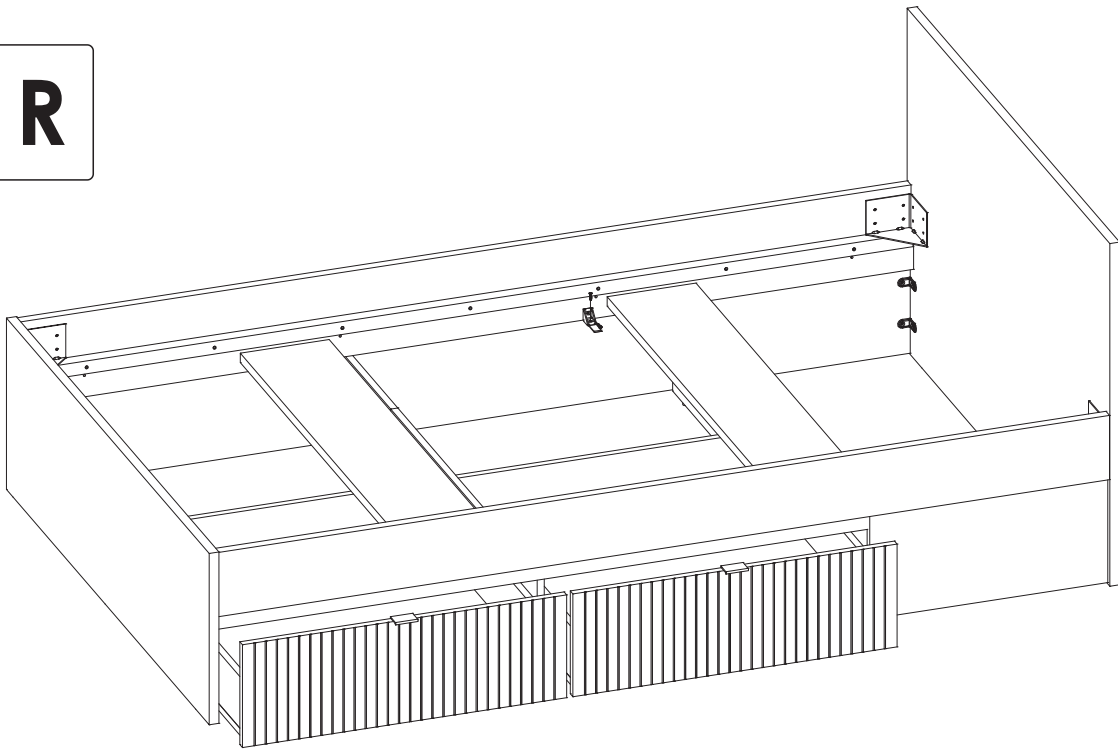
23-40

L



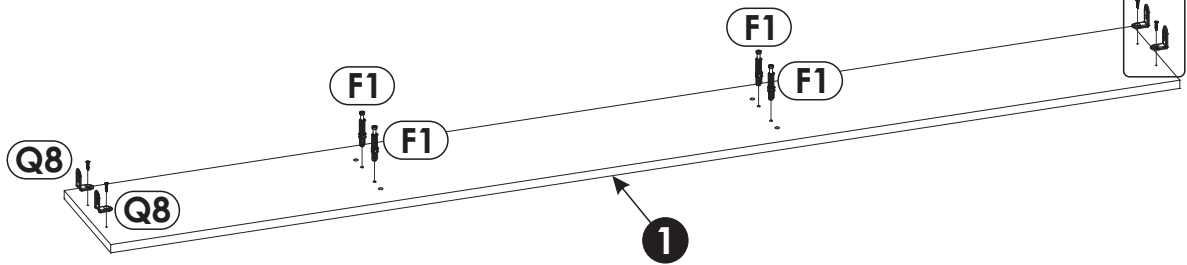
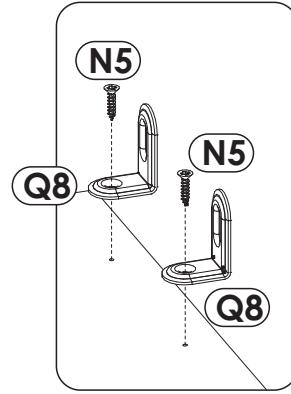
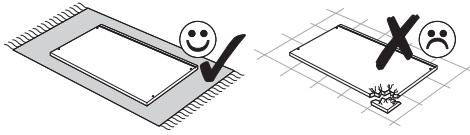
25-31

R

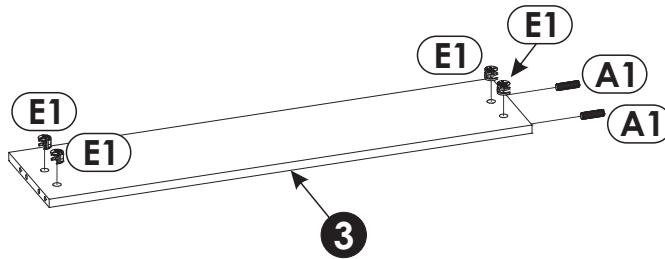
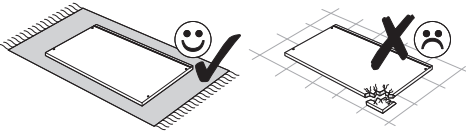


32-40

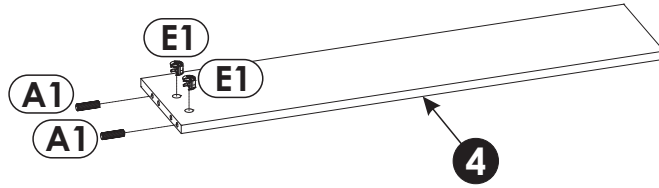
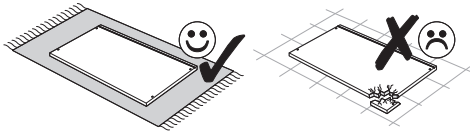
9 ▶



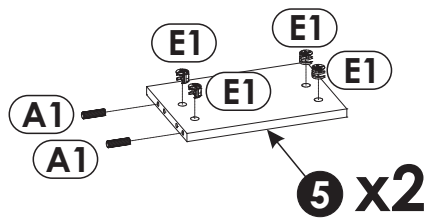
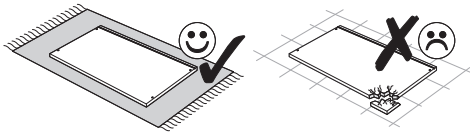
10 ▶



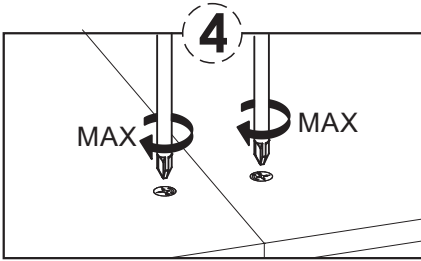
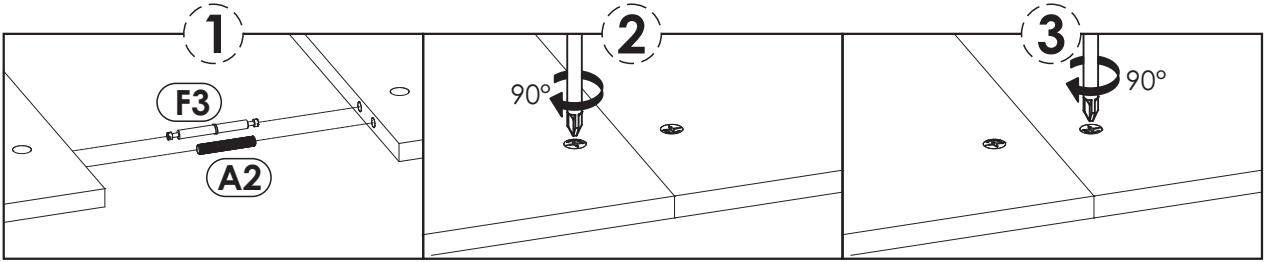
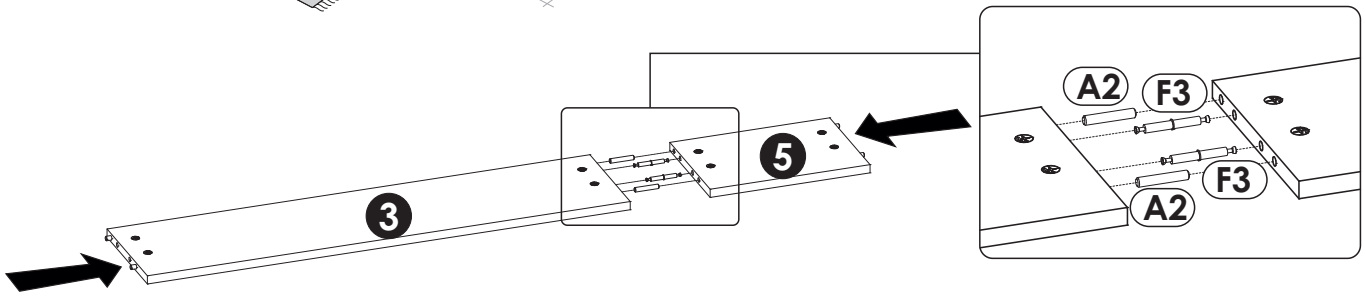
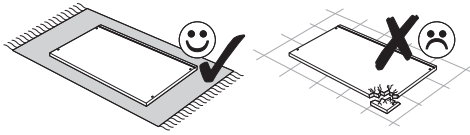
11▶



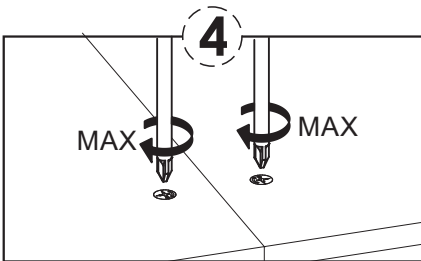
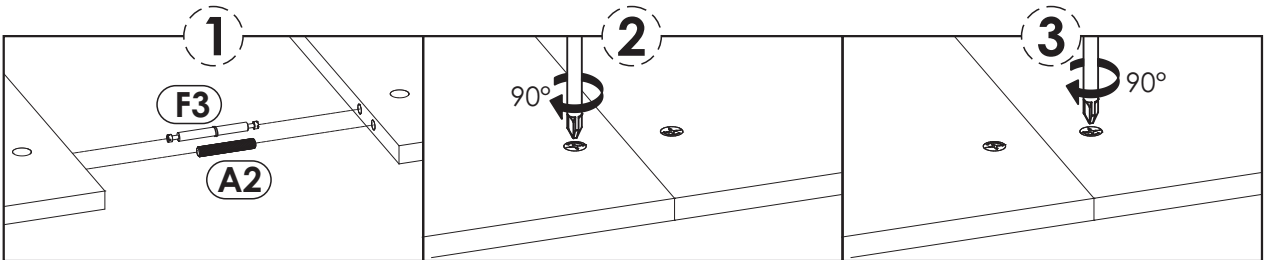
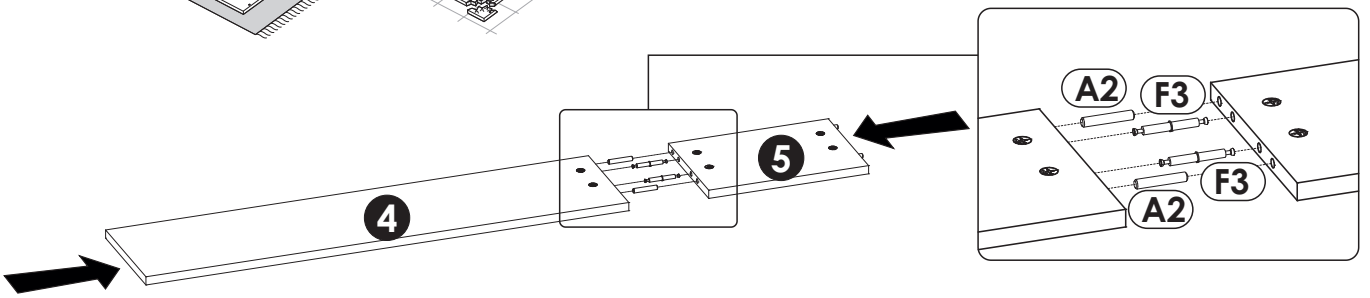
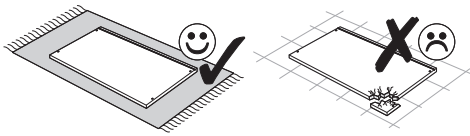
12▶



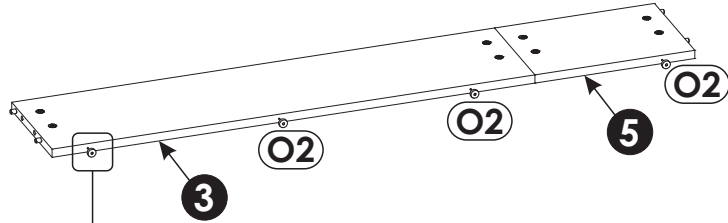
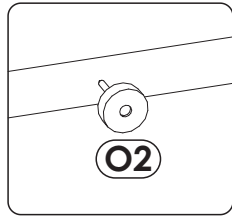
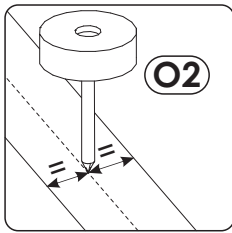
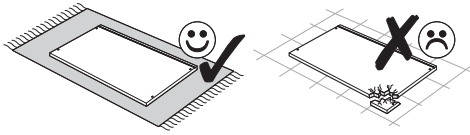
13▶



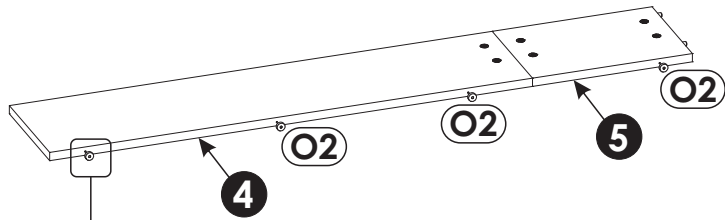
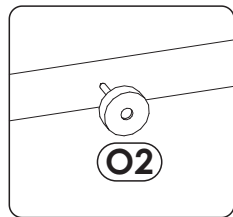
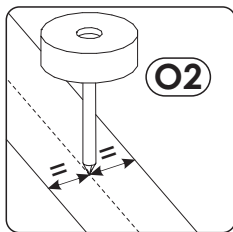
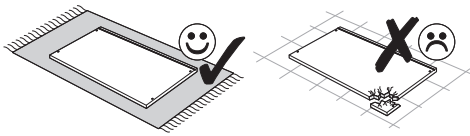
14▶



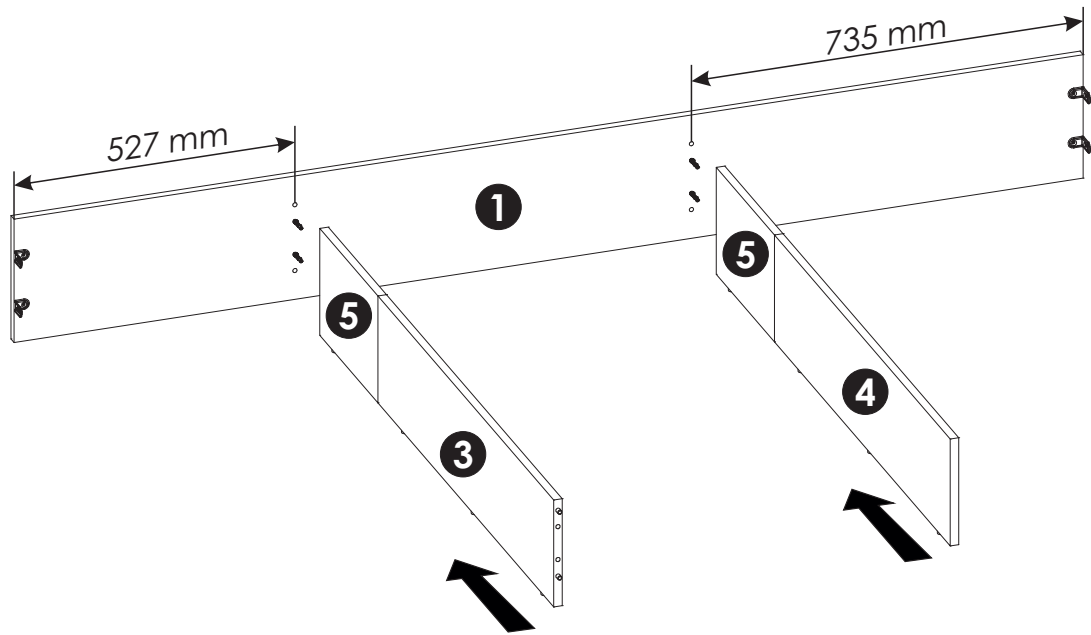
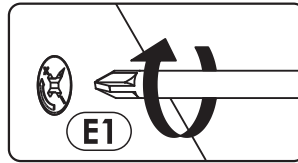
15 ▶



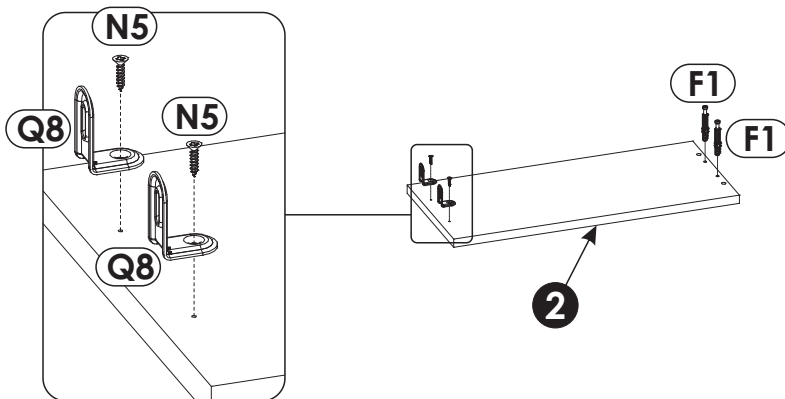
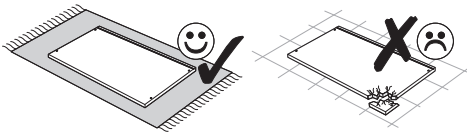
16 ▶



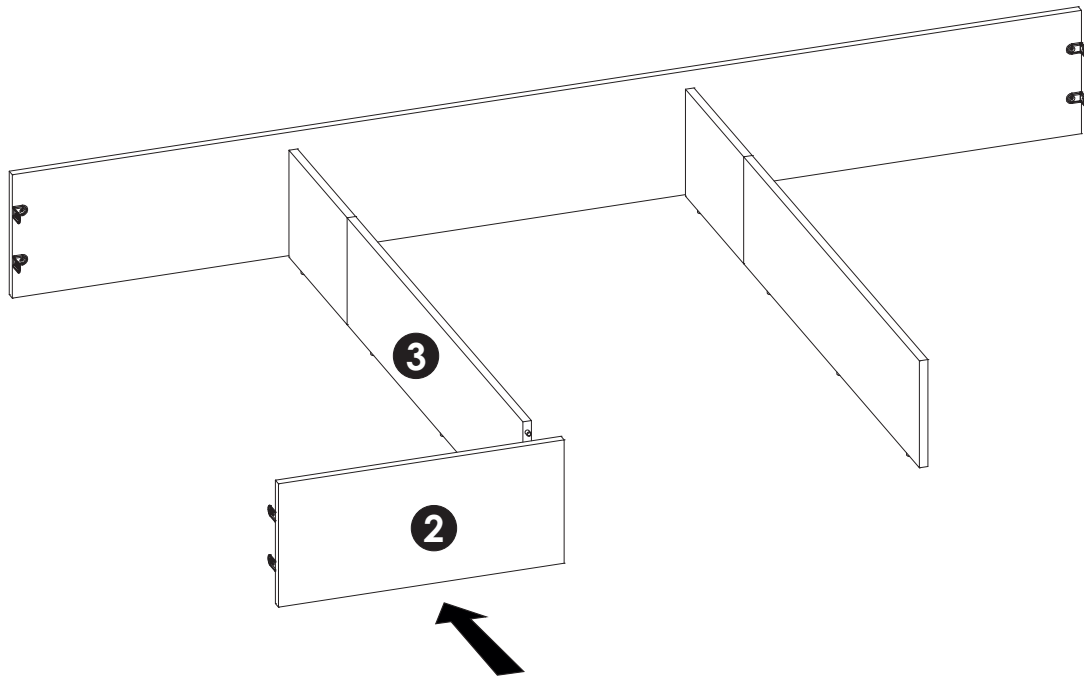
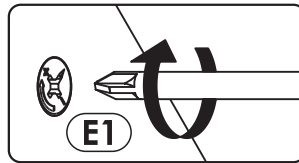
17▶



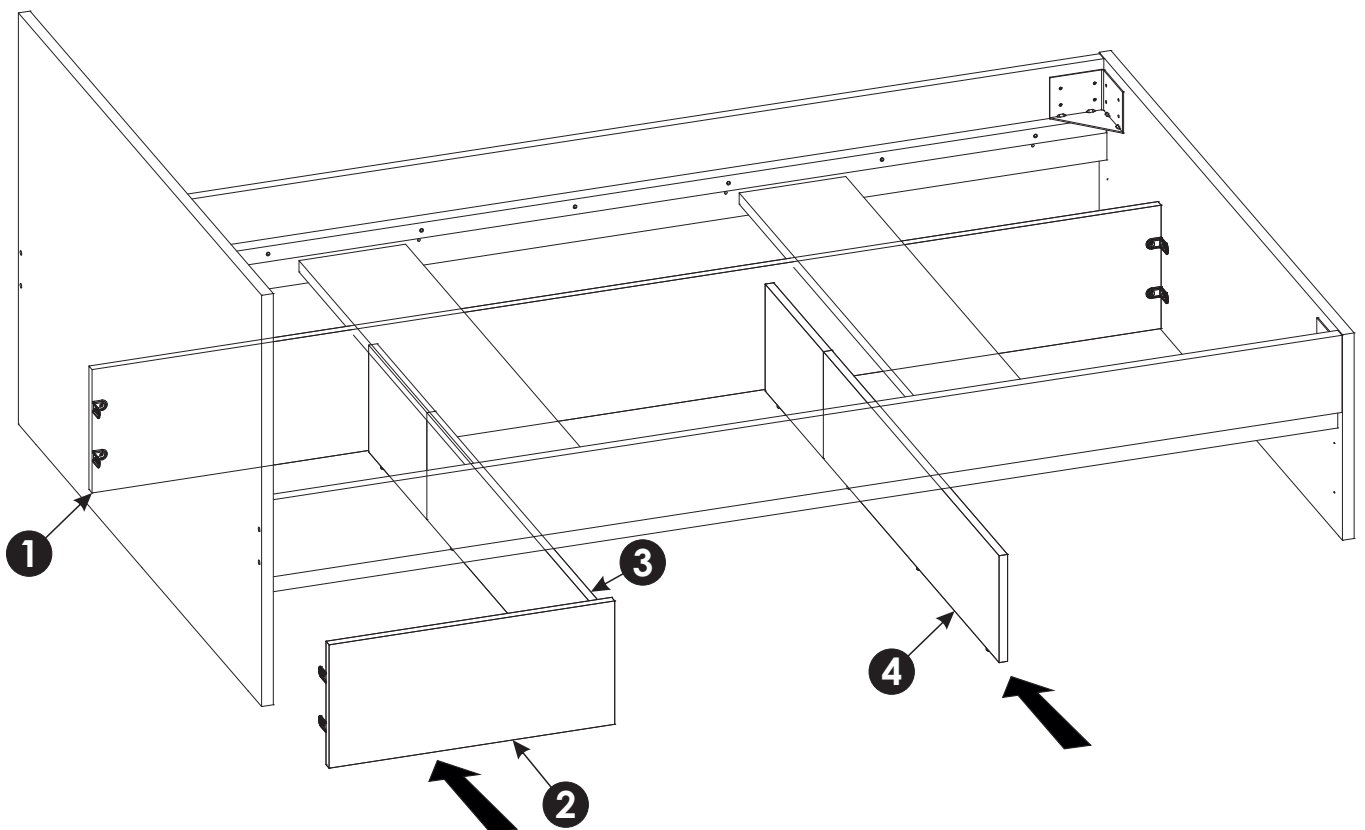
18▶



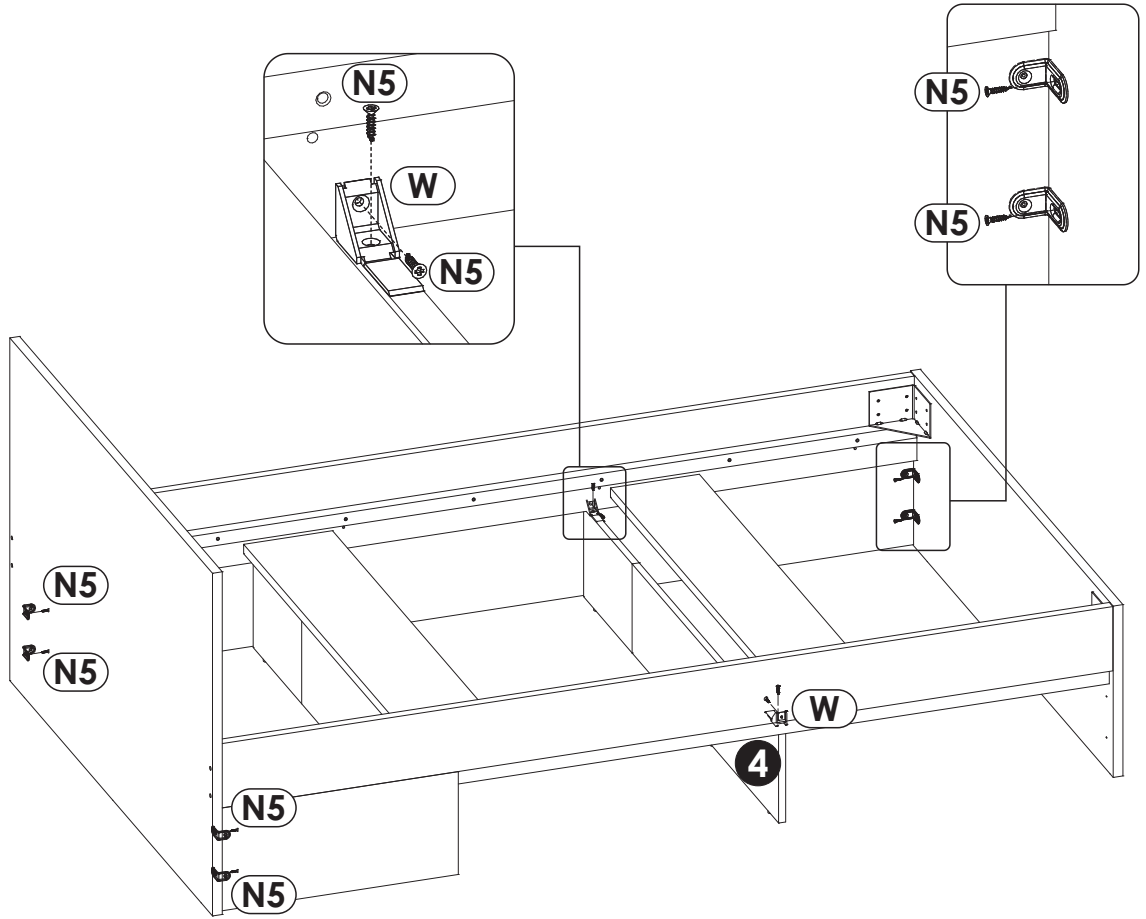
19▶



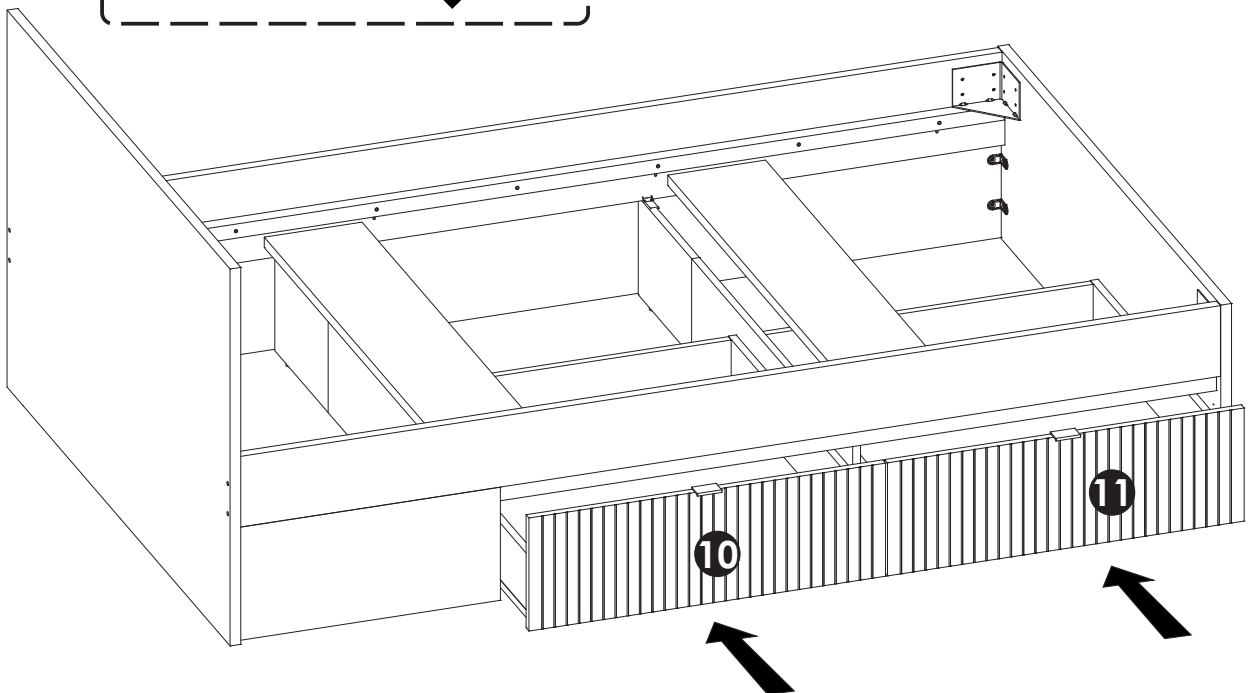
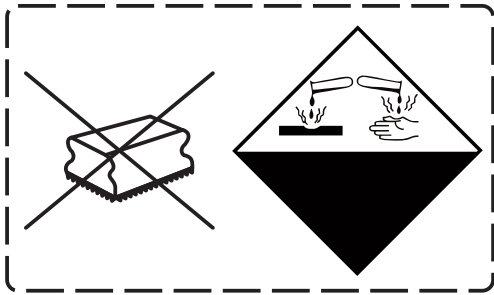
20▶



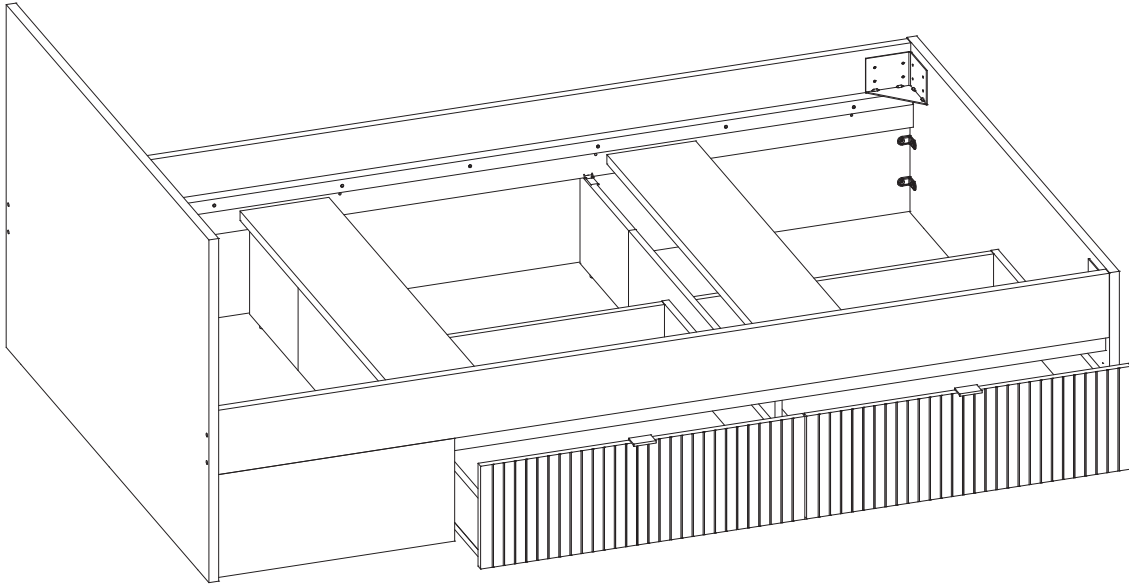
21 ▶



22 ▶

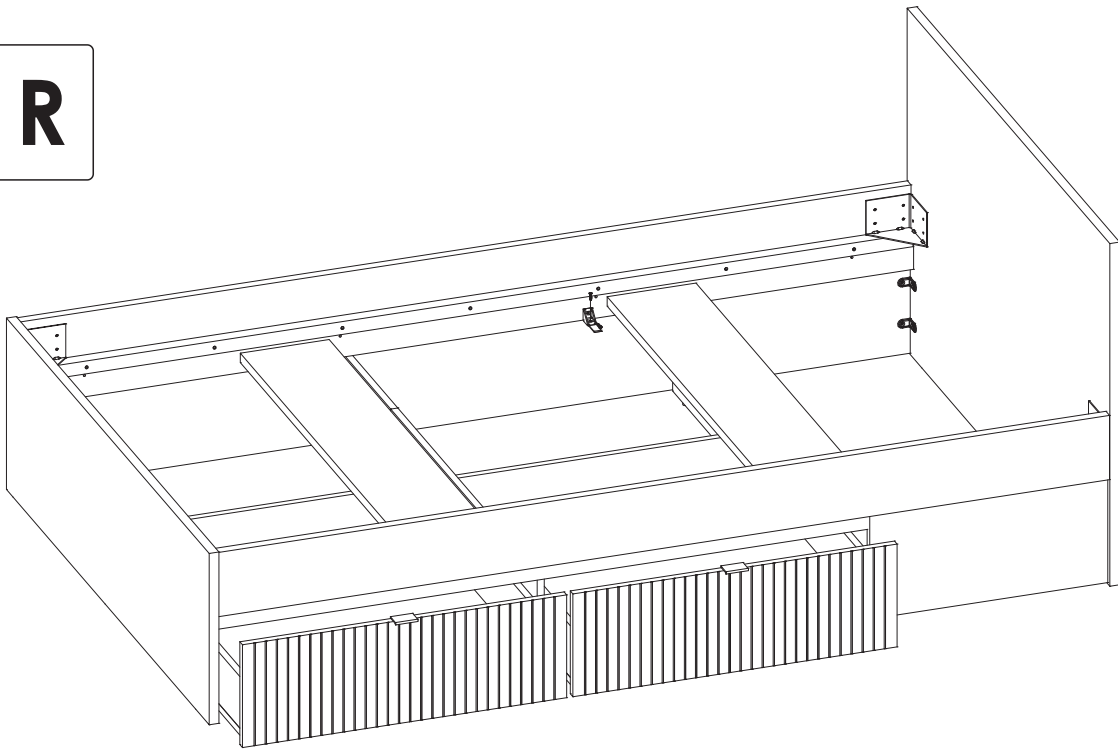


L



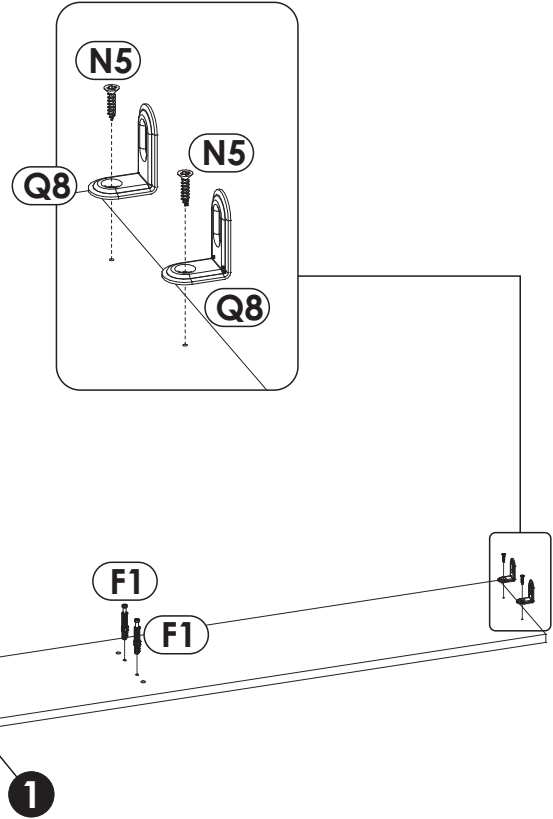
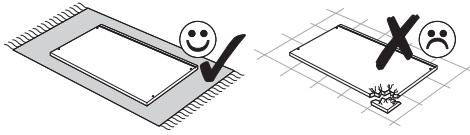
25-31

R

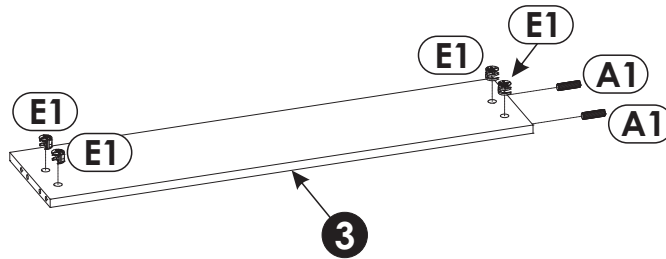
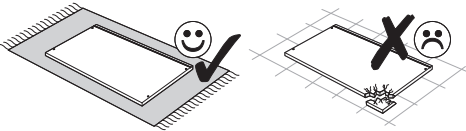


32-40

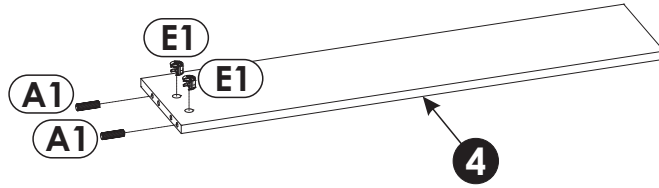
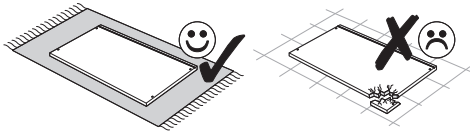
9 ▶



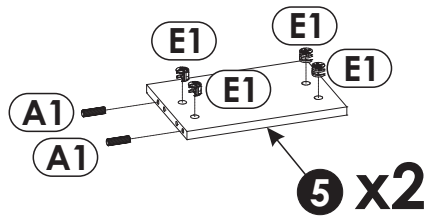
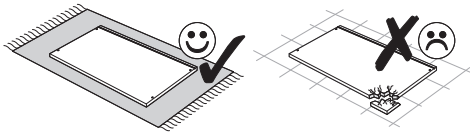
10 ▶



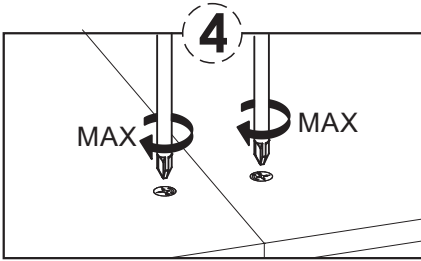
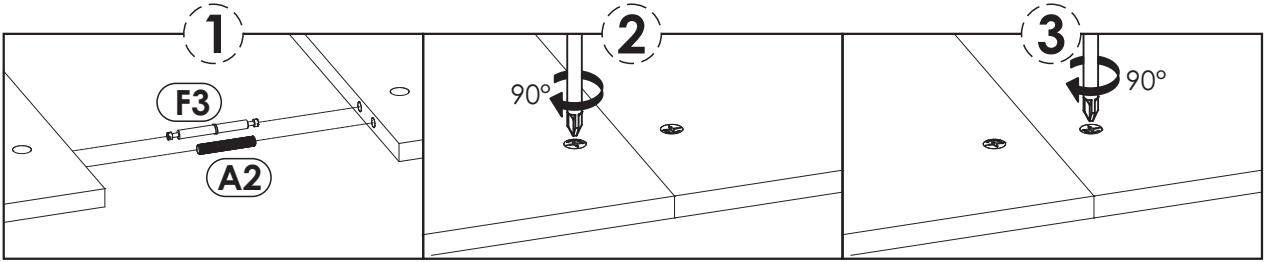
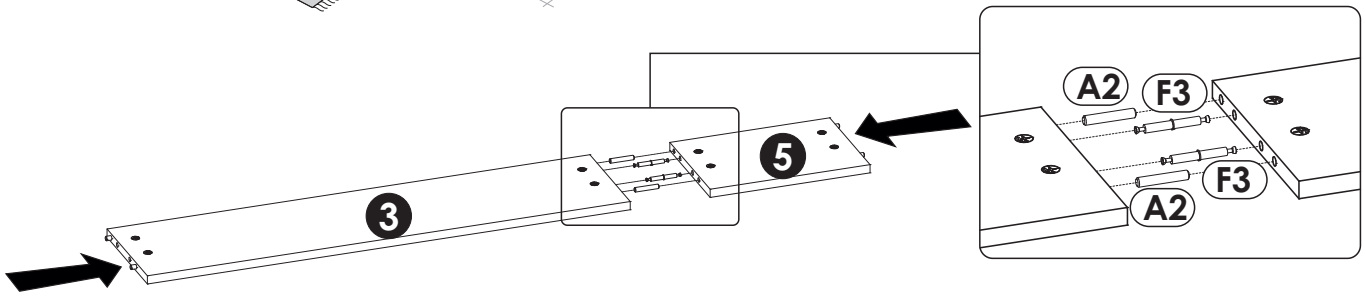
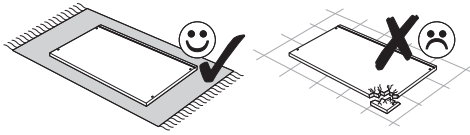
11 ▶



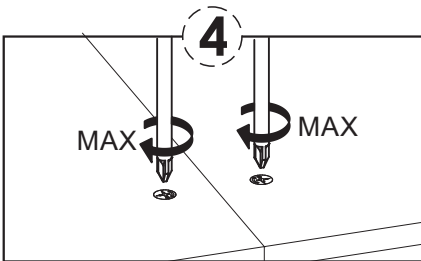
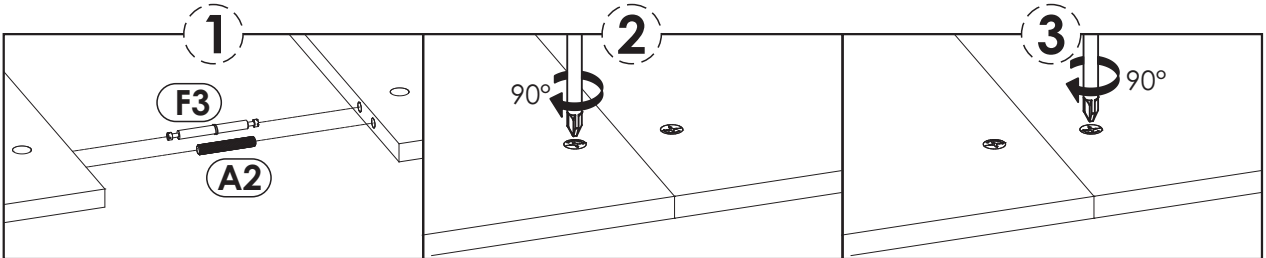
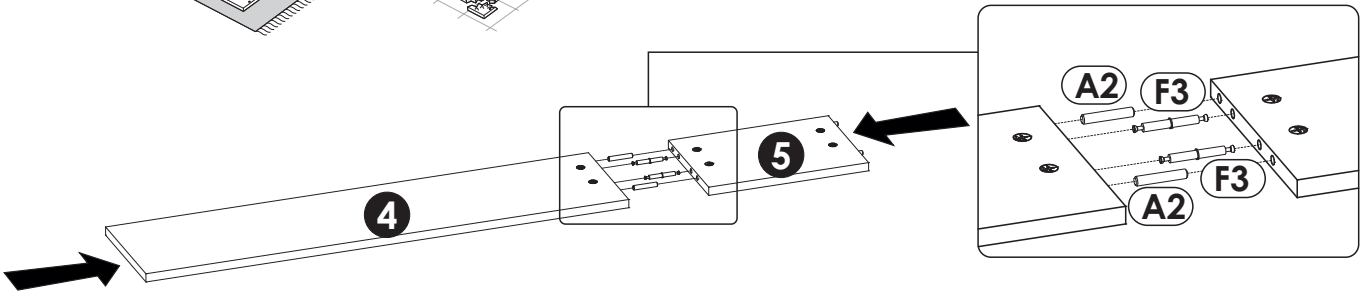
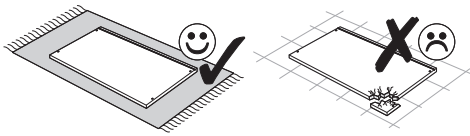
12 ▶



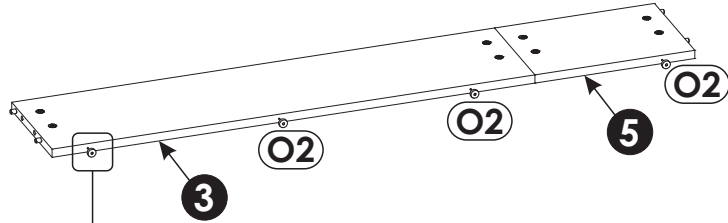
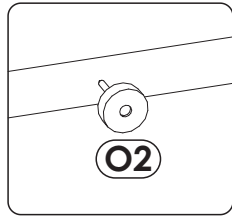
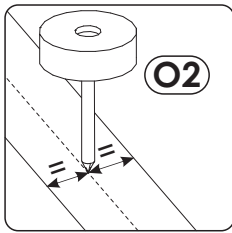
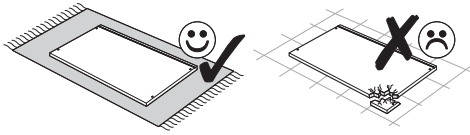
13▶



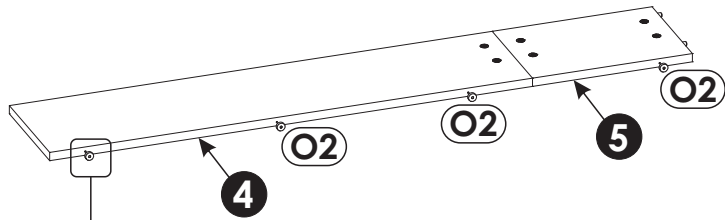
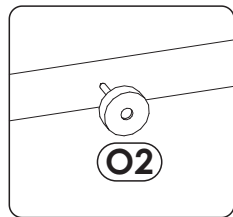
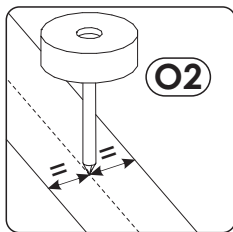
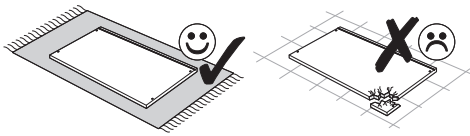
14▶



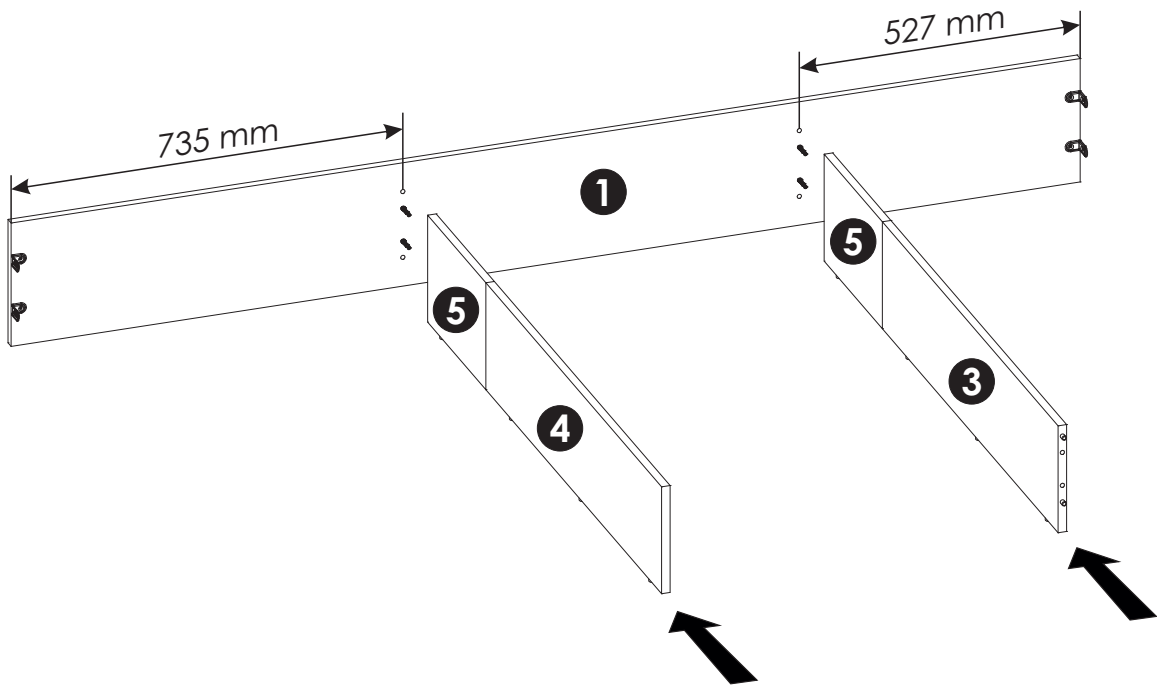
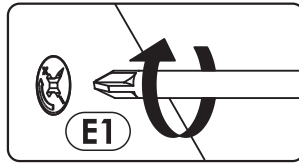
15▶



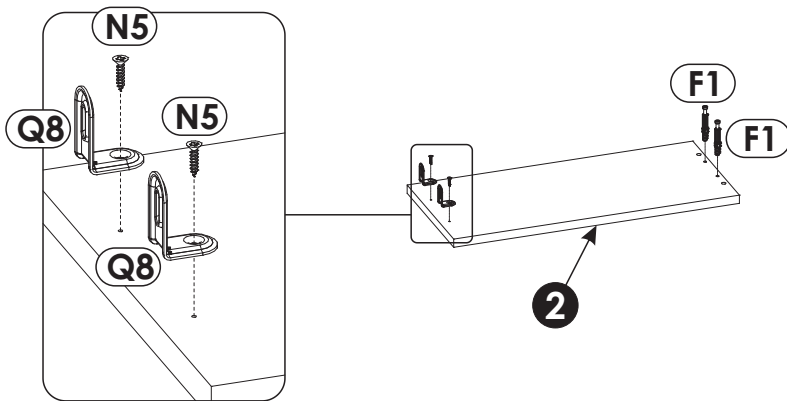
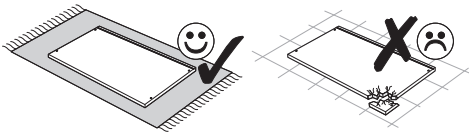
16▶



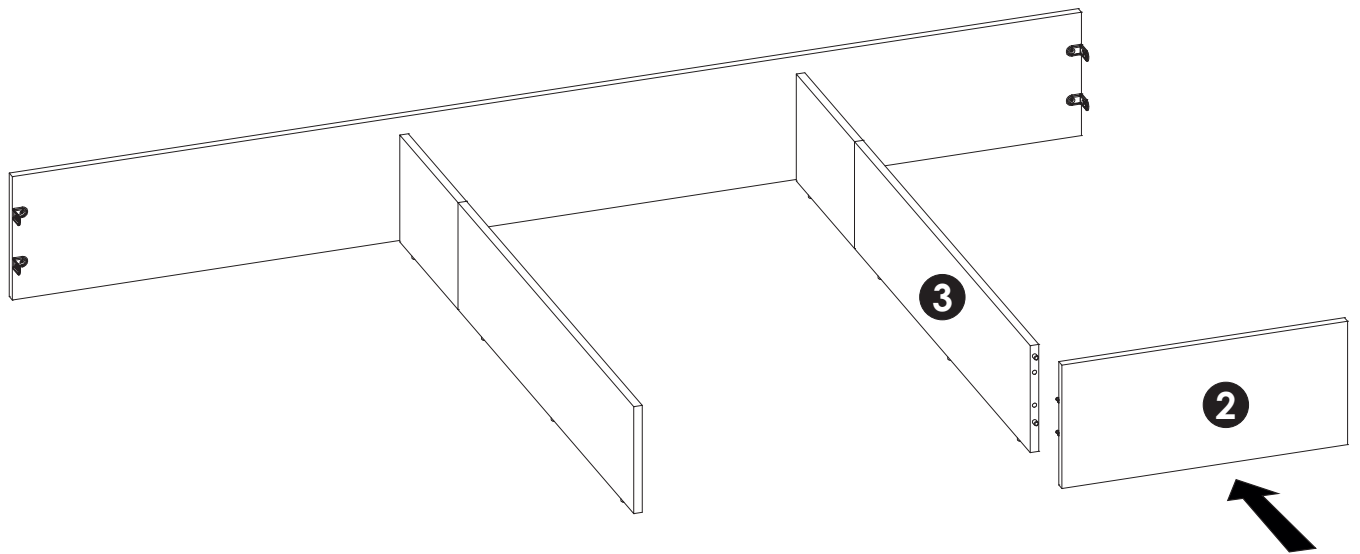
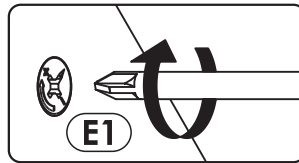
17▶



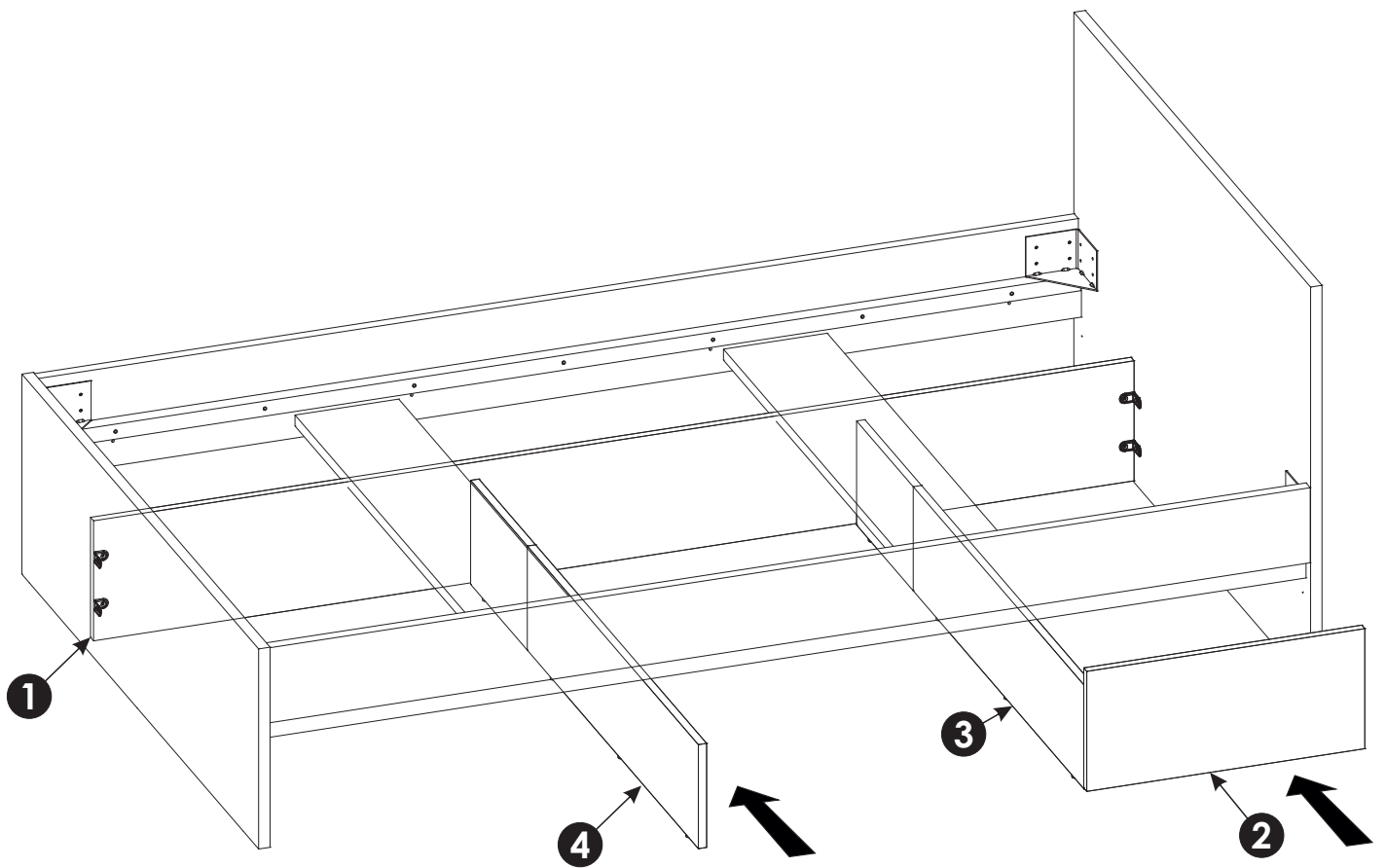
18▶



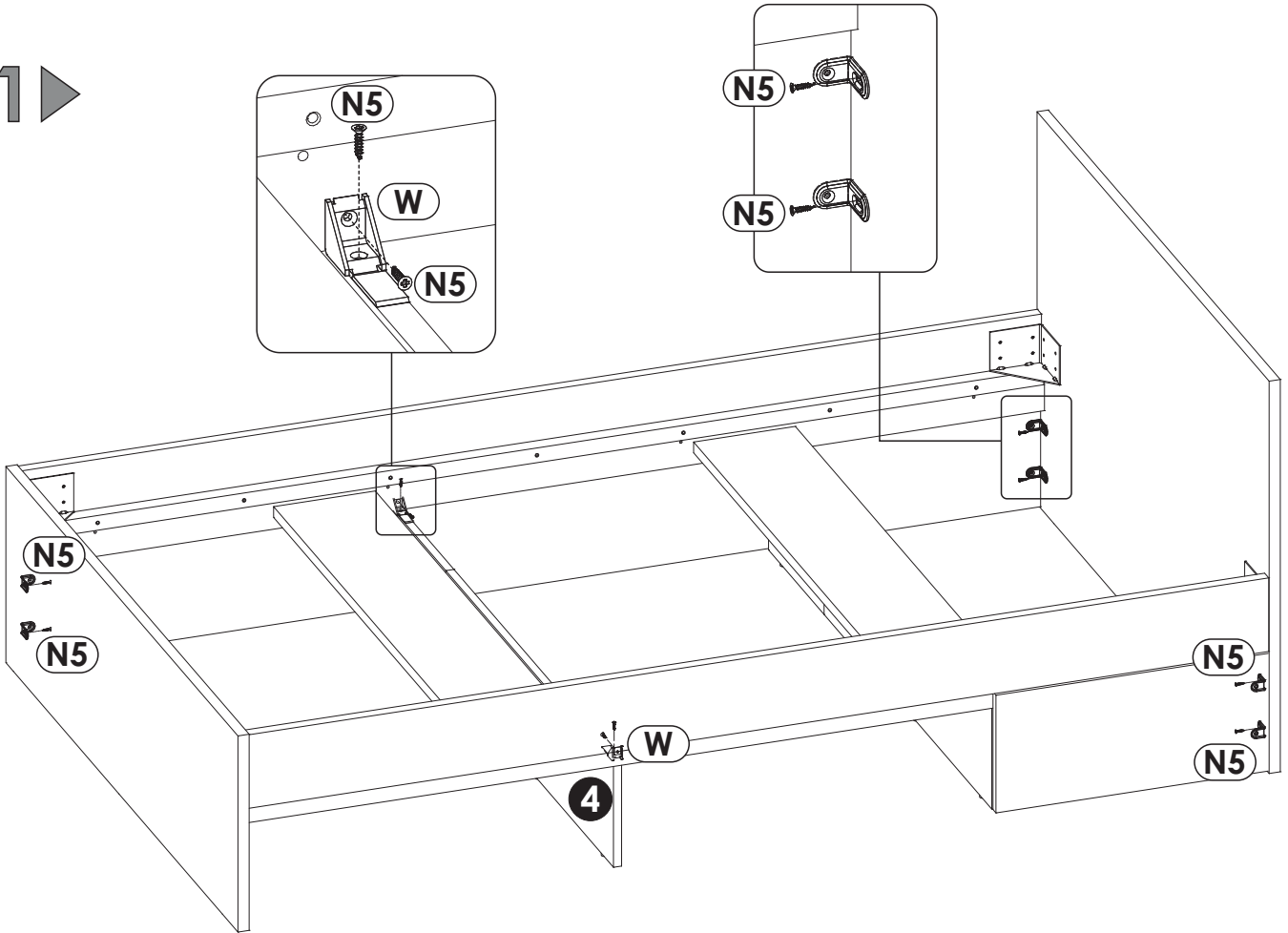
19▶



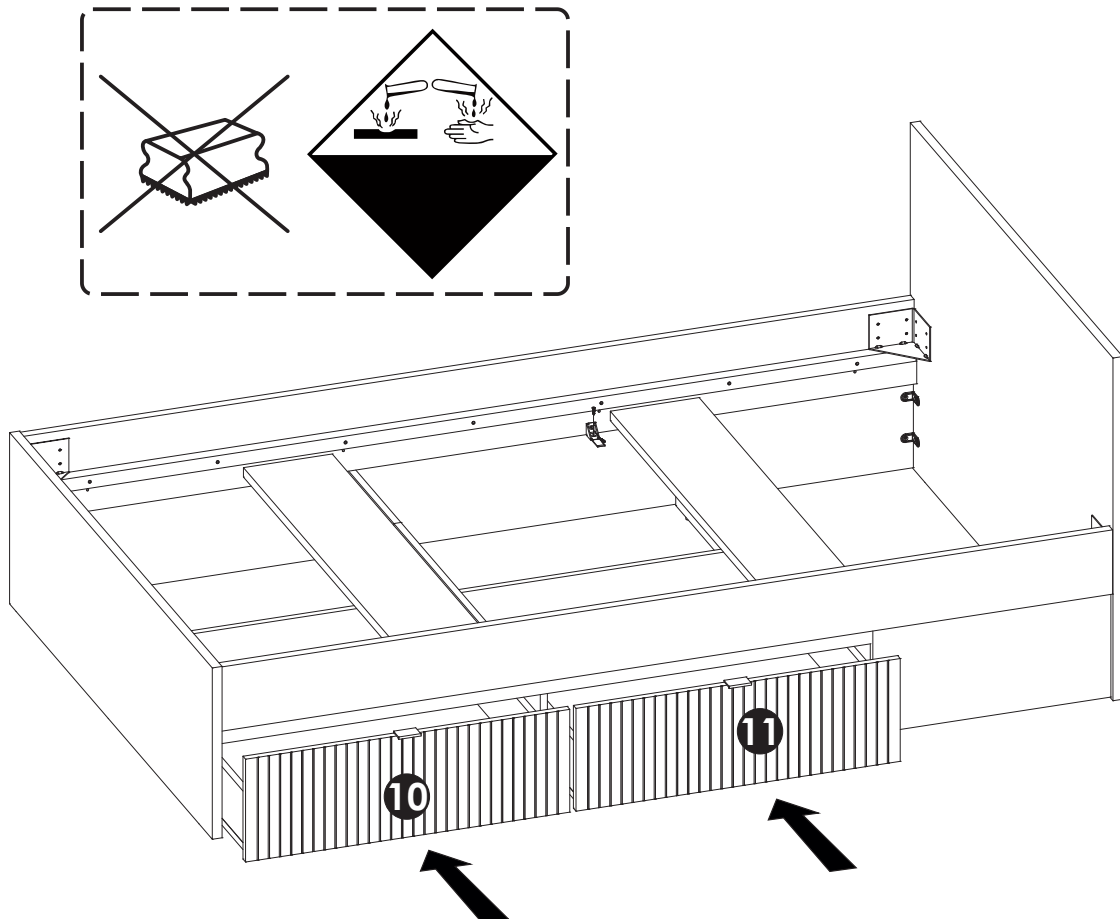
20▶

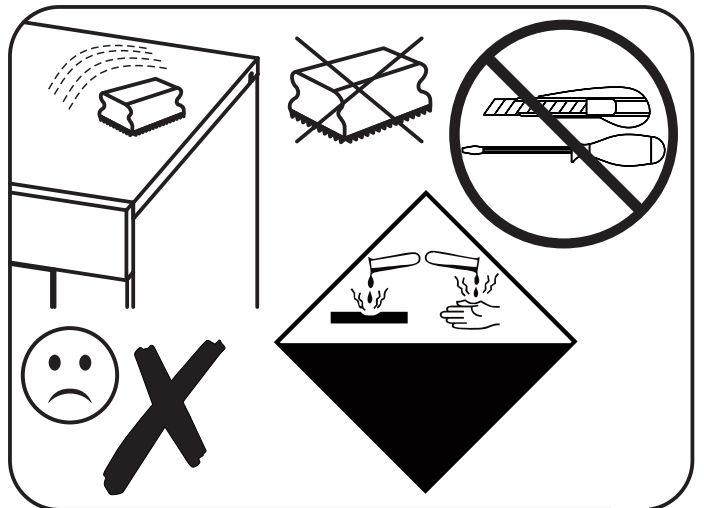
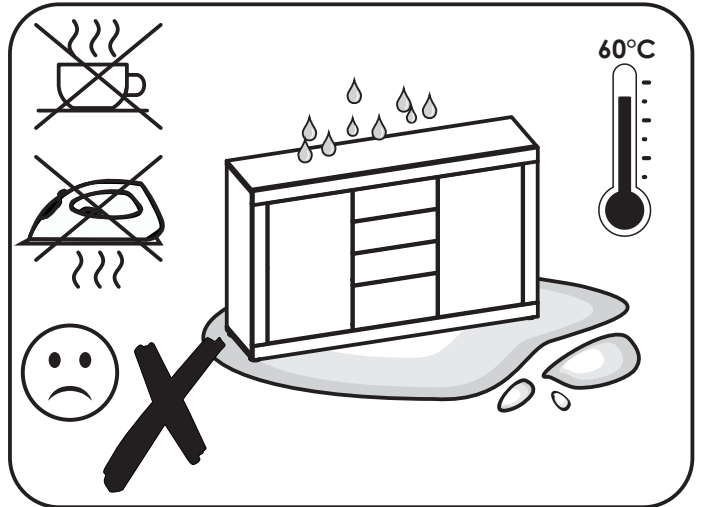
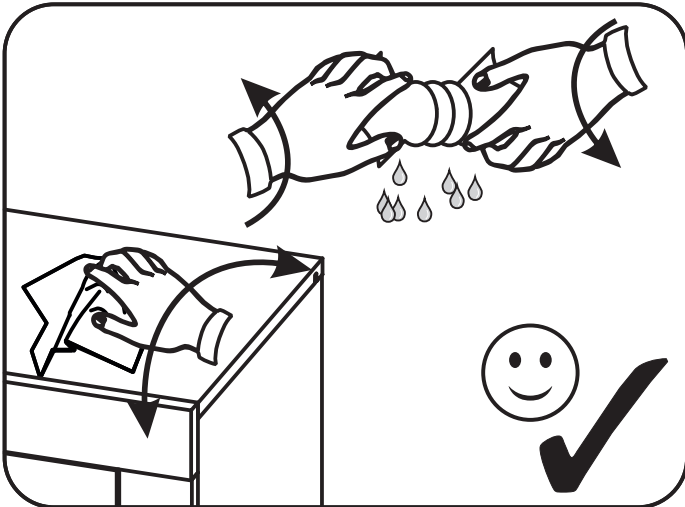
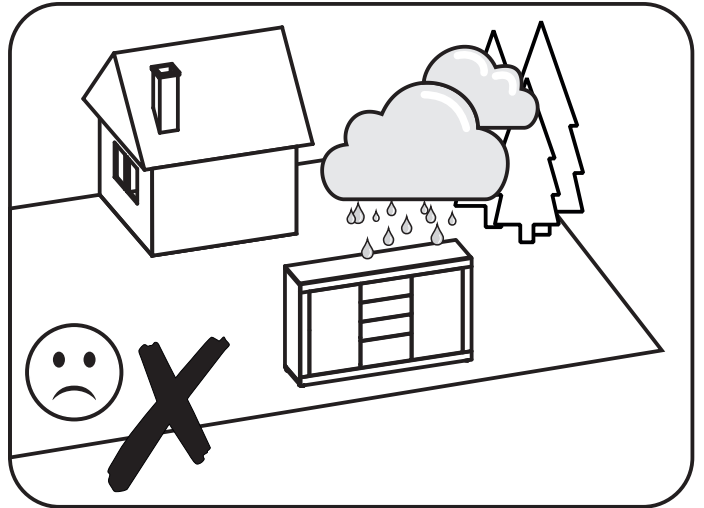
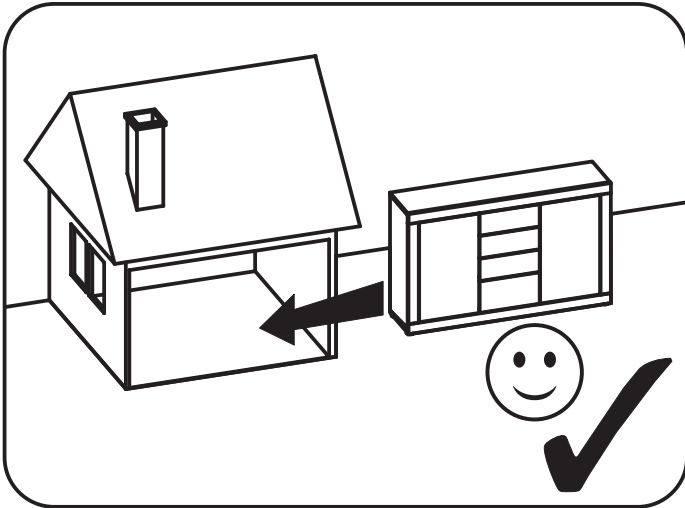


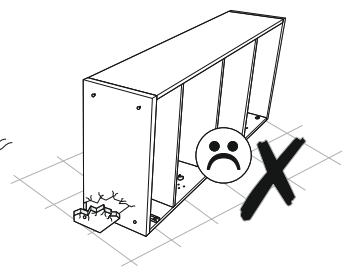
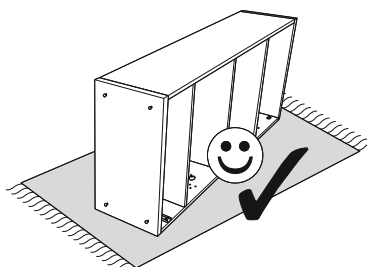
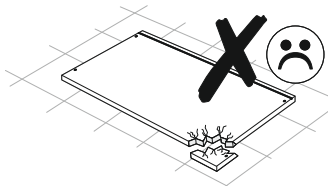
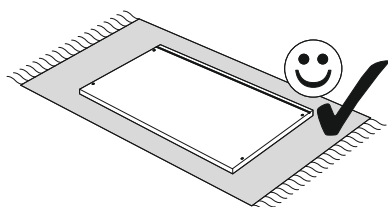
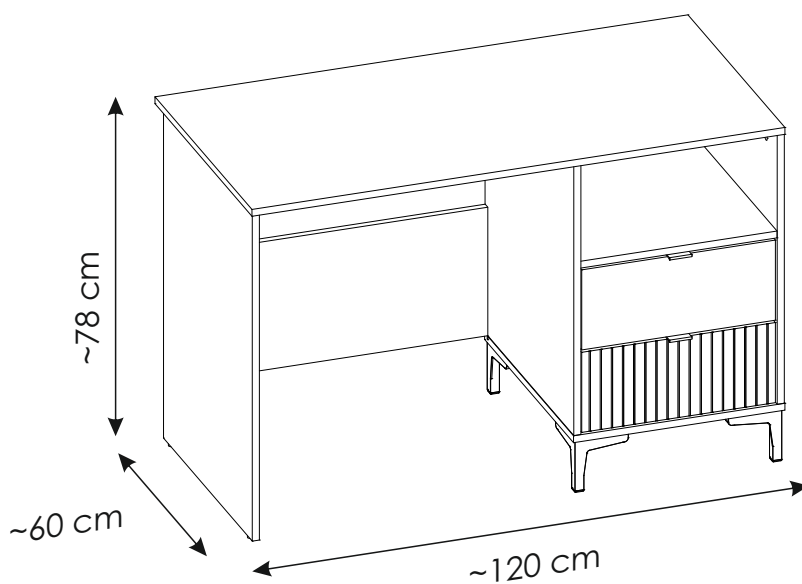
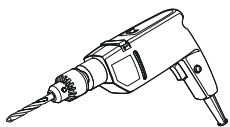
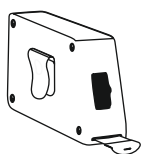
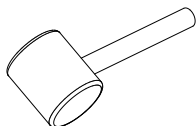
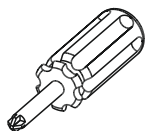
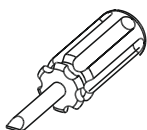
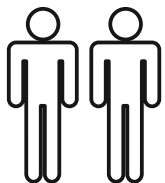
21 ▶

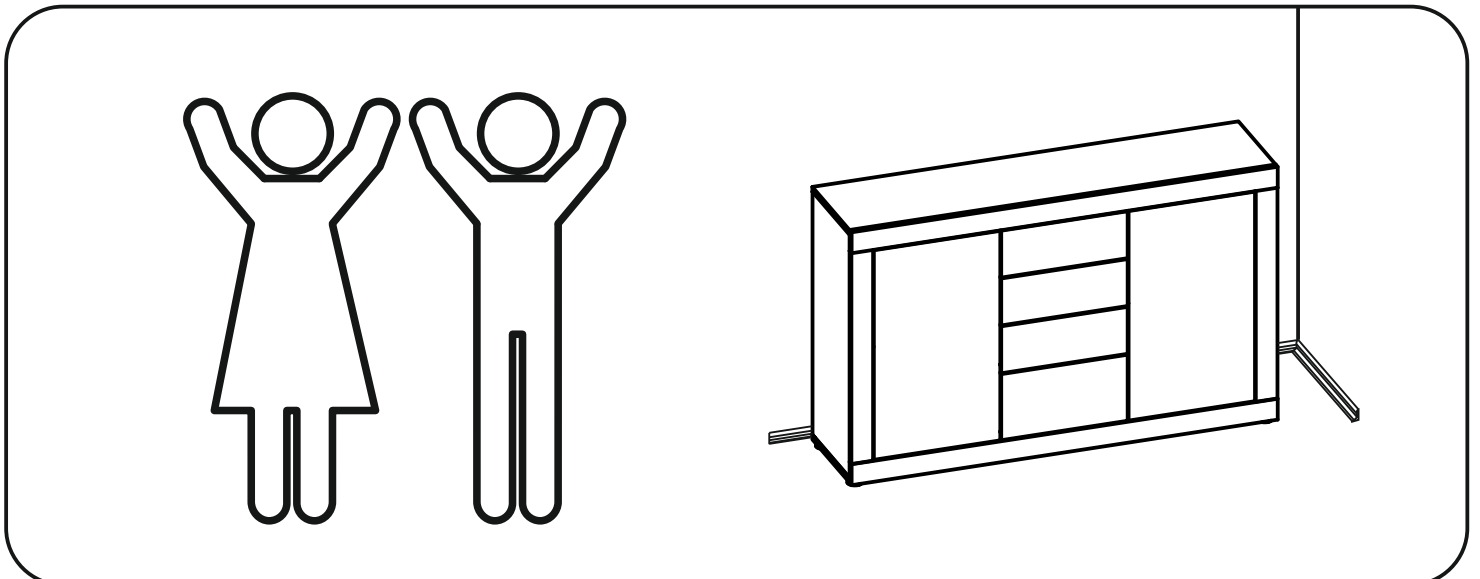
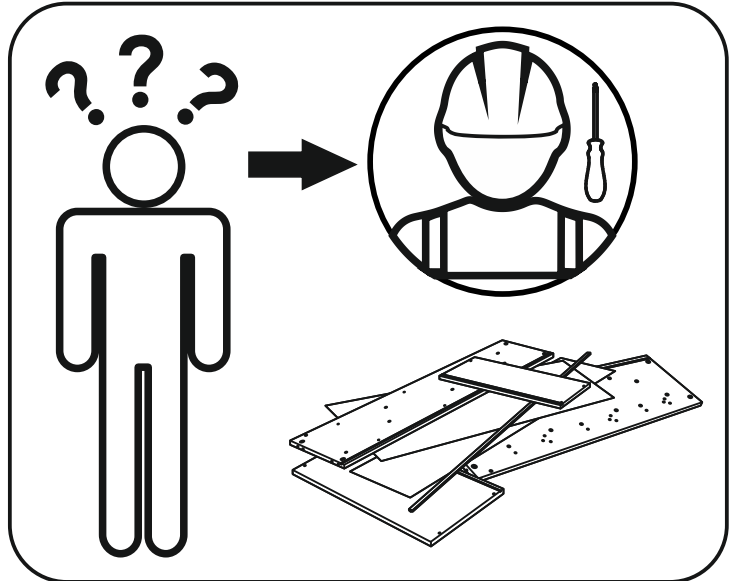
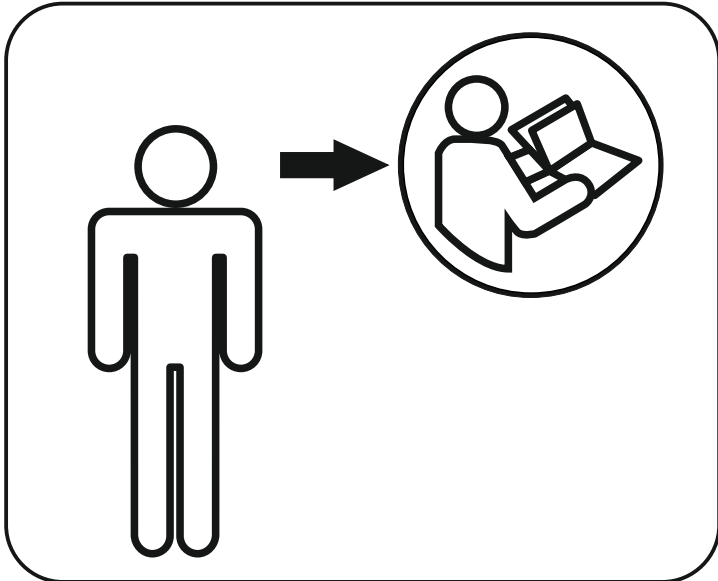
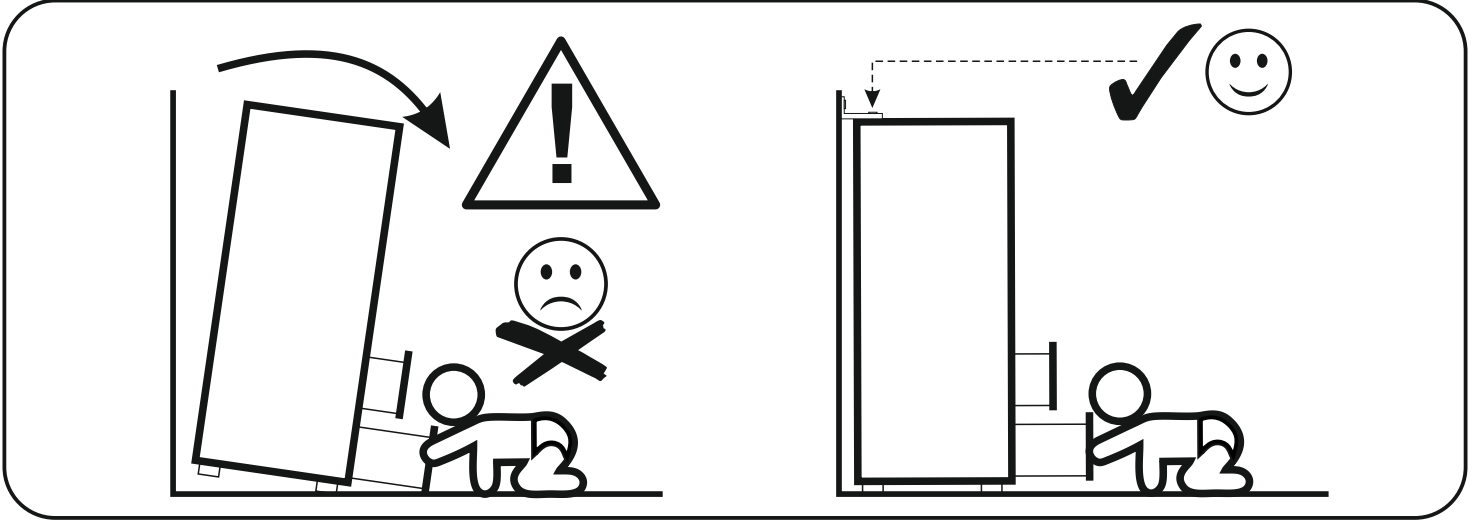
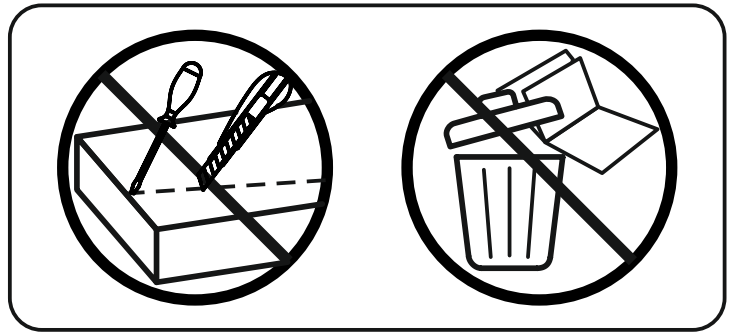
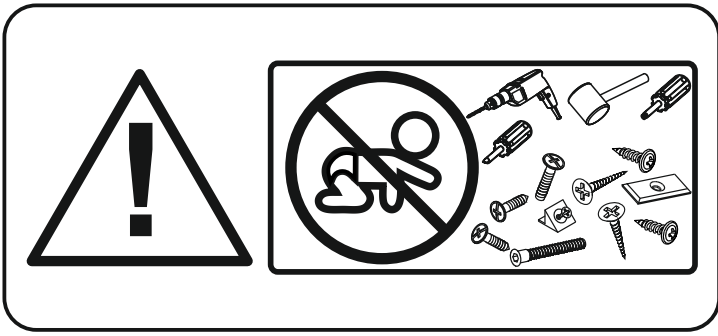


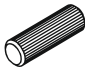
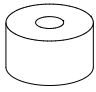
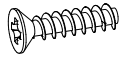
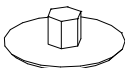

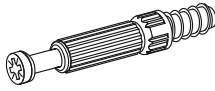
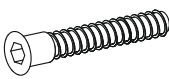
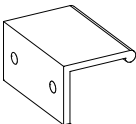
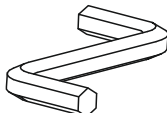




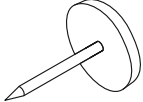
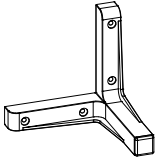
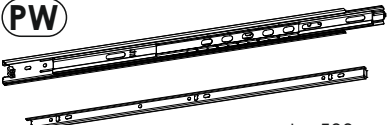
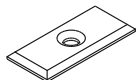
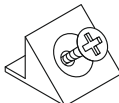
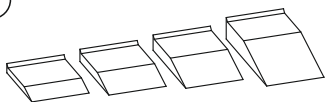
22 ▶

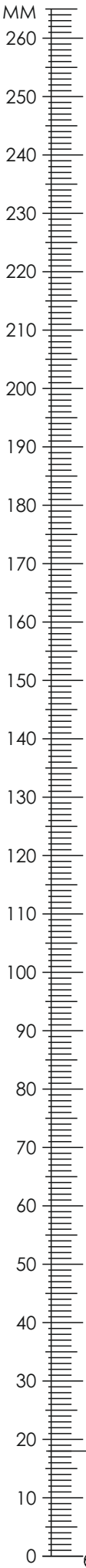


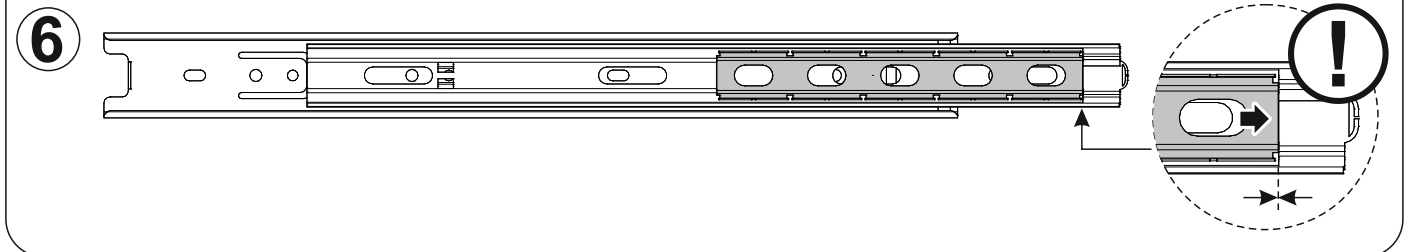
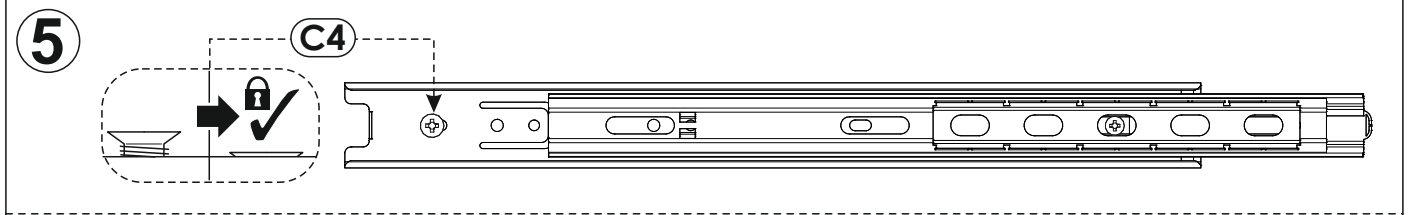
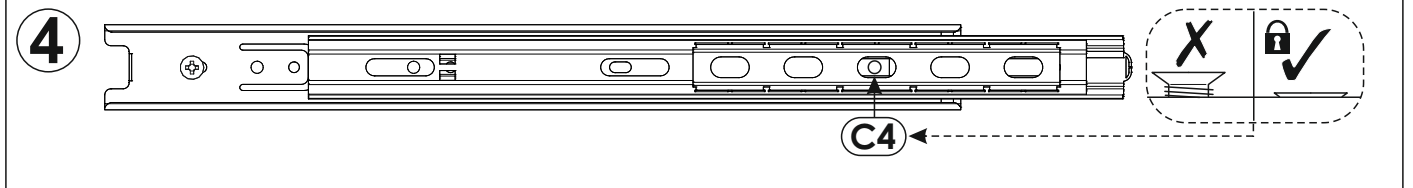
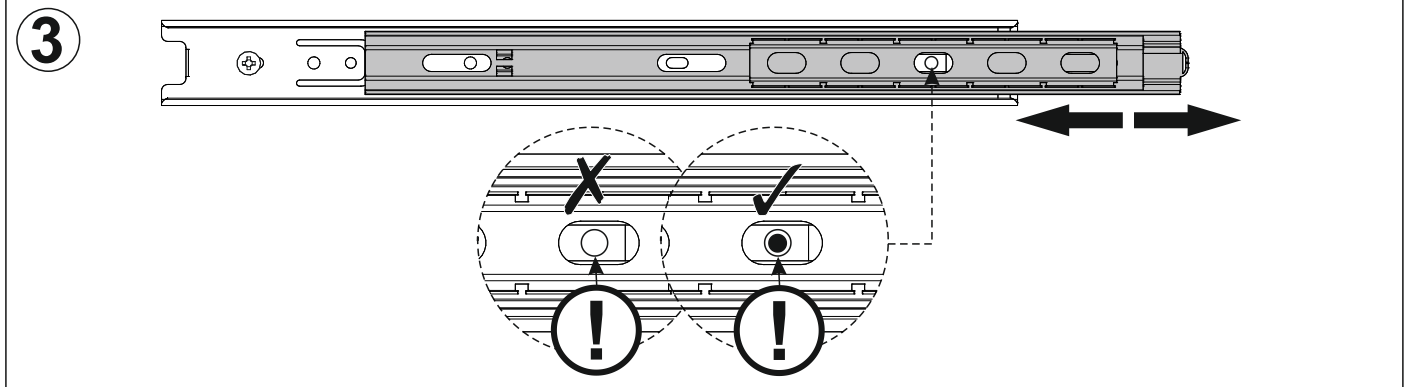
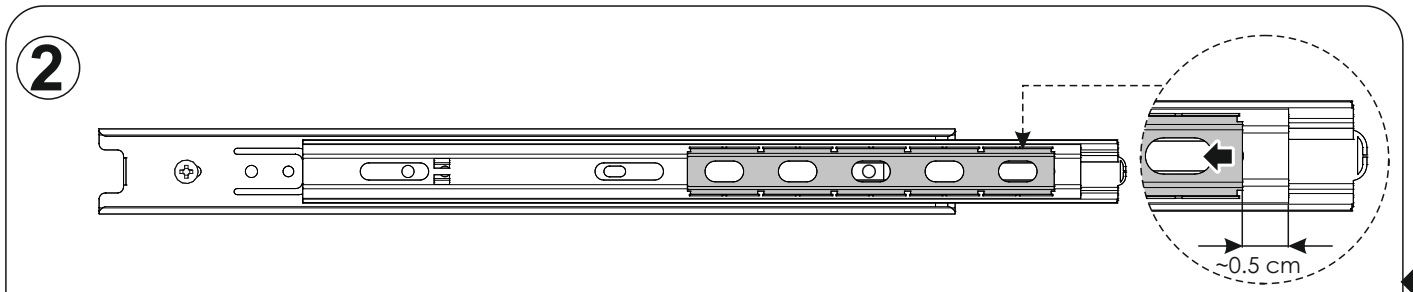
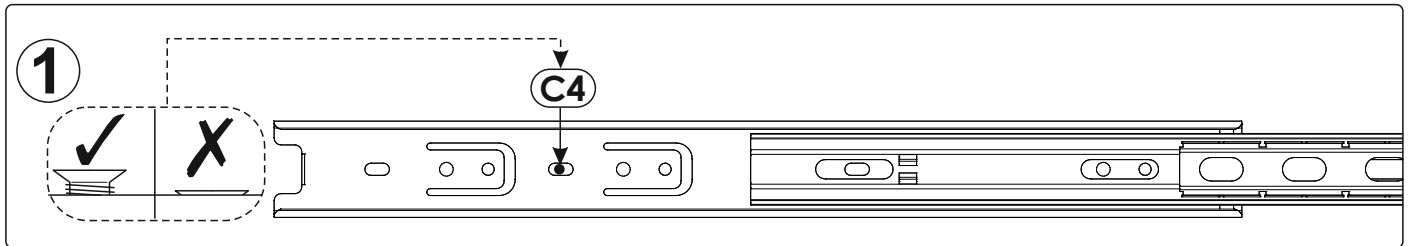
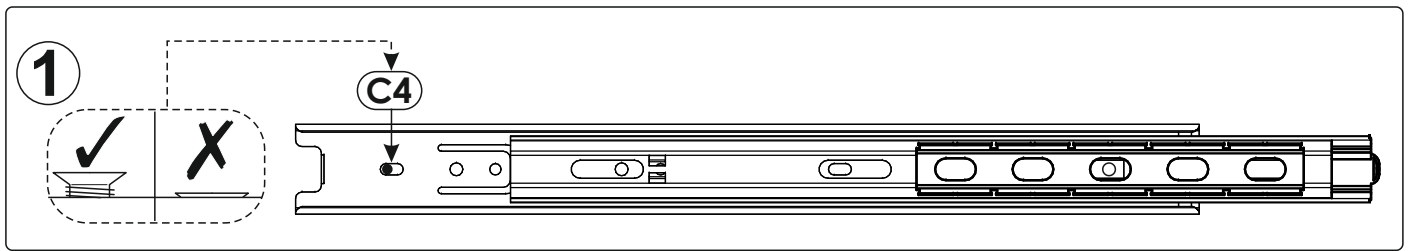


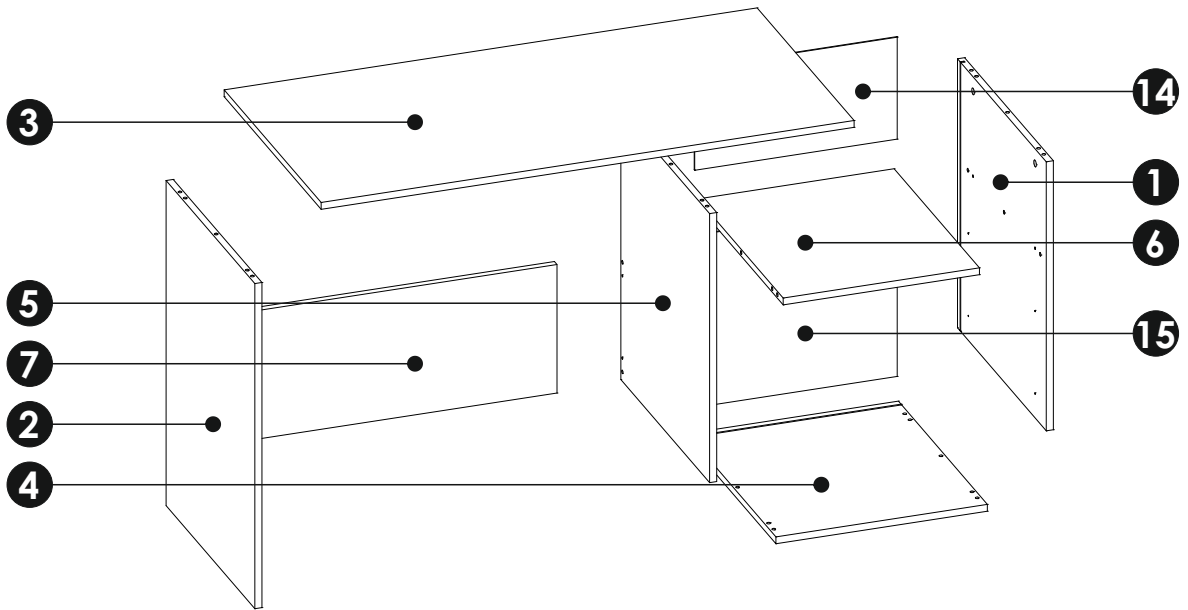
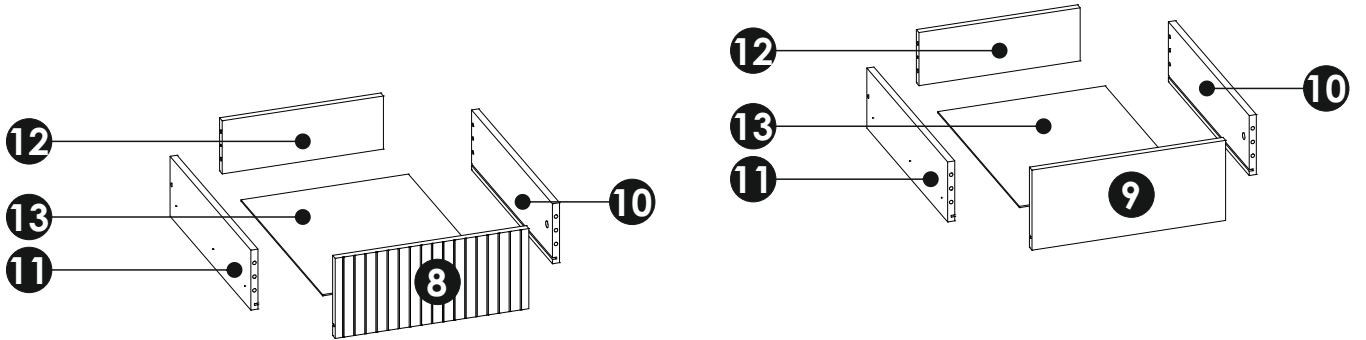
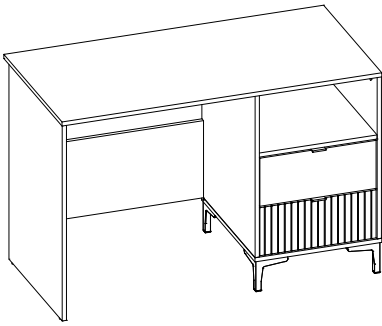




A1 8 x 35 mm x41 	BD  x8 H - 11 mm	C4 5 x 20 mm x8 
E0 $\varnothing 16$ x14 	E1 15 x 12 mm x18 	F1 6 x 34 mm x18 
G1 7 x 50 mm x8 	H1  x2 L - 50 mm	M  x1
N1 3 x 16 mm x15 	N4 3,5 x 13 mm x4 	N5 3,5 x 16 mm x12 
N7 3,5 x 30 mm x16 	O2  x2	O12  x4
PW  x4 L - 500 mm	R1  x3	R4  x8
Z  x1		

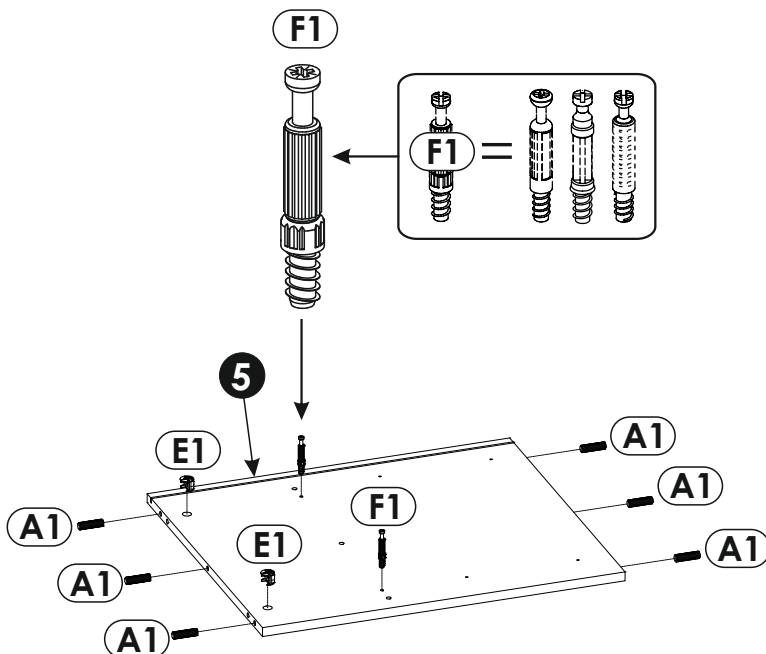
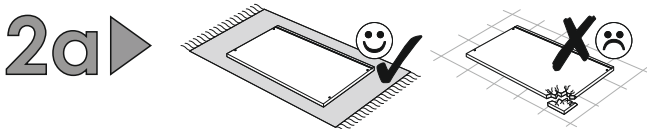
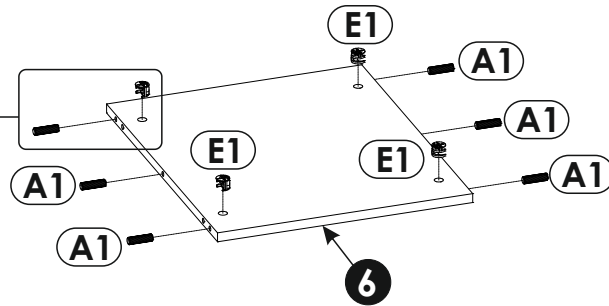
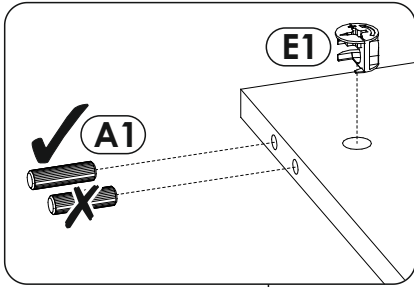
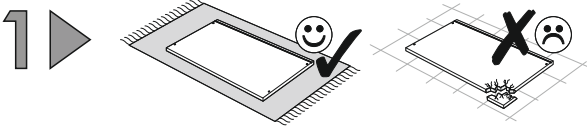
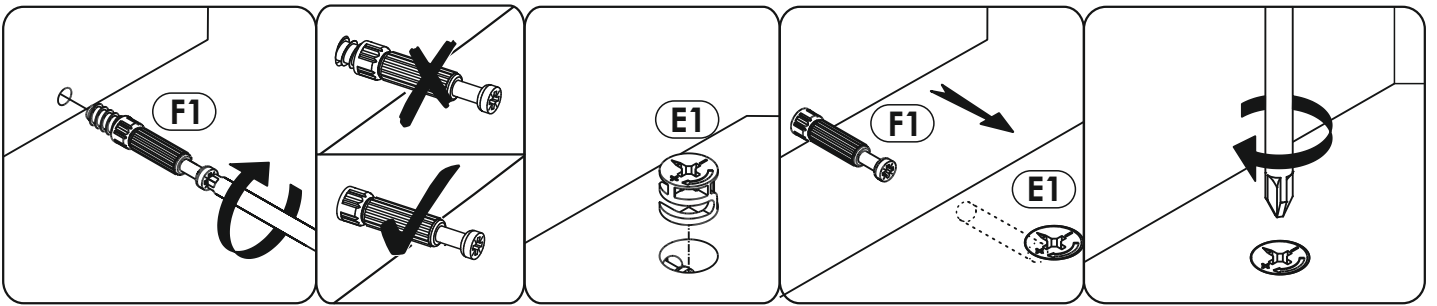


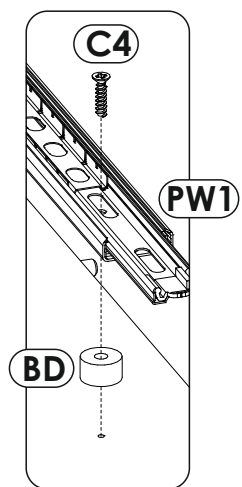
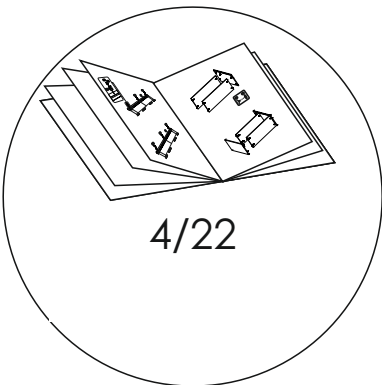
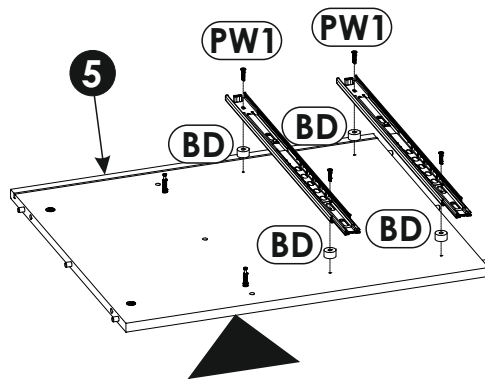
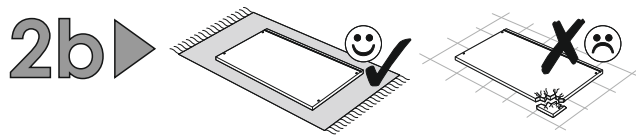
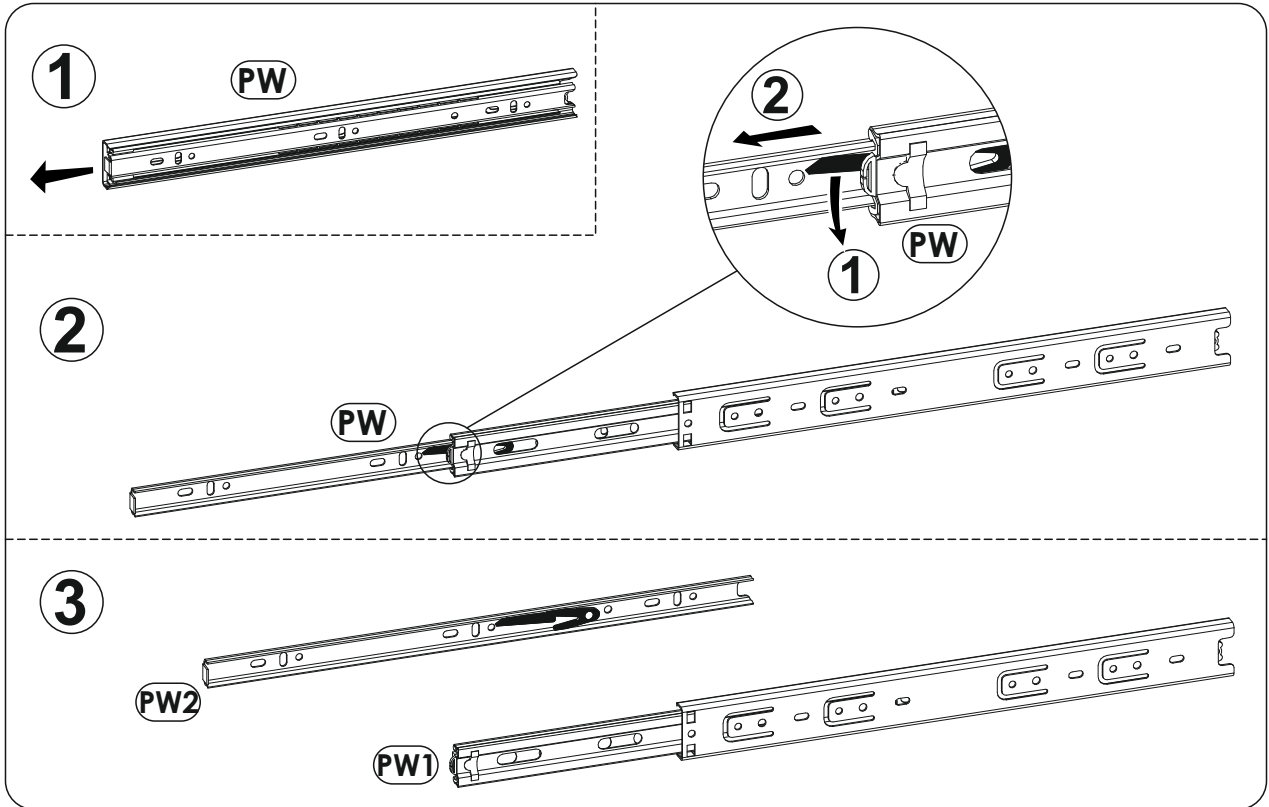


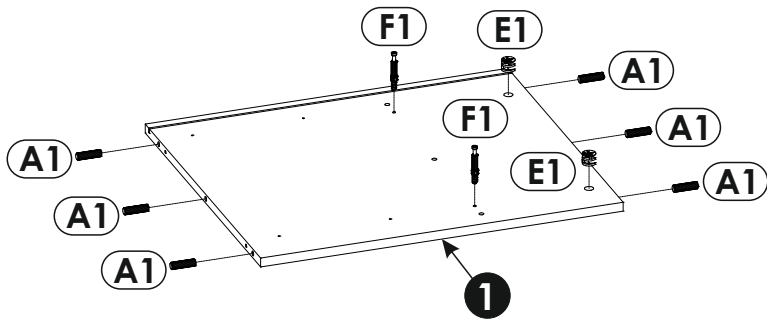
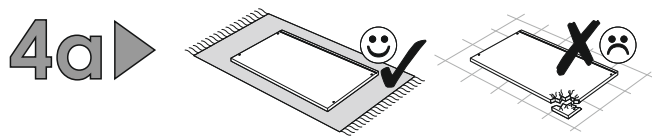
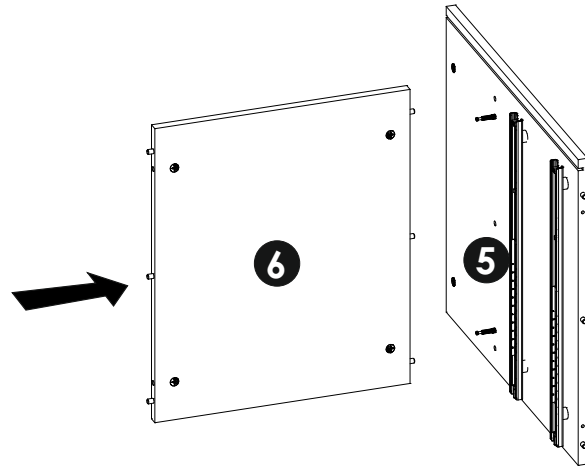
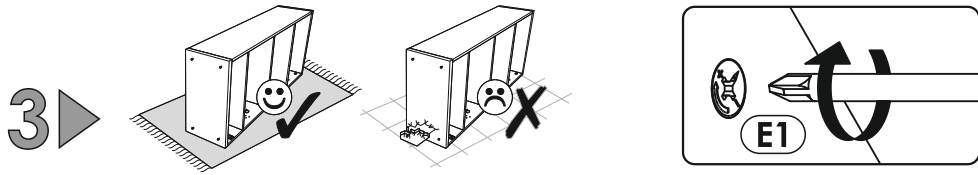


1	628	549	16	x1	2/2
2	759	549	16	x1	1/2
3	1200	600	16	x1	2/2
4	476	550	16	x1	1/2
5	628	549	16	x1	1/2
6	442	528	16	x1	2/2
7	708	300	16	x1	1/2
8	187	436	16	x1	1/2

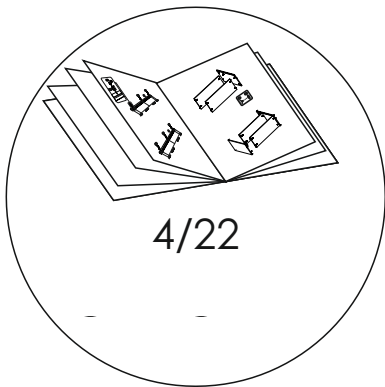
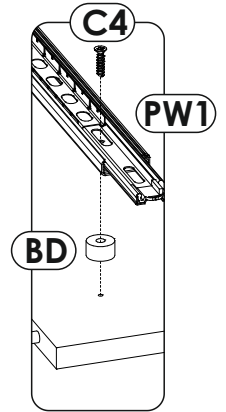
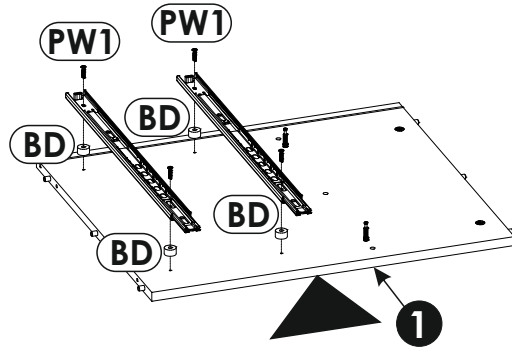
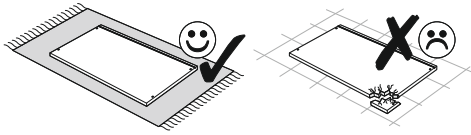
9	436	187	16	x1	1/2
10	500	140	16	x2	1/2
11	500	140	16	x2	1/2
12	363	124	16	x2	1/2
13	377	505	3	x2	1/2
14	238	456	3	x1	1/2
15	402	456	3	x1	1/2



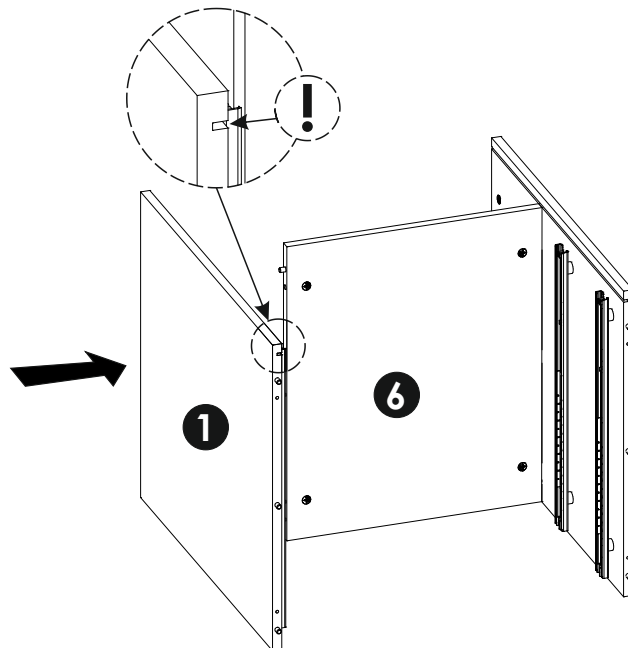
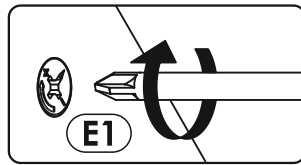
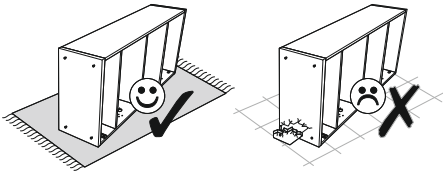


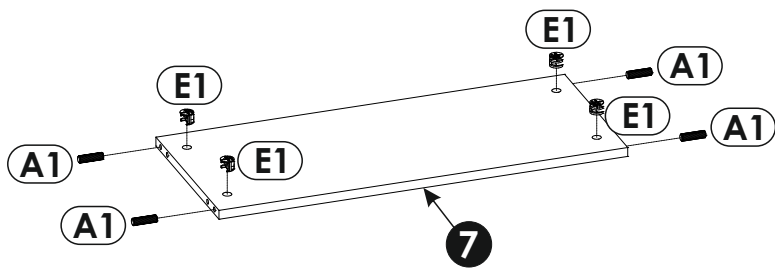
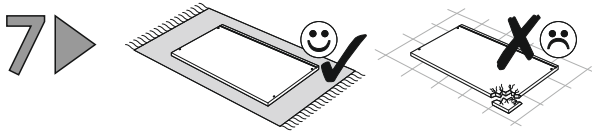
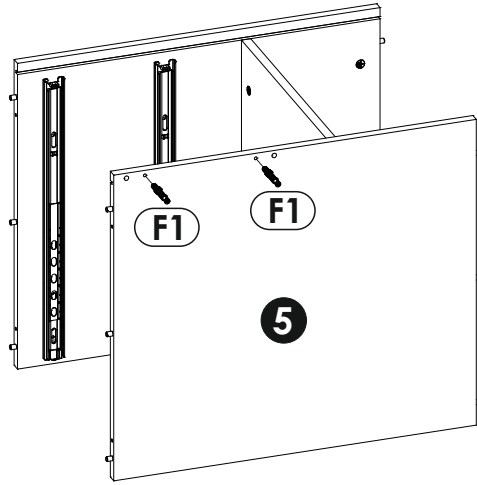
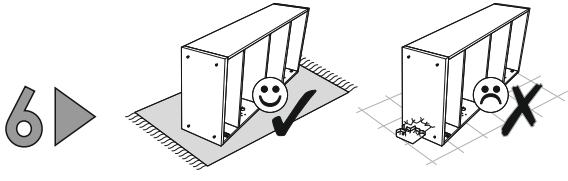


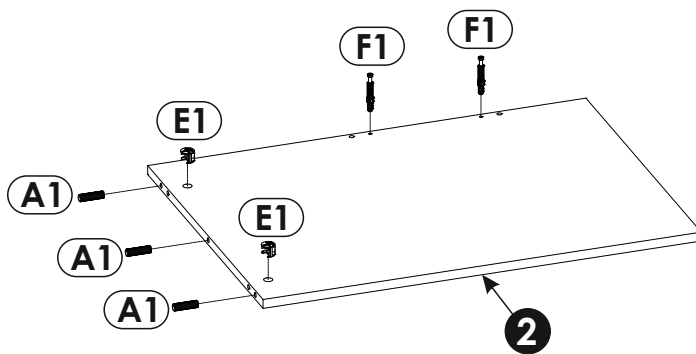
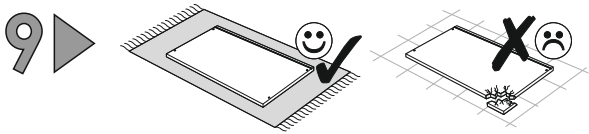
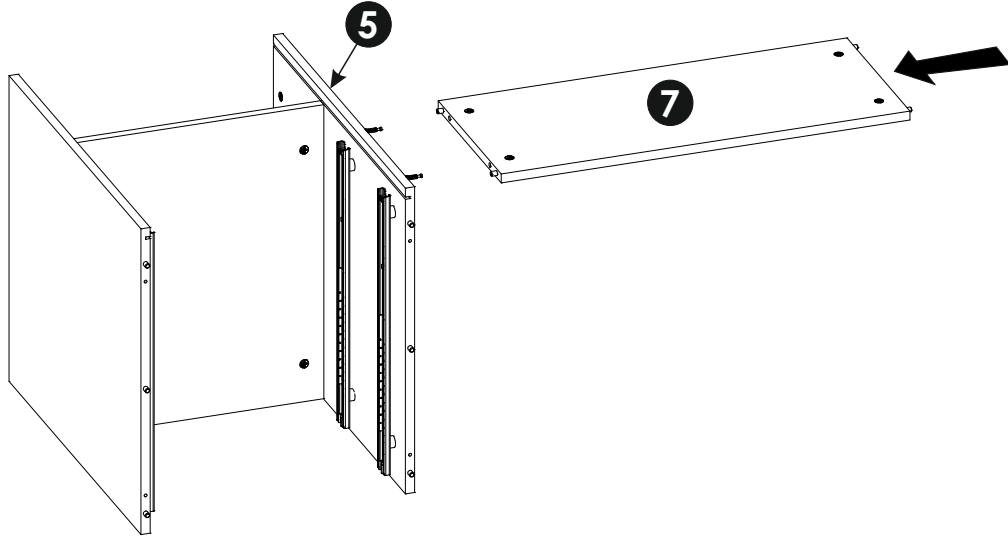
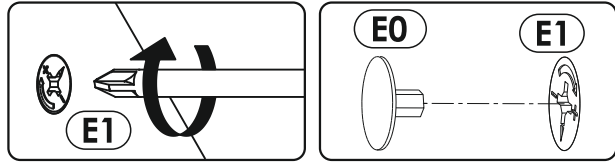
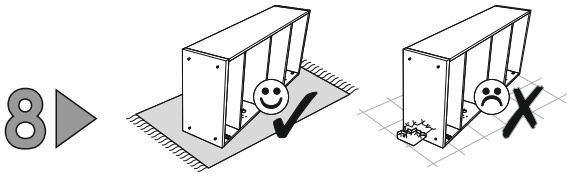
4b ▶

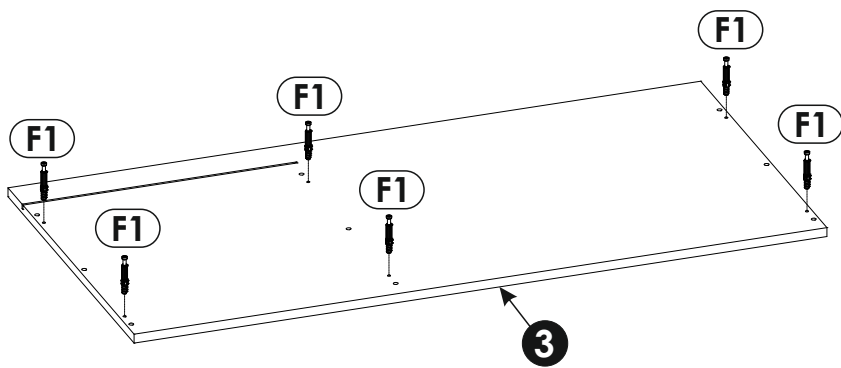
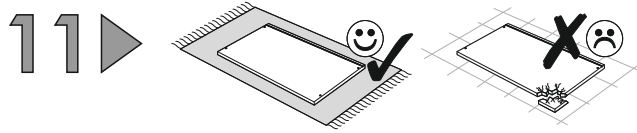
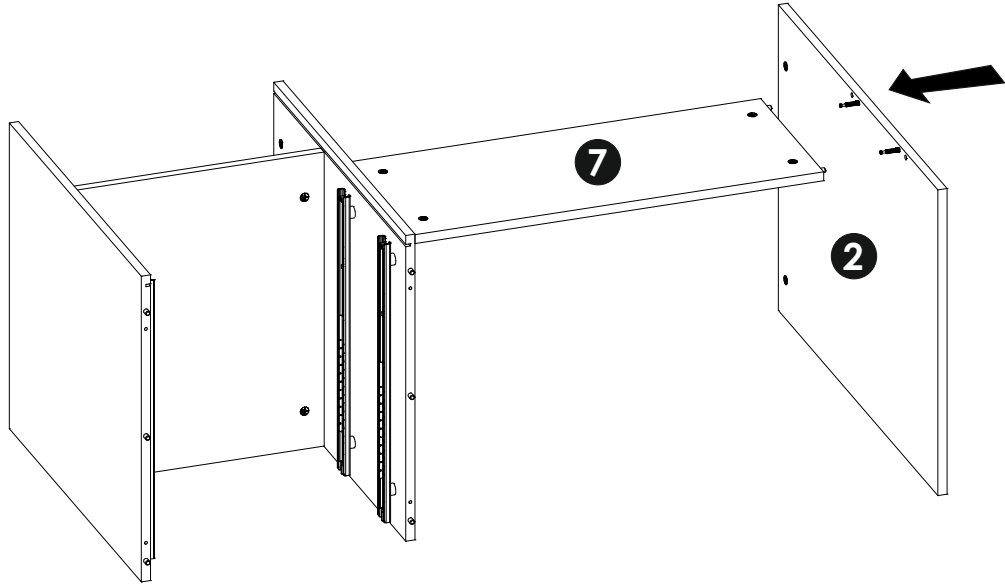
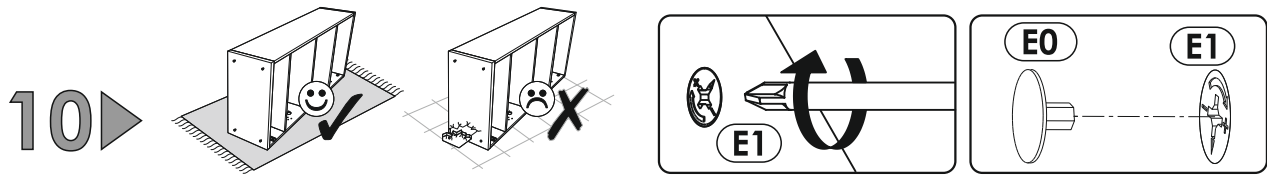


5 ▶

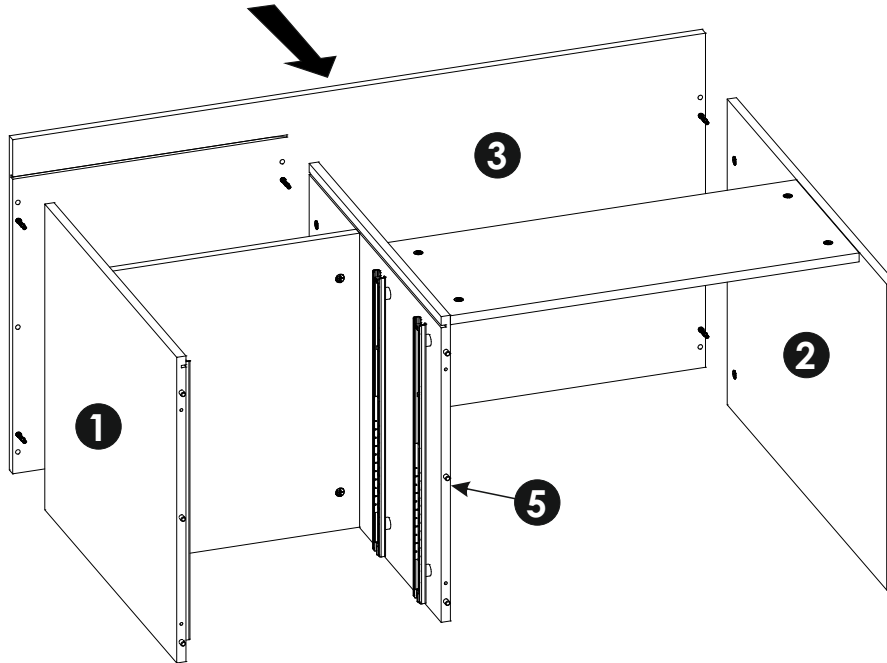
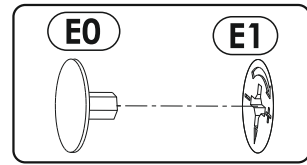
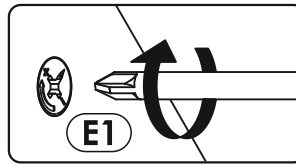
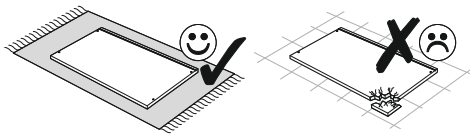




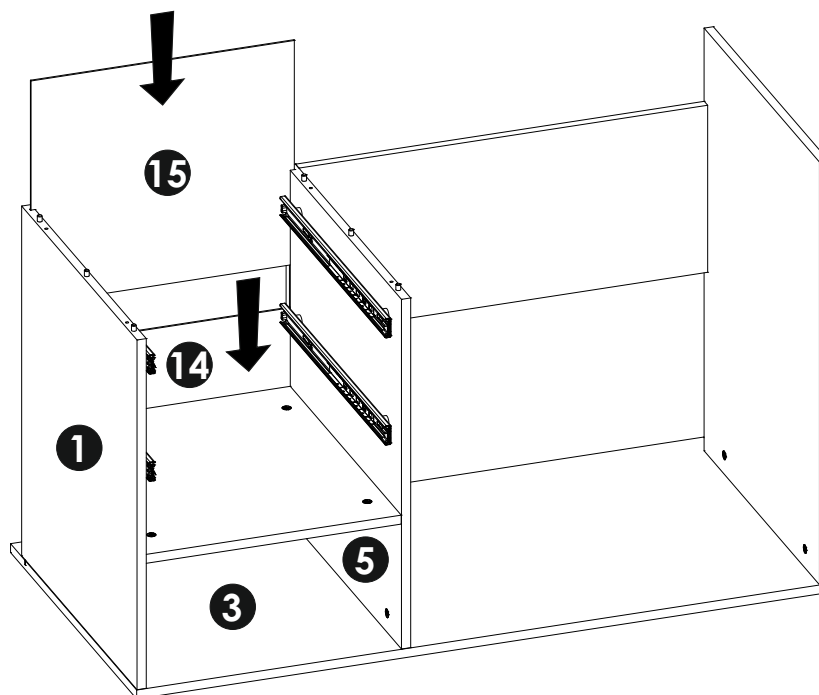
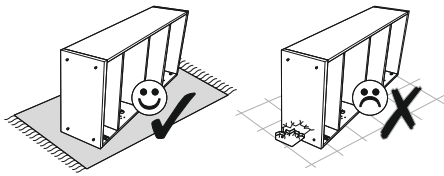




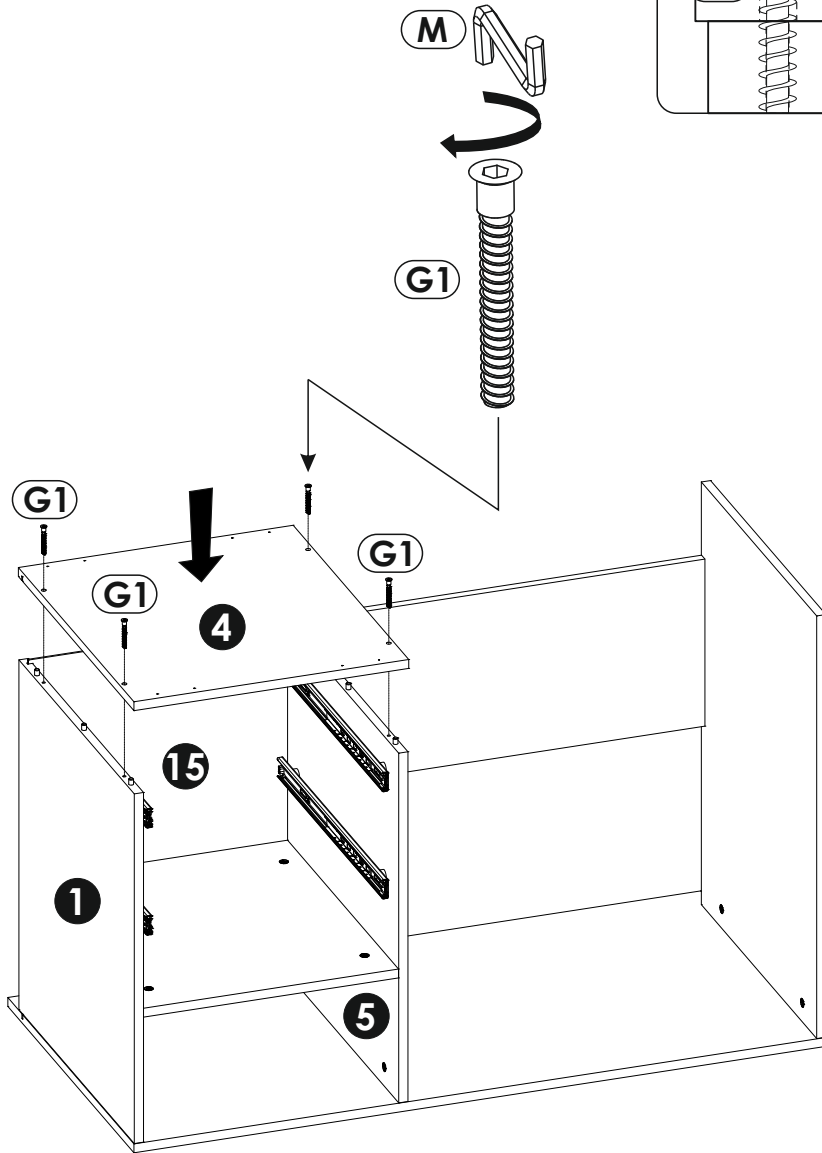
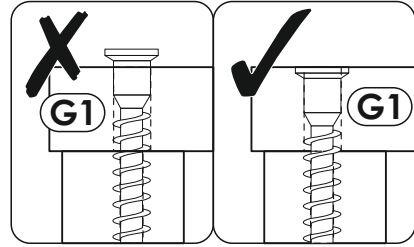
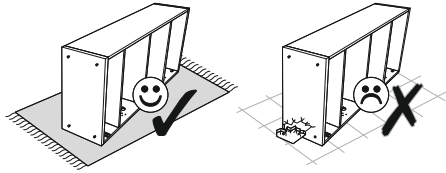
12▶

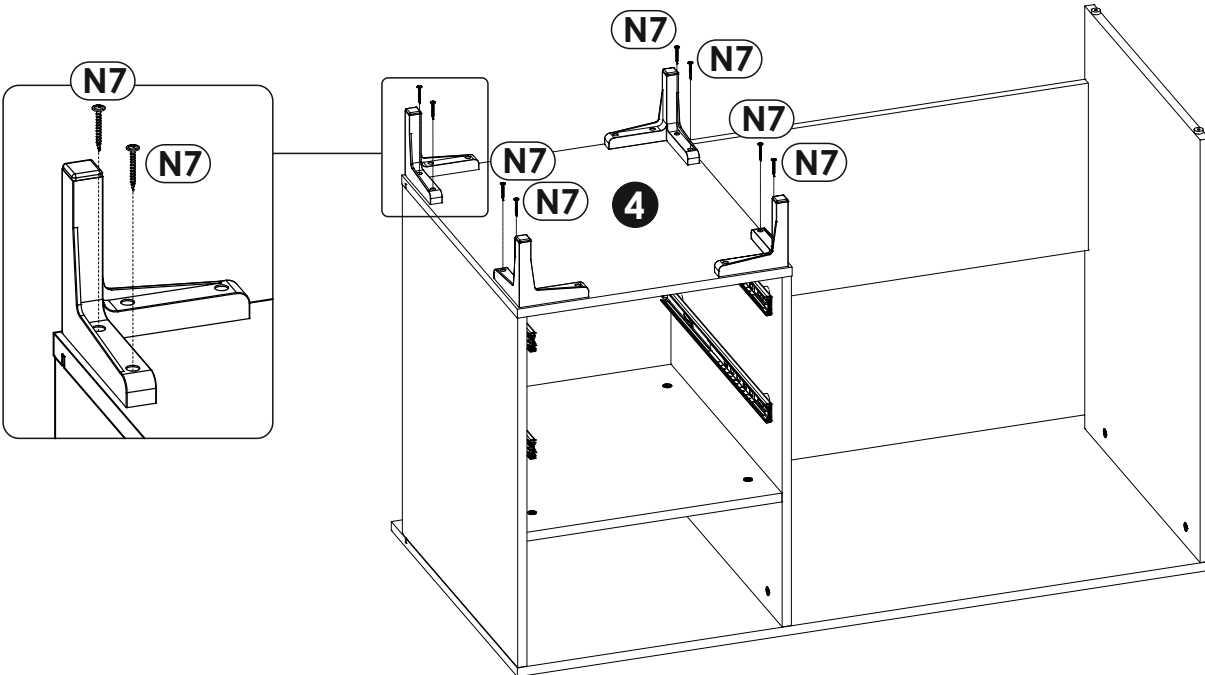
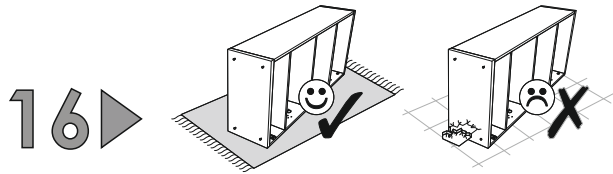
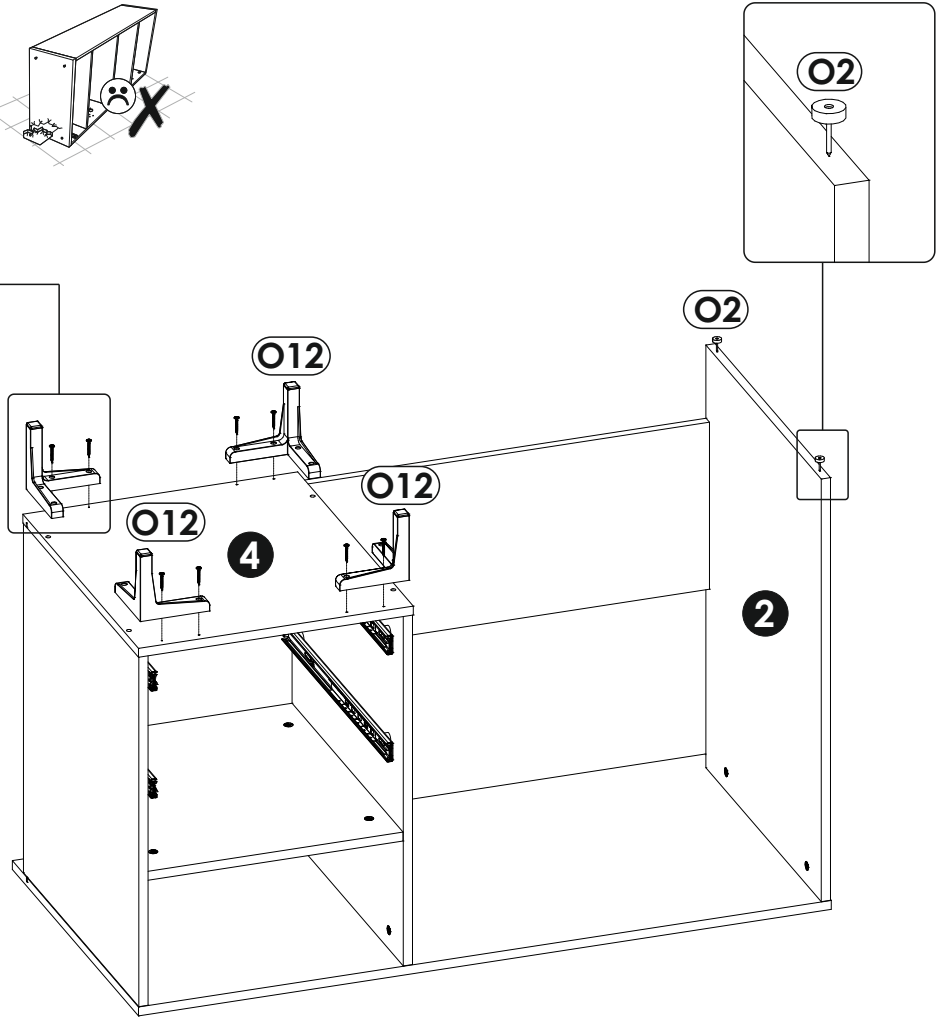
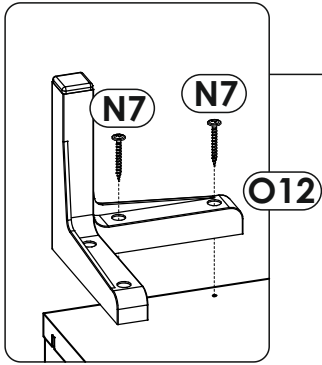
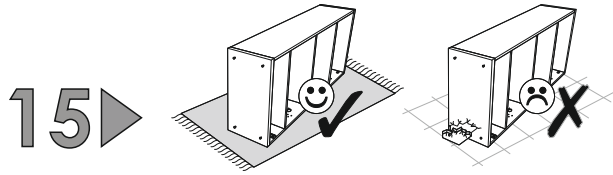


13▶

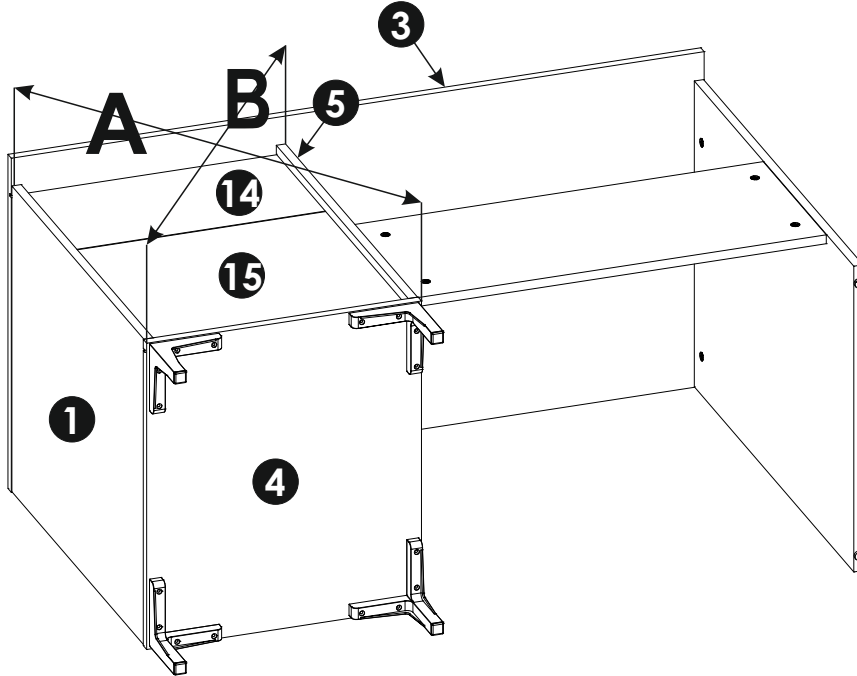
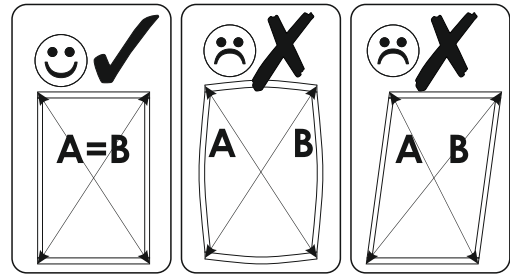
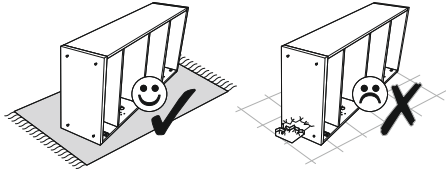


14▶▶

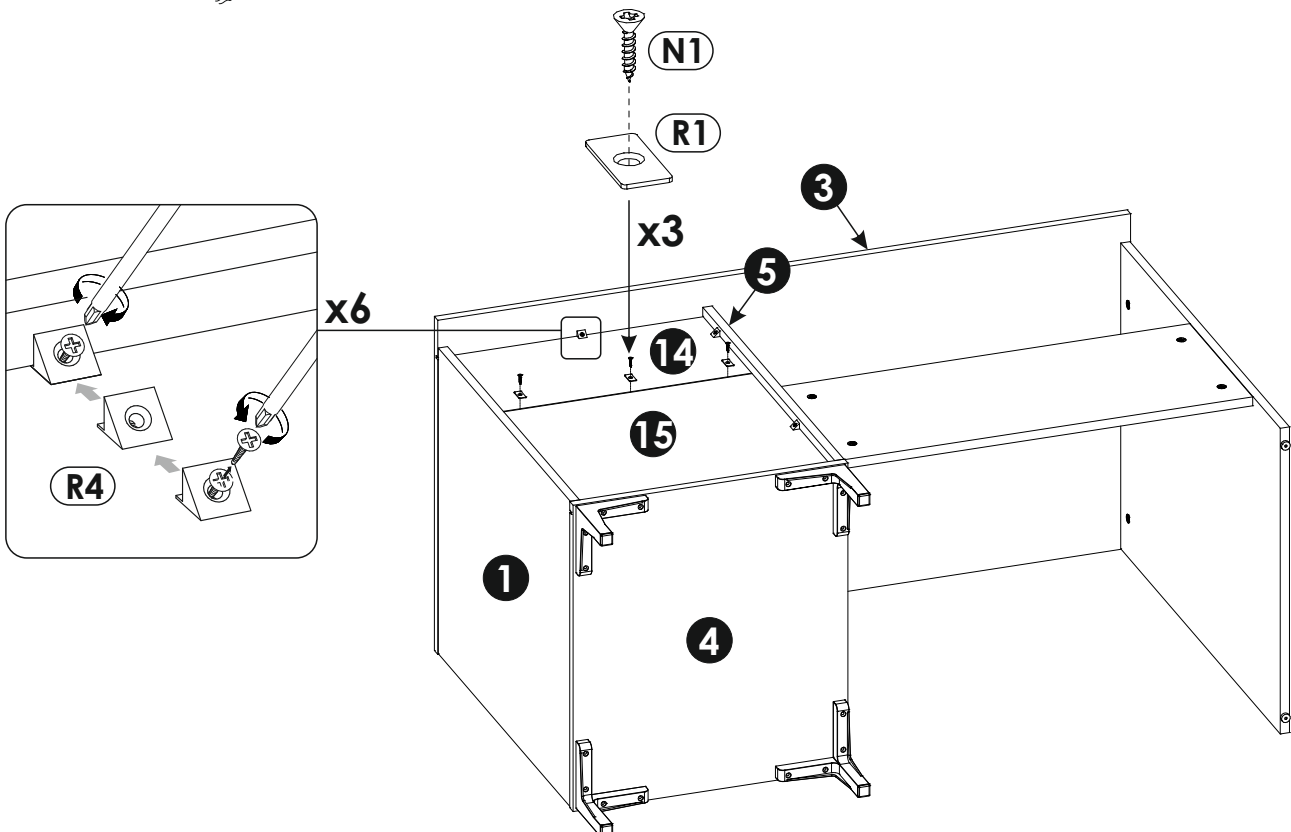
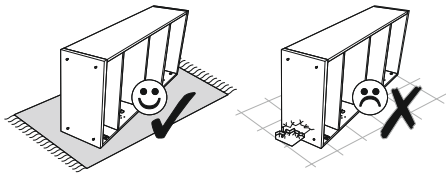


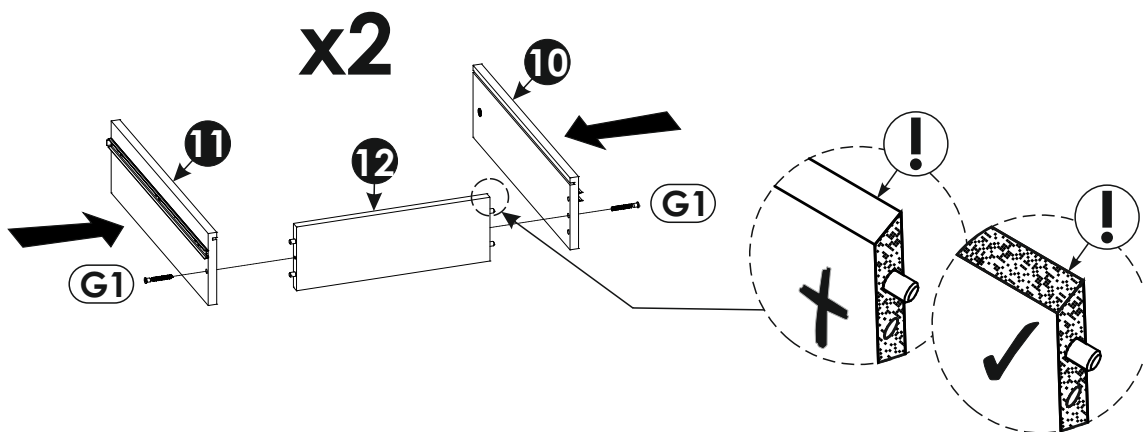
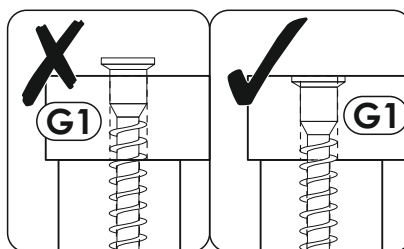
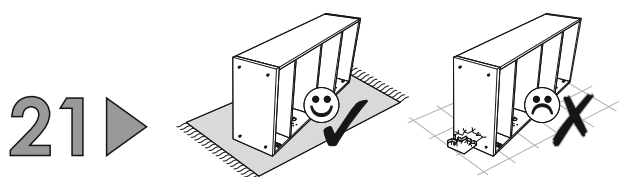
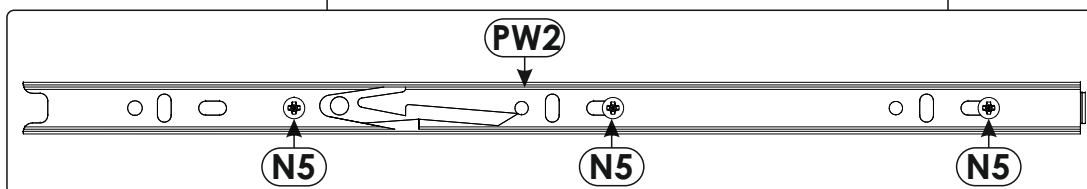
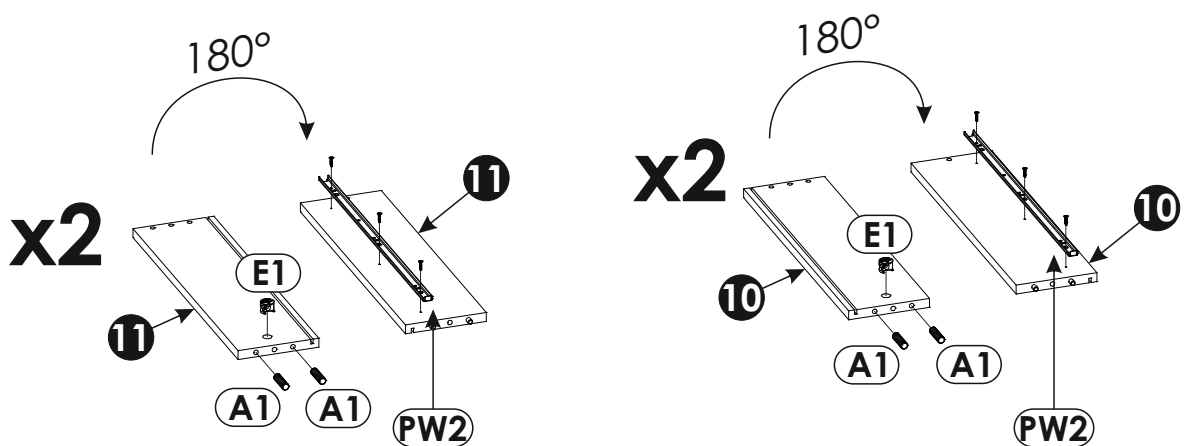
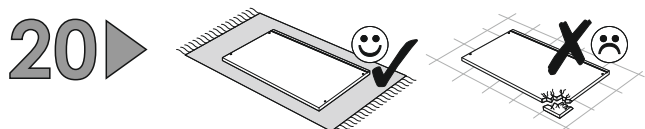
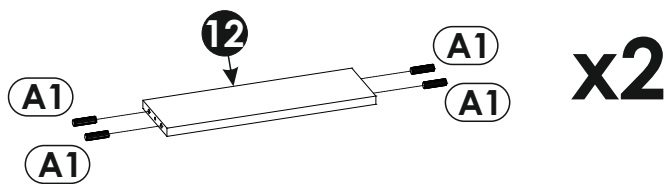
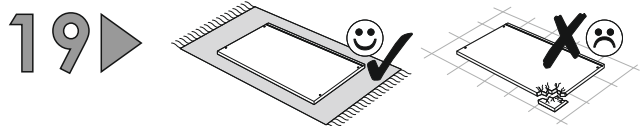


17 ▶

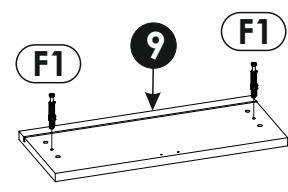
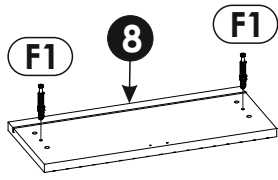
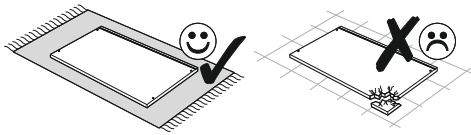


18 ▶

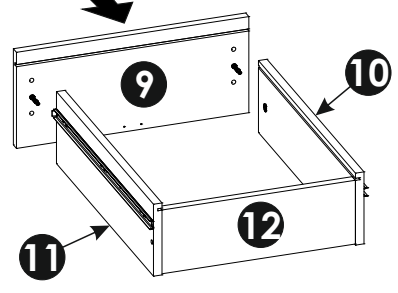
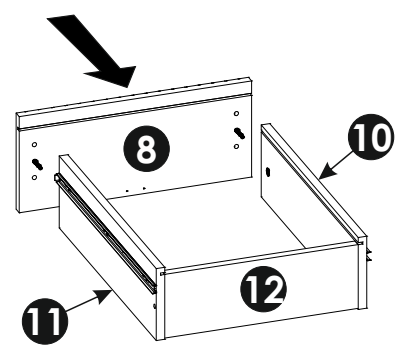
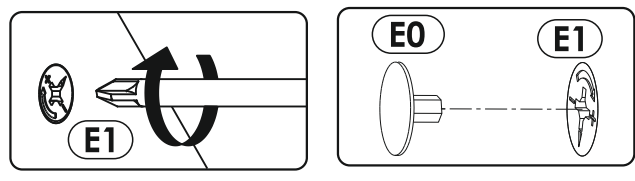
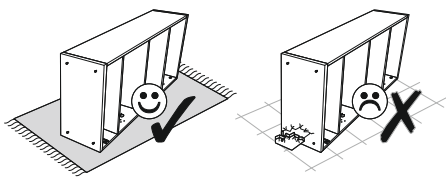




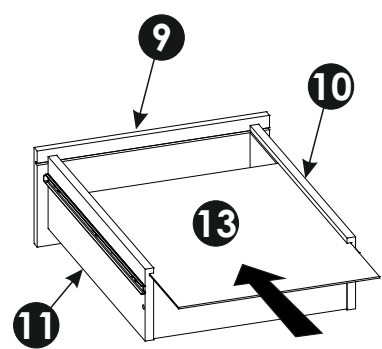
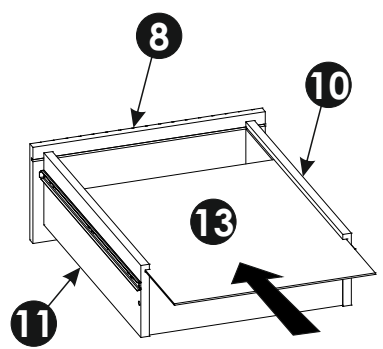
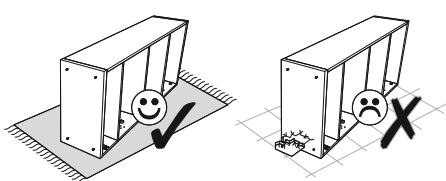
22 ▶



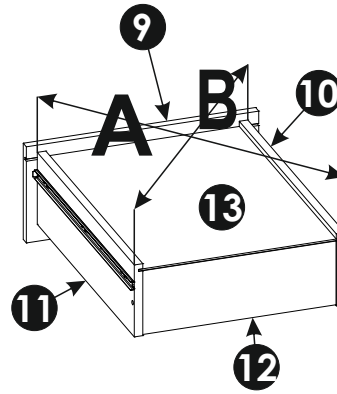
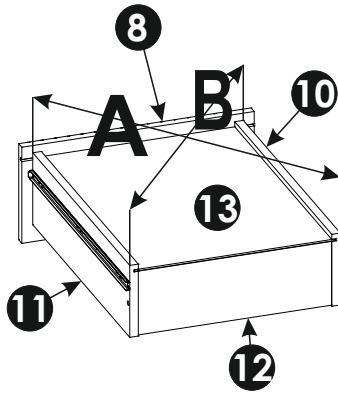
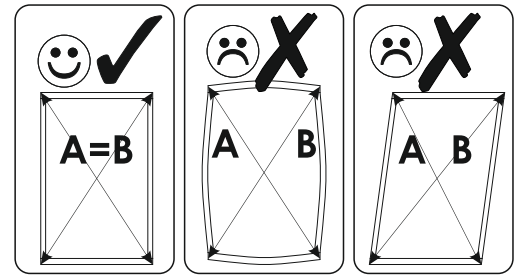
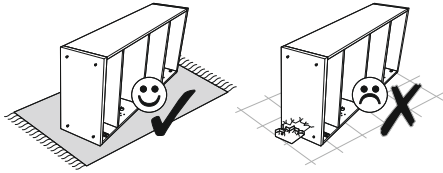
23 ▶



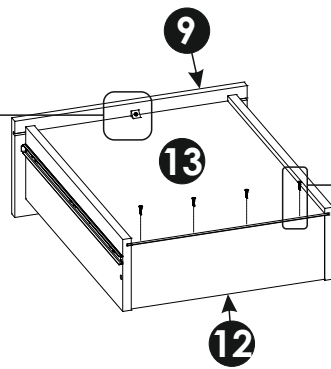
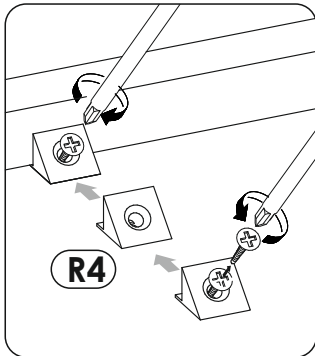
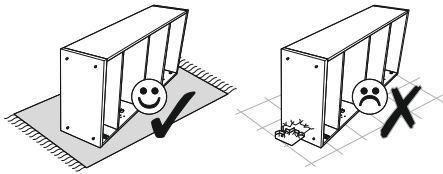
24 ▶



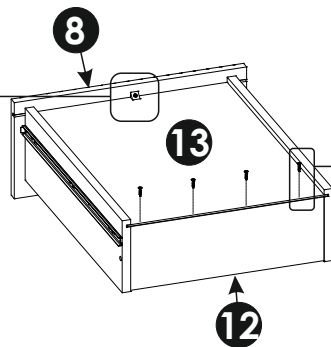
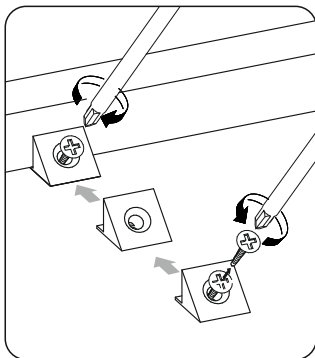
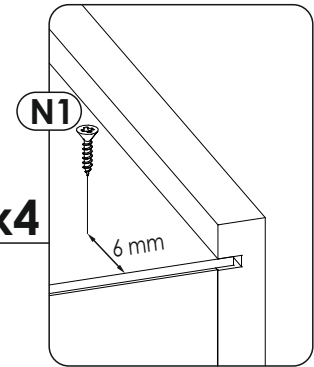
25 ▶



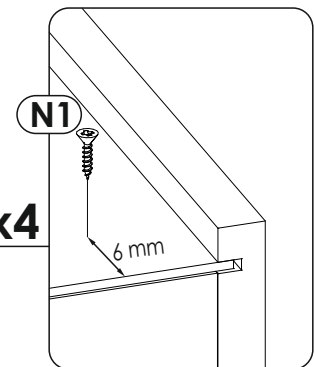
26 ▶



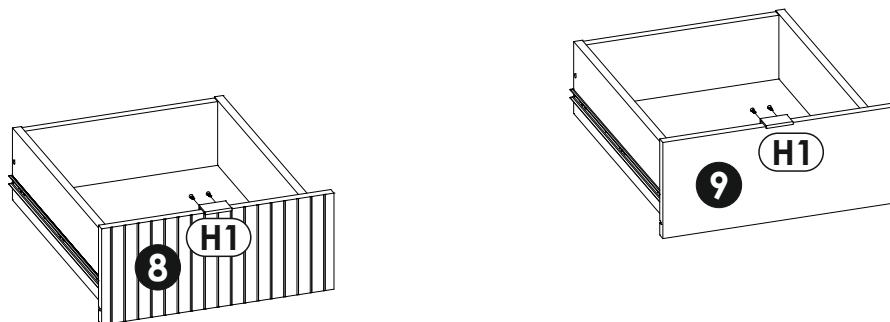
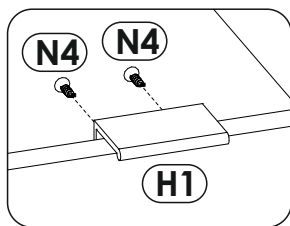
x4



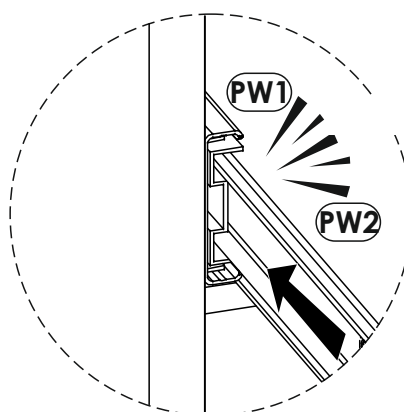
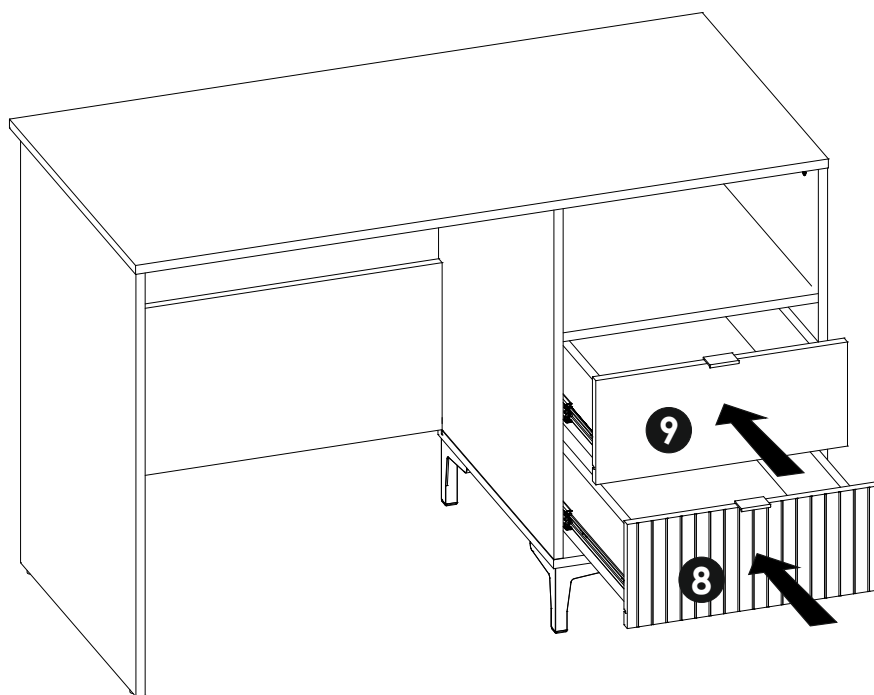
x4



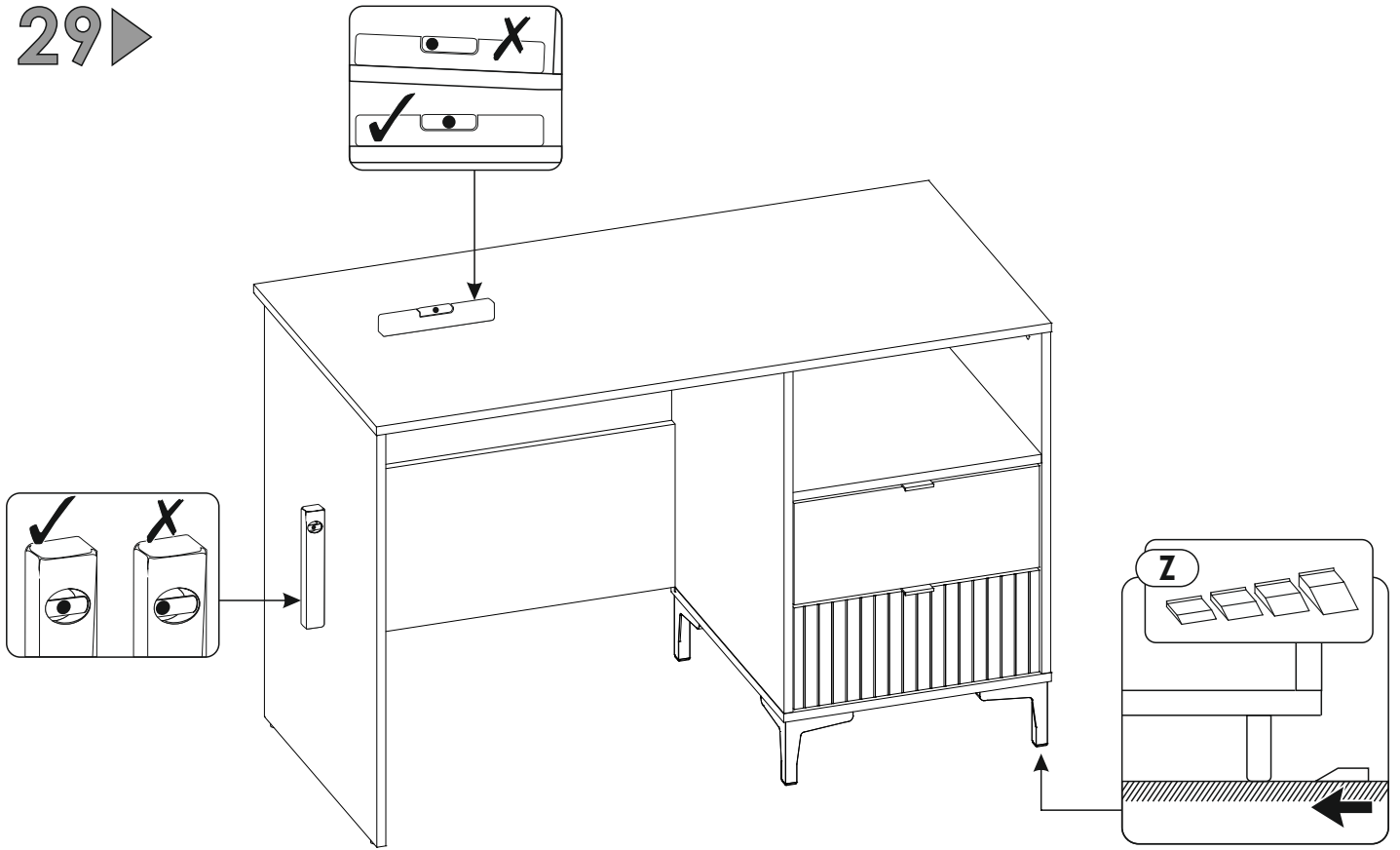
27▶



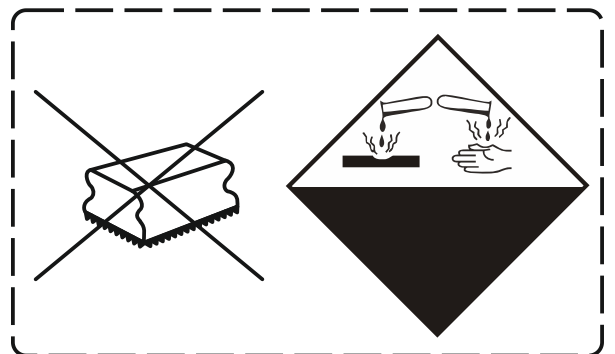
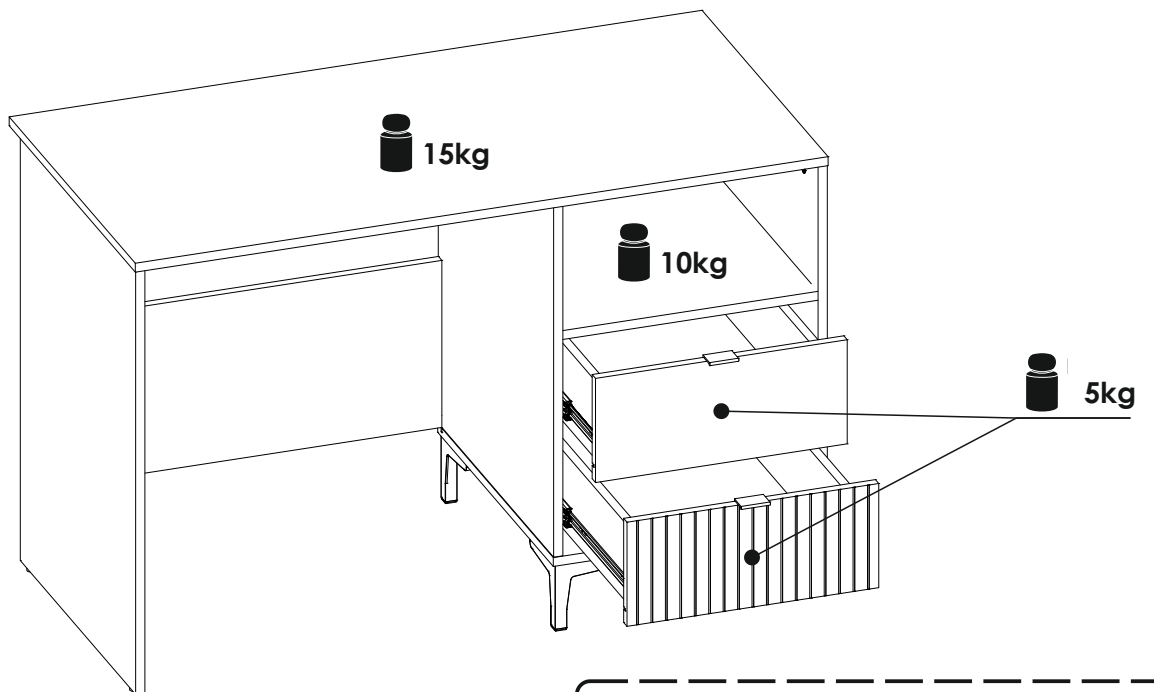
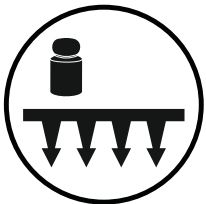
28▶

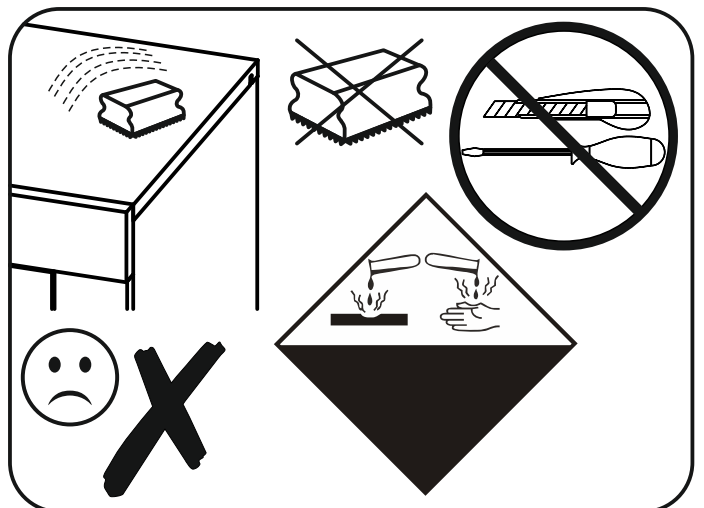
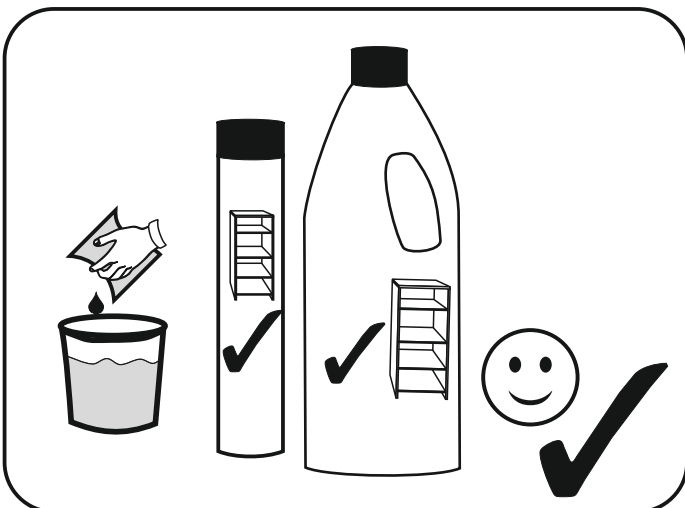
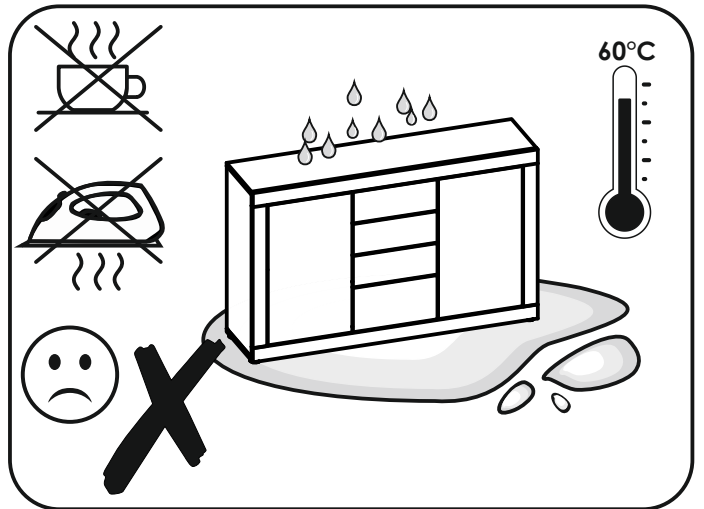
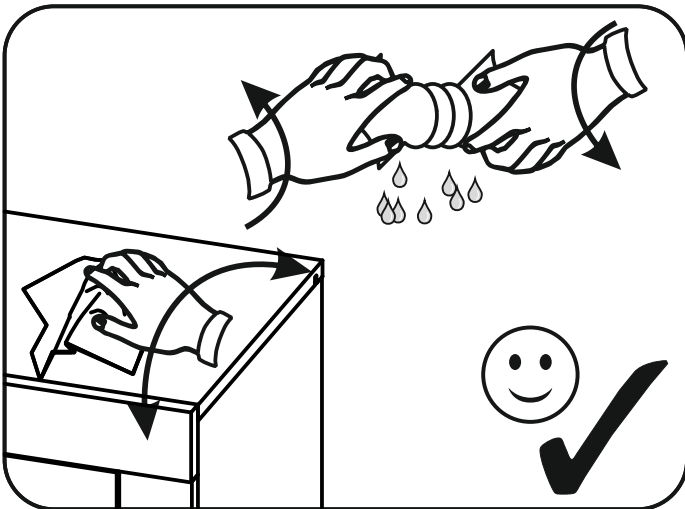
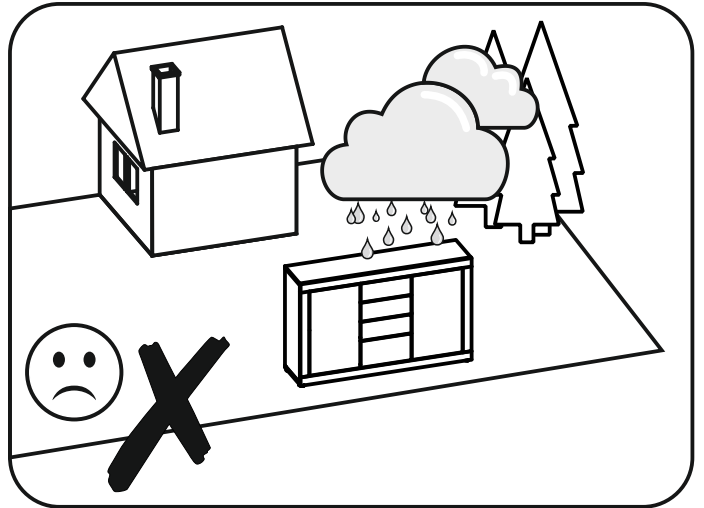


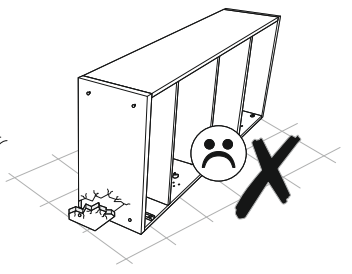
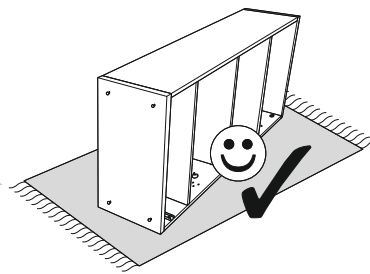
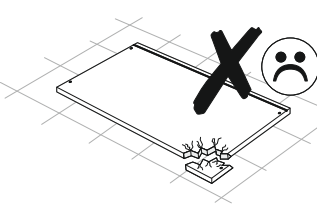
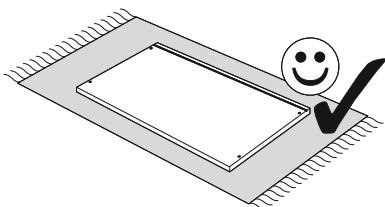
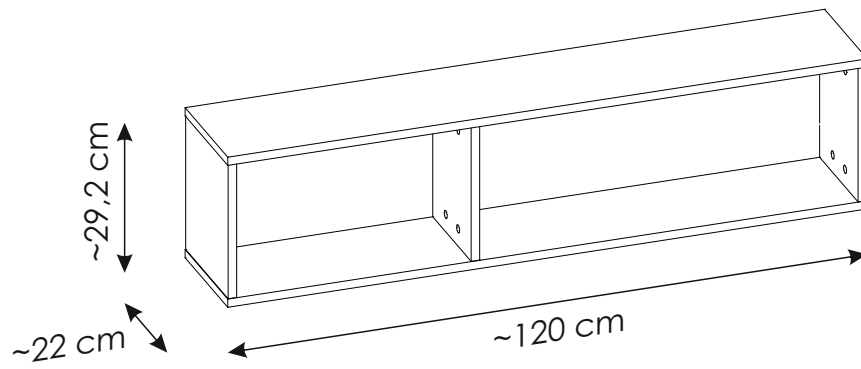
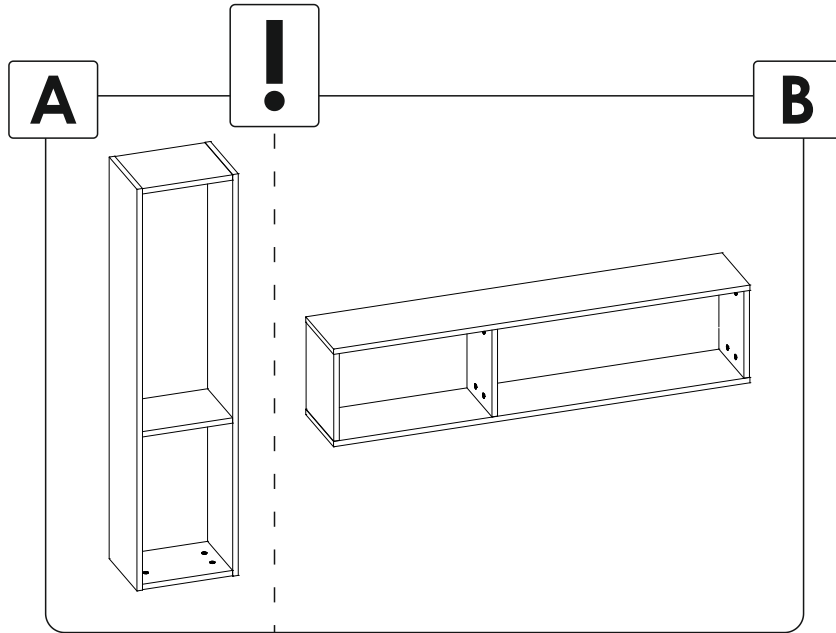
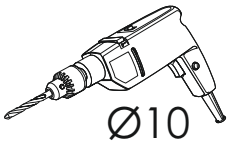
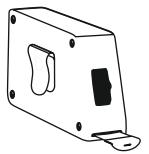
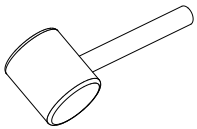
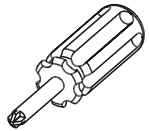
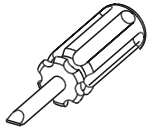
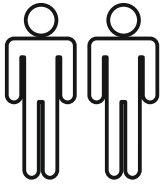
29 ▶

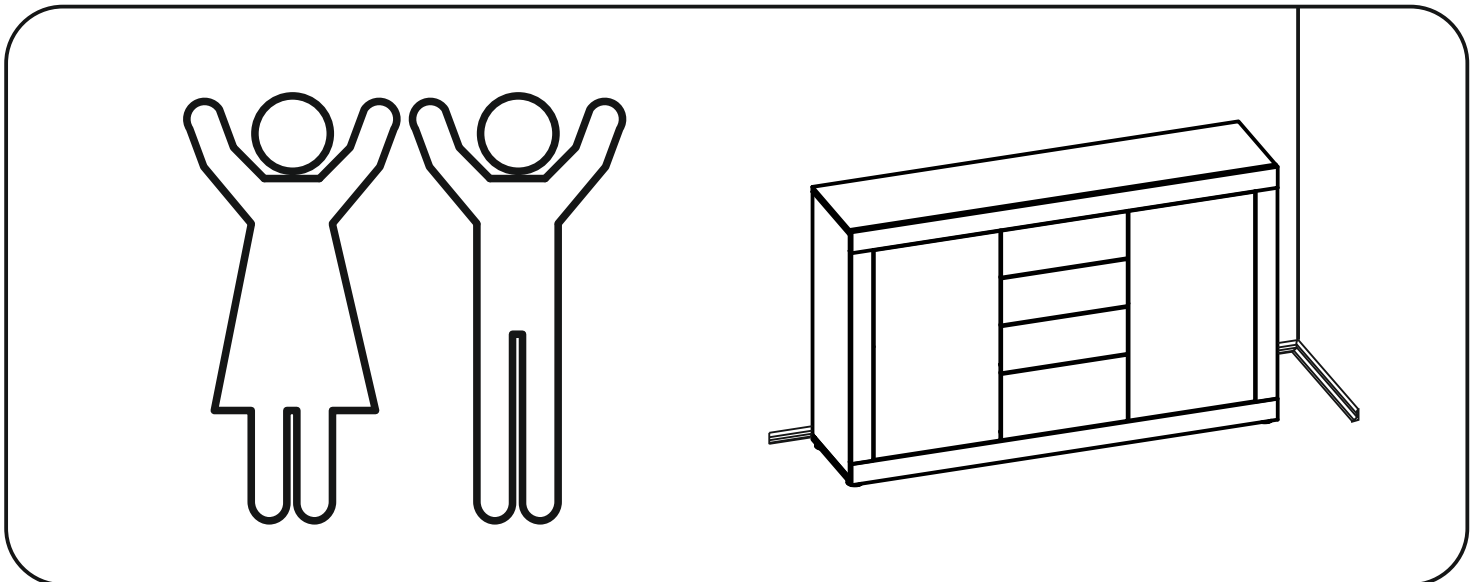
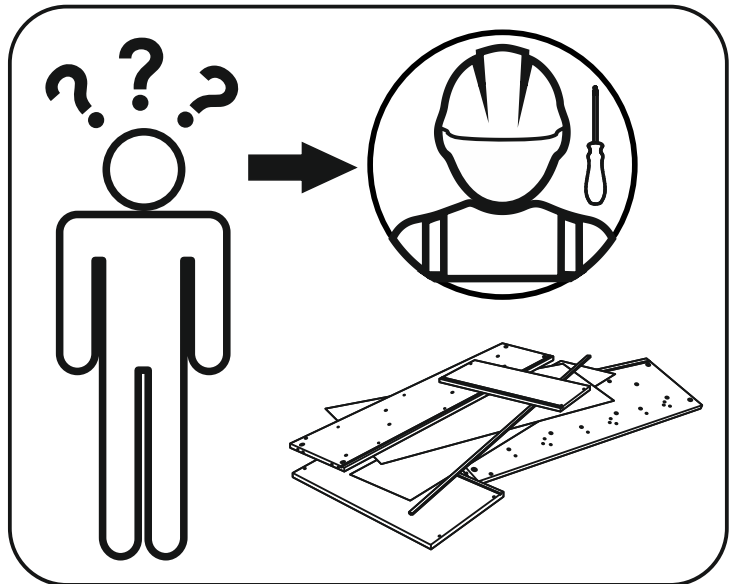
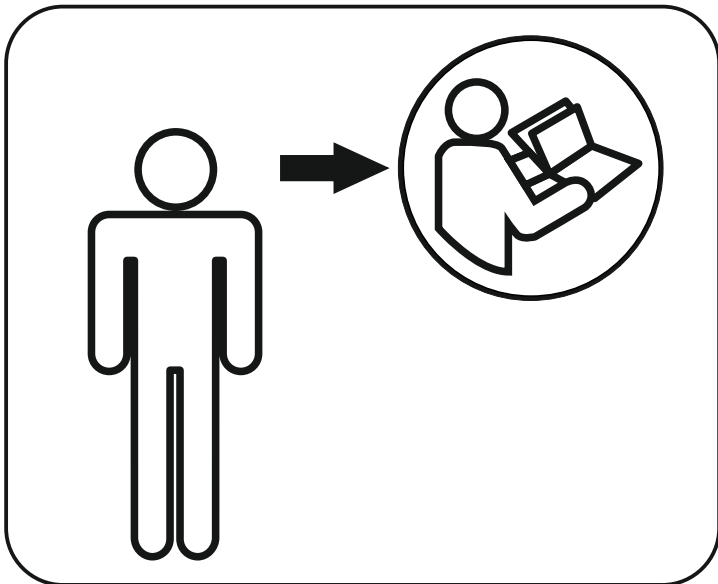
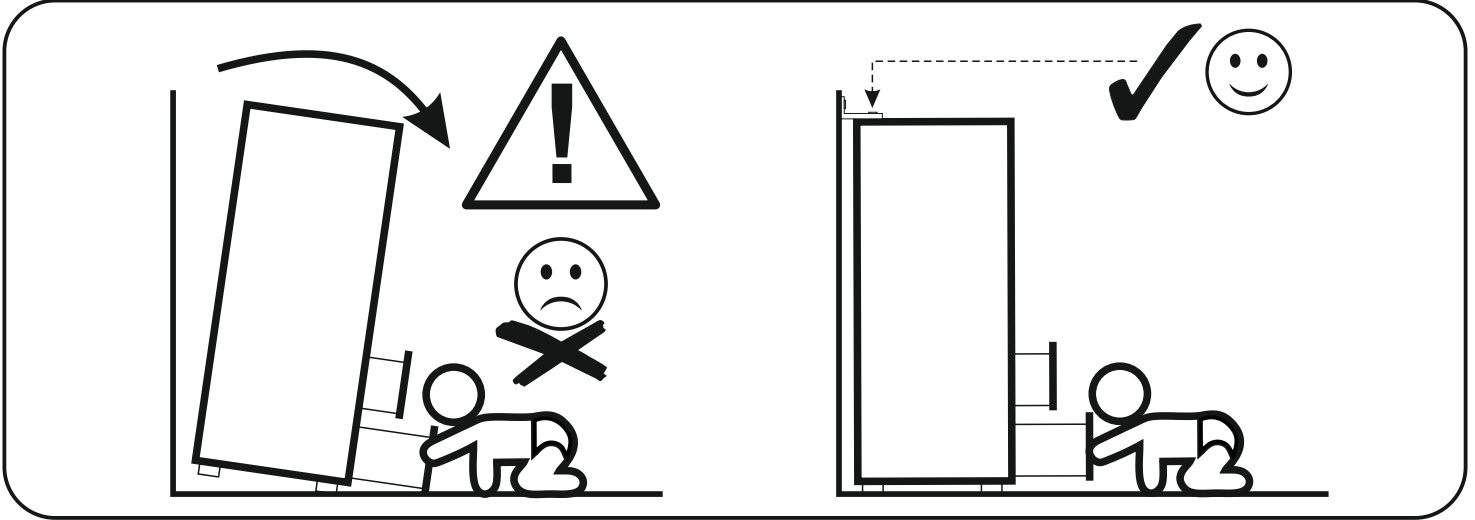
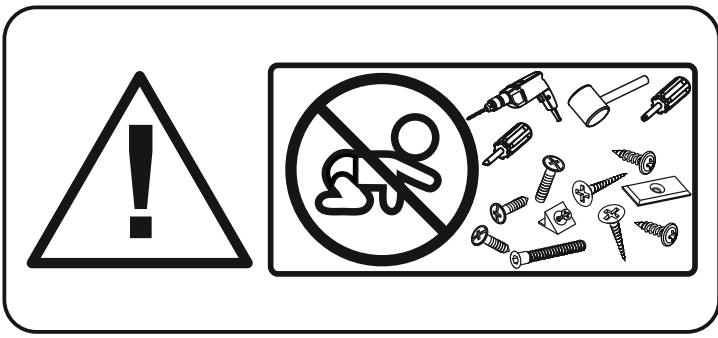



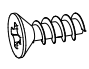
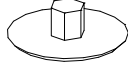

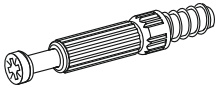

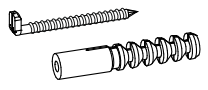
30 ▶

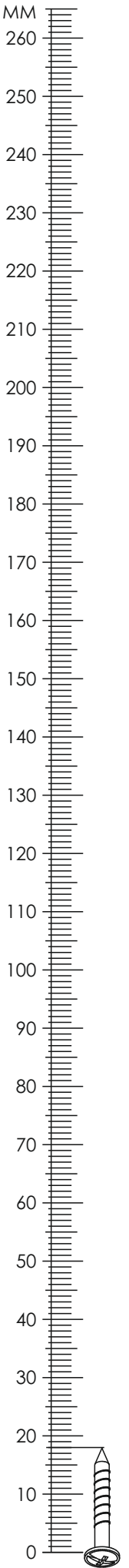


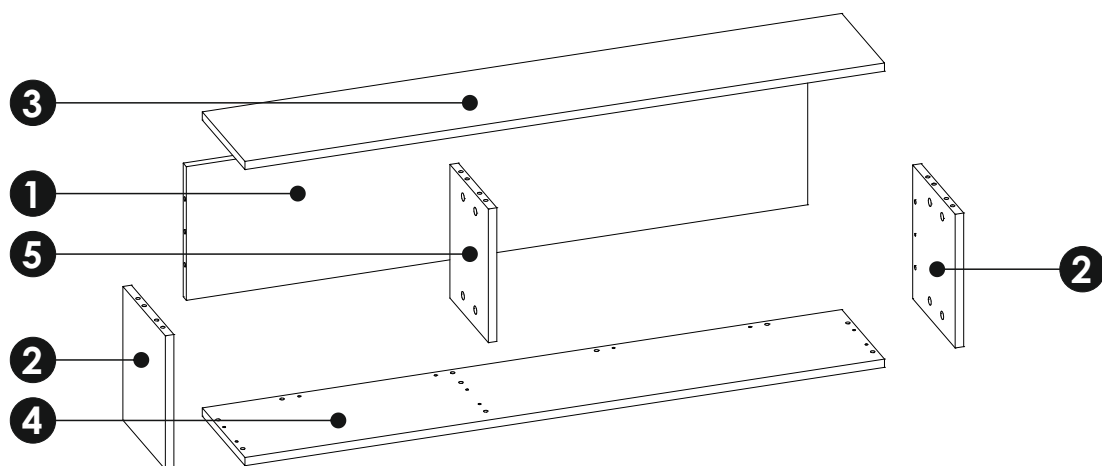
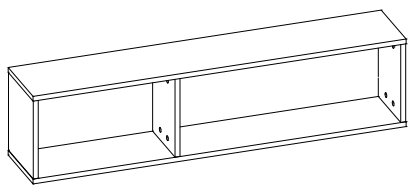




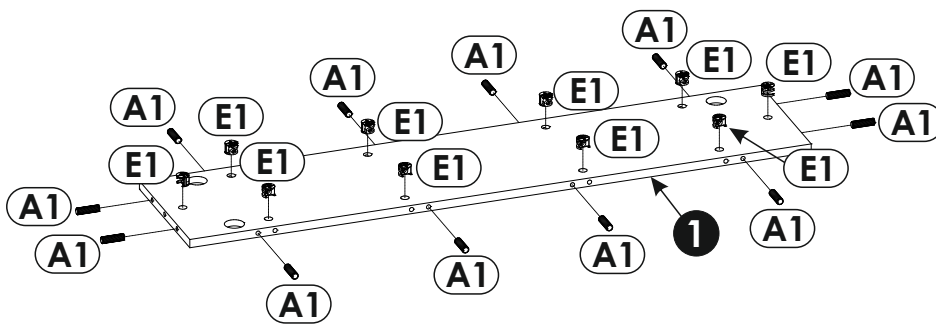
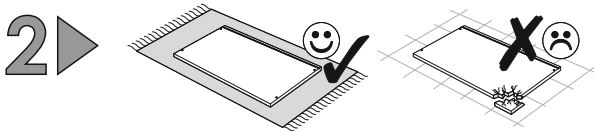
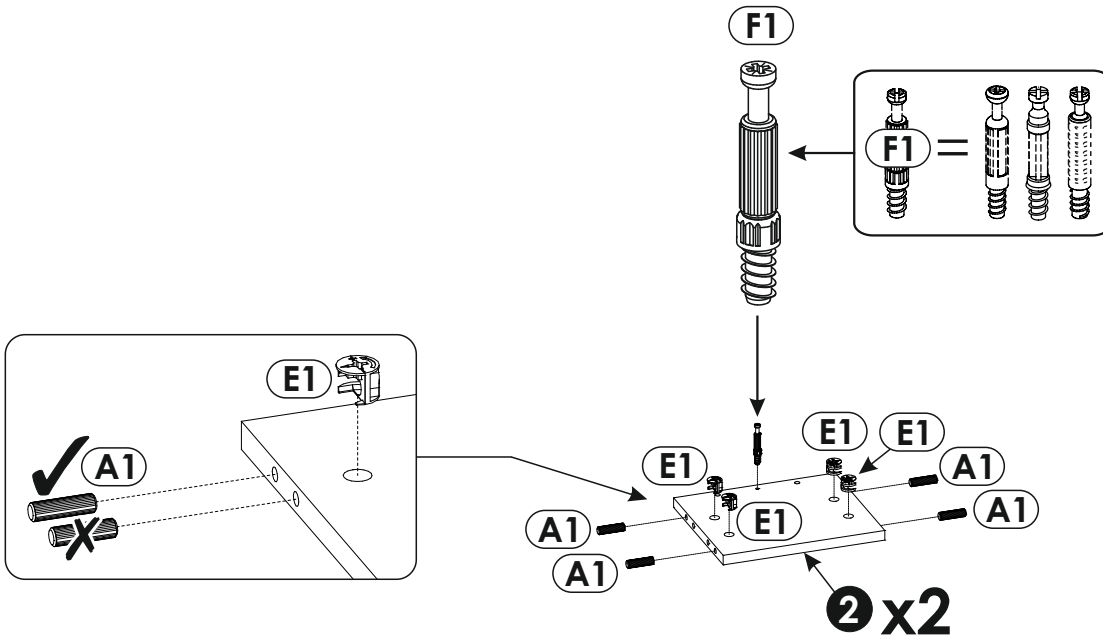
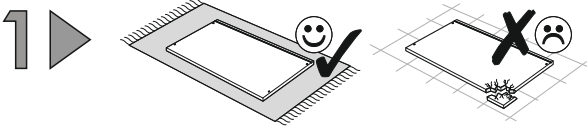
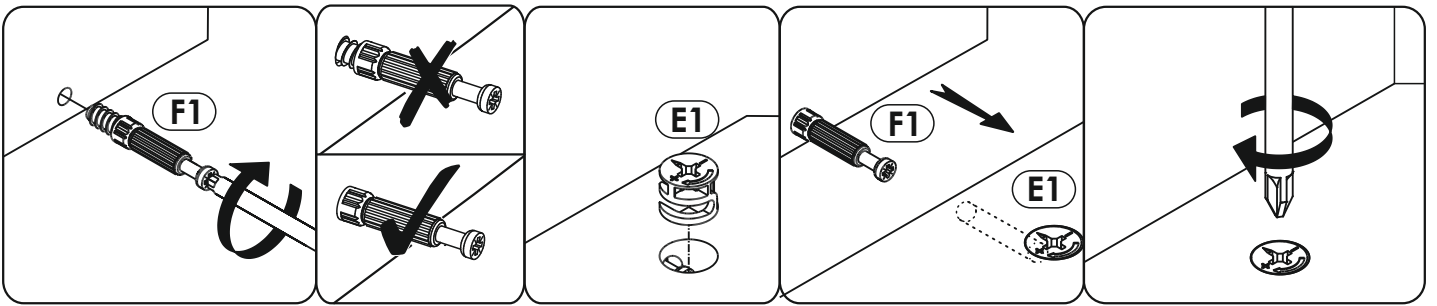


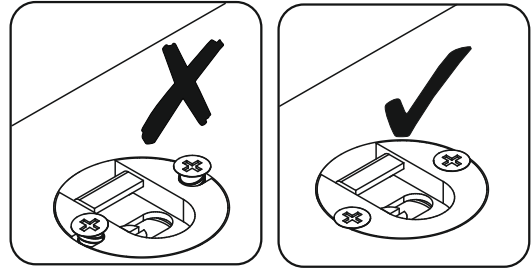
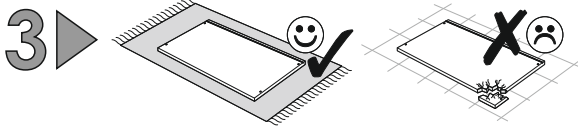
A1 8 x 35 mm x24 	C2 5 x 13 mm x4 	E0 Ø16 x12 
E1 15 x 12 mm x22 	F1 6 x 34 mm x22 	P1 x2 
Y2 x2  Ø10		



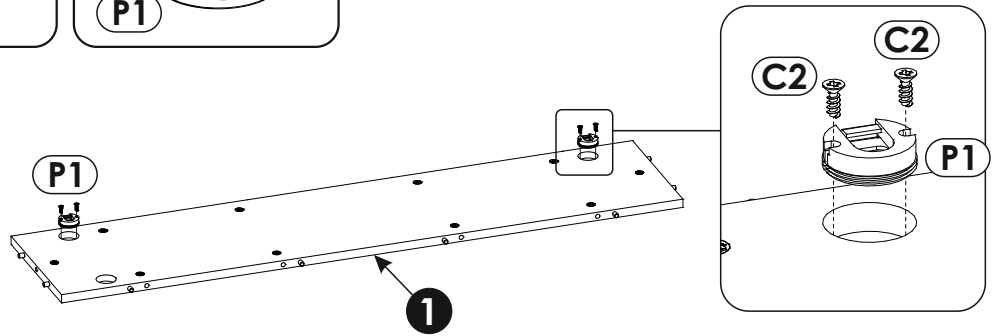
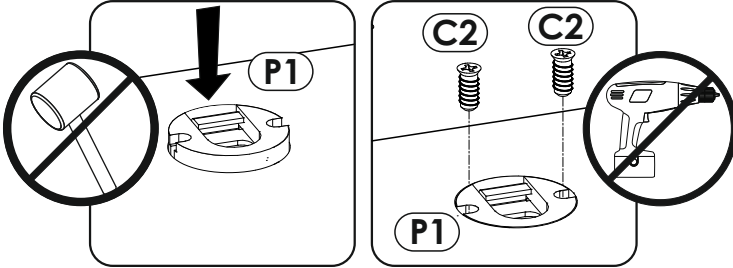


1	1166	260	16	x1	1/1
2	260	219	16	x2	1/1
3	1200	220	16	x1	1/1
4	1200	220	16	x1	1/1
5	260	198	16	x1	1/1

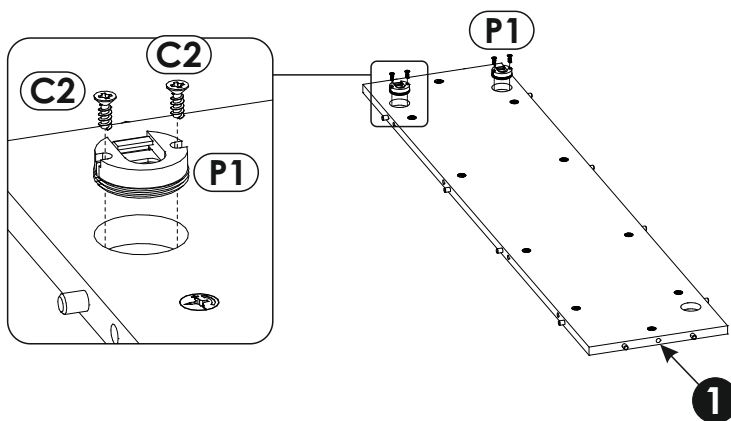
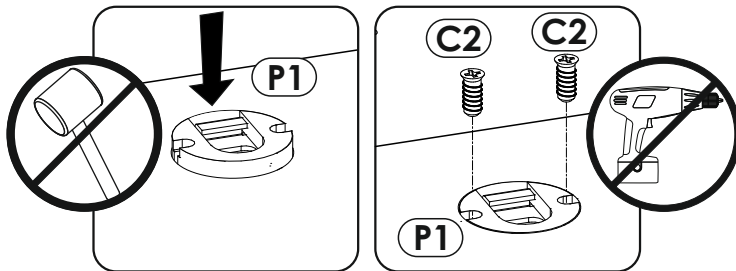
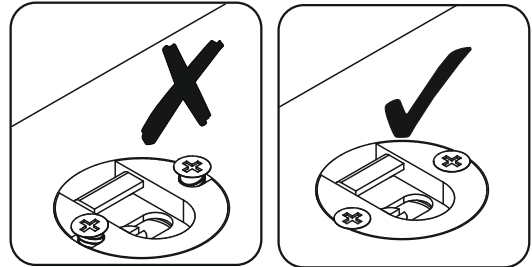
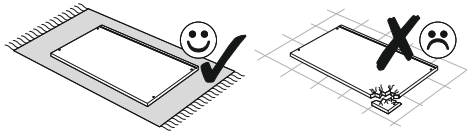


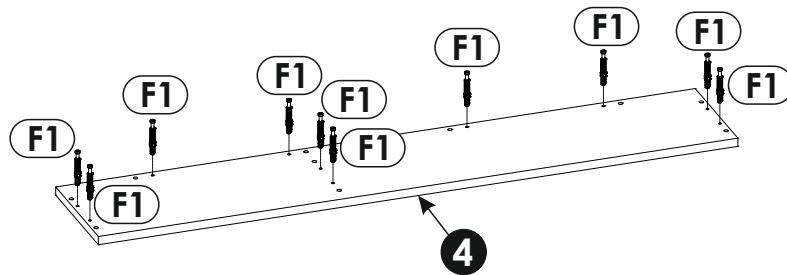
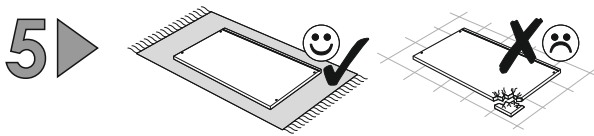
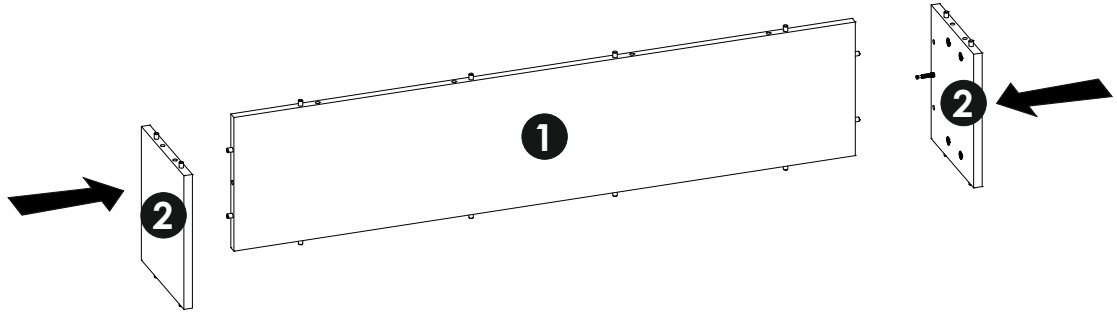
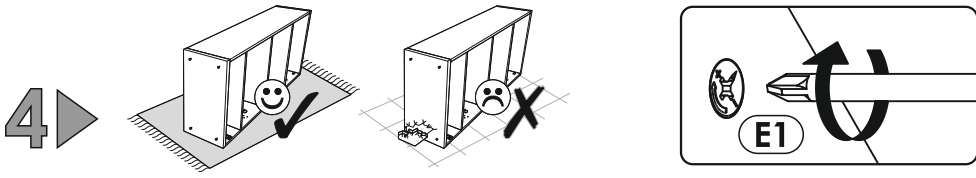


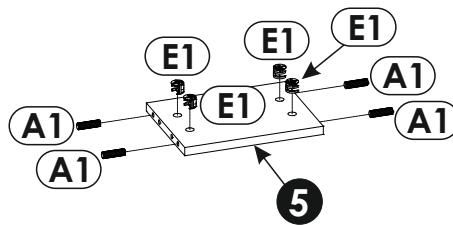
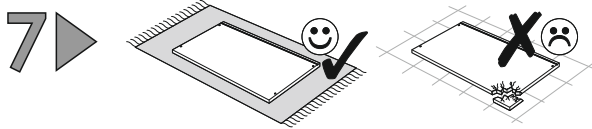
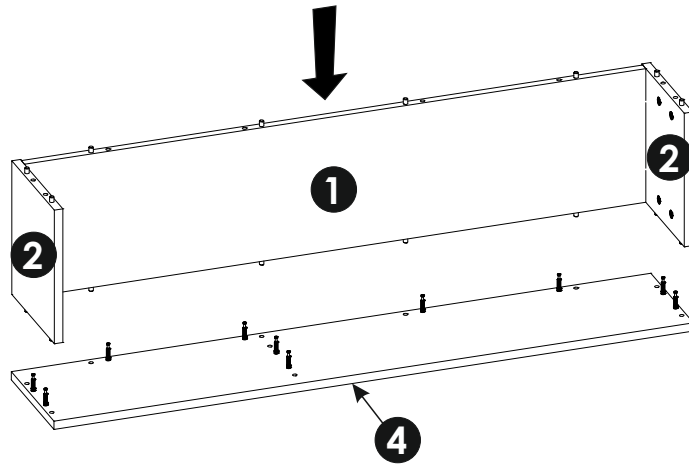
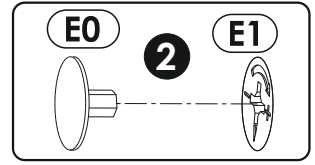
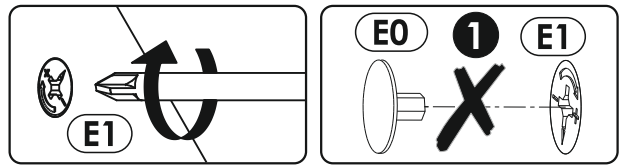
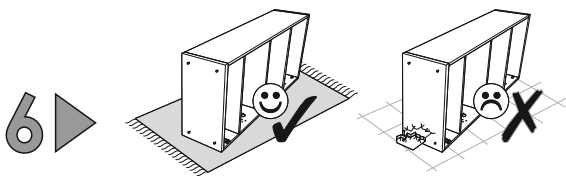
A

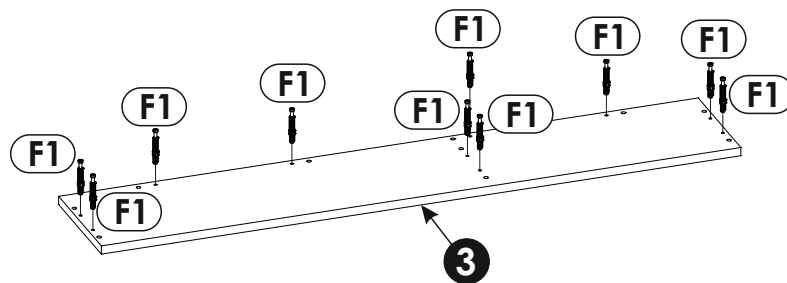
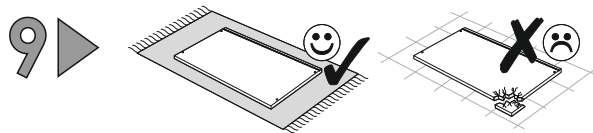
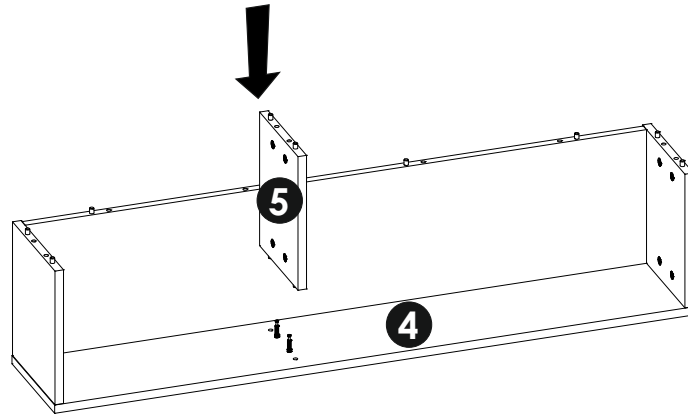
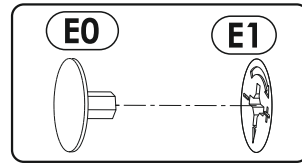
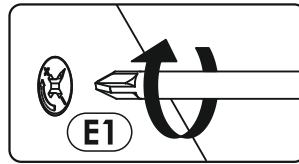
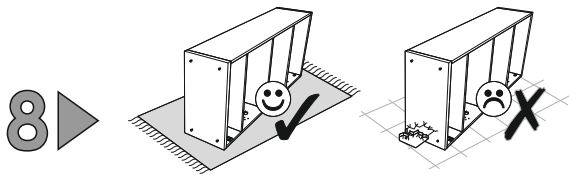


B

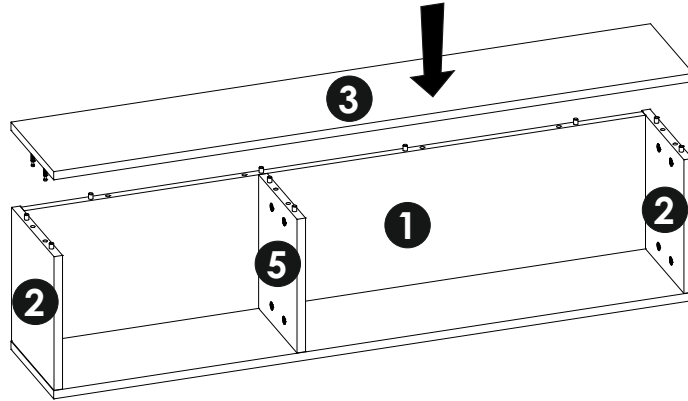
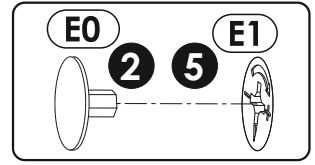
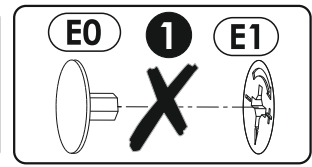
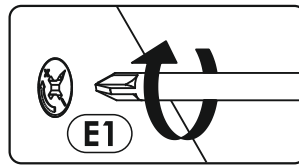
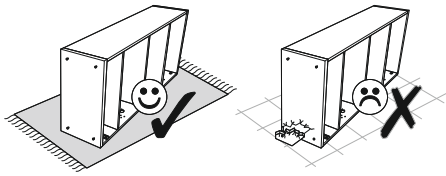




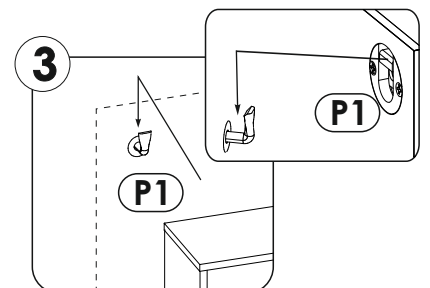
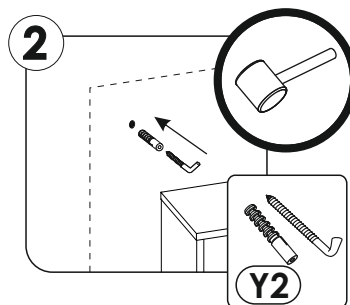
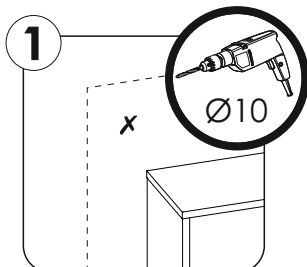
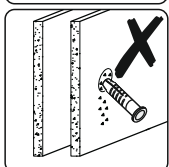
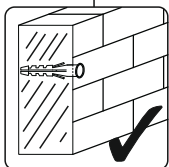
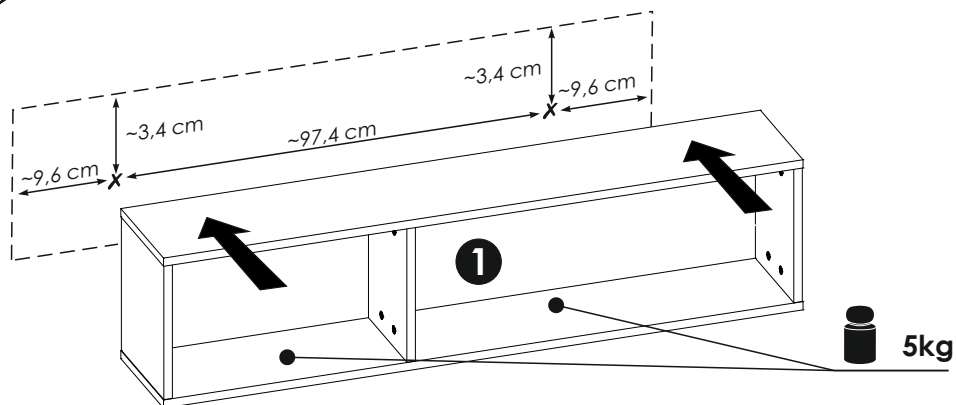
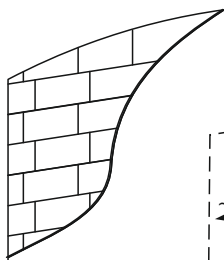
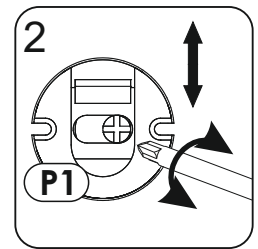
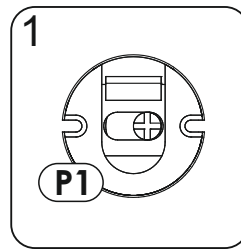
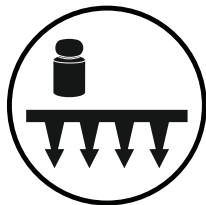


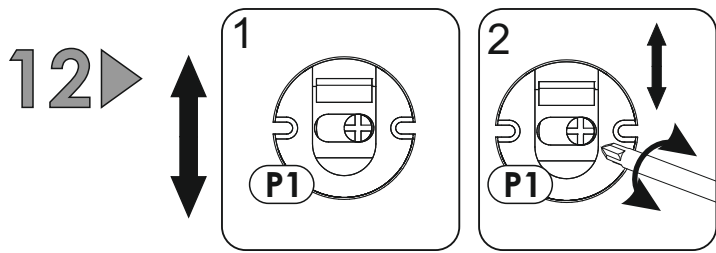


10 ▶

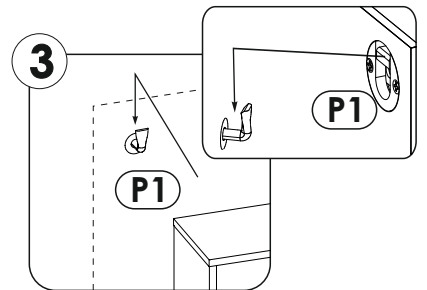
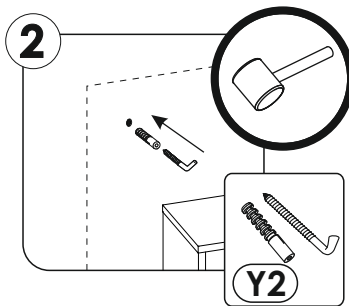
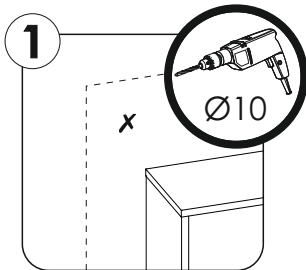
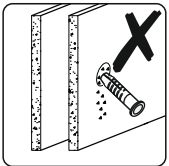
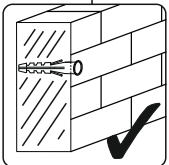
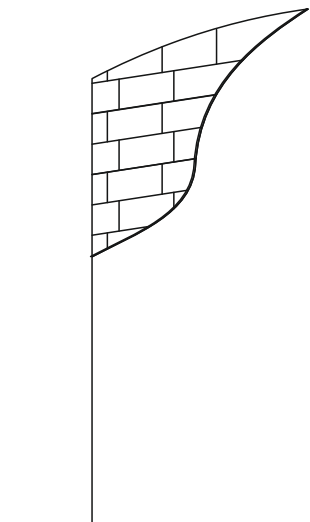
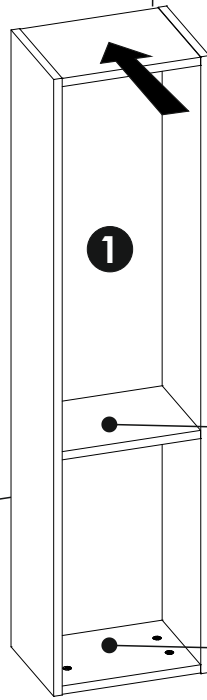
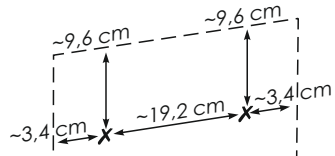
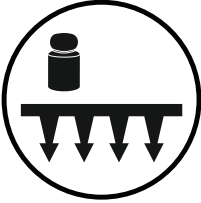


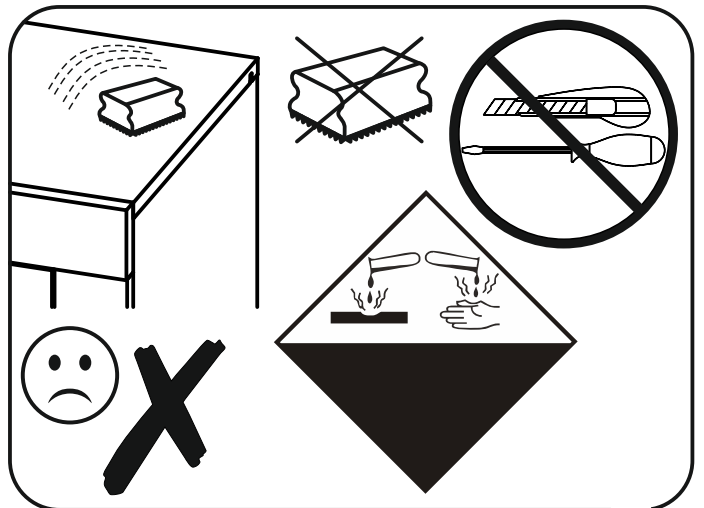
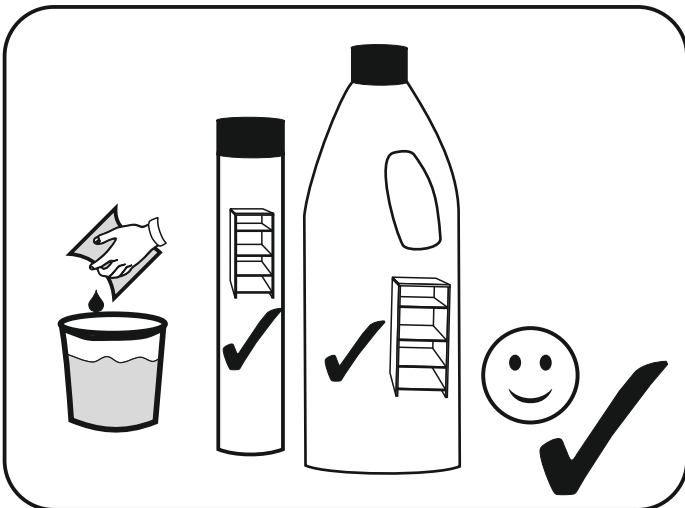
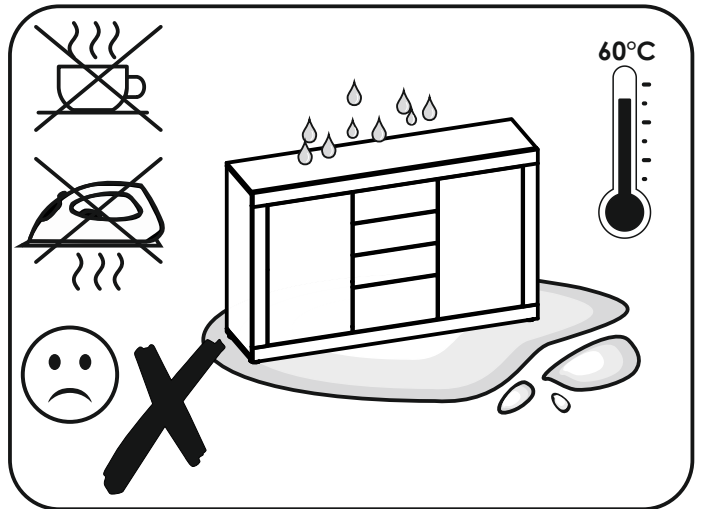
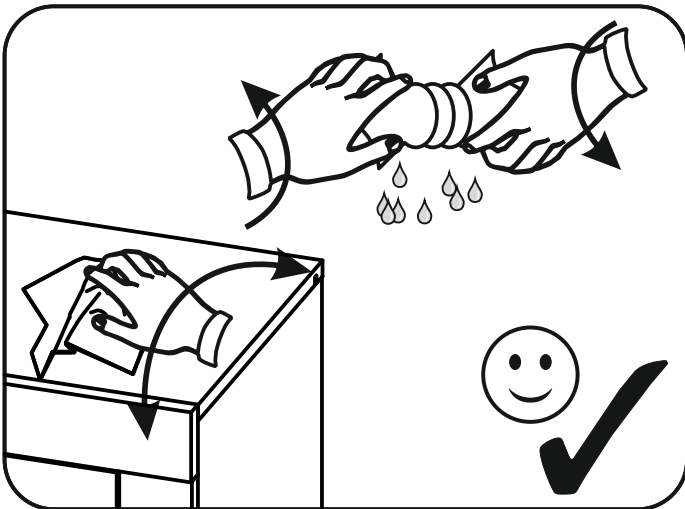
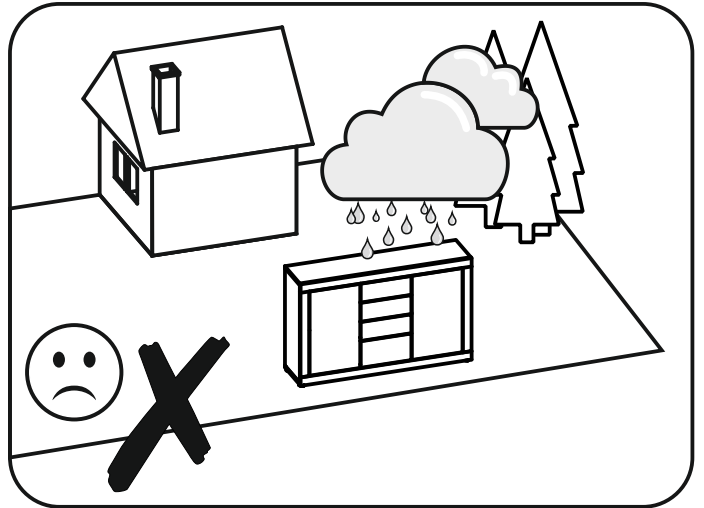
11 ▶

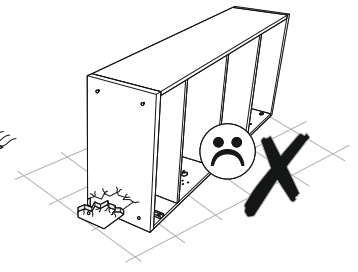
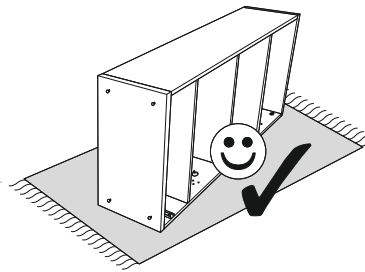
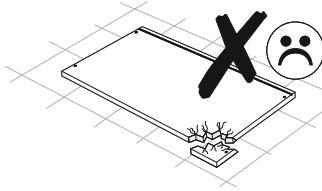
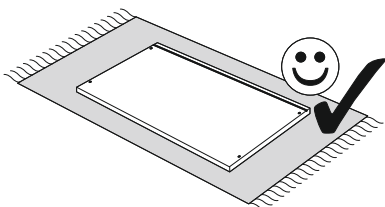
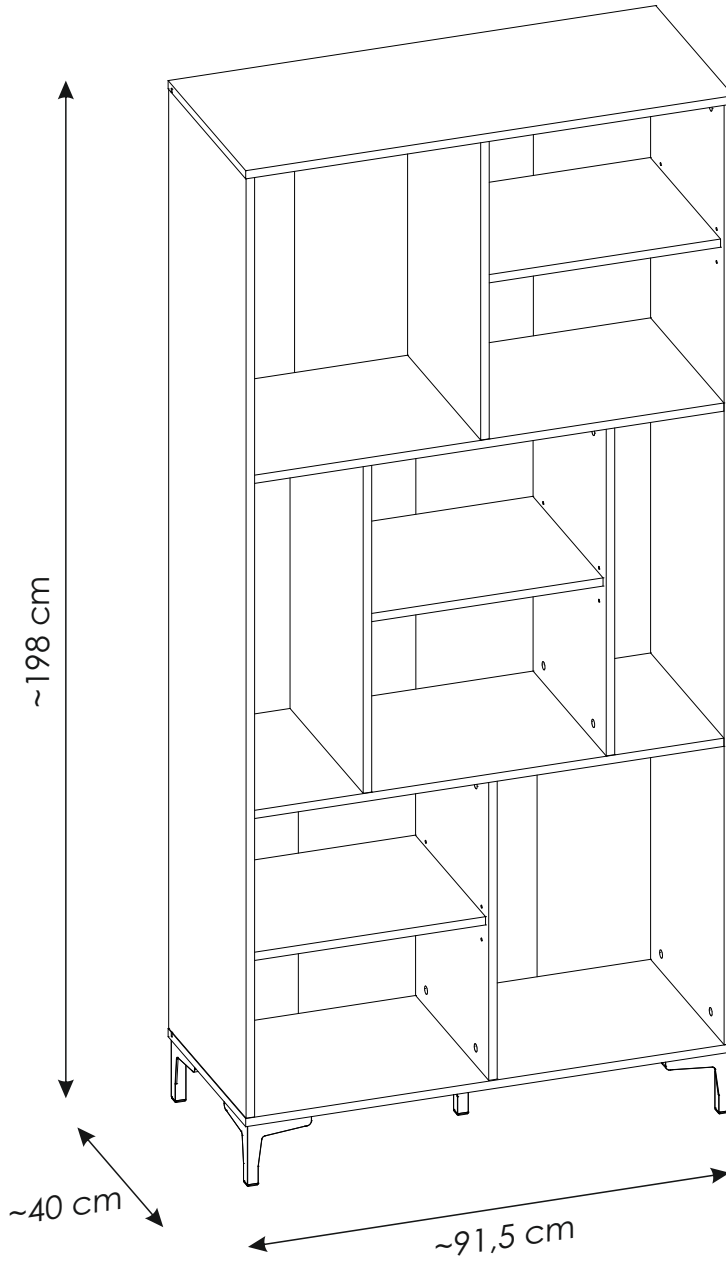
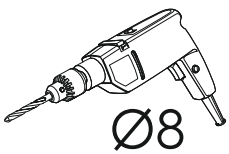
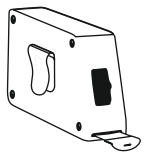
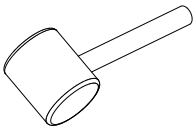
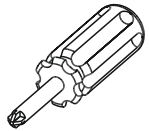
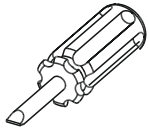
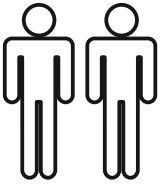


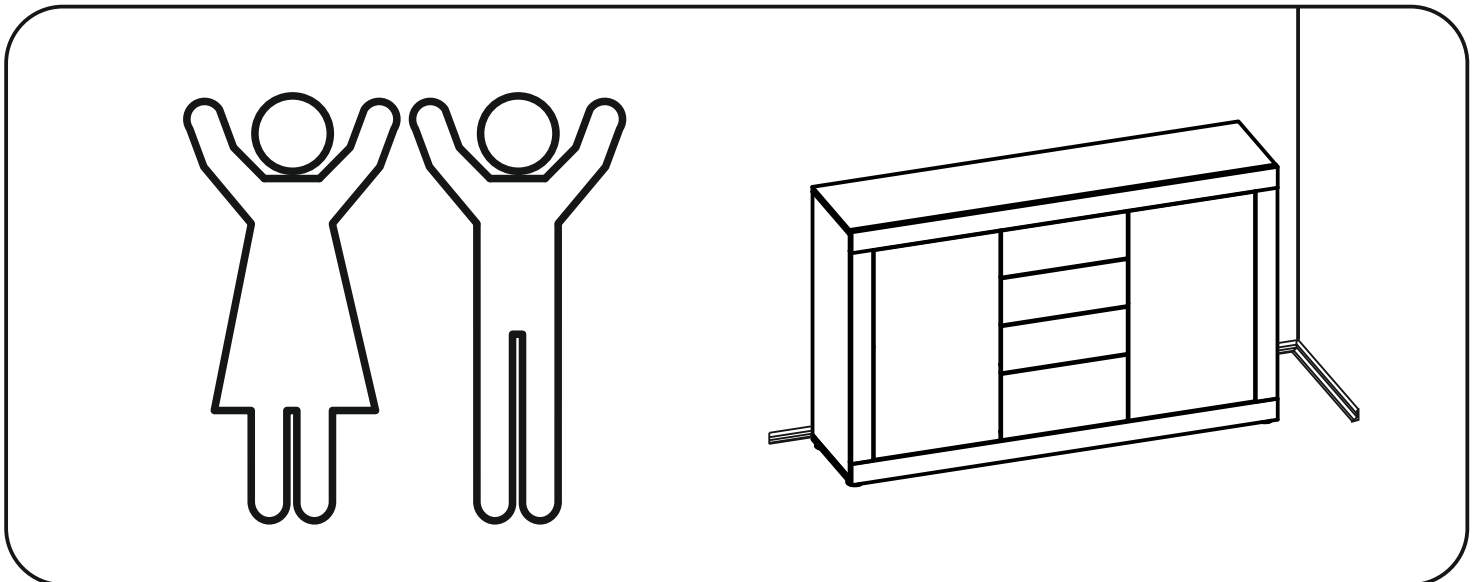
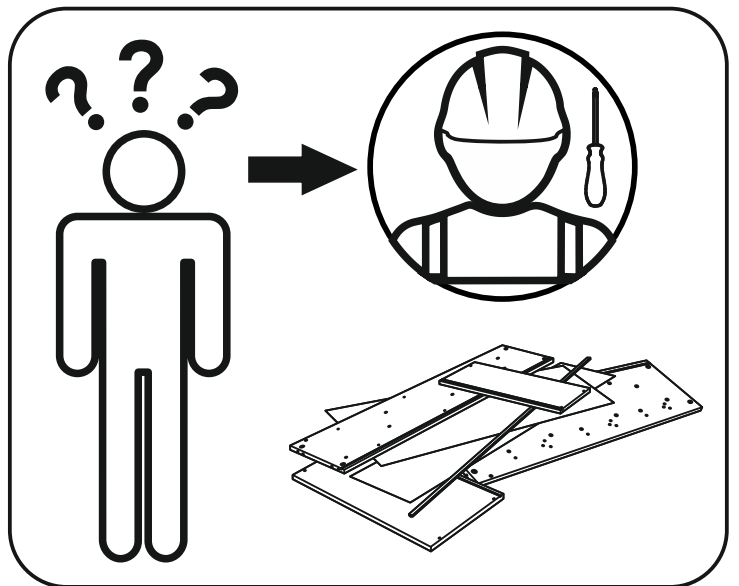
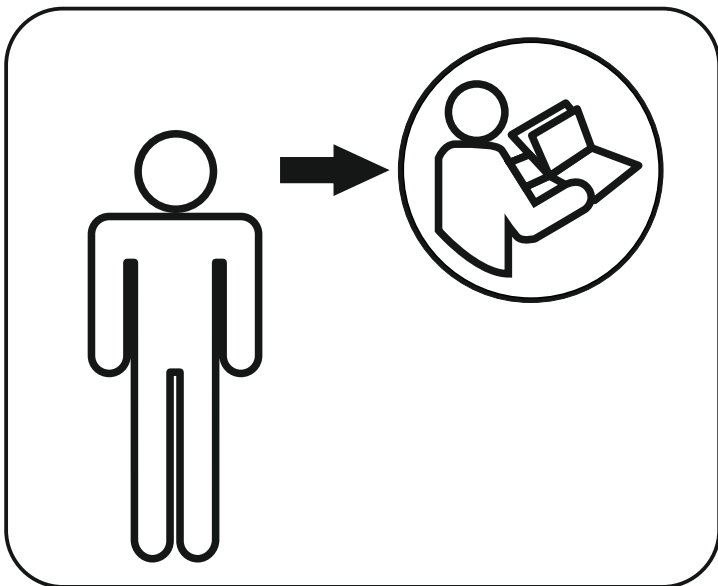
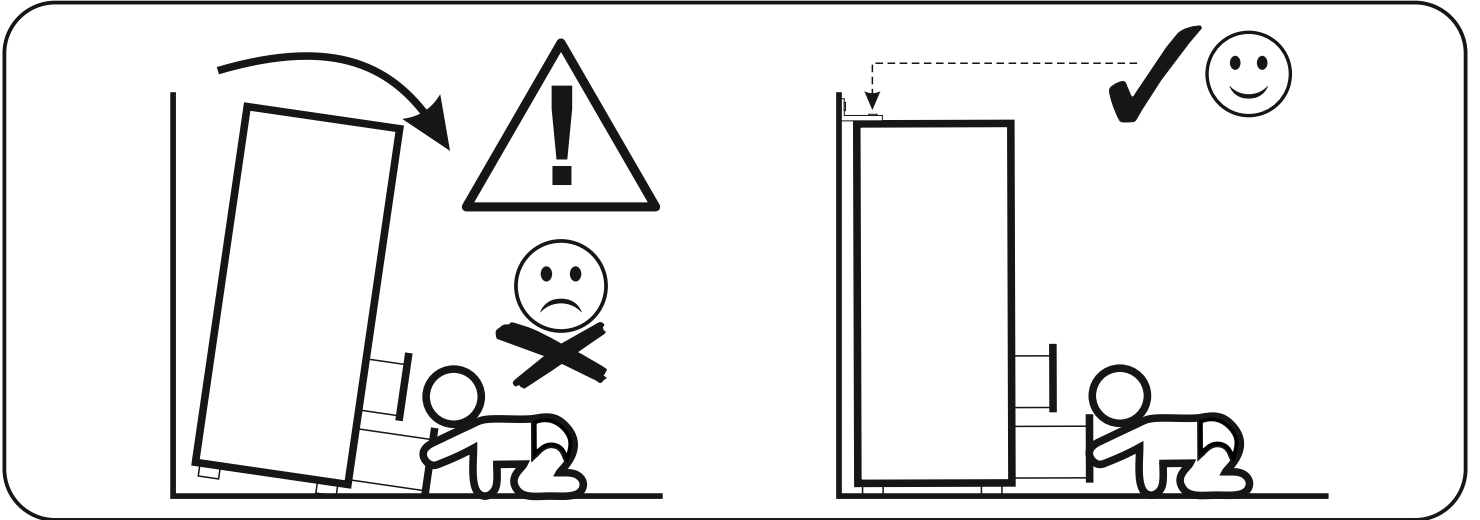
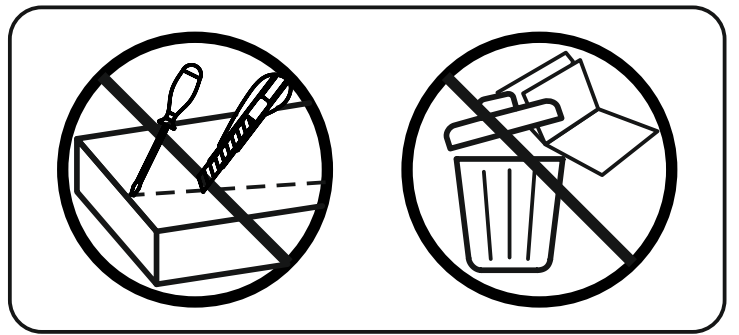
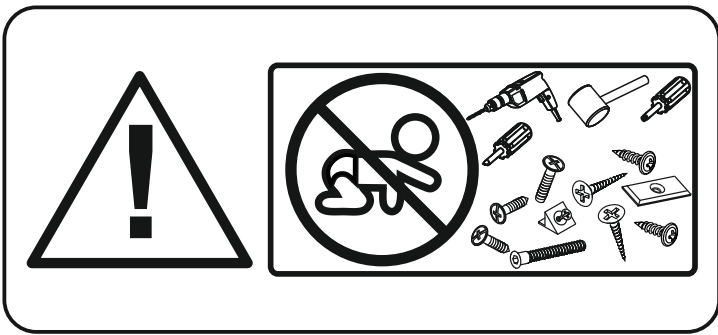


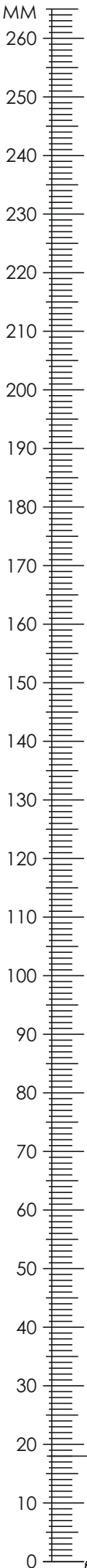
B



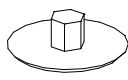

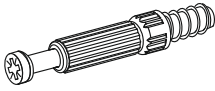
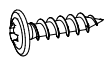
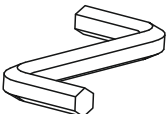


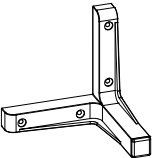
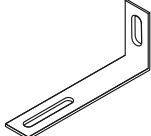
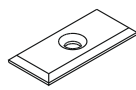
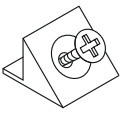
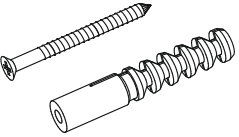
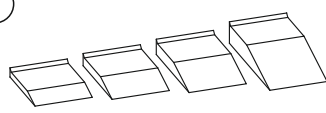


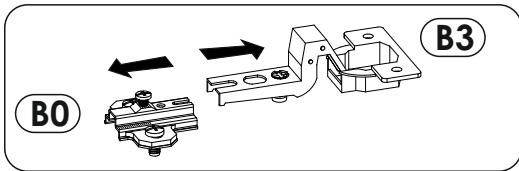


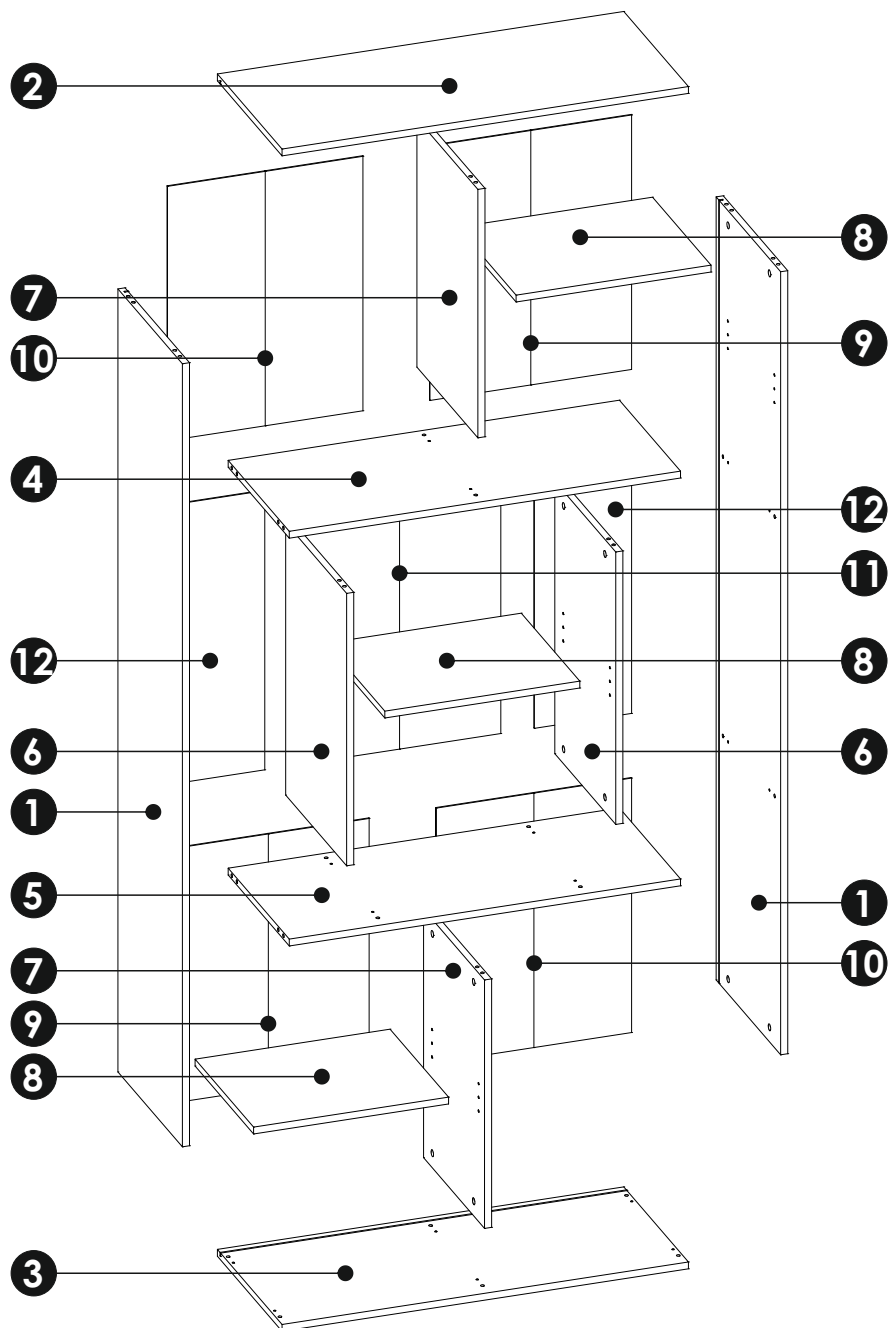
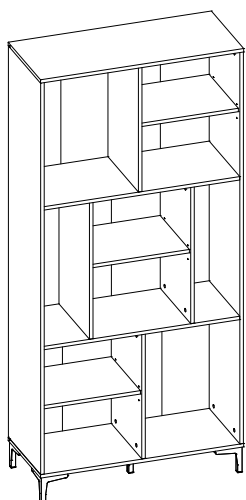






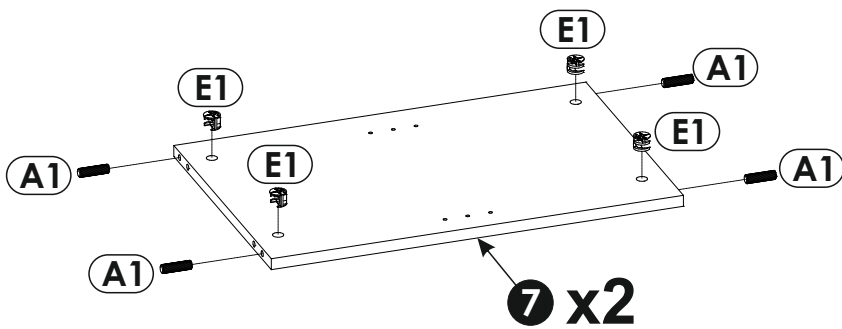
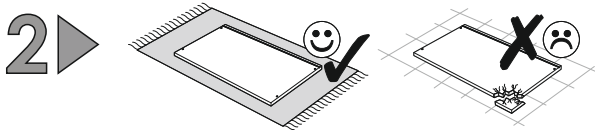
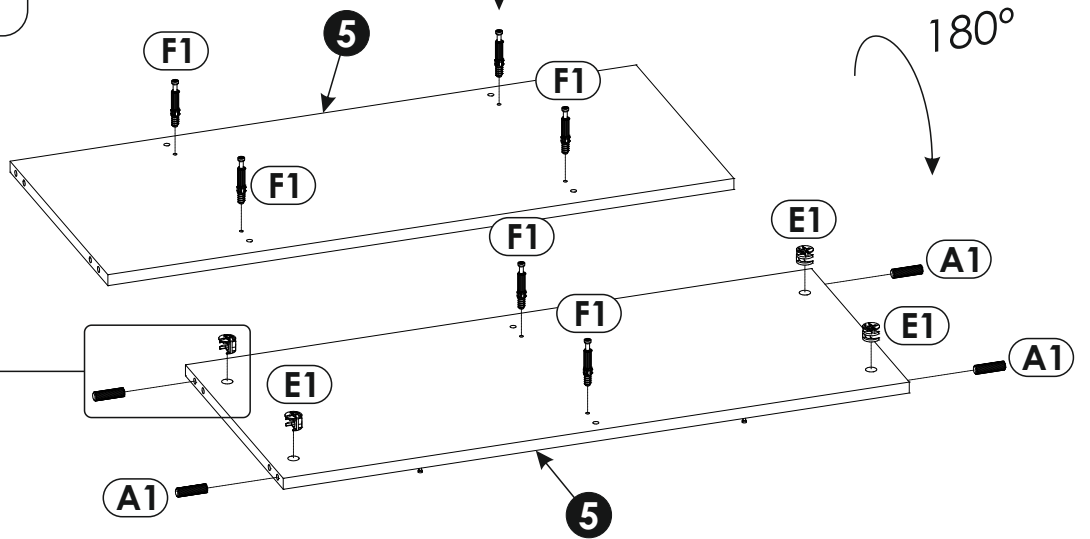
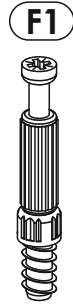
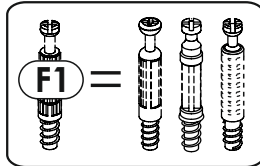
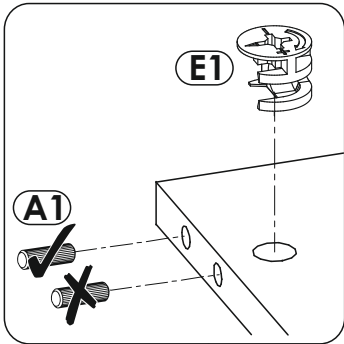
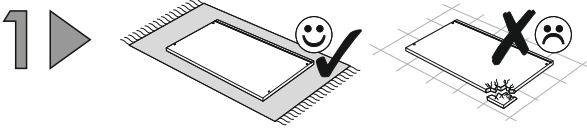
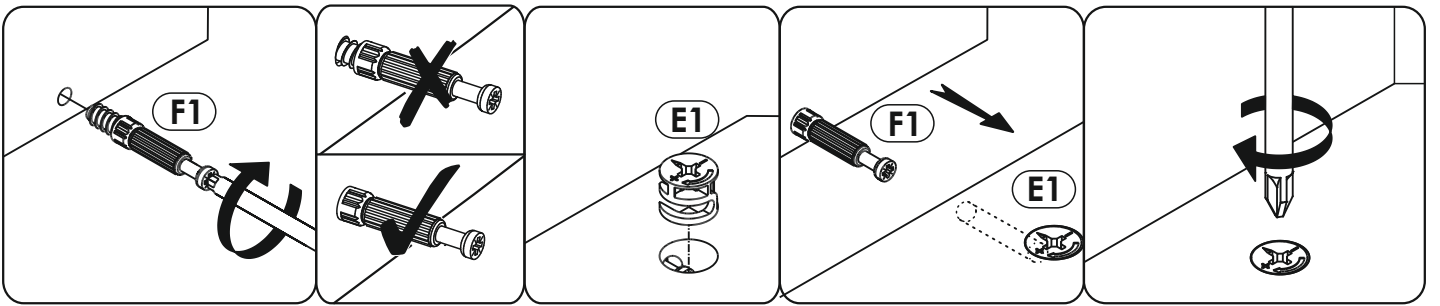
A1 8 x 35 mm x32 	D6 x12 	E0 Ø16 x32 
E1 15 x 12 mm x32 	F1 6 x 34 mm x32 	I2 4 x 16 mm x2 
M x1 	N1 3 x 16 mm x30 	N7 3,5 x 30 mm x20 
O12 x5 	Q9 x2 	R1 x28 
R4 x12 	S13 x2  Ø8	Z x1 

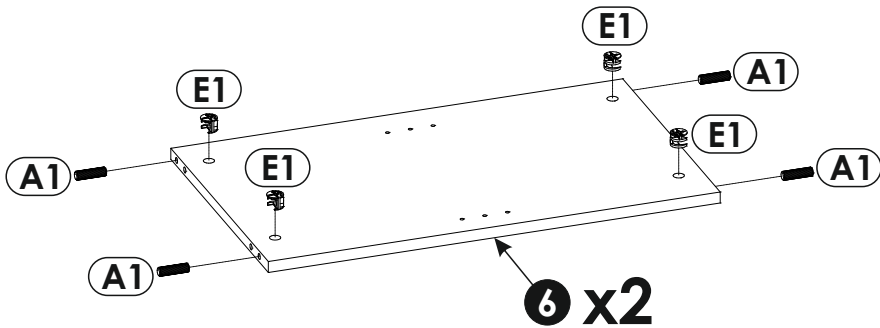
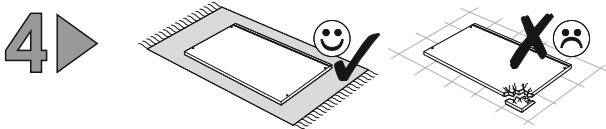
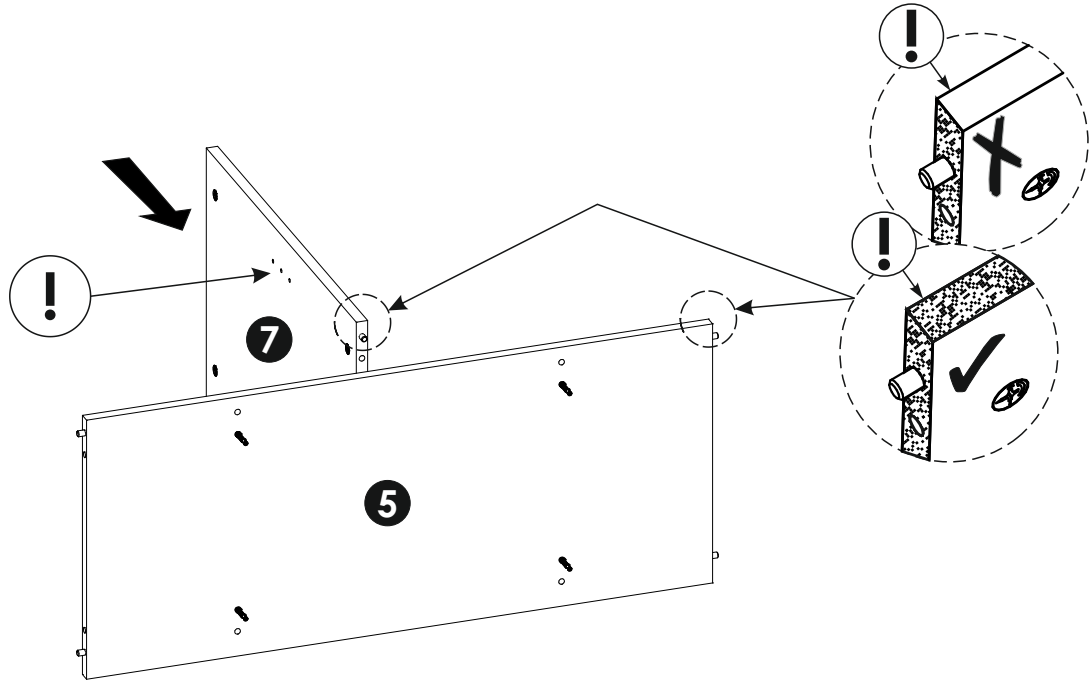
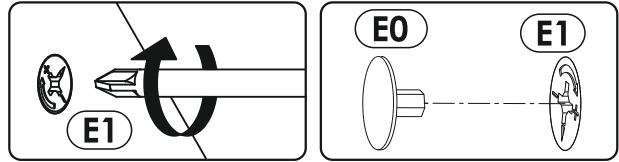
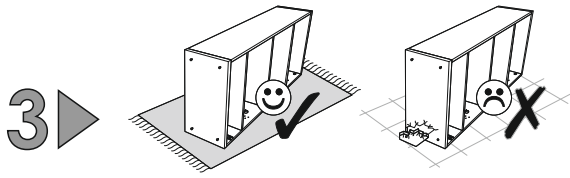


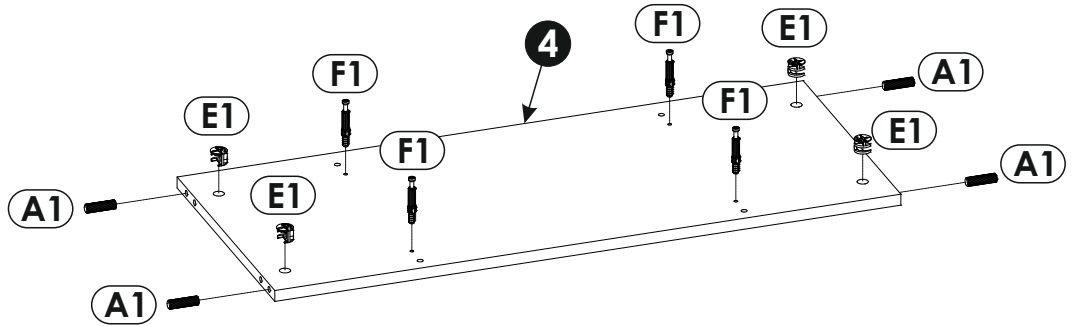
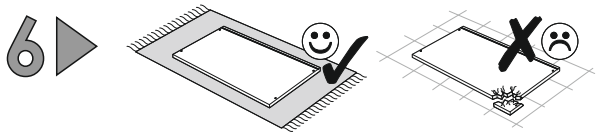
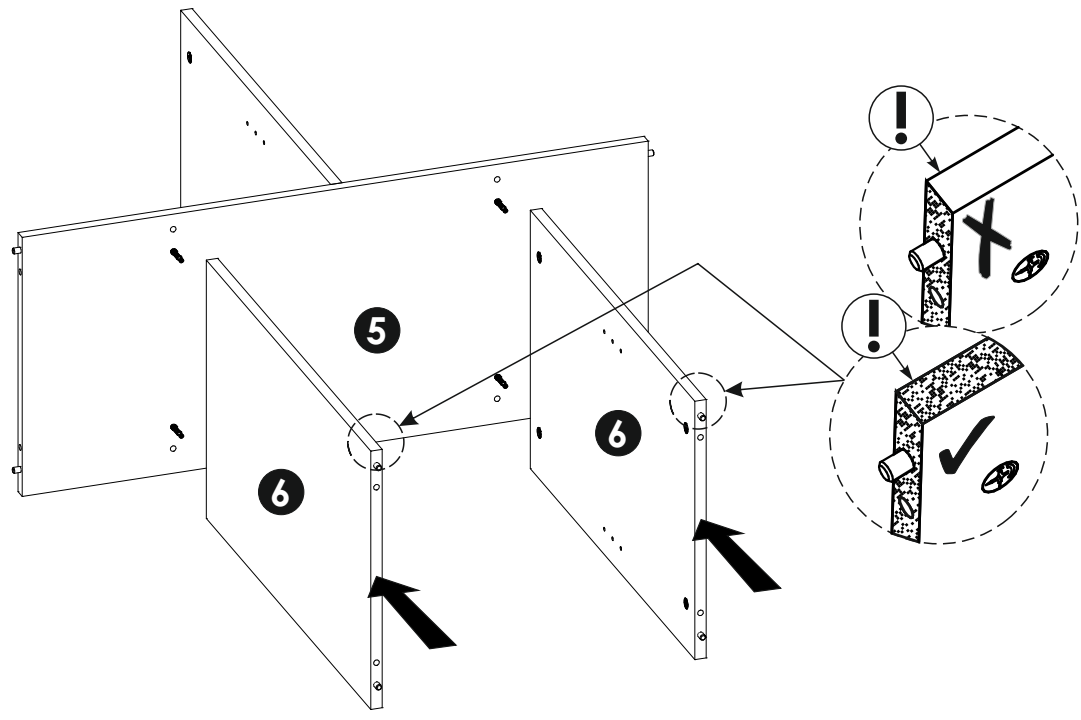
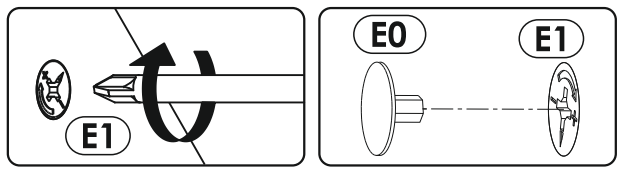
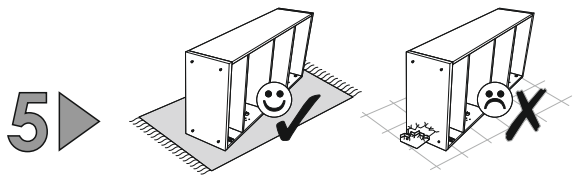


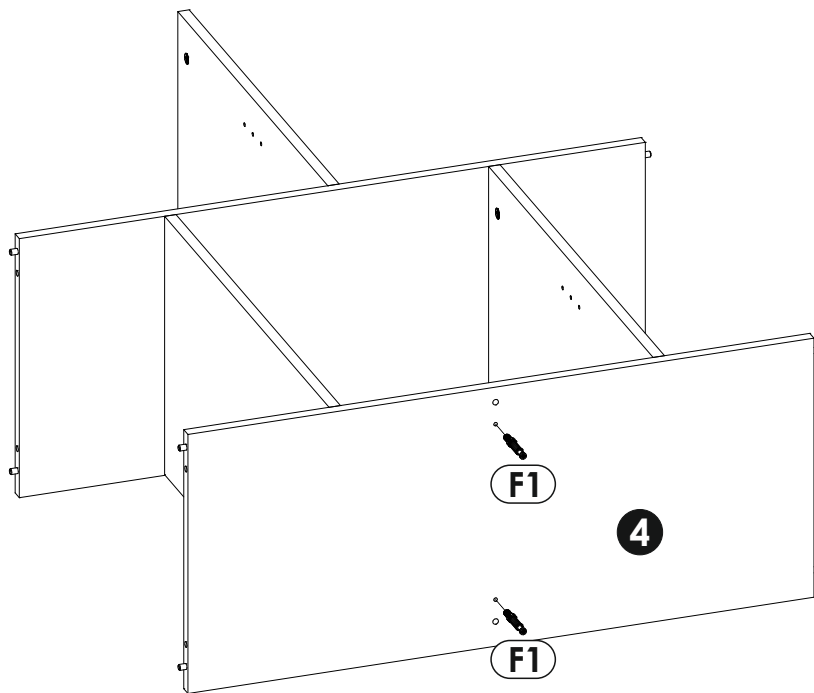
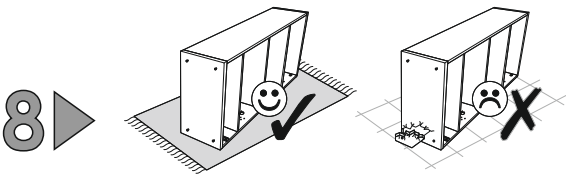
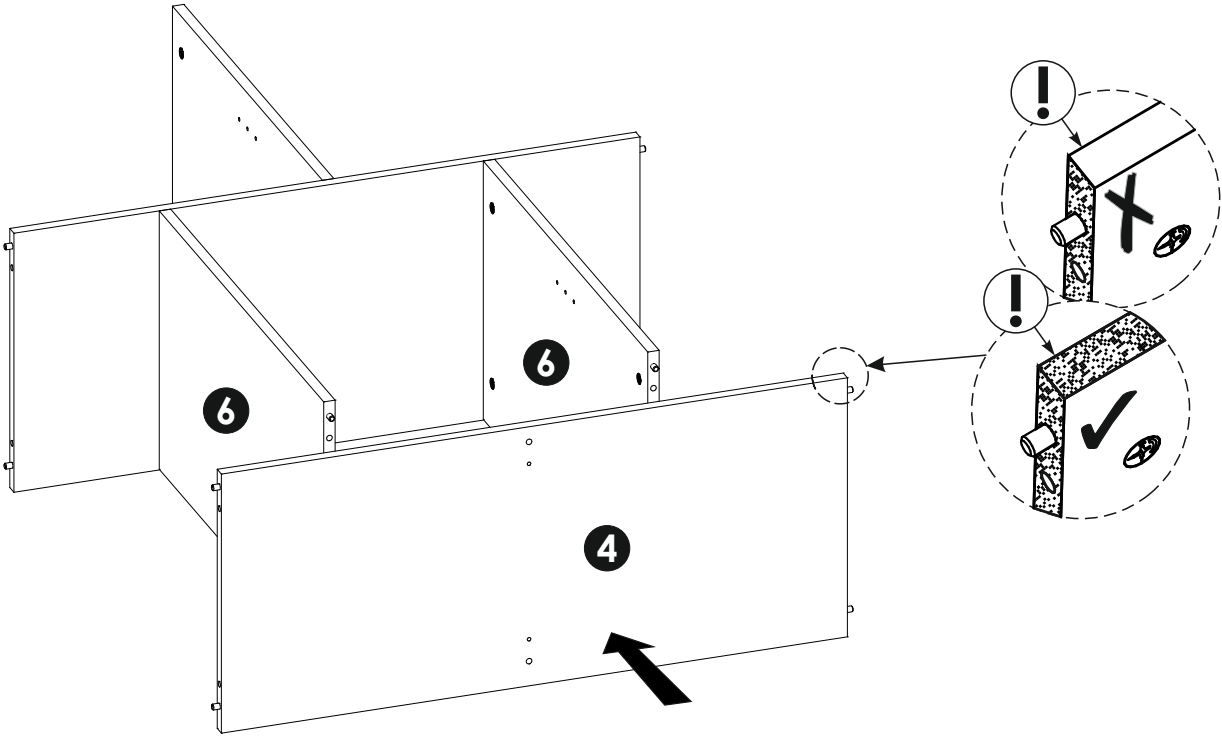
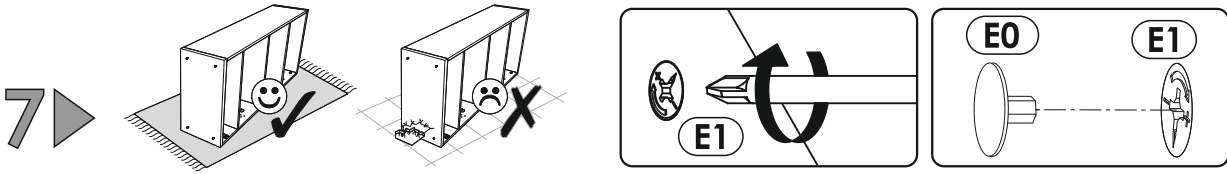
1	1828	399	16	x2	2/2
2	915	400	16	x1	1/2
3	915	400	16	x1	1/2
4	881	378	16	x1	2/2
5	881	378	16	x1	2/2
6	636	377	16	x2	1/2

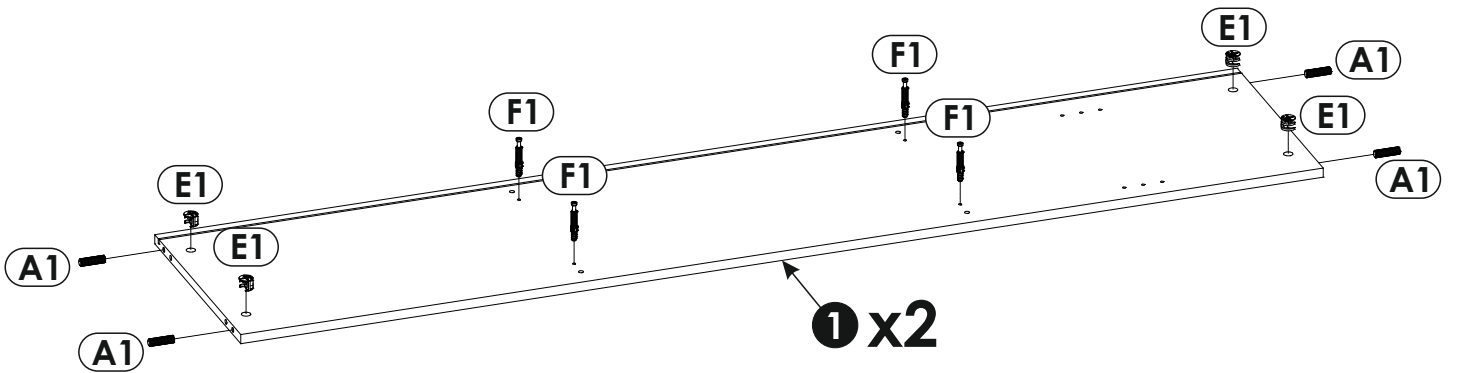
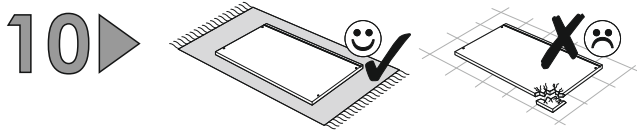
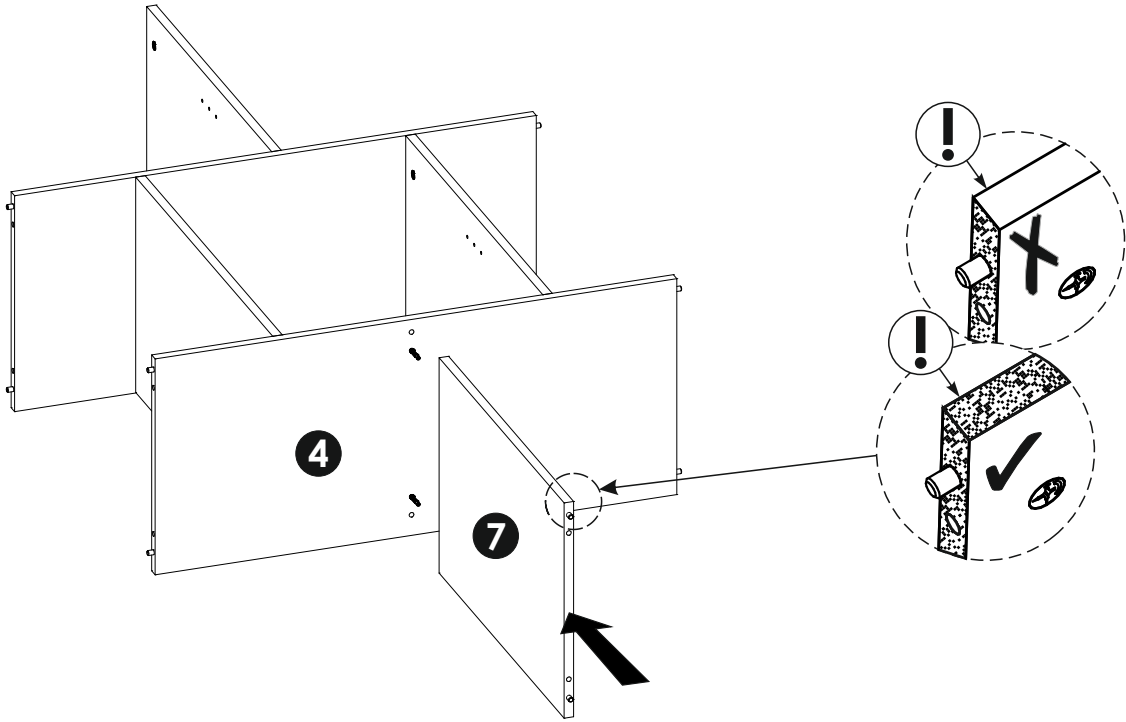
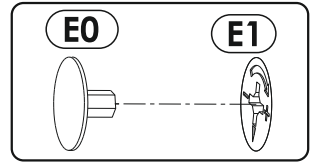
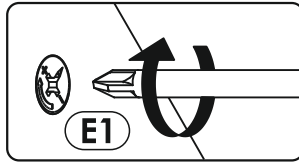
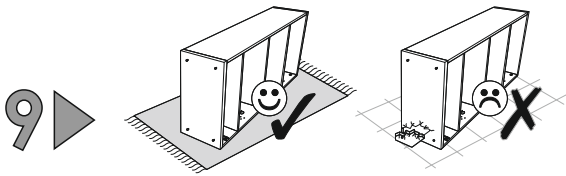
7	580	377	16	x2	1/2
8	439	362	16	x3	2/2
9	594	454	3	x2	1/2
10	594	440	3	x2	1/2
11	652	456	3	x1	1/2
12	652	219	3	x2	1/2



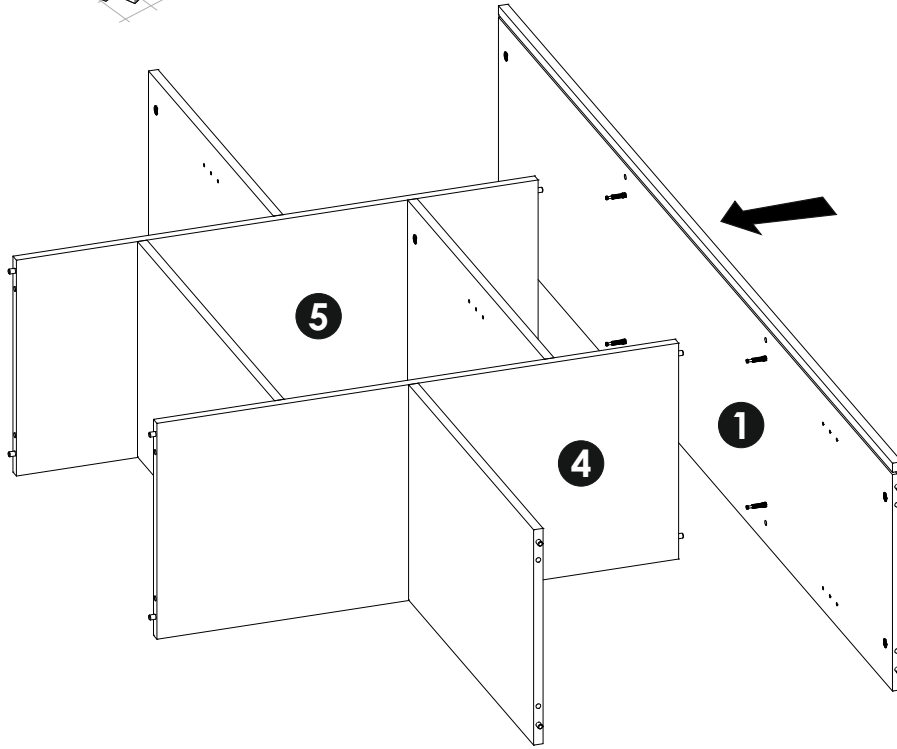
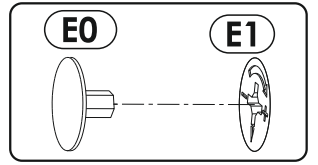
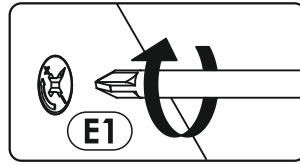
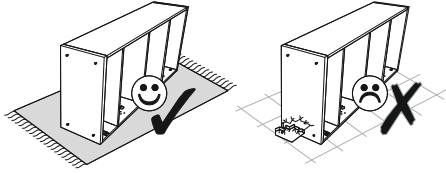




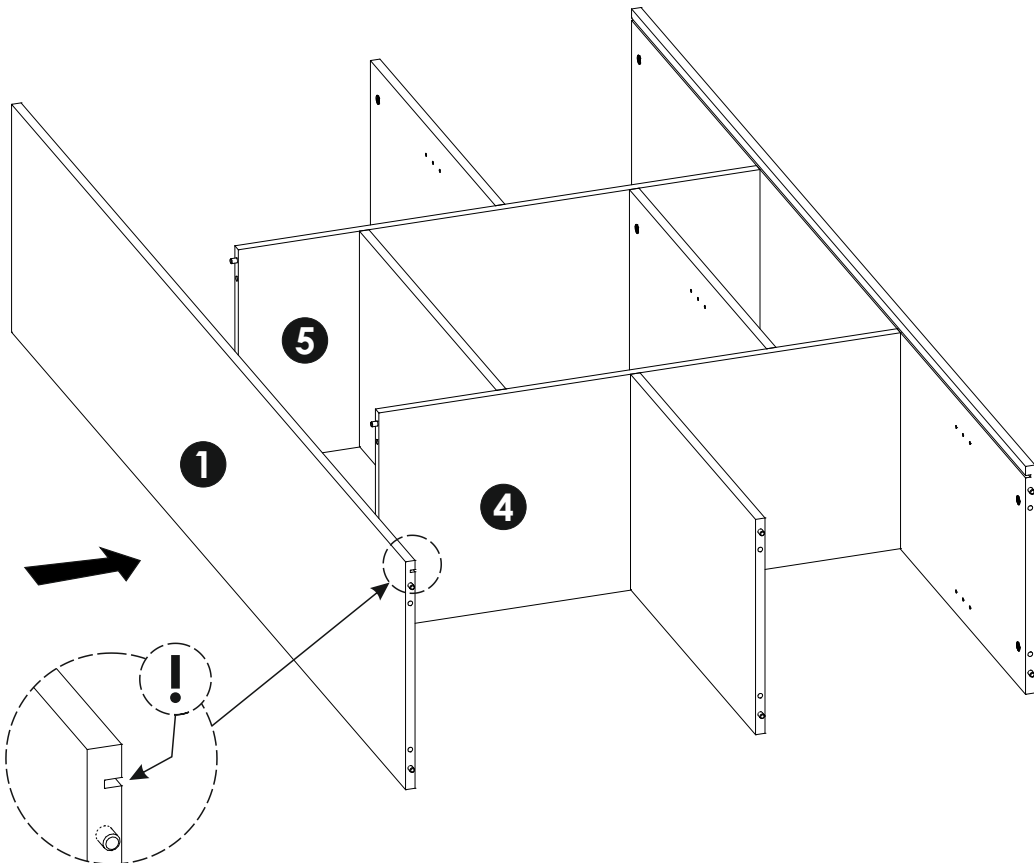
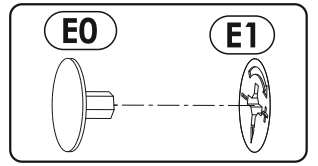
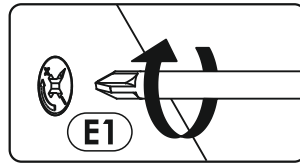
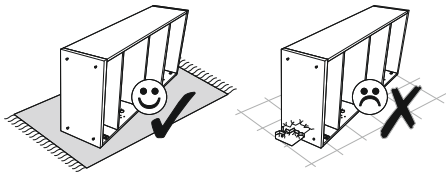




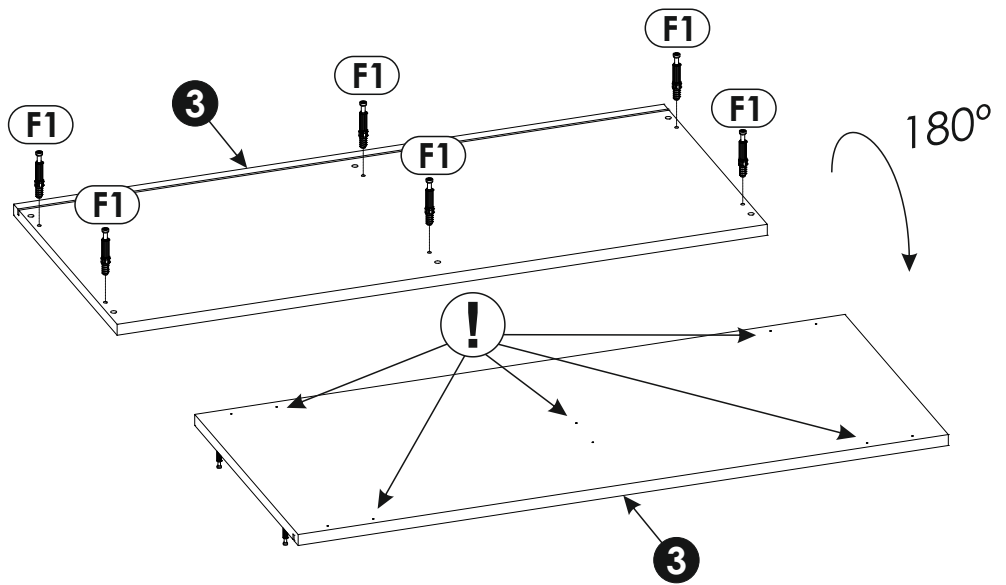
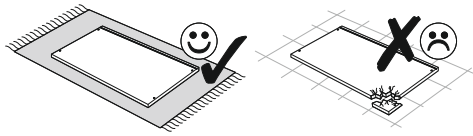
11 ▶



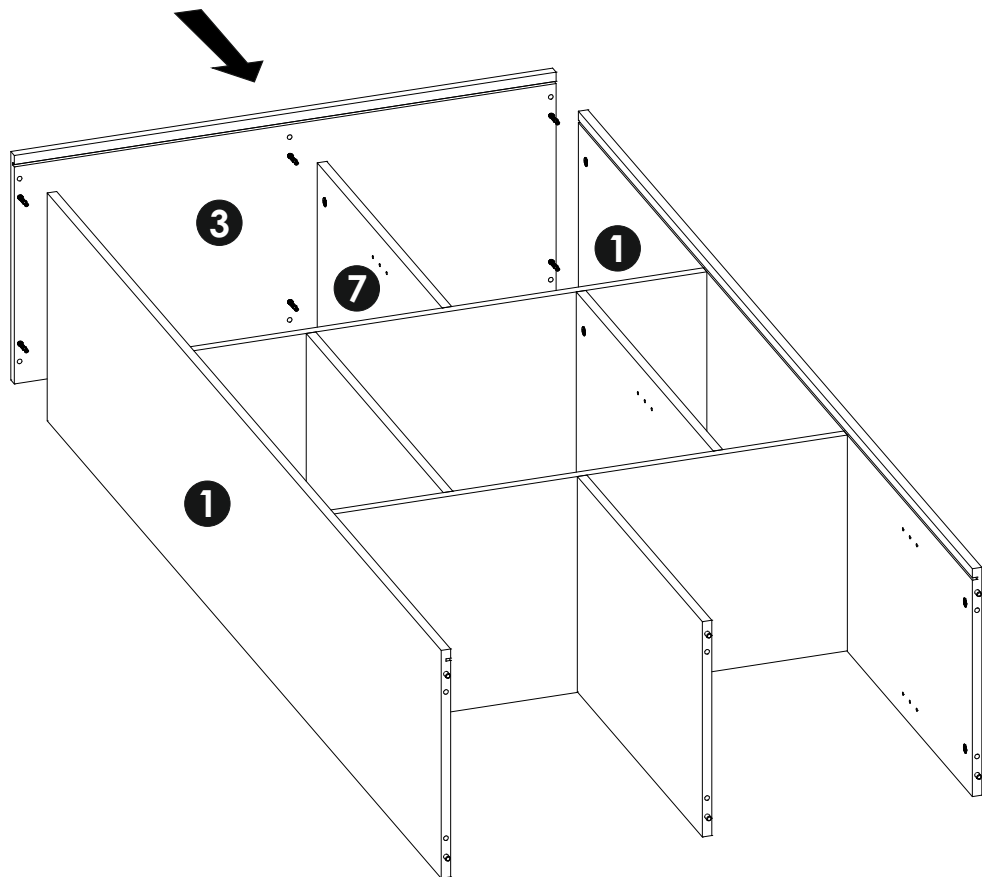
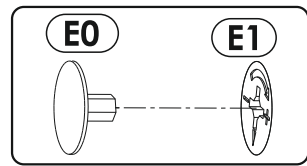
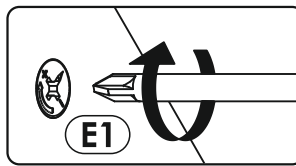
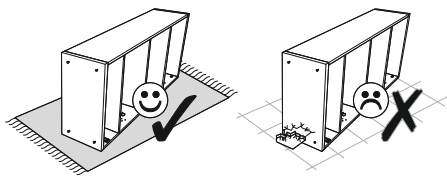
12 ▶



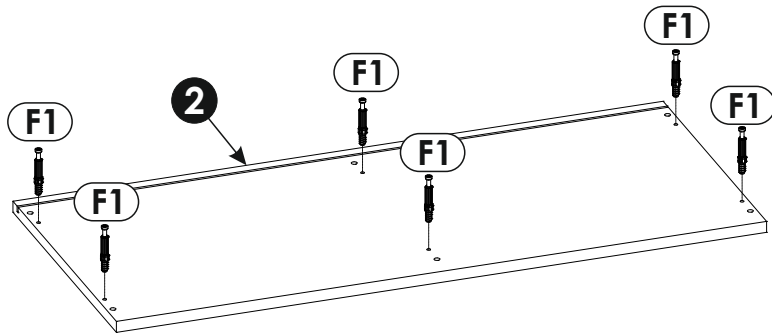
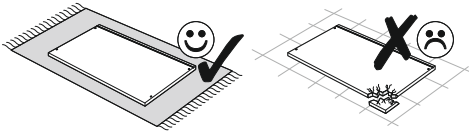
13▶



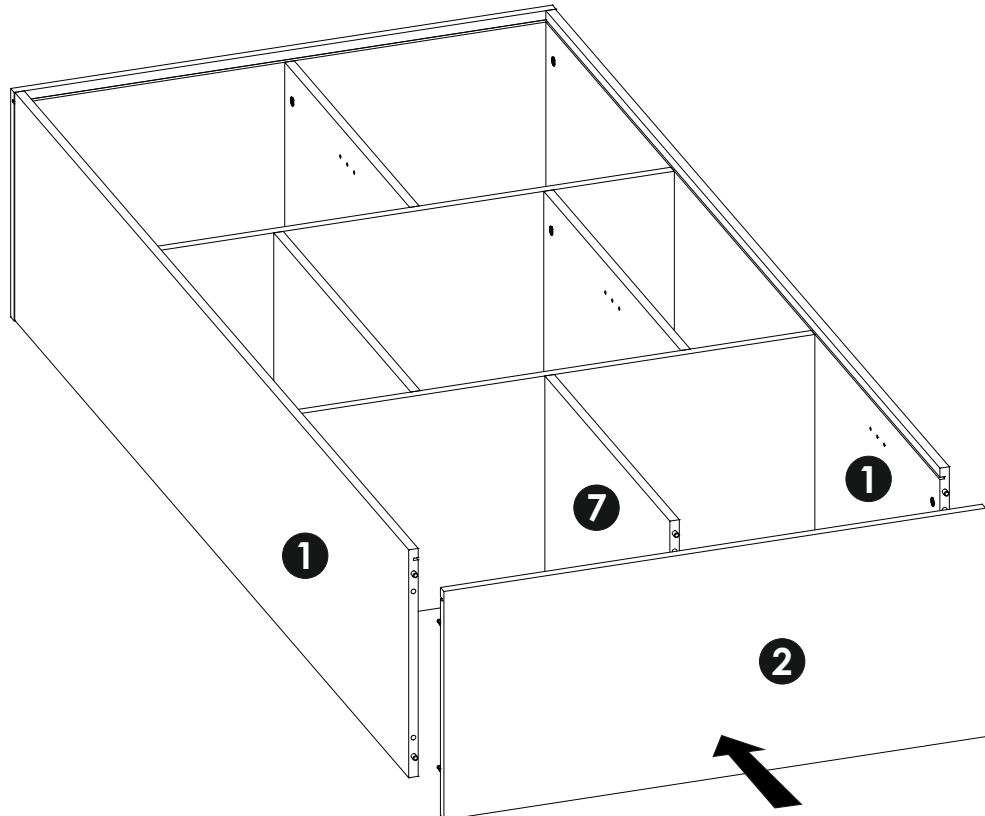
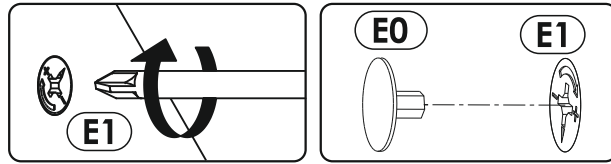
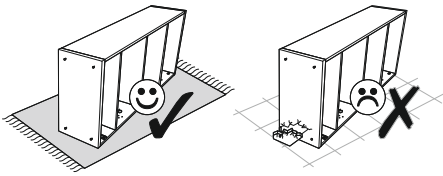
14▶



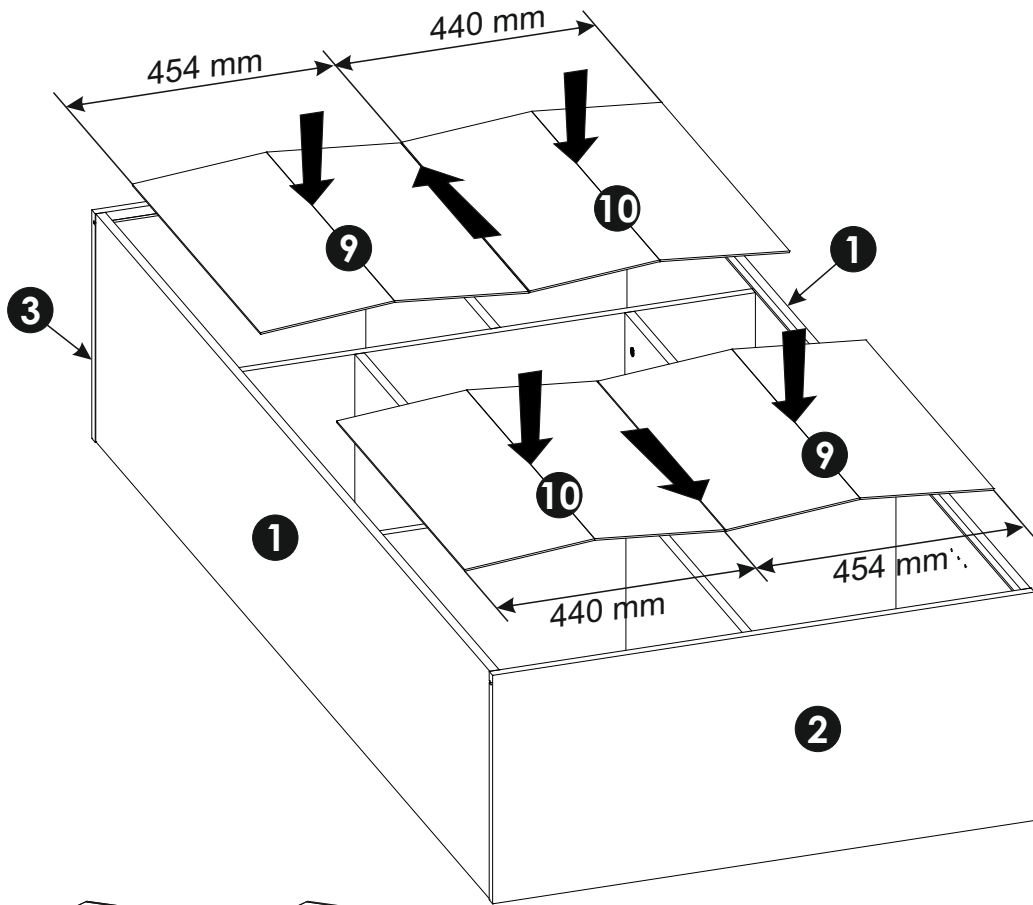
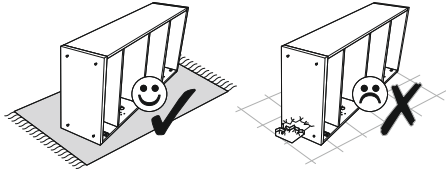
15 ▶



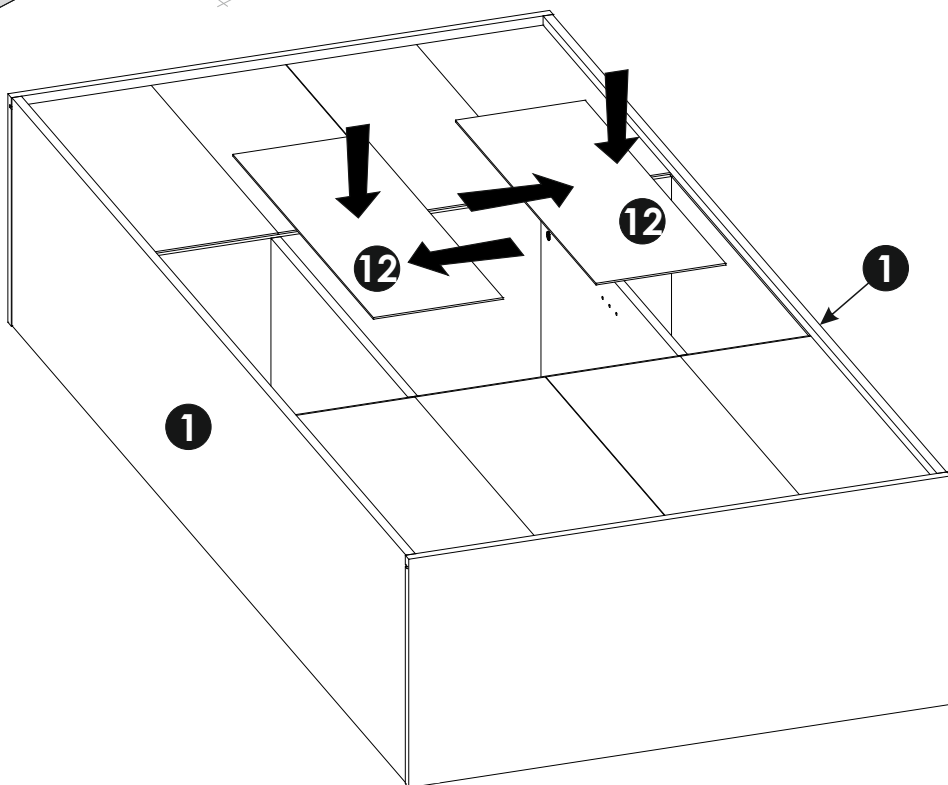
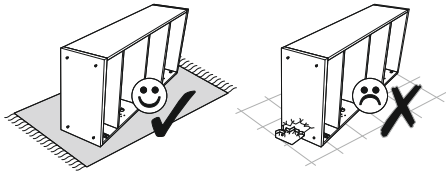
16 ▶



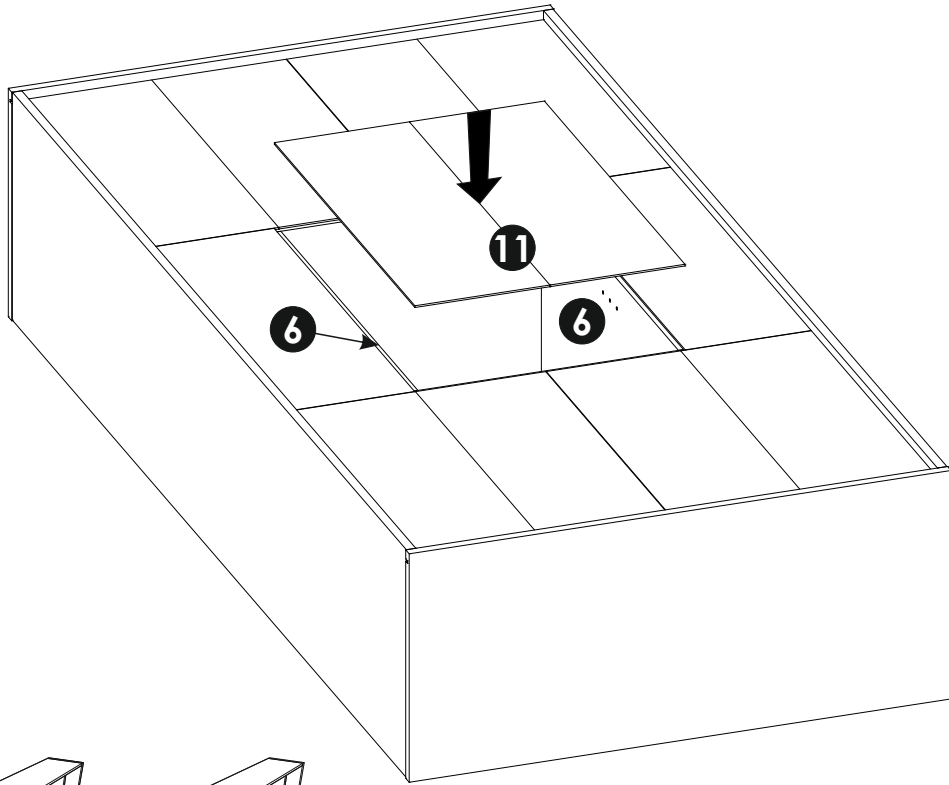
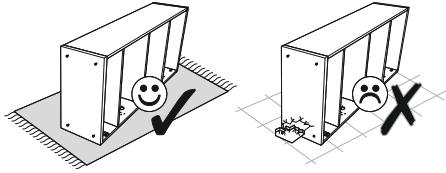
17 ▶



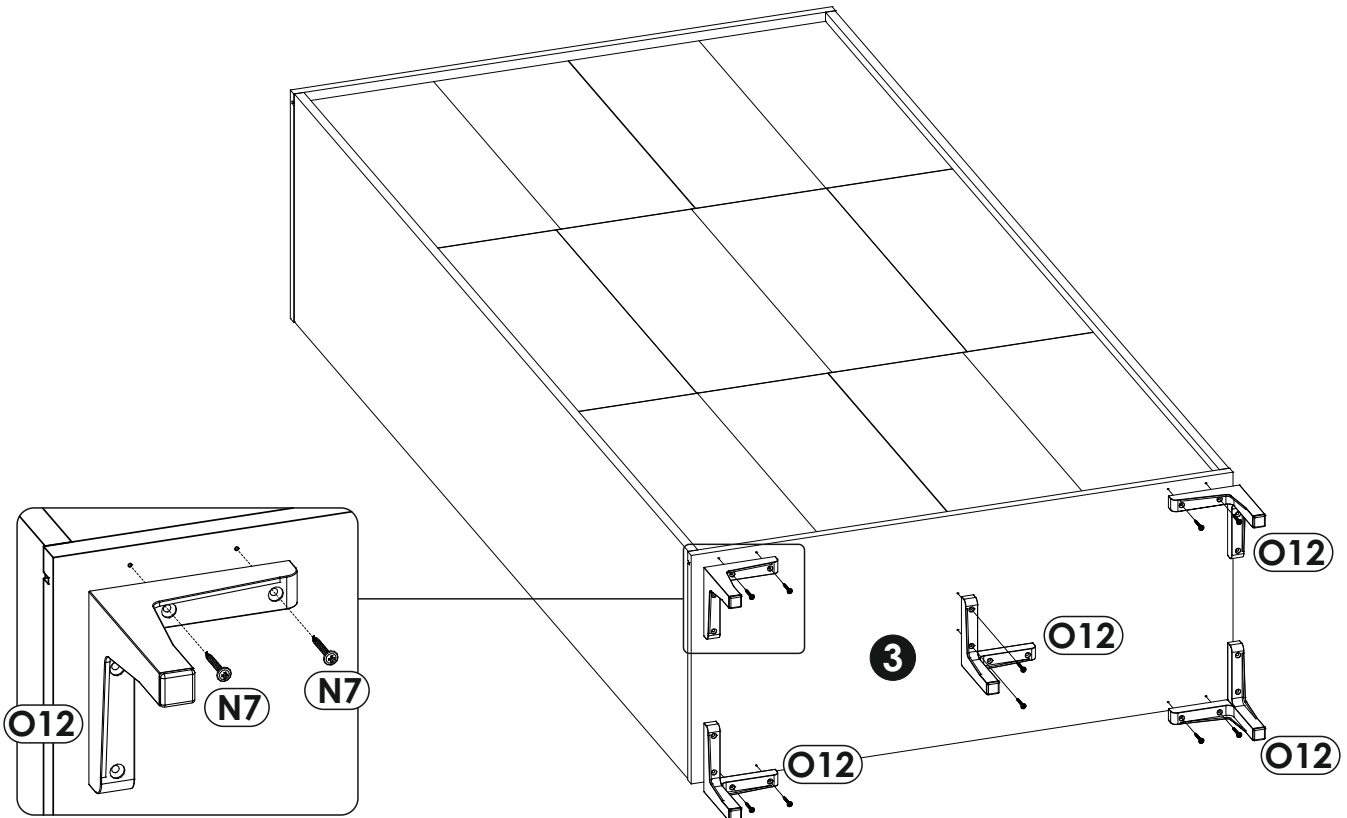
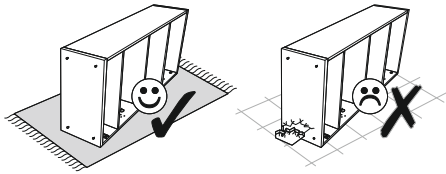
18 ▶



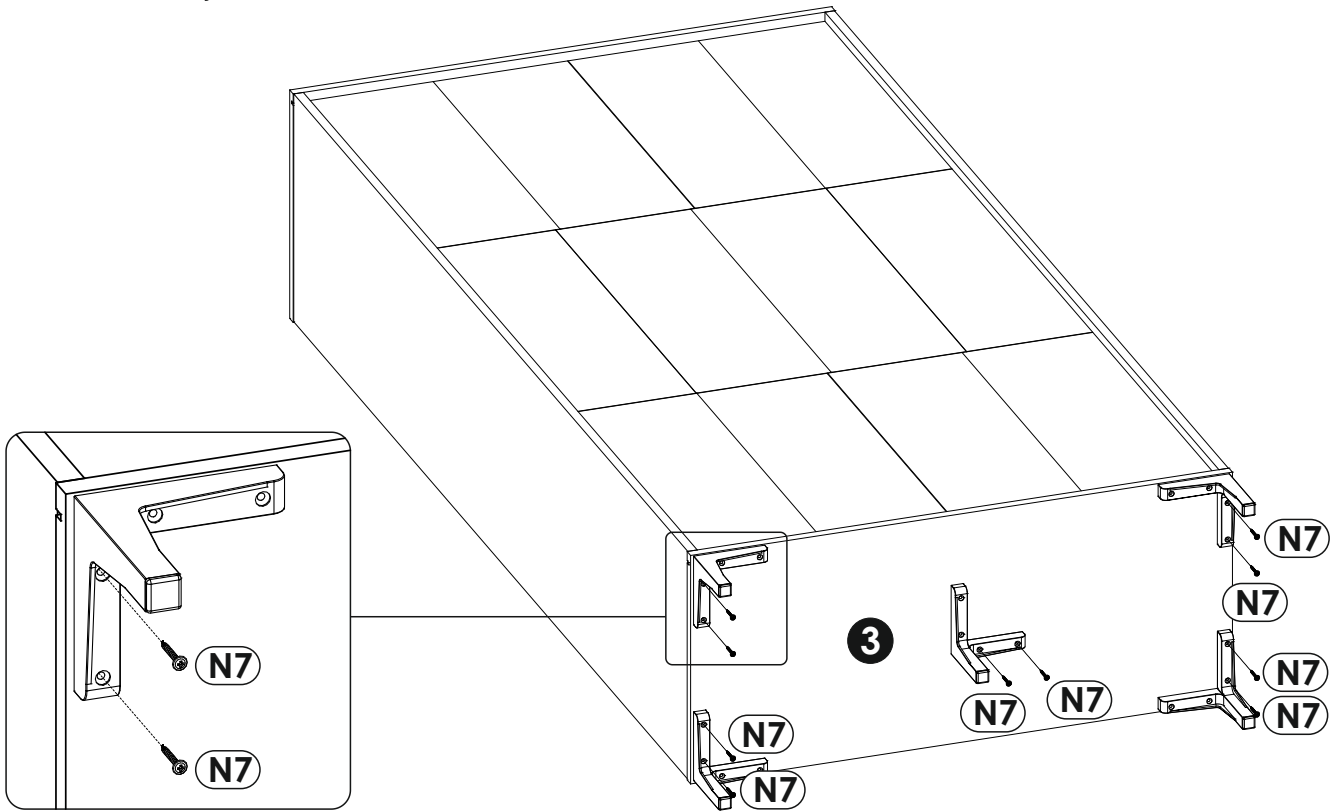
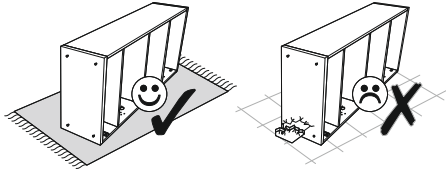
19 ▶



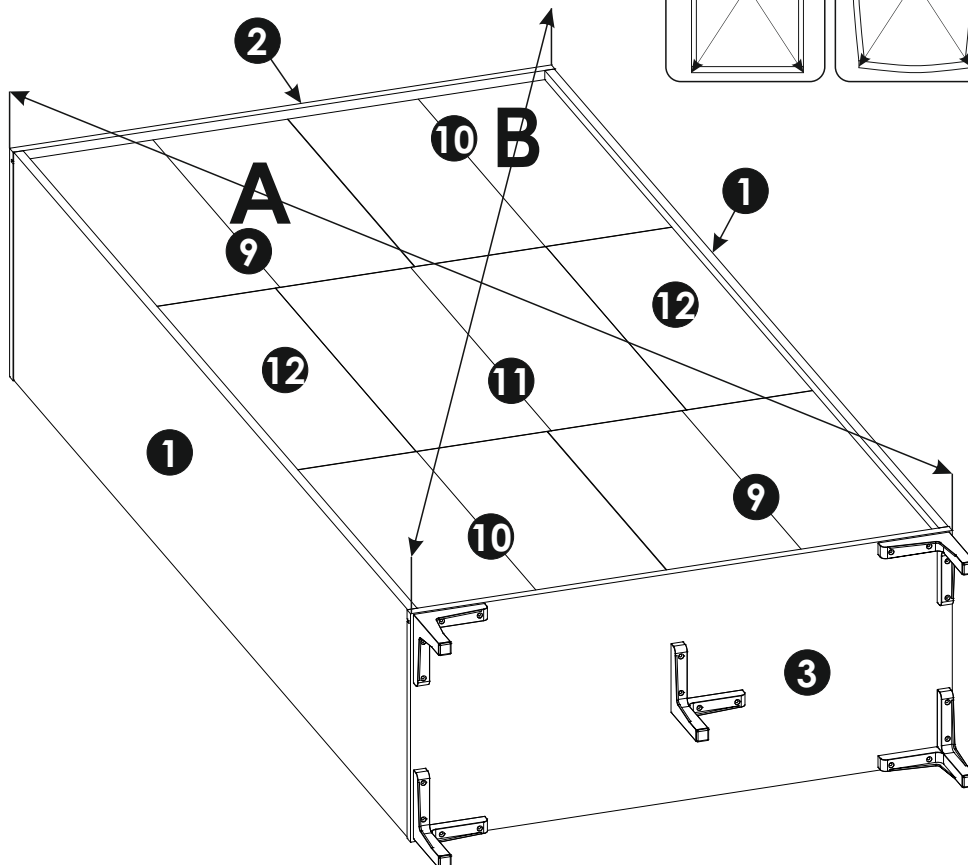
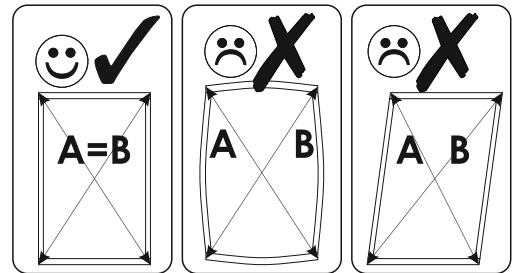
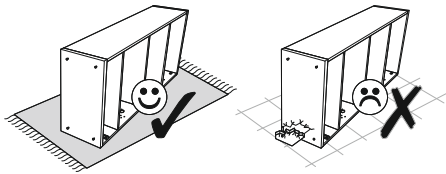
20 ▶



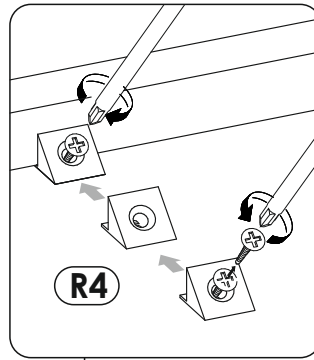
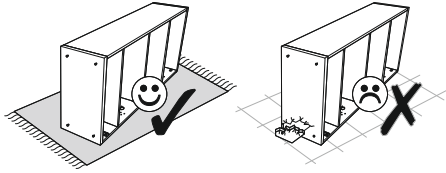
21 ▶



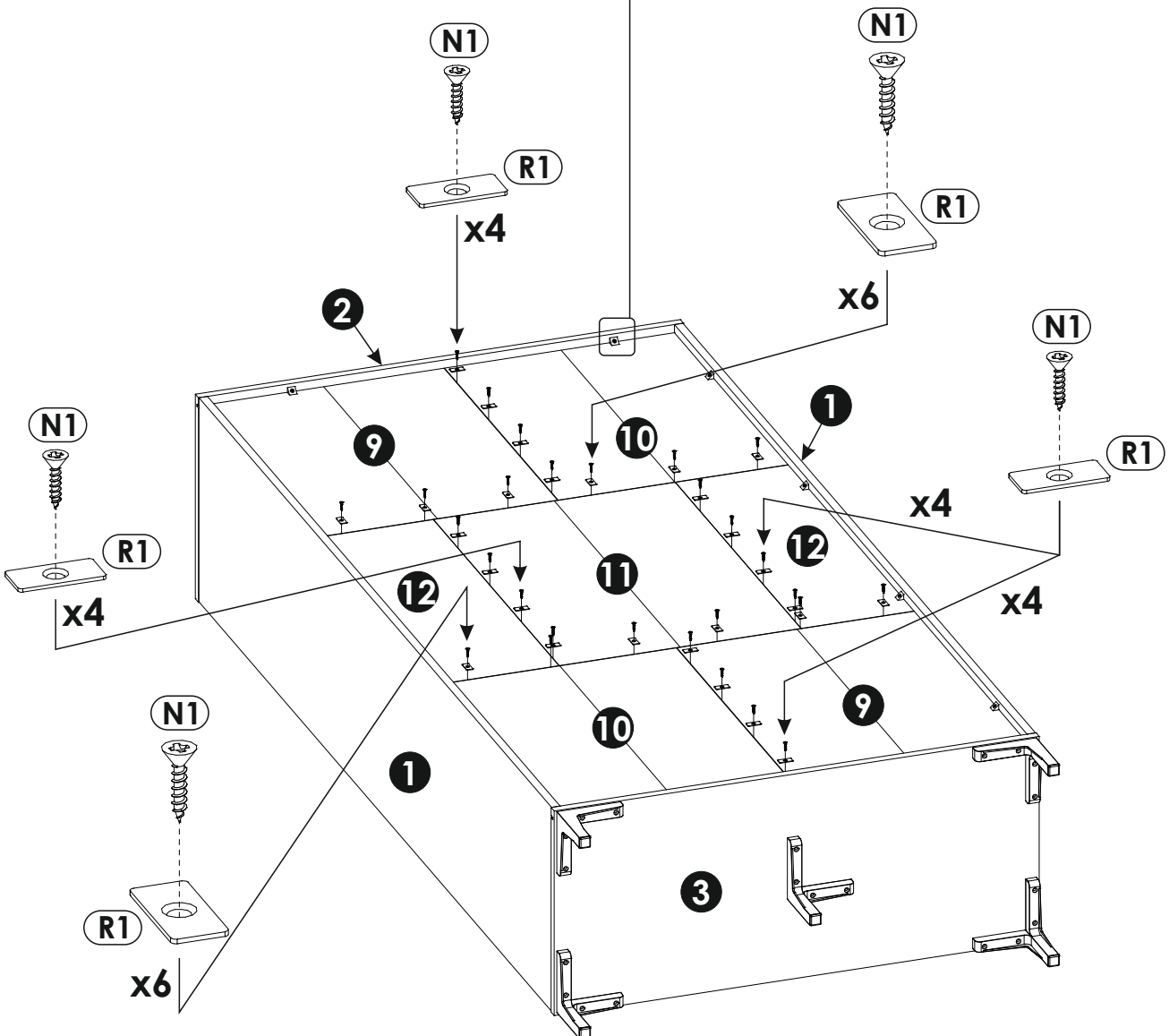
22 ▶



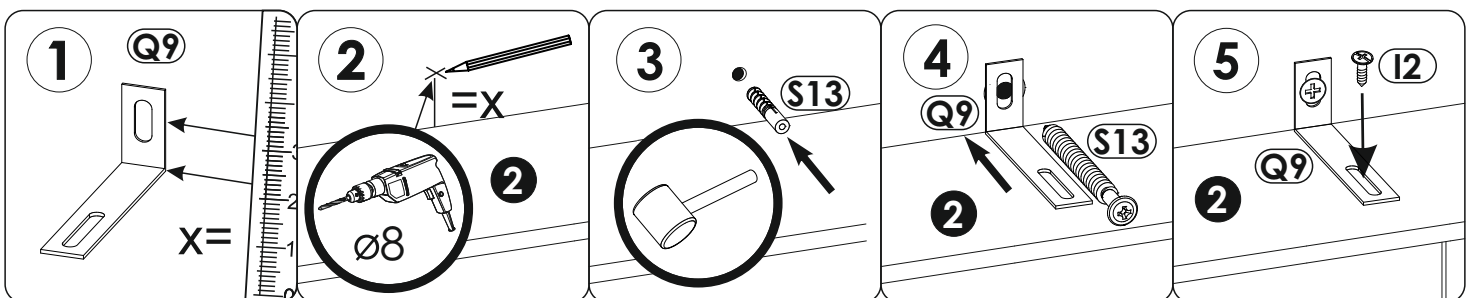
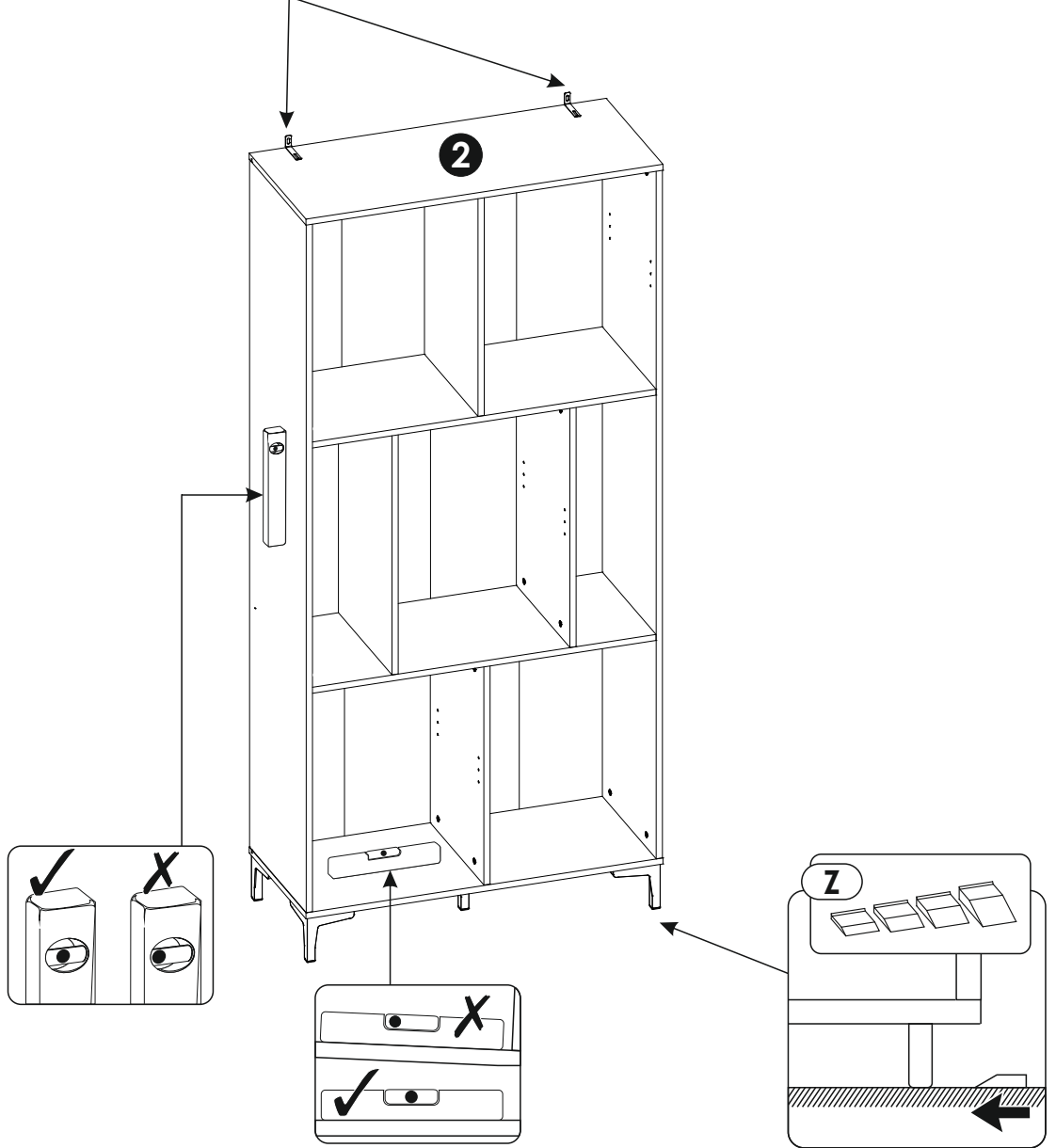
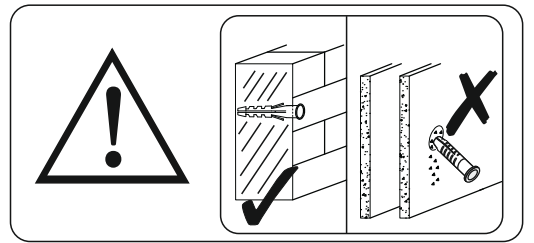
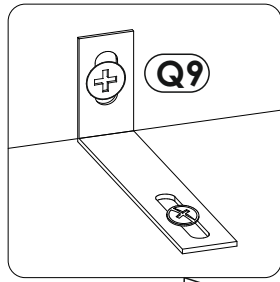
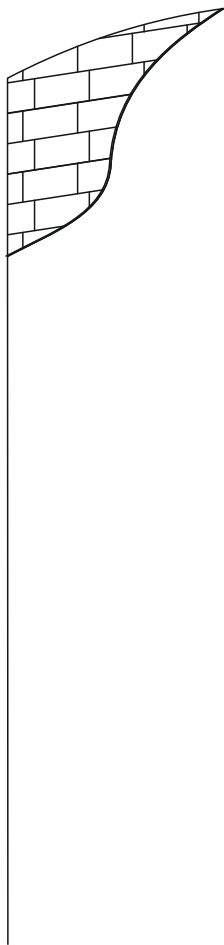
23 ▶



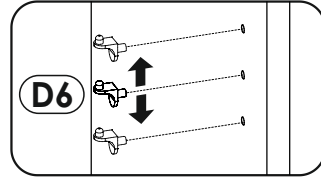
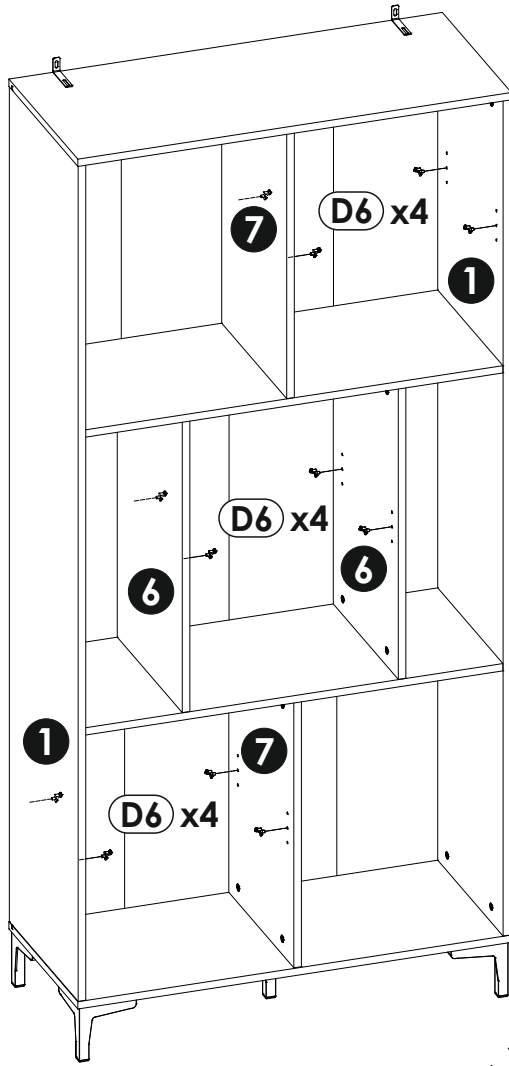
x12



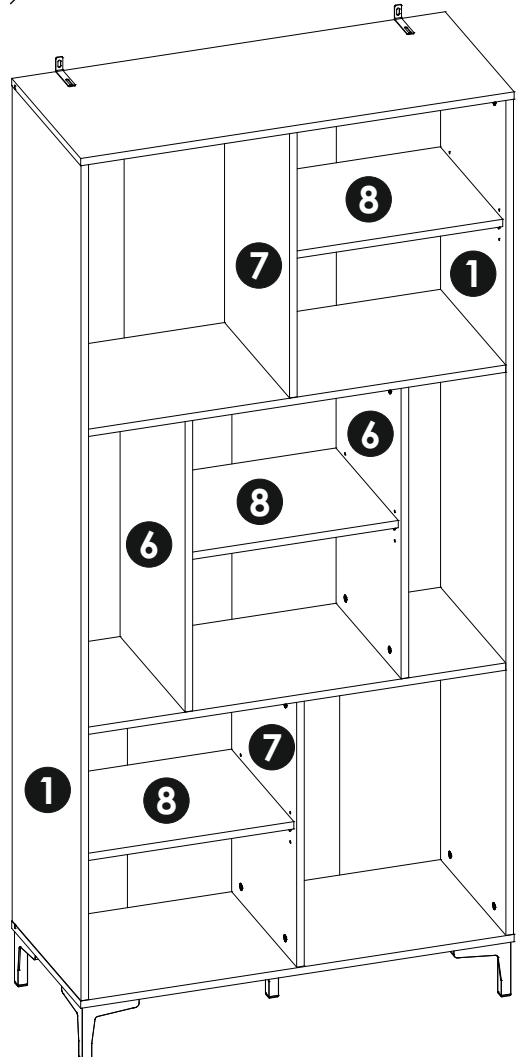
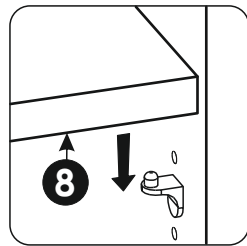
24 ▶



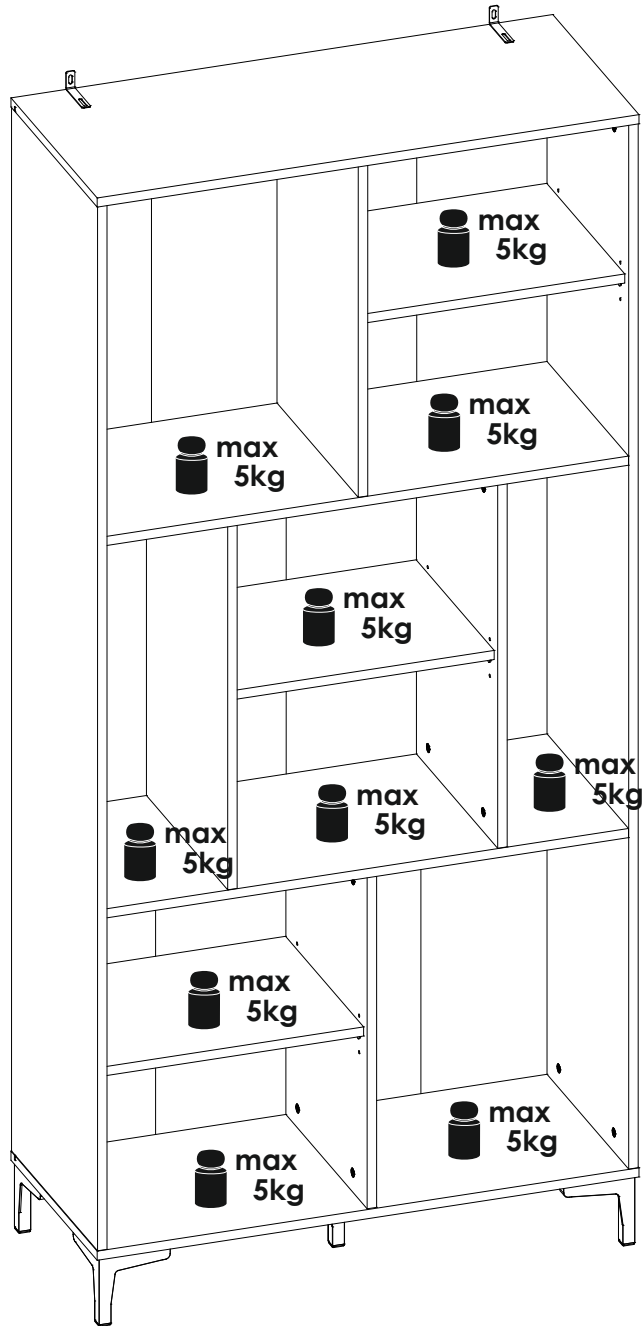
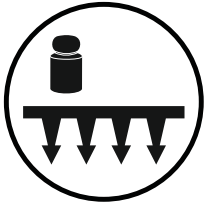
25 ▶

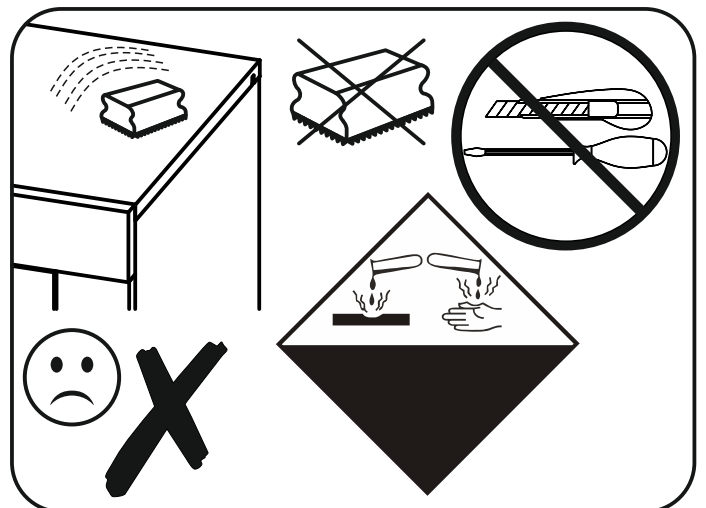
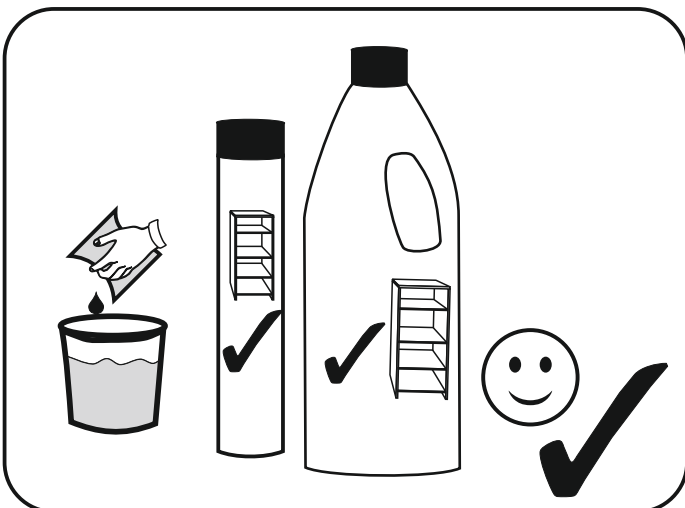
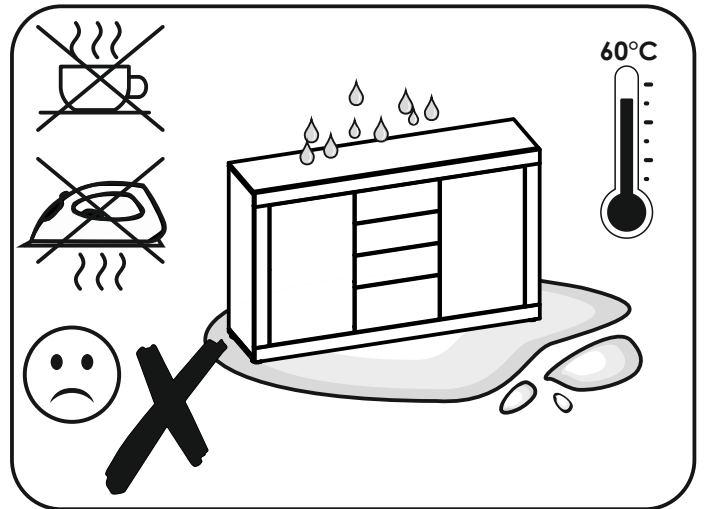
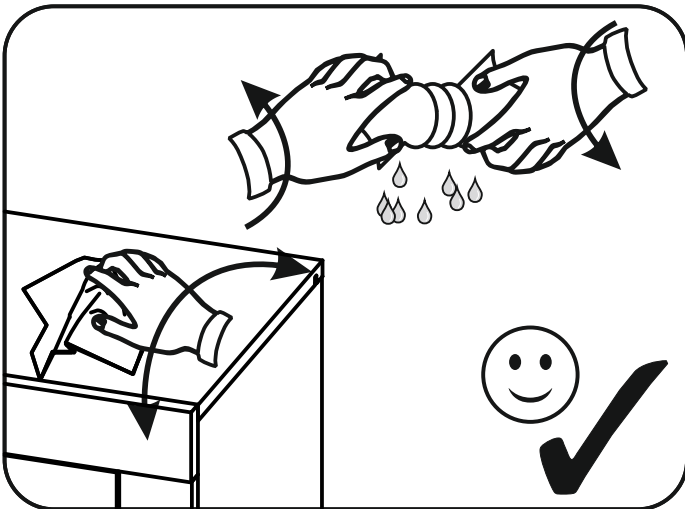
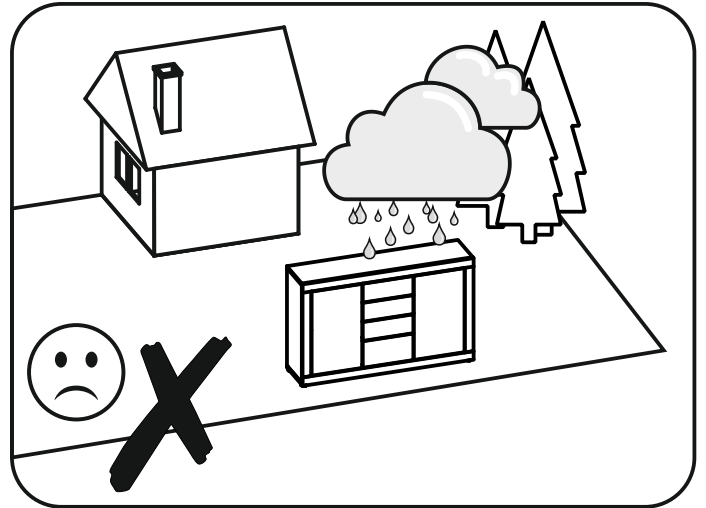
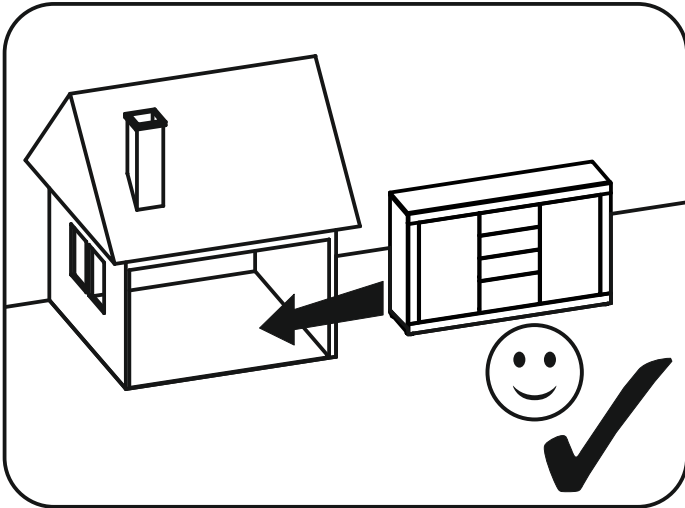
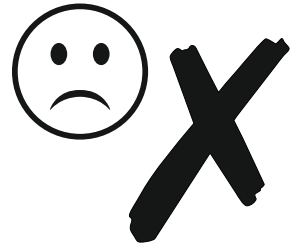


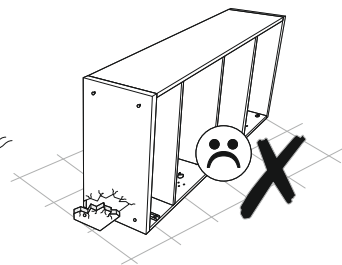
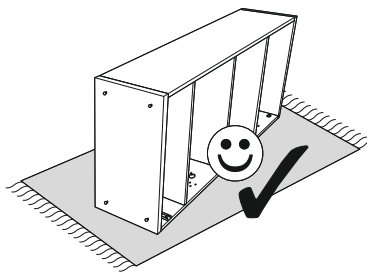
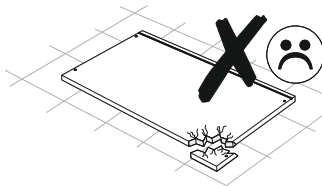
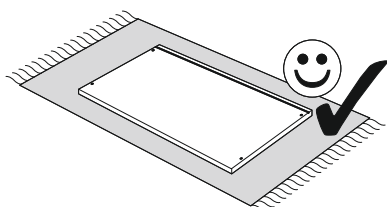
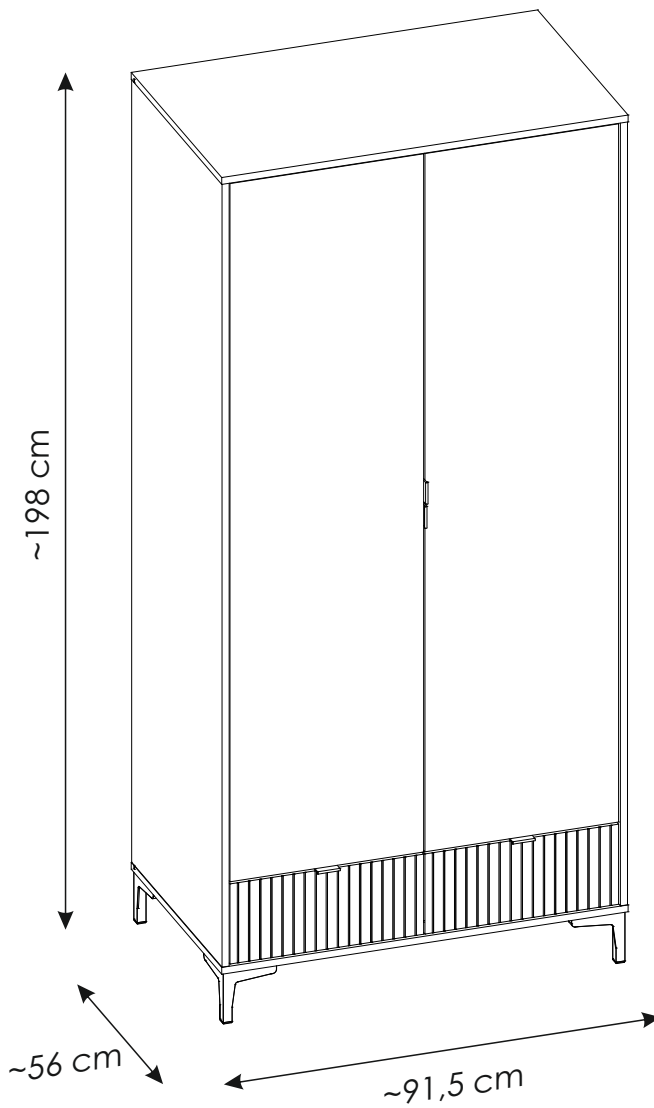
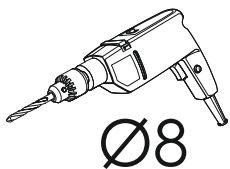
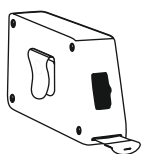
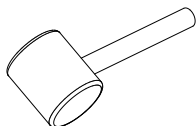
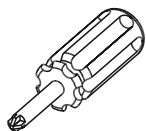
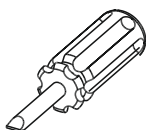
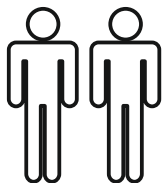
26 ▶



27 ▶

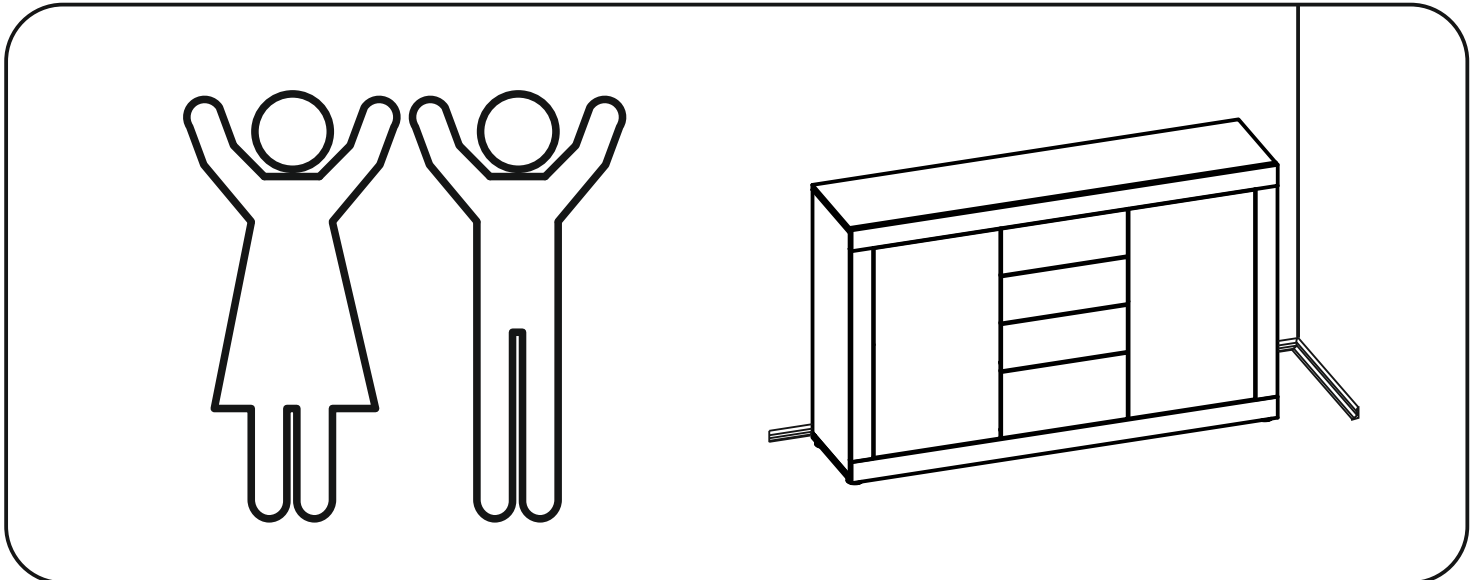
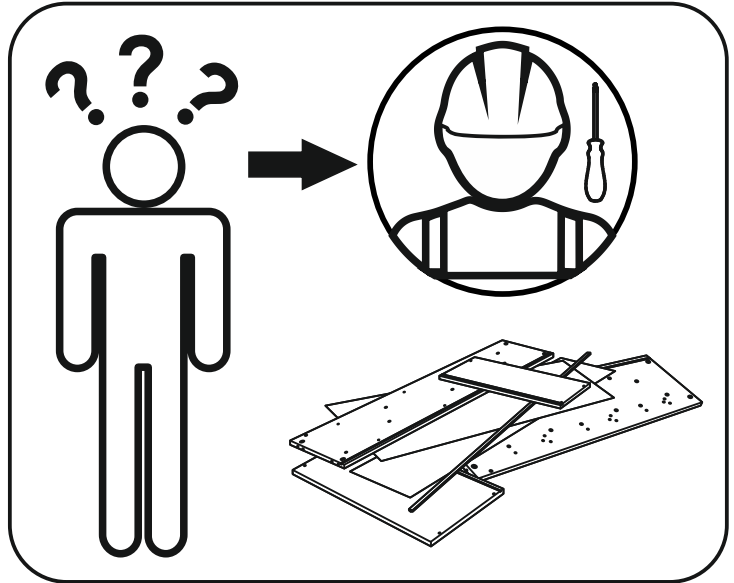
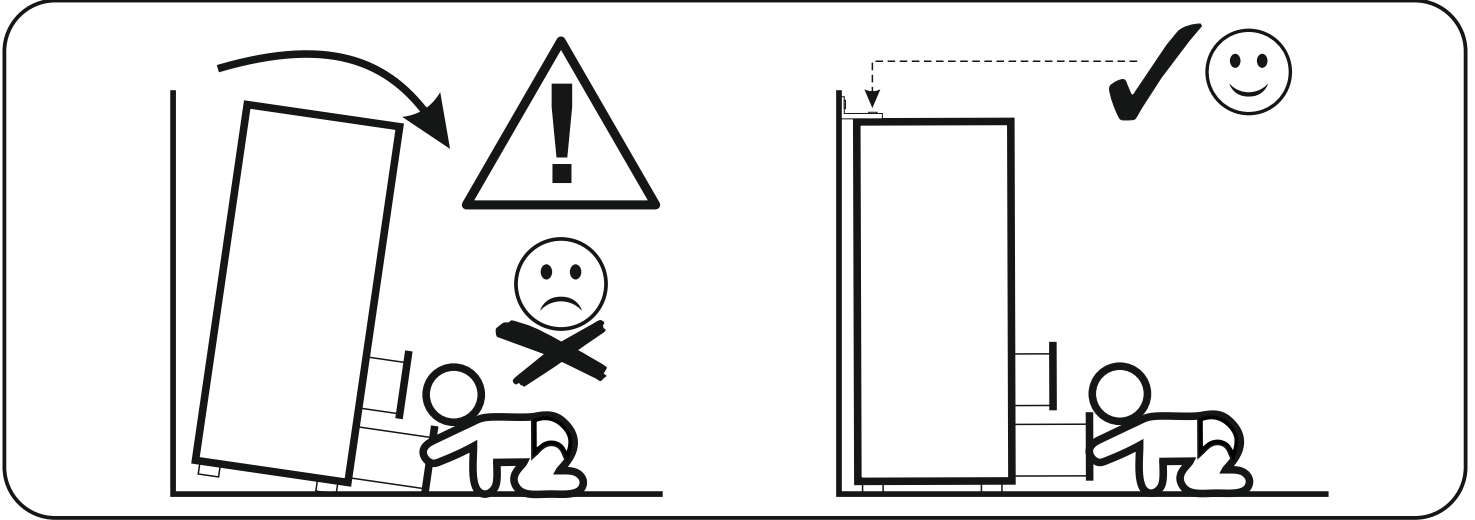


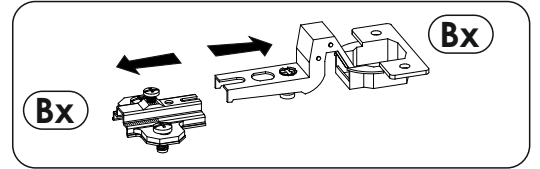
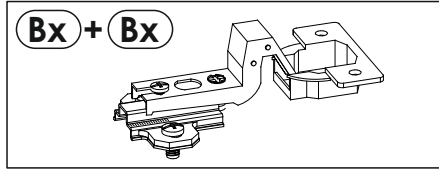
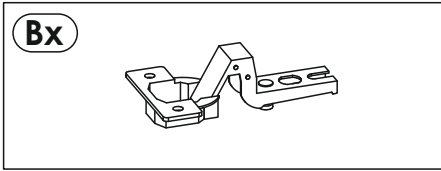
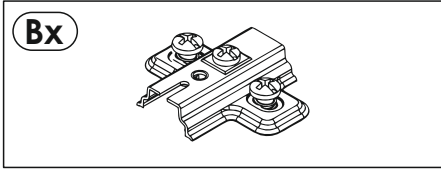



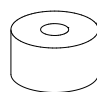
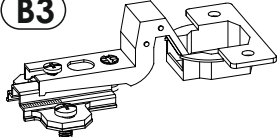
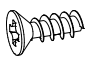
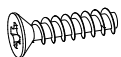

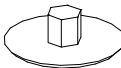

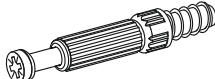
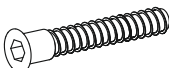
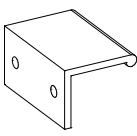
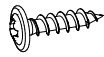
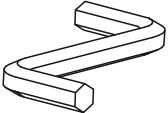




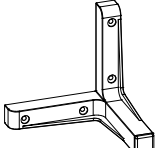
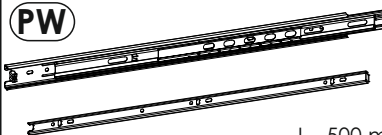
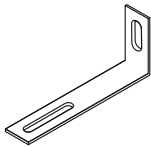
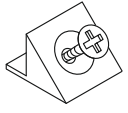
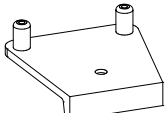
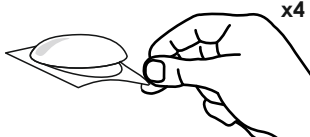
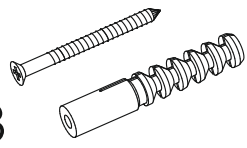
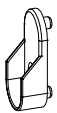
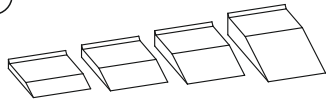


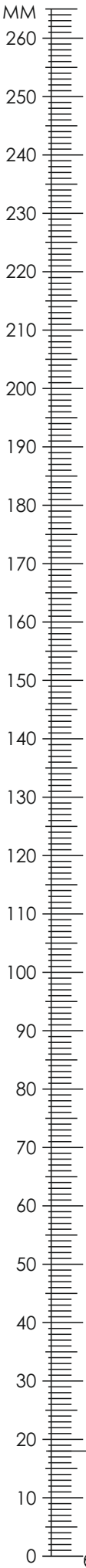
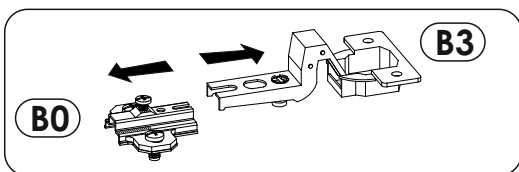
i

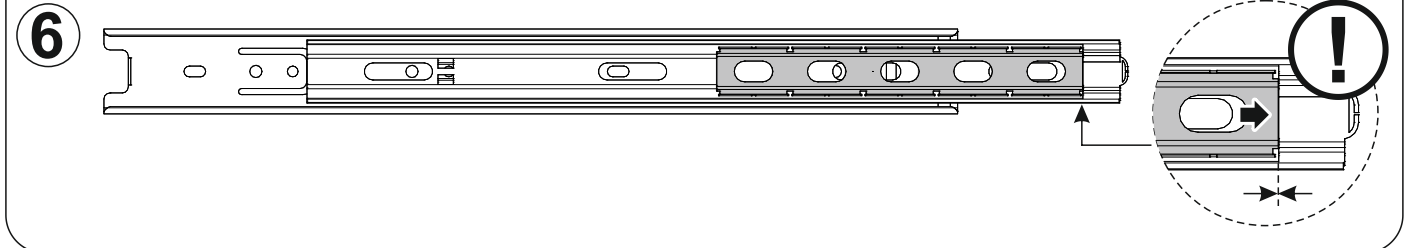
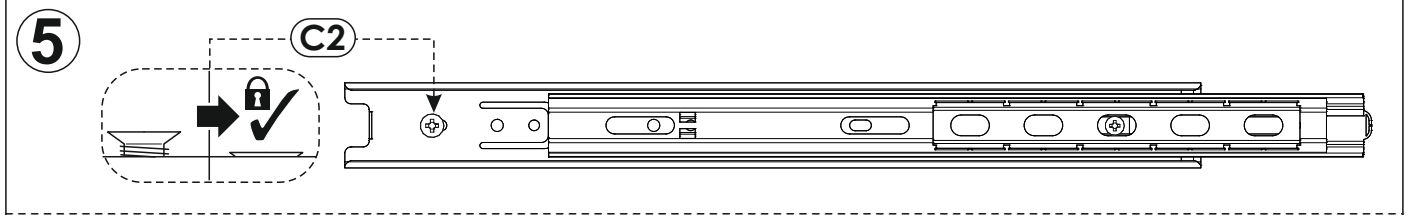
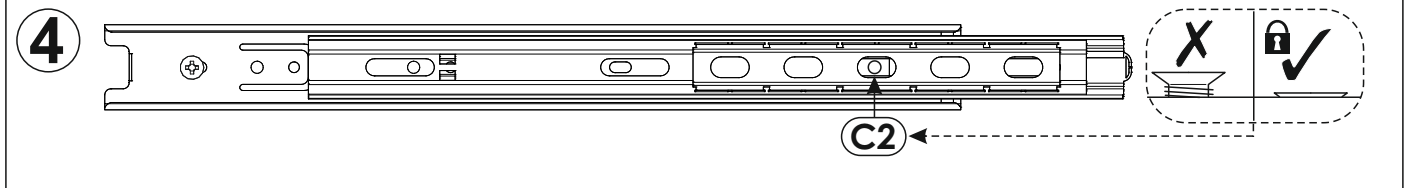
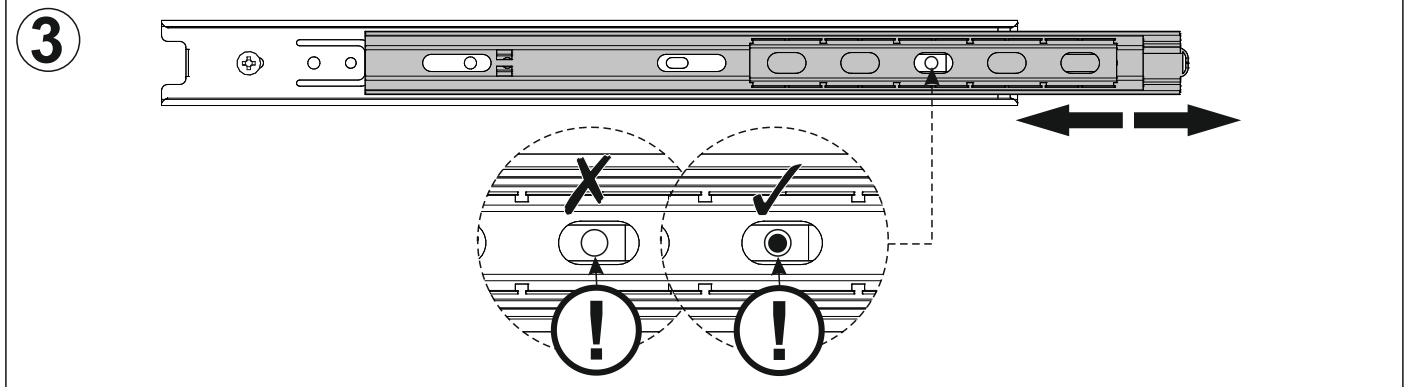
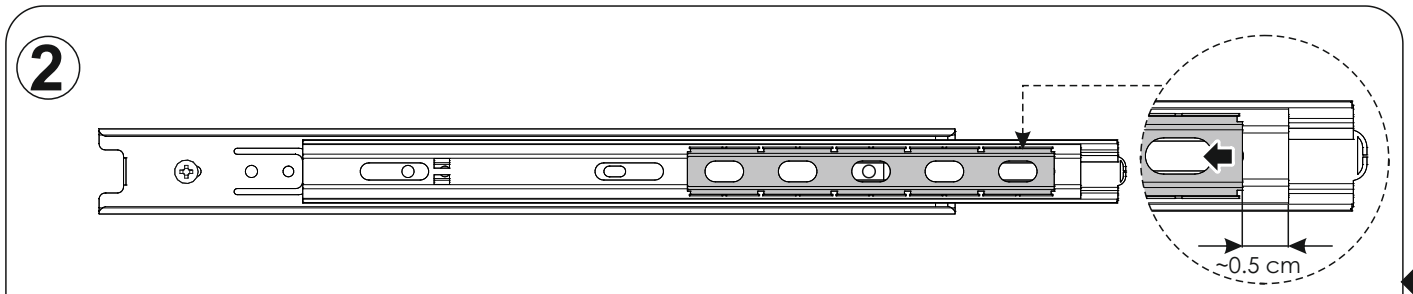
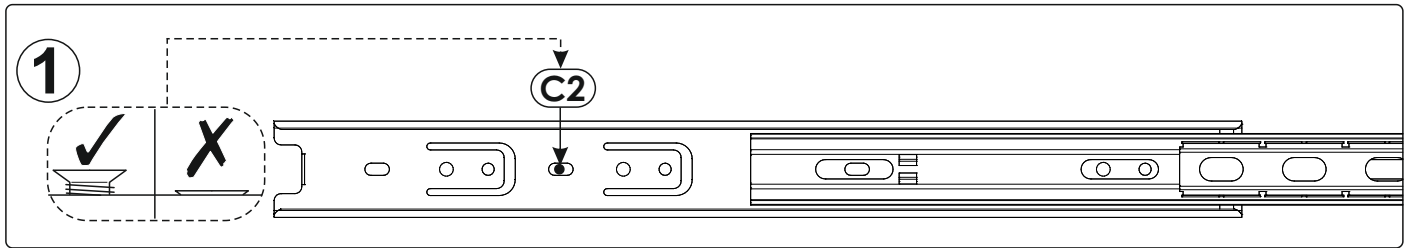
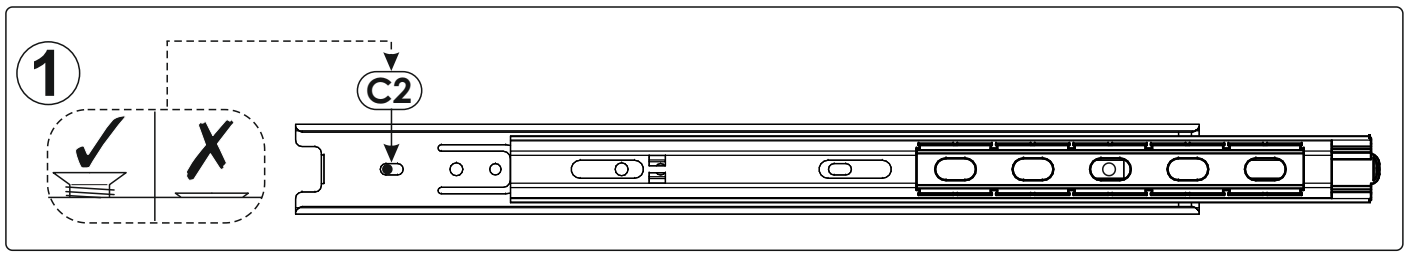
n

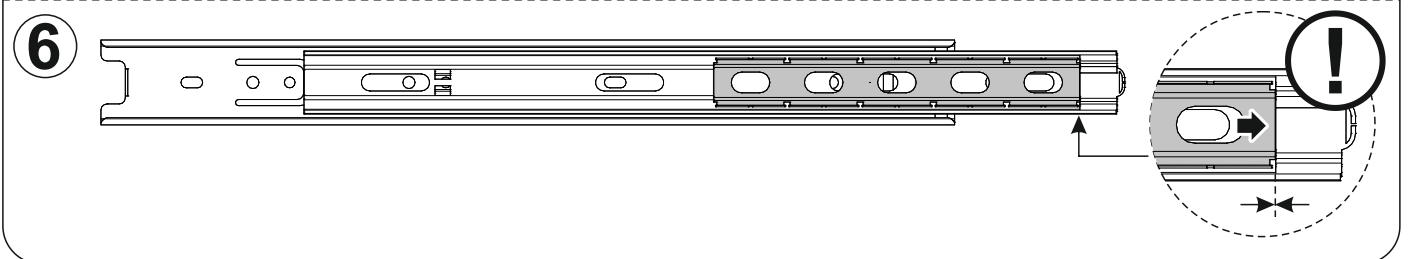
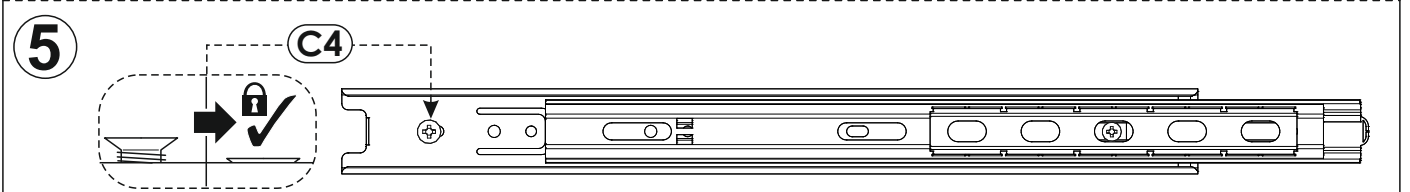
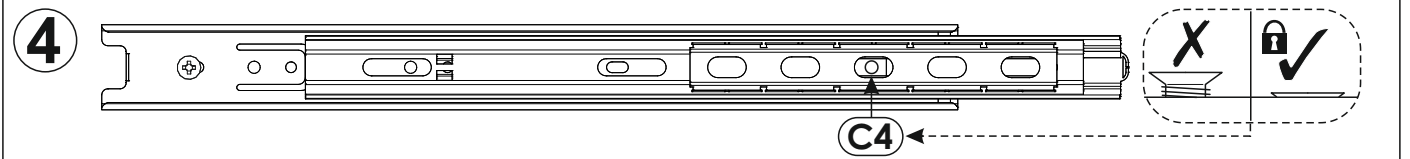
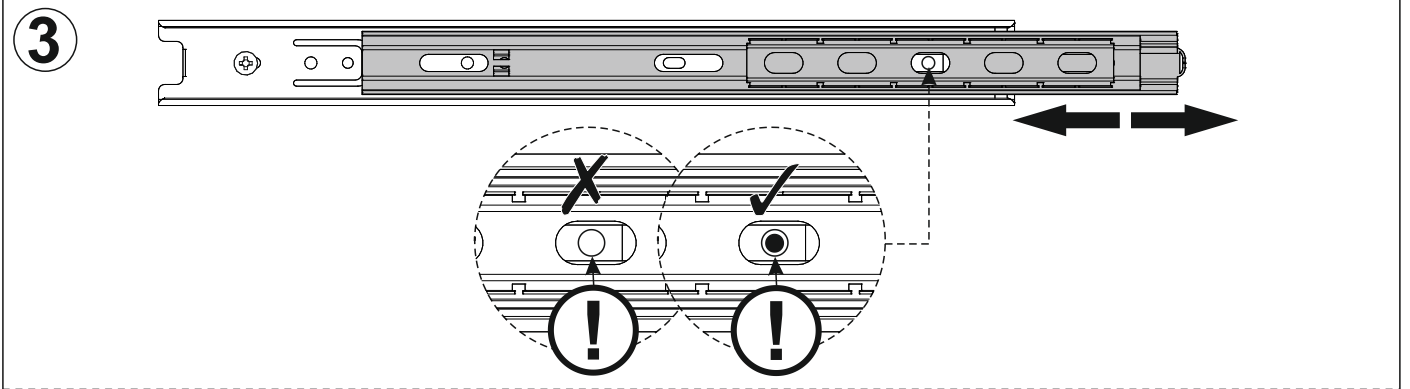
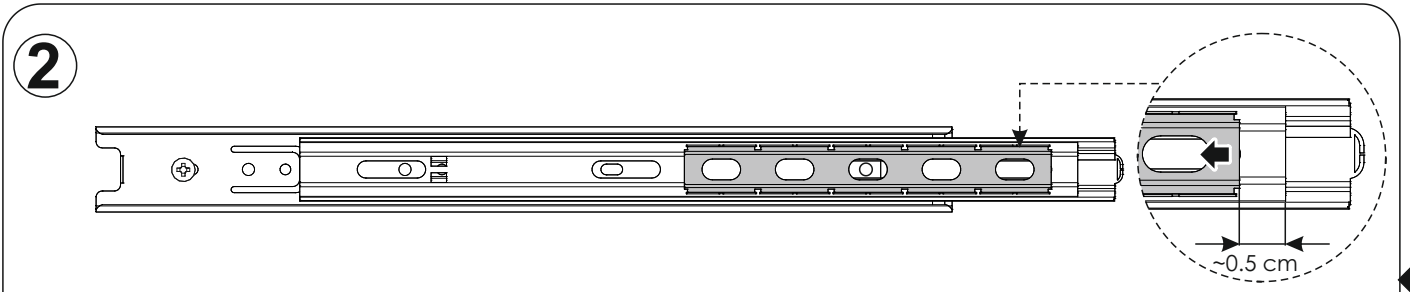
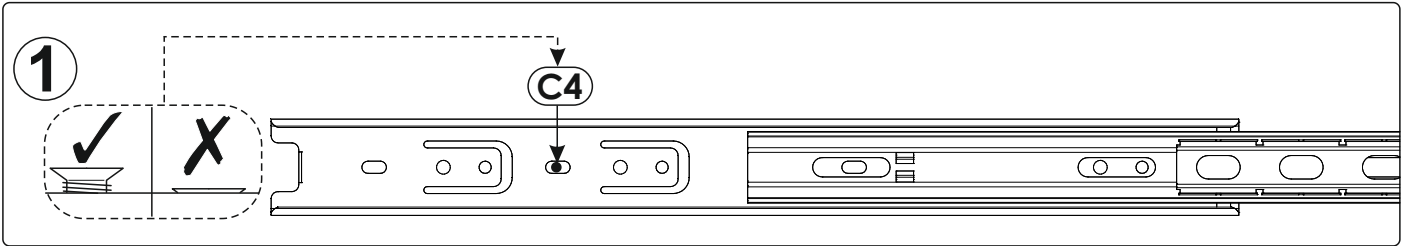
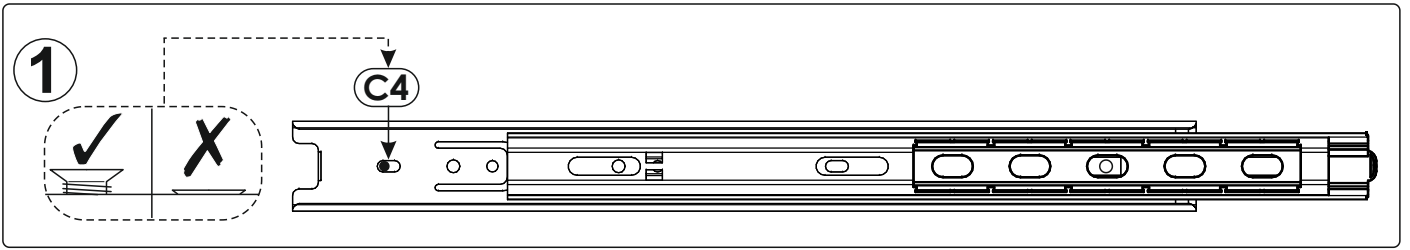


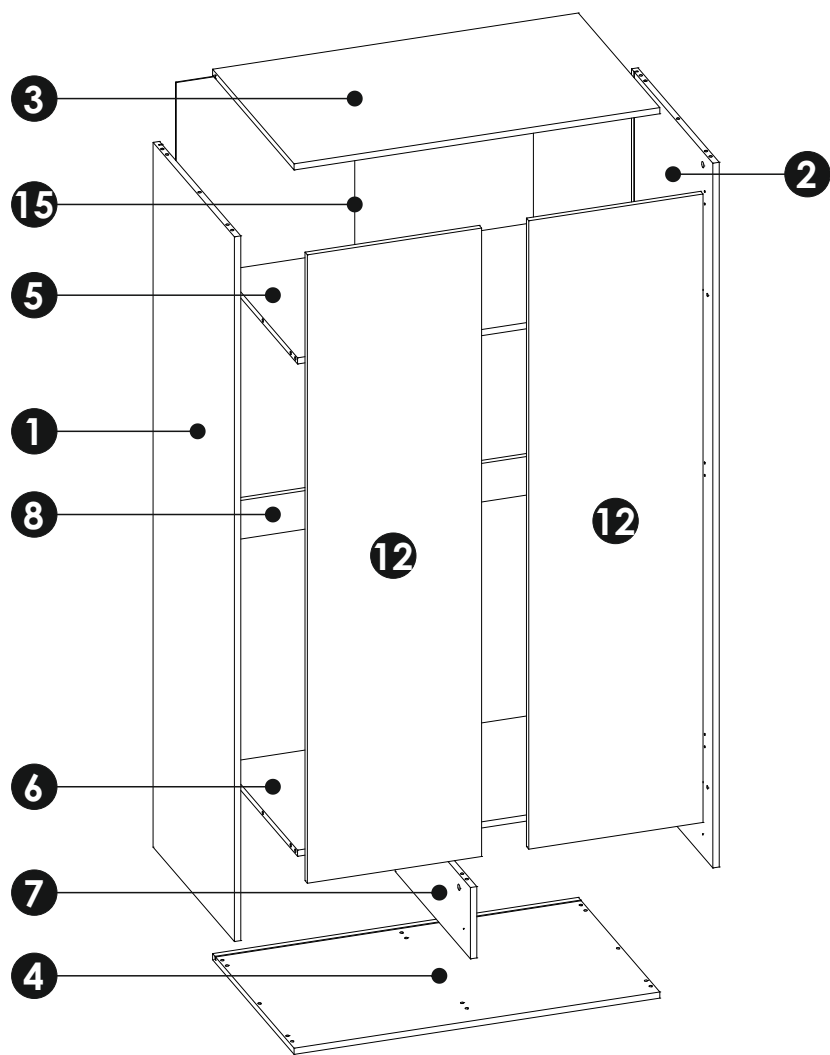
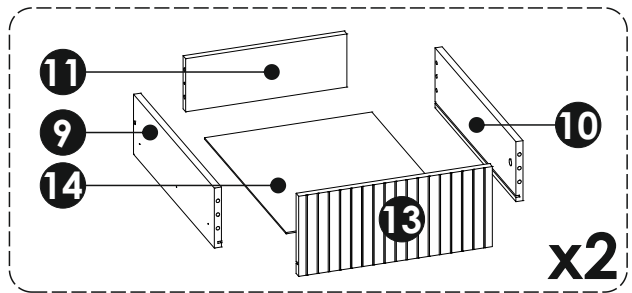
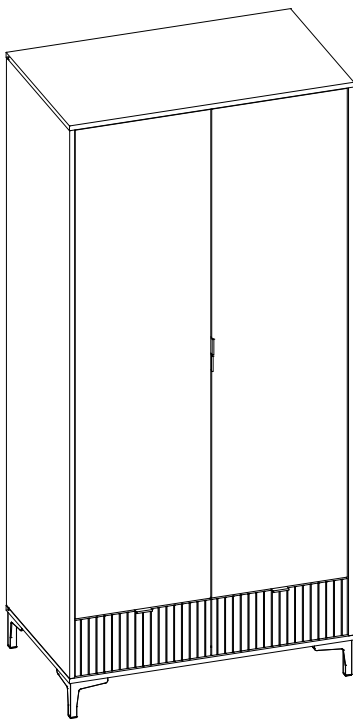


A1 8 x 35 mm x48 	BD H - 11 mm x2 	B0 + B3 x6 
C2 5 x 13 mm x16 	C4 5 x 20 mm x4 	DR L - 872 mm x1 
E0 Ø16 x12 	E1 15 x 12 mm x20 	F1 6 x 34 mm x20 
G1 7 x 50 mm x10 	H1 L - 50 mm x4 	I2 4 x 16 mm x2 
M x1 	N1 3 x 16 mm x20 	N4 3,5 x 13 mm x10 
N5 3,5 x 16 mm x14 	N7 3,5 x 30 mm x20 	O12 x5 
PW L - 500 mm x2 	Q9 x2 	R4 x14 
R5 x2 	R8 x4 	S13 x2 Ø8 
UD x2 	Z x1 	





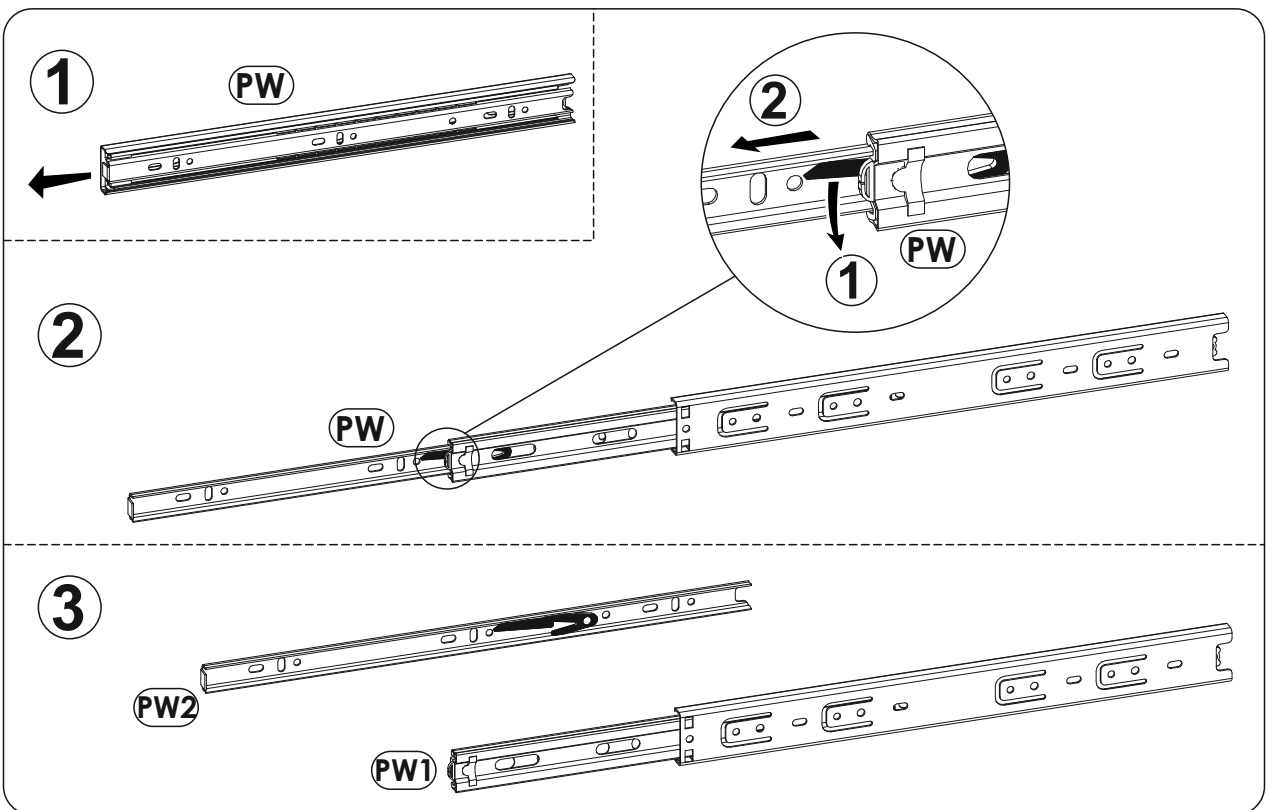
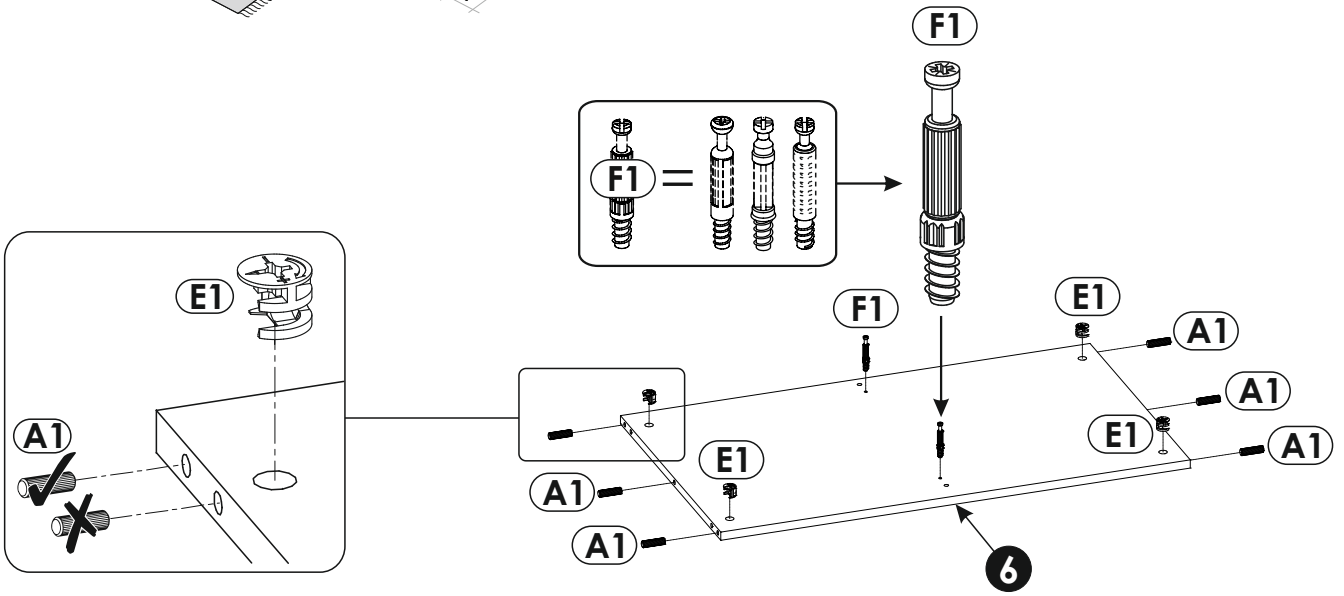
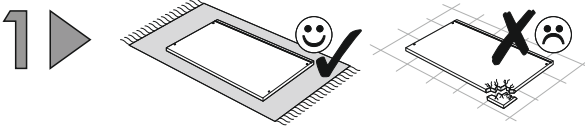
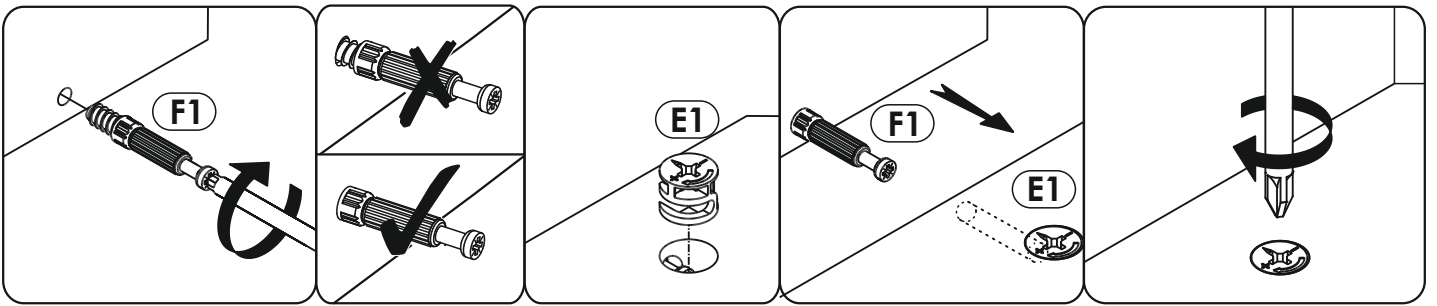


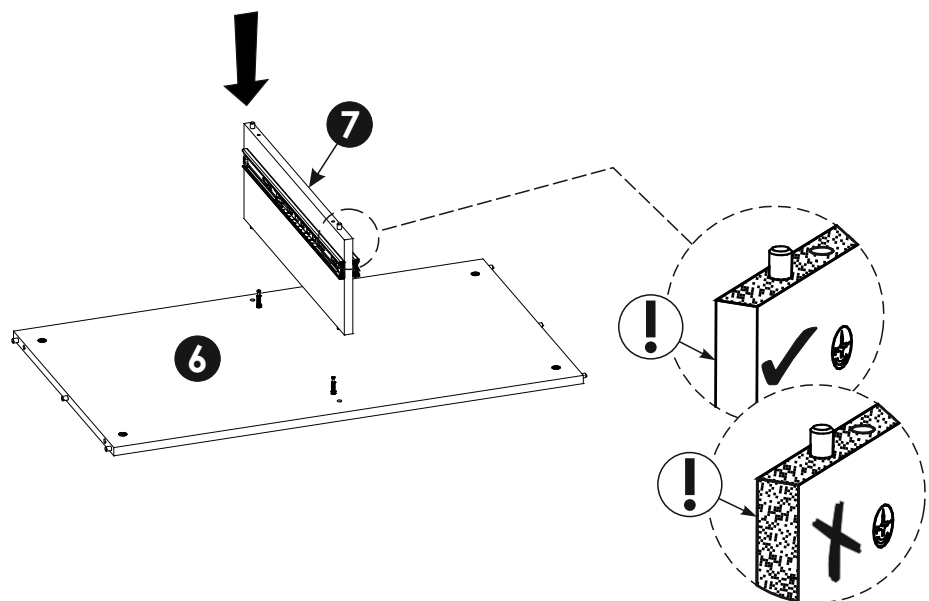
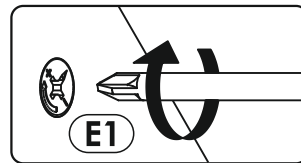
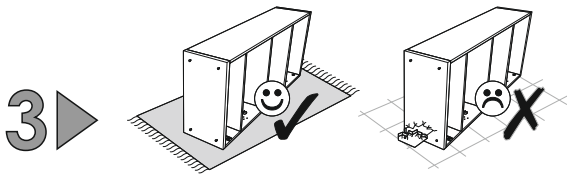
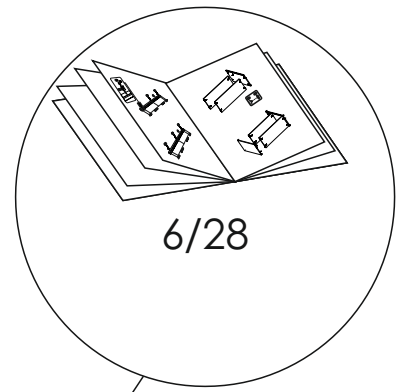
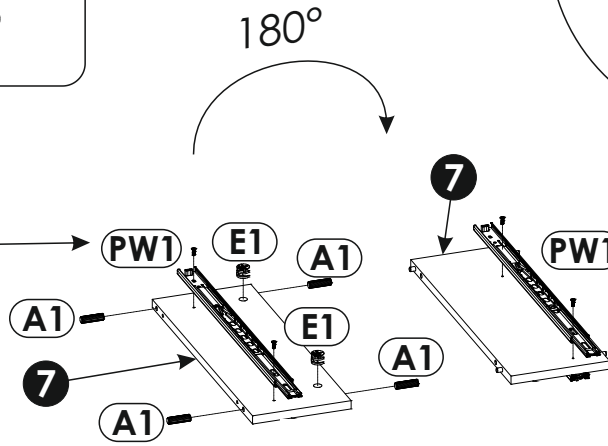
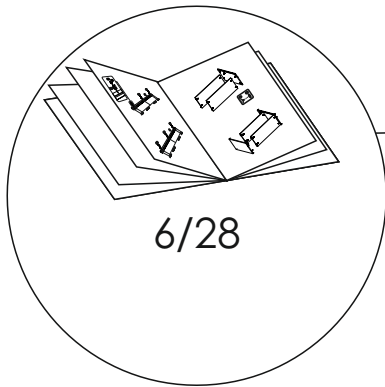
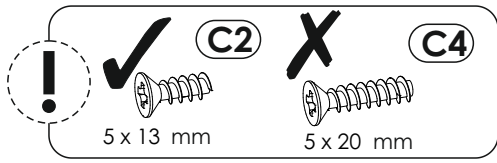
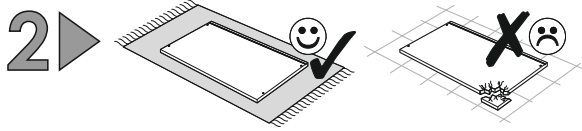


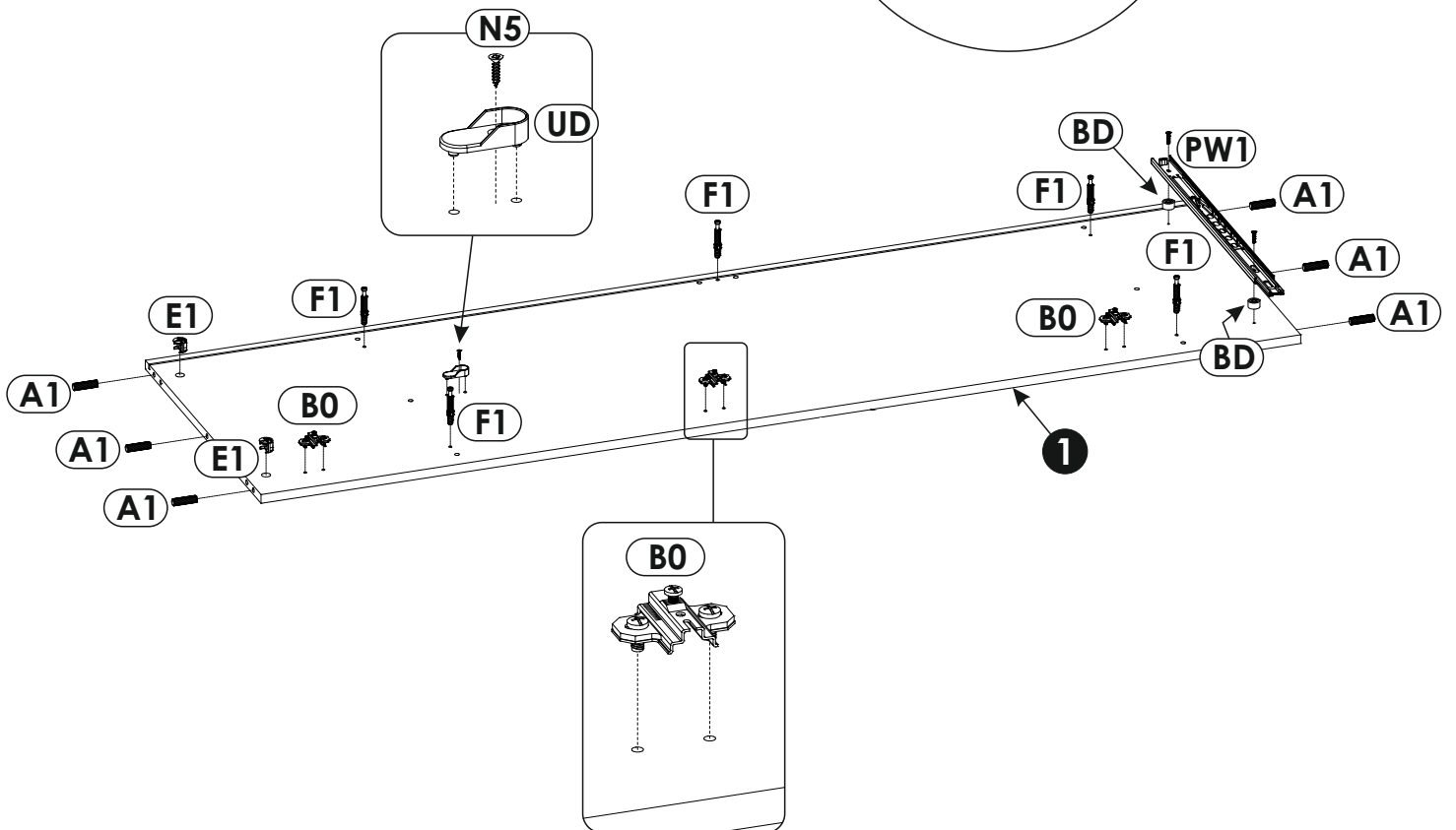
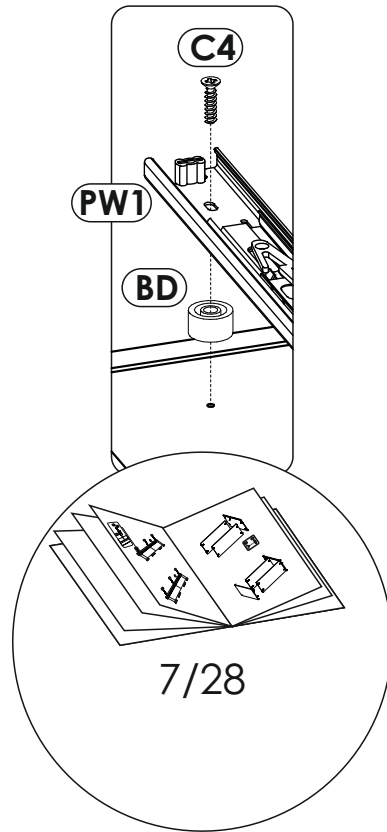
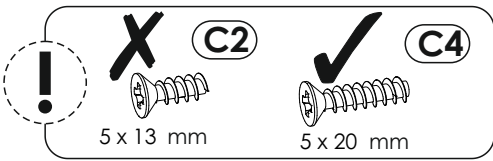
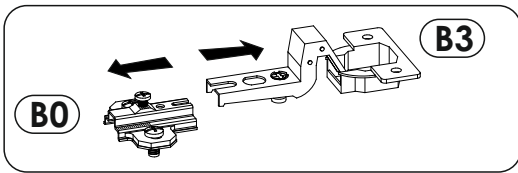
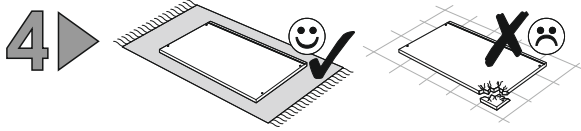
1	1828	559	16	x1	3/3
2	1828	559	16	x1	3/3
3	915	560	16	x1	1/3
4	915	560	16	x1	1/3
5	881	517	16	x1	1/3

6	881	517	16	x1	1/3
7	185	517	16	x1	1/3
8	881	100	16	x1	1/3
9	500	140	16	x2	2/3
10	500	140	16	x2	2/3

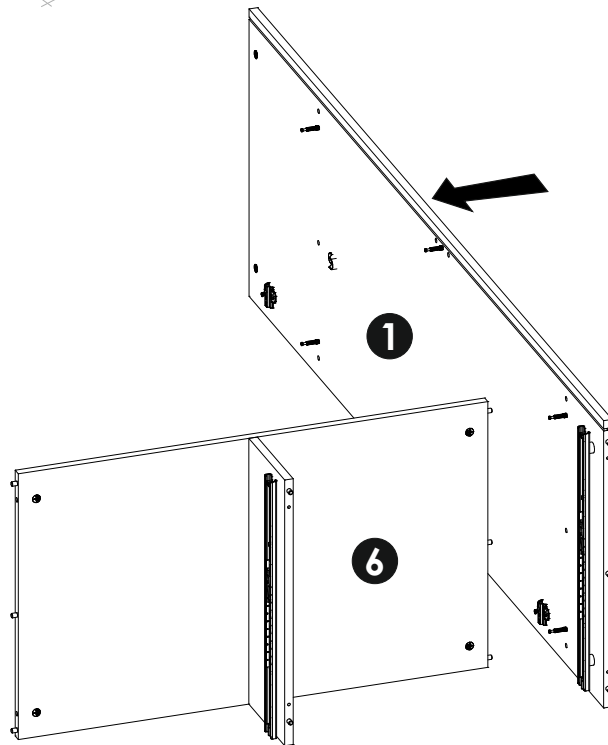
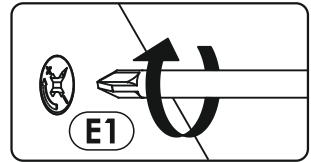
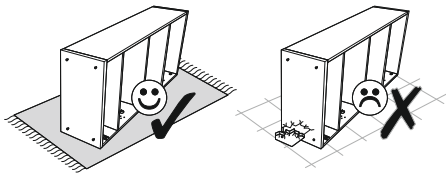
11	363	124	16	x2	1/3
12	1630	436	16	x2	2/3
13	187	436	16	x2	2/3
14	377	505	3	x2	1/3
15	1842	894	3	x1	3/3



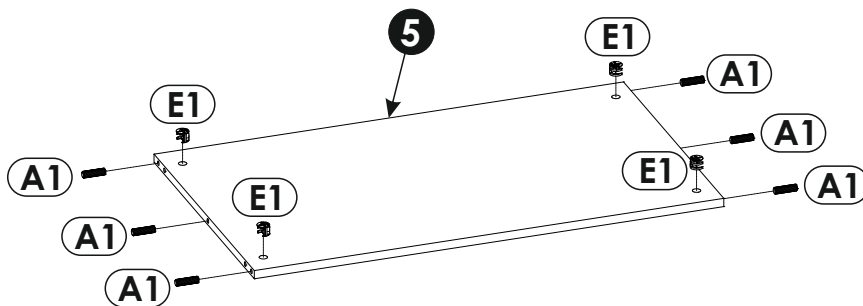
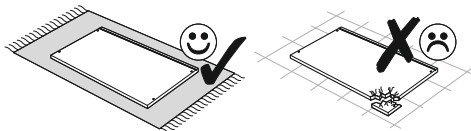


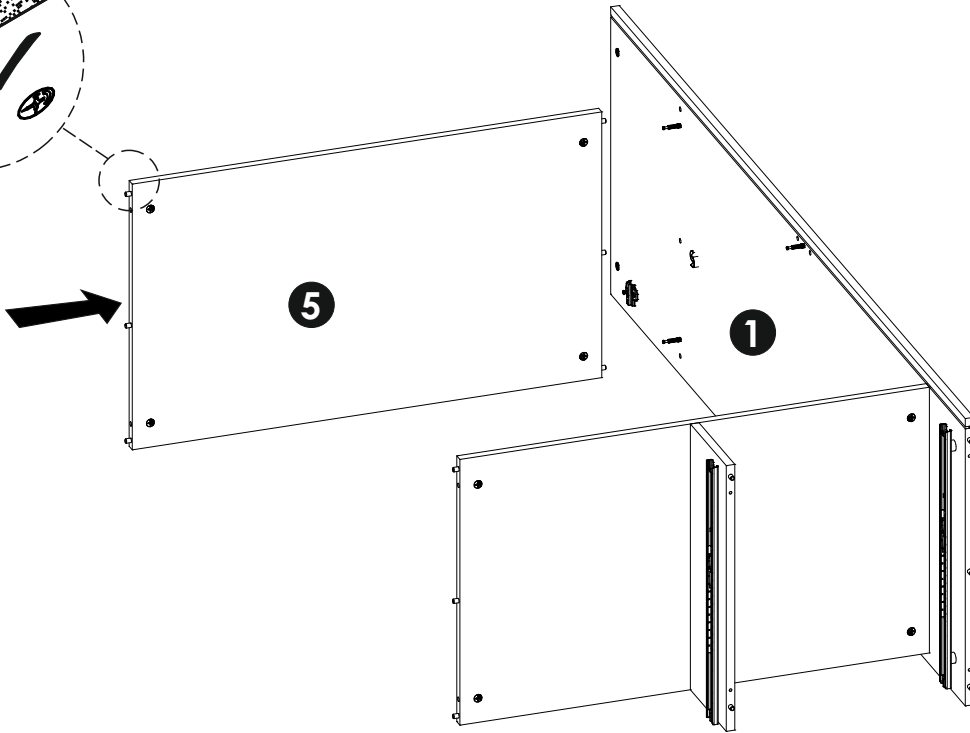
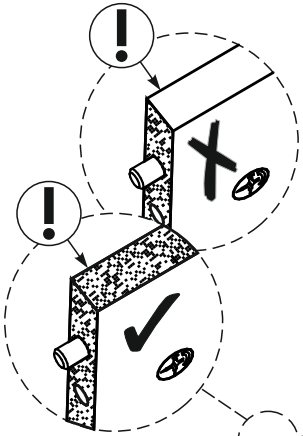
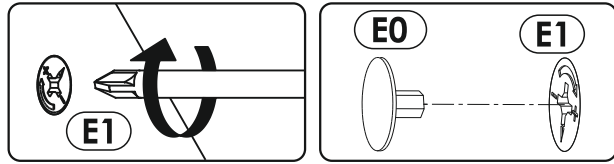
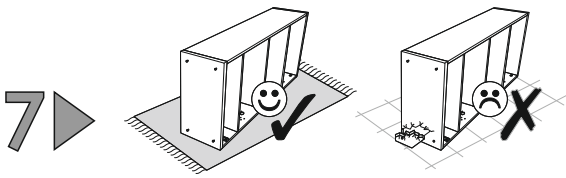


5 ▶

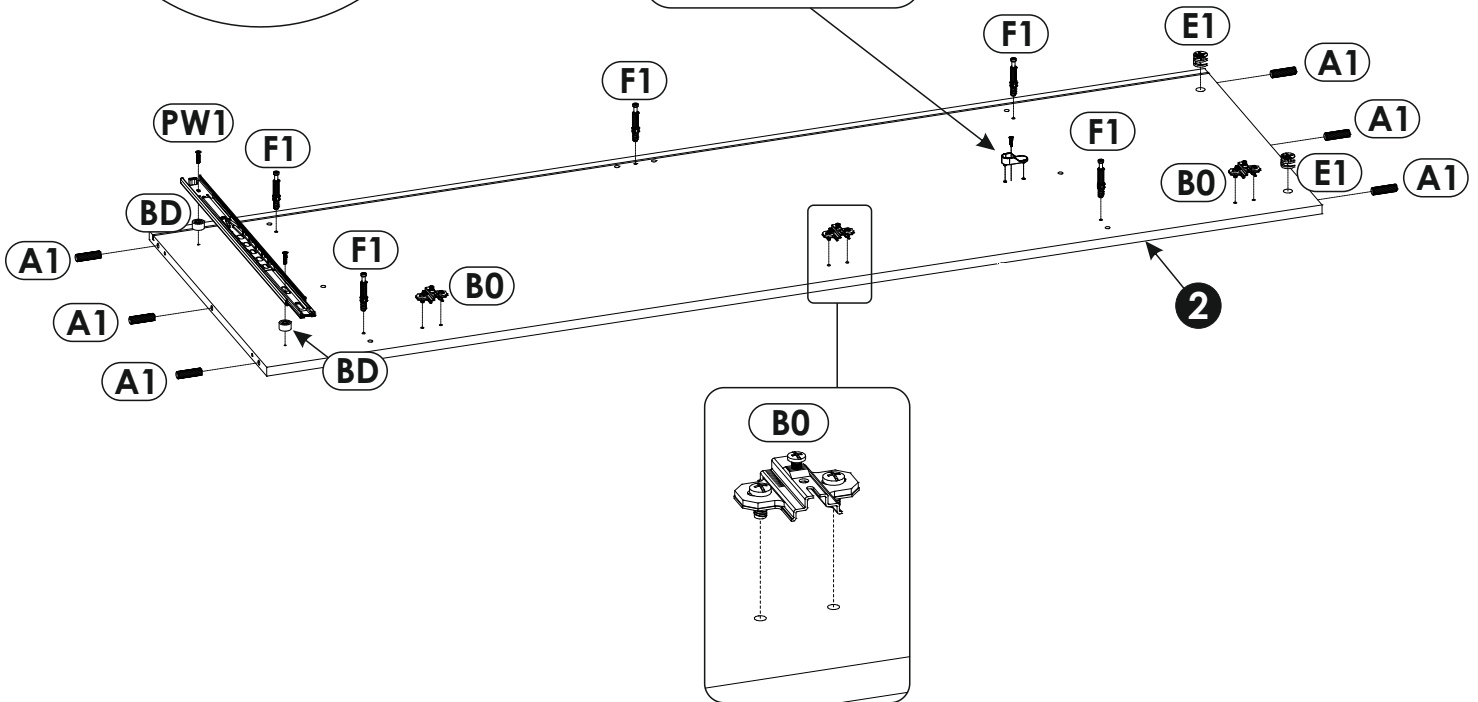
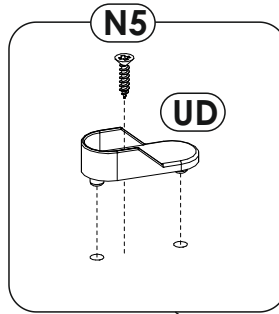
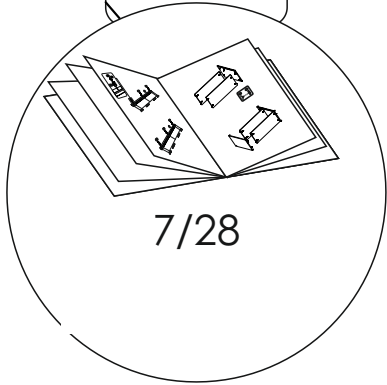
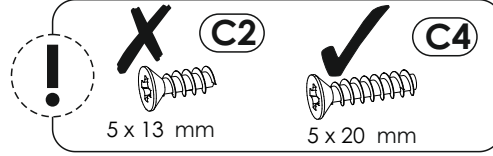
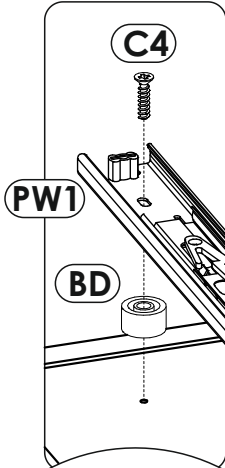
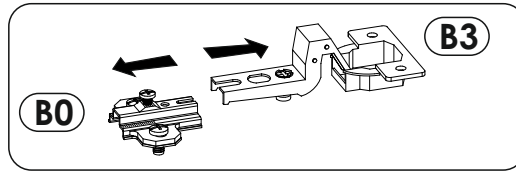
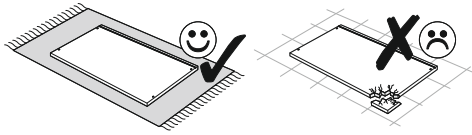


6 ▶

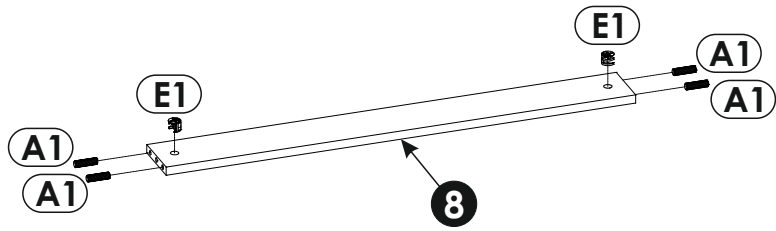
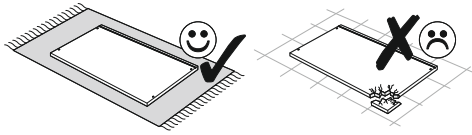




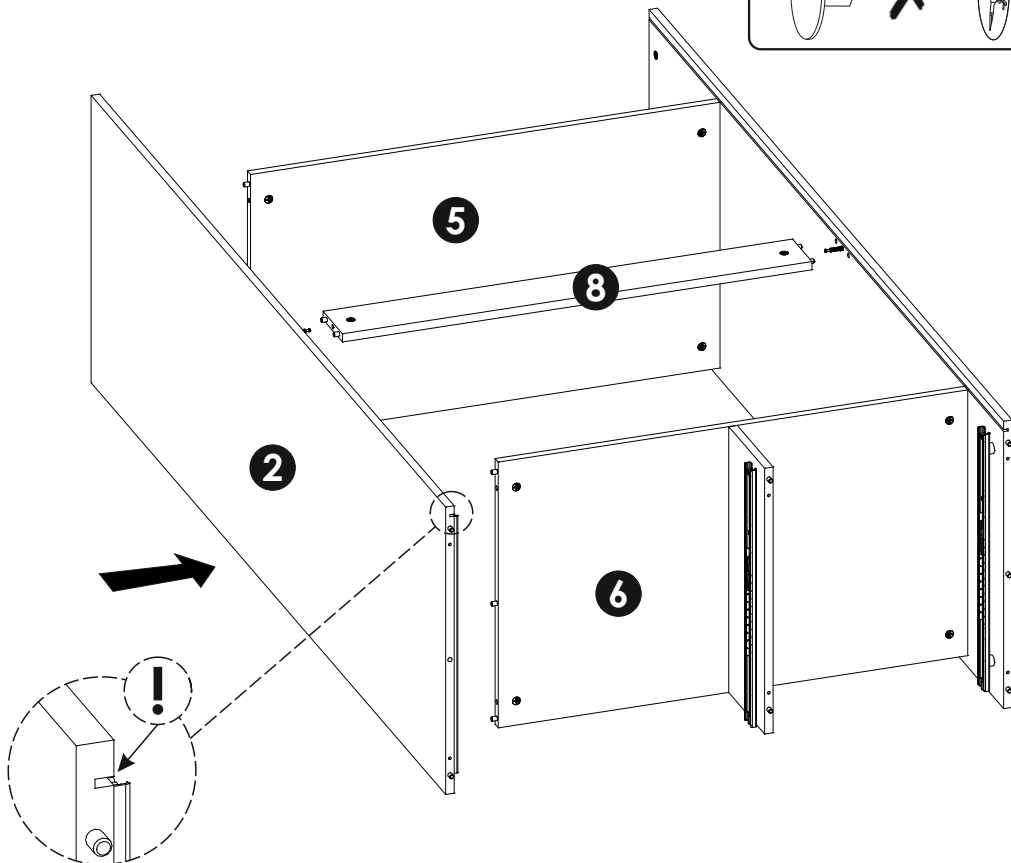
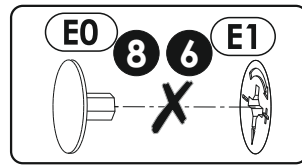
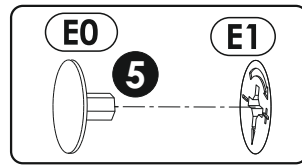
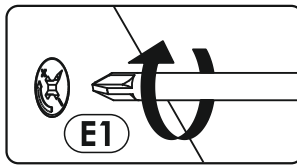
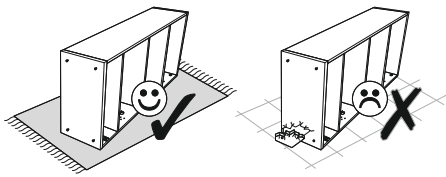
8 ▶



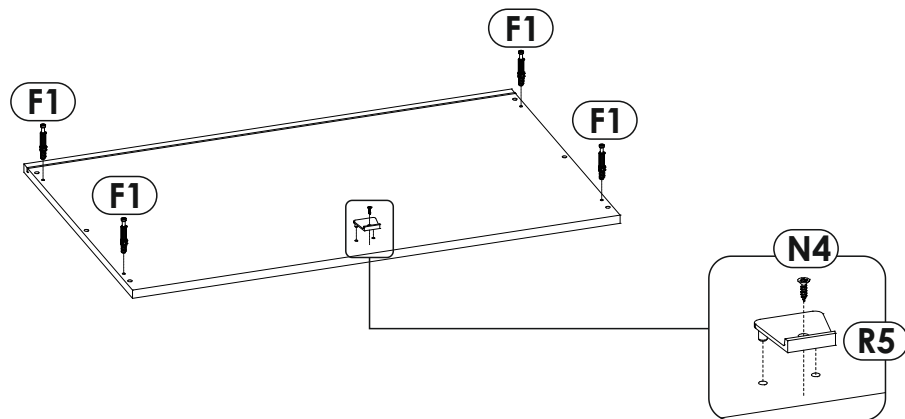
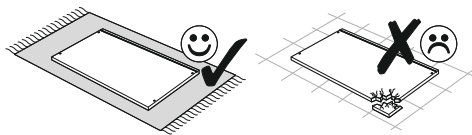
9 ▶



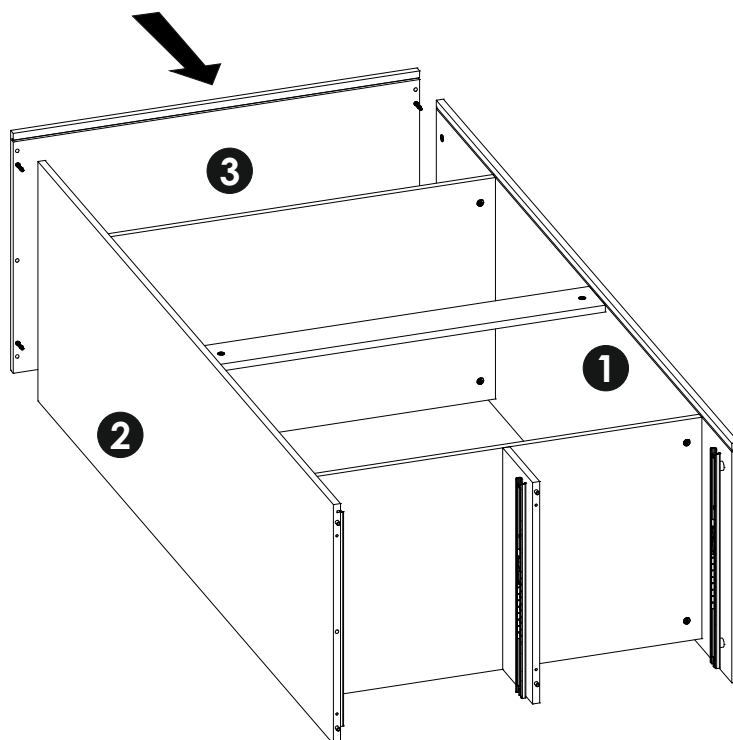
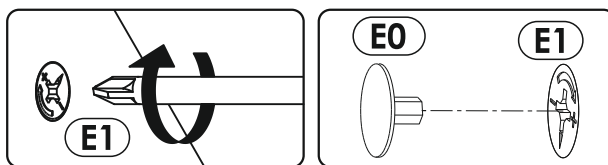
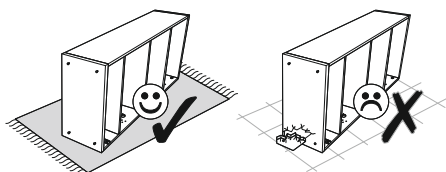
10 ▶



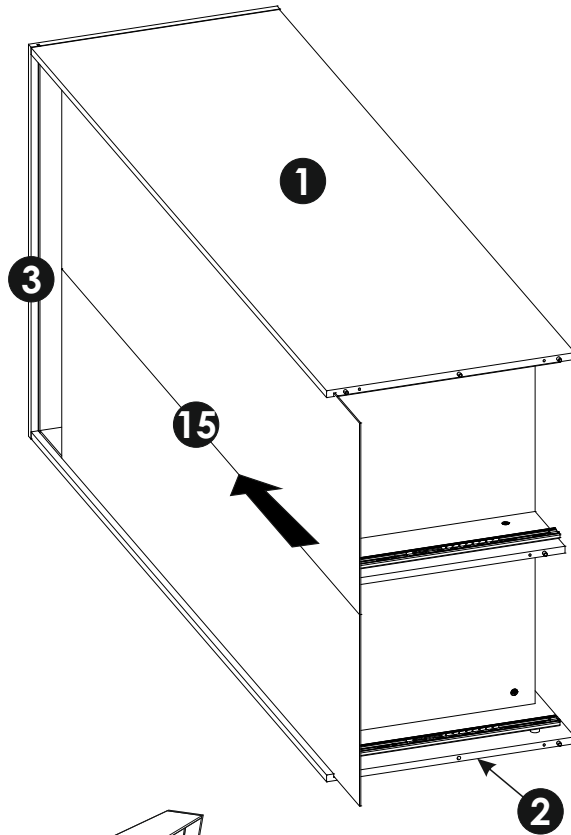
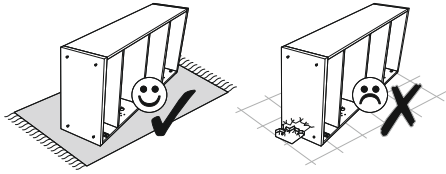
11 ▶



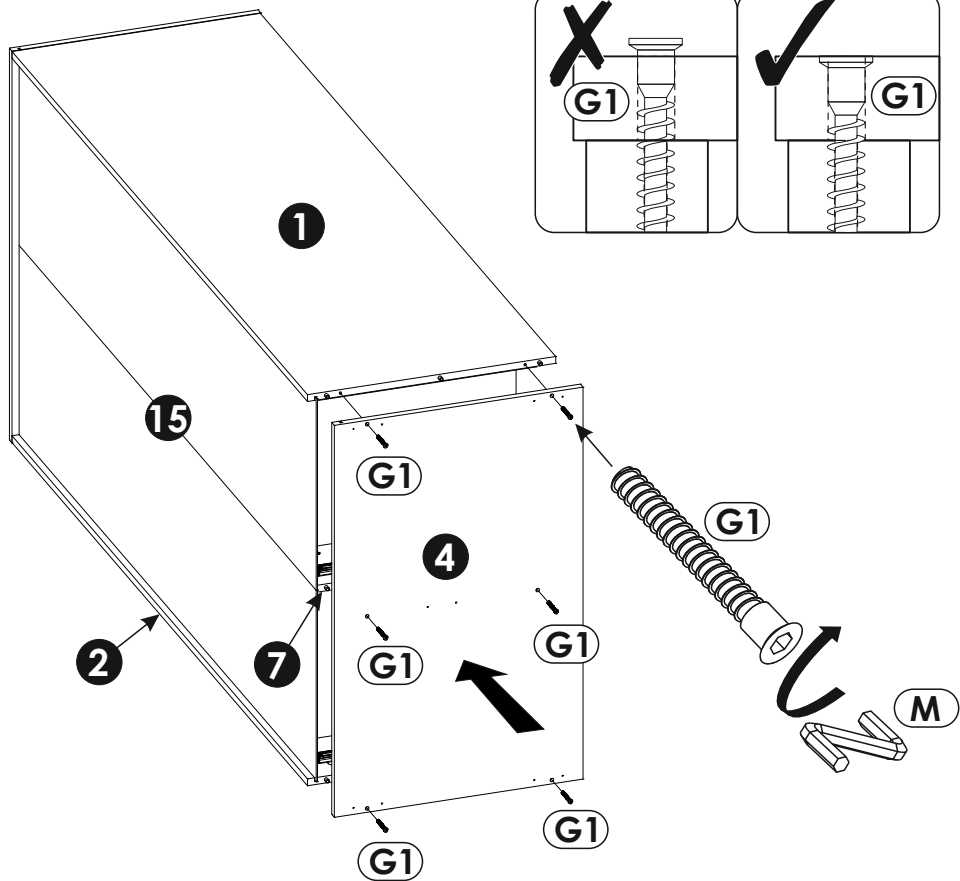
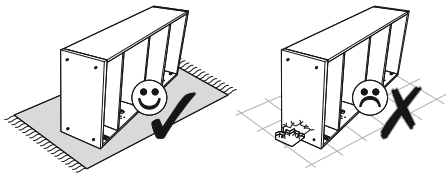
12 ▶



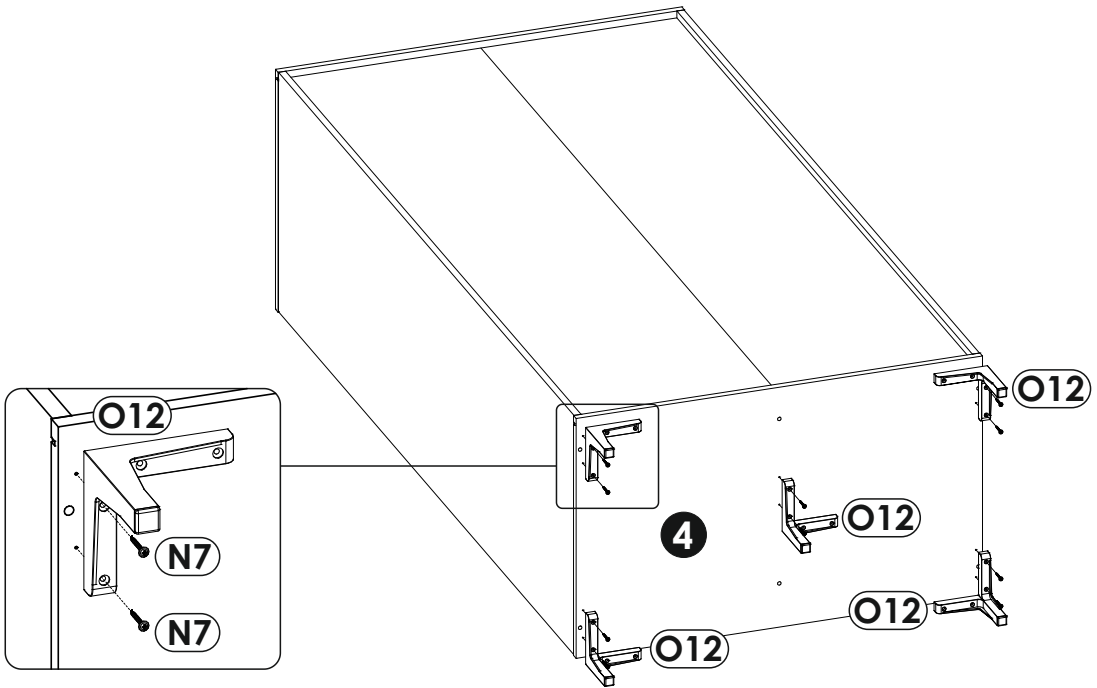
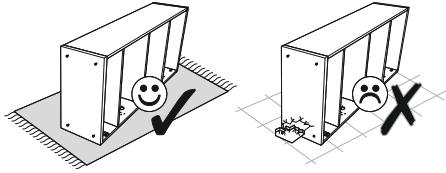
13 ▶



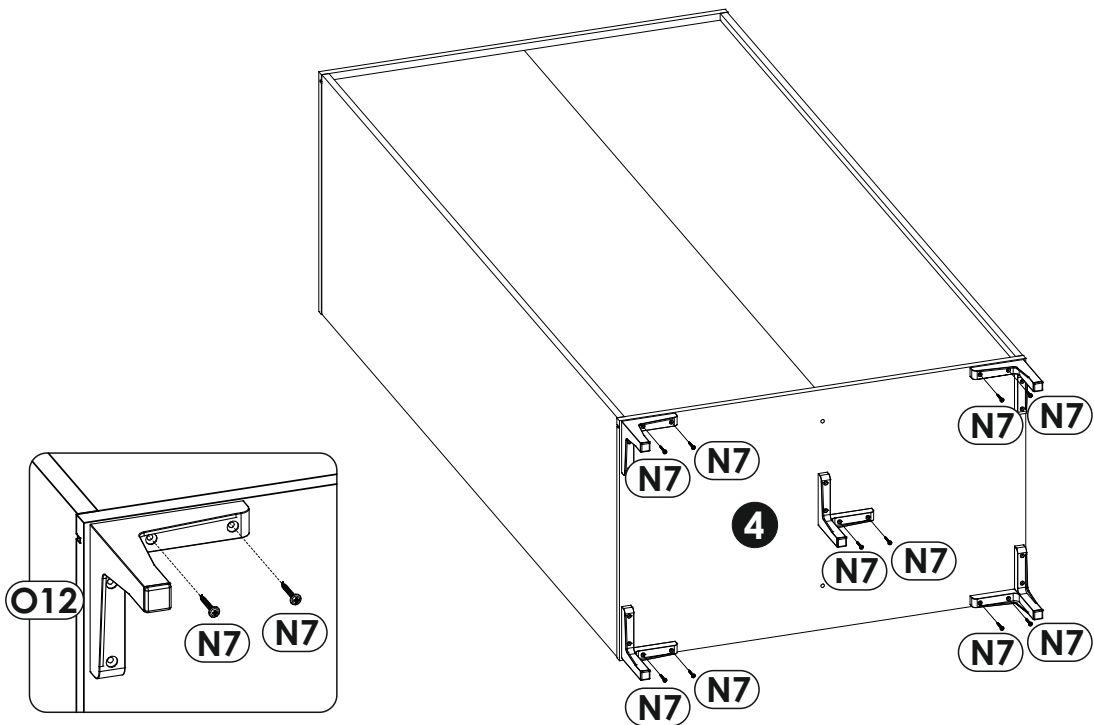
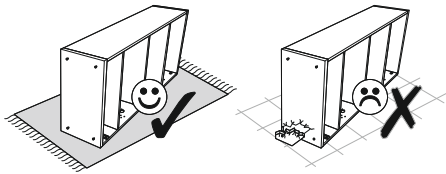
14 ▶



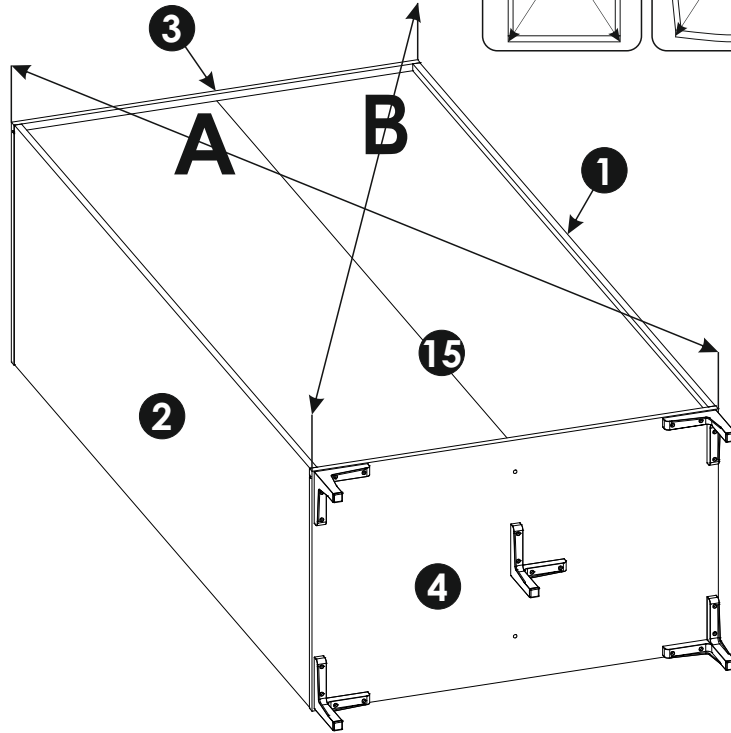
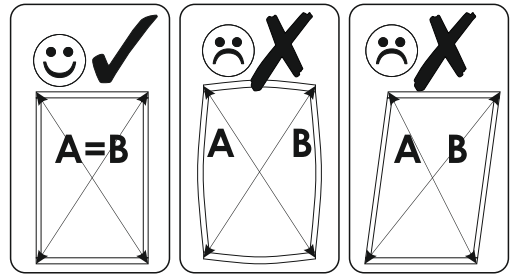
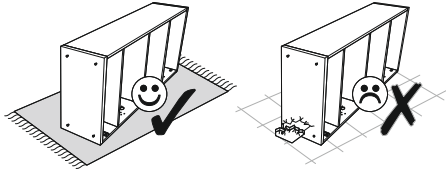
15 ▶



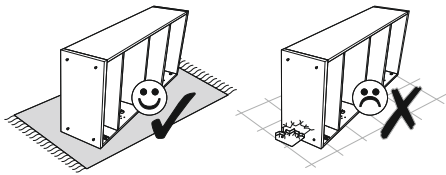
16 ▶



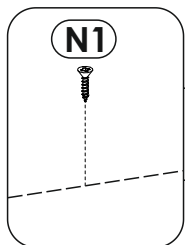
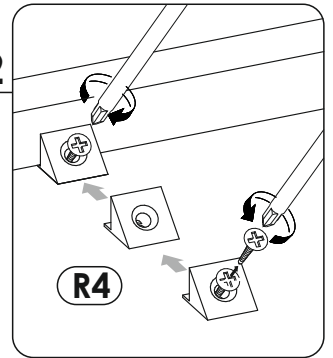
17 ▶



18 ▶

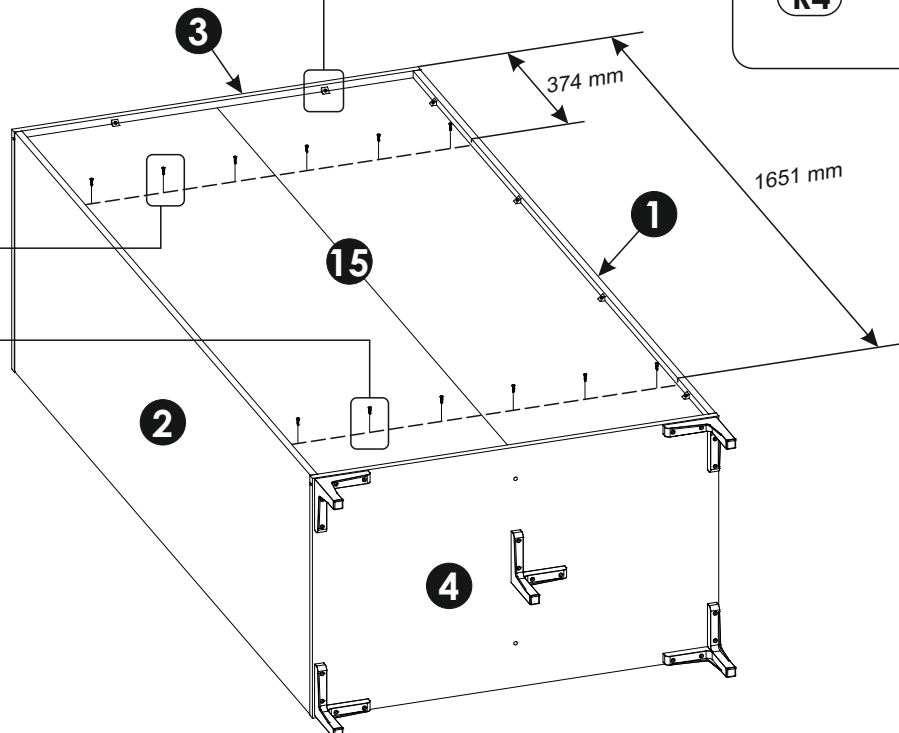


x12

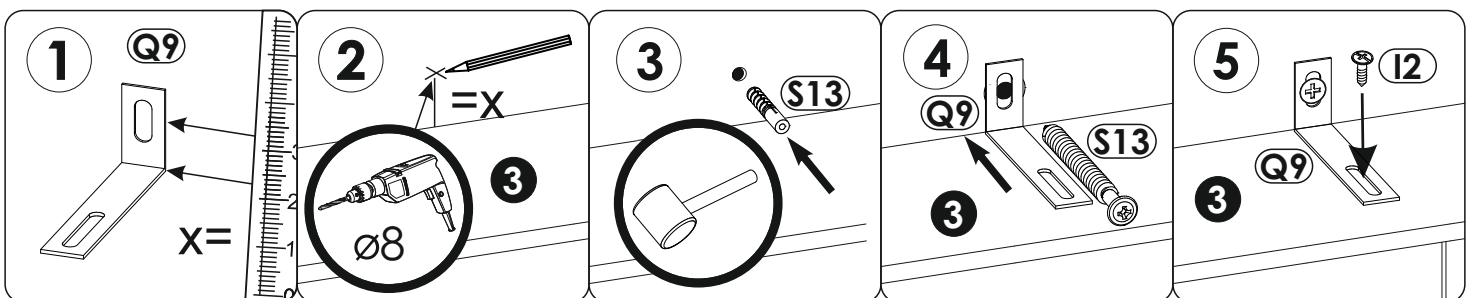
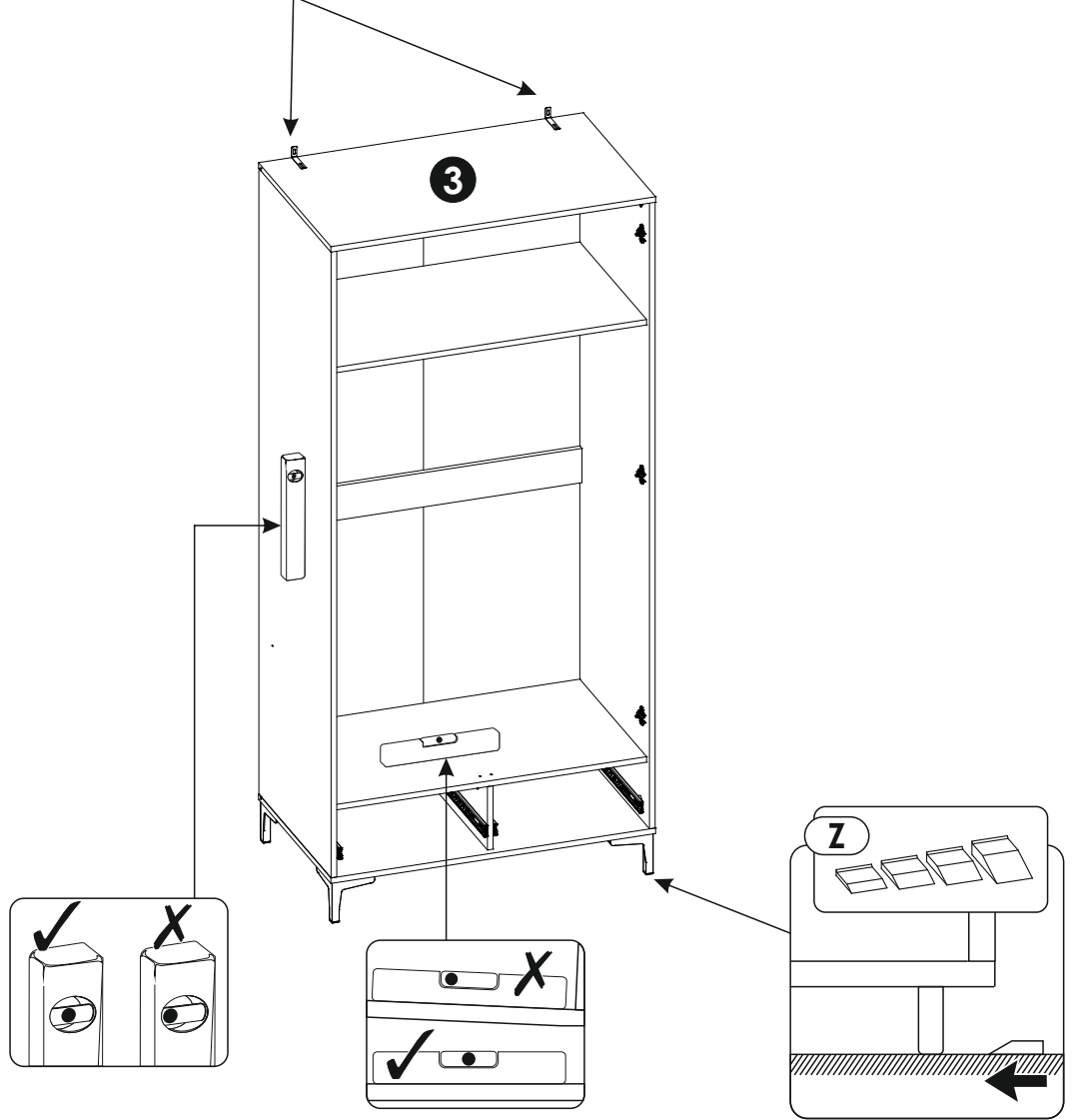
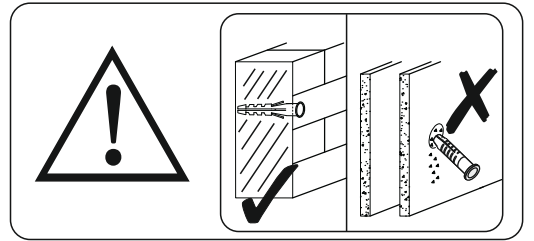
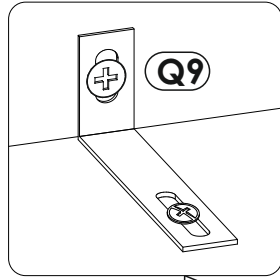


x6

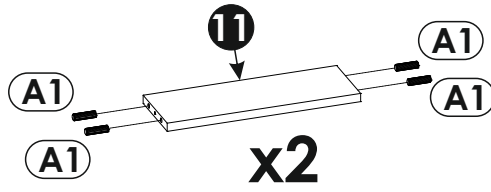
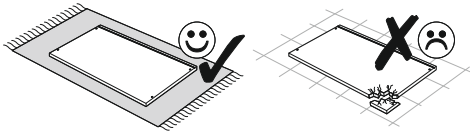
x6



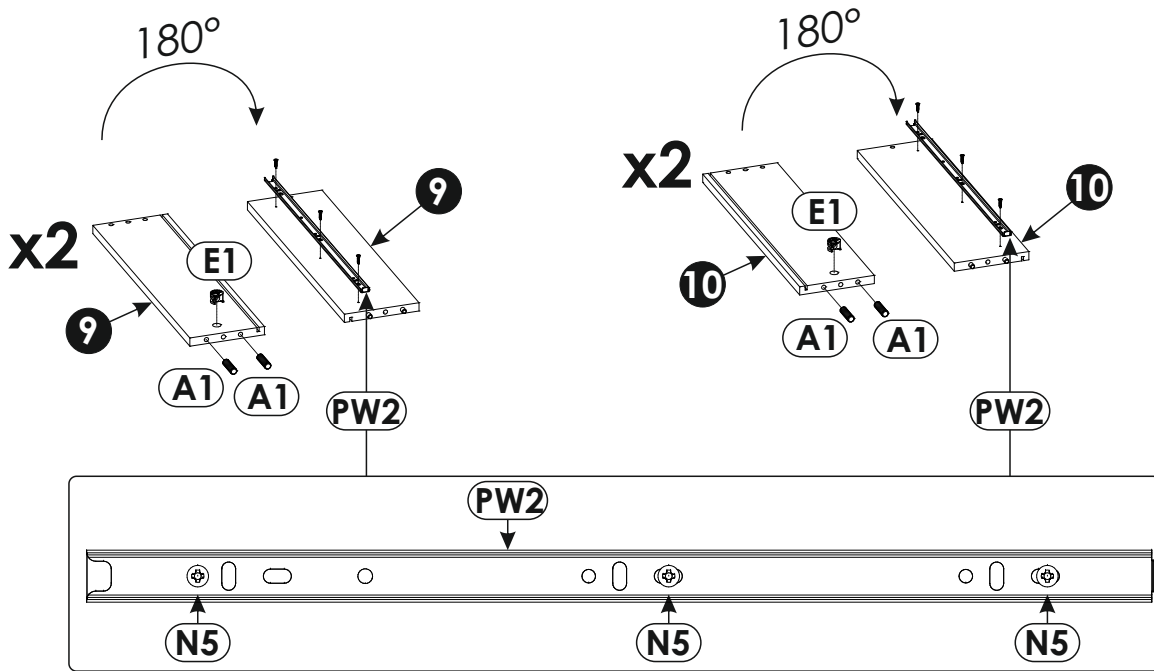
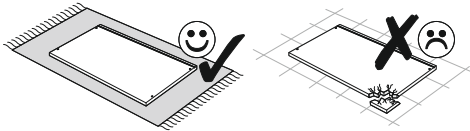
19 ▶



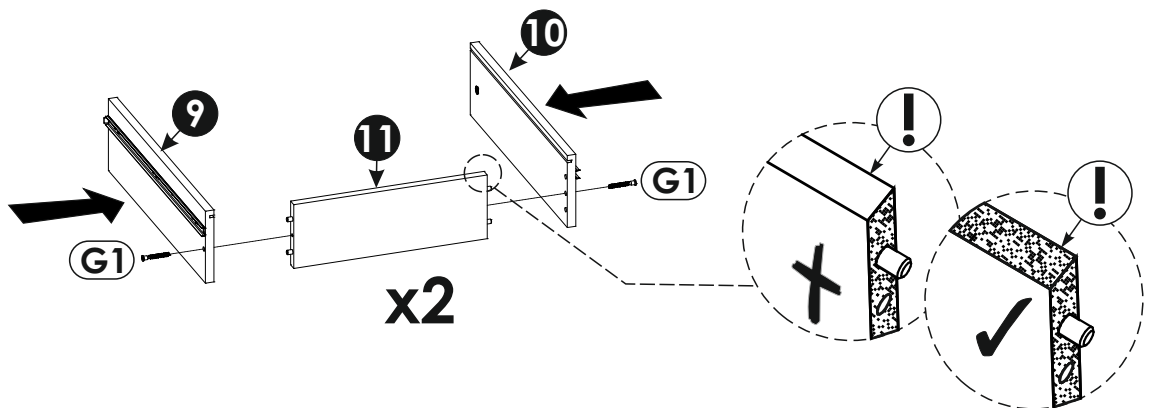
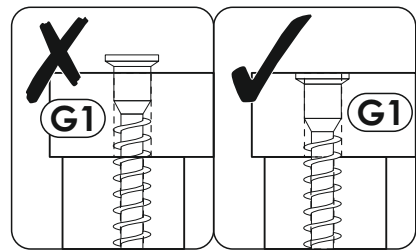
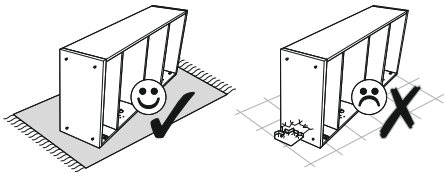
20 ▶



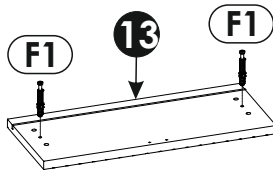
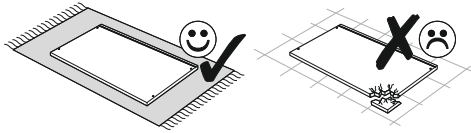
21 ▶



22 ▶

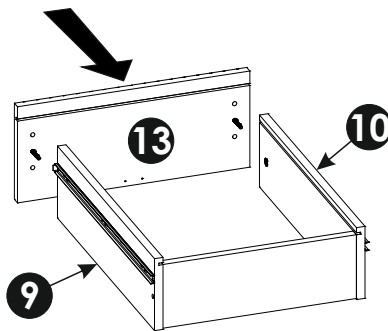
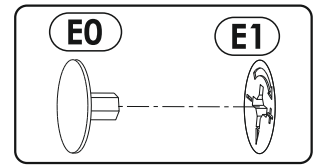
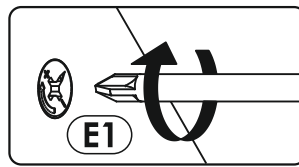
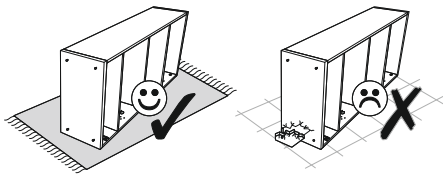


23 ▶



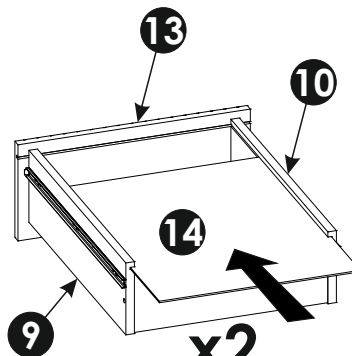
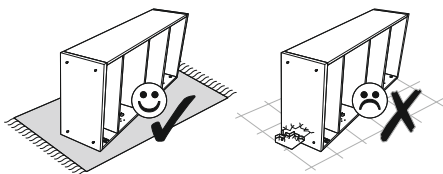
x2

24 ▶



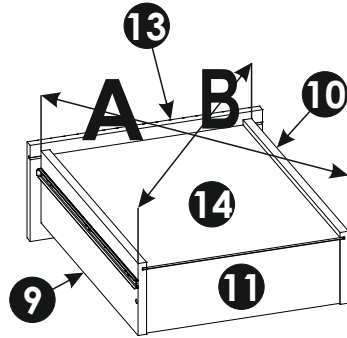
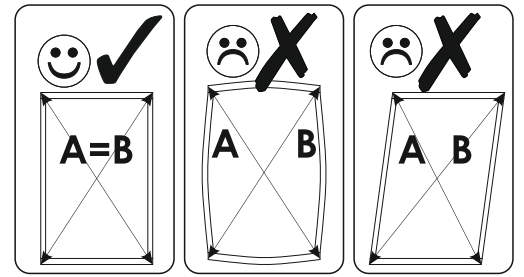
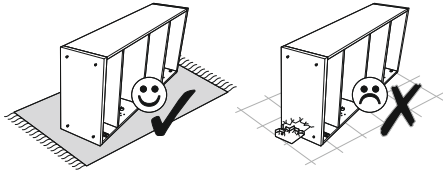
x2

25 ▶

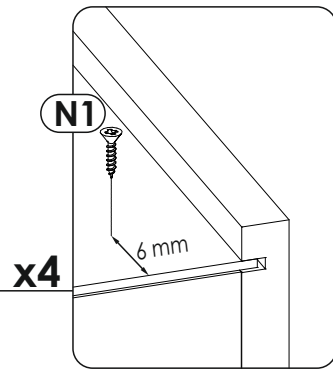
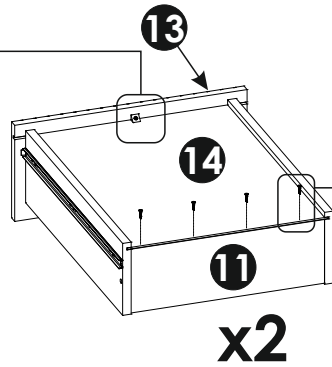
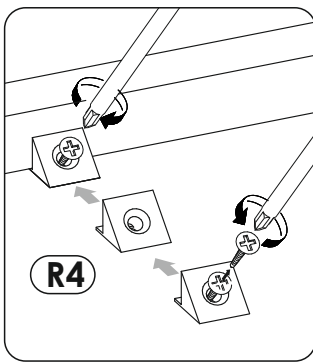
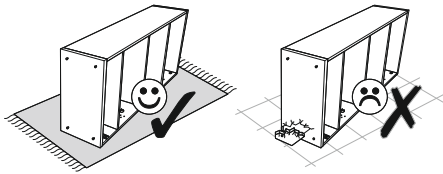


x2

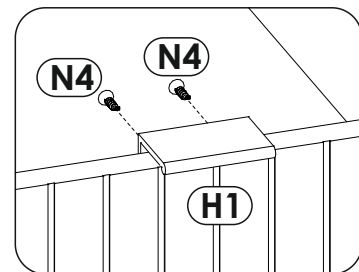
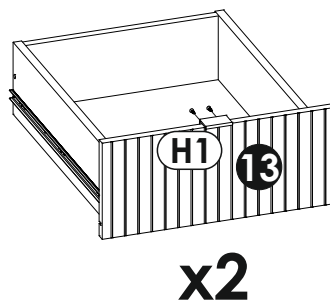
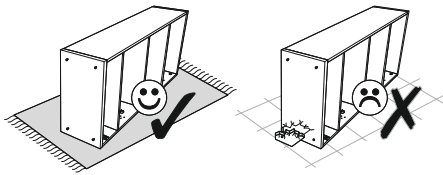
26 ▶



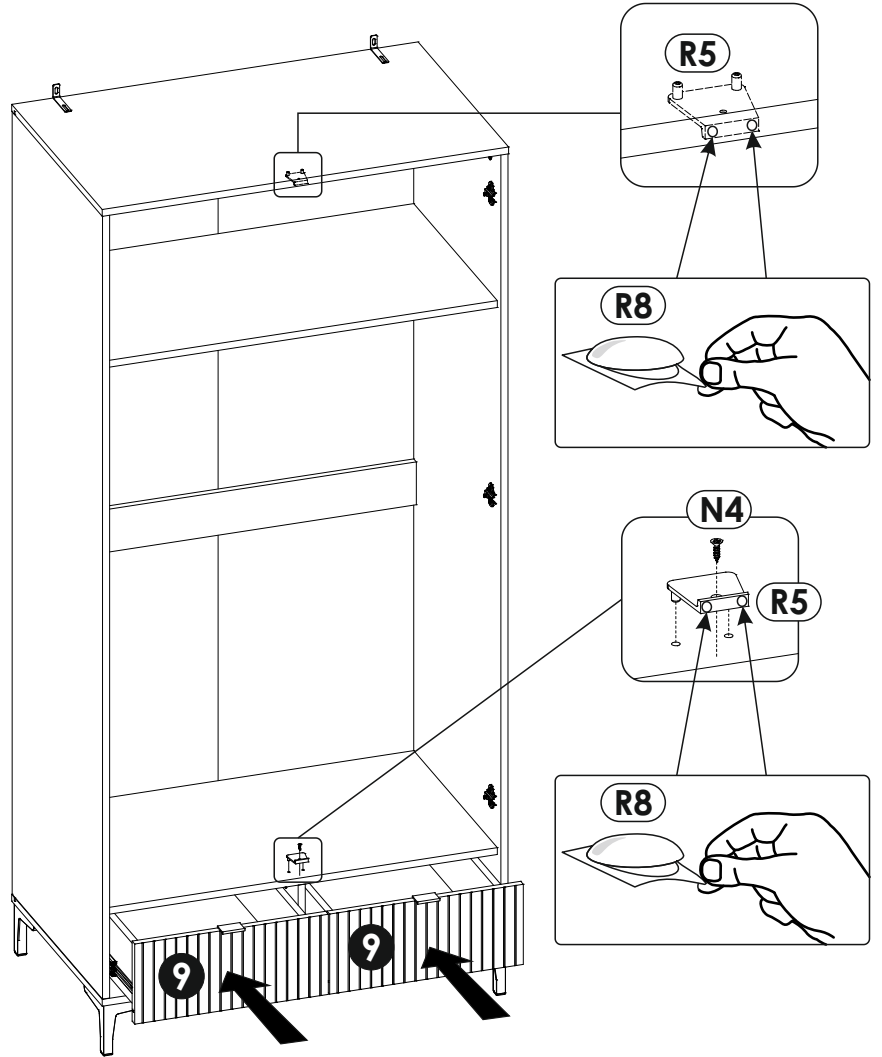
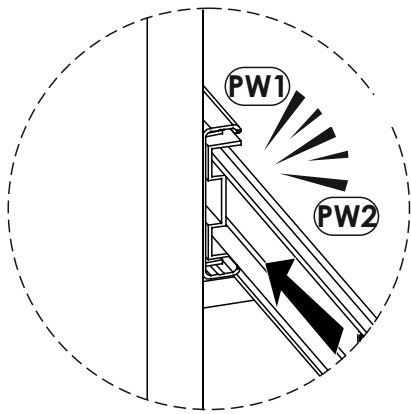
27 ▶



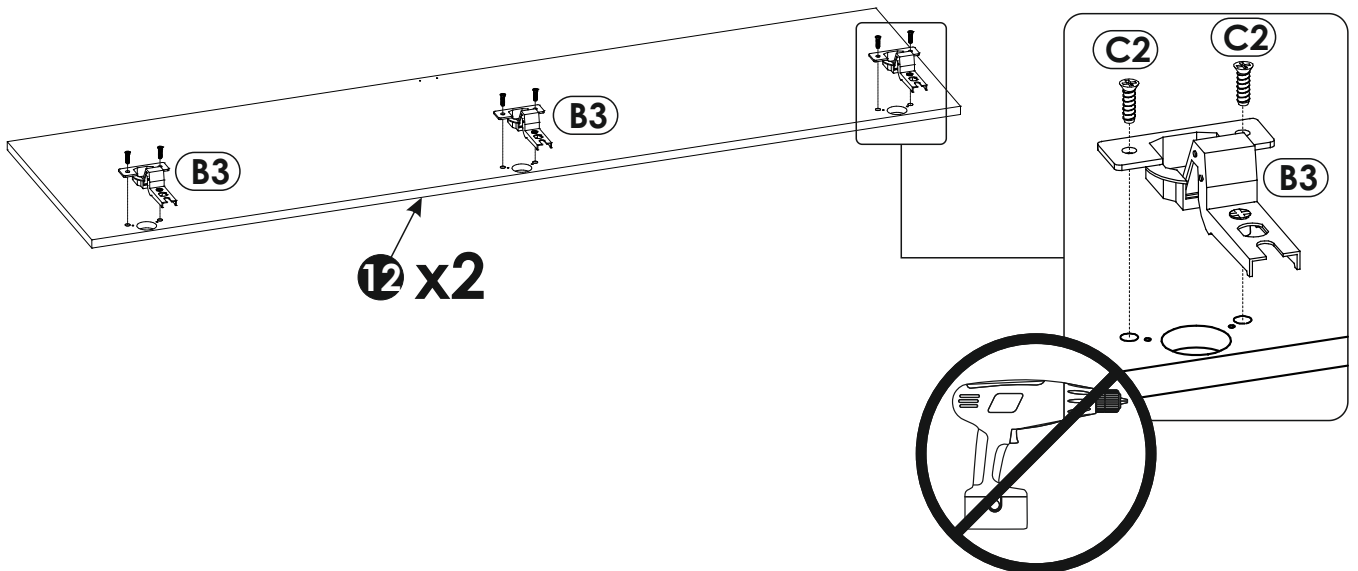
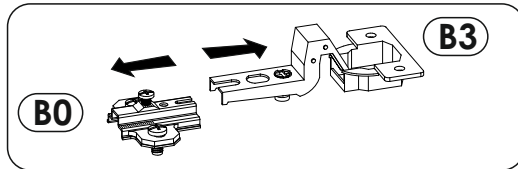
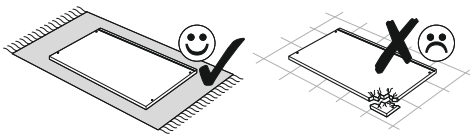
28 ▶



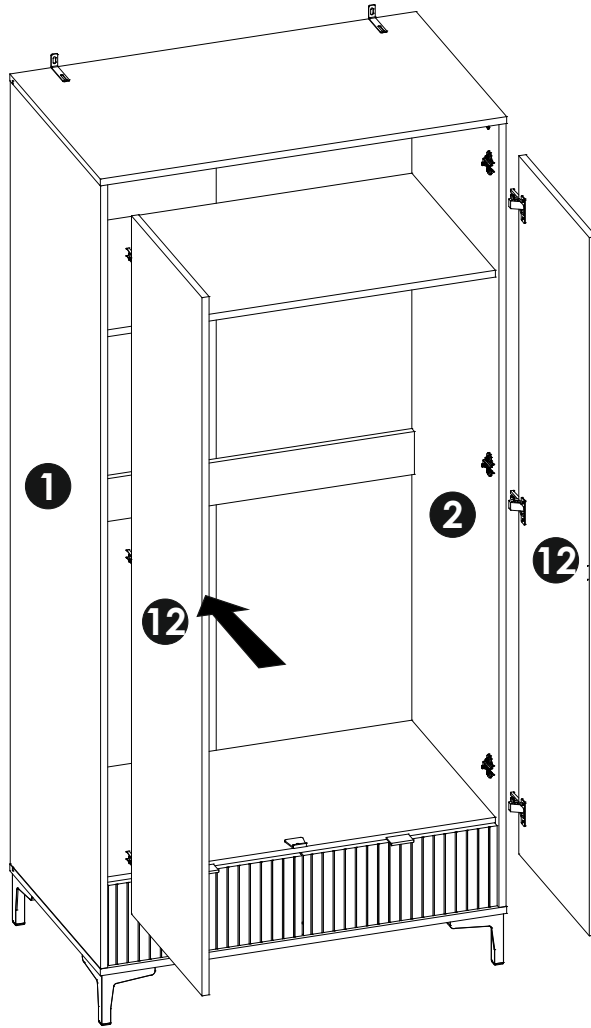
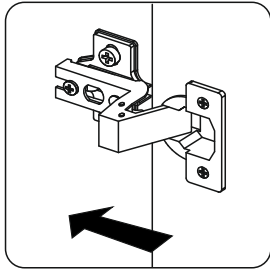
29 ▶

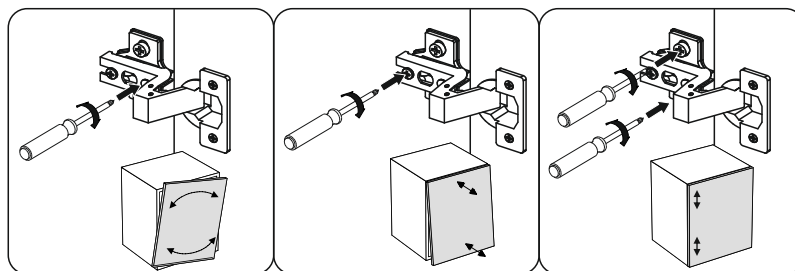
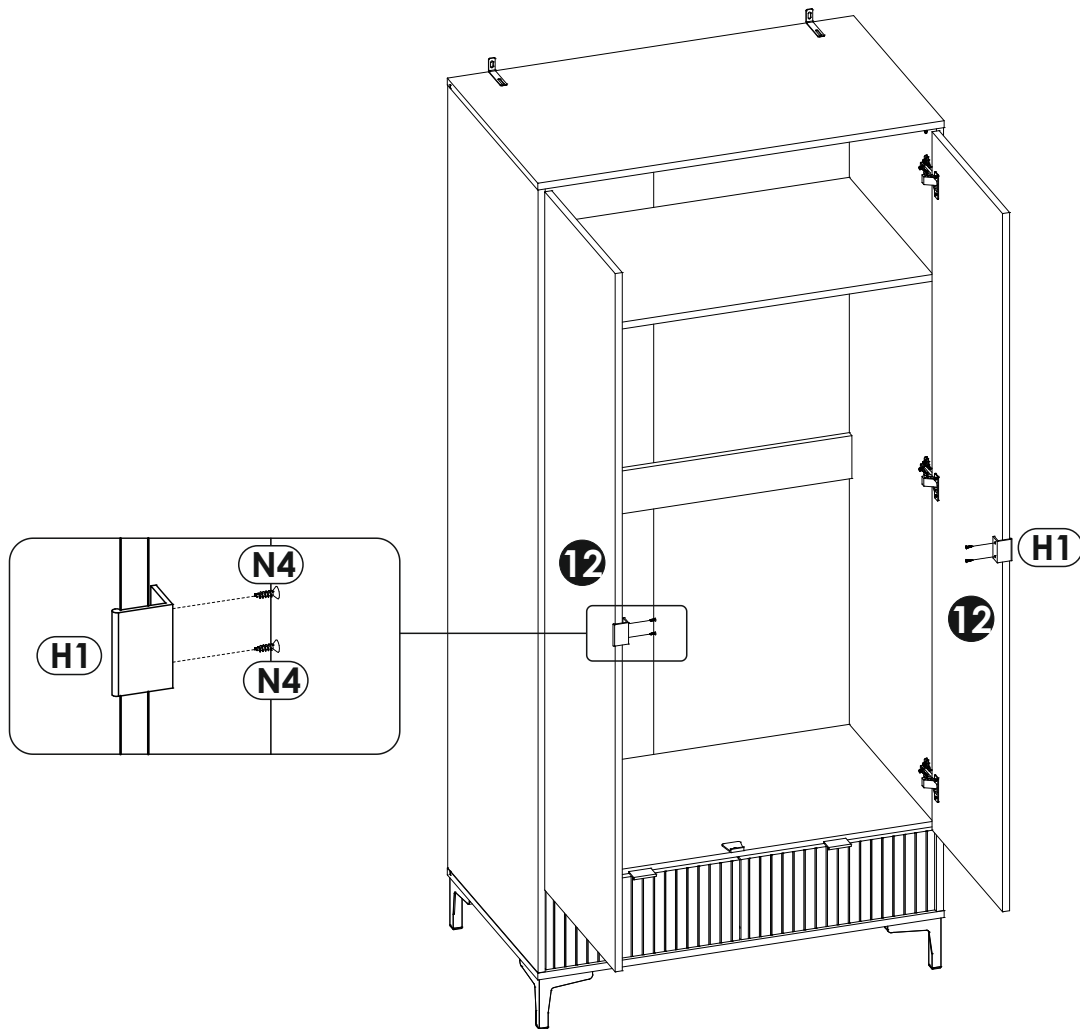


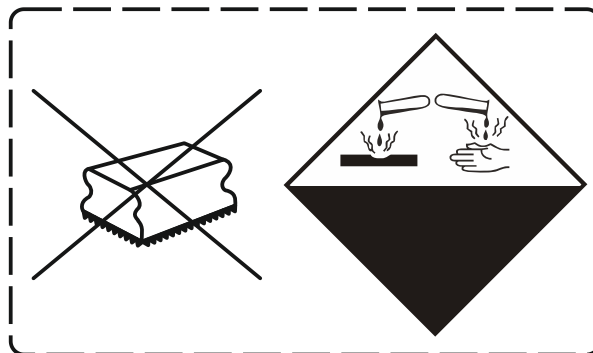
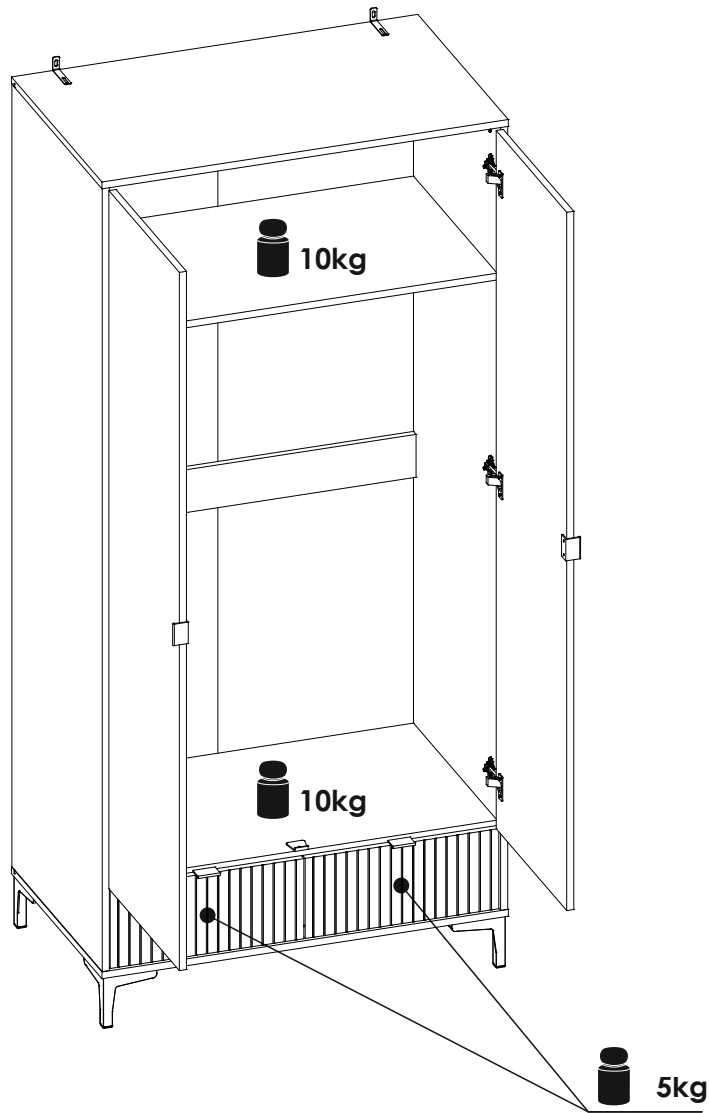
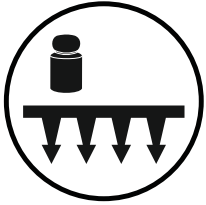
30 ▶

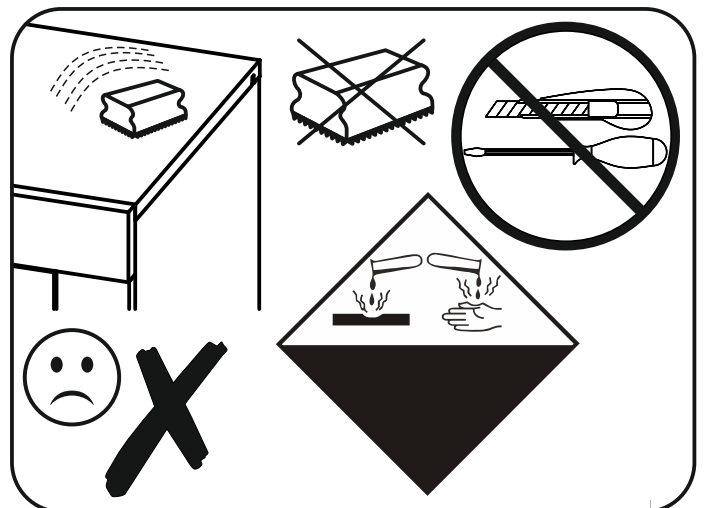
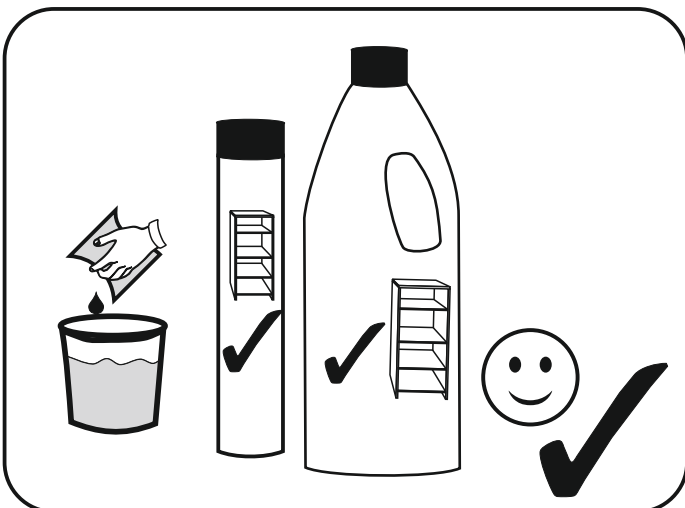
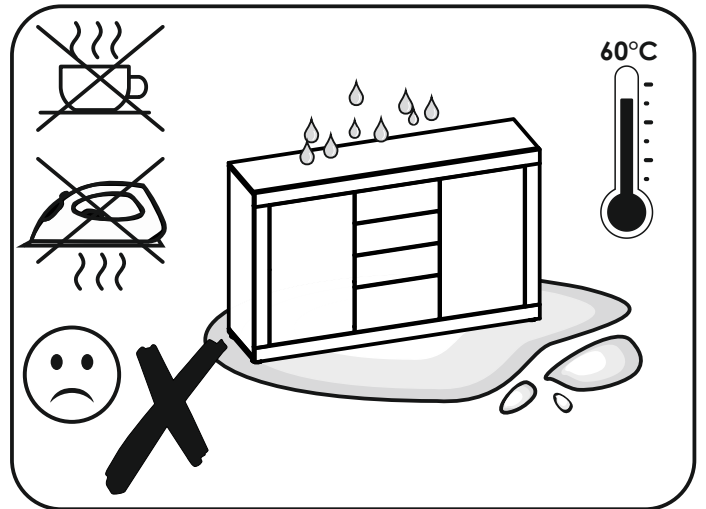
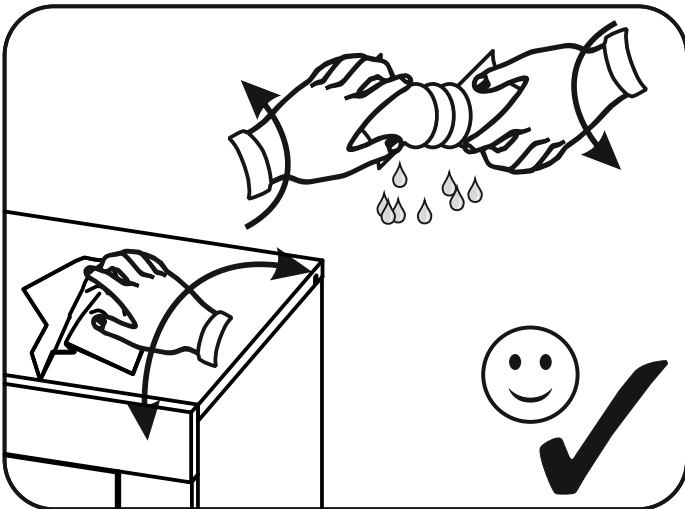
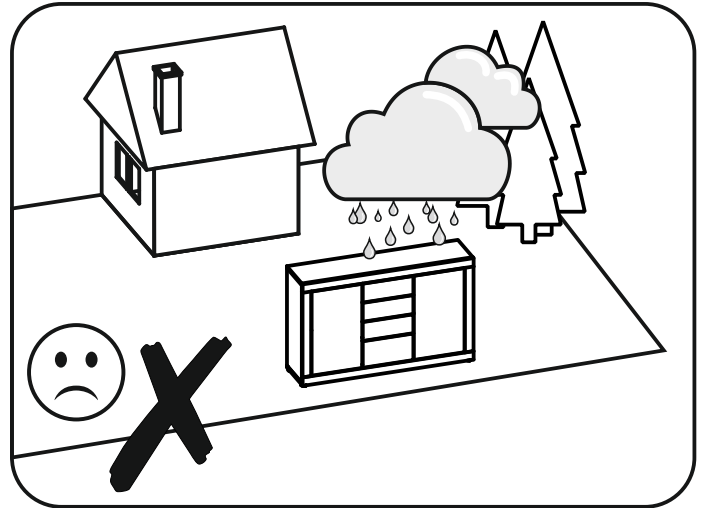
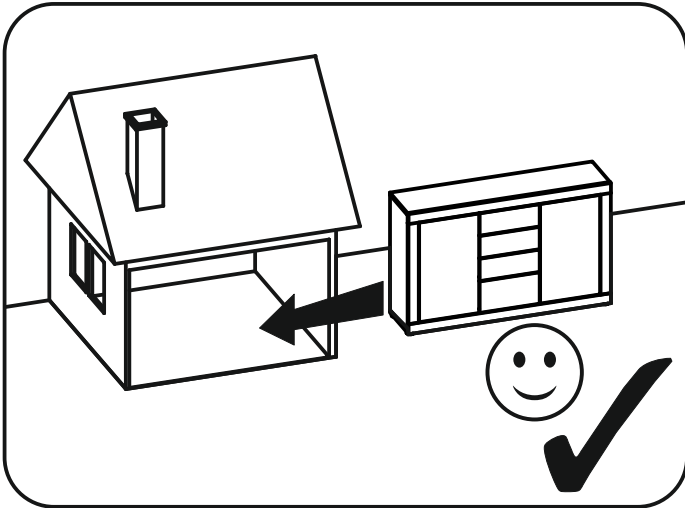
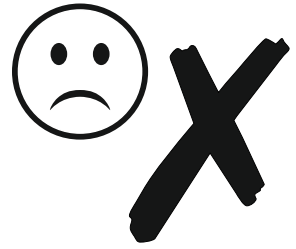


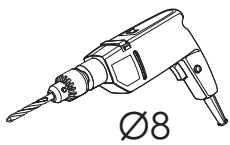
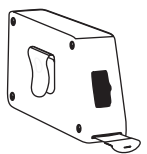
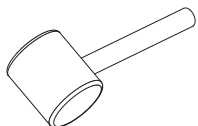
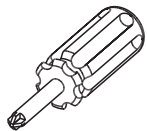
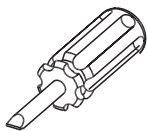
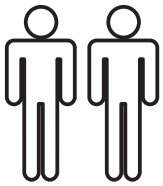
12 x 2









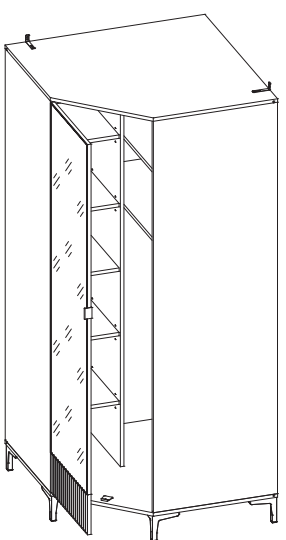


~198 cm

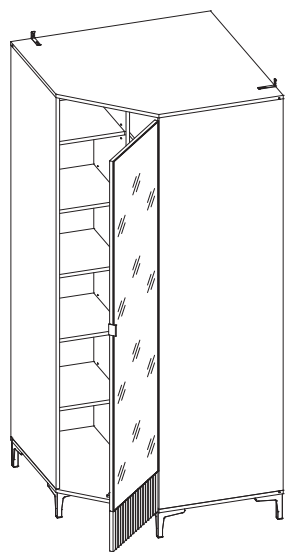
~90 cm

~90 cm

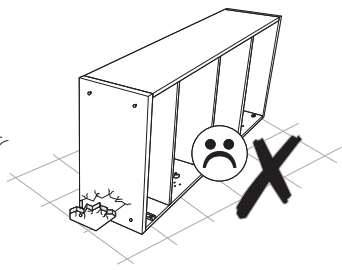
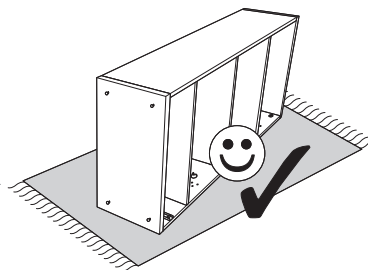
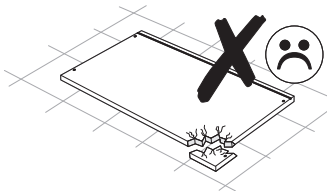
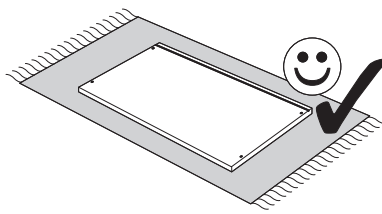
L

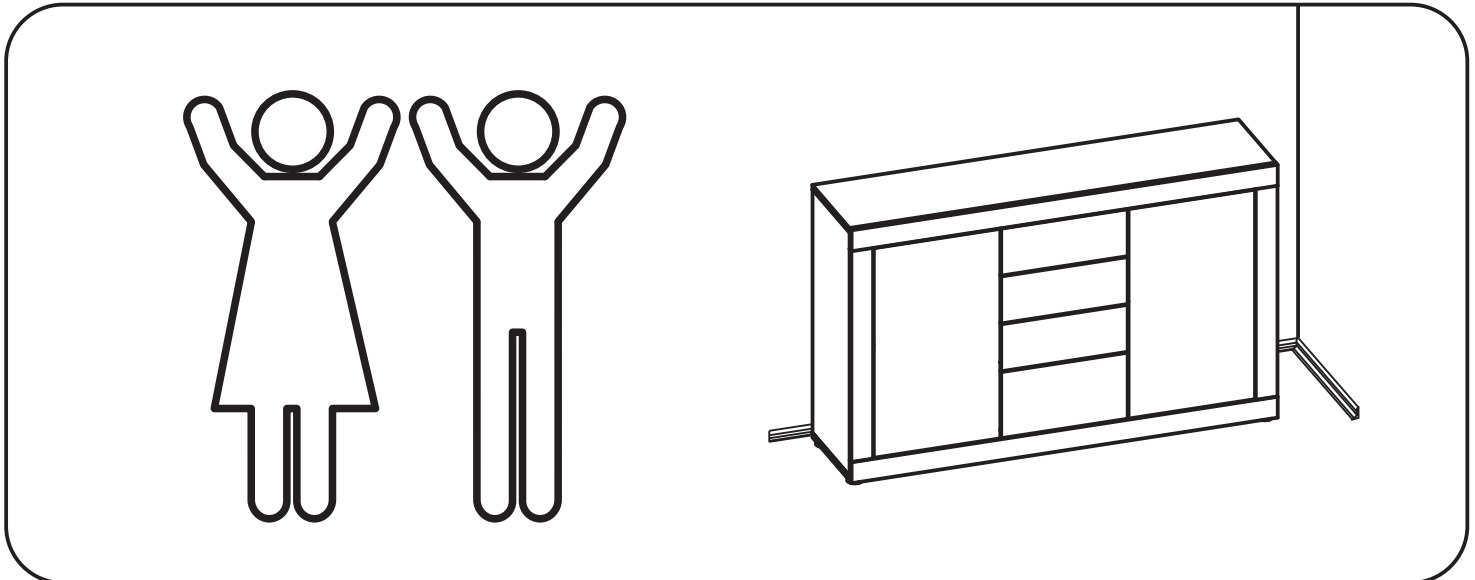
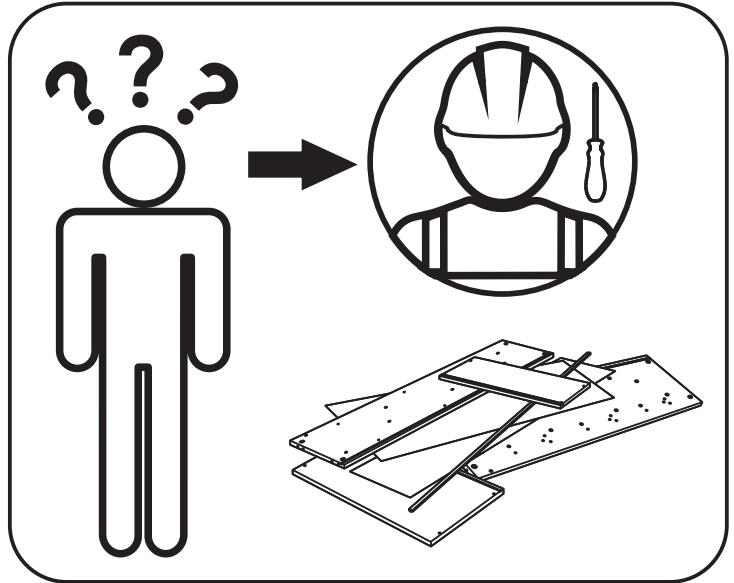
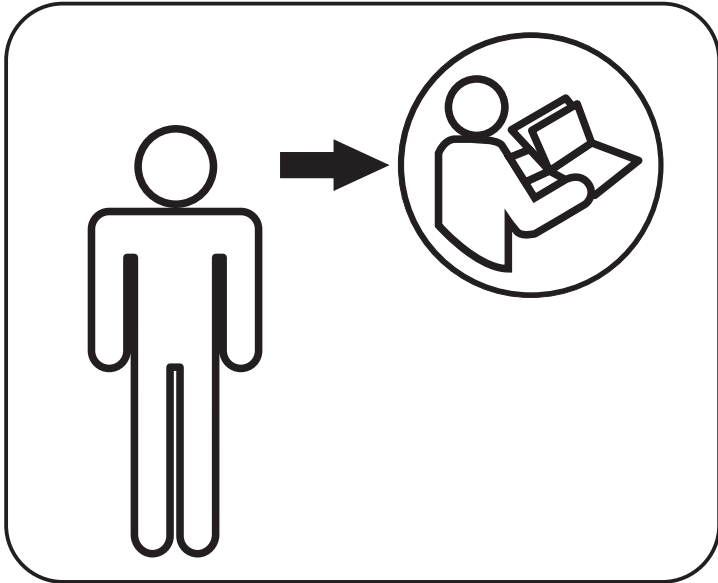
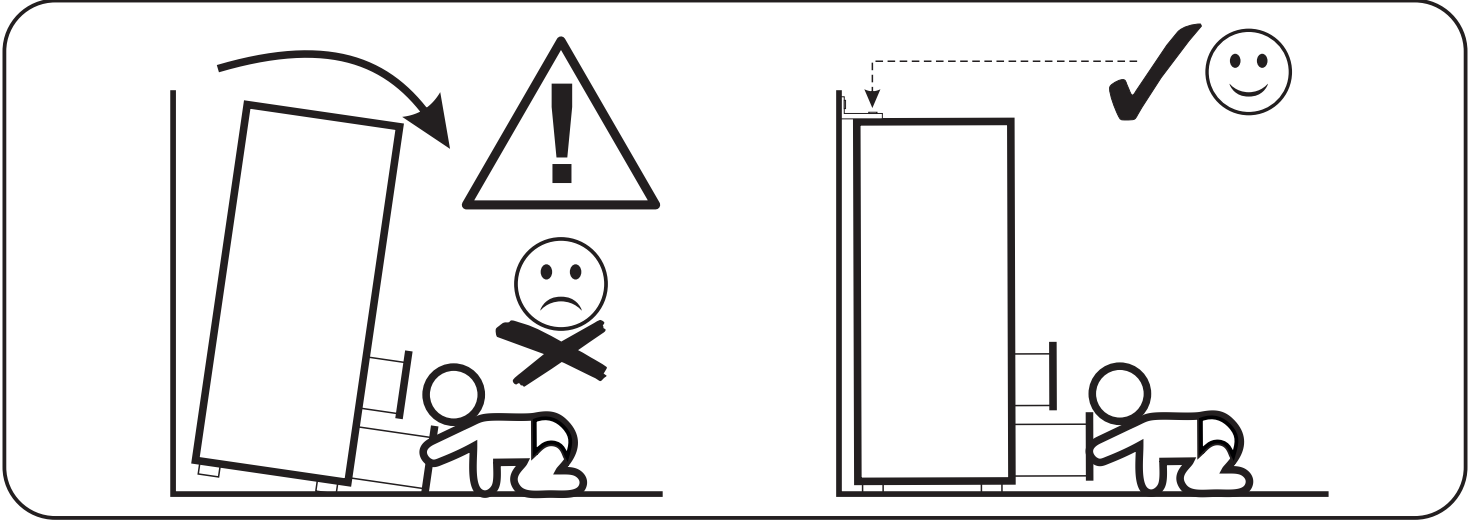
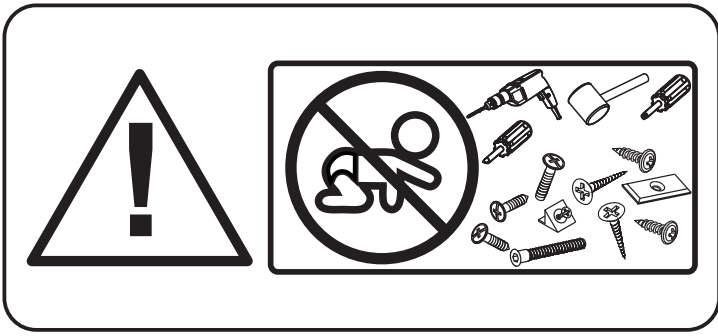


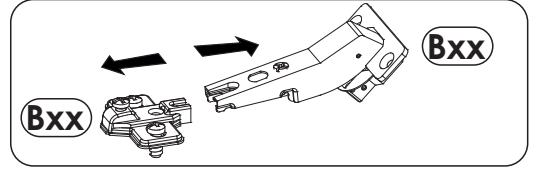
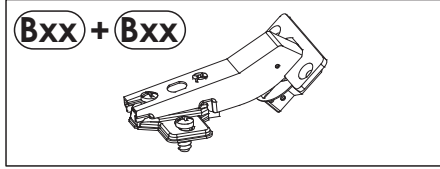
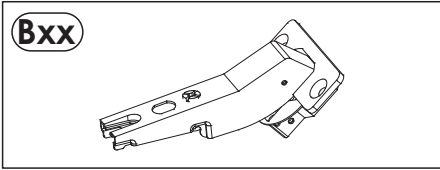
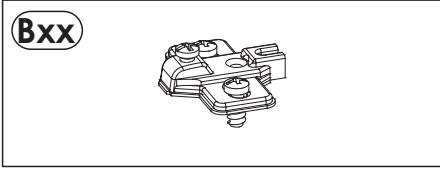
!



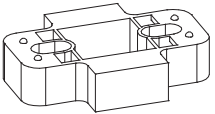
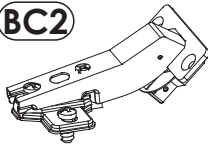
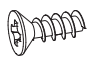
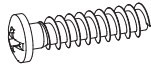
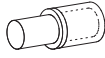

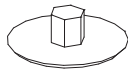

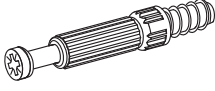
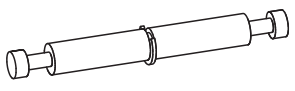
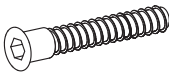
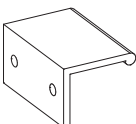
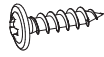
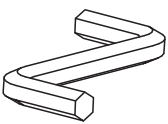



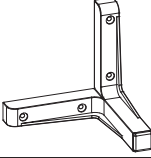
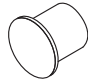
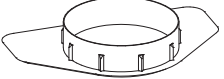
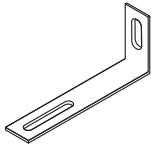
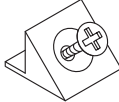
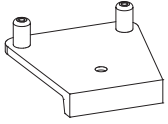
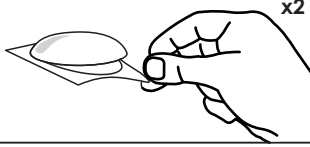
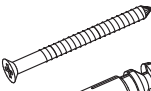
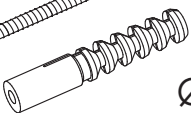

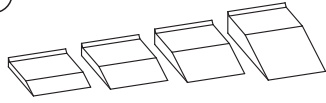


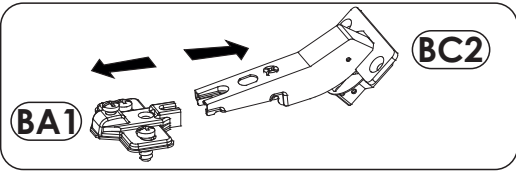
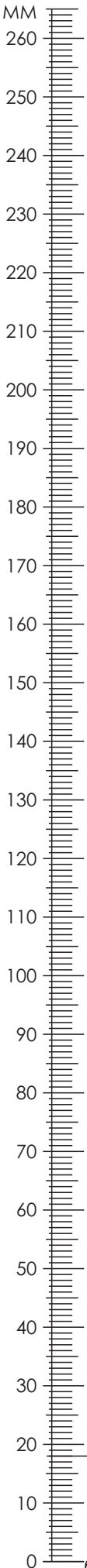
R

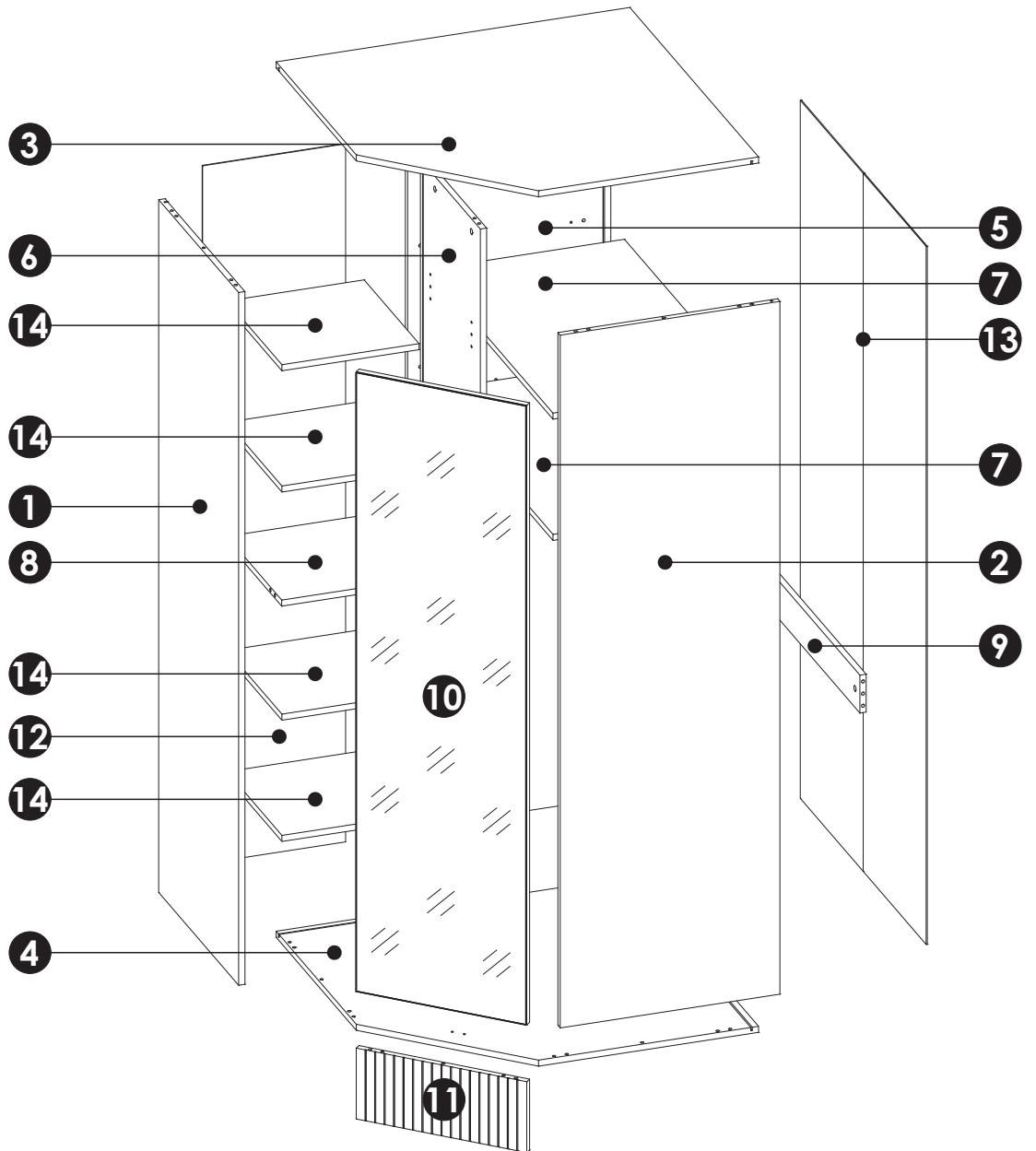
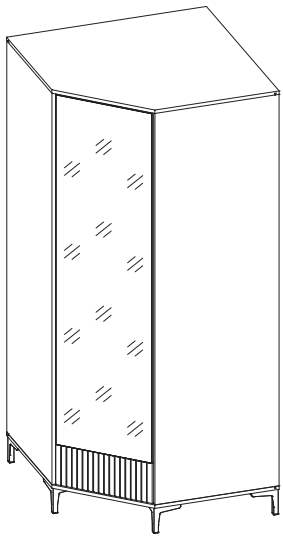






A1 8 x 35 mm x36 	A2 8 x 45 mm x3 	BZ  x4
BA1 + BC2 x4 	C2 4 x 13 mm x8 	C10 6,3 x 24 mm x8 
D2 x16 	DR x1 L - 857 mm 	E0 Ø16 x26 
E1 15 x 12 mm x26 	F1 6 x 34 mm x22 	F3 7 x 64 mm x2 
G1 7 x 50 mm x8 	H1 x1 L - 50 mm 	I2 4 x 16 mm x2 
M x1 	N4 3,5 x 13 mm x4 	N5 3,5 x 16 mm x2 
N7 3,5 x 30 mm x20 	O12 x5 	P0 x8 
P23 x4 	Q9 x2 	R4 x26 
R5 x2 	R8 x2 	S13 x2   Ø8
UD x2 	Z x1 	

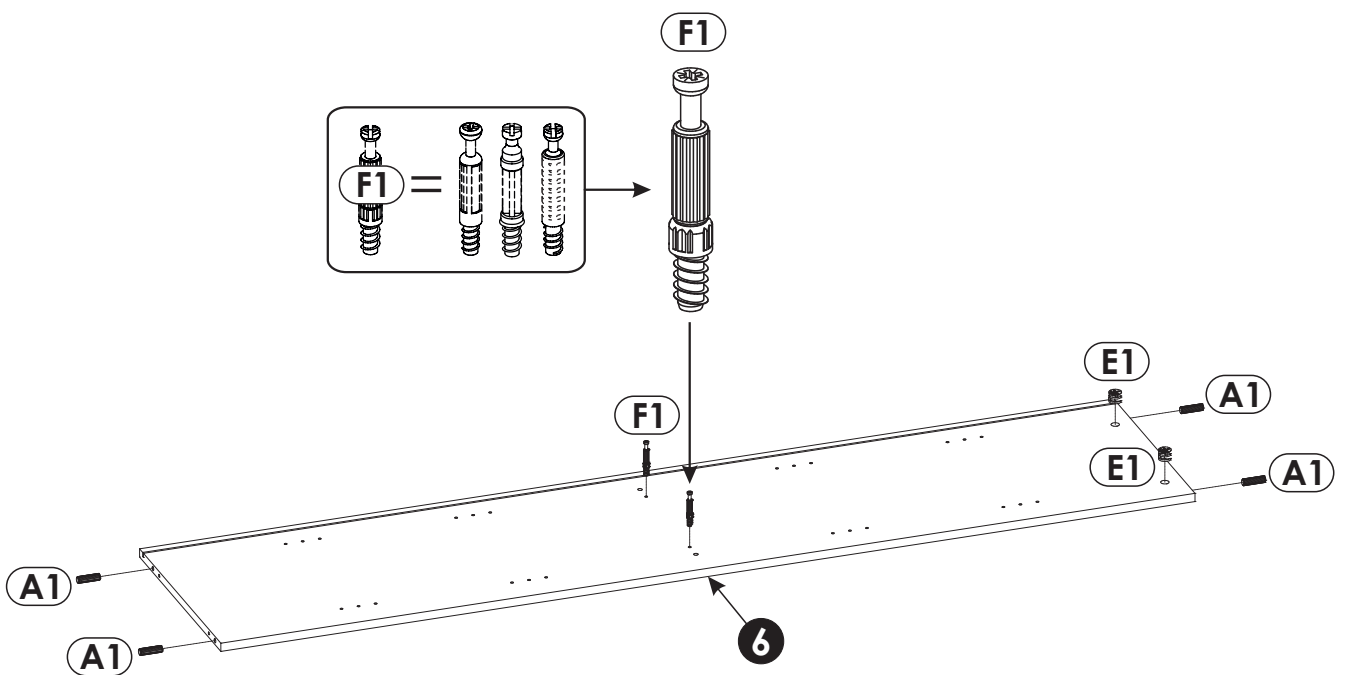
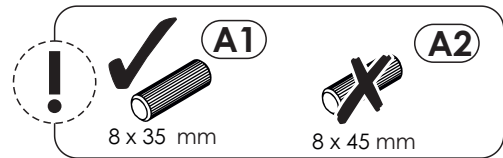
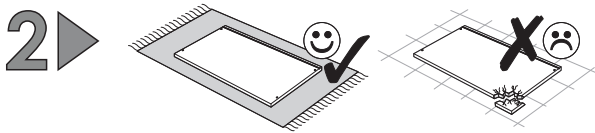
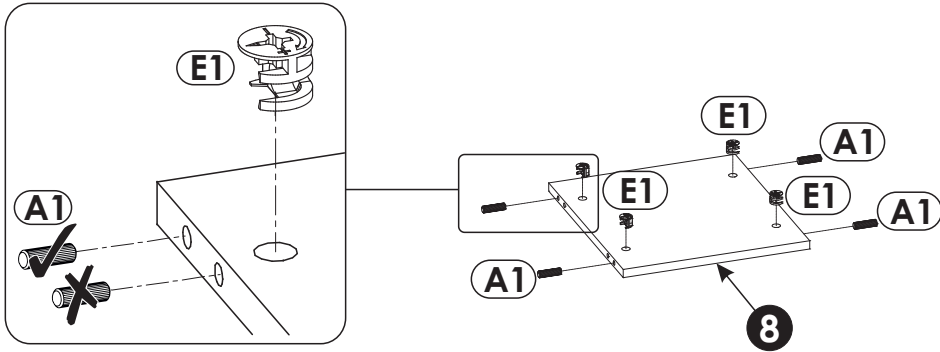
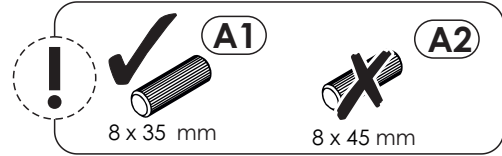
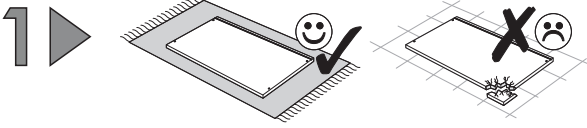
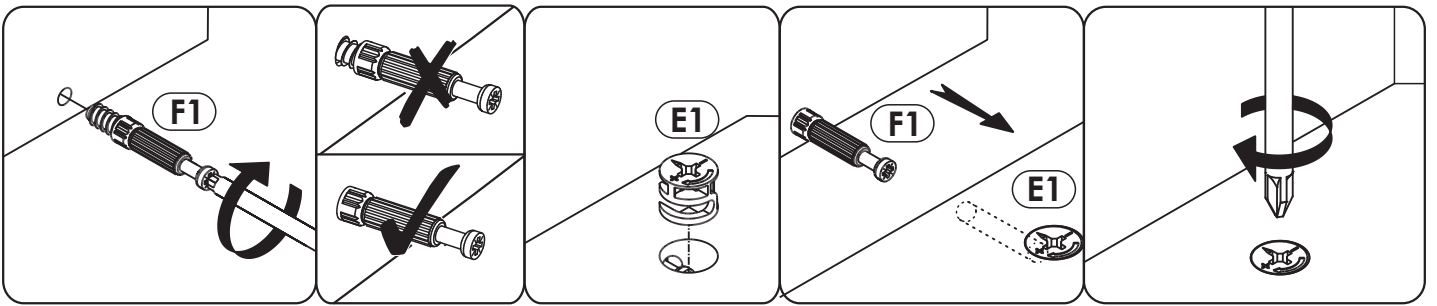


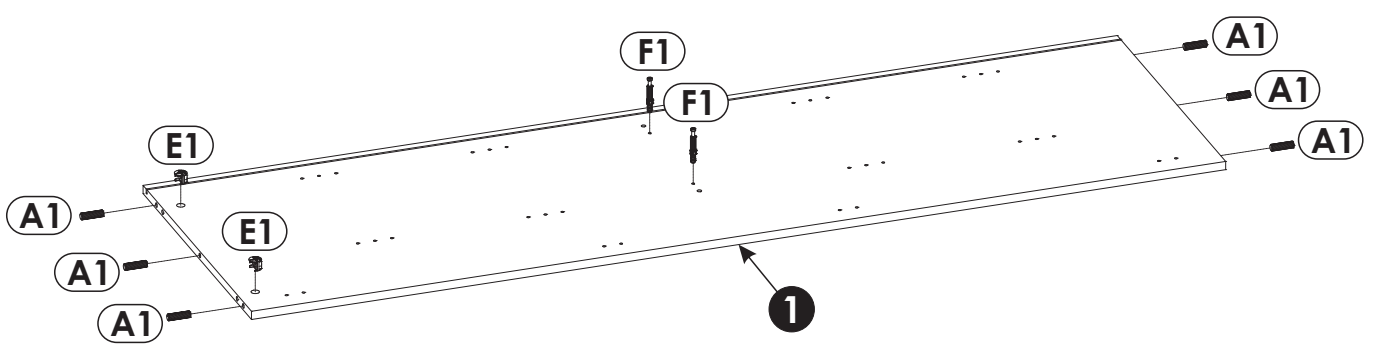
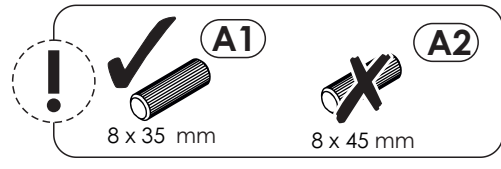
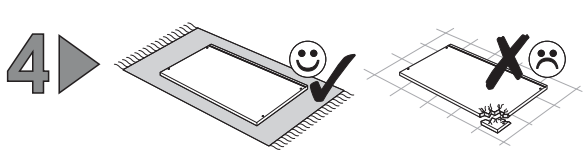
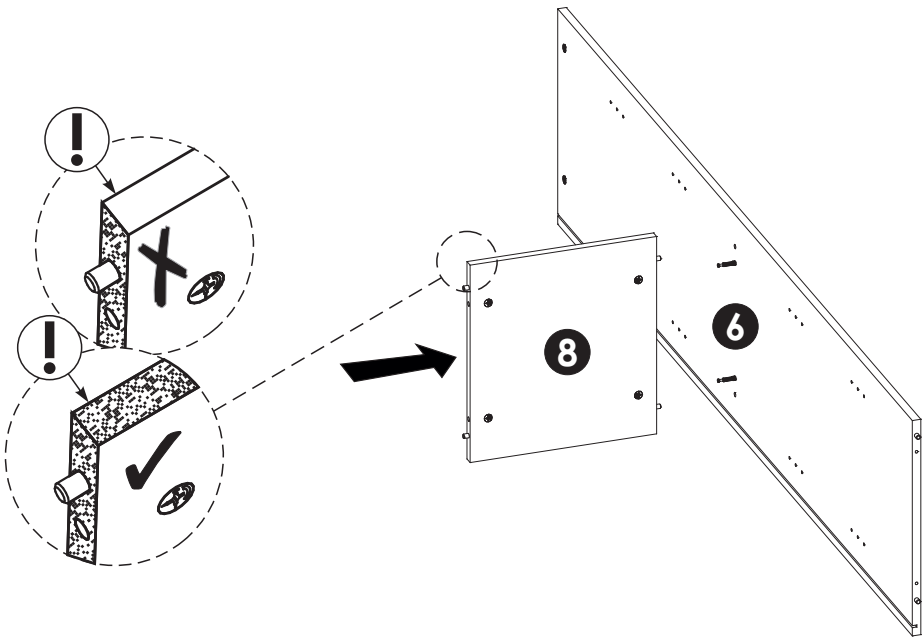
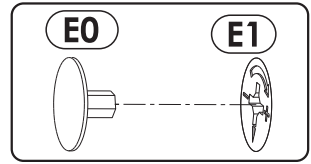
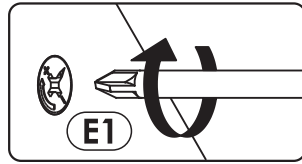
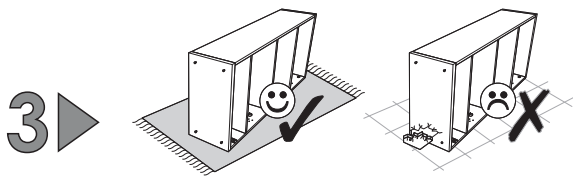


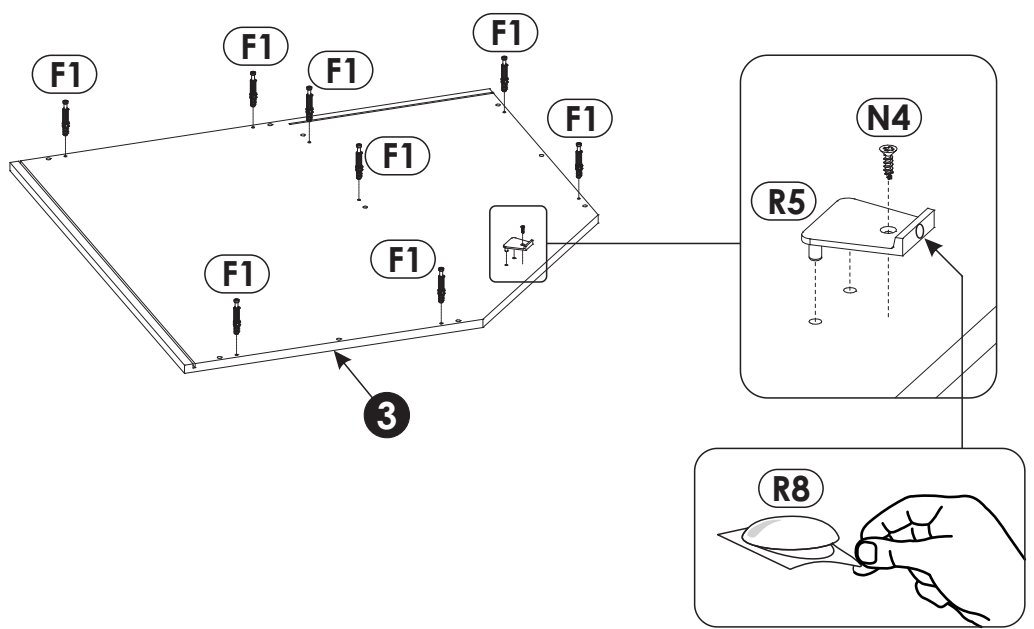
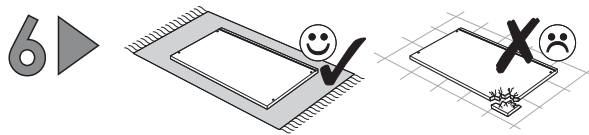
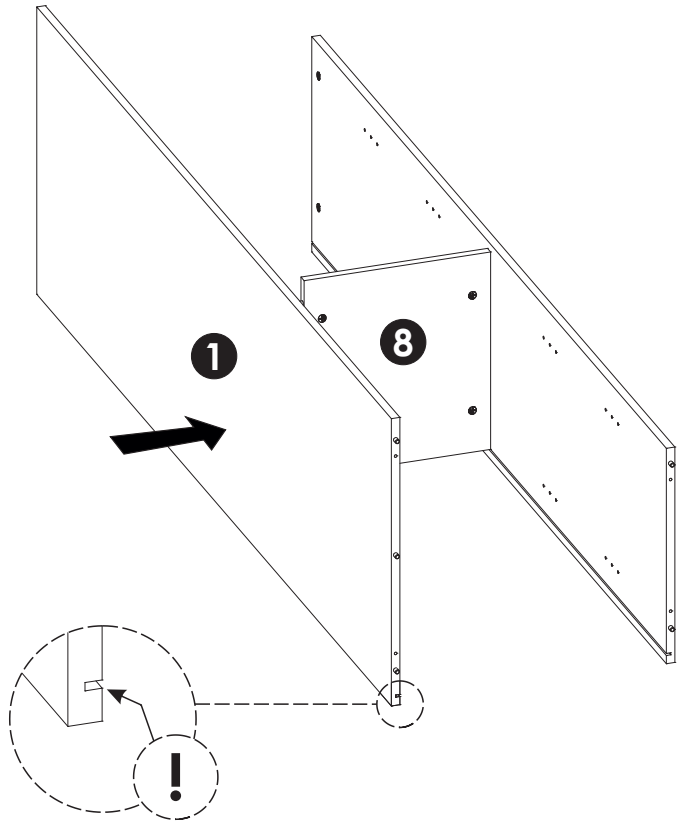
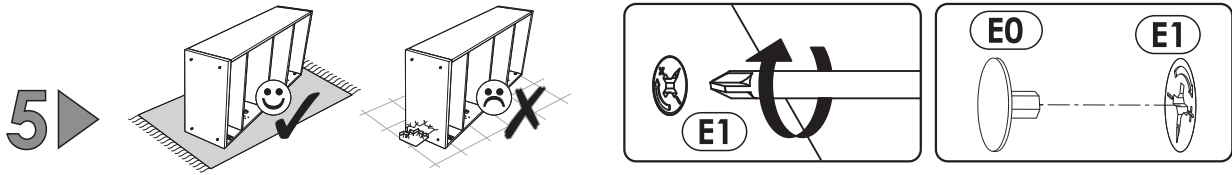
1	1828	559	16	x1	3/4
2	1828	559	16	x1	3/4
3	900	900	16	x1	2/4
4	900	900	16	x1	2/4
5	1828	517	16	x1	4/4

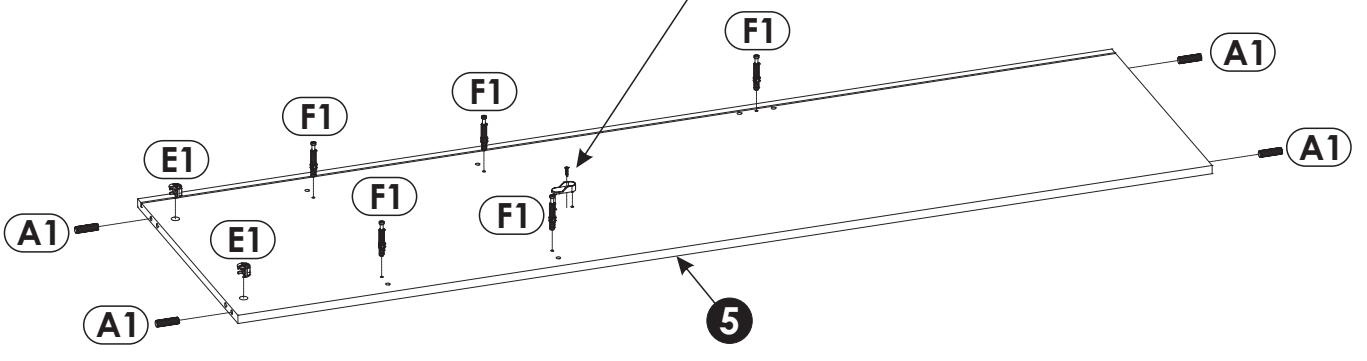
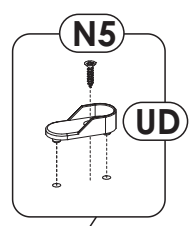
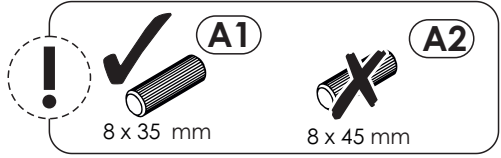
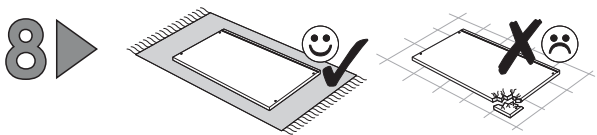
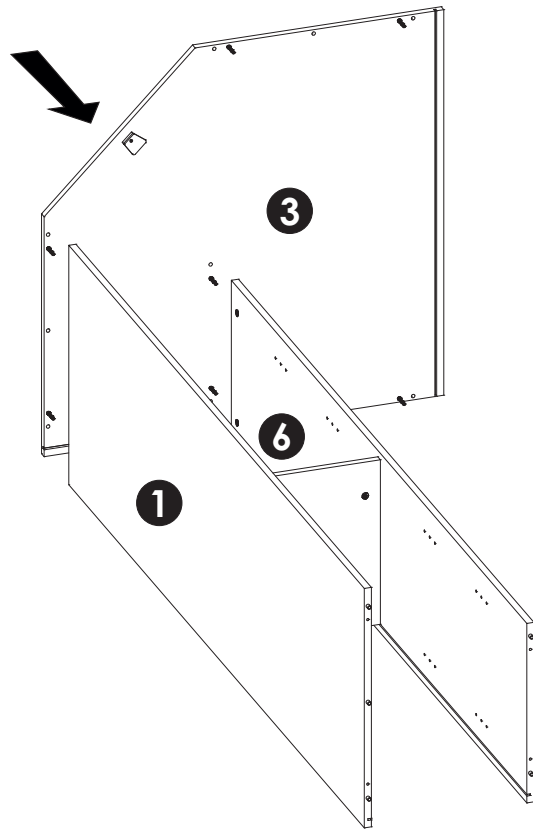
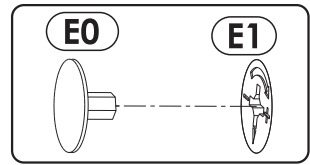
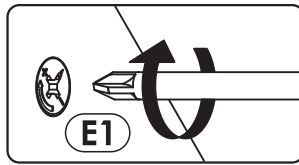
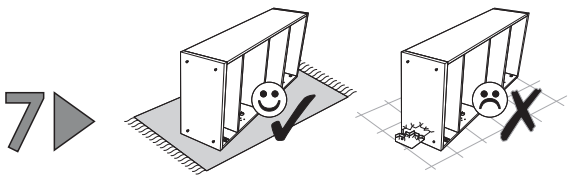
6	1828	419	16	x1	4/4
7	866	497	16	x2	1/4
8	350	384	16	x1	1/4
9	866	100	16	x1	1/4
10	1635	450	20	x1	4/4

11	187	450	16	x1	1/4
12	1842	364	3	x1	3/4
13	1842	440	3	x2	3/4
14	349	384	16	x4	1/4

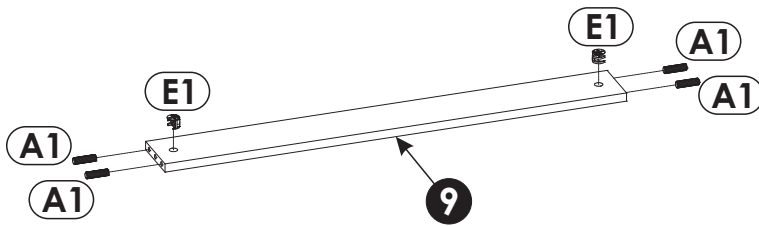
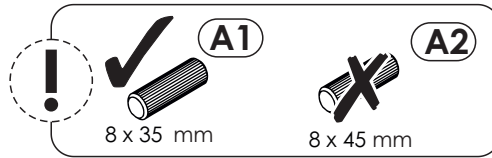
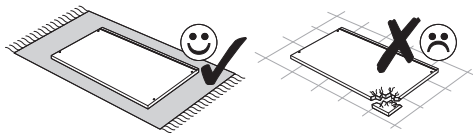




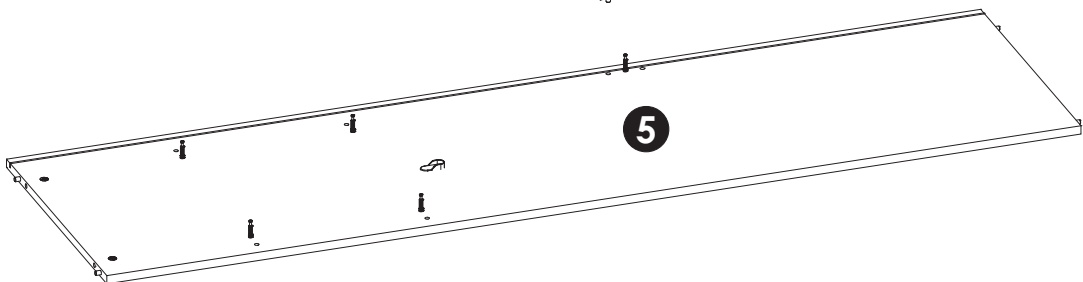
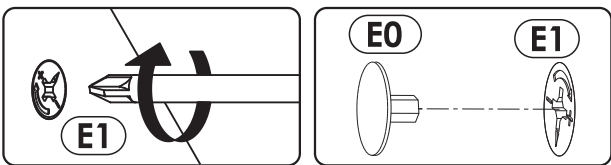
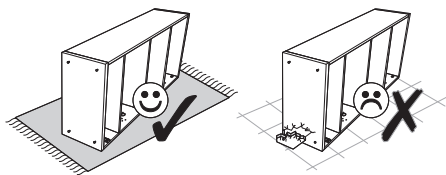




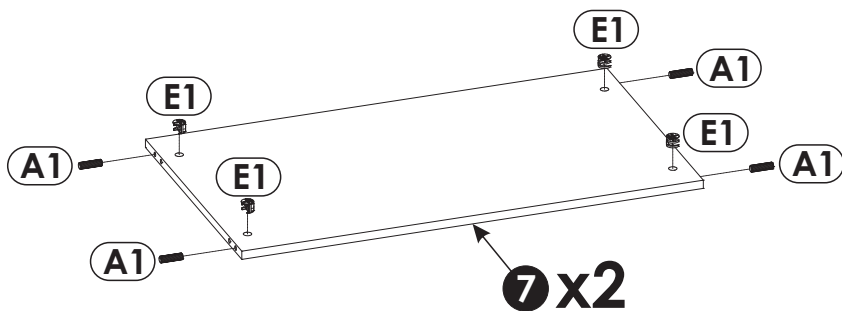
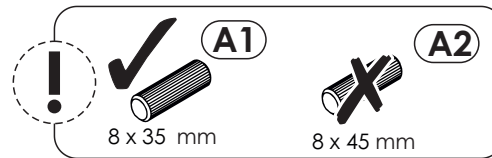
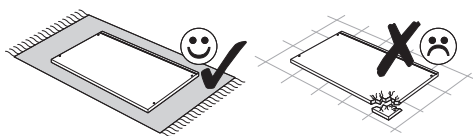
9 ▶



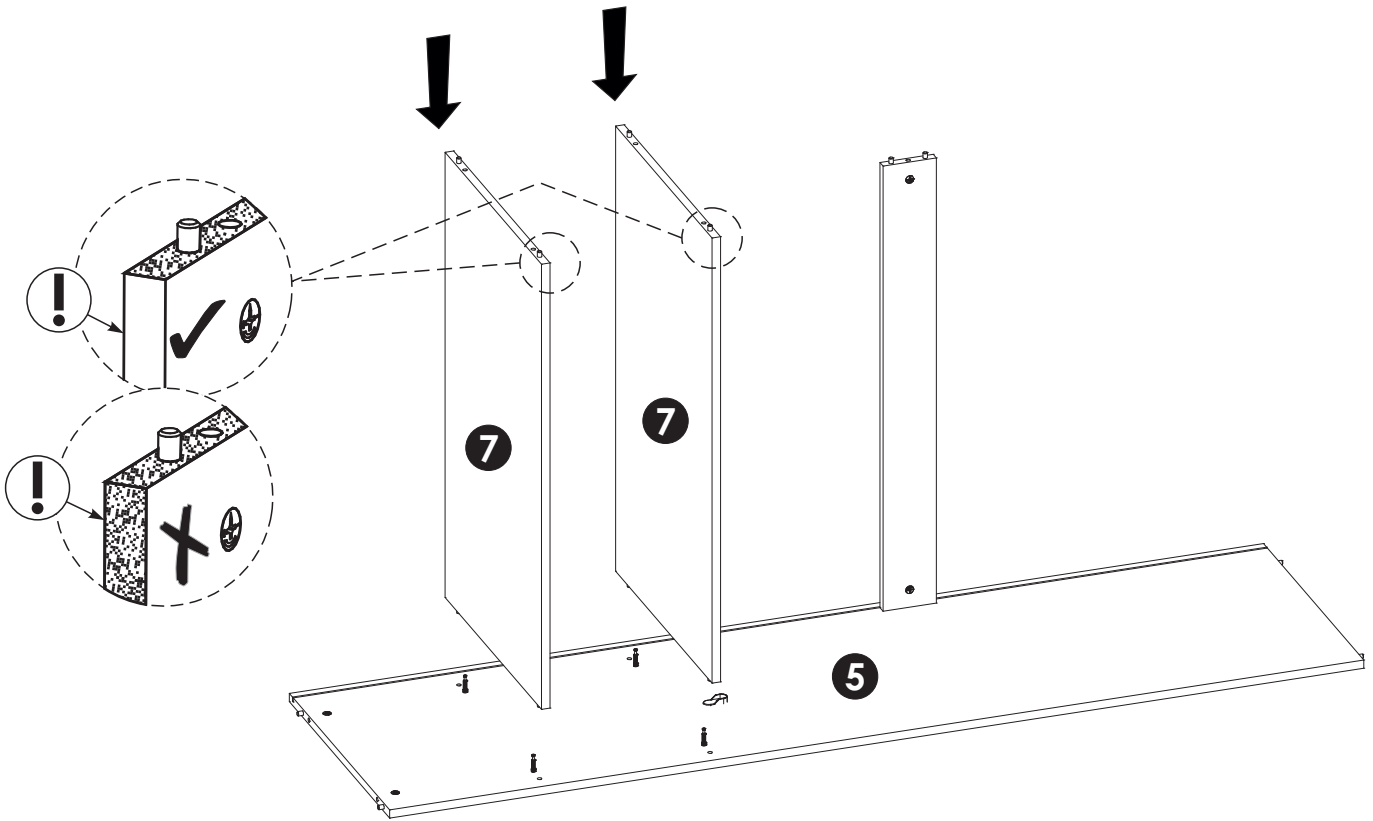
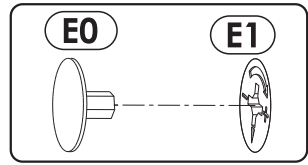
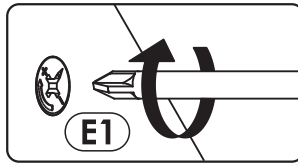
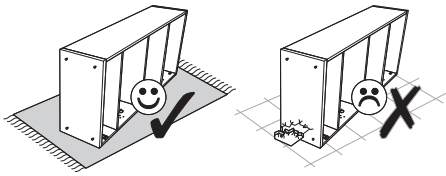
10 ▶



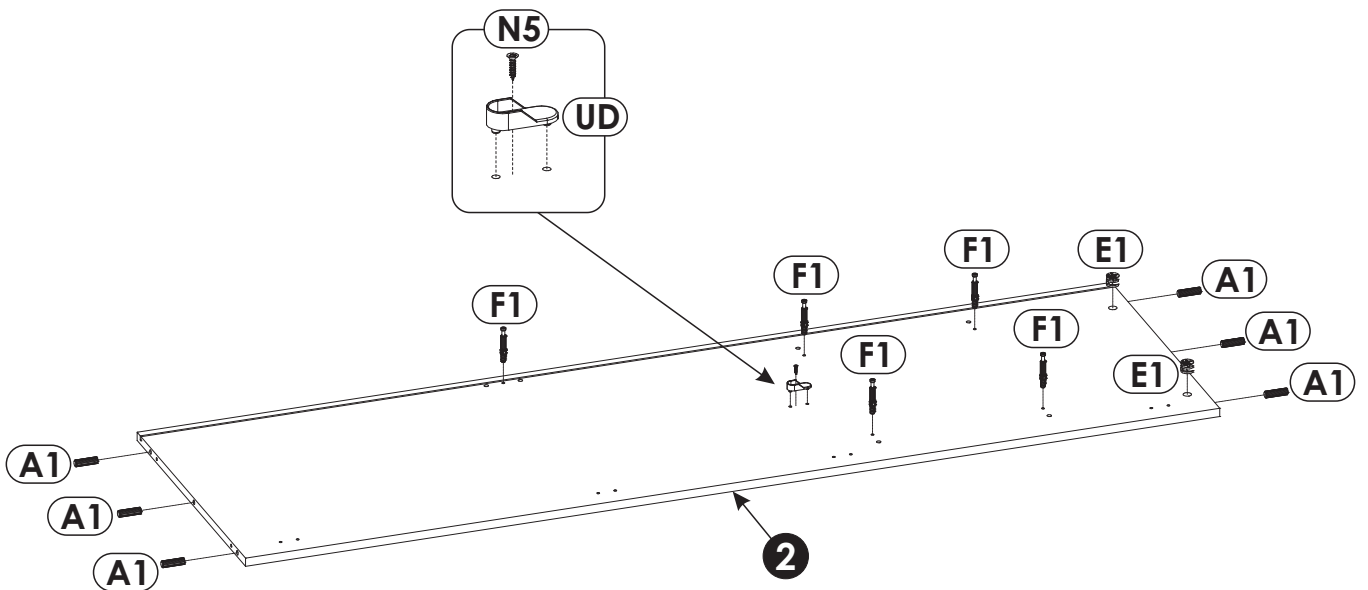
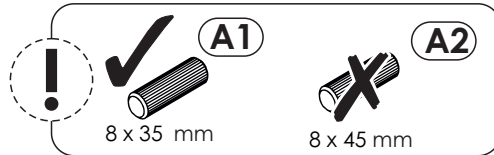
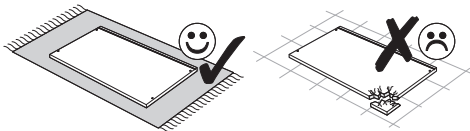
11 ▶



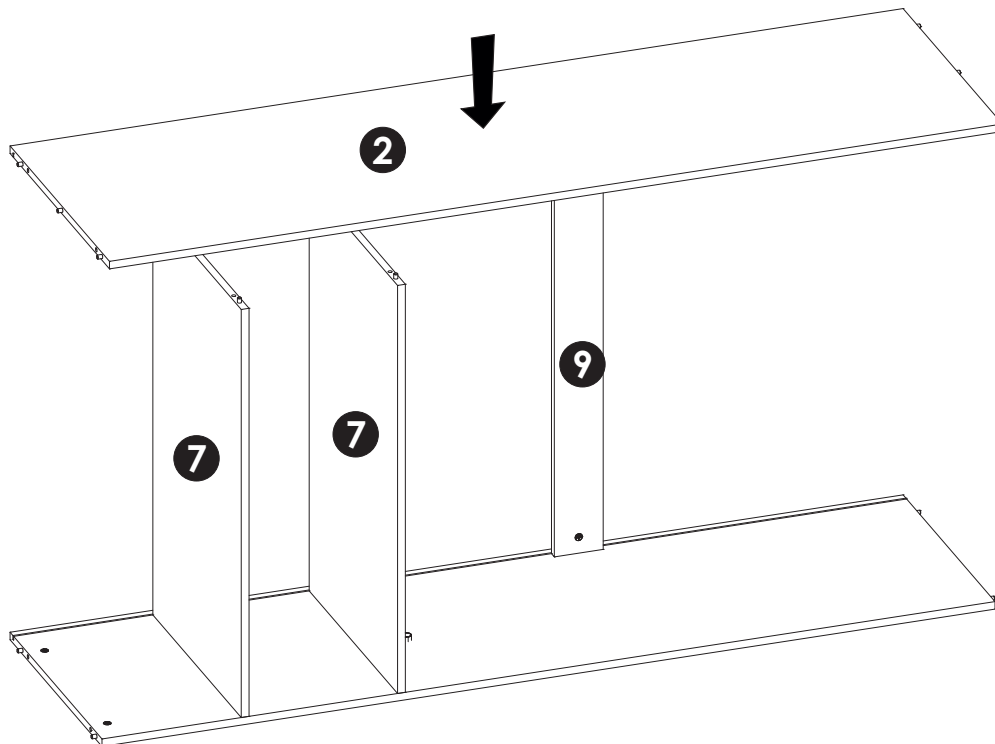
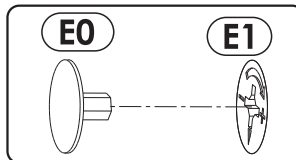
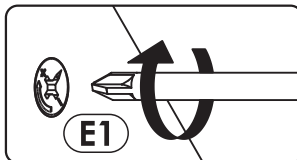
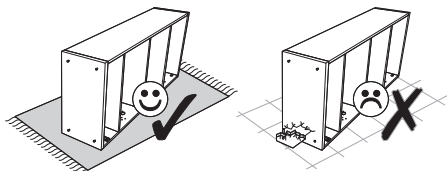
12 ▶



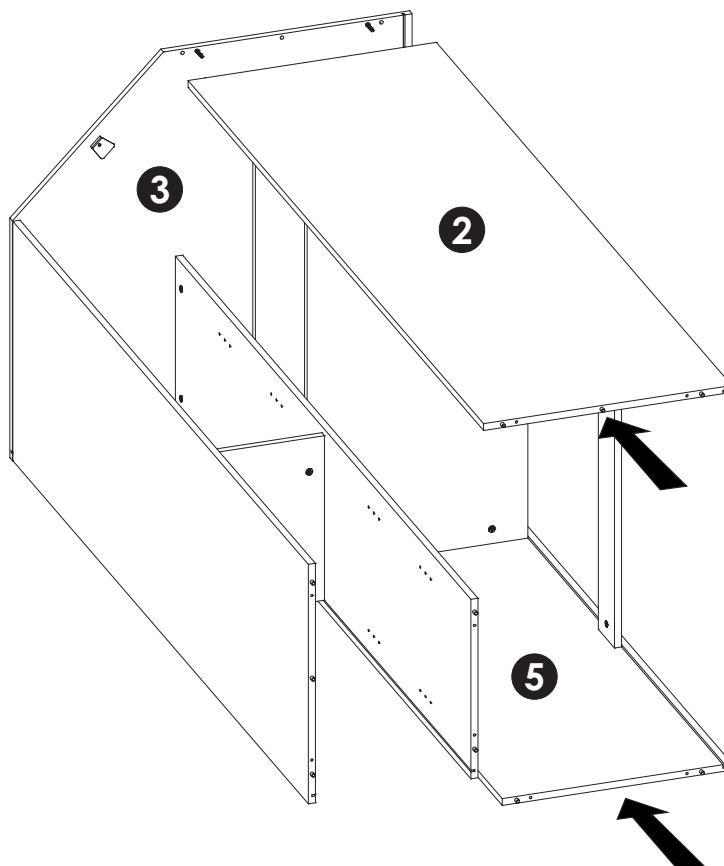
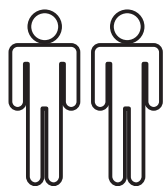
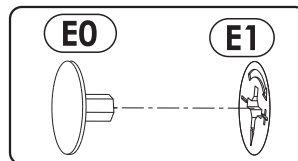
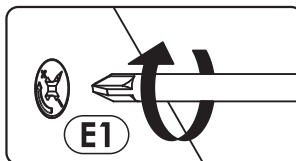
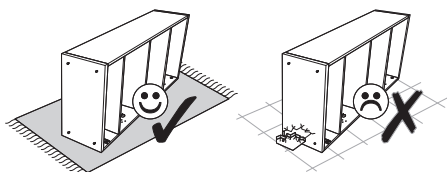
13 ▶



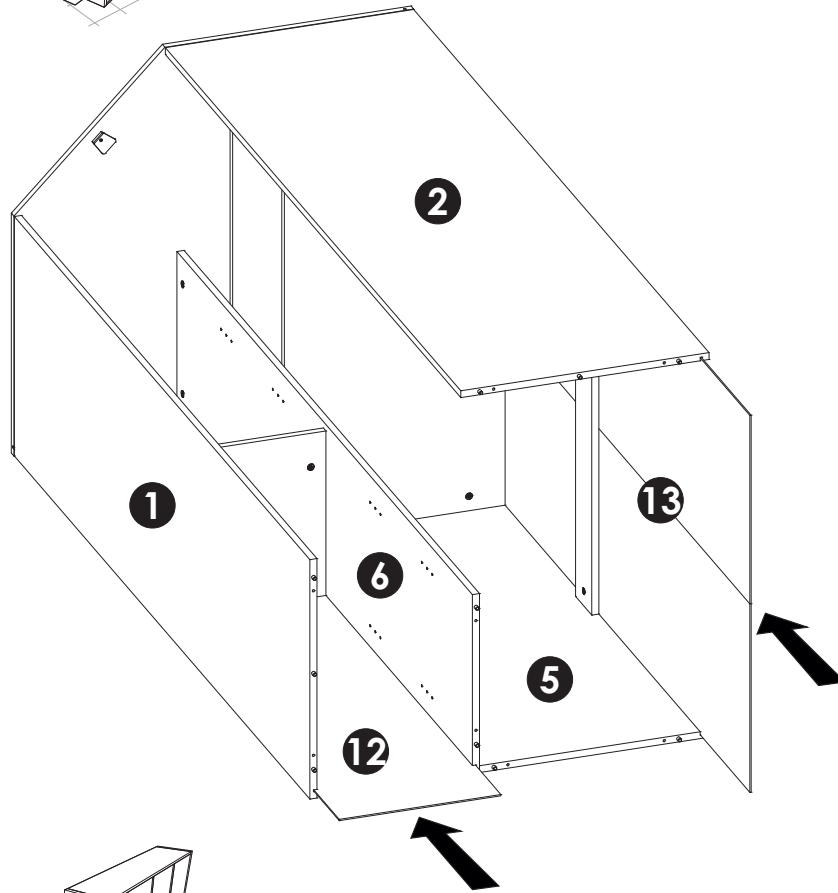
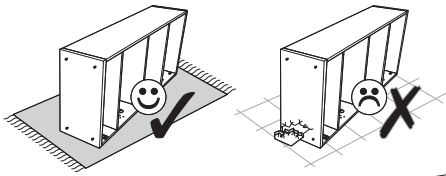
14 ▶



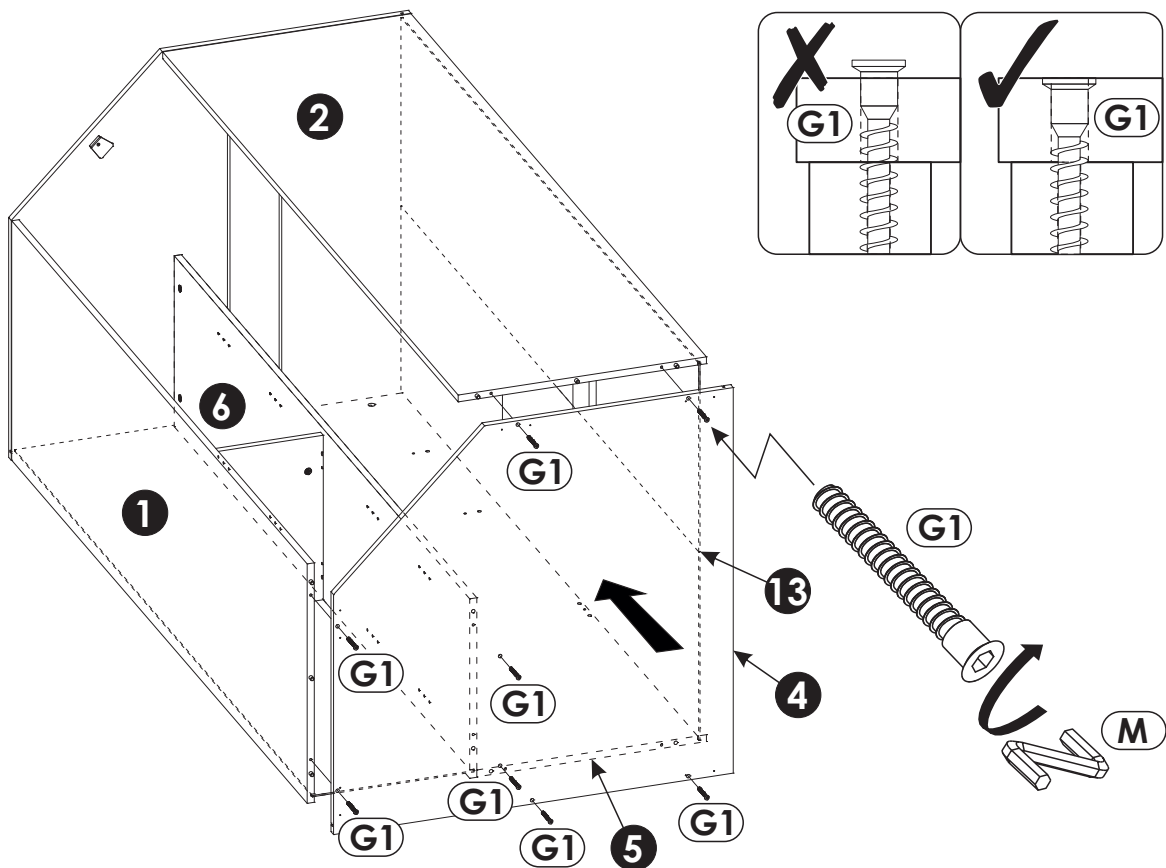
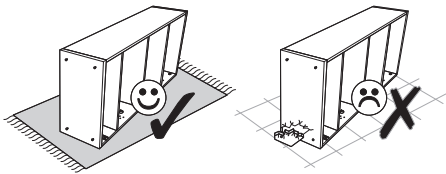
15 ▶



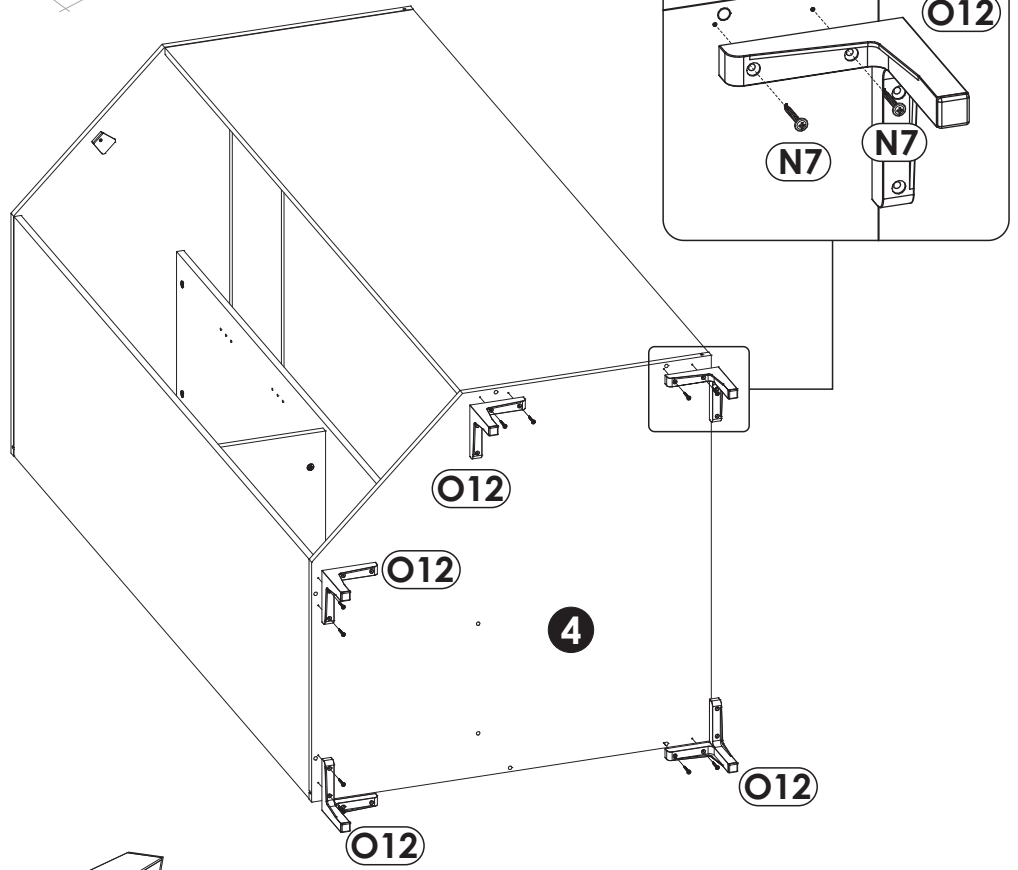
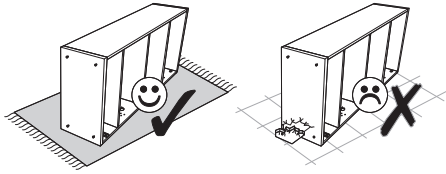
16 ▶



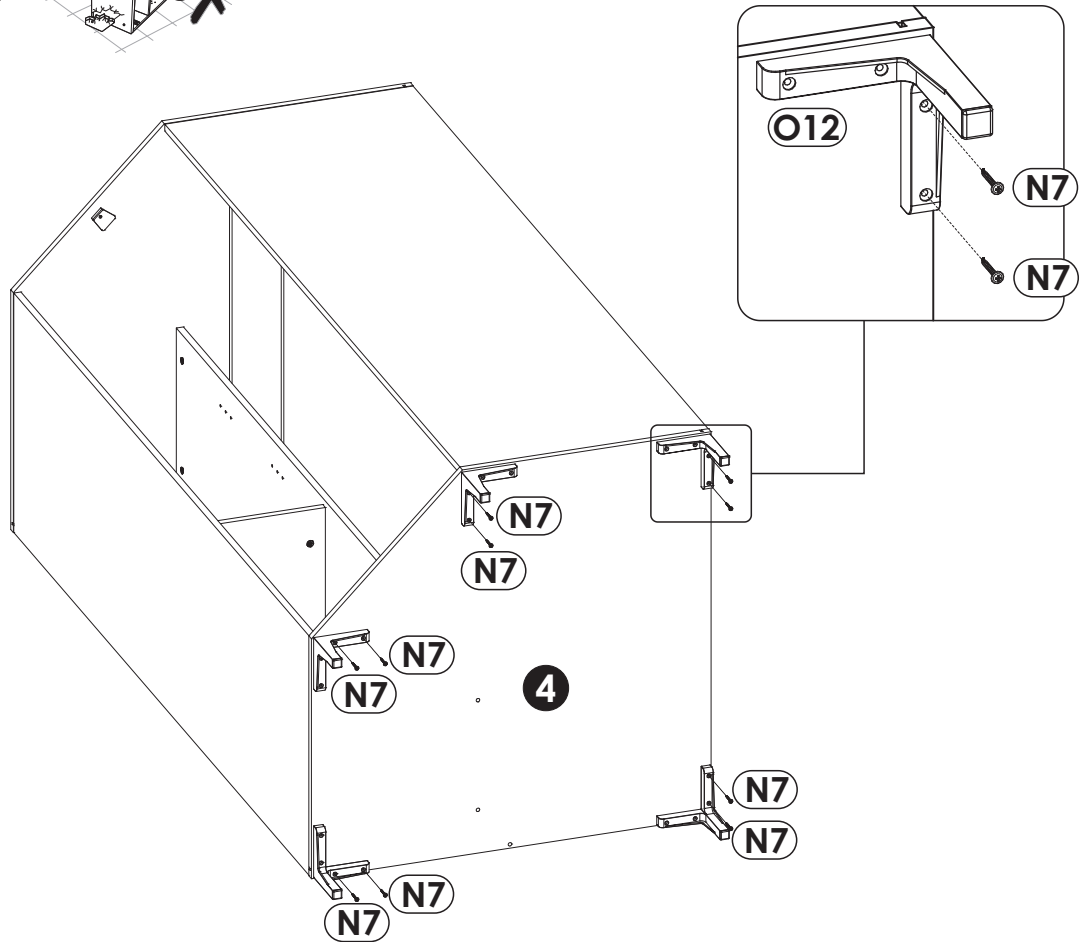
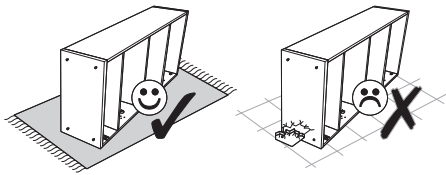
17 ▶



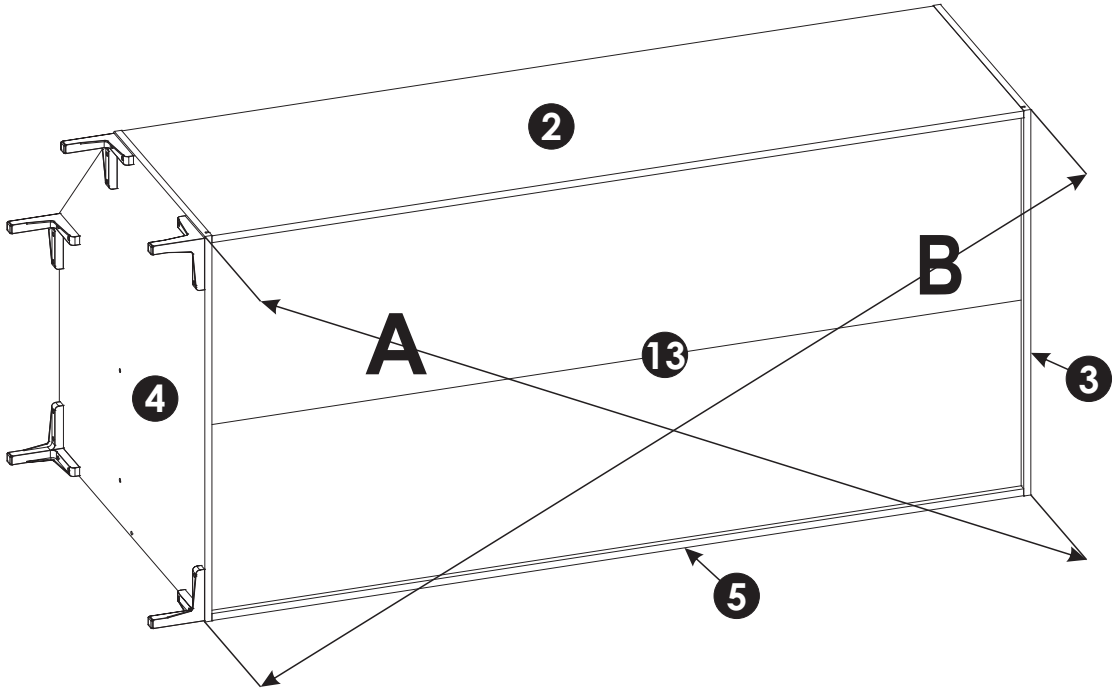
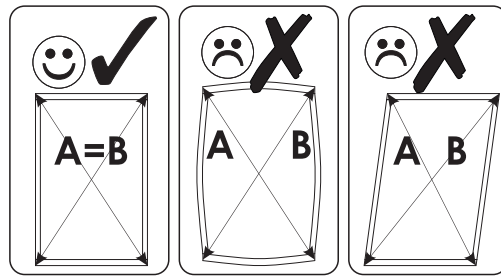
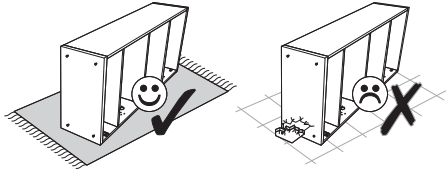
18 ▶



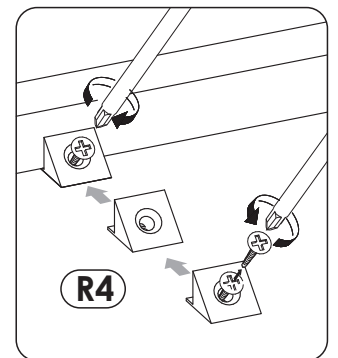
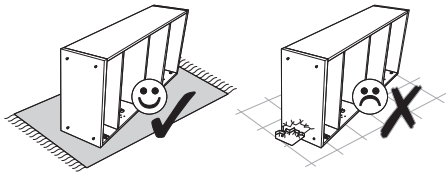
19 ▶



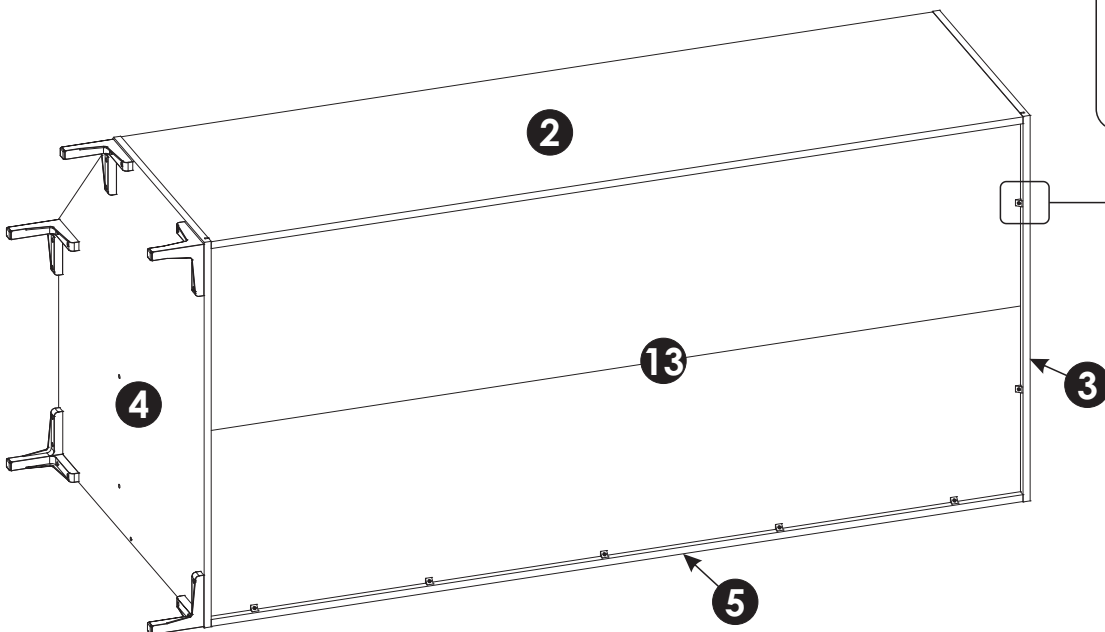
20 ▶



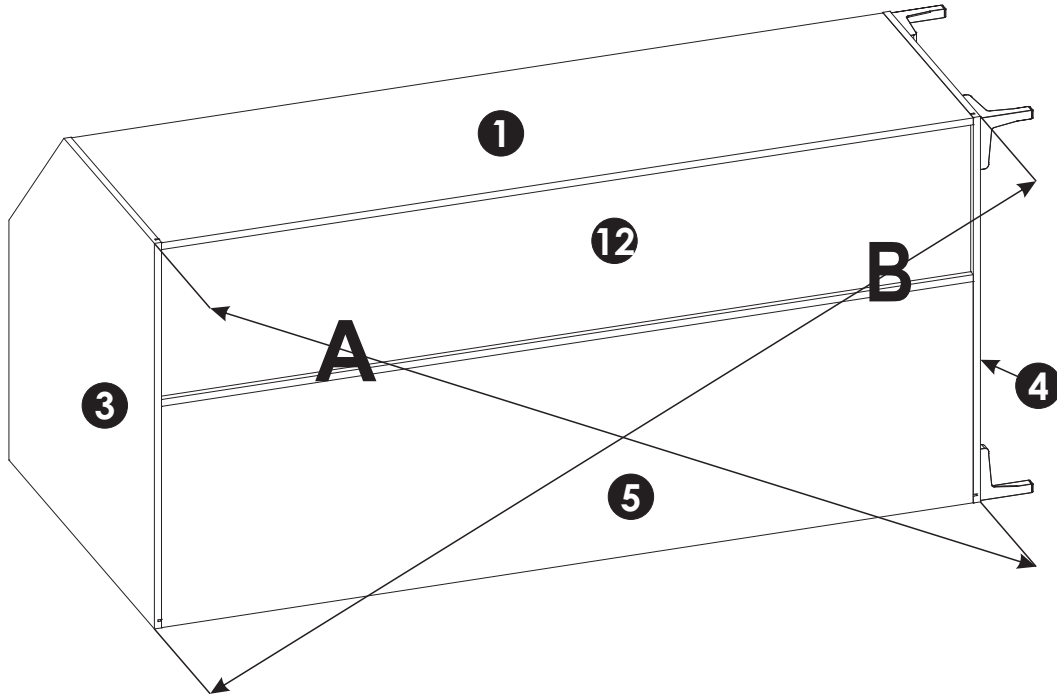
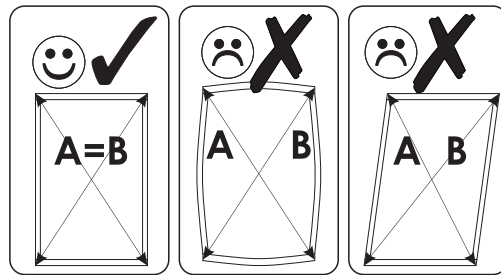
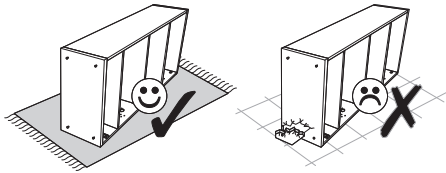
21 ▶



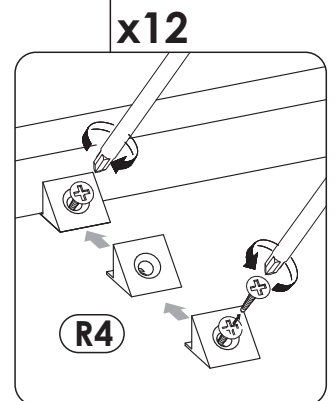
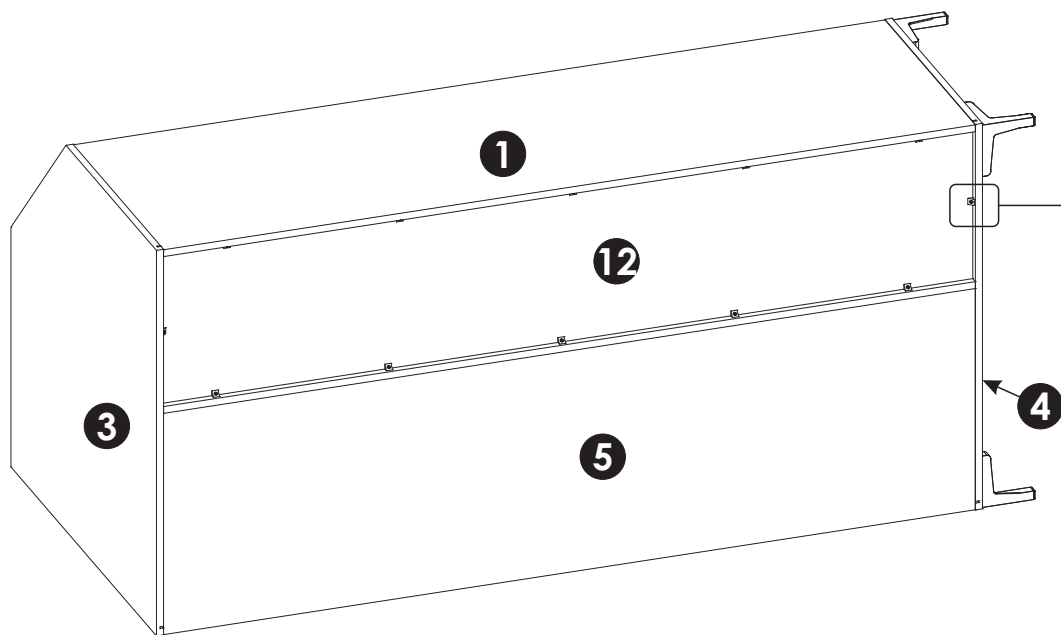
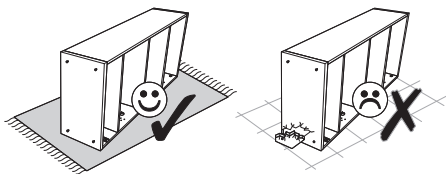
x14



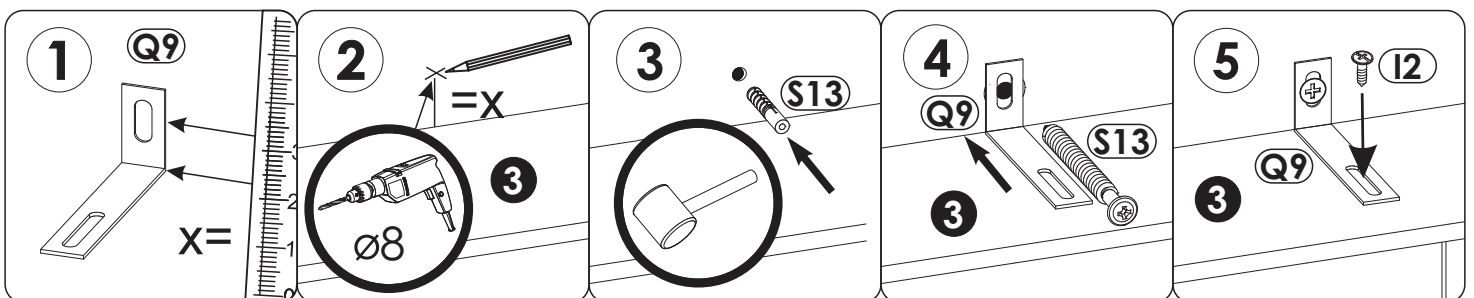
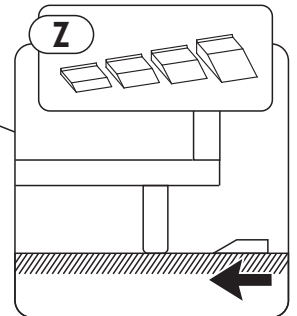
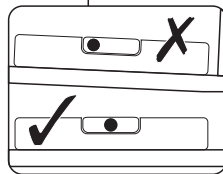
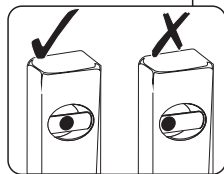
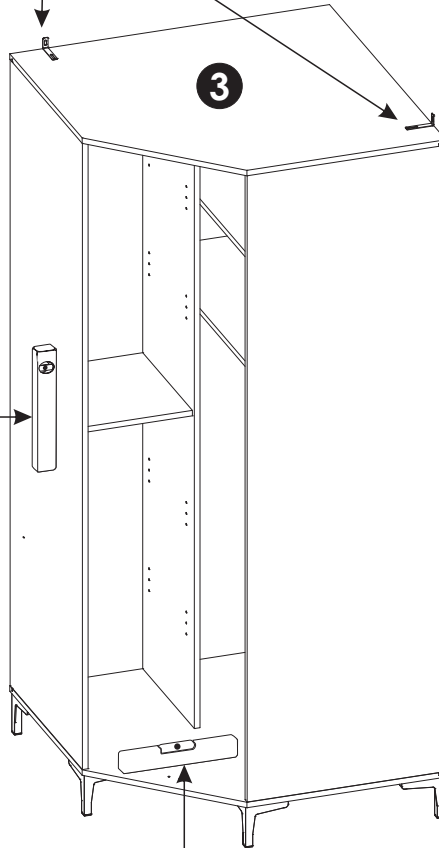
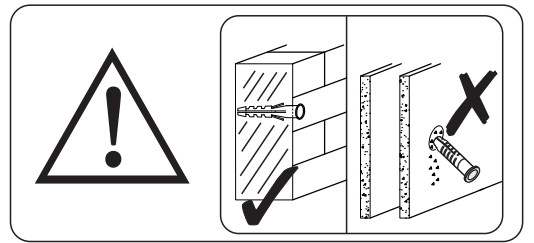
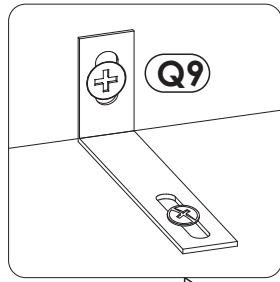
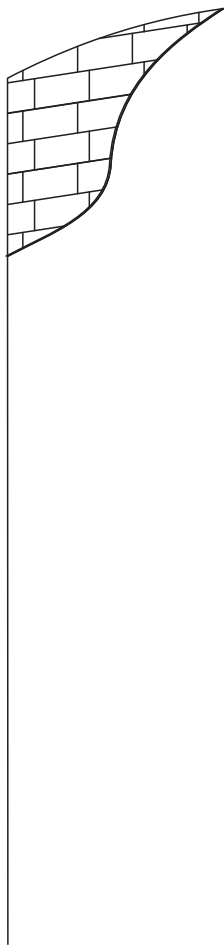
22 ▶



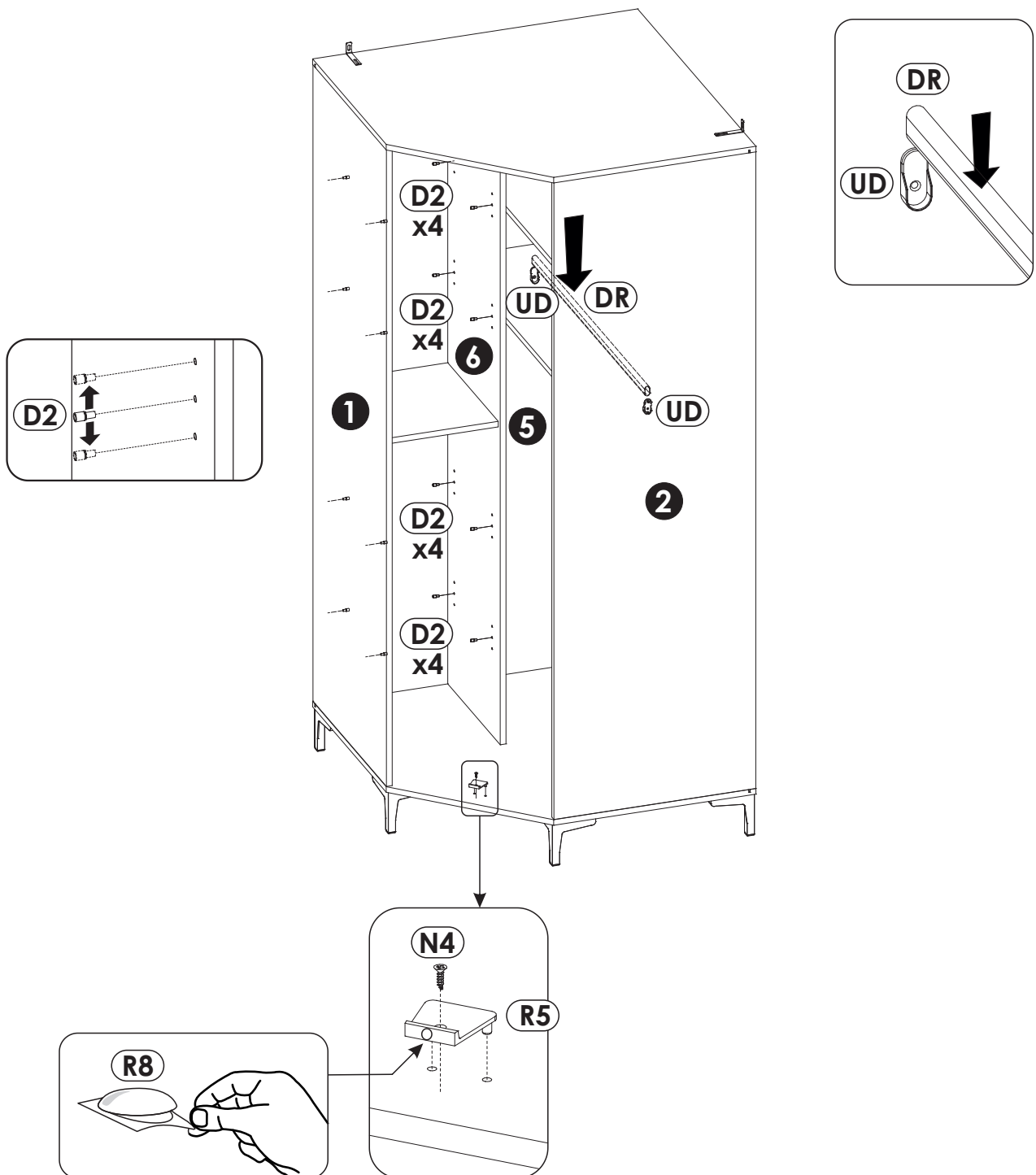
23 ▶

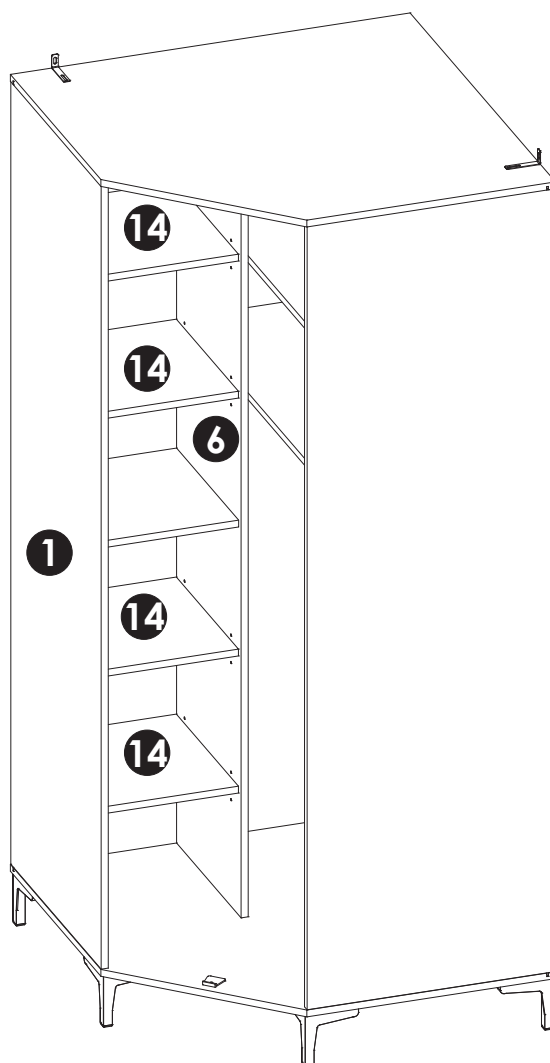
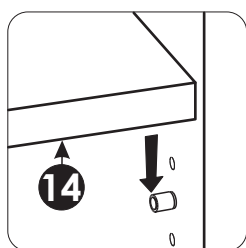


24 ▶



25 ▶

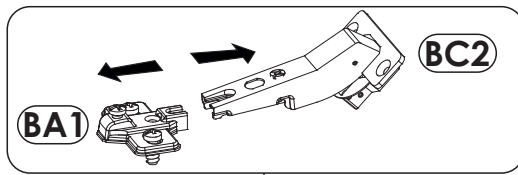




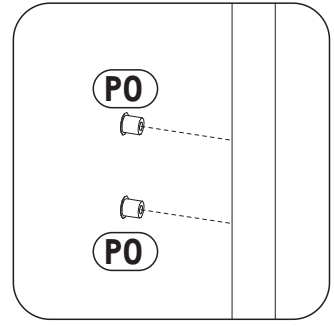
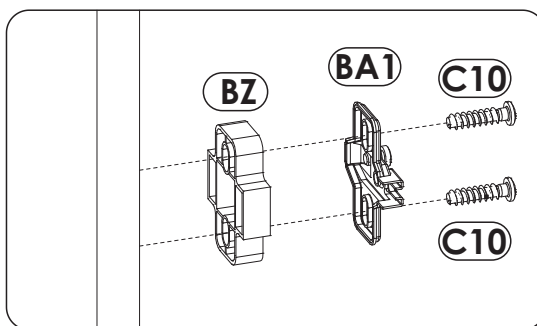
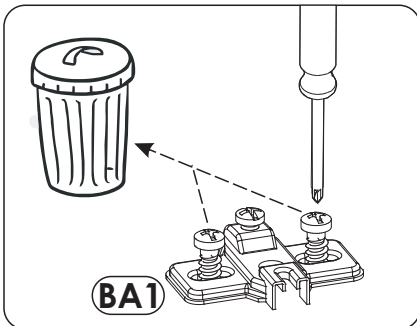
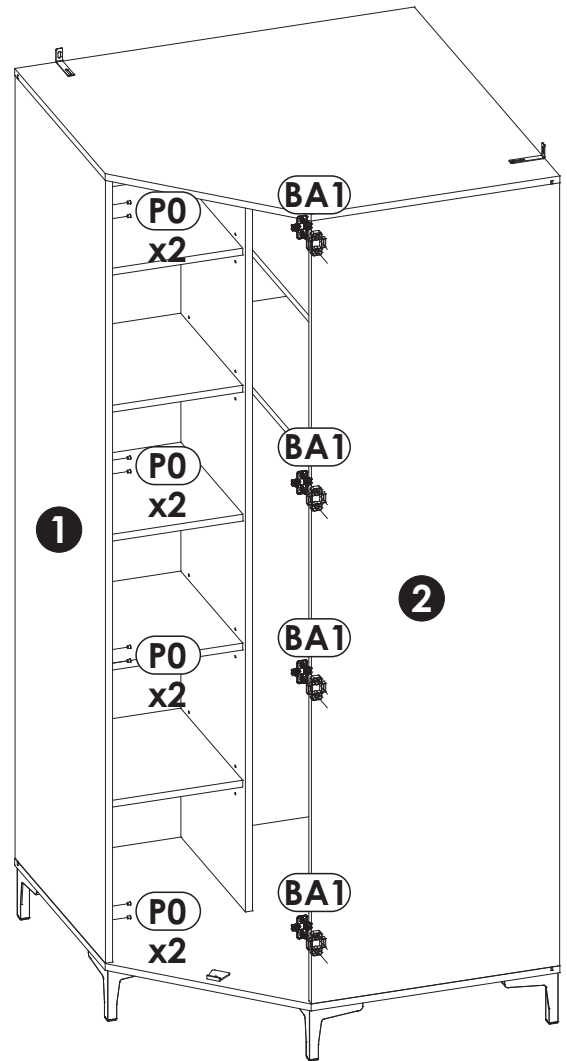
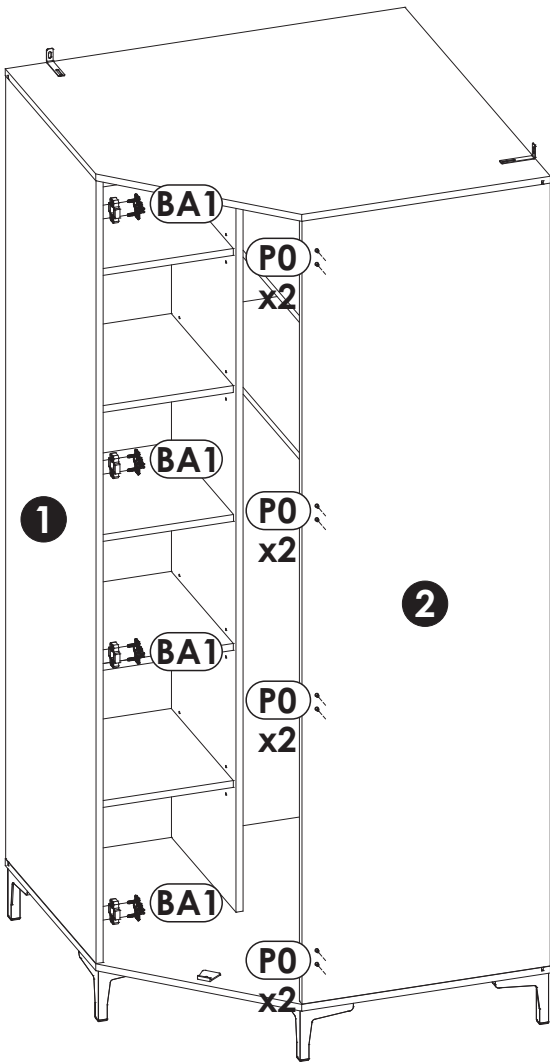
27 ▶



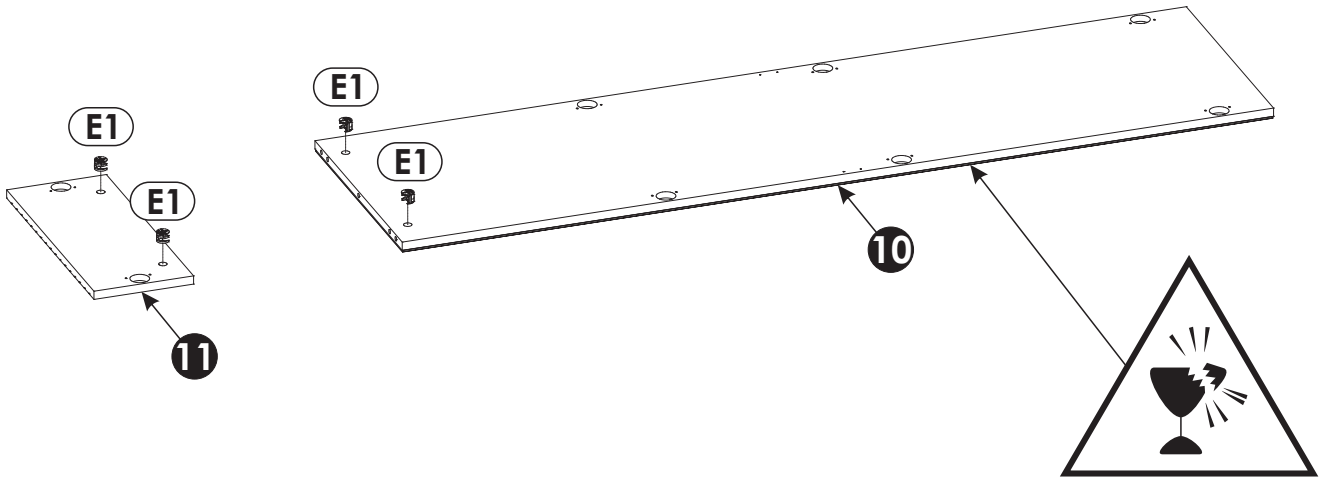
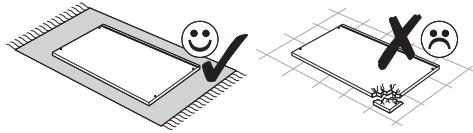
L



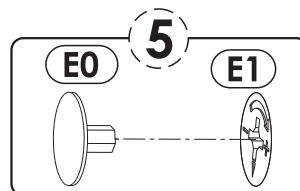
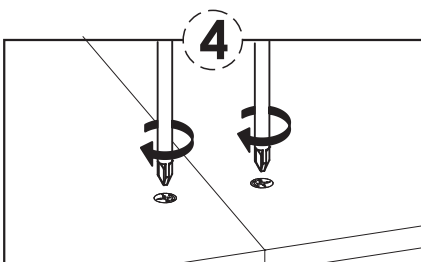
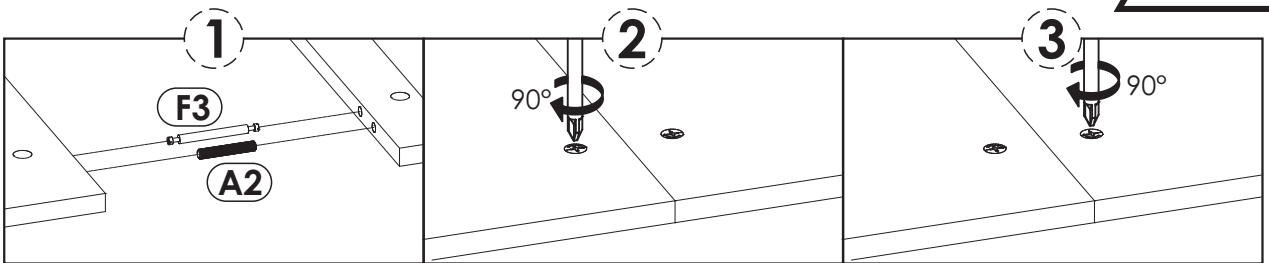
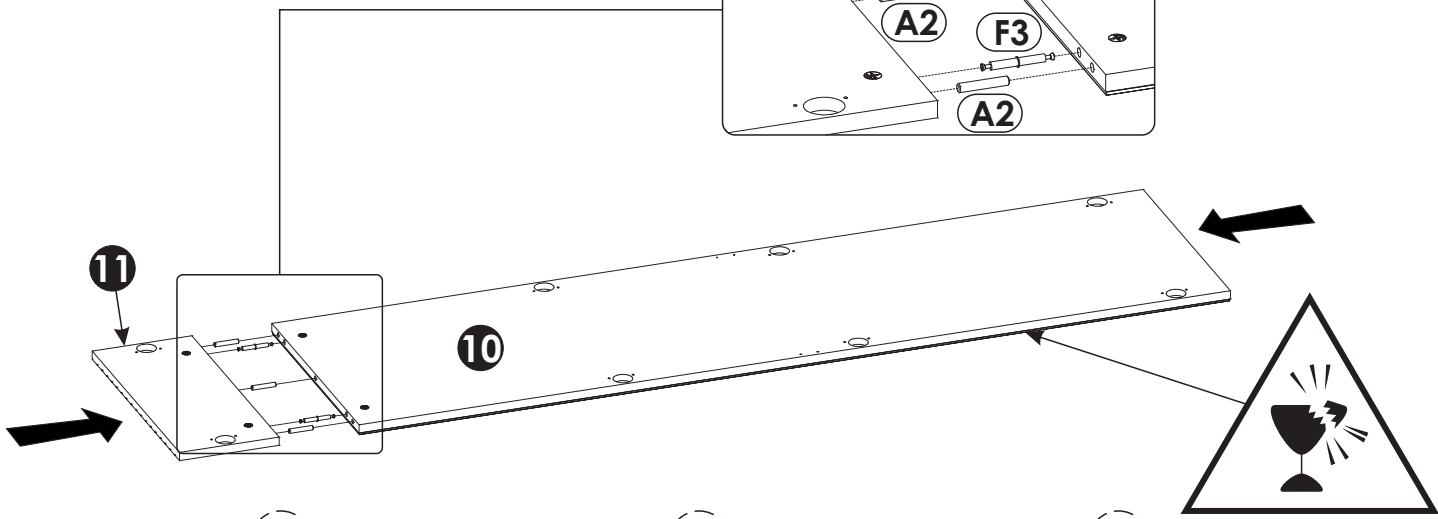
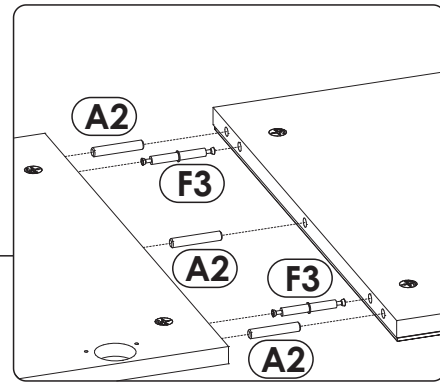
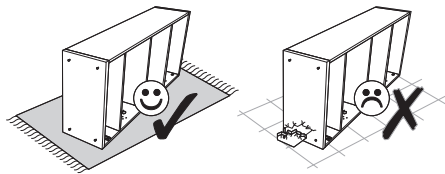
R



28 ▶

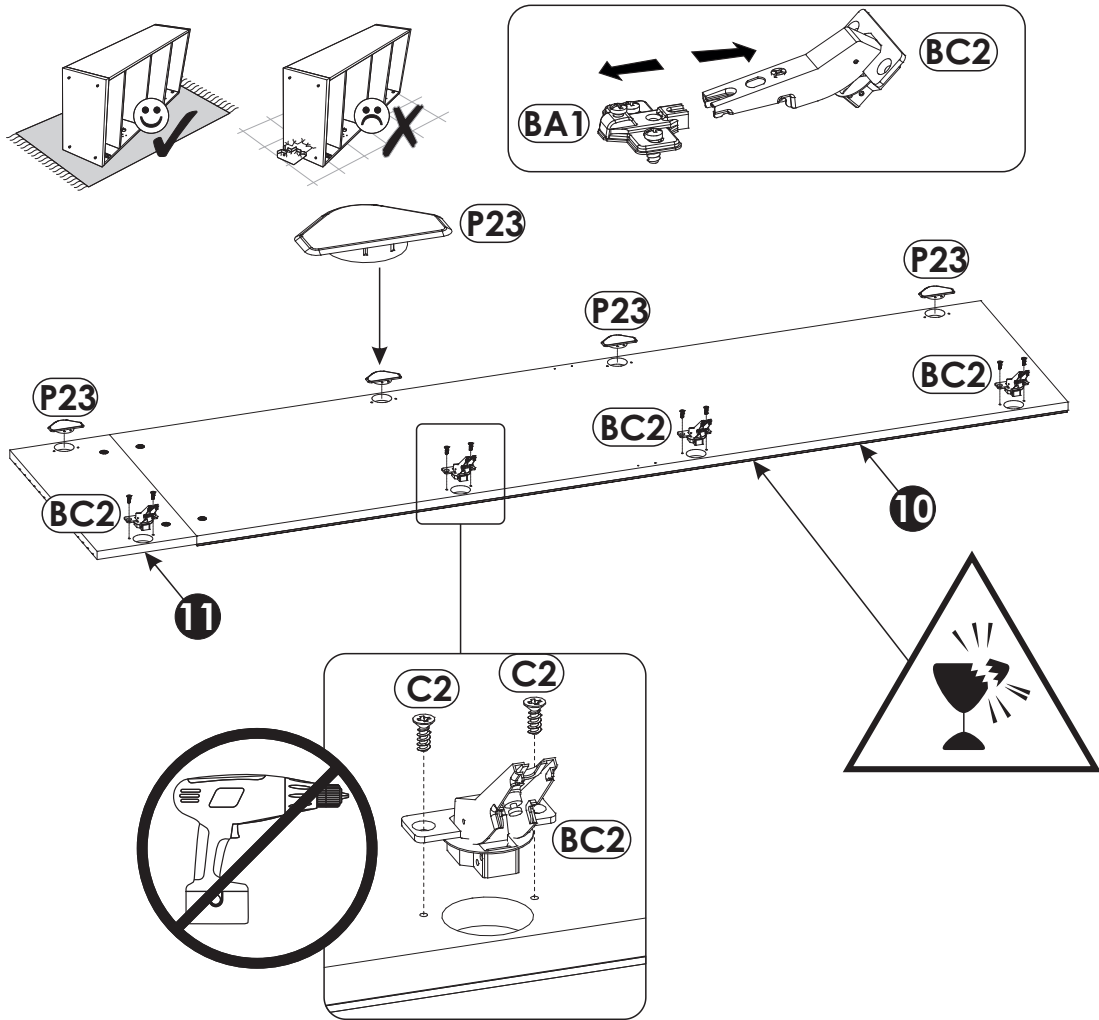


29 ▶

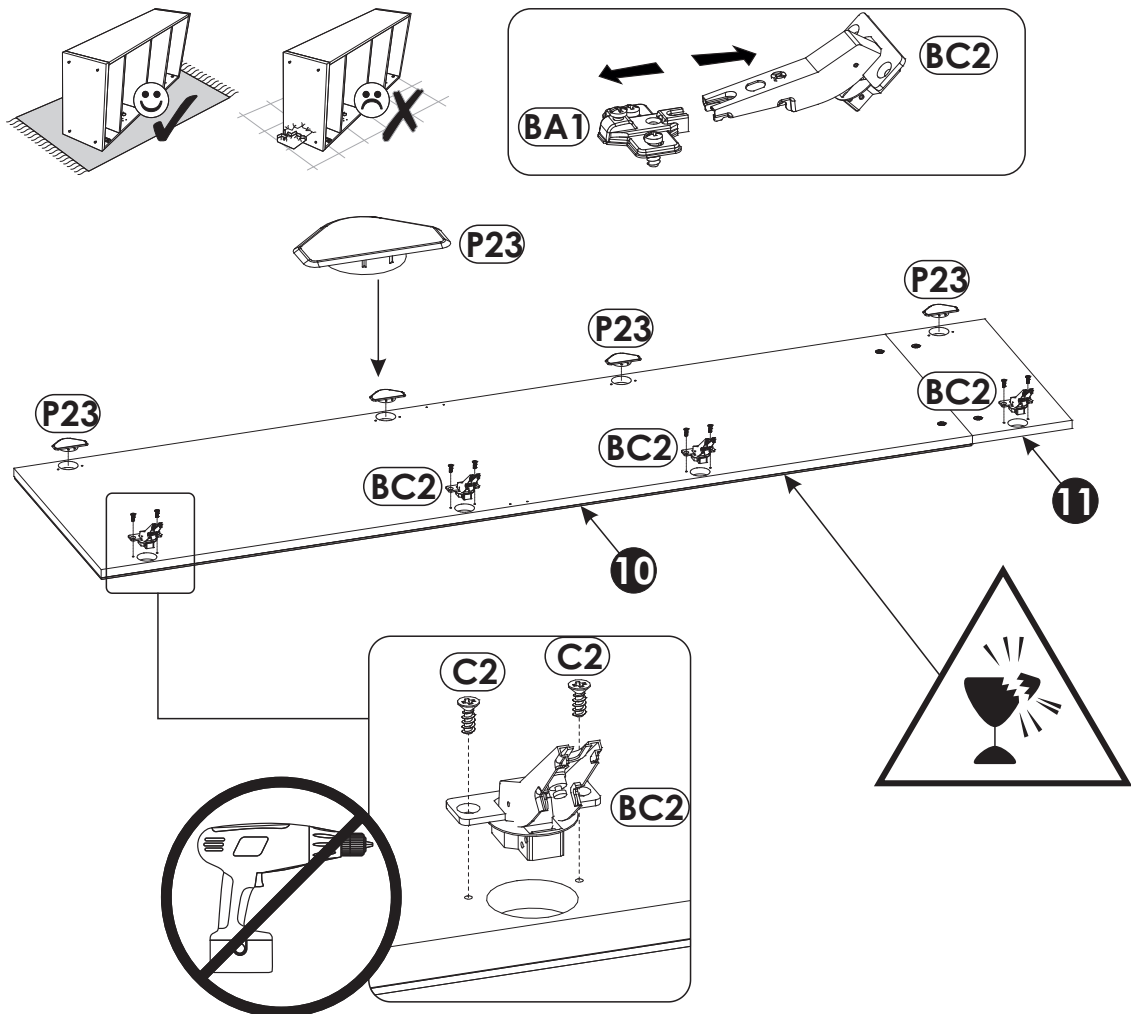


30 ▶

L

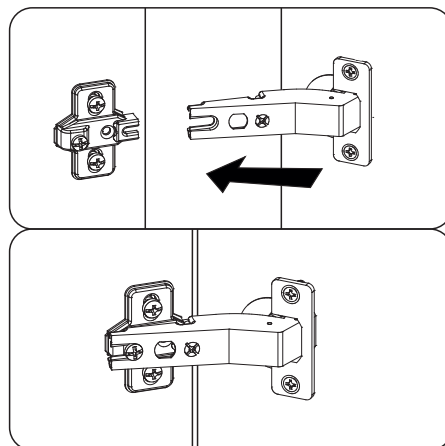
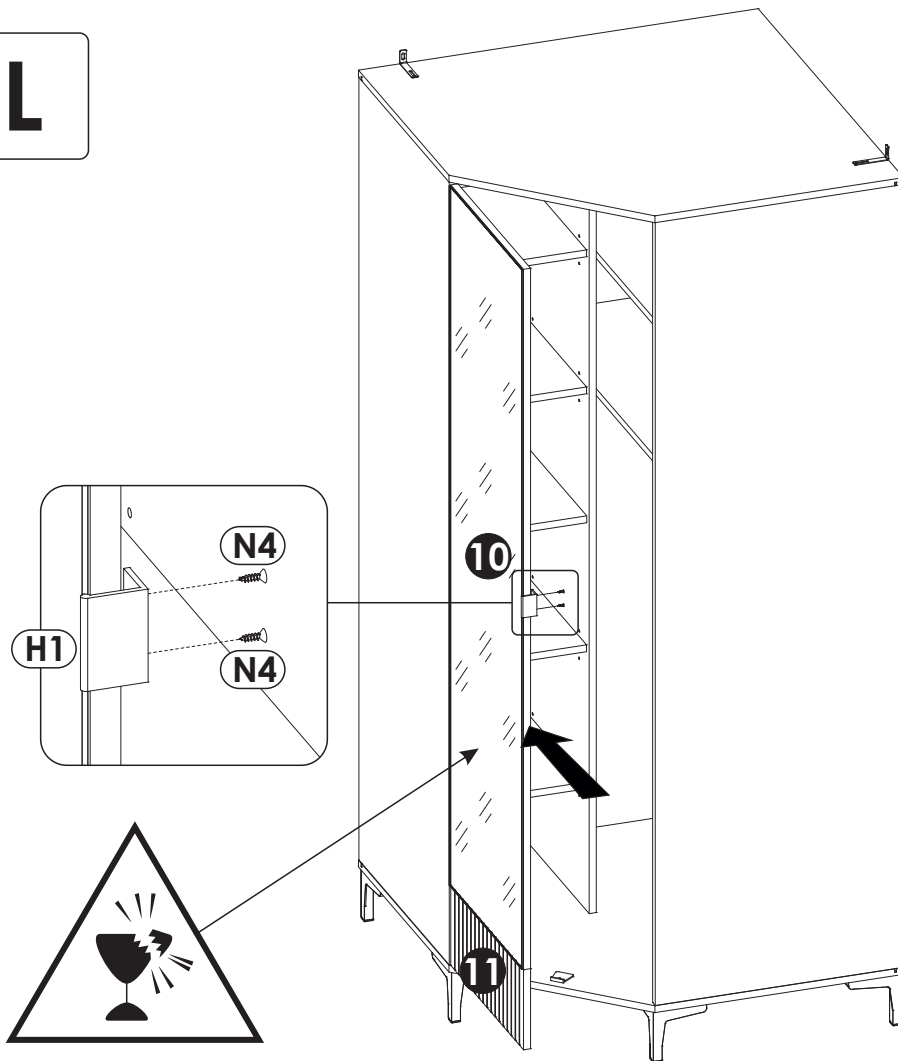


R



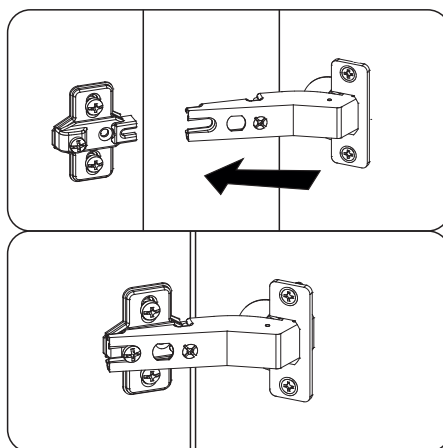
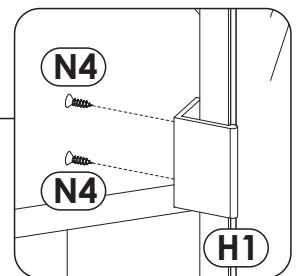
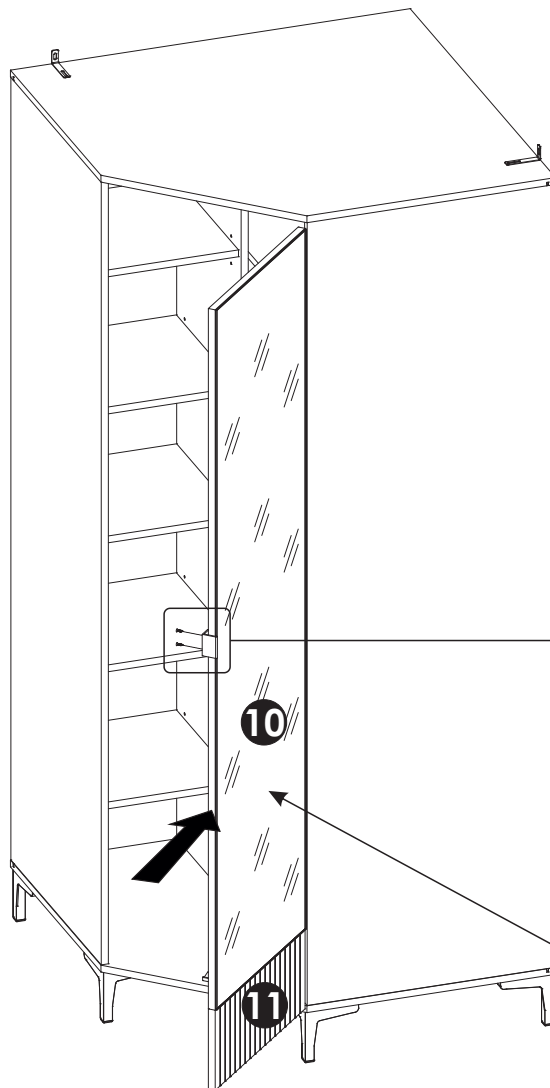
31 ▶

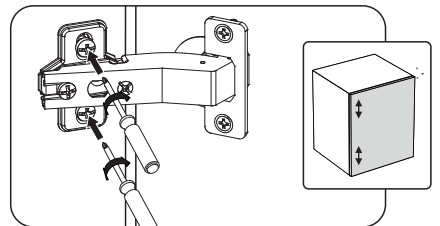
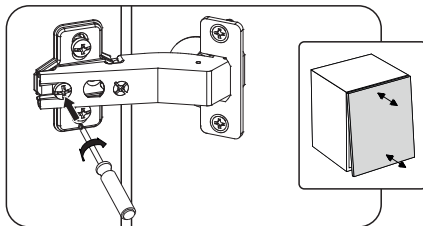
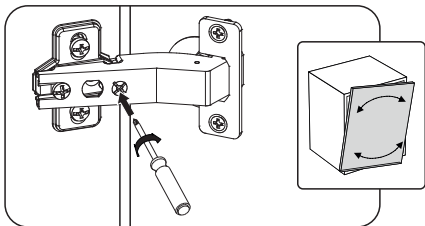
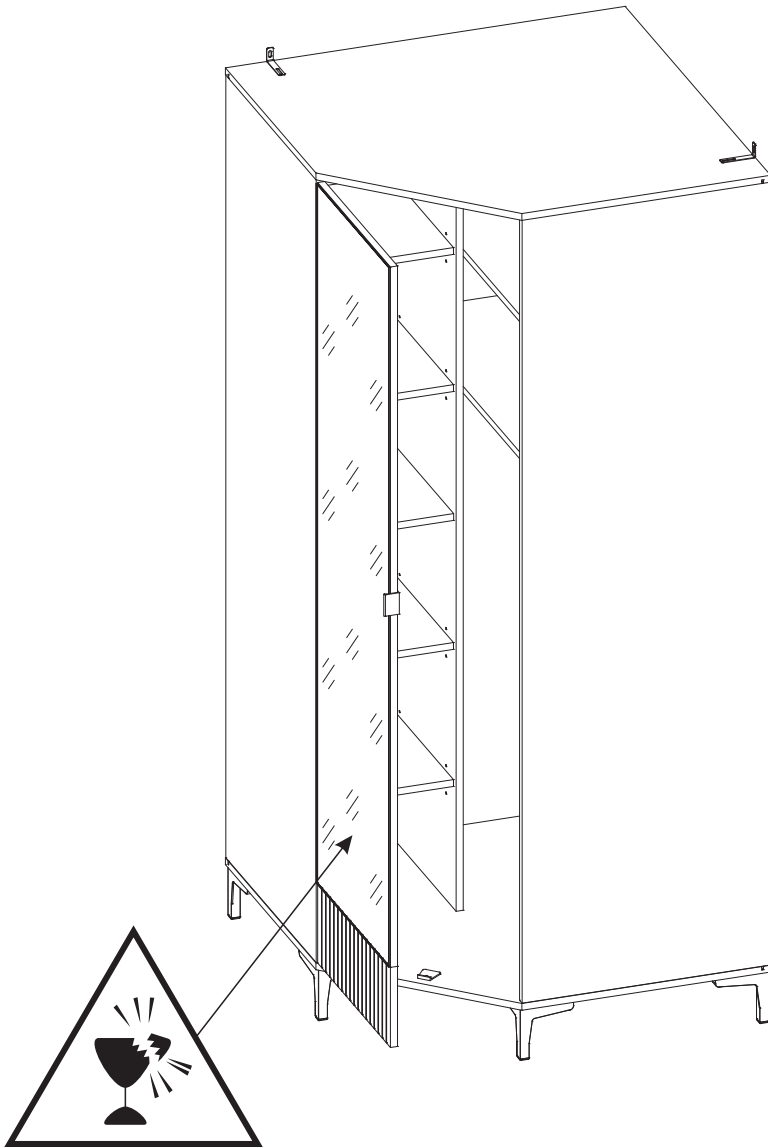
L



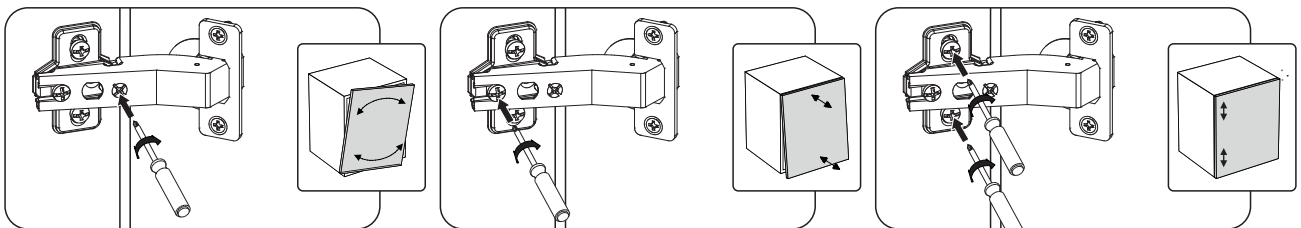
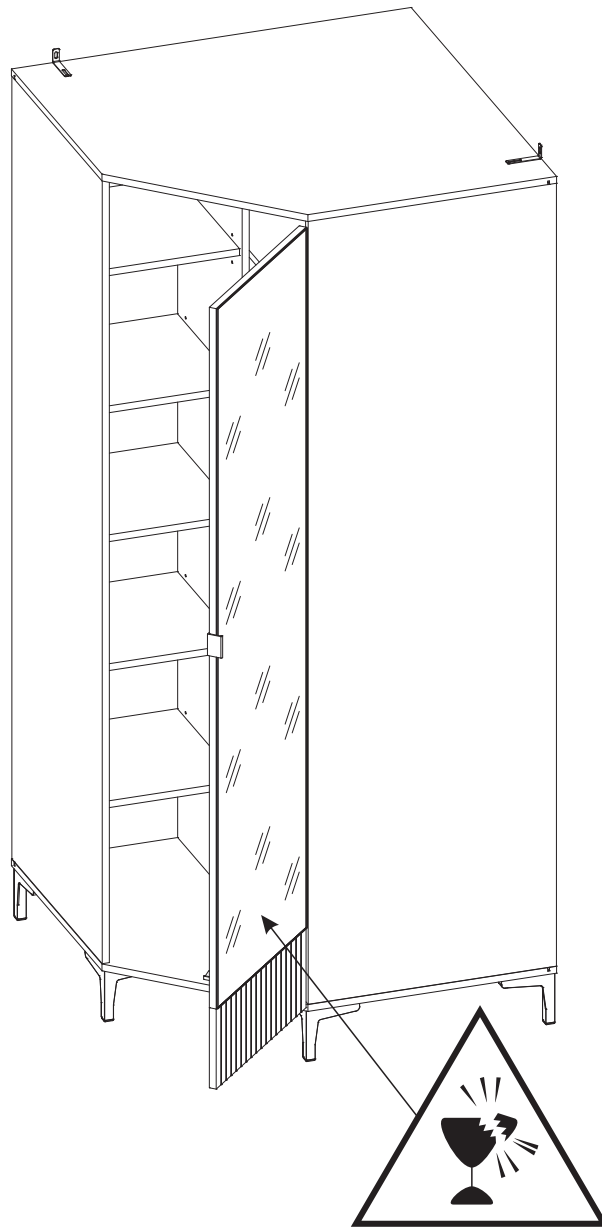
32▶

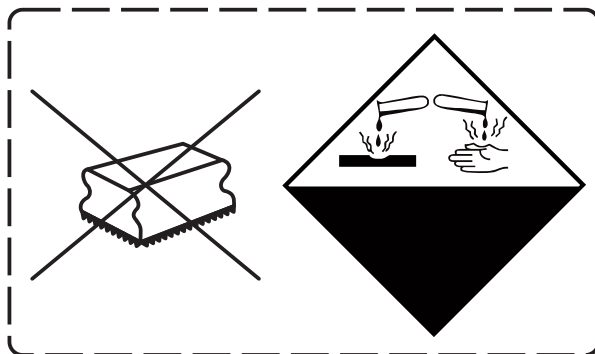
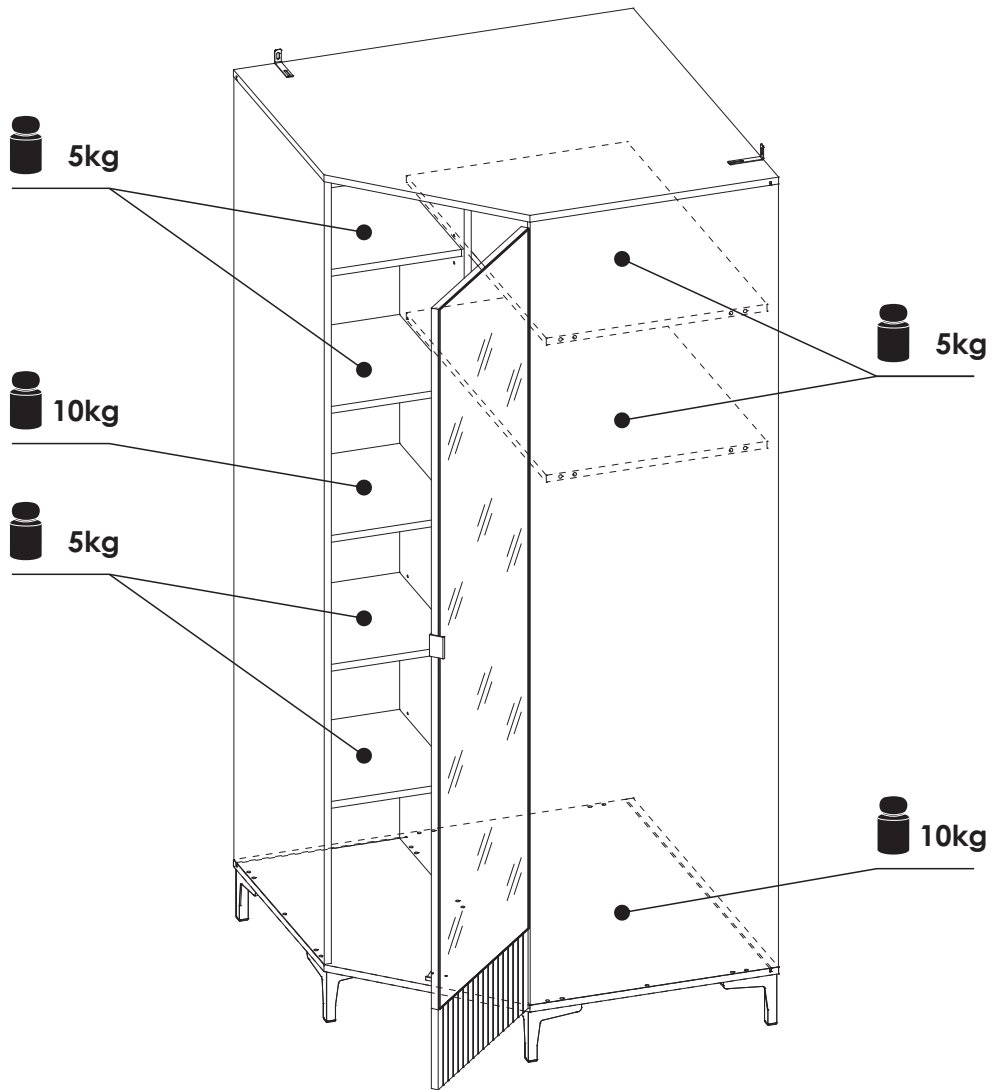
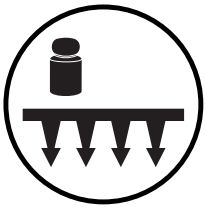
R

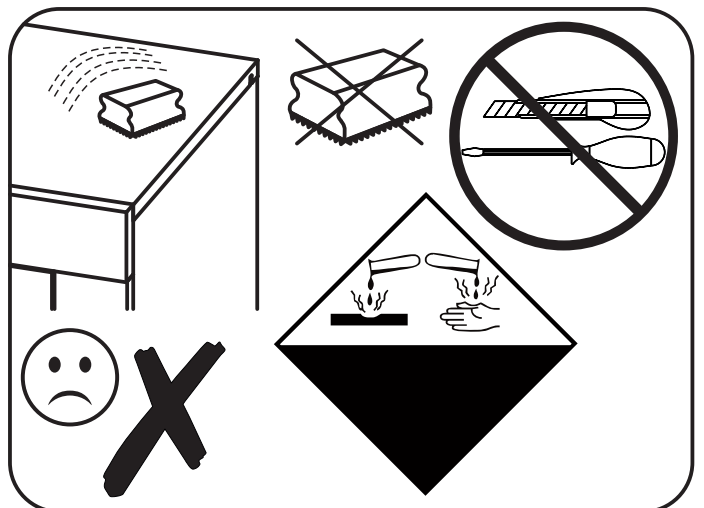
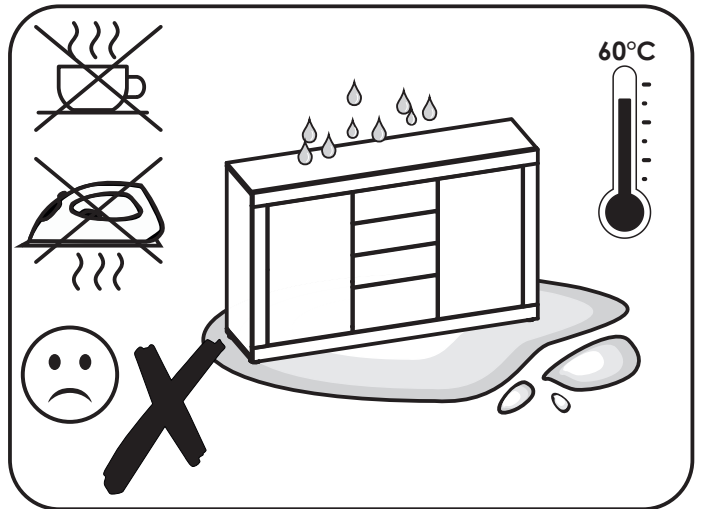
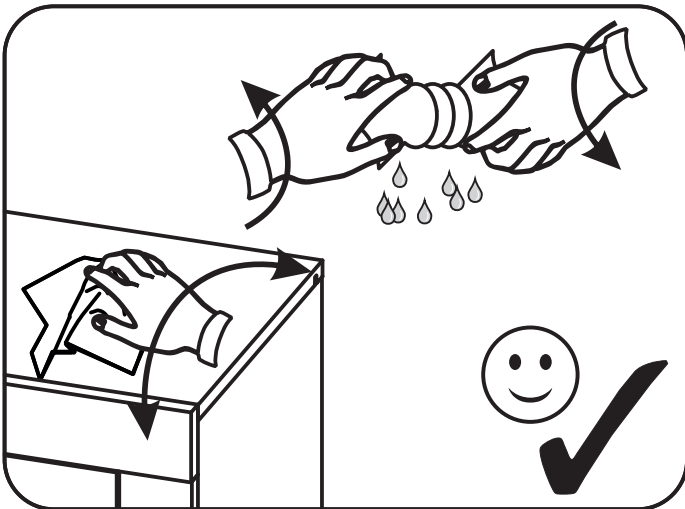
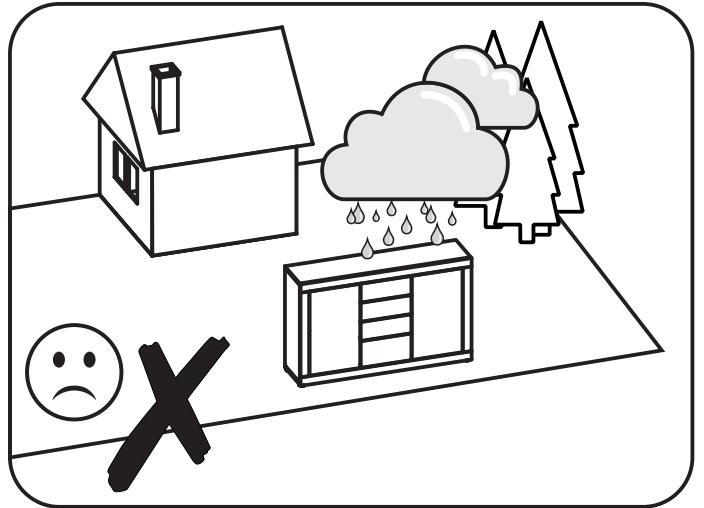
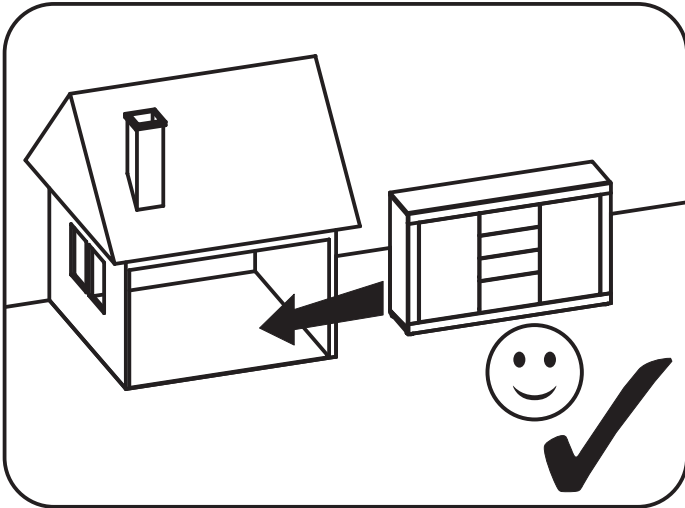


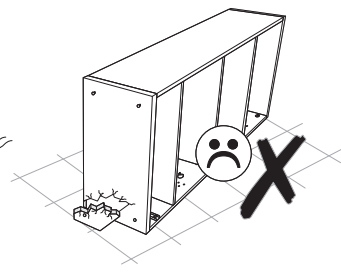
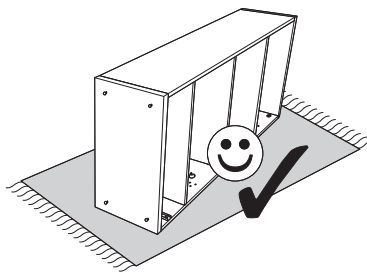
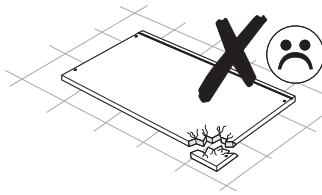
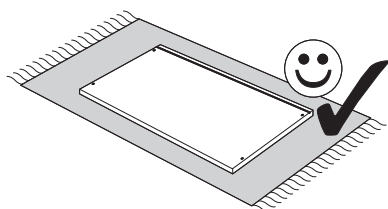
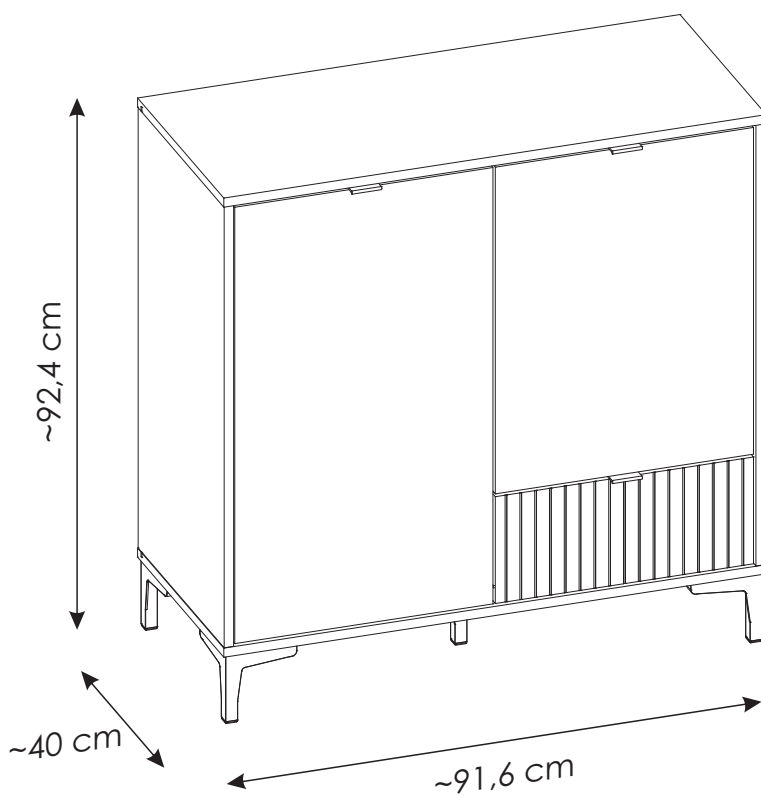
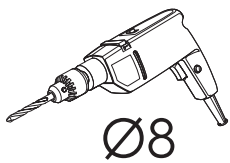
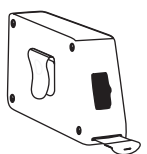
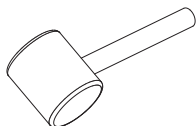
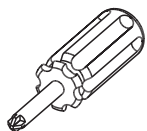
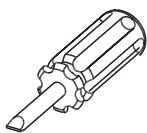
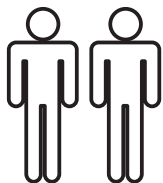


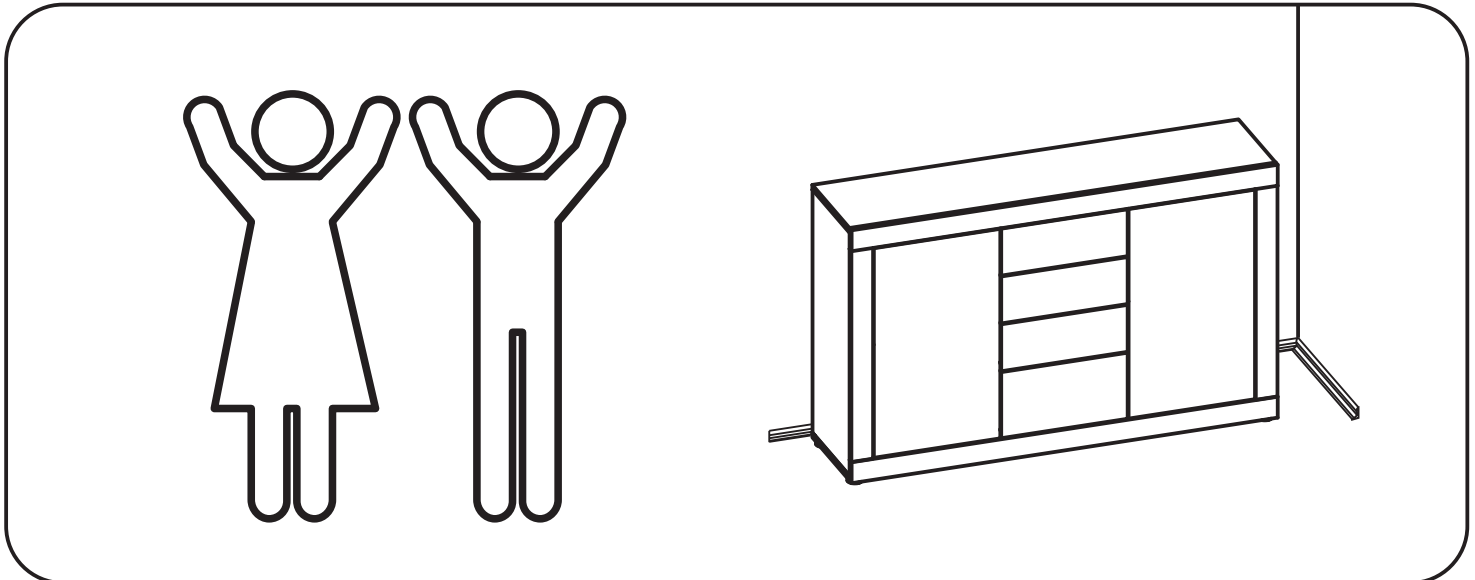
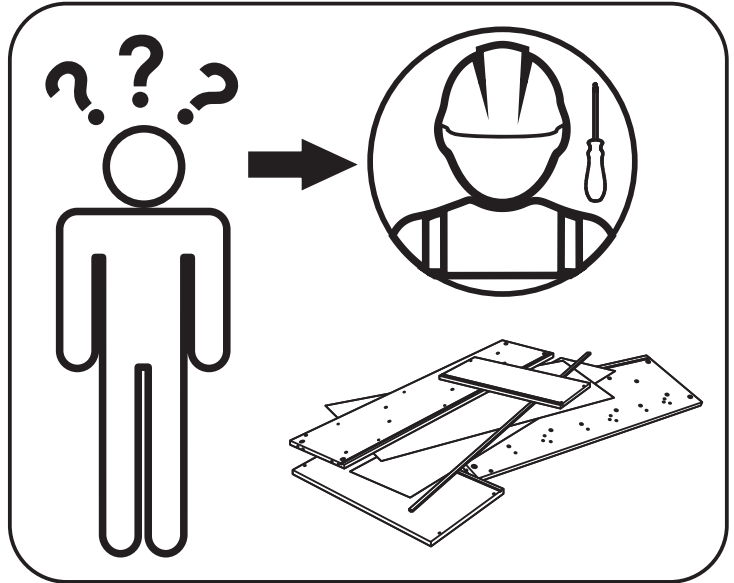
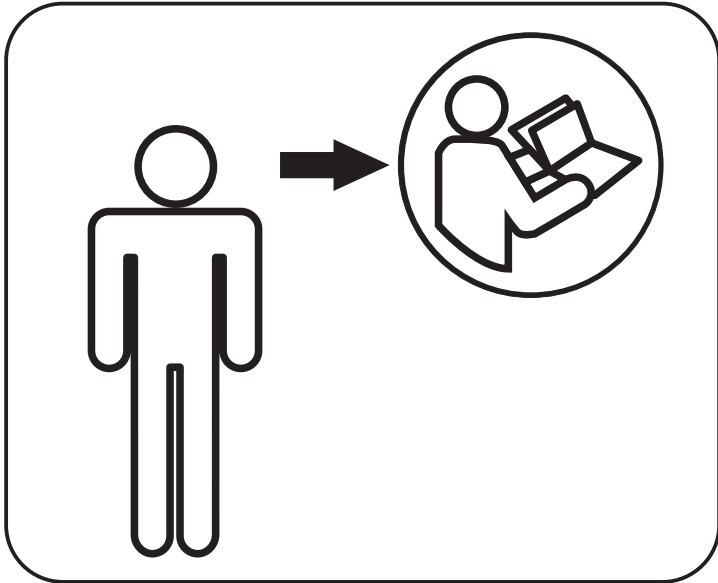
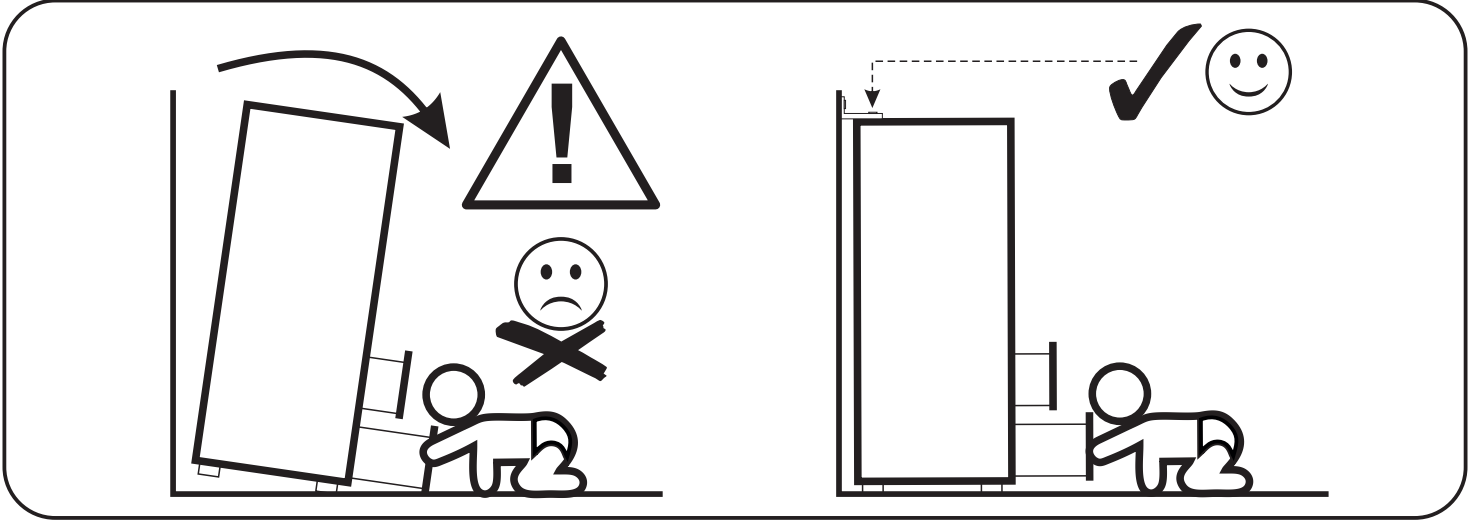
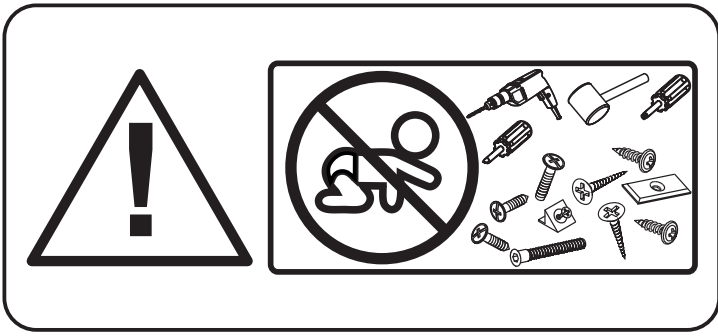
R

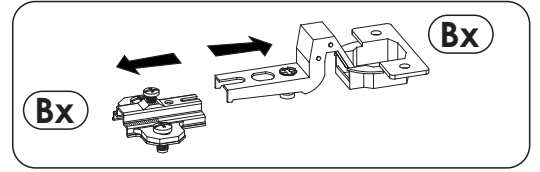
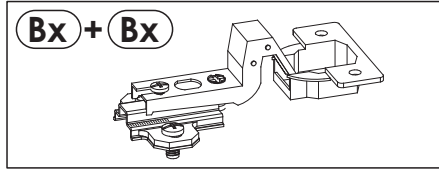
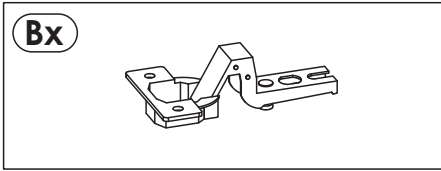
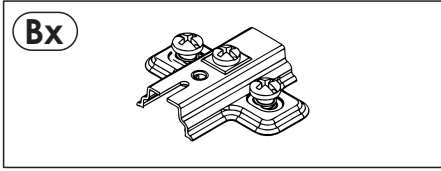


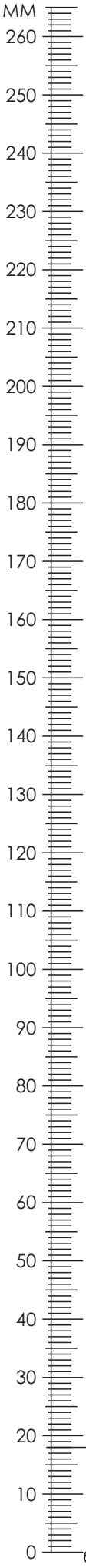



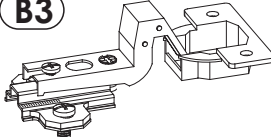
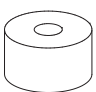
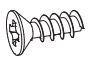

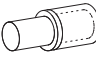
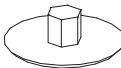

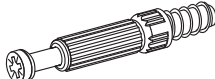
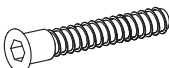
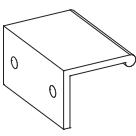
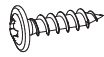
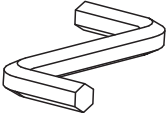




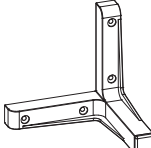
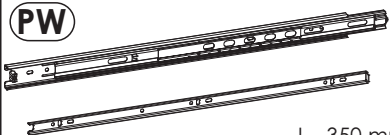
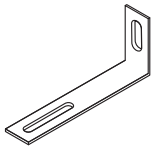
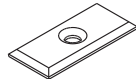
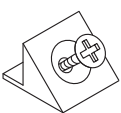
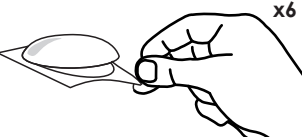
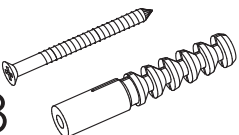
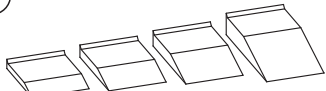
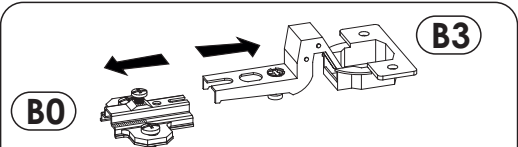


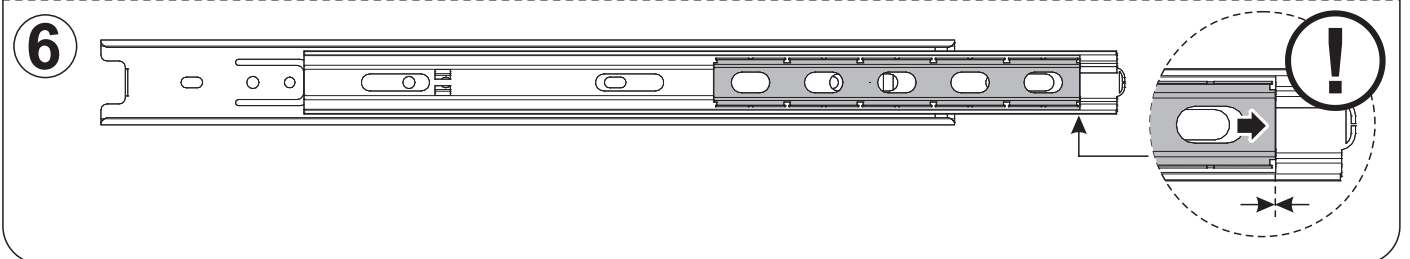
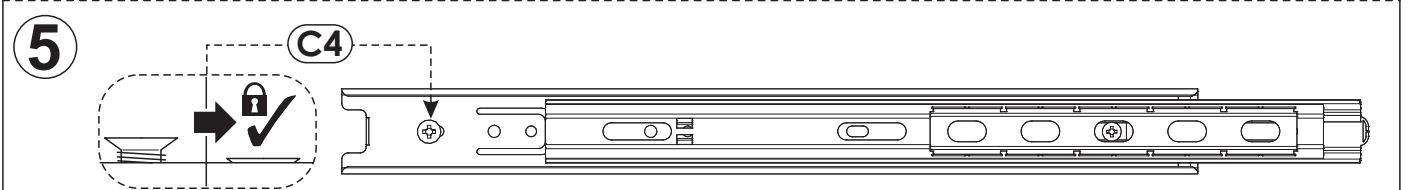
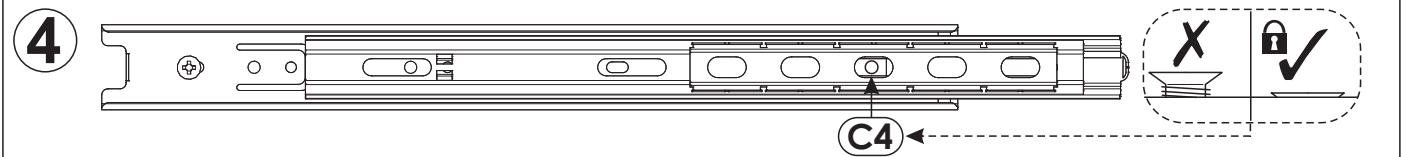
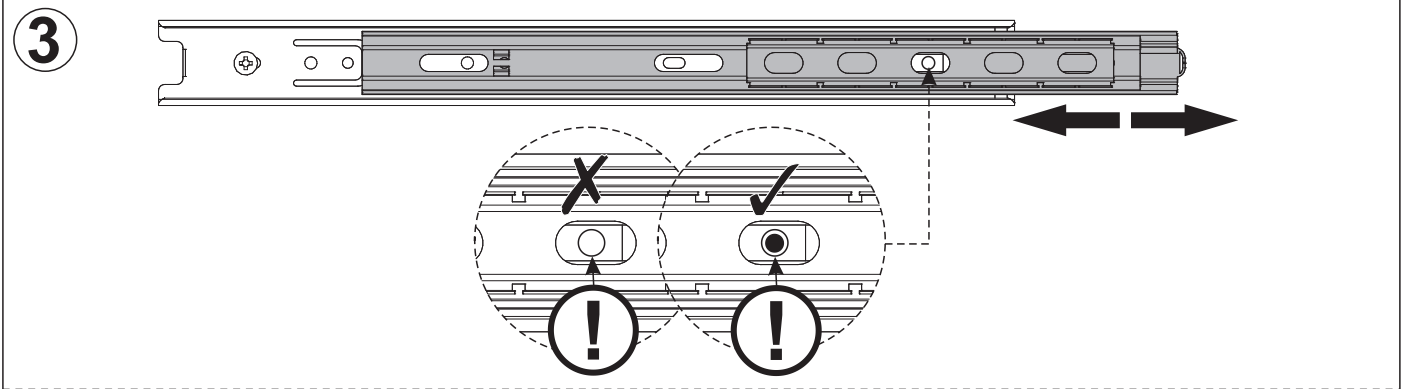
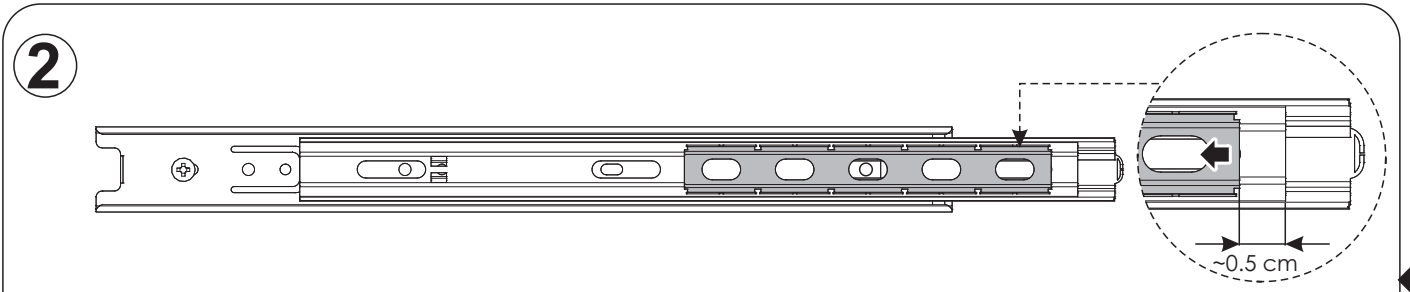
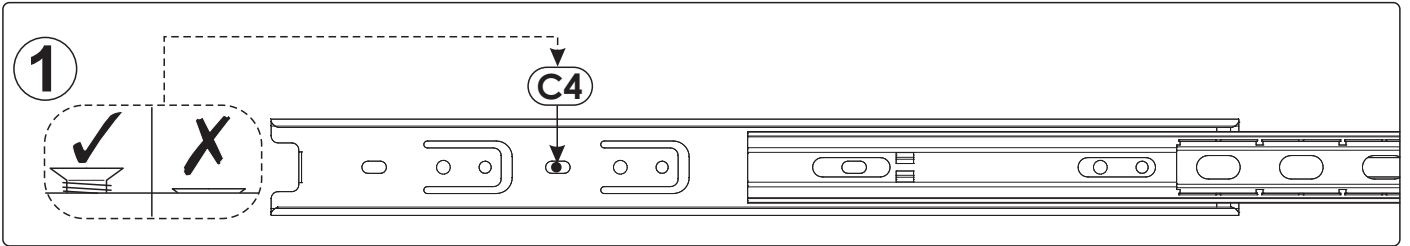
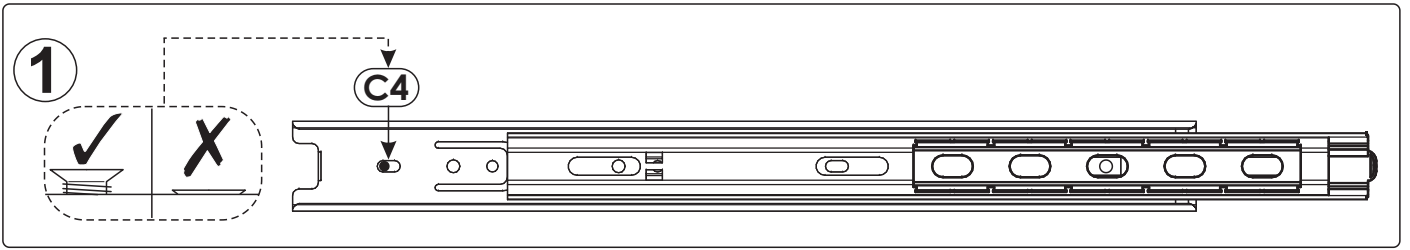


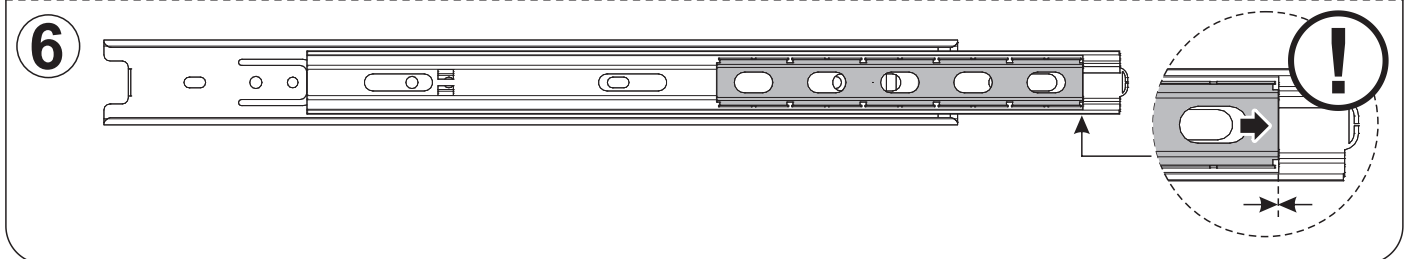
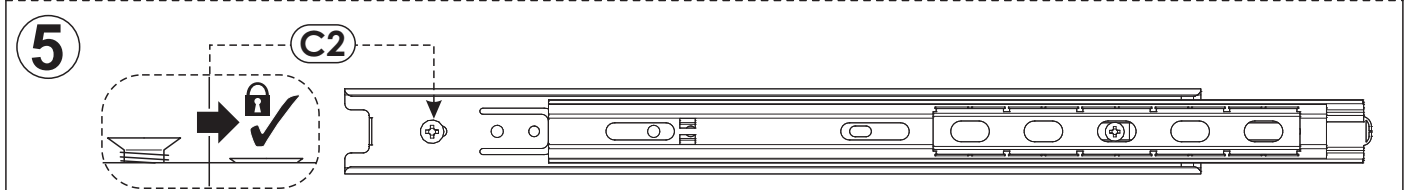
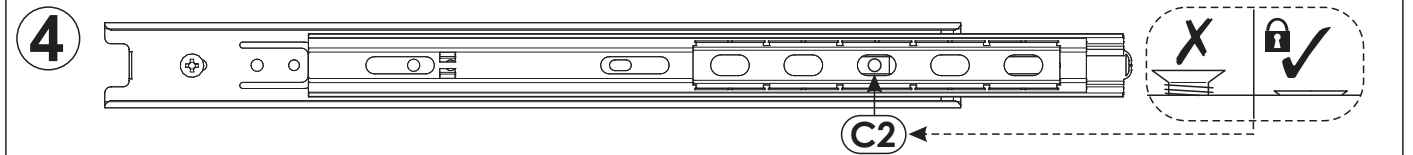
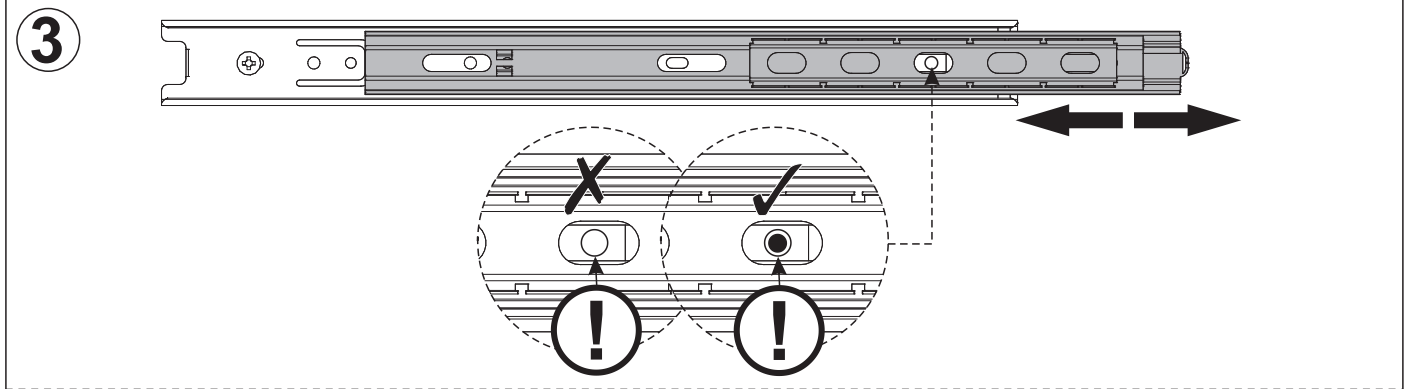
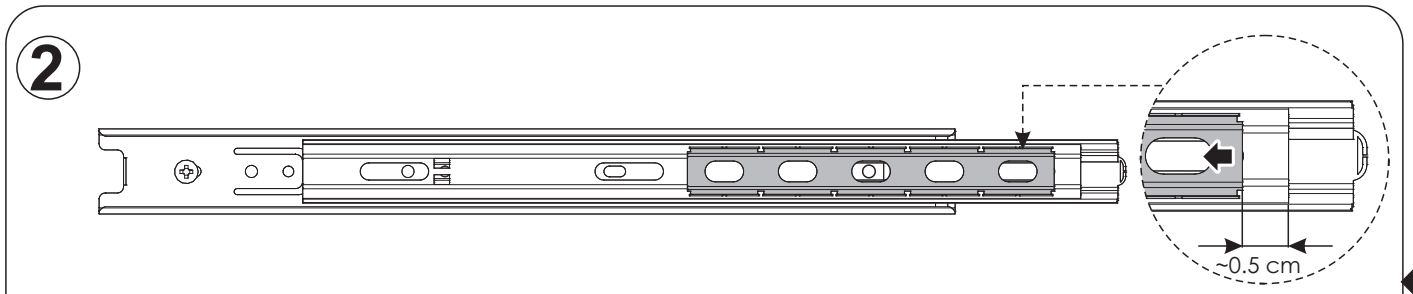
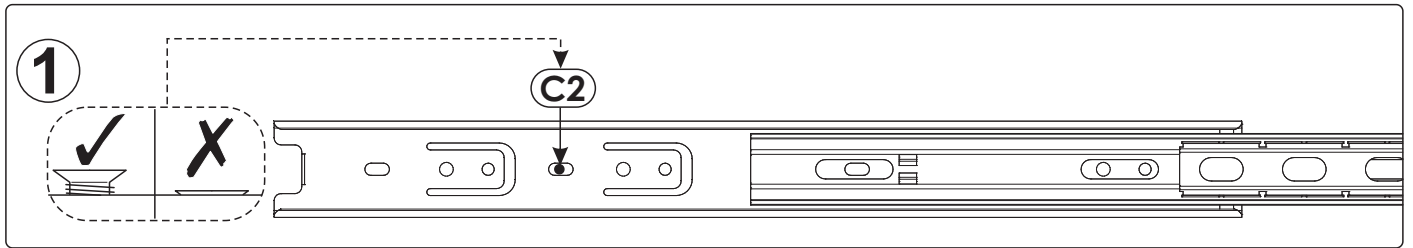
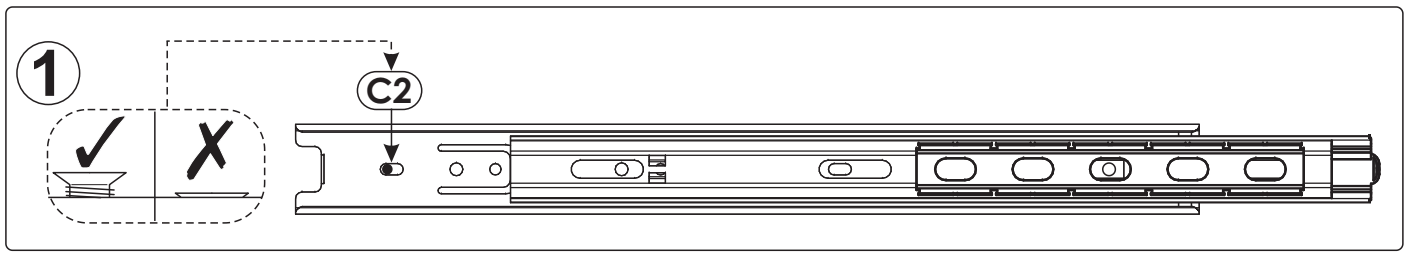


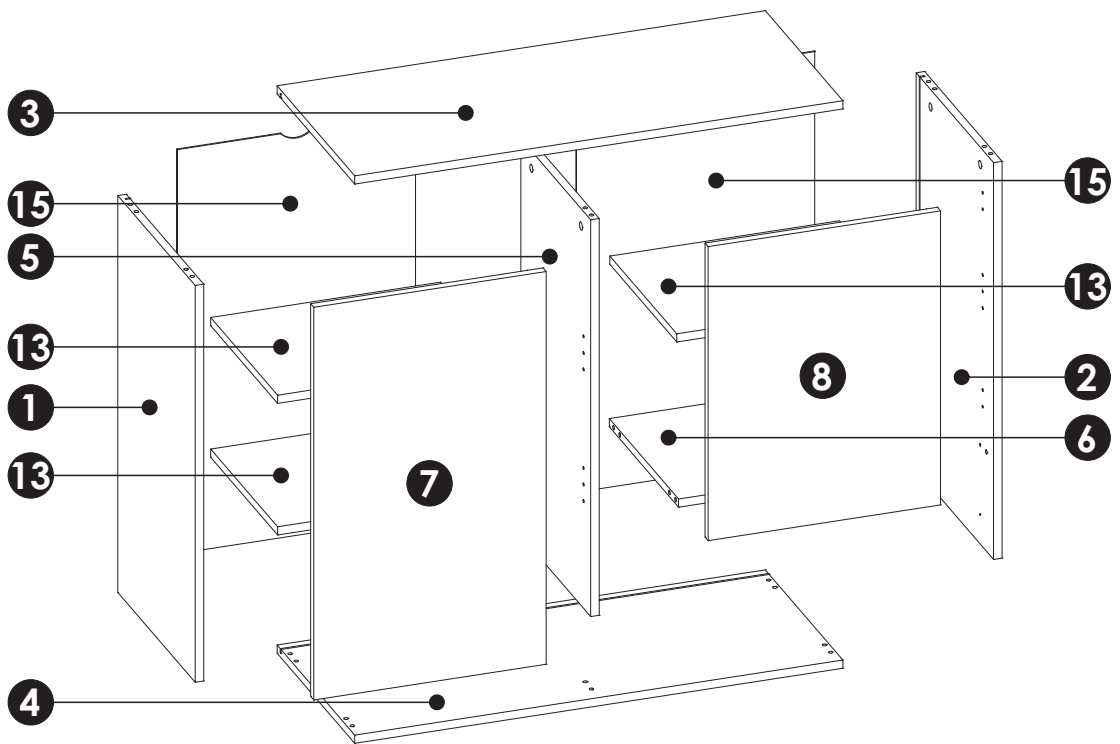
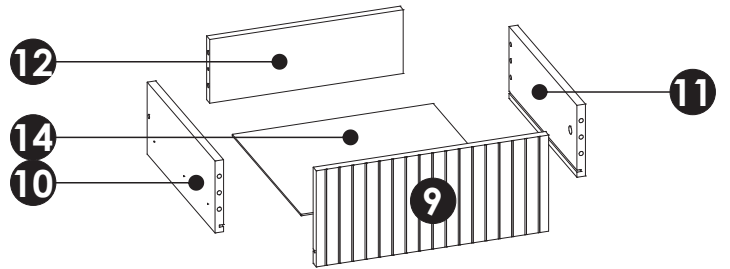
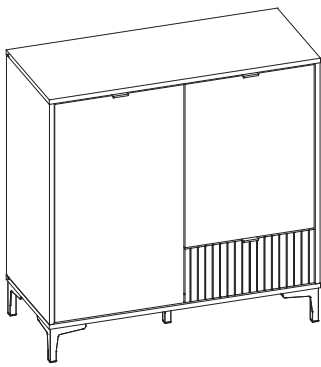




A1 8 x 35 mm x24 	B0 + B3 x4 	BD x2  H - 11 mm
C2 5 x 13 mm x10 	C4 5 x 20 mm x2 	D2 x12 
E0 Ø16 x8 	E1 15 x 12 mm x12 	F1 6 x 34 mm x12 
G1 7 x 50 mm x8 	H1 x3  L - 50 mm	I2 4 x 16 mm x2 
M x1 	N1 3 x 16 mm x10 	N4 3,5 x 13 mm x6 
N5 3,5 x 16 mm x6 	N7 3,5 x 30 mm x20 	O12 x5 
PW x2  L - 350 mm	Q9 x2 	R1 x5 
R4 x9 	R8 x6 	S13 x2  Ø8
Z x1 		

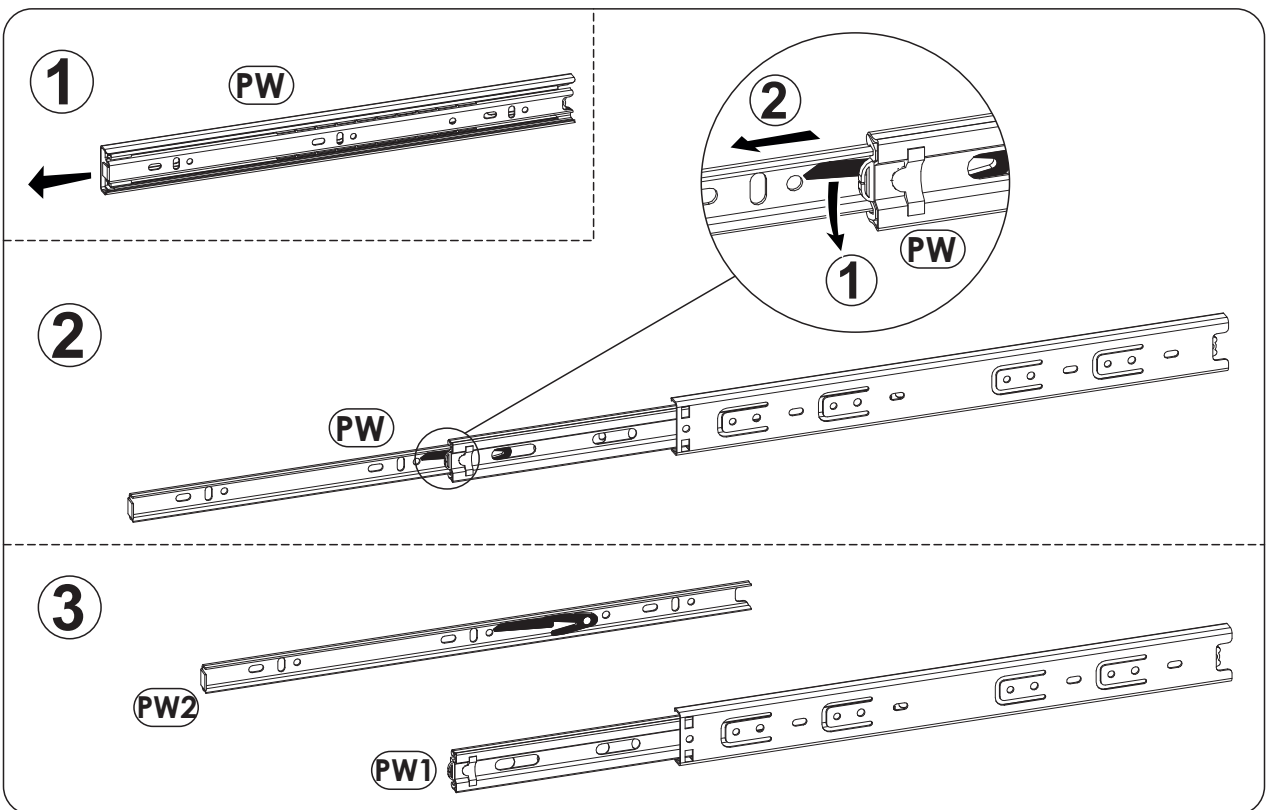
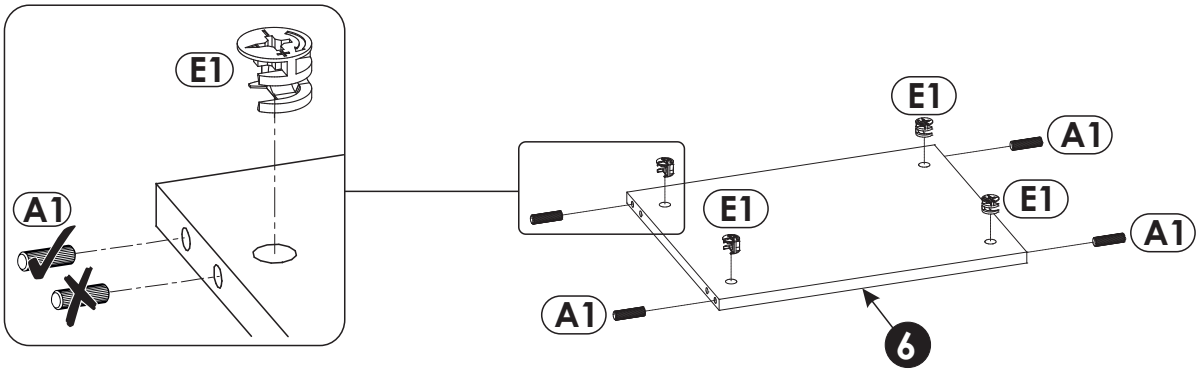
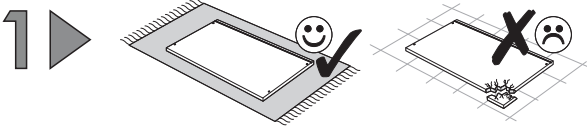
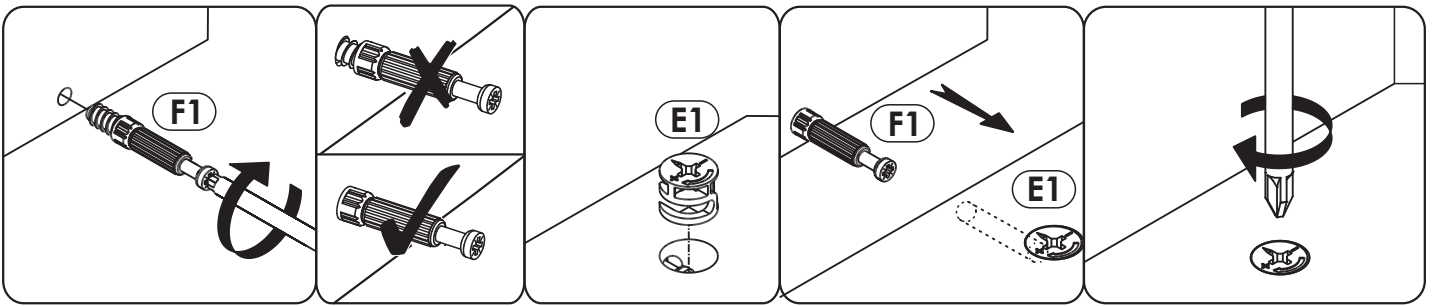


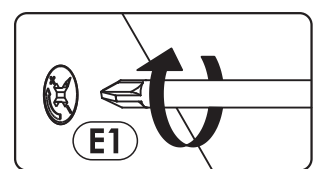
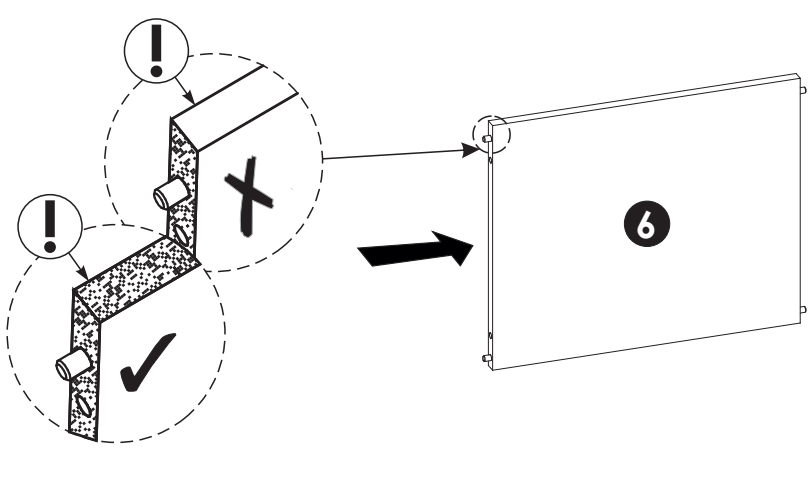
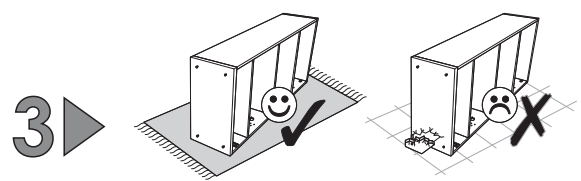
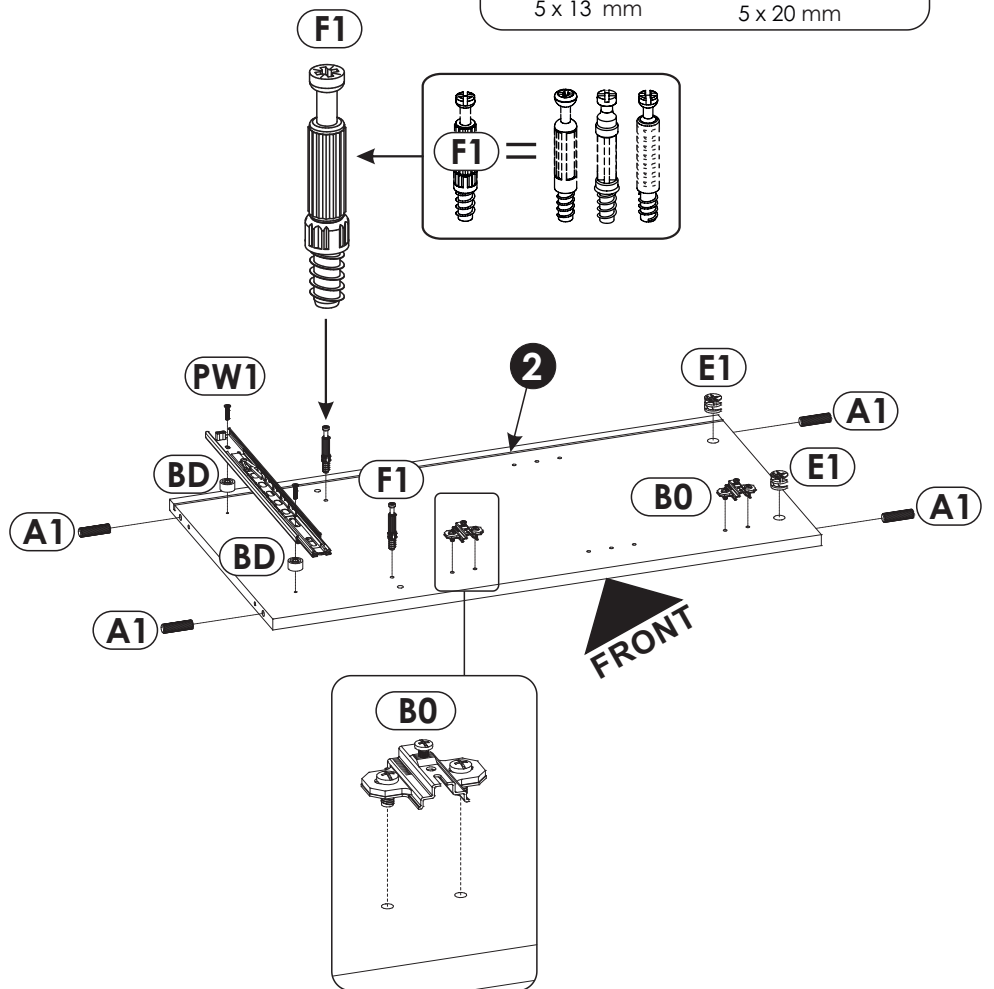
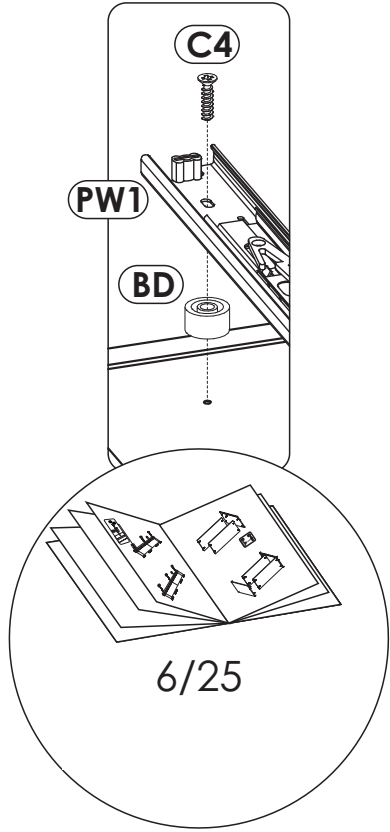
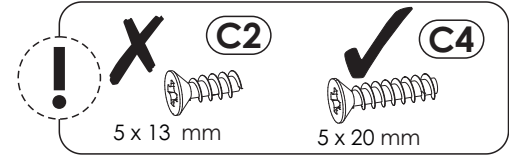
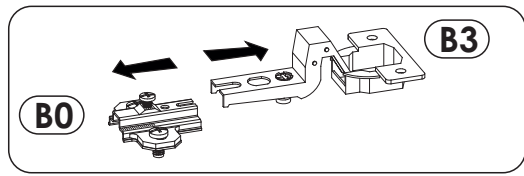
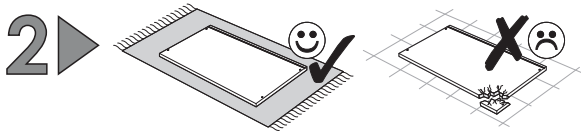




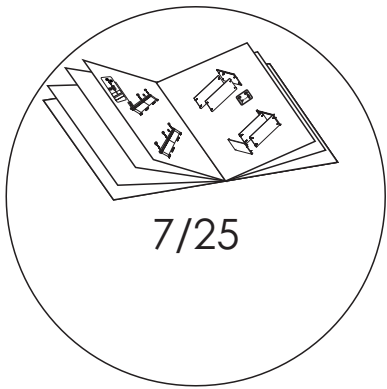
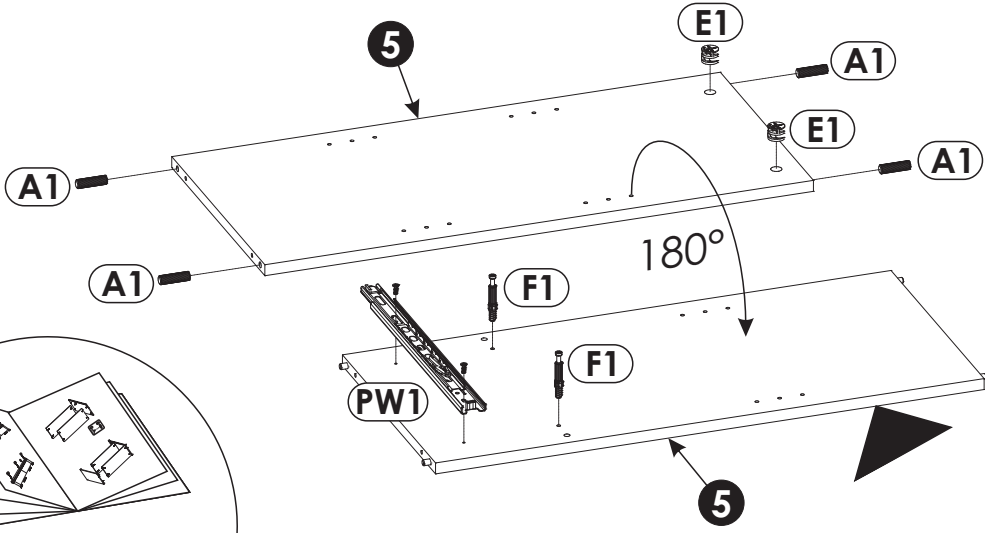
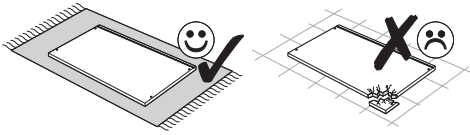
1	772	399	16	x1	1/2
2	772	399	16	x1	1/2
3	916	400	16	x1	1/2
4	916	400	16	x1	1/2
5	772	360	16	x1	2/2
6	433	357	16	x1	1/2
7	764	436	16	x1	2/2
8	571	436	16	x1	2/2

9	187	436	16	x1	2/2
10	350	140	16	x1	1/2
11	350	140	16	x1	1/2
12	363	124	16	x1	1/2
13	431	345	16	x3	1/2
14	377	355	3	x1	1/2
15	786	447	3	x2	2/2

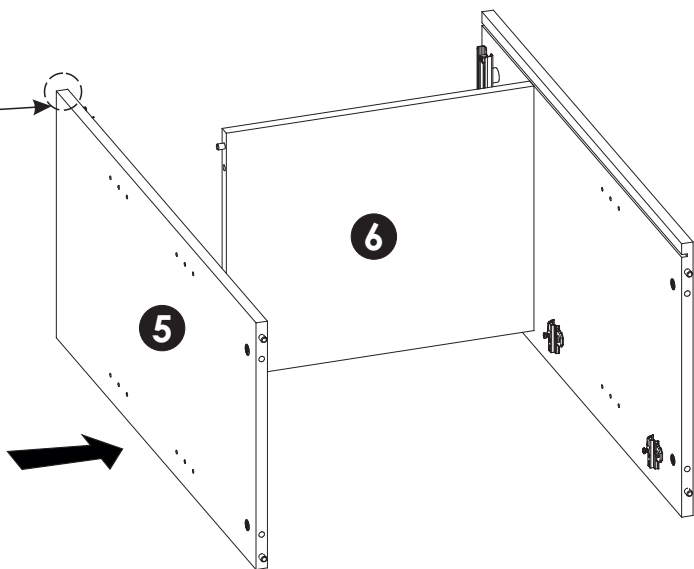
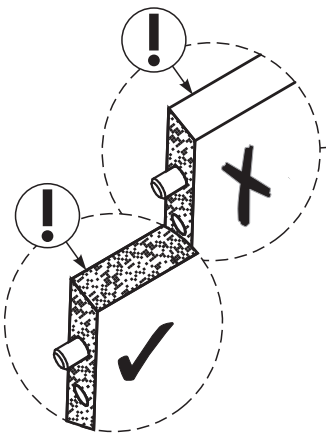
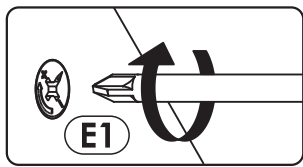
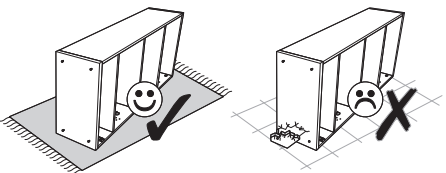




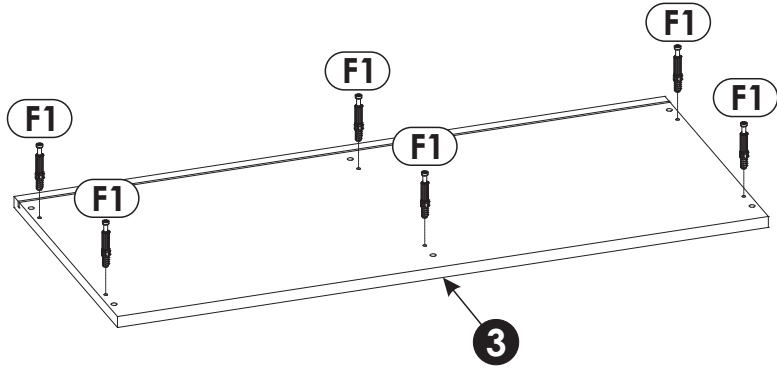
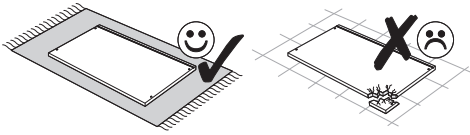
4



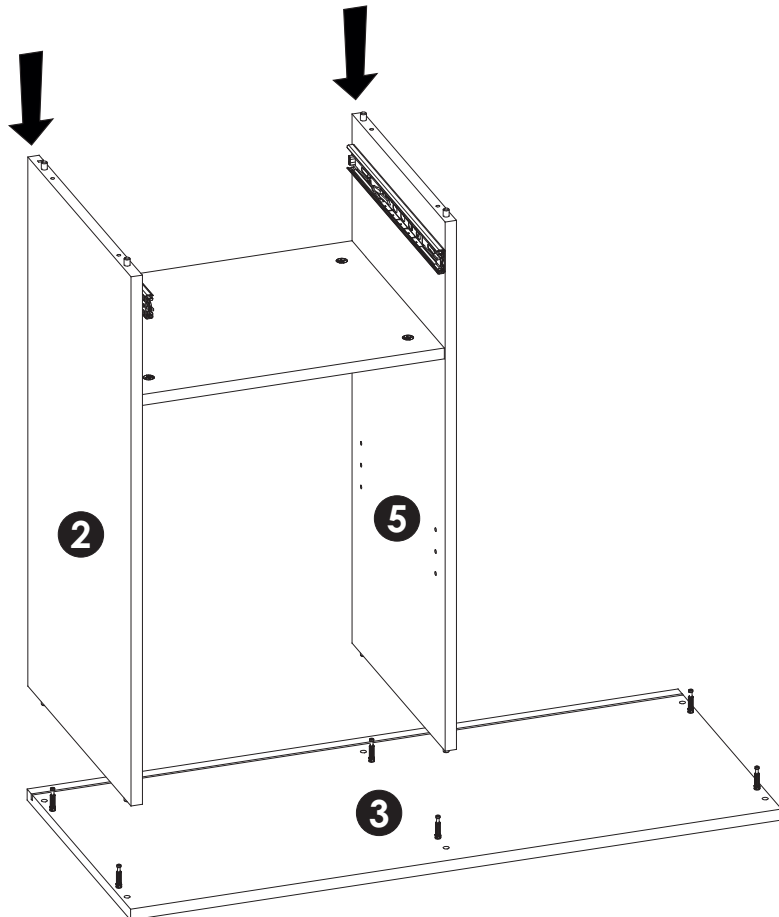
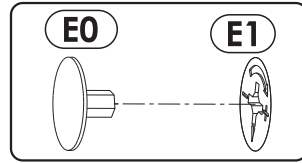
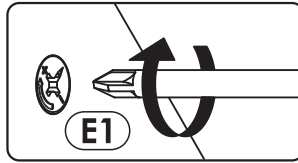
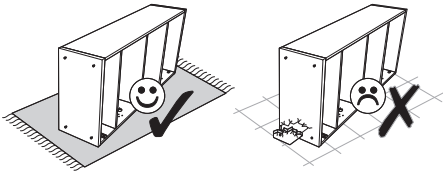
5



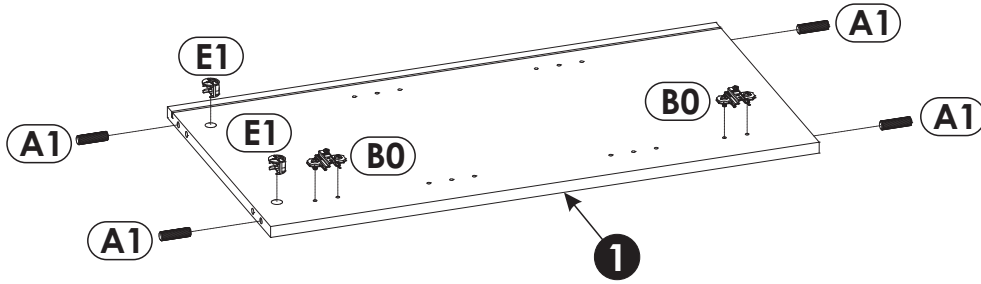
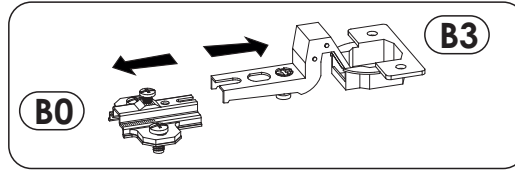
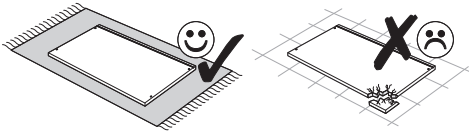
6 ▶



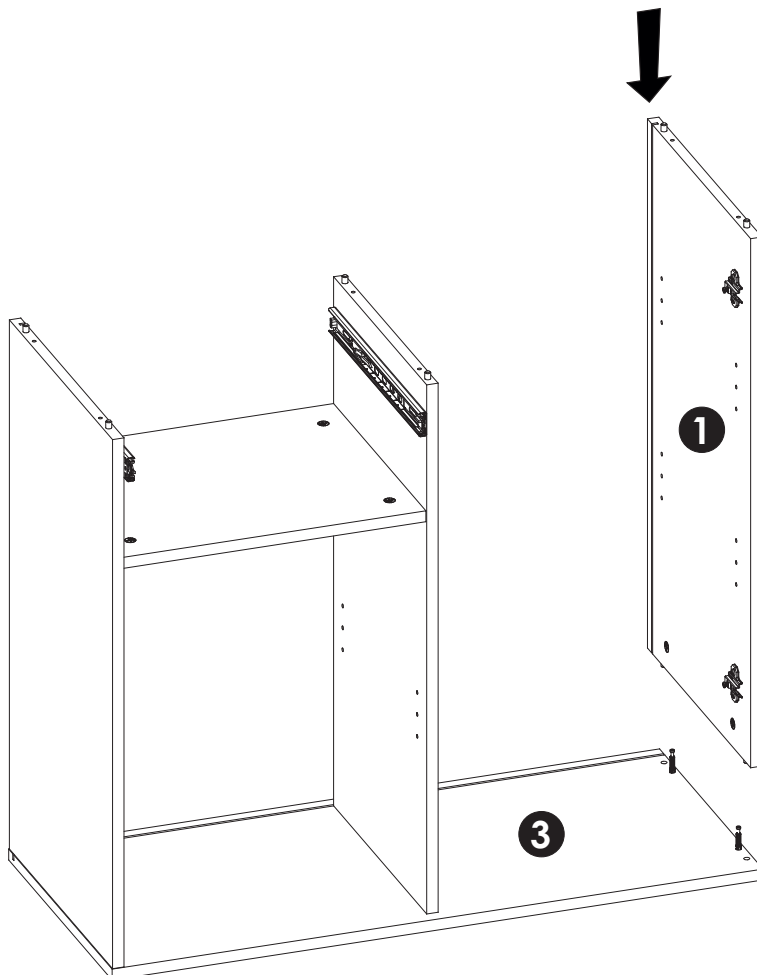
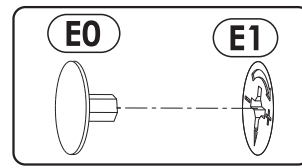
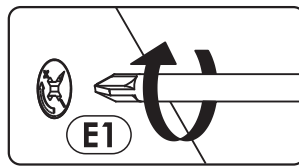
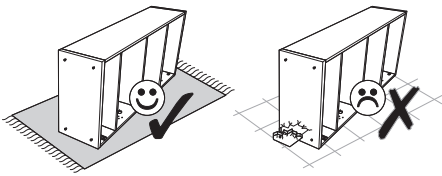
7 ▶

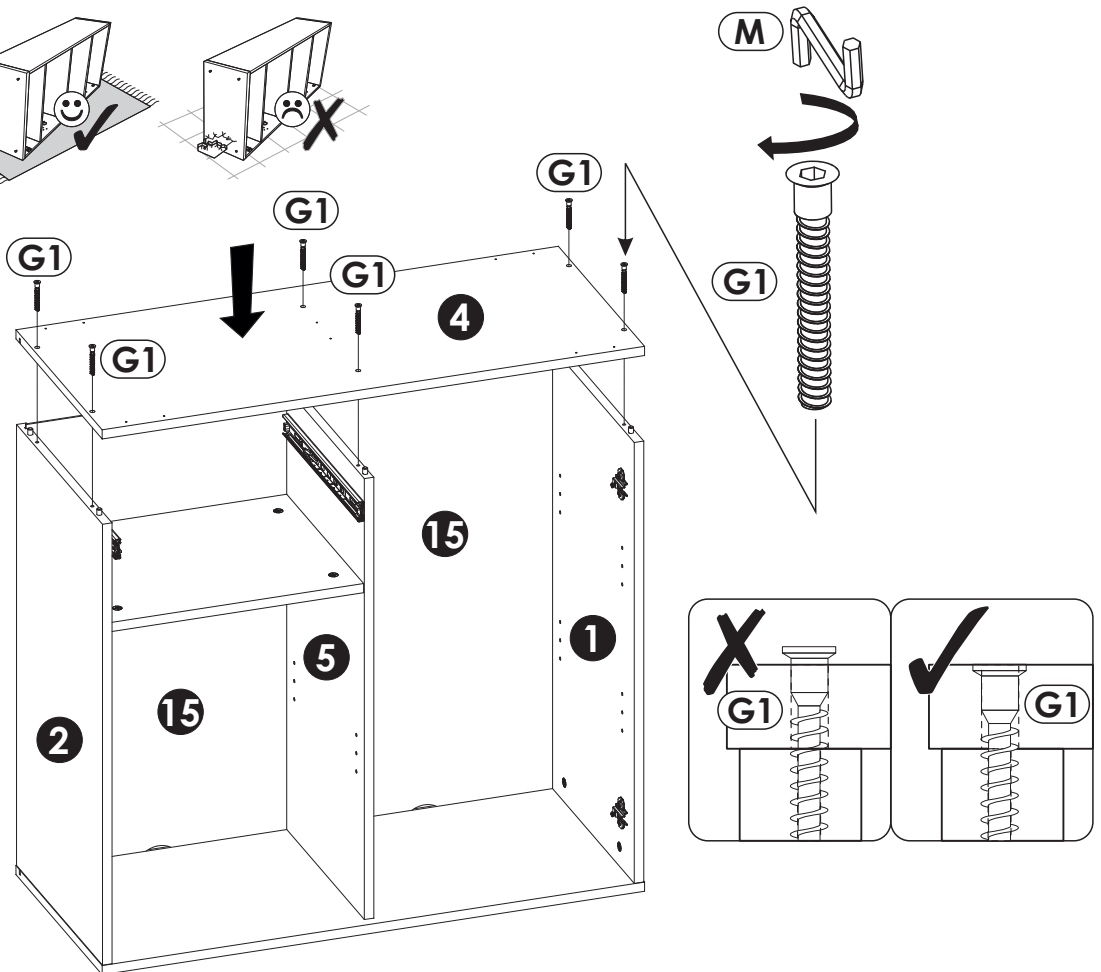
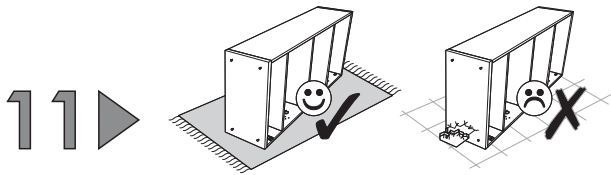
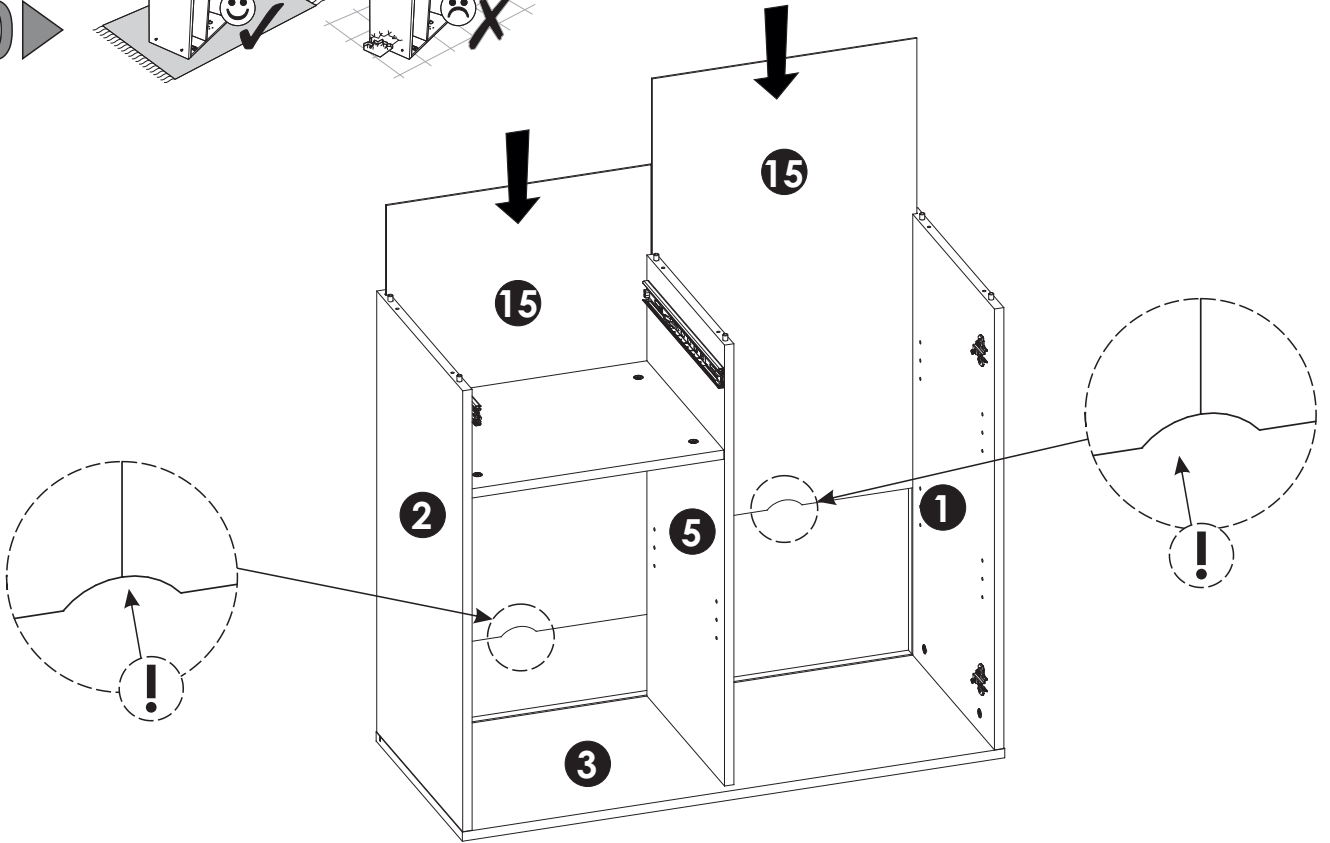
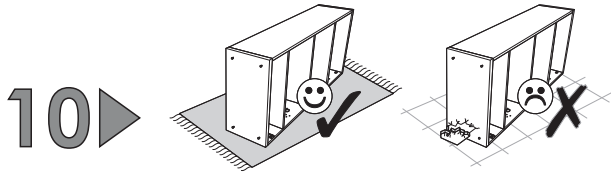


8 ▶

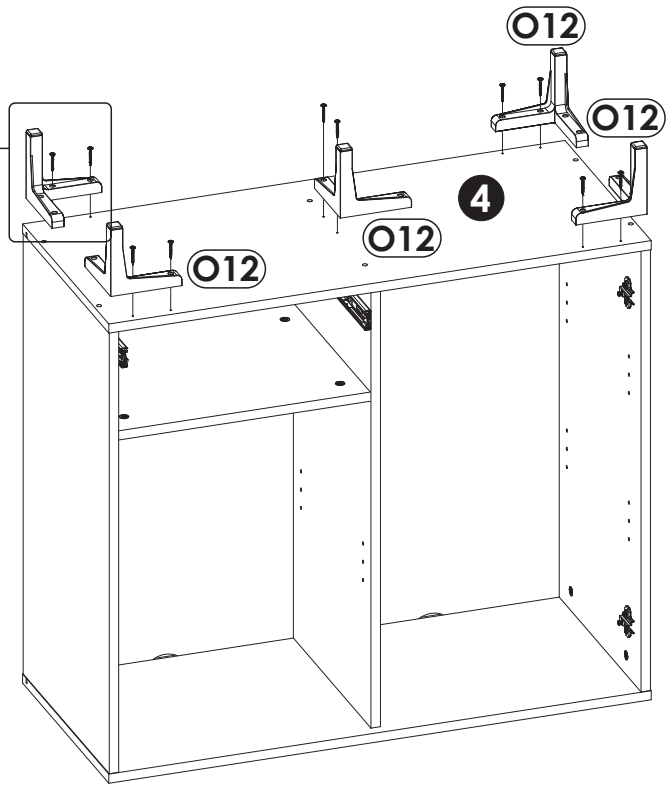
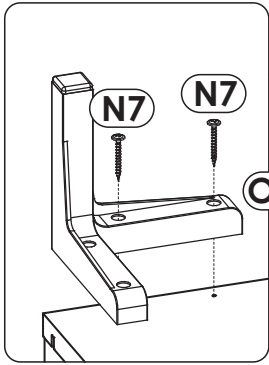
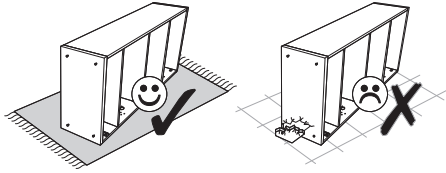


9 ▶

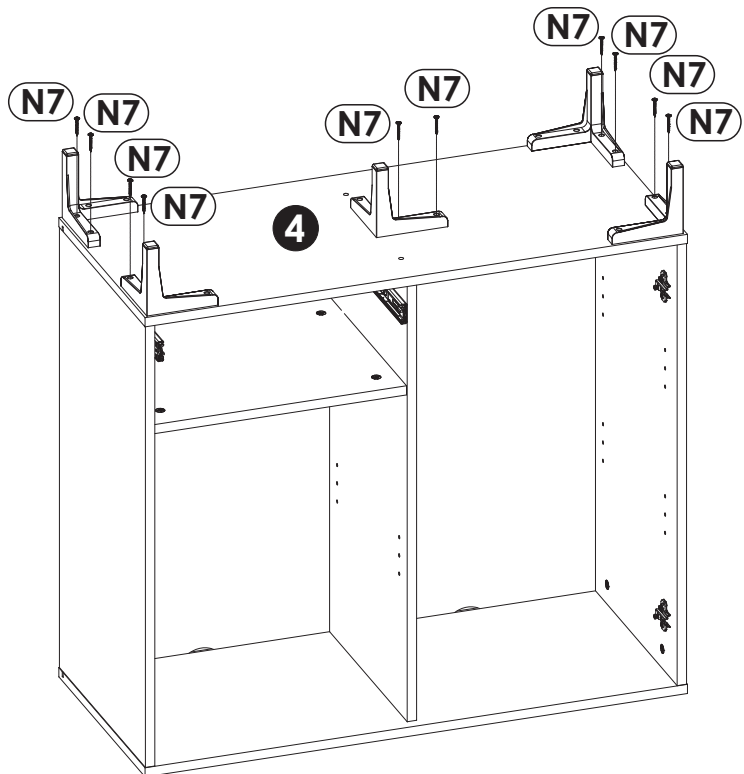
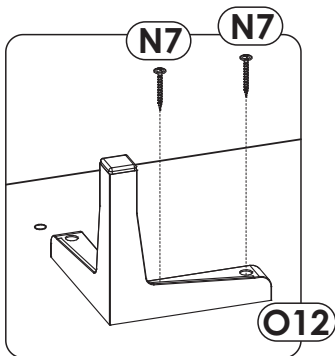
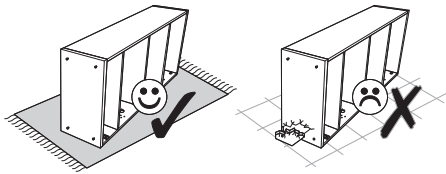




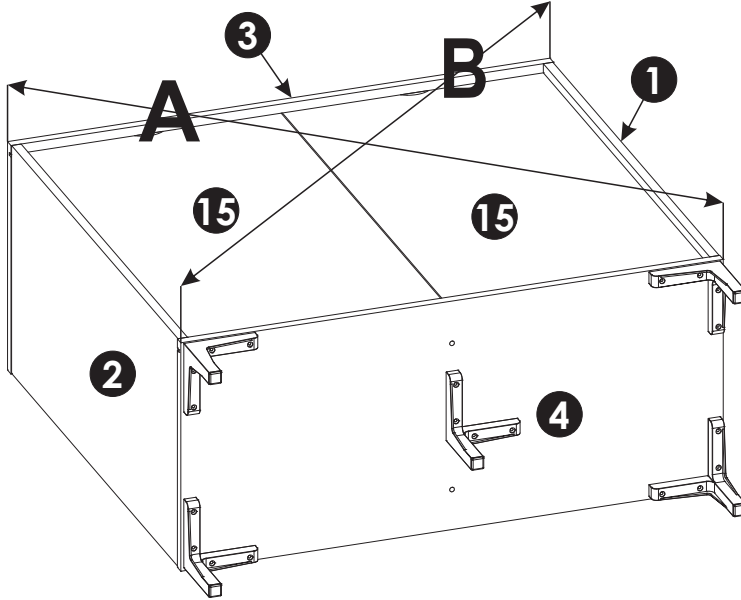
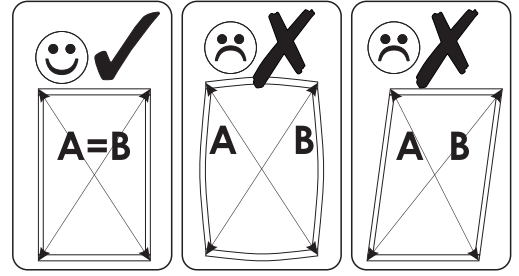
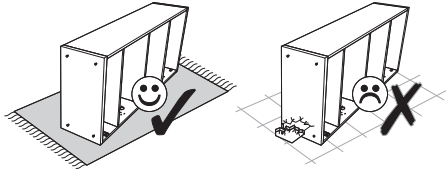
12 ▶



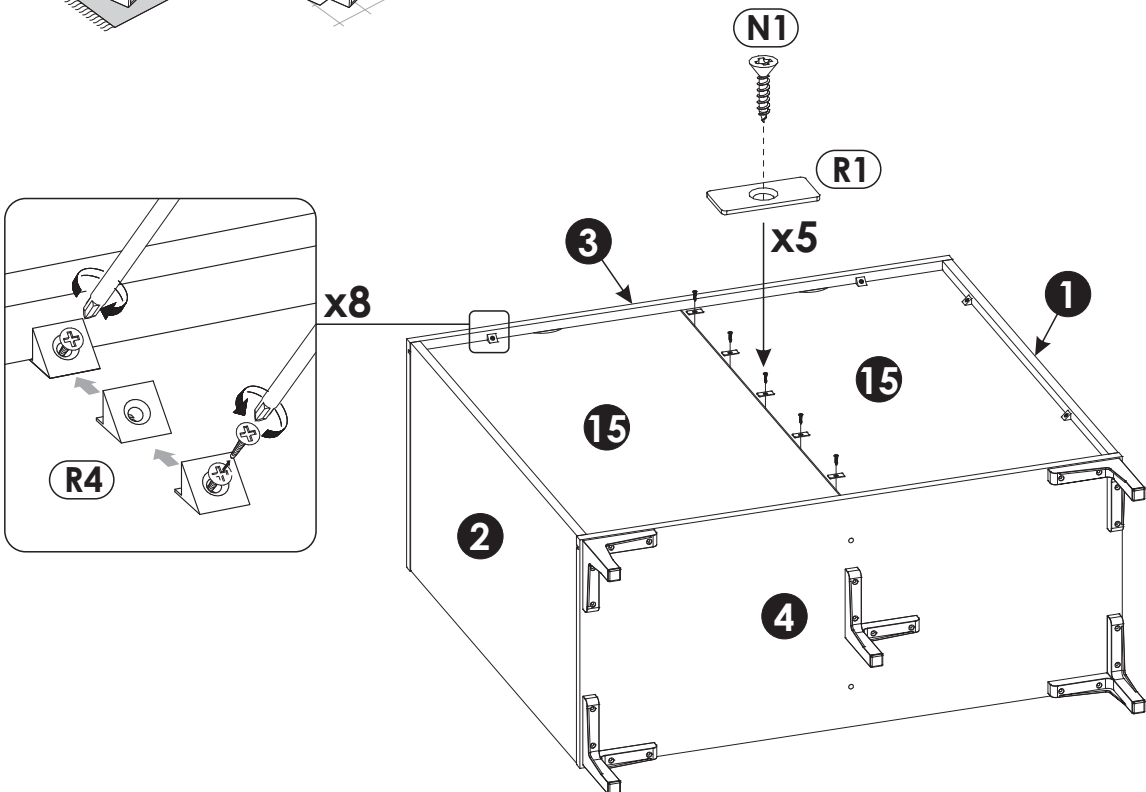
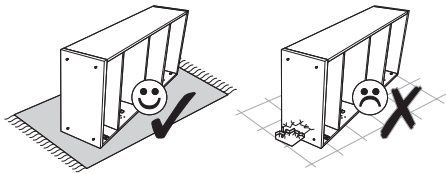
13 ▶

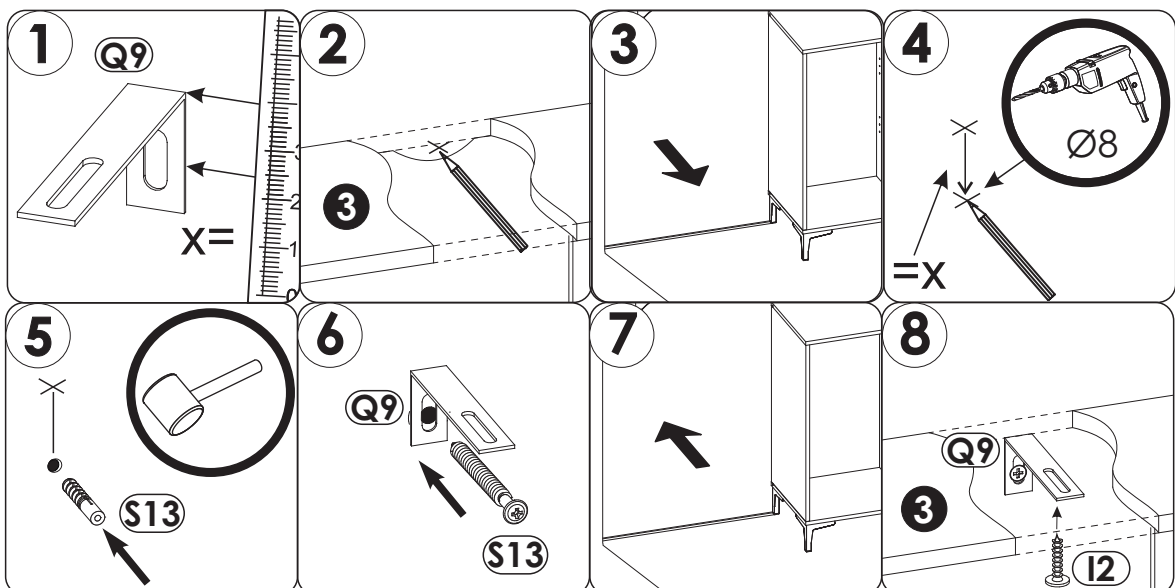
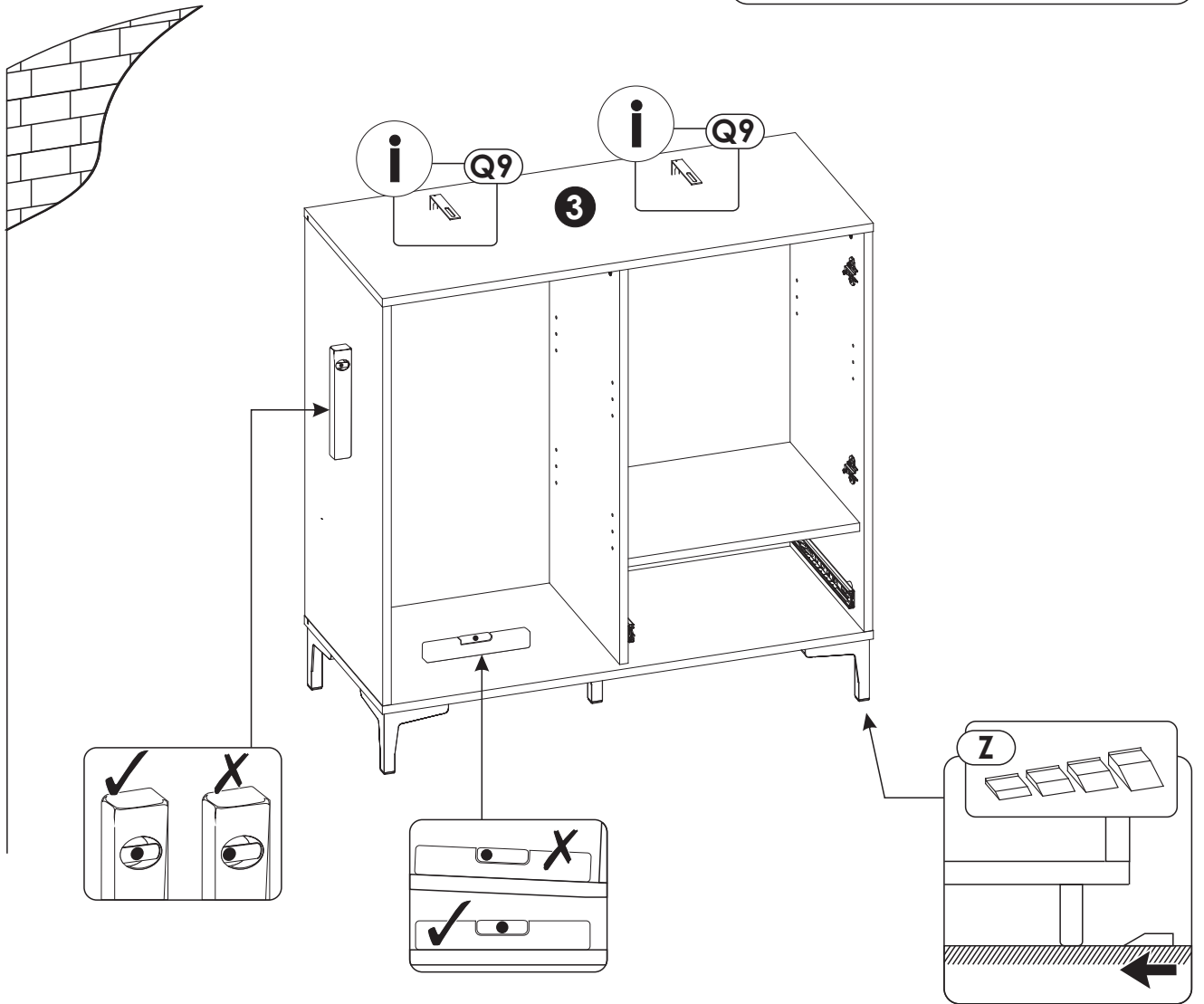
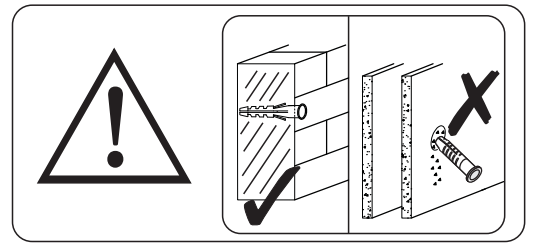


14▶

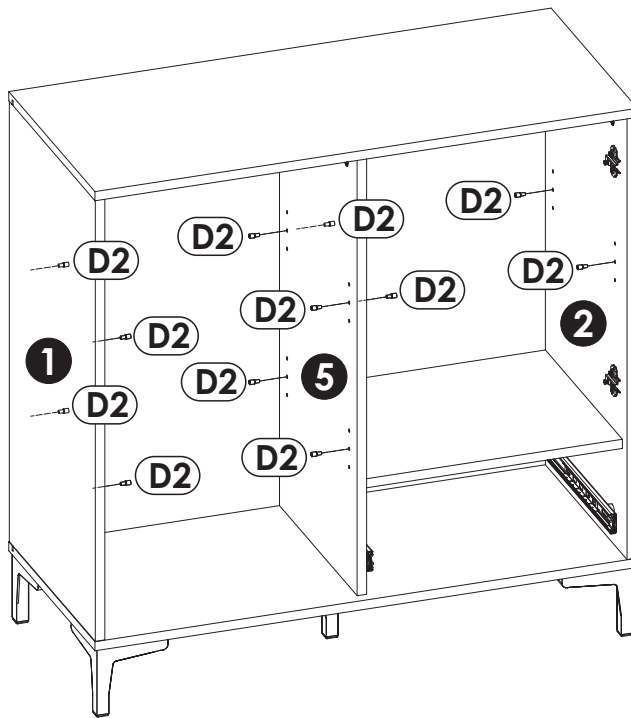
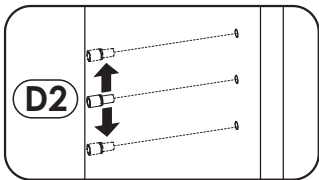


15▶

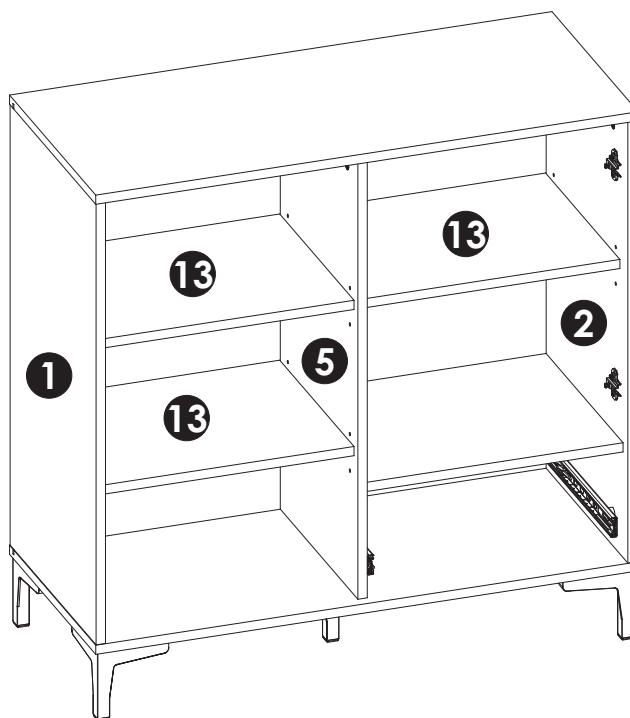
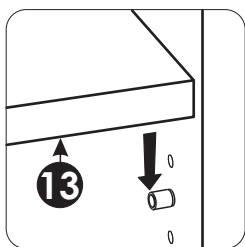




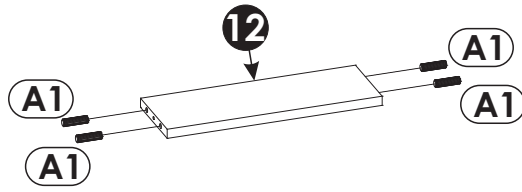
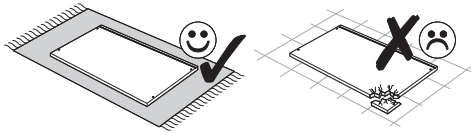
17▶



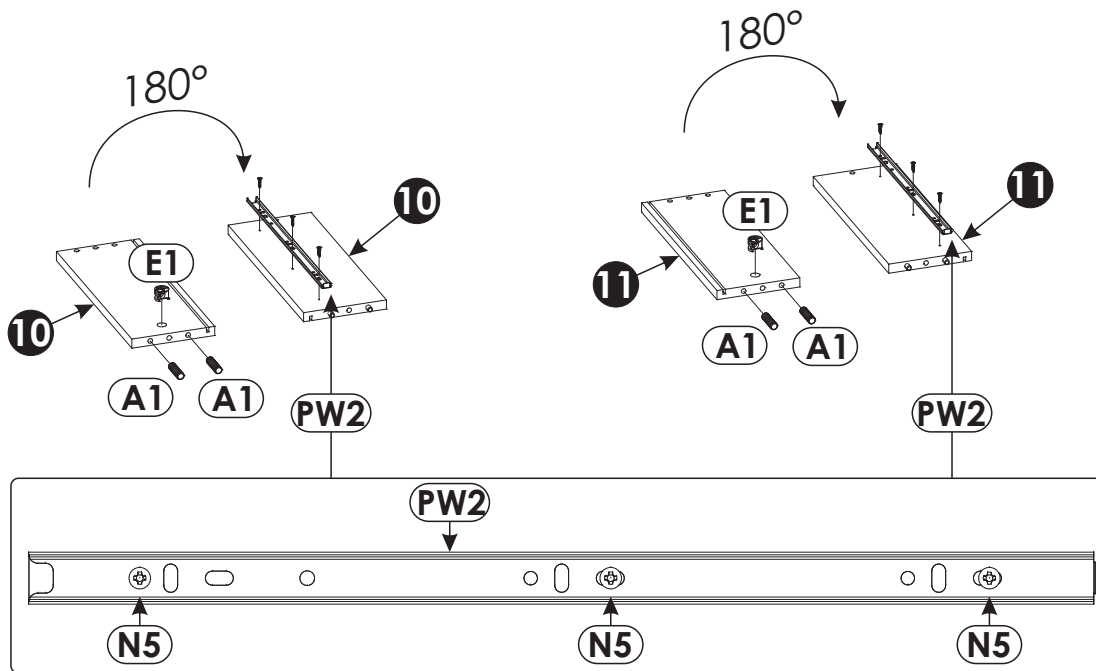
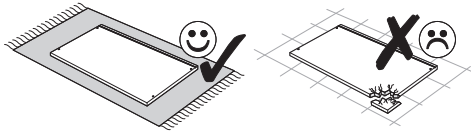
18▶



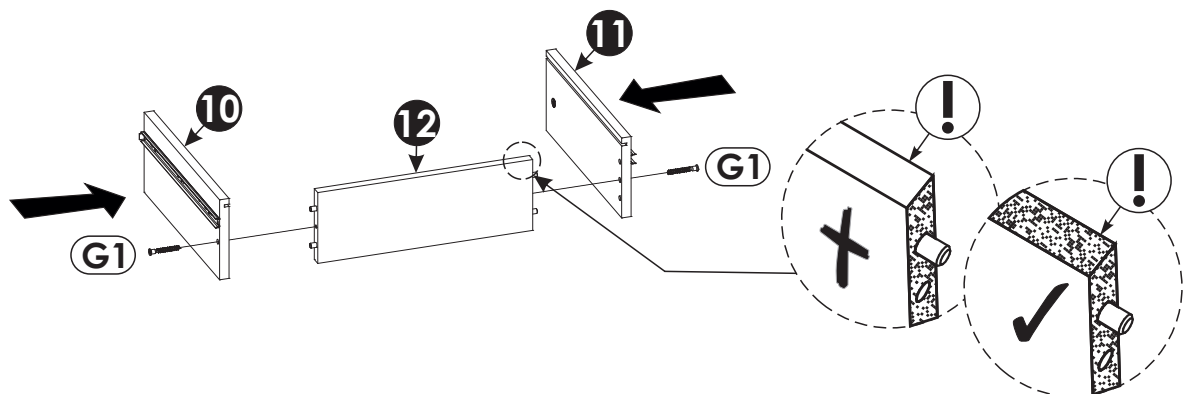
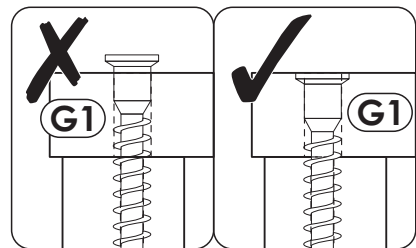
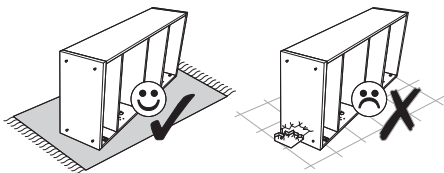
19 ▶



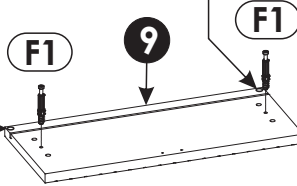
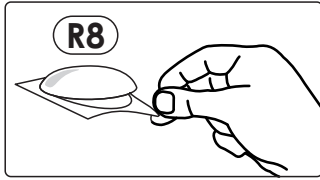
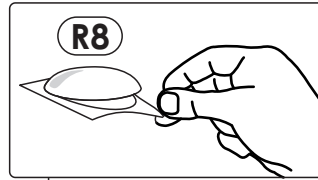
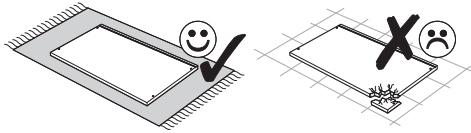
20 ▶



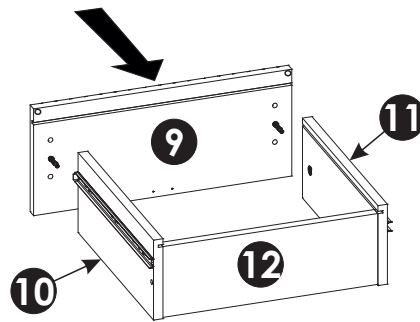
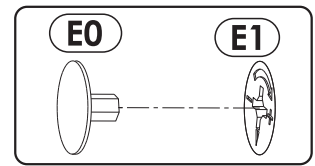
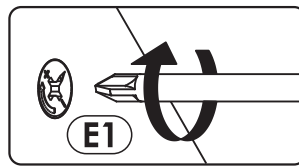
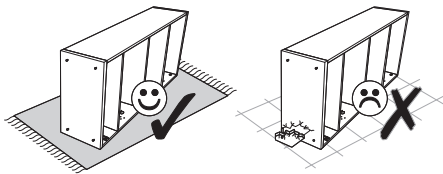
21 ▶



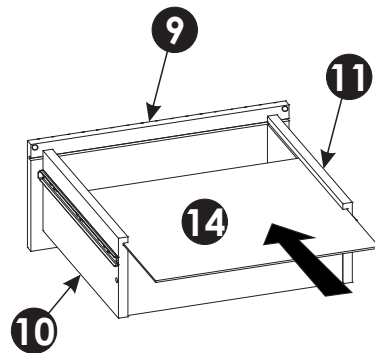
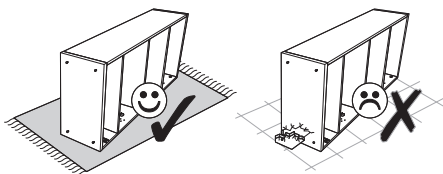
22 ▶



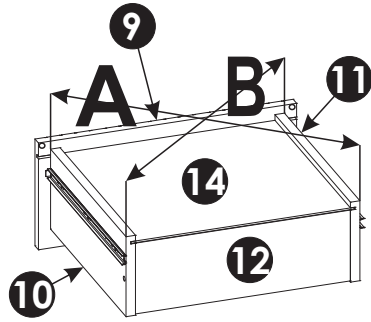
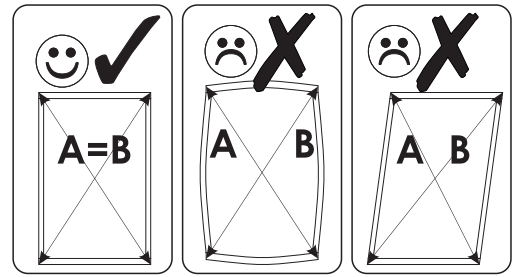
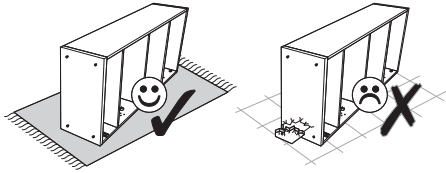
23 ▶



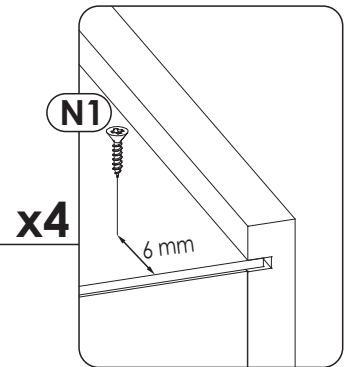
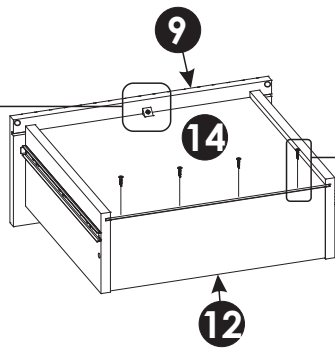
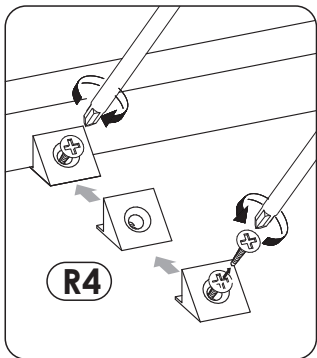
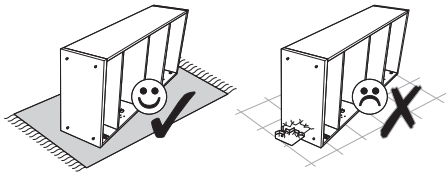
24 ▶



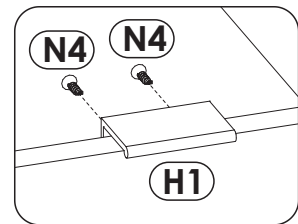
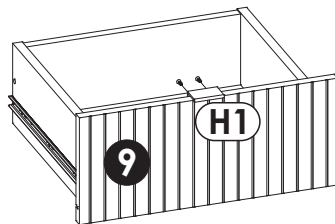
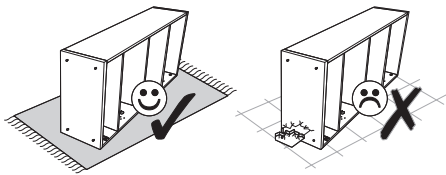
25 ▶



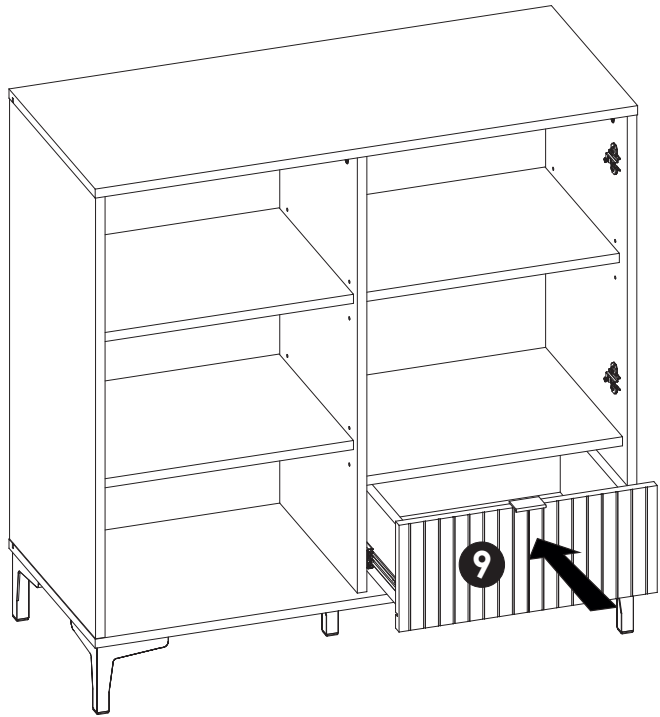
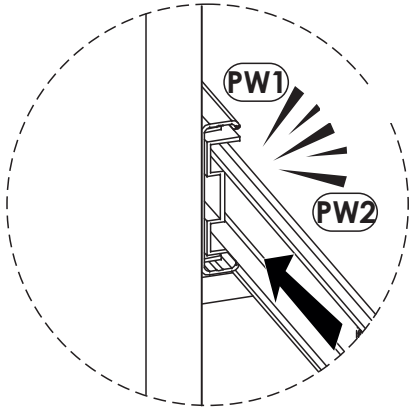
26 ▶



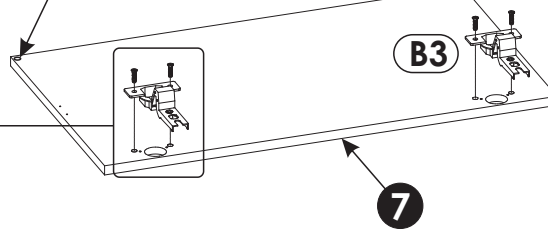
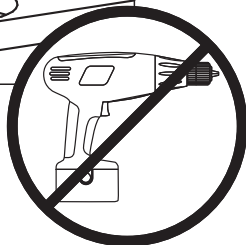
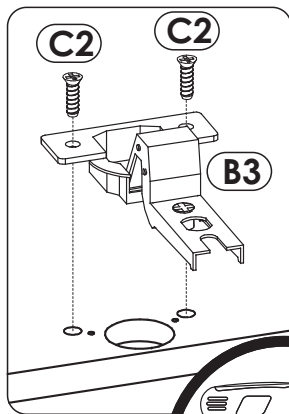
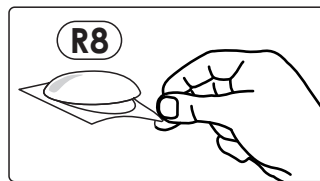
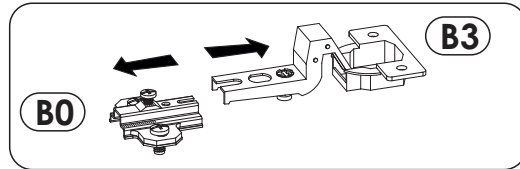
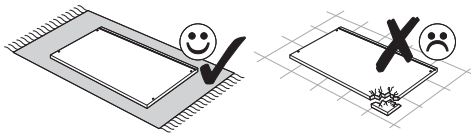
27 ▶



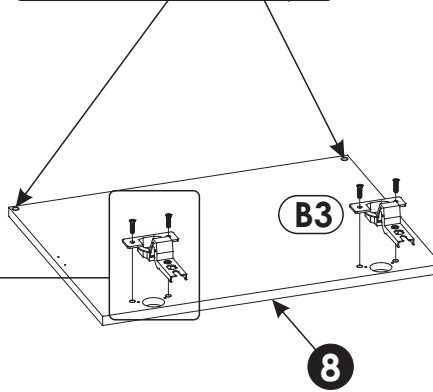
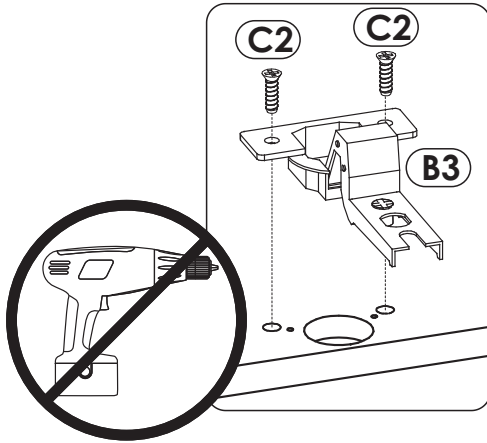
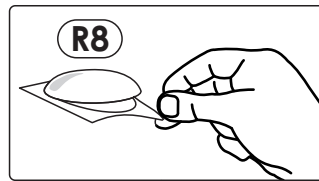
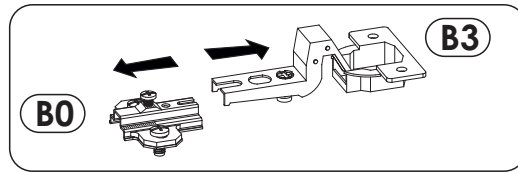
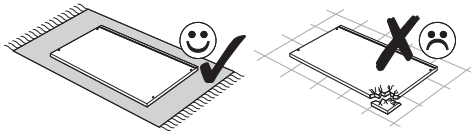
28▶



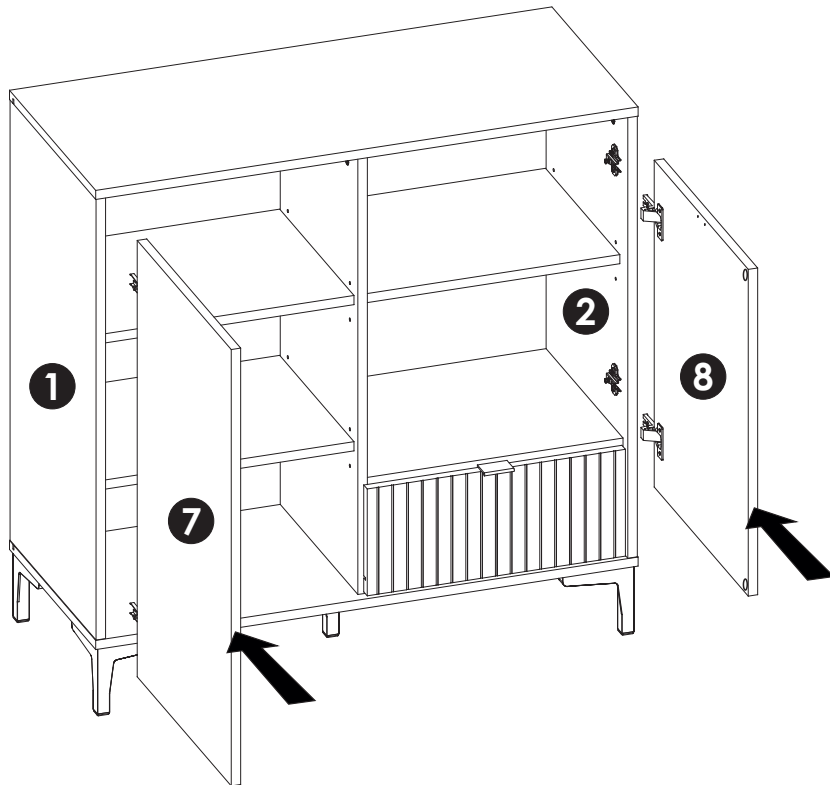
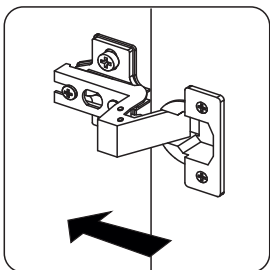
29▶



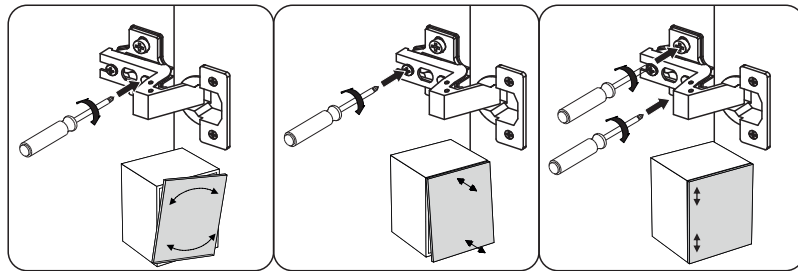
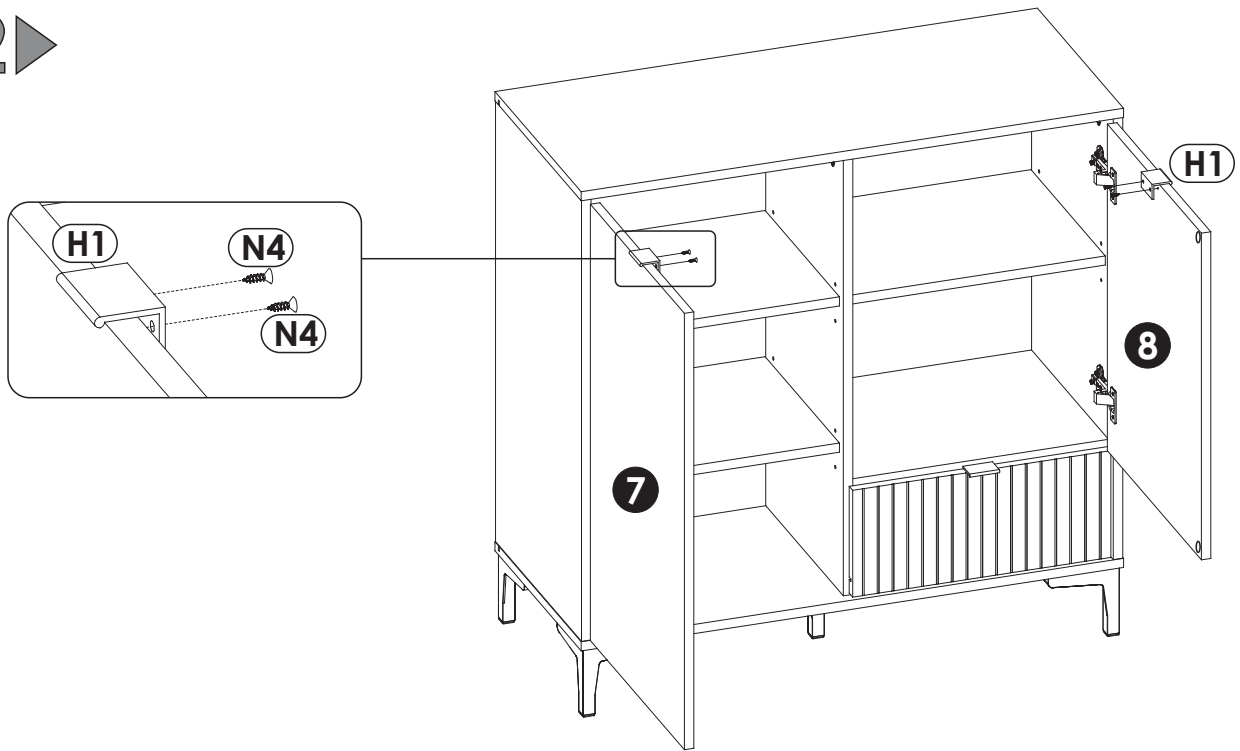
30 ▶



31 ▶



32 ▶



33 ▶

