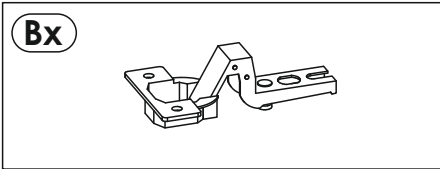
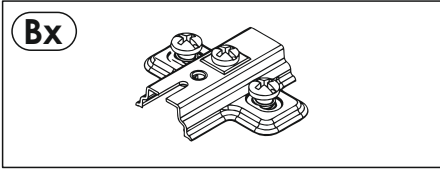


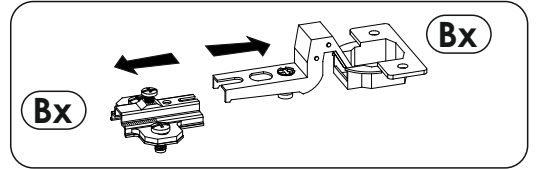
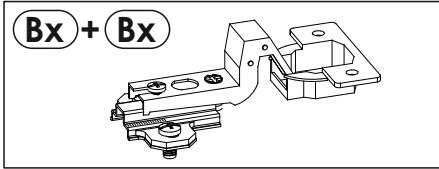


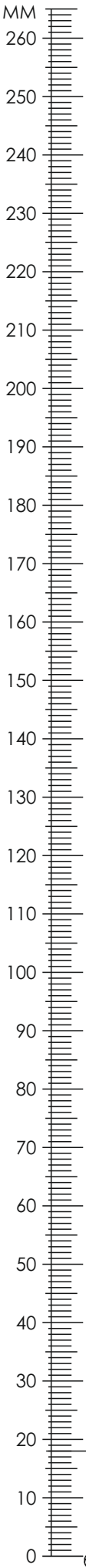


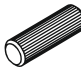

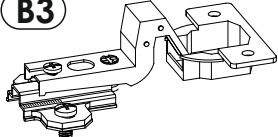
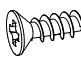
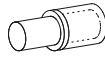
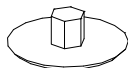

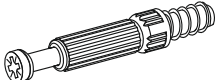
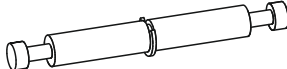
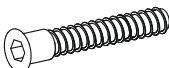
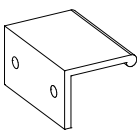
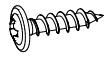
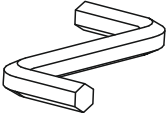
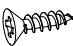

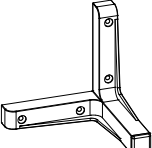
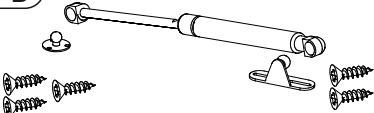
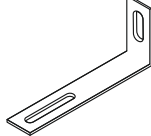
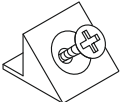
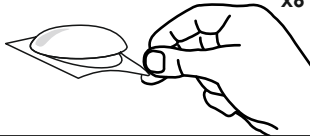
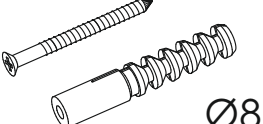

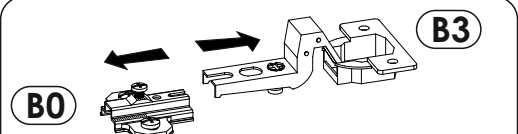
A

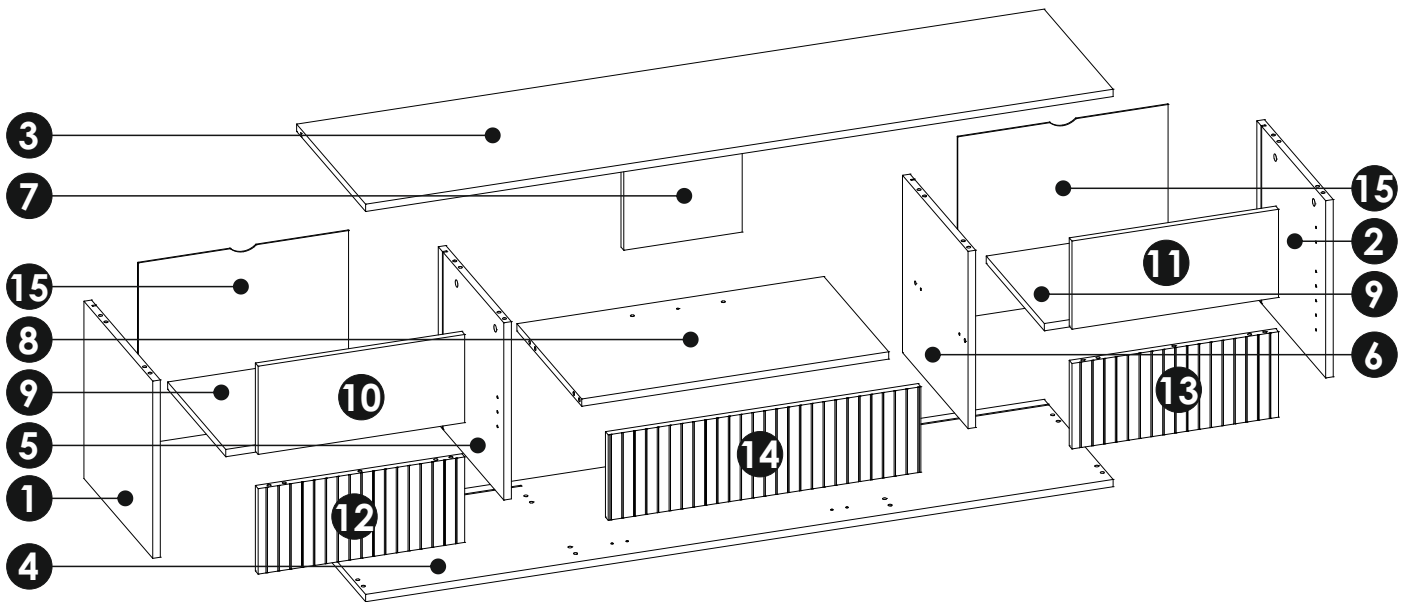
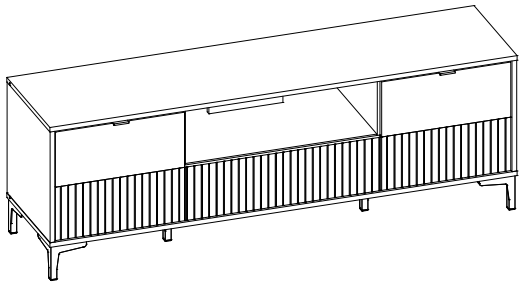


B



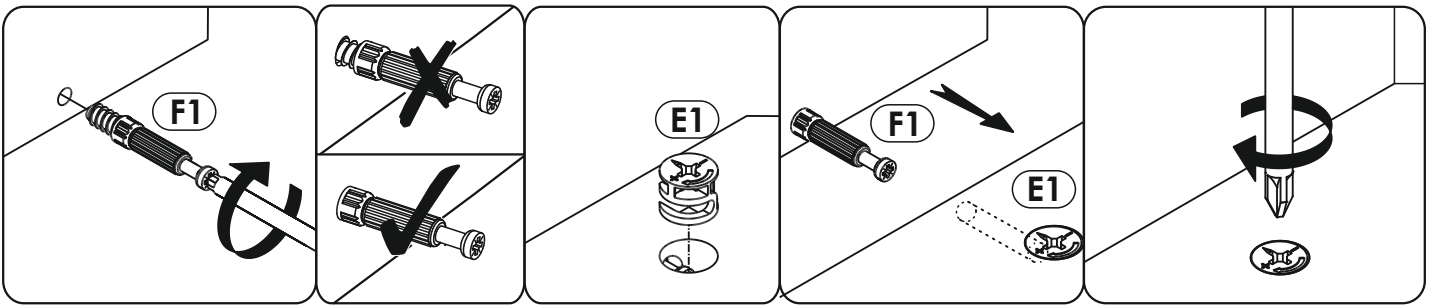


| | | |
|---|---|--|
| A1 8 x 35 mm x24  | A2 8 x 45 mm x6  | B0 + B3 x6  |
| C2 5 x 13 mm x12  | D2 x8  | E0 Ø16 x22  |
| E1 15 x 12 mm x22  | F1 6 x 34 mm x14  | F3 7 x 64 mm x4  |
| G1 7 x 50 mm x8  | H1 x3 L - 50 mm  | I2 4 x 16 mm x2  |
| M x1  | N4 3,5 x 13 mm x6  | N7 3,5 x 30 mm x24  |
| O12 x6  | PB x1  | Q9 x2  |
| R4 x8  | R8 x6  | S13 x2  Ø8 |
| Z x1  |  | |

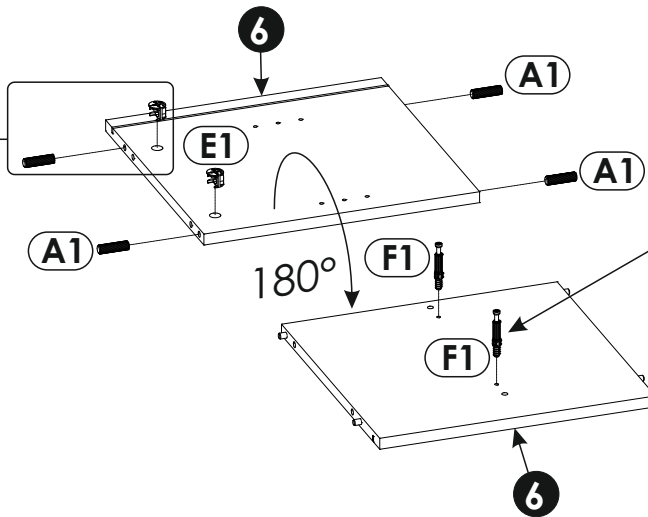
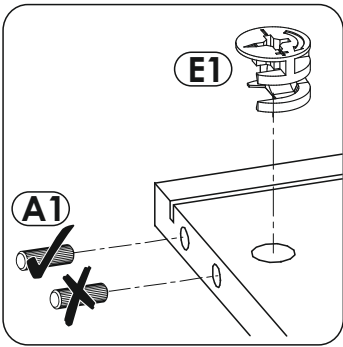
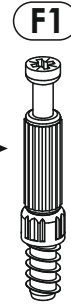
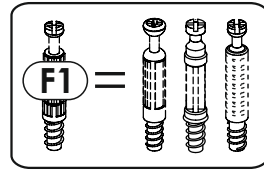
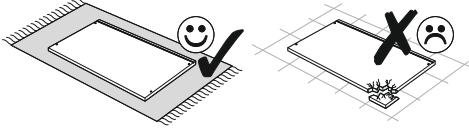


| | | | | | |
|----------|------|-----|----|----|-----|
| 1 | 388 | 399 | 16 | x1 | 2/2 |
| 2 | 388 | 399 | 16 | x1 | 2/2 |
| 3 | 1578 | 400 | 16 | x1 | 2/2 |
| 4 | 1578 | 400 | 16 | x1 | 2/2 |
| 5 | 388 | 380 | 16 | x1 | 1/2 |
| 6 | 388 | 380 | 16 | x1 | 1/2 |
| 7 | 195 | 250 | 16 | x1 | 1/2 |

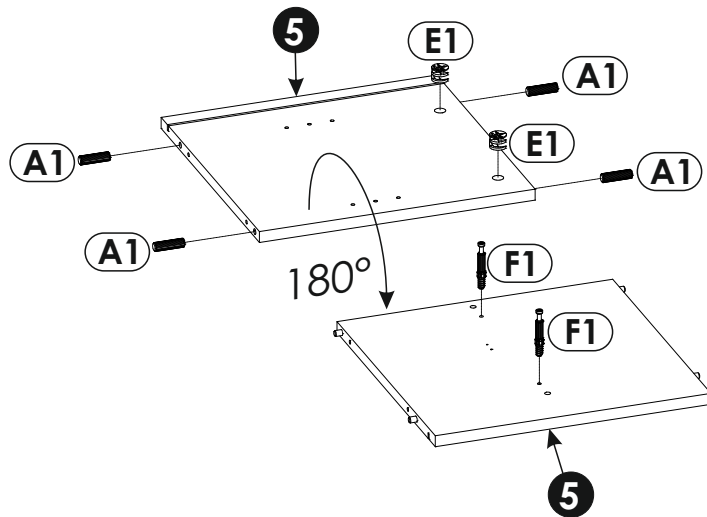
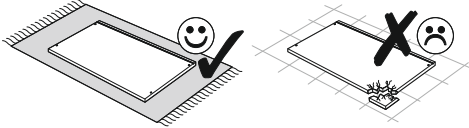
| | | | | | |
|-----------|-----|-----|----|----|-----|
| 8 | 648 | 376 | 16 | x1 | 1/2 |
| 9 | 431 | 337 | 16 | x2 | 1/2 |
| 10 | 193 | 436 | 16 | x1 | 1/2 |
| 11 | 193 | 436 | 16 | x1 | 1/2 |
| 12 | 187 | 436 | 16 | x1 | 1/2 |
| 13 | 187 | 436 | 16 | x1 | 1/2 |
| 14 | 187 | 660 | 16 | x1 | 2/2 |
| 15 | 444 | 398 | 3 | x2 | 2/2 |

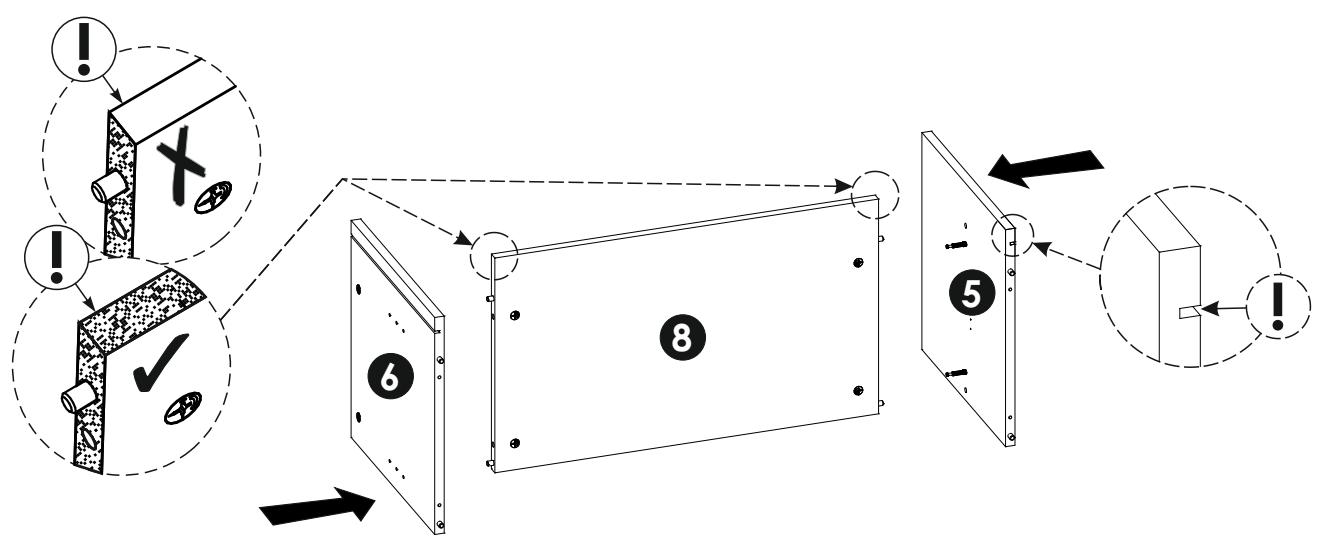
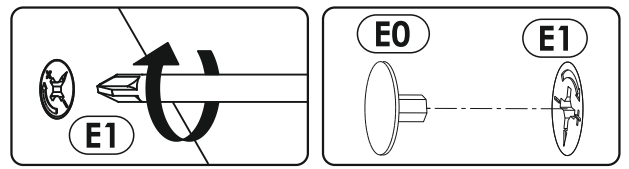
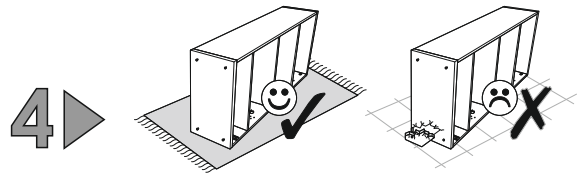
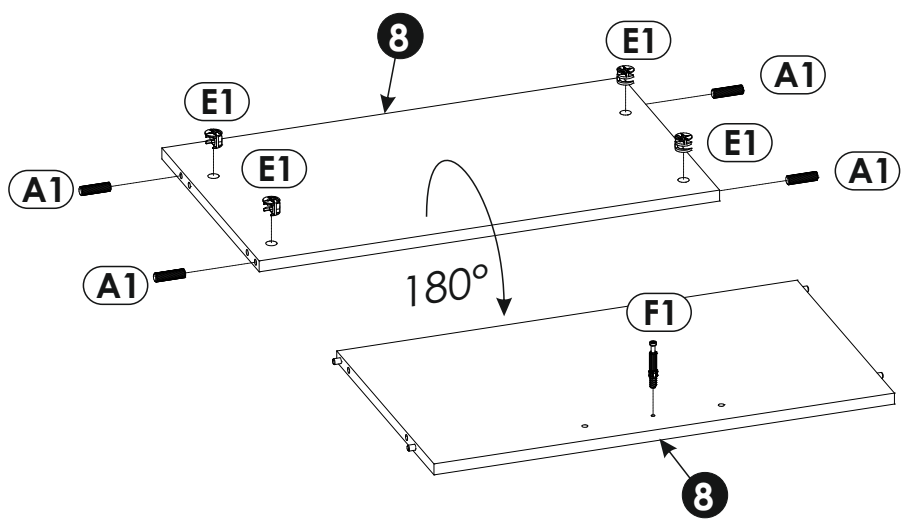
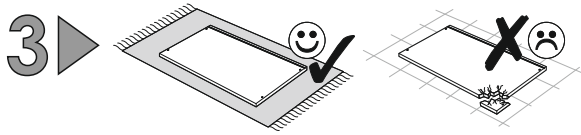


1 ▶

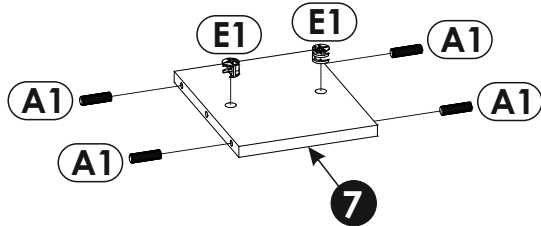
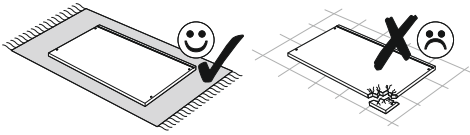


2 ▶

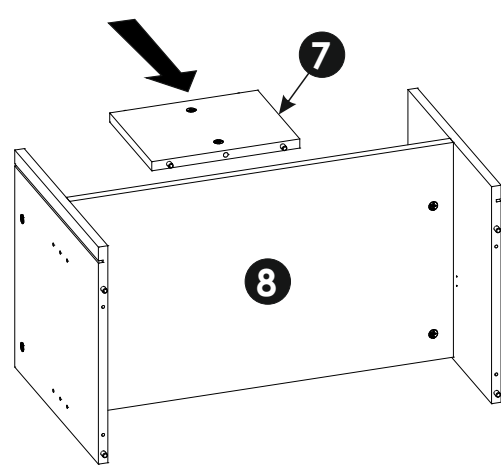
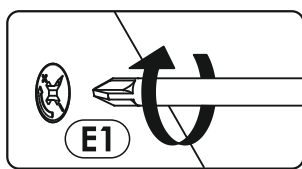
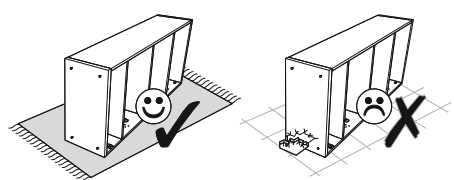




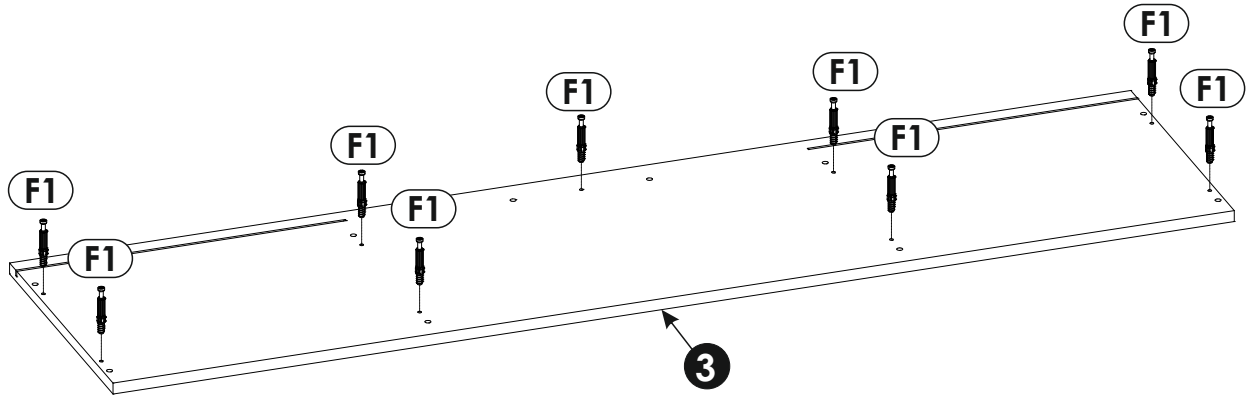
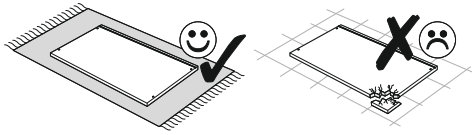
5 ▶



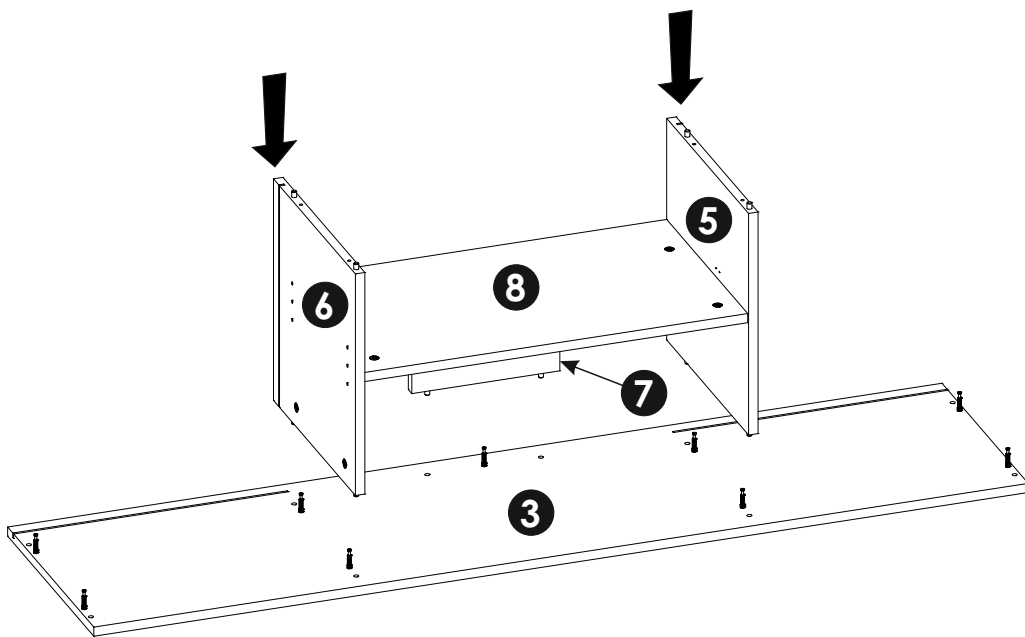
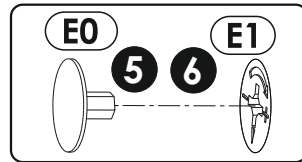
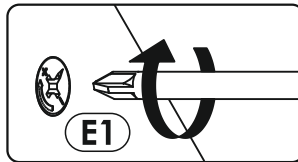
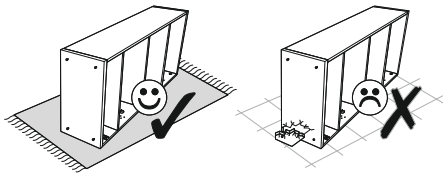
6 ▶



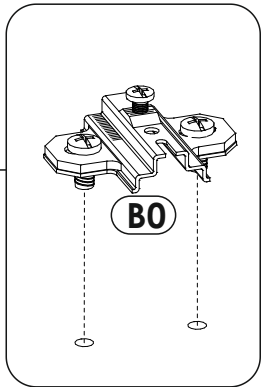
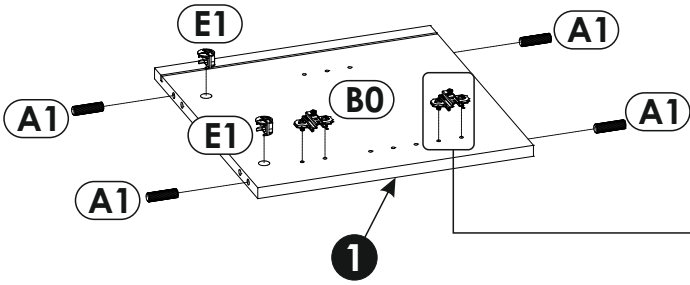
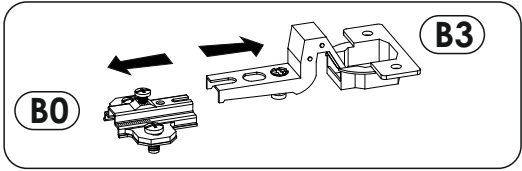
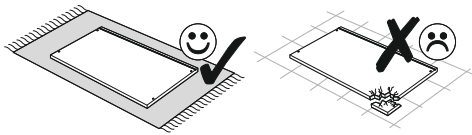
7 ▶



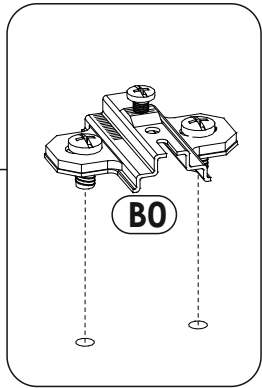
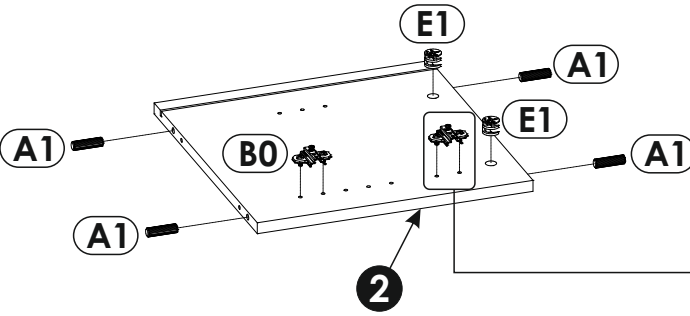
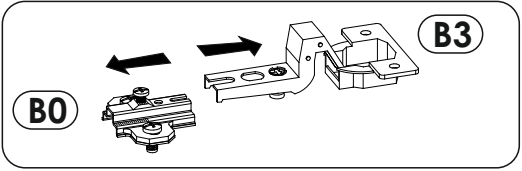
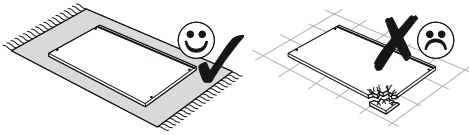
8 ▶



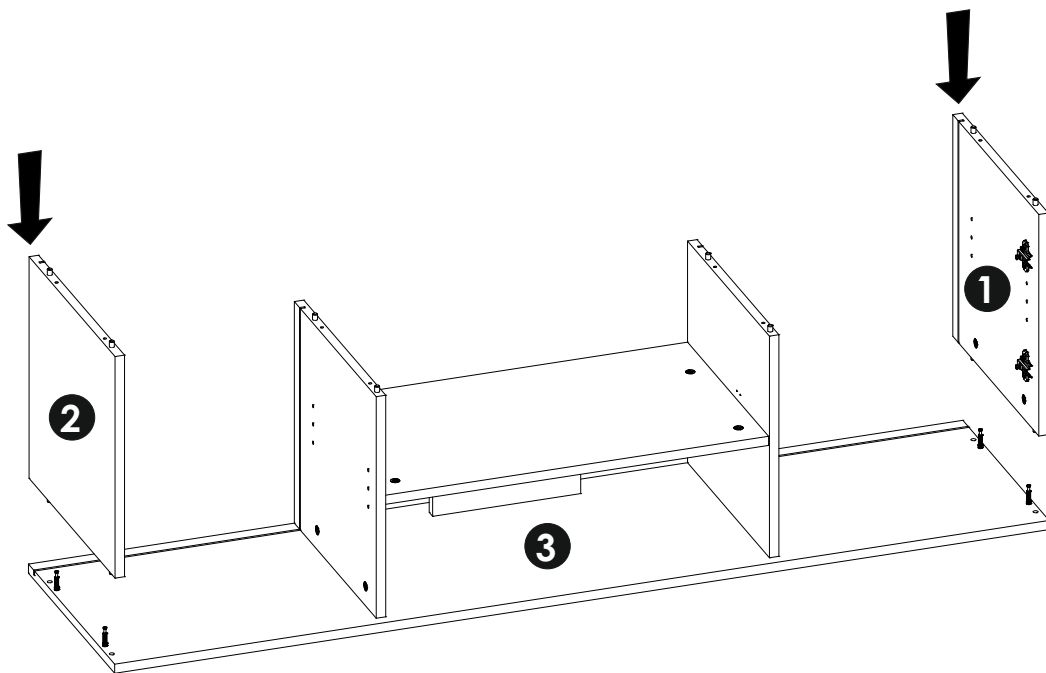
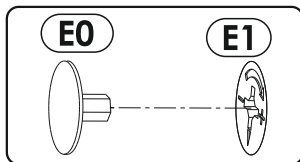
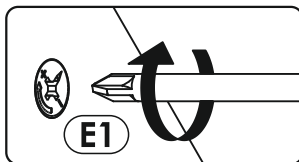
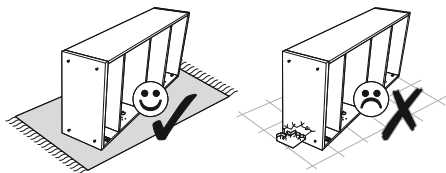
9 ▶



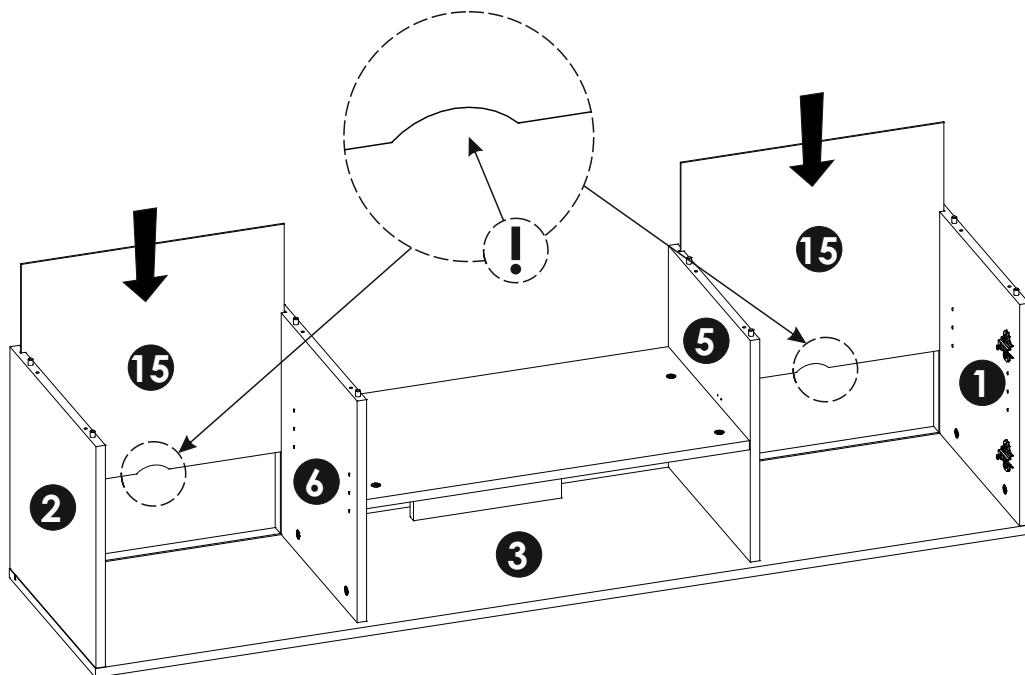
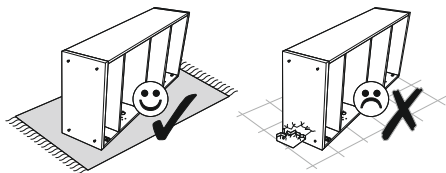
10 ▶

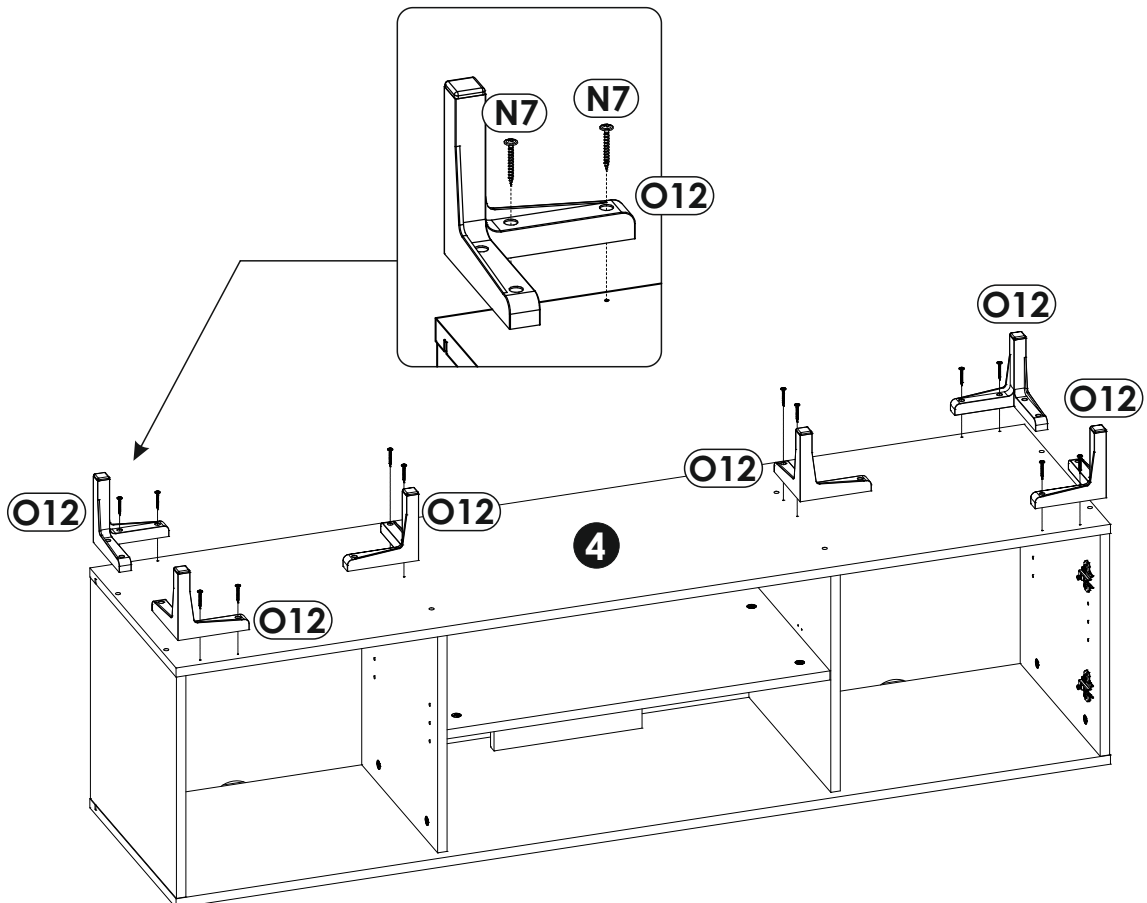
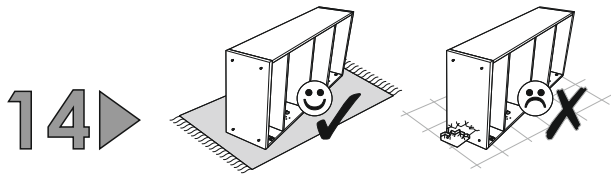
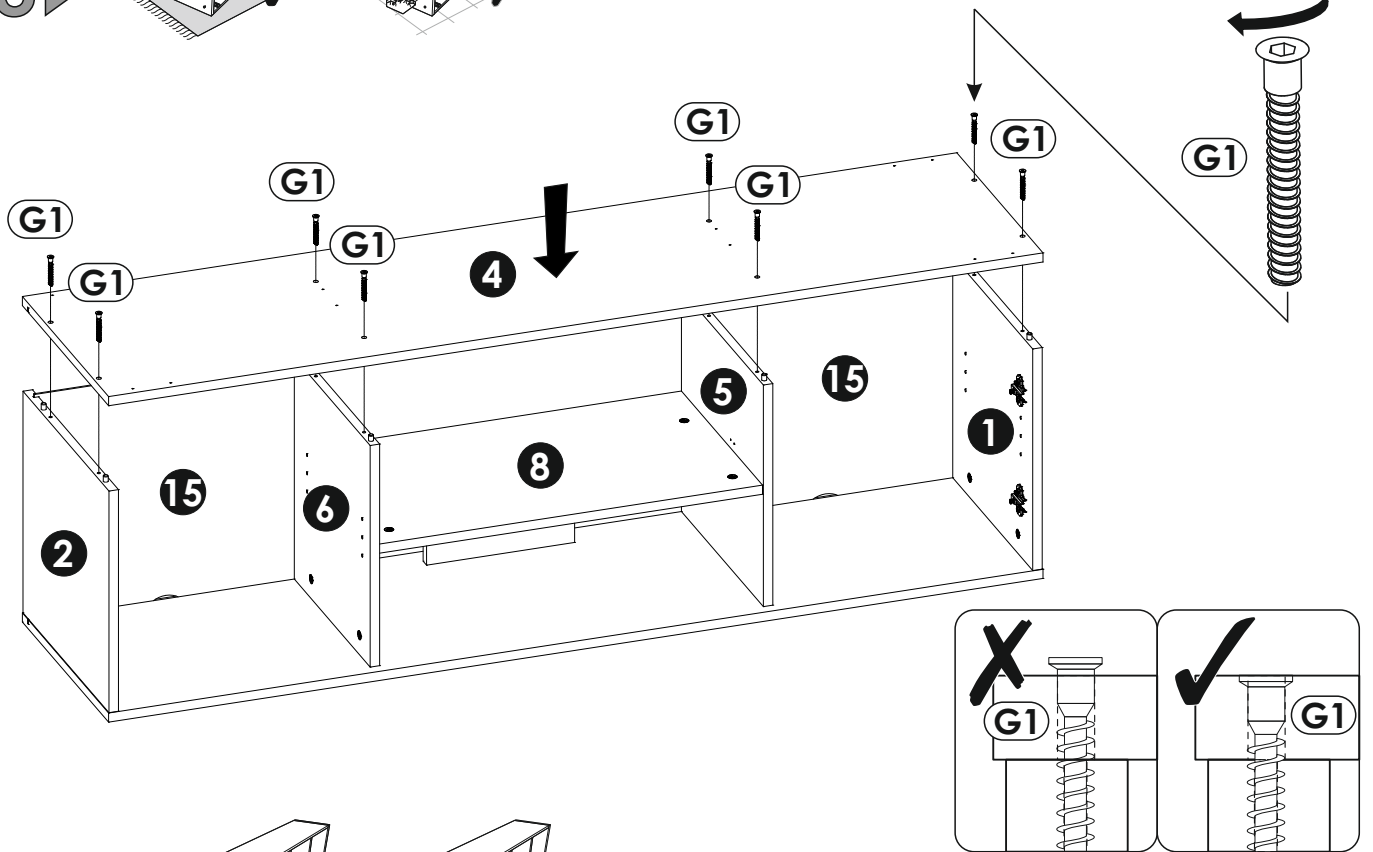
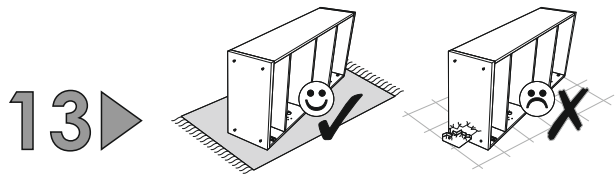


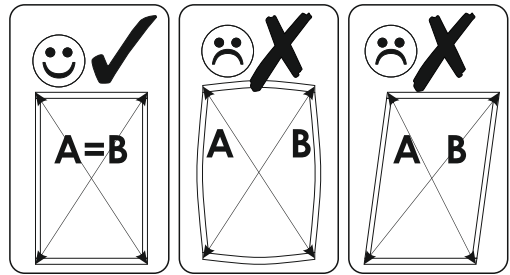
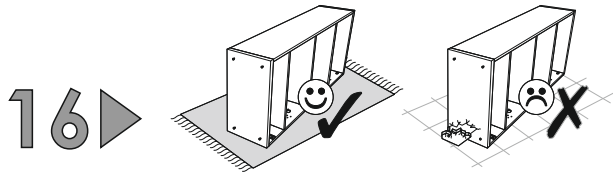
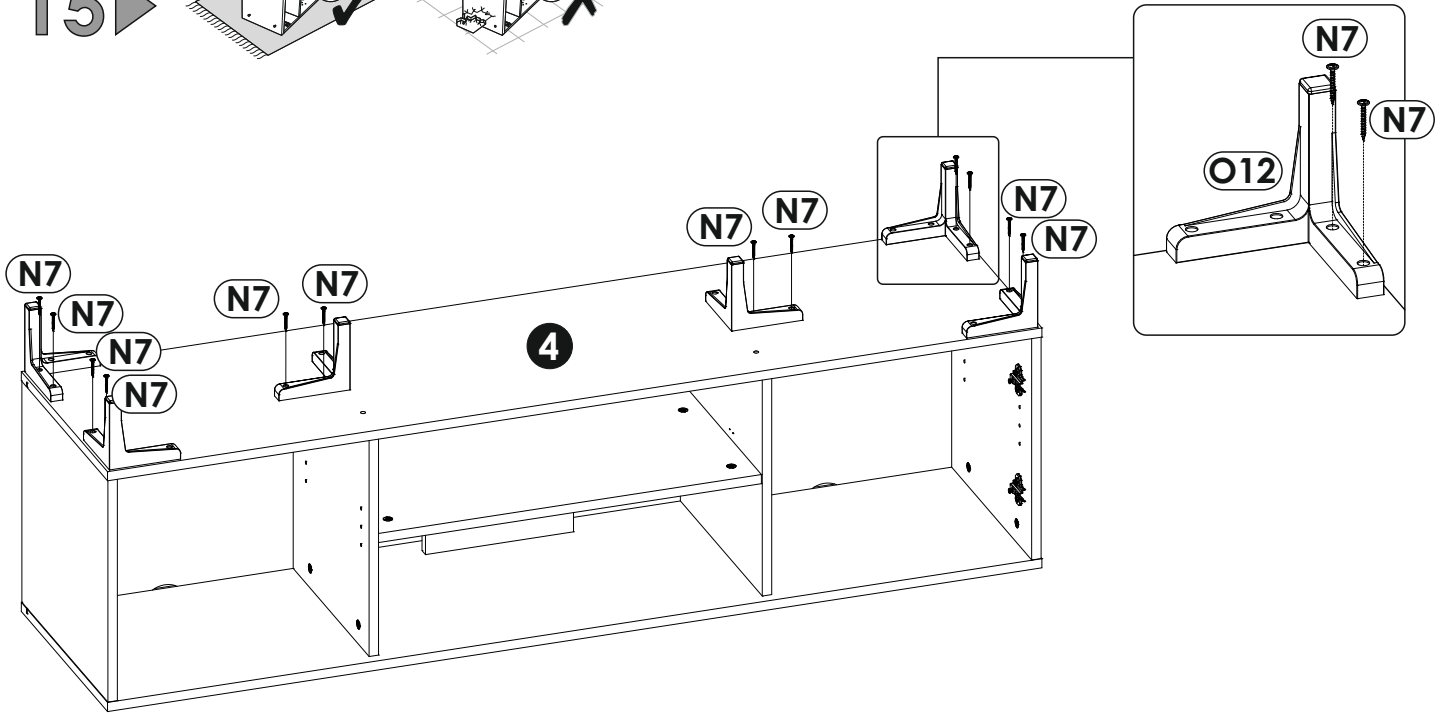
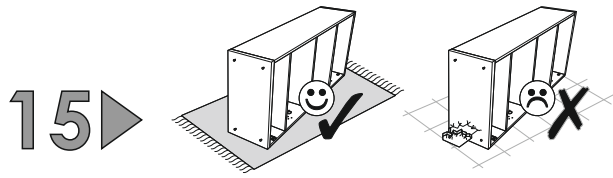
11 ▶



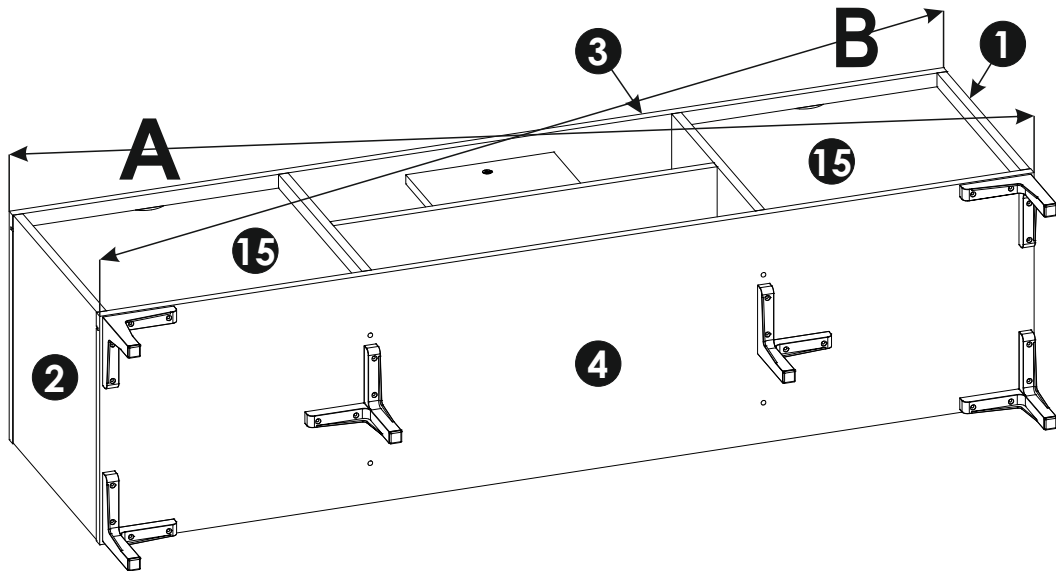
12 ▶



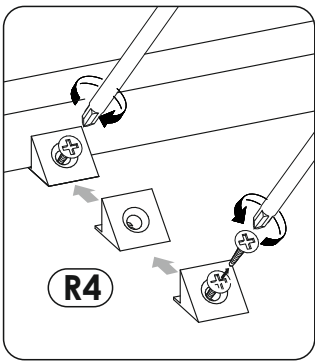
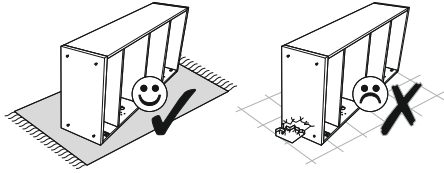




A=B

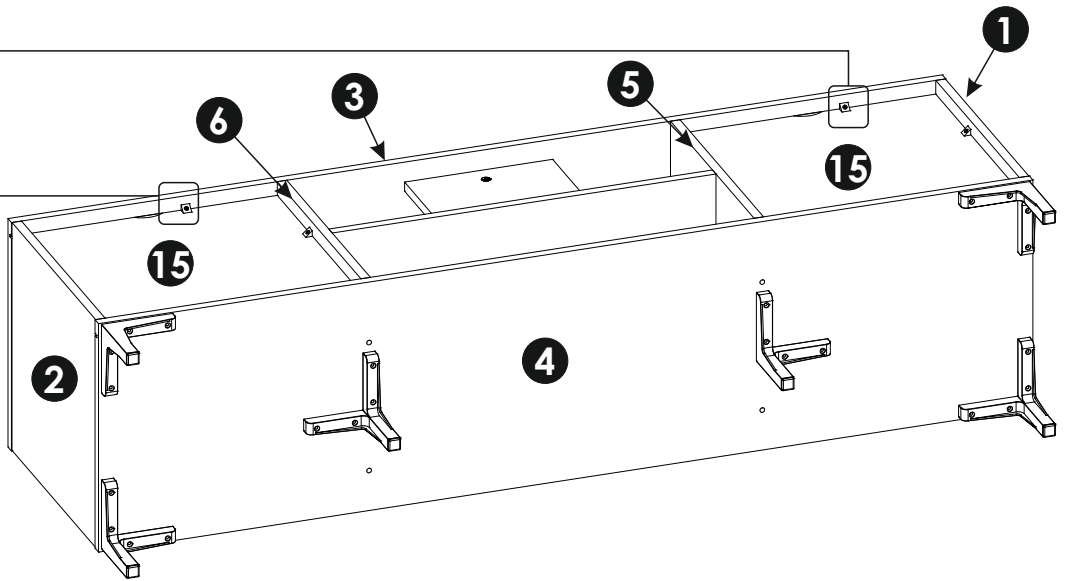


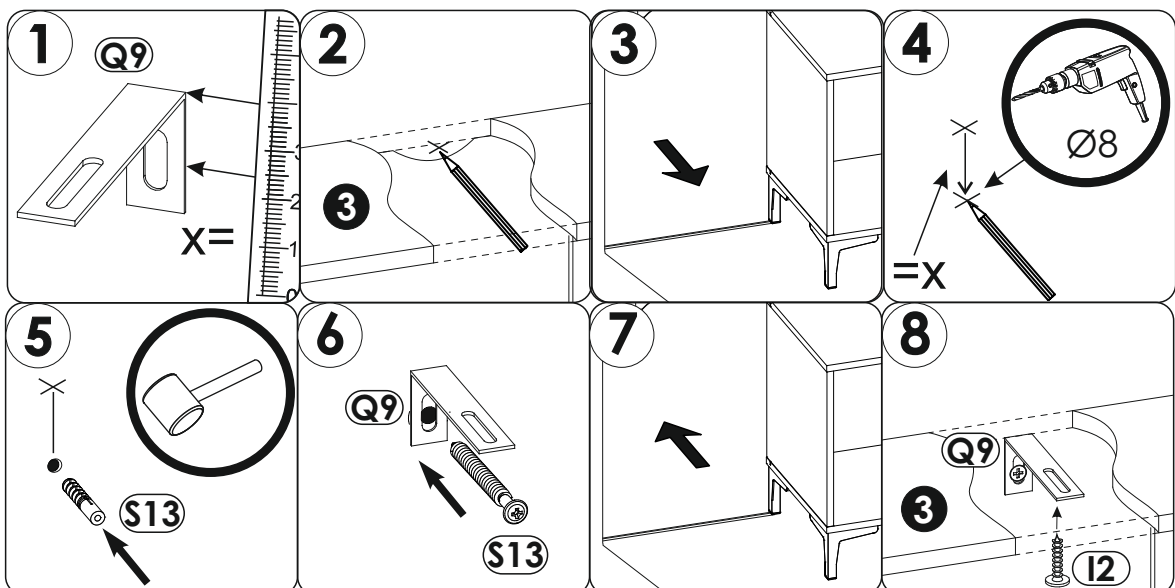
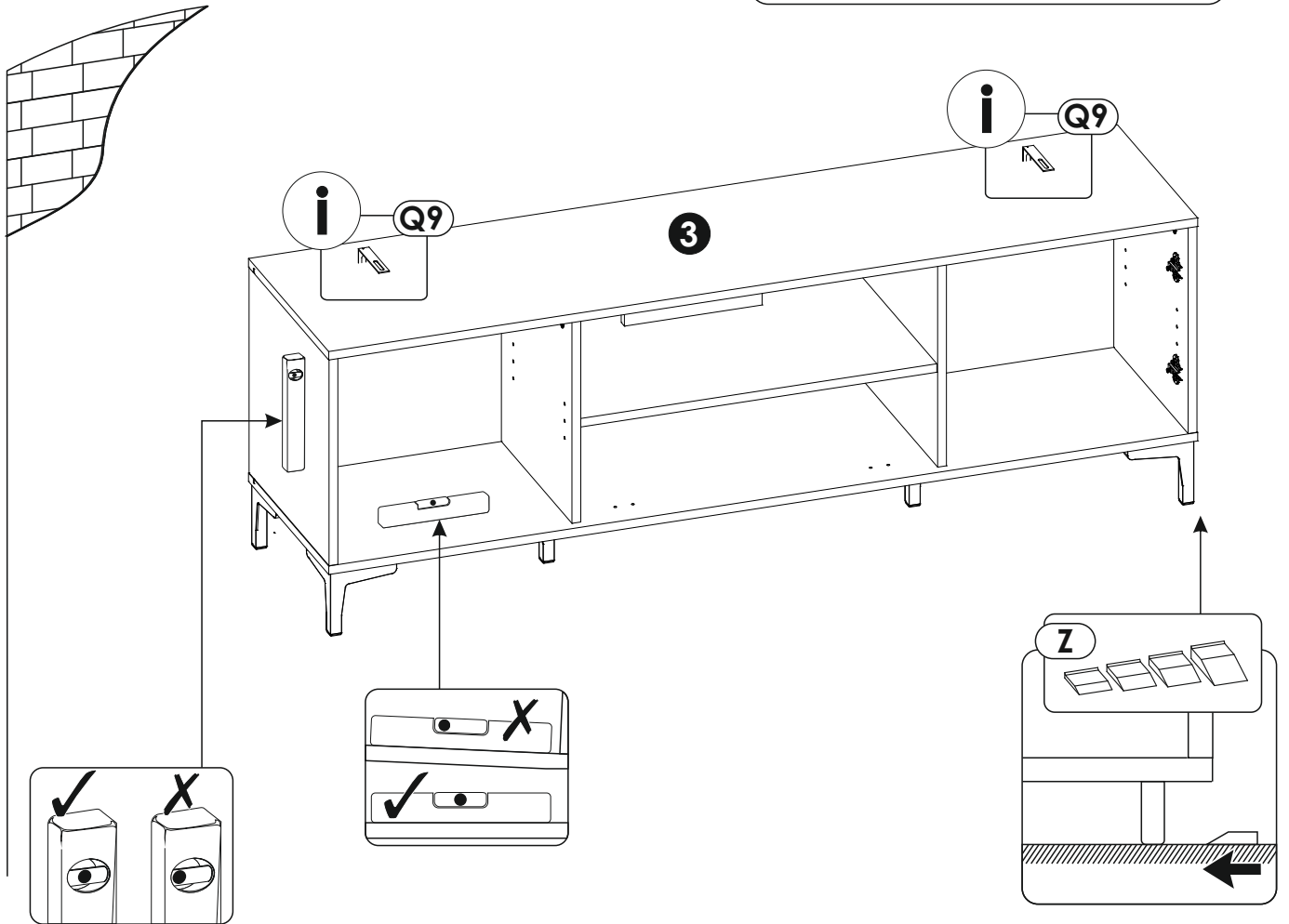
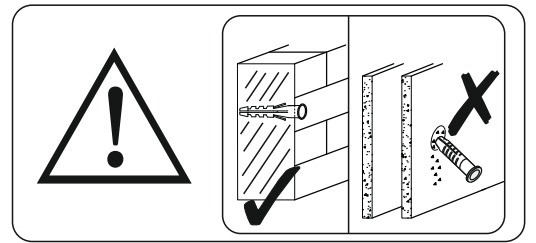
17 ▶



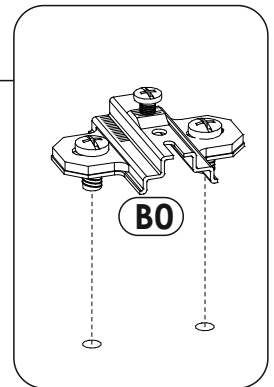
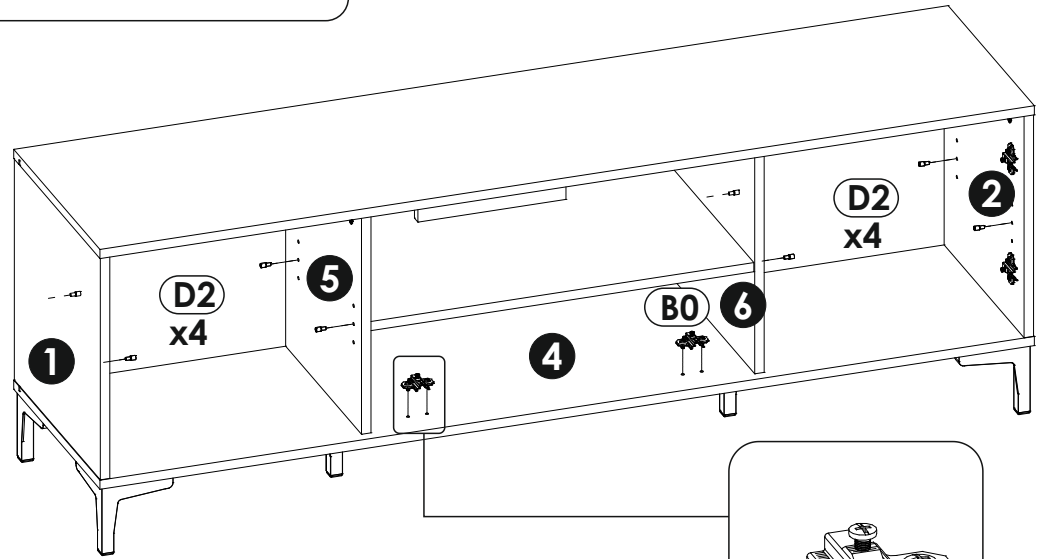
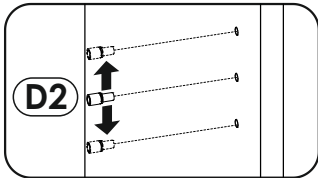
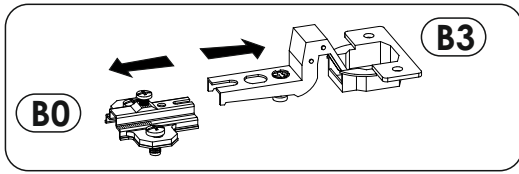
x4

x4

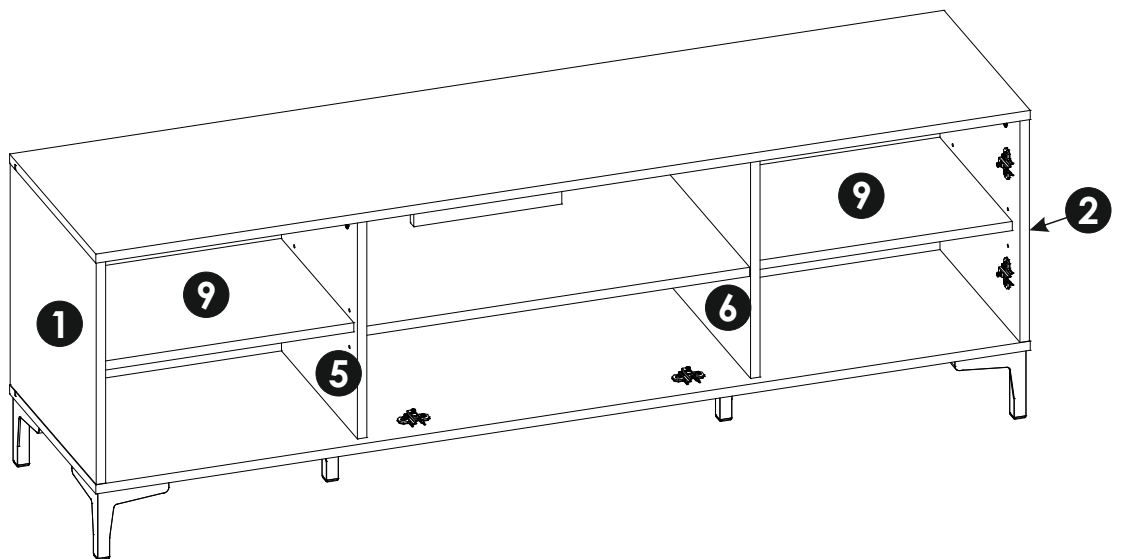
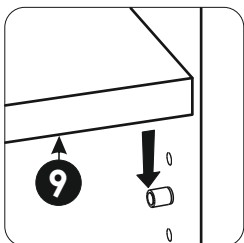




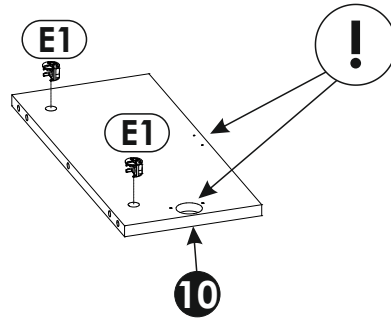
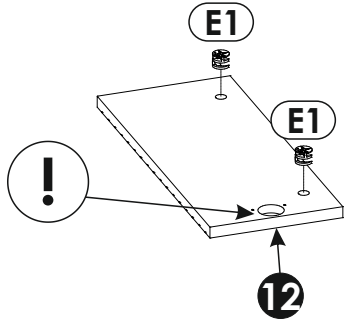
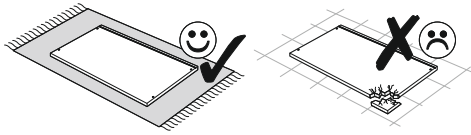
19 ▶



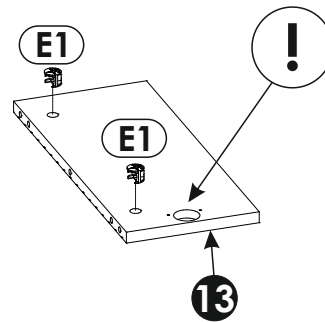
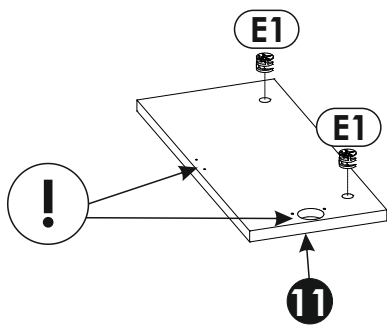
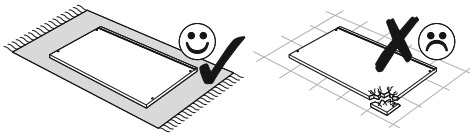
20 ▶



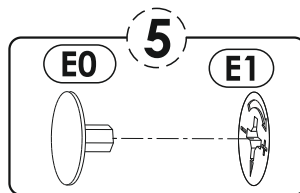
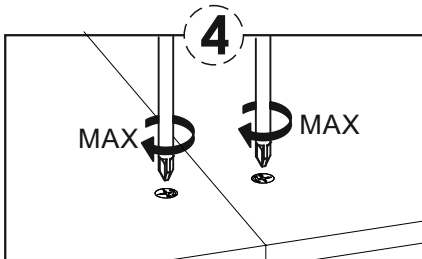
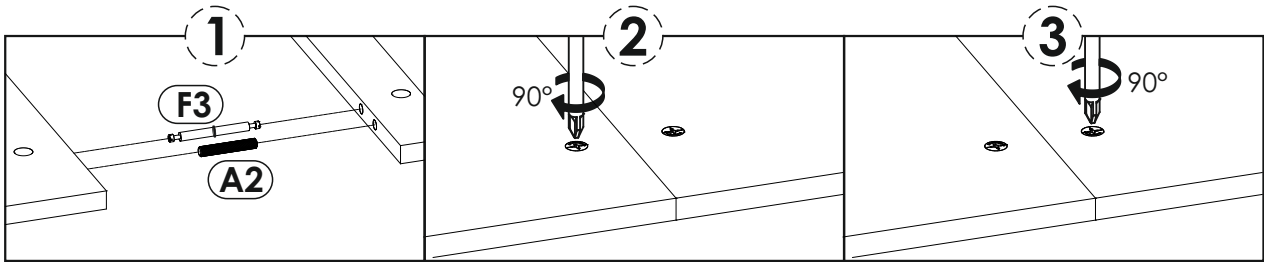
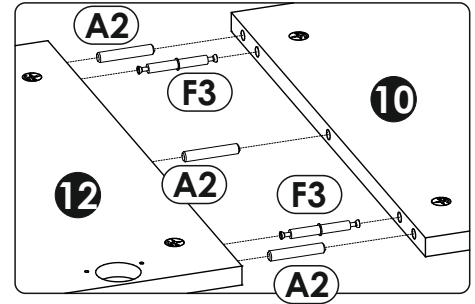
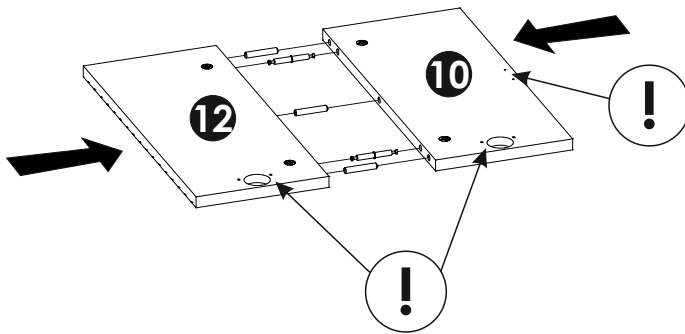
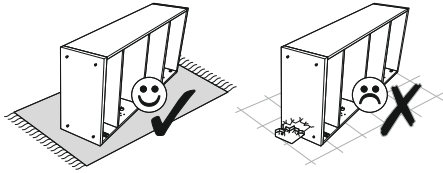
21 ▶

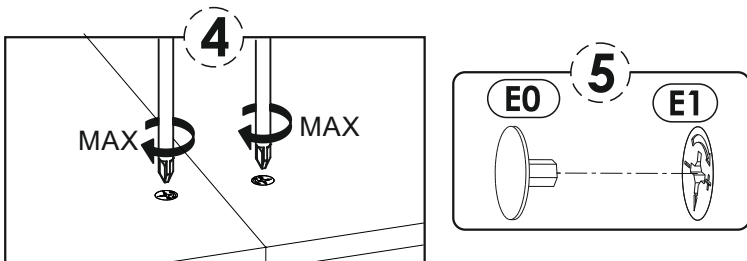
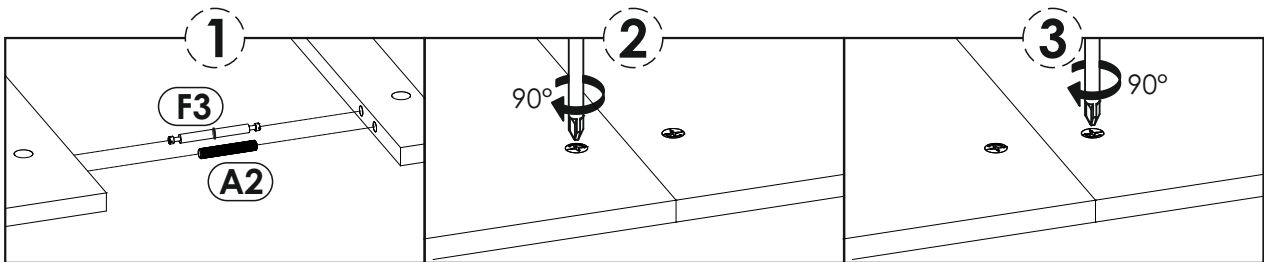
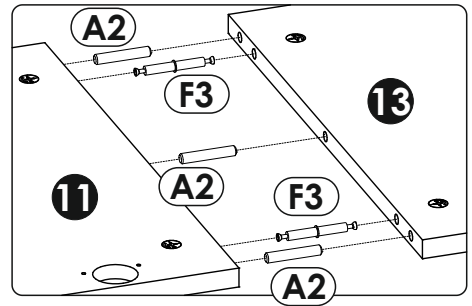
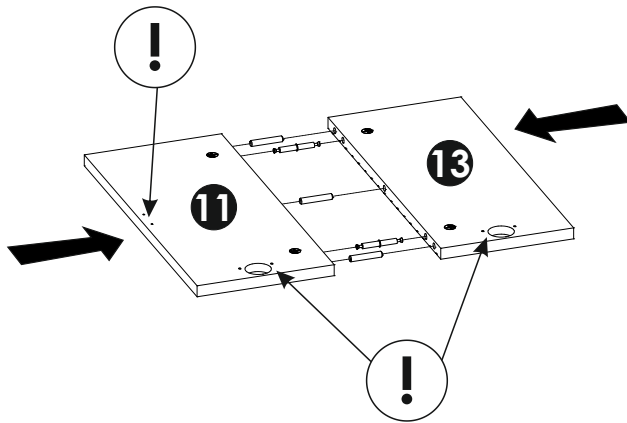
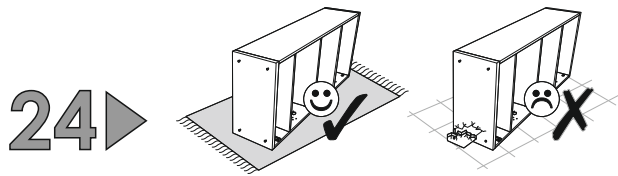


22 ▶

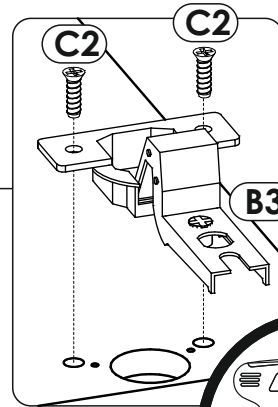
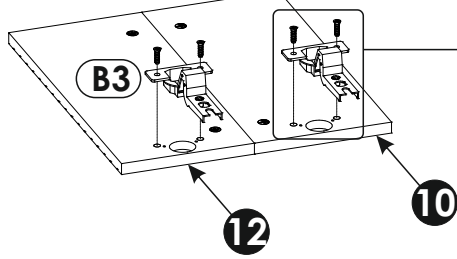
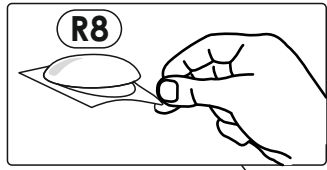
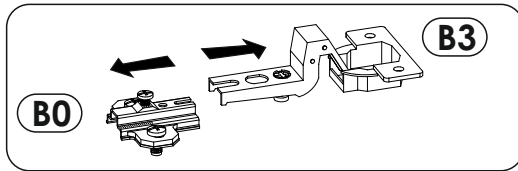
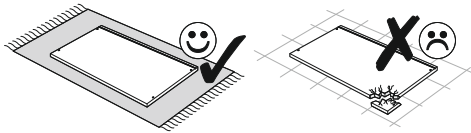


23 ▶

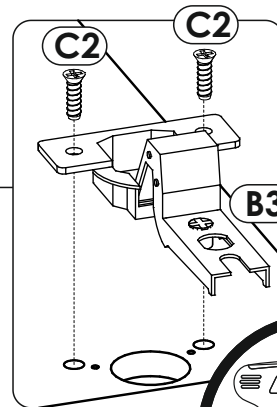
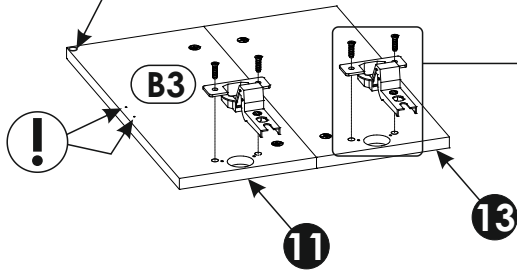
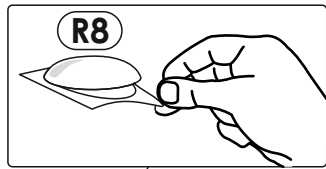
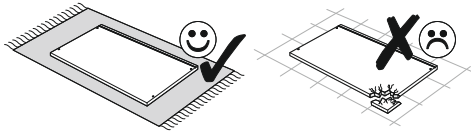




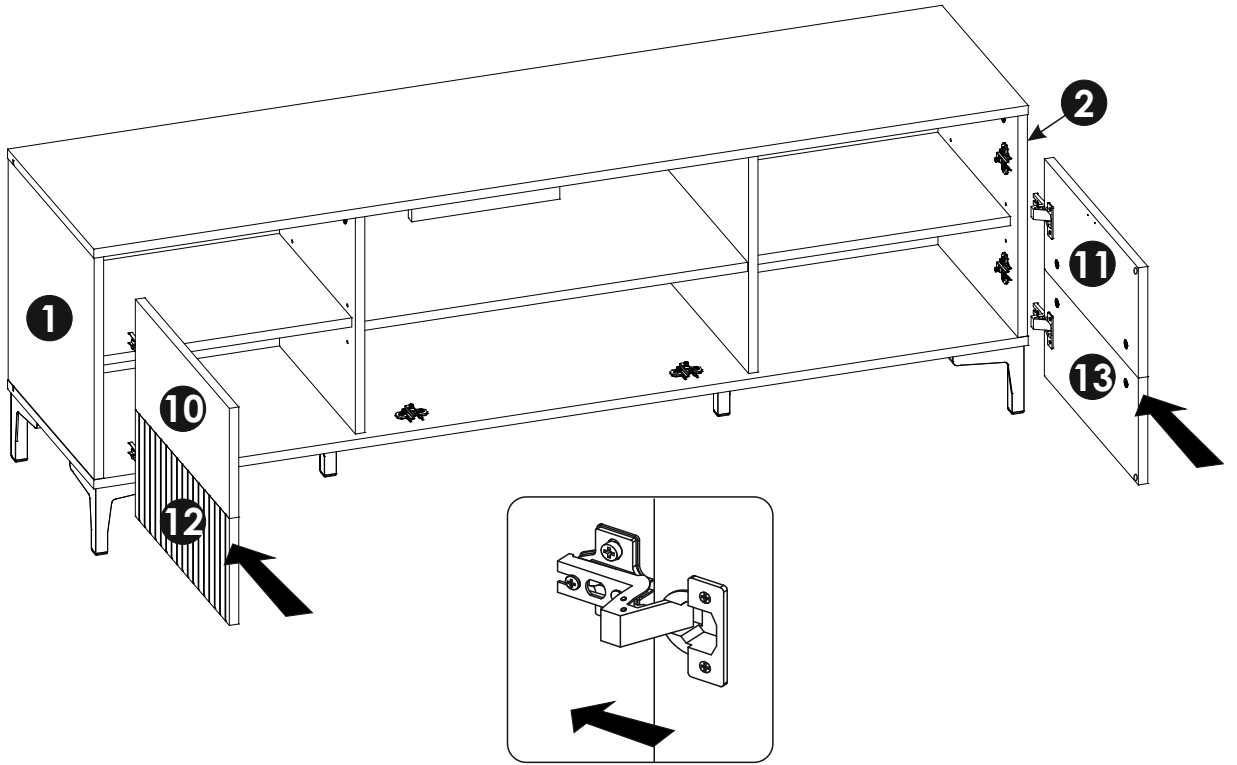
25 ▶



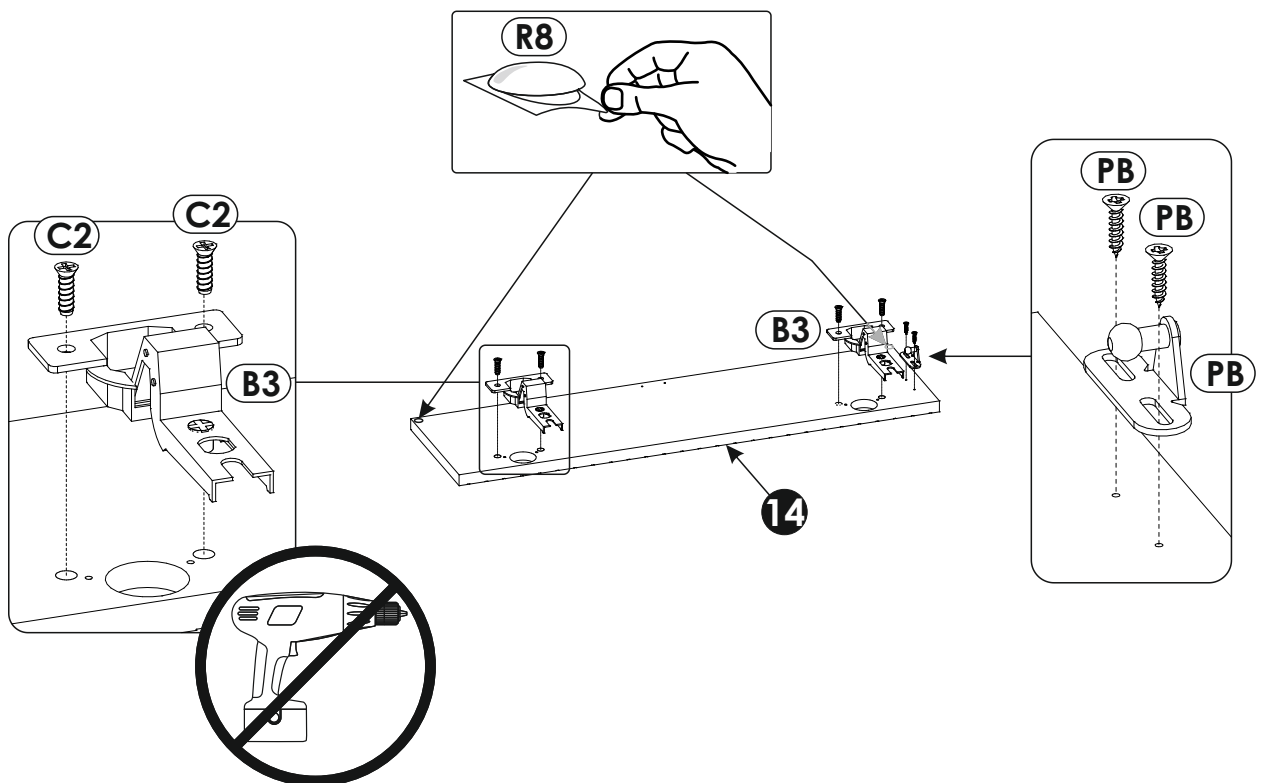
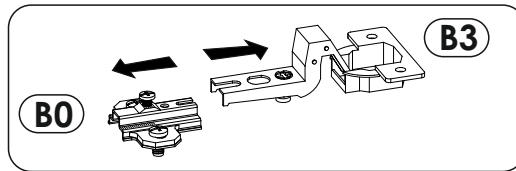
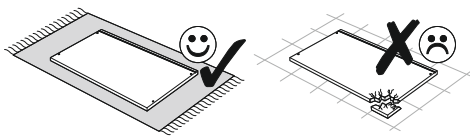
26 ▶



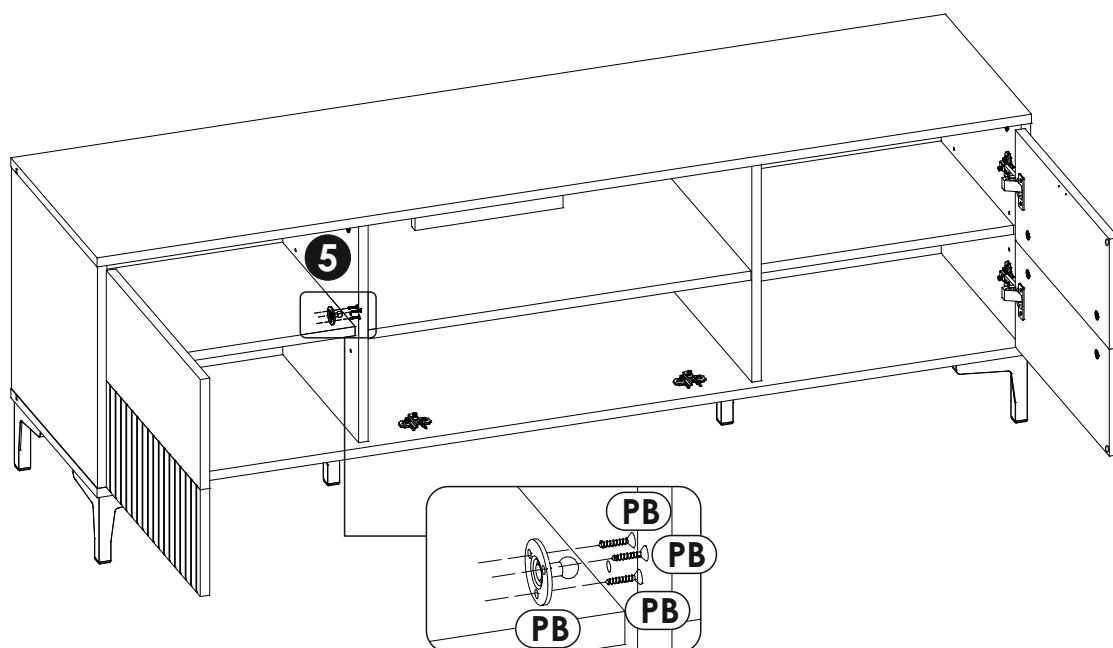
27▶



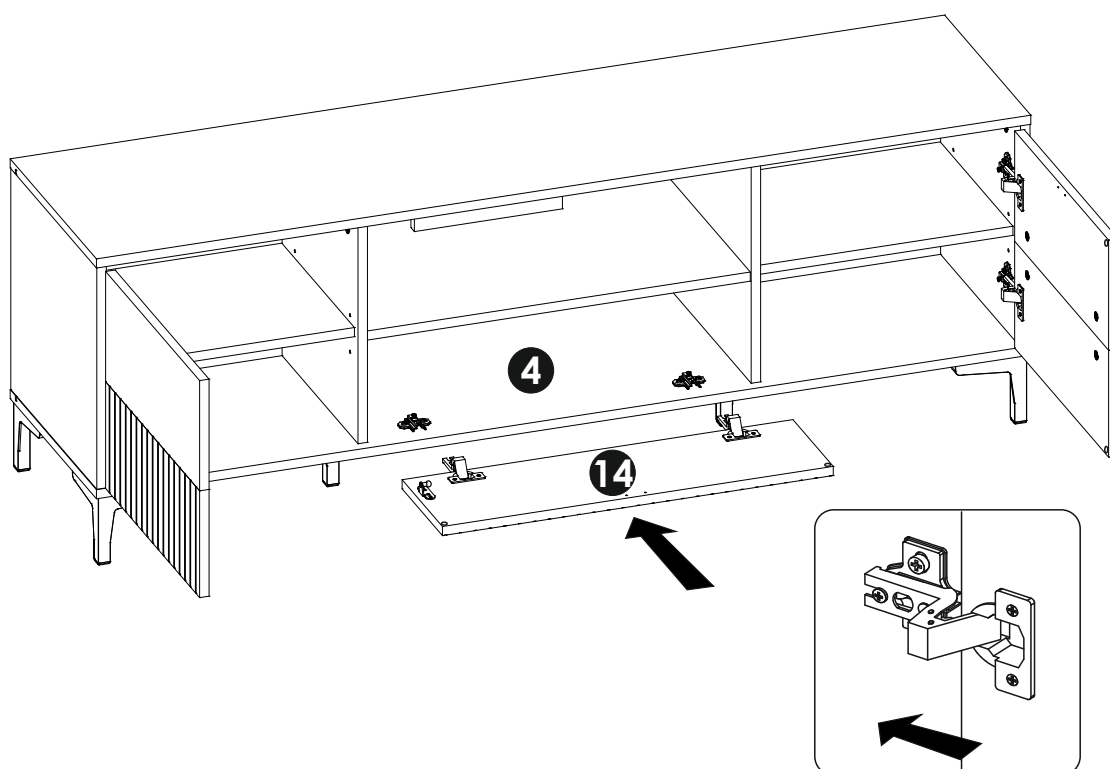
28▶



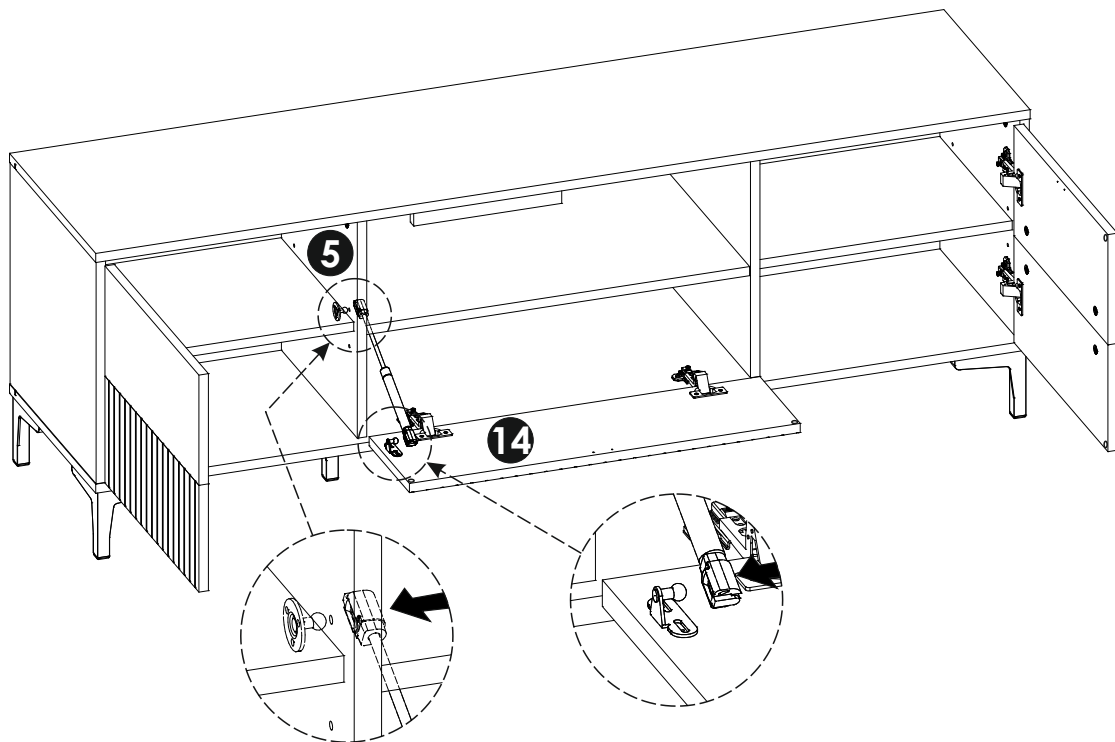
29 ▶▶



30 ▶▶



31 ▶



32 ▶

