

MM

260

250

240

230

220

210

200

190

180

170

160

150

140

130

120

110

100

90

80

70

60

50


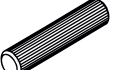
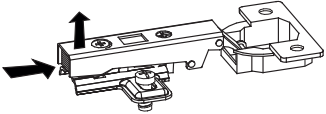

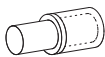


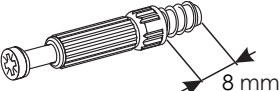
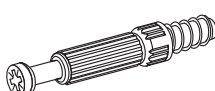

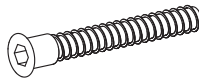
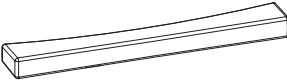
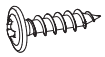

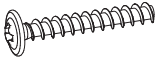
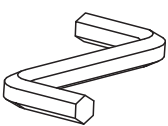




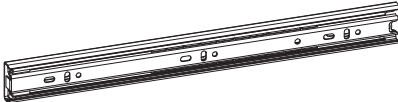
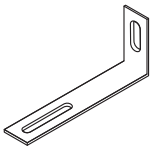
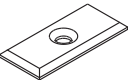
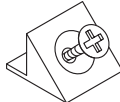
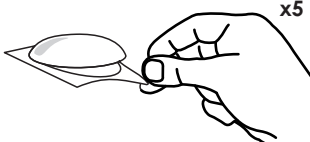
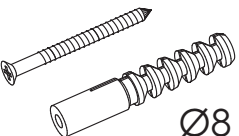
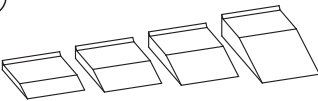
40

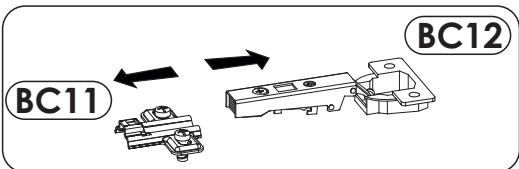
30

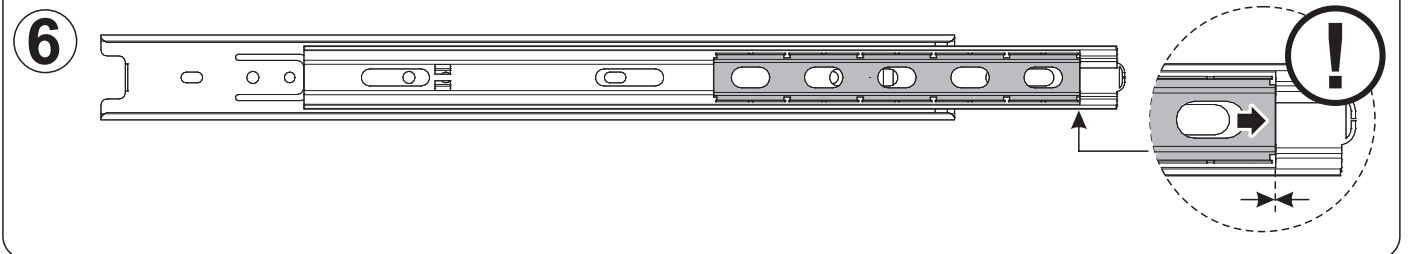
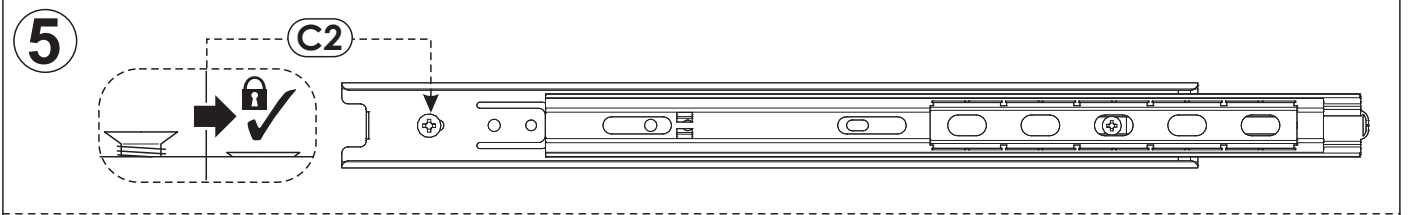
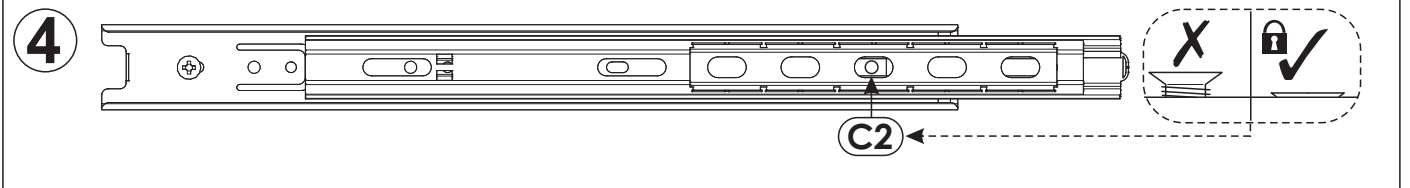
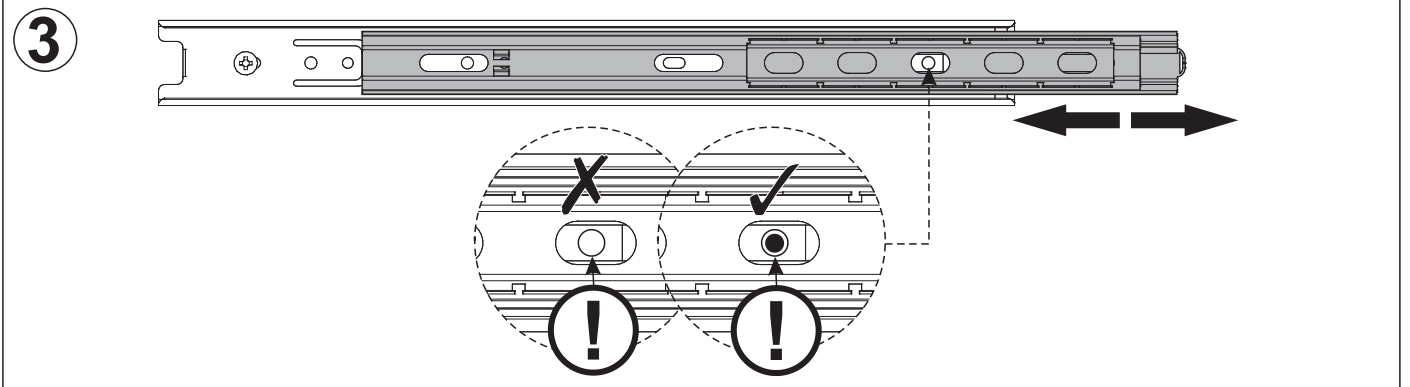
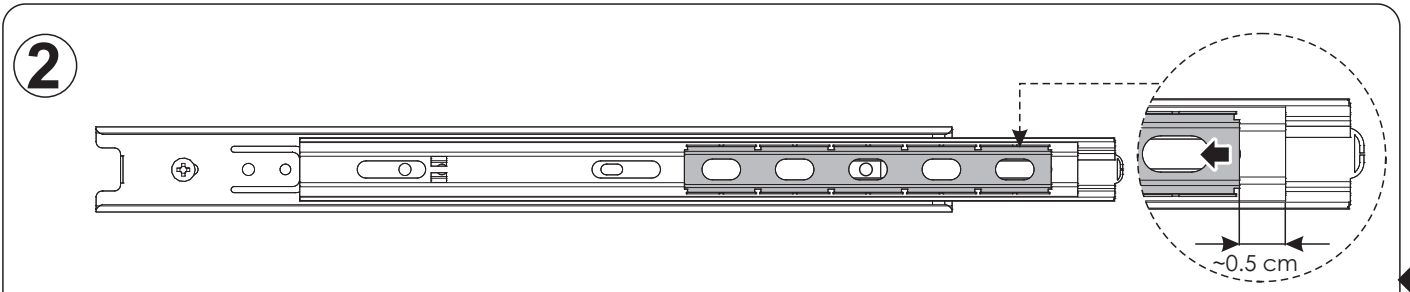
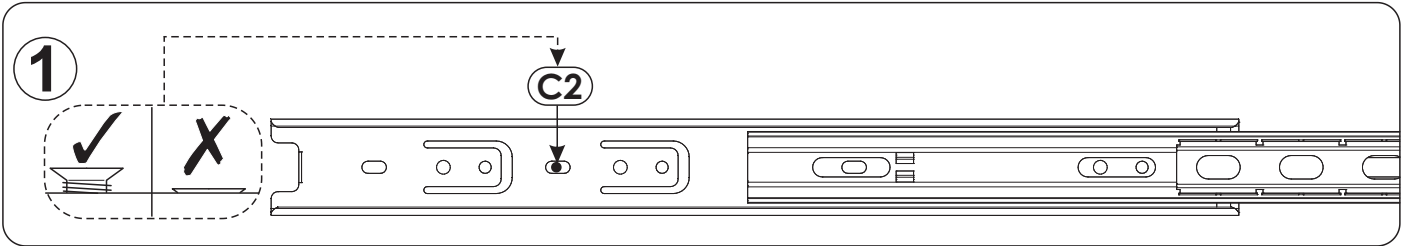
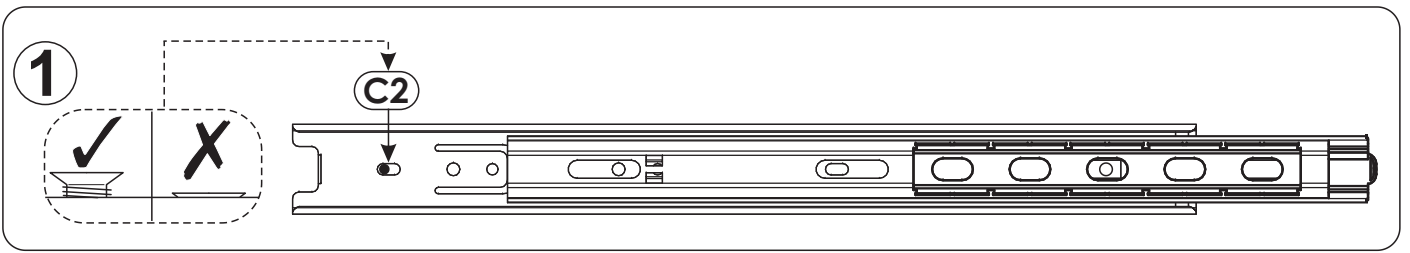
20

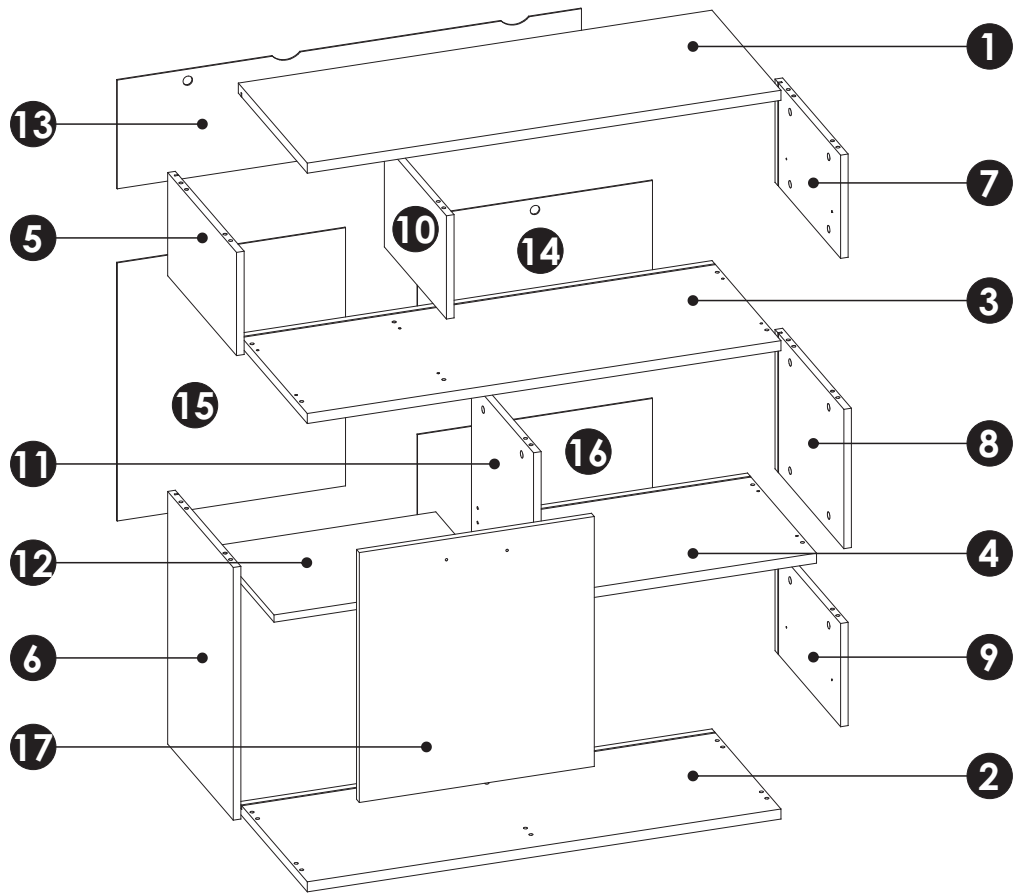
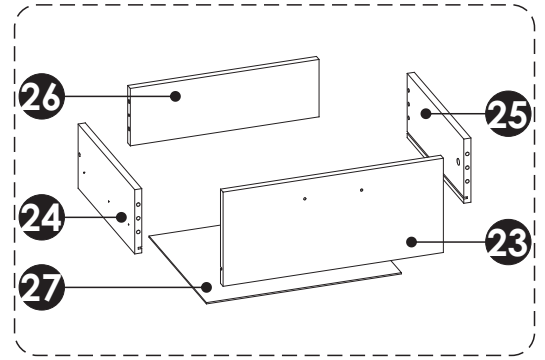
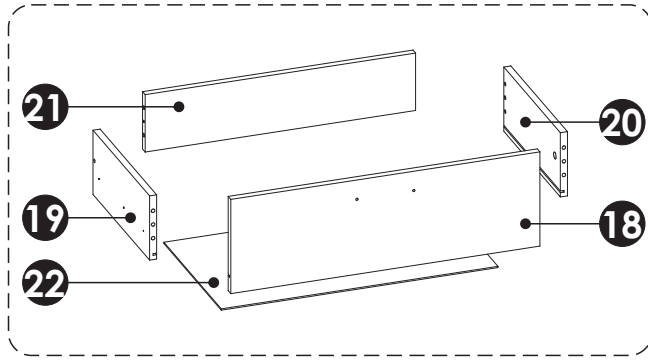
10

0

| | | |
|---|--|--|
| A1 8 x 35 mm x34  | A3 8 x 60 mm x6  | BC11 + BC12 x2  |
| C2 5 x 13 mm x12  | D2 x4  | E0 Ø16 x16  |
| E1 15 x 12 mm x28  | F0 x12 8 mm  | F1 6 x 34 mm x16  |
| G1 7 x 50 mm x4  | G2 7 x 60 mm x6  | H1 L-150 mm x3  |
| I2 4 x 16 mm x2  | I3 3,5 x 22 mm x5  | I12 4 x 27 mm x6  |
| M x1  | N1 3 x 16 mm x15  | N5 3,5 x 16 mm x12  |
| O1 x5  | P15 x2  | PW L - 350 mm x4  |
| Q9 x2  | R1 x3  | R4 x17  |
| R8 x5  | S13 x2 Ø8  | Z x1  |



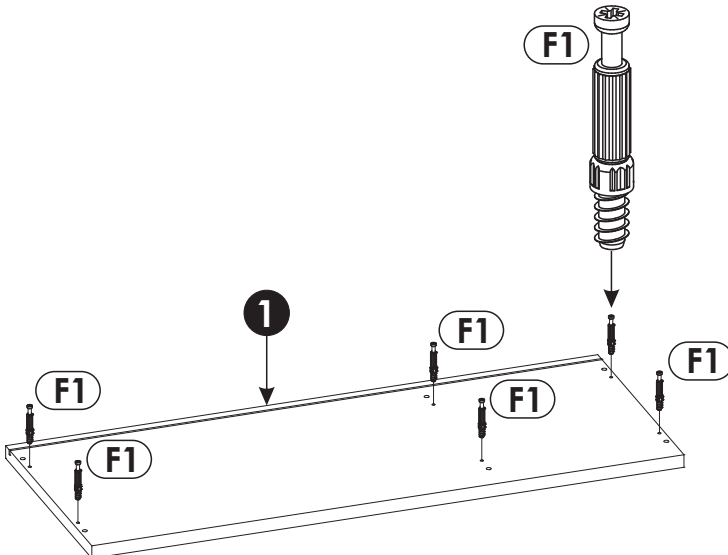
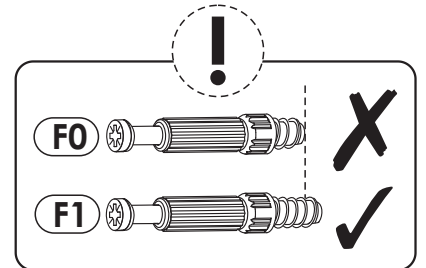
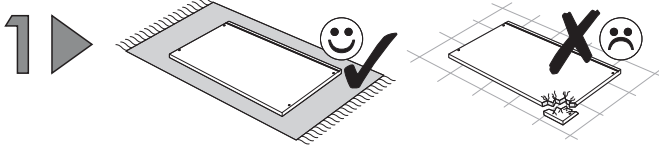
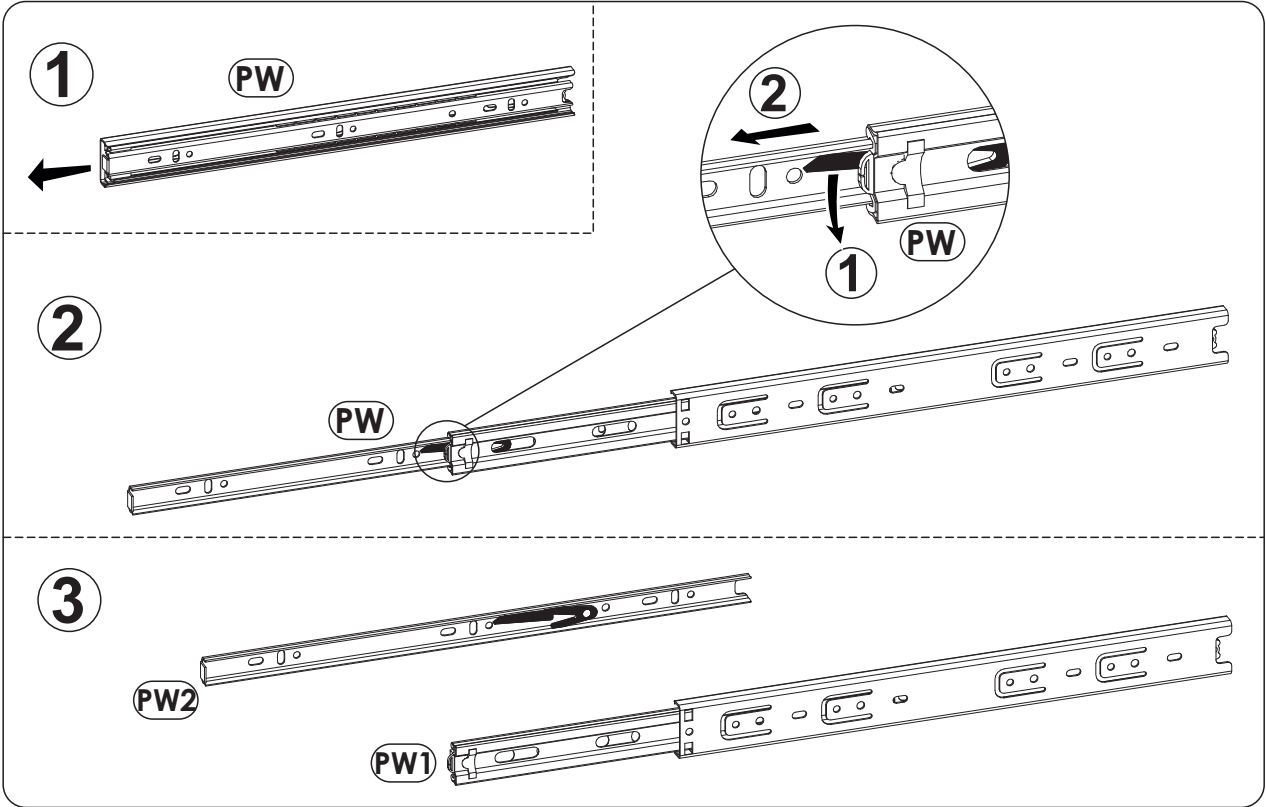
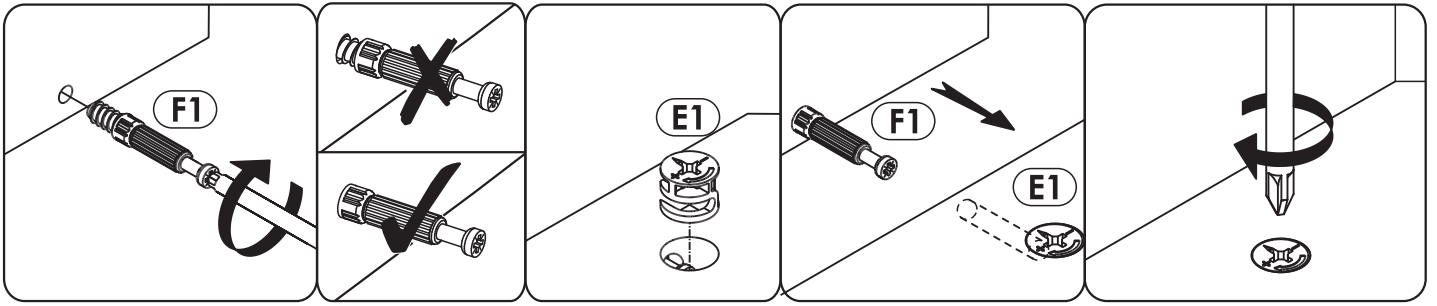


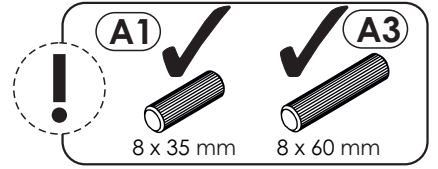
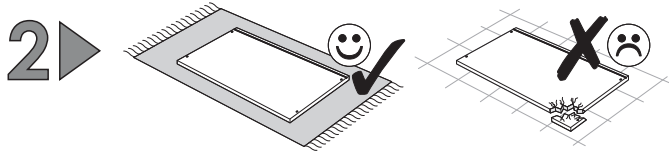


| | | | | | |
|----------|------|-----|----|----|-----|
| 1 | 1000 | 400 | 22 | x1 | 2/2 |
| 2 | 1000 | 400 | 22 | x1 | 1/2 |
| 3 | 1000 | 400 | 22 | x1 | 2/2 |
| 4 | 499 | 400 | 22 | x1 | 1/2 |
| 5 | 226 | 399 | 16 | x1 | 1/2 |
| 6 | 553 | 380 | 16 | x1 | 1/2 |
| 7 | 226 | 380 | 16 | x1 | 1/2 |
| 8 | 305 | 399 | 16 | x1 | 1/2 |
| 9 | 226 | 380 | 16 | x1 | 1/2 |

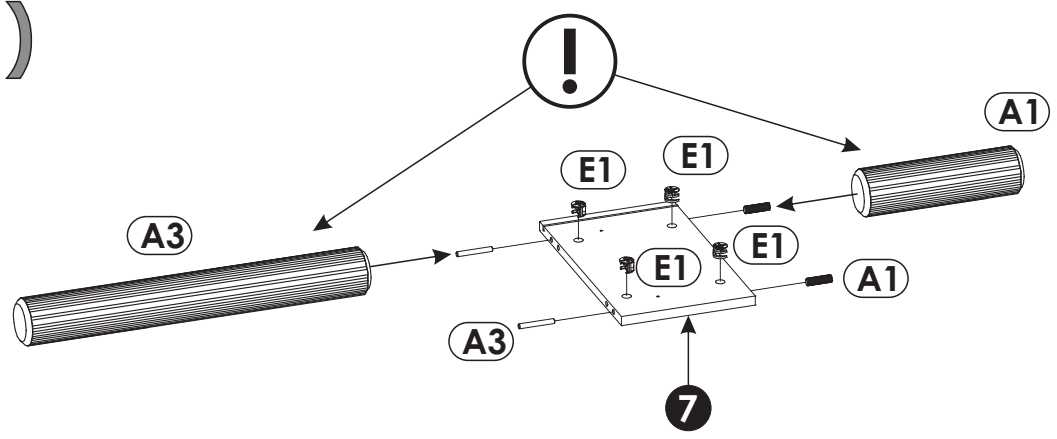
| | | | | | |
|-----------|-----|-----|----|----|-----|
| 10 | 226 | 360 | 16 | x1 | 1/2 |
| 11 | 553 | 360 | 16 | x1 | 1/2 |
| 12 | 467 | 345 | 16 | x1 | 2/2 |
| 13 | 238 | 980 | 3 | x1 | 2/2 |
| 14 | 315 | 496 | 3 | x1 | 2/2 |
| 15 | 565 | 482 | 3 | x1 | 2/2 |
| 16 | 238 | 496 | 3 | x1 | 2/2 |
| 17 | 496 | 547 | 16 | x1 | 2/2 |
| 18 | 696 | 220 | 16 | x1 | 1/2 |

| | | | | | |
|-----------|-----|-----|----|----|-----|
| 19 | 350 | 150 | 16 | x1 | 2/2 |
| 20 | 350 | 150 | 16 | x1 | 2/2 |
| 21 | 609 | 134 | 16 | x1 | 1/2 |
| 22 | 623 | 355 | 3 | x1 | 2/2 |
| 23 | 496 | 220 | 16 | x1 | 2/2 |
| 24 | 350 | 150 | 16 | x1 | 2/2 |
| 25 | 350 | 150 | 16 | x1 | 2/2 |
| 26 | 425 | 134 | 16 | x1 | 2/2 |
| 27 | 439 | 355 | 3 | x1 | 2/2 |

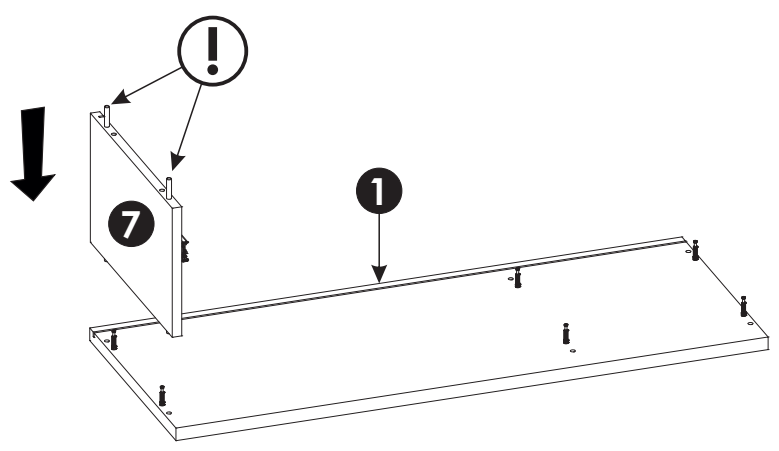
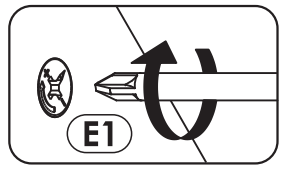
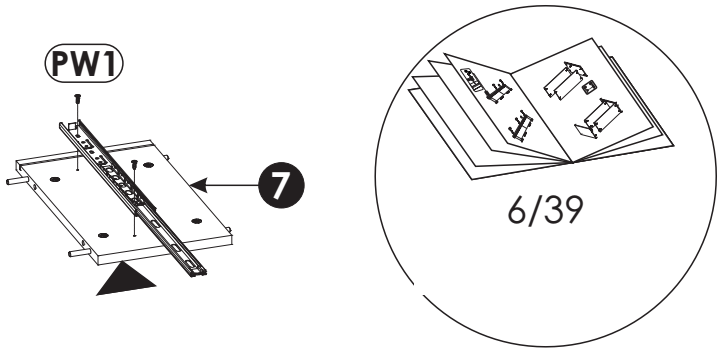




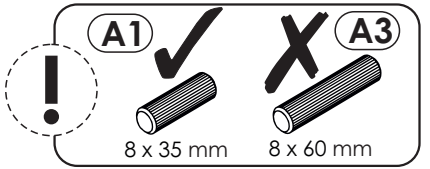
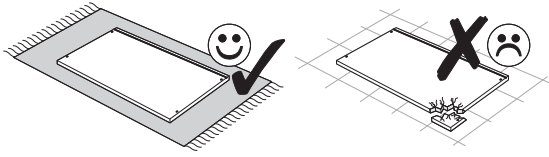
a)



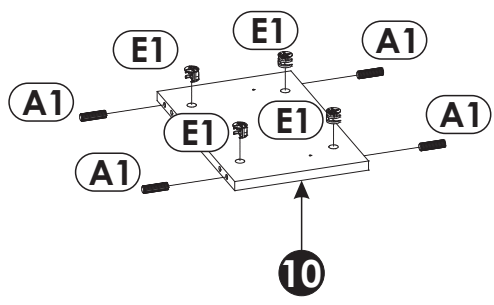
b)



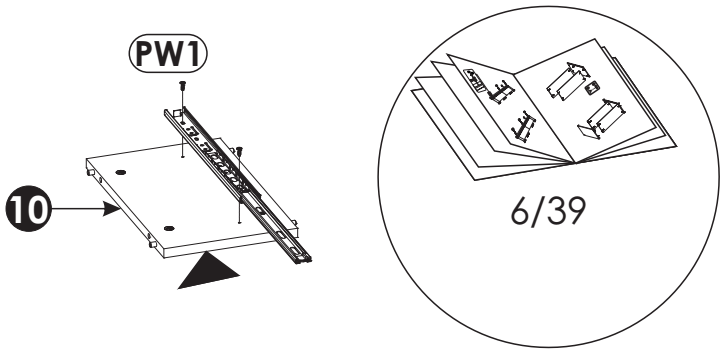
4 ▶▶



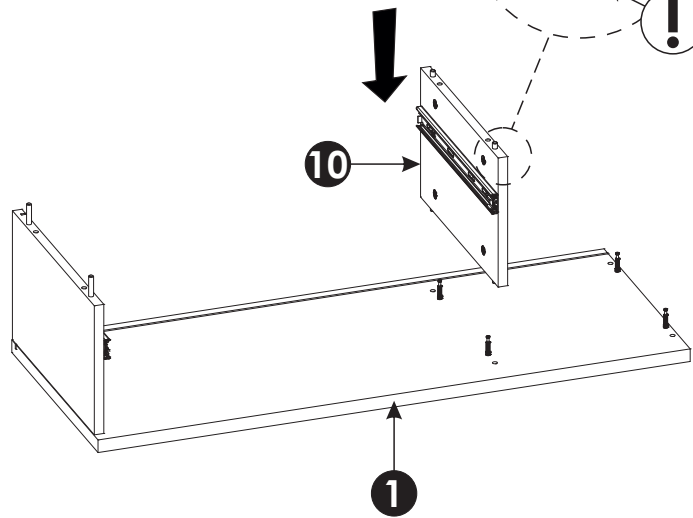
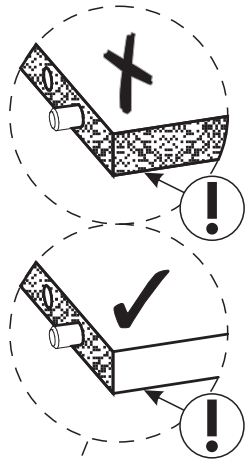
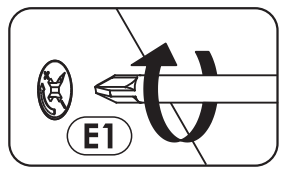
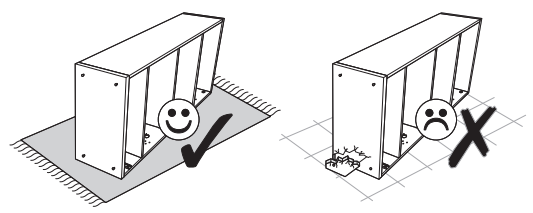
a)

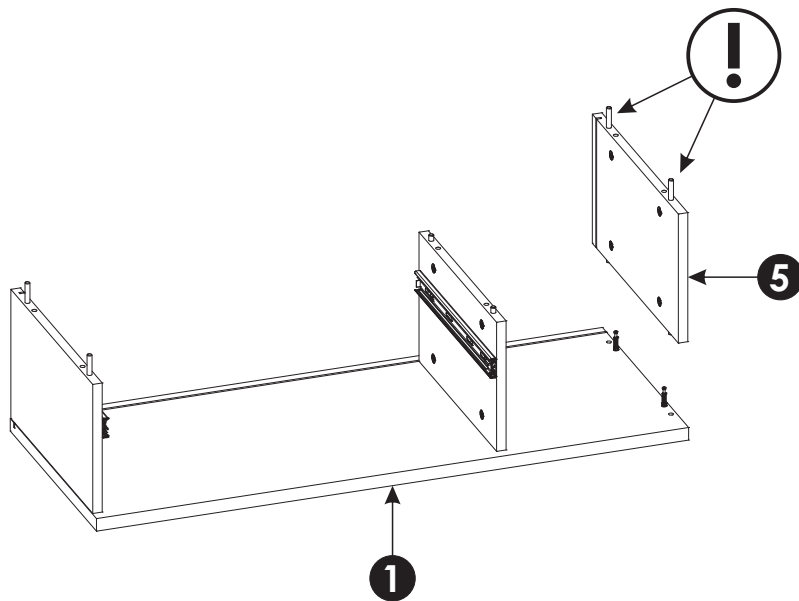
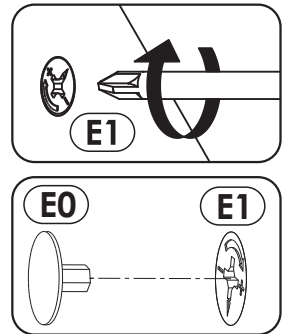
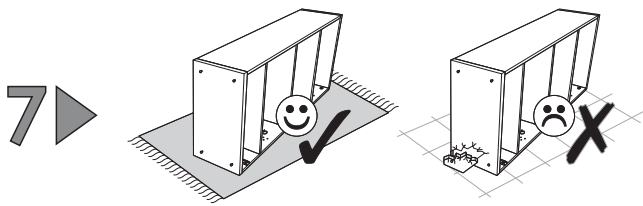
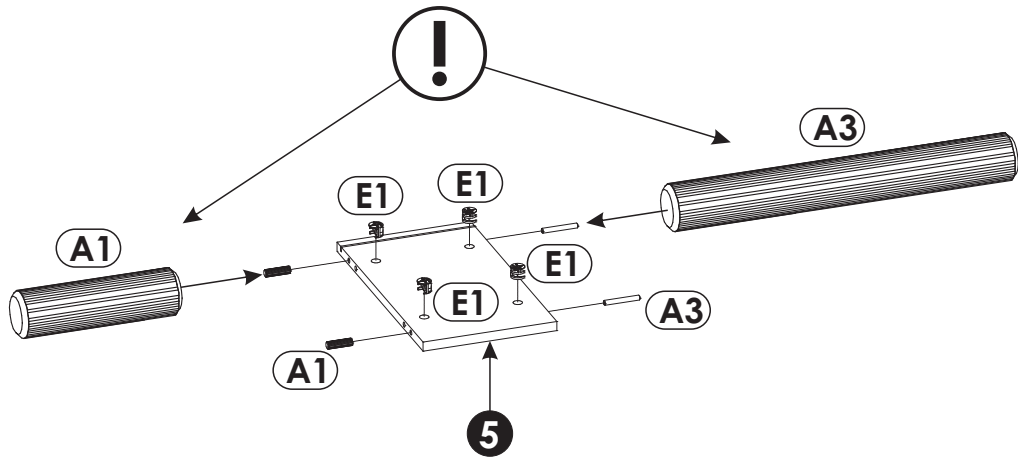
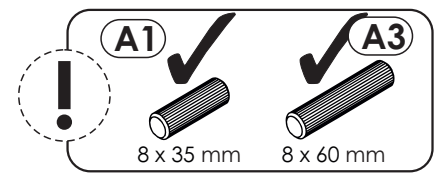
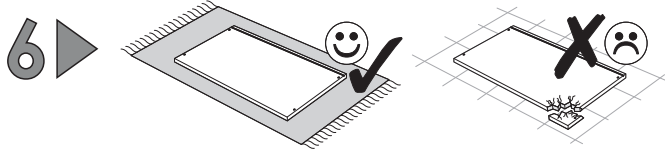


b)

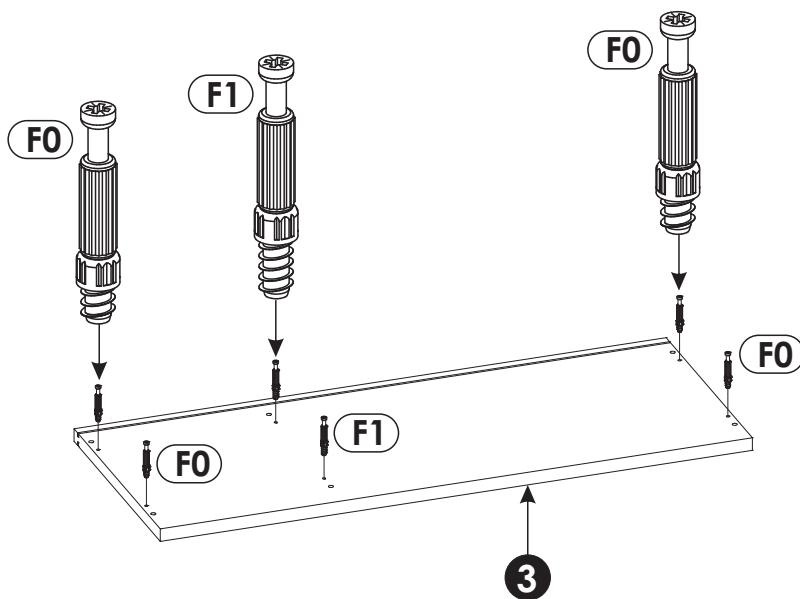
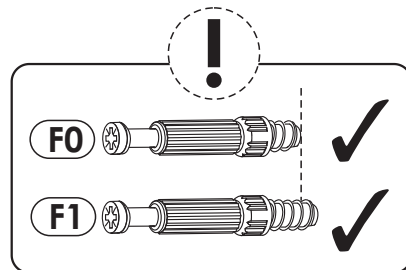
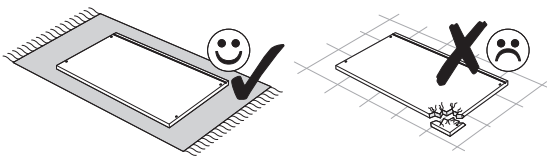


5 ▶▶

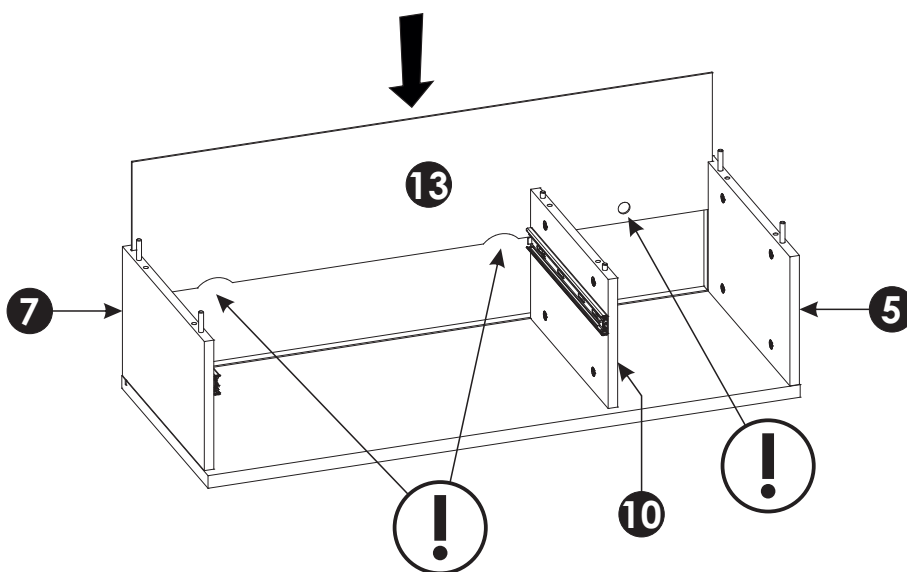
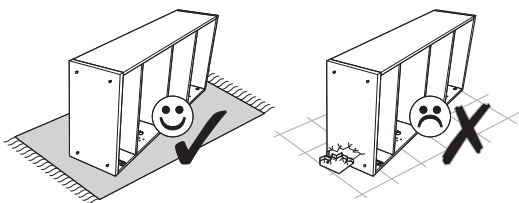




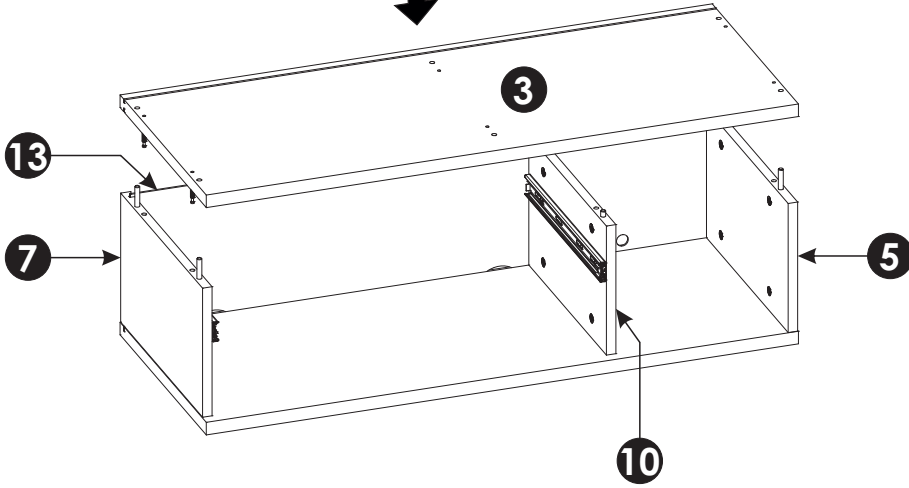
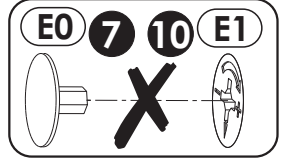
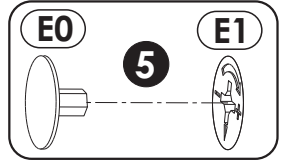
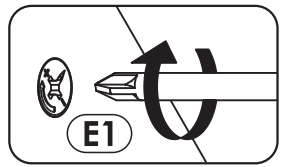
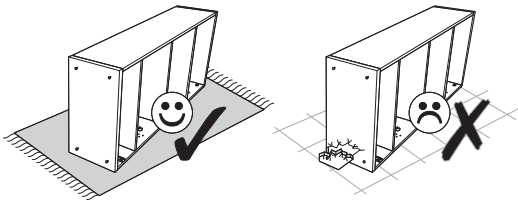
8 ▶



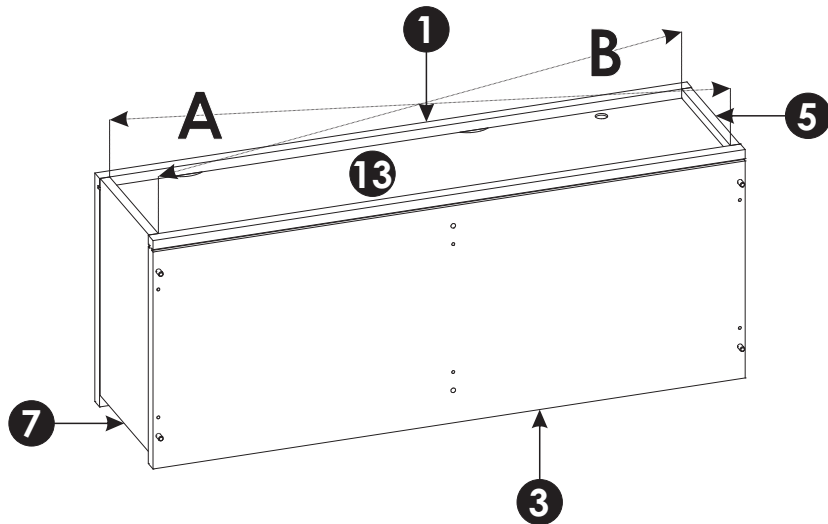
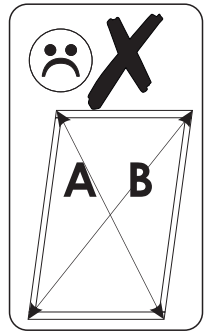
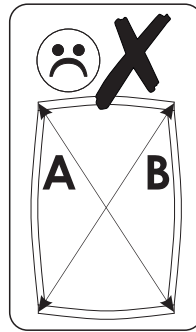
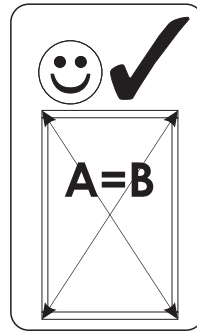
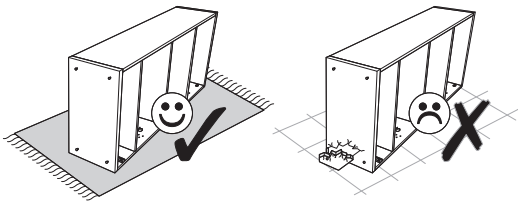
9 ▶



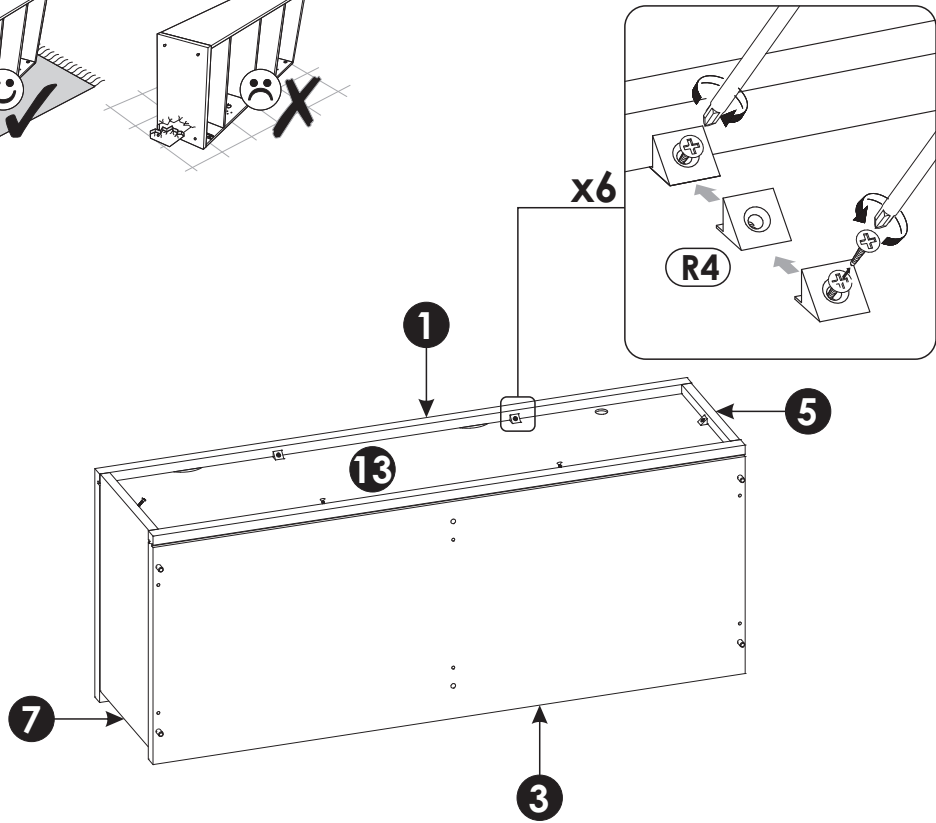
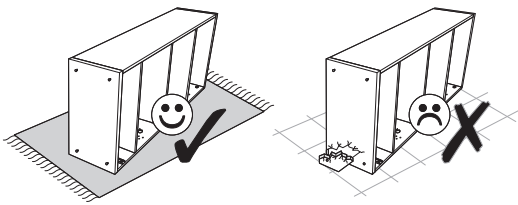
10 ▶



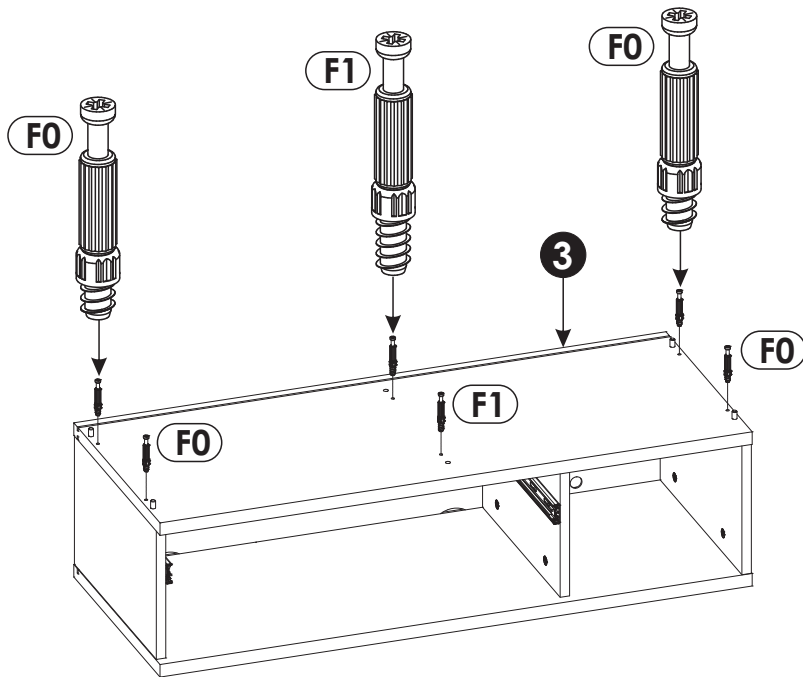
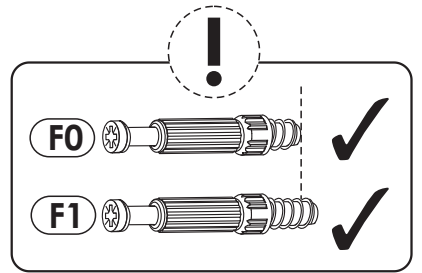
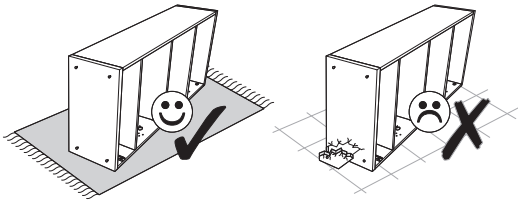
11 ▶



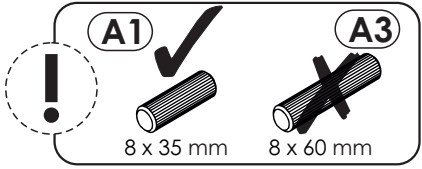
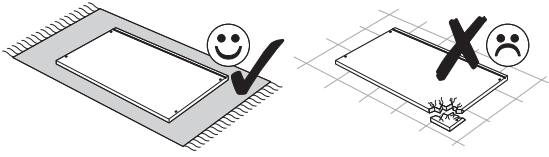
12▶



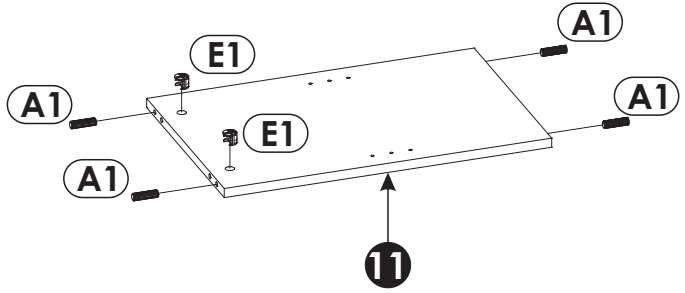
13▶



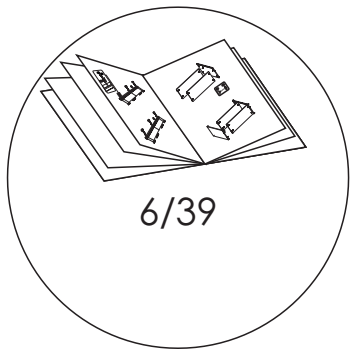
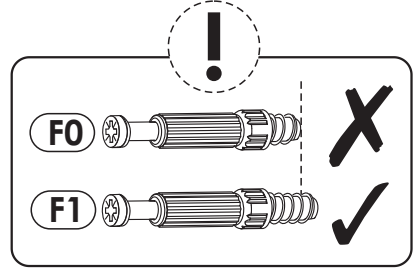
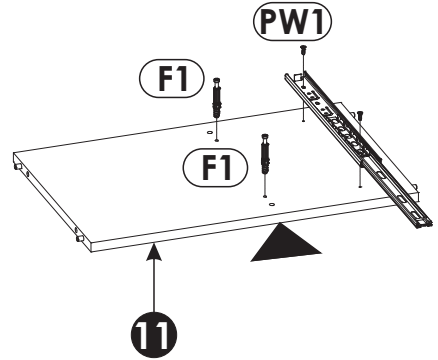
14▶



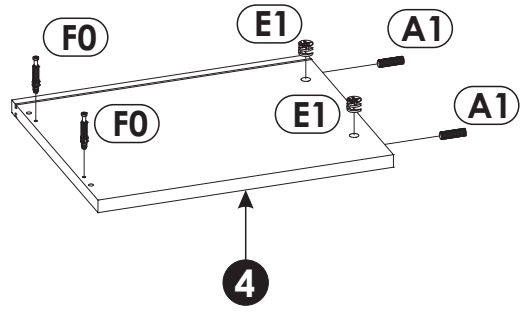
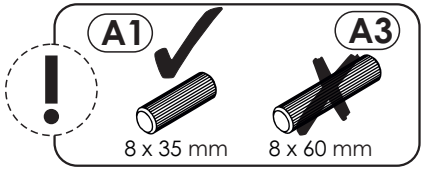
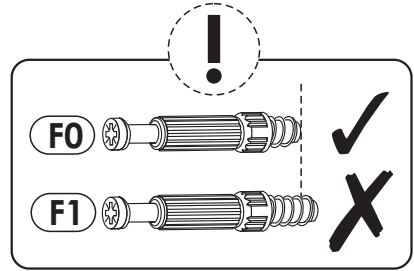
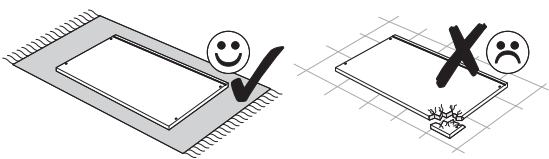
a)



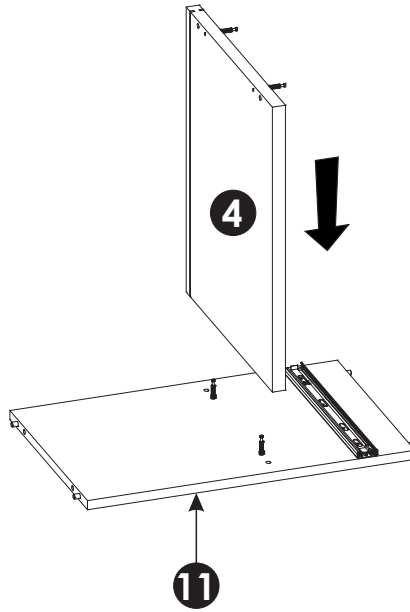
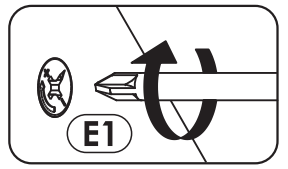
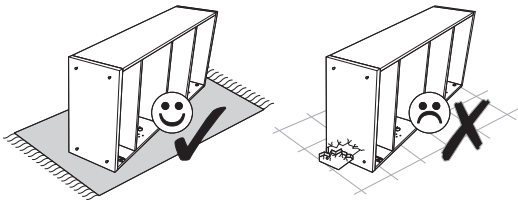
b)



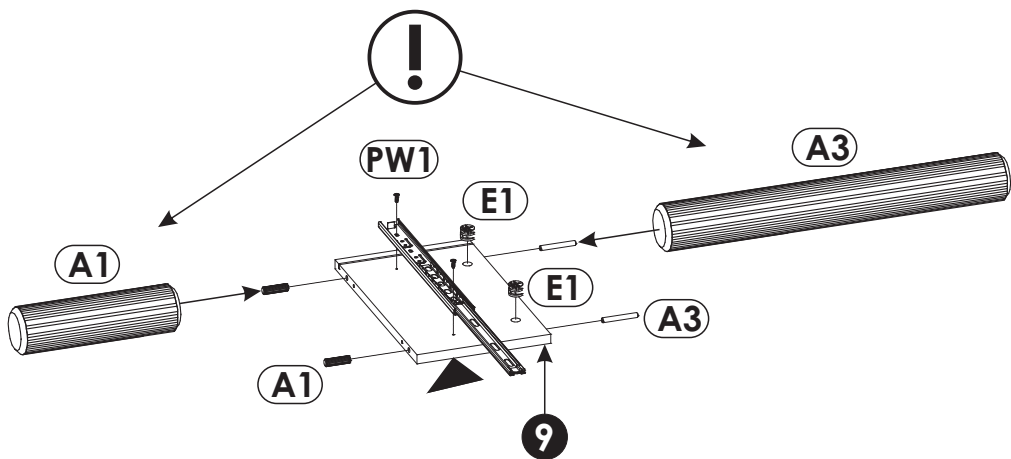
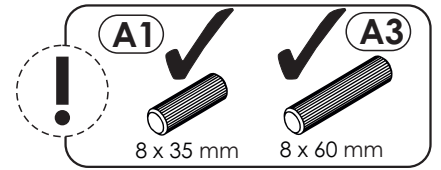
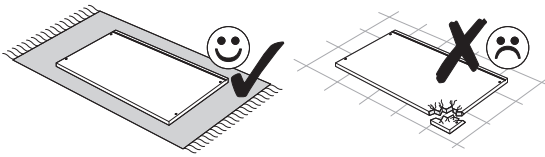
15▶



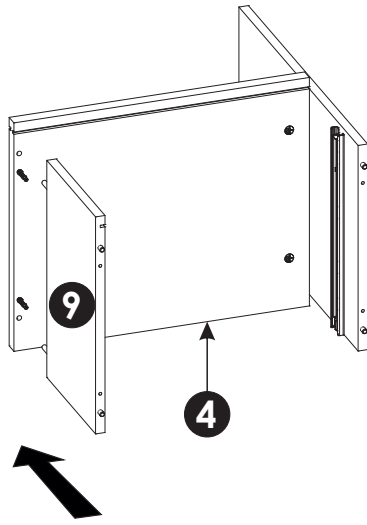
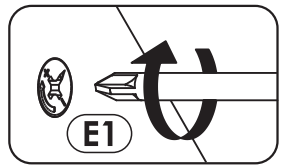
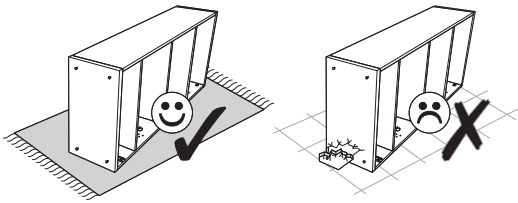
16 ▶



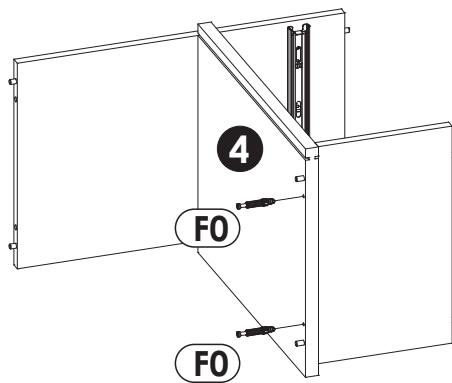
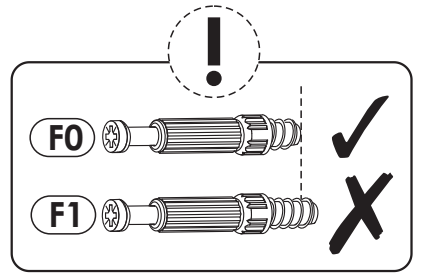
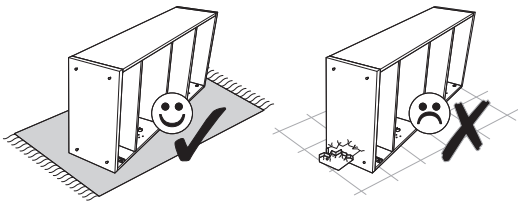
17 ▶



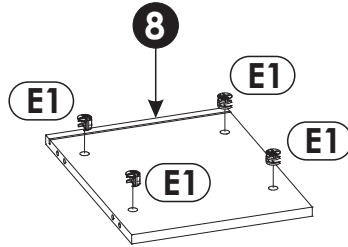
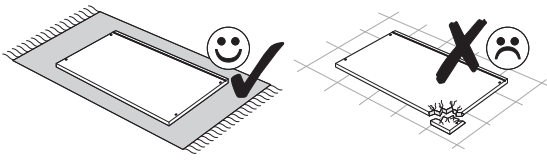
18 ▶



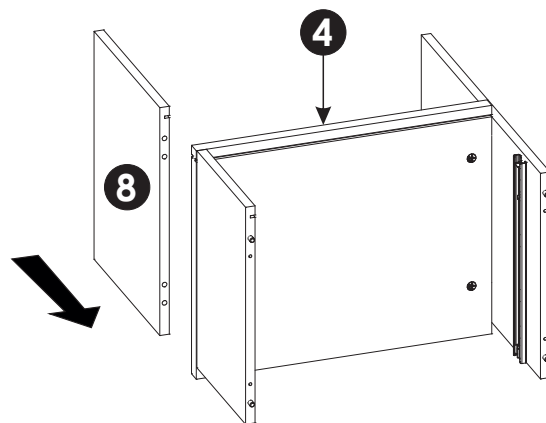
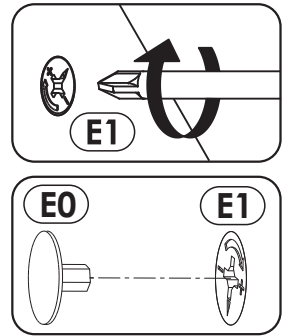
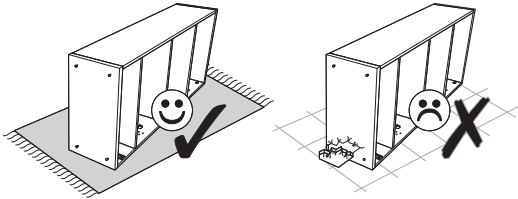
19 ▶



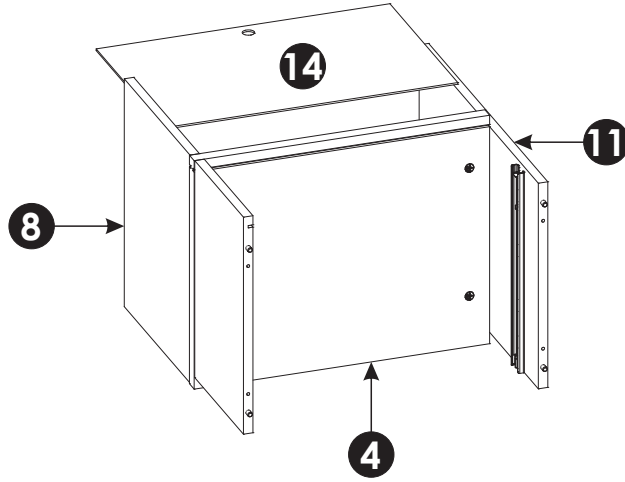
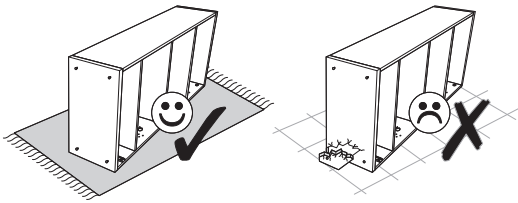
20 ▶



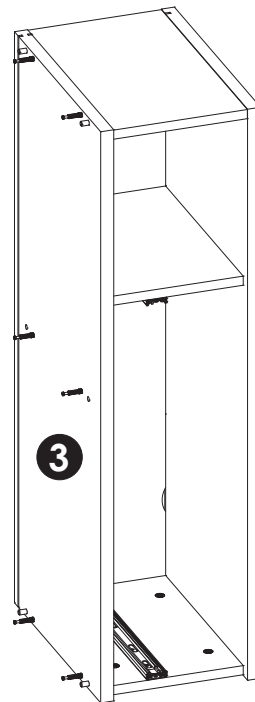
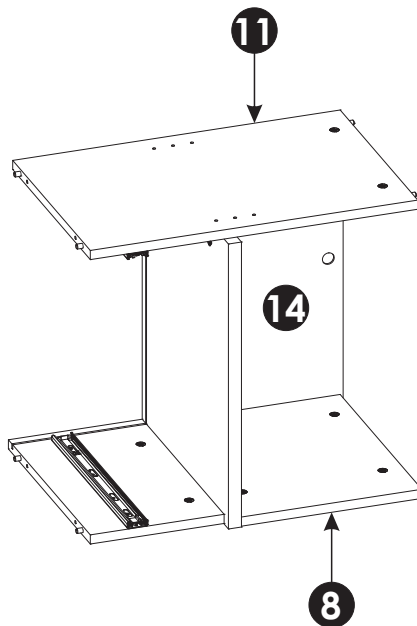
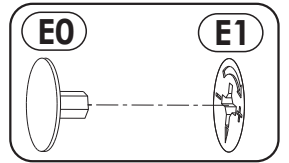
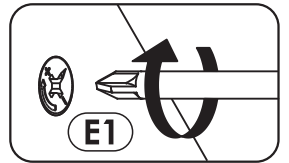
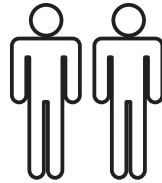
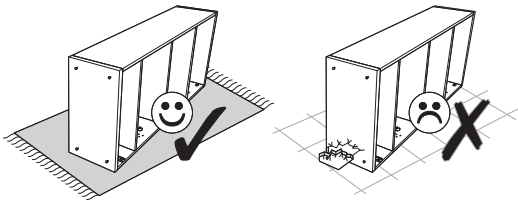
21 ▶



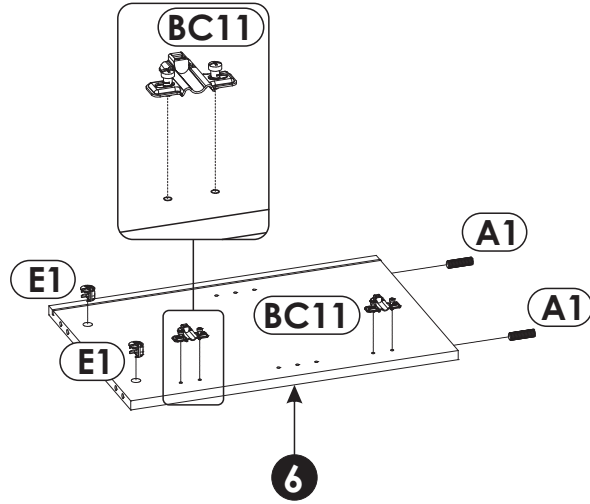
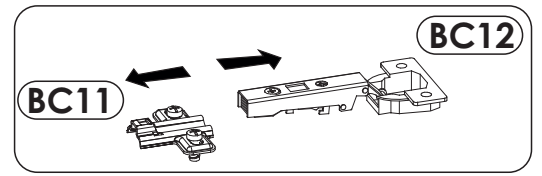
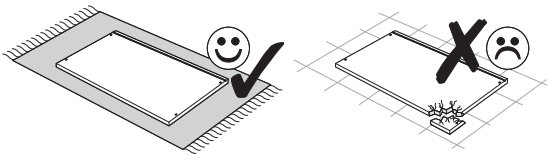
22 ▶



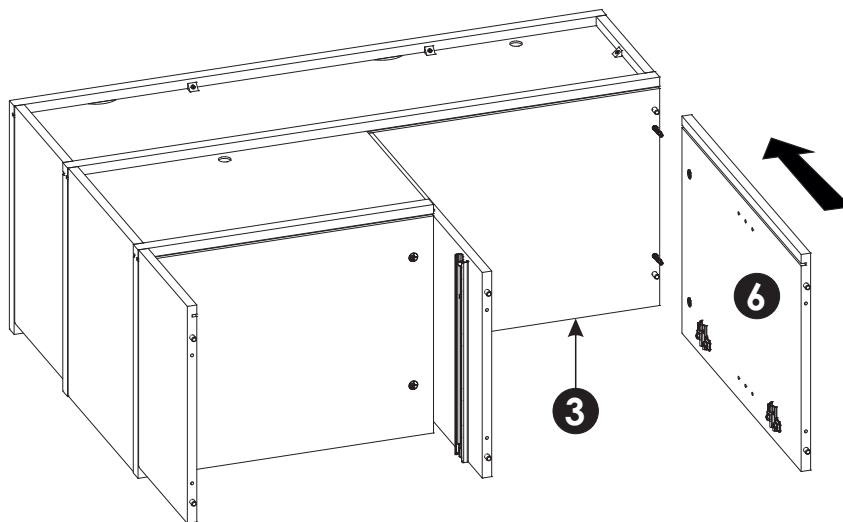
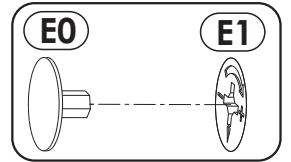
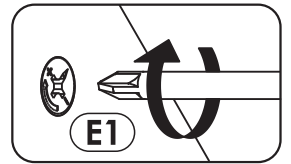
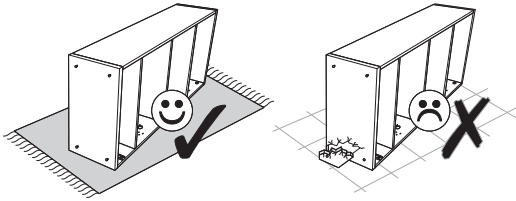
23 ▶



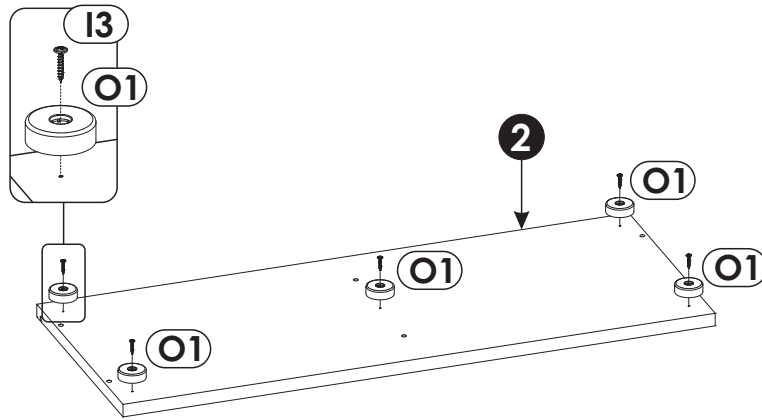
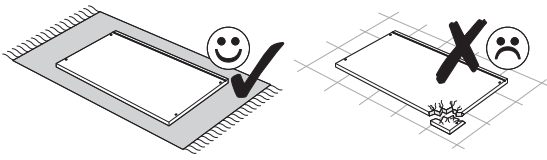
24 ▶



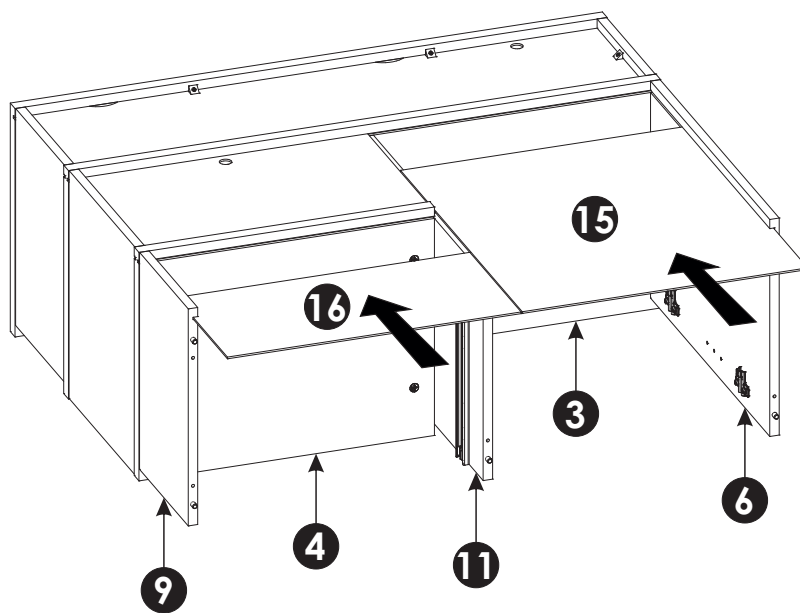
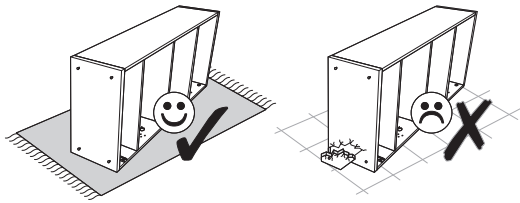
25 ▶



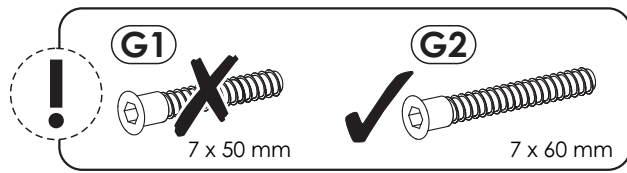
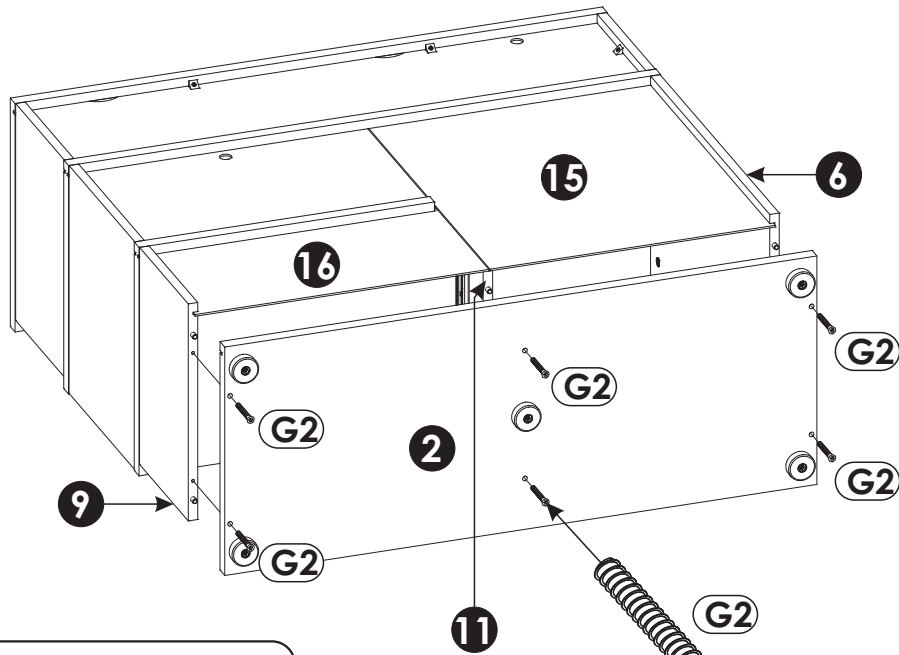
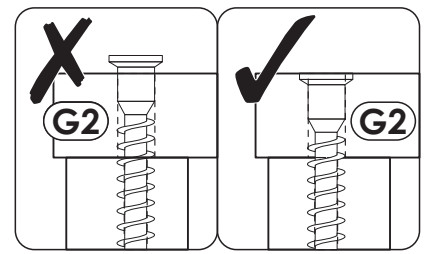
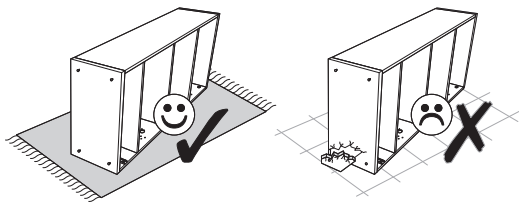
26 ▶



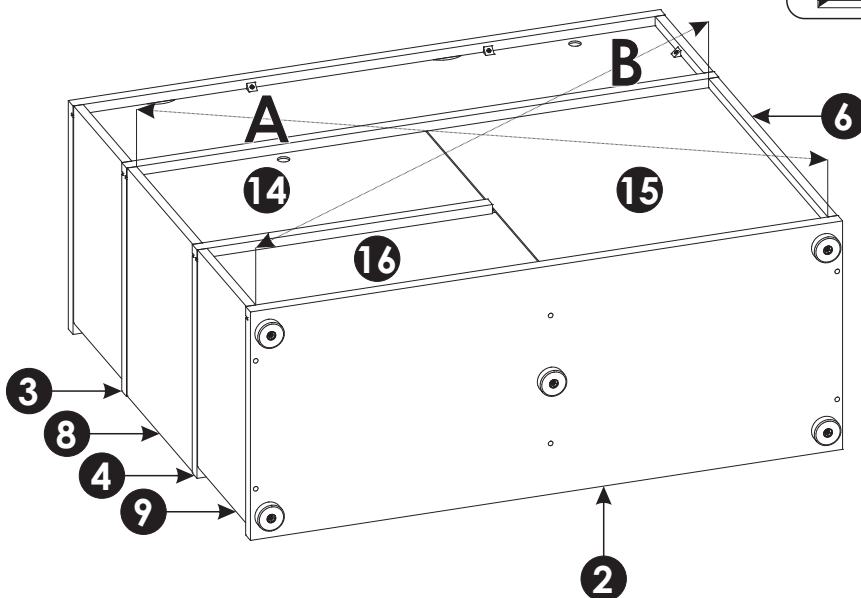
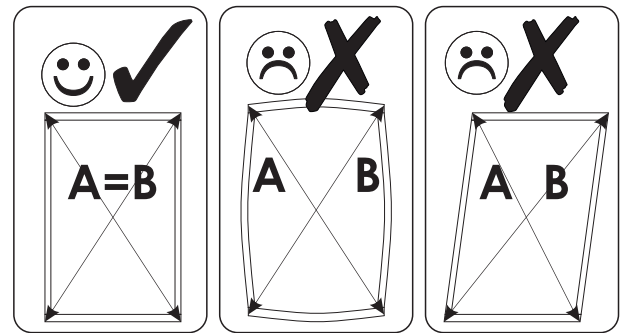
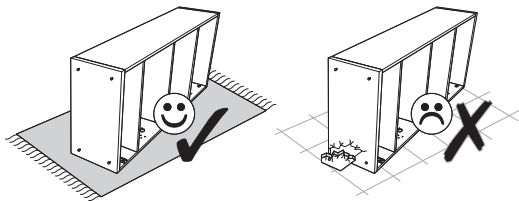
27 ▶



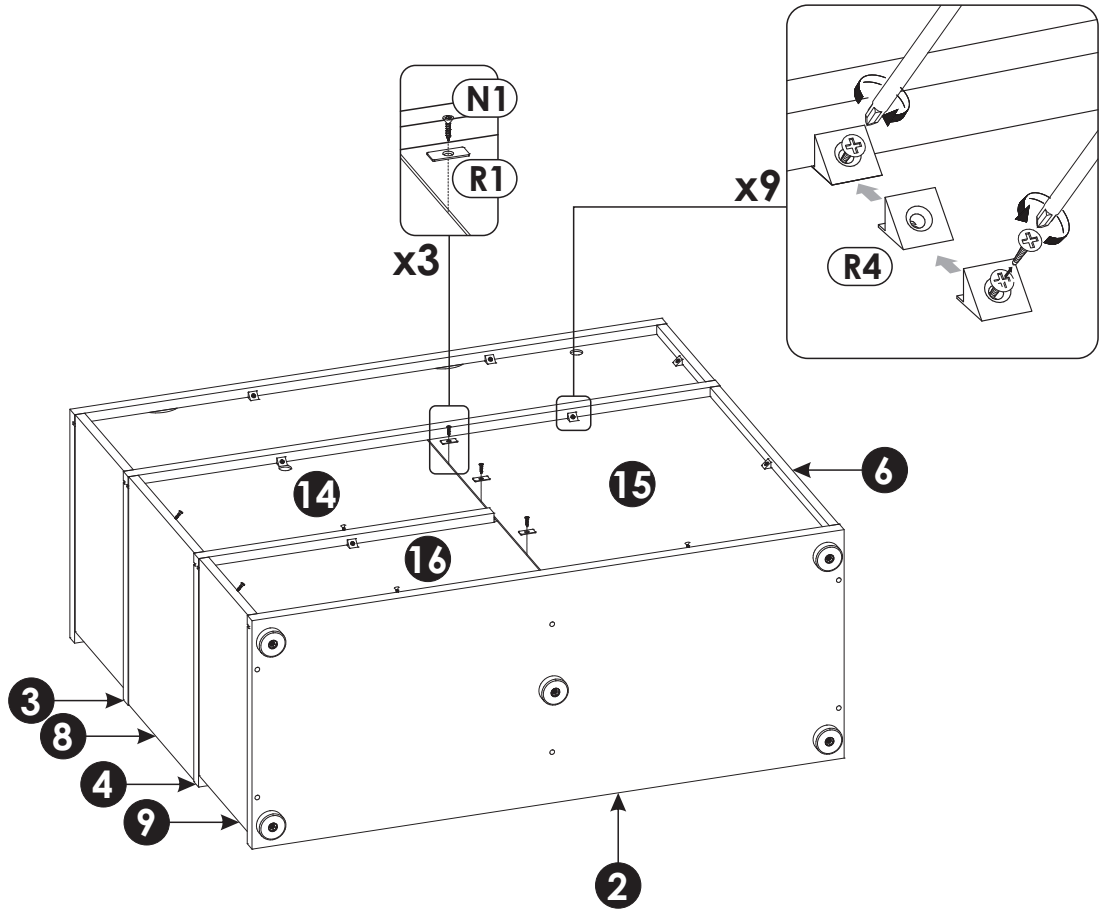
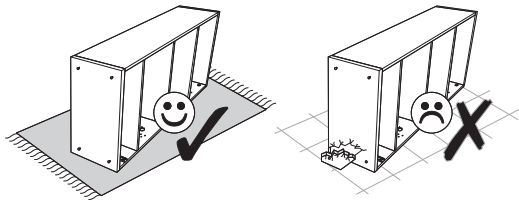
28 ▶

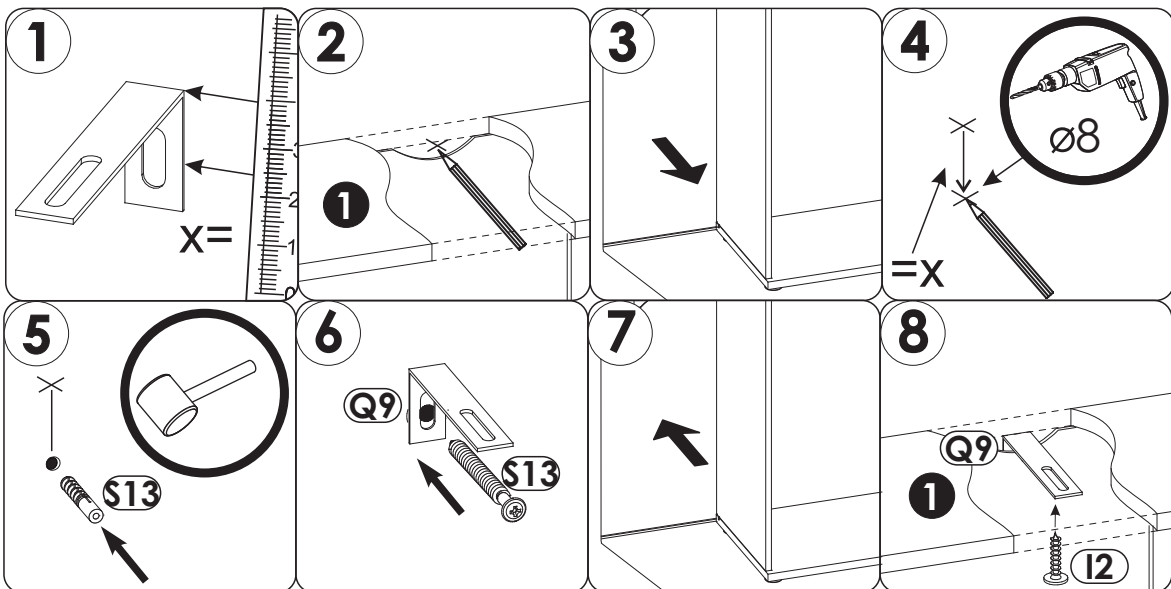
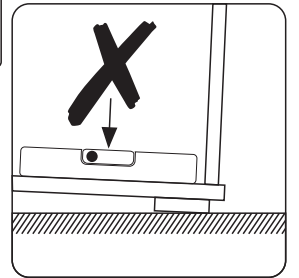
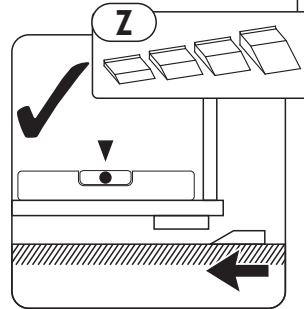
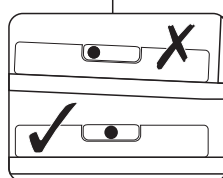
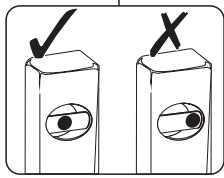
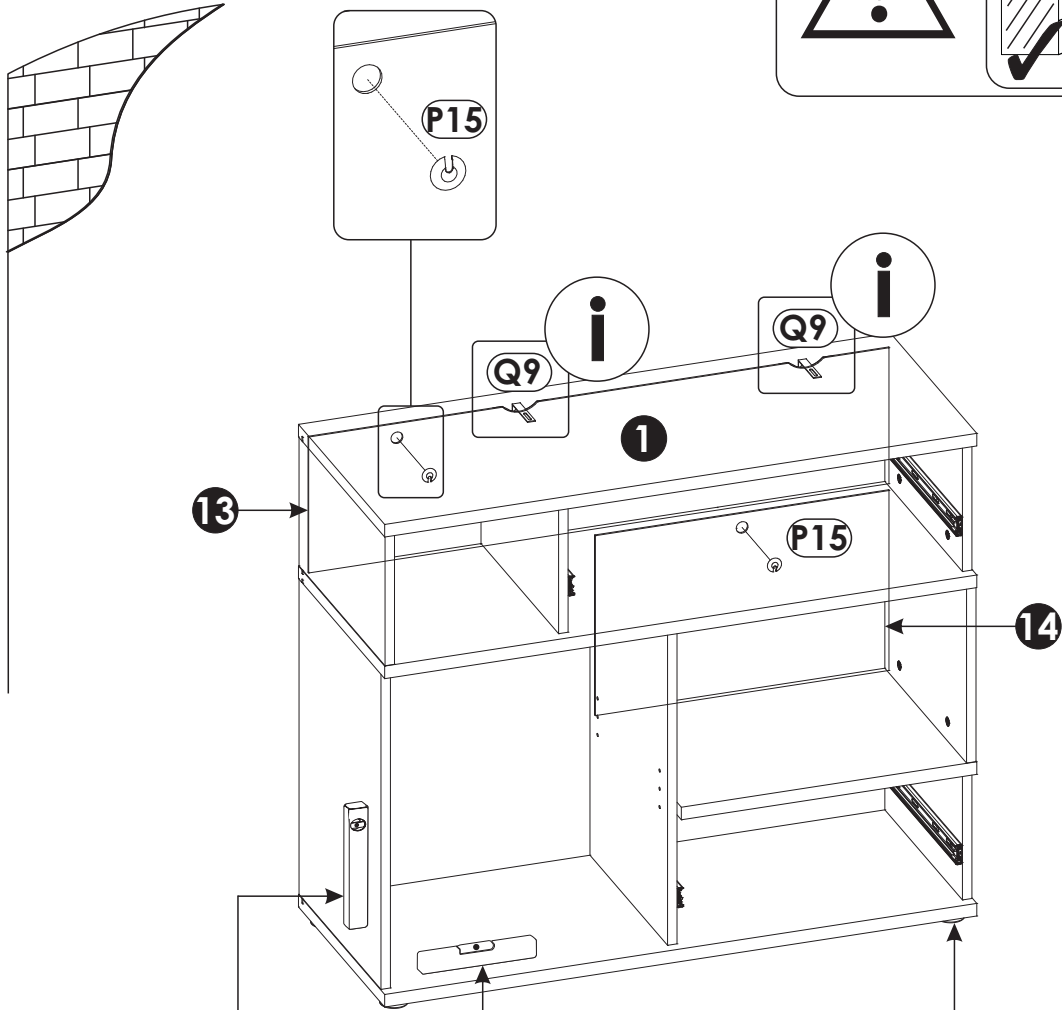
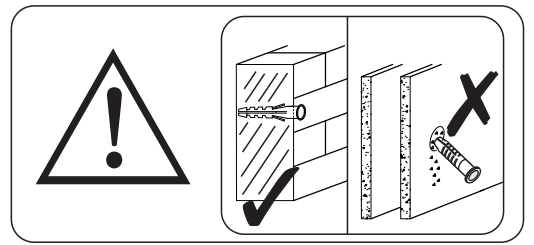


29 ▶

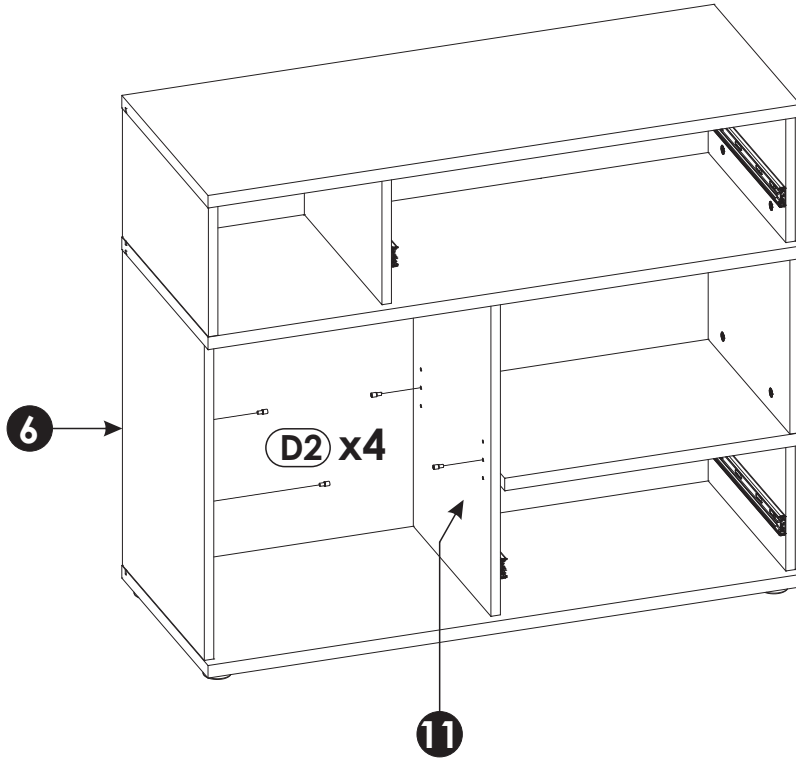
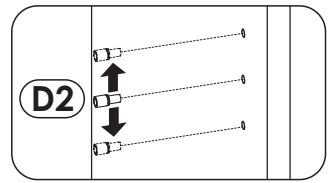


30 ▶

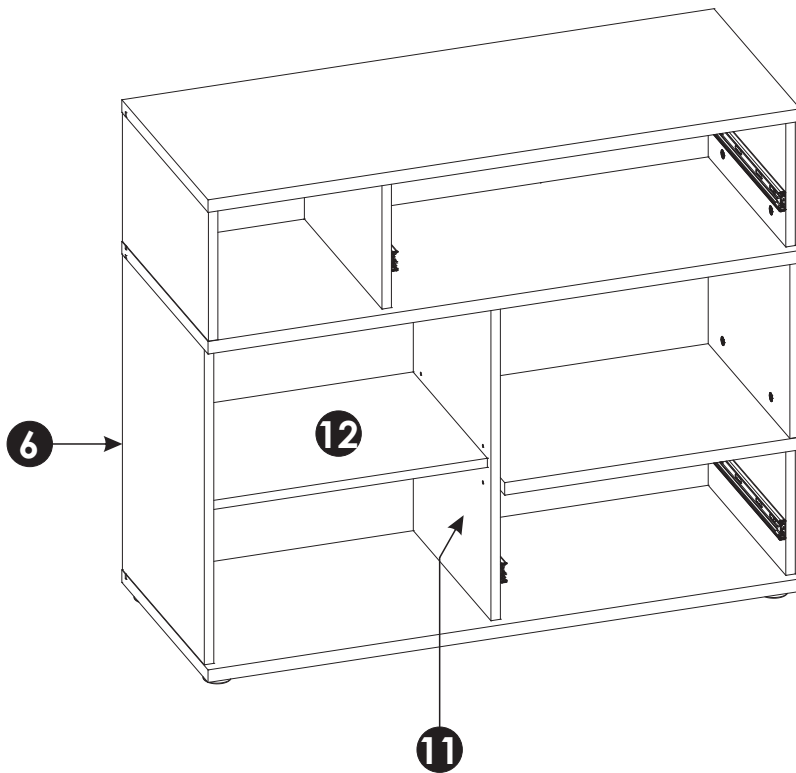
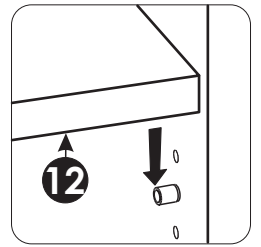




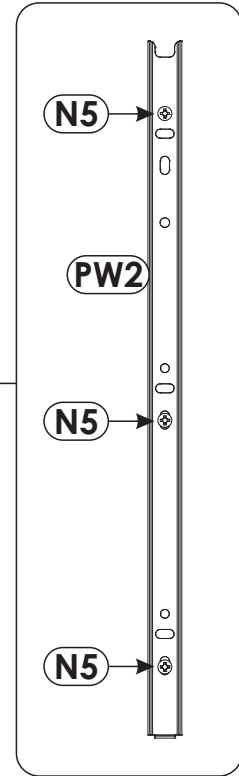
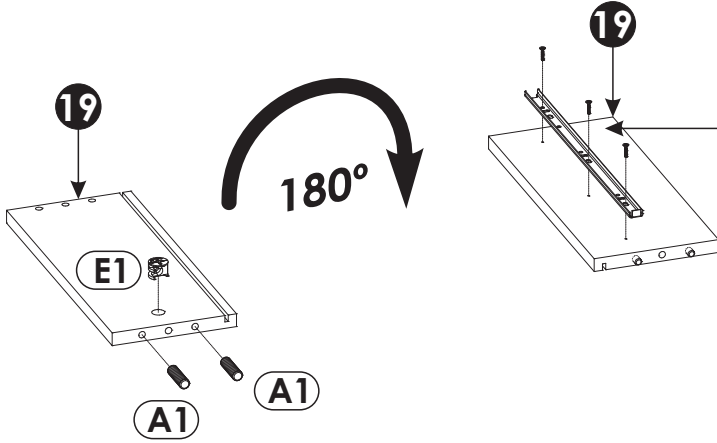
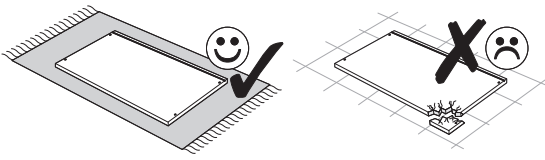
32 ▶



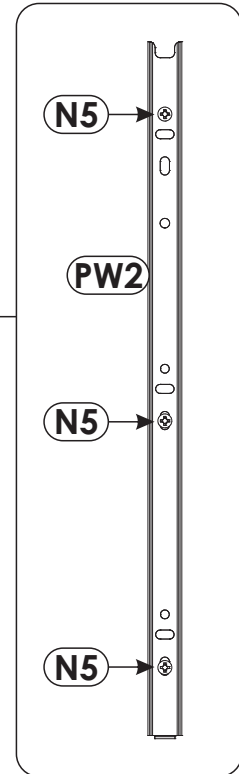
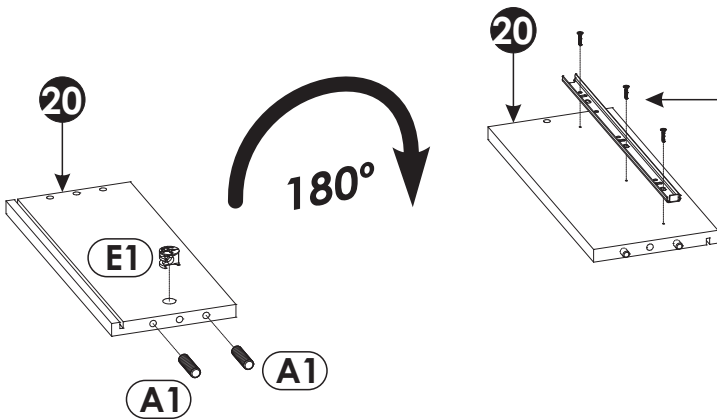
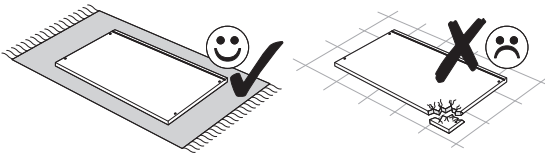
33 ▶



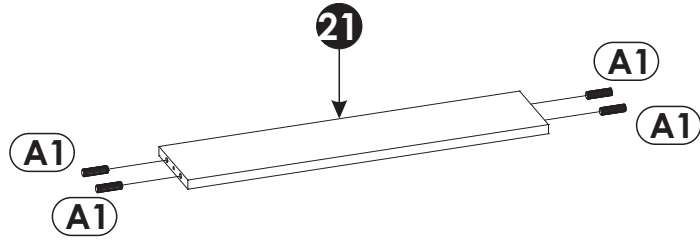
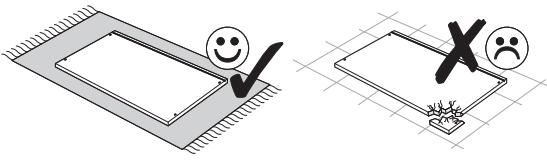
34▶



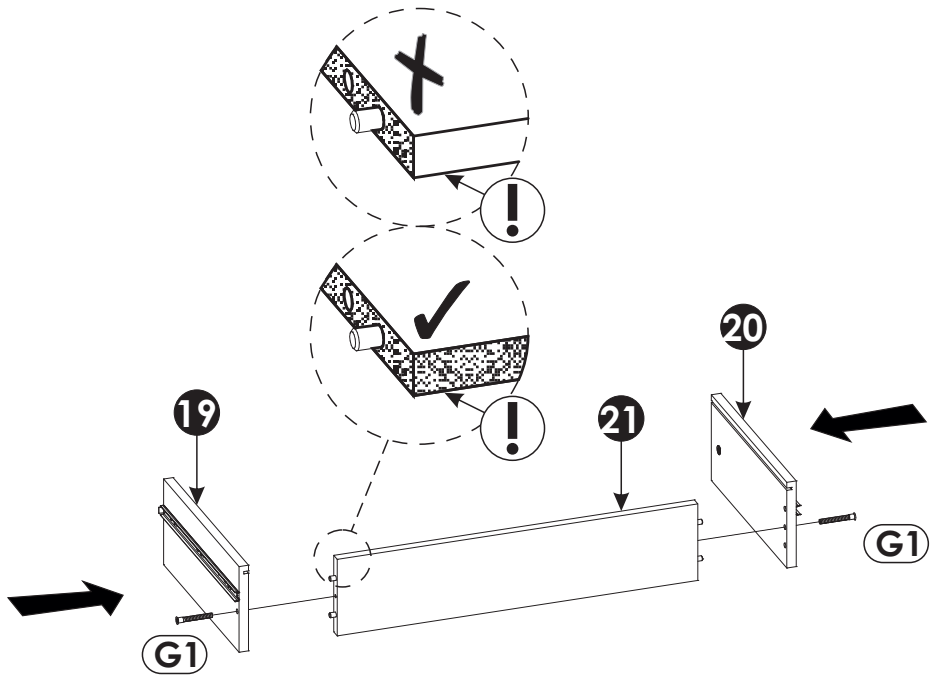
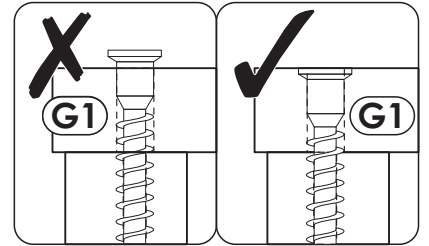
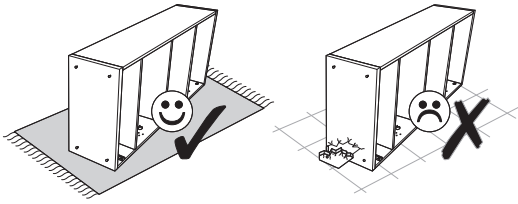
35▶



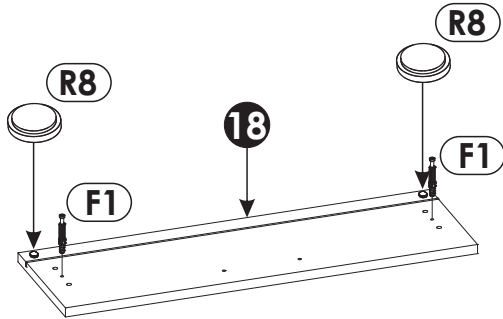
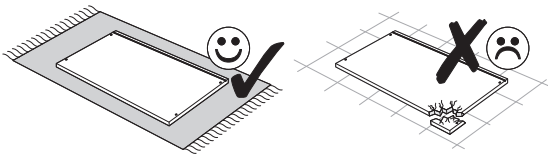
36 ▶



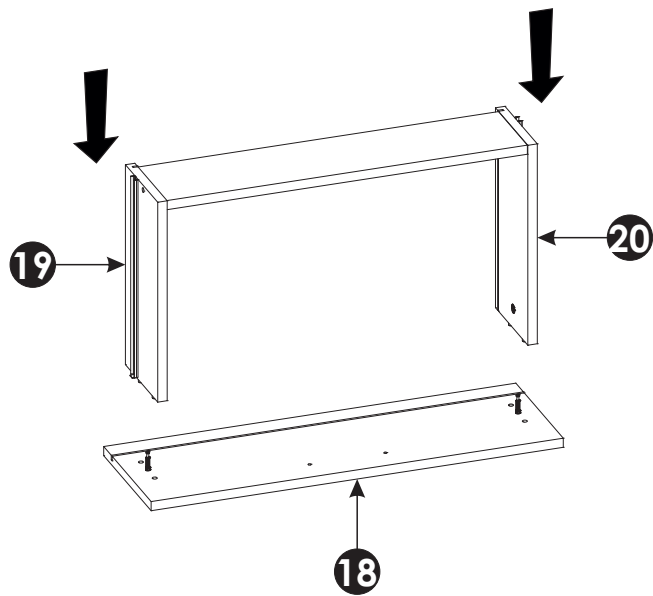
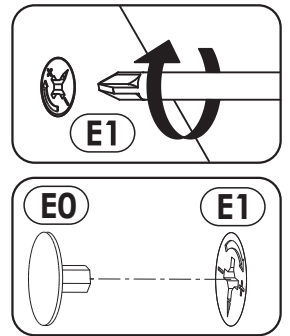
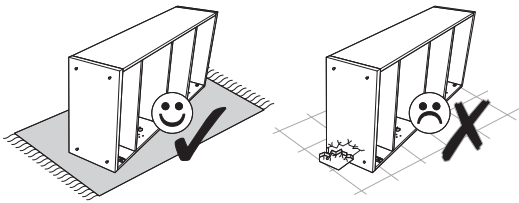
37 ▶



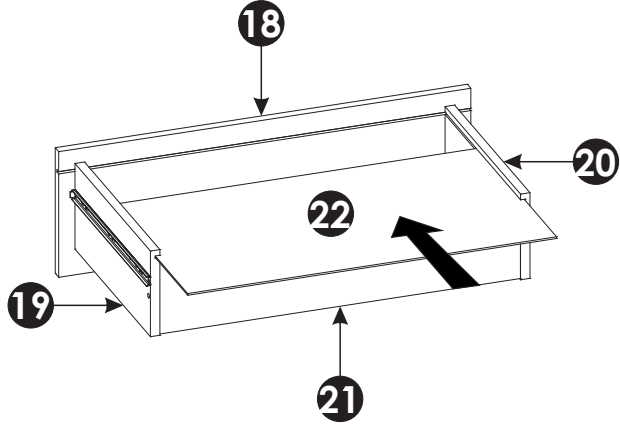
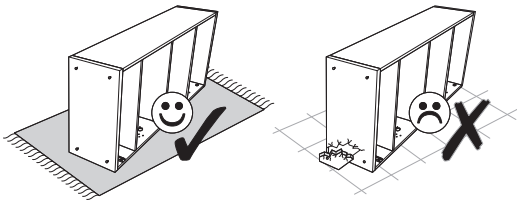
38 ▶



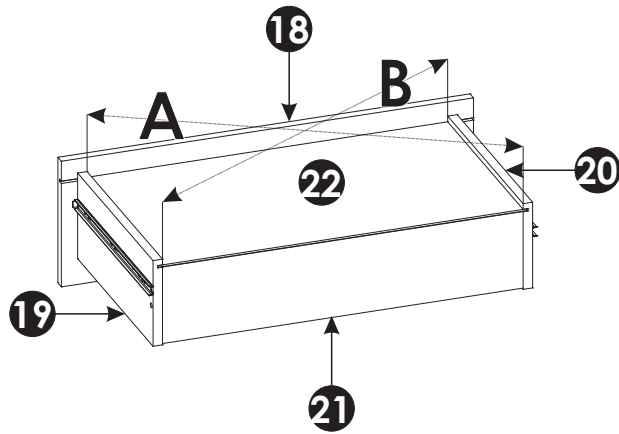
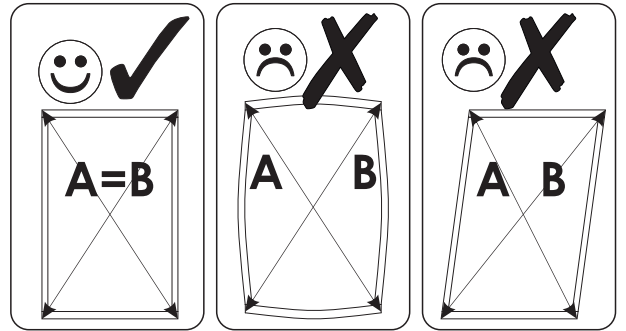
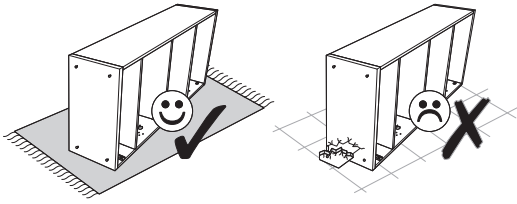
39 ▶



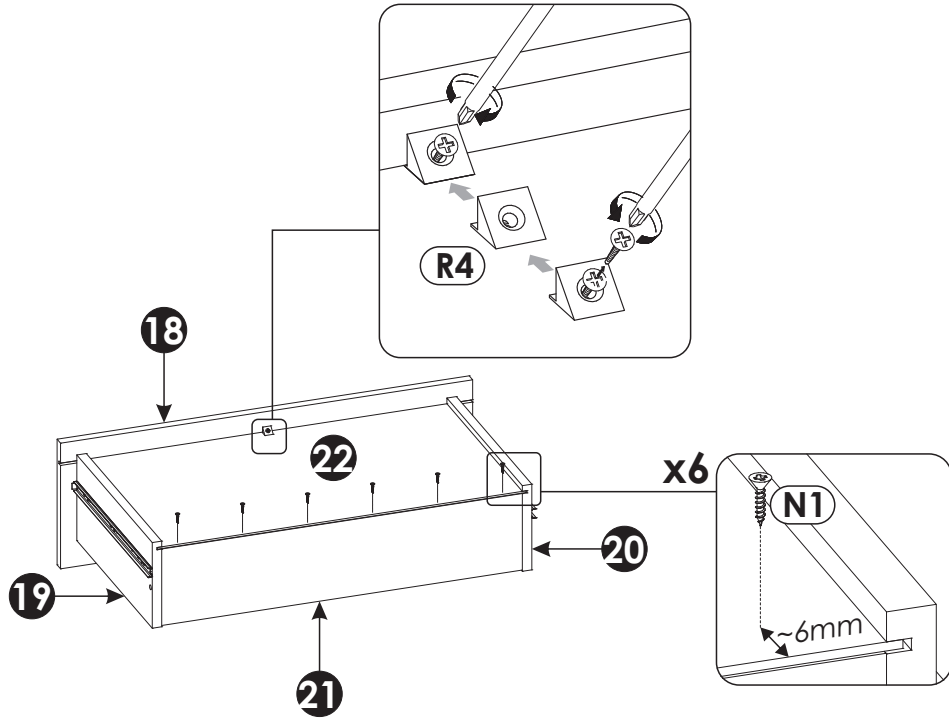
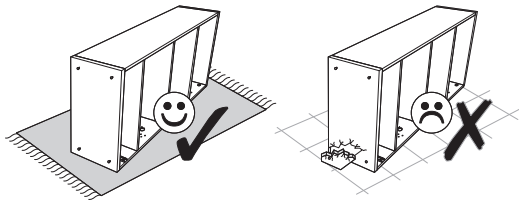
40 ▶



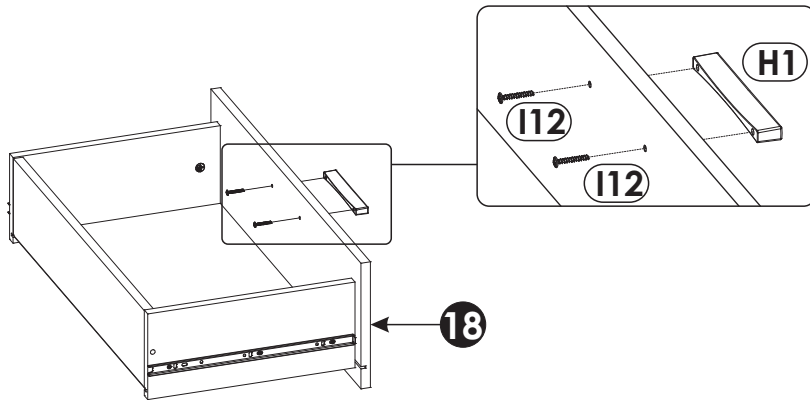
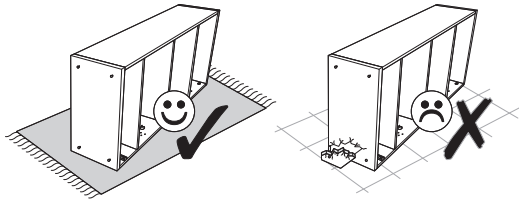
41 ▶



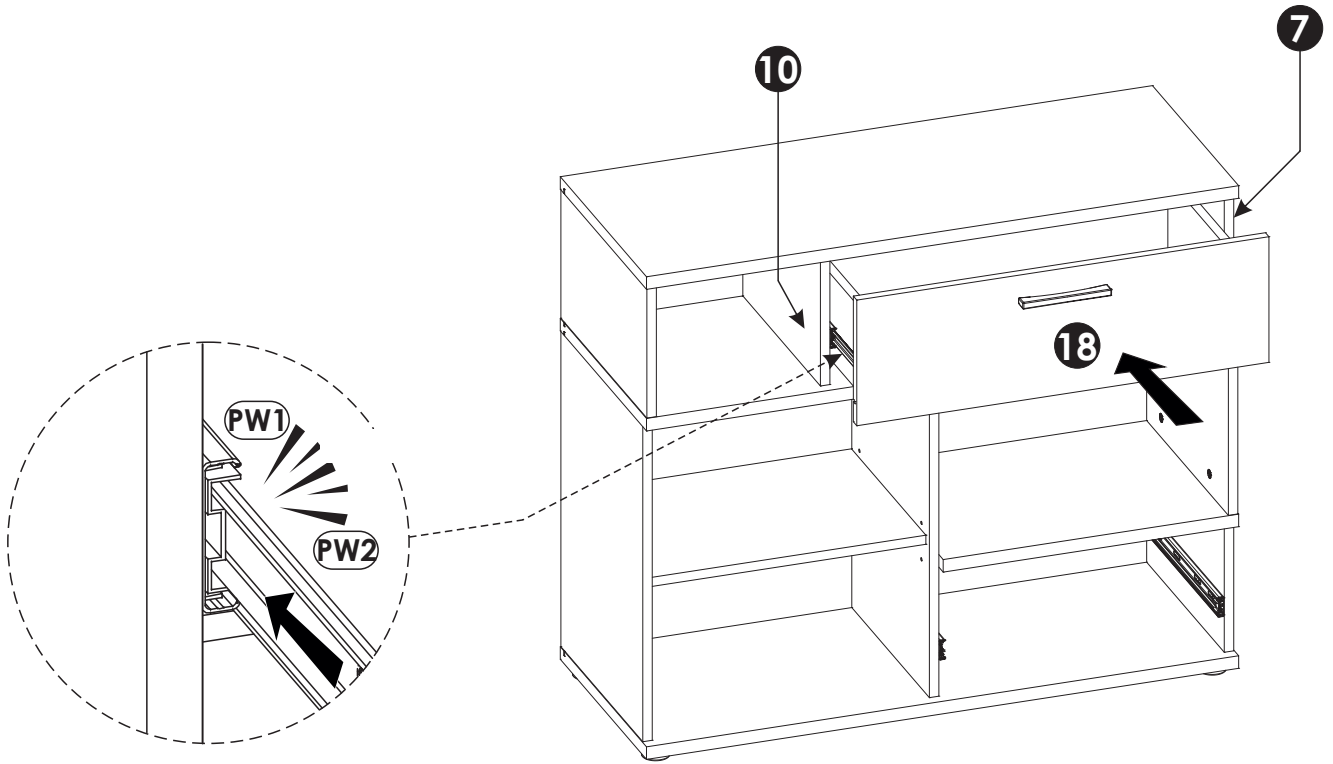
42 ▶



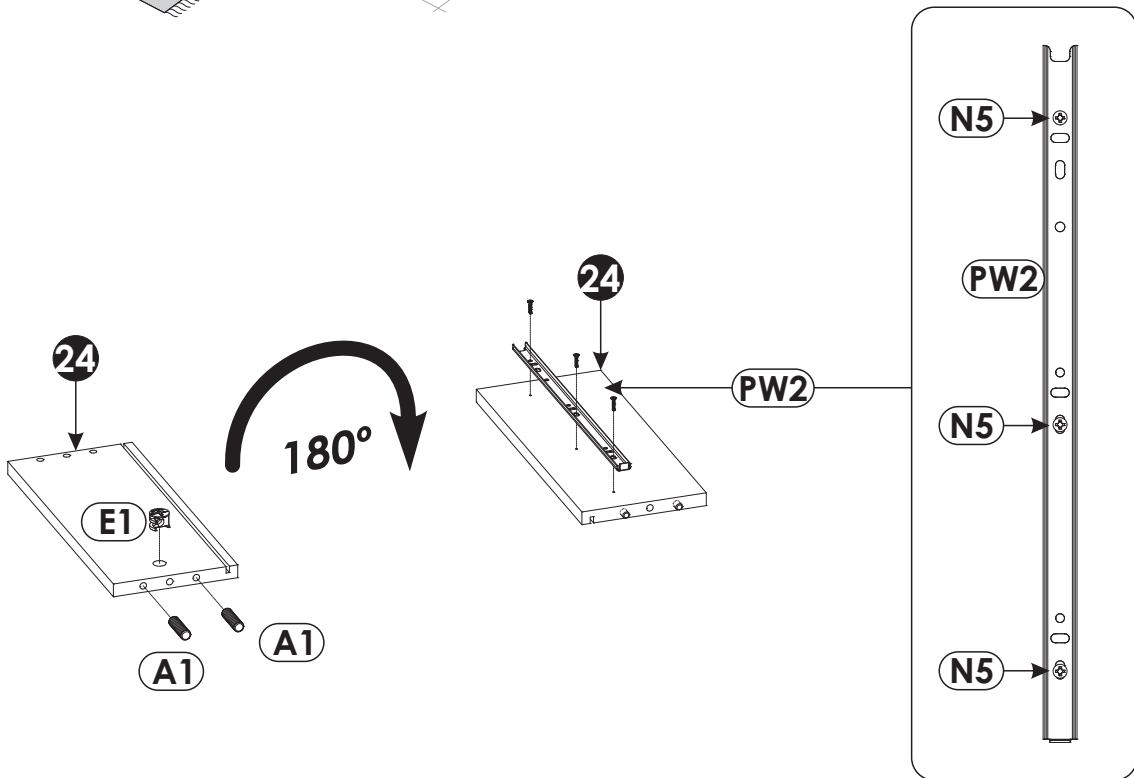
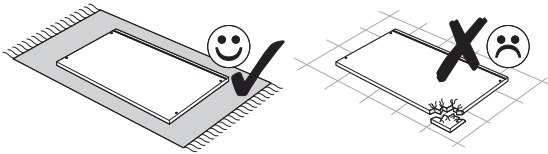
43 ▶



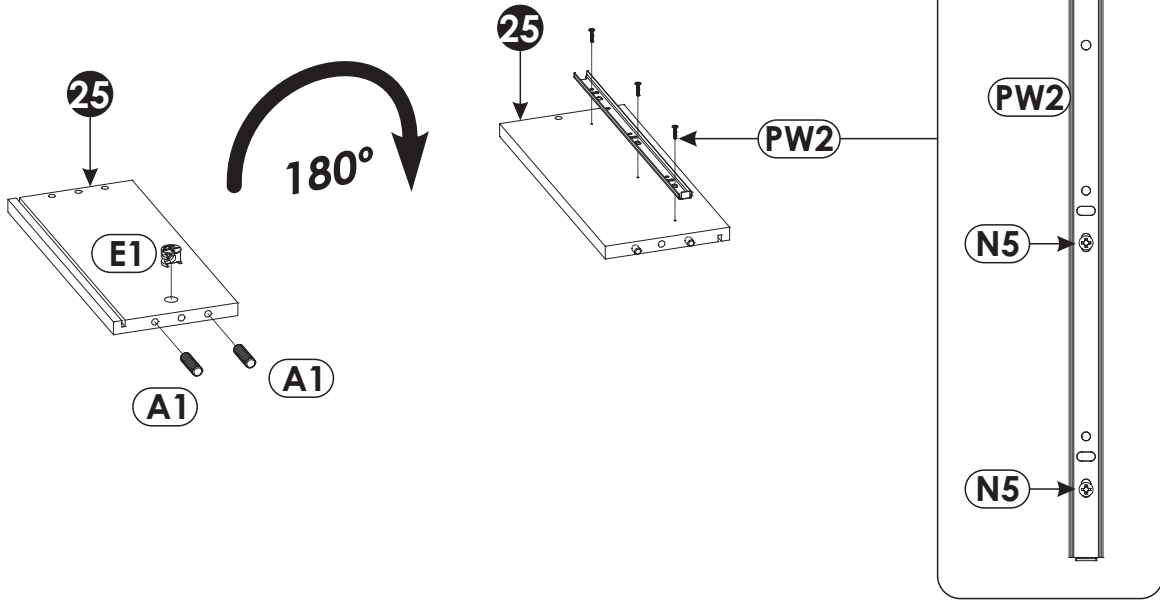
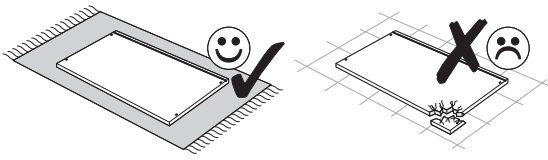
44 ▶



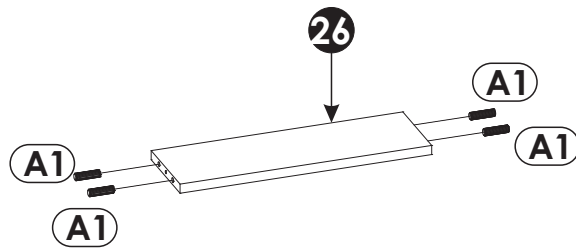
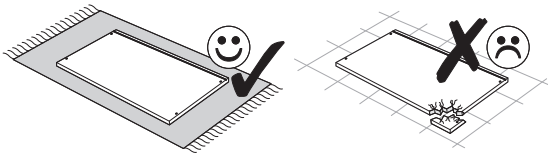
45 ▶



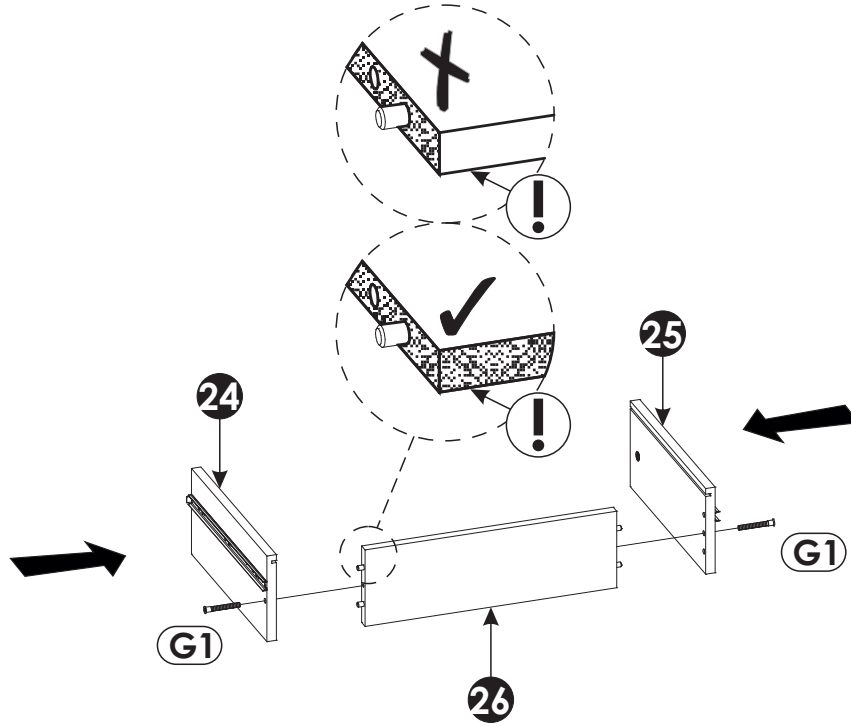
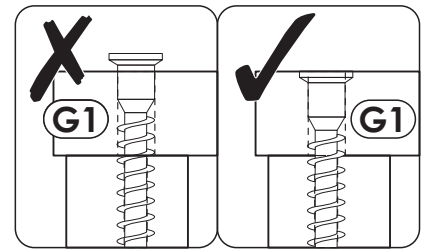
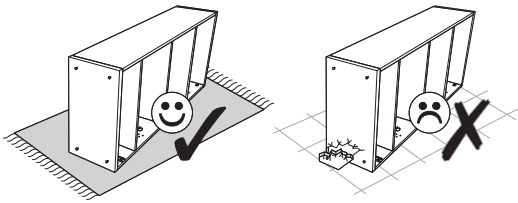
46 ▶



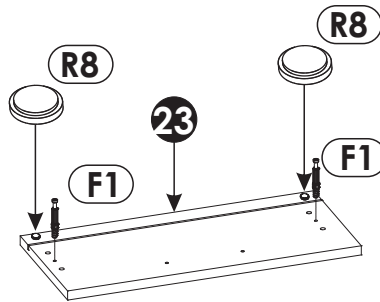
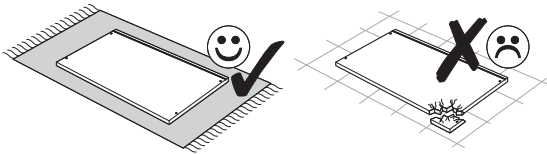
47 ▶



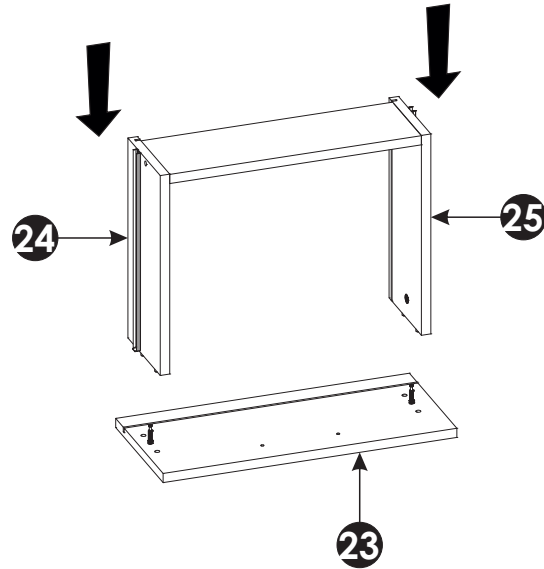
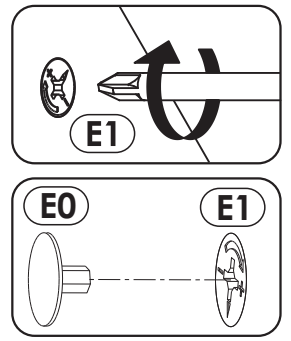
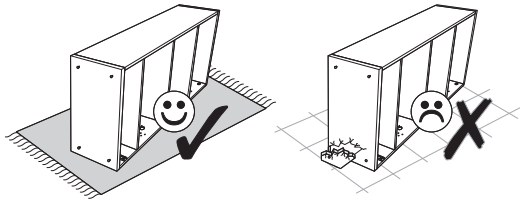
48 ▶



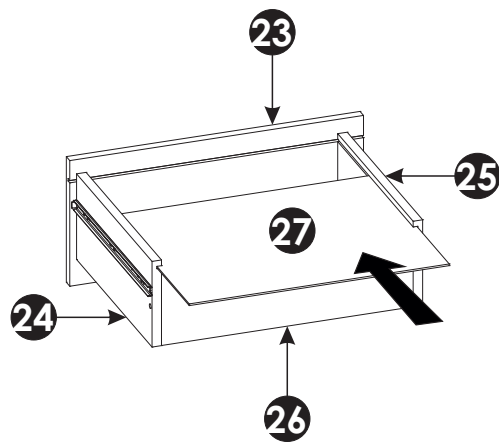
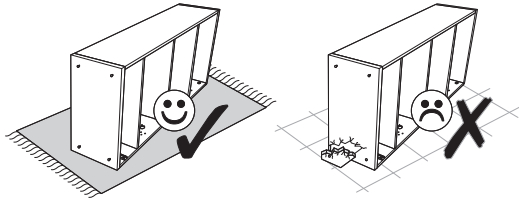
49 ▶



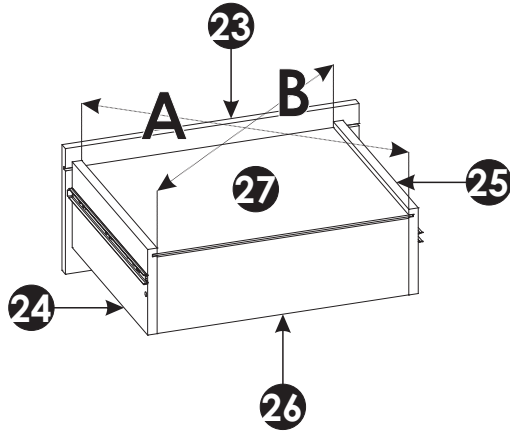
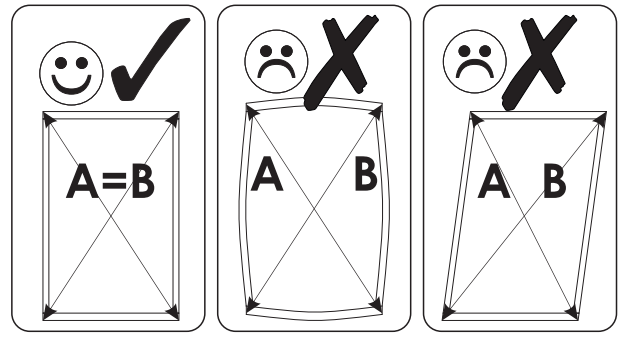
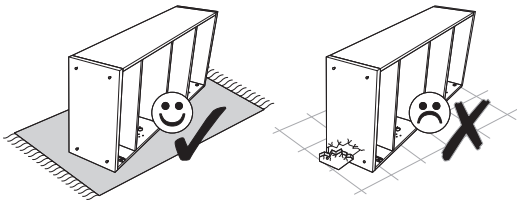
50 ▶



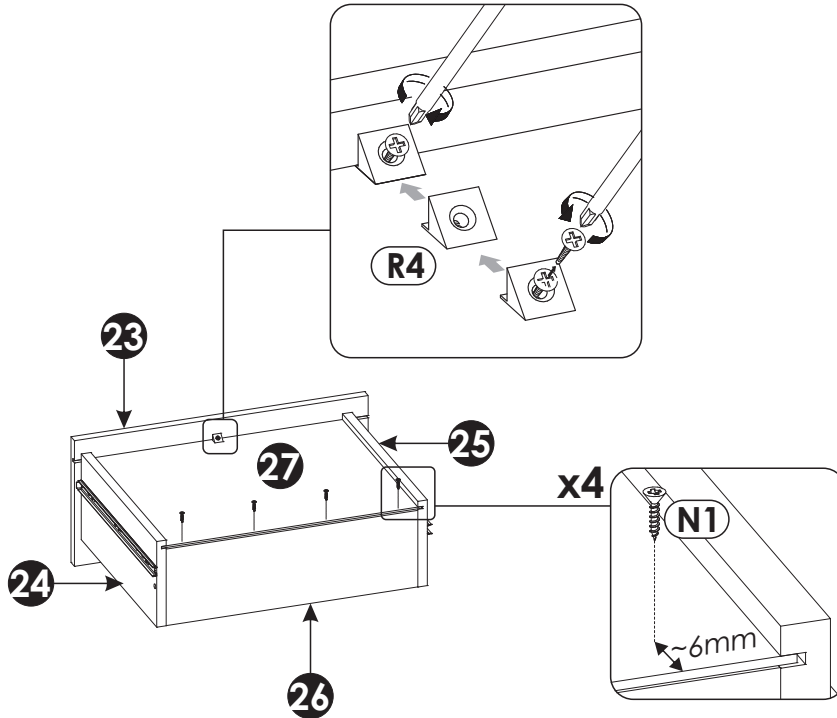
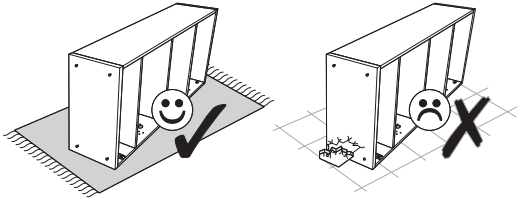
51 ▶



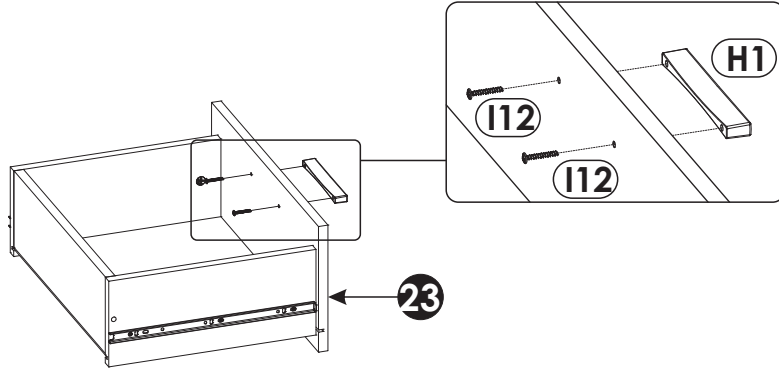
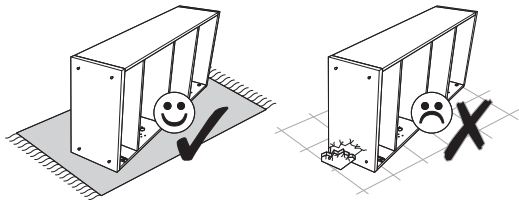
52 ▶



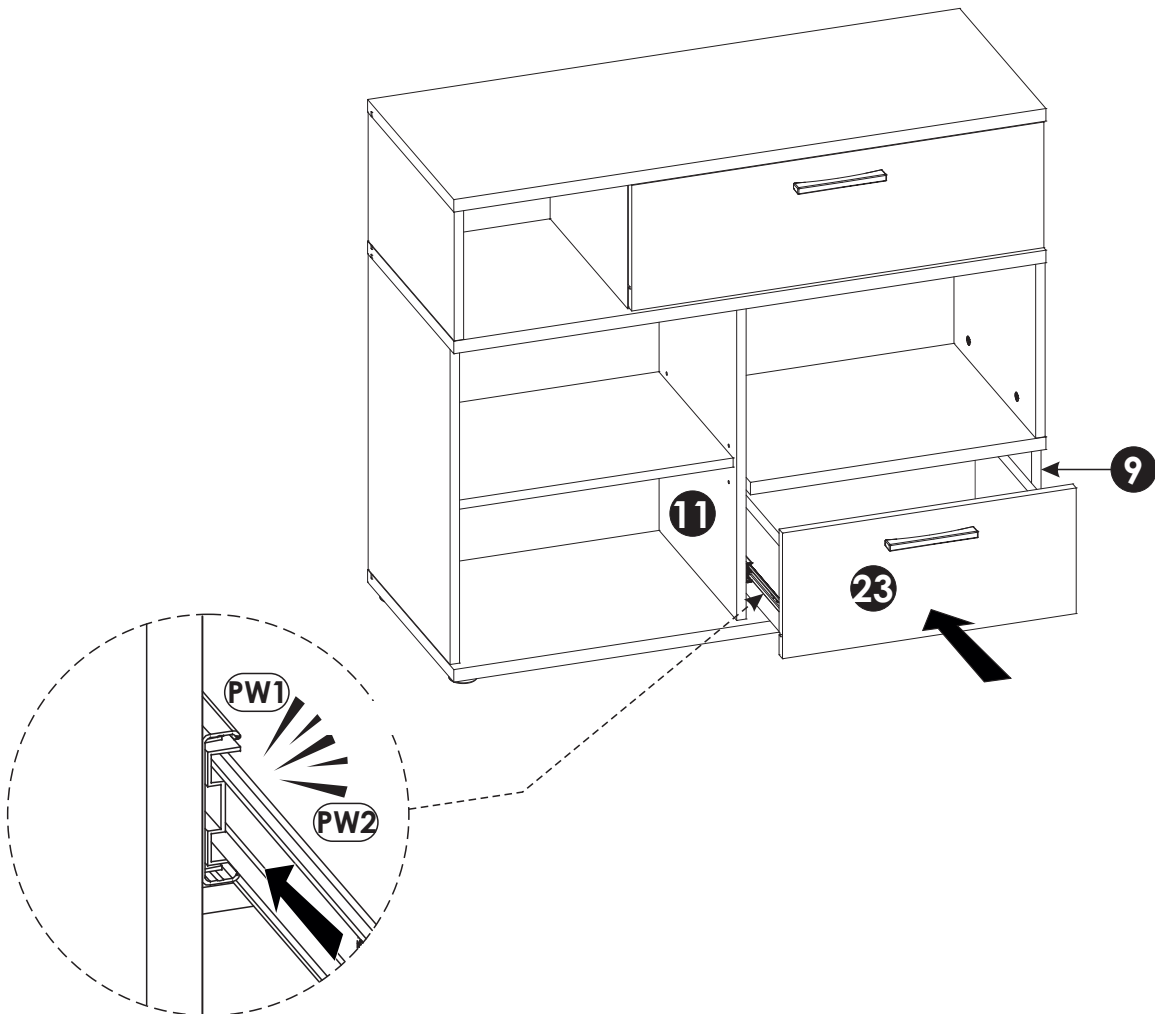
53 ▶



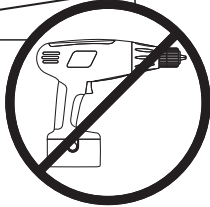
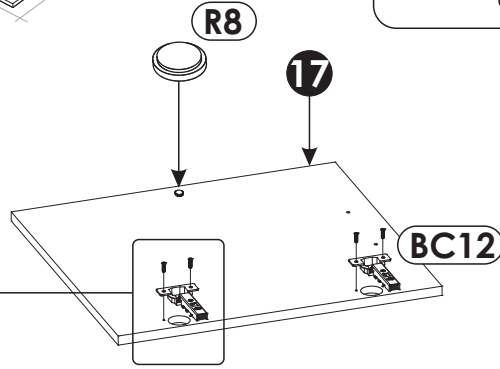
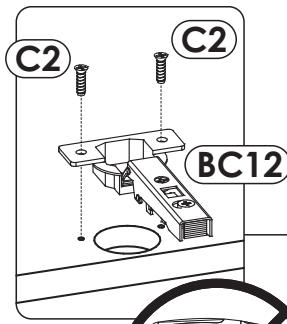
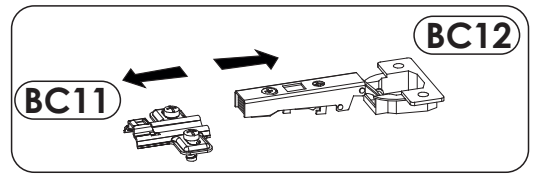
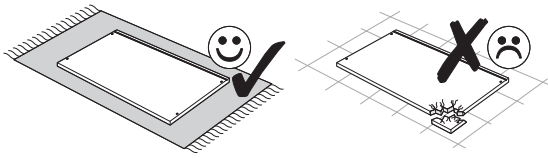
54▶



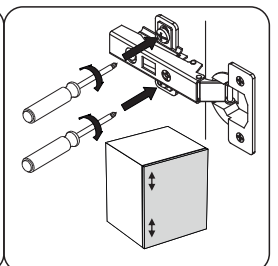
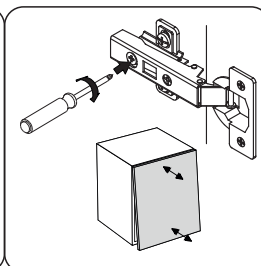
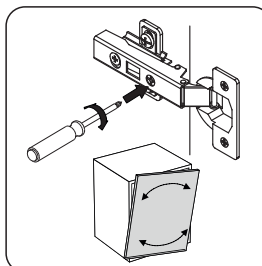
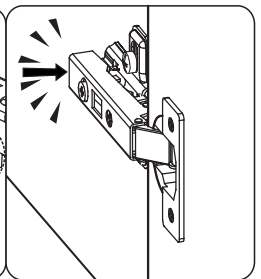
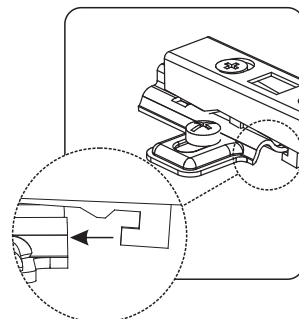
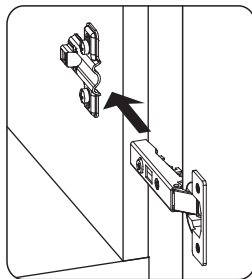
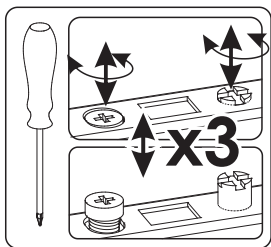
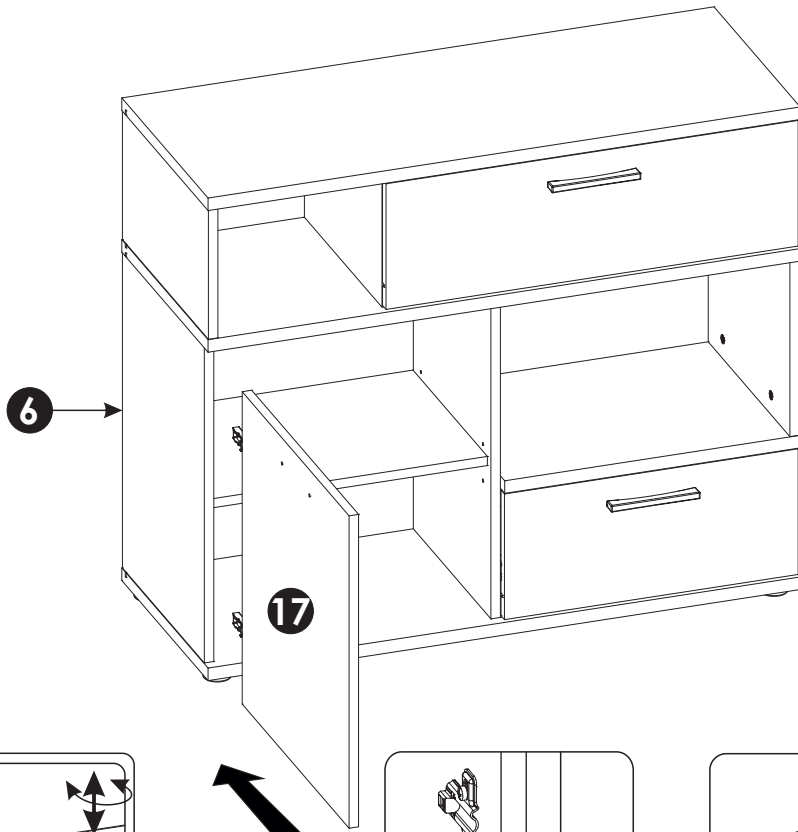
55▶



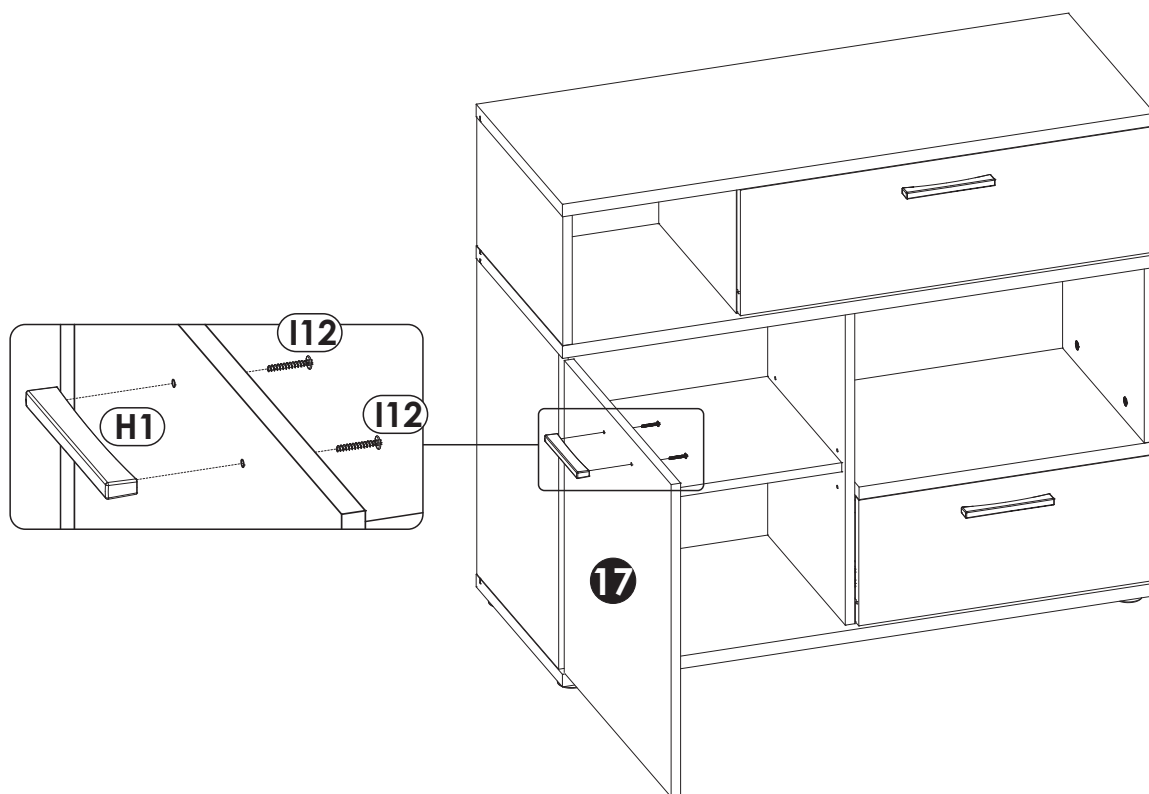
56▶▶



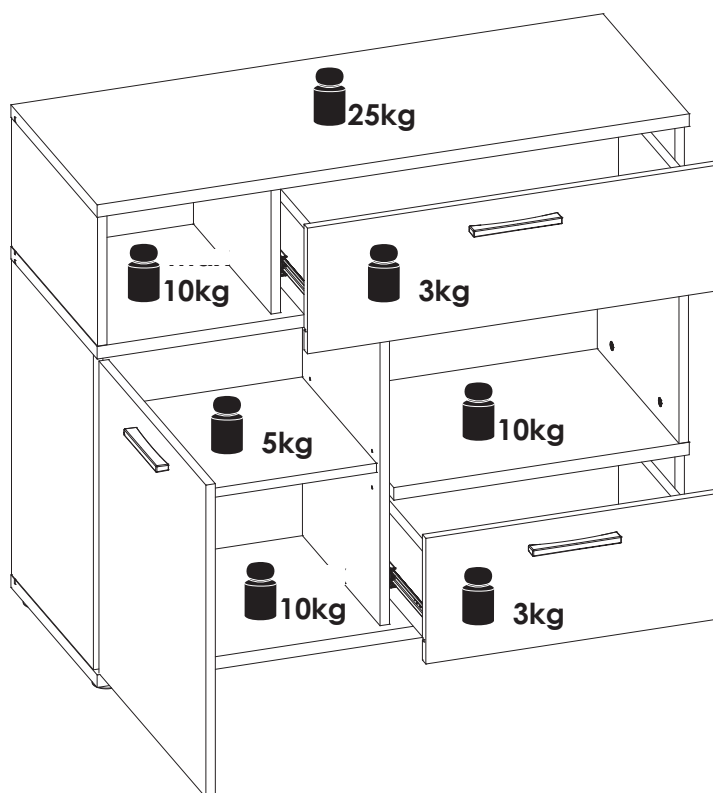
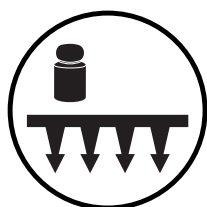
57▶▶

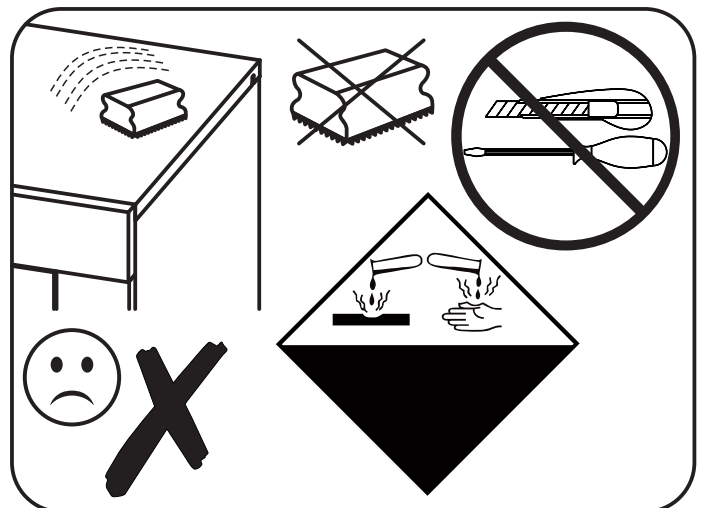
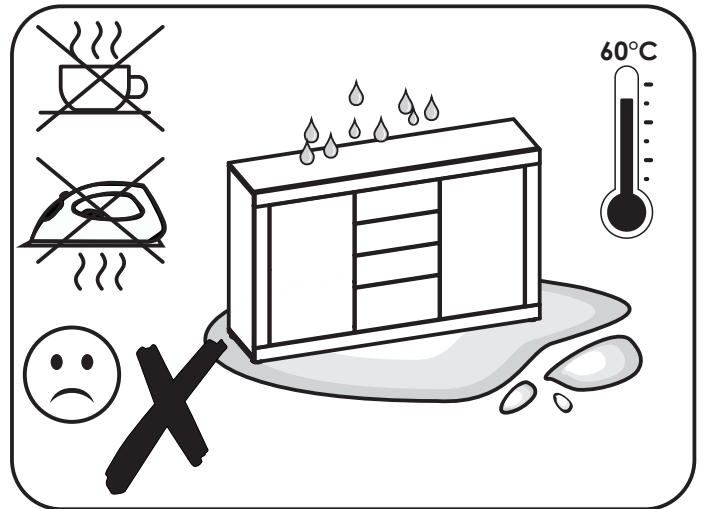
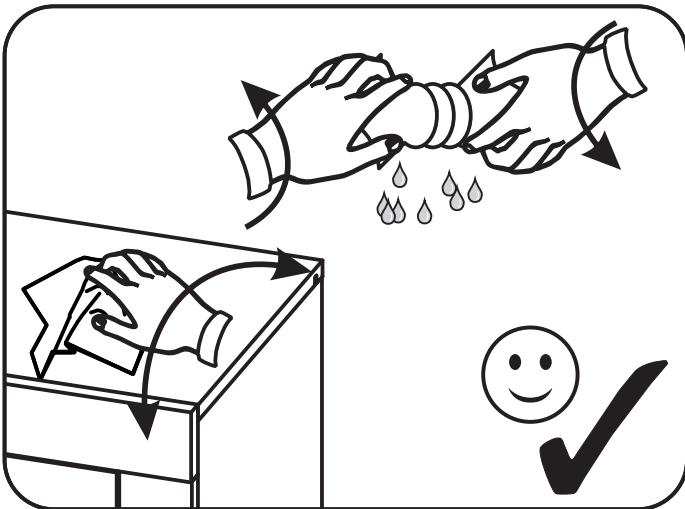
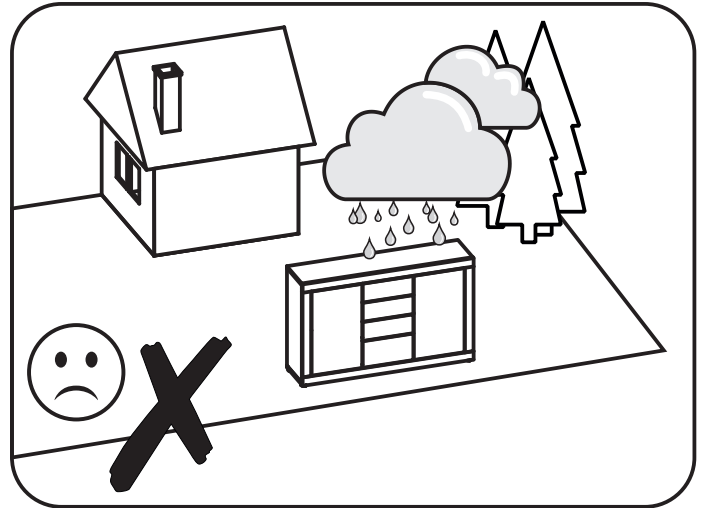
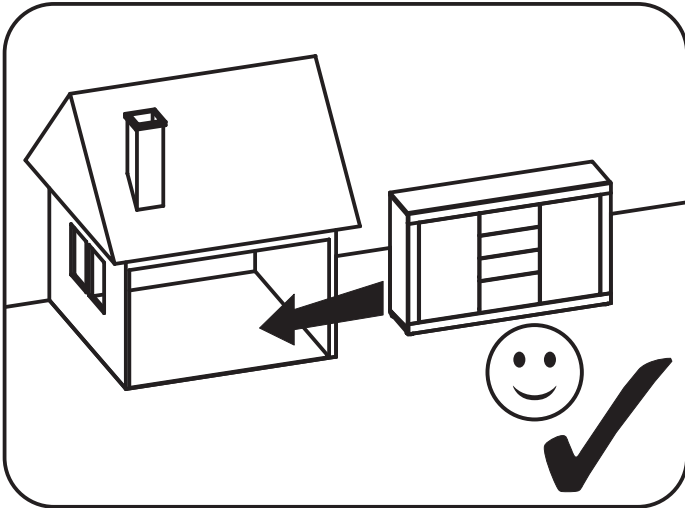


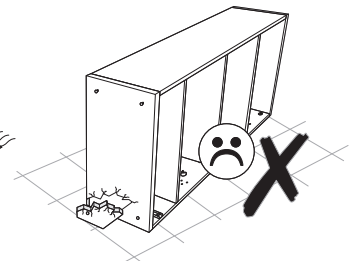
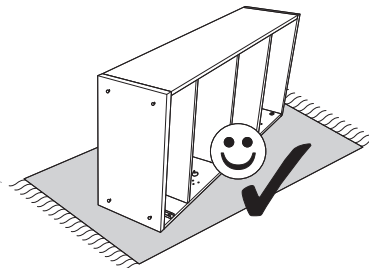
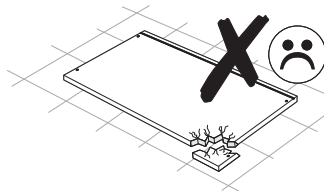
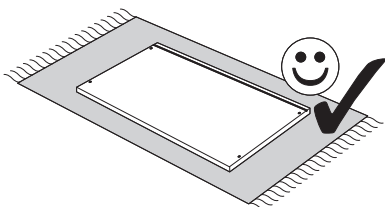
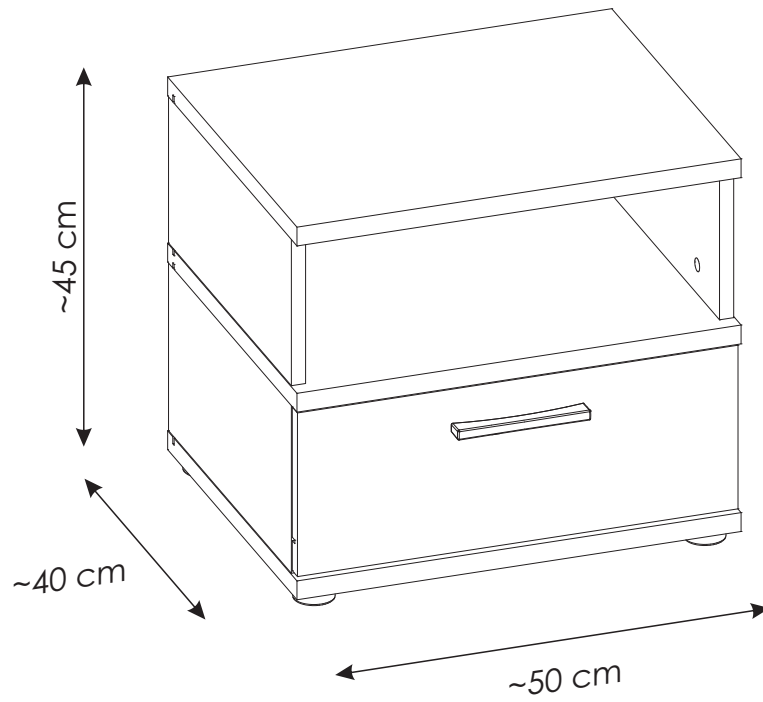
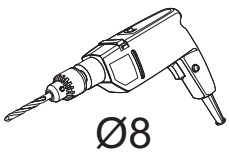
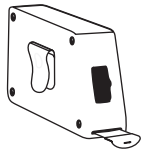
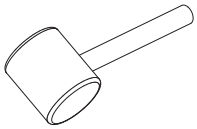
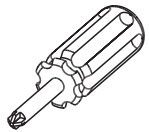
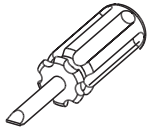
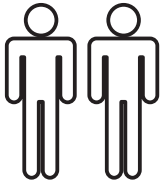
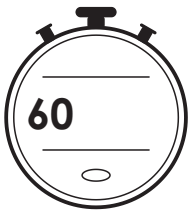
58 ▶

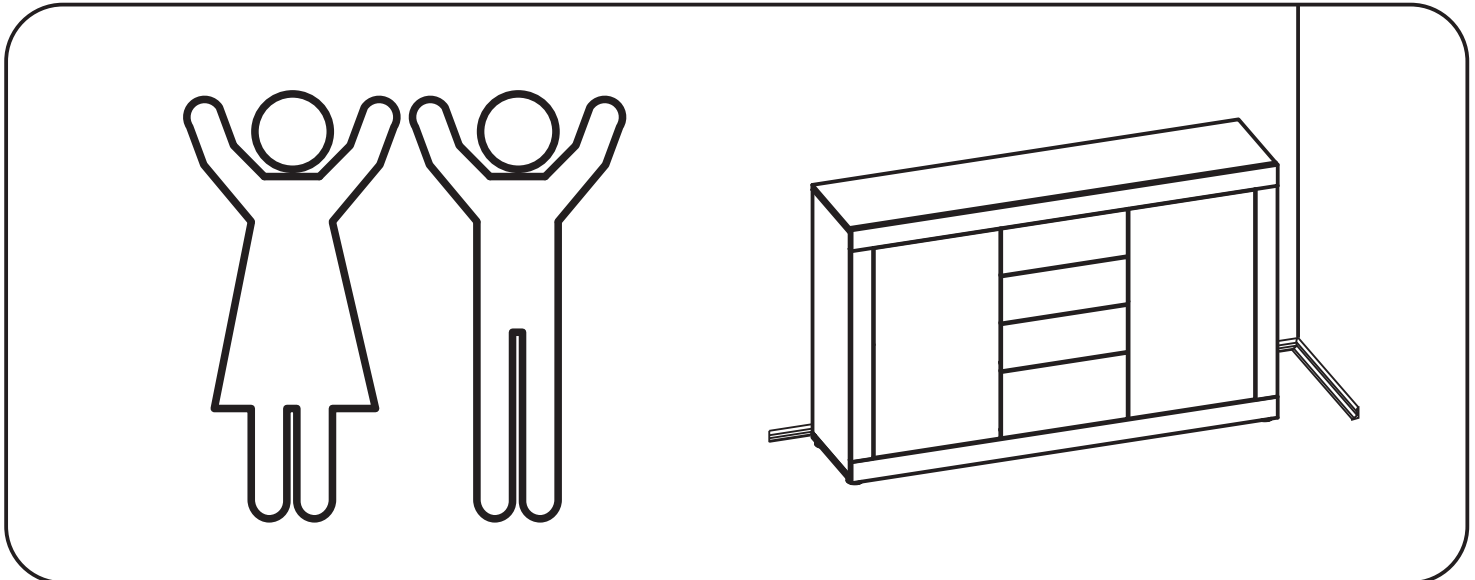
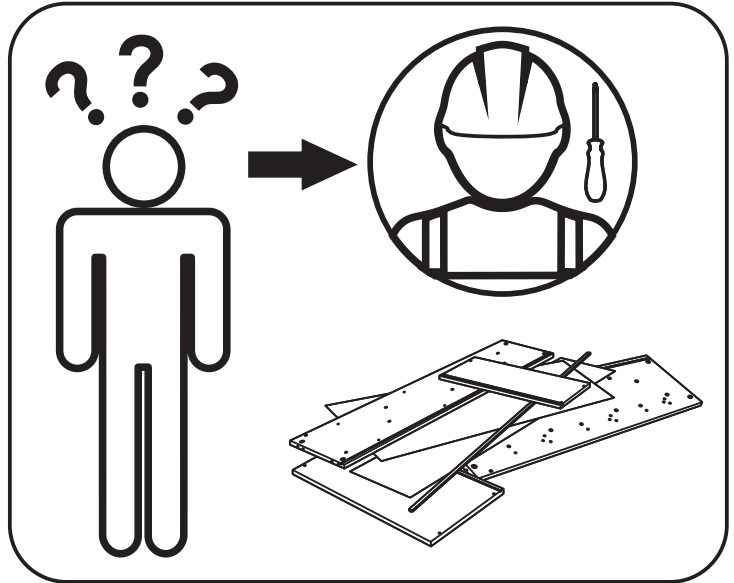
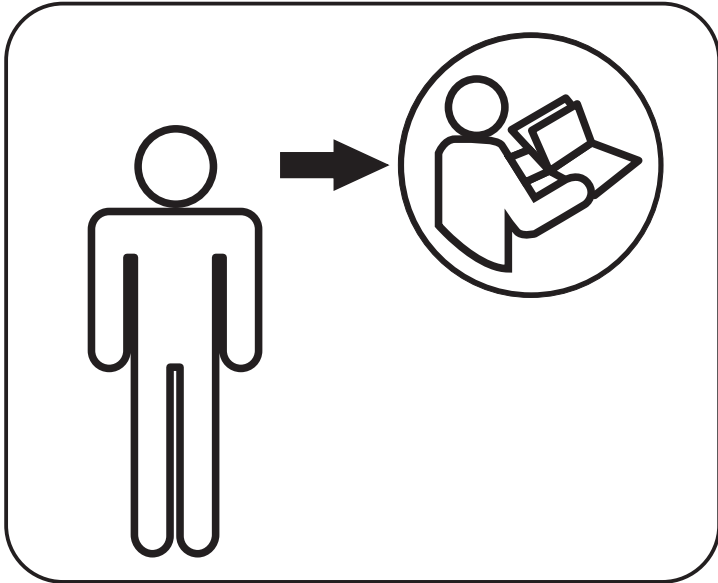
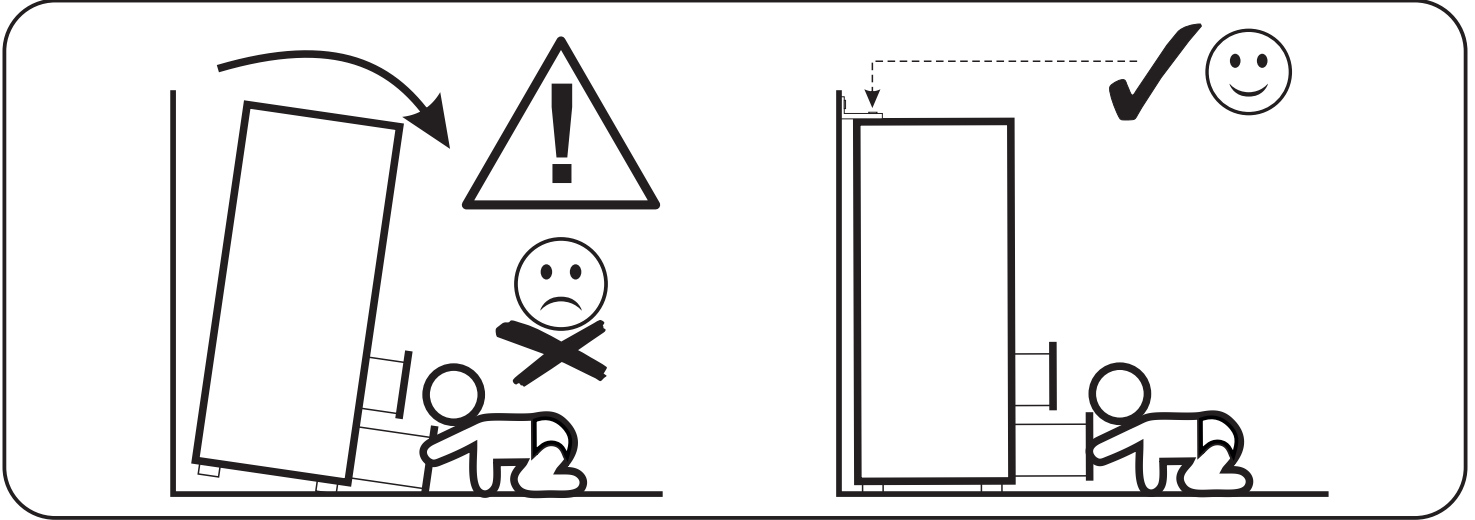
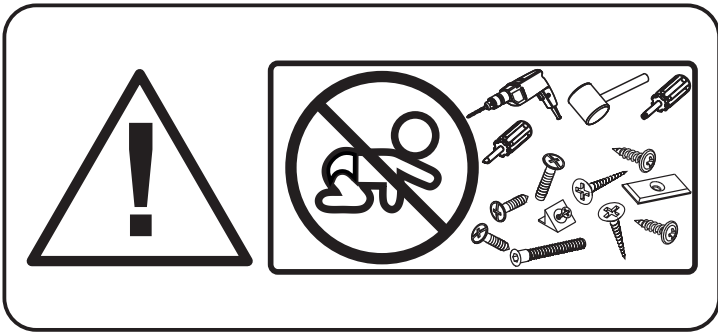


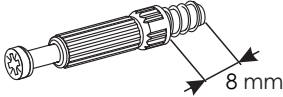
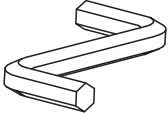
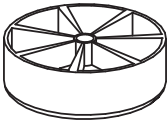

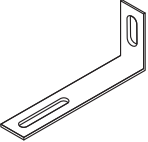
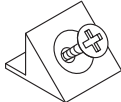
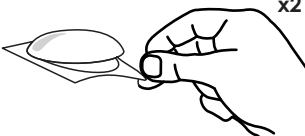
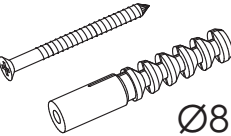
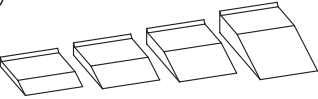
59 ▶

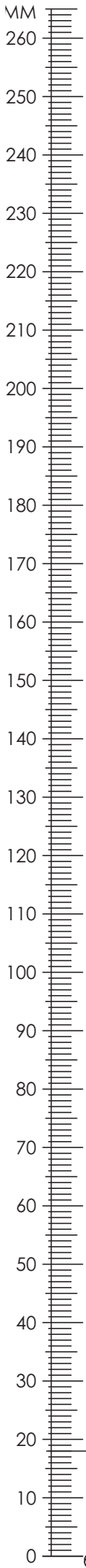


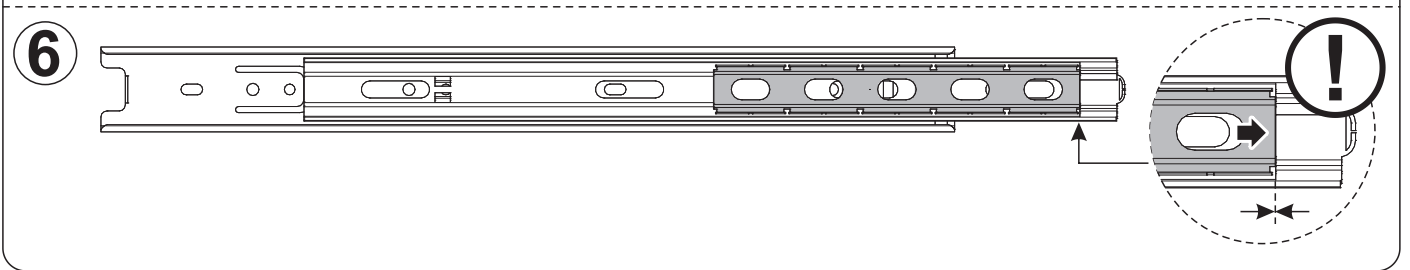
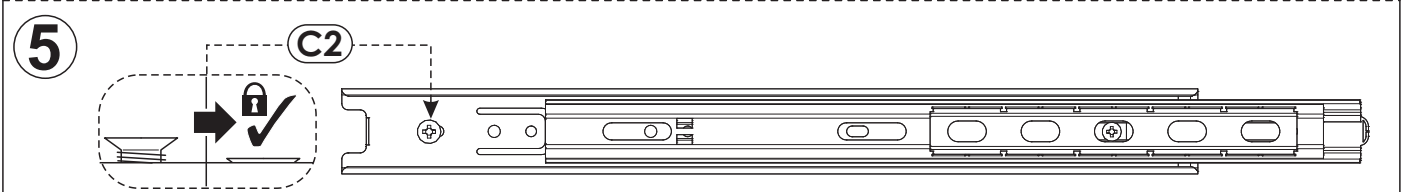
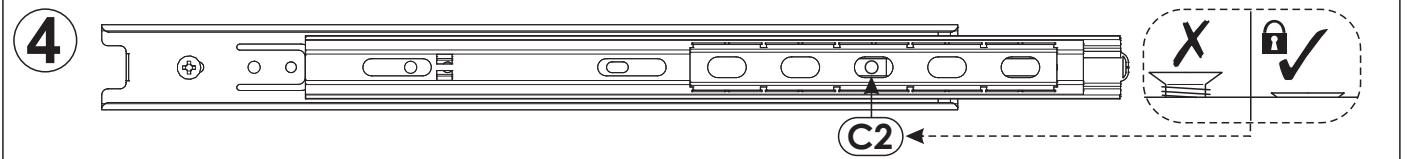
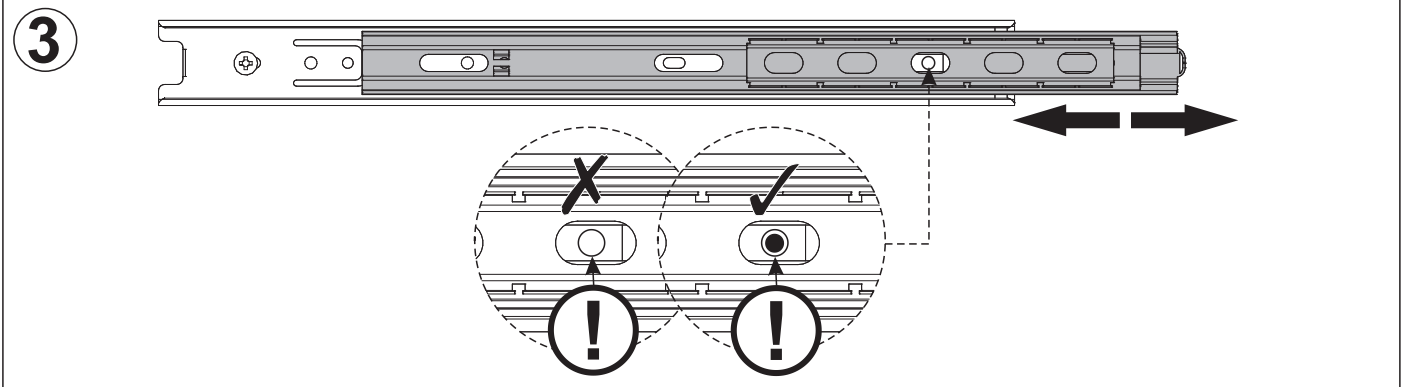
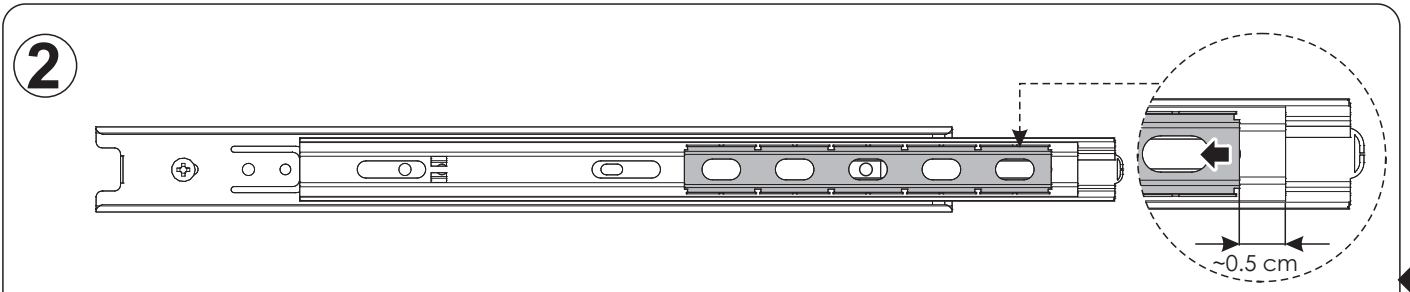
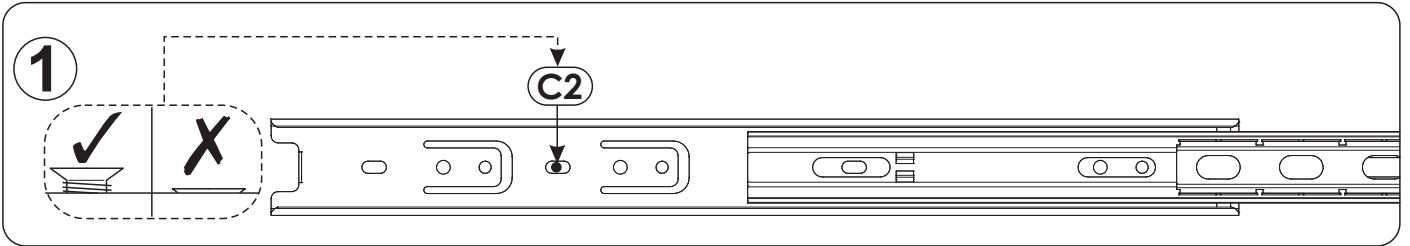
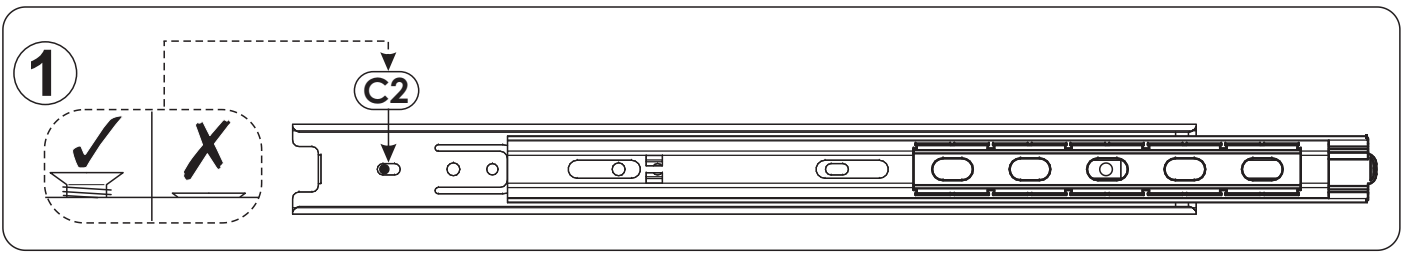


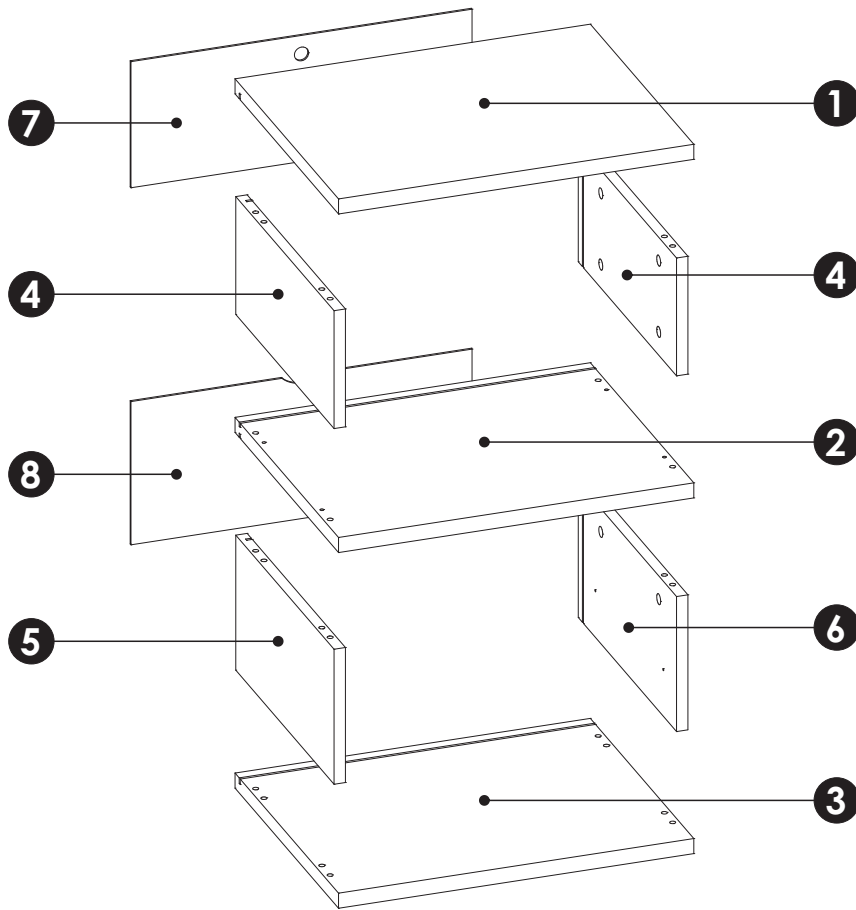
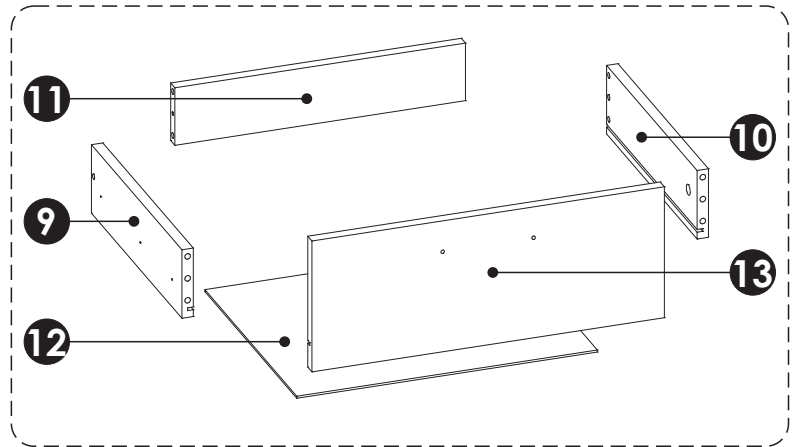




| | | | | | | | | |
|------------|---|-----|------------|---|-----|------------|---|----|
| A1 | 8 x 35 mm | x16 | A3 | 8 x 60 mm | x4 | C2 | 5 x 13 mm | x4 |
| E0 | Ø16 | x10 | E1 | 15 x 12 mm | x14 | F0 |  | x8 |
| F1 | 6 x 34 mm | x6 | G1 | 7 x 50 mm | x2 | G2 | 7 x 60 mm | x4 |
| H1 | L-150 mm | x1 | I2 | 4 x 16 mm | x1 | I3 | 3,5 x 22 mm | x4 |
| I12 | 4 x 27 mm | x2 | M |  | x1 | N1 | 3 x 16 mm | x5 |
| N5 | 3,5 x 16 mm | x6 | O1 |  | x4 | P15 |  | x1 |
| PW | L - 350 mm | x2 | Q9 |  | x1 | R4 |  | x7 |
| R8 |  | x2 | S13 |  | x1 | Z |  | x1 |

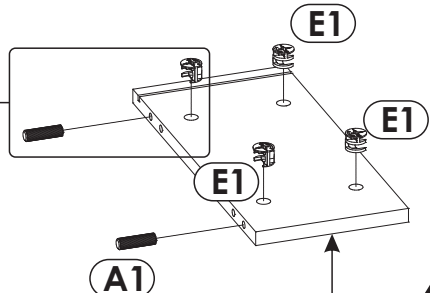
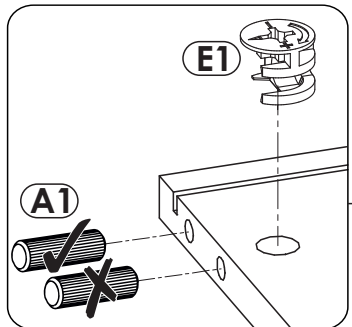
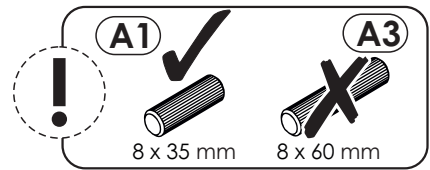
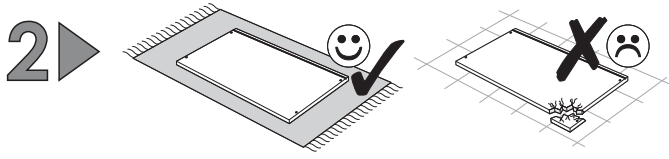
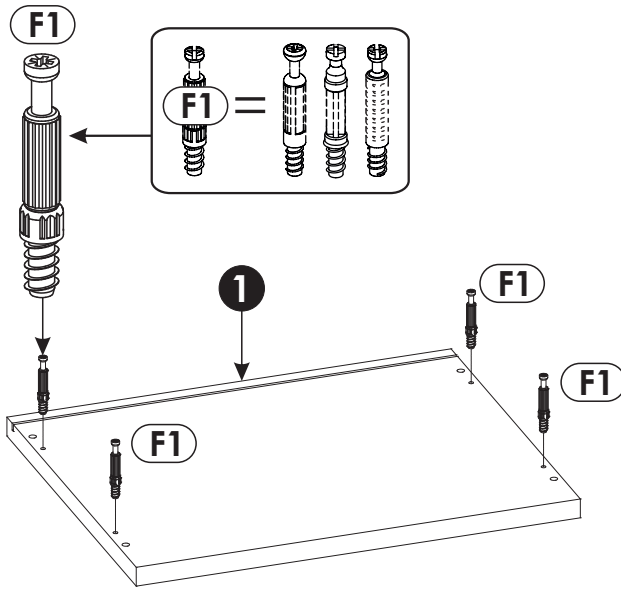
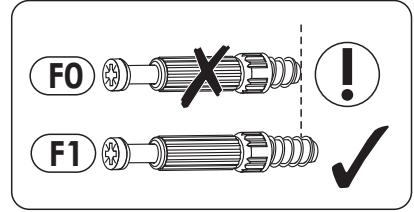
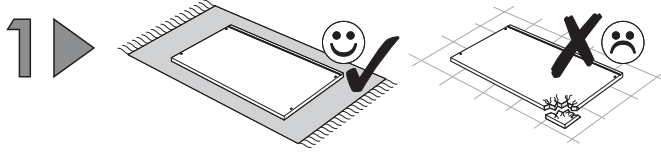
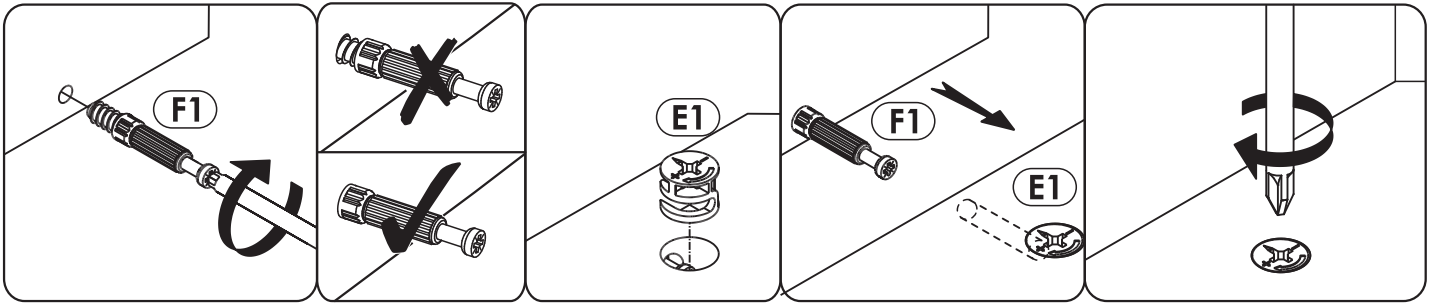




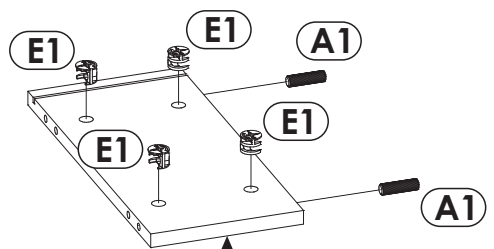


| | | | | | |
|----------|-----|-----|----|----|-----|
| 1 | 500 | 400 | 22 | x1 | 1/1 |
| 2 | 500 | 400 | 22 | x1 | 1/1 |
| 3 | 500 | 400 | 22 | x1 | 1/1 |
| 4 | 172 | 380 | 16 | x2 | 1/1 |
| 5 | 197 | 380 | 16 | x1 | 1/1 |
| 6 | 197 | 380 | 16 | x1 | 1/1 |
| 7 | 184 | 480 | 3 | x1 | 1/1 |

| | | | | | |
|-----------|-----|-----|----|----|-----|
| 8 | 209 | 480 | 3 | x1 | 1/1 |
| 9 | 350 | 100 | 16 | x1 | 1/1 |
| 10 | 350 | 100 | 16 | x1 | 1/1 |
| 11 | 409 | 84 | 16 | x1 | 1/1 |
| 12 | 423 | 355 | 3 | x1 | 1/1 |
| 13 | 496 | 191 | 16 | x1 | 1/1 |

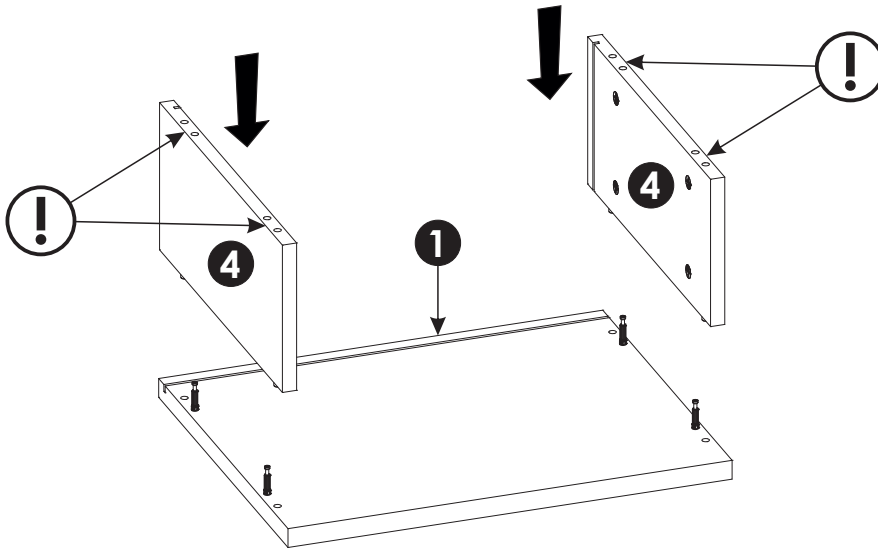
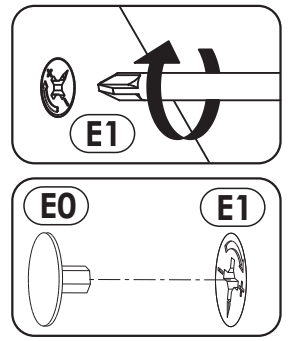
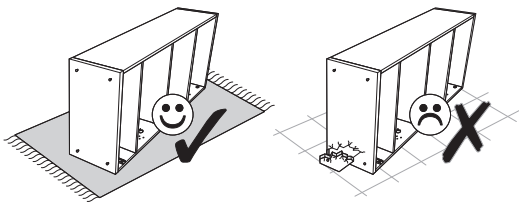


4x1

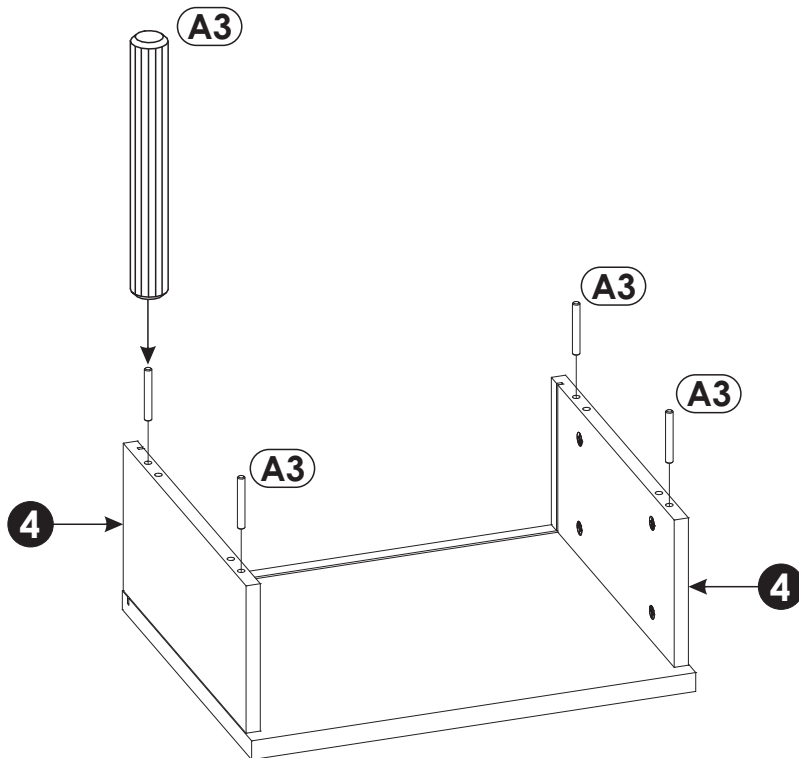
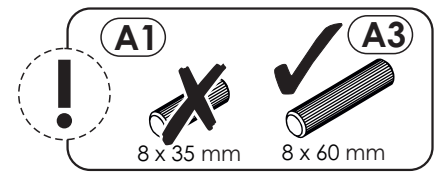
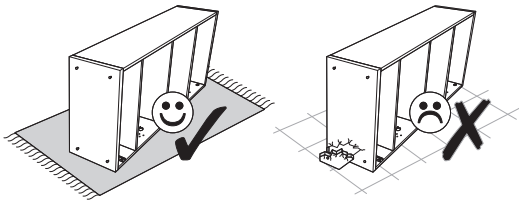


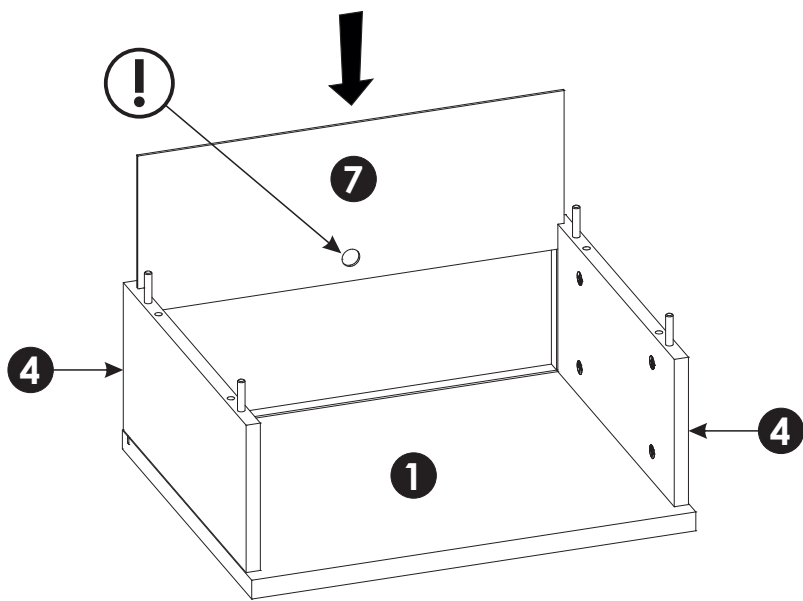
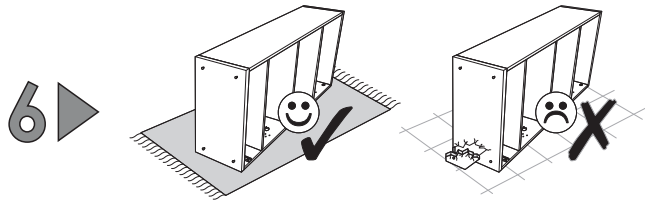
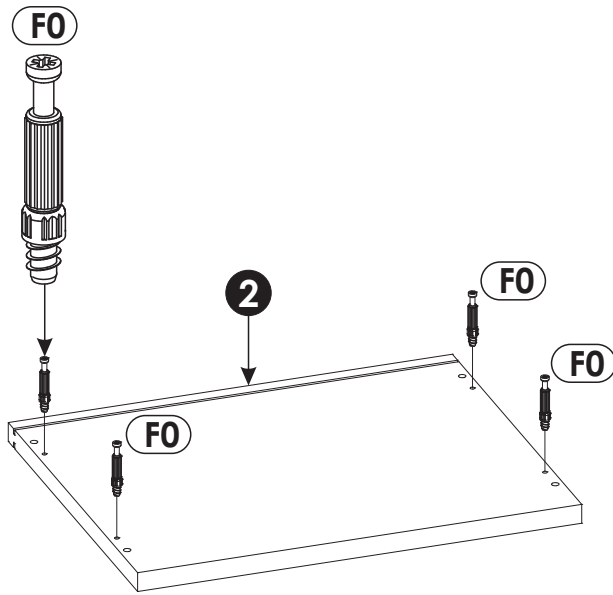
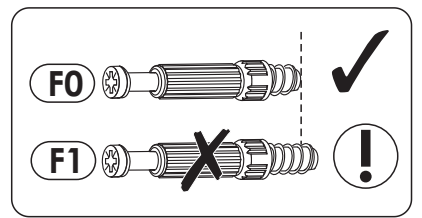
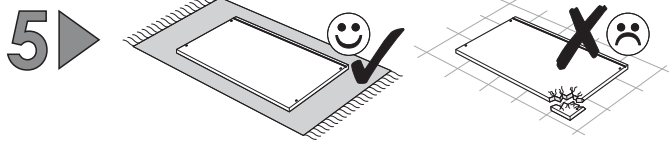
4x1

3 ▶

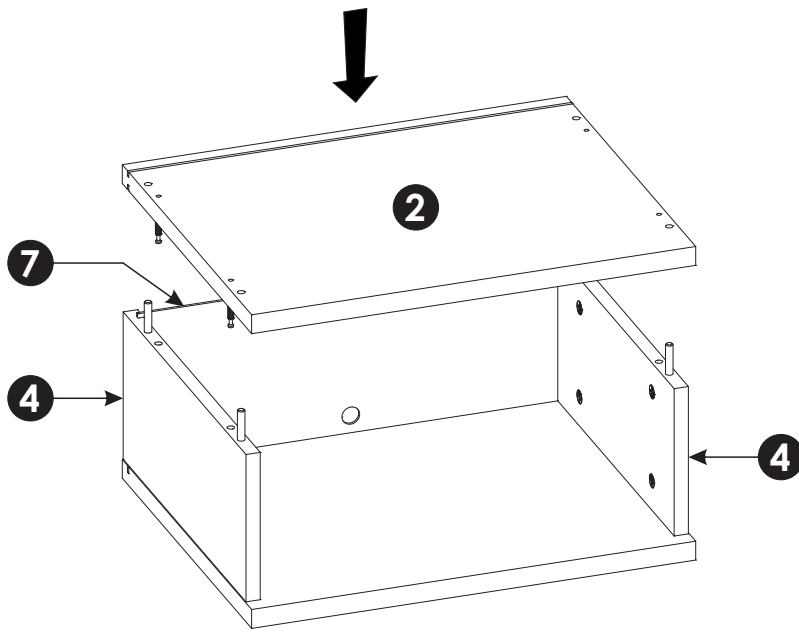
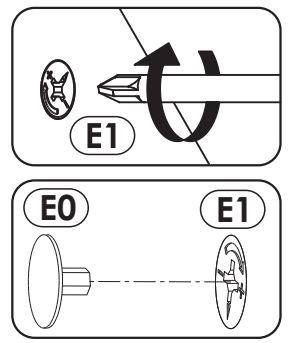
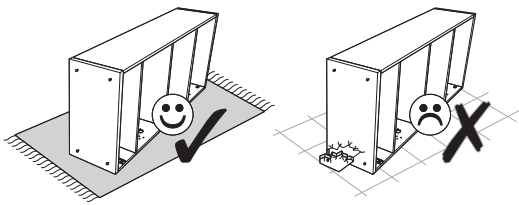


4 ▶

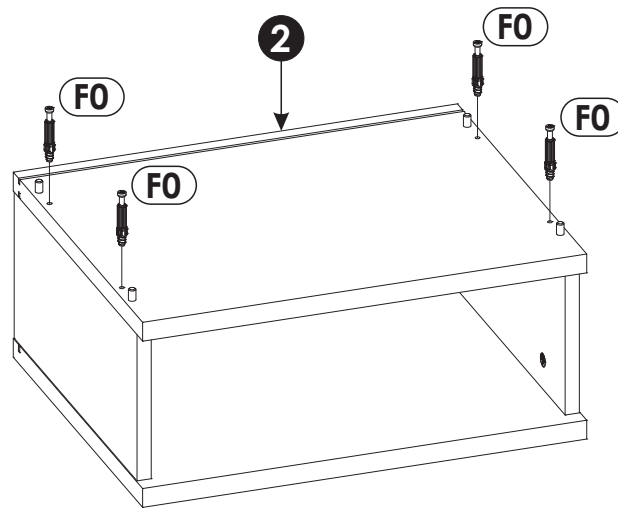
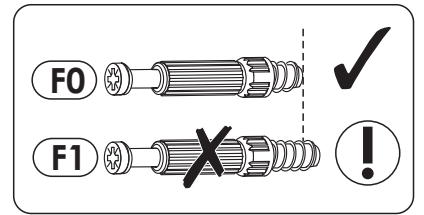
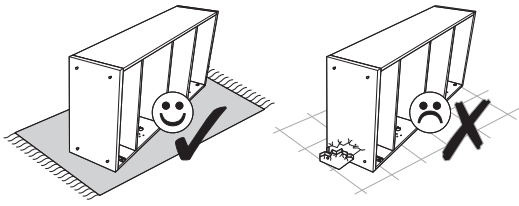


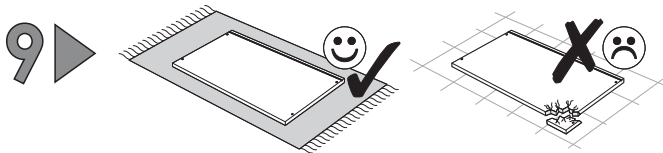
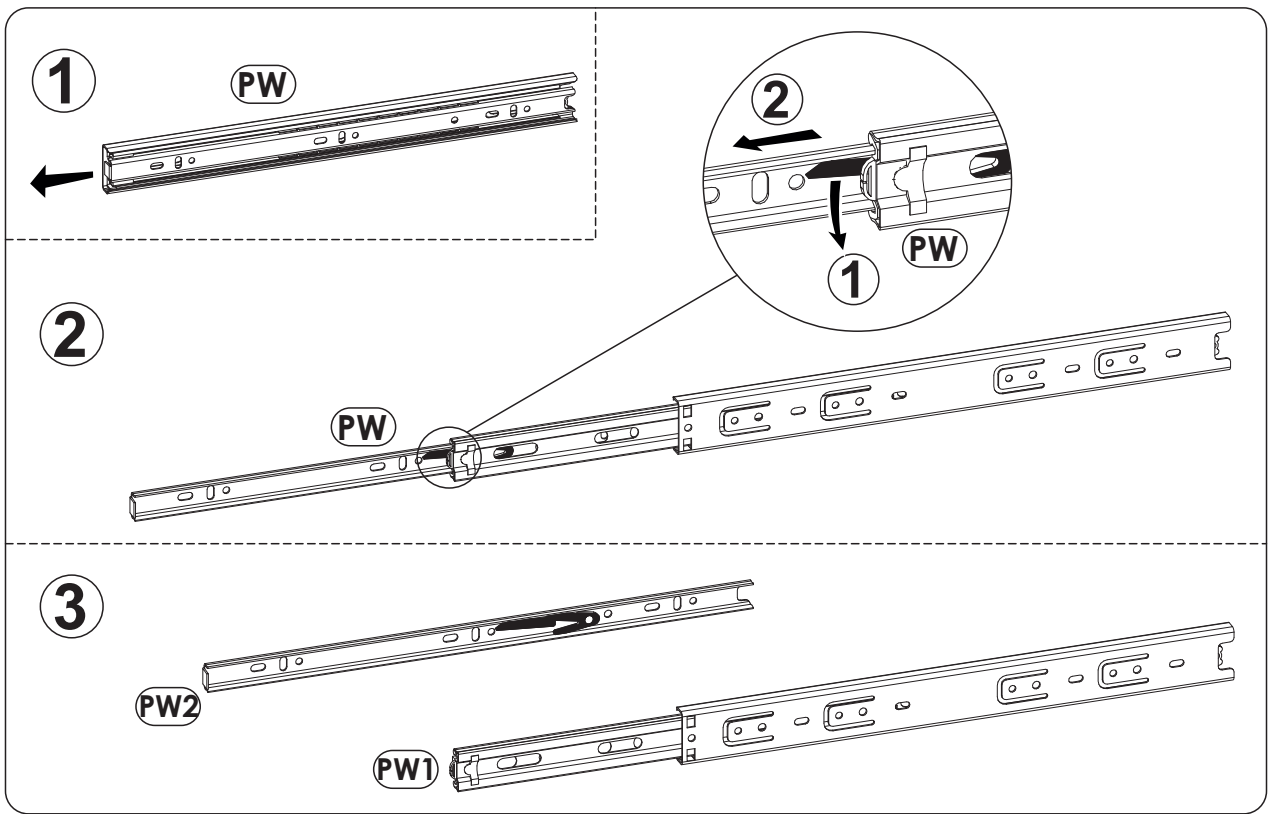


7 ▶

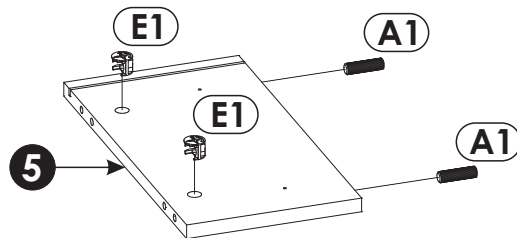


8 ▶

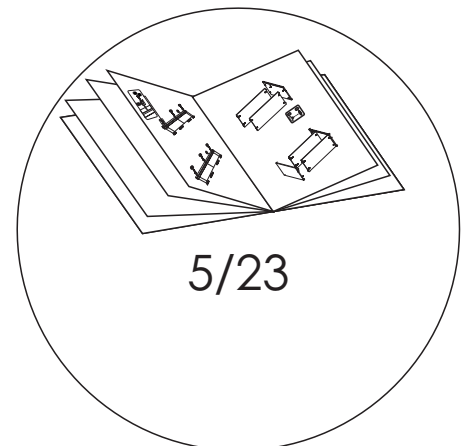
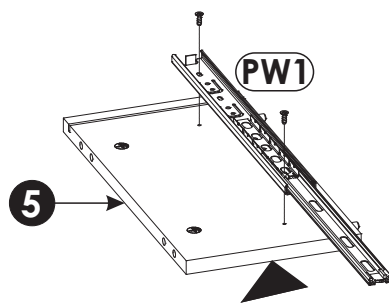


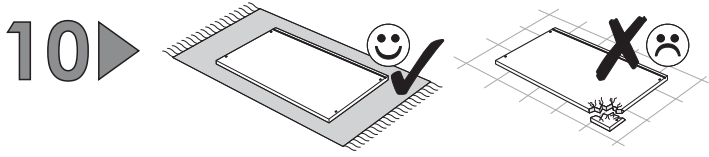


a)

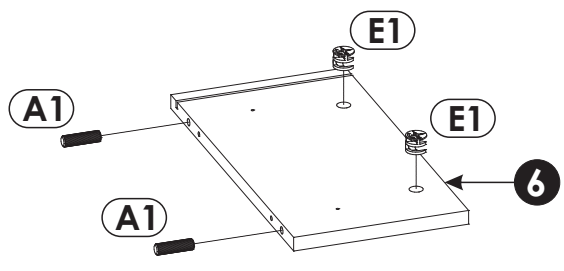


b)

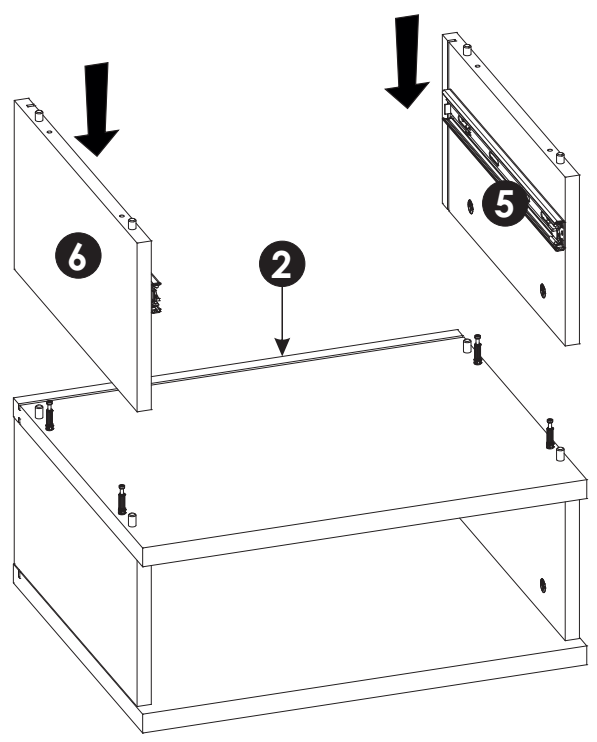
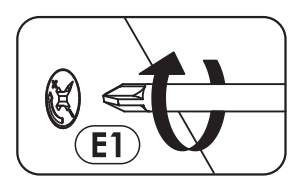
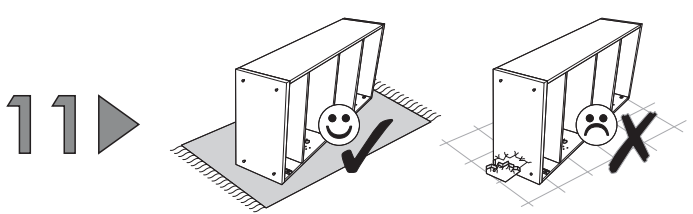
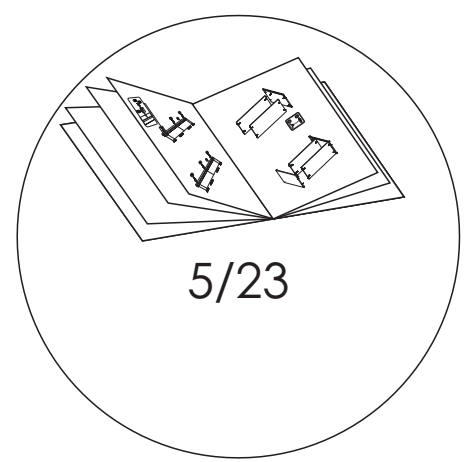
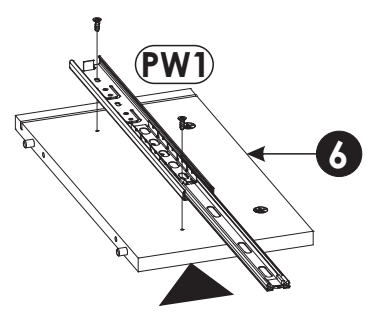




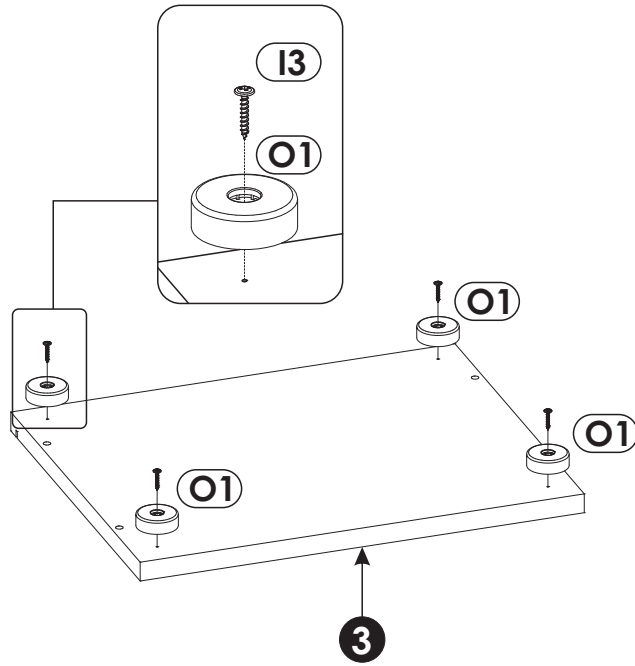
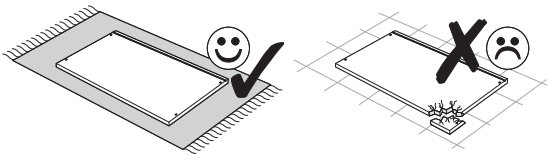
a)



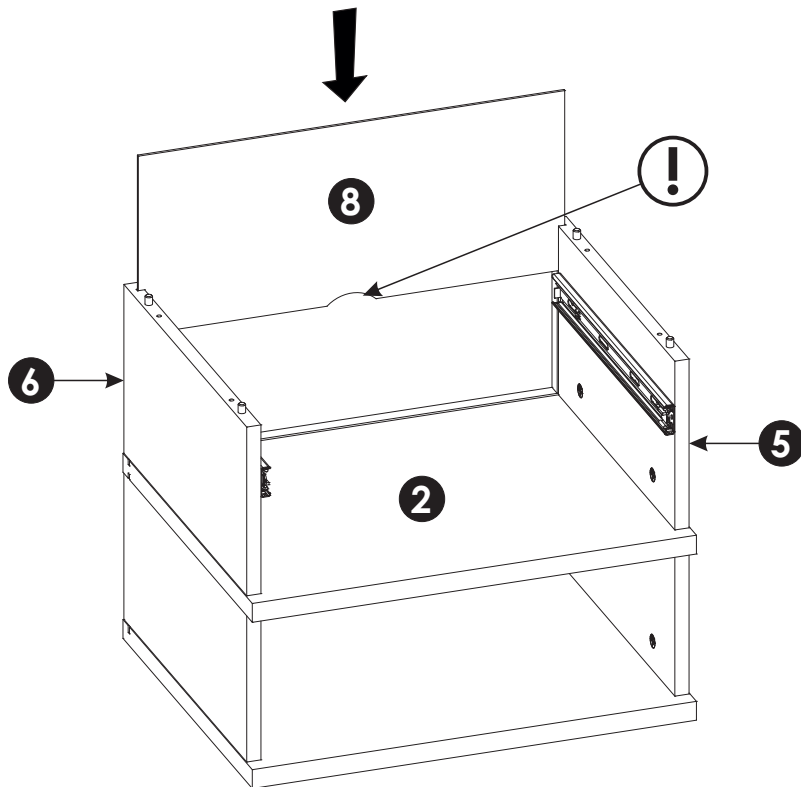
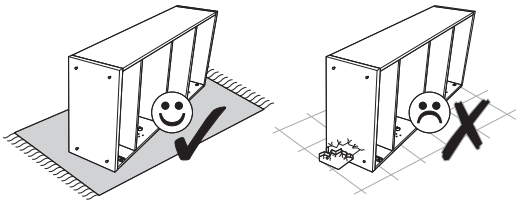
b)



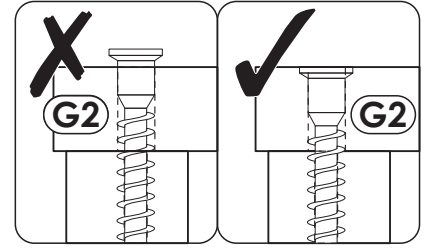
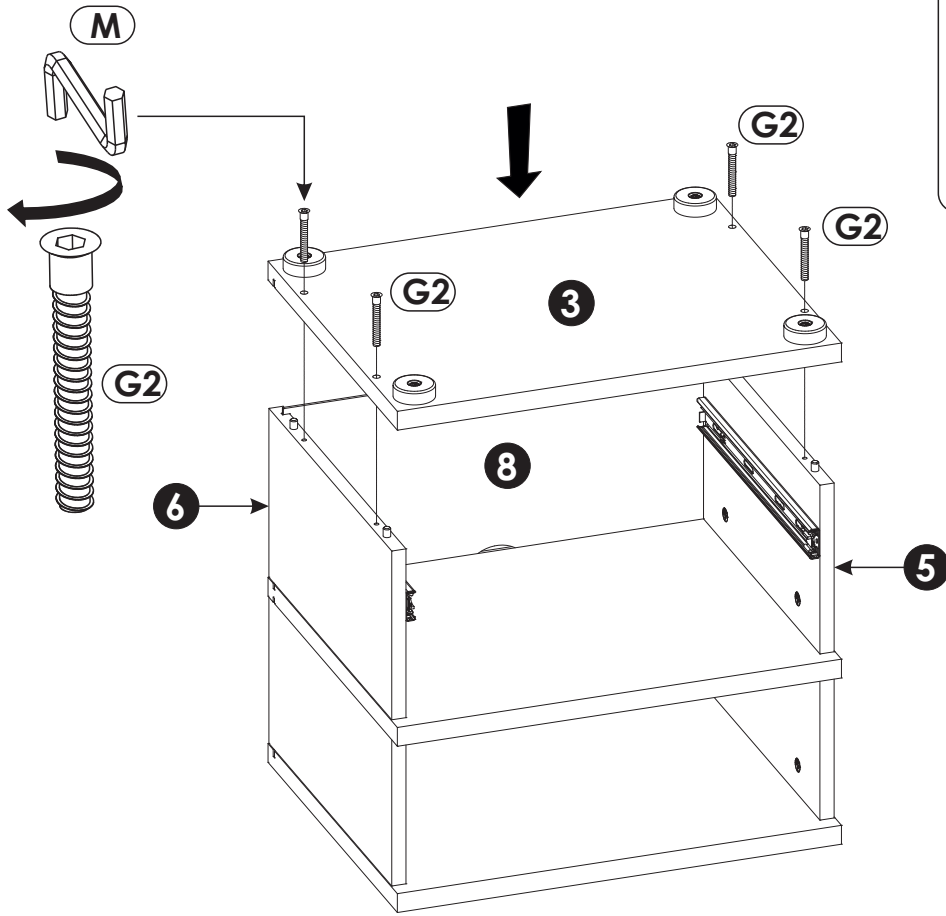
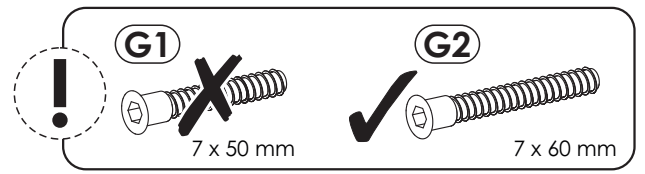
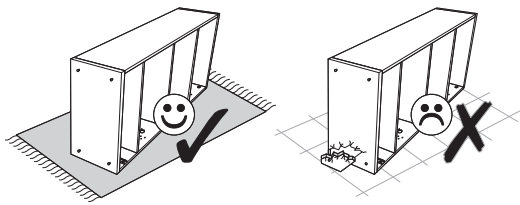
12 ▶



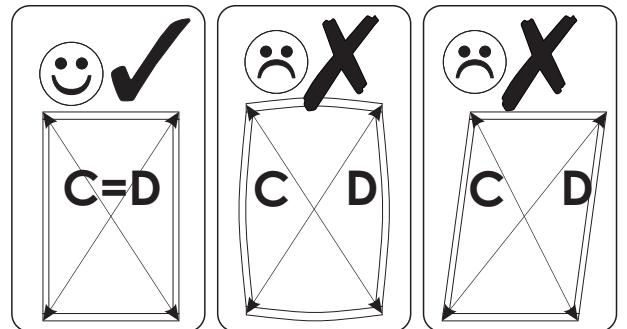
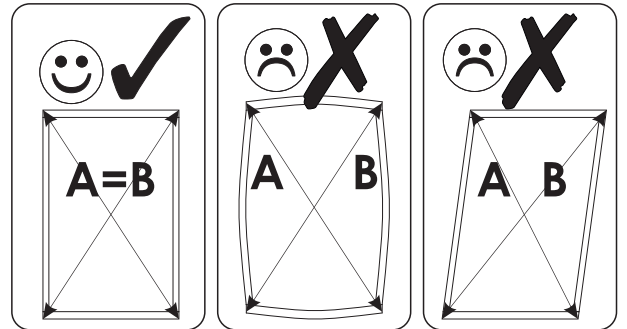
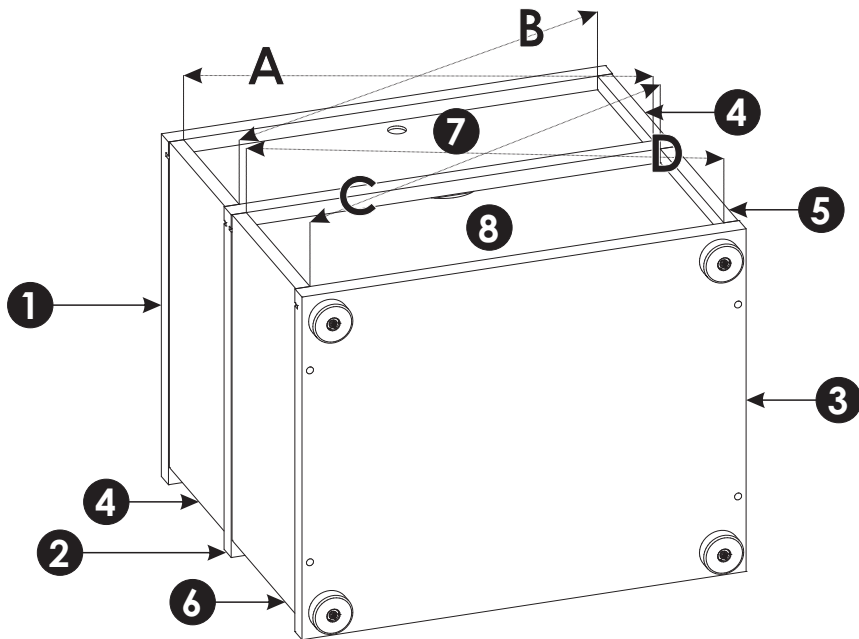
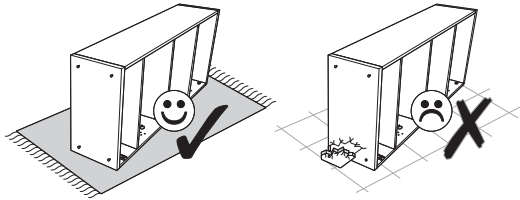
13 ▶



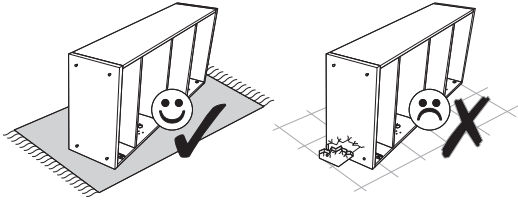
14 ▶



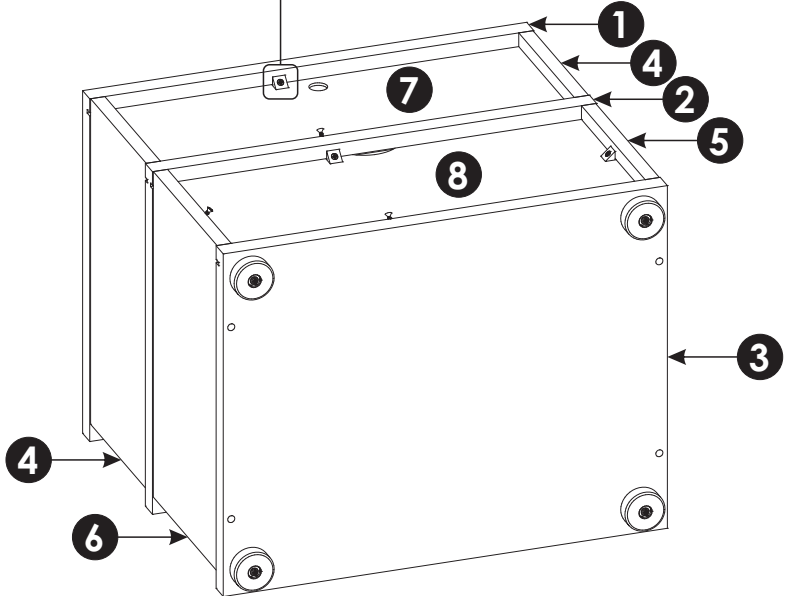
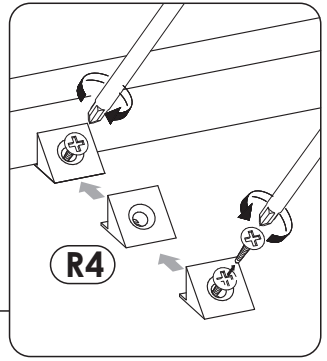
15 ▶

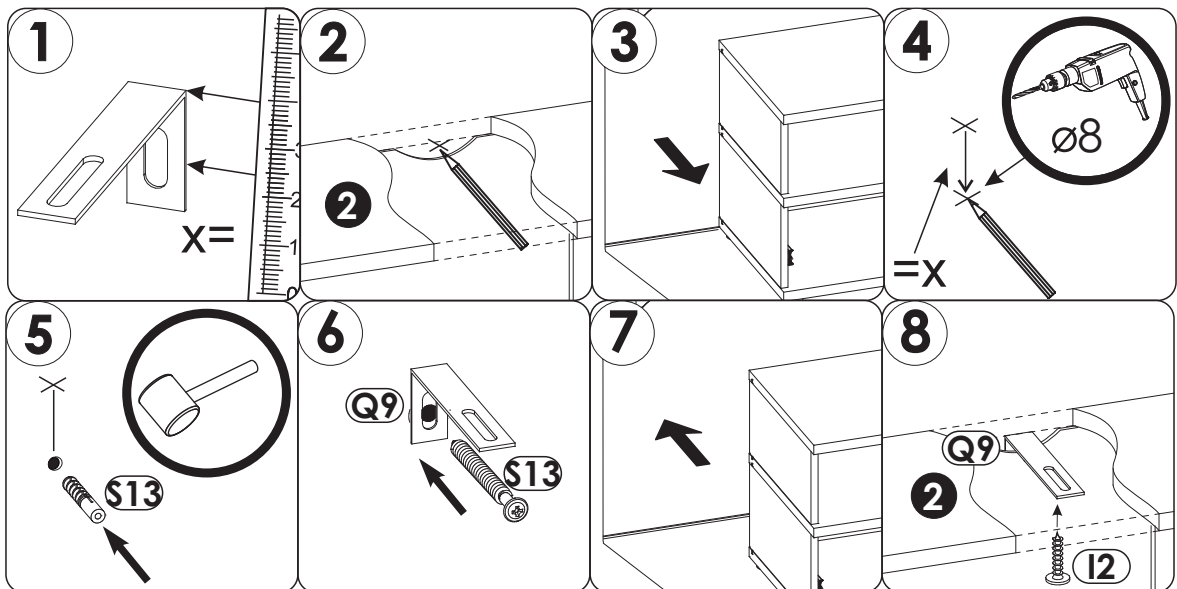
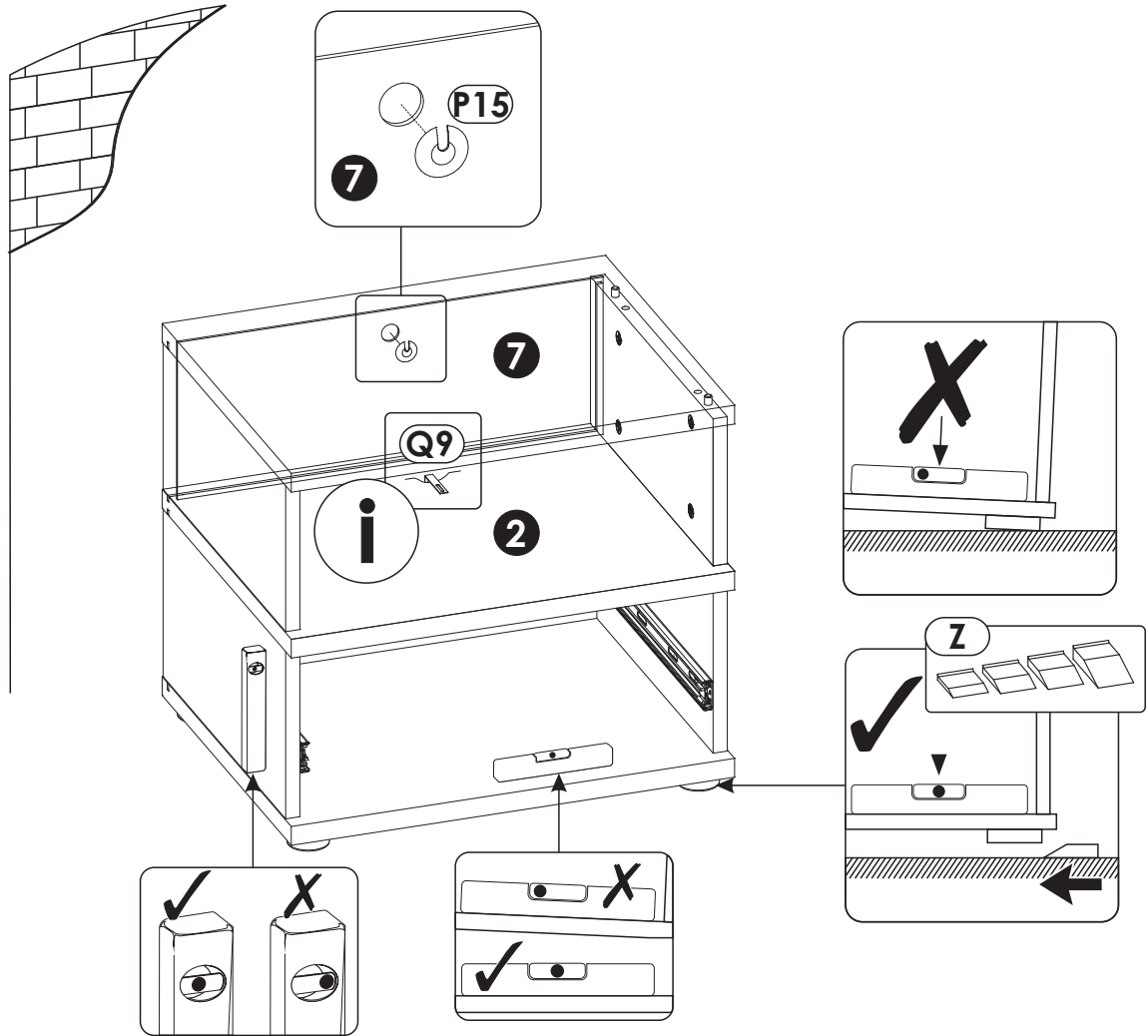
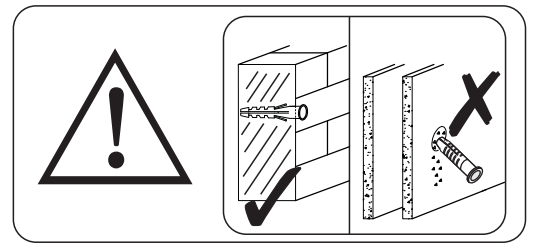


16 ▶

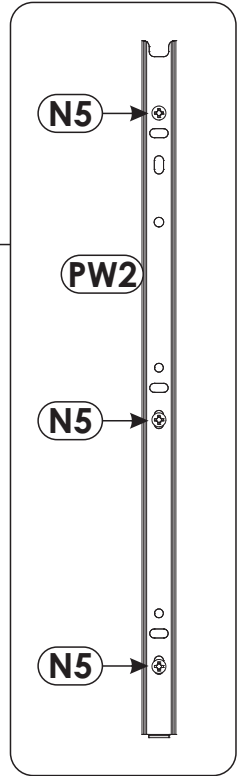
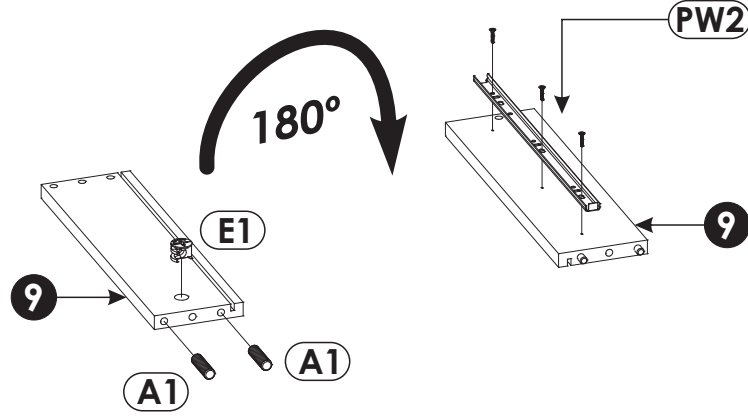
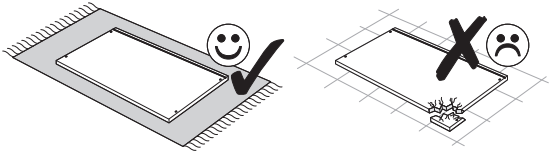


x6

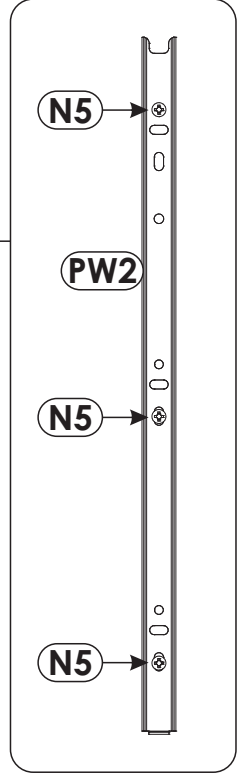
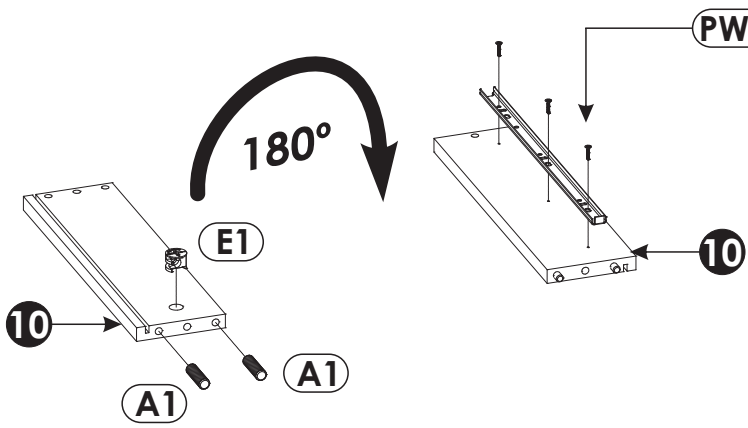
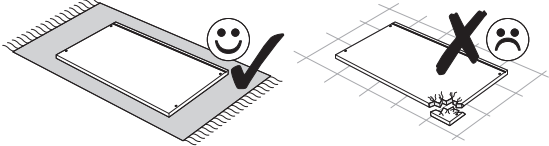




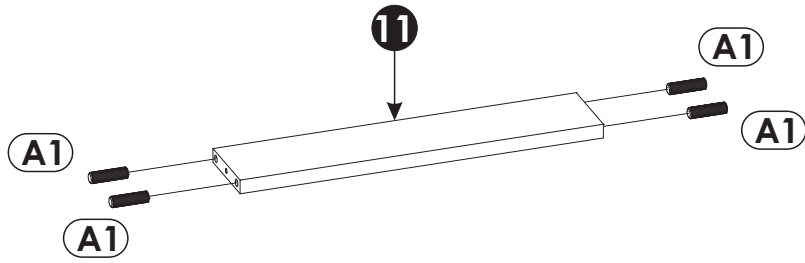
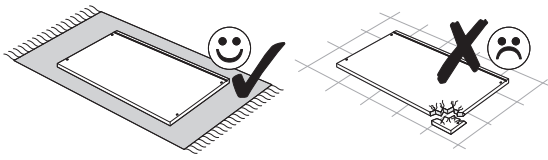
18 ▶



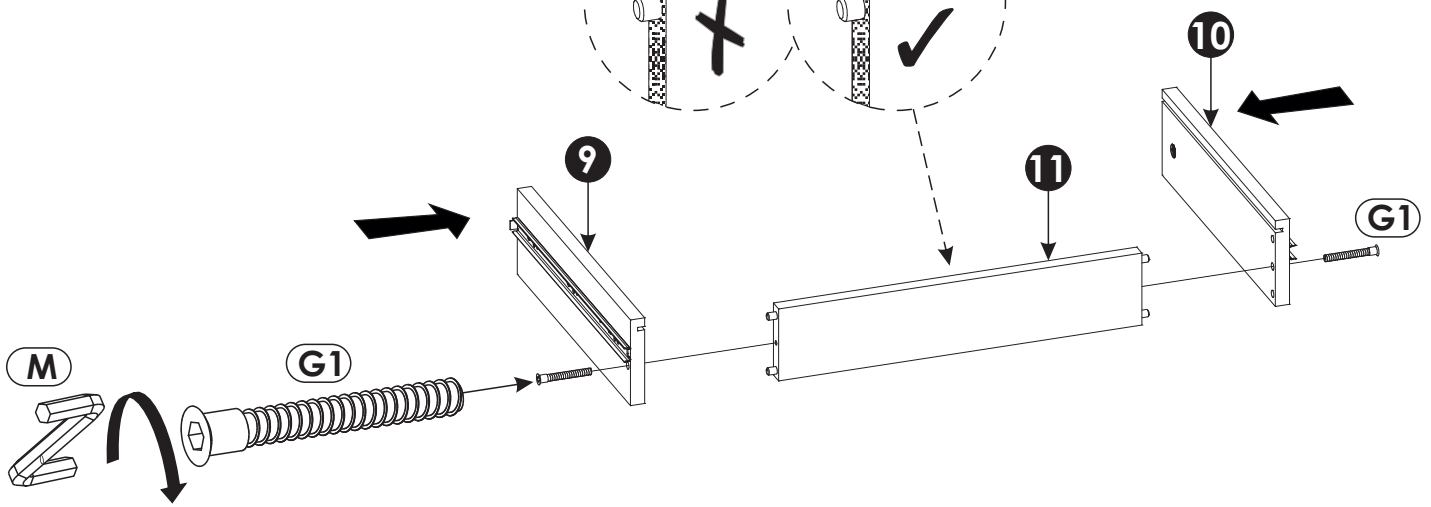
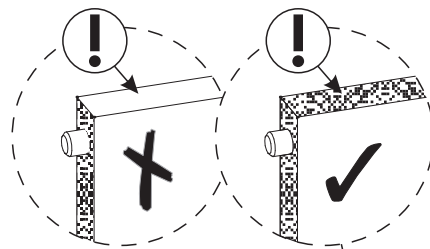
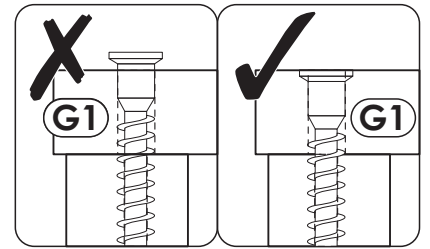
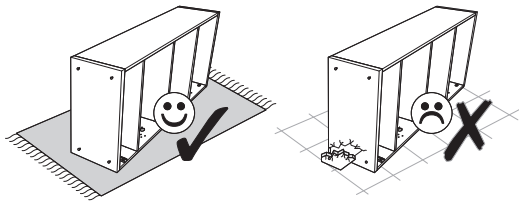
19 ▶



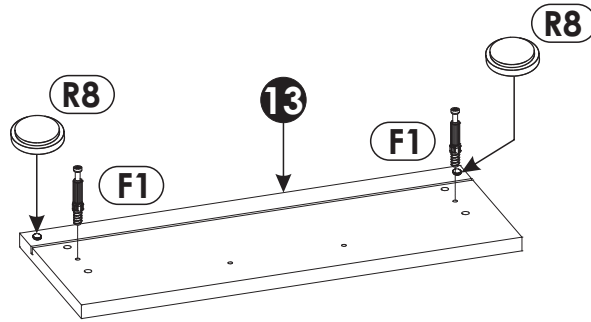
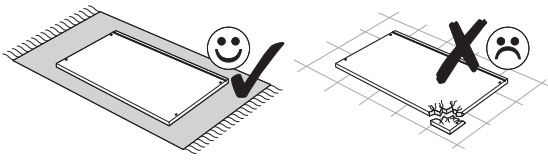
20 ▶



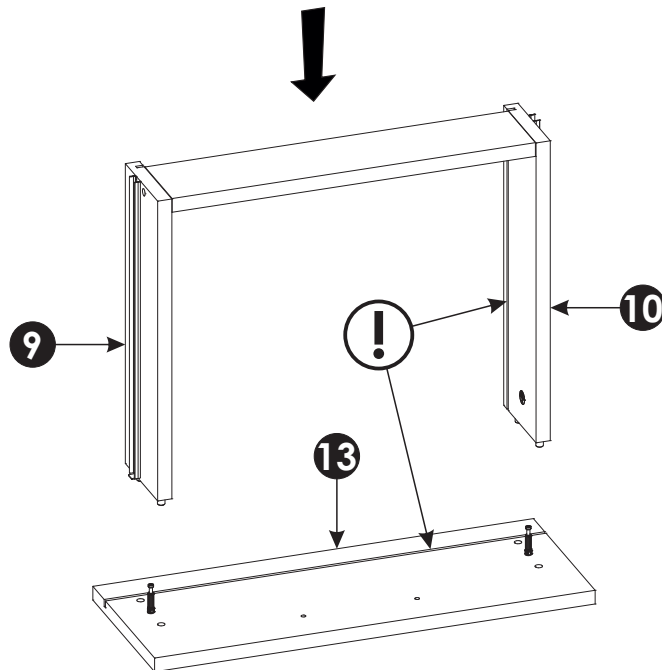
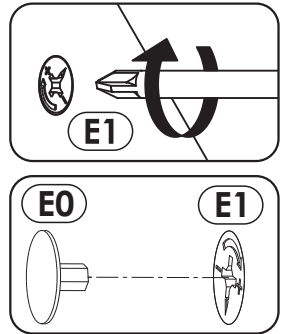
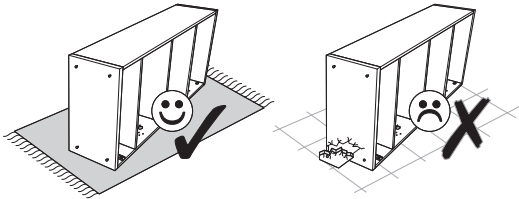
21 ▶



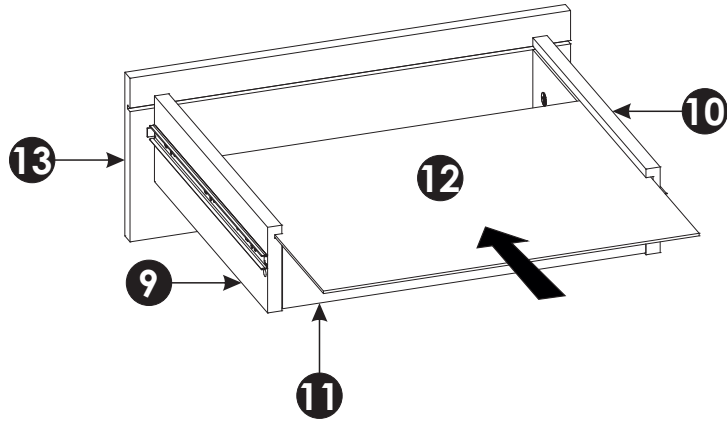
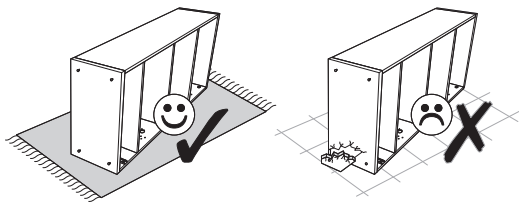
22 ▶



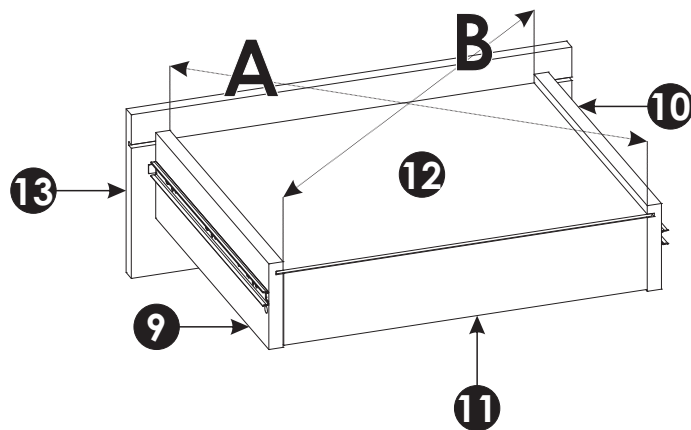
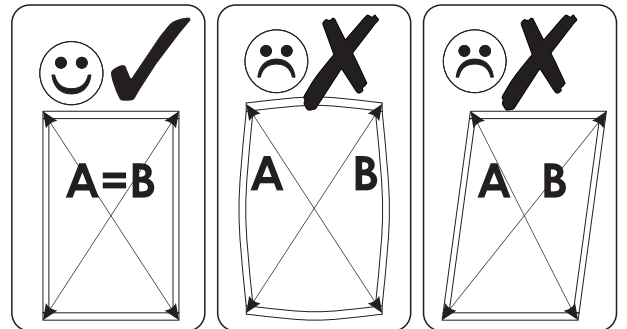
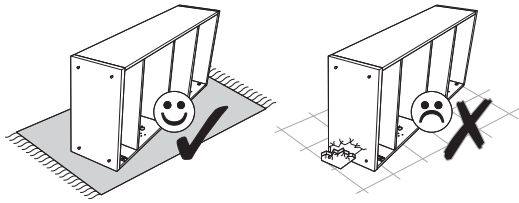
23 ▶



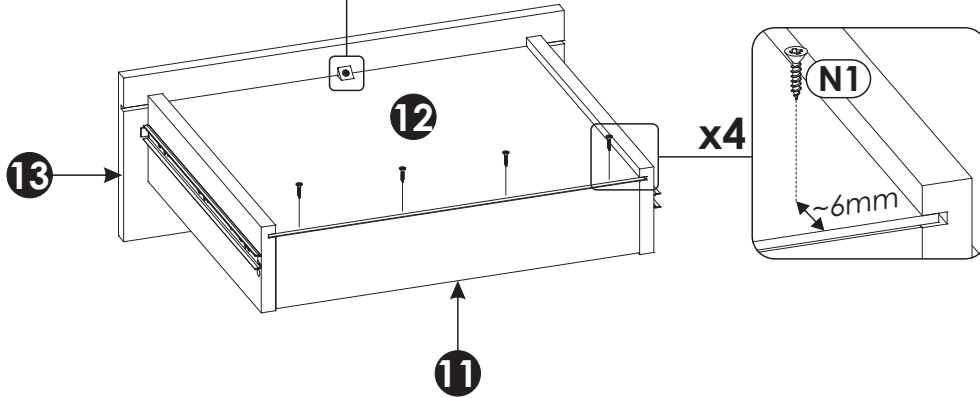
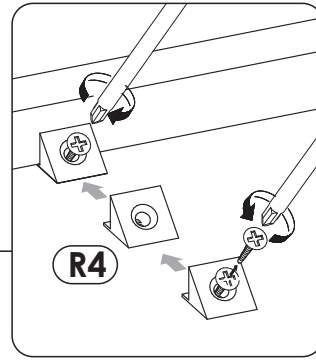
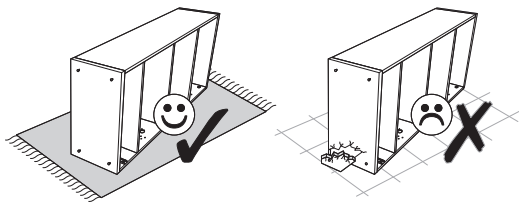
24 ▶



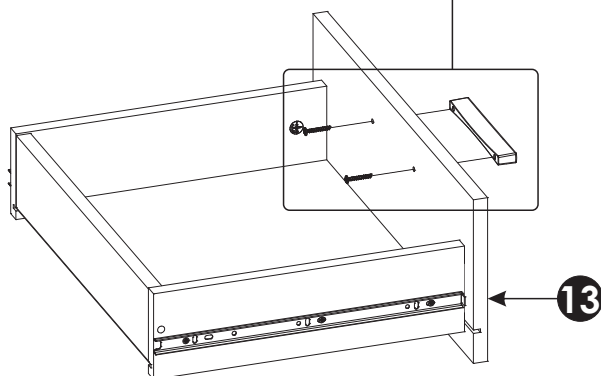
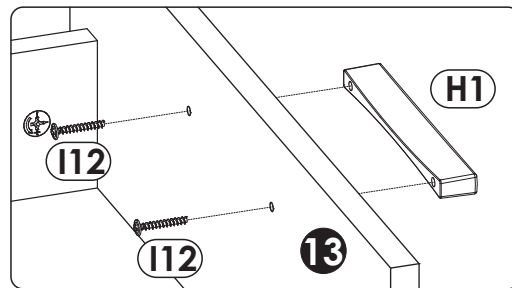
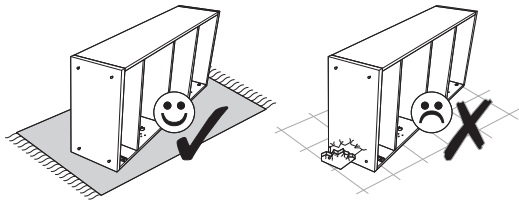
25 ▶



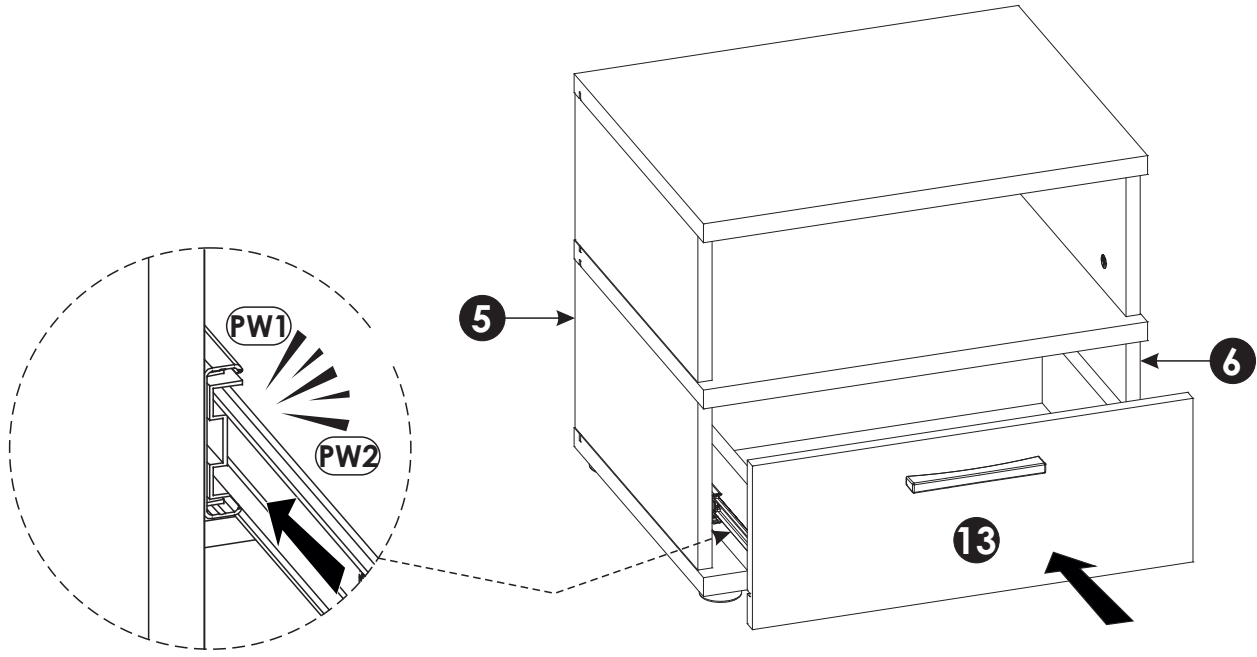
26 ▶



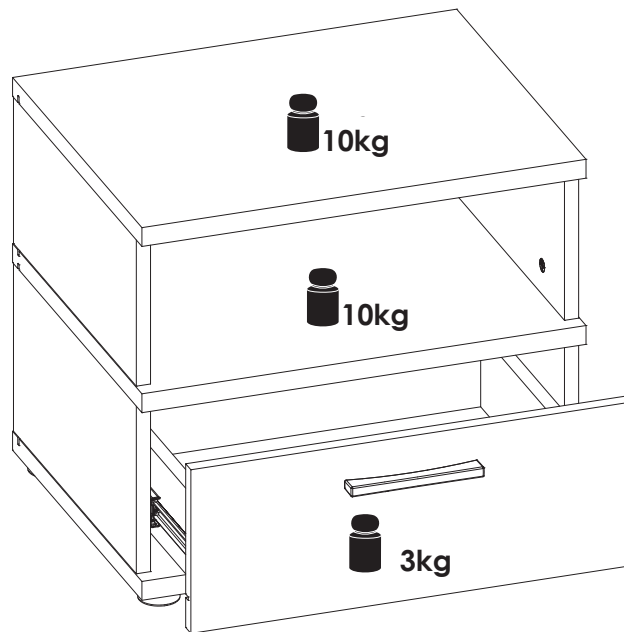
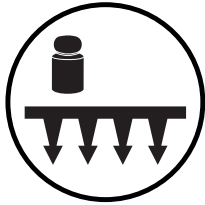
27 ▶

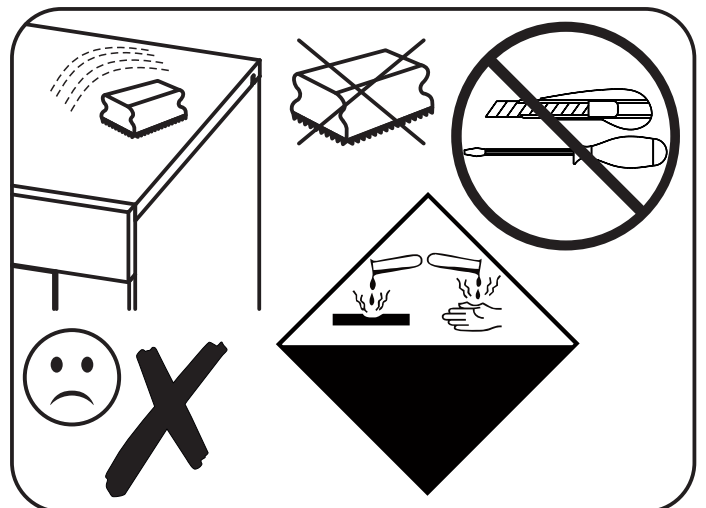
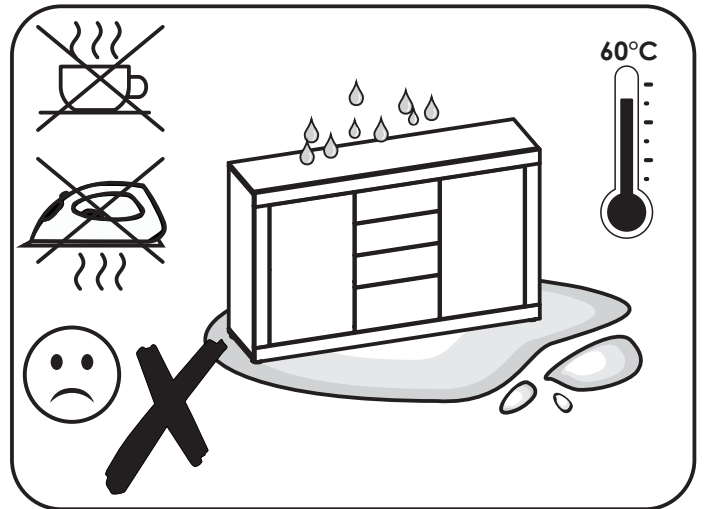
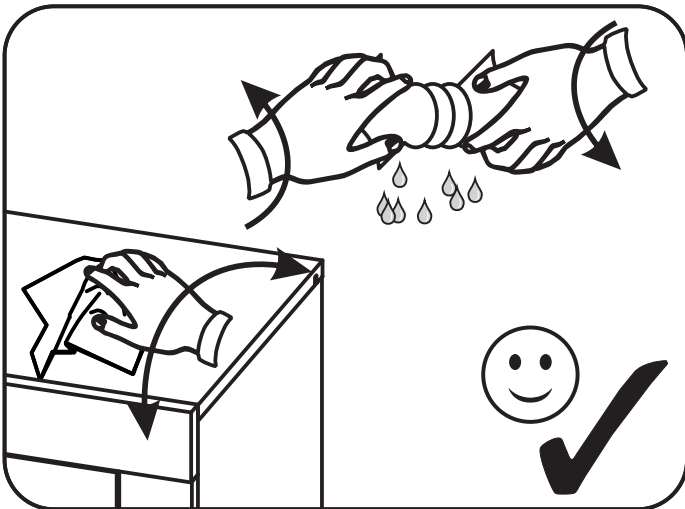
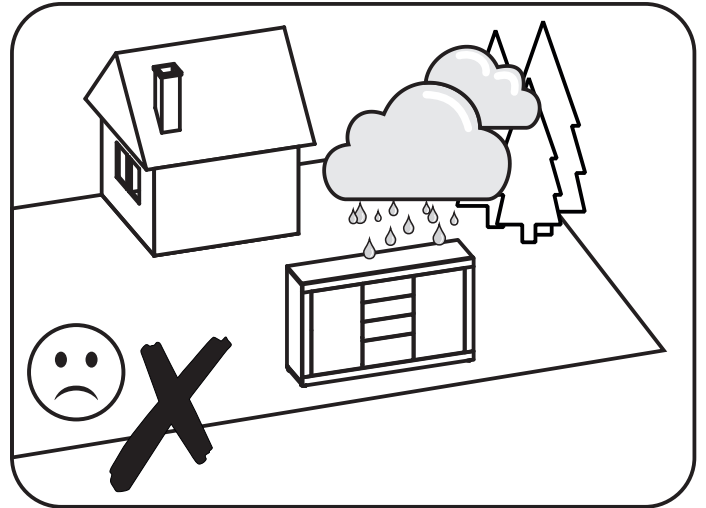
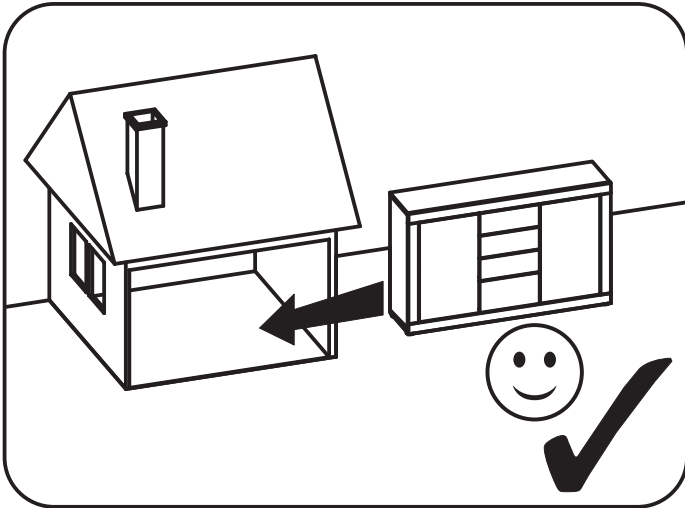


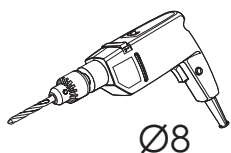
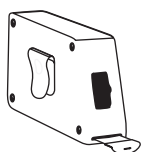
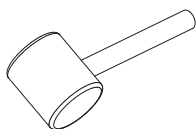
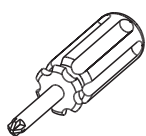
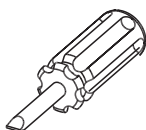
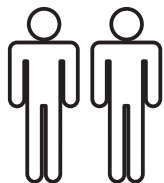
28▶



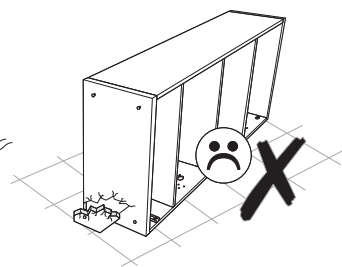
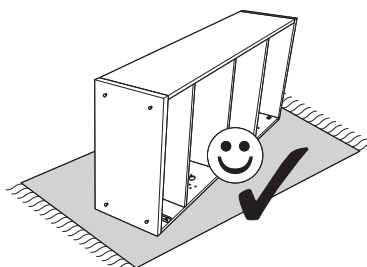
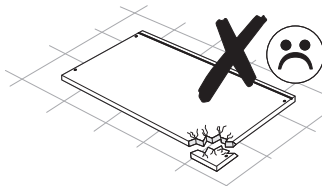
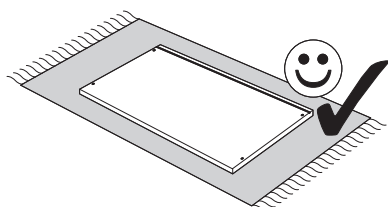
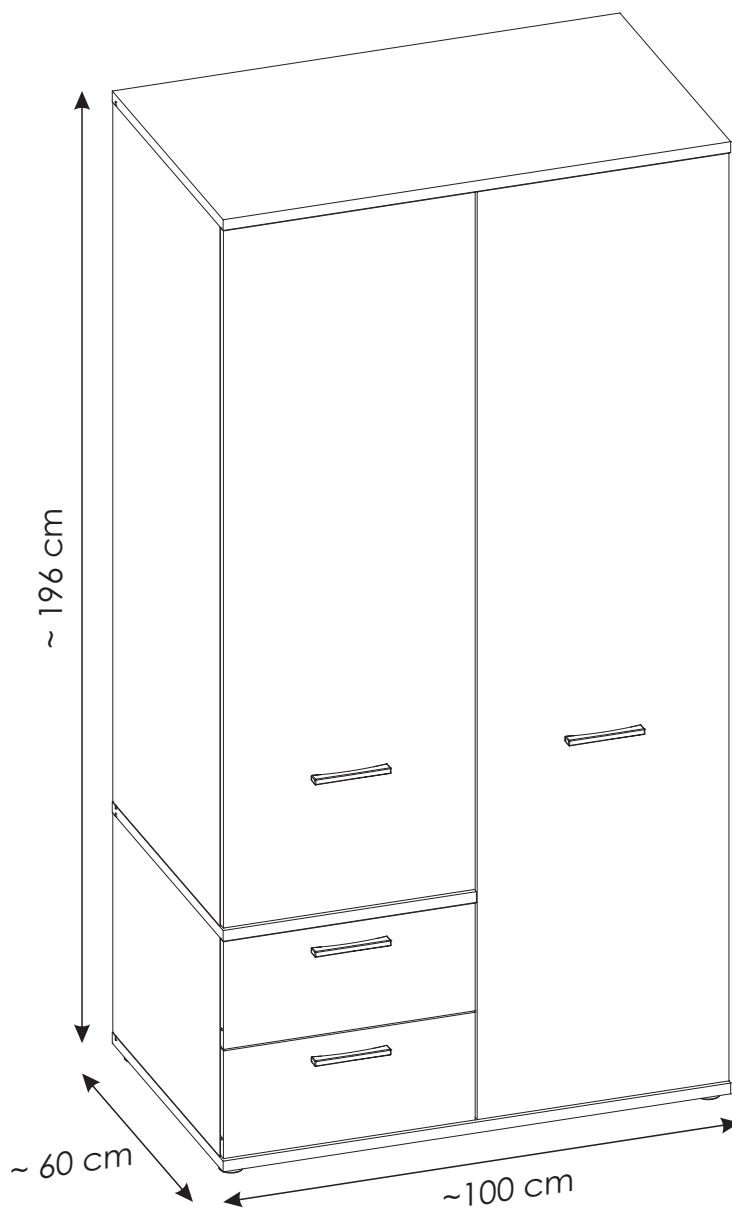
29▶

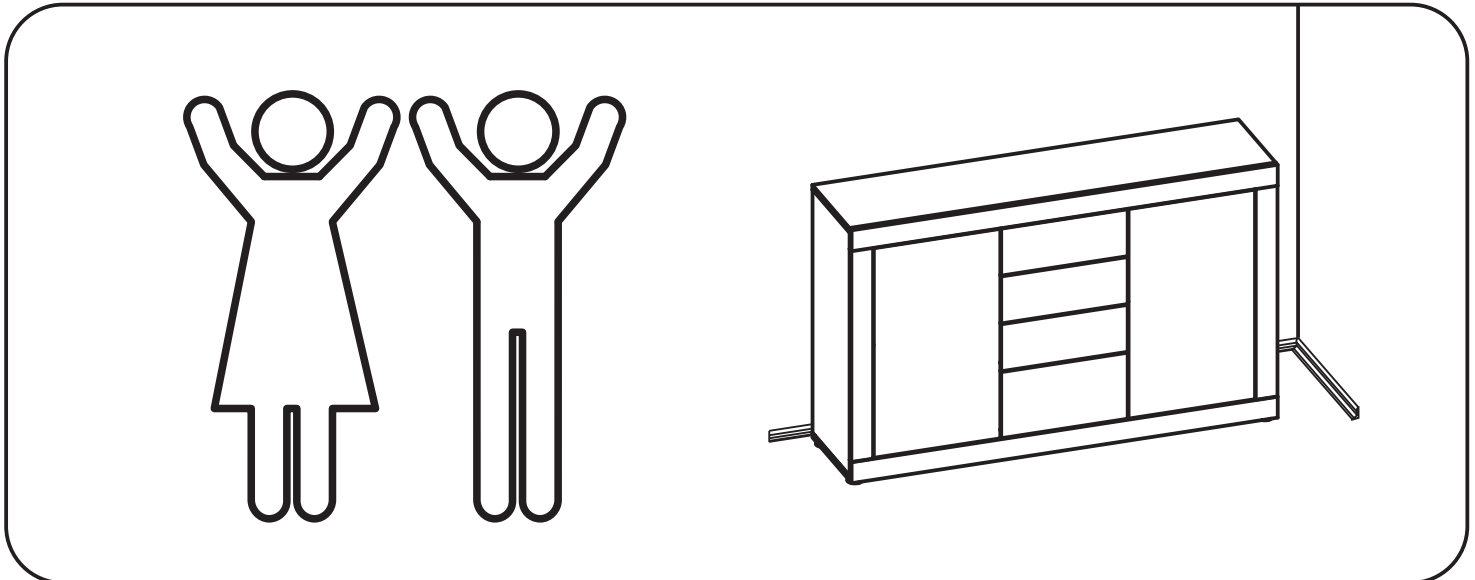
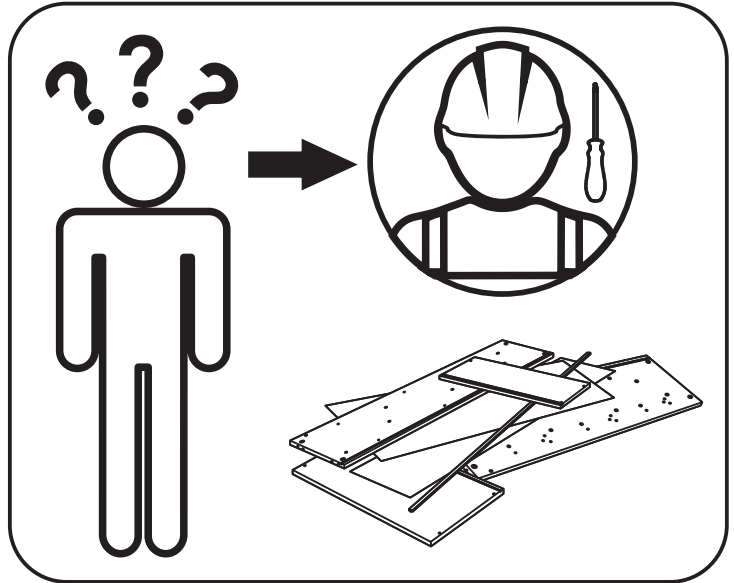
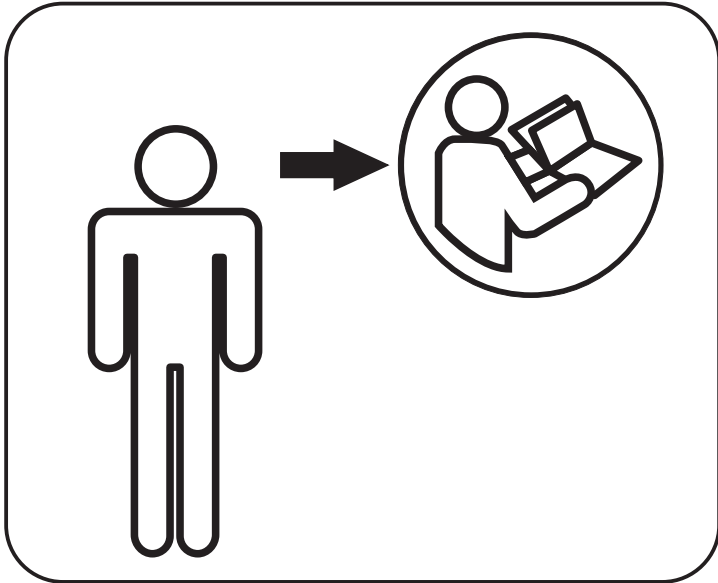
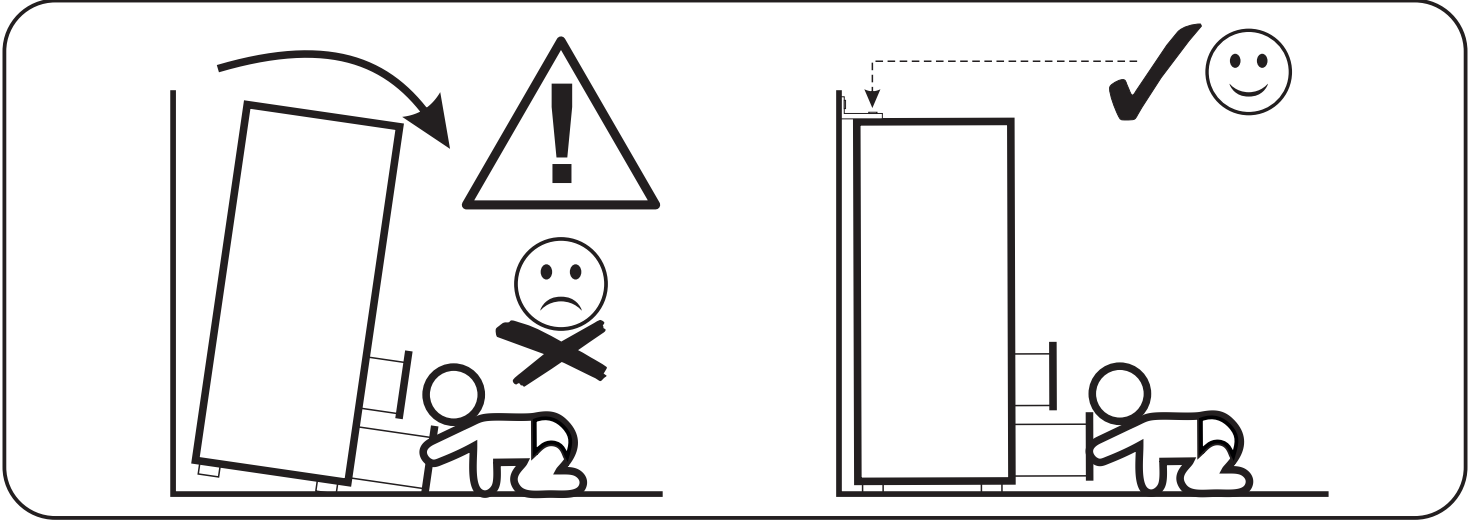
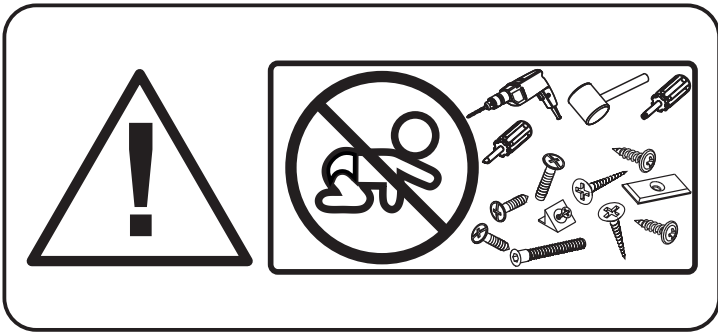


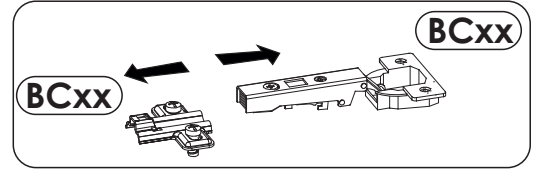
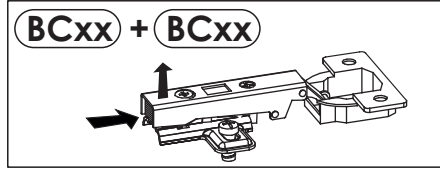
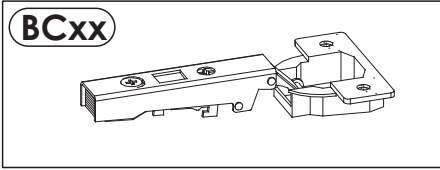
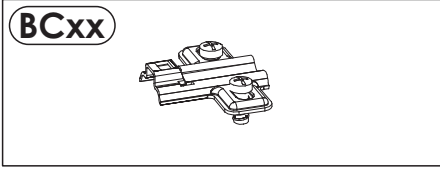




Ø8







MM

260

250

240

230

220

210

200

190

180

170

160

150

140

130

120

110

100

90

80

70

60

50


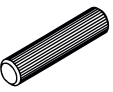
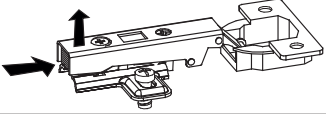
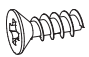
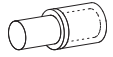
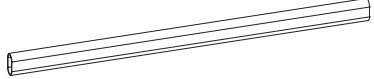
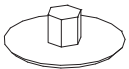

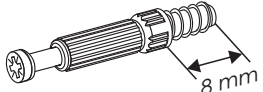
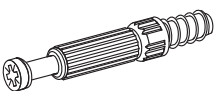
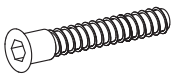


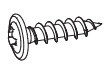


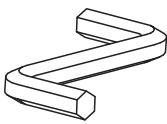



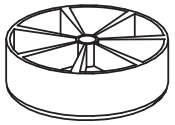
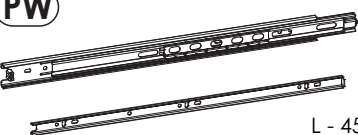
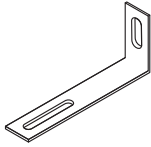
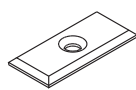
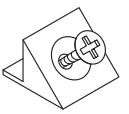
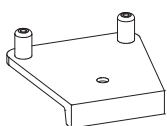
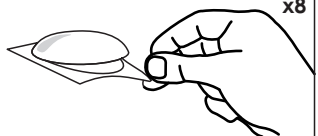
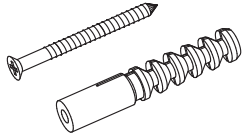
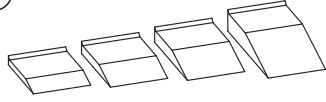
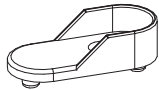
40

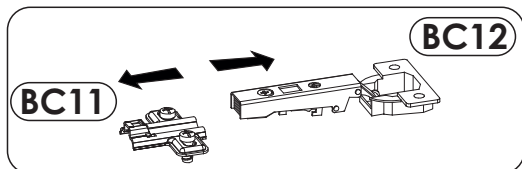
30

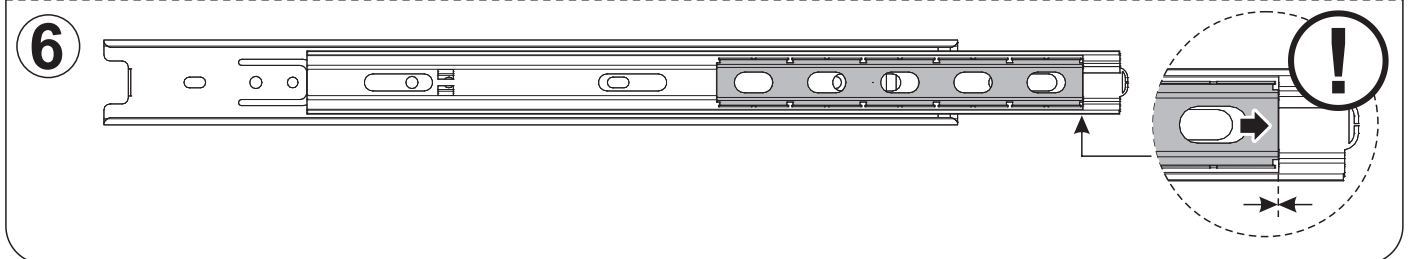
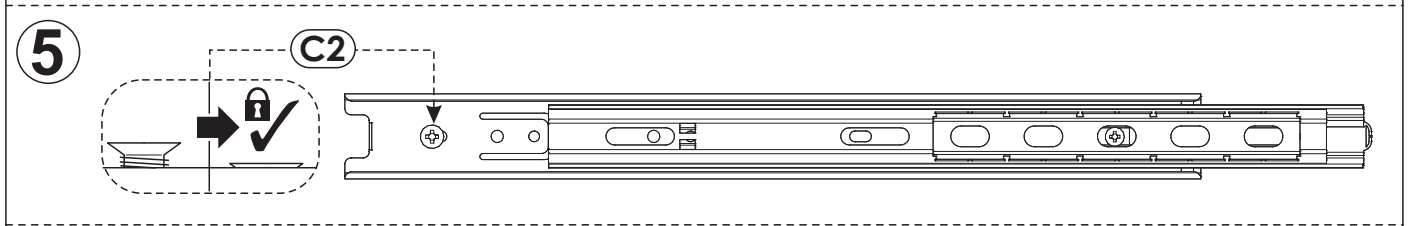
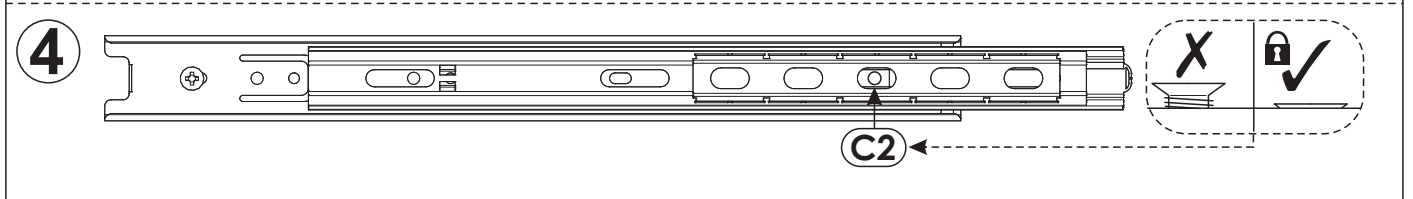
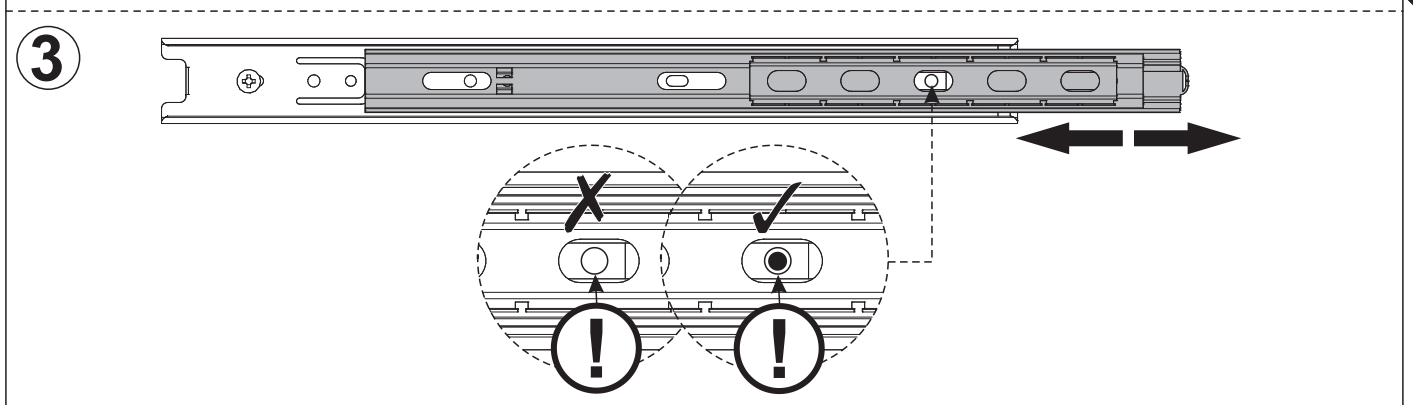
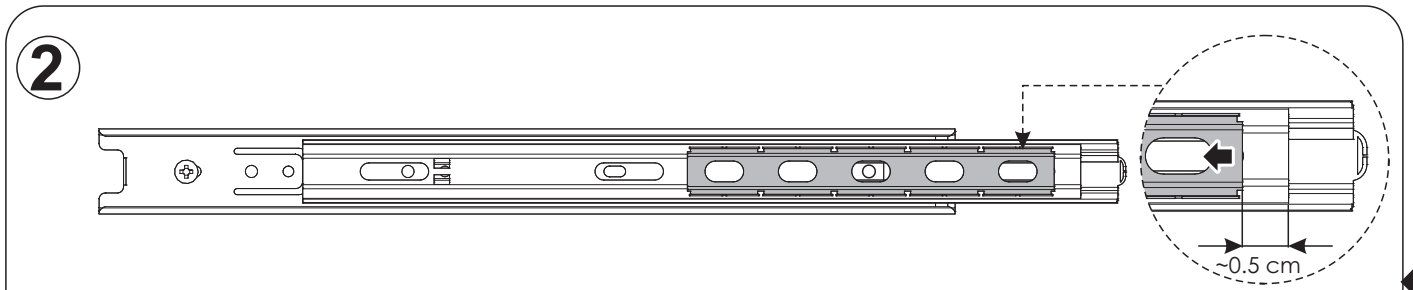
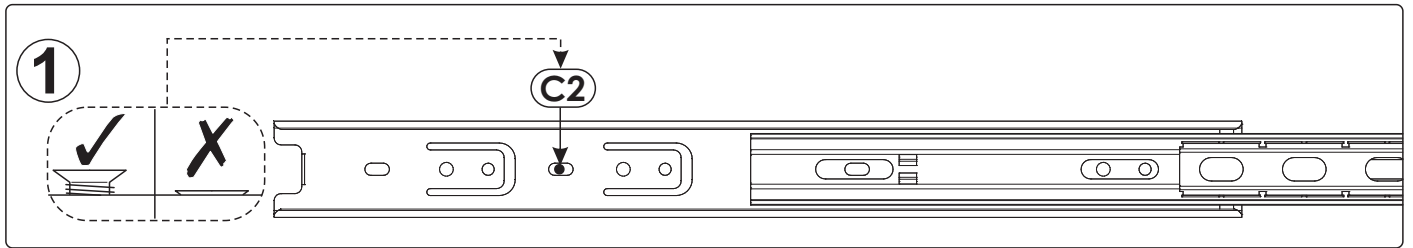
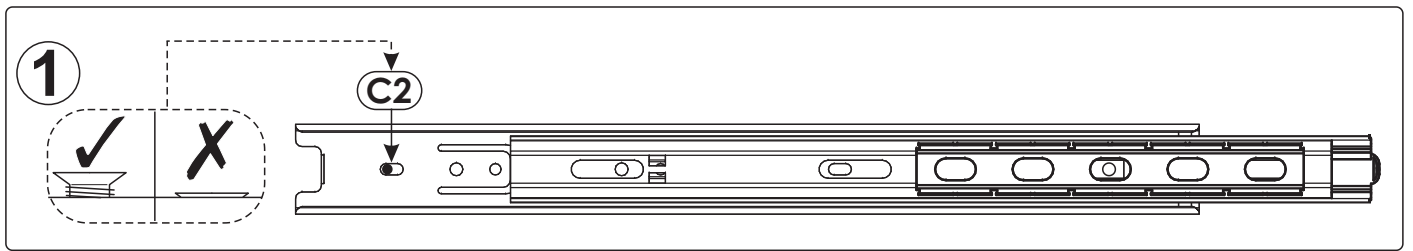
20

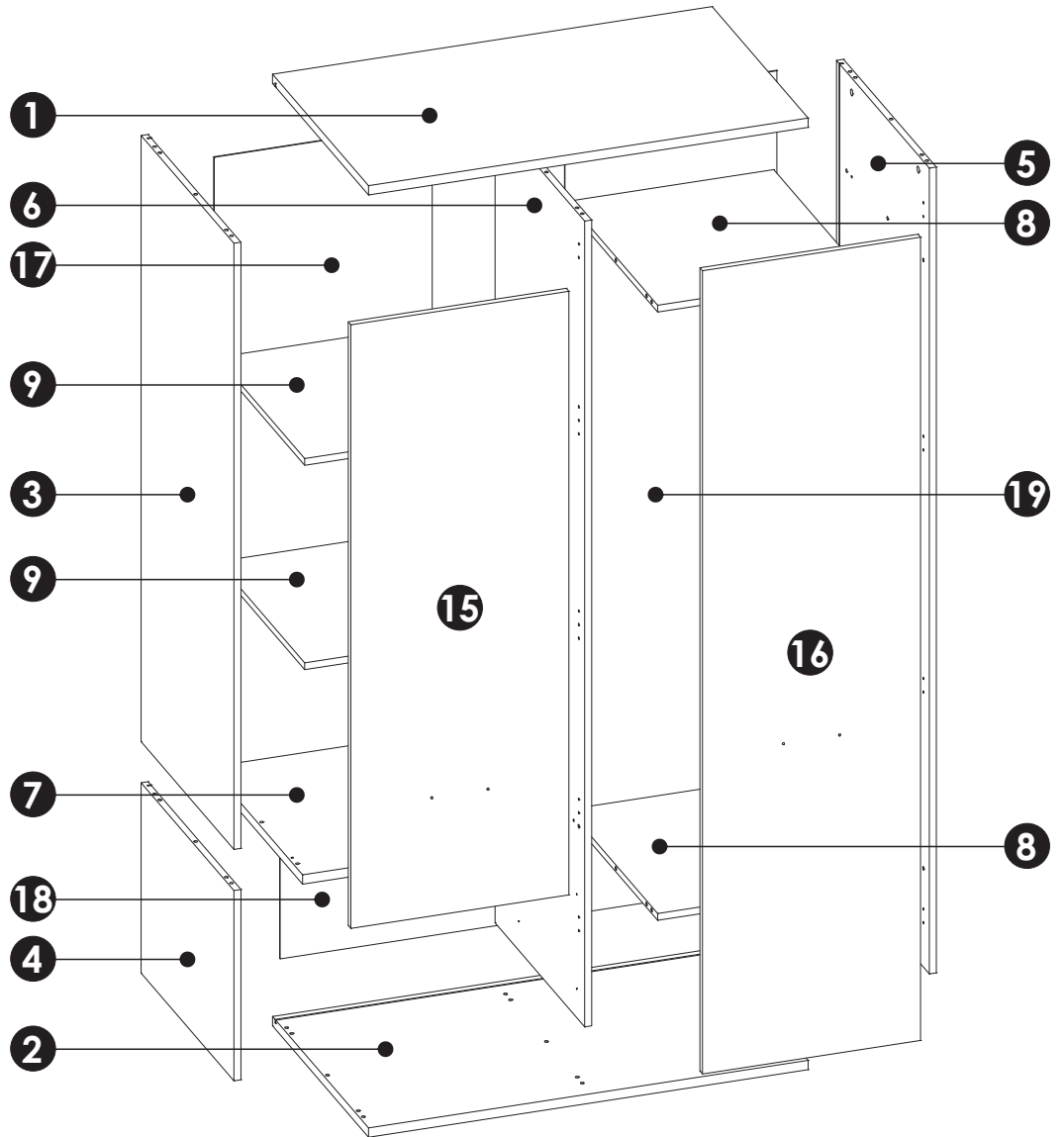
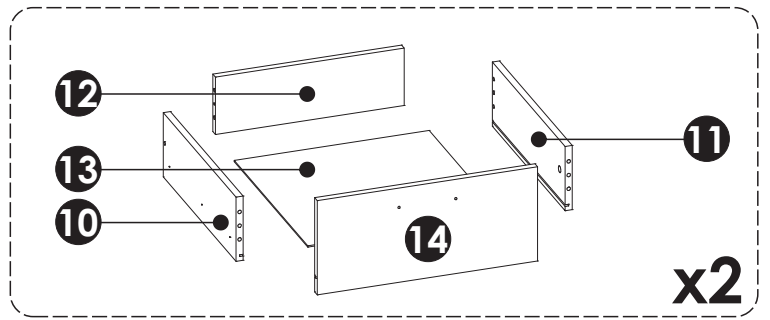
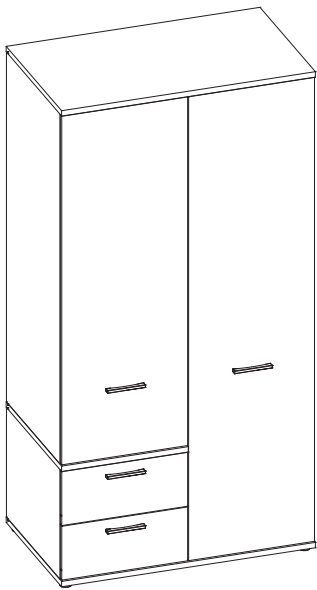
10

0

| | | |
|---|--|--|
| <p>A1 8 x 35 mm x49</p>  | <p>A3 8 x 60 mm x3</p>  | <p>BC11 + BC12 x7</p>  |
| <p>C2 5 x 13 mm x22</p>  | <p>D2 x8</p>  | <p>DR L - 459 mm x1</p>  |
| <p>E0 Ø16 x20</p>  | <p>E1 15 x 12 mm x24</p>  | <p>F0 6 x 34 mm x4</p>  |
| <p>F1 6 x 34 mm x20</p>  | <p>G1 7 x 50 mm x4</p>  | <p>G2 7 x 60 mm x6</p>  |
| <p>H1 L - 150 mm x4</p>  | <p>I2 4 x 16 mm x2</p>  | <p>I3 3,5 x 22 mm x5</p>  |
| <p>I12 4 x 27 mm x8</p>  | <p>M x1</p>  | <p>N0 3 x 13 mm x3</p>  |
| <p>N1 3 x 16 mm x20</p>  | <p>N5 3,5 x 16 mm x14</p>  | <p>O1 x5</p>  |
| <p>PW x4</p>  <p>L - 450mm</p> | <p>Q9 x2</p>  | <p>R1 x12</p>  |
| <p>R4 x18</p>  | <p>R5 x3</p>  | <p>R8 x8</p>  |
| <p>S13 x2</p>  <p>Ø8</p> | <p>Z x1</p>  | <p>Z1 x2</p>  |



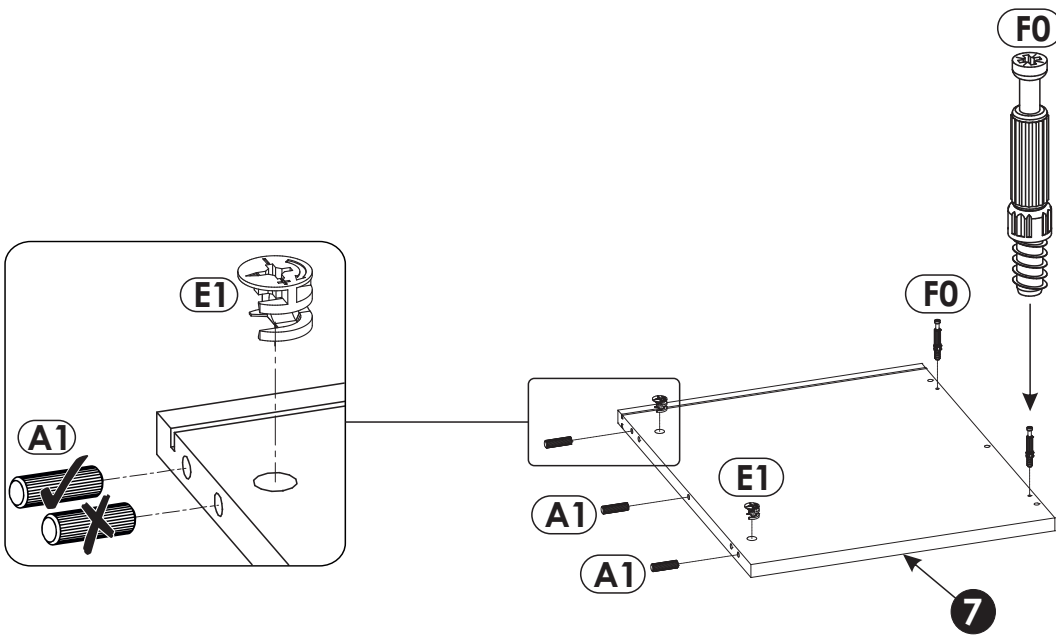
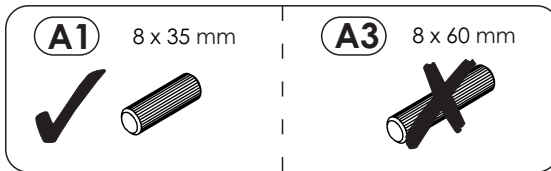
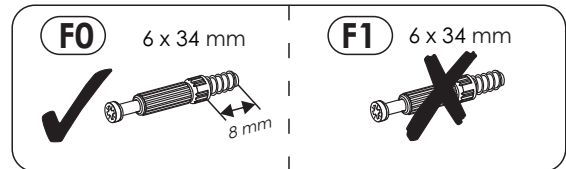
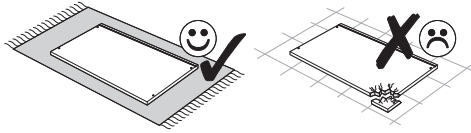
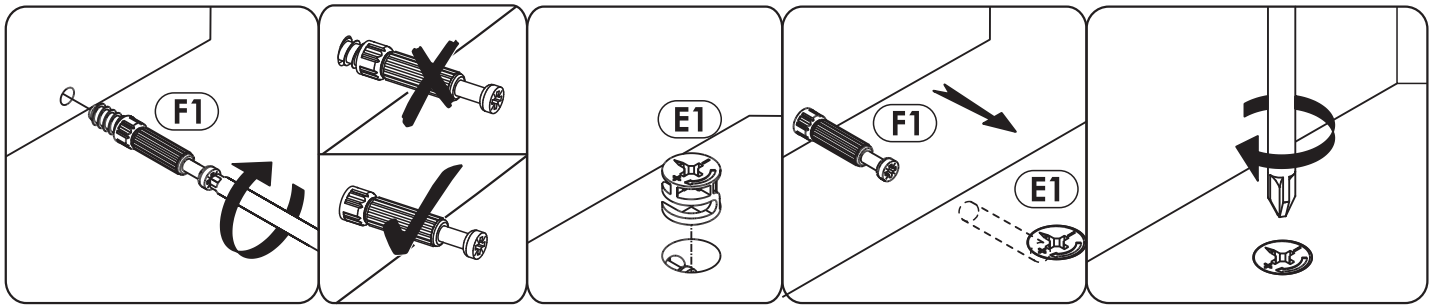


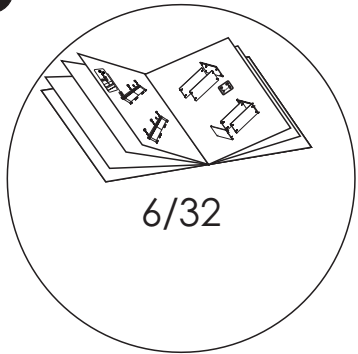
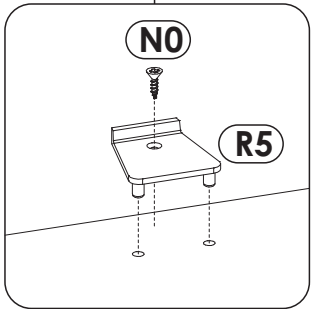
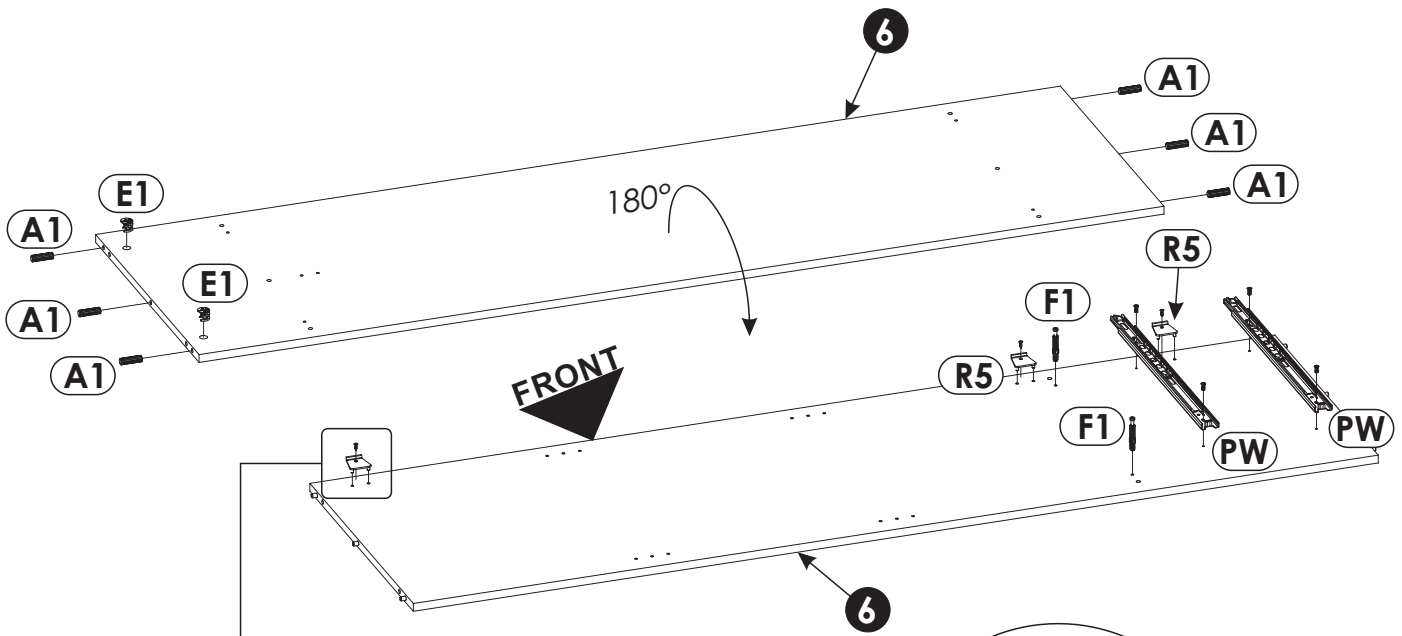
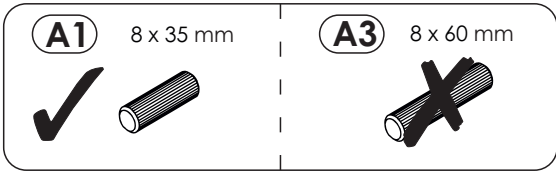
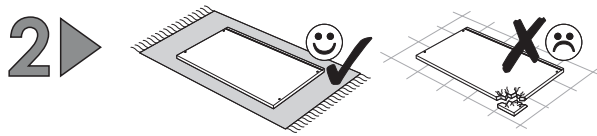
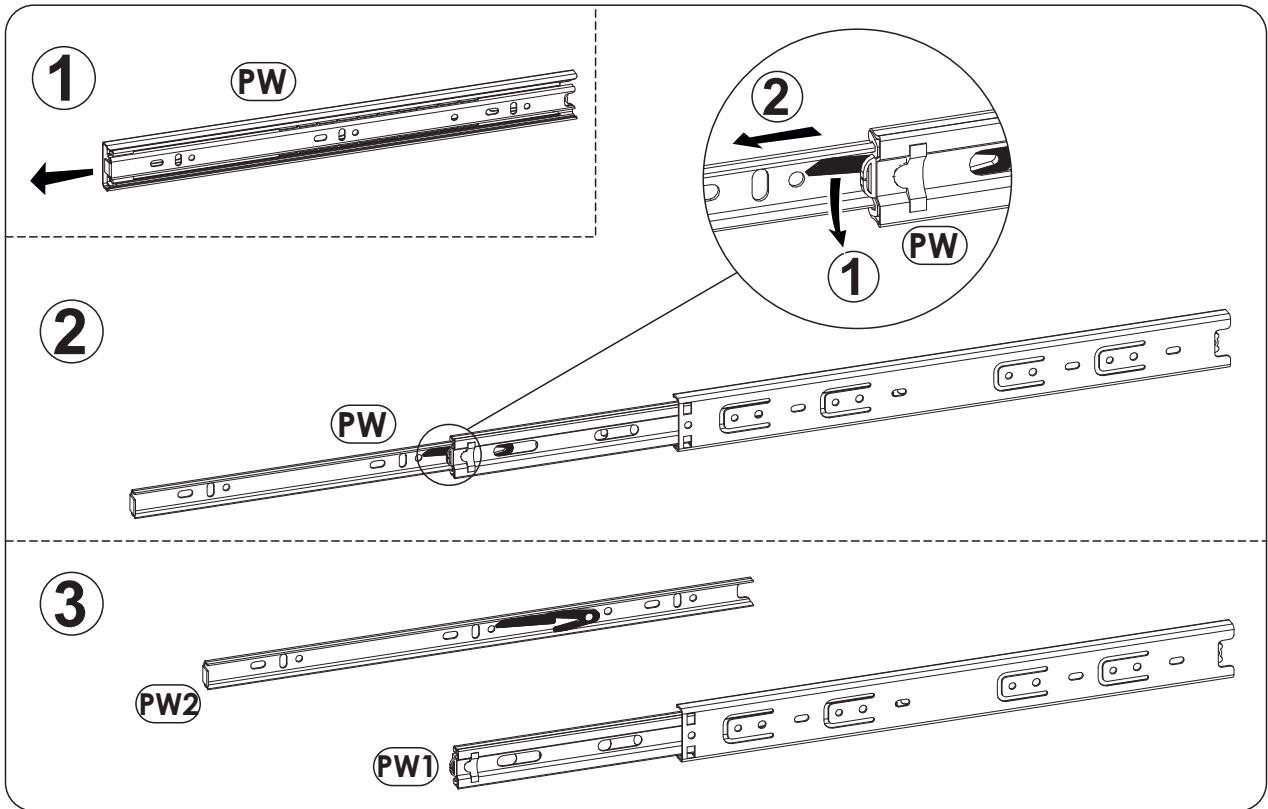


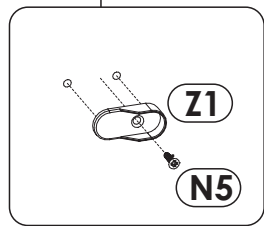
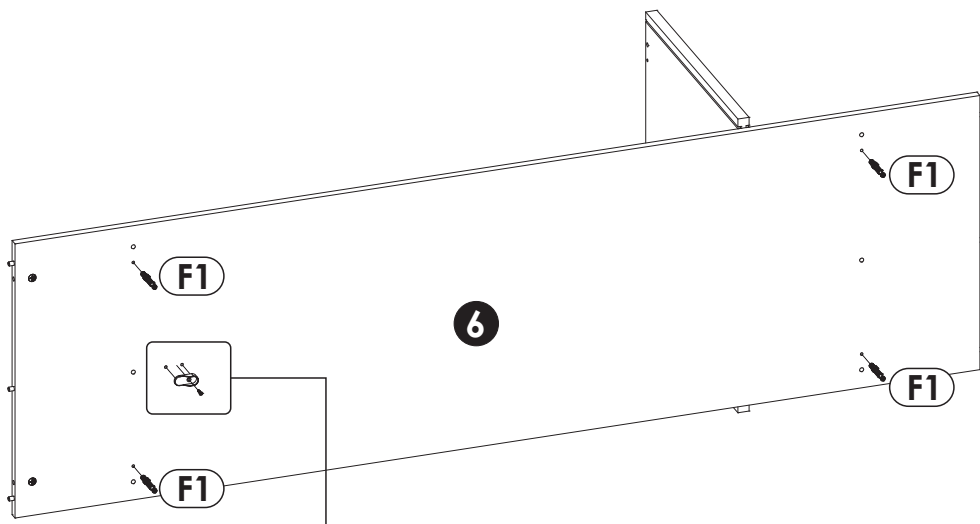
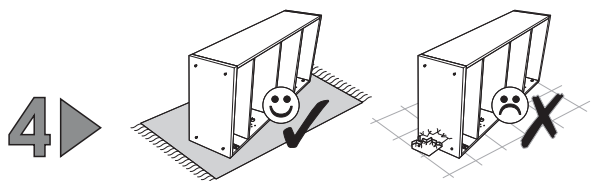
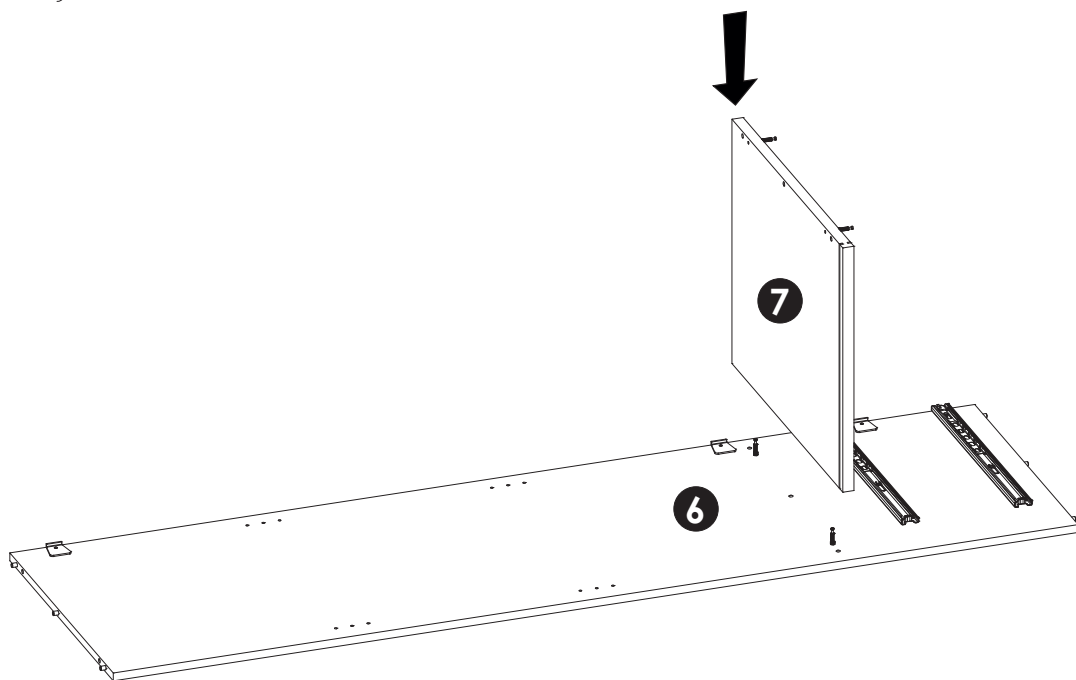
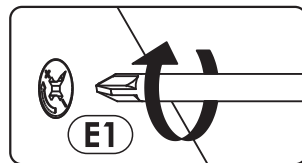
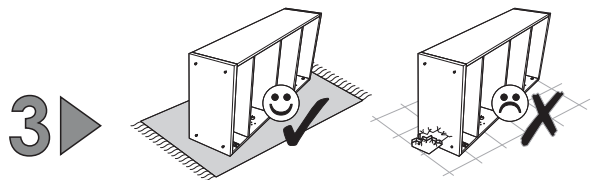
| | | | | | |
|----------|------|-----|----|----|-----|
| 1 | 1000 | 600 | 22 | x1 | 2/4 |
| 2 | 1000 | 600 | 22 | x1 | 2/4 |
| 3 | 1430 | 580 | 16 | x1 | 4/4 |
| 4 | 449 | 580 | 16 | x1 | 1/4 |
| 5 | 1901 | 580 | 16 | x1 | 4/4 |
| 6 | 1901 | 560 | 16 | x1 | 3/4 |

| | | | | | |
|-----------|-----|-----|----|----|-----|
| 7 | 499 | 600 | 22 | x1 | 2/4 |
| 8 | 468 | 560 | 16 | x2 | 1/4 |
| 9 | 481 | 545 | 16 | x2 | 1/4 |
| 10 | 450 | 150 | 16 | x2 | 1/4 |
| 11 | 450 | 150 | 16 | x2 | 1/4 |
| 12 | 425 | 134 | 16 | x2 | 1/4 |

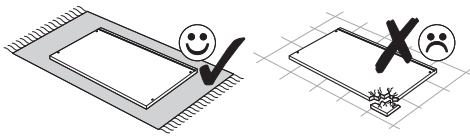
| | | | | | |
|-----------|------|-----|----|----|-----|
| 13 | 439 | 455 | 3 | x2 | 1/4 |
| 14 | 496 | 220 | 16 | x2 | 1/4 |
| 15 | 1424 | 496 | 16 | x1 | 3/4 |
| 16 | 1895 | 496 | 16 | x1 | 3/4 |
| 17 | 1442 | 496 | 3 | x1 | 4/4 |
| 18 | 461 | 496 | 3 | x1 | 4/4 |
| 19 | 1915 | 482 | 3 | x1 | 4/4 |



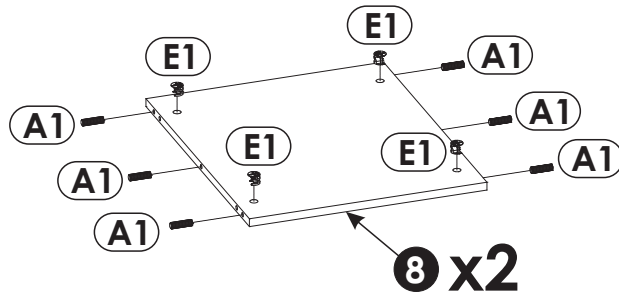




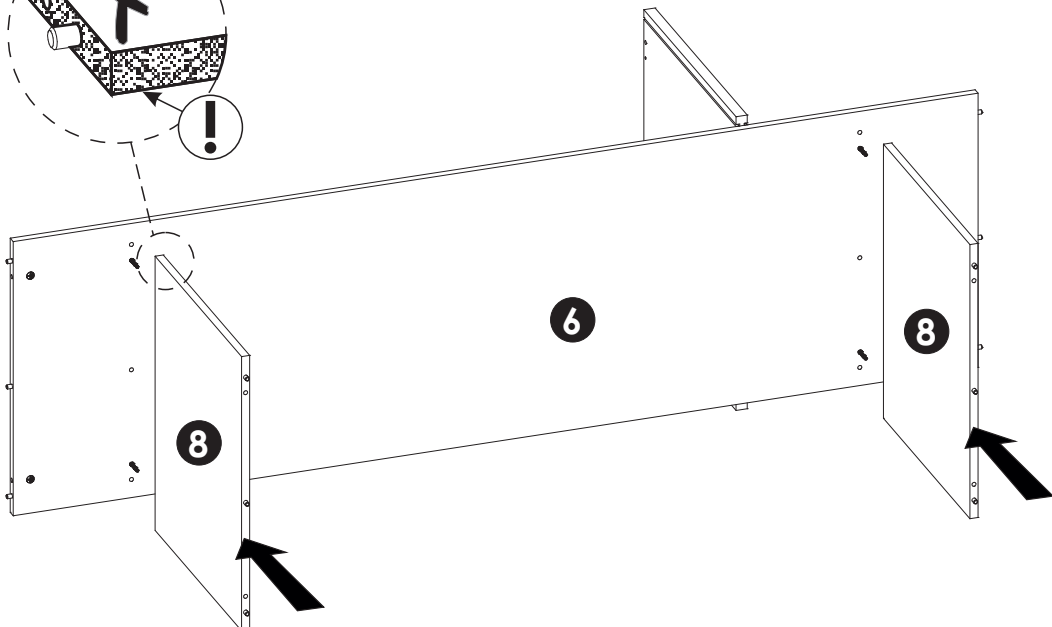
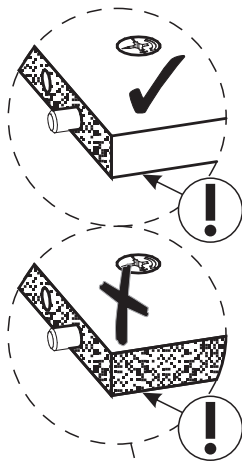
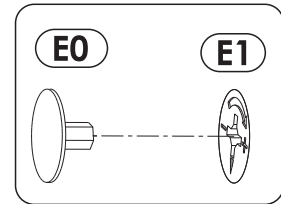
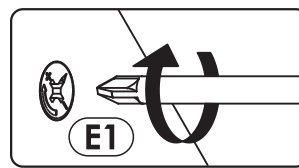
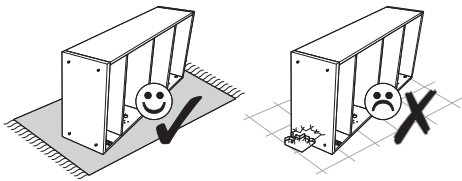
5 ▶



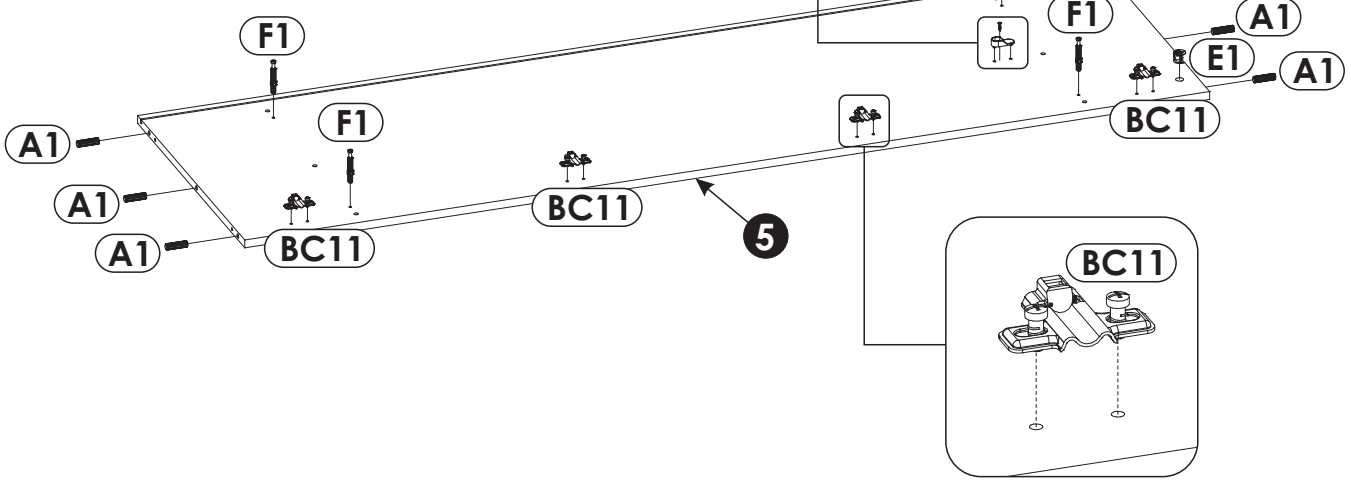
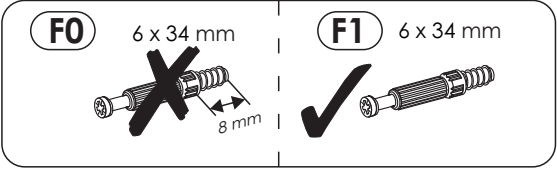
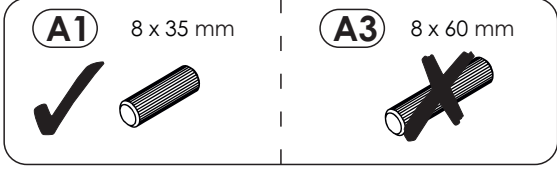
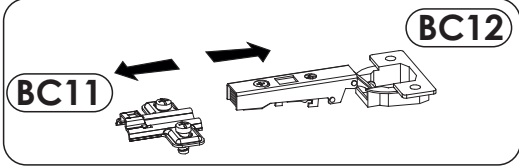
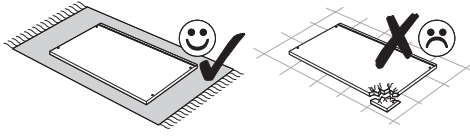
| | |
|----------------------------|----------------------------|
| <p>A1 8 x 35 mm</p> | <p>A3 8 x 60 mm</p> |
|----------------------------|----------------------------|



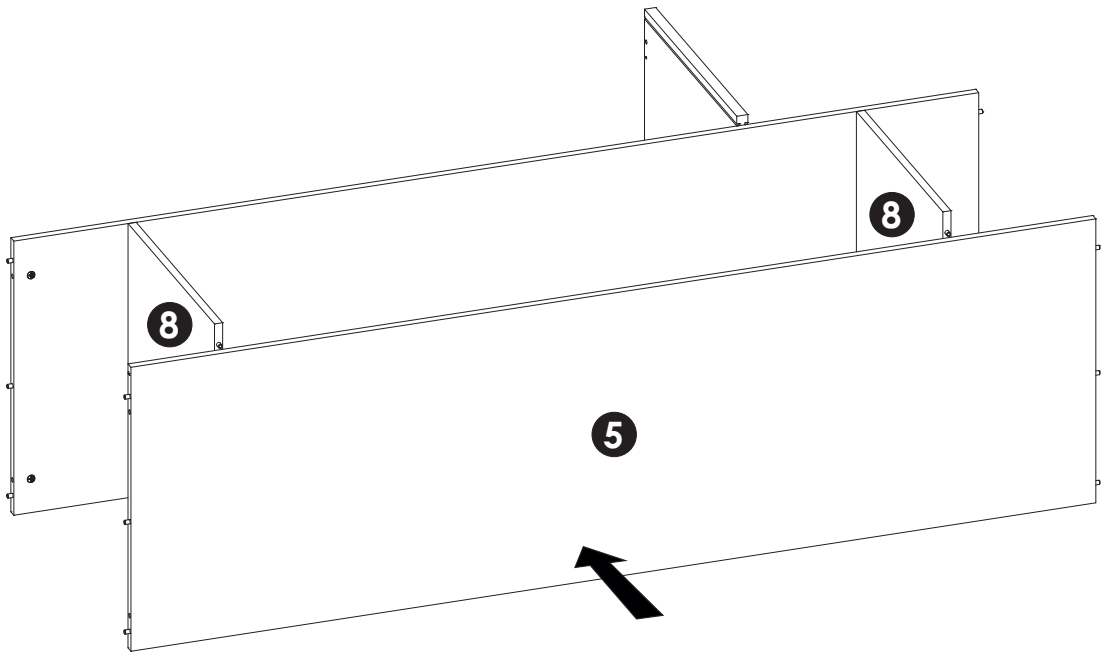
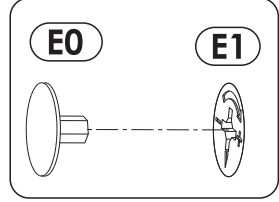
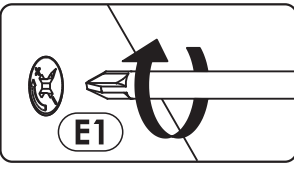
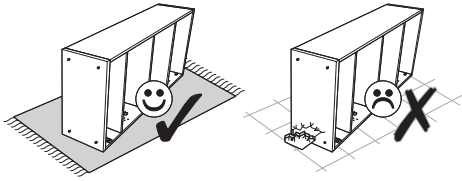
6 ▶



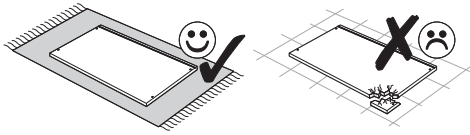
7 ▶



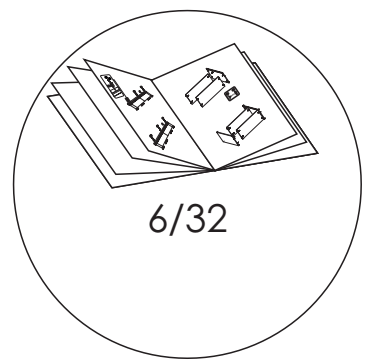
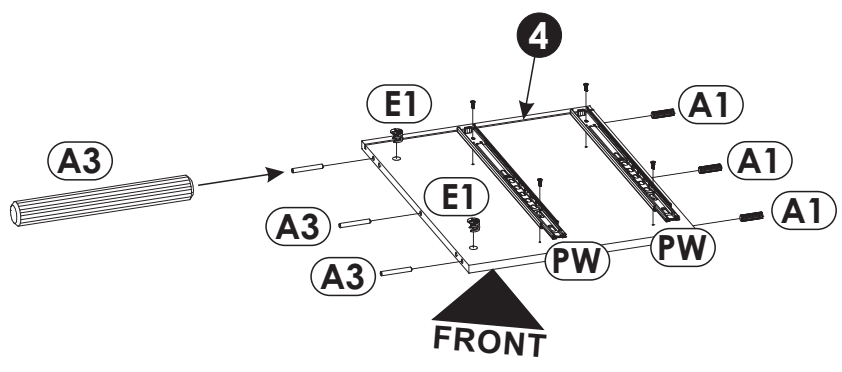
8 ▶



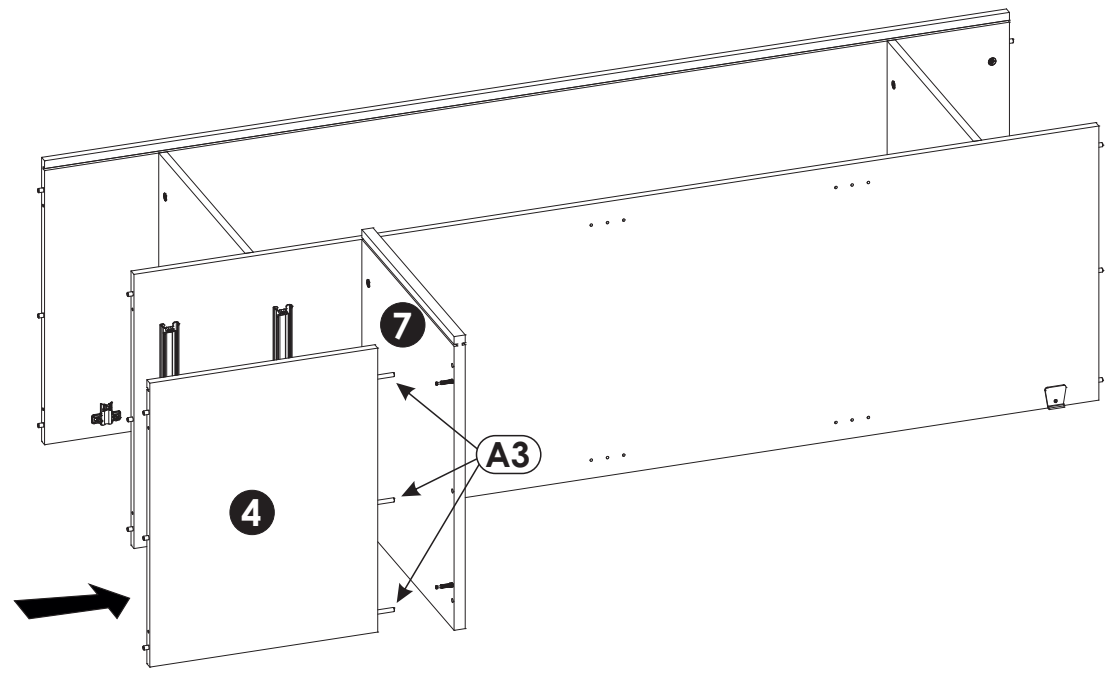
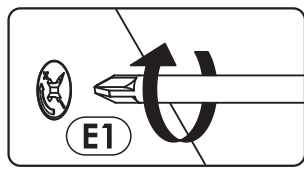
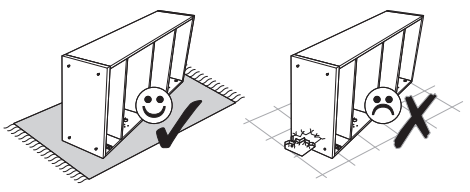
9 ▶



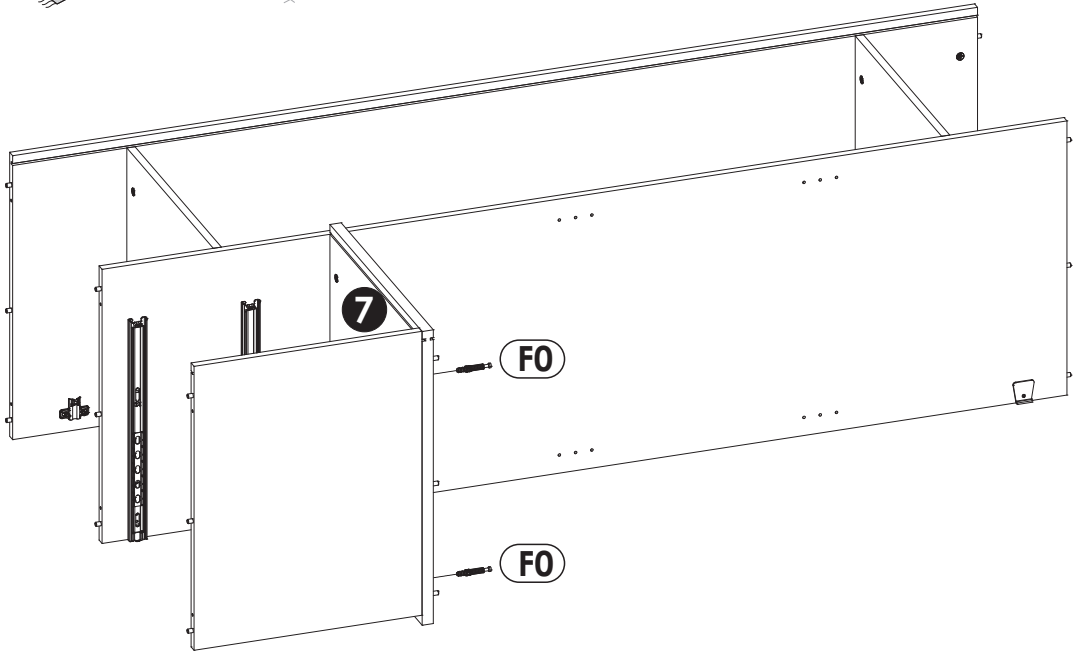
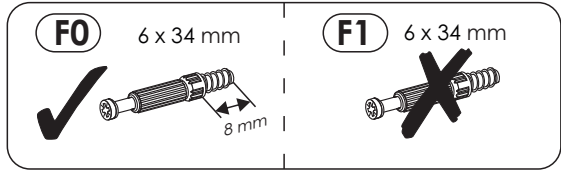
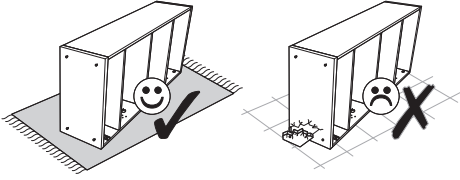
| | |
|----------------------------|----------------------------|
| <p>A1 8 x 35 mm</p> | <p>A3 8 x 60 mm</p> |
|----------------------------|----------------------------|



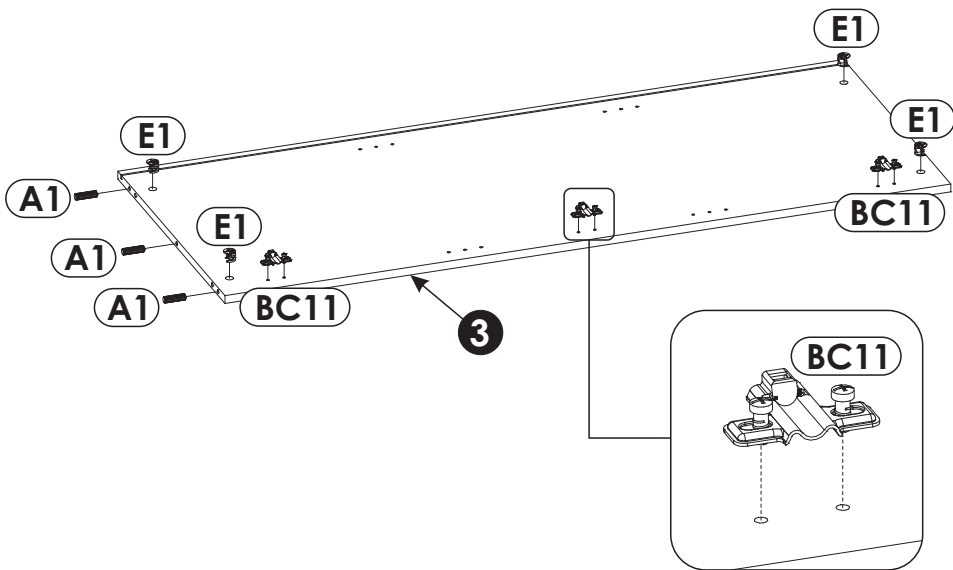
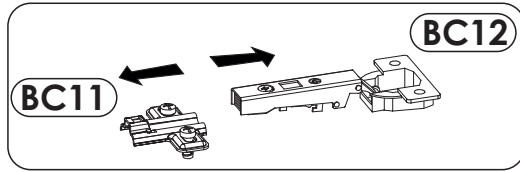
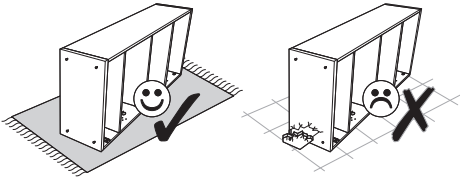
10 ▶



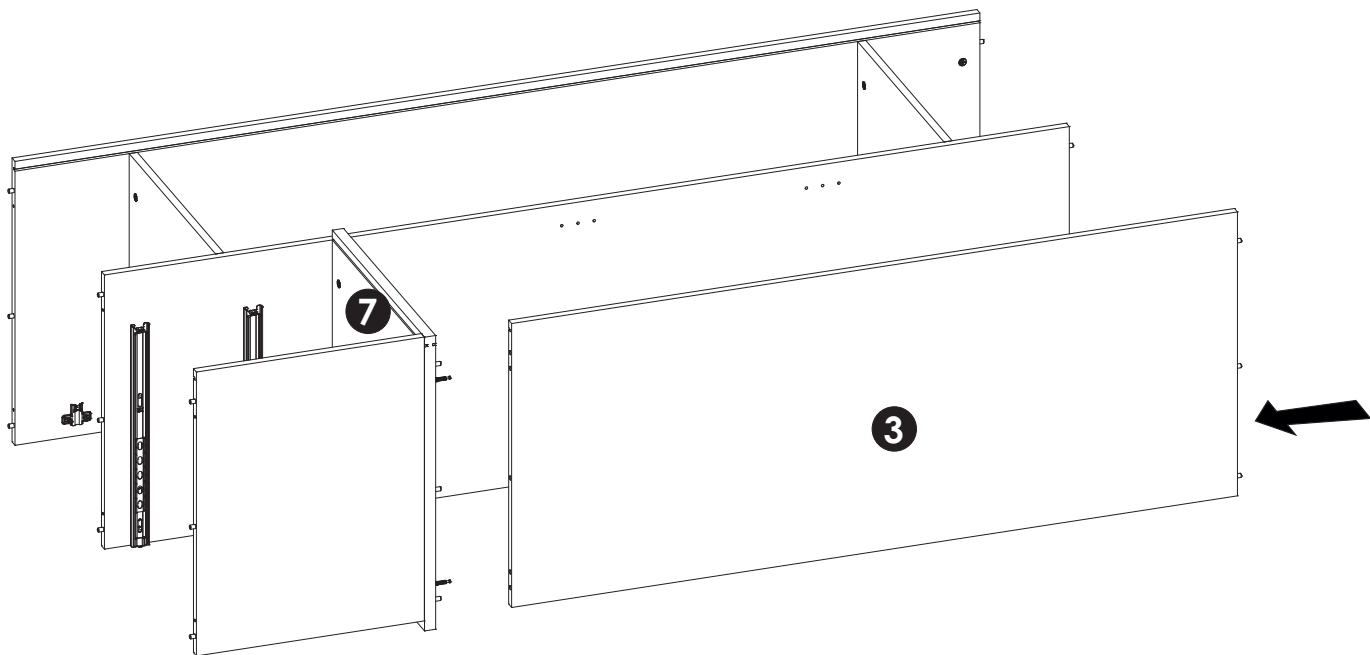
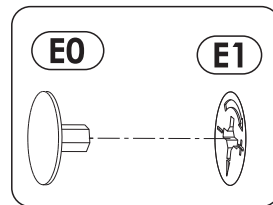
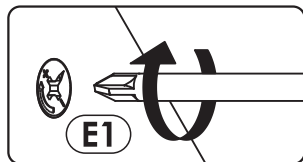
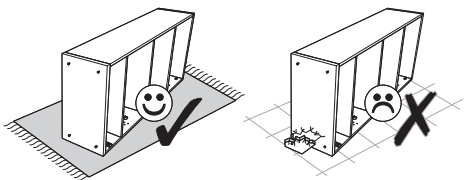
11 ▶



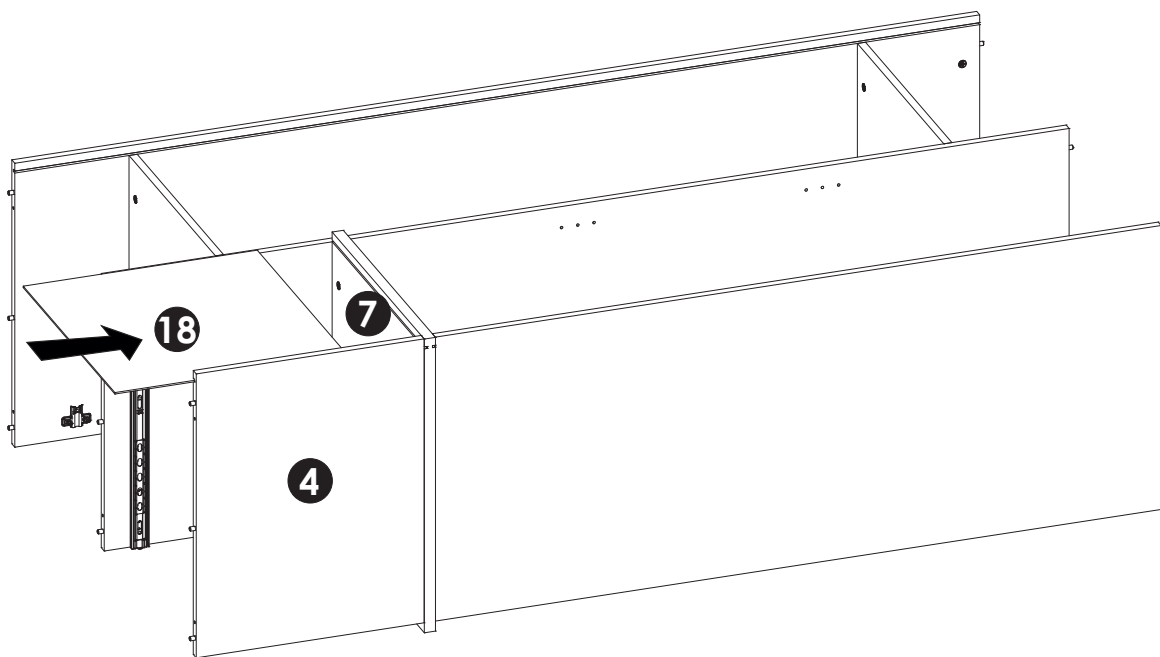
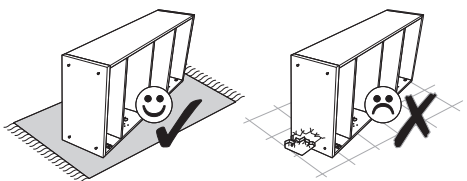
12 ▶



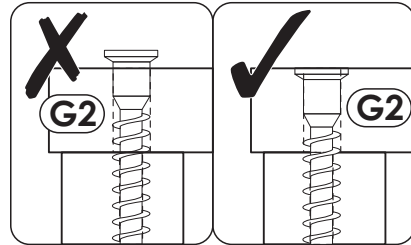
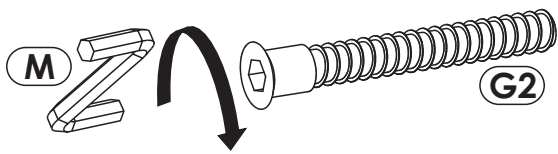
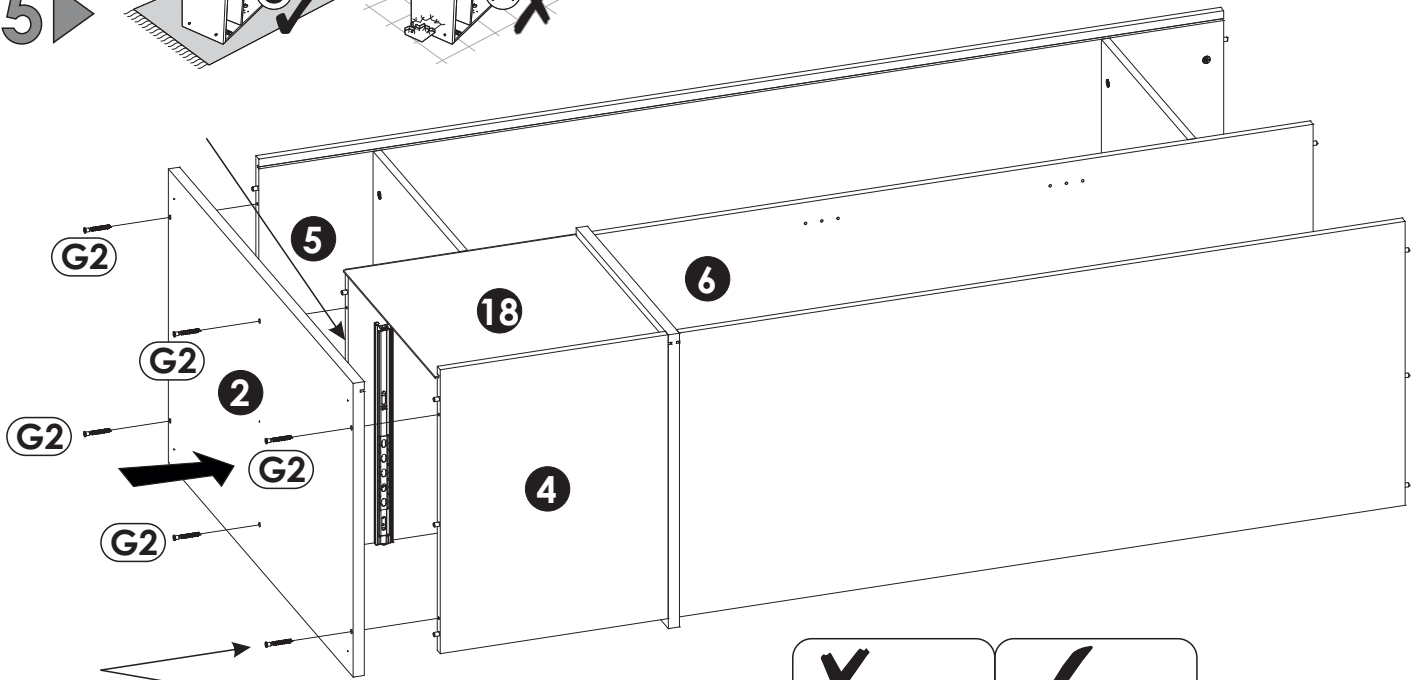
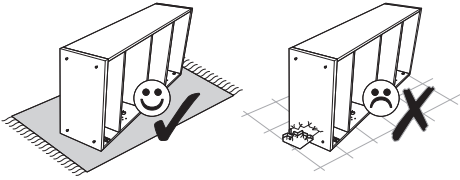
13 ▶



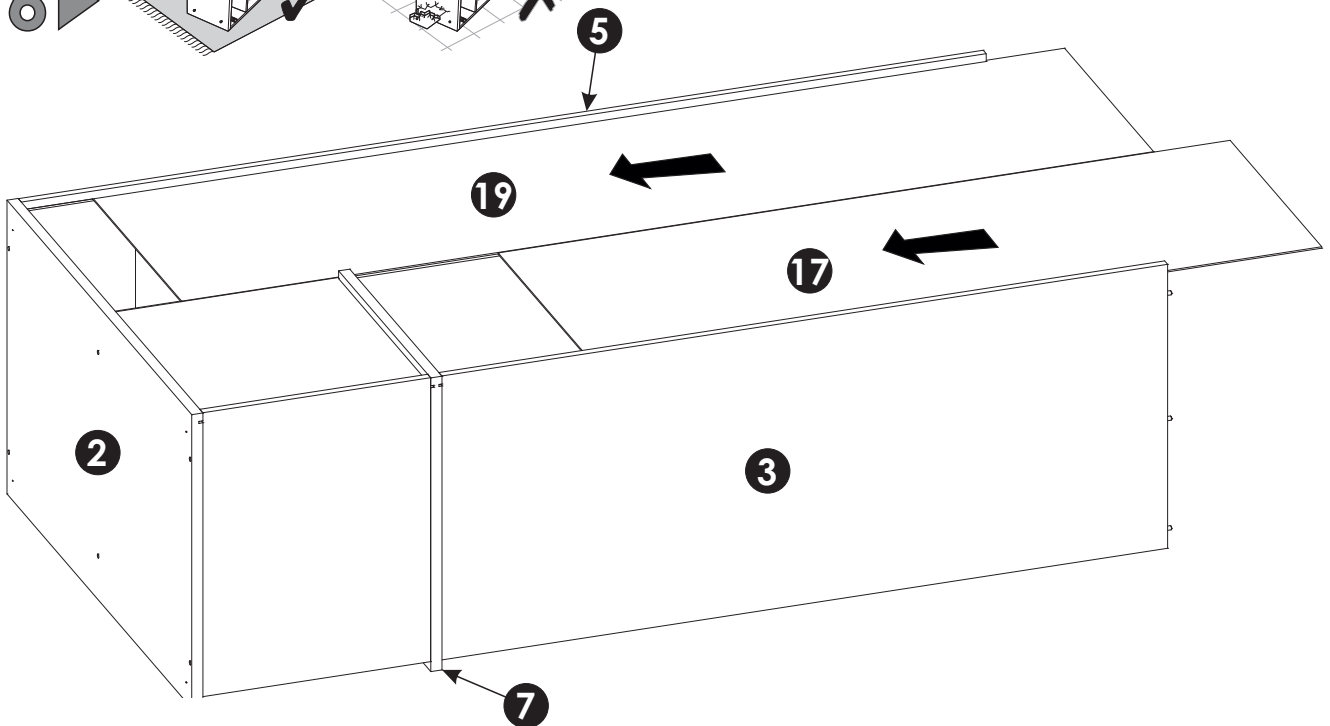
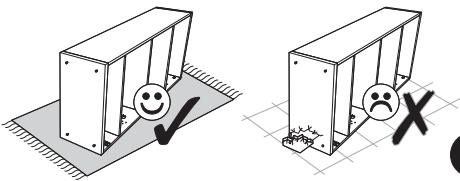
14 ▶



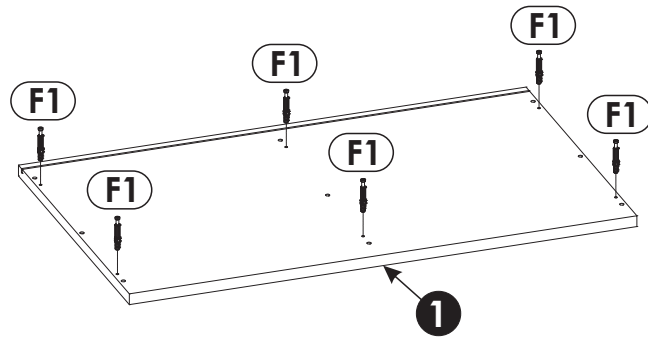
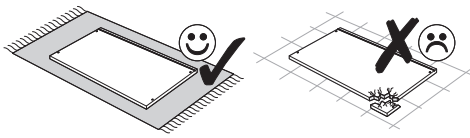
15▶



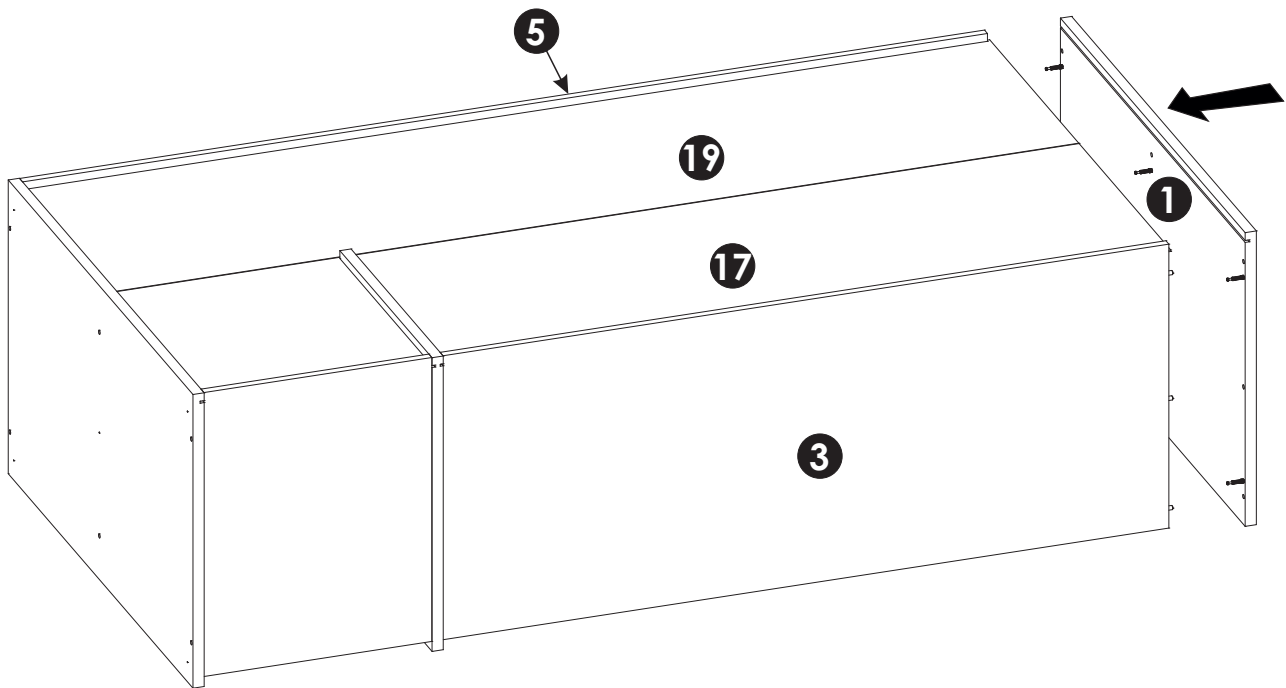
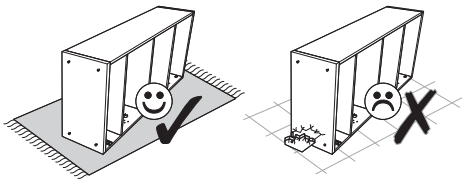
16▶



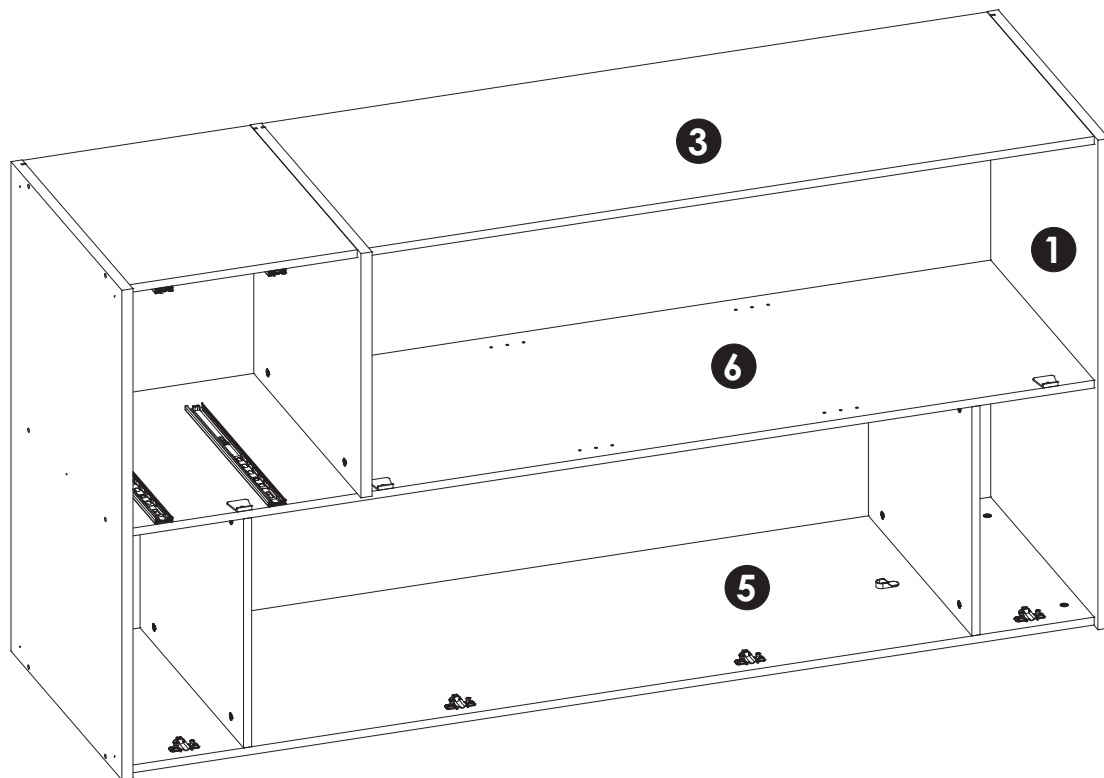
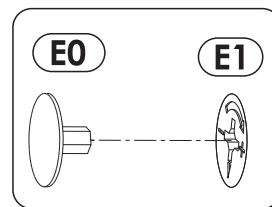
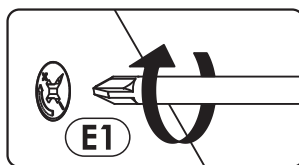
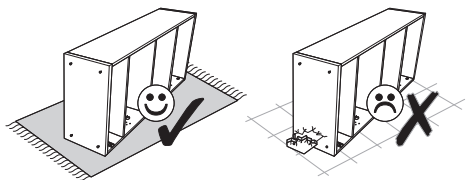
17▶



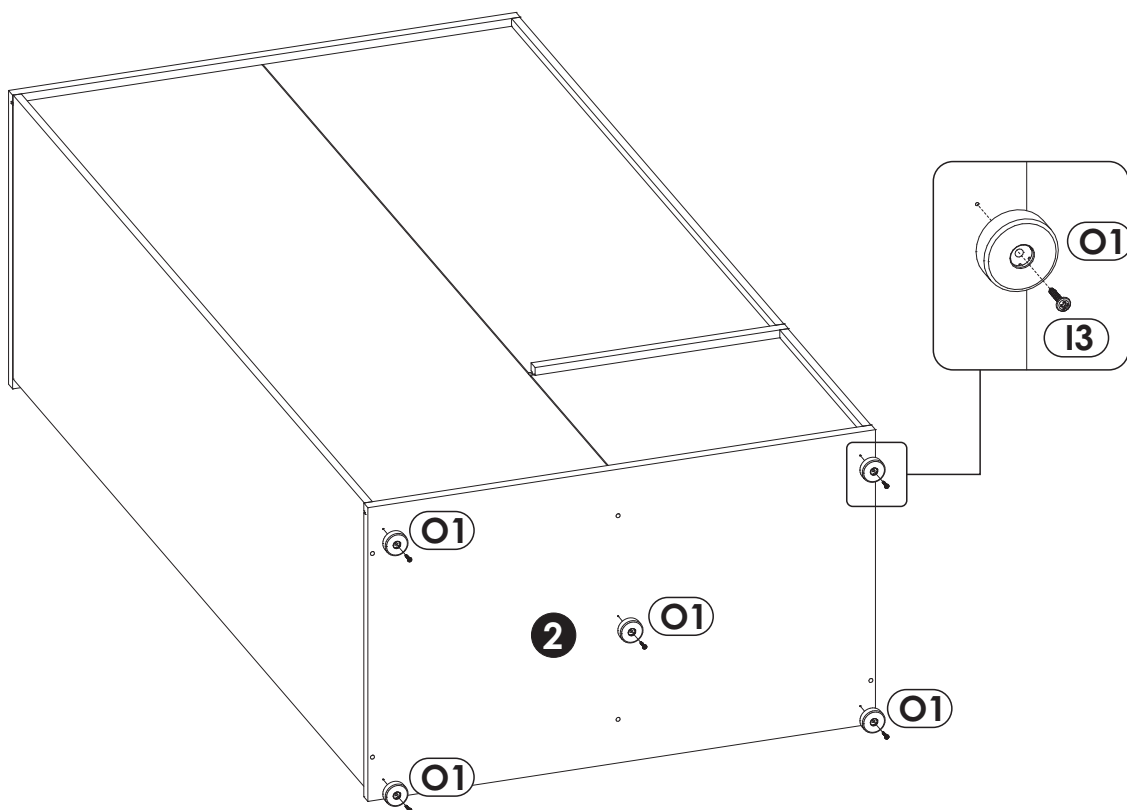
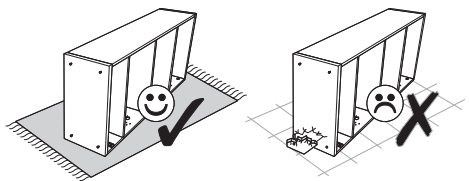
18▶



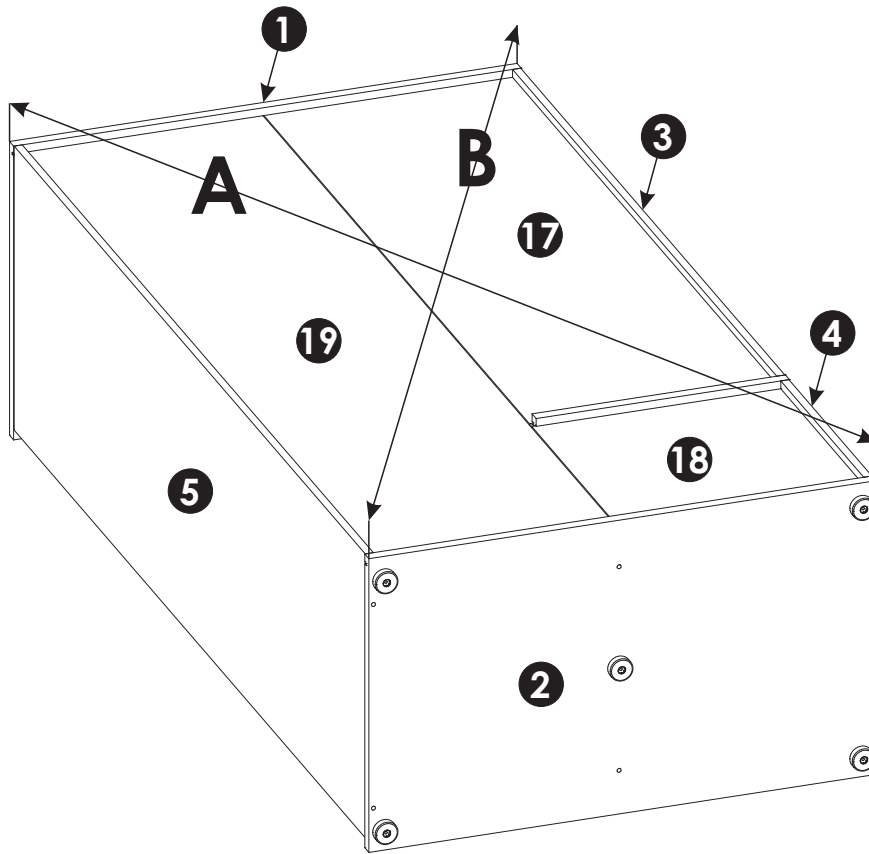
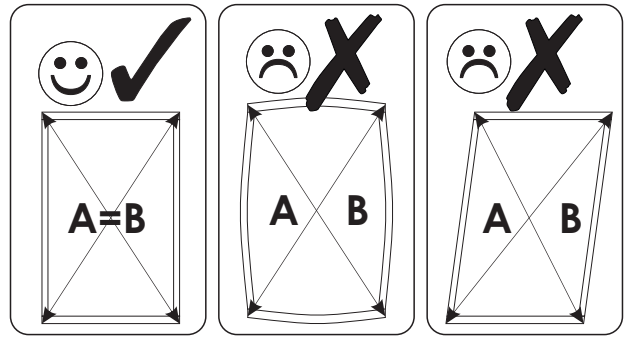
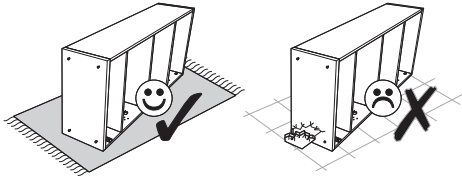
19 ▶



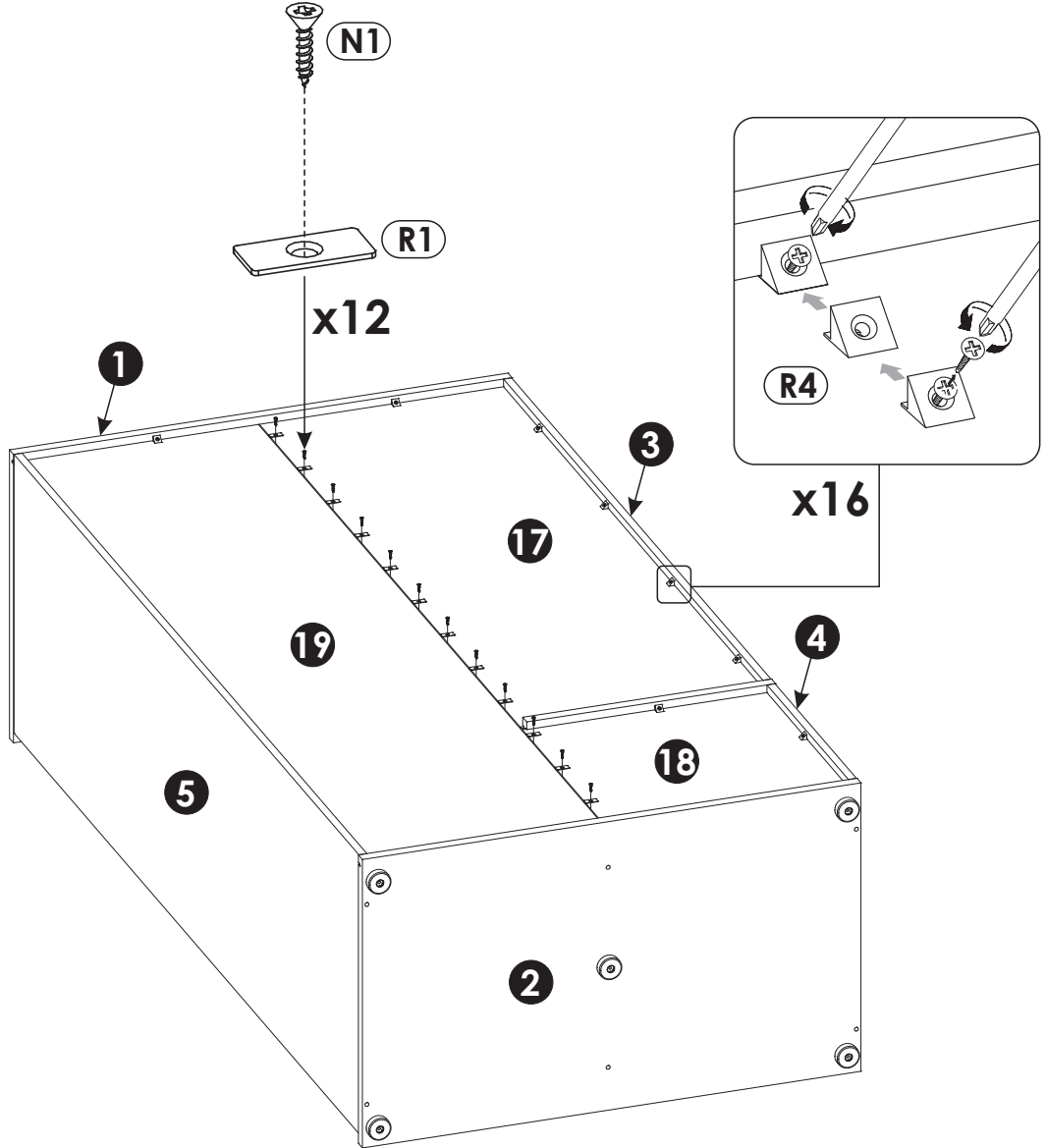
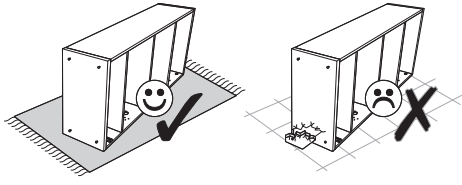
20 ▶

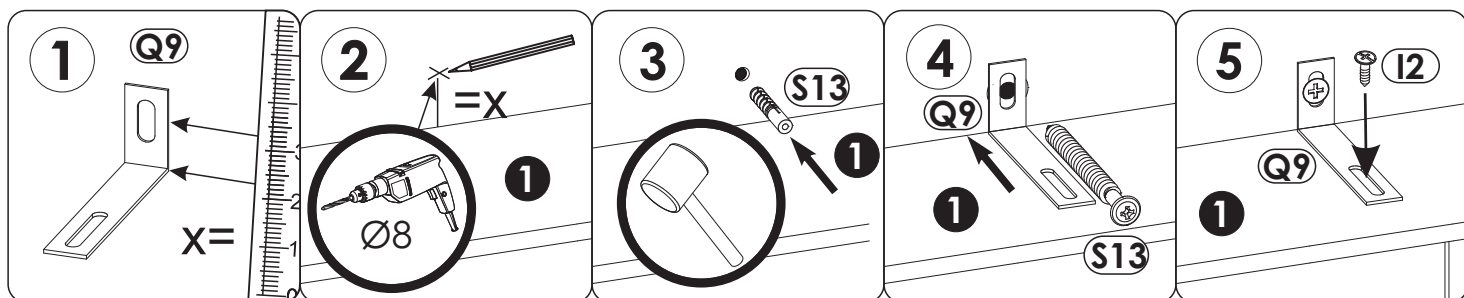
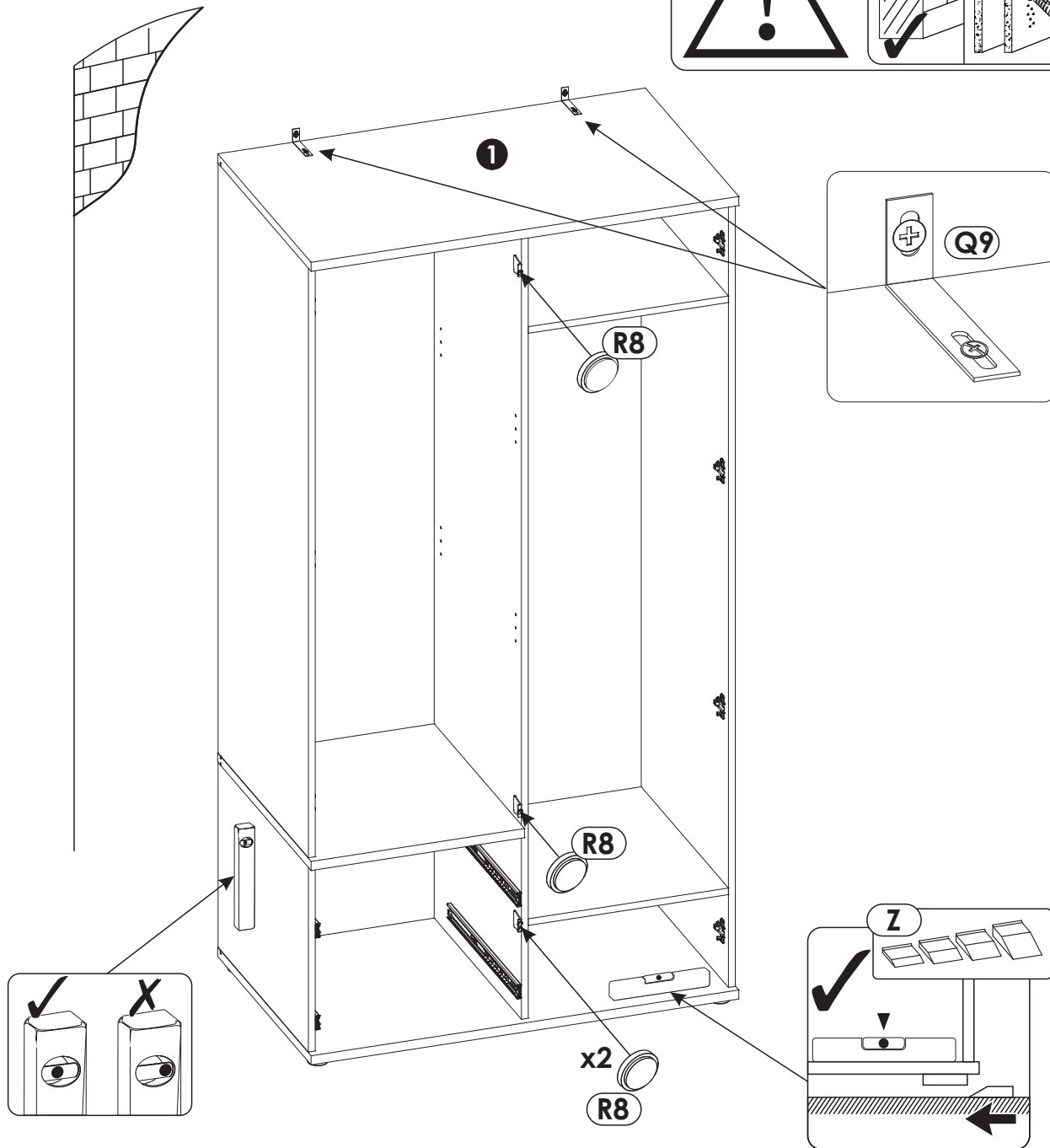
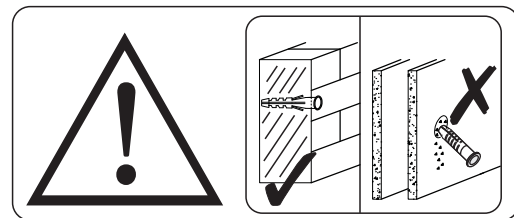


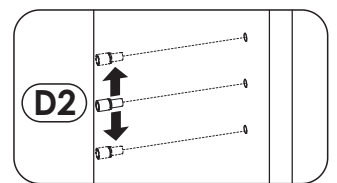
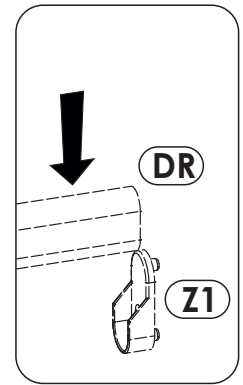
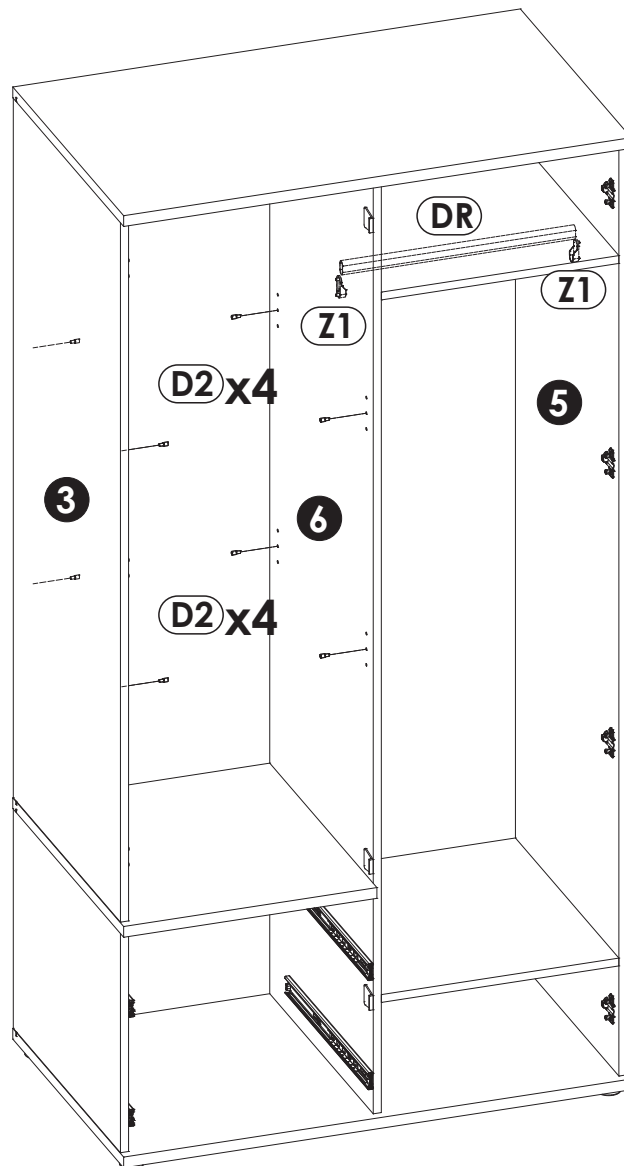
21 ▶

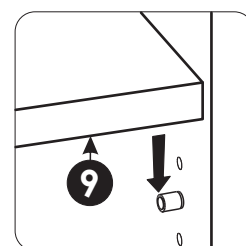
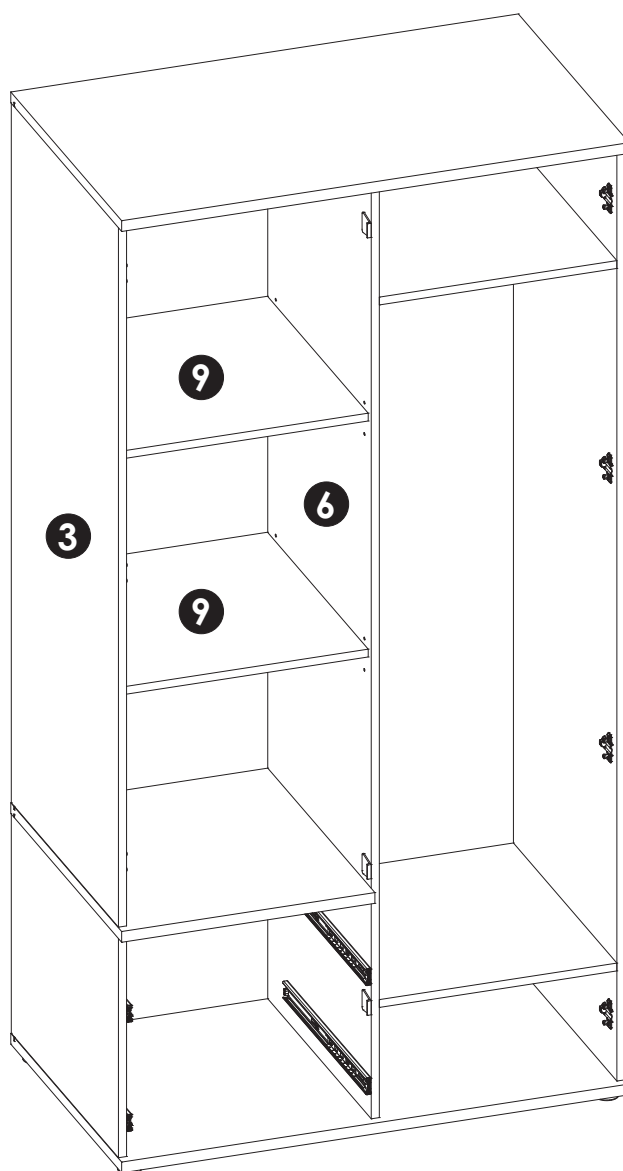


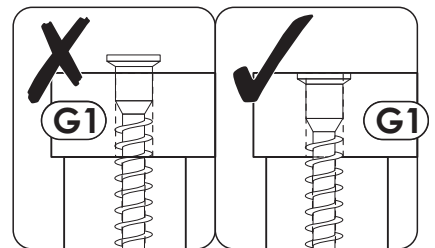
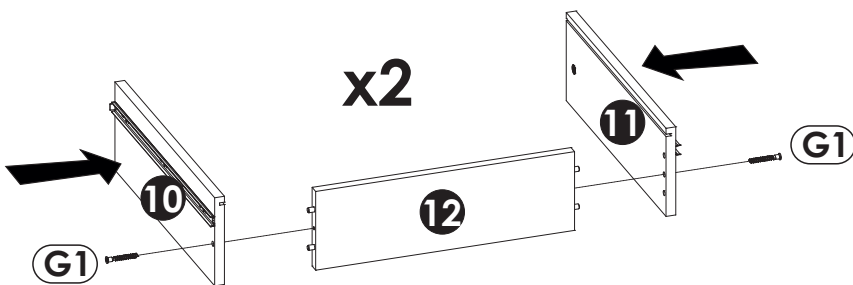
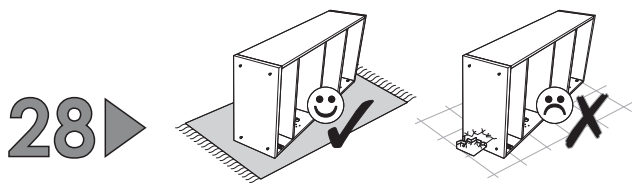
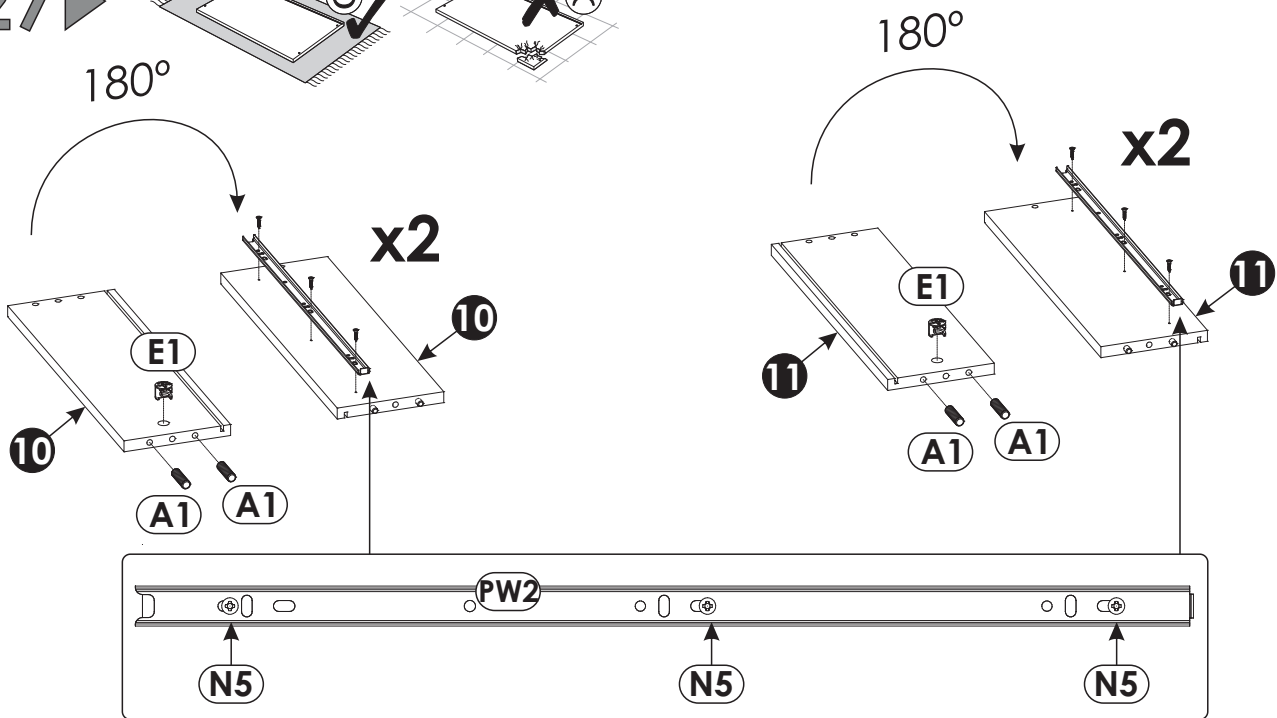
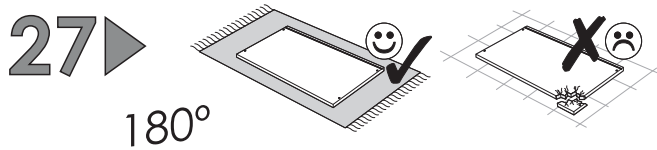
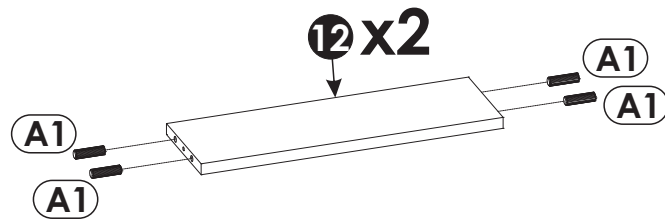
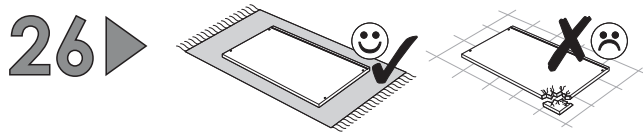
22 ▶



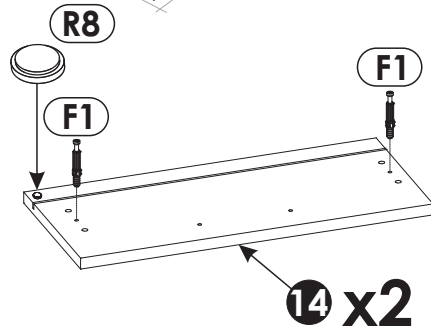
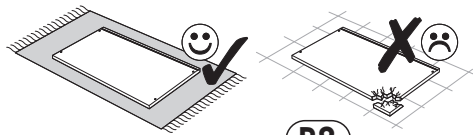




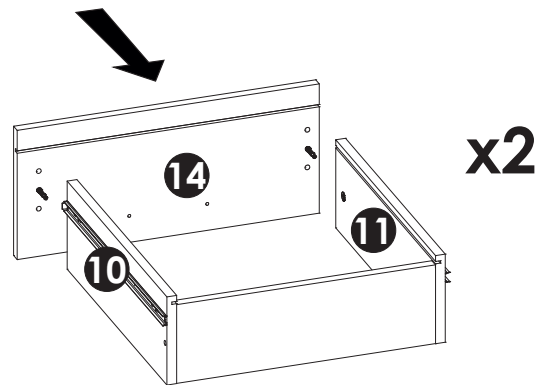
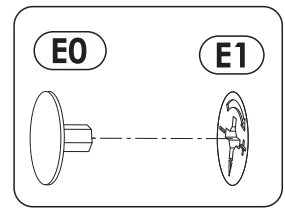
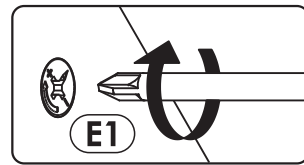
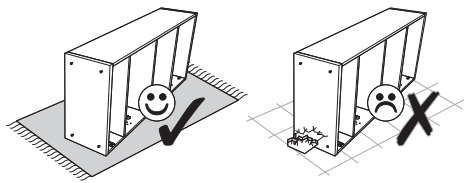




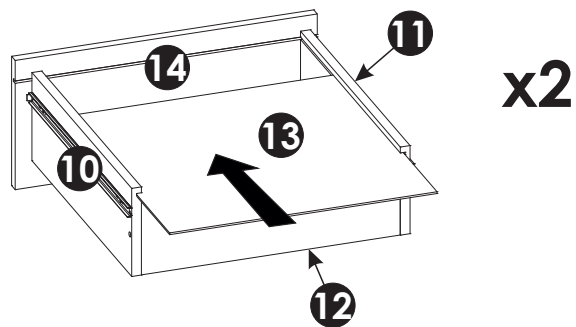
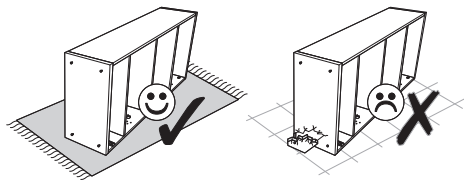
29 ▶



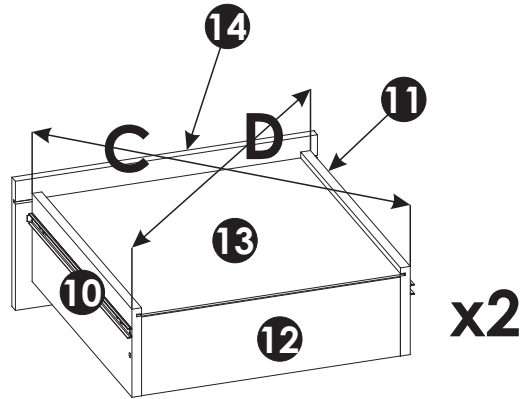
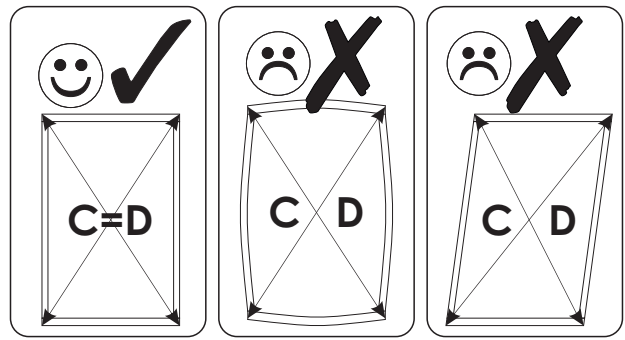
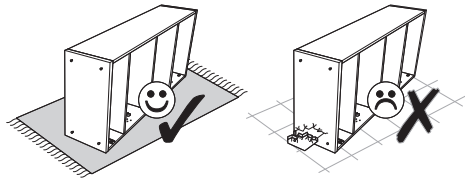
30 ▶



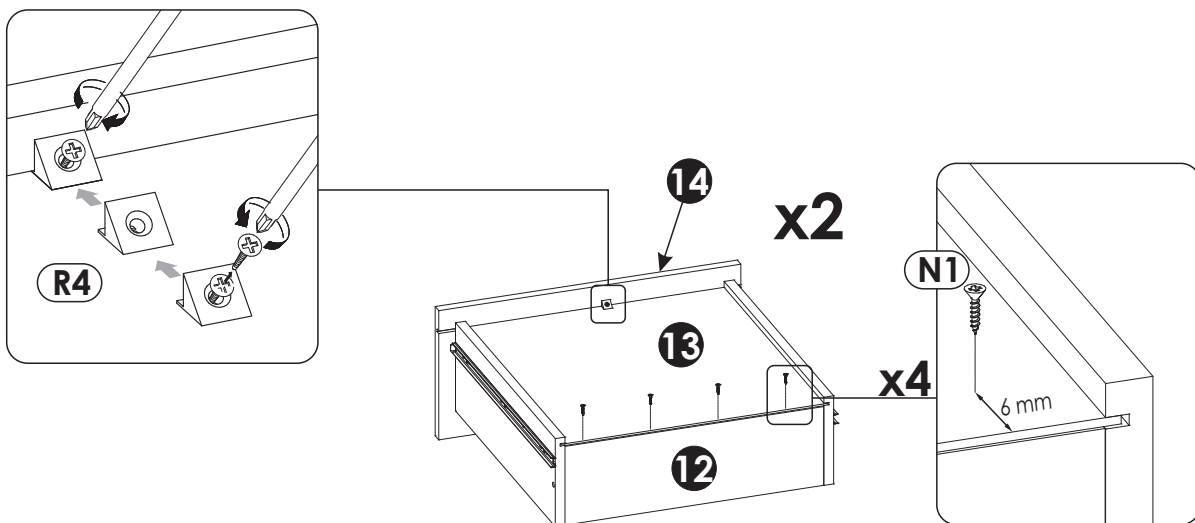
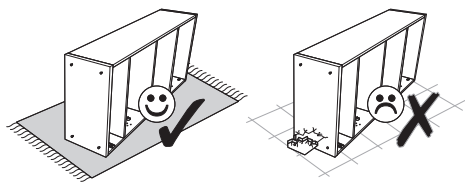
31 ▶

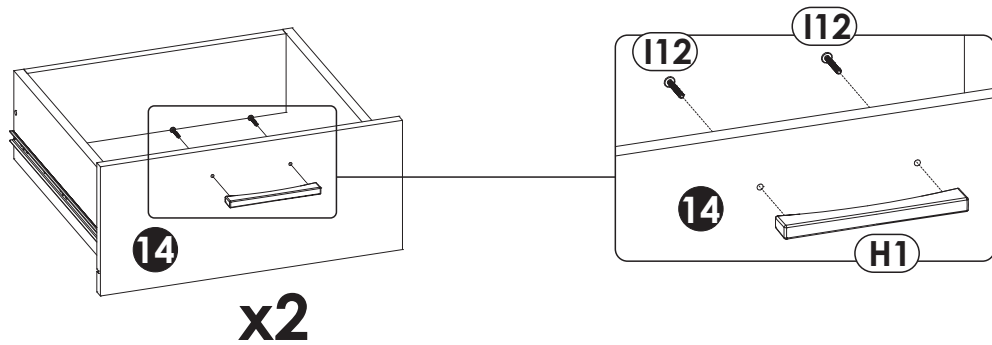
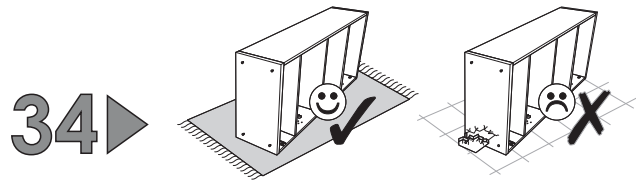


32 ▶

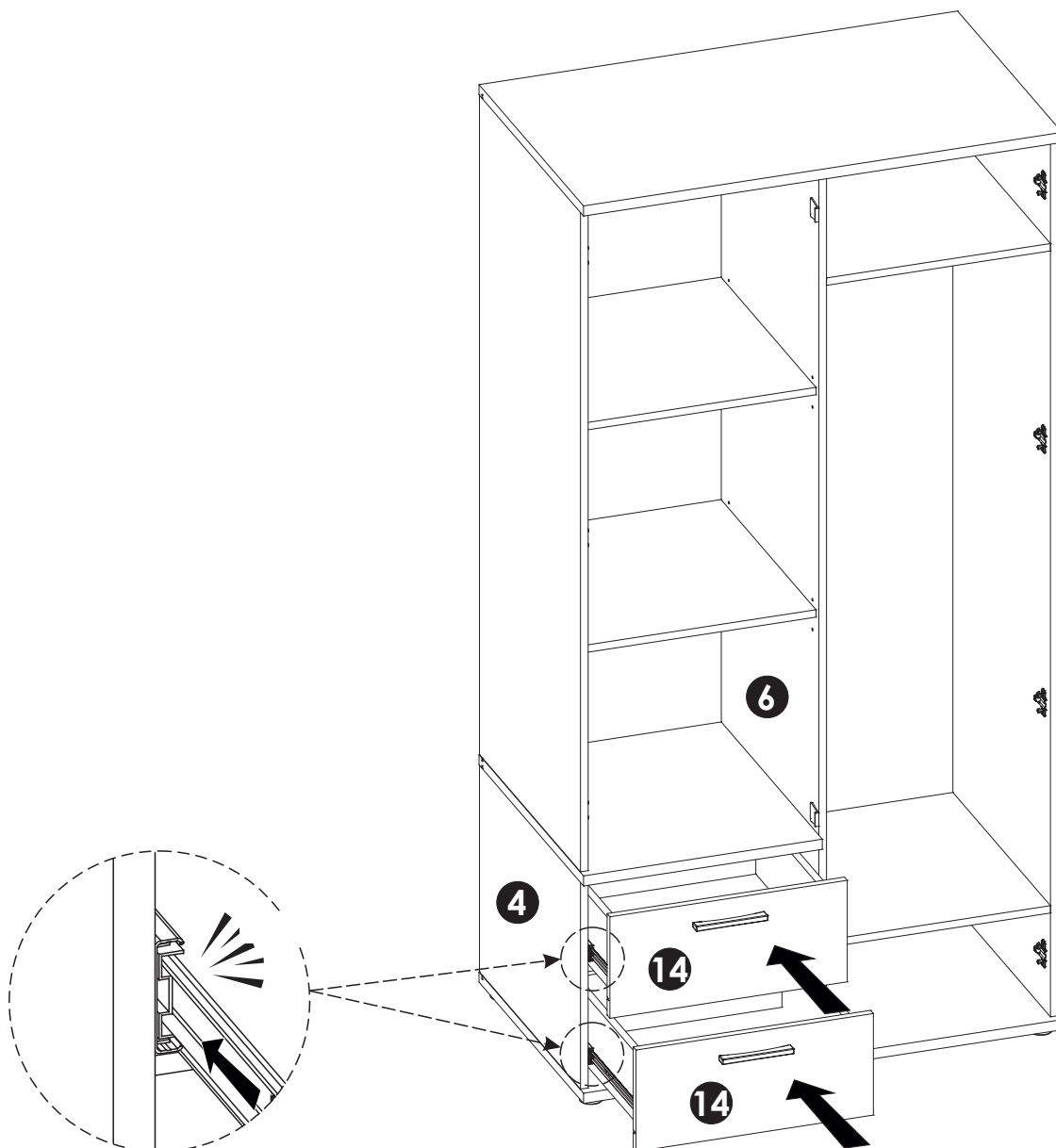


33 ▶

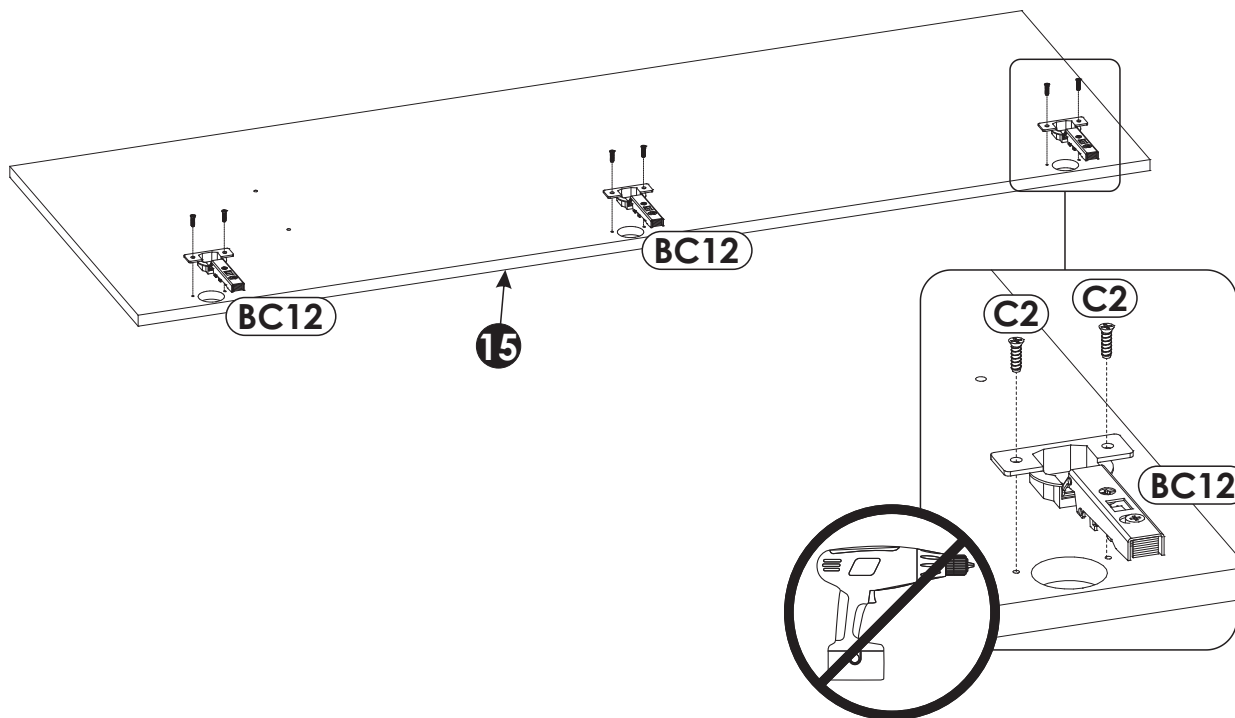
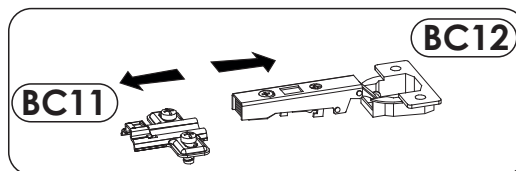
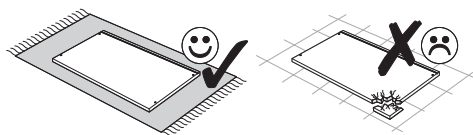




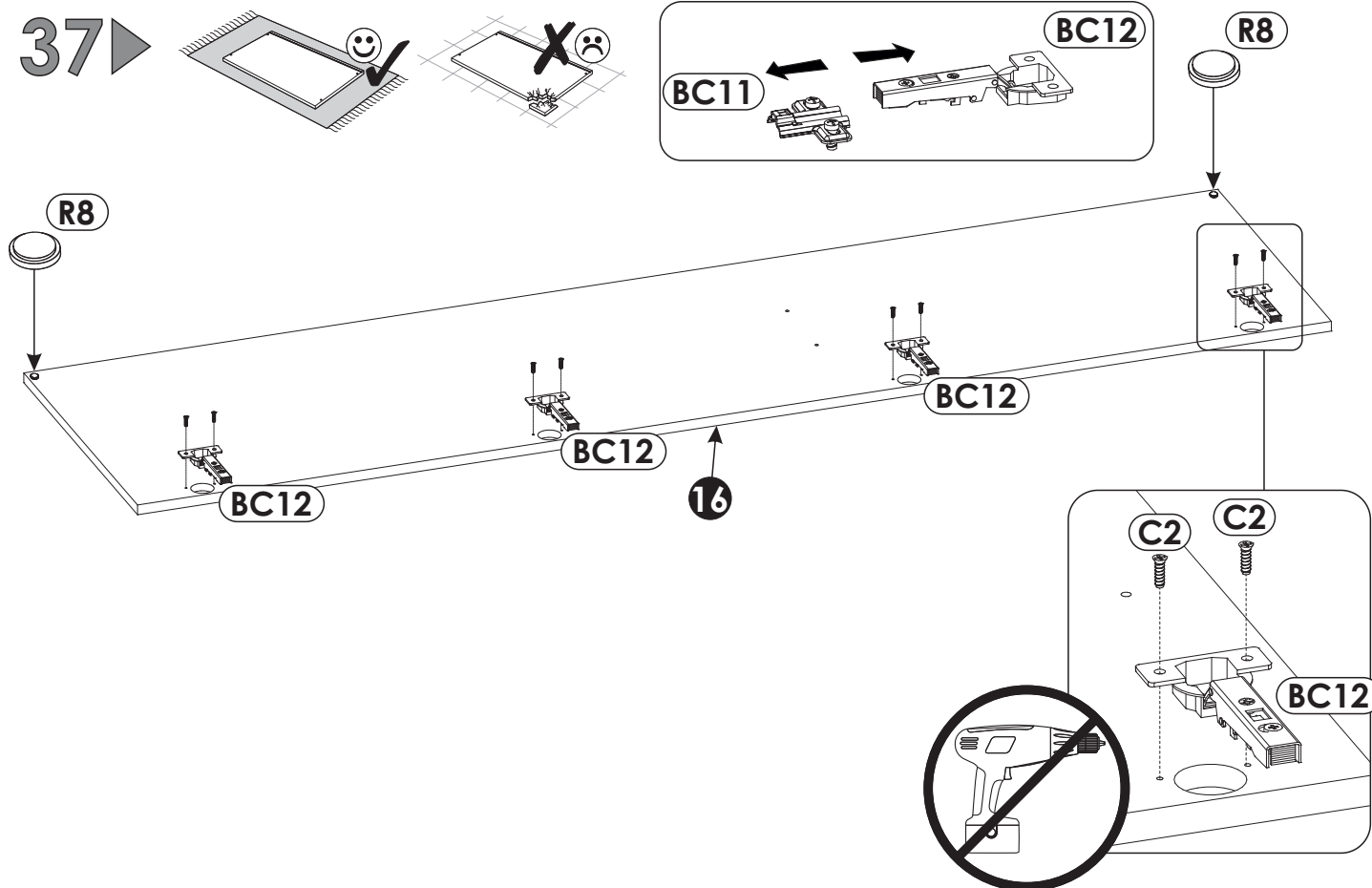
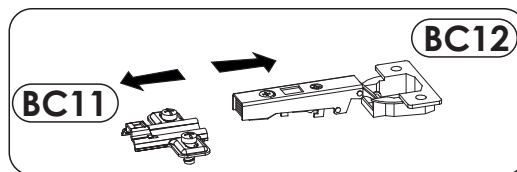
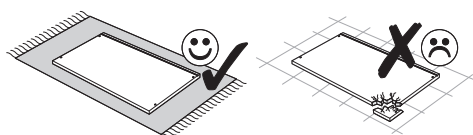
35 ▶

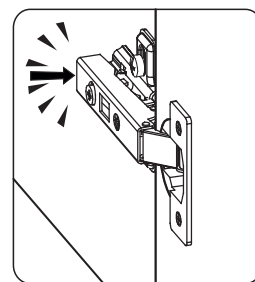
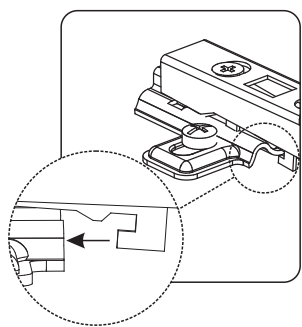
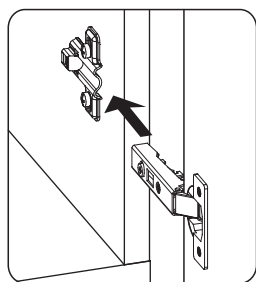
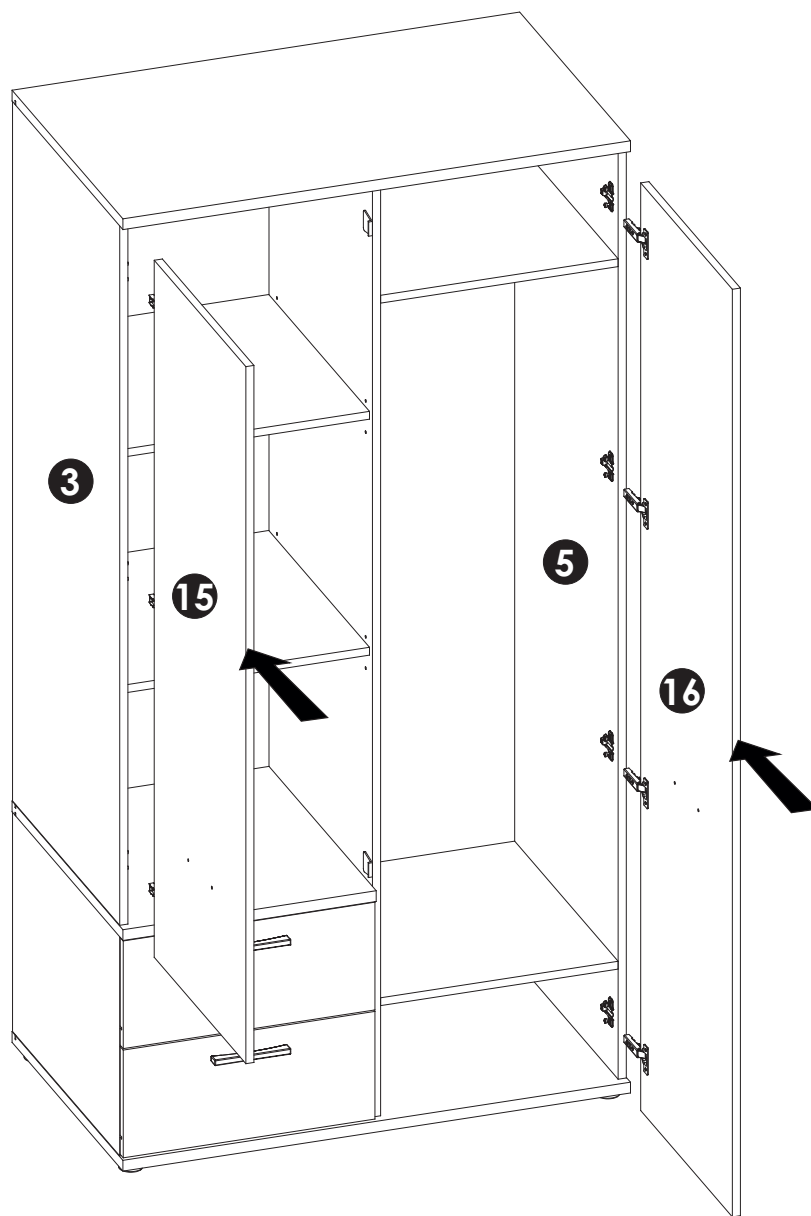


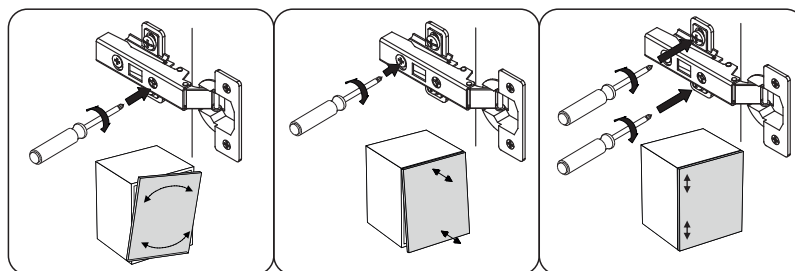
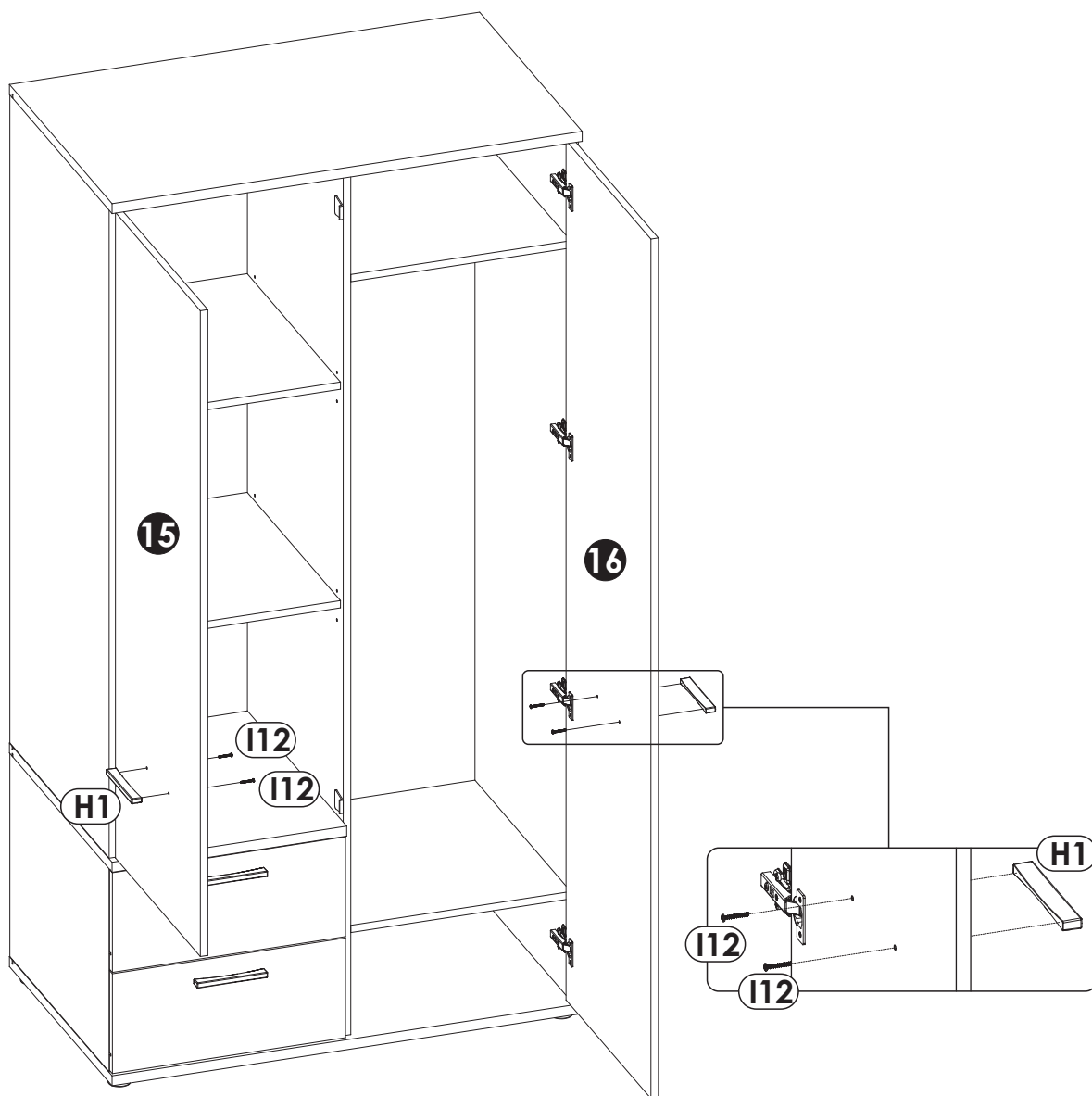
36 ▶



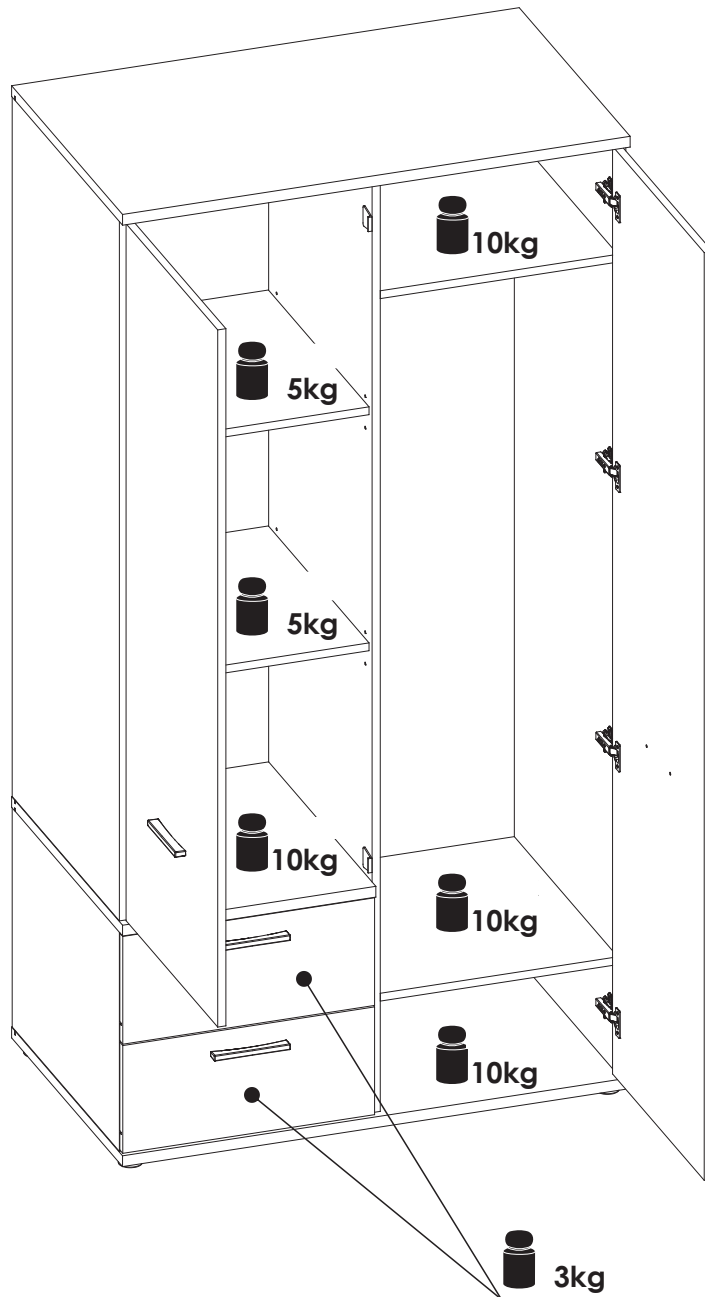
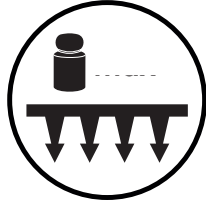
37 ▶

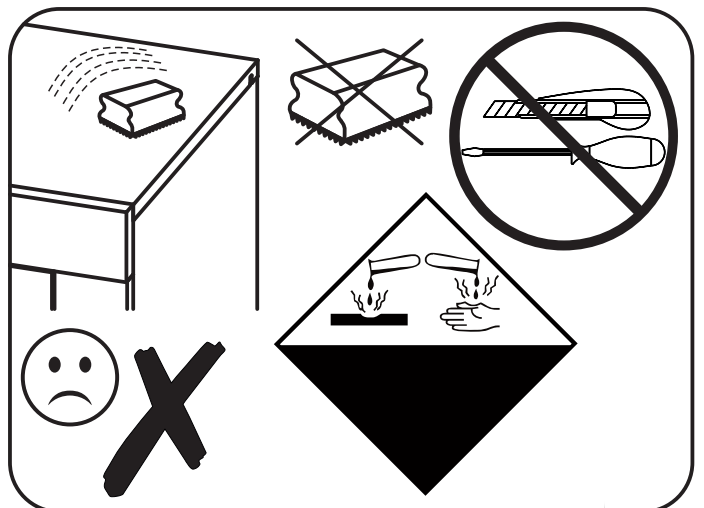
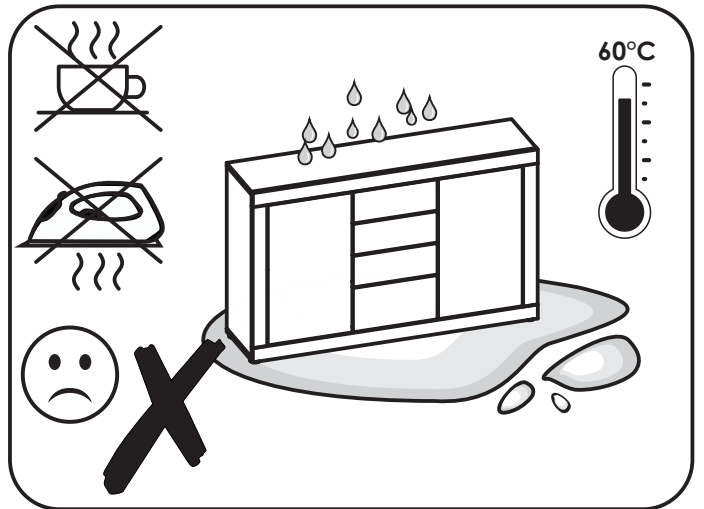
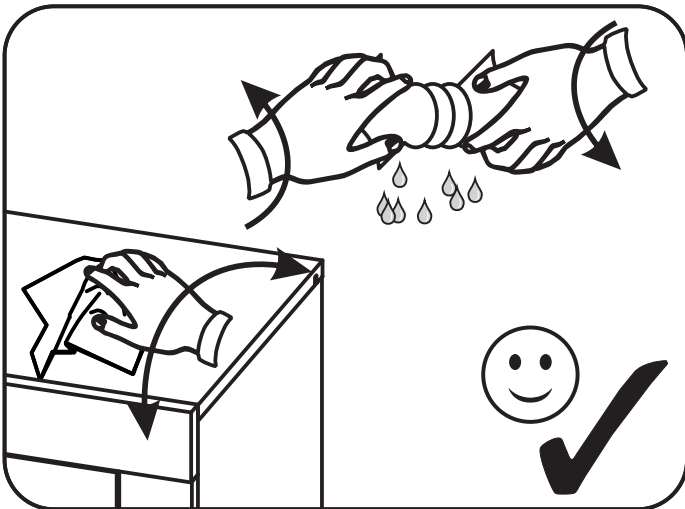
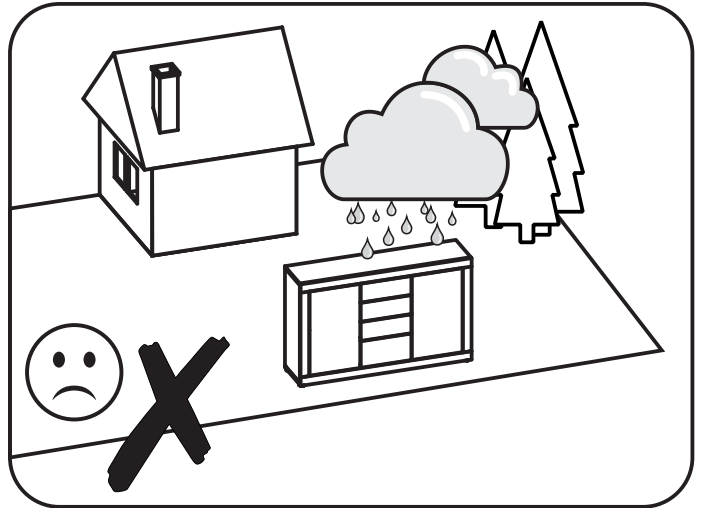
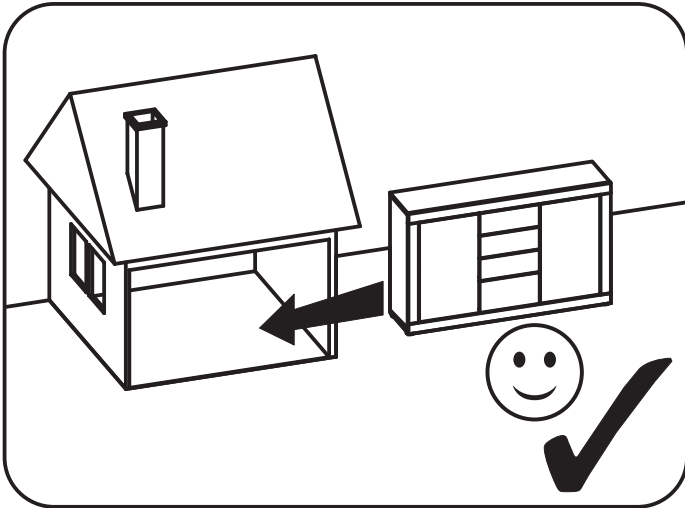


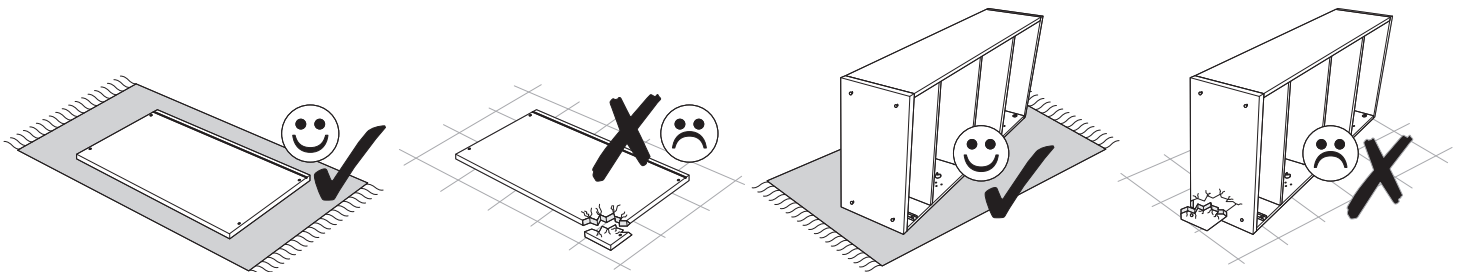
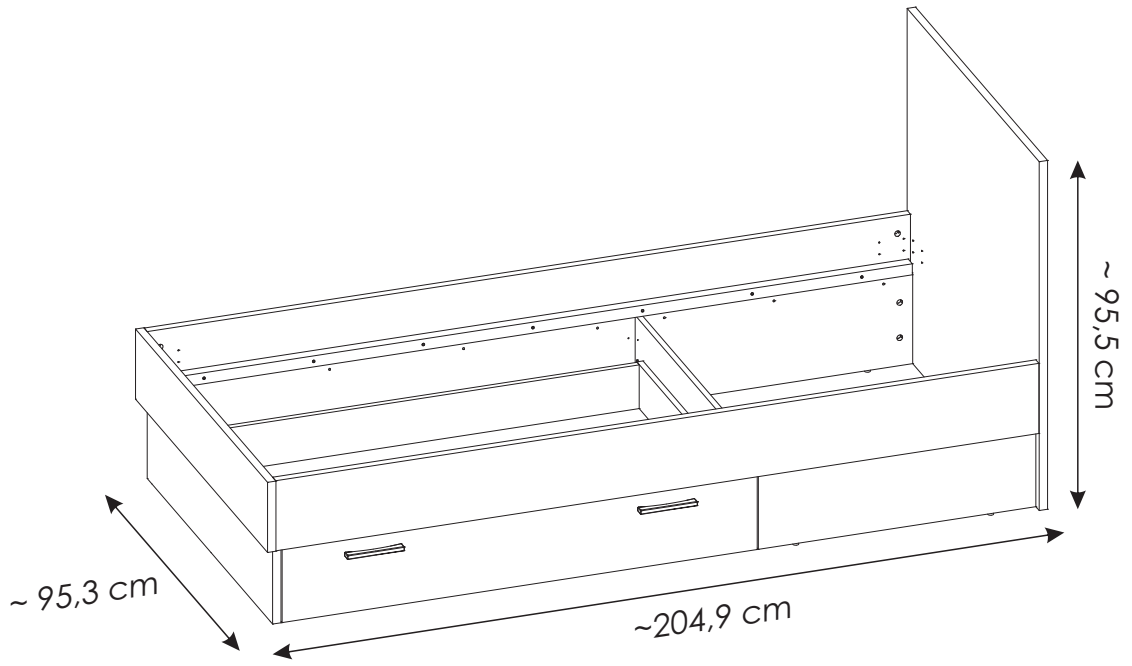
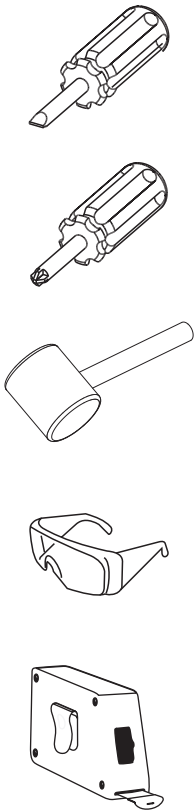
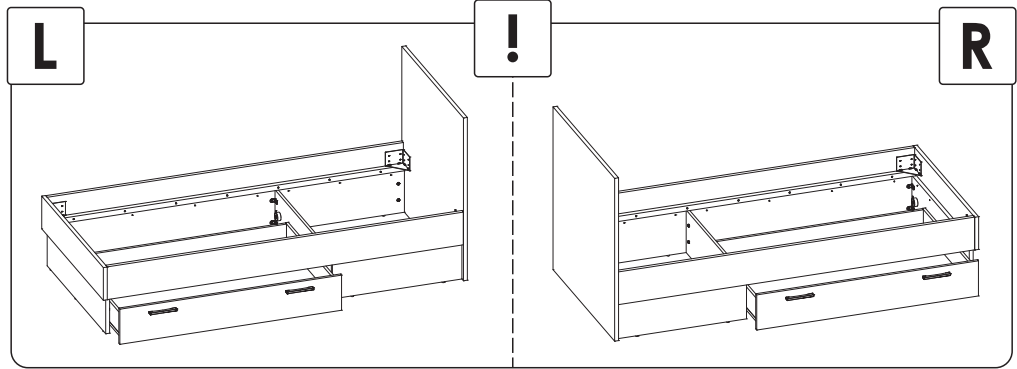
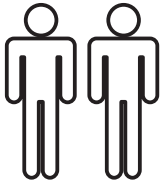
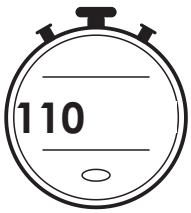


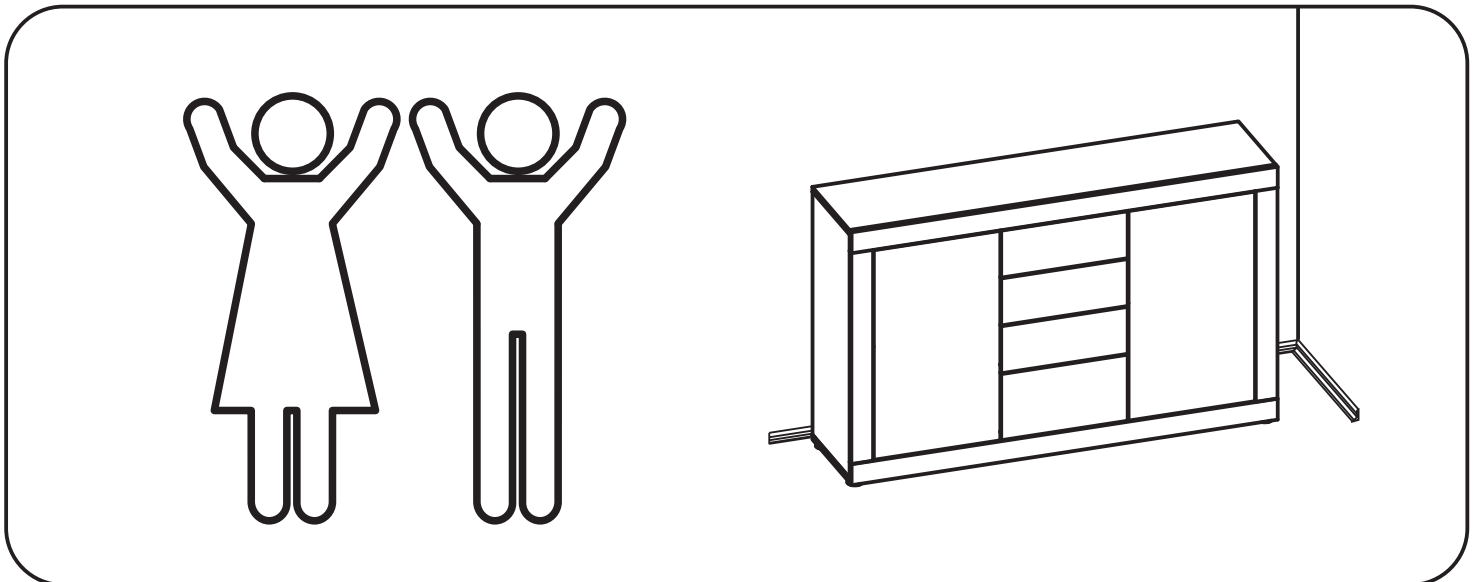
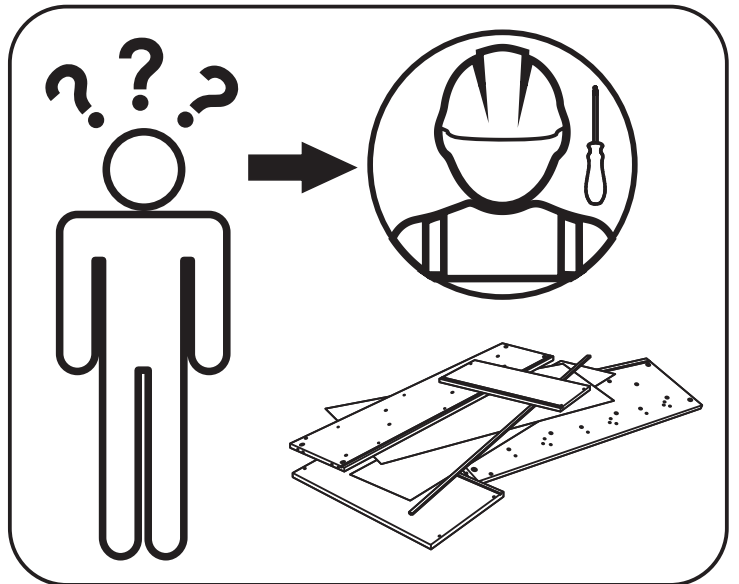
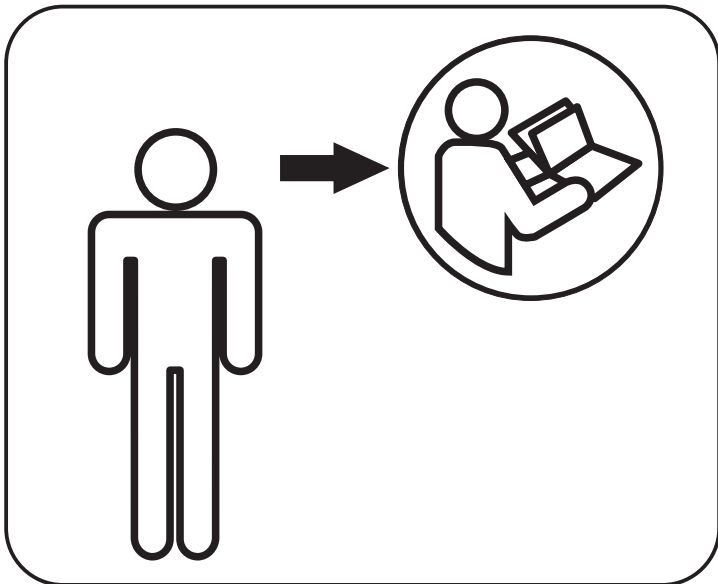
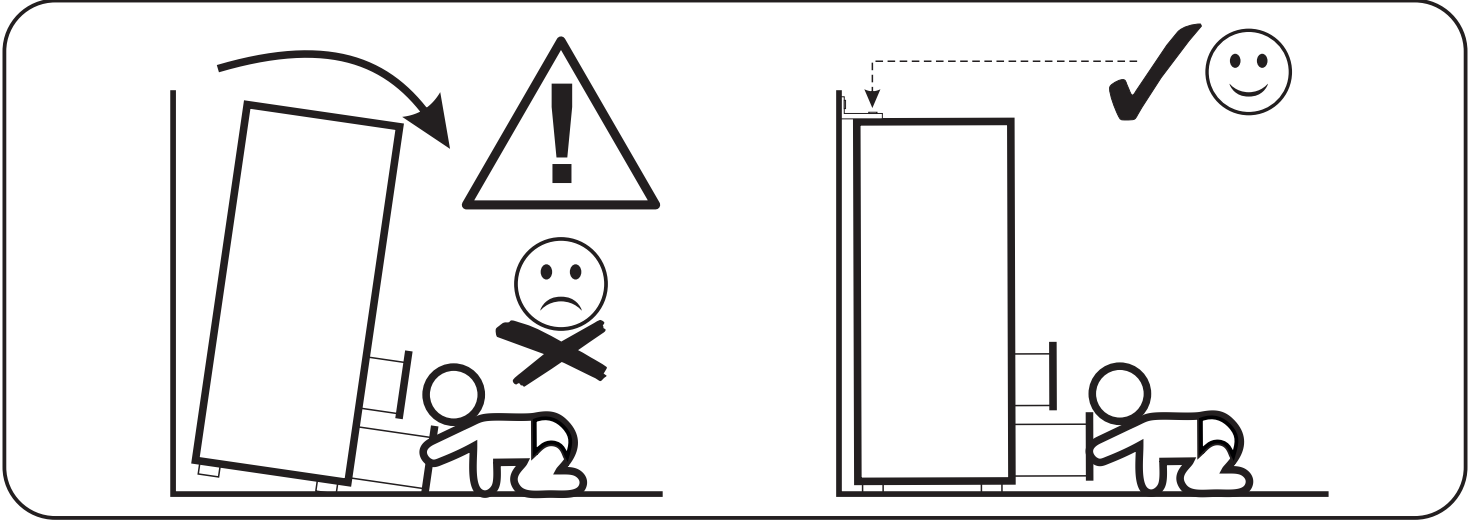
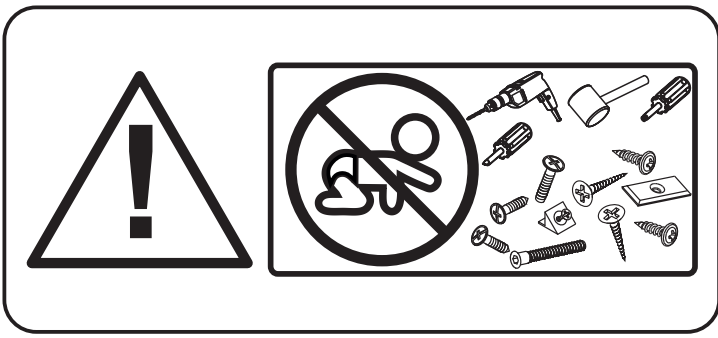


40▶

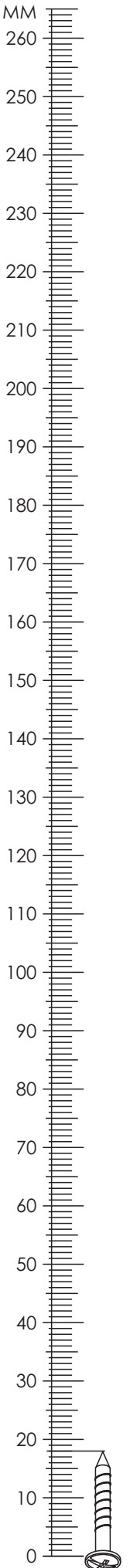


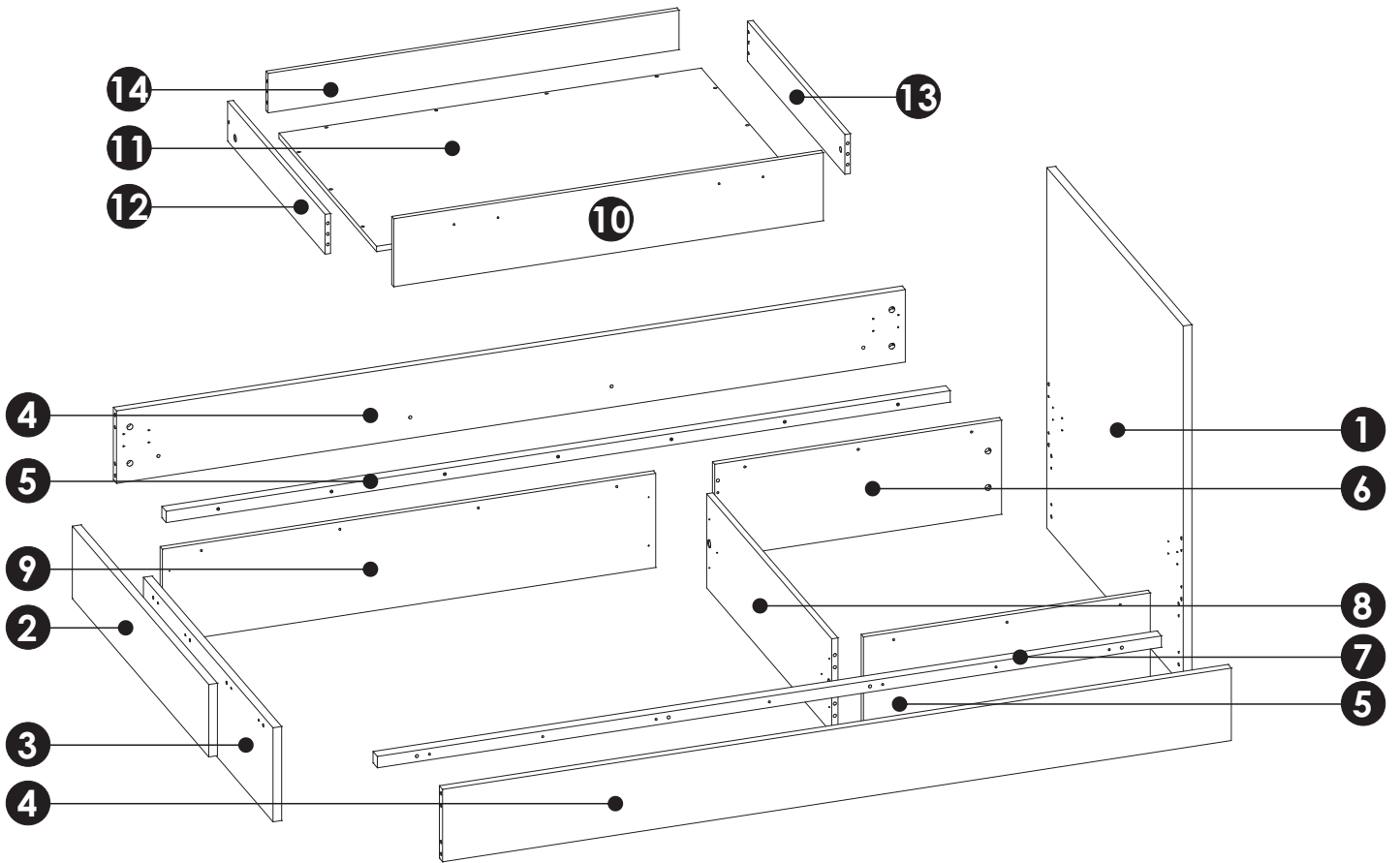
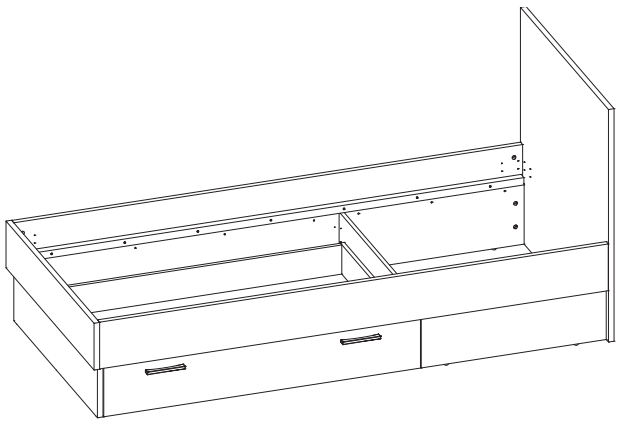






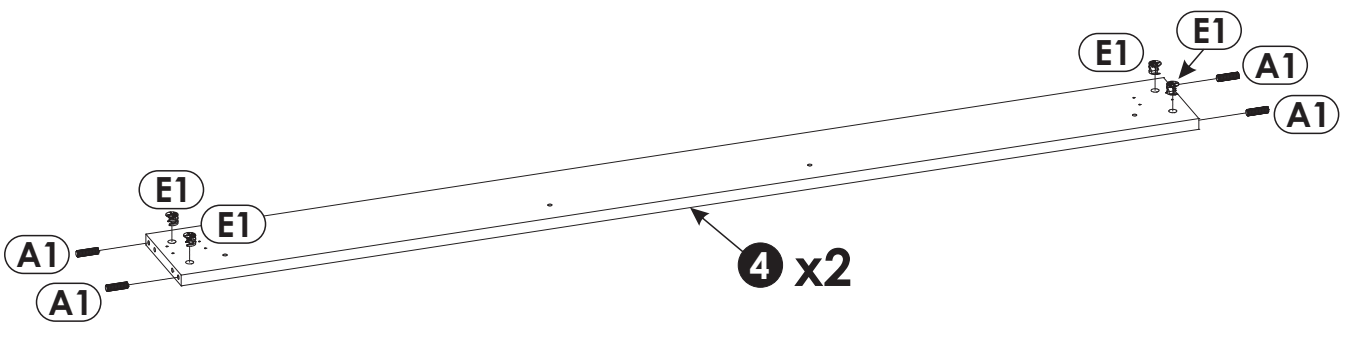
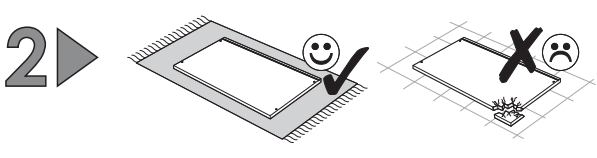
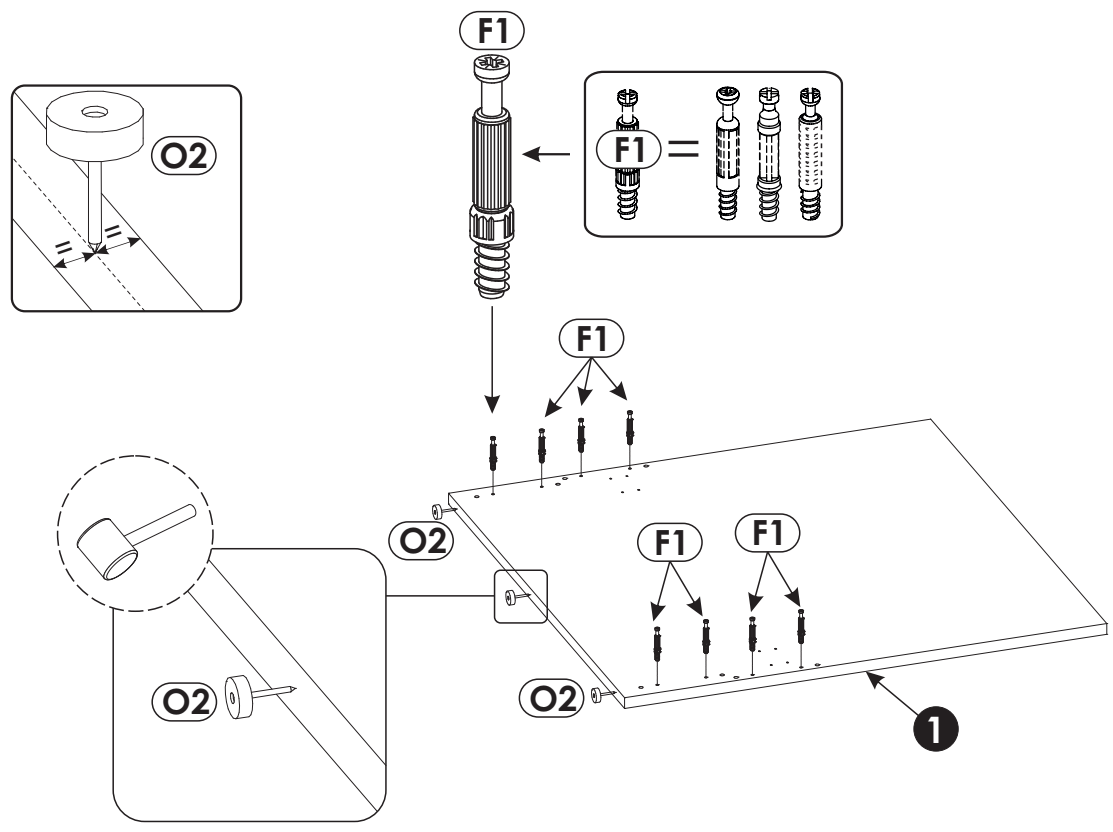
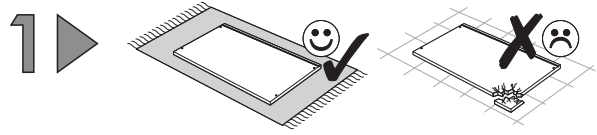
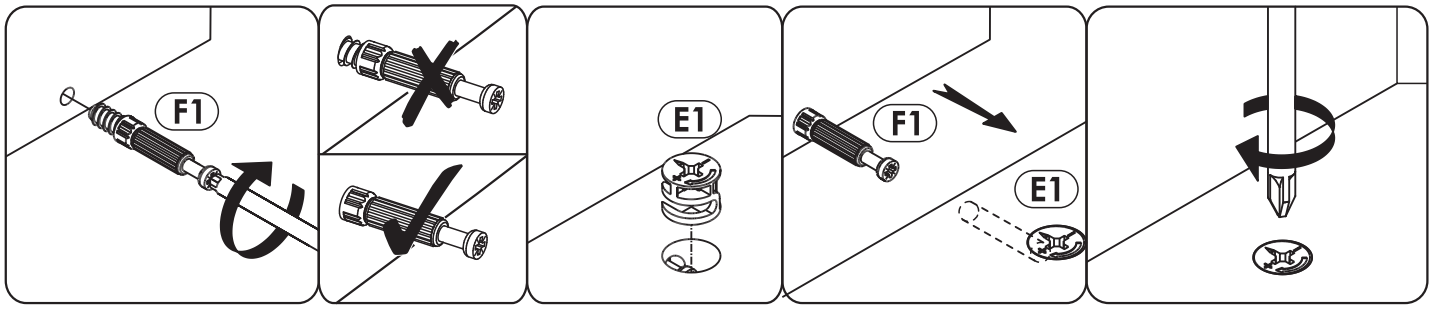
| | | | | | | | | |
|------------|-----------|-----|------------|------------|-----|-----------|-------------|-----|
| A1 | 8 x 35 mm | x28 | A6 | 8 x 24 mm | x12 | C2 | 5 x 13 mm | x32 |
| E0 | Ø16 | x2 | E1 | 15 x 12 mm | x22 | F1 | 6 x 34 mm | x22 |
| G0 | | x2 | G1 | 7 x 50 mm | x12 | H1 | L - 150 mm | x2 |
| I0 | 3 x 13 mm | x8 | I2 | 4 x 16 mm | x8 | I4 | 3,5 x 27 mm | x2 |
| I12 | 4 x 27 mm | x4 | M | | x1 | N5 | 3,5 x 16 mm | x8 |
| N15 | 4 x 35 mm | x14 | N17 | 4 x 45 mm | x14 | O1 | | x2 |
| O2 | | x15 | O5 | | x4 | O6 | | x4 |
| Q8 | | x4 | W1 | | x4 | | | |

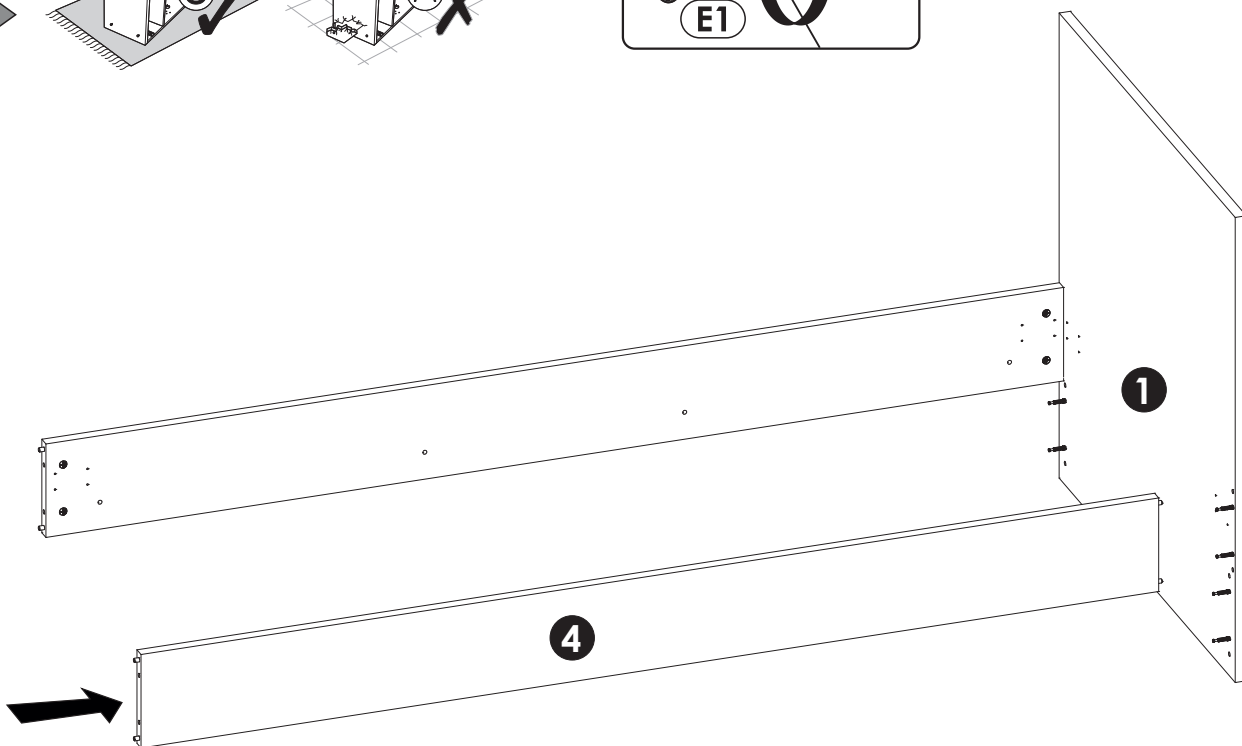
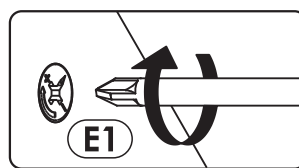
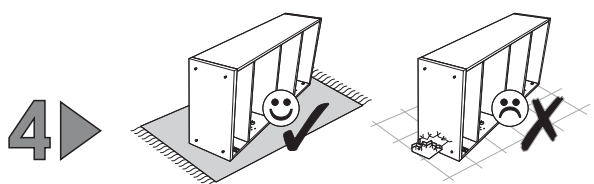
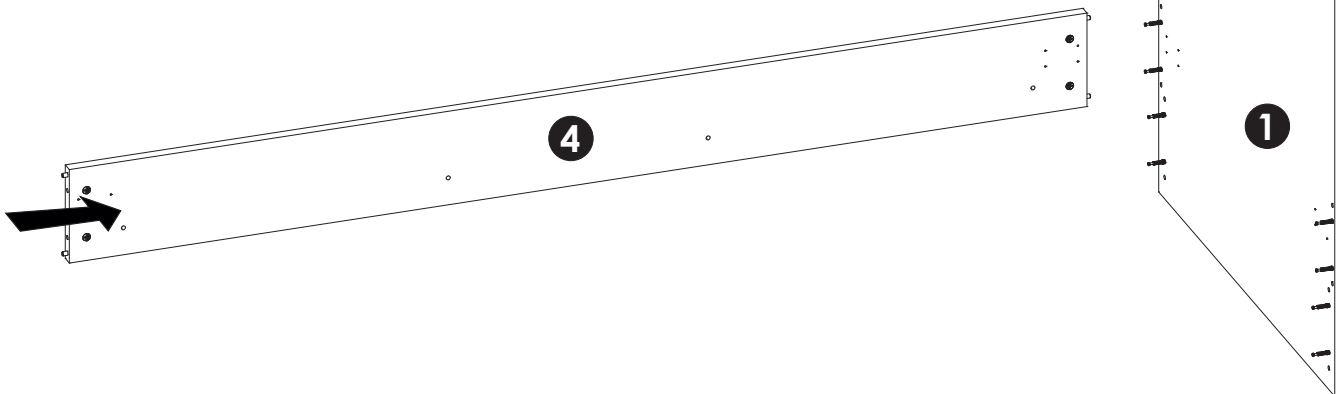
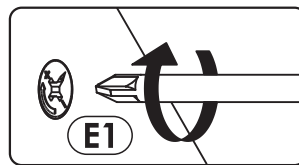
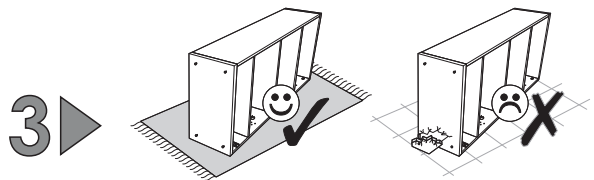




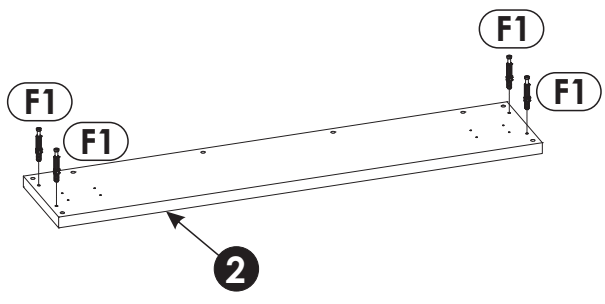
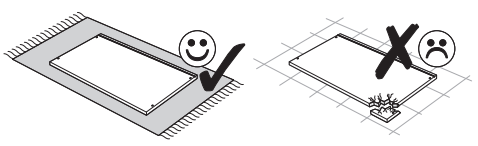
| | | | | | |
|----------|------|-----|----|----|-----|
| 1 | 953 | 950 | 22 | x1 | 3/3 |
| 2 | 953 | 191 | 22 | x1 | 3/3 |
| 3 | 905 | 248 | 22 | x1 | 1/3 |
| 4 | 2005 | 191 | 22 | x2 | 2/3 |
| 5 | 1993 | 30 | 30 | x2 | 2/3 |
| 6 | 729 | 248 | 16 | x1 | 1/3 |
| 7 | 729 | 248 | 16 | x1 | 1/3 |

| | | | | | |
|-----------|------|-----|----|----|-----|
| 8 | 873 | 248 | 16 | x1 | 1/3 |
| 9 | 1254 | 248 | 16 | x1 | 1/3 |
| 10 | 1248 | 205 | 16 | x1 | 1/3 |
| 11 | 1227 | 779 | 16 | x1 | 3/3 |
| 12 | 778 | 120 | 16 | x1 | 1/3 |
| 13 | 778 | 120 | 16 | x1 | 1/3 |
| 14 | 1194 | 119 | 16 | x1 | 1/3 |

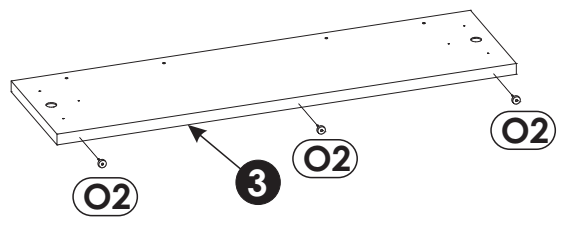
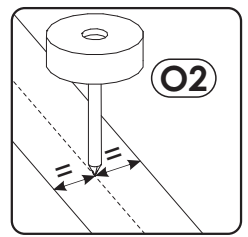
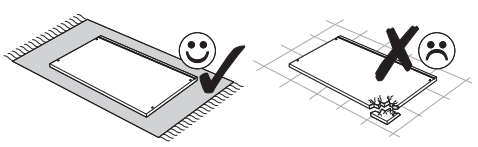


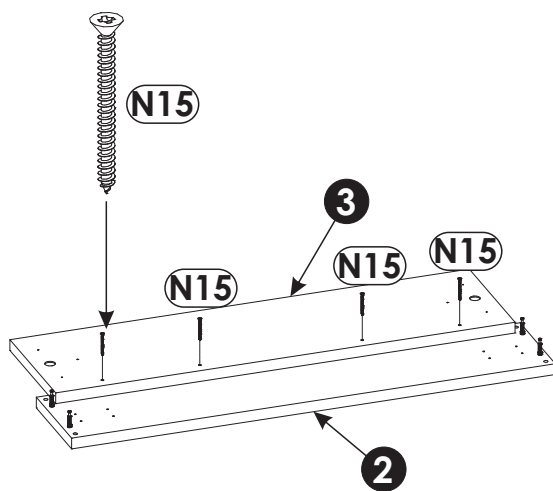
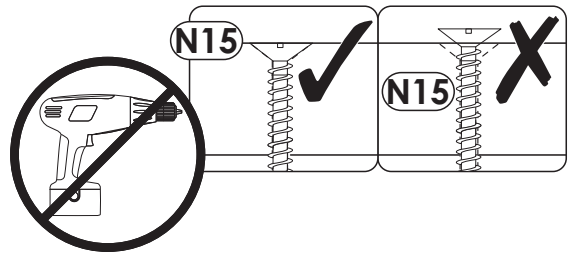
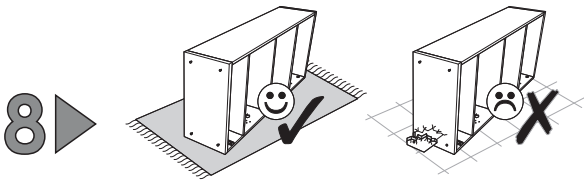
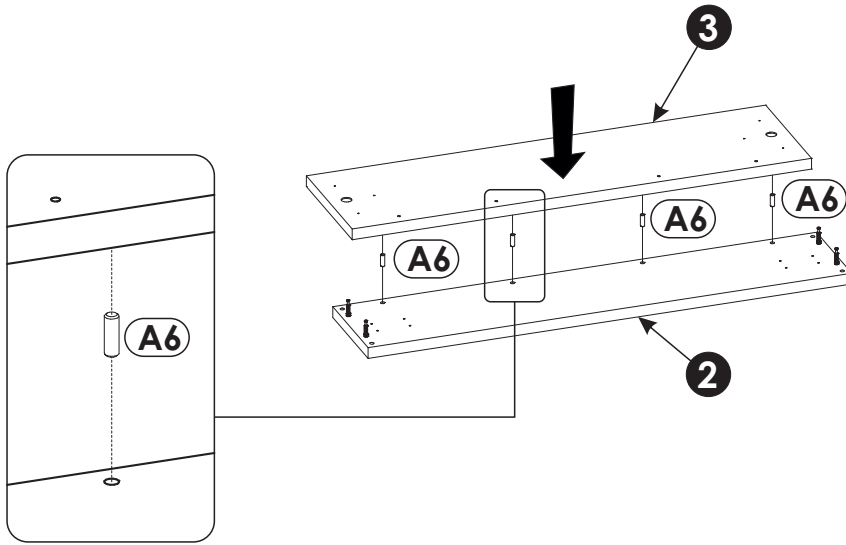
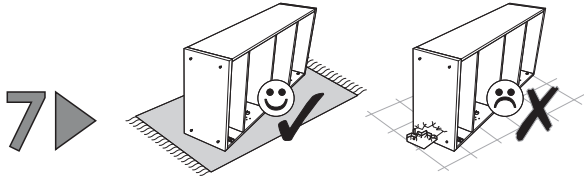


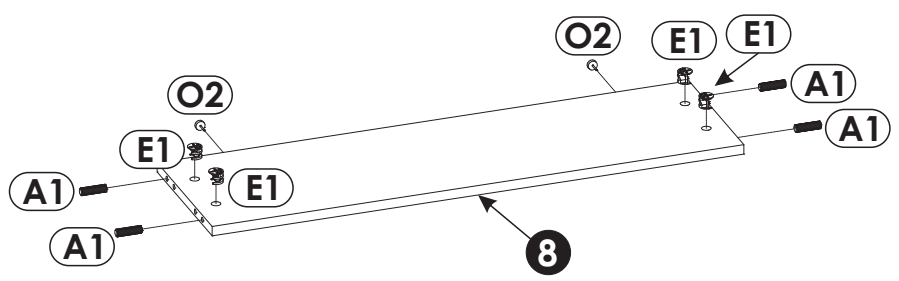
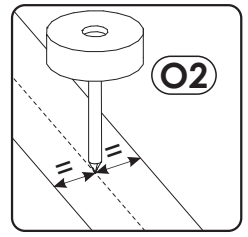
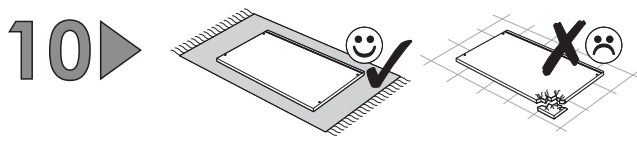
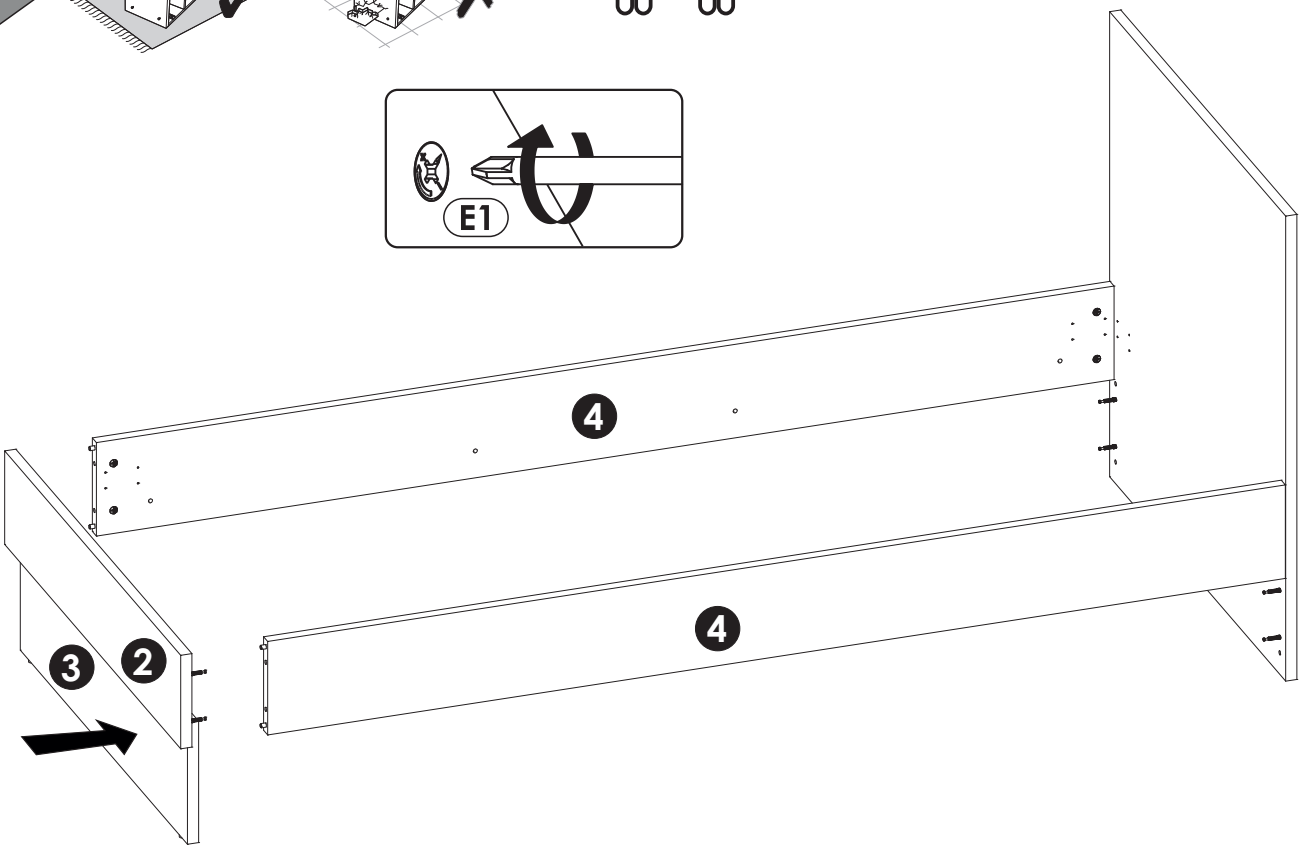
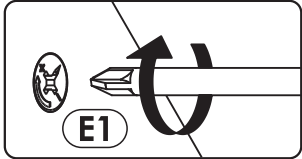
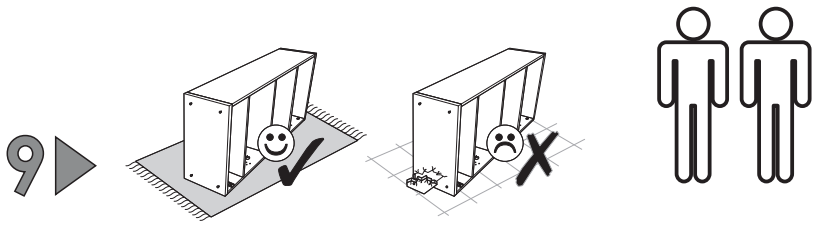
5 ▶



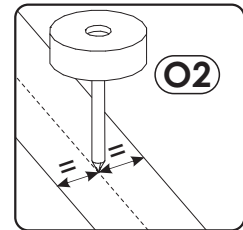
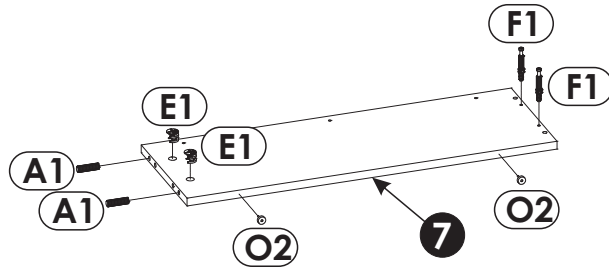
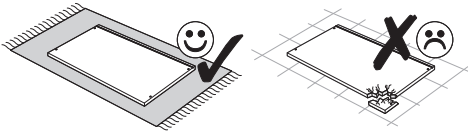
6 ▶



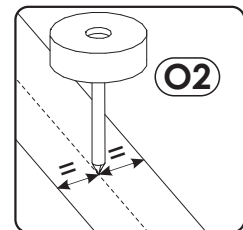
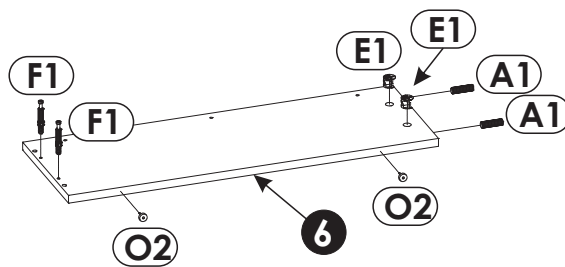
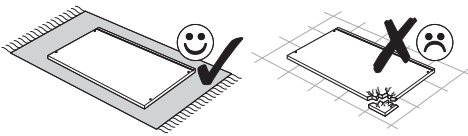


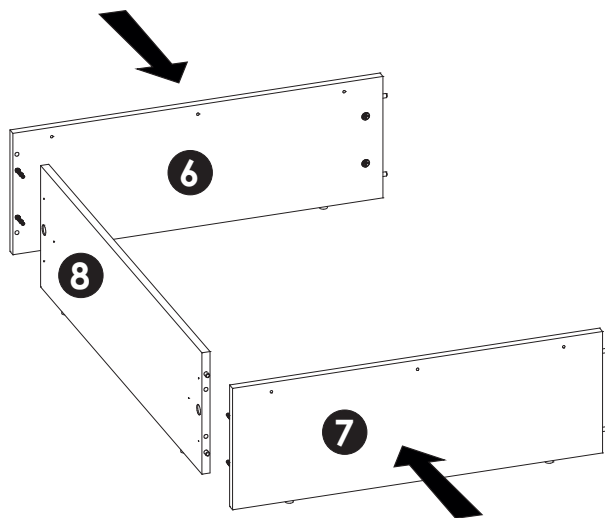
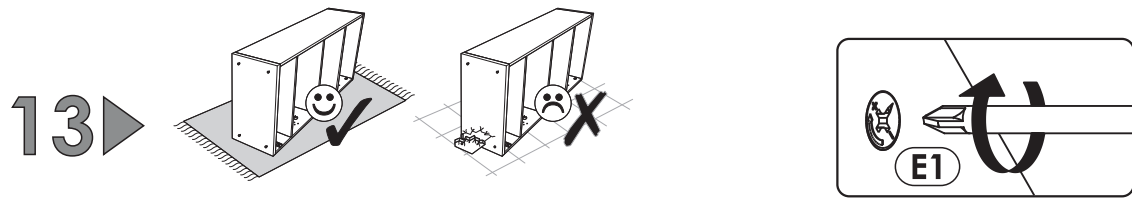


11 ▶

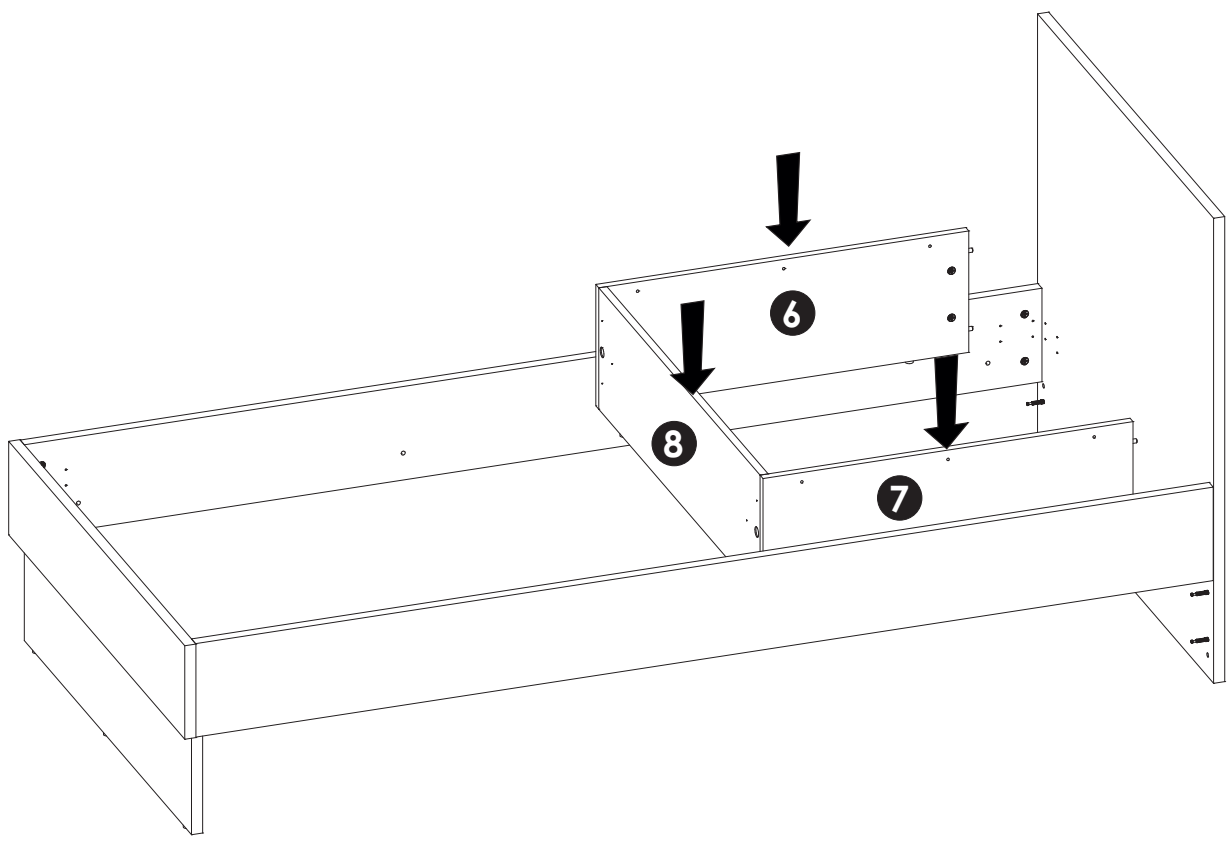


12 ▶

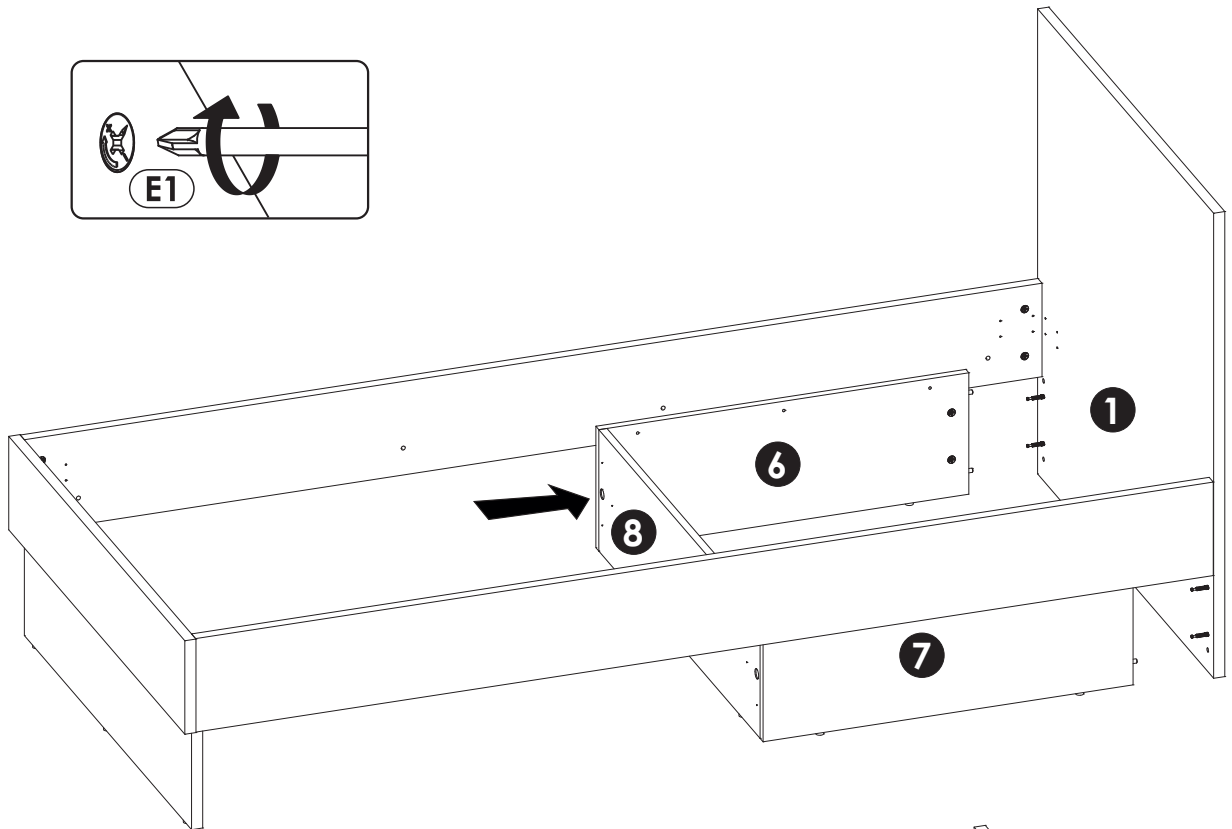
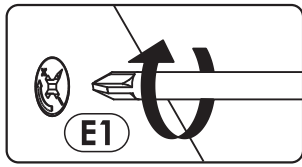




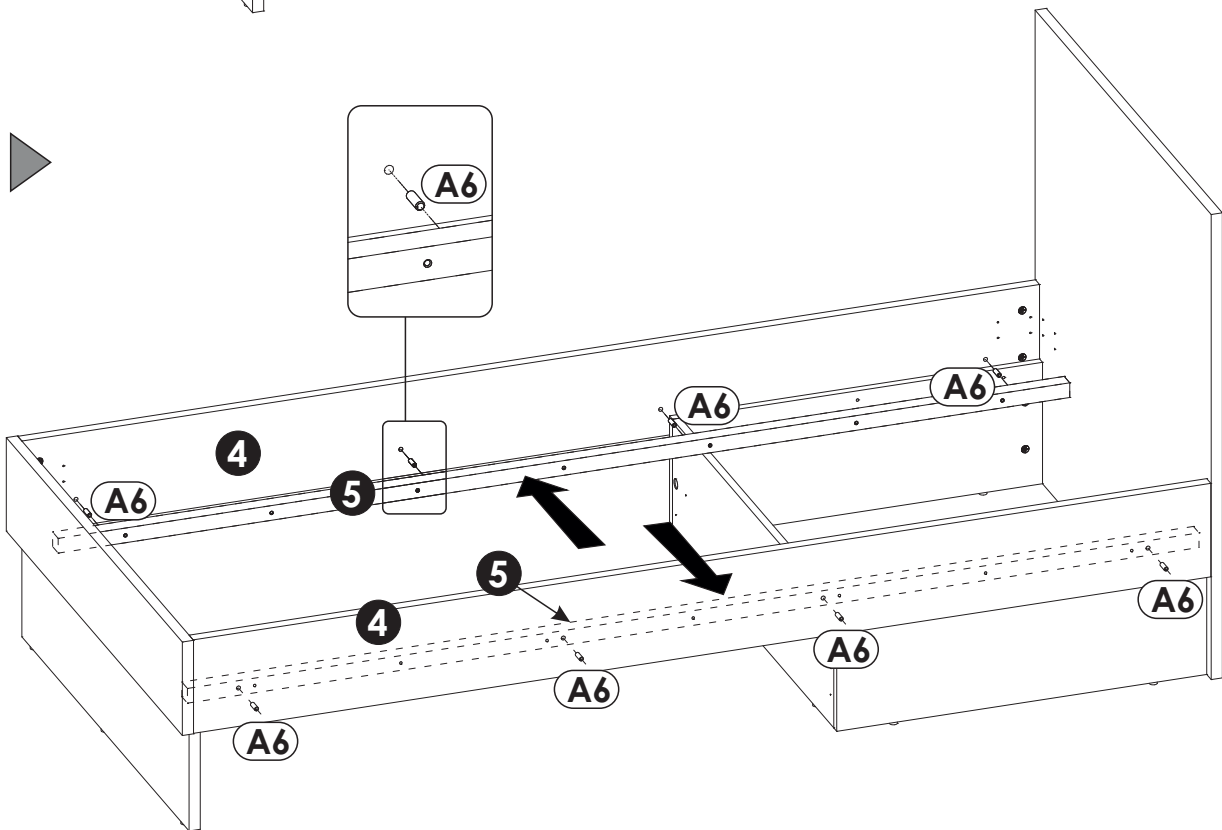
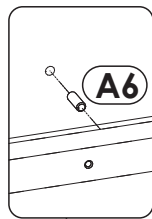
14 ▶



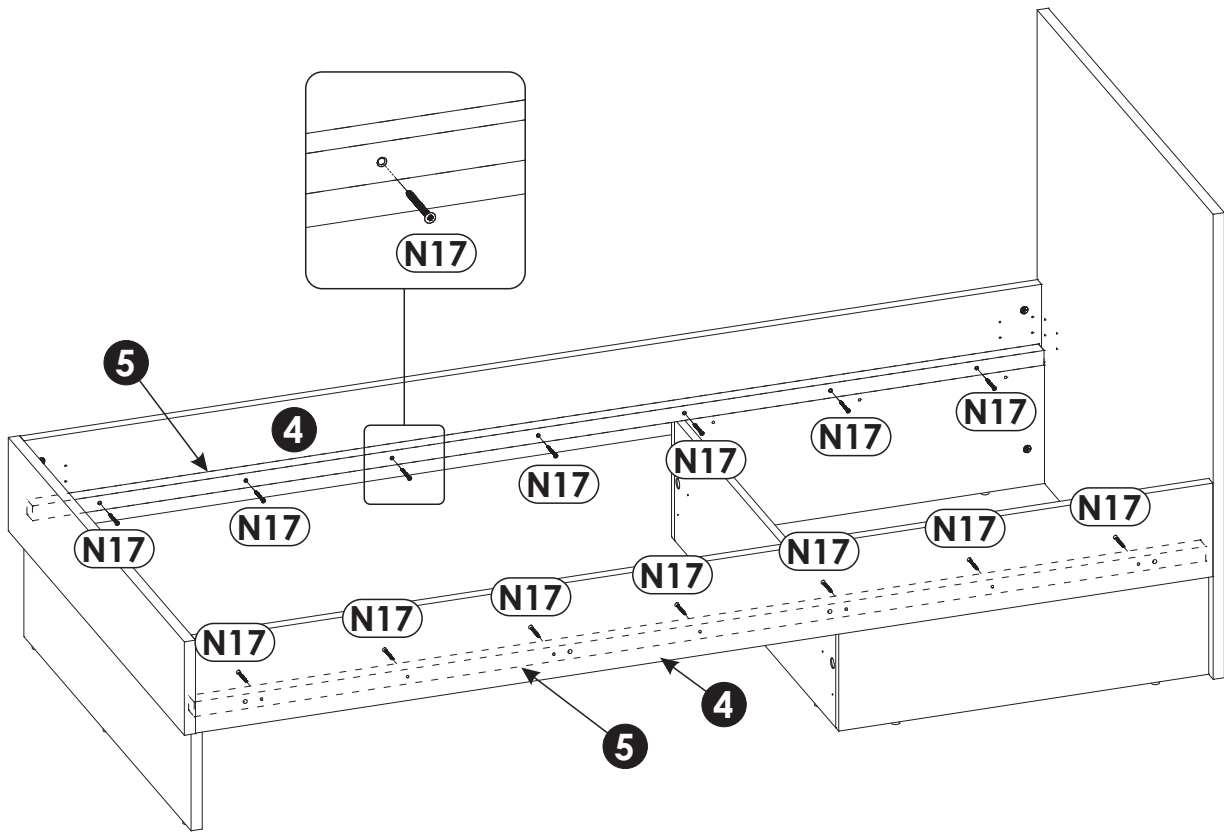
15▶



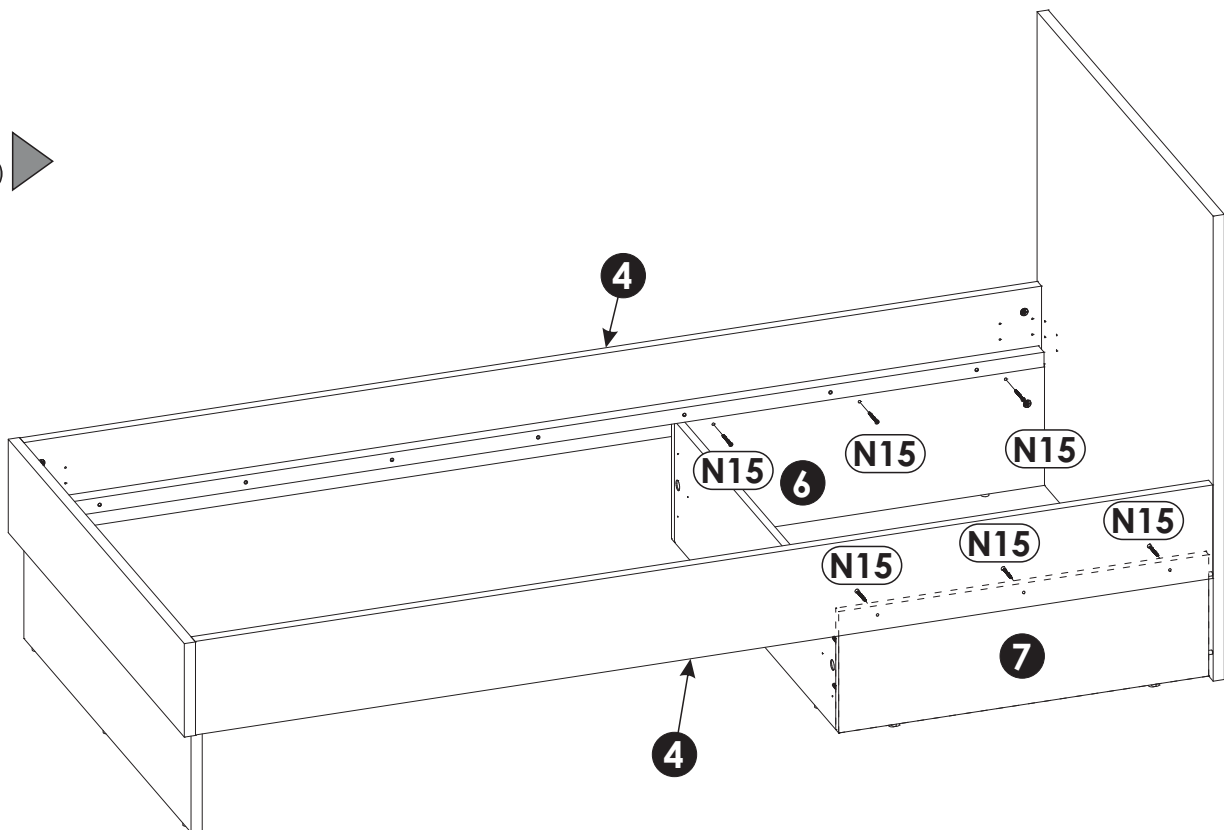
16▶



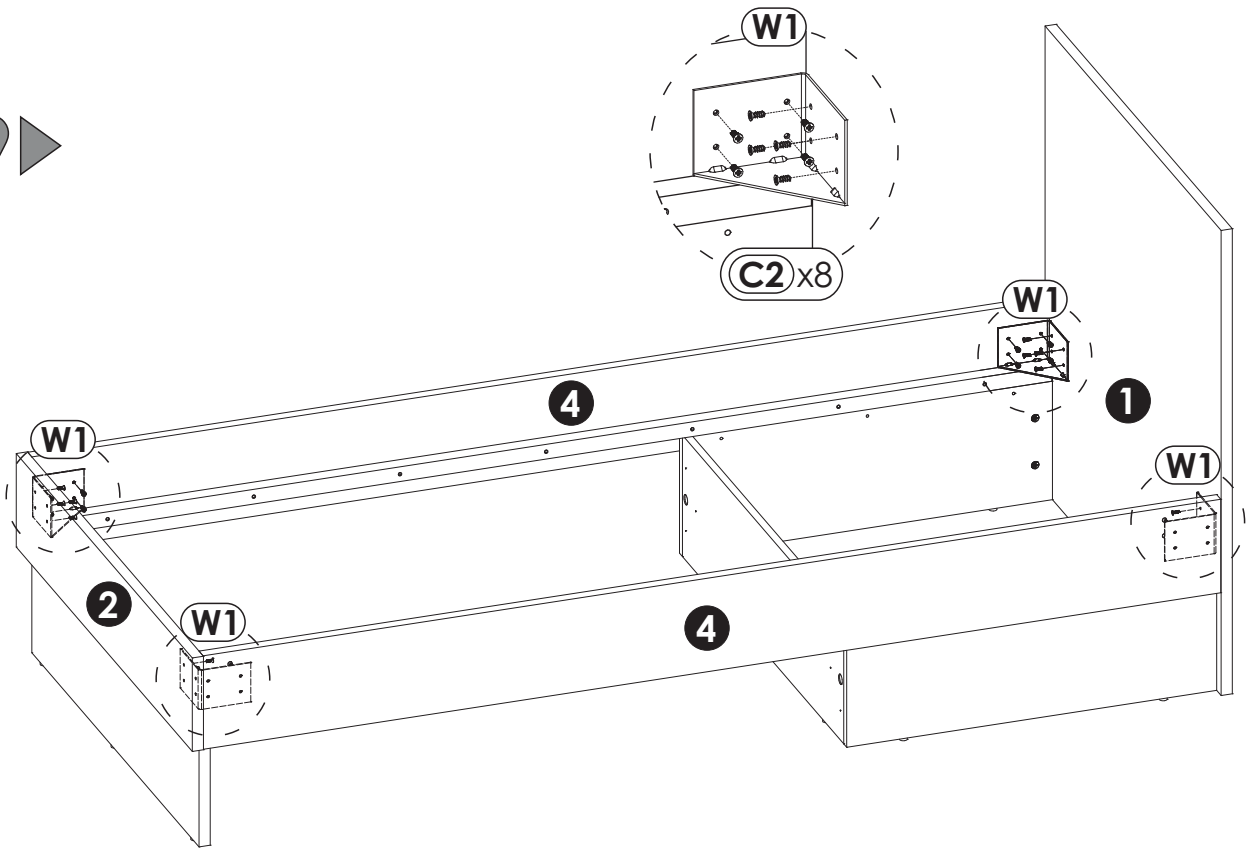
17▶



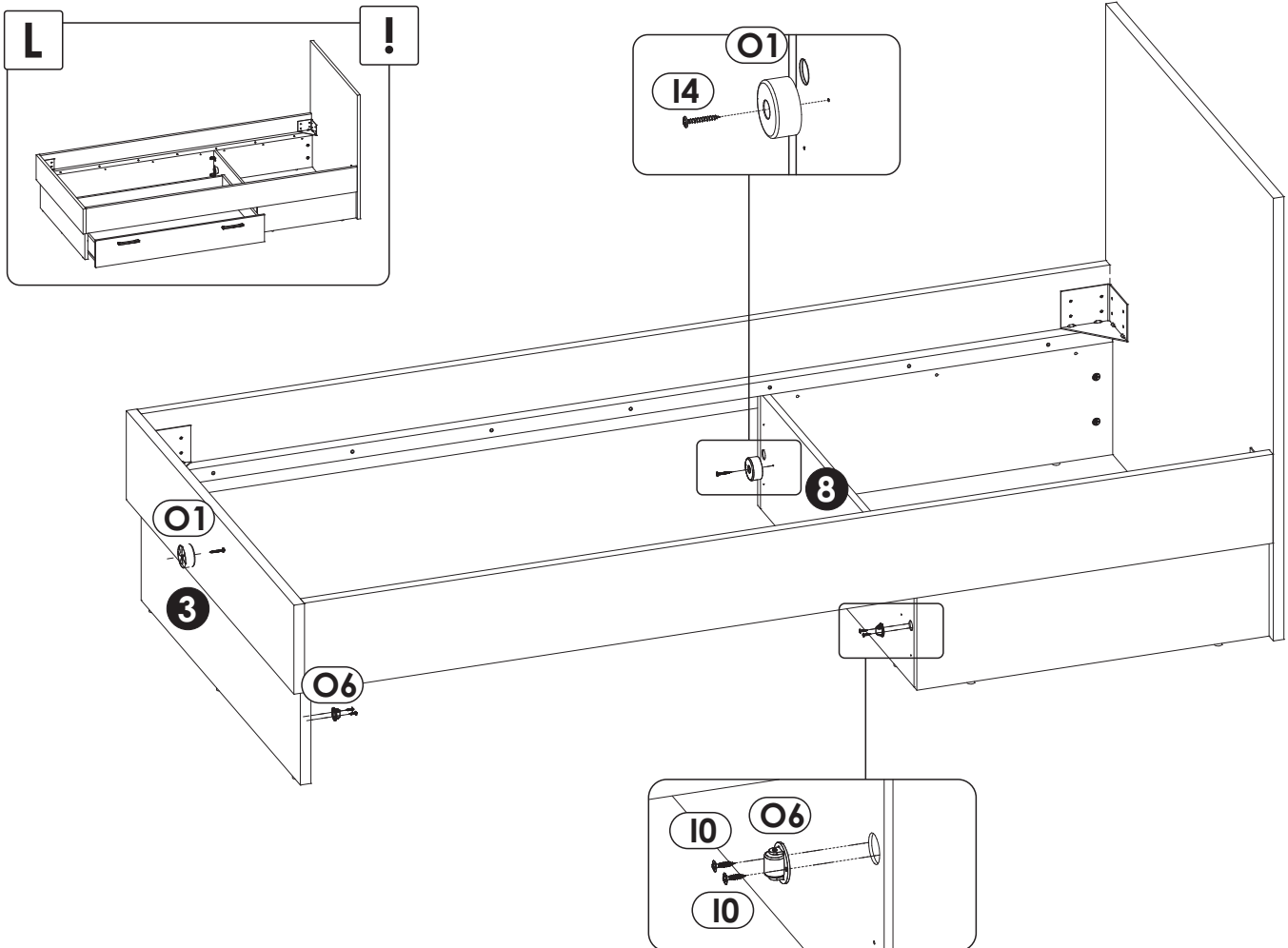
18▶



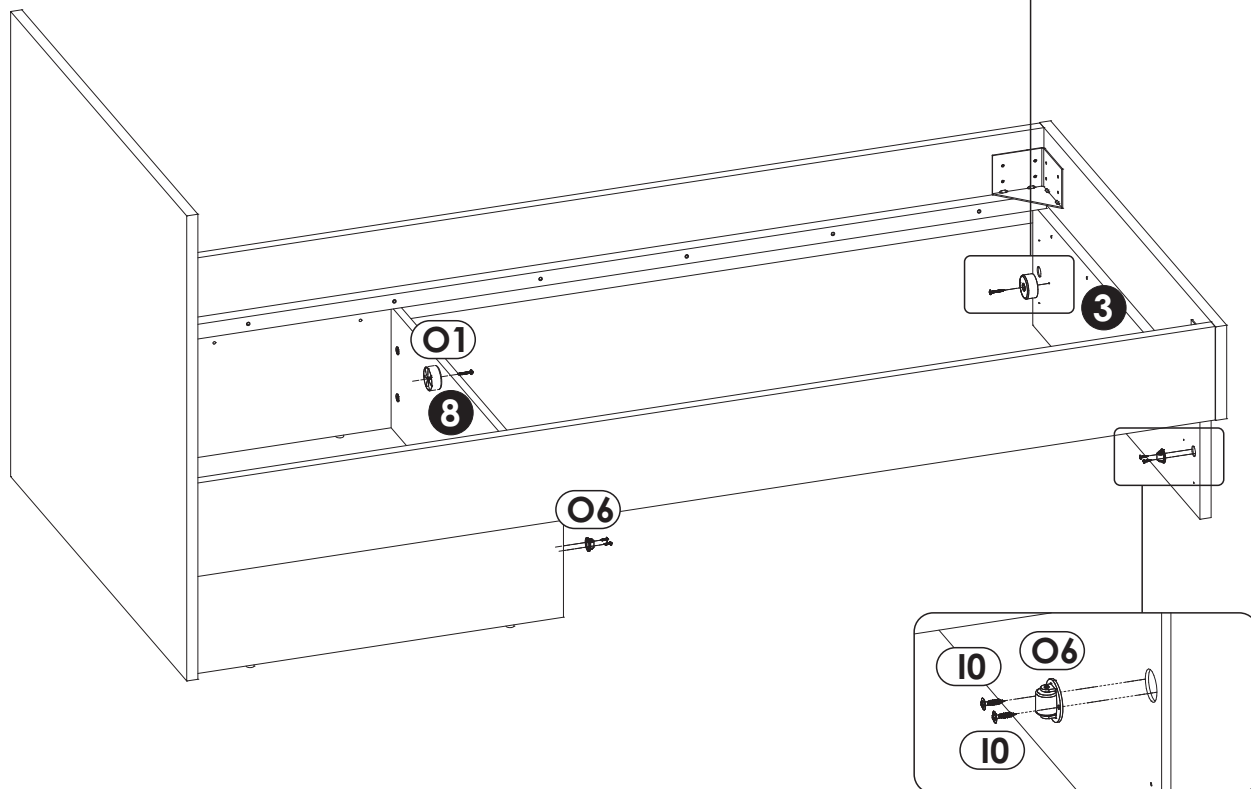
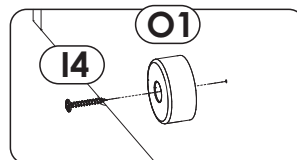
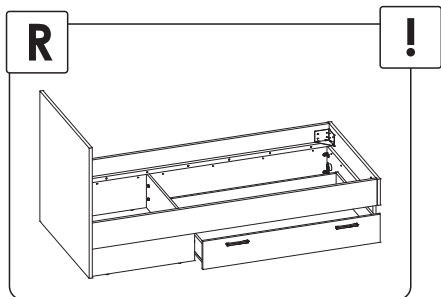
19▶



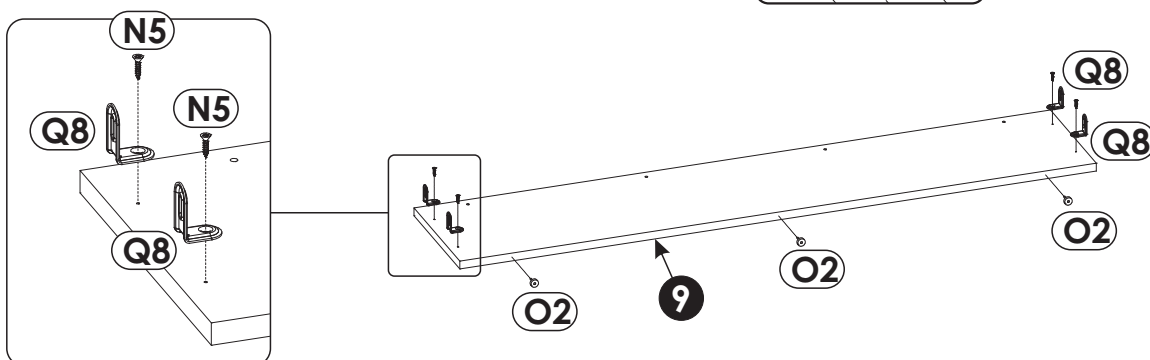
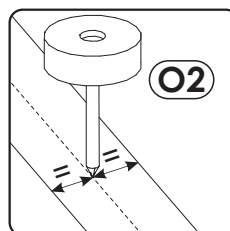
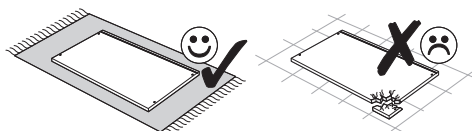
20.L▶



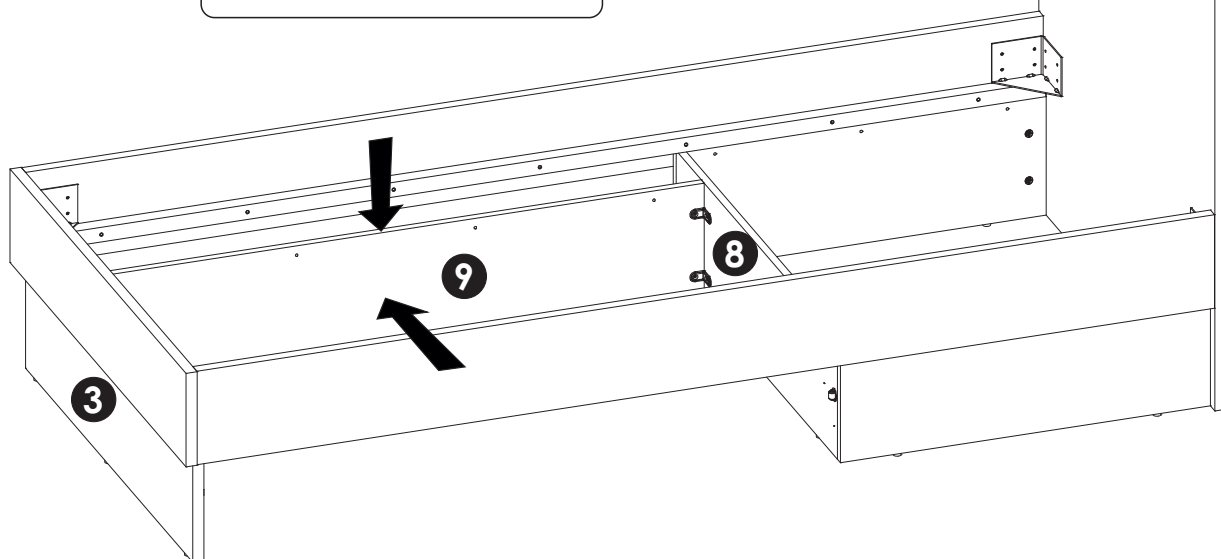
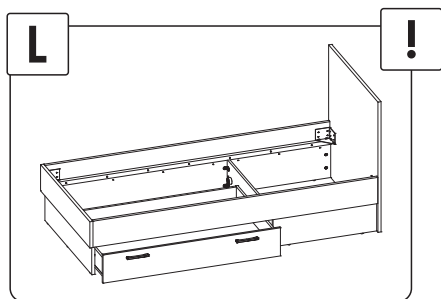
20.R ▶



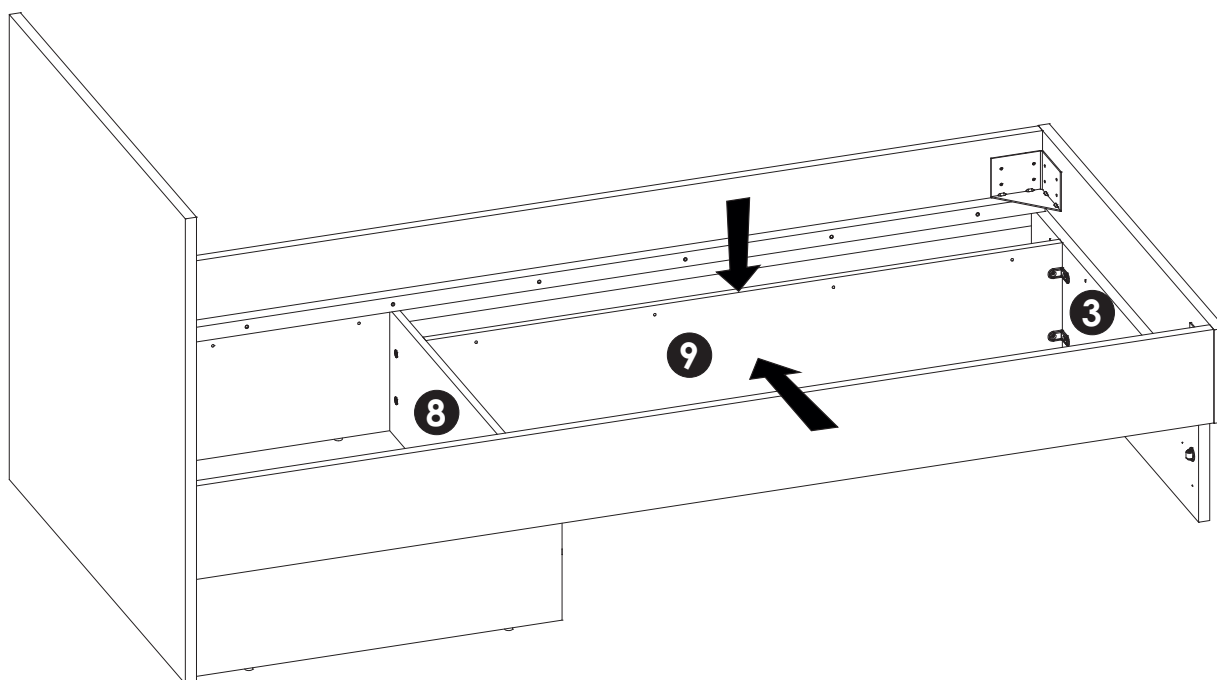
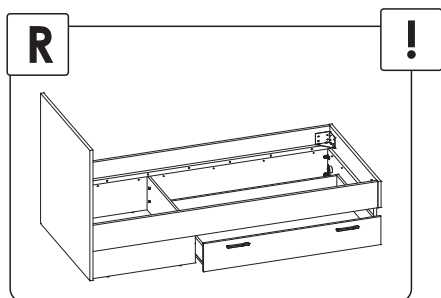
21 ▶



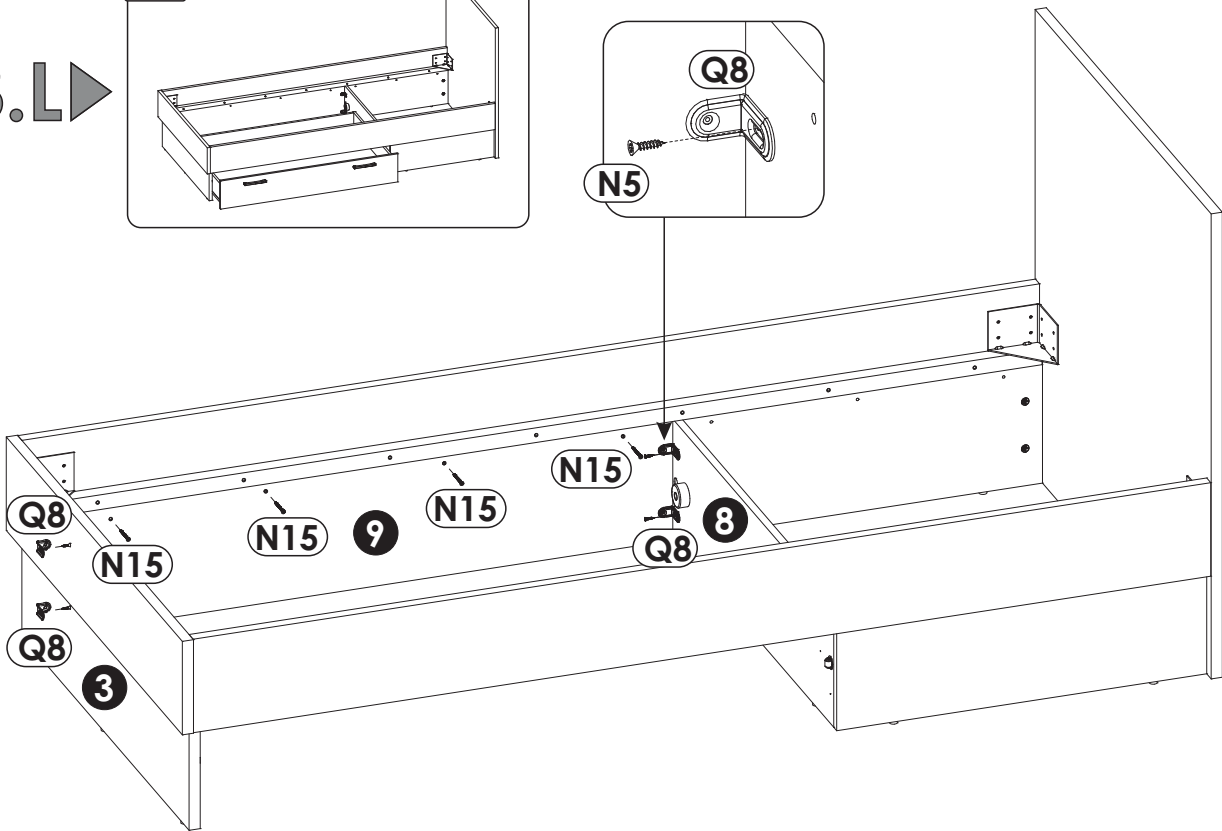
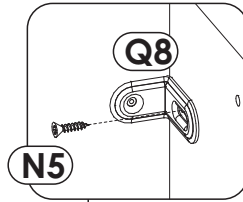
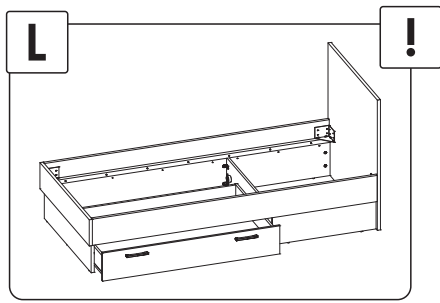
22.L ▶



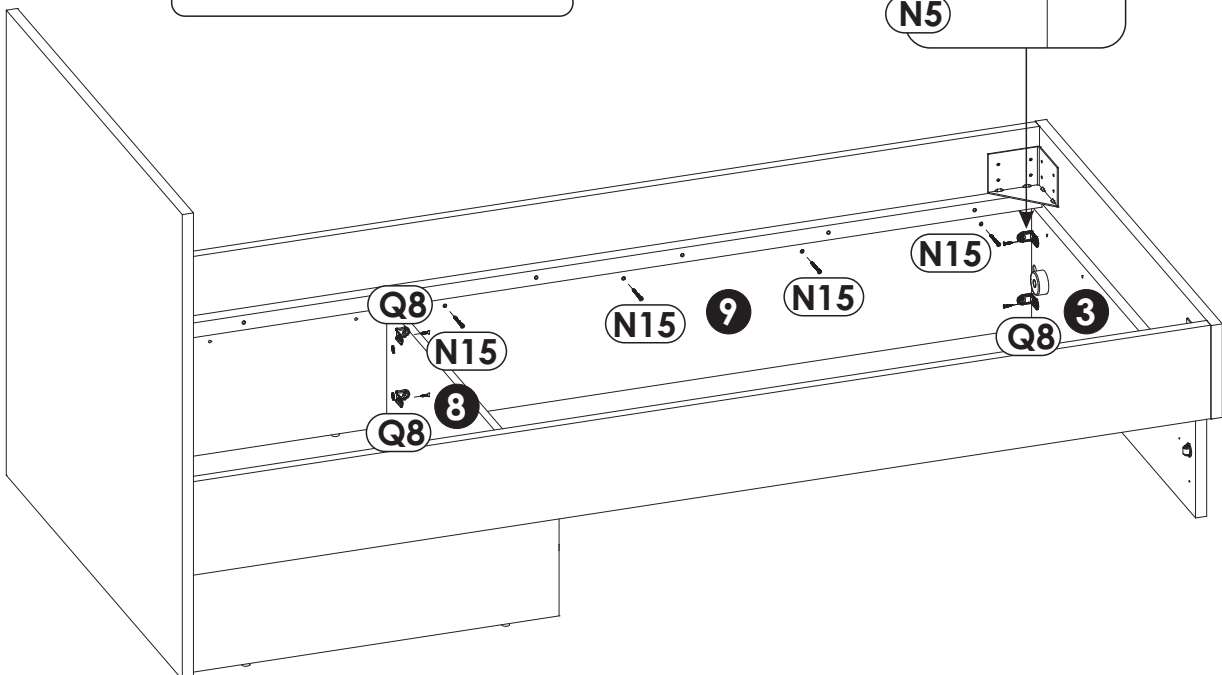
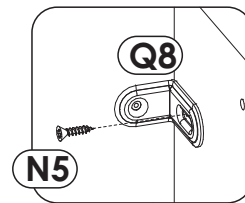
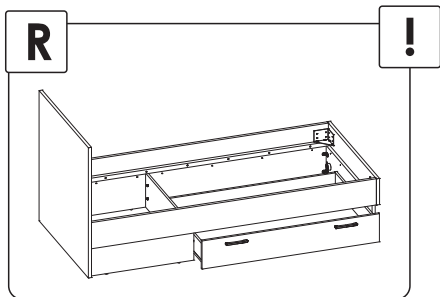
22.R ▶

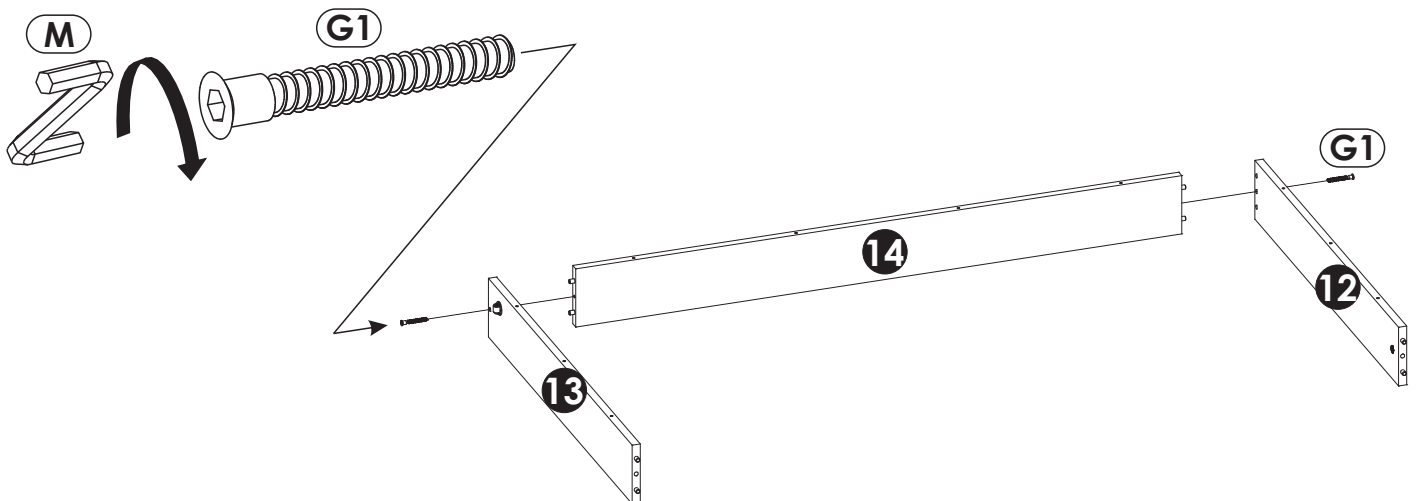
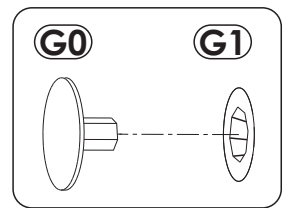
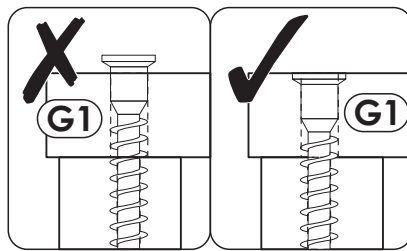
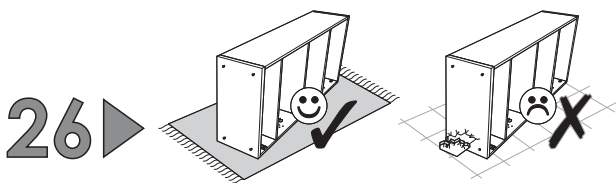
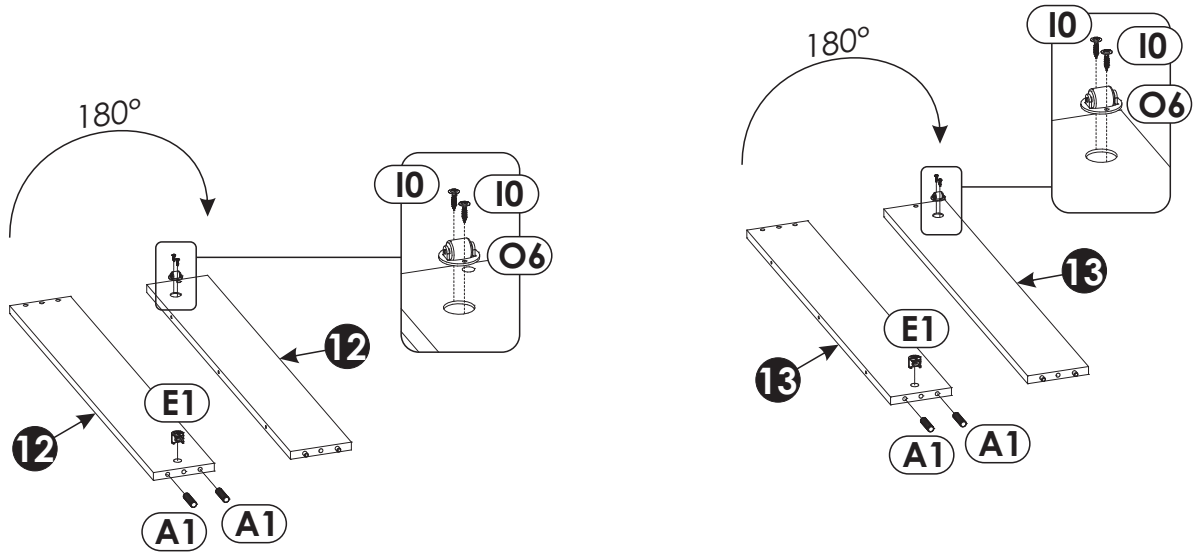
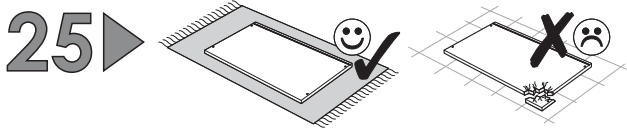
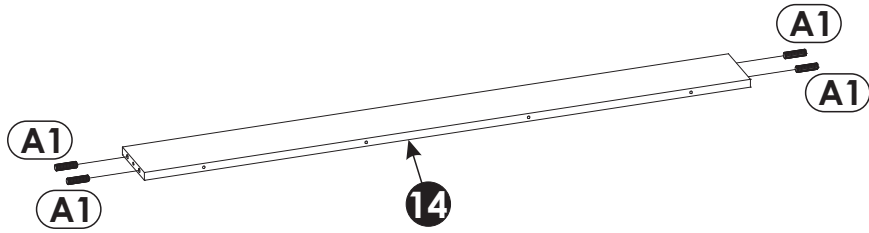
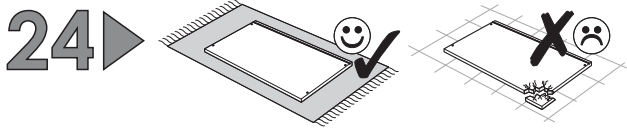


23.L ▶

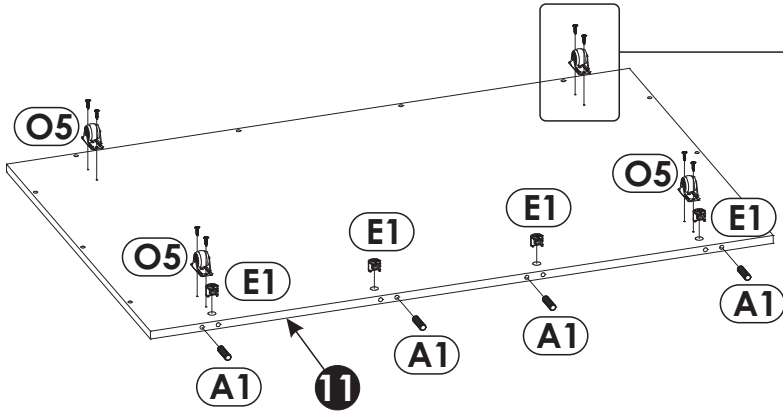
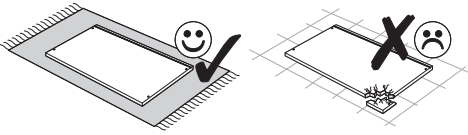


23.R ▶

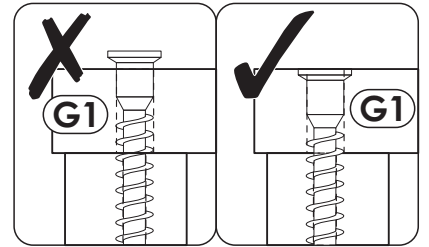
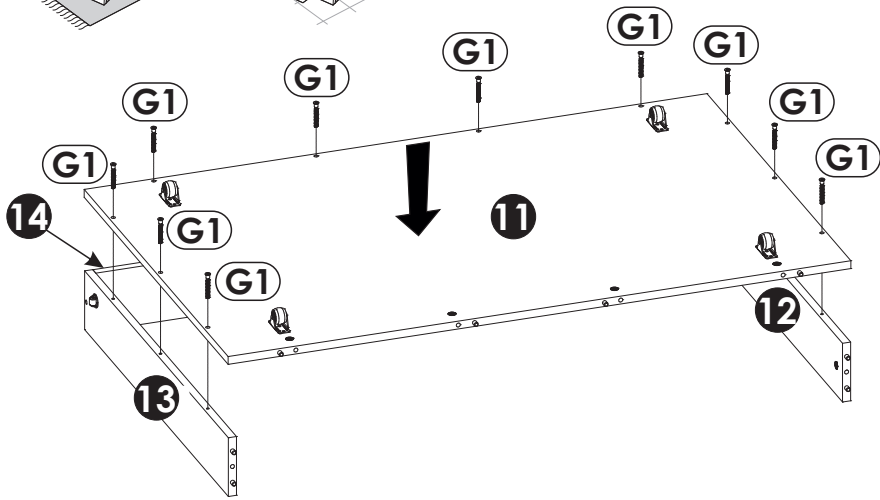
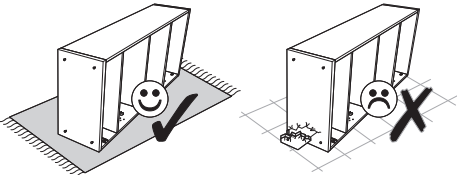




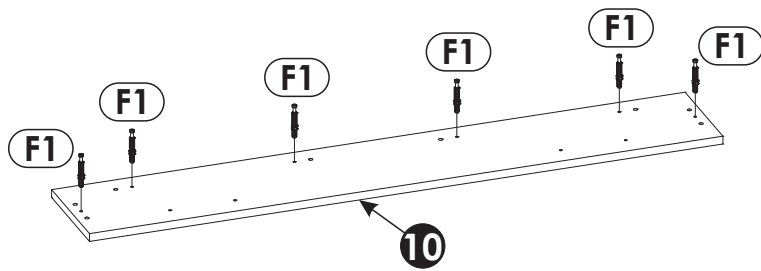
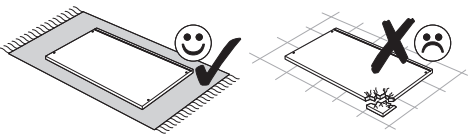
27 ▶



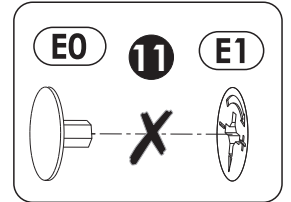
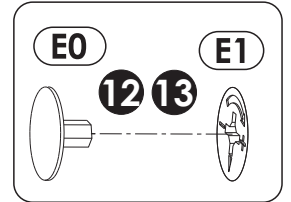
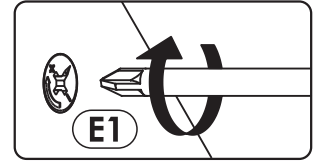
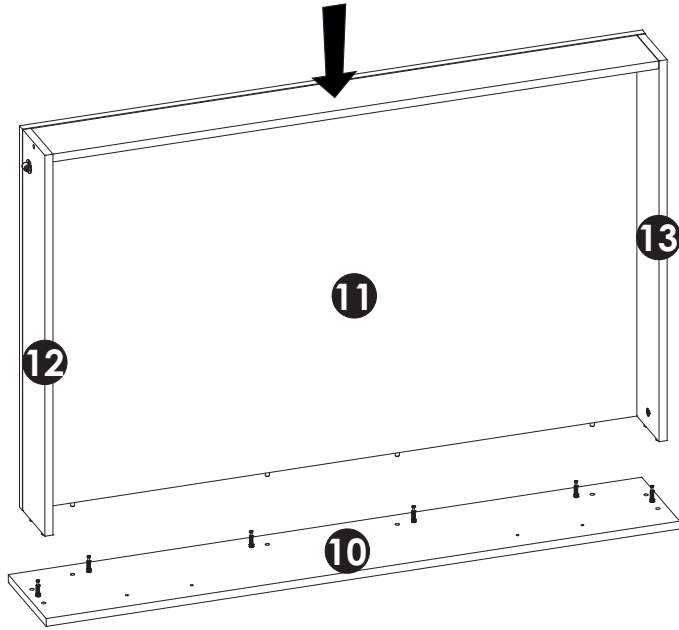
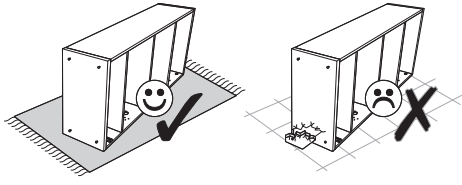
28 ▶



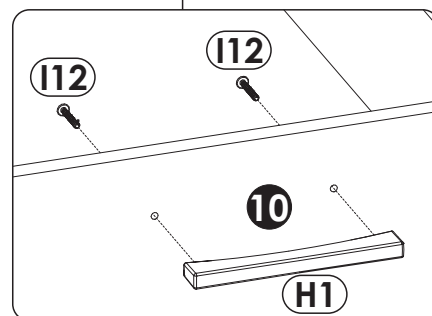
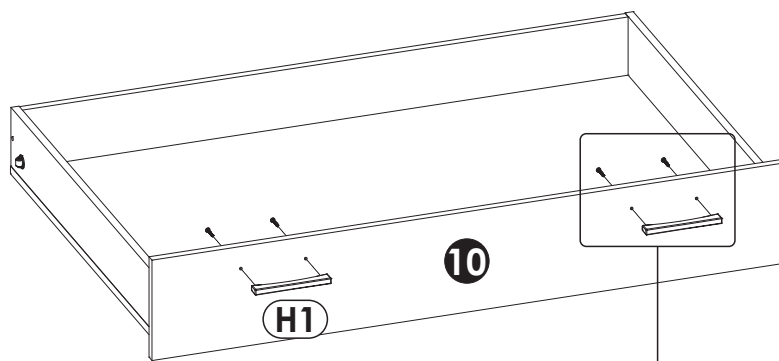
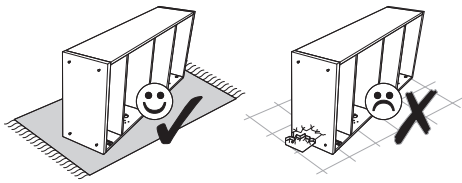
29 ▶



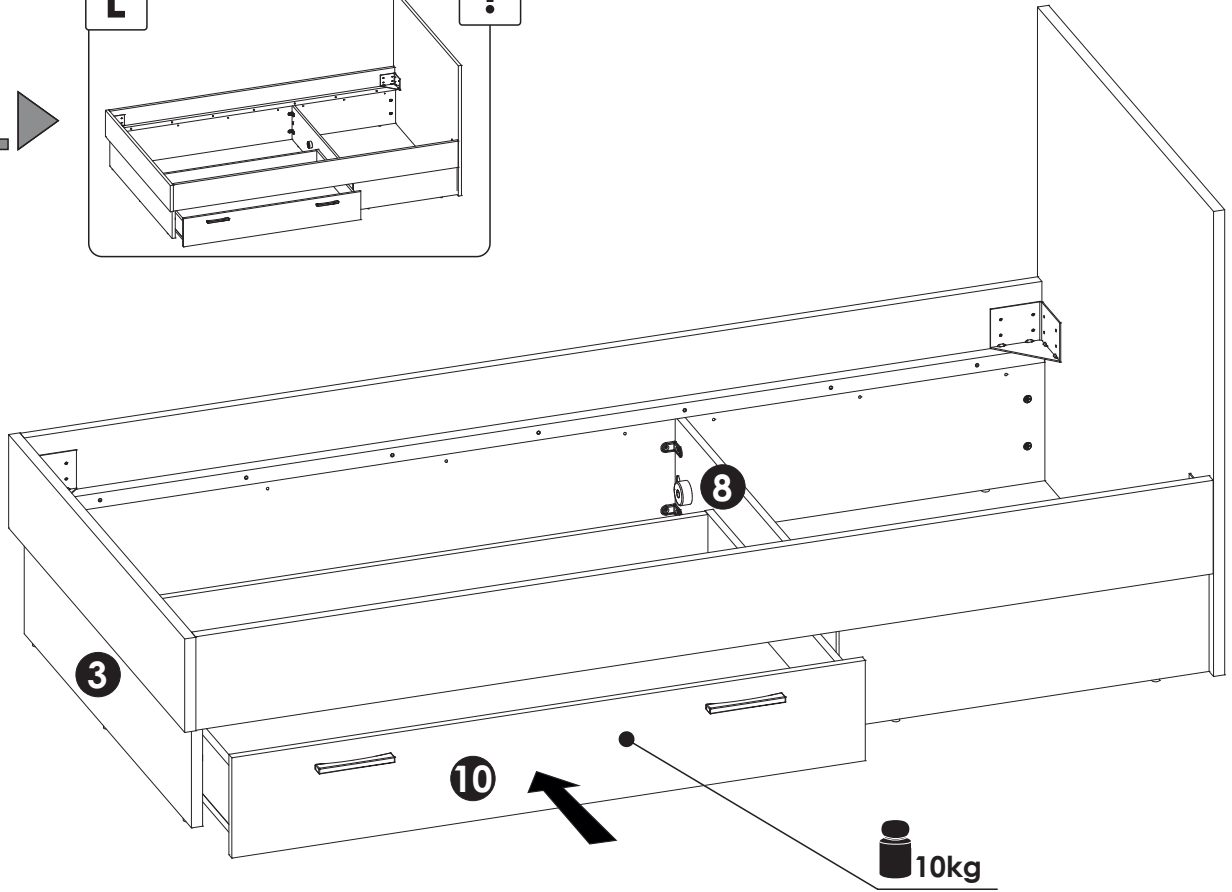
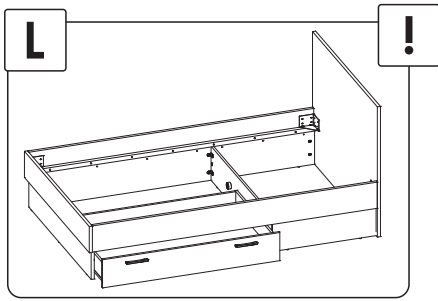
30 ▶



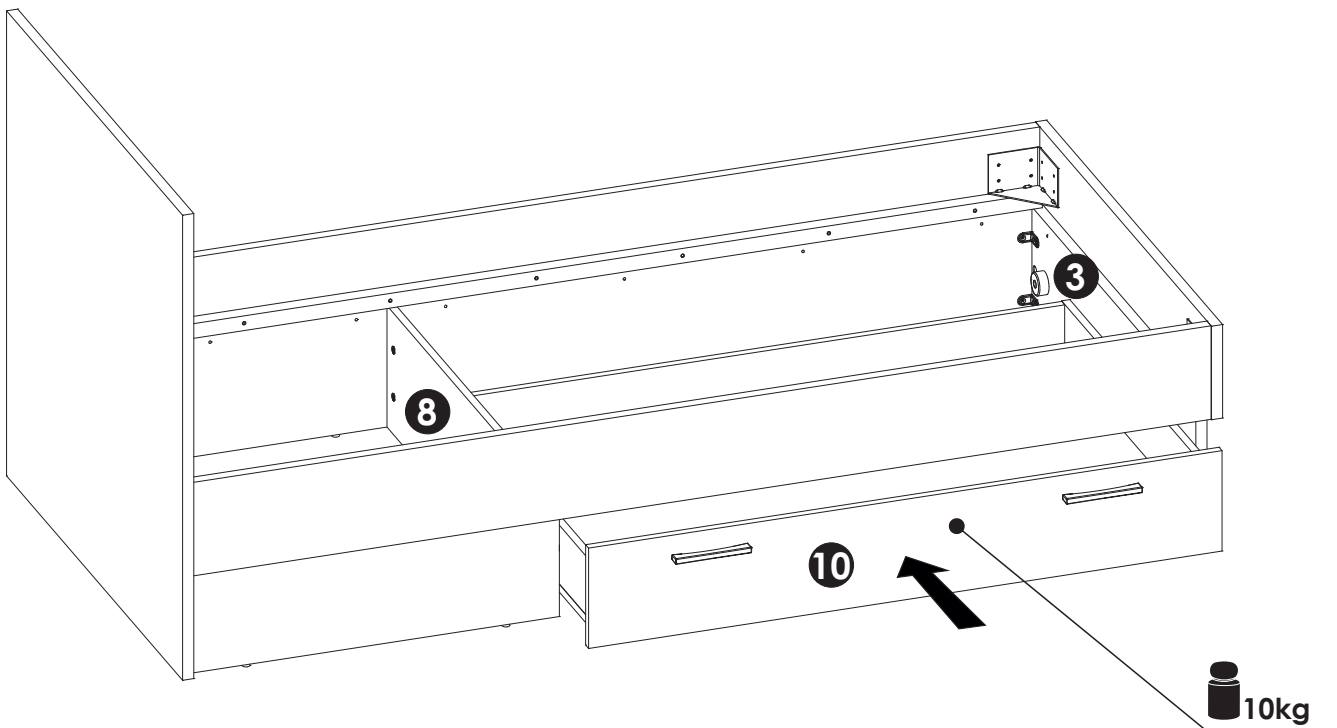
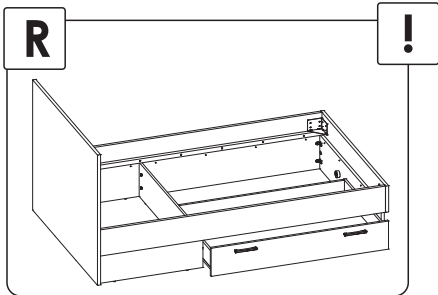
31 ▶

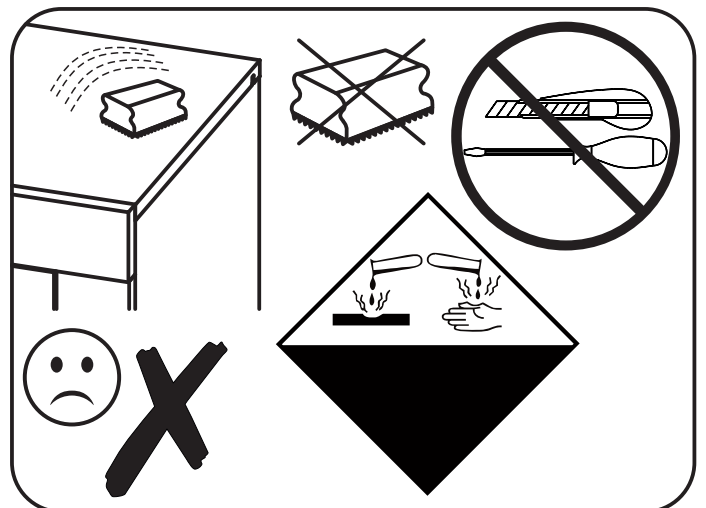
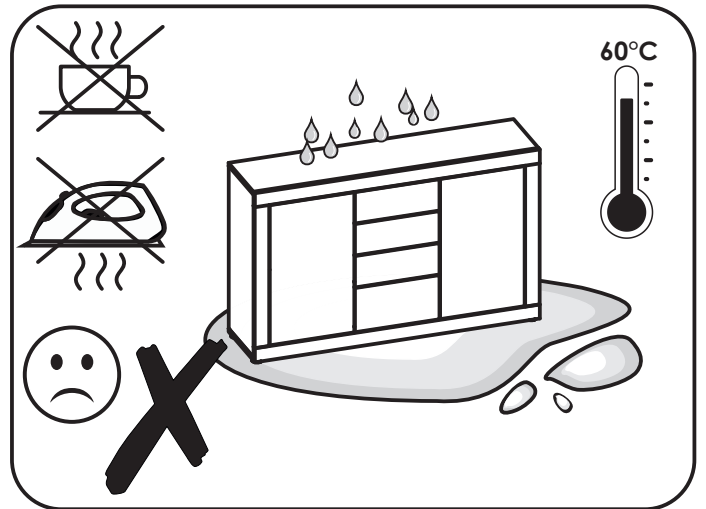
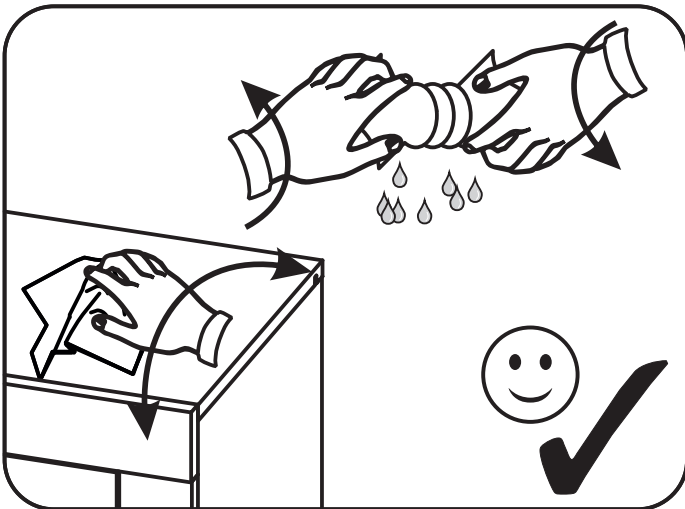
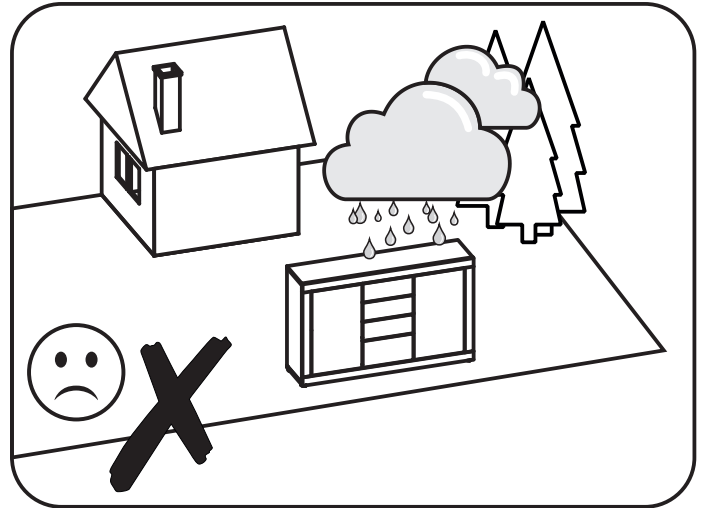
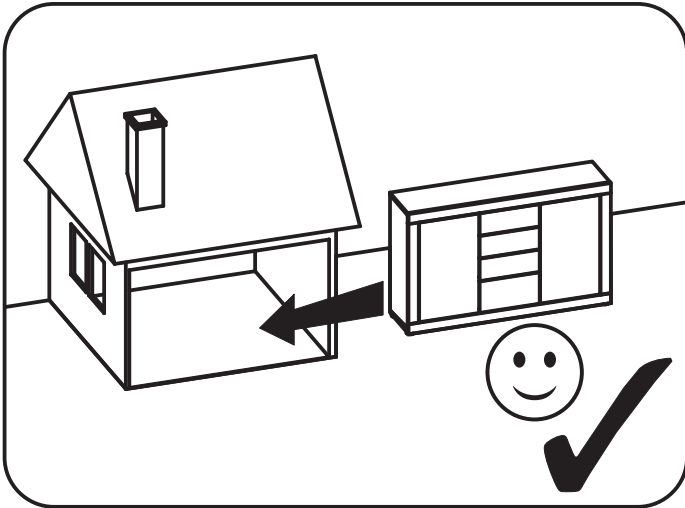
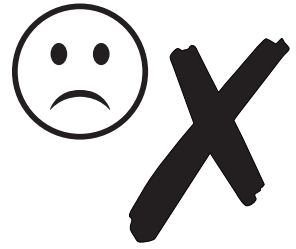


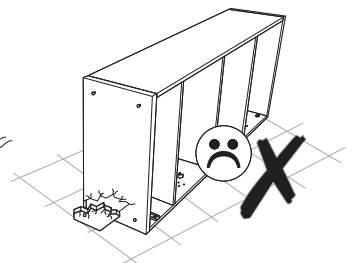
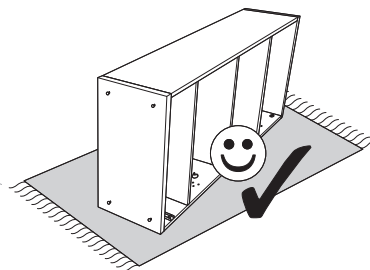
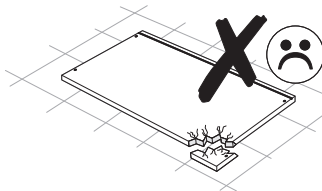
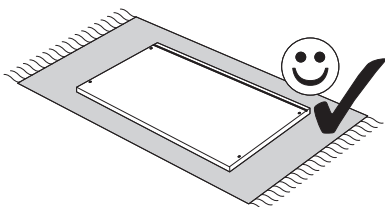
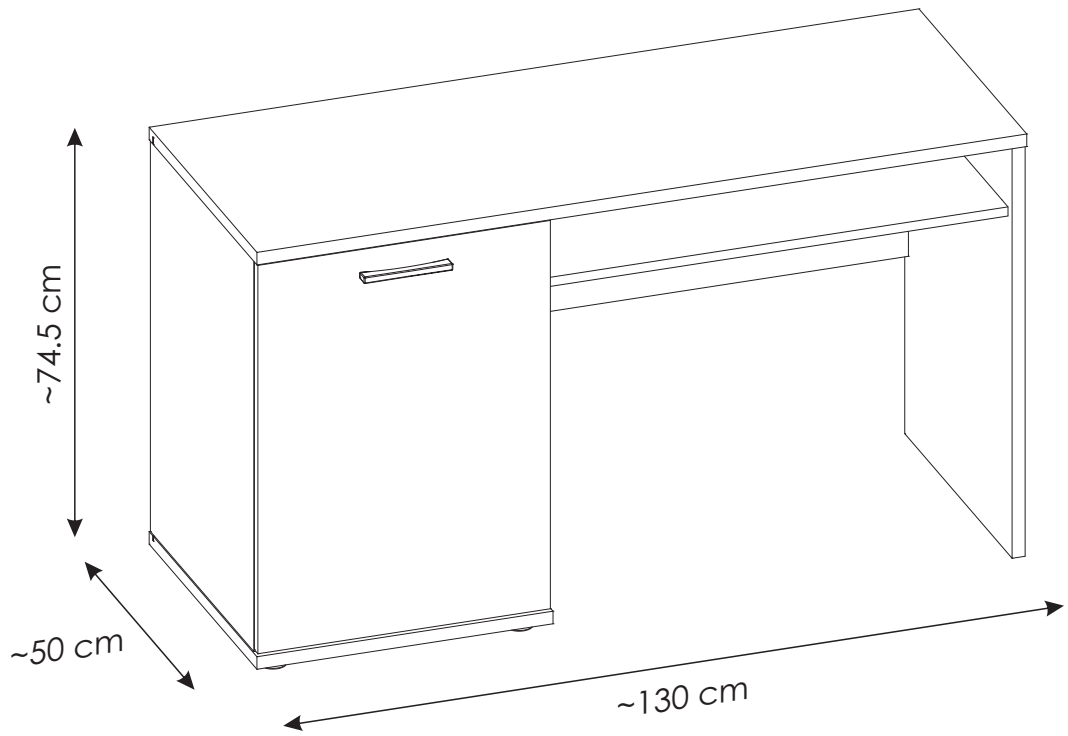
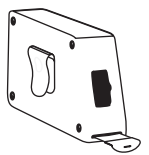
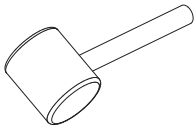
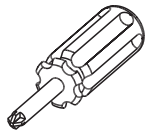
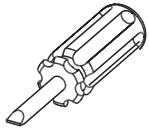
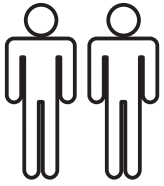
32.L ▶

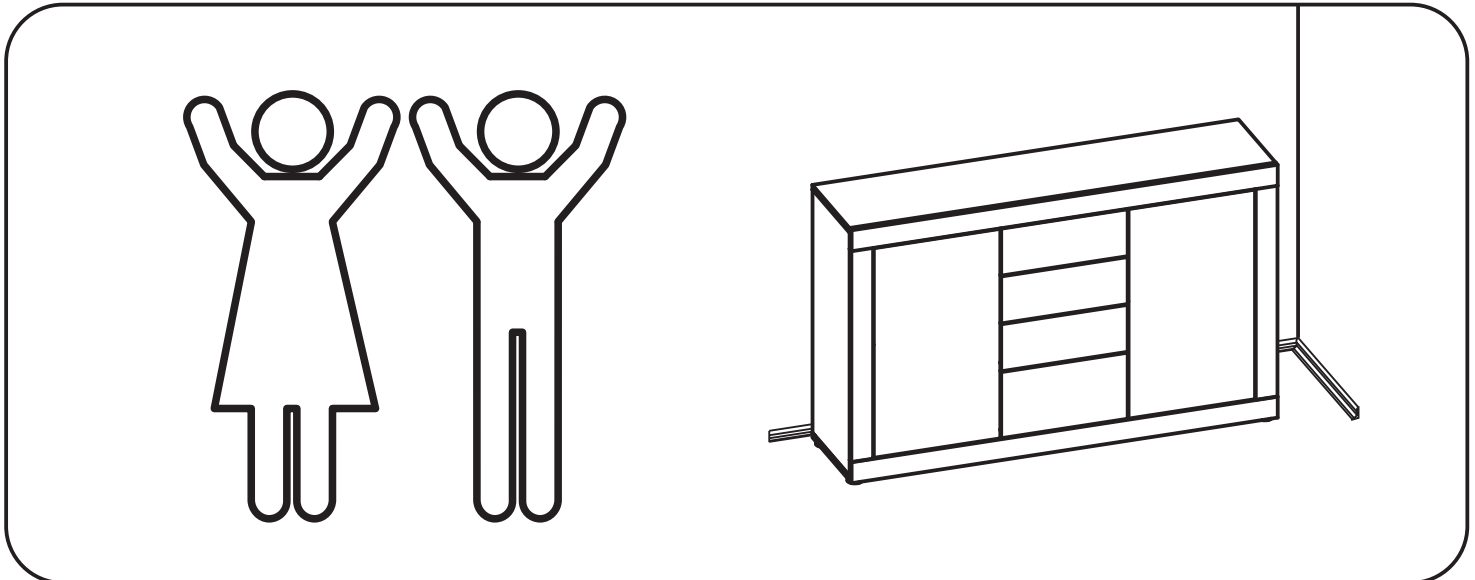
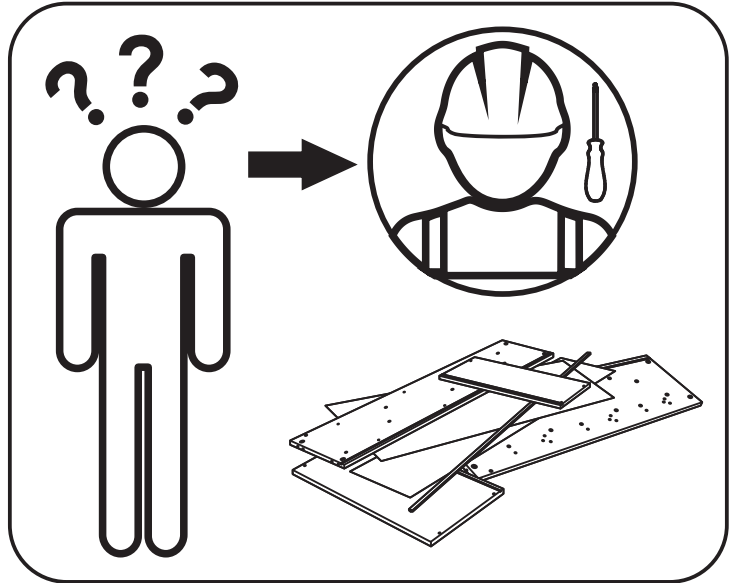
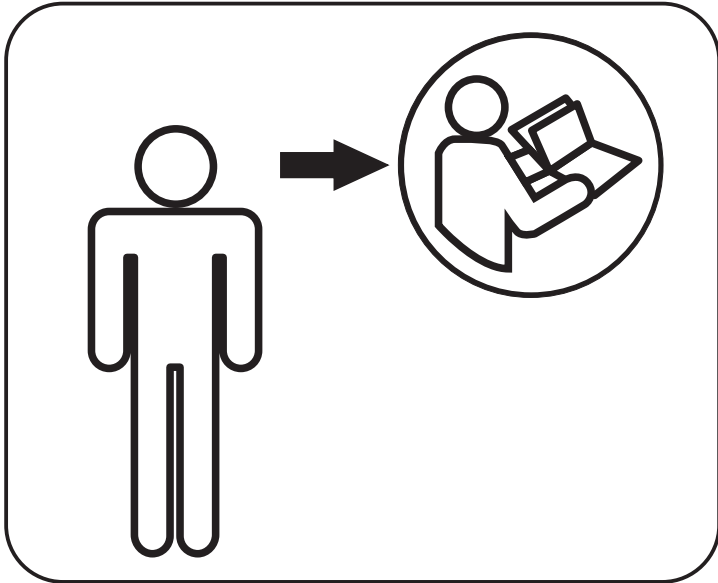
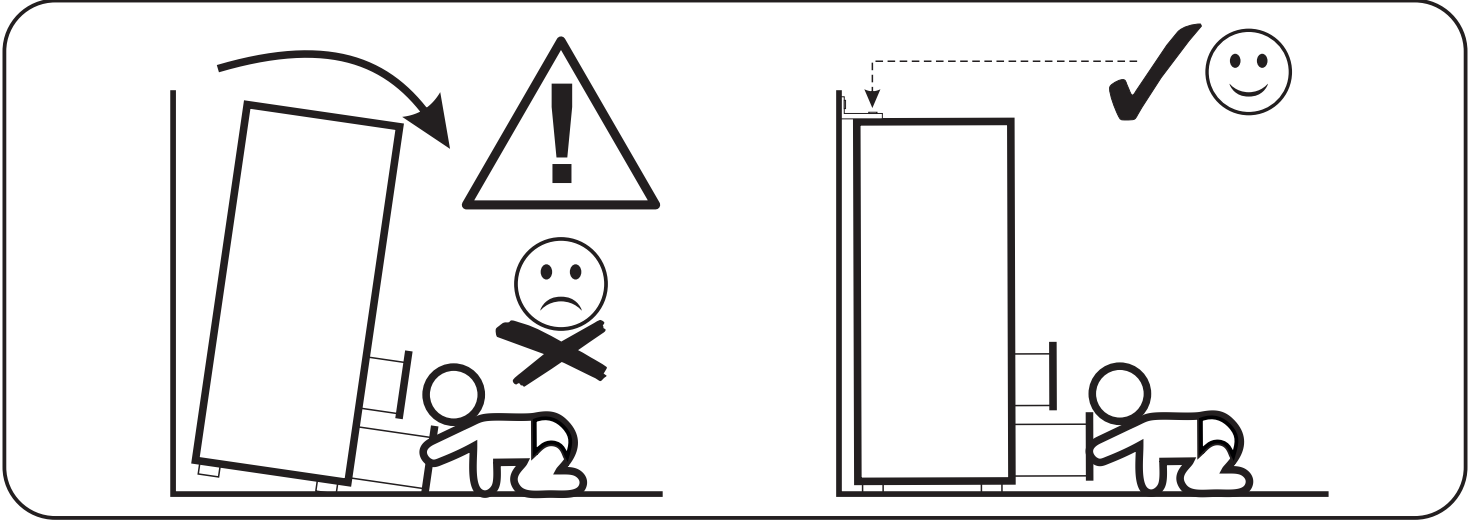
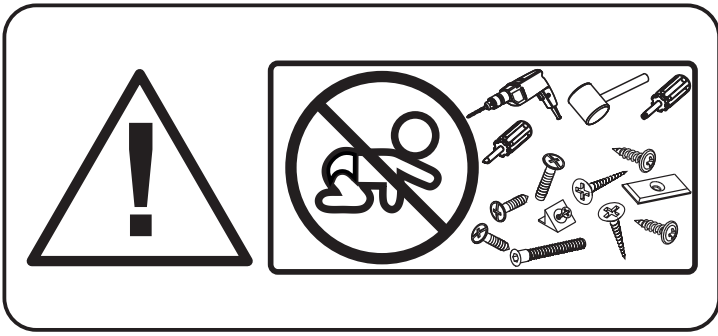


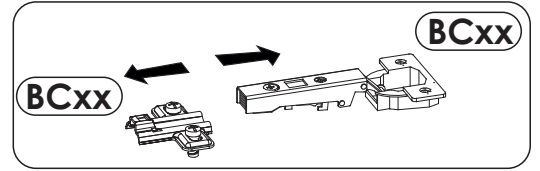
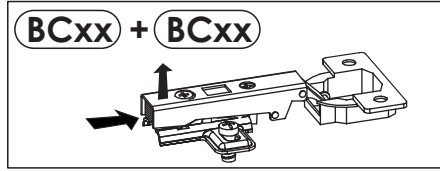
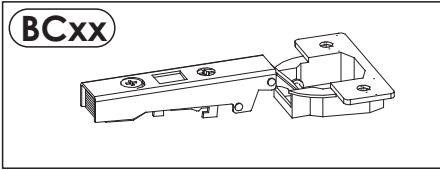
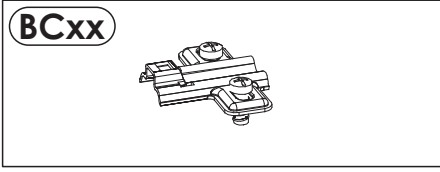
32.R ▶

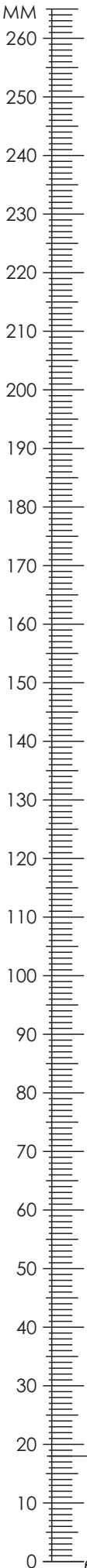


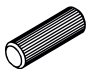
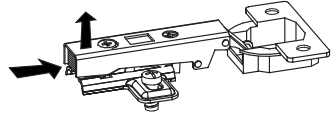

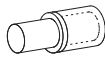


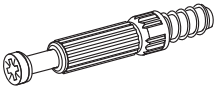

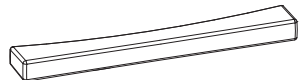


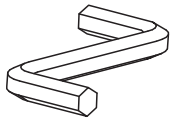

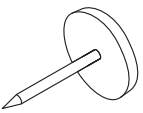
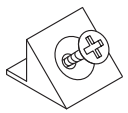
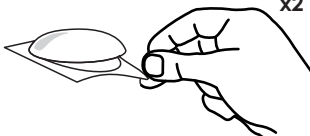
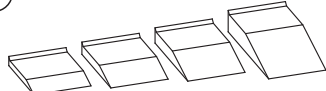


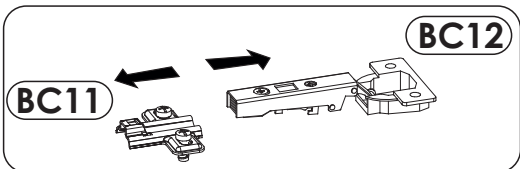


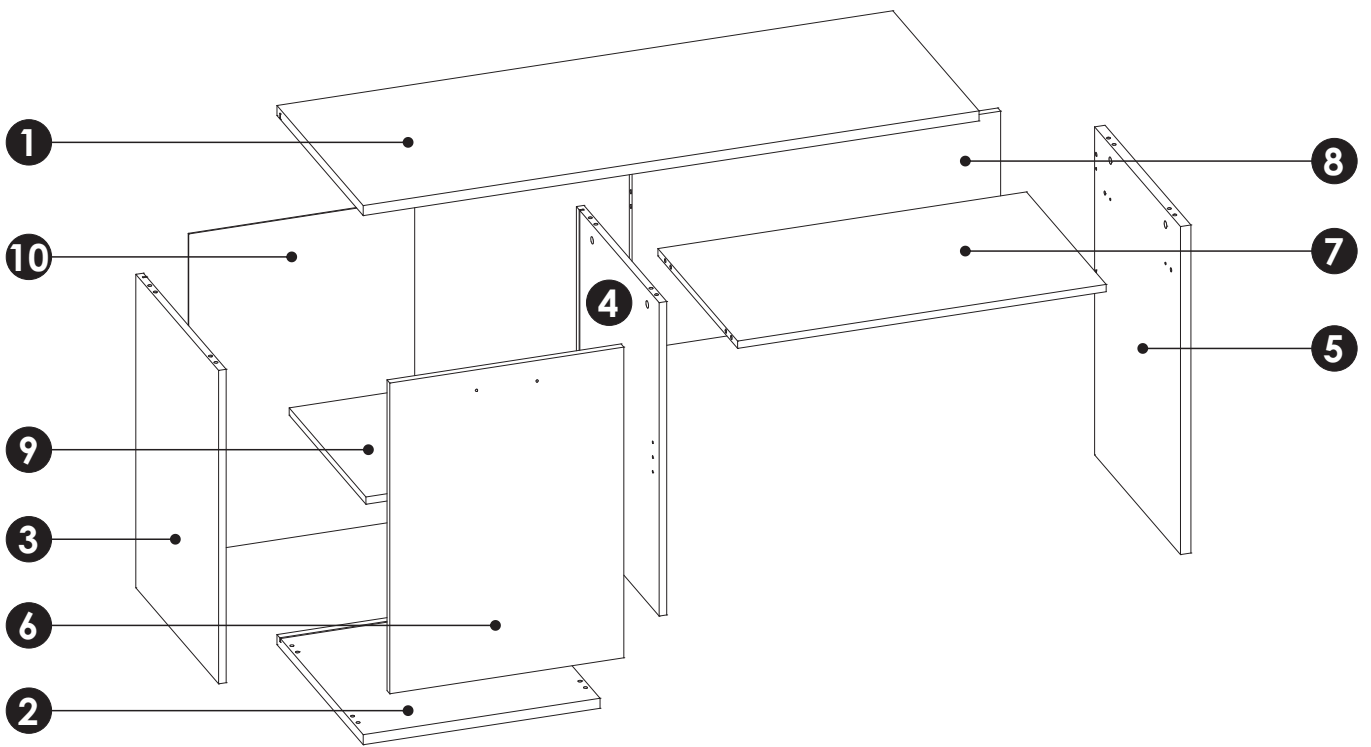
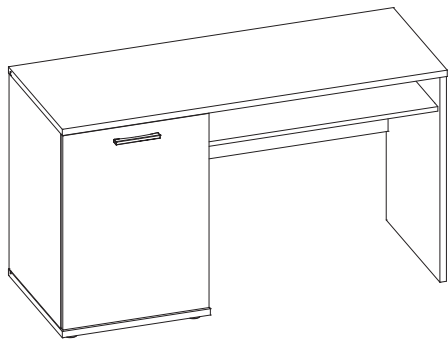






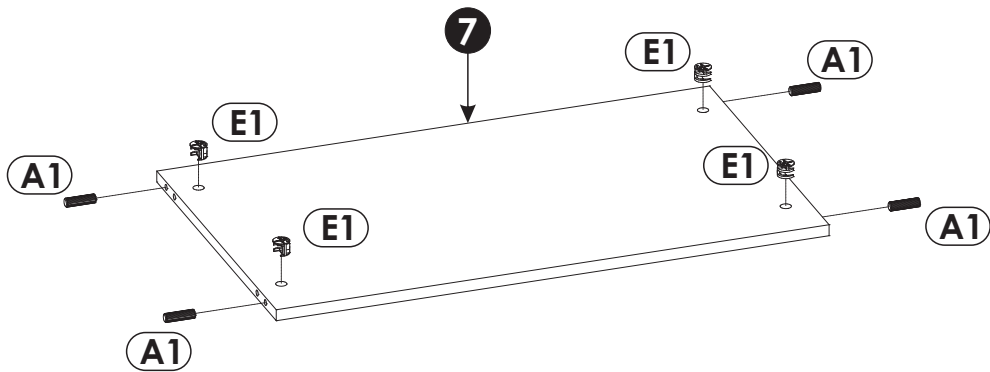
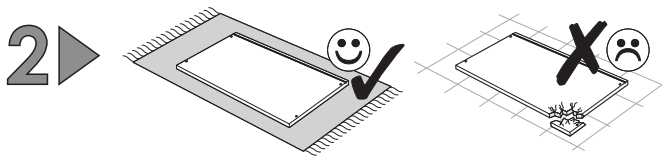
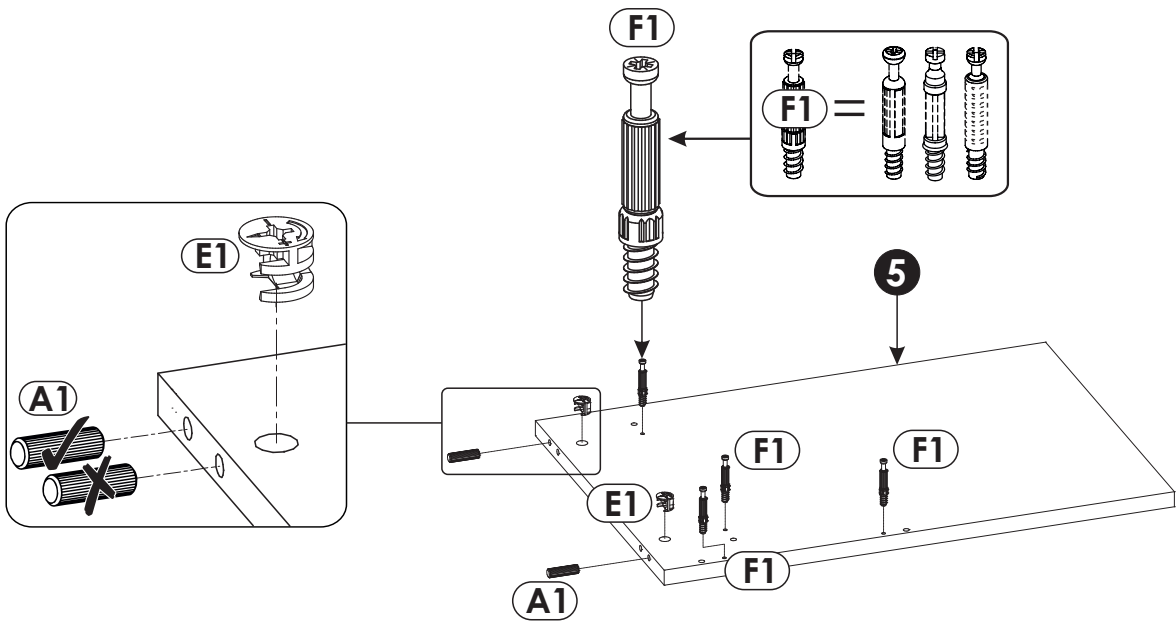
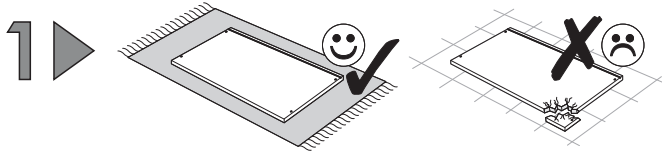
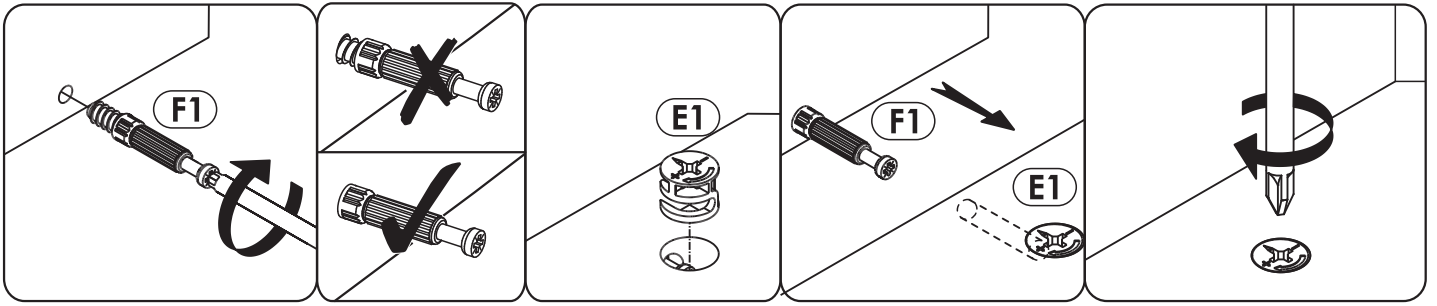
| | | |
|---|--|---|
| A1 8 x 35 mm x18  | BC11 + BC12 x2  | C2 5 x 13 mm x4  |
| D2 x4  | E0 Ø16 x10  | E1 15 x 12 mm x14  |
| F1 6 x 34 mm x14  | G2 7 x 60 mm x4  | H1 L-150 mm x1  |
| I3 3,5 x 22 mm x4  | I12 4 x 27 mm x2  | M x1  |
| O1 x4  | O2 x2  | R4 x6  |
| R8 x2  | Z x1  | |



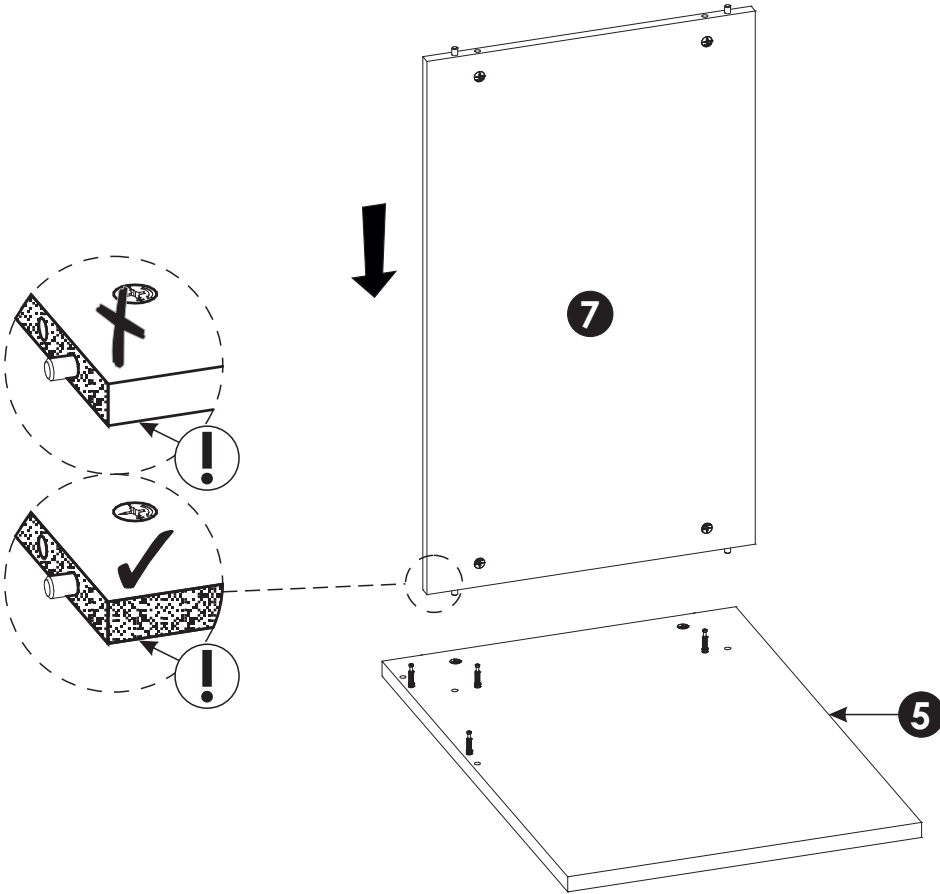
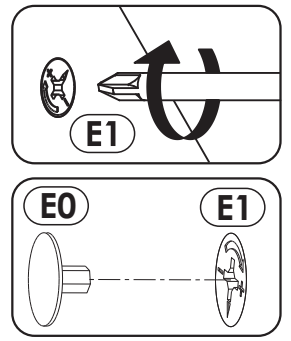
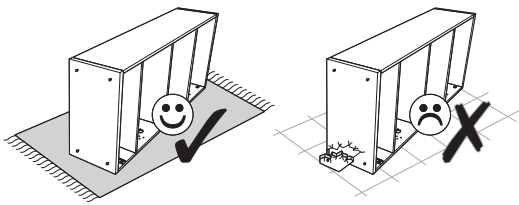


| | | | | | |
|----------|------|-----|----|----|-----|
| 1 | 1300 | 500 | 22 | x1 | 2/2 |
| 2 | 500 | 500 | 22 | x1 | 2/2 |
| 3 | 686 | 480 | 16 | x1 | 1/2 |
| 4 | 686 | 480 | 16 | x1 | 1/2 |
| 5 | 718 | 498 | 22 | x1 | 2/2 |

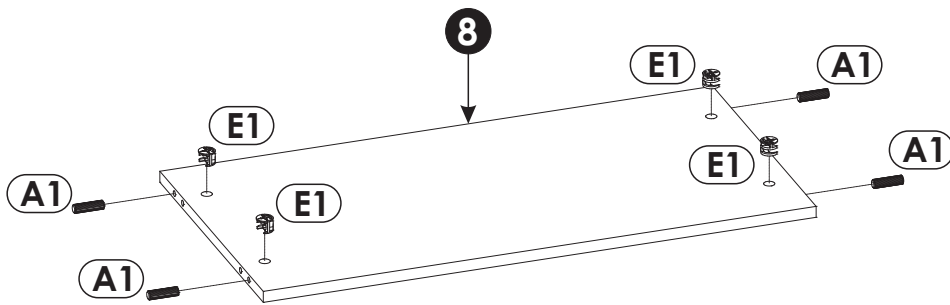
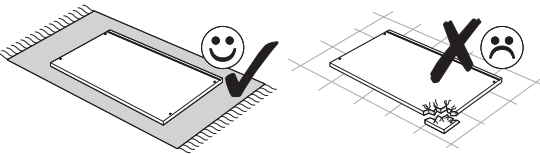
| | | | | | |
|-----------|-----|-----|----|----|-----|
| 6 | 680 | 494 | 16 | x1 | 1/2 |
| 7 | 778 | 462 | 16 | x1 | 1/2 |
| 8 | 778 | 400 | 16 | x1 | 1/2 |
| 9 | 463 | 445 | 16 | x1 | 1/2 |
| 10 | 699 | 477 | 3 | x1 | 1/2 |



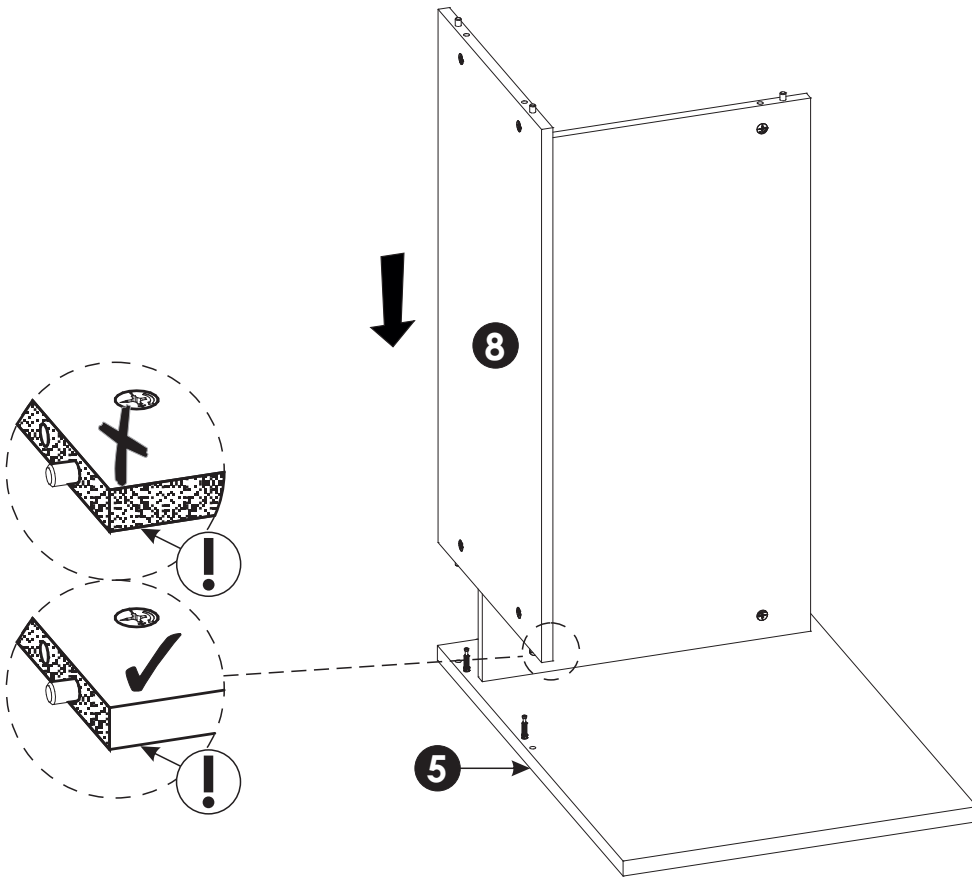
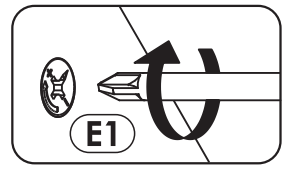
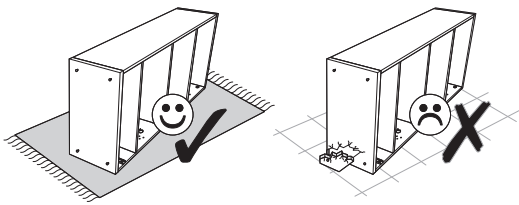
3 ▶



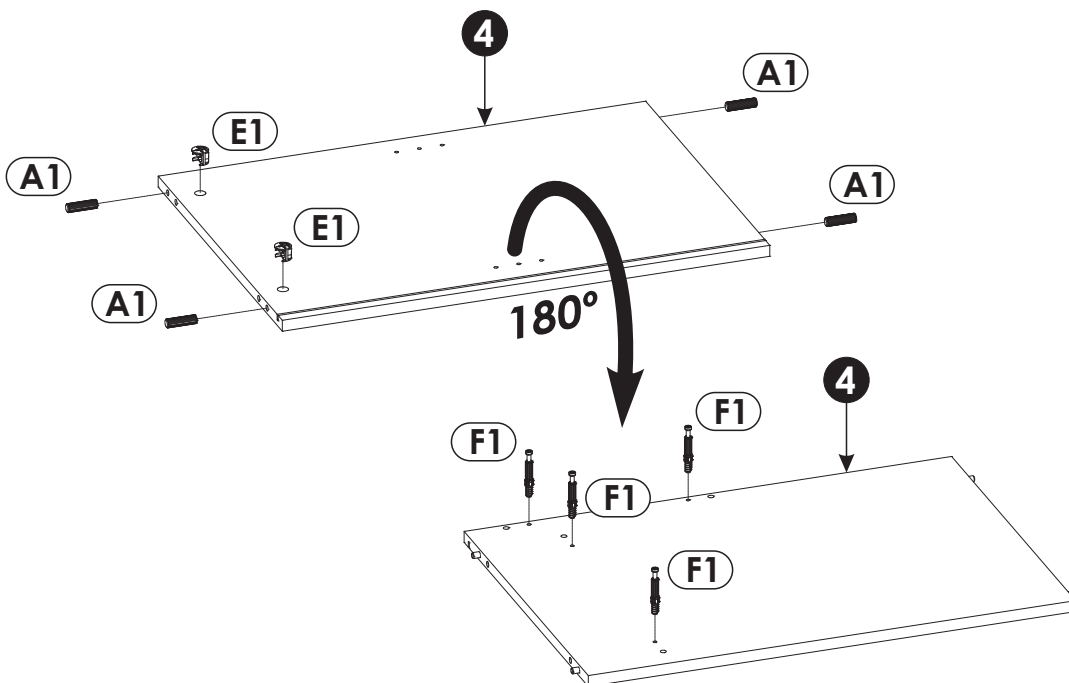
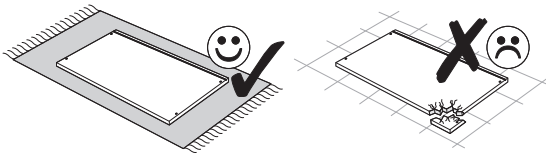
4 ▶

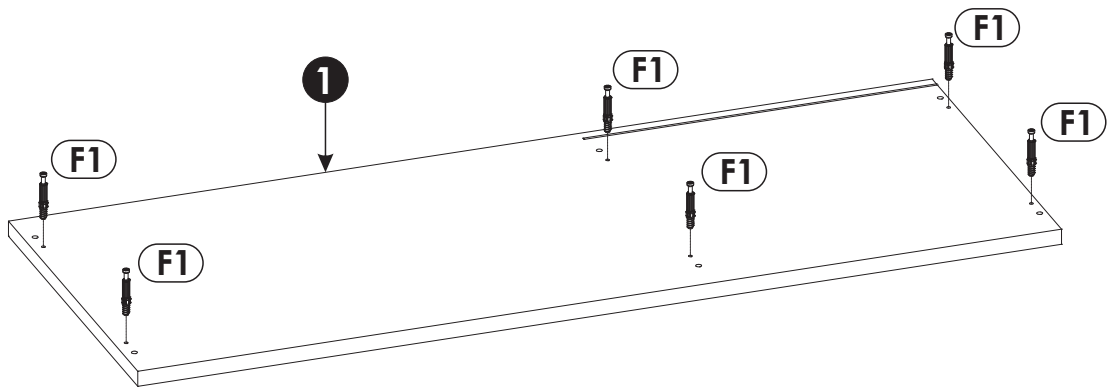
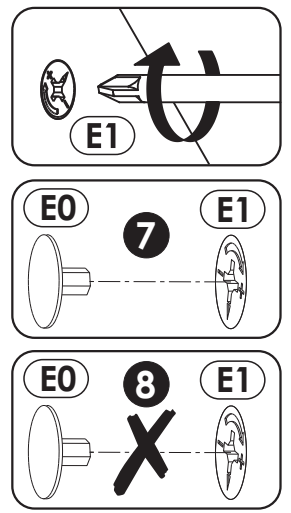
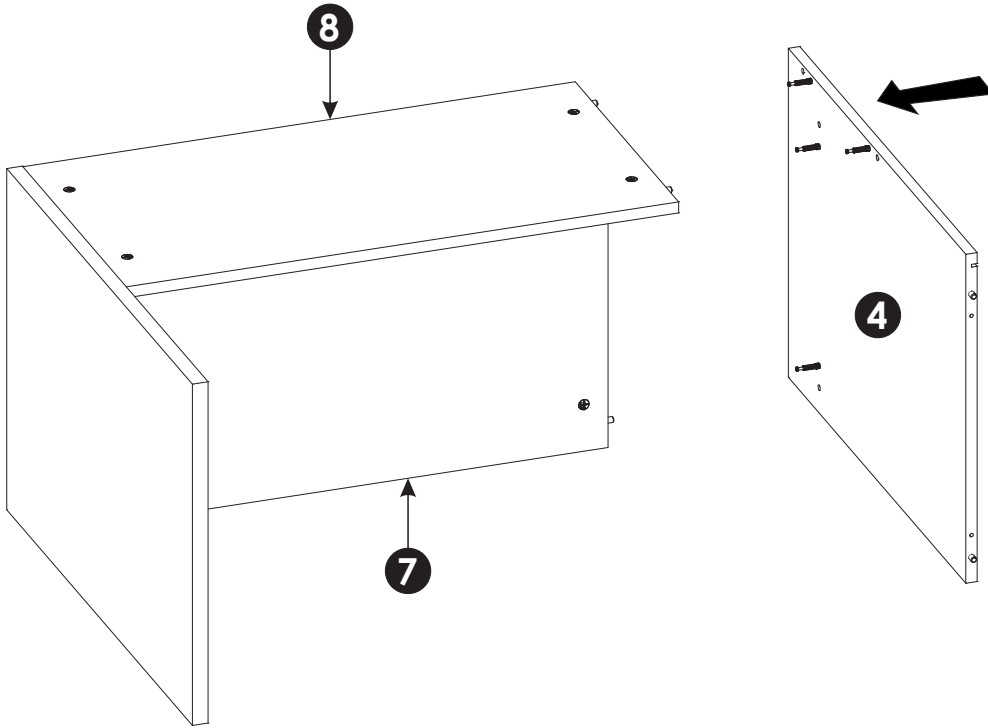
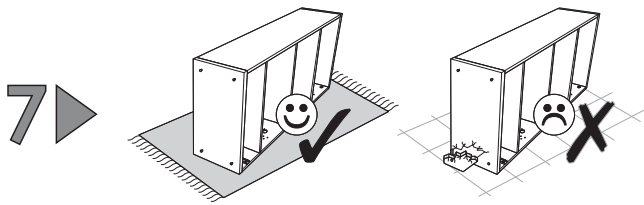


5 ▶

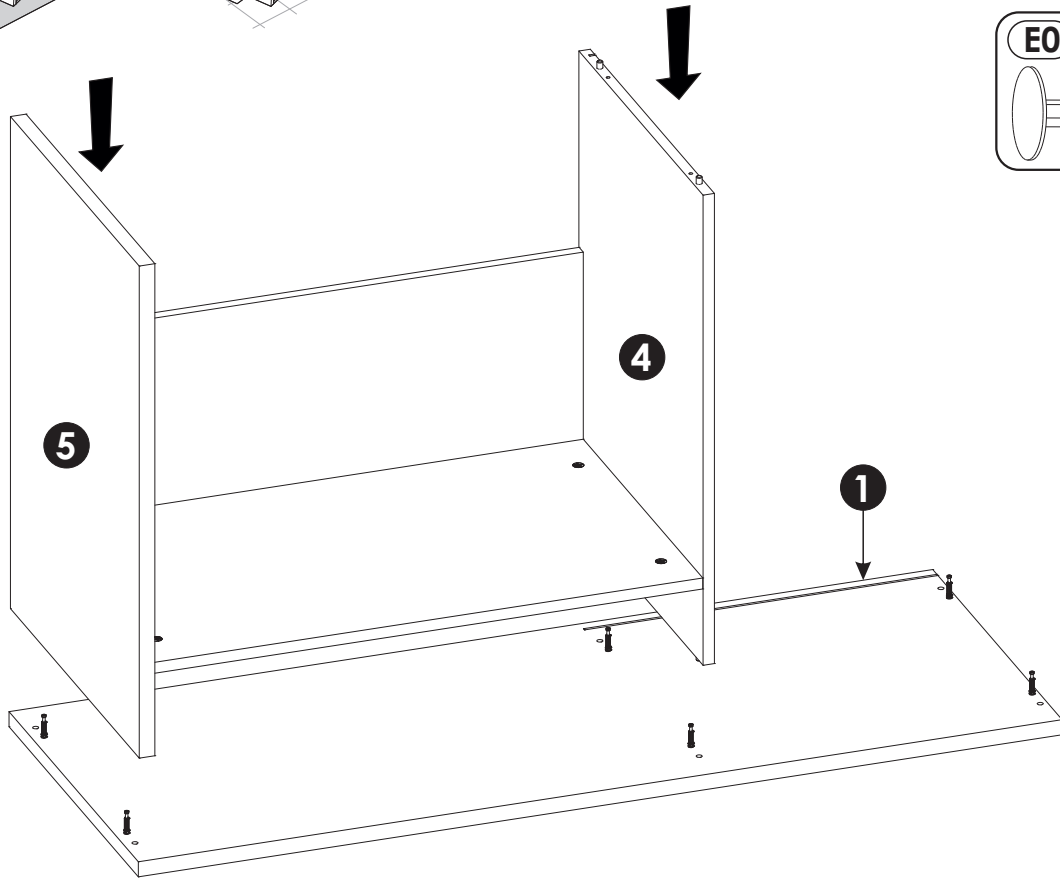
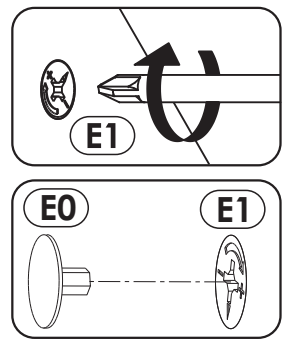
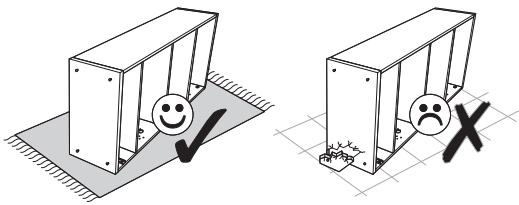


6 ▶

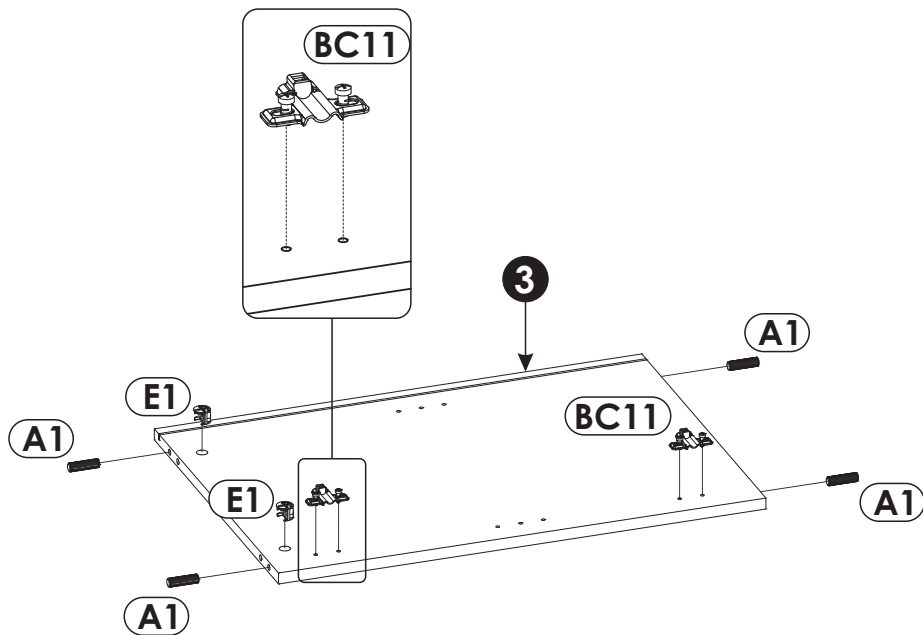
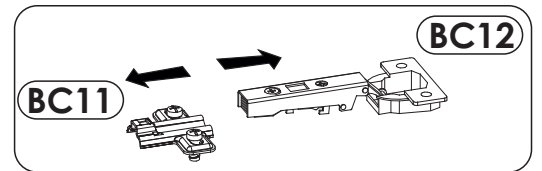
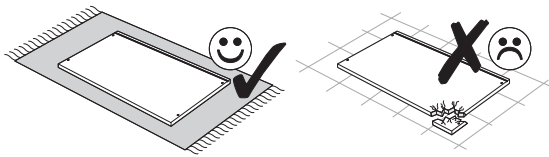




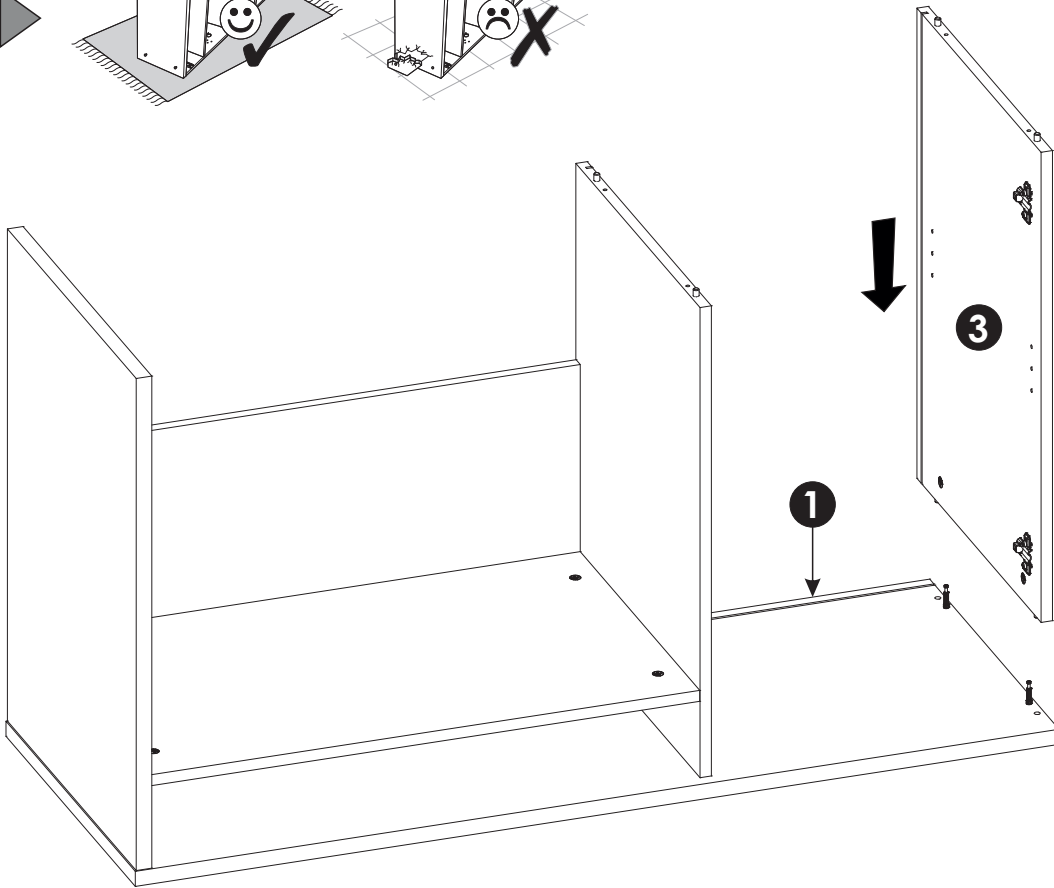
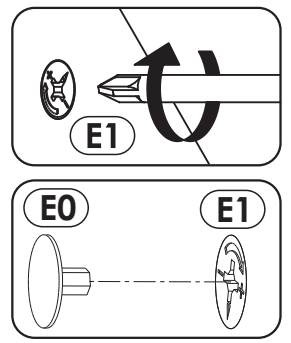
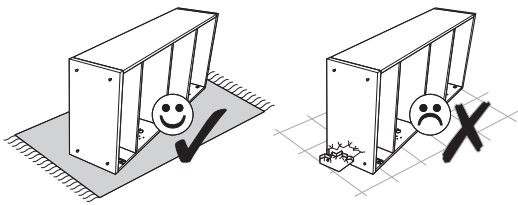
9 ▶



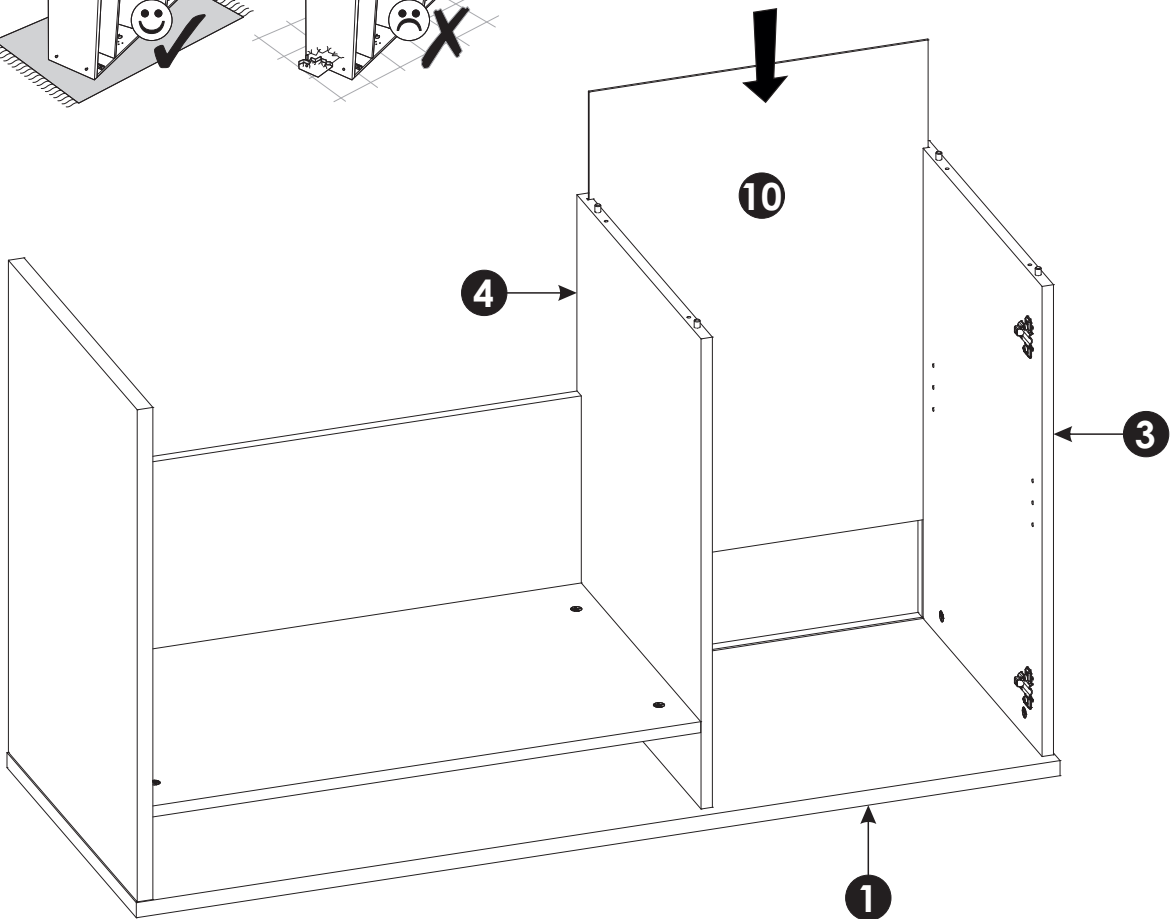
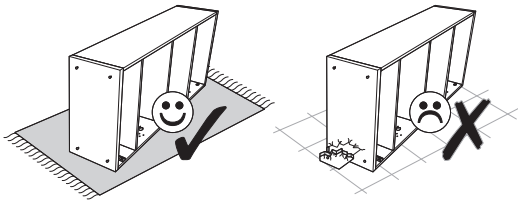
10 ▶



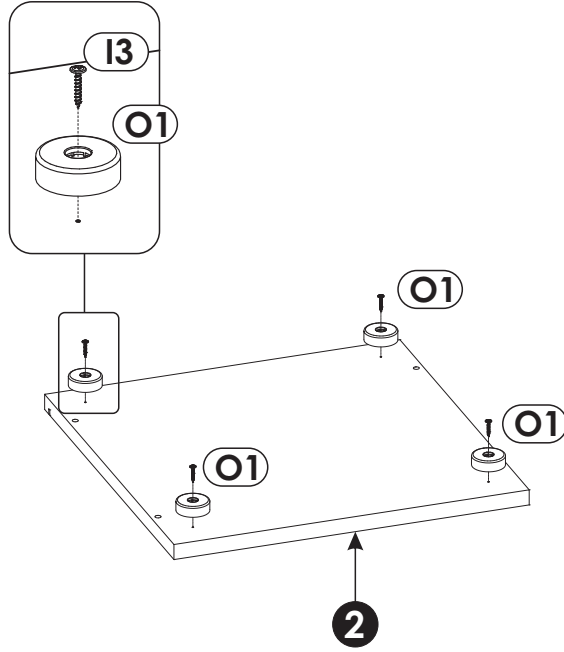
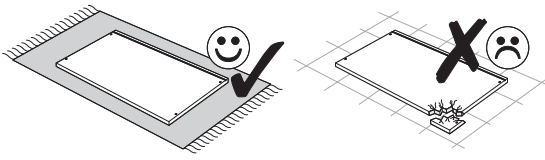
11 ▶



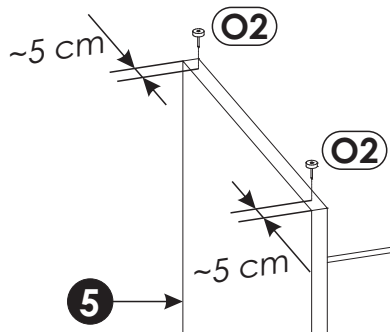
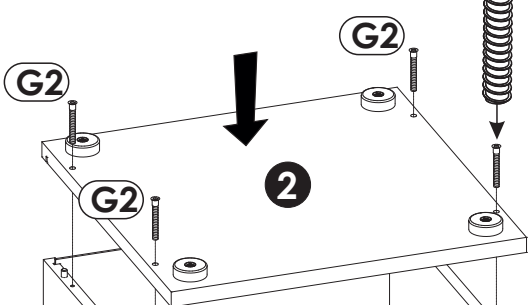
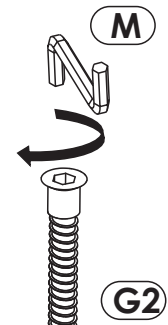
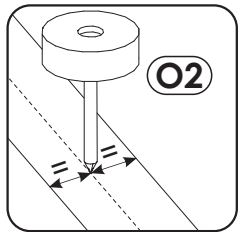
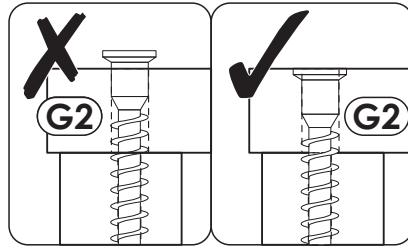
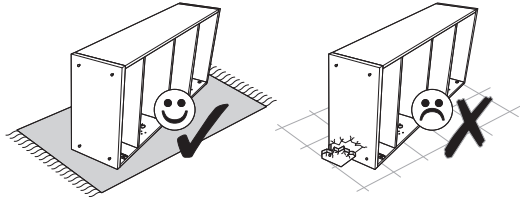
12 ▶



13 ▶



14 ▶

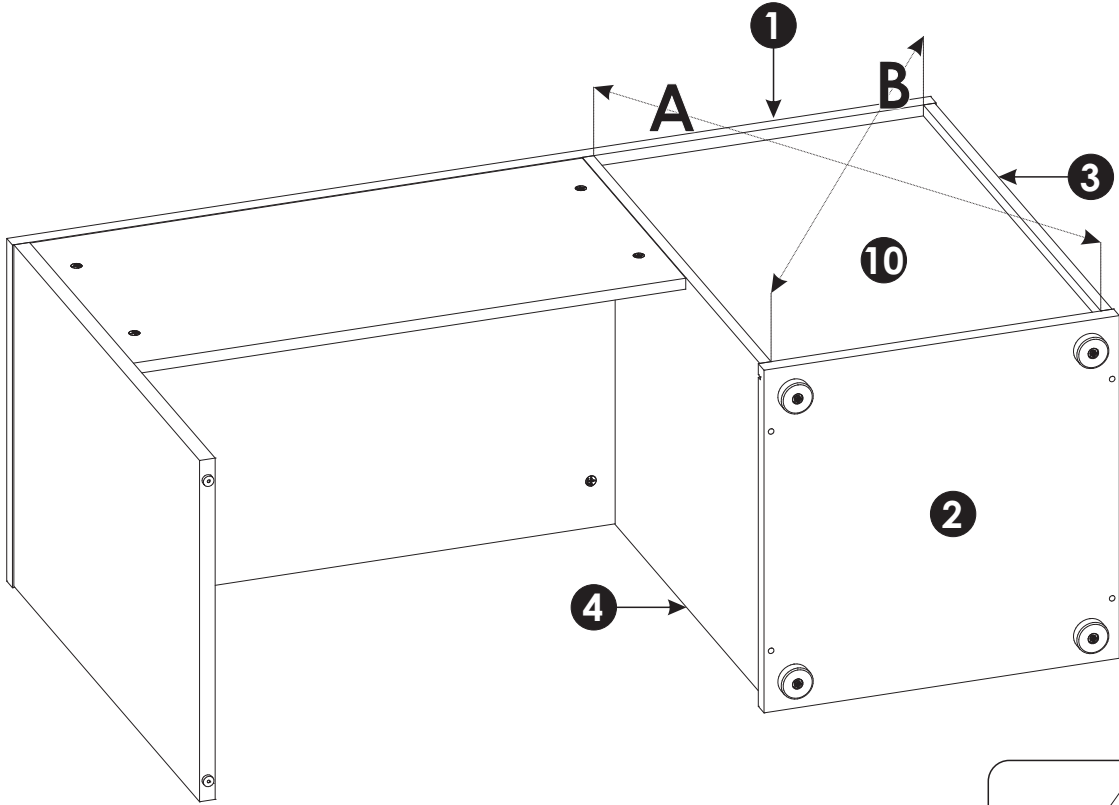
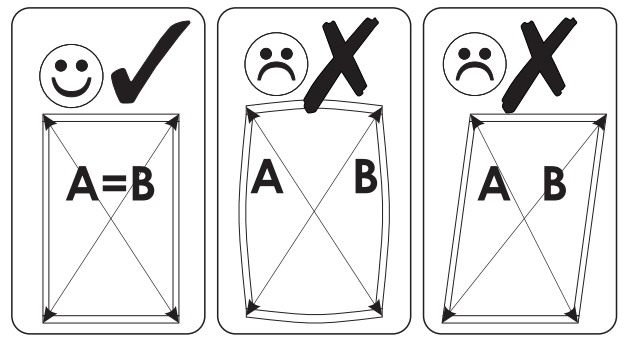
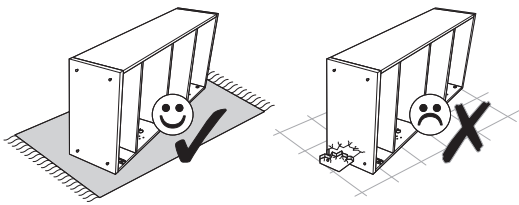


4

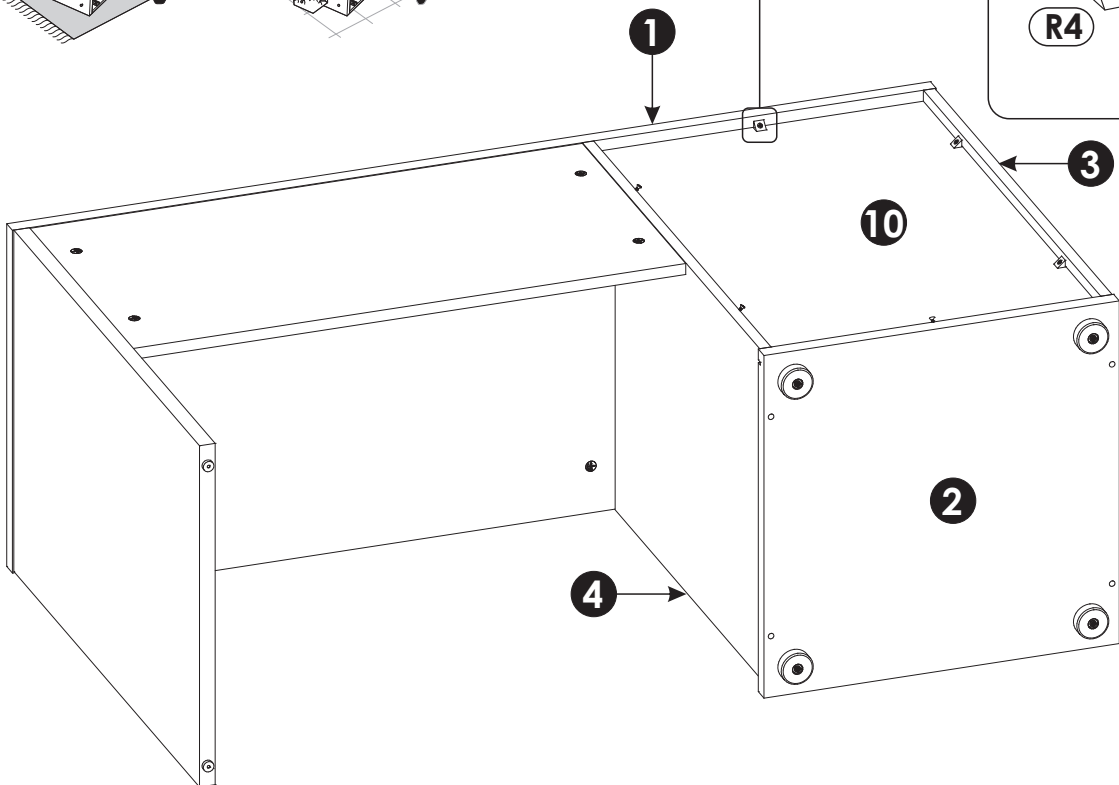
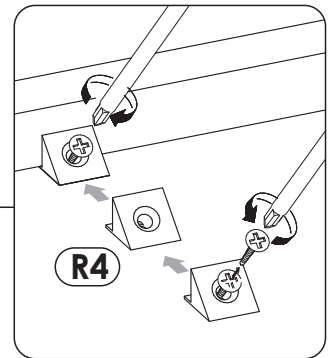
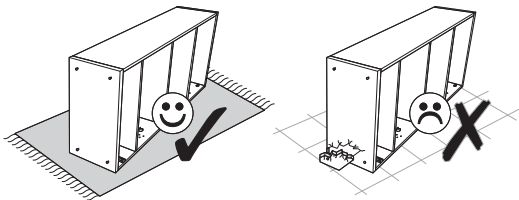
10

3

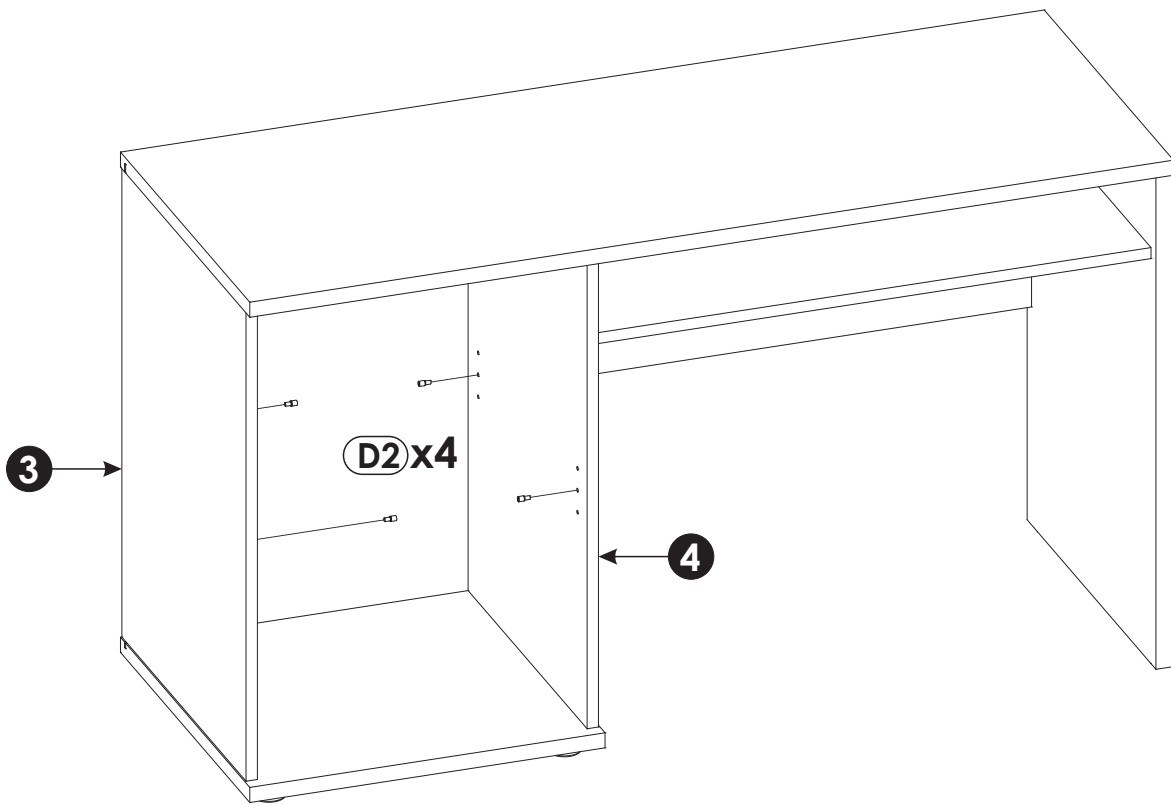
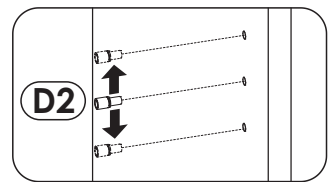
15 ▶



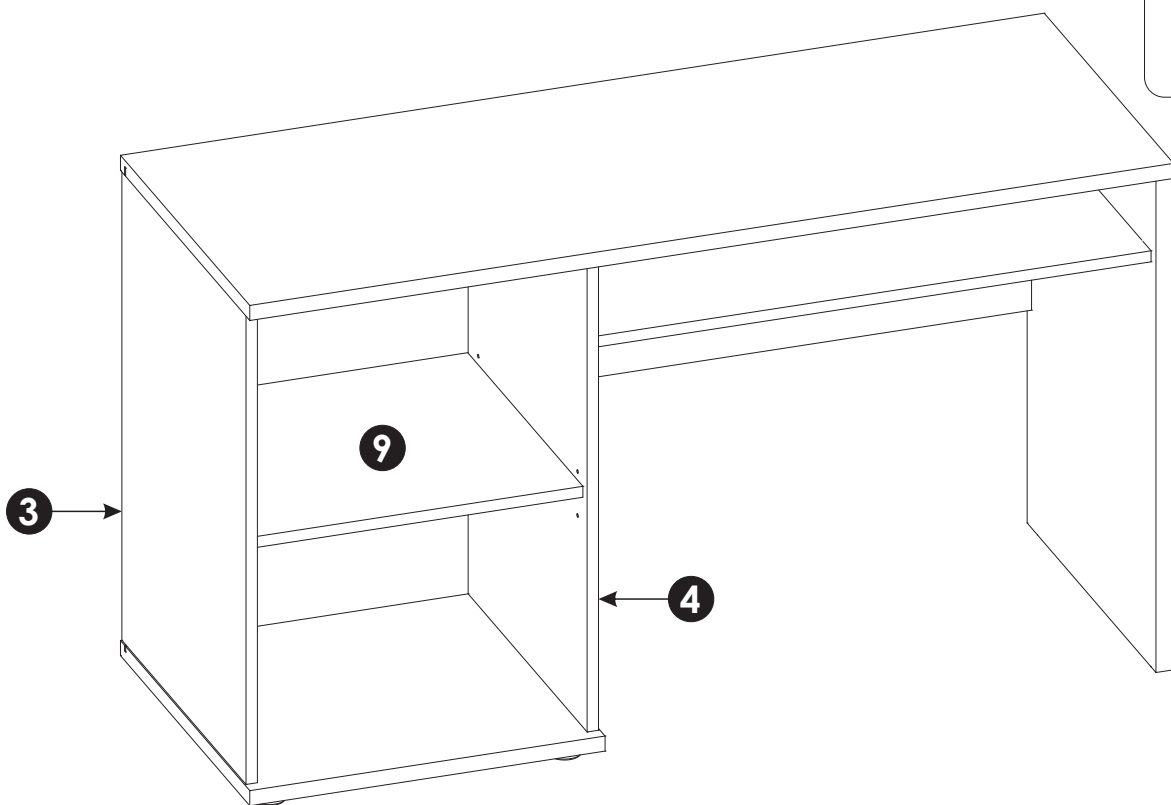
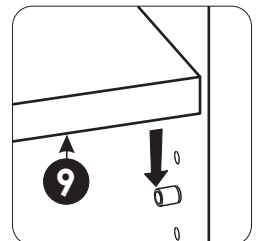
16 ▶



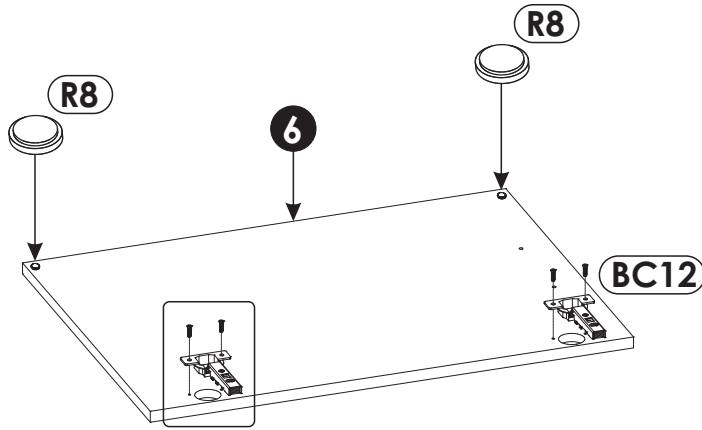
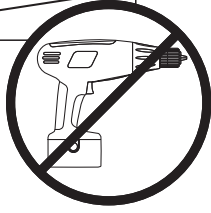
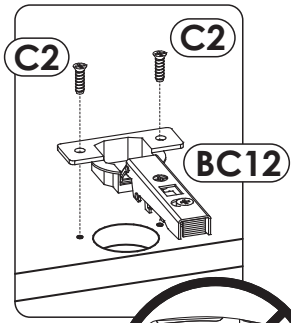
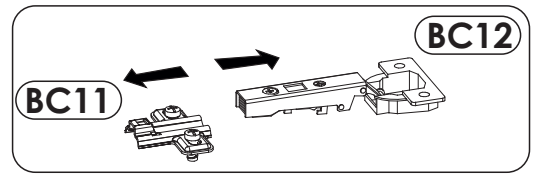
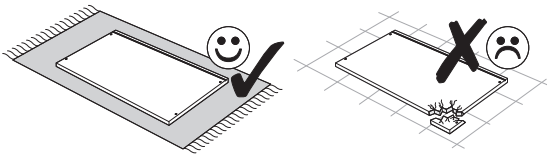
17▶



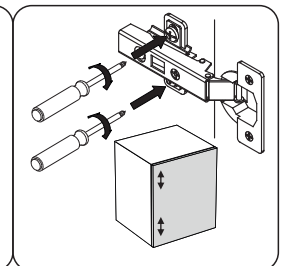
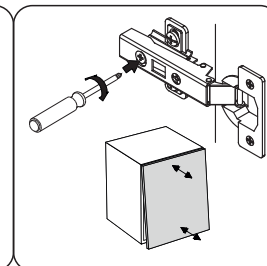
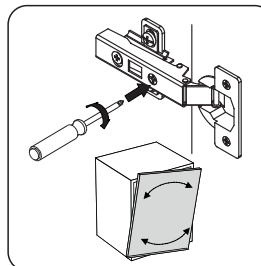
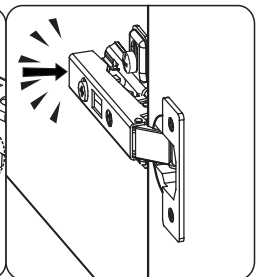
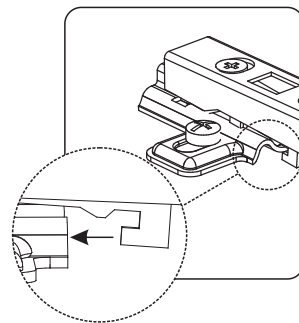
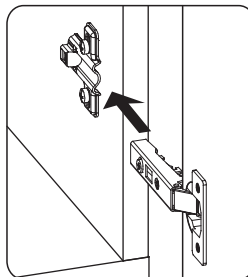
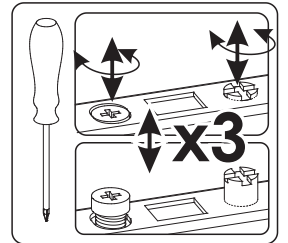
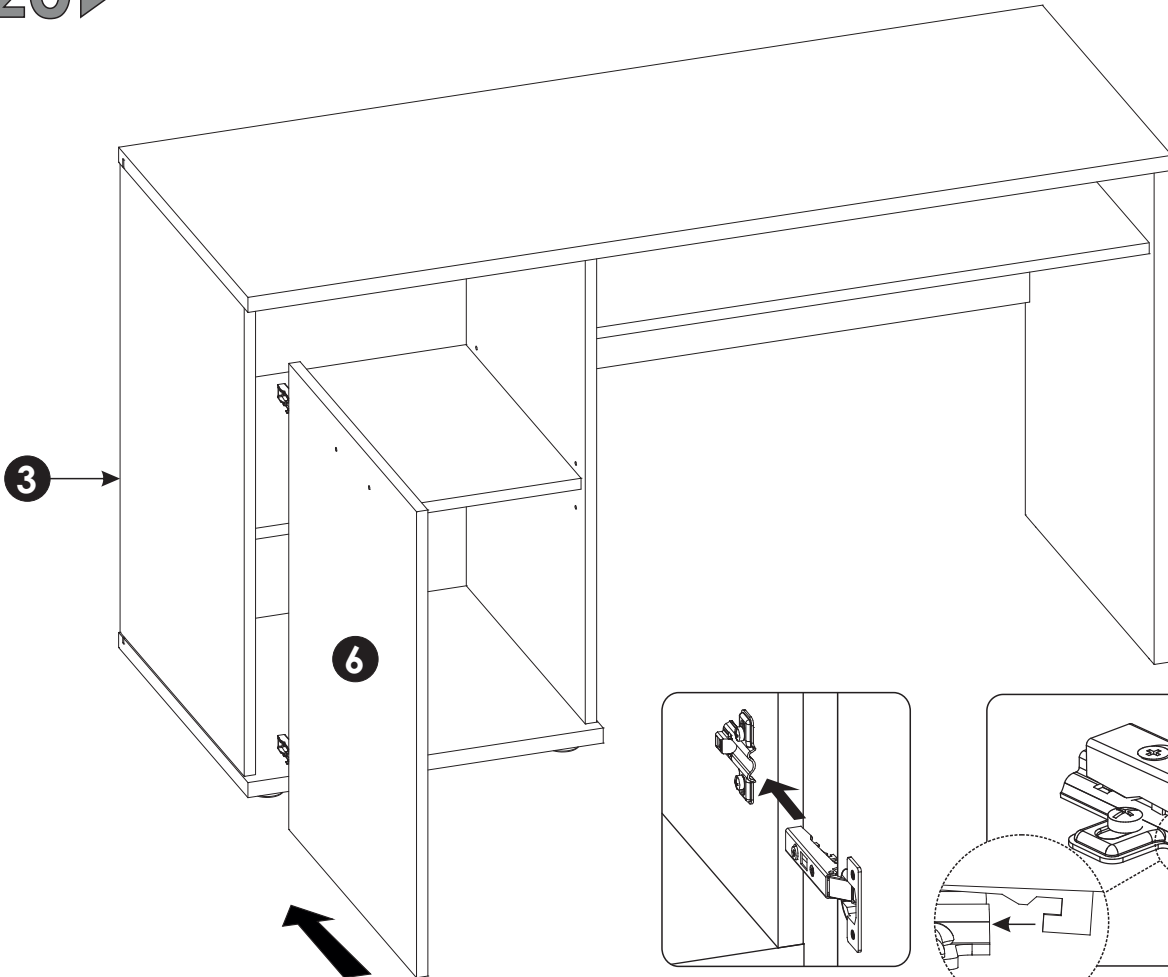
18▶



19 ▶



20 ▶



21 ▶

