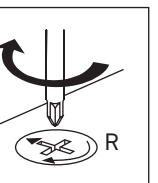
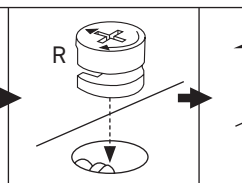
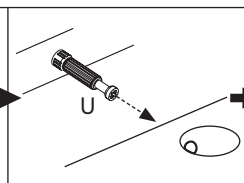
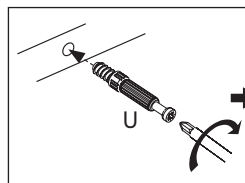
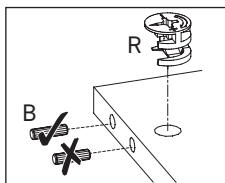
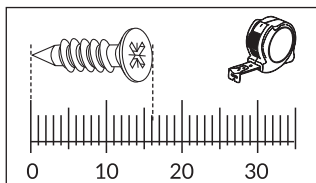
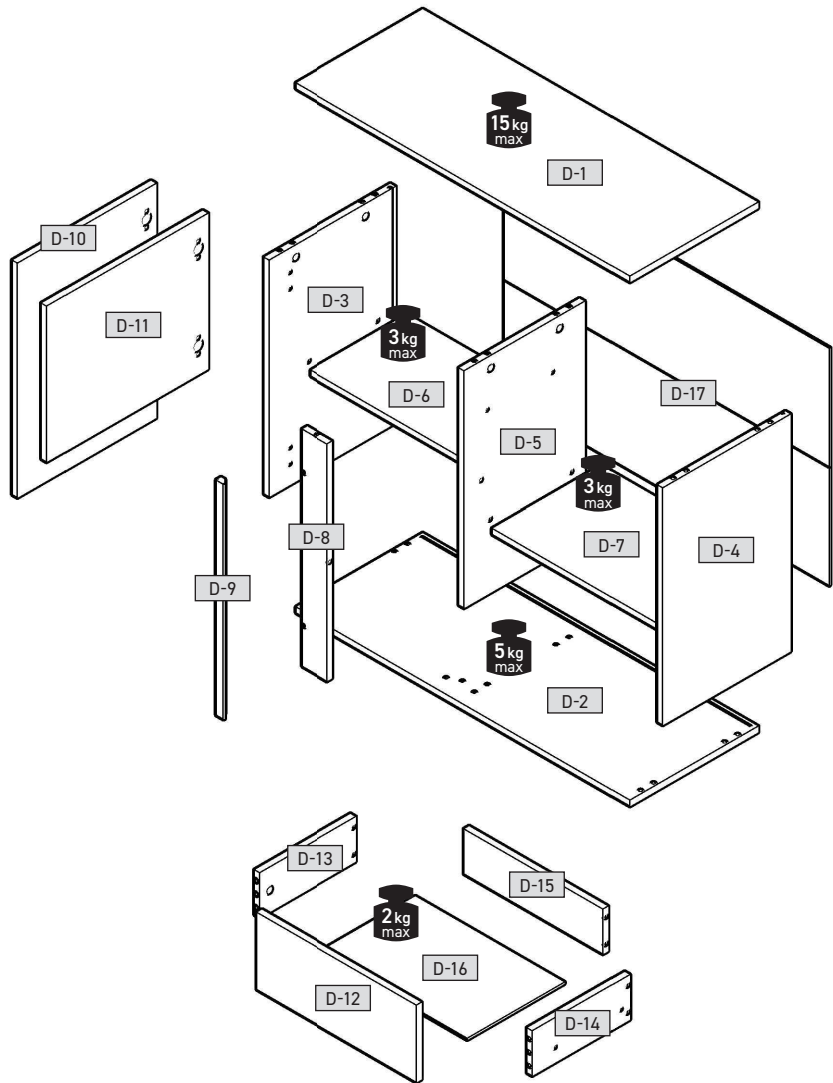


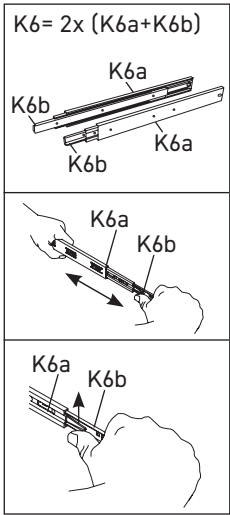
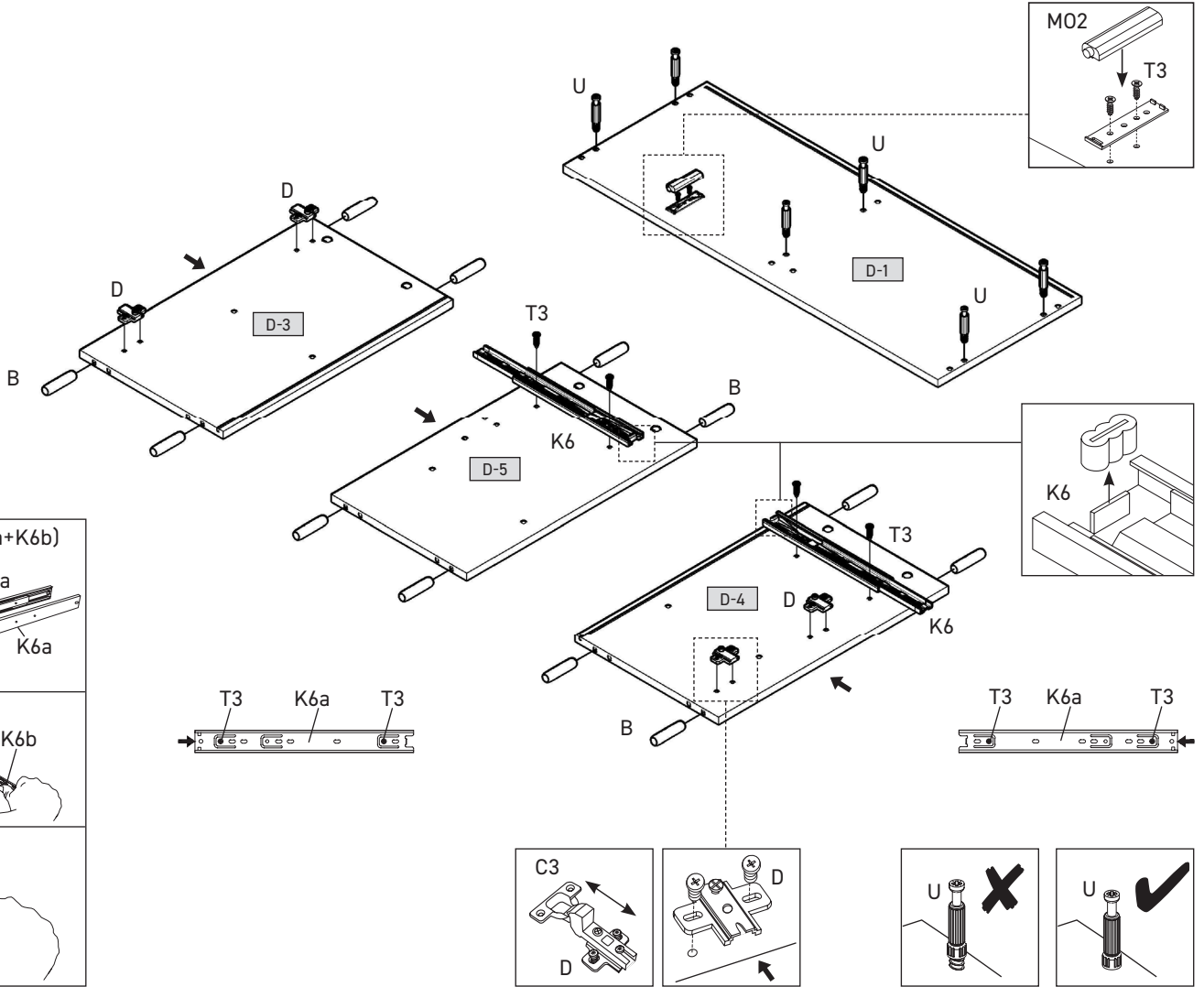
D-1	1033	395	16	x1	1/1
D-2	1033	395	16	x1	1/1
D-3	632	394	16	x1	1/1
D-4	632	394	16	x1	1/1
D-5	632	372	16	x1	1/1
D-6	482	300	16	x1	1/1
D-7	502	345	16	x1	1/1
D-8	632	90	16	x1	1/1
D-9	628	24	16	x1	1/1
D-10	426	626	16	x1	1/1
D-11	496	416	16	x1	1/1
D-12	496	206	16	x1	1/1
D-13	300	120	16	x1	1/1
D-14	300	120	16	x1	1/1
D-15	446	120	16	x1	1/1
D-16	476	306	3	x1	1/1
D-17	1014	646	3	x1	1/1



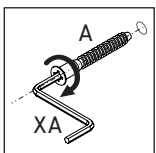
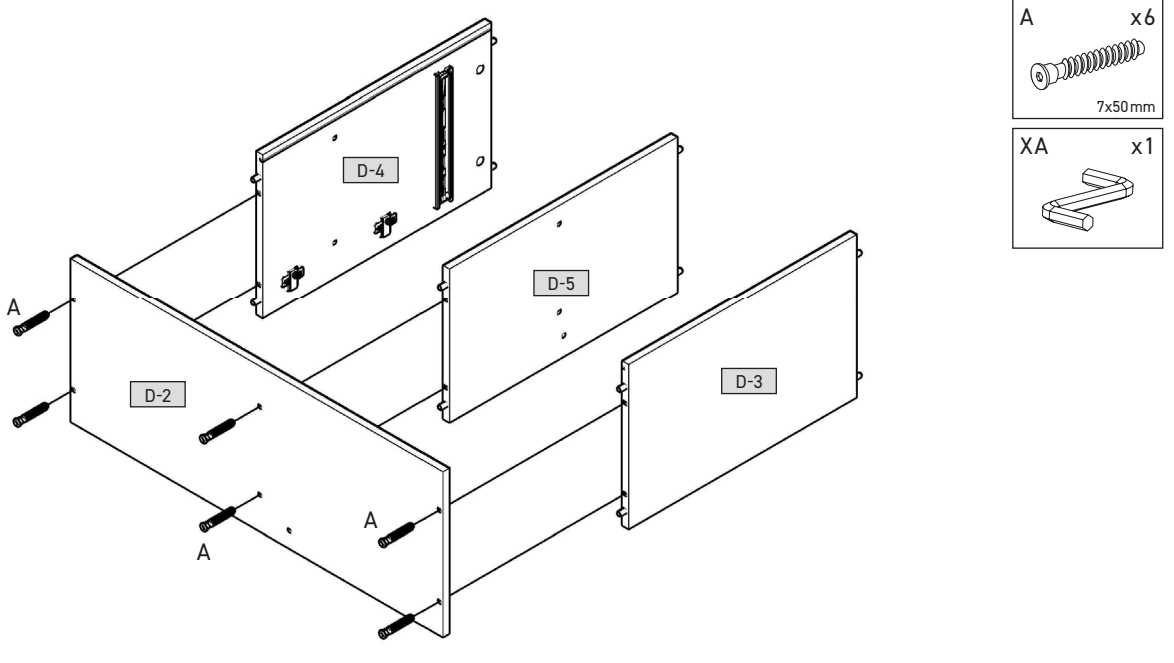
1

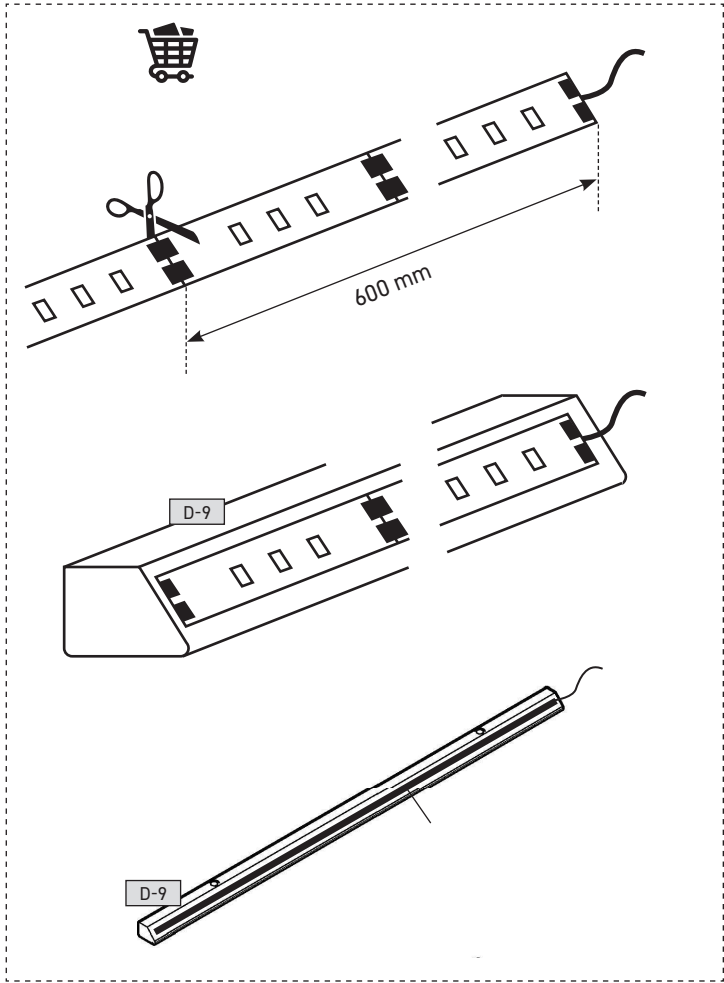


B x12 8x32mm	C3+D x4 W	K6 x1 L=300mm	M02 x1	T3 x6 5x9mm	U x6 L=24,3mm
------------------------	---------------------	-------------------------	---------------	-----------------------	-------------------------

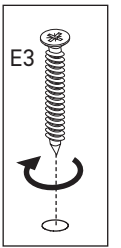
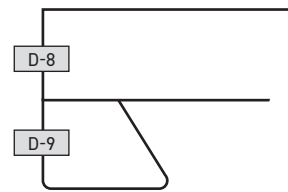
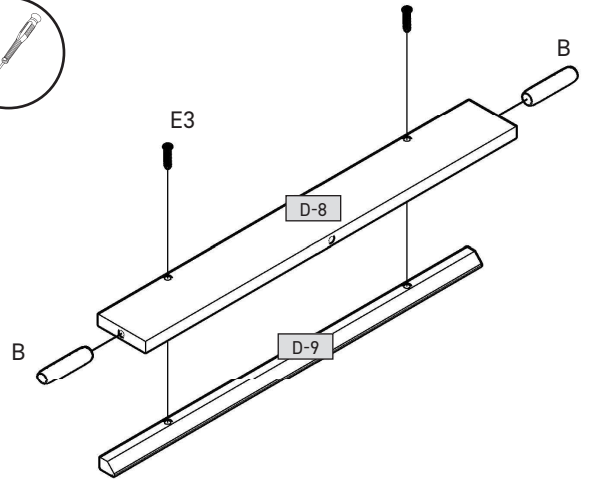
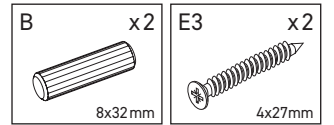


2

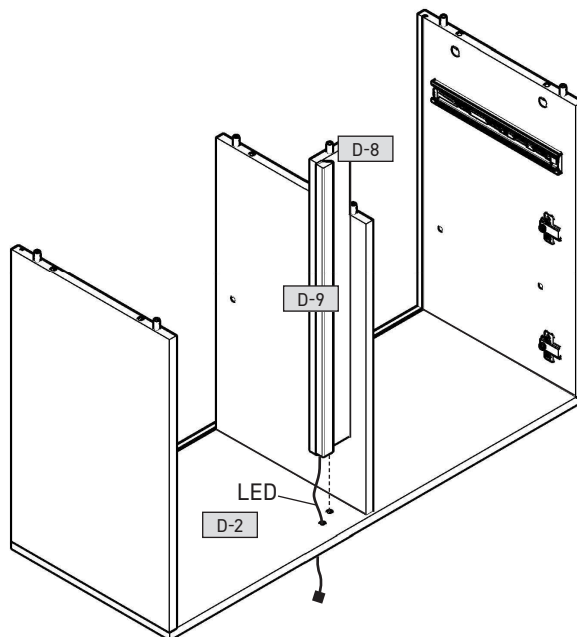
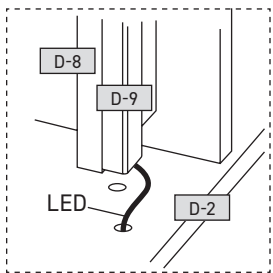




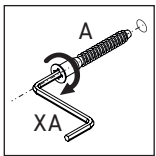
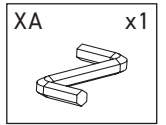
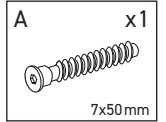
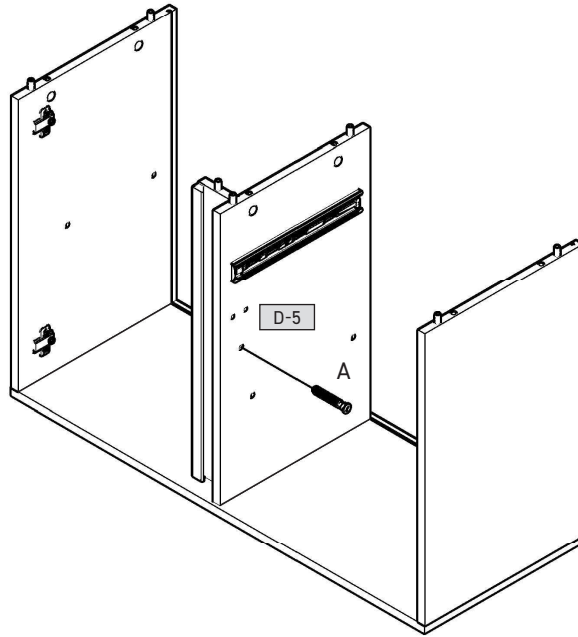
3



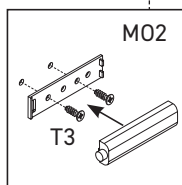
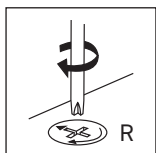
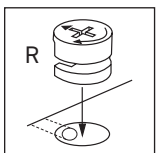
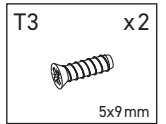
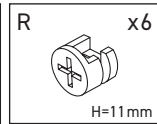
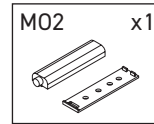
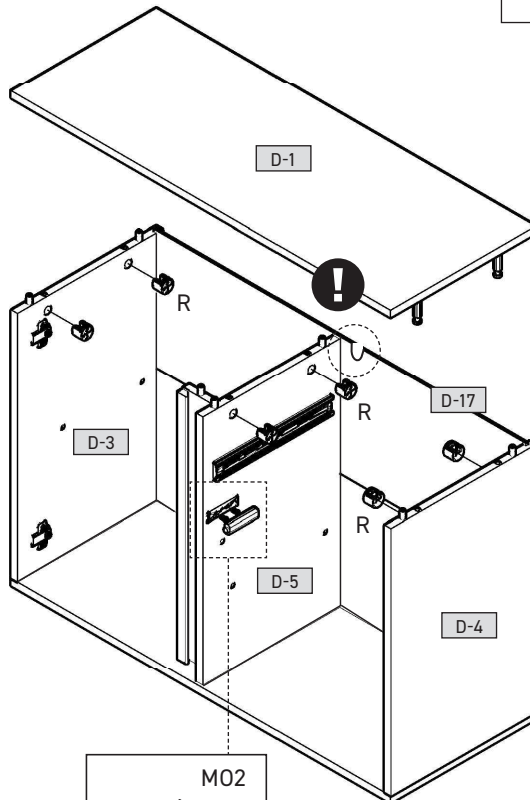
4



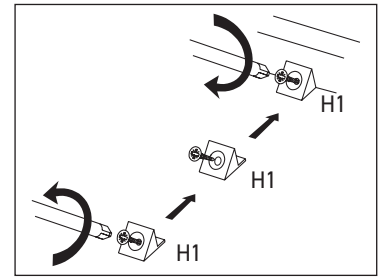
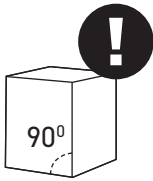
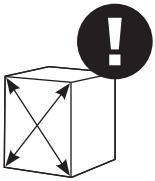
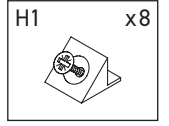
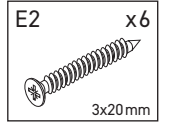
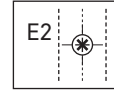
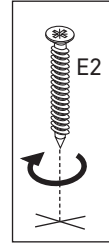
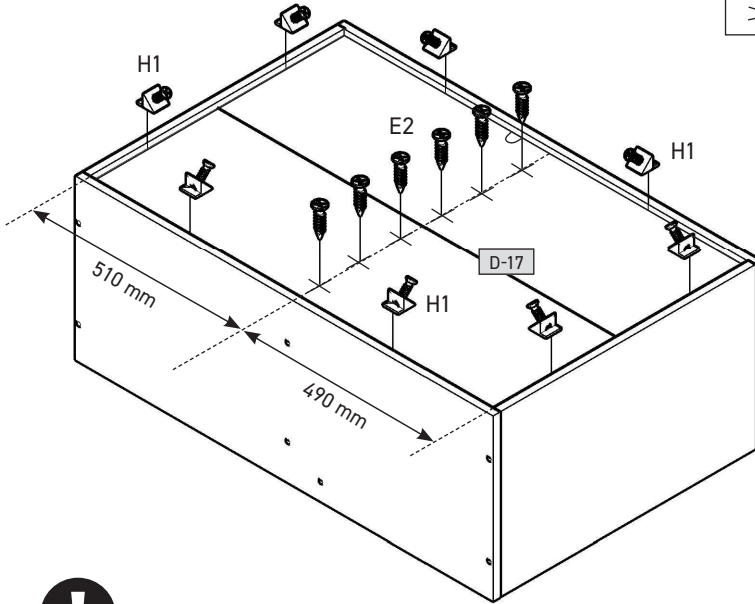
5



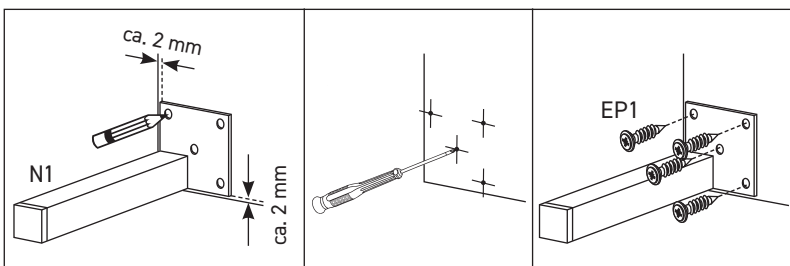
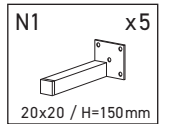
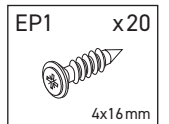
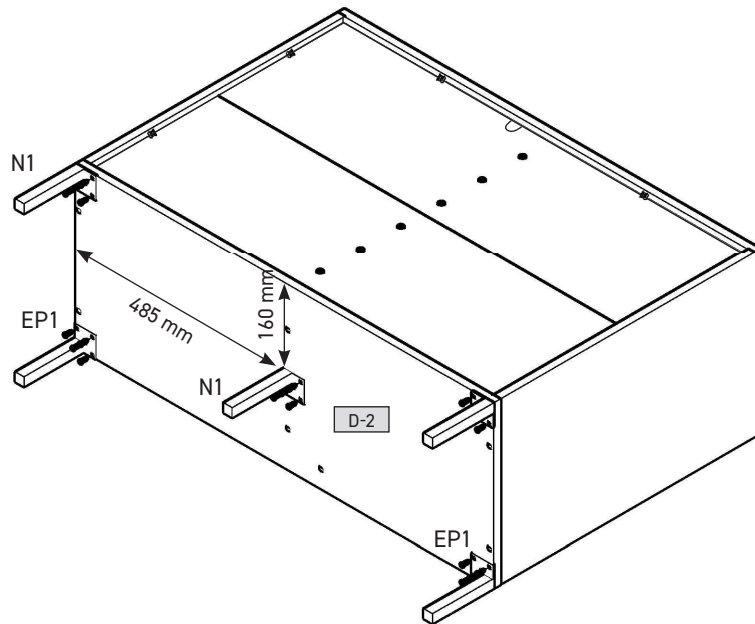
6



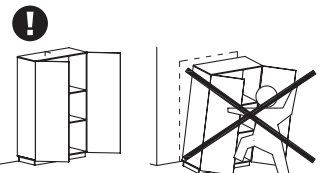
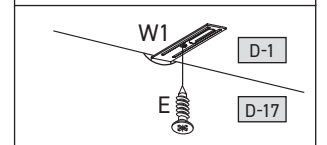
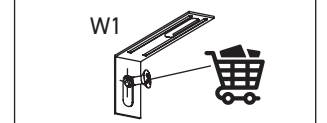
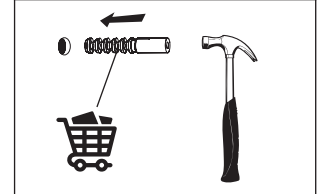
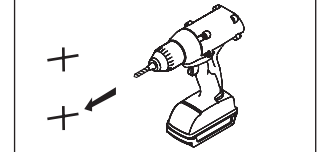
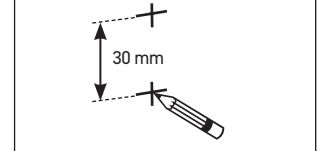
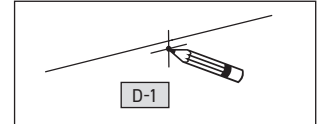
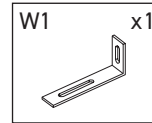
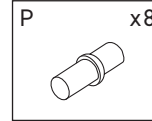
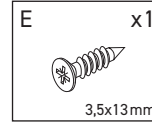
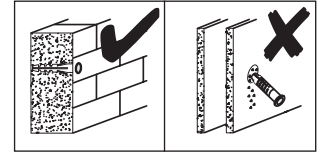
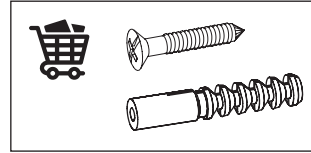
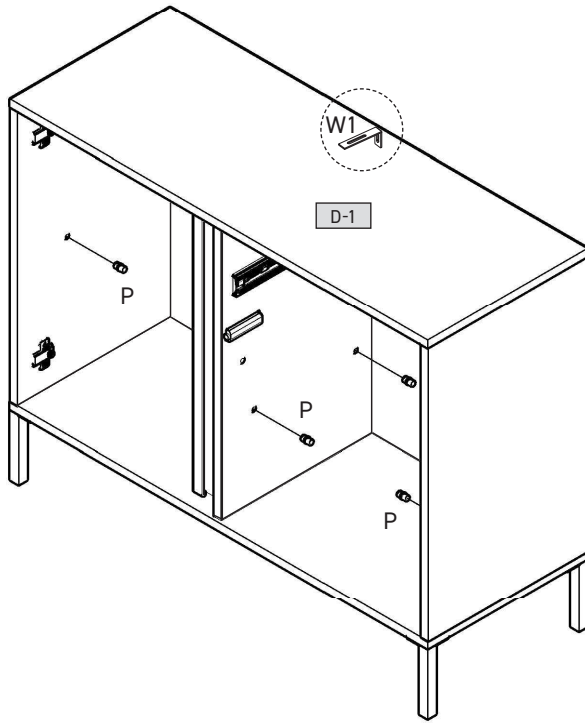
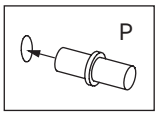
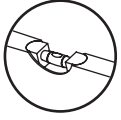
7



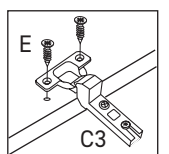
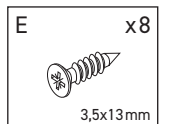
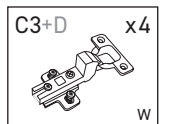
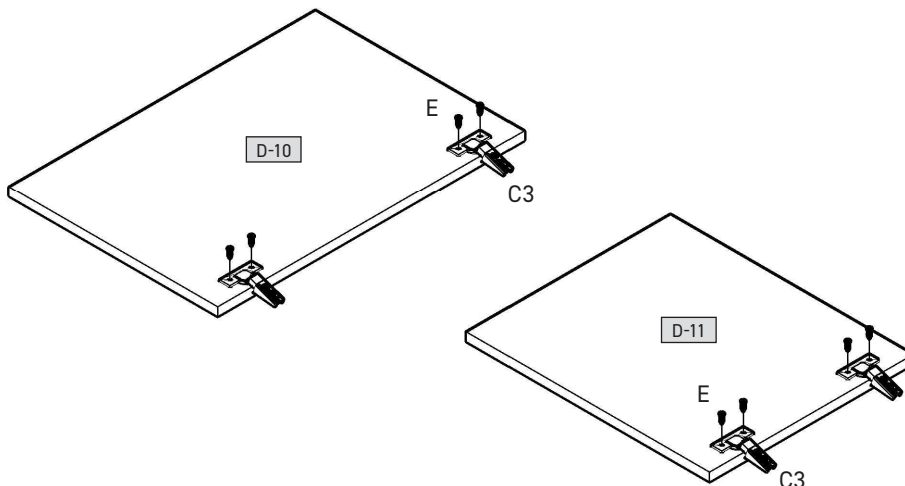
8



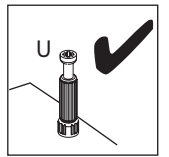
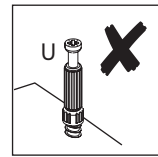
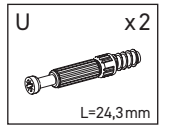
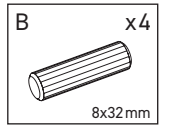
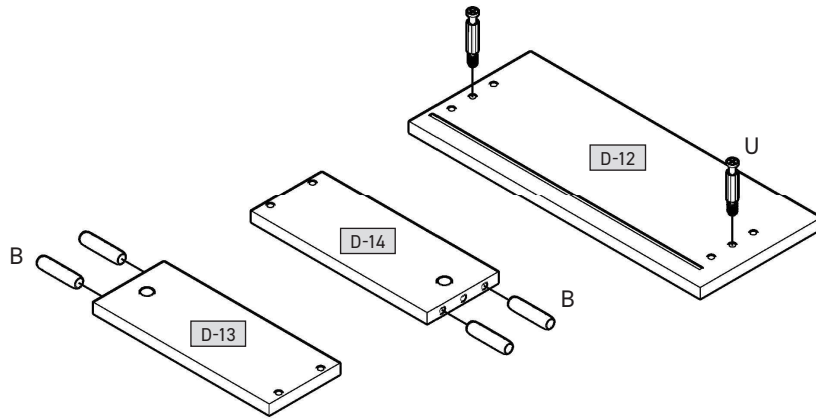
9



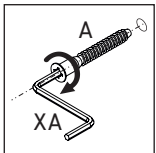
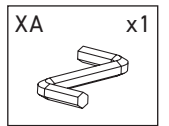
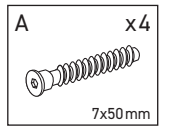
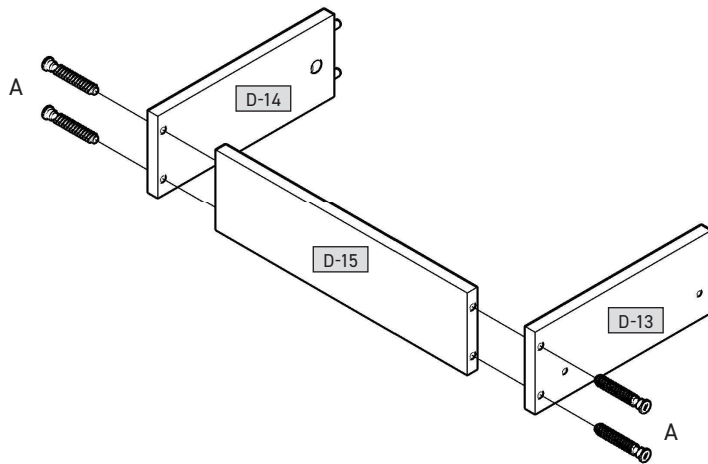
10



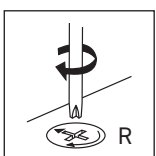
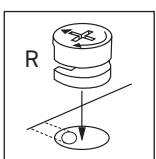
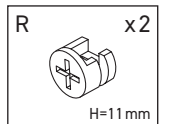
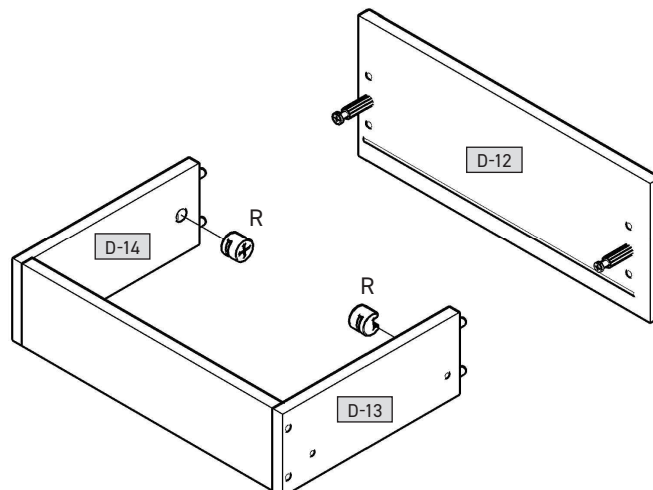
11



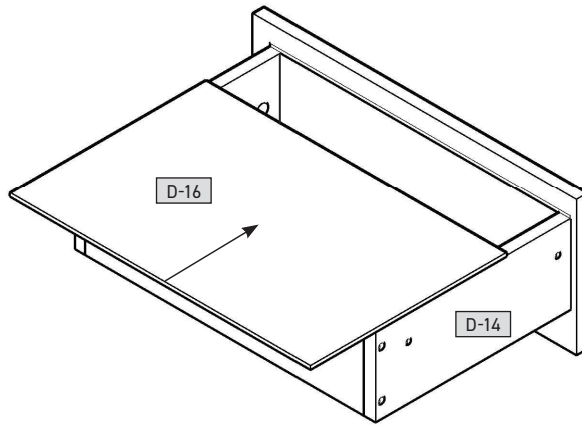
12



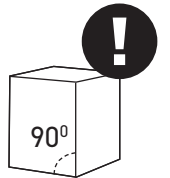
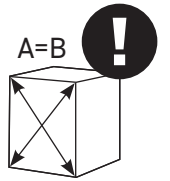
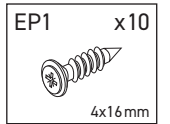
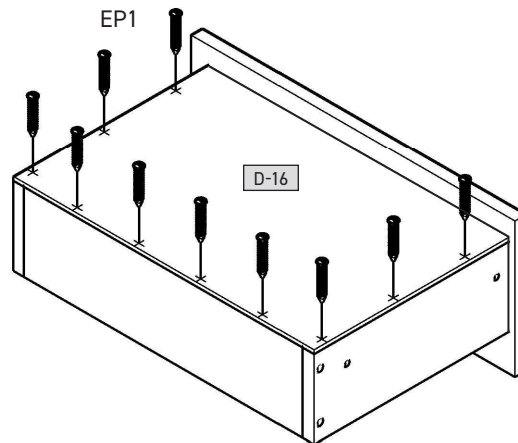
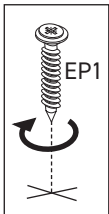
13



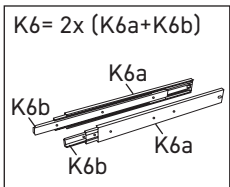
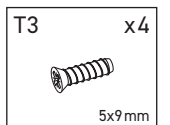
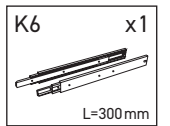
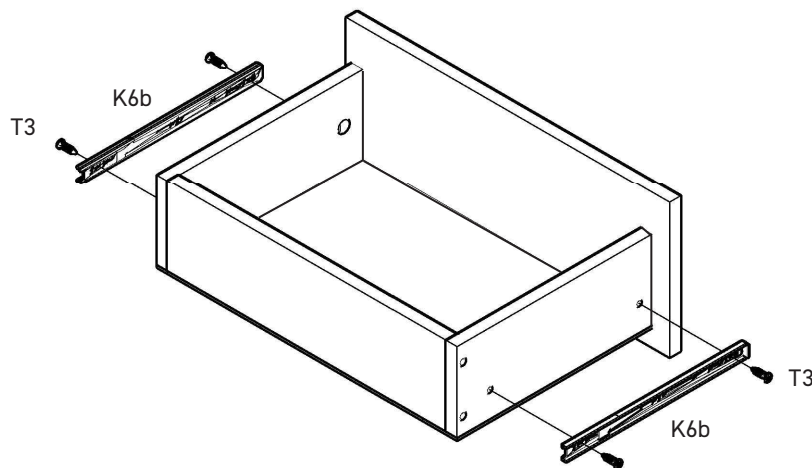
14



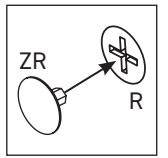
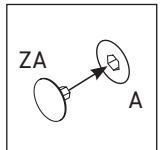
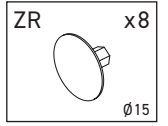
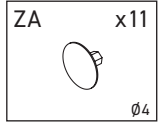
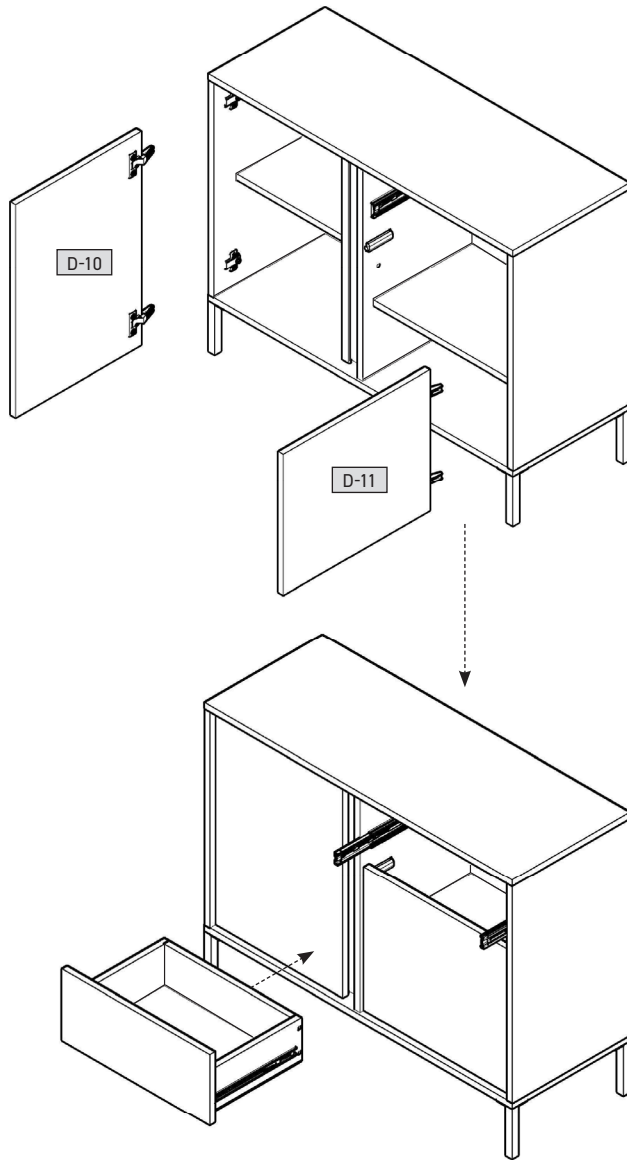
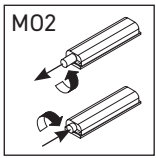
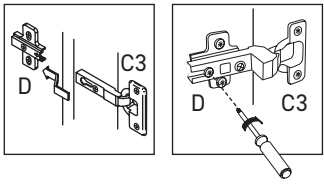
15



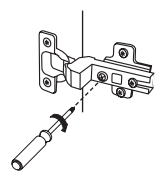
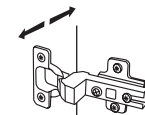
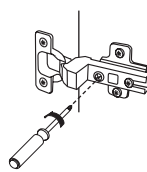
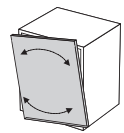
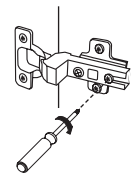
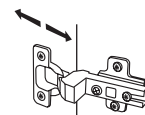
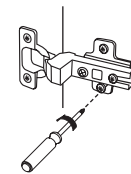
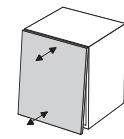
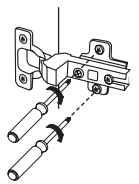
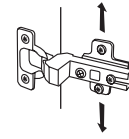
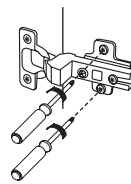
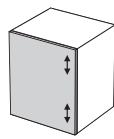
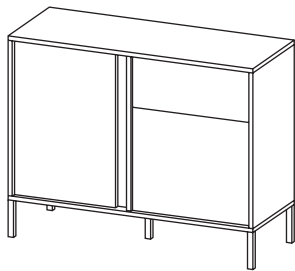
16

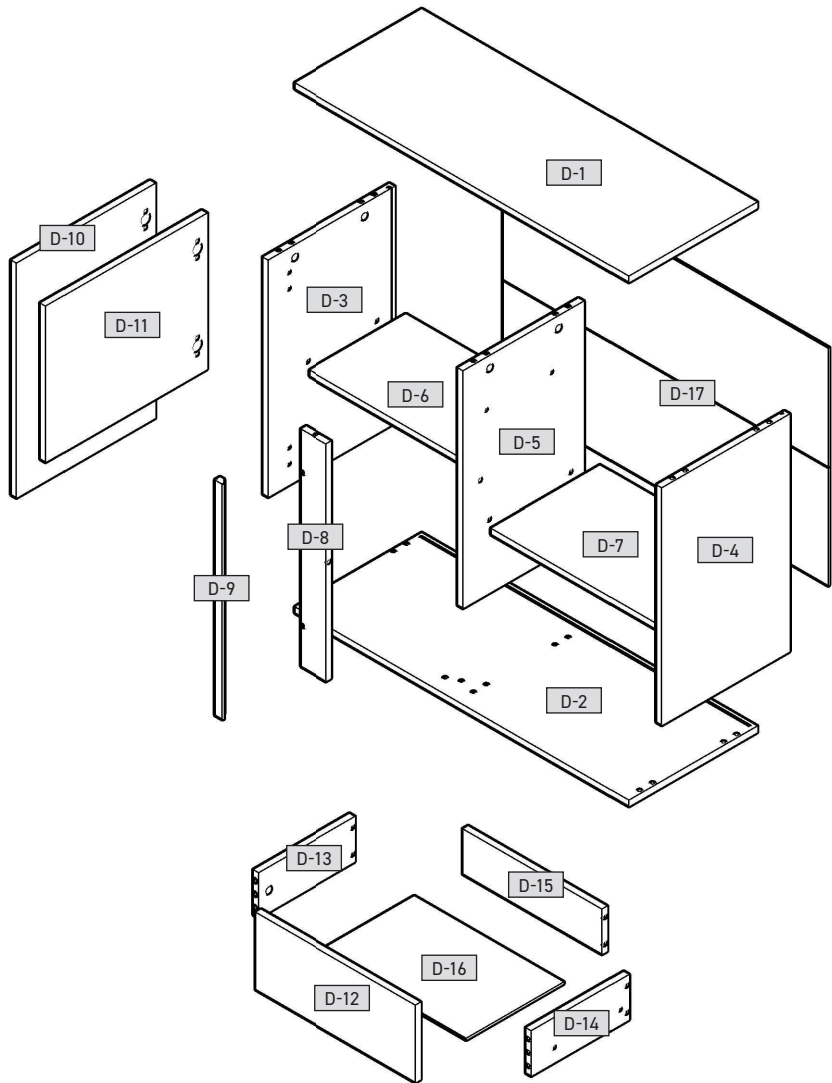
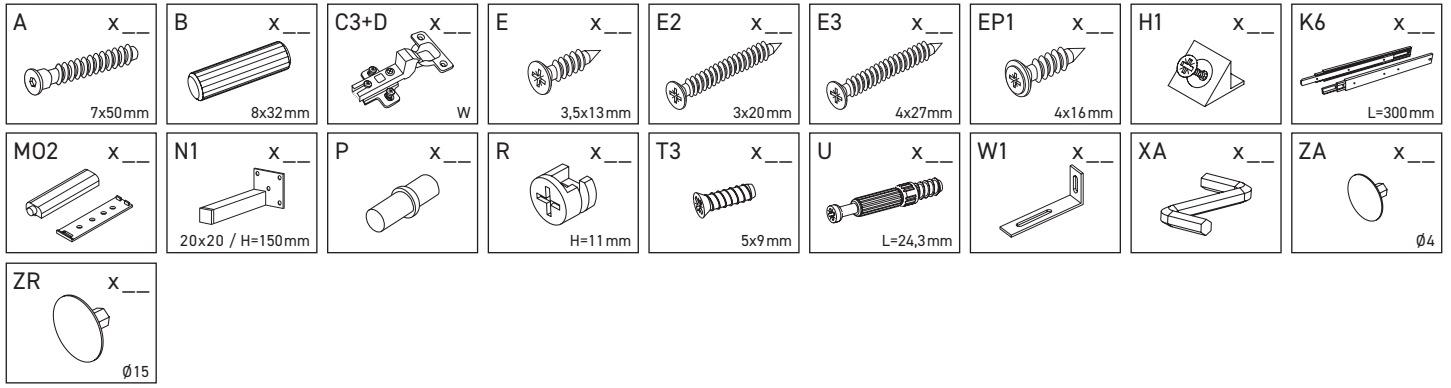


17



18





D-1	1033	395	16	x 1	1/1
D-2	1033	395	16	x 1	1/1
D-3	632	394	16	x 1	1/1
D-4	632	394	16	x 1	1/1
D-5	632	372	16	x 1	1/1
D-6	482	300	16	x 1	1/1
D-7	502	345	16	x 1	1/1
D-8	632	90	16	x 1	1/1
D-9	628	24	16	x 1	1/1
D-10	426	626	16	x 1	1/1
D-11	496	416	16	x 1	1/1
D-12	496	206	16	x 1	1/1
D-13	300	120	16	x 1	1/1
D-14	300	120	16	x 1	1/1
D-15	446	120	16	x 1	1/1
D-16	476	306	3	x 1	1/1
D-17	1014	646	3	x 1	1/1

