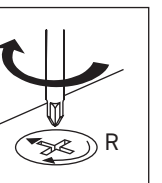
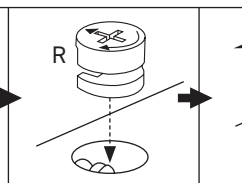
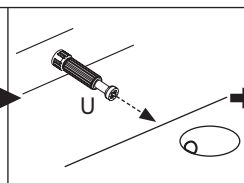
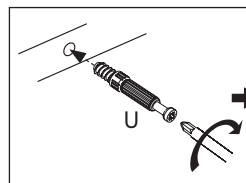
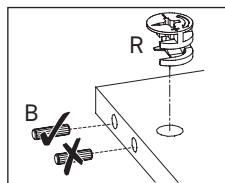
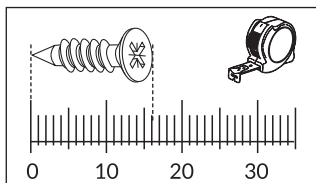
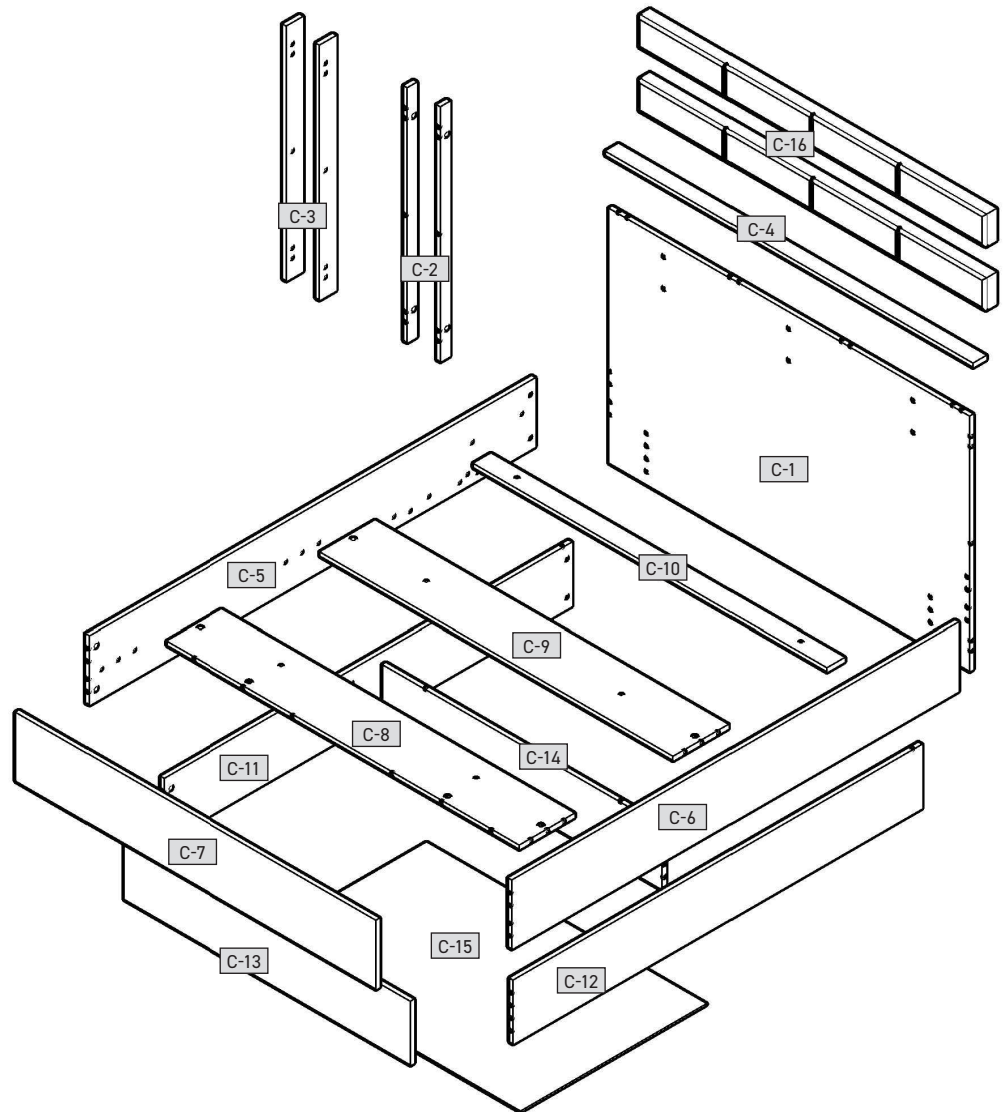
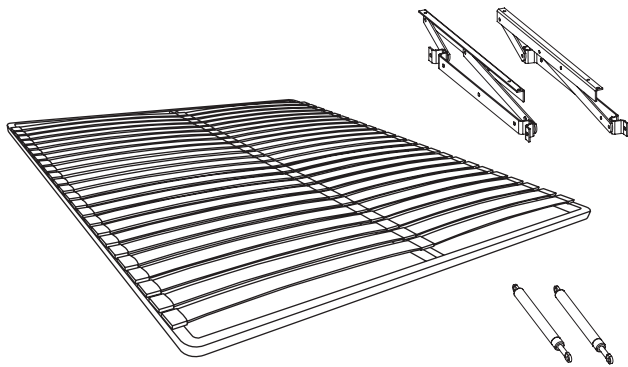


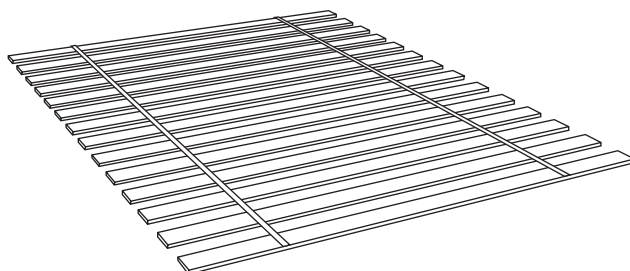
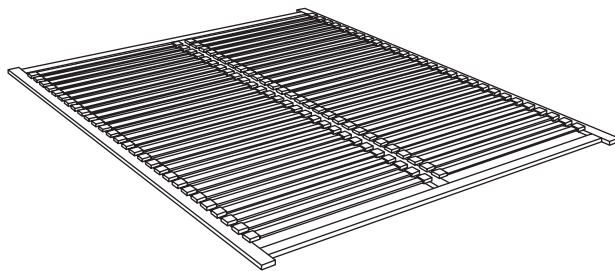
| | | | | | |
|------|------|------|----|-----|-----|
| C-1 | 1632 | 1000 | 16 | x 1 | 2/2 |
| C-2 | 1000 | 44 | 16 | x 2 | 1/2 |
| C-3 | 1000 | 76 | 16 | x 2 | 2/2 |
| C-4 | 1666 | 78 | 16 | x 1 | 1/2 |
| C-5 | 2022 | 270 | 16 | x 1 | 1/2 |
| C-6 | 2022 | 270 | 16 | x 1 | 1/2 |
| C-7 | 1633 | 271 | 16 | x 1 | 2/2 |
| C-8 | 1600 | 250 | 16 | x 1 | 2/2 |
| C-9 | 1600 | 250 | 16 | x 1 | 2/2 |
| C-10 | 1600 | 80 | 16 | x 1 | 2/2 |
| C-11 | 1850 | 250 | 16 | x 1 | 1/2 |
| C-12 | 1850 | 250 | 16 | x 1 | 1/2 |
| C-13 | 1301 | 250 | 16 | x 1 | 2/2 |
| C-14 | 1268 | 250 | 16 | x 1 | 2/2 |
| C-15 | 1296 | 1002 | 3 | x 1 | 2/2 |
| C-16 | 1568 | 125 | 55 | x 2 | 1/2 |



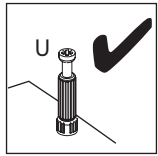
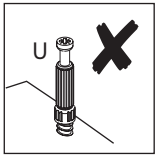
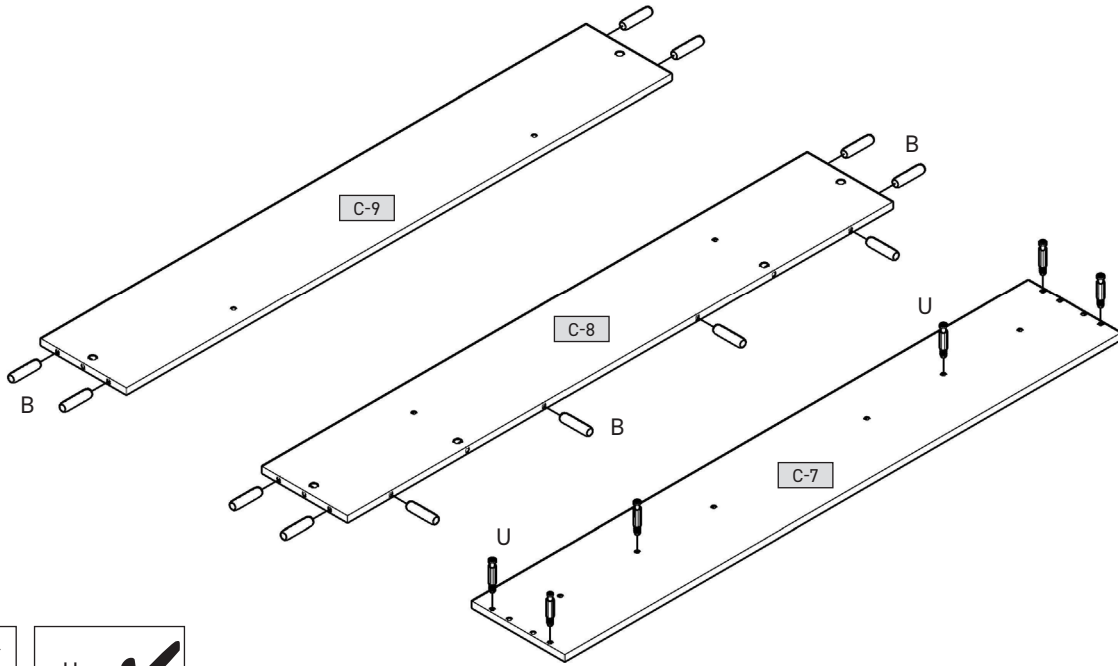
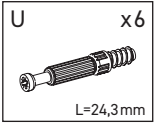
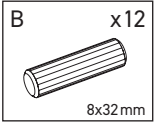


A

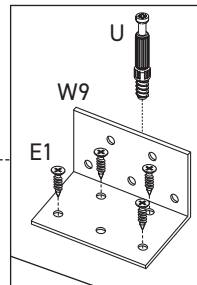
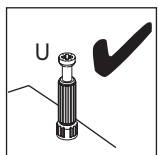
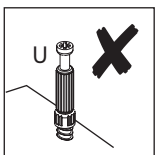
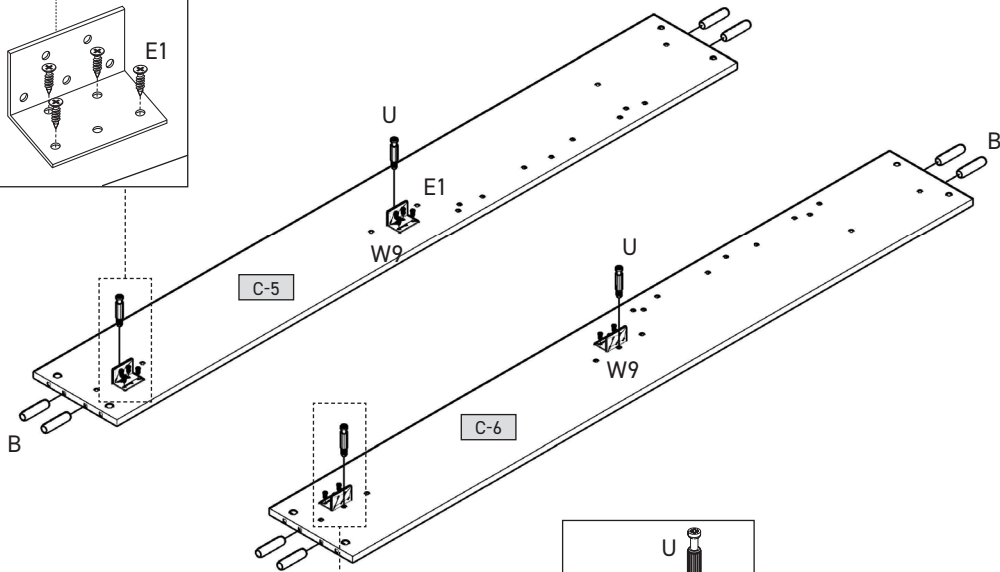
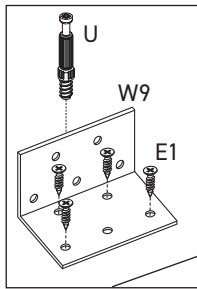
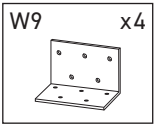
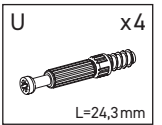
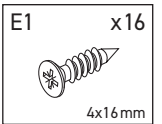
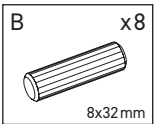
C



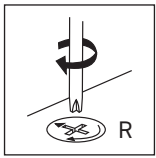
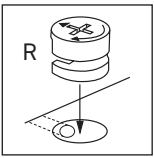
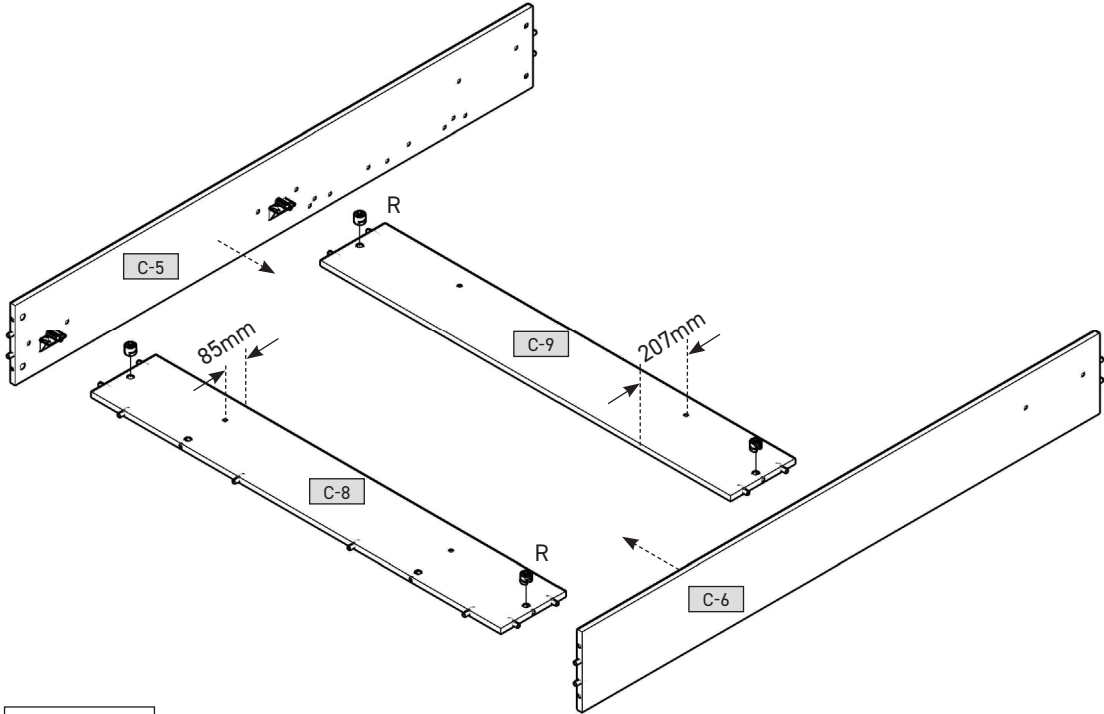
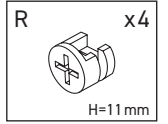
1



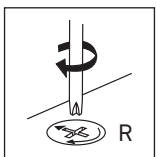
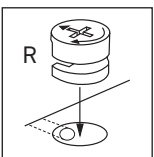
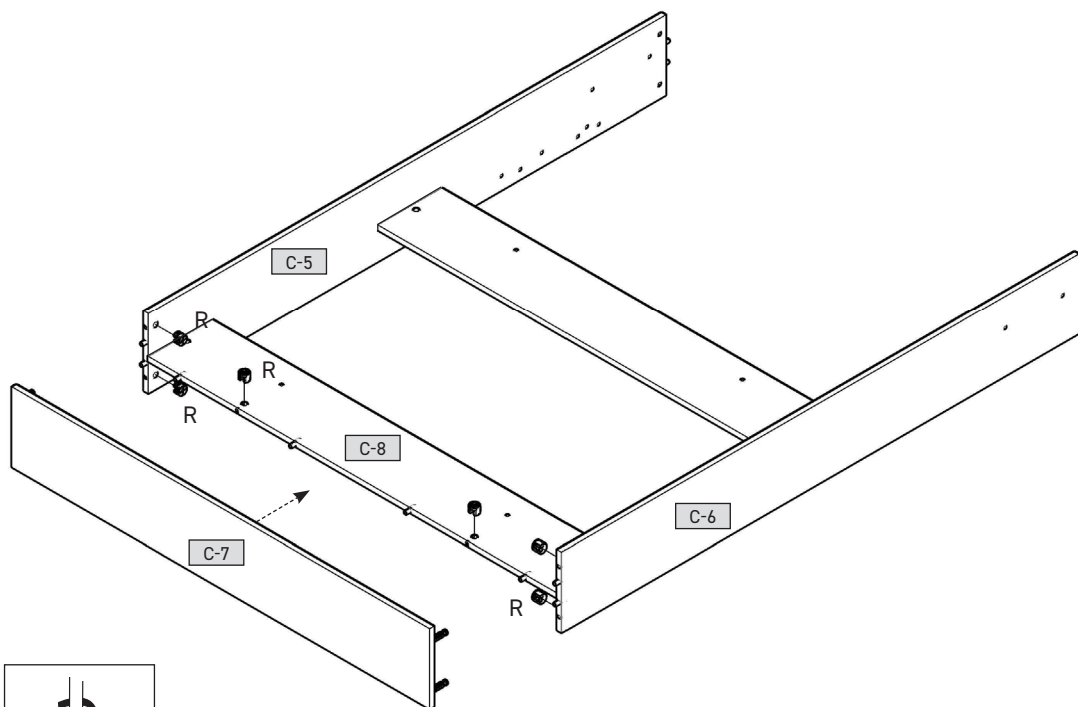
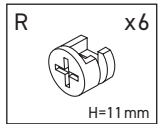
2



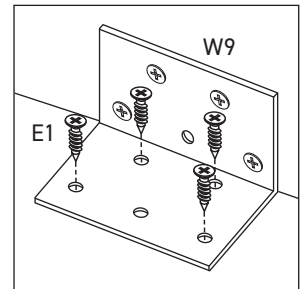
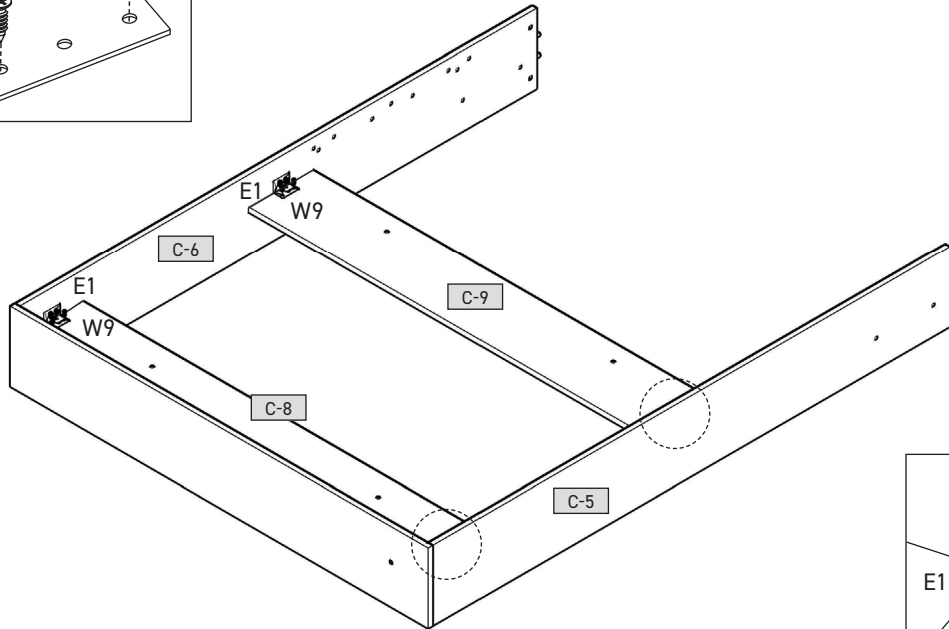
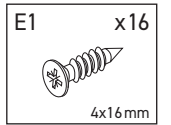
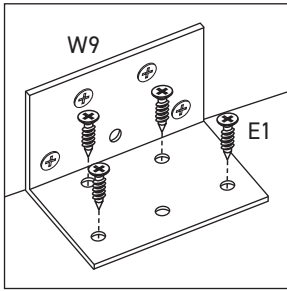
3



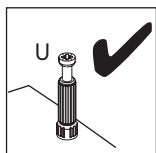
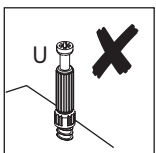
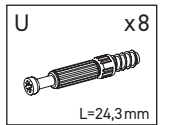
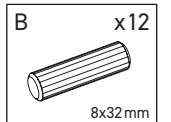
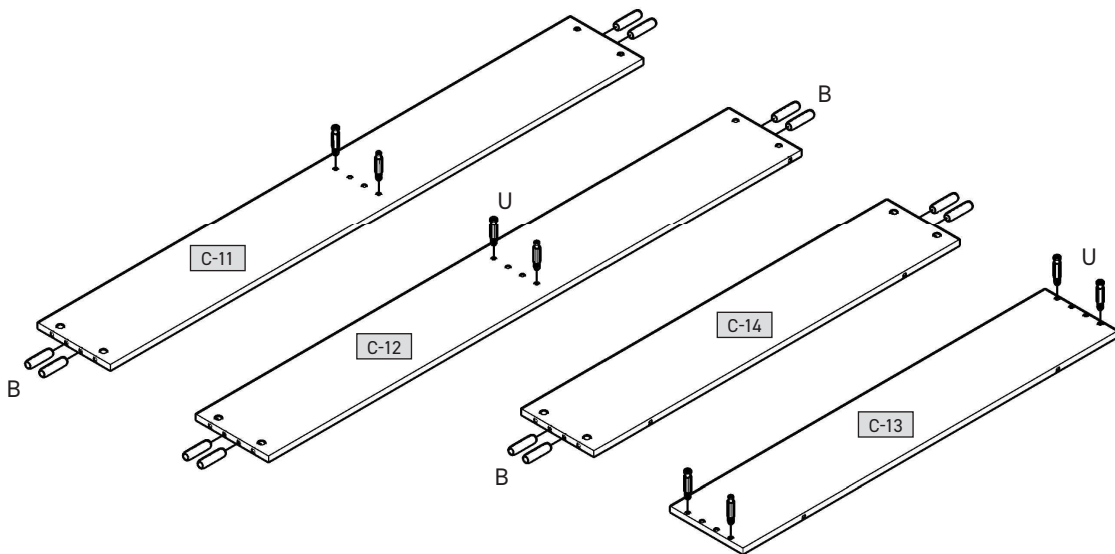
4



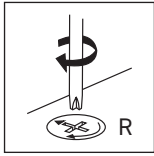
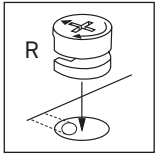
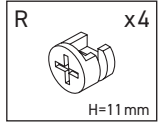
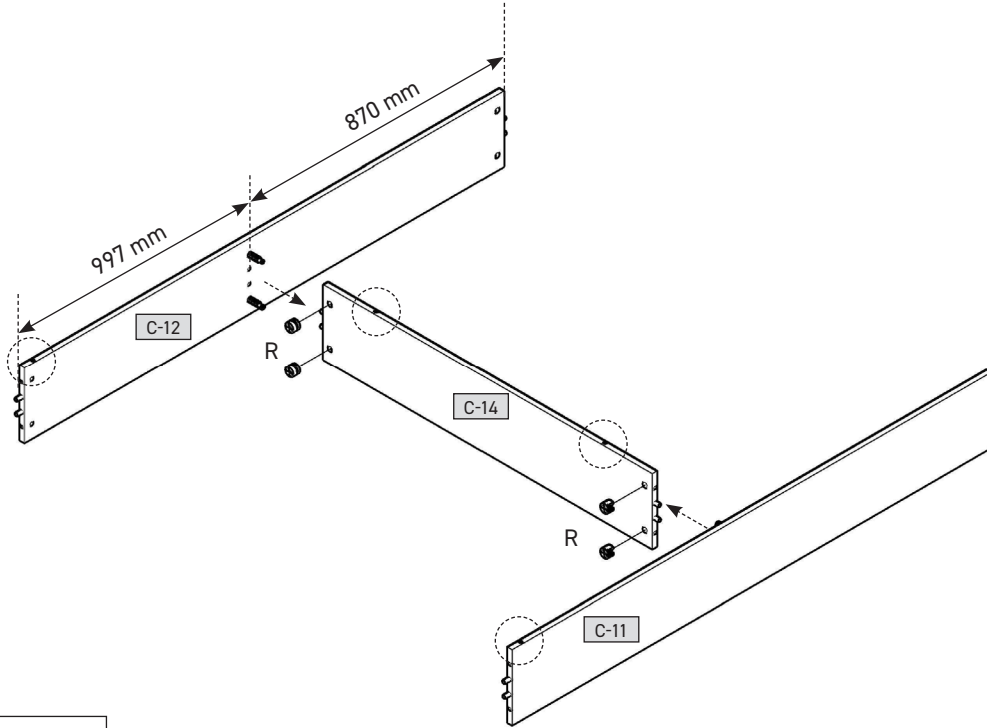
5



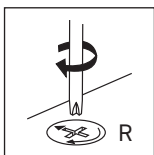
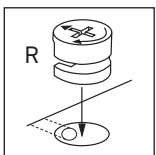
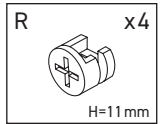
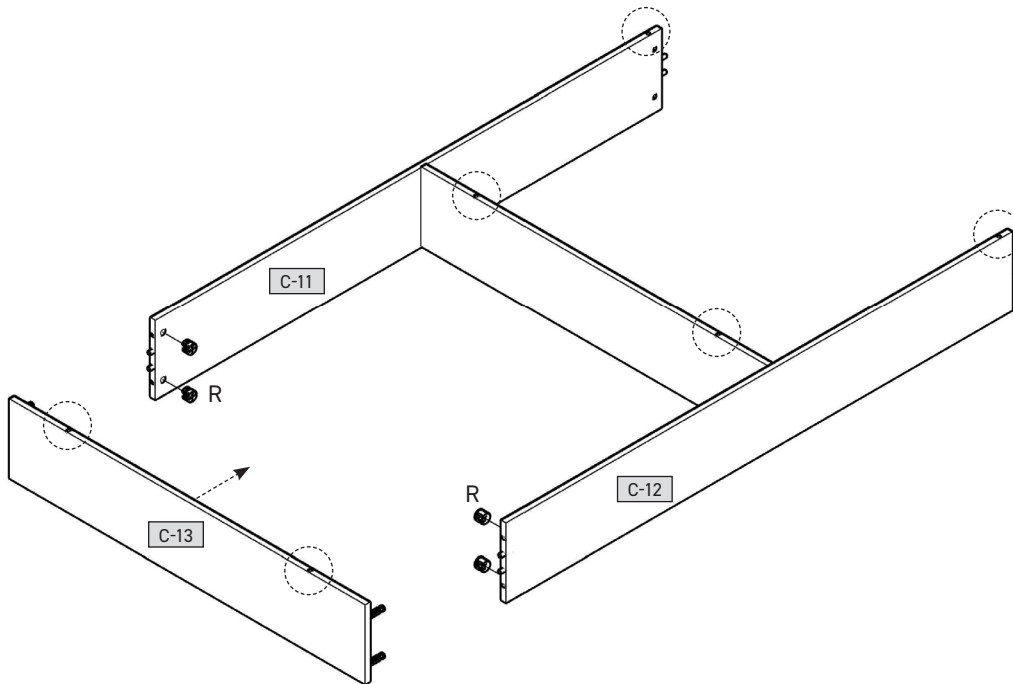
6



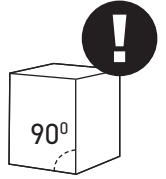
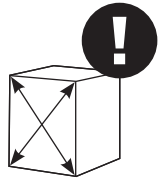
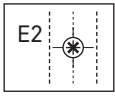
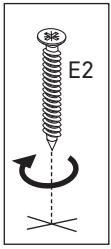
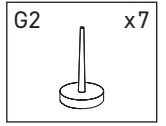
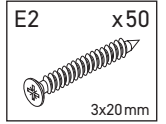
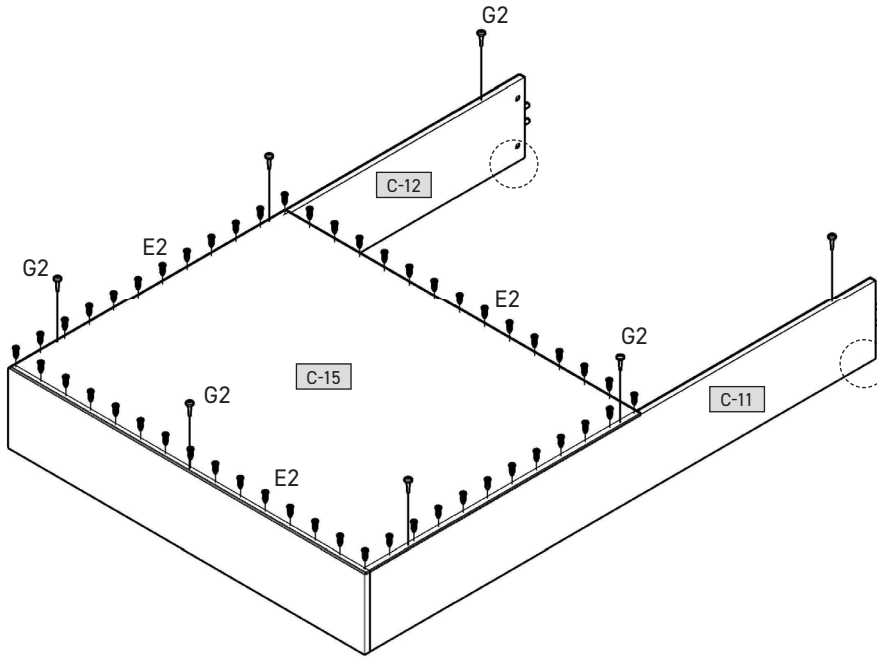
7



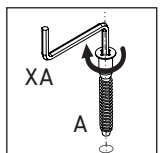
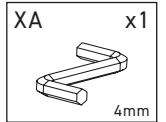
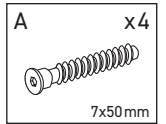
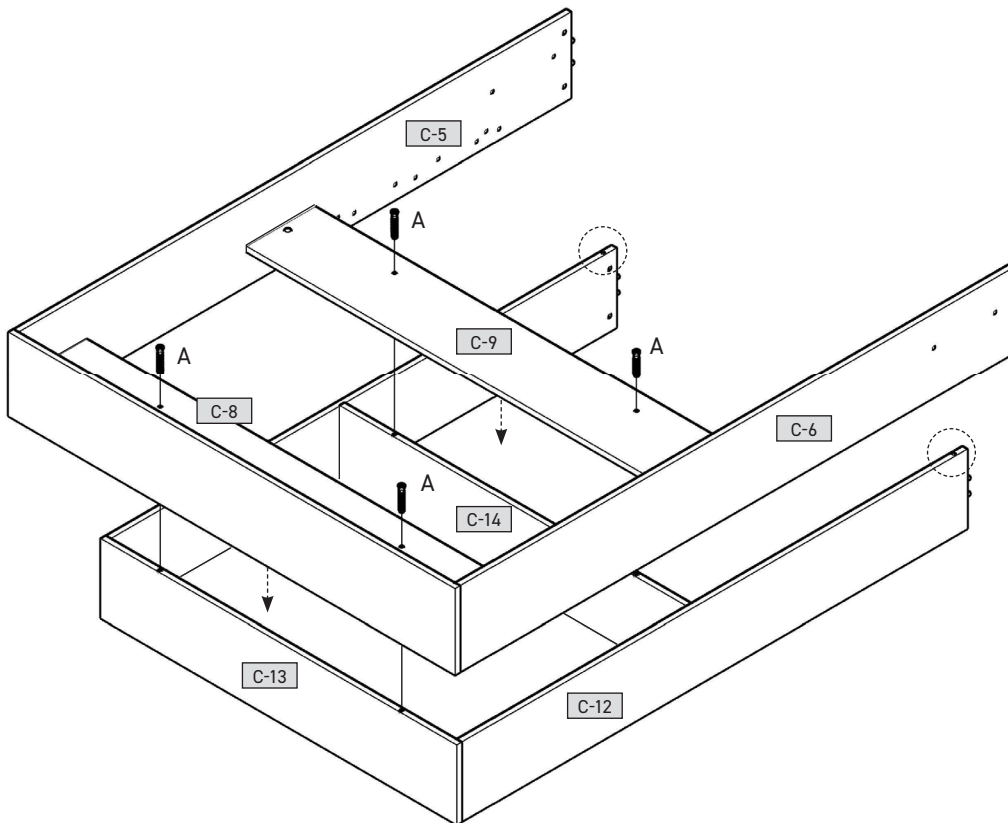
8



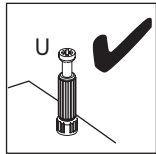
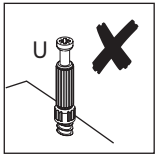
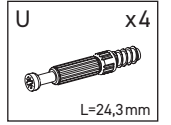
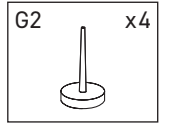
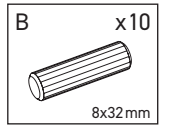
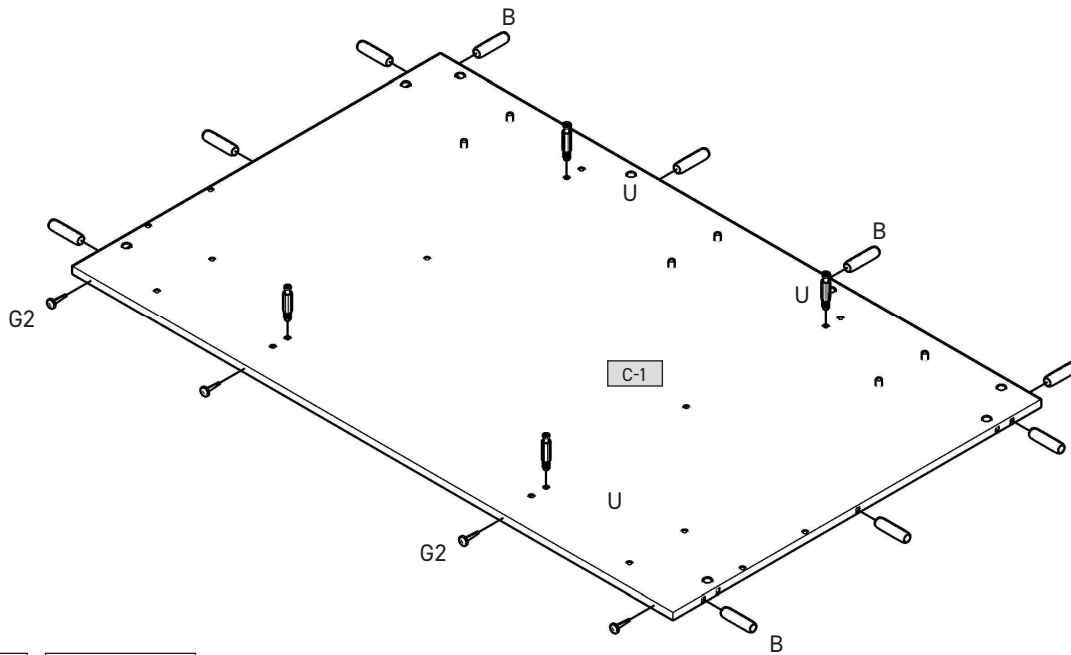
9



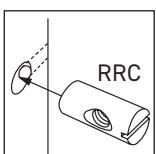
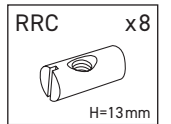
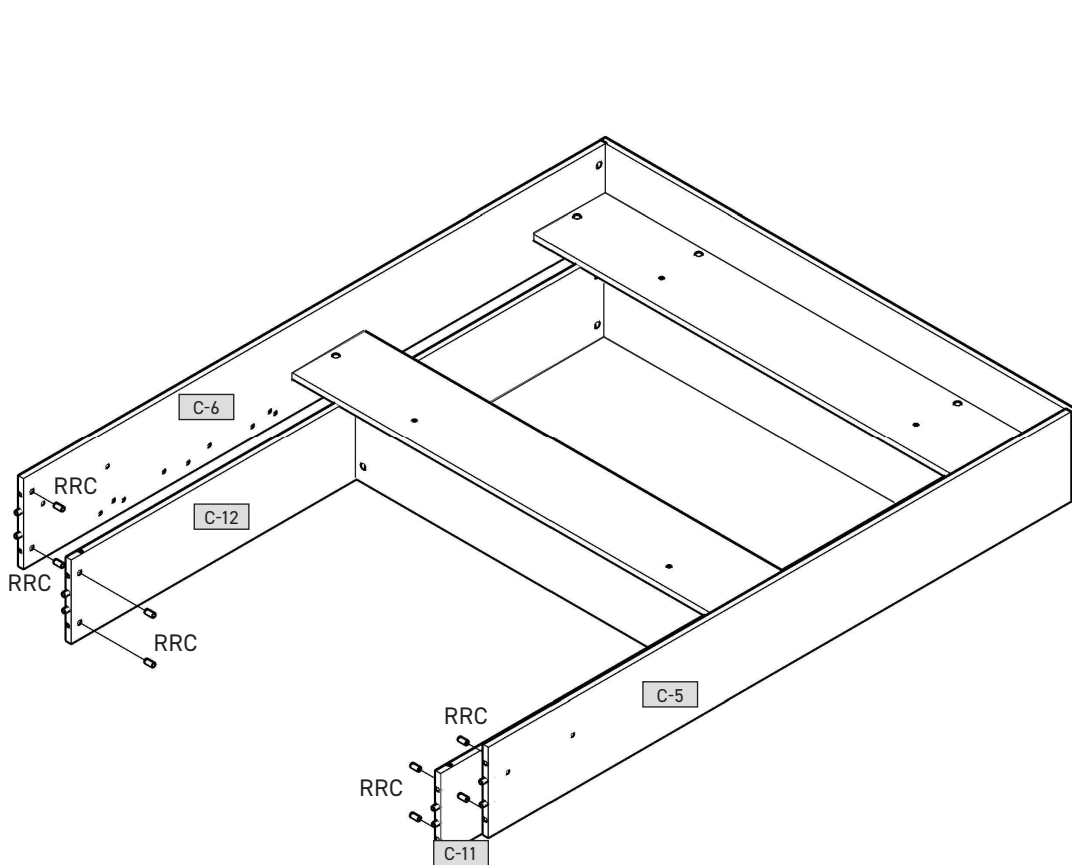
10



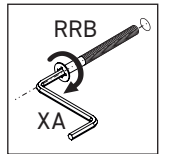
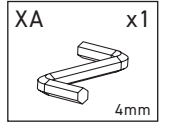
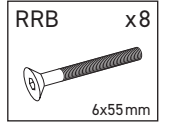
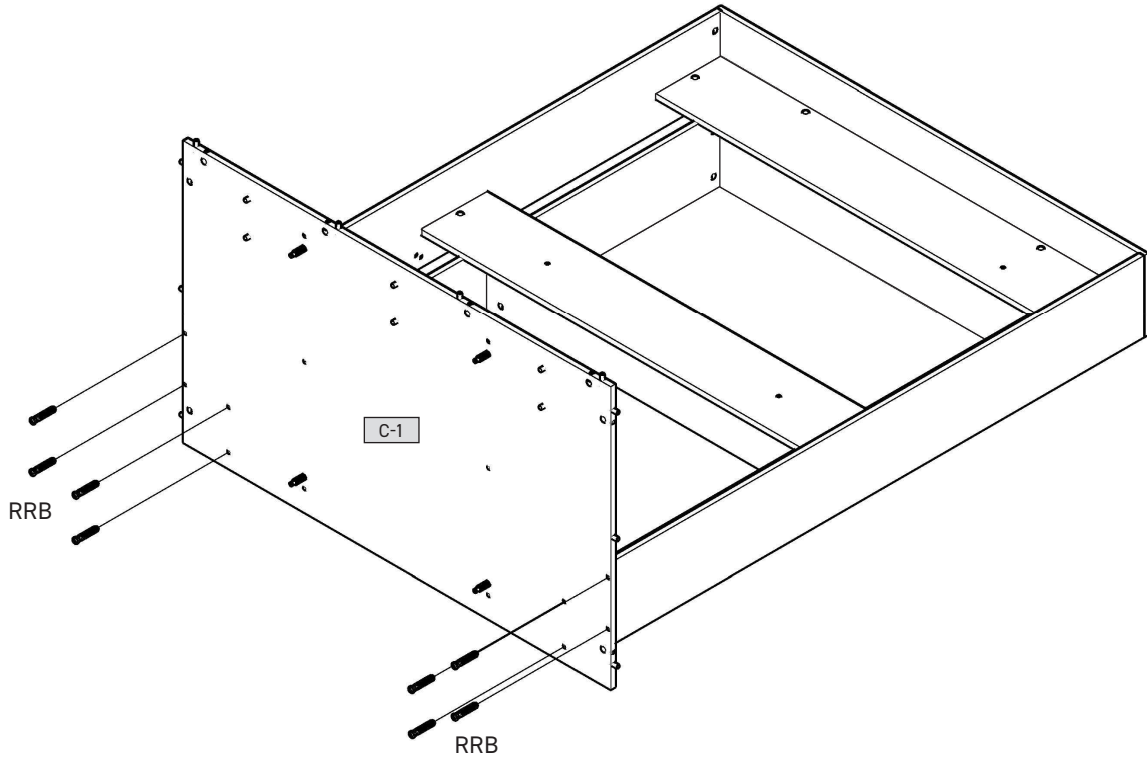
11



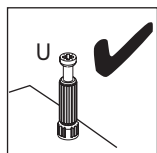
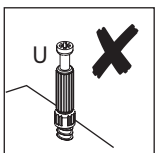
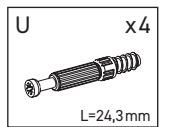
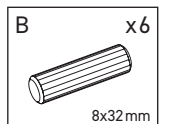
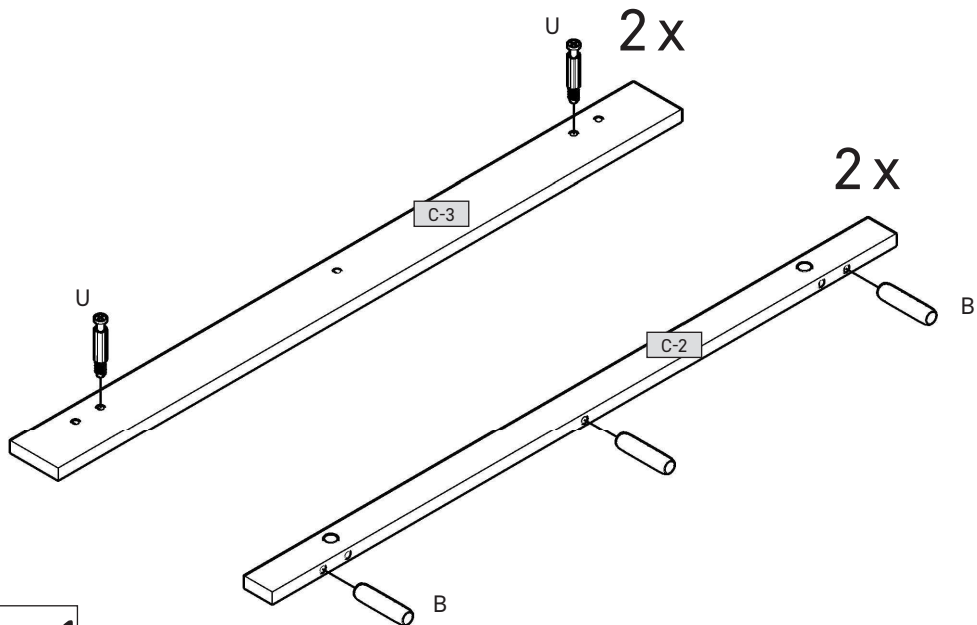
12



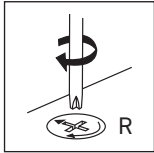
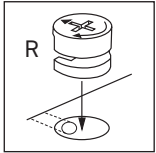
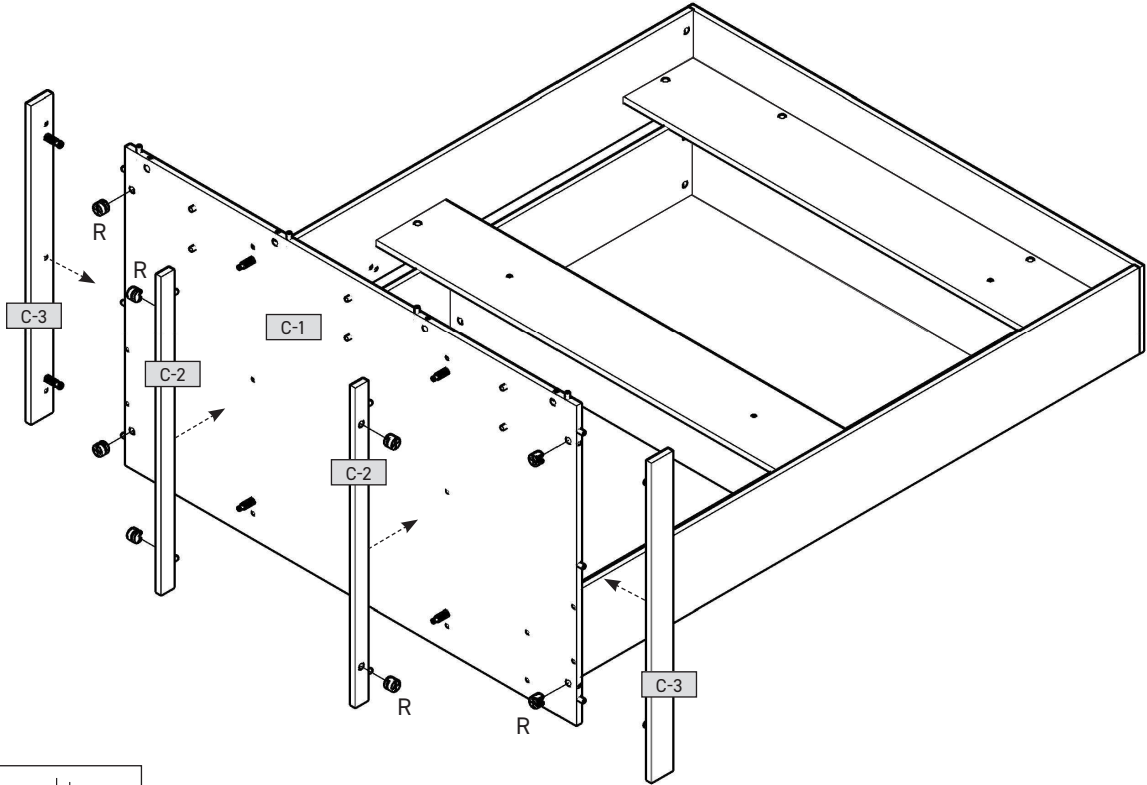
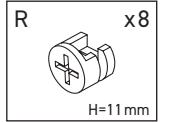
13



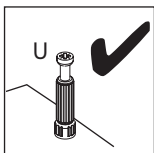
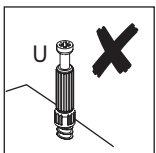
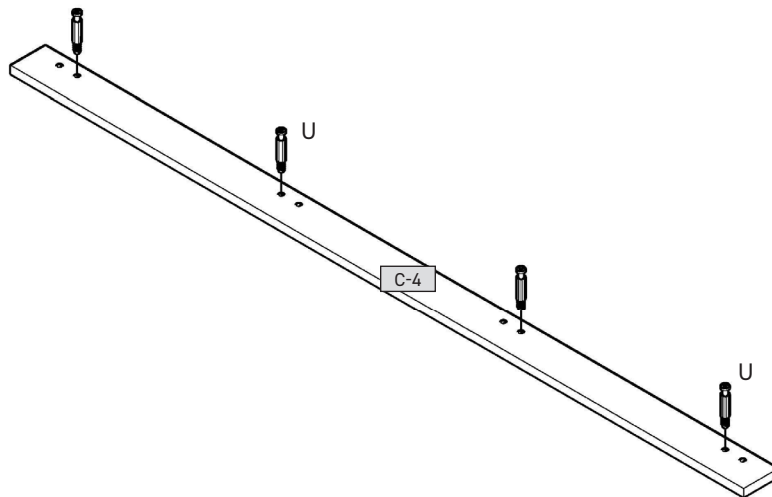
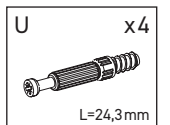
14



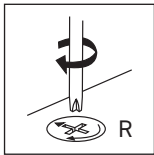
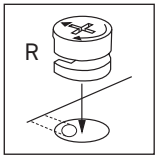
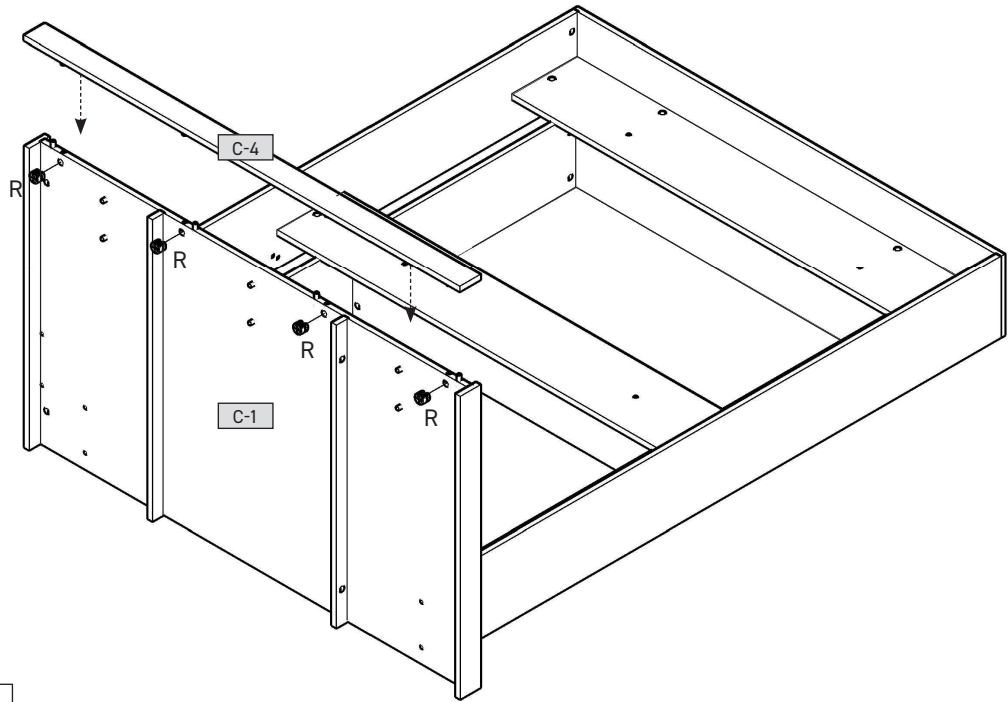
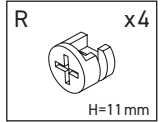
15



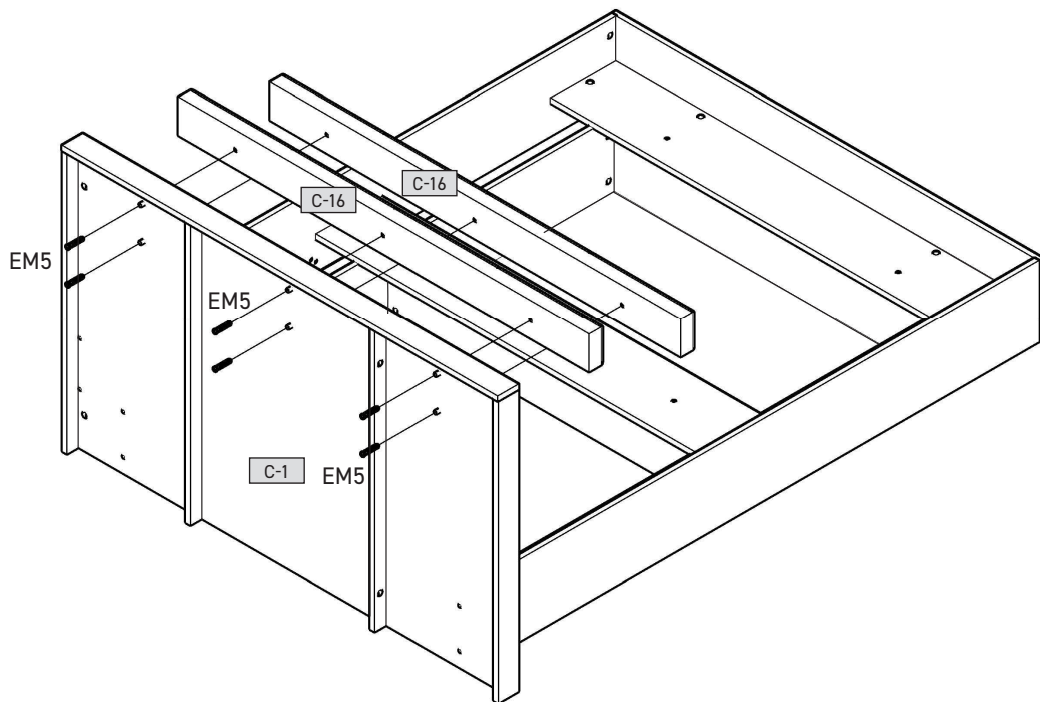
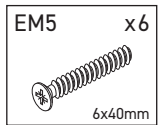
16



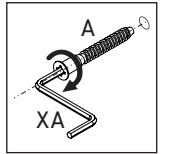
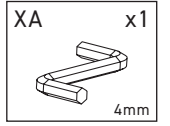
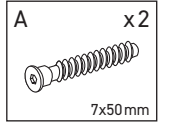
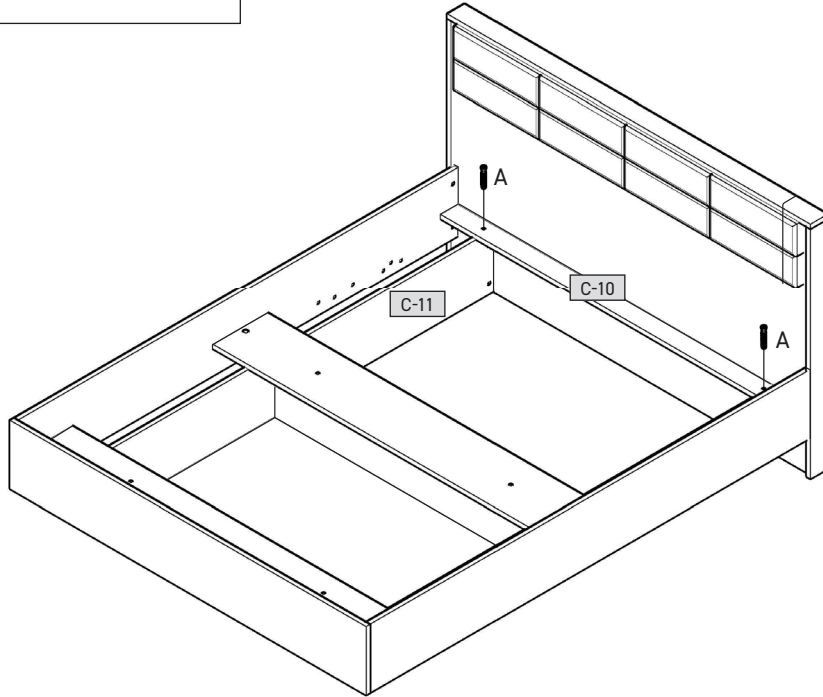
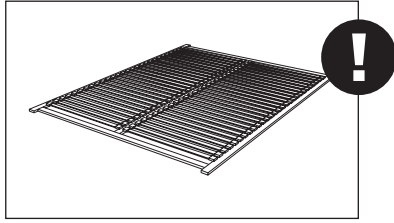
17



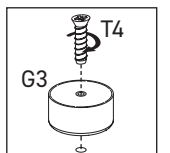
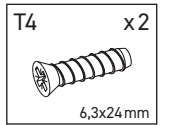
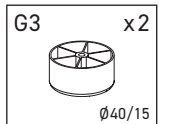
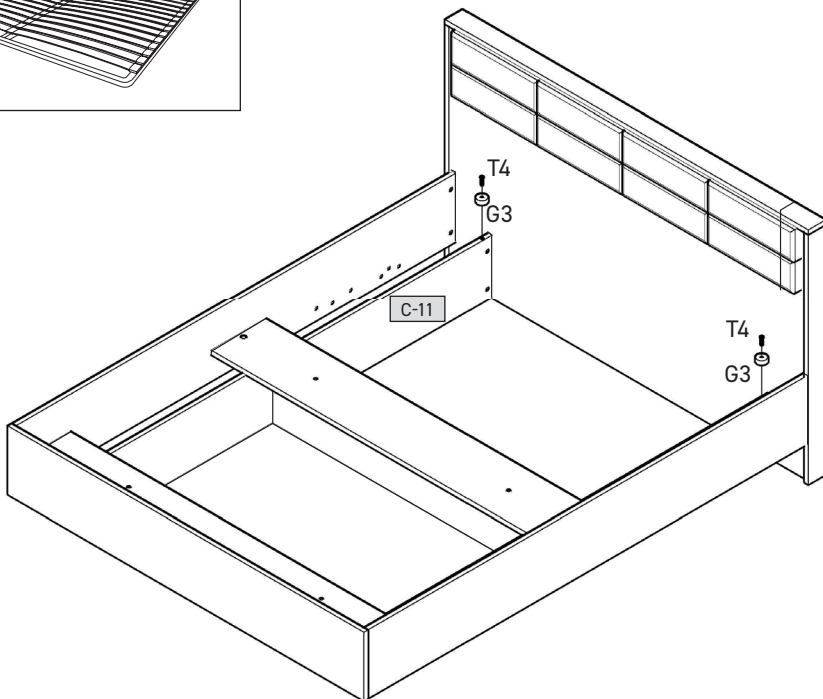
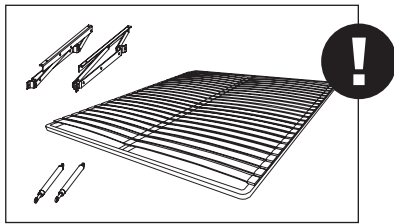
18



19

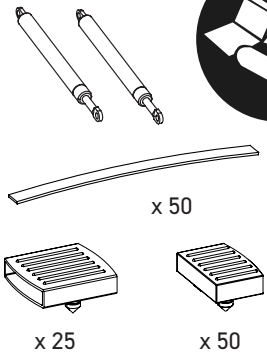
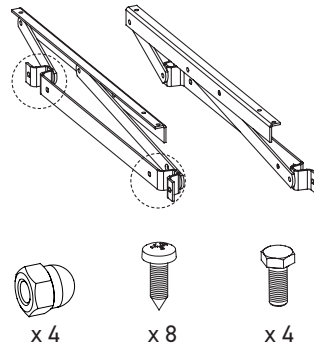
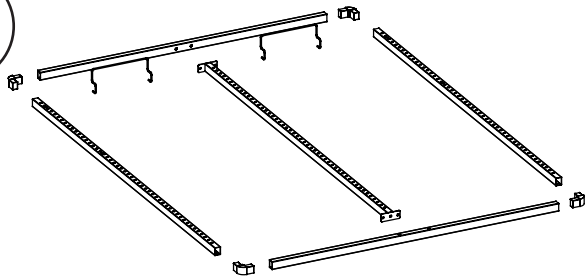


19

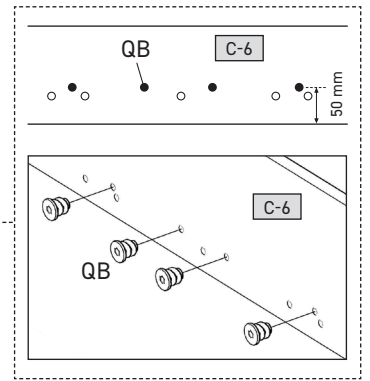
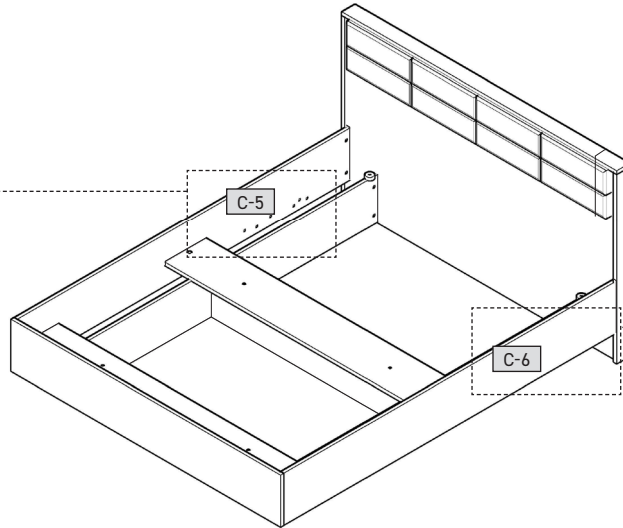
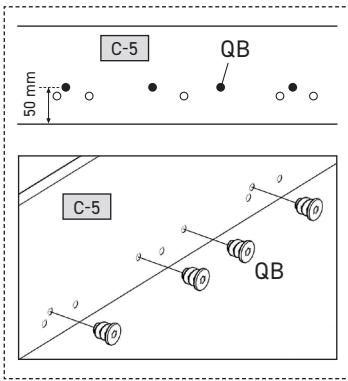
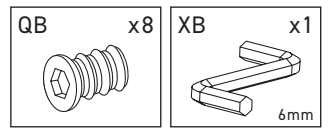
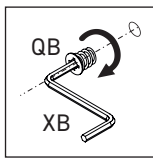


20

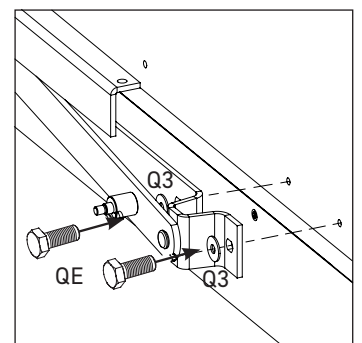
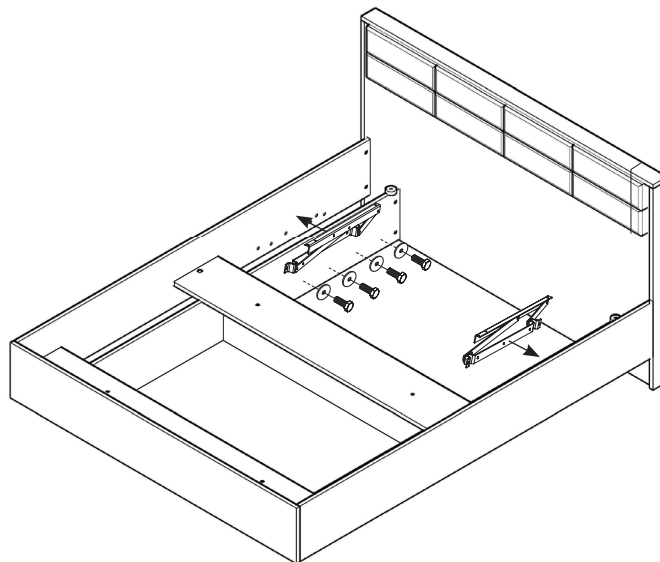
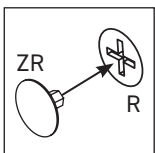
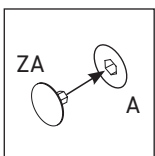
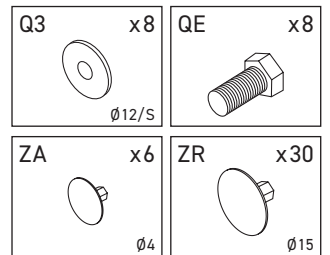
A



21

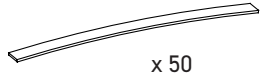
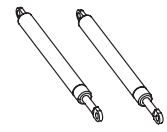
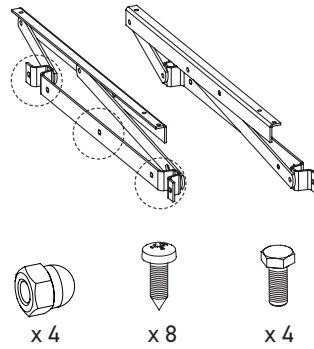
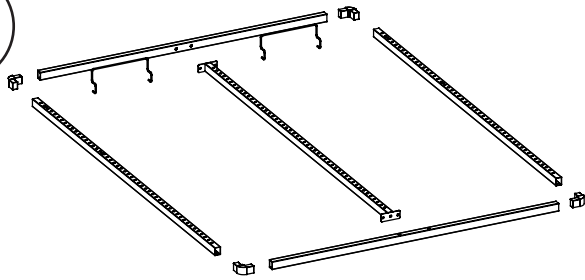


22



20

C



x 50



x 25



x 50



x 4

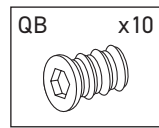
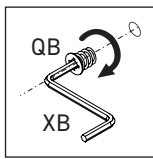


x 8

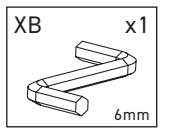


x 4

21

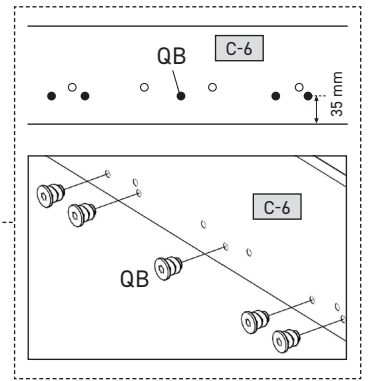
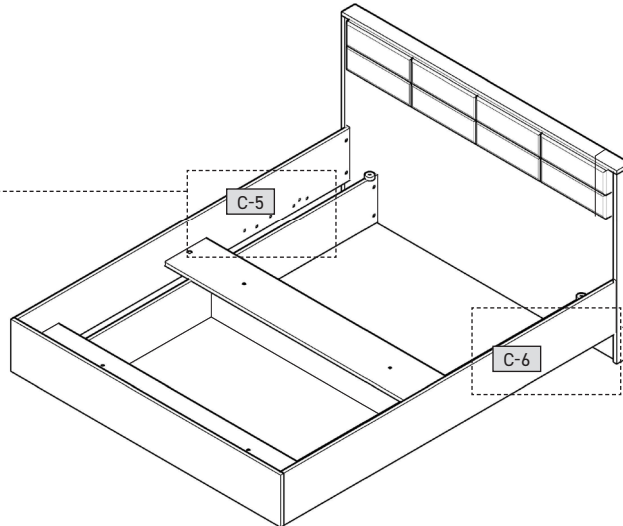
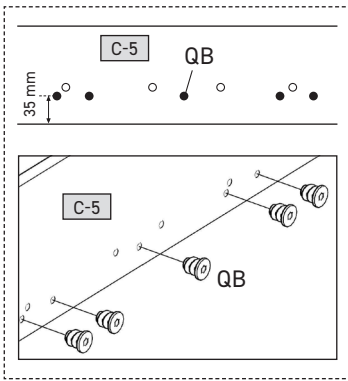


x 10

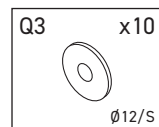


x 1

6mm

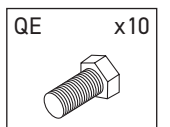


22

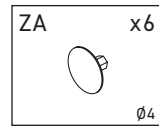


x 10

Ø12/S

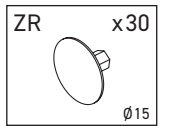


x 10



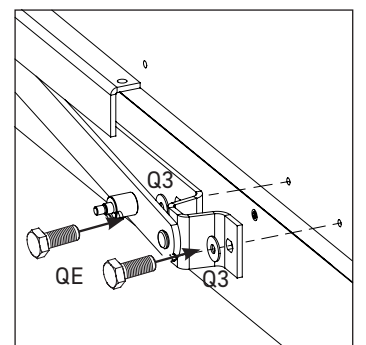
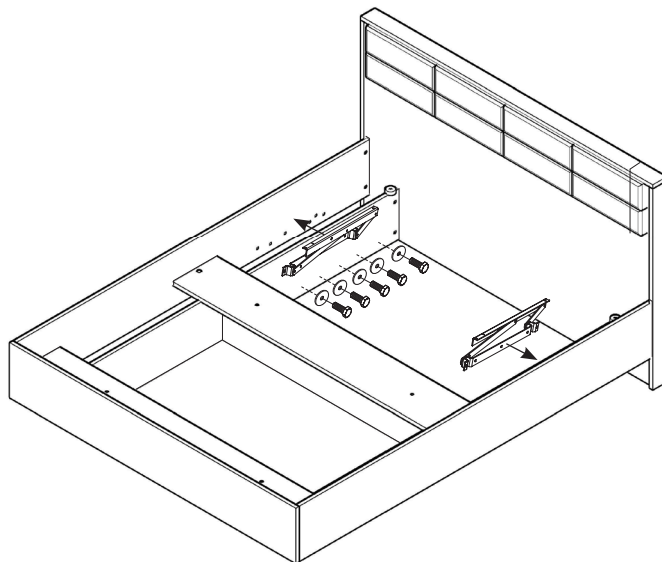
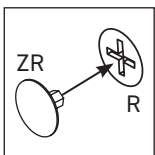
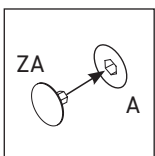
x 6

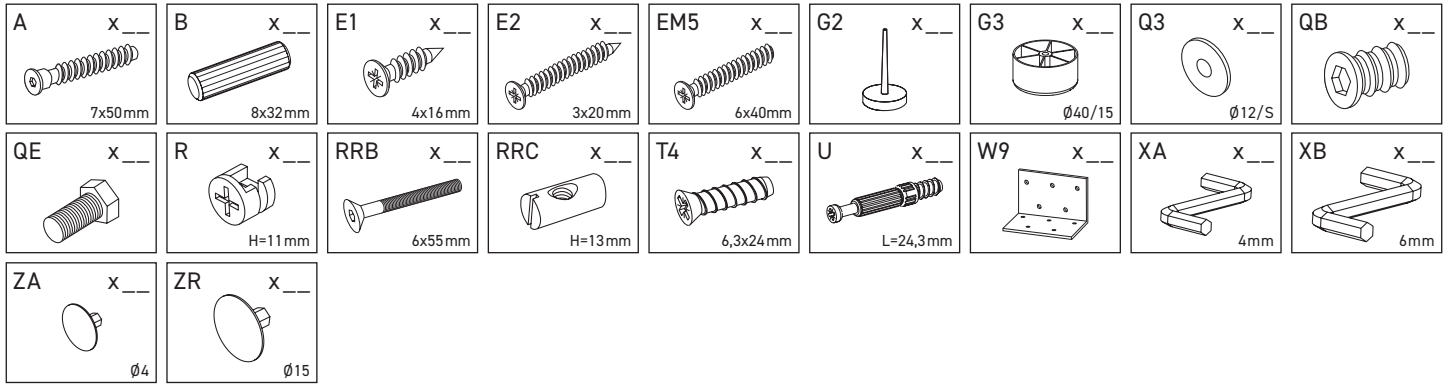
Ø4



x 30

Ø15





| | | | | | |
|------|------|------|----|-----|-----|
| C-1 | 1632 | 1000 | 16 | x 1 | 2/2 |
| C-2 | 1000 | 44 | 16 | x 2 | 1/2 |
| C-3 | 1000 | 76 | 16 | x 2 | 2/2 |
| C-4 | 1666 | 78 | 16 | x 1 | 1/2 |
| C-5 | 2022 | 270 | 16 | x 1 | 1/2 |
| C-6 | 2022 | 270 | 16 | x 1 | 1/2 |
| C-7 | 1633 | 271 | 16 | x 1 | 2/2 |
| C-8 | 1600 | 250 | 16 | x 1 | 2/2 |
| C-9 | 1600 | 250 | 16 | x 1 | 2/2 |
| C-10 | 1600 | 80 | 16 | x 1 | 2/2 |
| C-11 | 1850 | 250 | 16 | x 1 | 1/2 |
| C-12 | 1850 | 250 | 16 | x 1 | 1/2 |
| C-13 | 1301 | 250 | 16 | x 1 | 2/2 |
| C-14 | 1268 | 250 | 16 | x 1 | 2/2 |
| C-15 | 1296 | 1002 | 3 | x 1 | 2/2 |
| C-16 | 1568 | 125 | 55 | x 2 | 1/2 |

