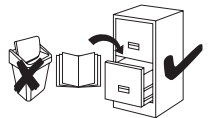
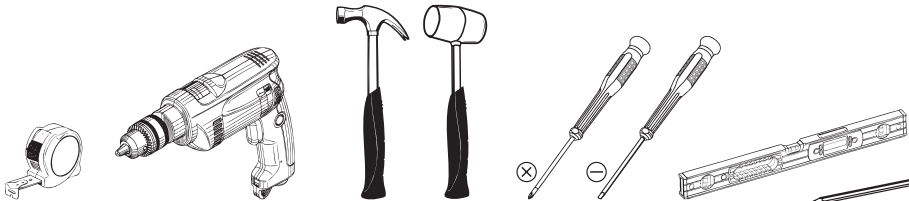
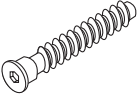

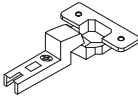
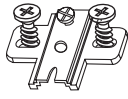
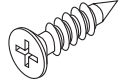

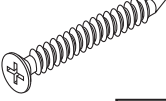

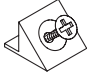
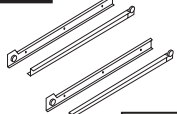

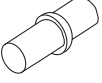
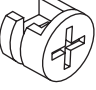
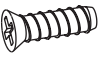
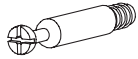
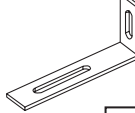
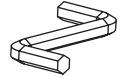


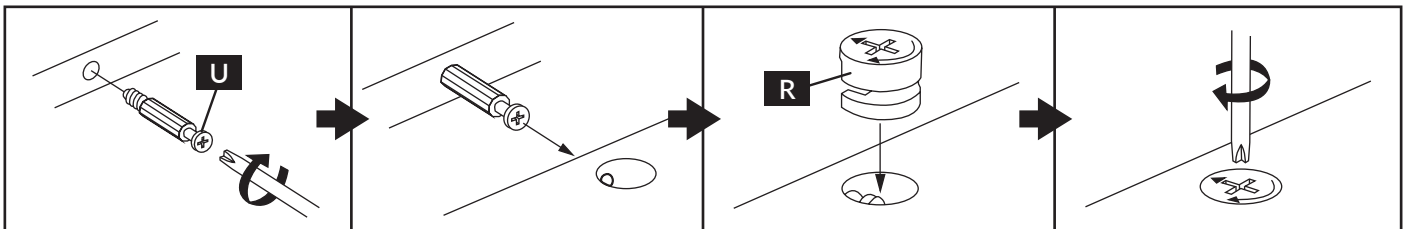
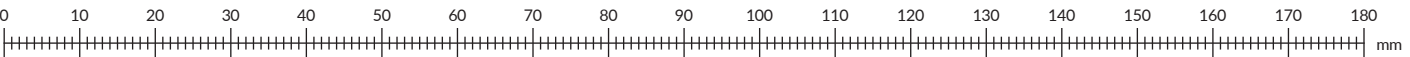
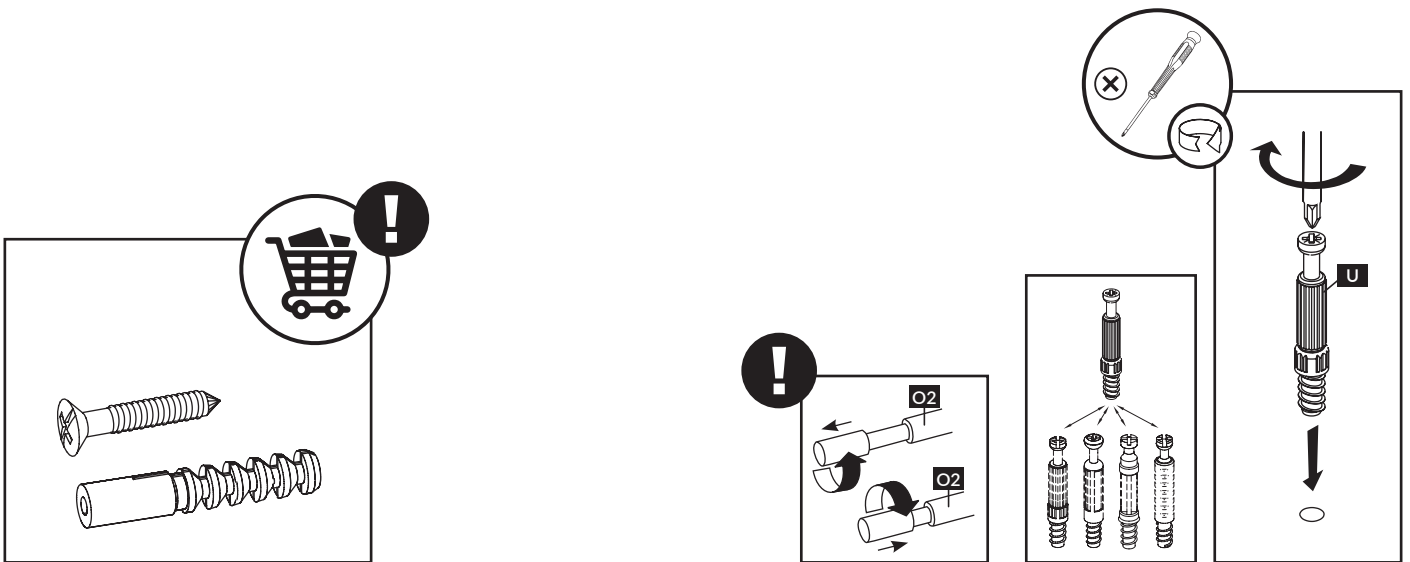


 200

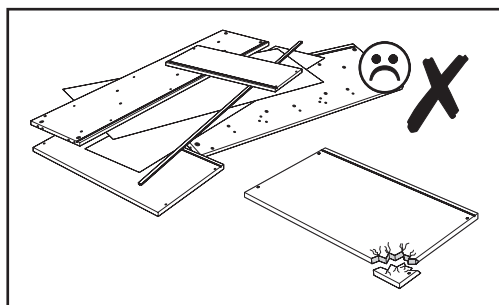


<b>A</b>  7 x 50 mm x 5	<b>B</b>  8 x 32 mm x 56	<b>C2</b>  (Z) x 4	<b>DT</b>  x 4	<b>E</b>  3,5 x 13 mm x 17	<b>E2</b>  3 x 20 mm x 64
<b>E8</b>  4 x 25 mm x 4	<b>G2</b>  x 6	<b>H1</b>  x 7	<b>K</b>  L=350 mm x 4	<b>O2</b>  x 4	<b>P</b>  x 8
<b>R</b>  H=11 mm x 12	<b>T3</b>  5 x 9 mm x 16	<b>U</b>  L=24,3 mm x 12	<b>W1</b>  x 1	<b>XA</b>  x 1	<b>XG</b>  GLUE x 2
<b>ZR</b>  Ø 15 x 8					

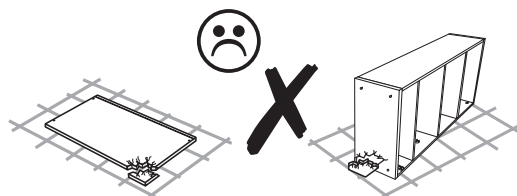
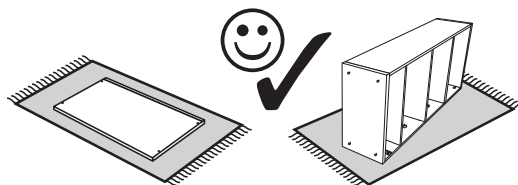
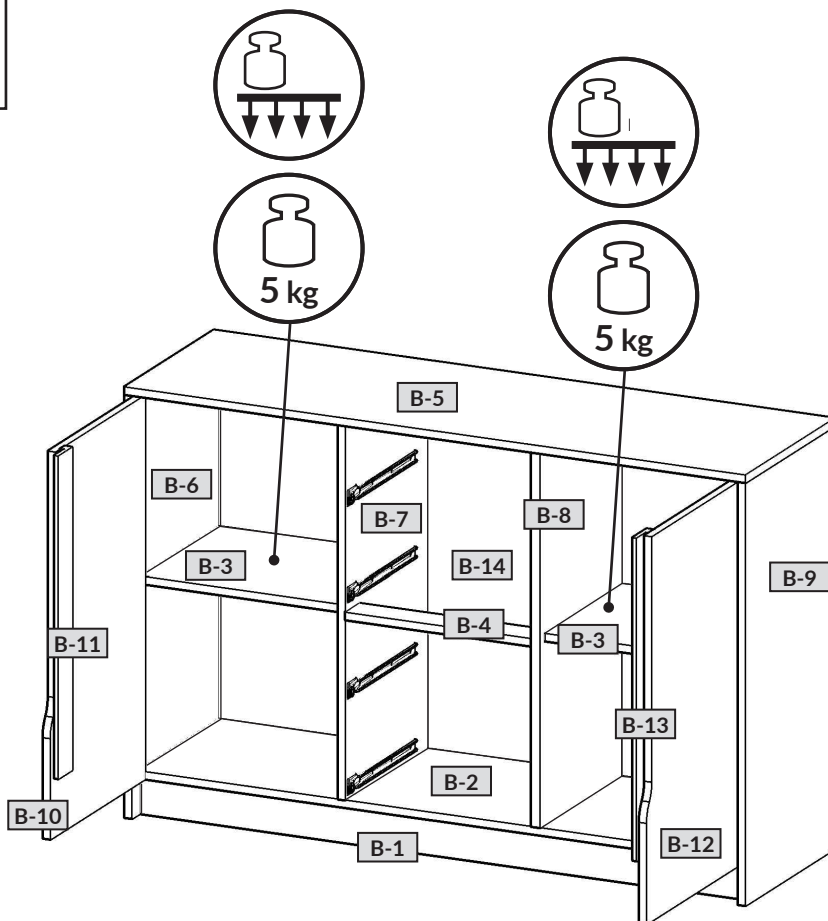
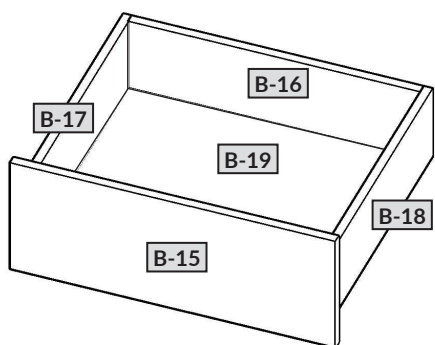


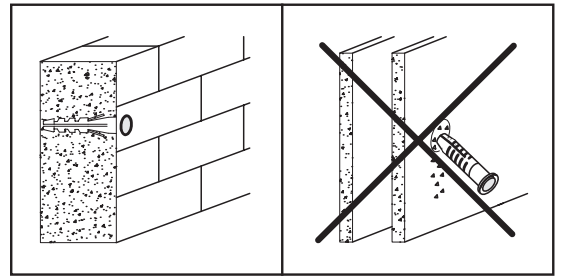
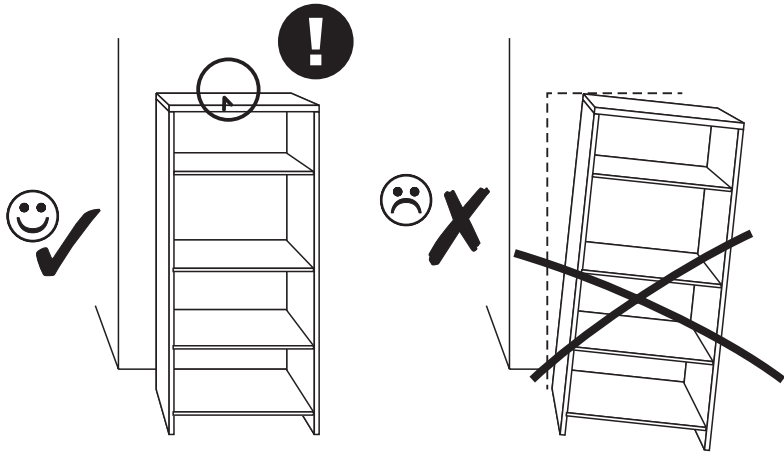
1	B-1	1349 / 80 / 16 mm	x 1
2	B-2	1349 / 385 / 16 mm	x 1
3	B-3	450 / 369 / 16 mm	x 2
4	B-4	417 / 65 / 16 mm	x 1
5	B-5	1381 / 420 / 22 mm	x 1
6	B-6	892 / 420 / 16 mm	x 1
7	B-7	796 / 385 / 16 mm	x 1
8	B-8	796 / 385 / 16 mm	x 1
9	B-9	892 / 420 / 16 mm	x 1
10	B-10	452 / 809 / 16 mm	x 1

11	B-11	610 / 65 / 17 mm	x 1
12	B-12	452 / 809 / 16 mm	x 1
13	B-13	610 / 65 / 17 mm	x 1
14	B-14	1362 / 818 / 3 mm	x 1
15	B-15	436 / 200 / 16 mm	x 4
16	B-16	360 / 120 / 16 mm	x 4
17	B-17	350 / 120 / 16 mm	x 4
18	B-18	350 / 120 / 16 mm	x 4
19	B-19	390 / 356 / 3 mm	x 4

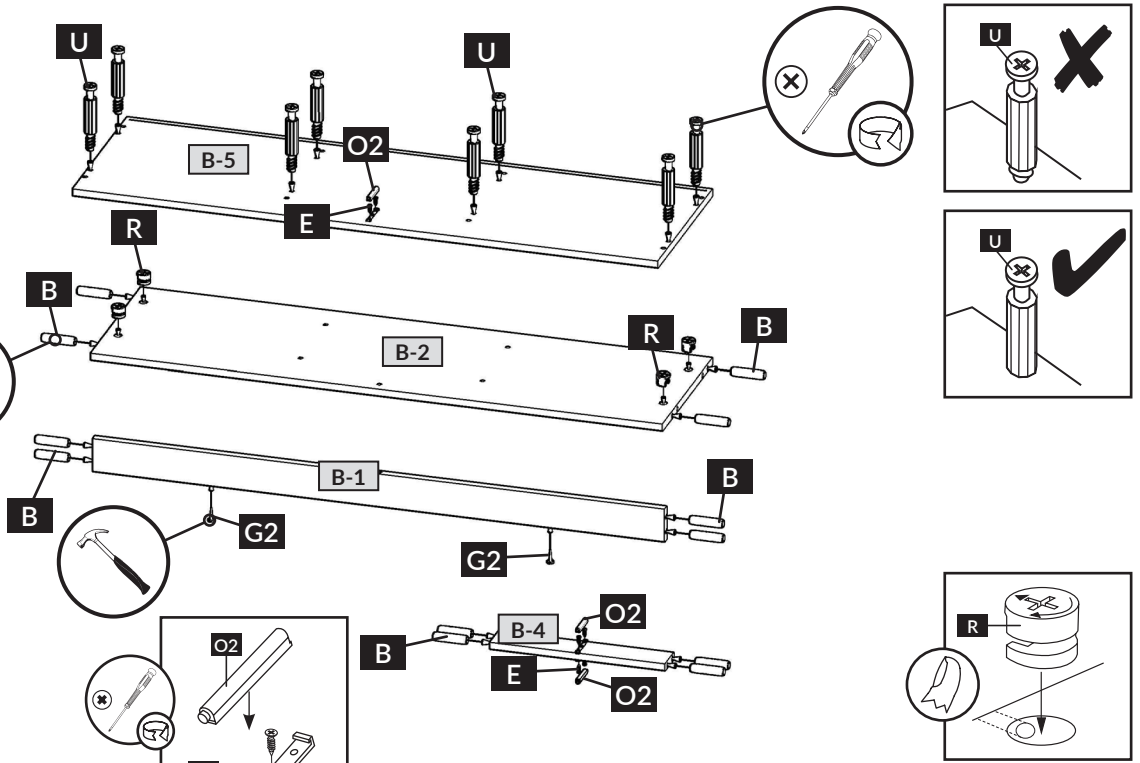
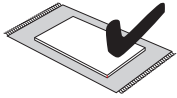


4x  
↓

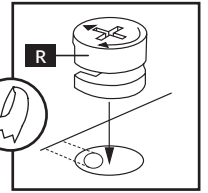
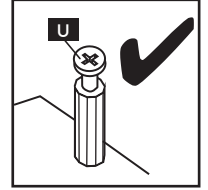
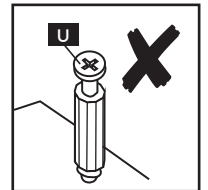




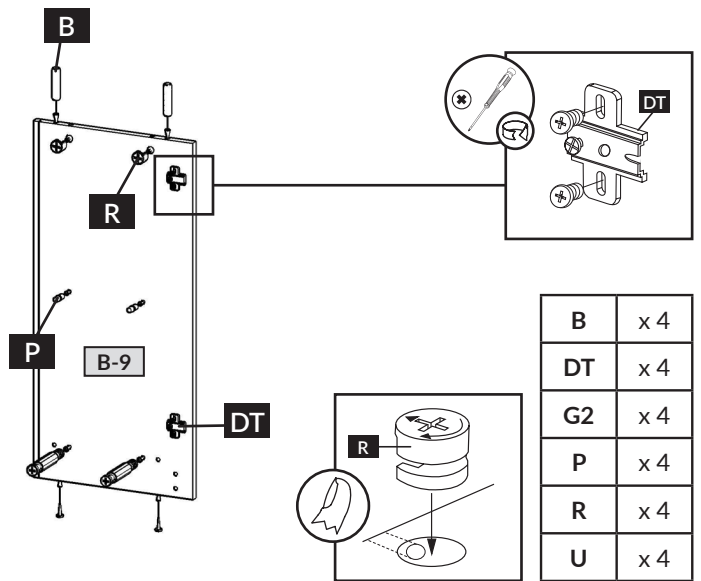
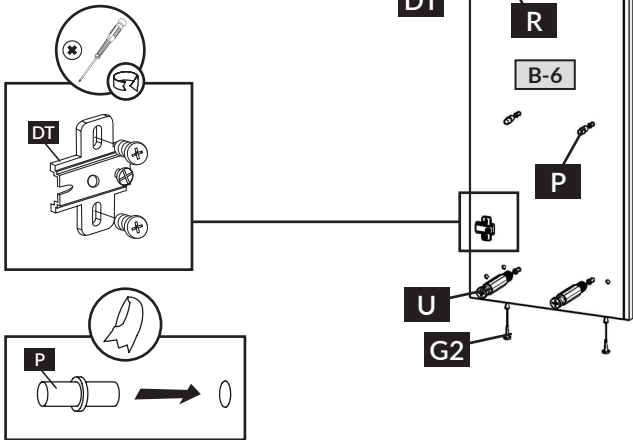
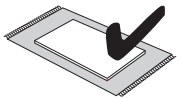
# B / 1



B	x 12
E	x 6
G2	x 2
O2	x 3
R	x 4
U	x 8

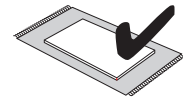
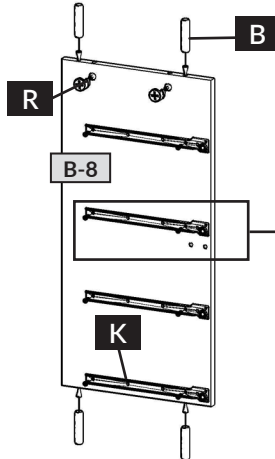
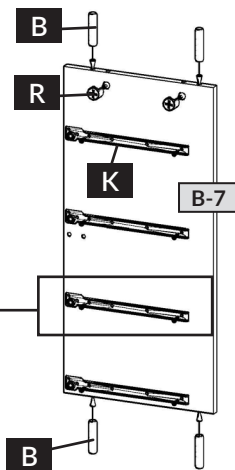
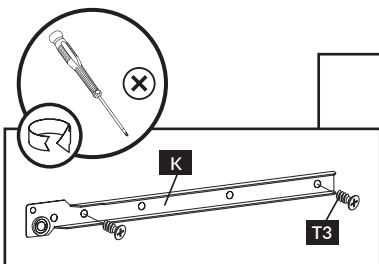
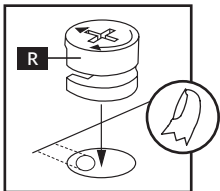


# B / 2

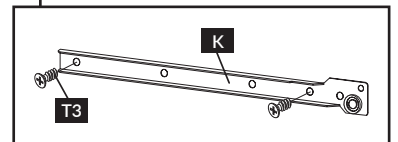


B	x 4
DT	x 4
G2	x 4
P	x 4
R	x 4
U	x 4

# B / 3

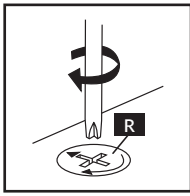
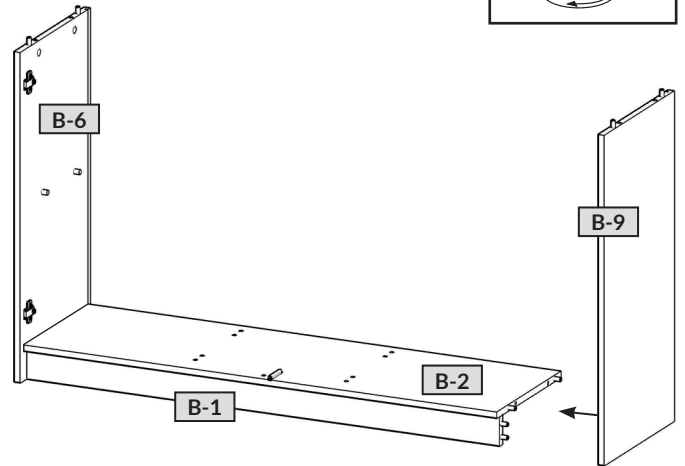
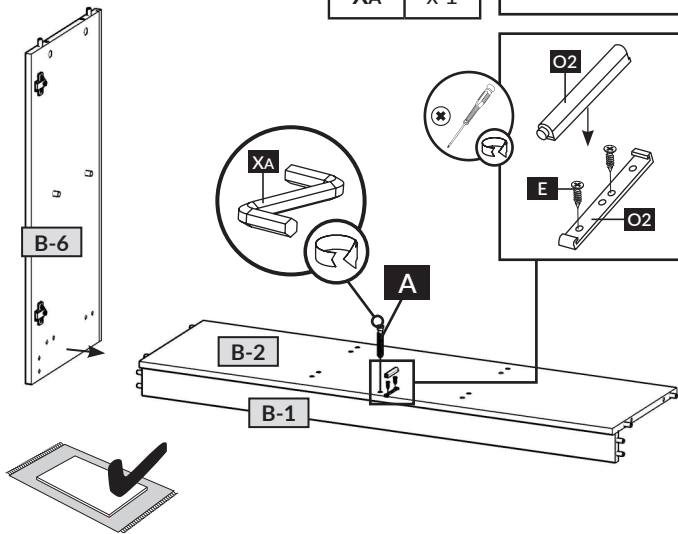
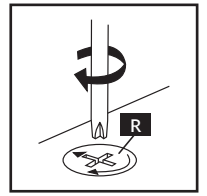
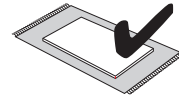


B	x 8
K	x 4
R	x 4
T3	x 16

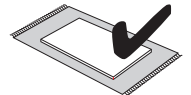
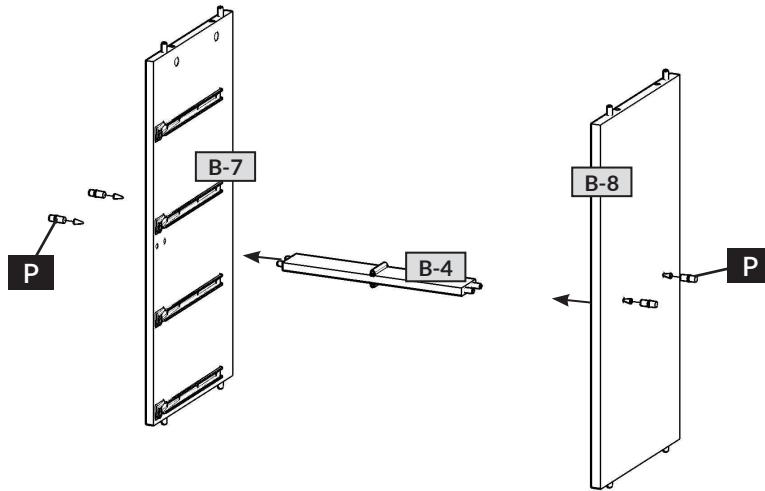
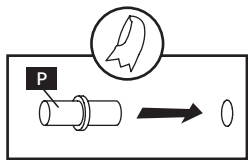


**B / 4**

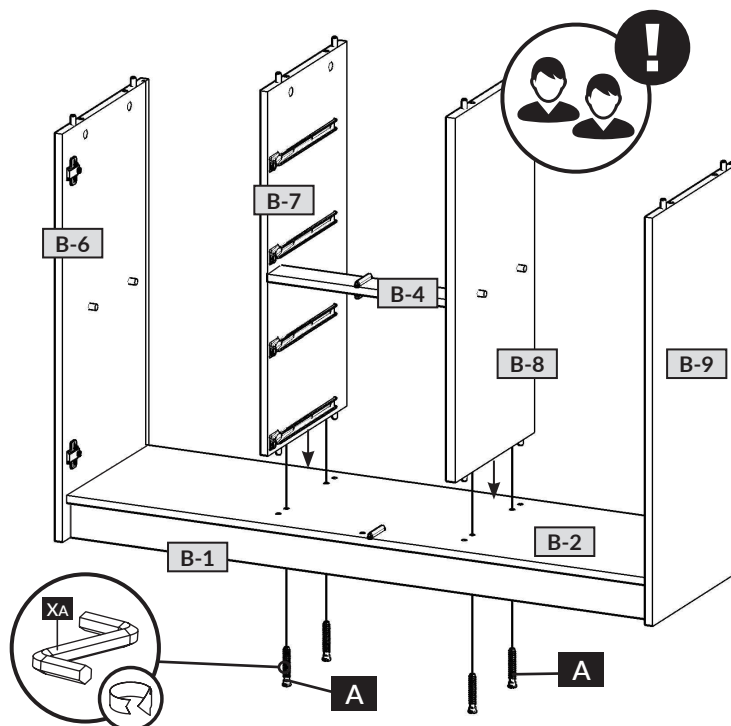
A	x1
E	x2
O2	x1
XA	x1

**B / 5****B / 6**

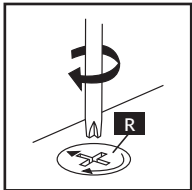
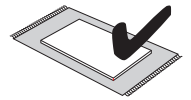
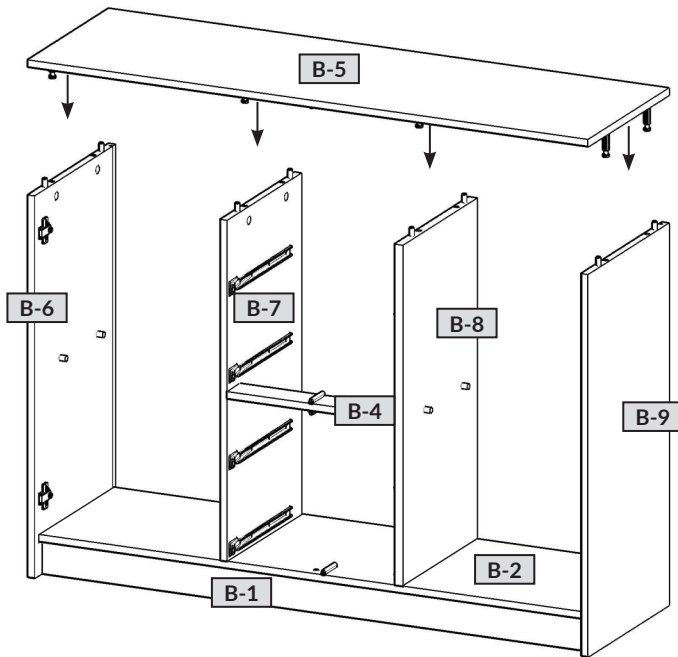
P	x4
---	----

**B / 7**

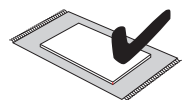
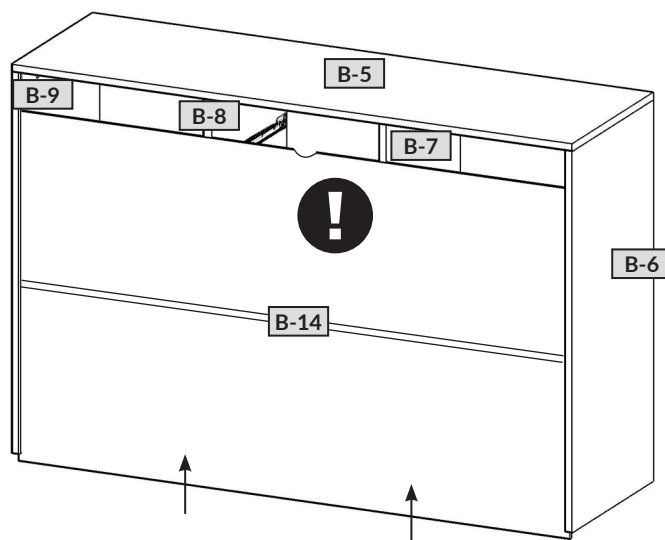
A	x4
XA	x1



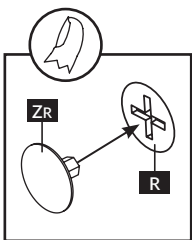
B / 8



B / 9

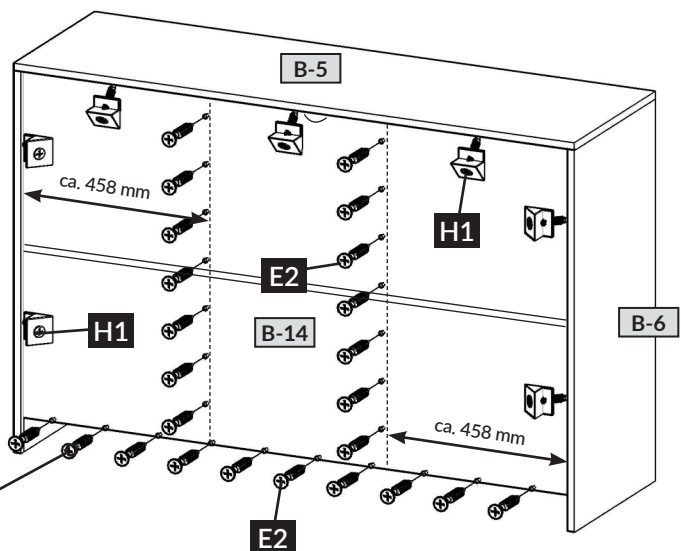
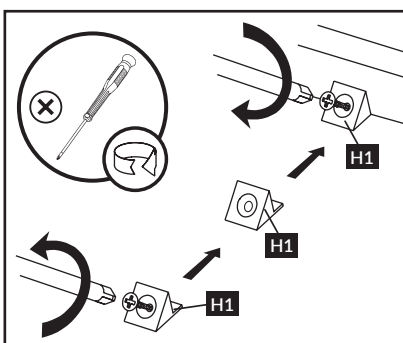
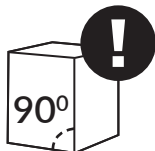
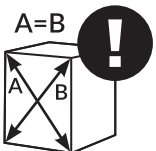
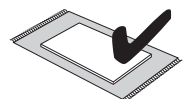


ZR x 8

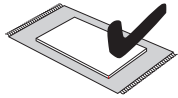


B / 10

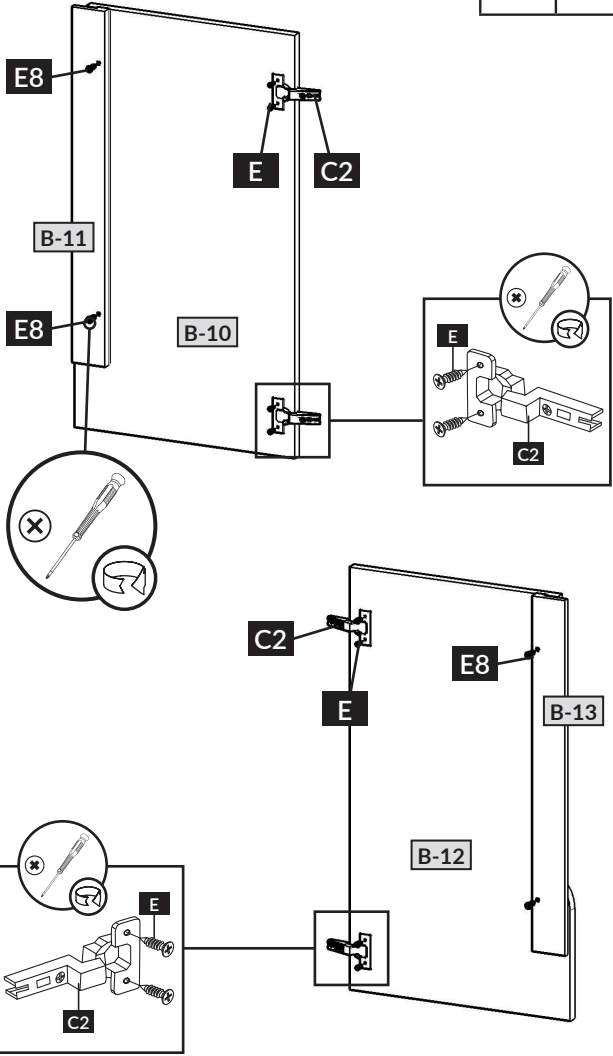
E2	x 24
H1	x 7



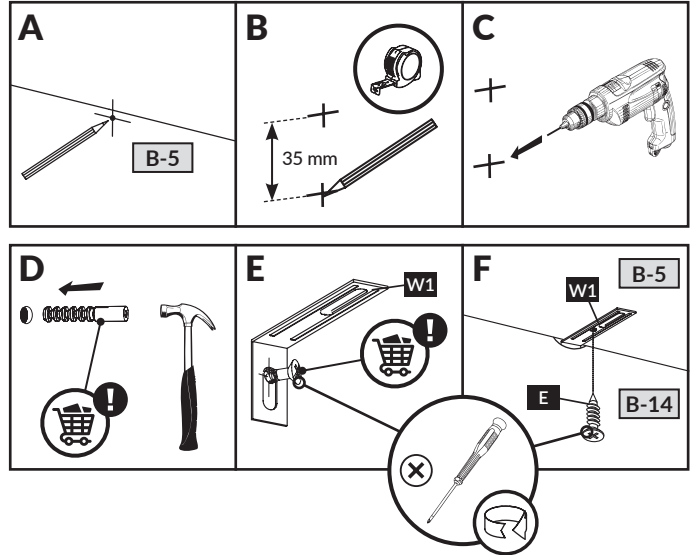
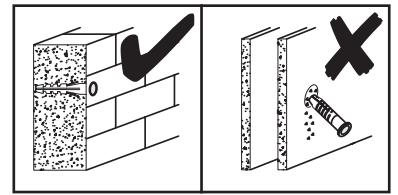
**B / 11**



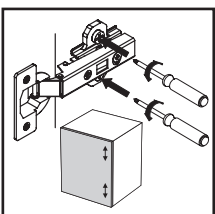
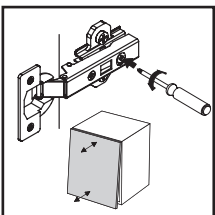
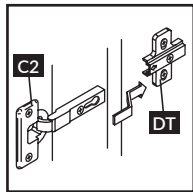
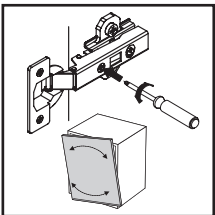
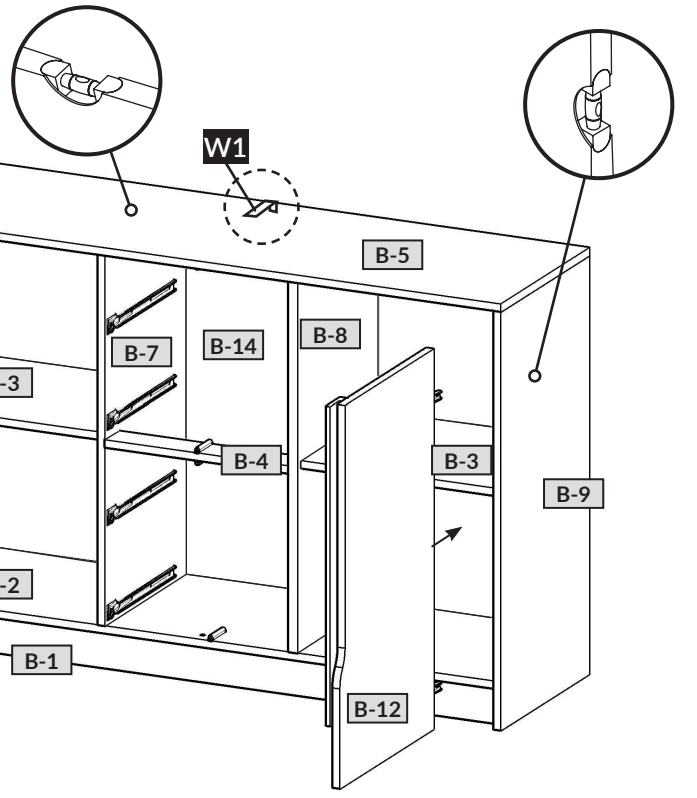
C2	x 4
E	x 8
E8	x 4



**B / 12**



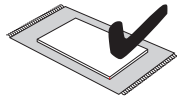
E	x 1
W1	x 1



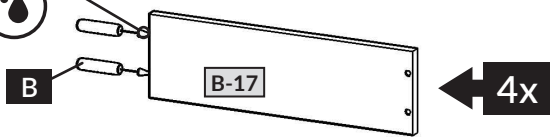
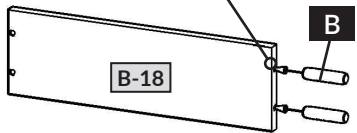


**B / 13**

**B** x 32

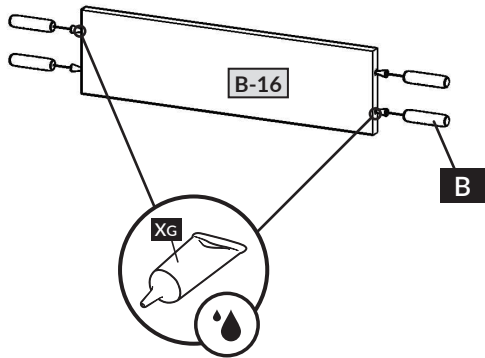


**4x**



**4x**

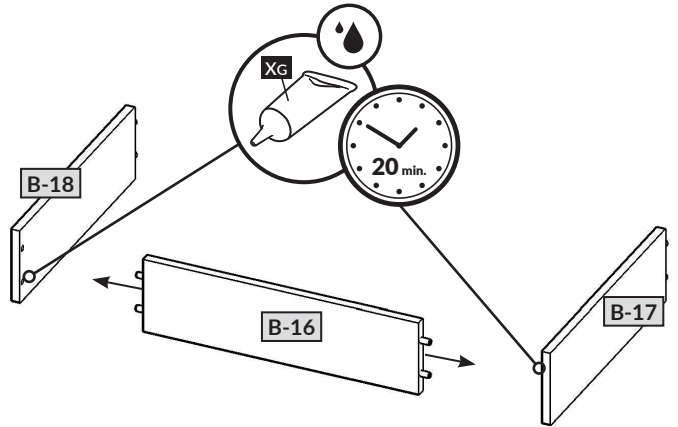
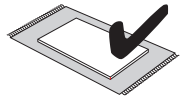
**4x**



**B / 14**

**XG** x 1

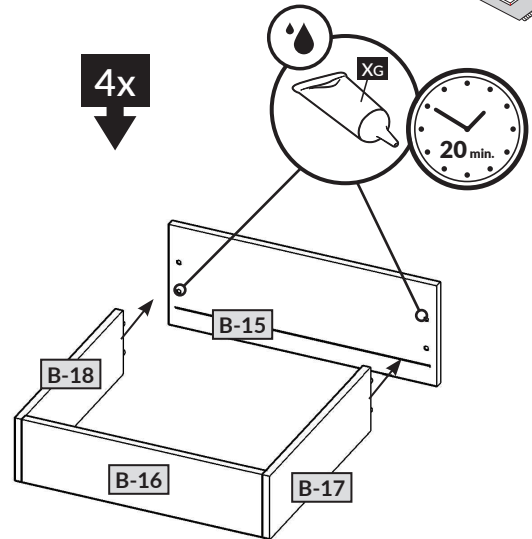
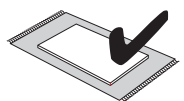
**4x**



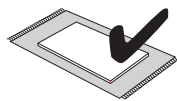
**B / 15**

**XG** x 1

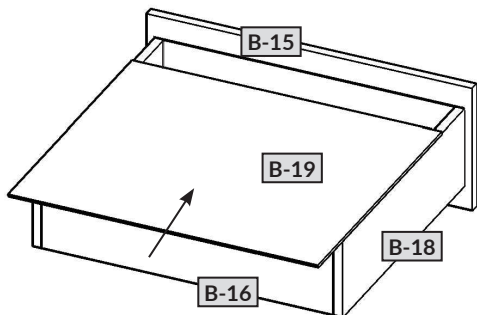
**4x**



**B / 16**

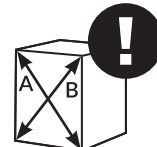
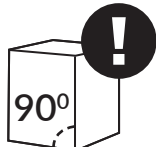
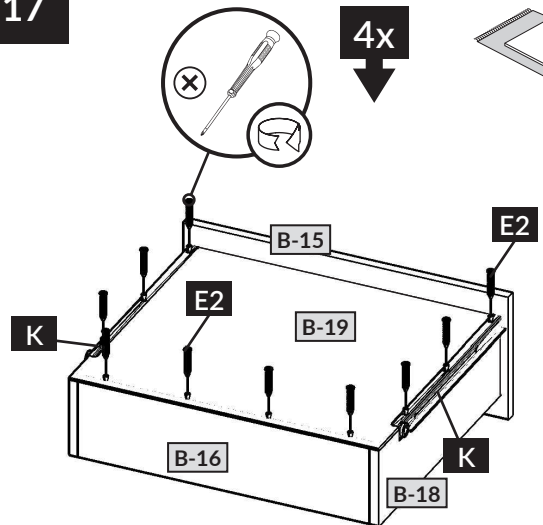
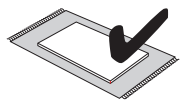


**4x**



**B / 17**

**4x**



<b>E2</b>	x 40
<b>K</b>	x 4



