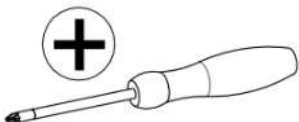
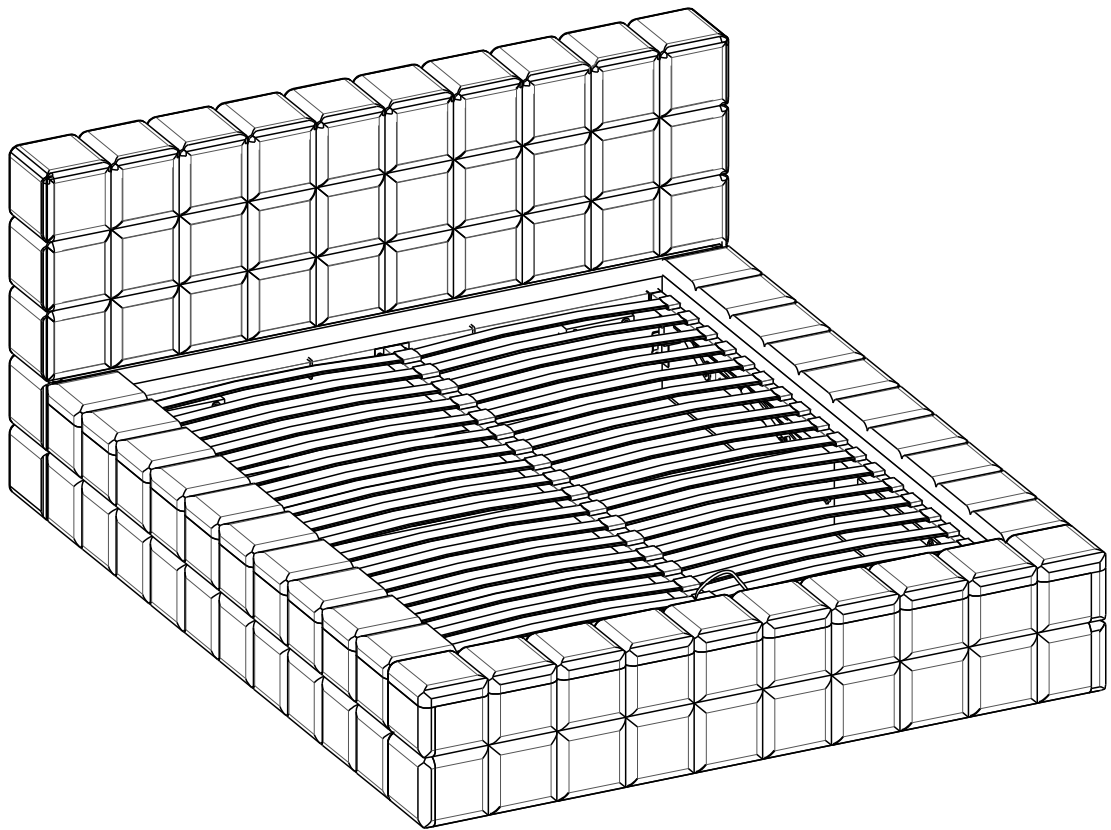


# 140 / 160 / 180

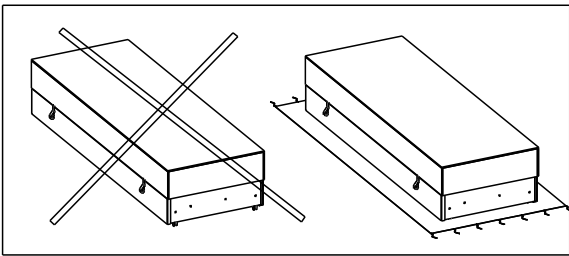


13"

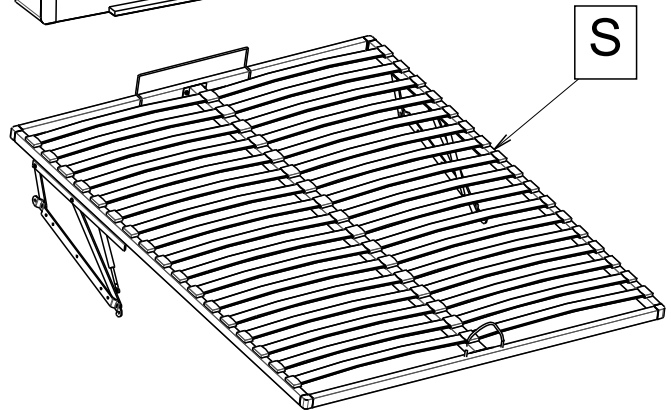
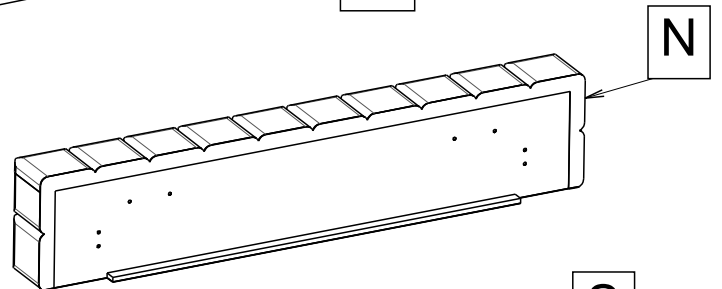
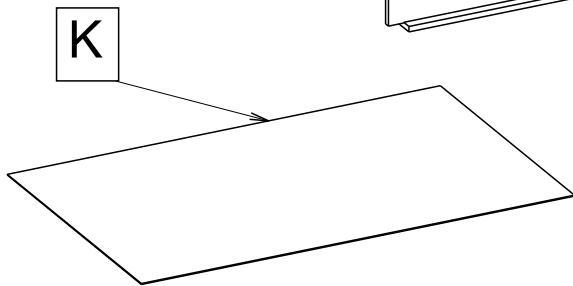
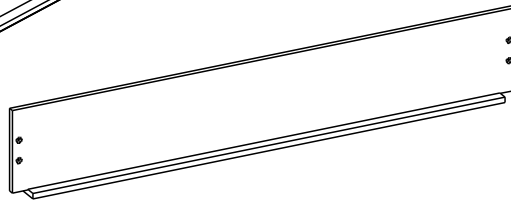
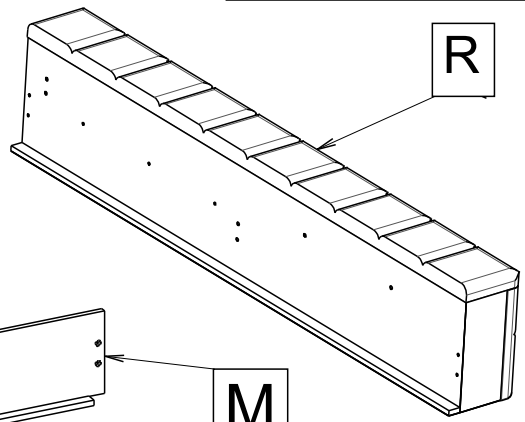
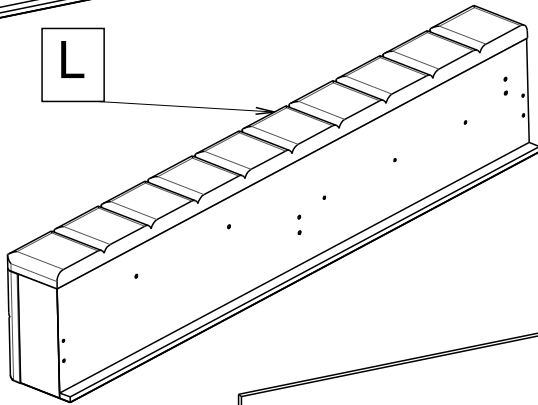
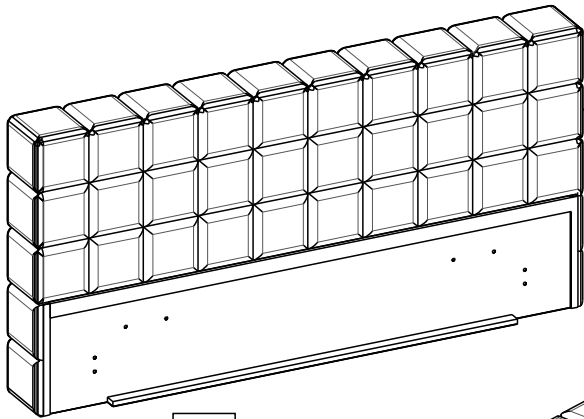


70min


1/11

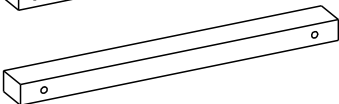


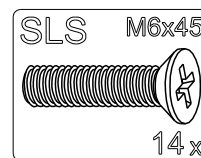
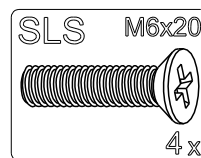
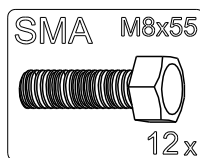
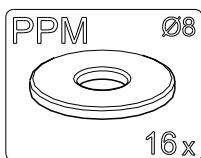
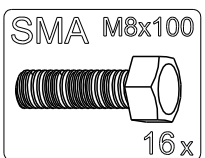
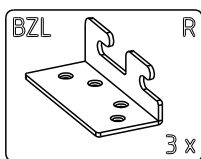
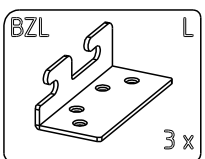
Z	1x
M	1x
N	1x
R	1x
L	1x
S	1x
K	2x



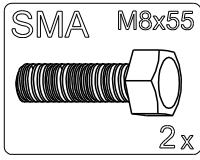
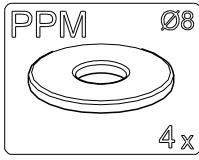
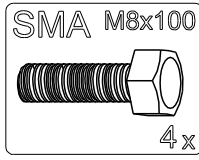
LI-1  x2

LI-2  x4

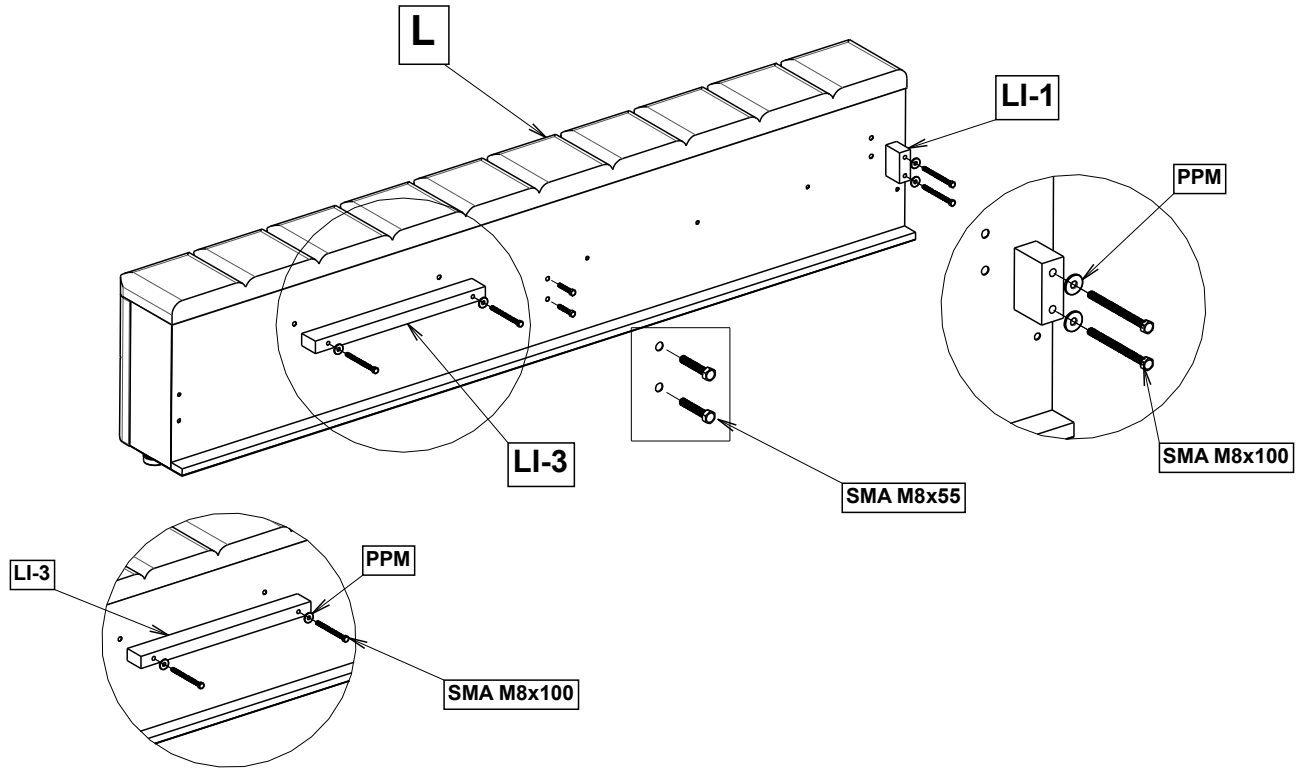
LI-3  x2



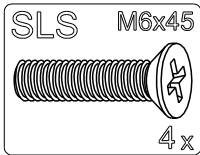
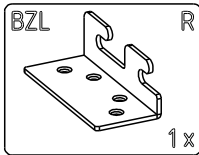
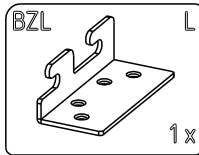
# 1



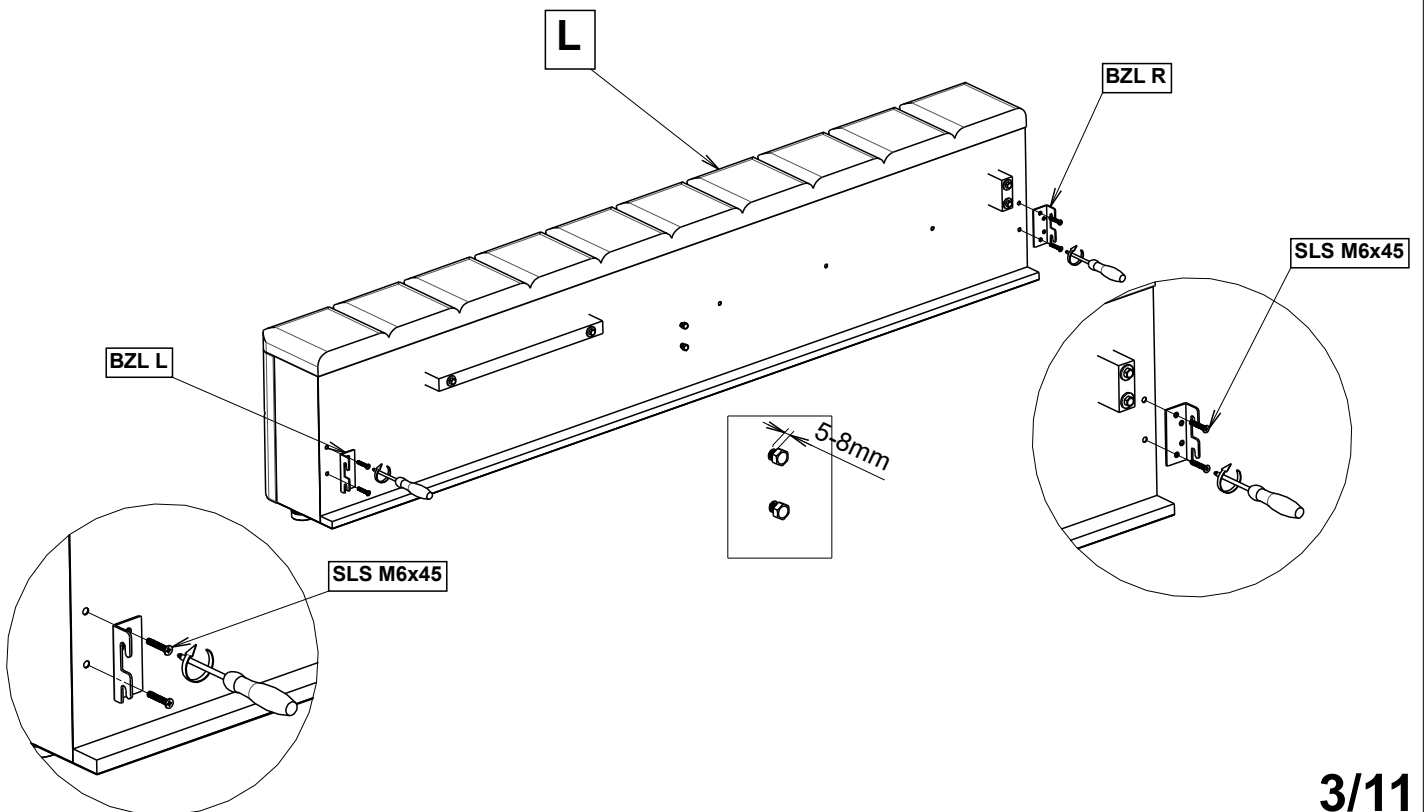
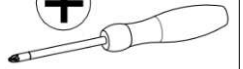
13"



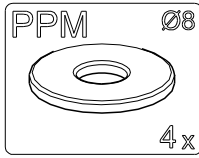
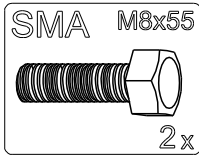
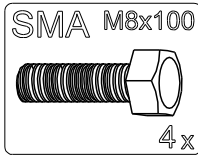
# 2



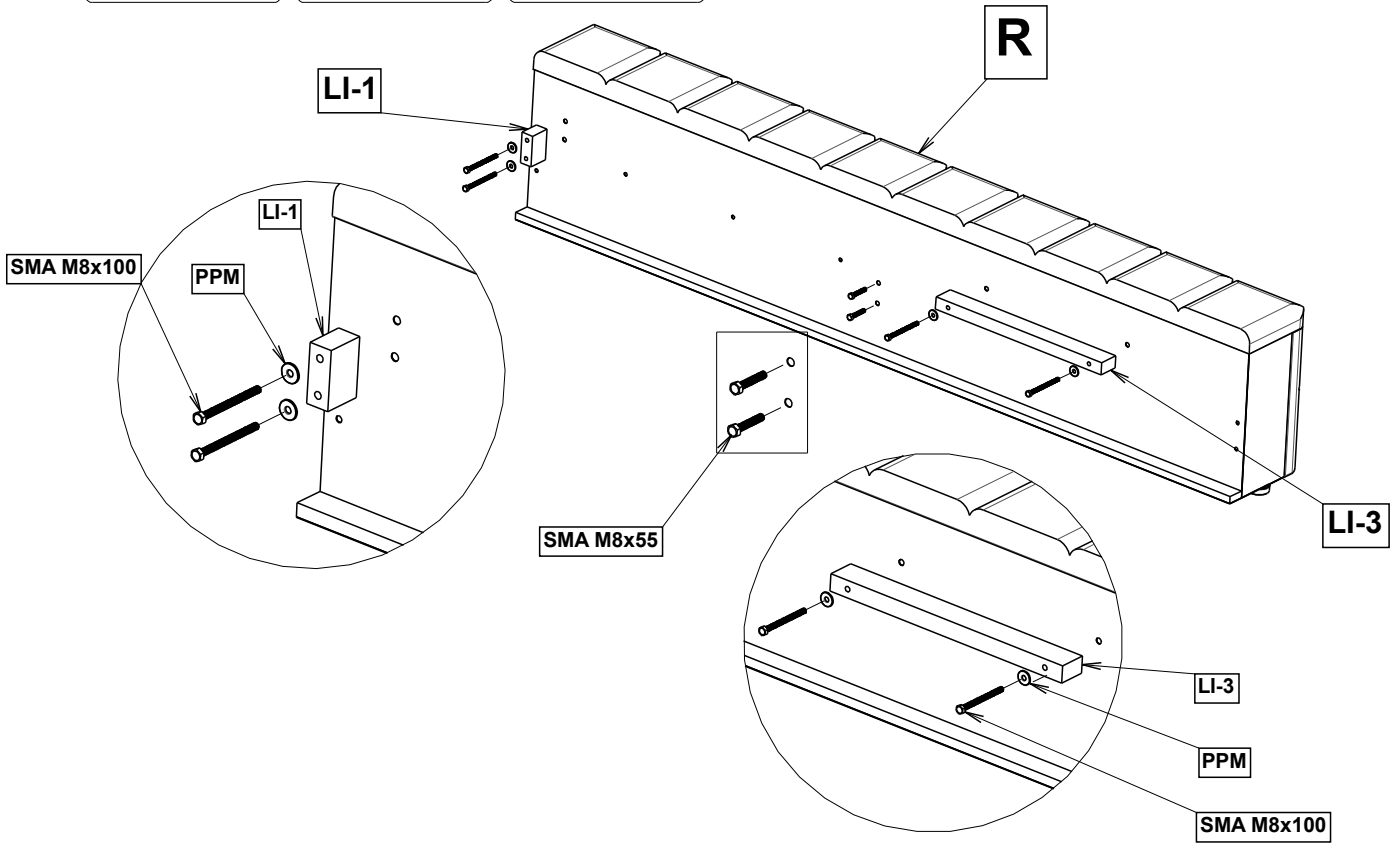
+



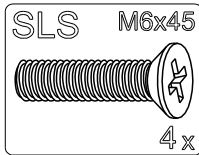
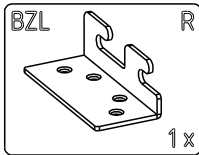
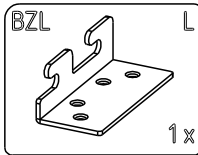
# 3



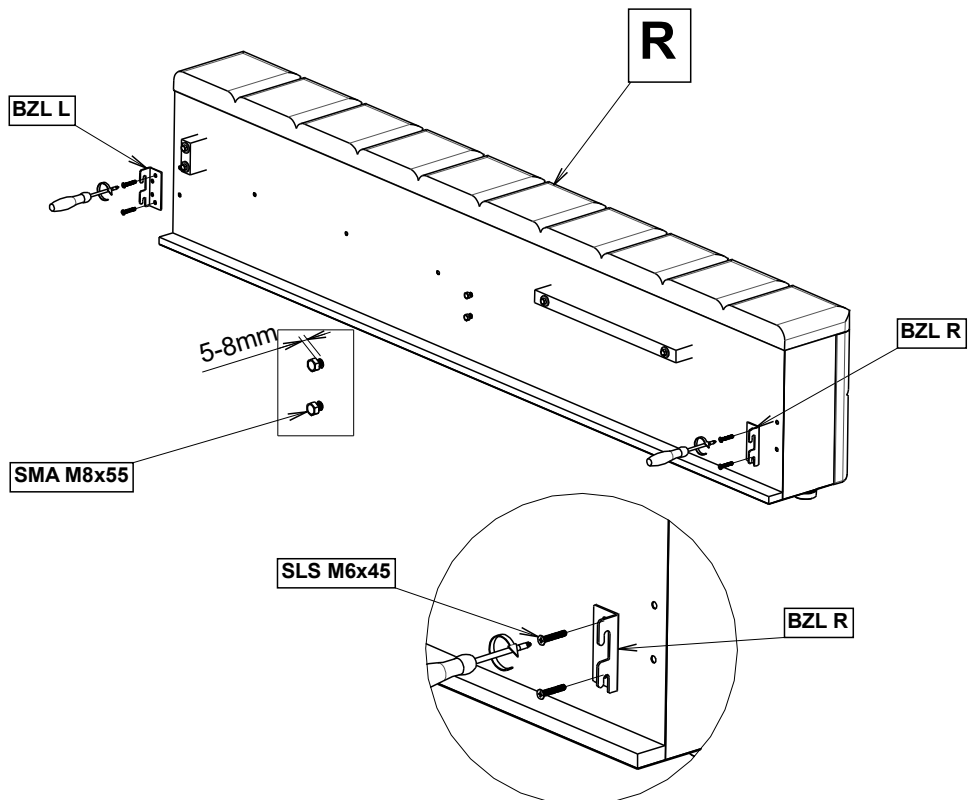
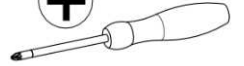
13"



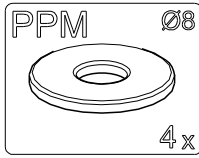
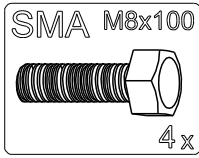
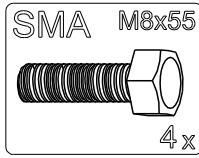
# 4



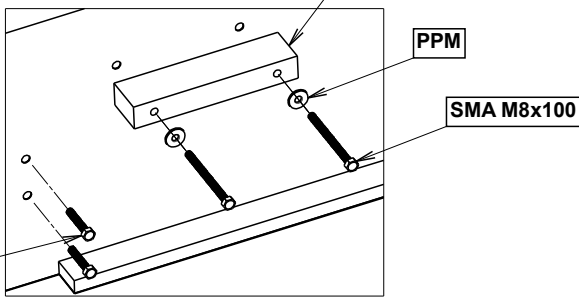
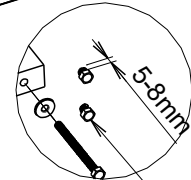
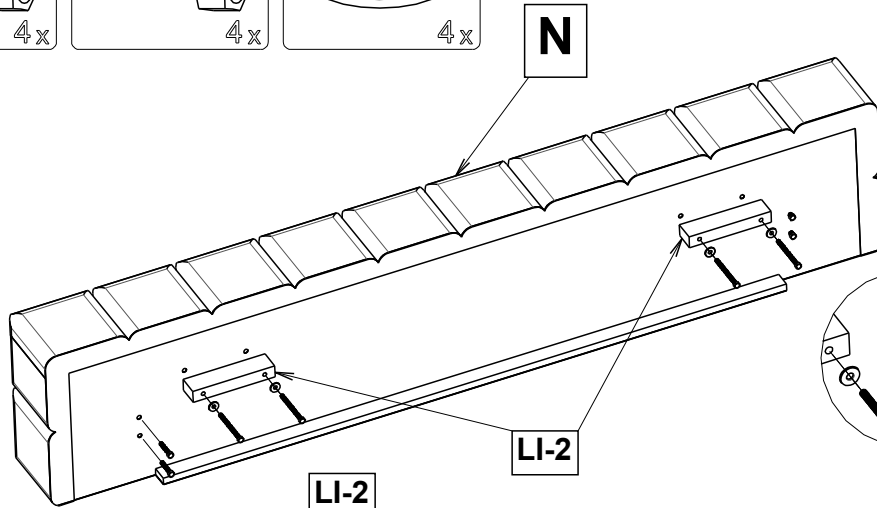
+



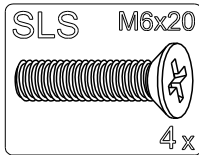
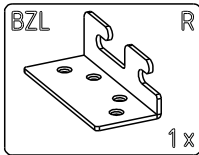
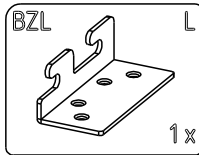
# 5



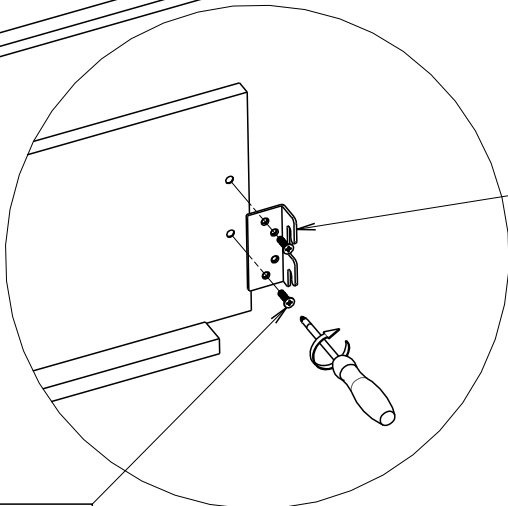
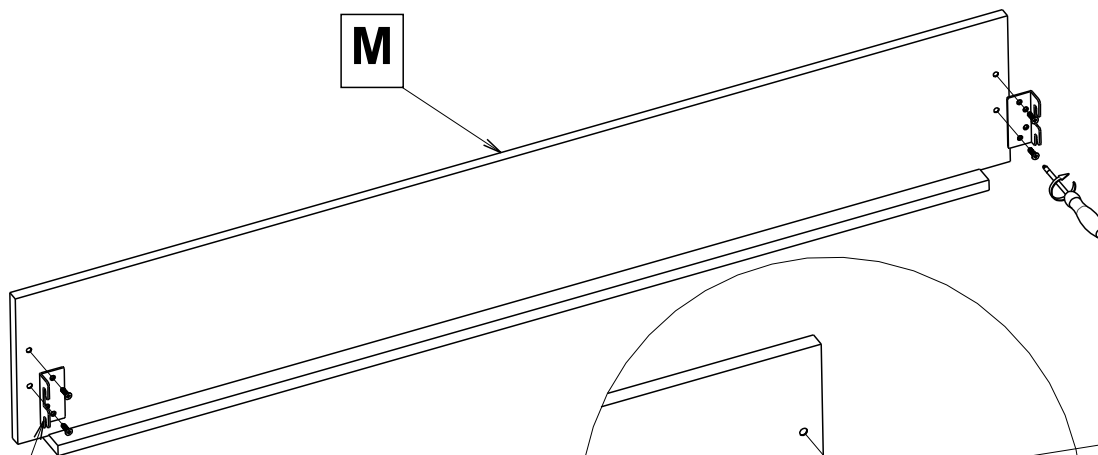
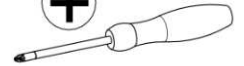
13"



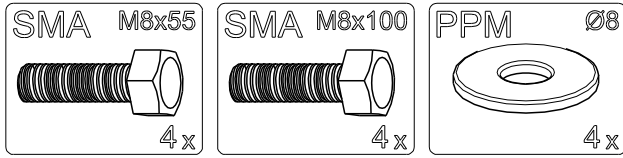
# 6



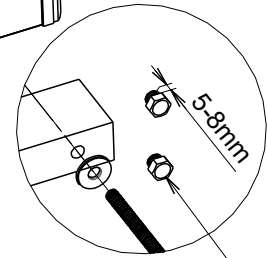
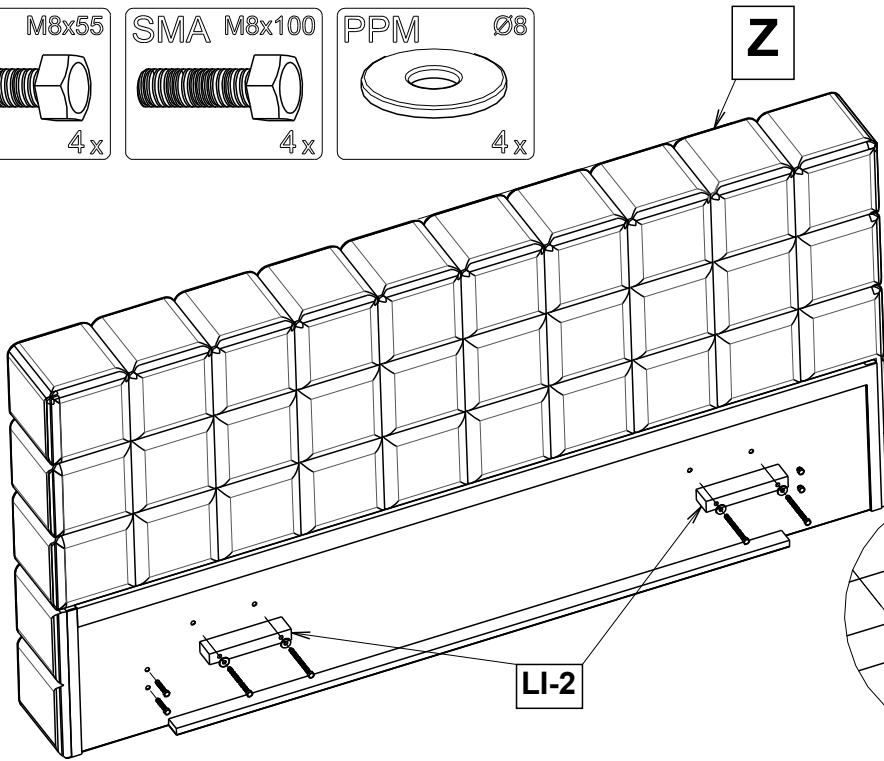
+



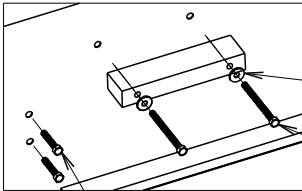
# 7



13"



SMA M8x55

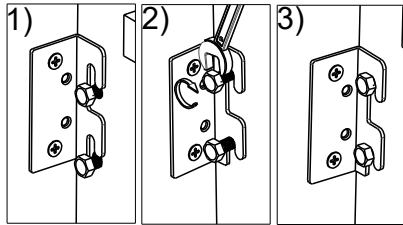


PPM

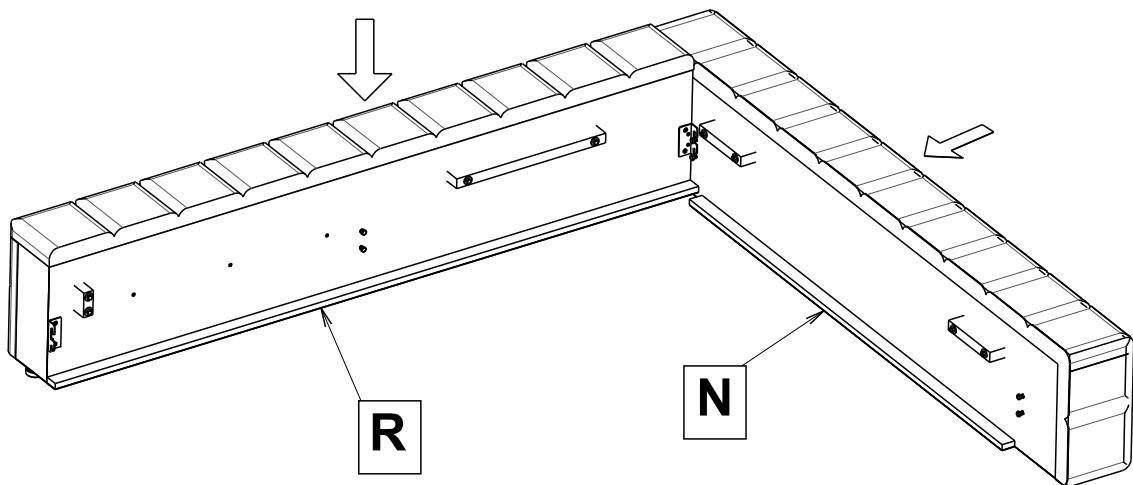
SMA M8x100

SMA M8x55

# 8



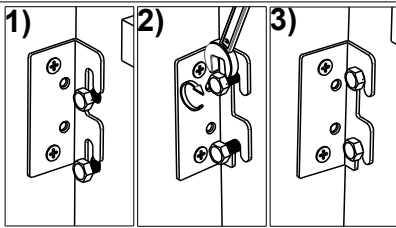
13"



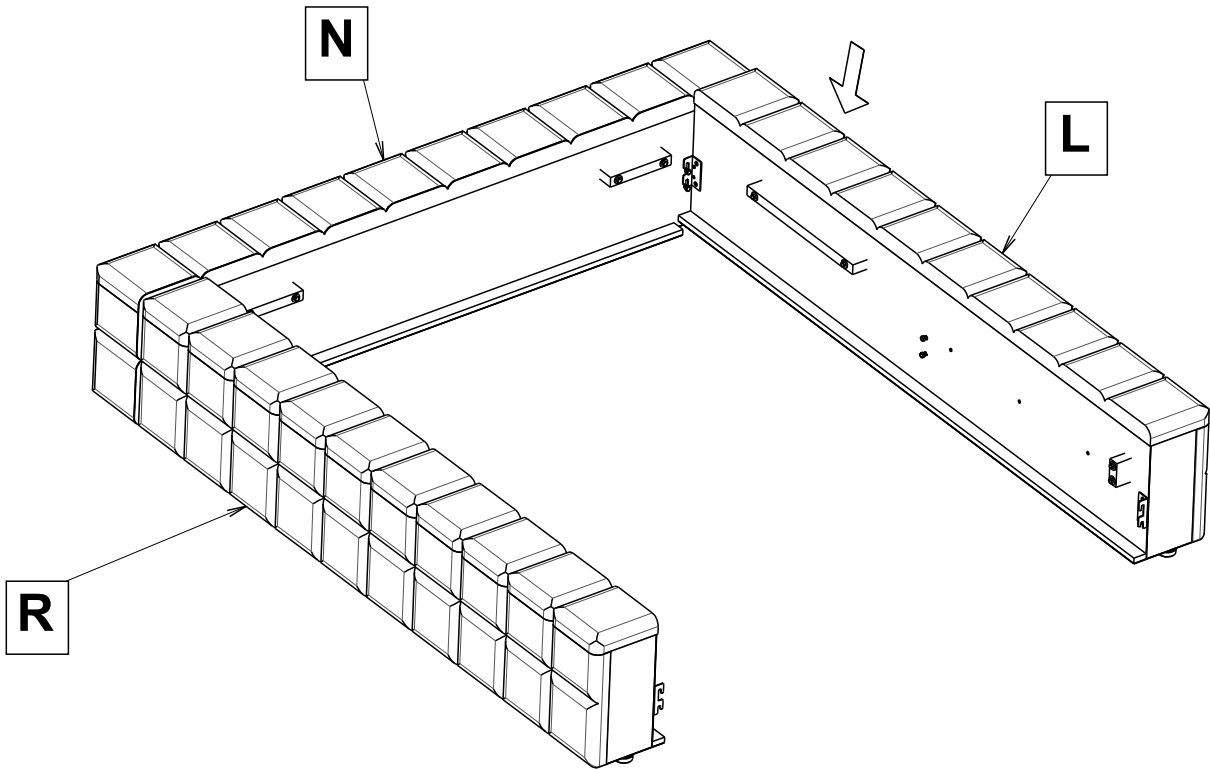
R

N

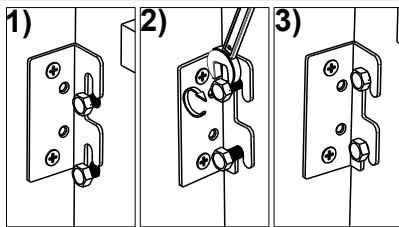
9



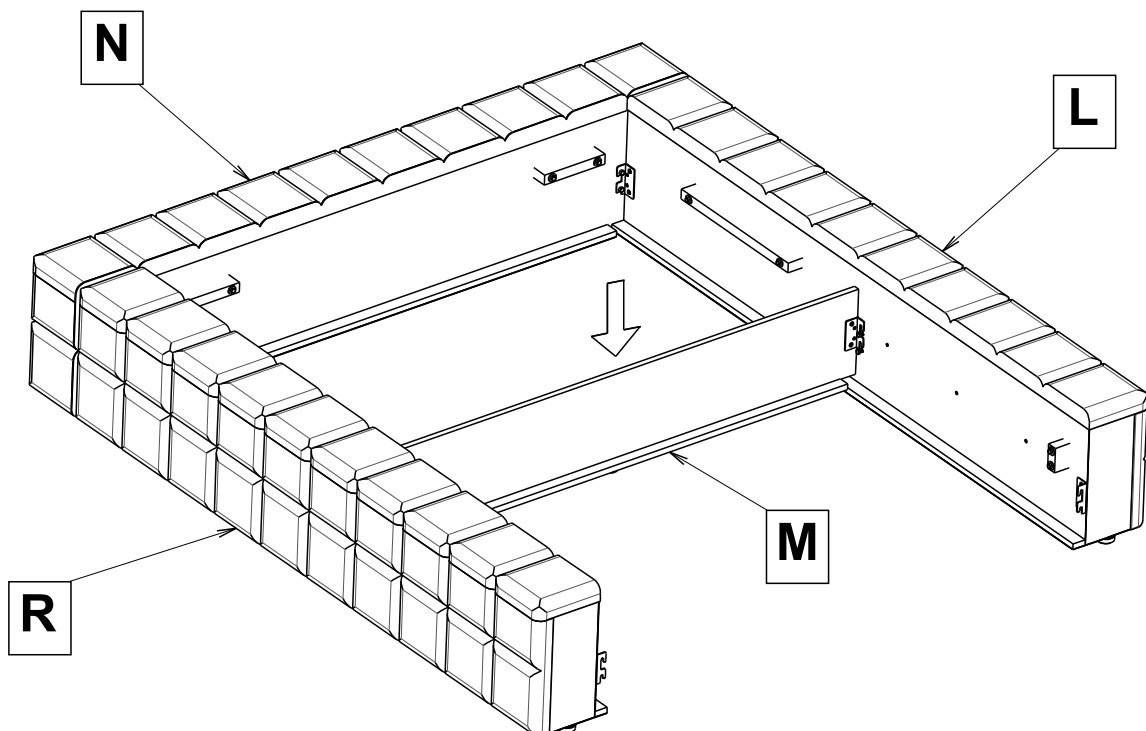
13"



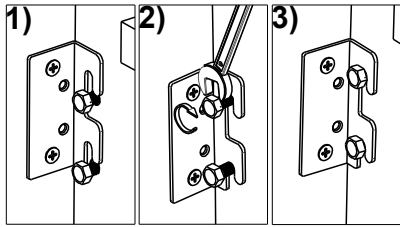
10



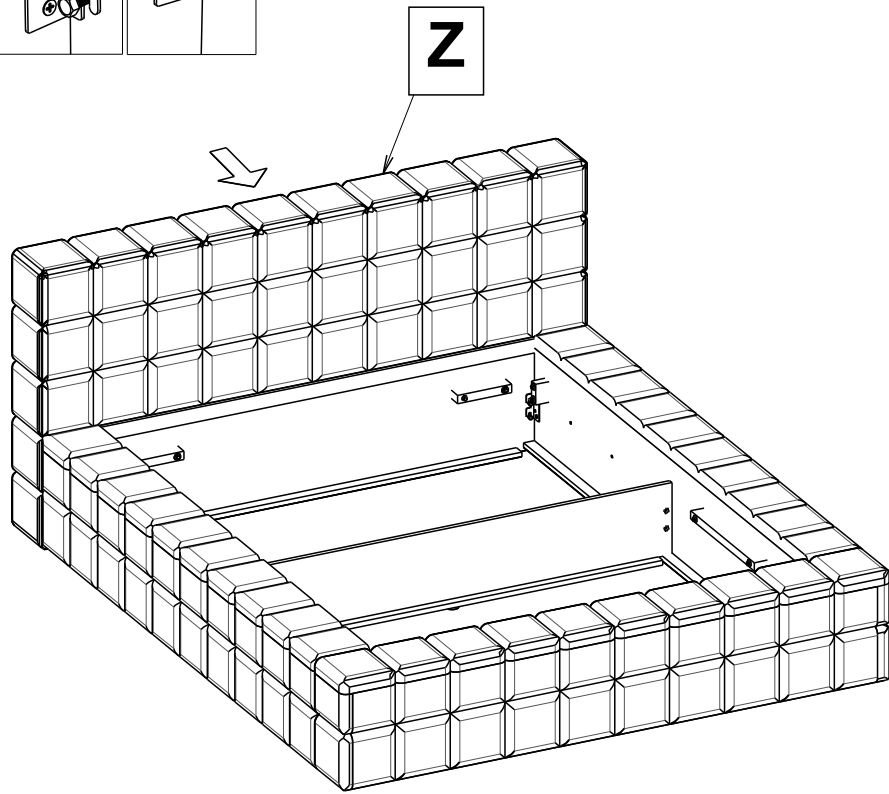
13"



# 11

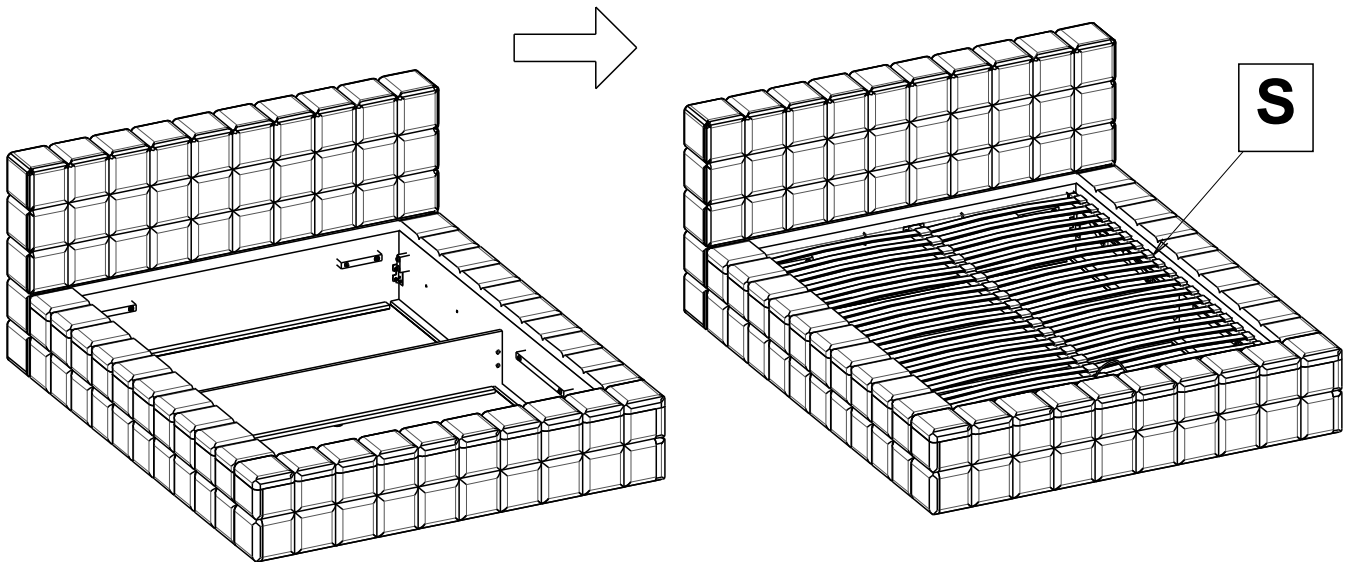


13"

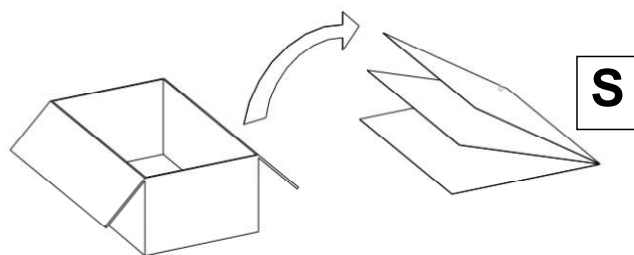


Z

# 12



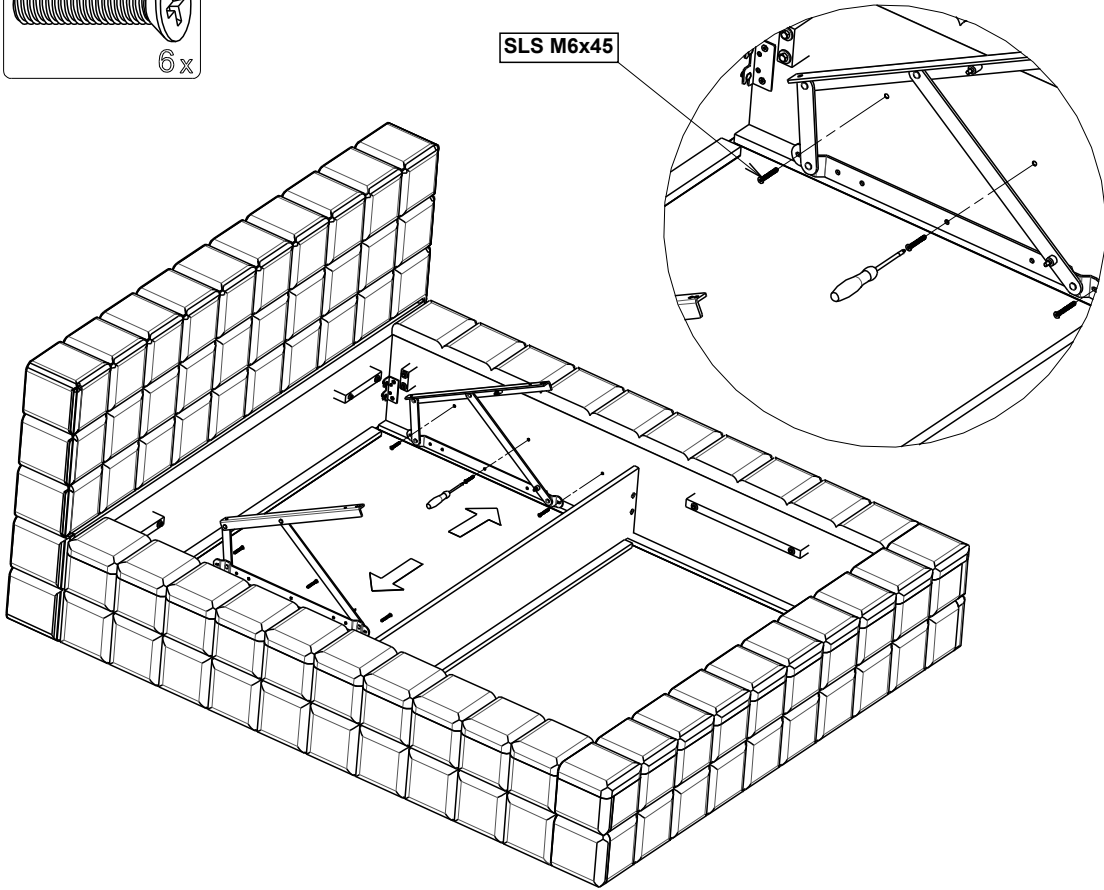
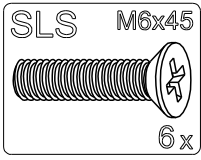
S



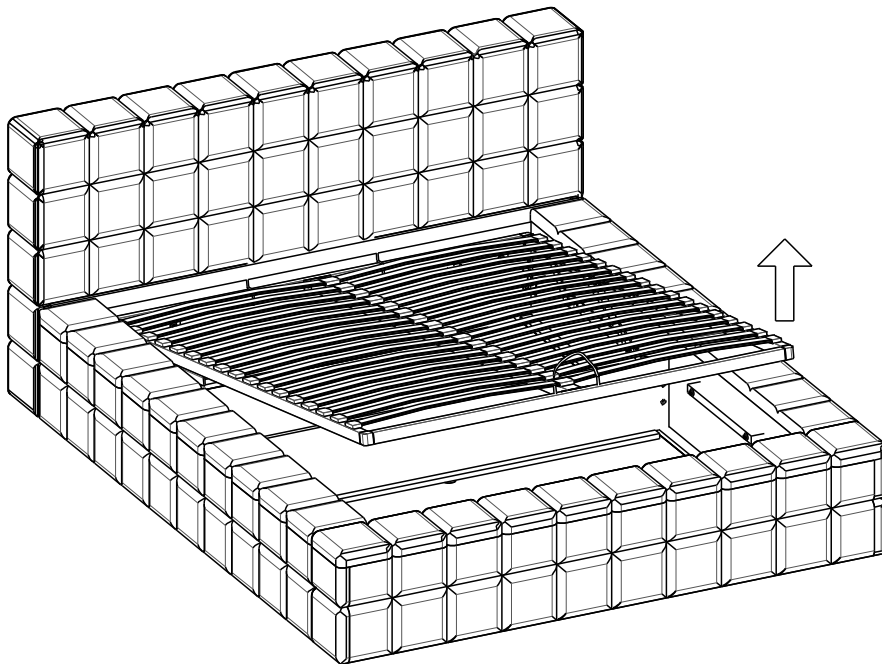
S



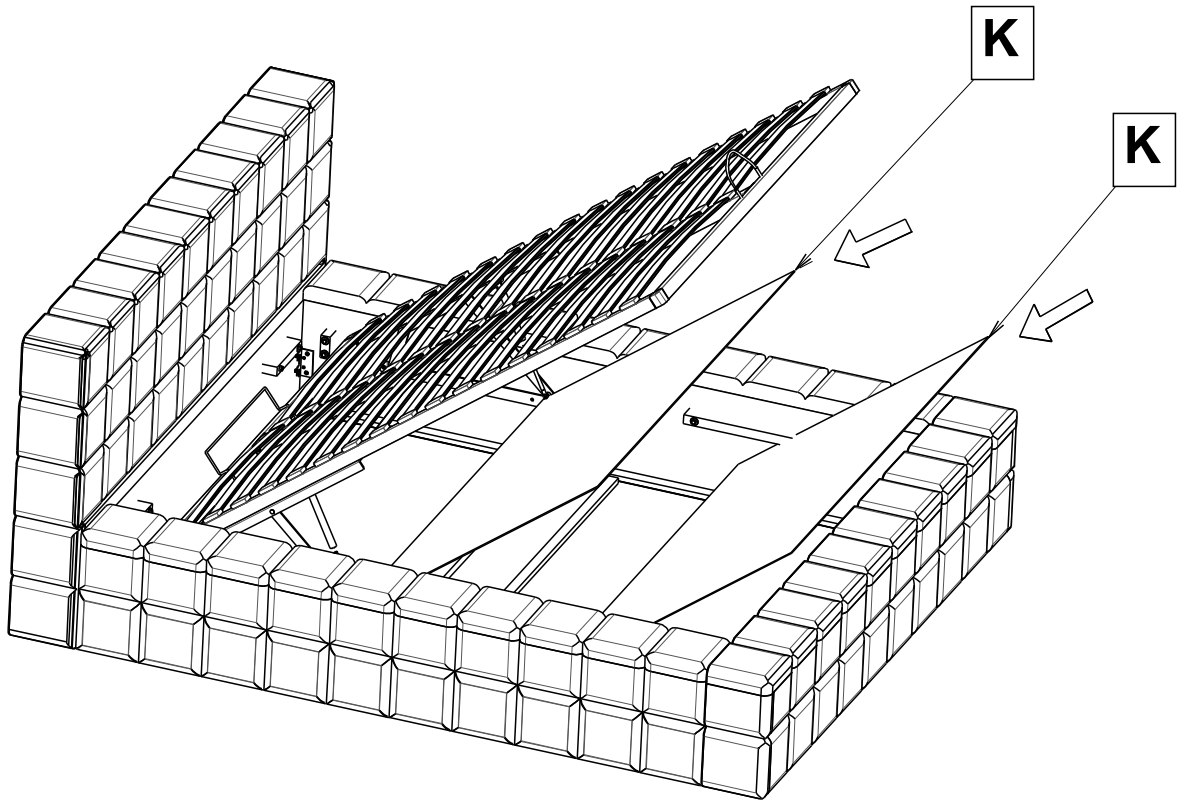
# 13



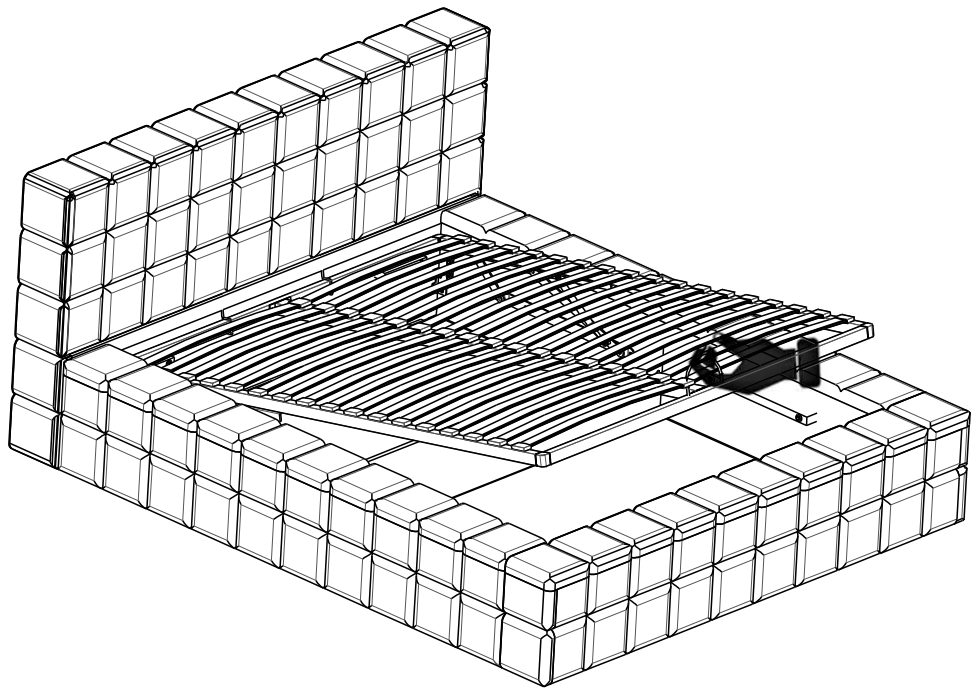
# 14



15



A



**B**

