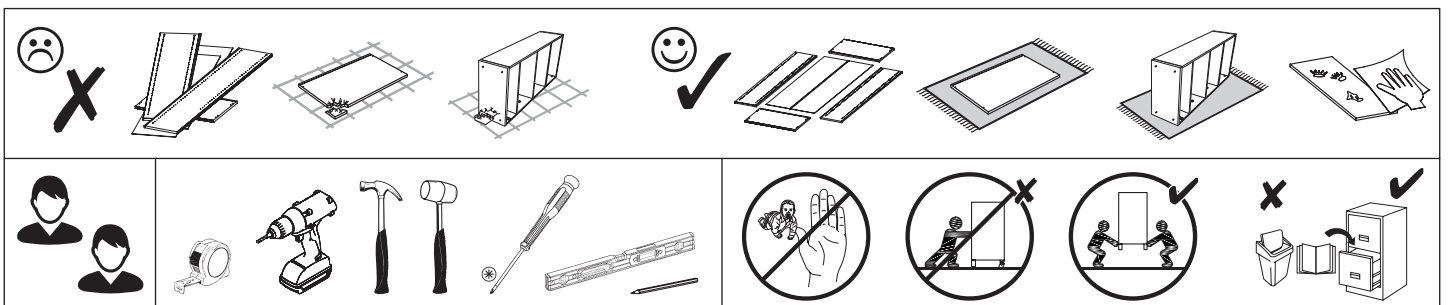
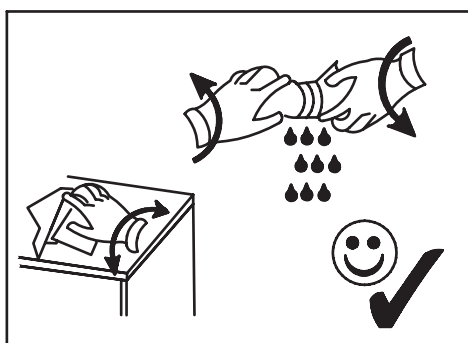
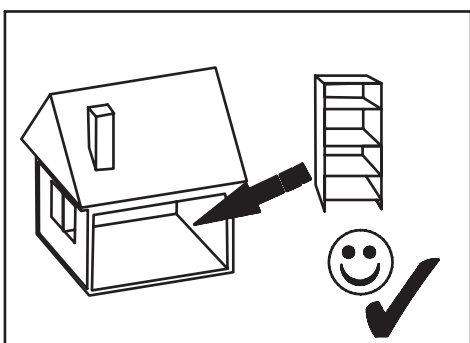
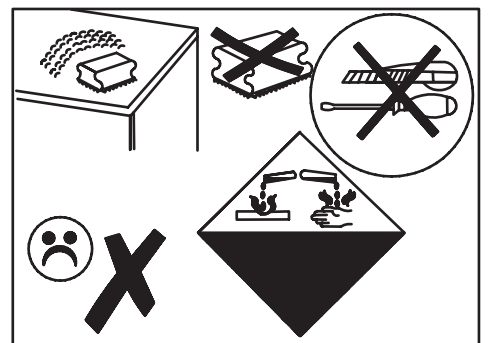
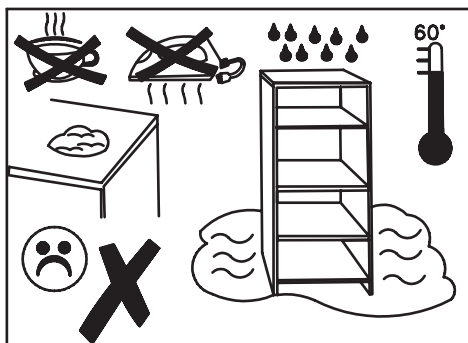
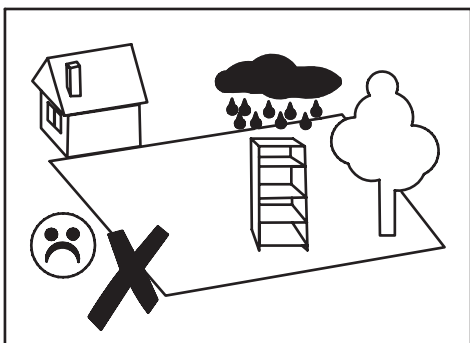
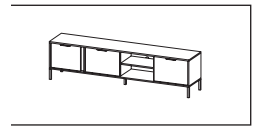
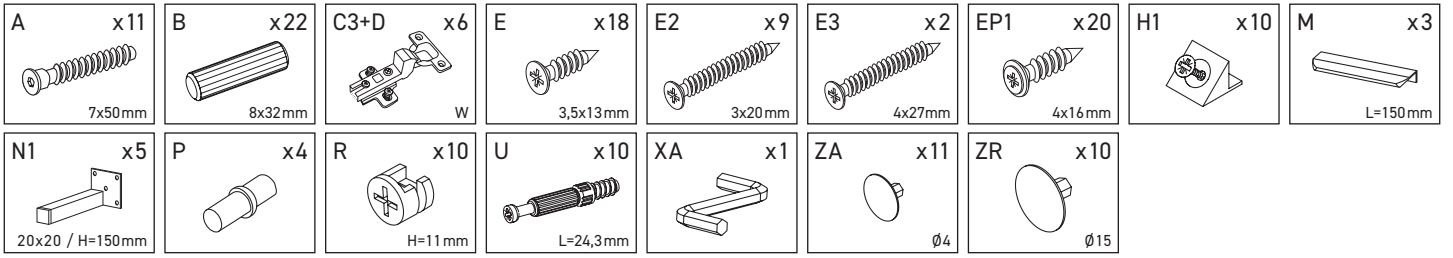
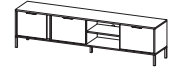


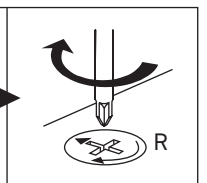
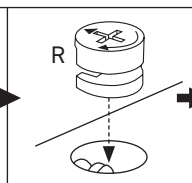
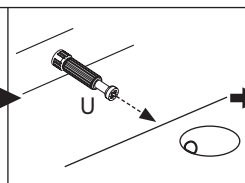
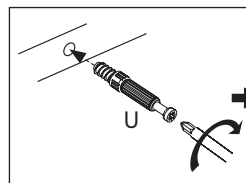
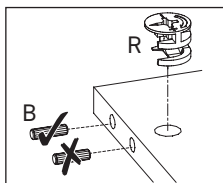
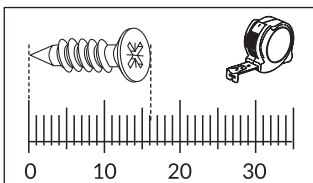
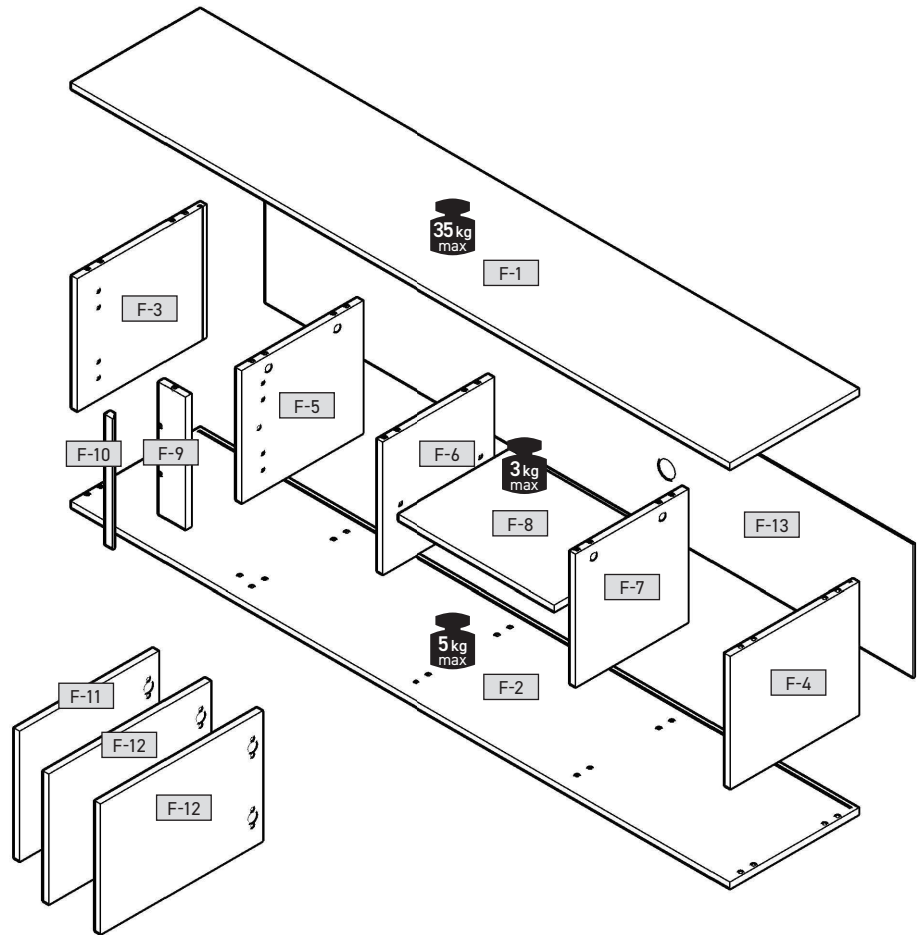
2023-04-26

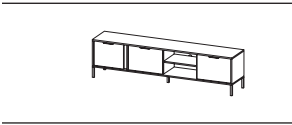




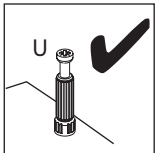
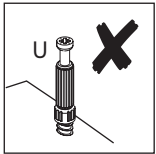
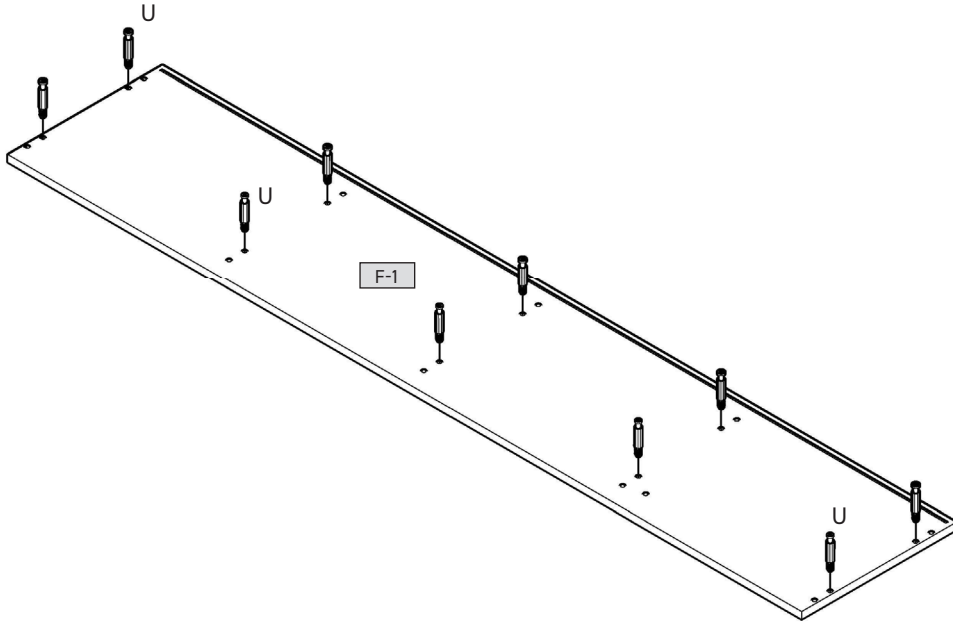
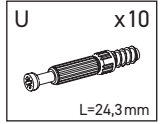


F-1	2029	395	16	x1	1/1
F-2	2029	395	16	x1	1/1
F-3	352	394	16	x1	1/1
F-4	352	394	16	x1	1/1
F-5	352	372	16	x1	1/1
F-6	352	345	16	x1	1/1
F-7	352	345	16	x1	1/1
F-8	482	335	16	x1	1/1
F-9	352	90	16	x1	1/1
F-10	348	24	16	x1	1/1
F-11	426	346	16	x1	1/1
F-12	496	346	16	x2	1/1
F-13	2010	366	3	x1	1/1

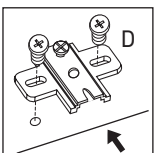
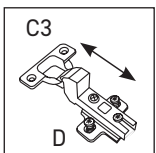
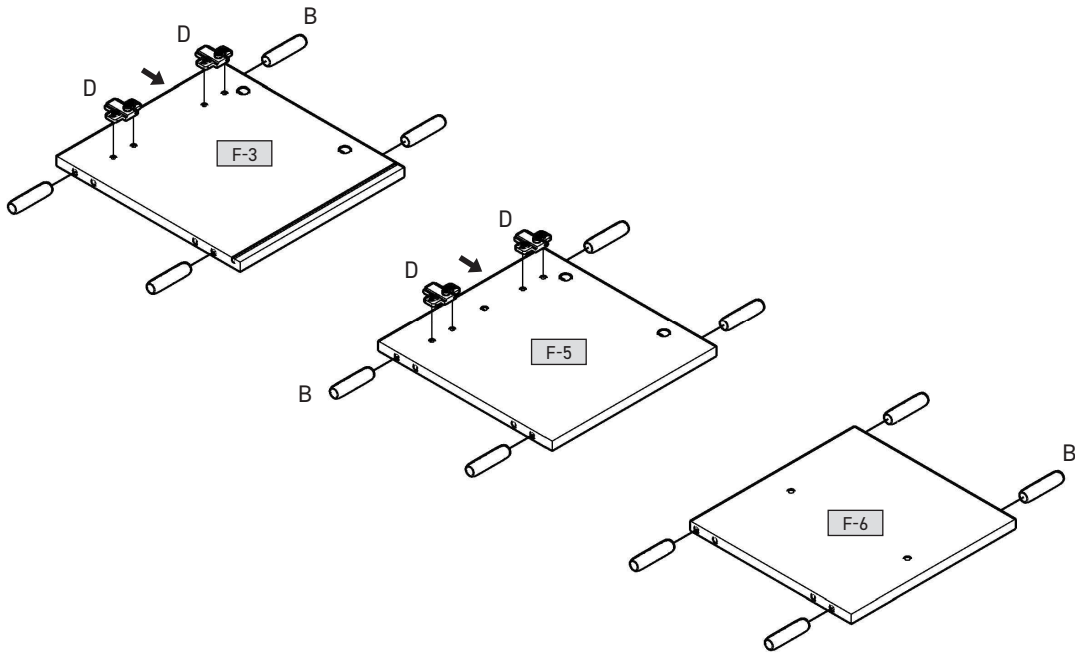
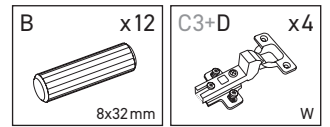


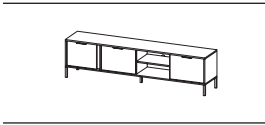


1

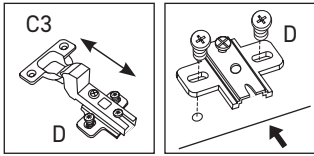
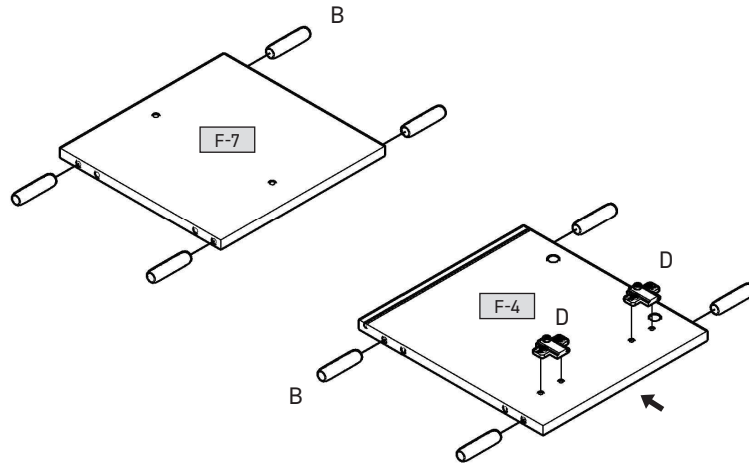
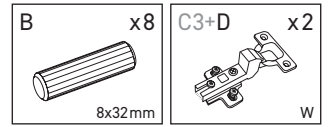


2

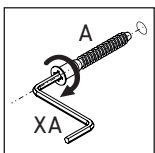
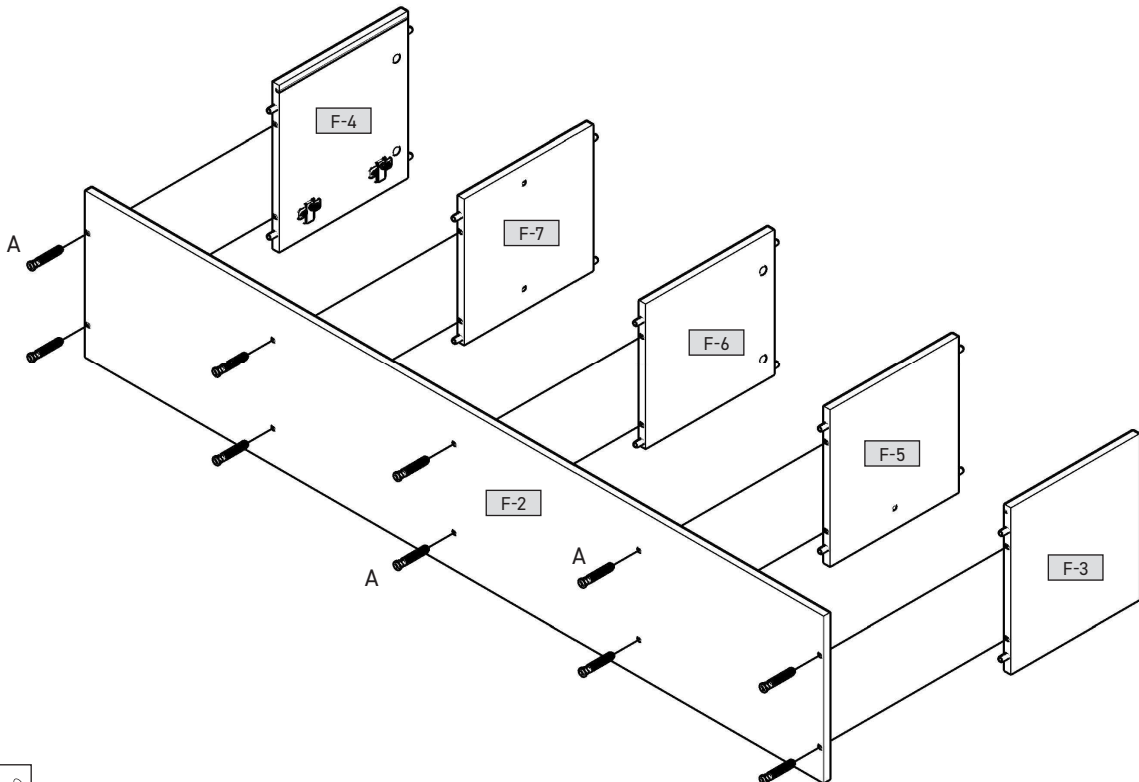
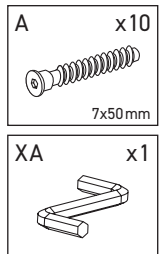




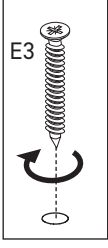
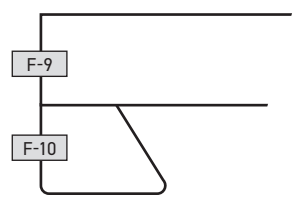
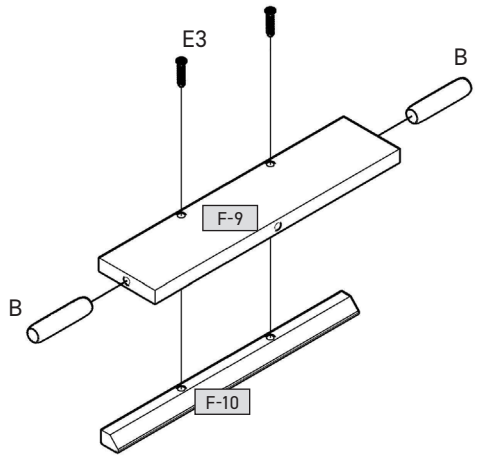
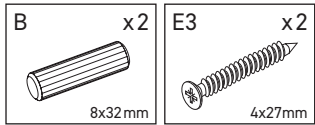
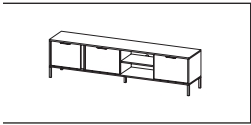
3



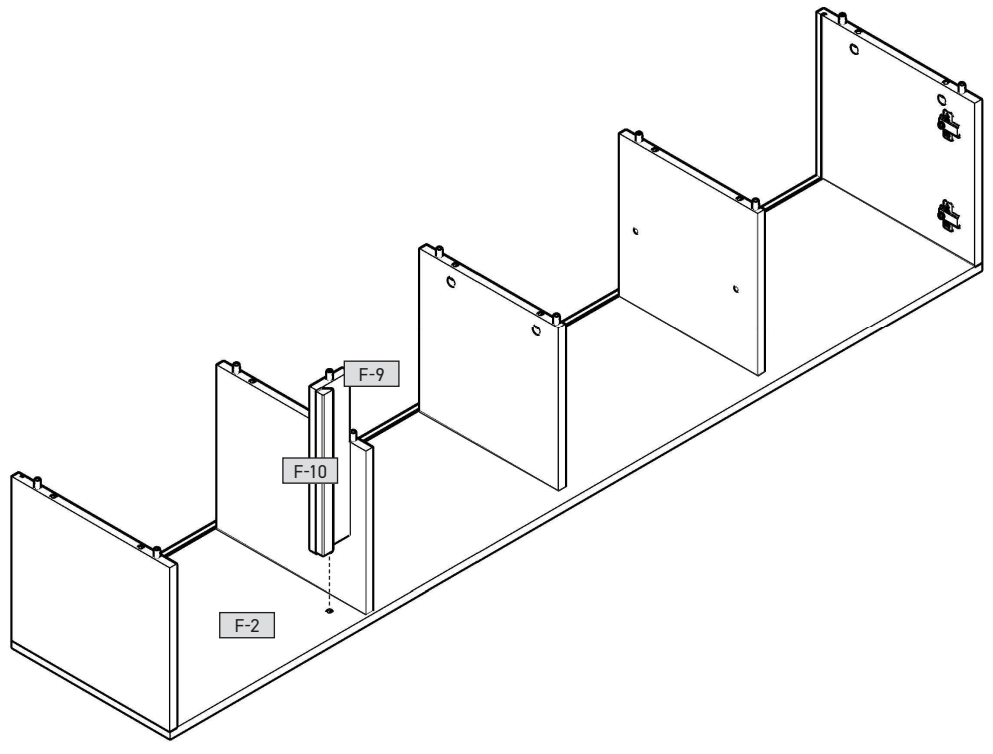
4

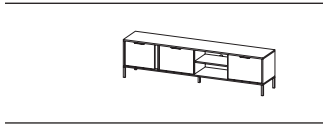


5

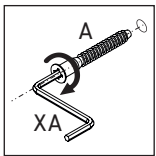
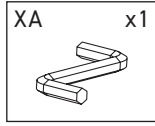
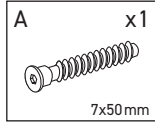
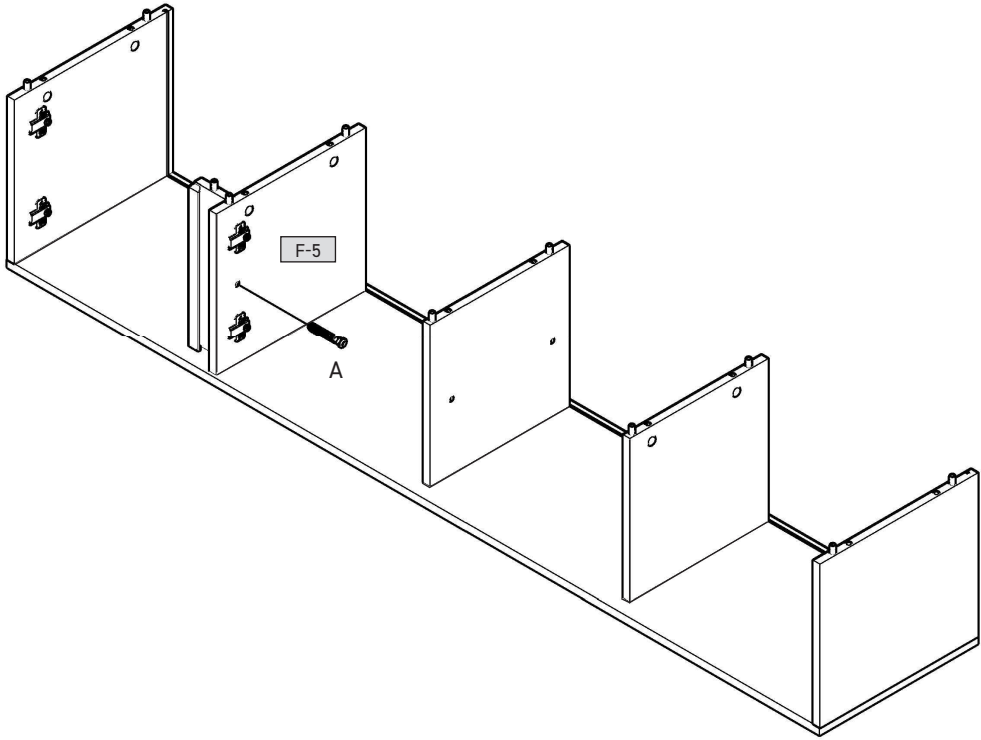


6

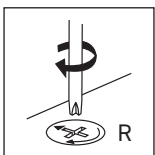
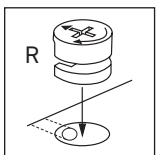
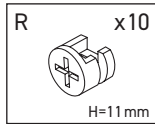
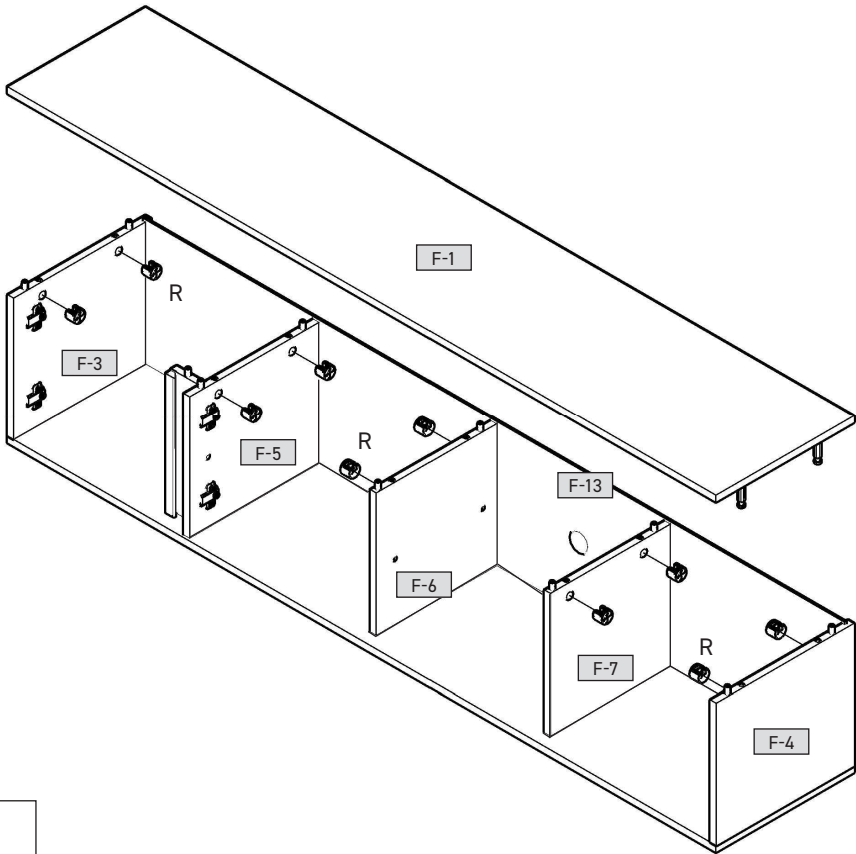


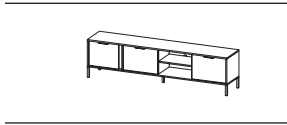


7

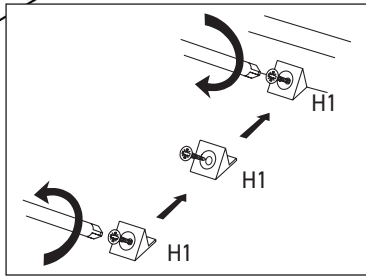
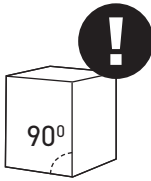
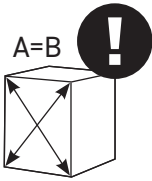
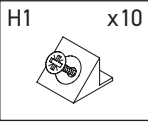
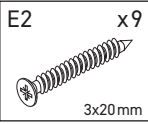
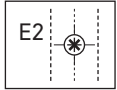
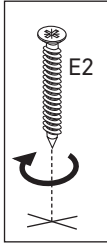
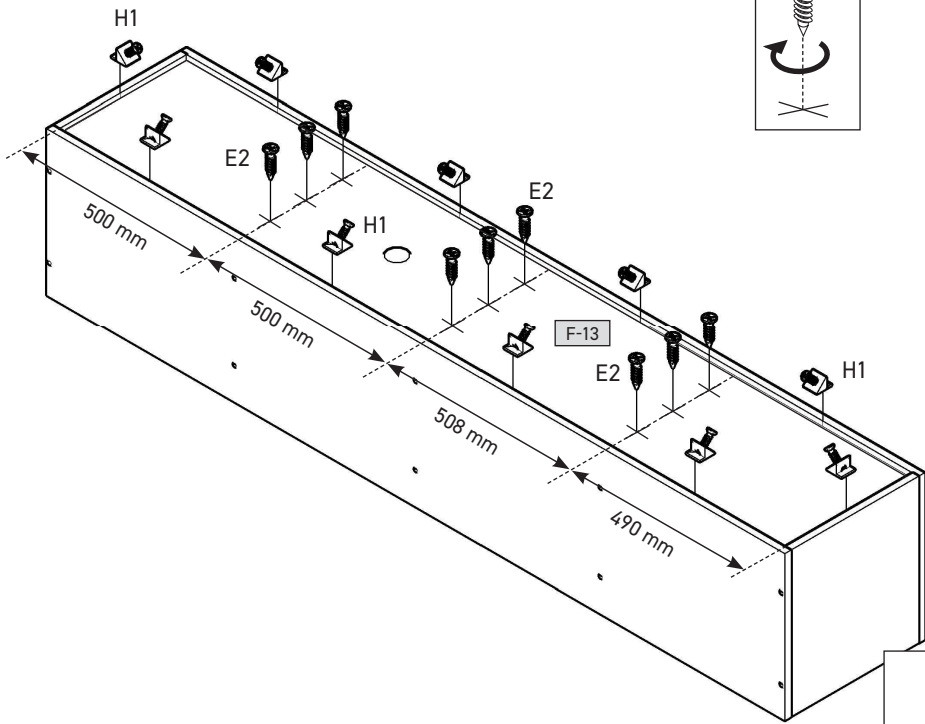


8

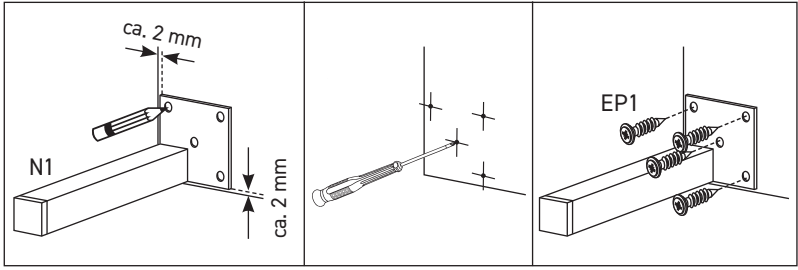
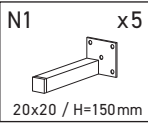
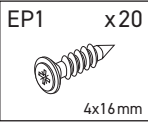
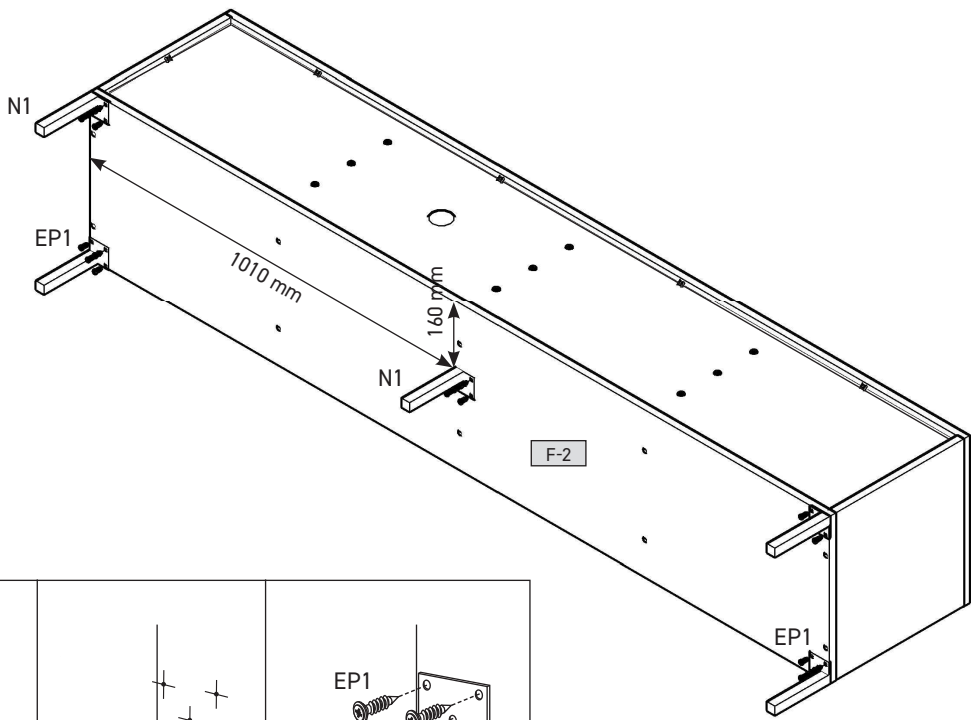




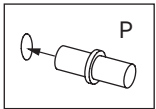
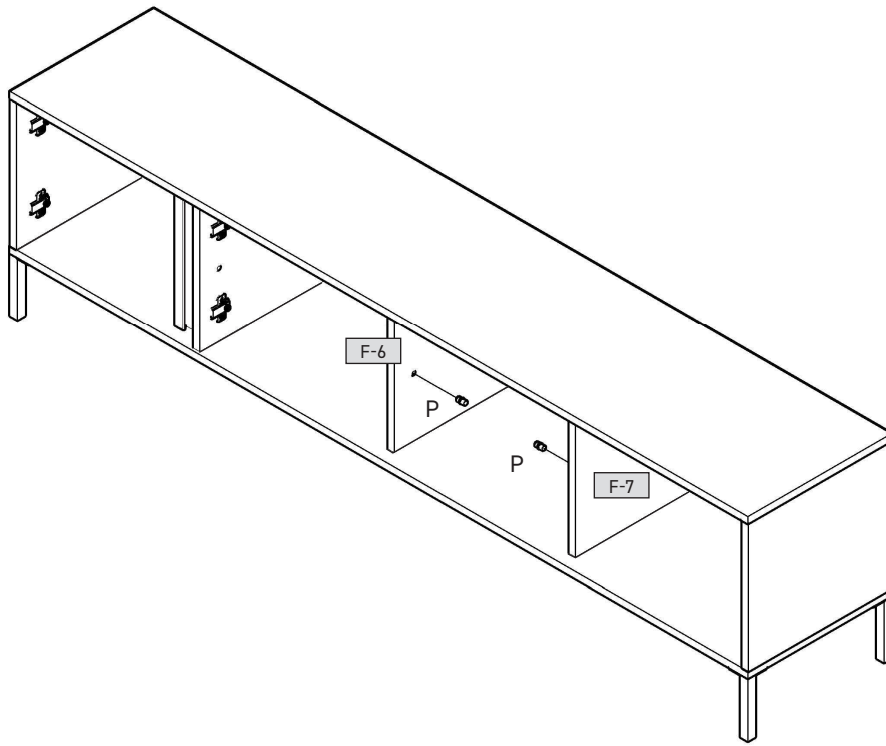
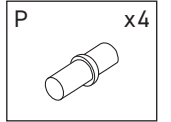
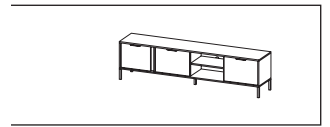
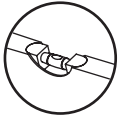
9



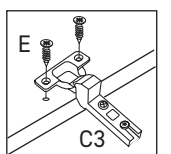
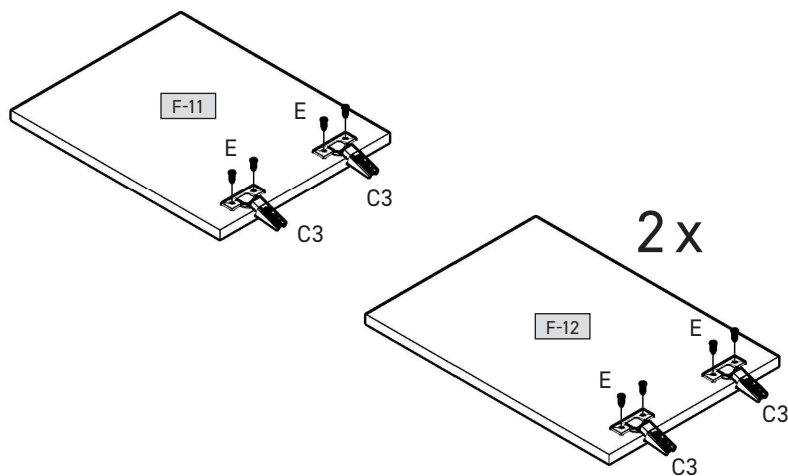
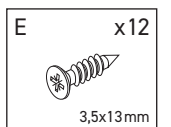
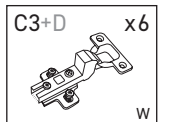
10



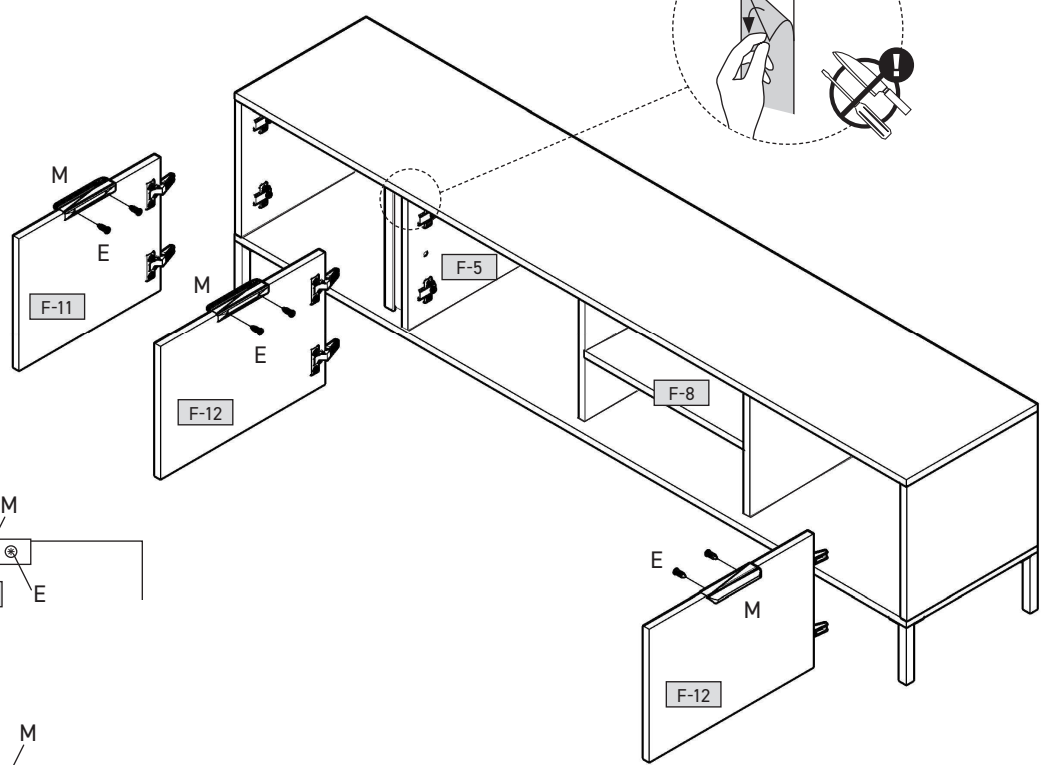
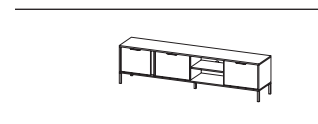
11



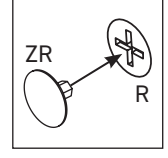
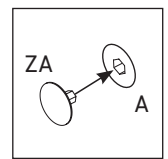
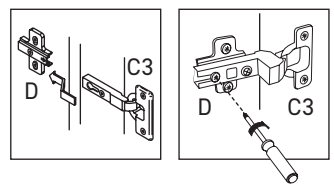
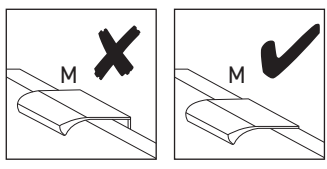
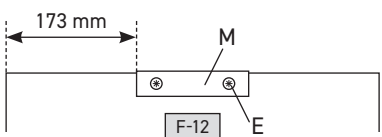
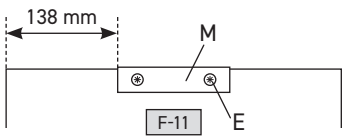
12



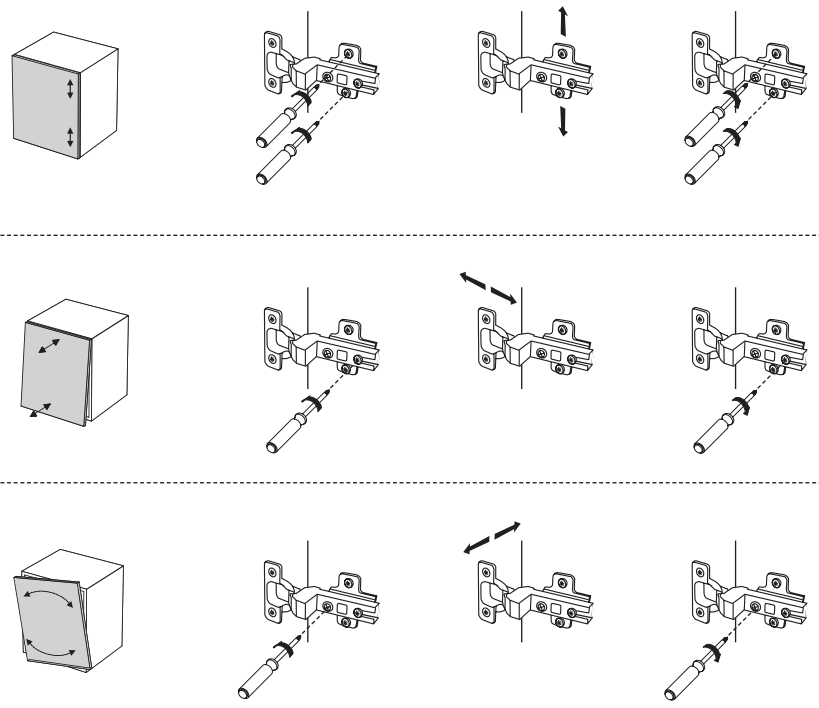
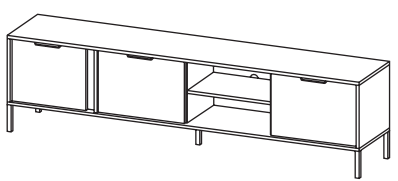
13

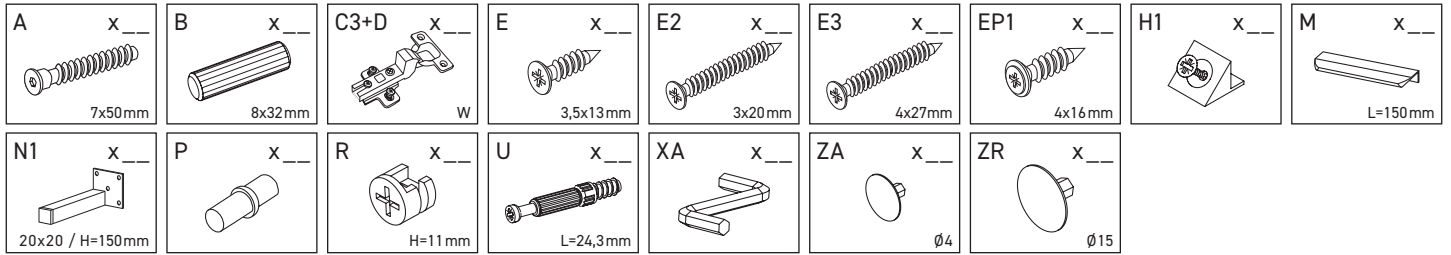


- E x6
3,5x13mm
- M x3
L=150mm
- ZA x11
ø4
- ZR x10
ø15

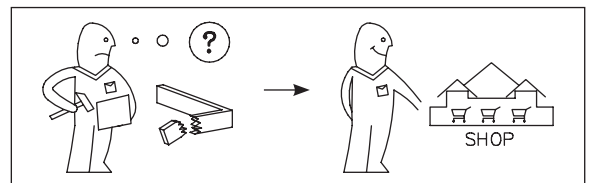
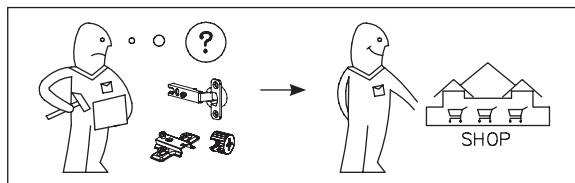
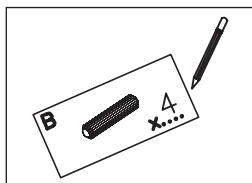
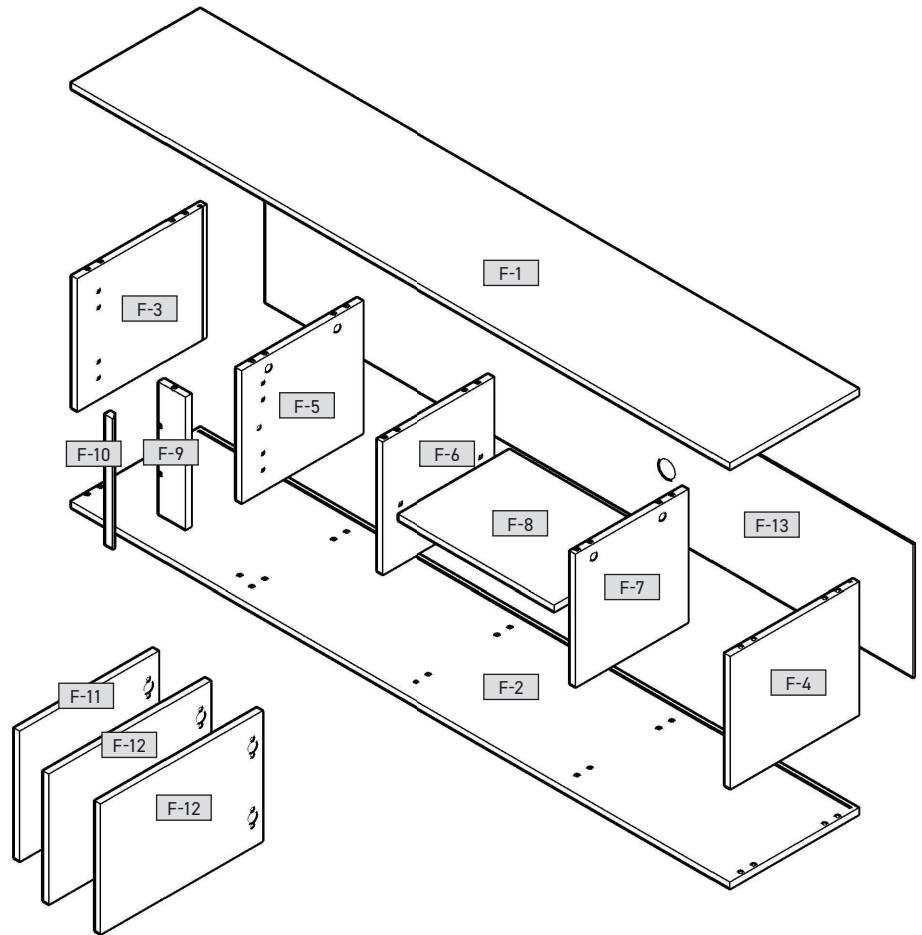


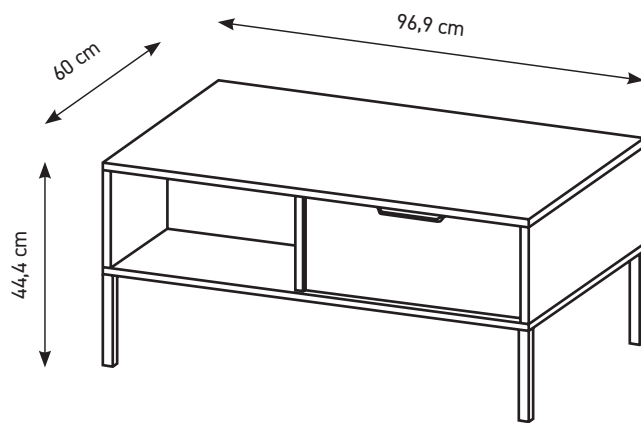
14



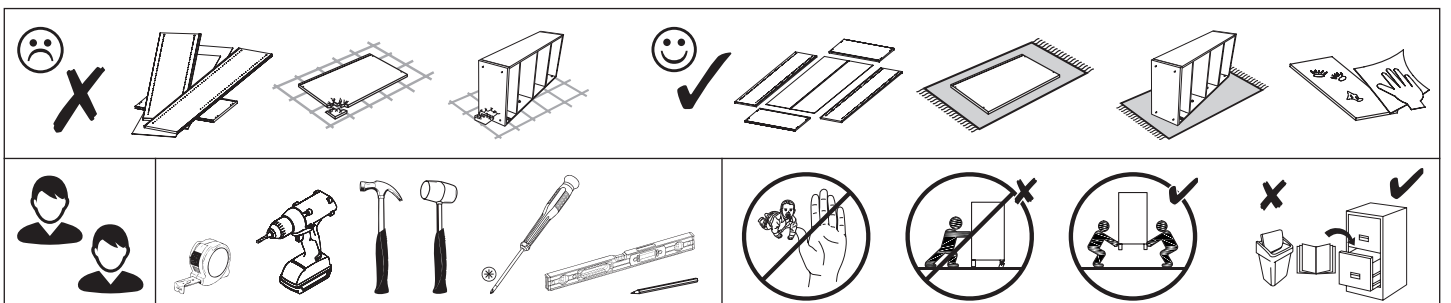


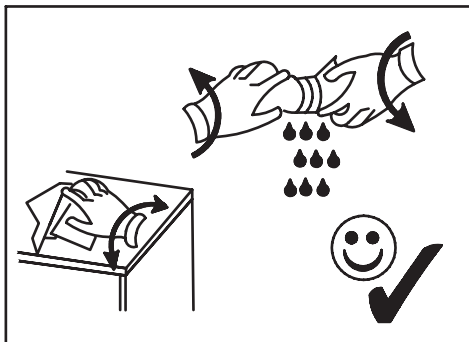
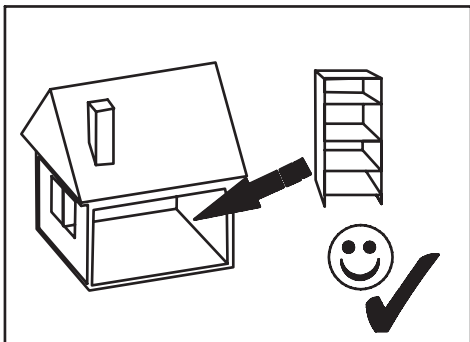
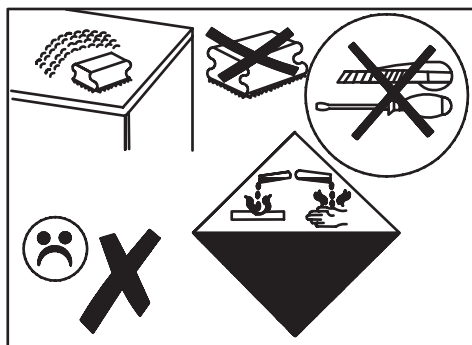
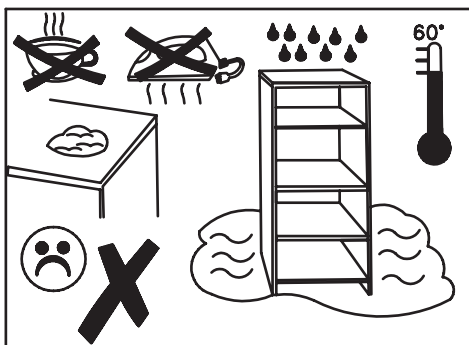
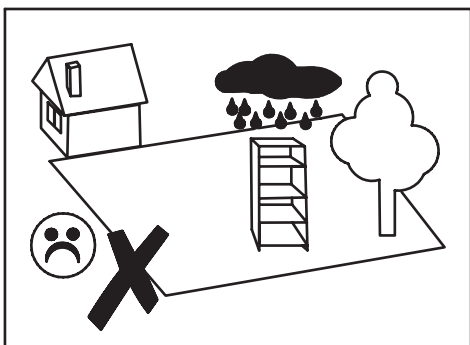
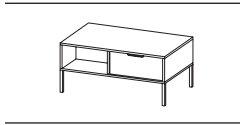
F-1	2029	395	16	x 1	1/1
F-2	2029	395	16	x 1	1/1
F-3	352	394	16	x 1	1/1
F-4	352	394	16	x 1	1/1
F-5	352	372	16	x 1	1/1
F-6	352	345	16	x 1	1/1
F-7	352	345	16	x 1	1/1
F-8	482	335	16	x 1	1/1
F-9	352	90	16	x 1	1/1
F-10	348	24	16	x 1	1/1
F-11	426	346	16	x 1	1/1
F-12	496	346	16	x 2	1/1
F-13	2010	366	3	x 1	1/1

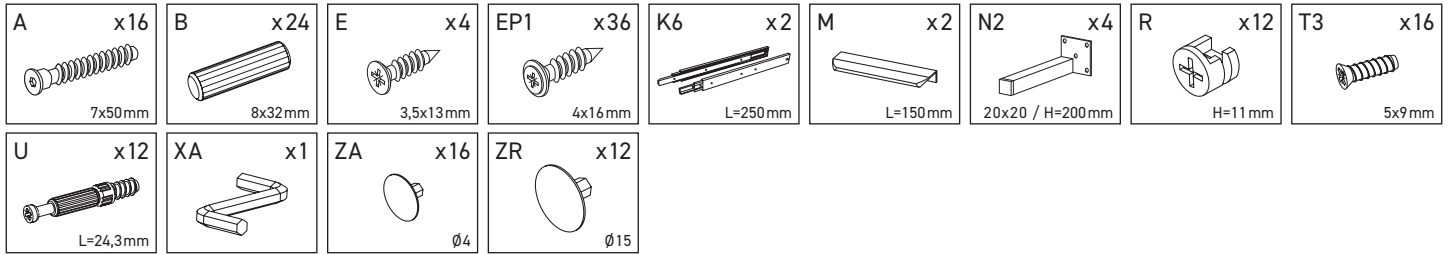
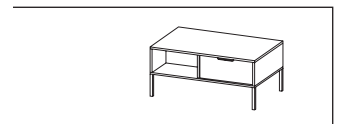




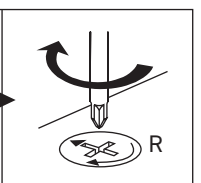
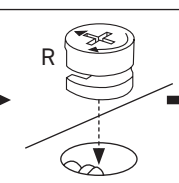
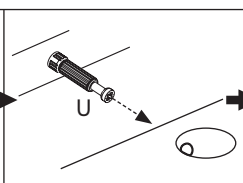
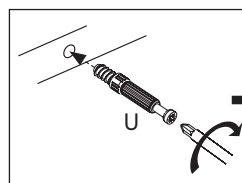
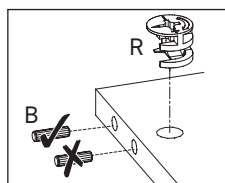
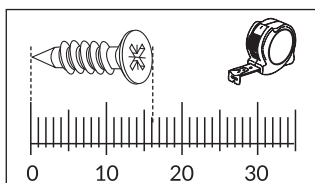
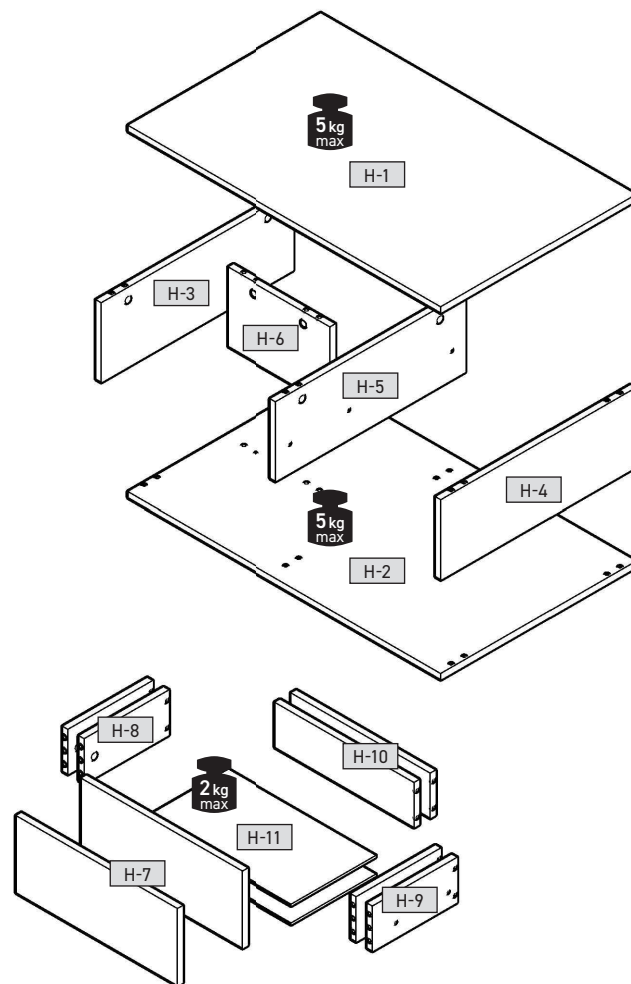
2023-04-26

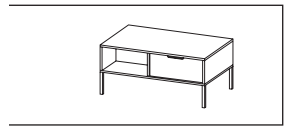




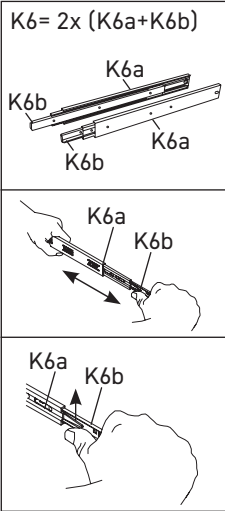
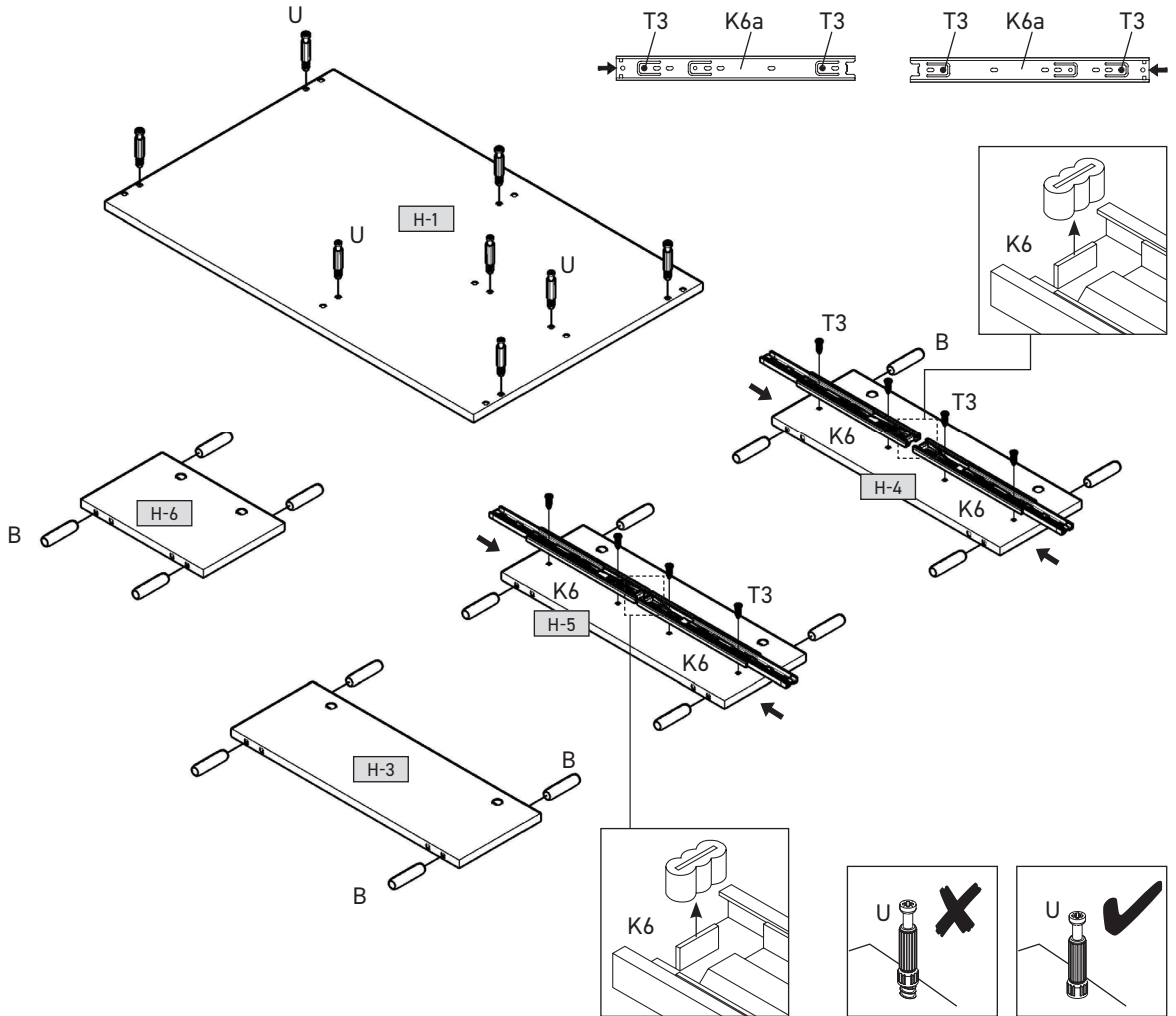
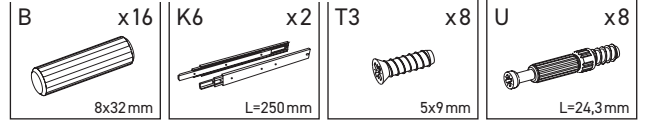


H-1	969	600	16	x 1	1/1
H-2	969	600	16	x 1	1/1
H-3	212	598	16	x 1	1/1
H-4	212	598	16	x 1	1/1
H-5	212	584	16	x 1	1/1
H-6	212	320	16	x 1	1/1
H-7	496	206	16	x 2	1/1
H-8	260	120	16	x 2	1/1
H-9	260	120	16	x 2	1/1
H-10	446	120	16	x 2	1/1
H-11	476	266	3	x 2	1/1

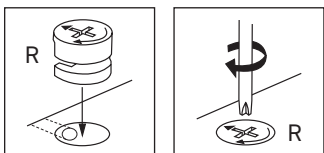
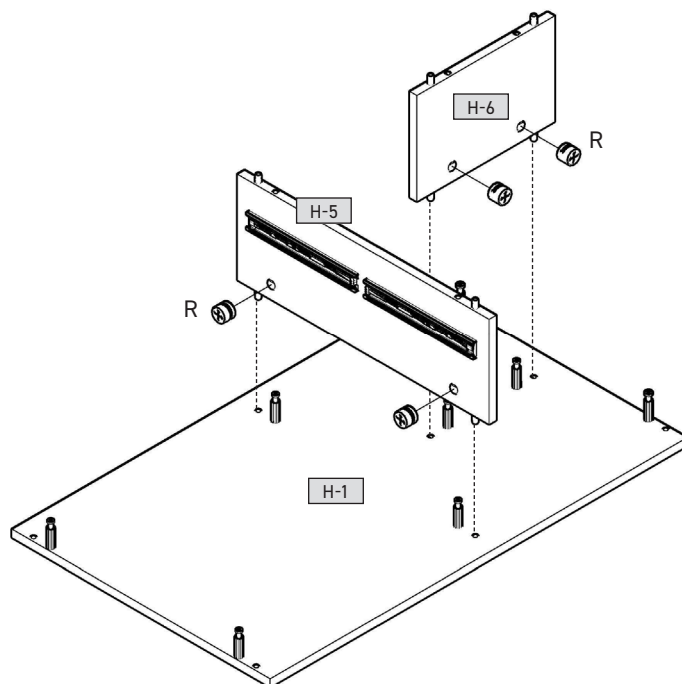
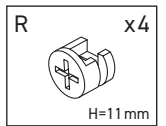


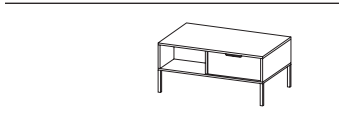


1

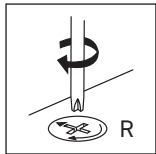
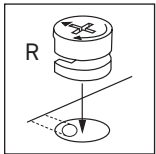
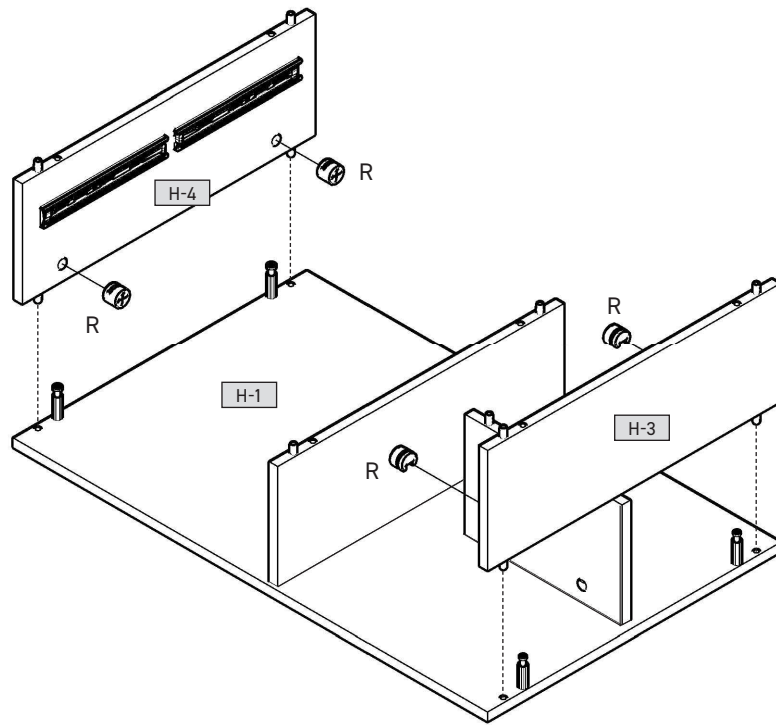
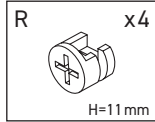


2

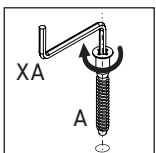
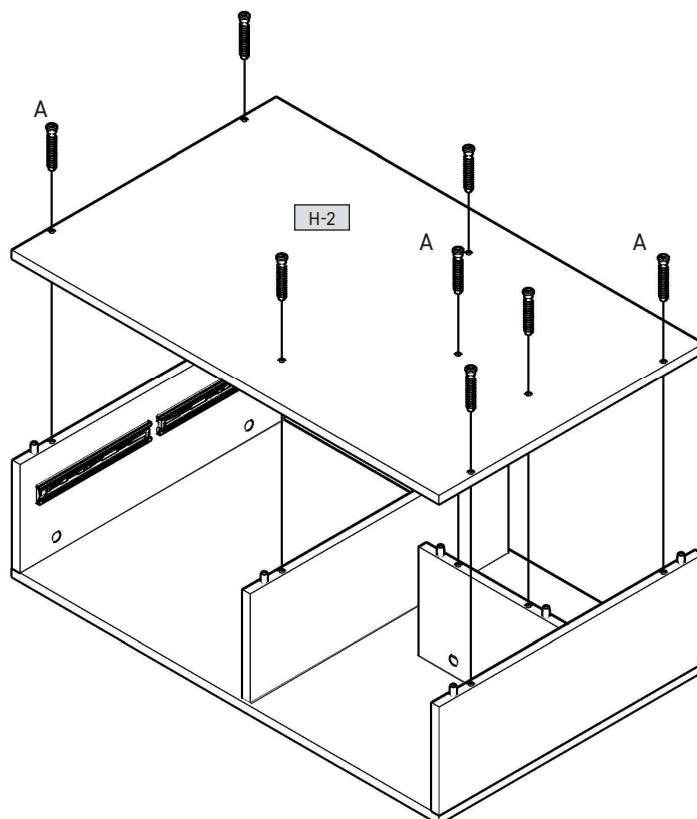
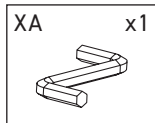
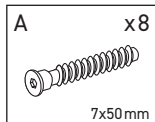


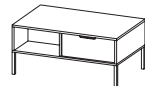


3

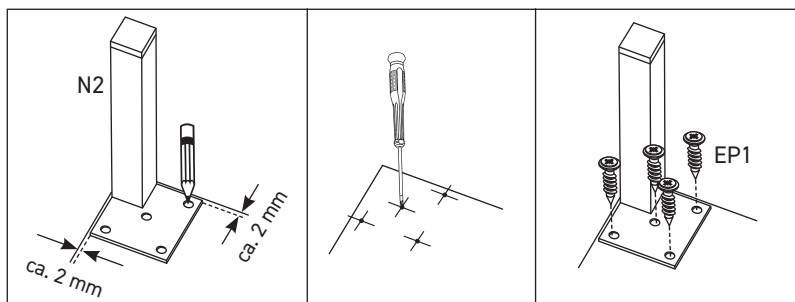
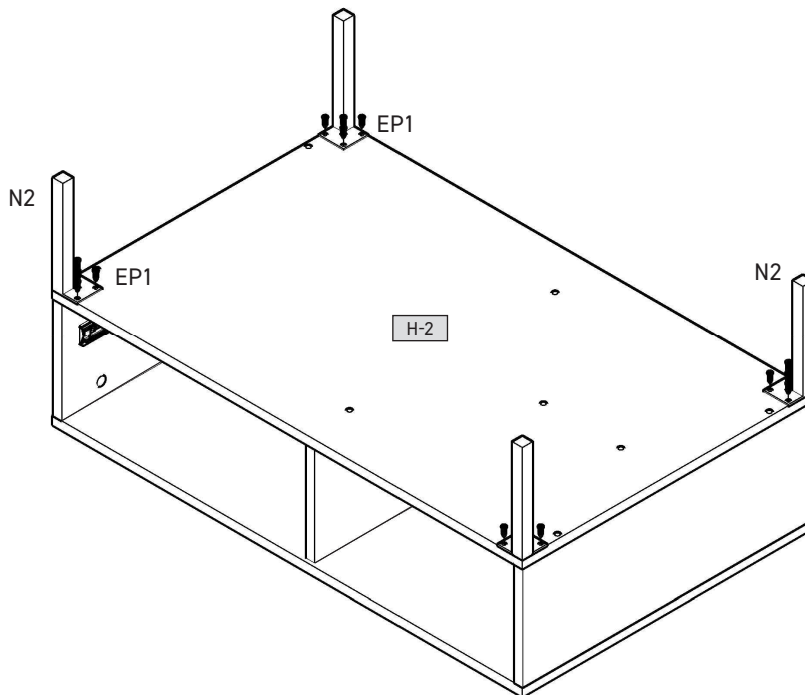
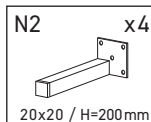
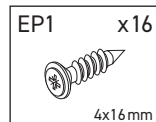
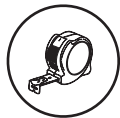


4

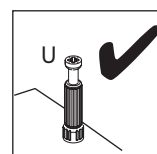
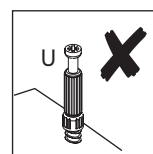
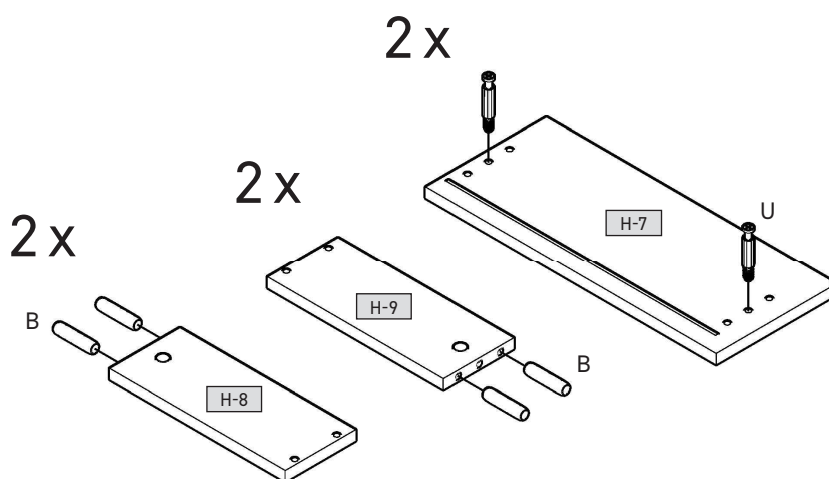
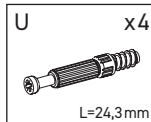
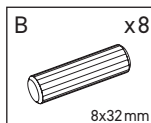


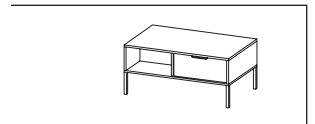


5

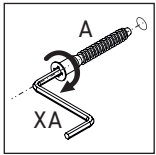
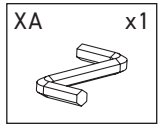
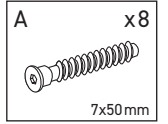
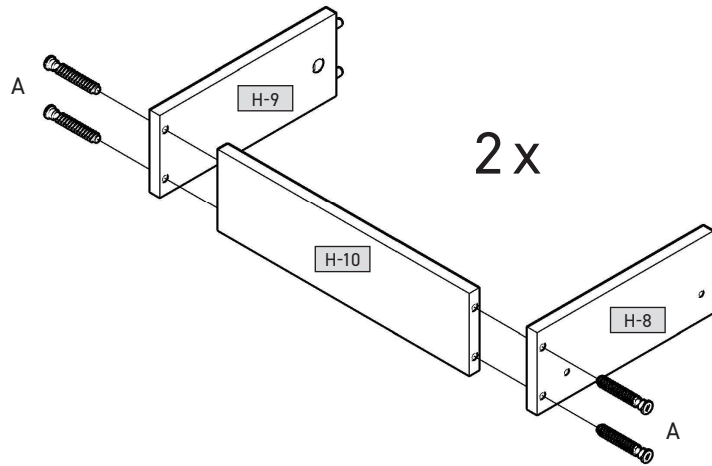


6

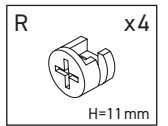
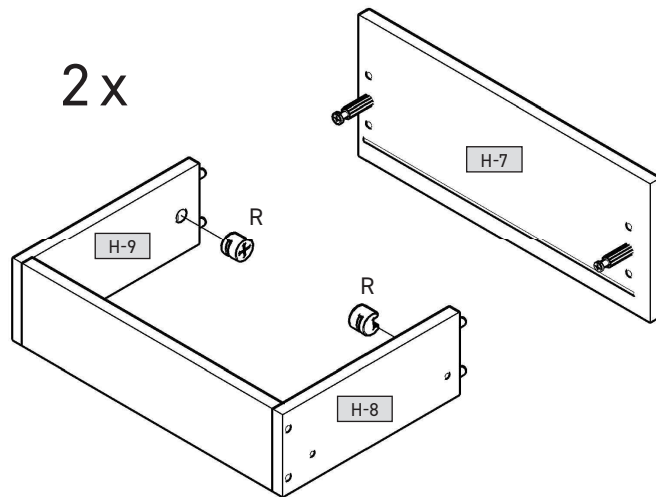
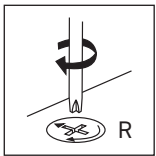
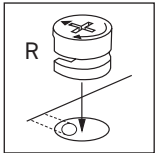




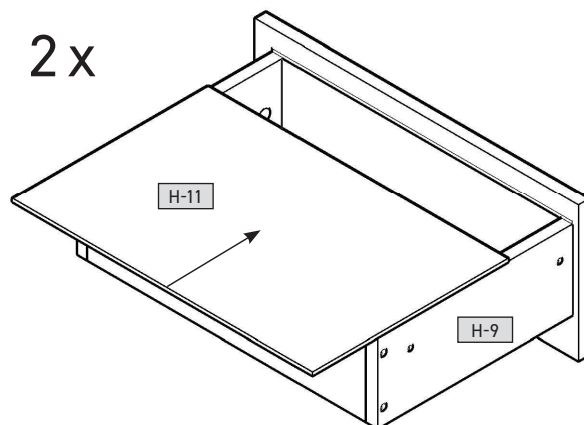
7

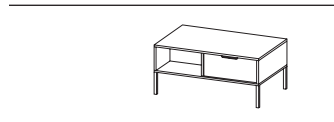


8

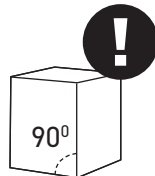
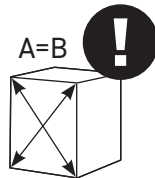
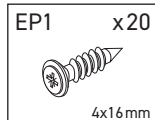
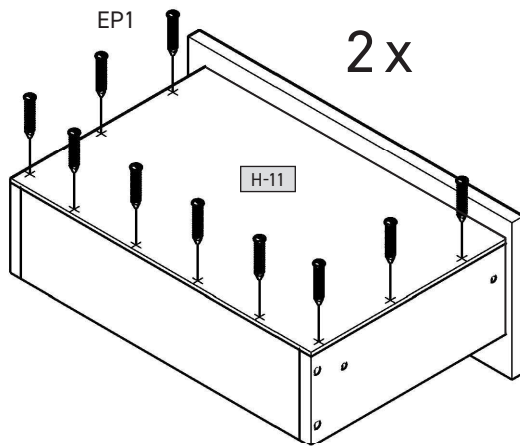
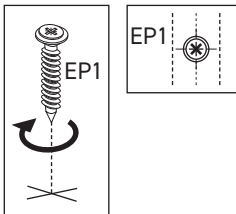
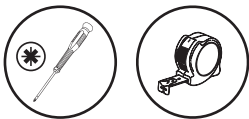


9

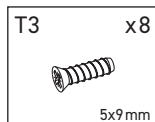
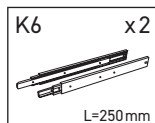
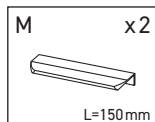
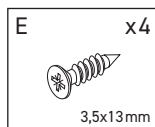
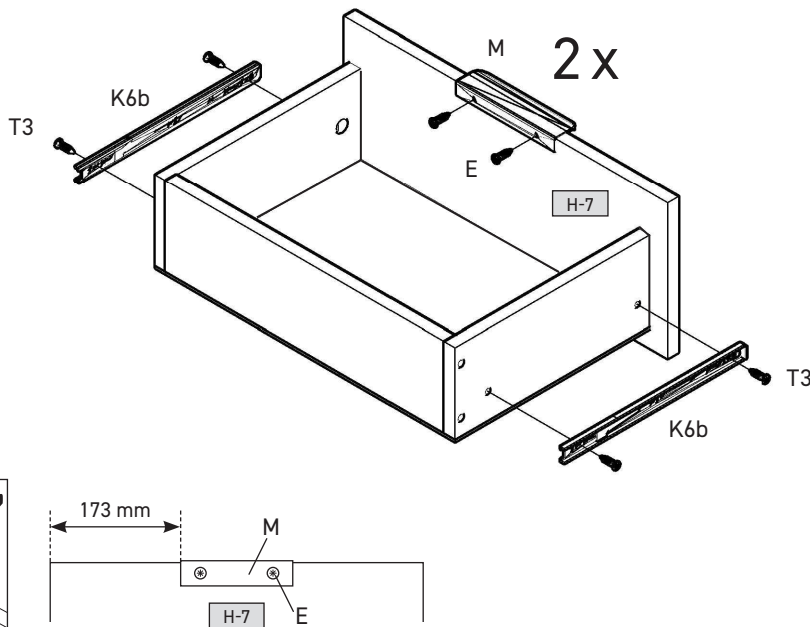
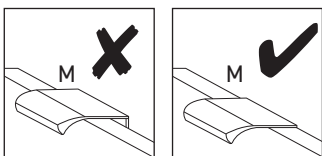
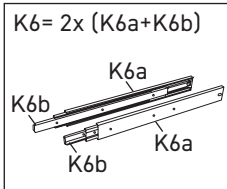




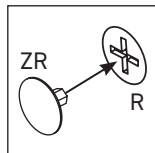
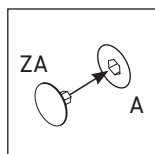
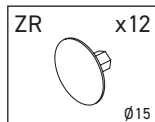
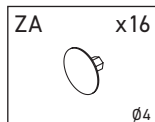
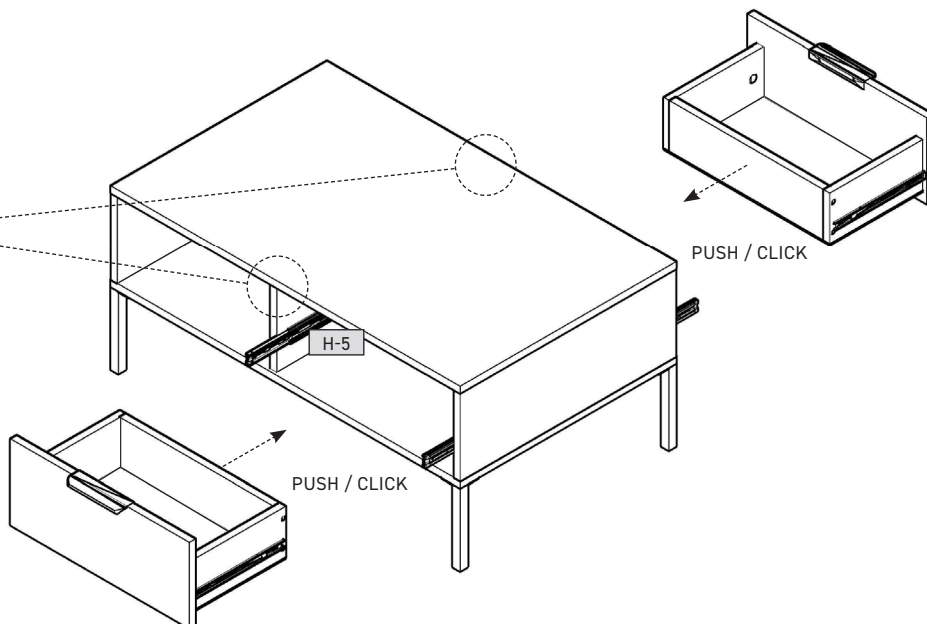
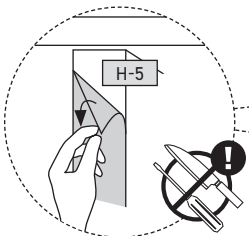
10

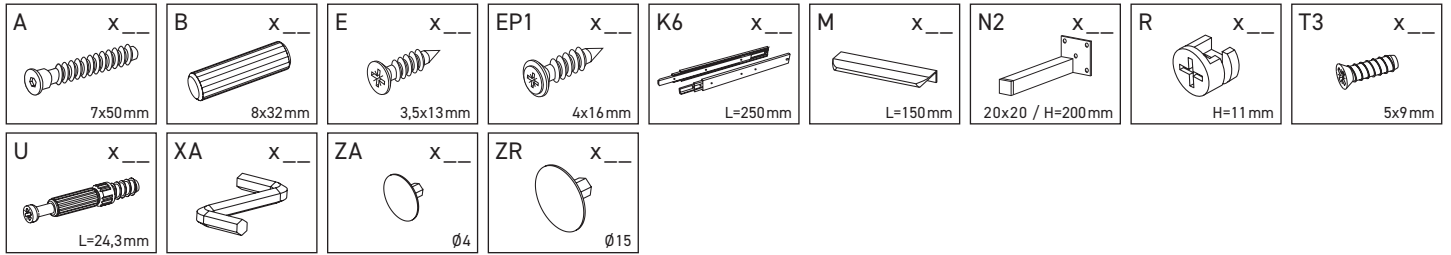


11



12





H-1	969	600	16	x 1	1/1
H-2	969	600	16	x 1	1/1
H-3	212	598	16	x 1	1/1
H-4	212	598	16	x 1	1/1
H-5	212	584	16	x 1	1/1
H-6	212	320	16	x 1	1/1
H-7	496	206	16	x 2	1/1
H-8	260	120	16	x 2	1/1
H-9	260	120	16	x 2	1/1
H-10	446	120	16	x 2	1/1
H-11	476	266	3	x 2	1/1

