

SY-400

SY-401

SY-128

SY-120

SY-129

SY-128

SY-120

SY-129

SY-171

SY-173

SY-172

SY-170

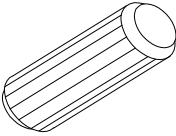
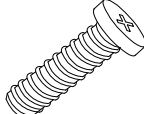
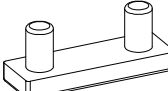
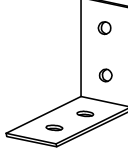

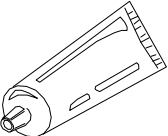
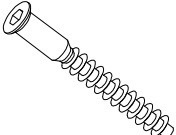
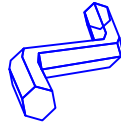
SY-170

SY-173

SY-171

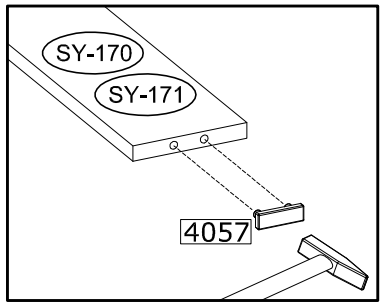
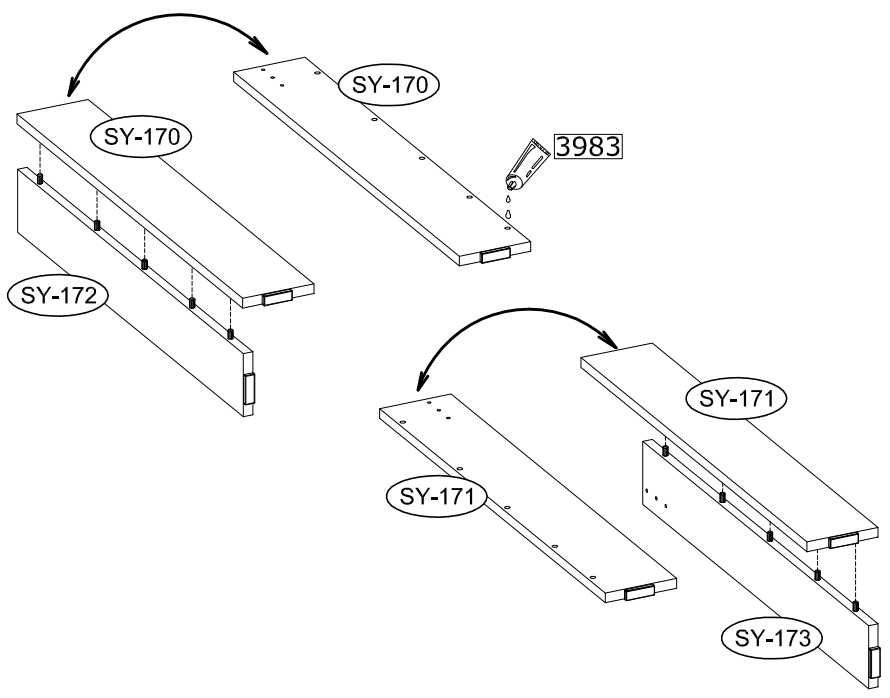
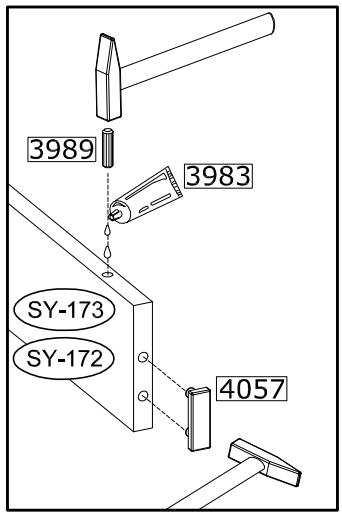
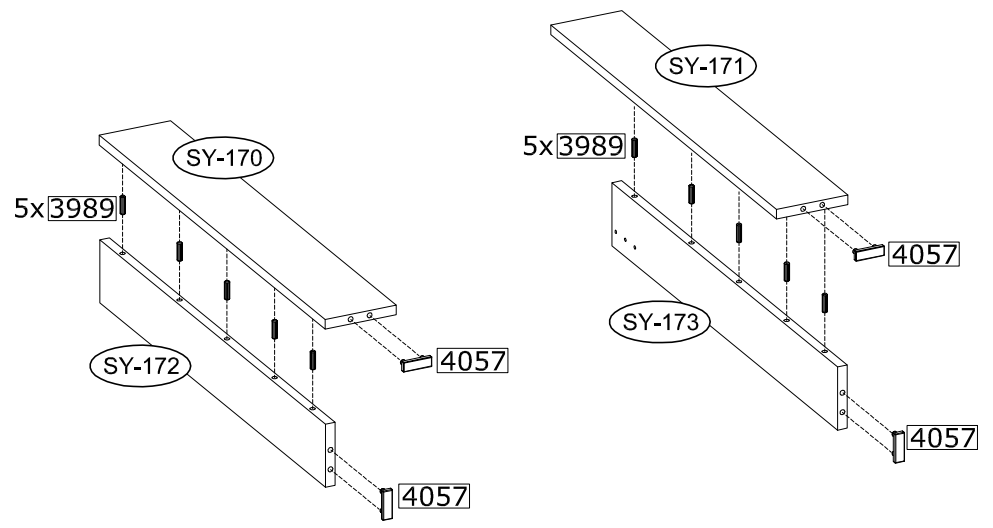
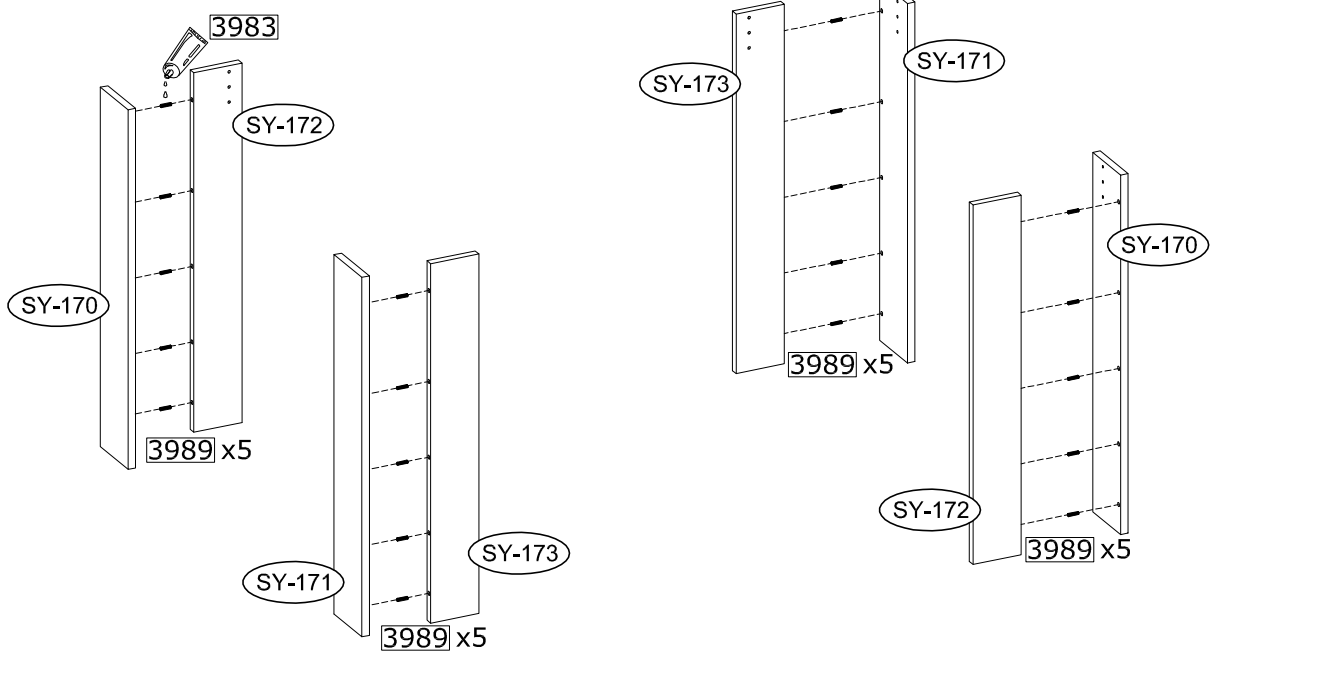
SY-172

<b>05</b>	SY-400	SY-129
<b>06</b>	SY-401	SY-120

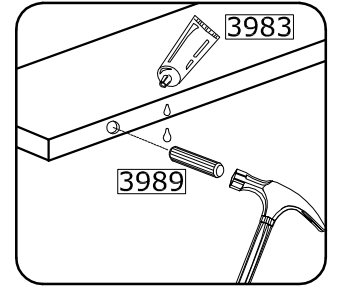
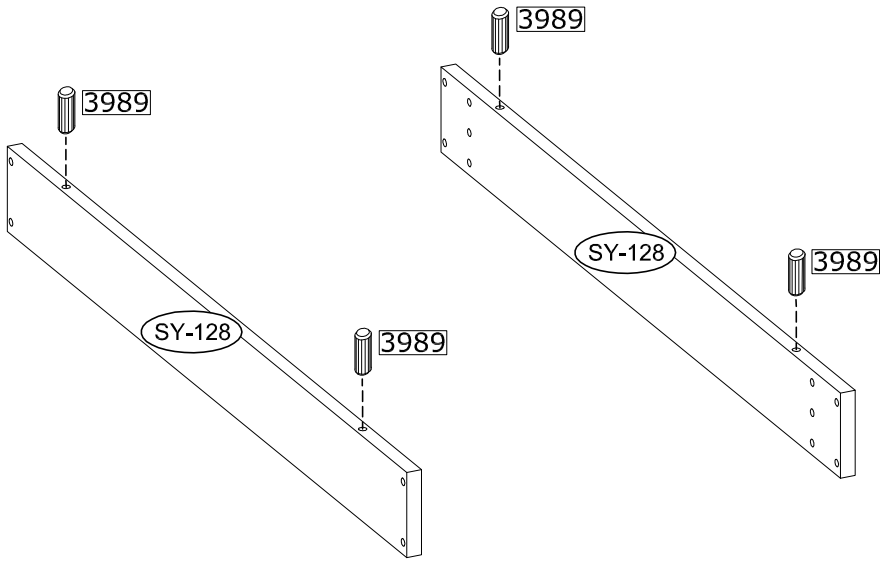
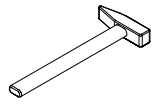
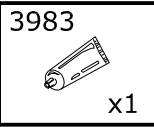
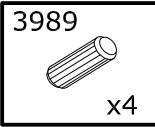
<p>3989</p>  <p>Ø8x30mm x24</p>	<p>IN01617</p>  <p>Ø6.3x26mm x24</p>	<p>4057</p>  <p>x8</p>	<p>3981</p>  <p>40x40x18 mm x8</p>
<p>3918</p>  <p>Ø3,5x16mm x32</p>	<p>3983</p>  <p>x3</p>	<p>3884</p>  <p>Ø6,4 mm/50mm x8</p>	<p>3984</p>  <p>x1</p>

# 1

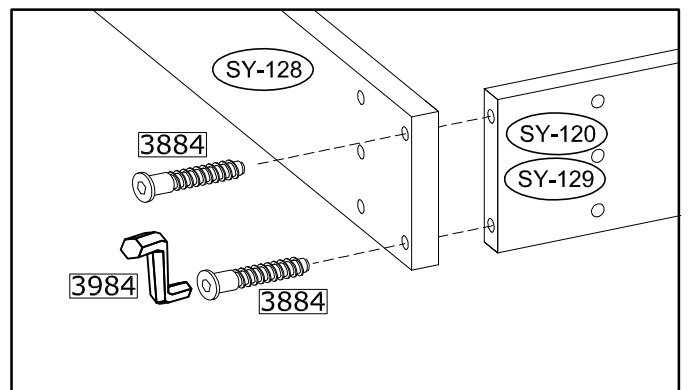
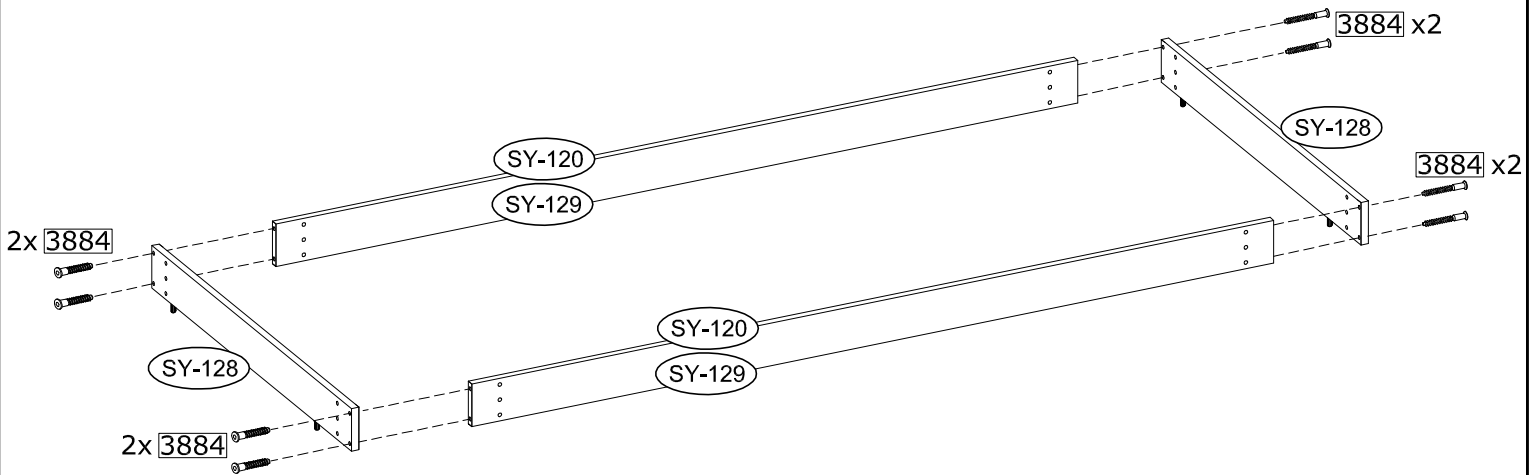
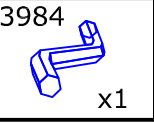
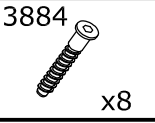
3989  x20	3983  x1	4057  x8		
---	--	--	--	--



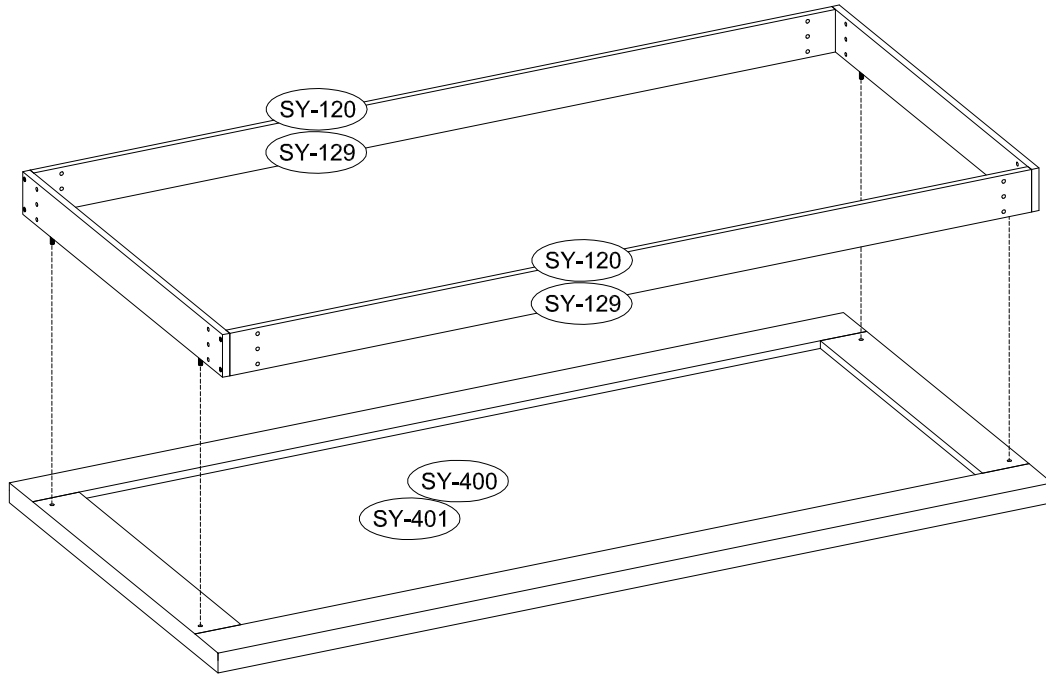
# 2



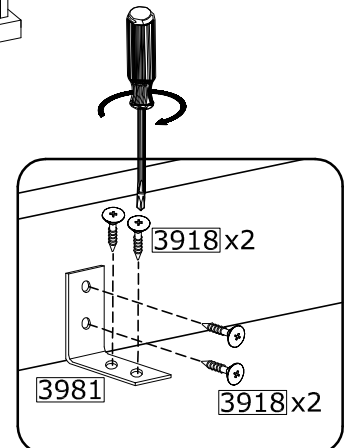
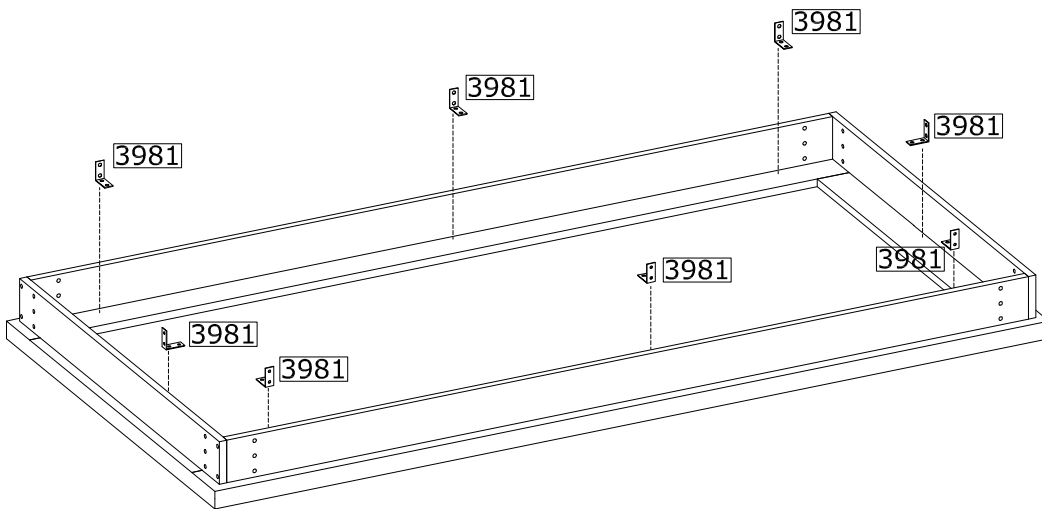
# 3



# 4



# 5

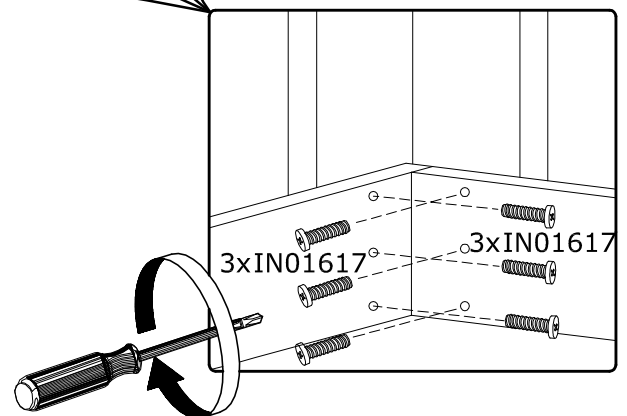
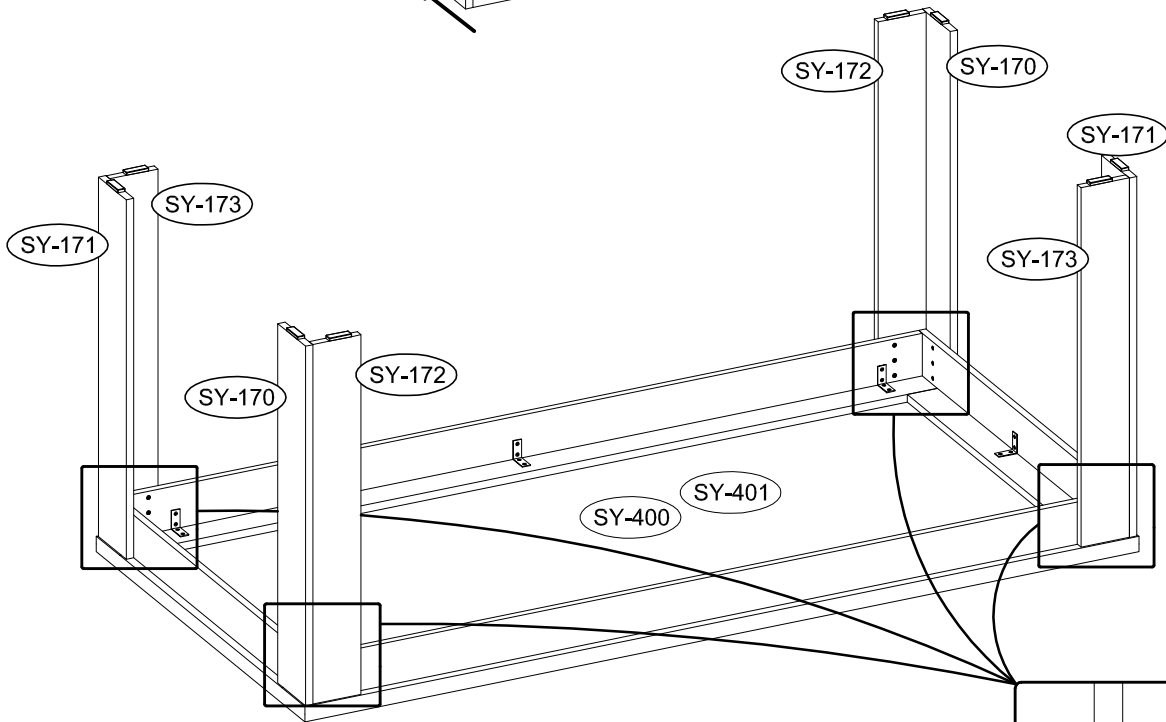
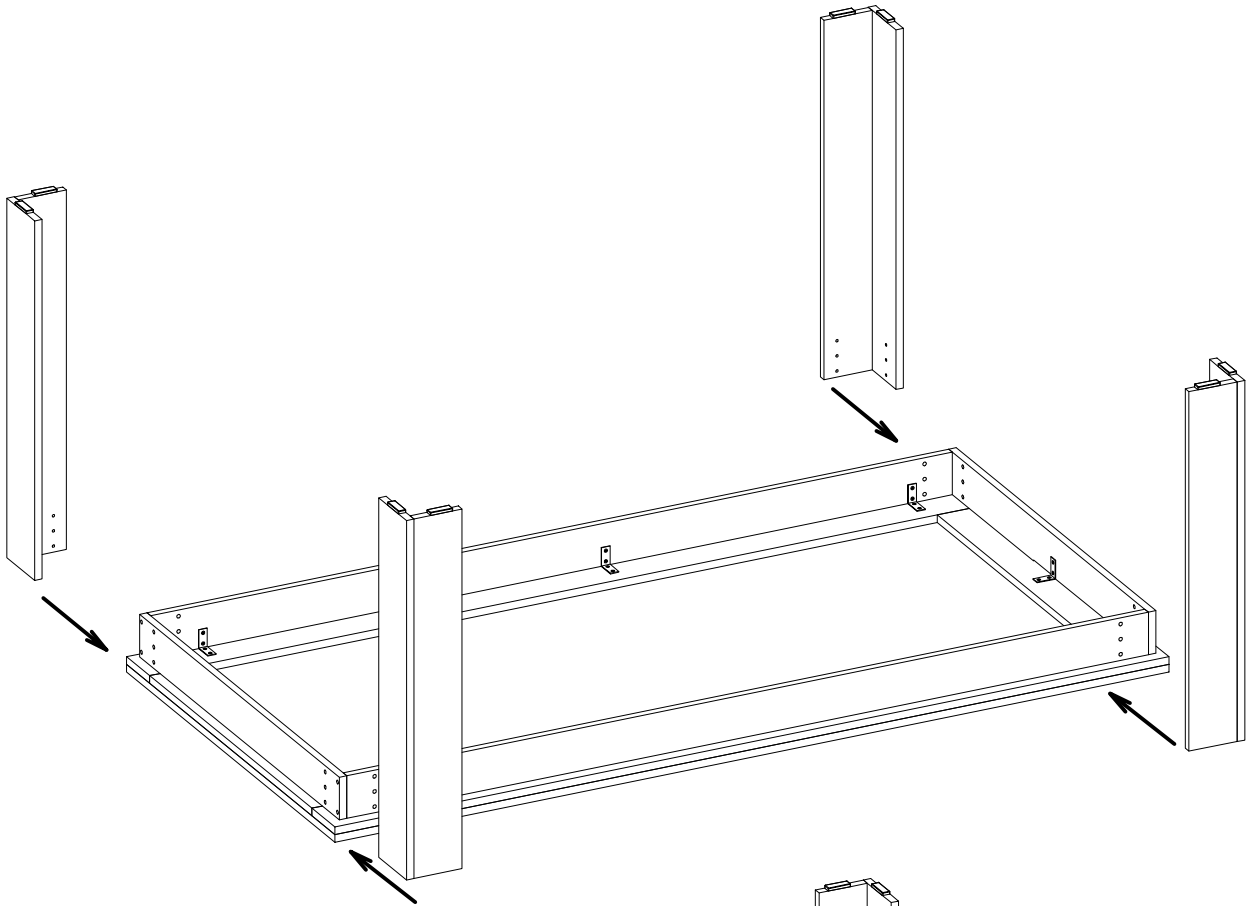
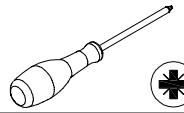


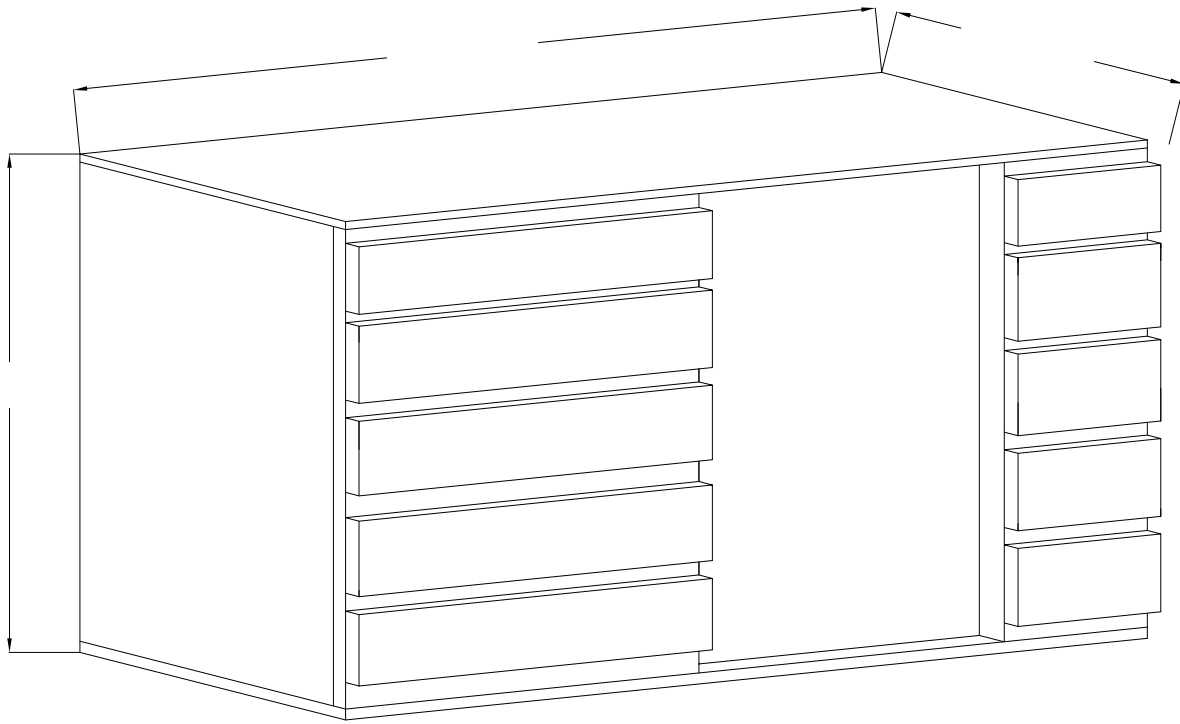
# 6

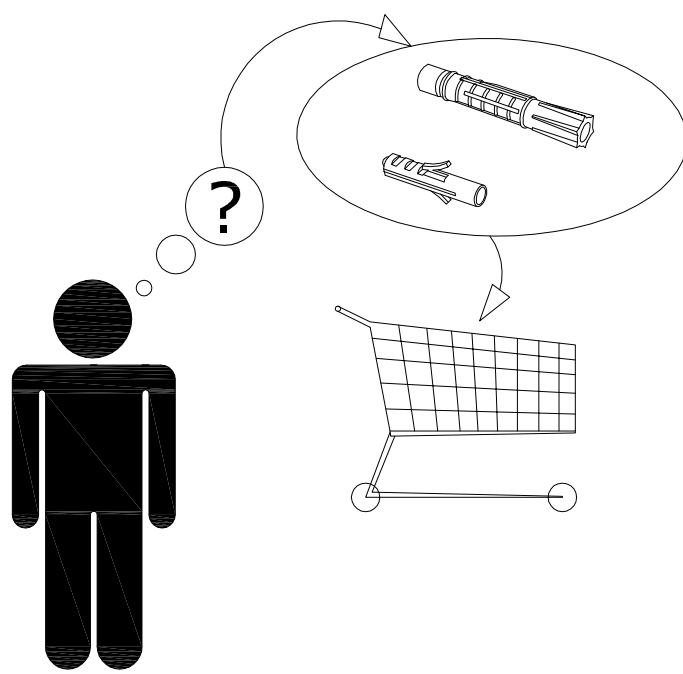
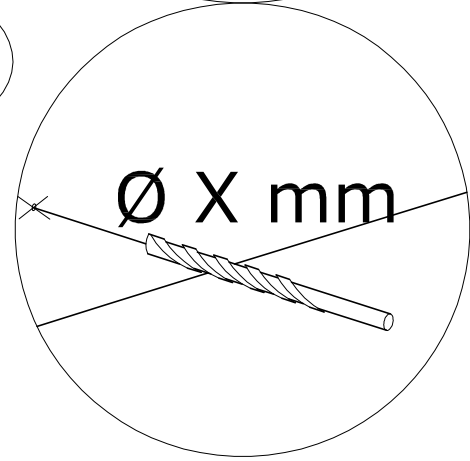
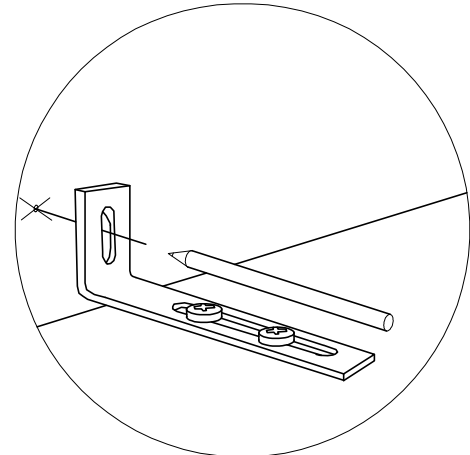
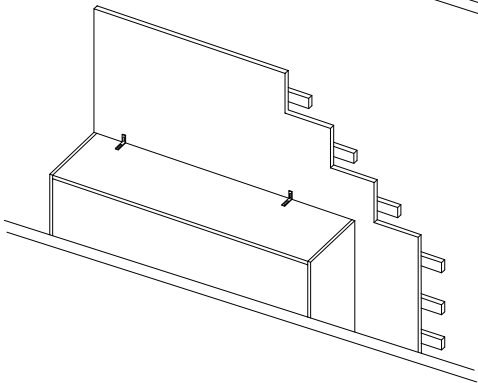
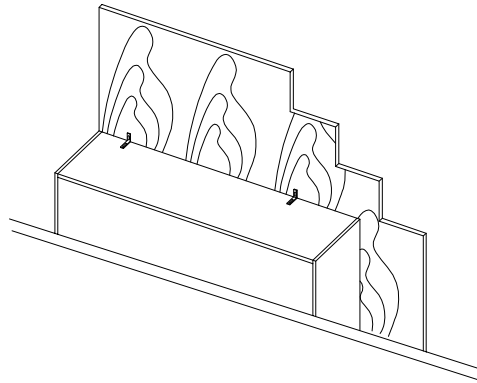
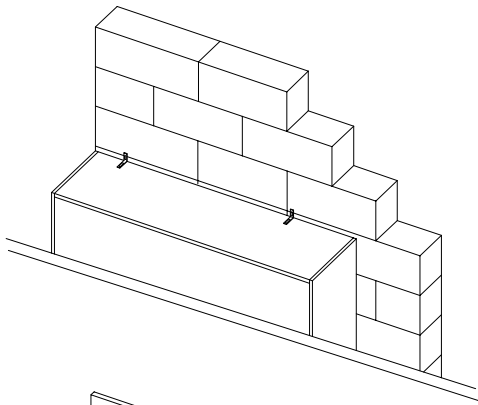
IN01617



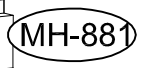
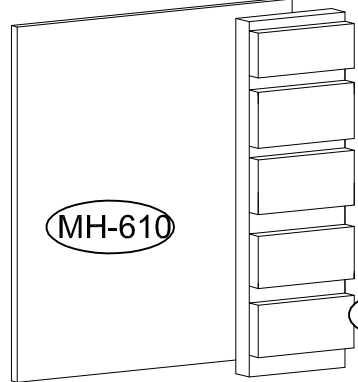
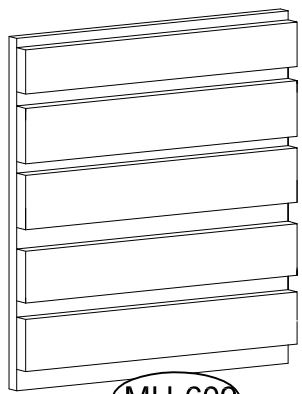
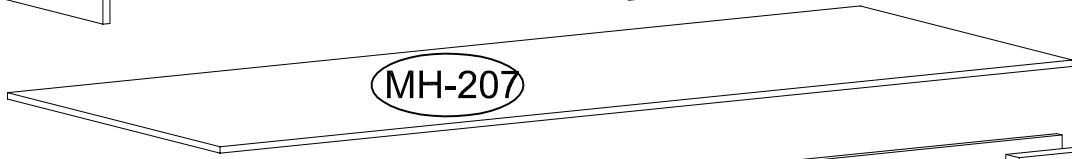
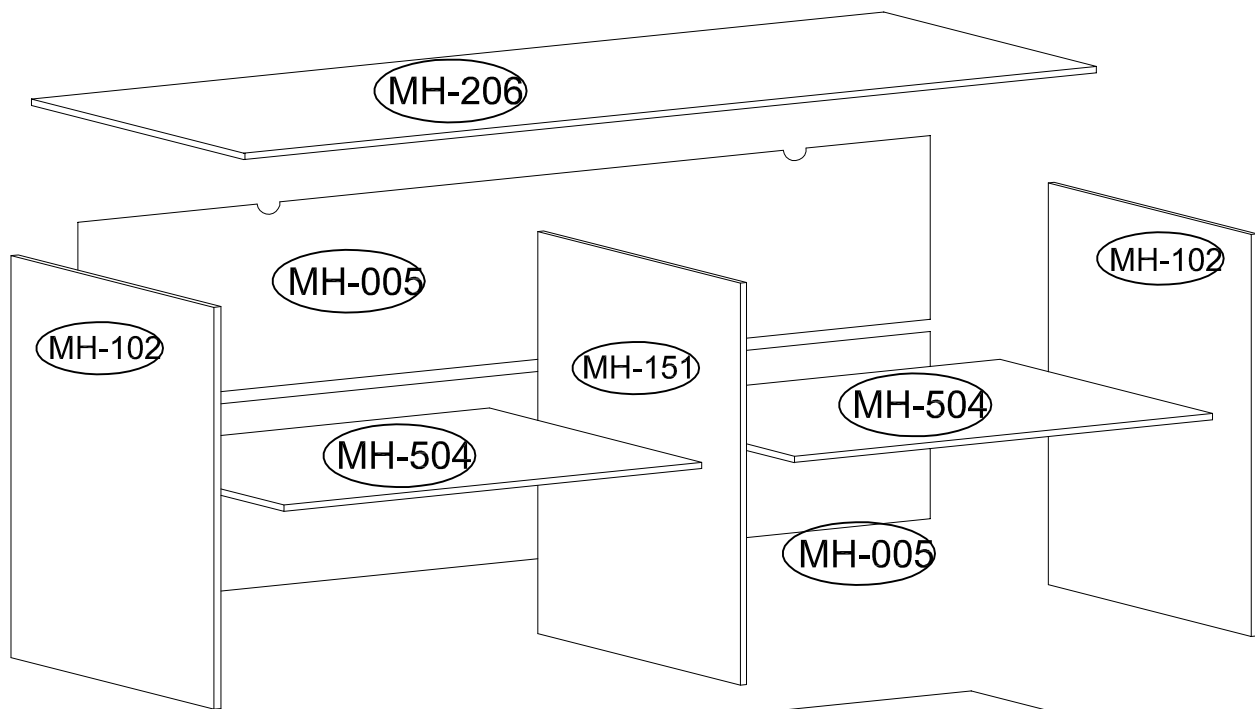
E-24







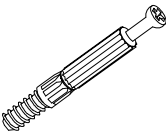


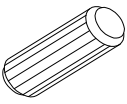
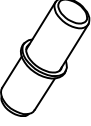
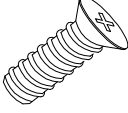
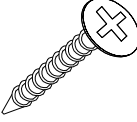
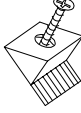
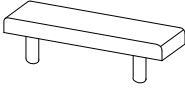
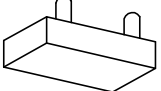
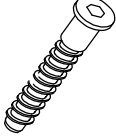
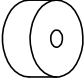

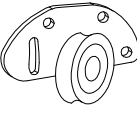
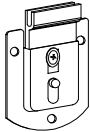
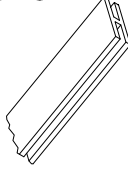
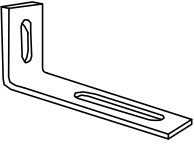
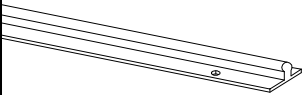
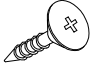



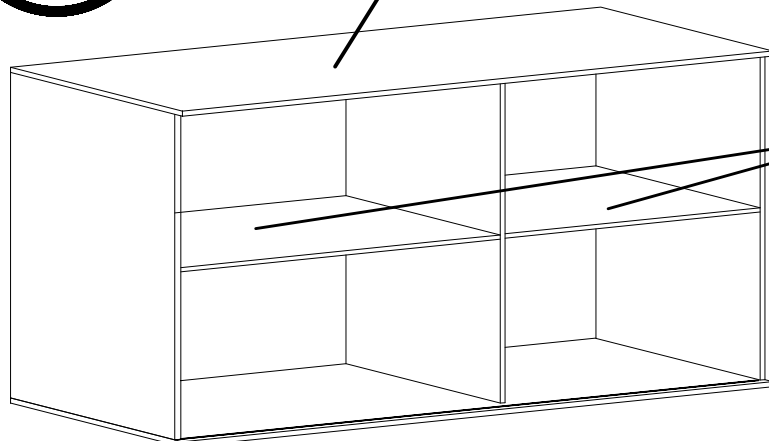
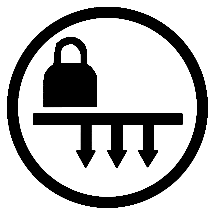


MH-609

MH-610

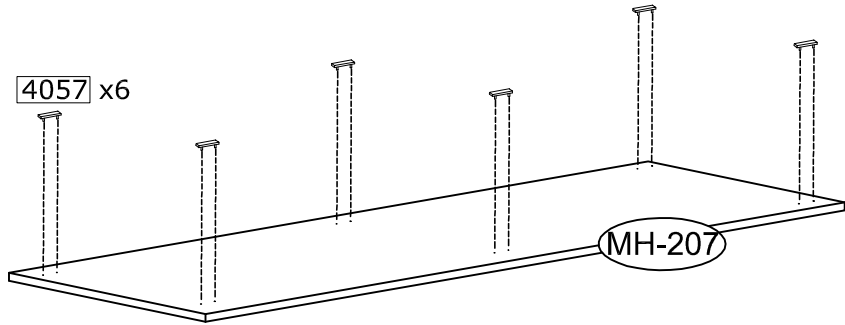
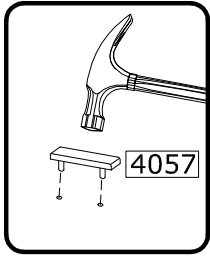
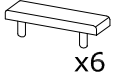
MH-881

<p>4066</p>  <p>Ø6.5x36.5mm x12</p>	<p>3996</p>  <p>Ø15x16mm x12</p>	<p>136236</p>  <p>Ø20 x12</p>	<p>3989</p>  <p>Ø8x30mm x12</p>
<p>4017</p>  <p>x8</p>	<p>3879</p>  <p>Ø6.3x13mm x4</p>	<p>3923</p>  <p>Ø4,0x16mm x32</p>	<p>4044</p>  <p>x16</p>
<p>4057</p>  <p>x6</p>	<p>IN01112</p>  <p>H-20 mm x1</p>	<p>3884</p>  <p>x6</p>	<p>IN01032</p>  <p>H-18 mm x6</p>
<p>3984</p>  <p>4 mm x1</p>	<p>IN01007</p>  <p>x4</p>	<p>IN01006</p>  <p>x4</p>	<p>IN00378</p>  <p>L-1566 mm x1</p>
<p>71900</p>  <p>x2</p>	<p>83656</p>  <p>L-1566mm x4</p>	<p>3912</p>  <p>Ø3,0x13mm x20</p>	<p>3919</p>  <p>Ø3,5x20mm x5</p>



# 1

4057

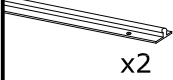


# 2

4066



83656

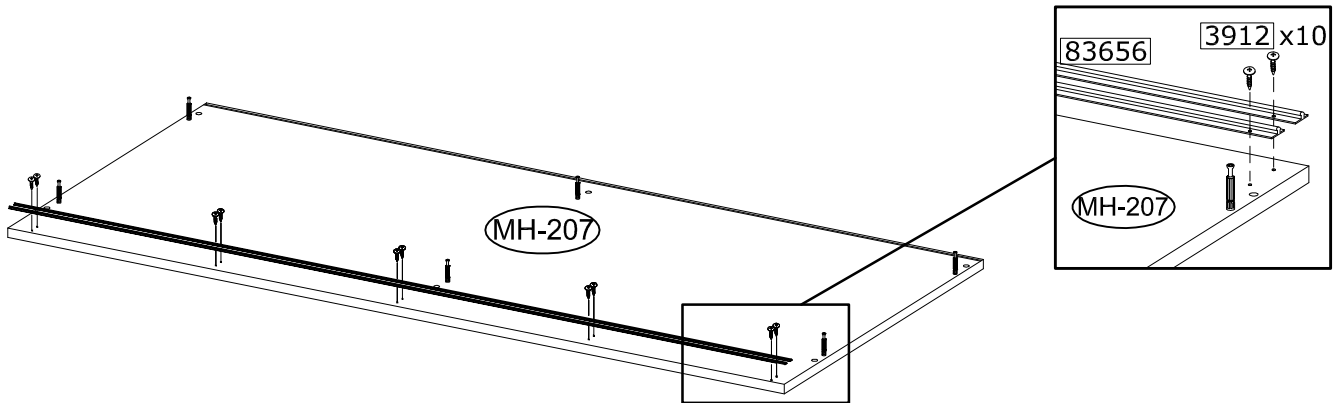
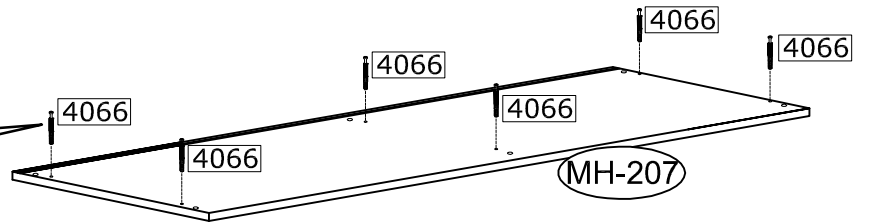
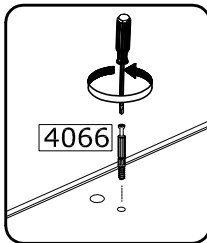


x2

3912



3,0X13 x10



# 3

4017

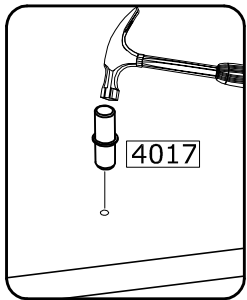


x4

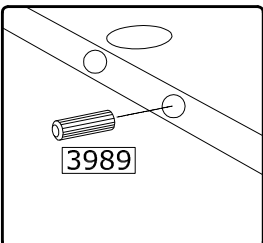
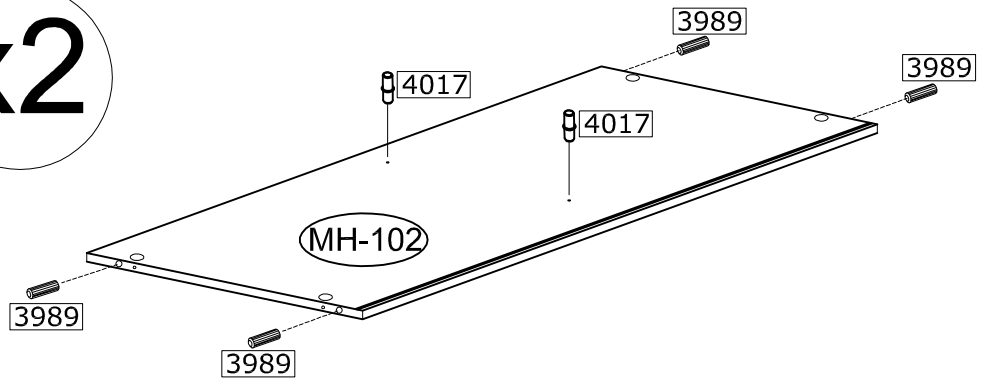
3989



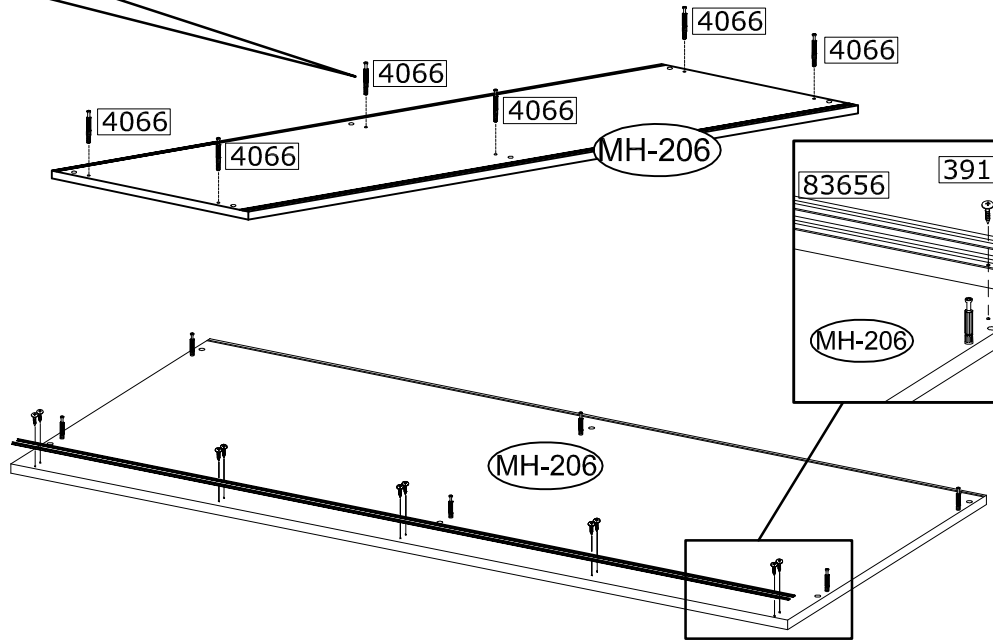
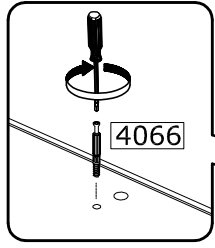
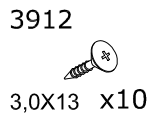
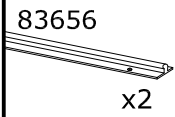
x8



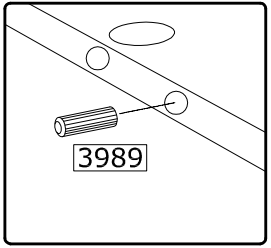
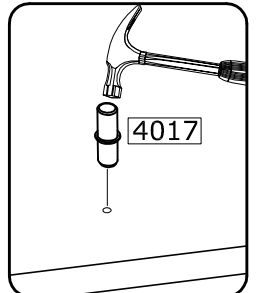
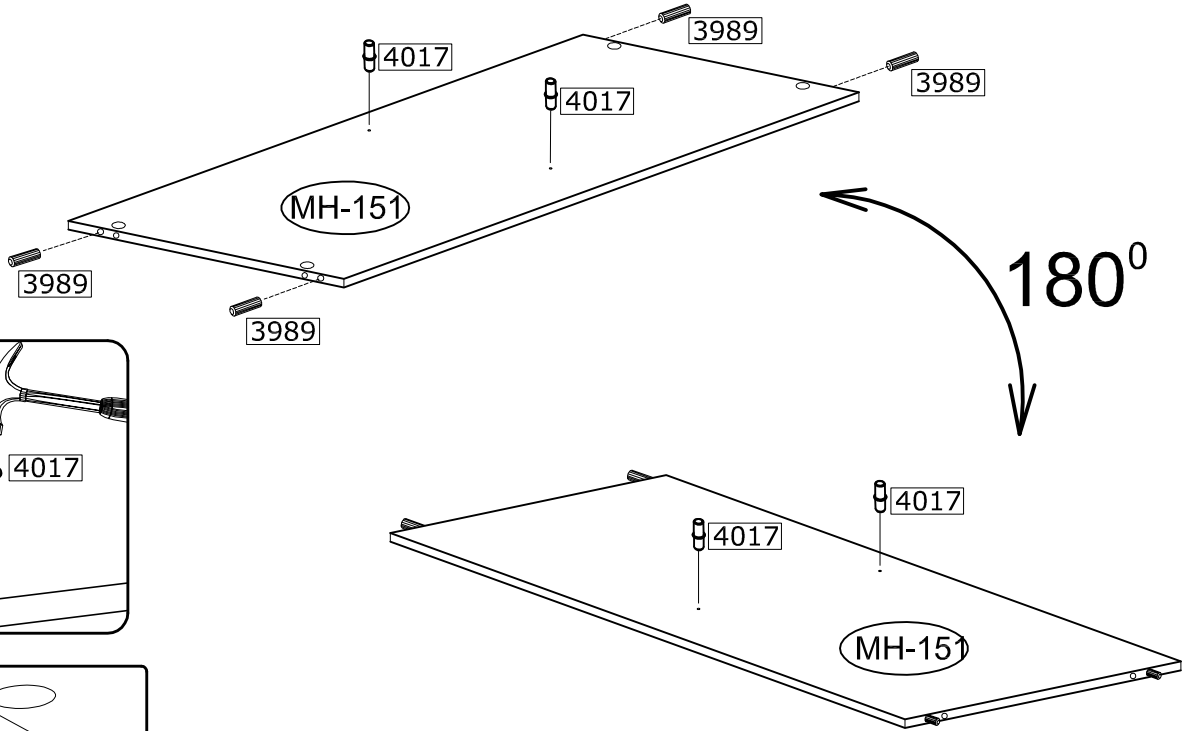
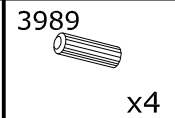
x2



# 4



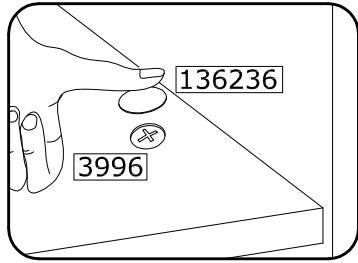
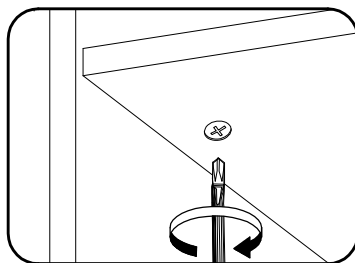
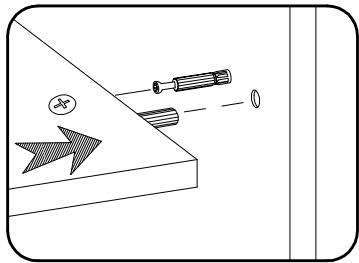
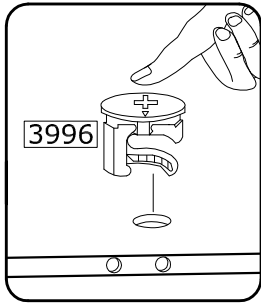
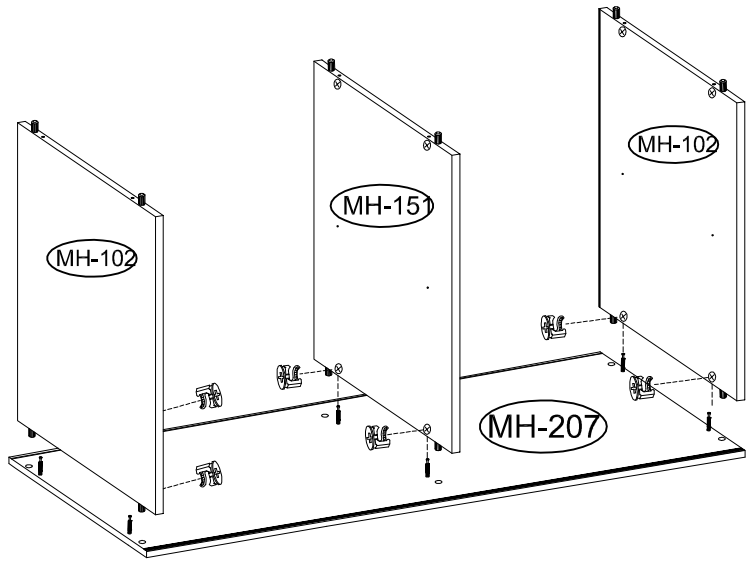
# 5



# 6

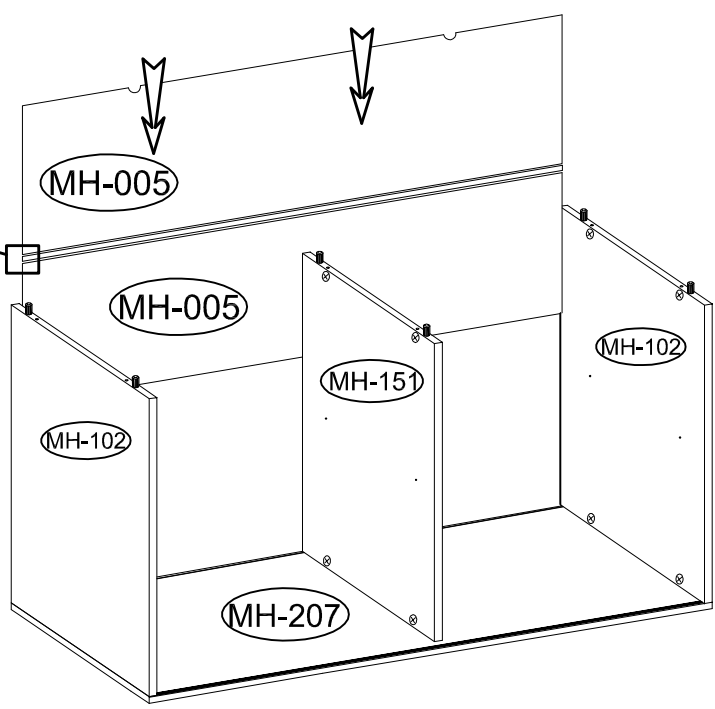
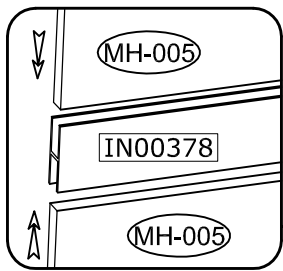
3996  
x6

136236  
x6

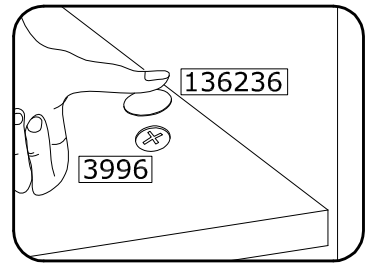
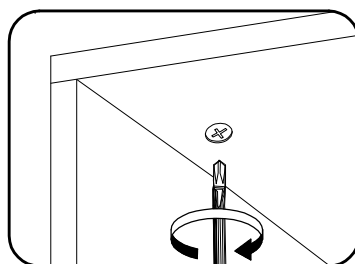
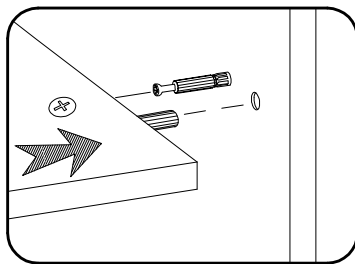
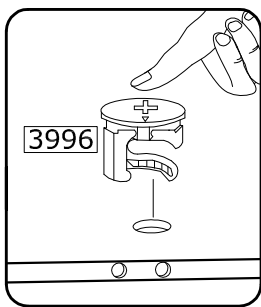
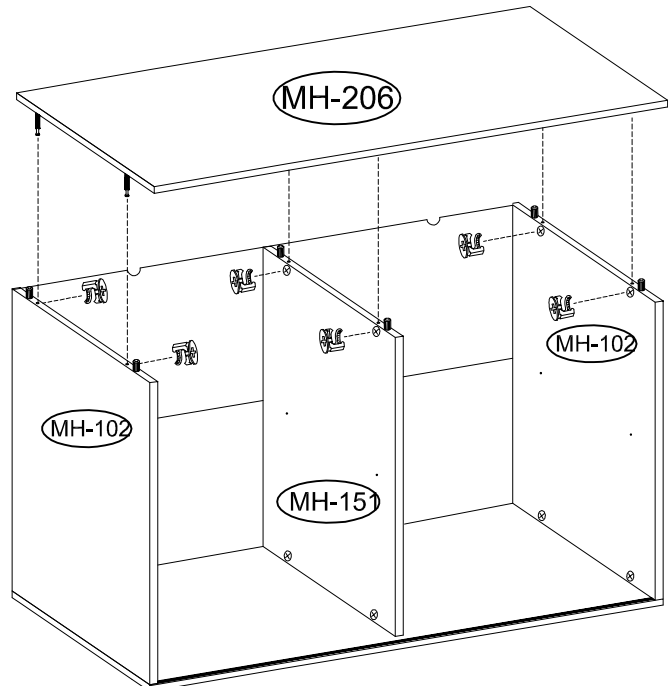
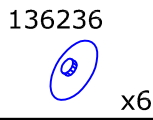
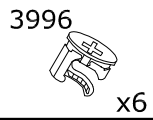


# 7

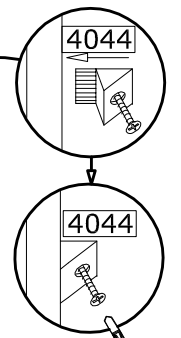
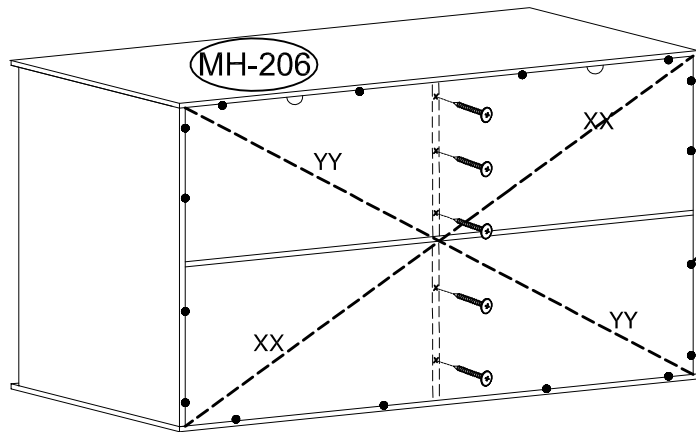
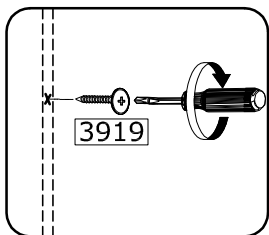
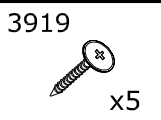
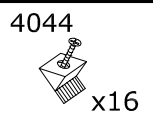
IN00378  
x1



# 8

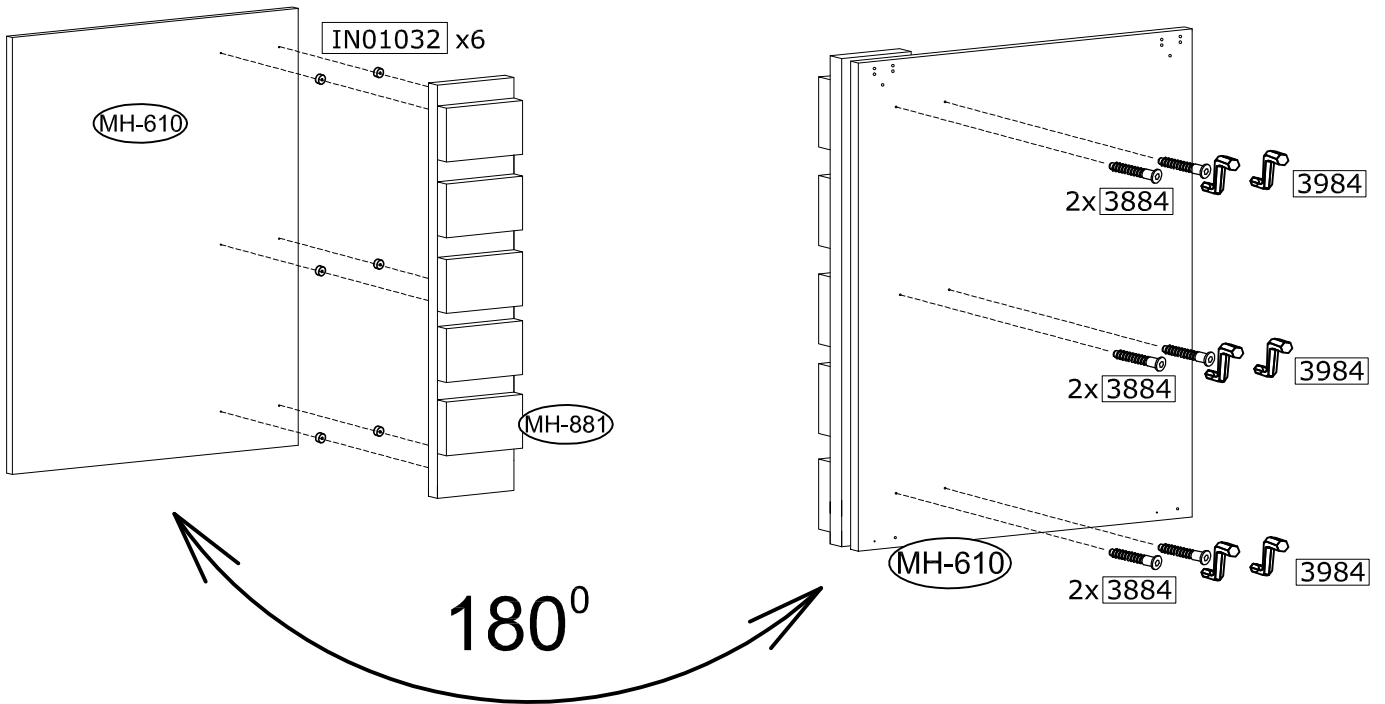


# 9








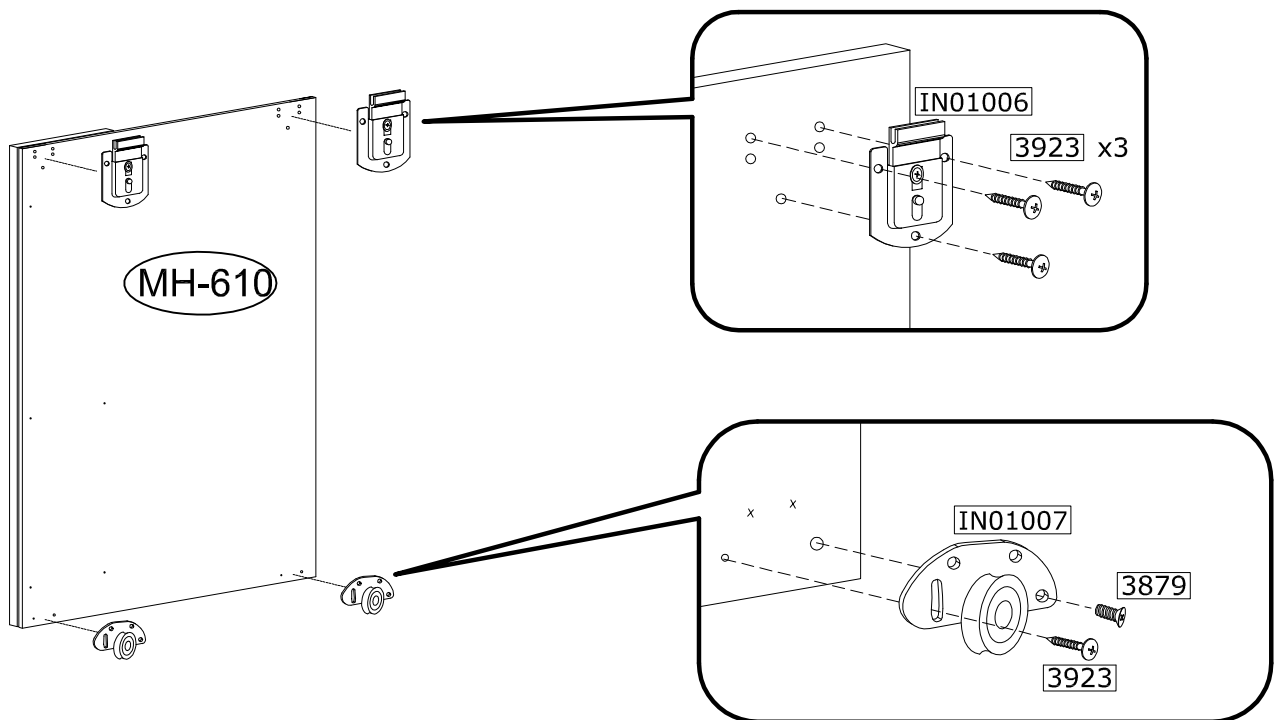
# 10

IN01032  x6	3884  x6	3984  x1		
---	--	--	--	--

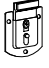






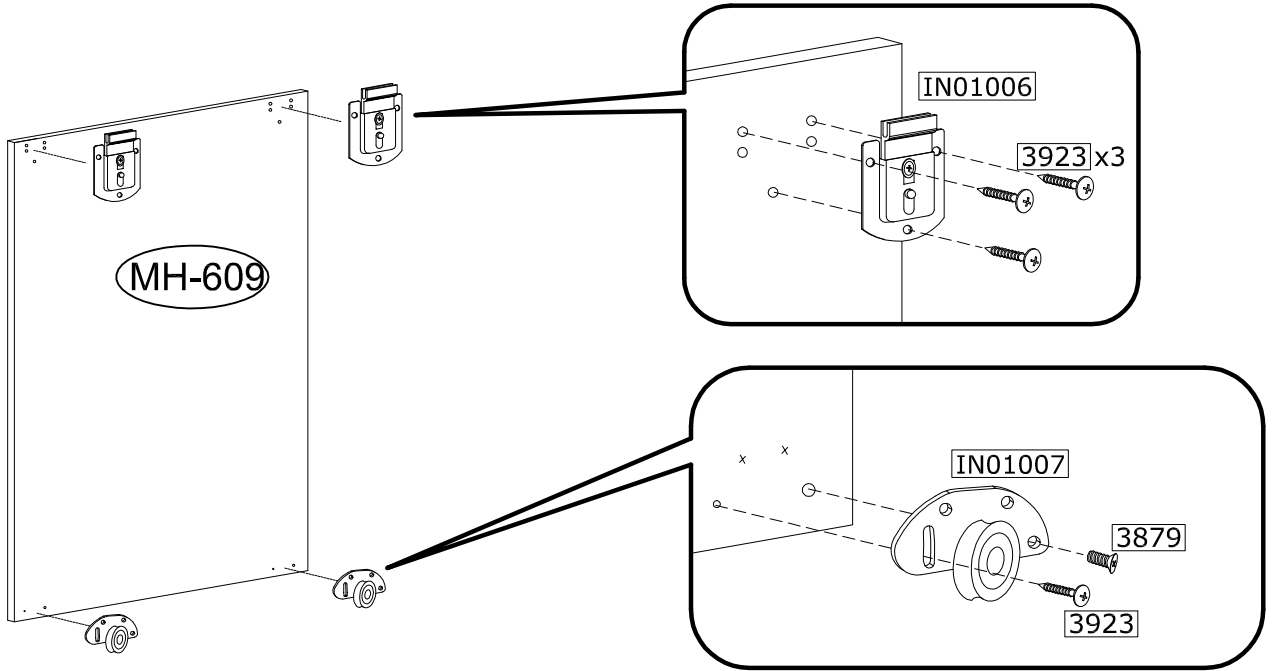
# 11

IN01006  x2	IN01007  x2	3923  x8	3879  x2		
--	--	---	---	--	---



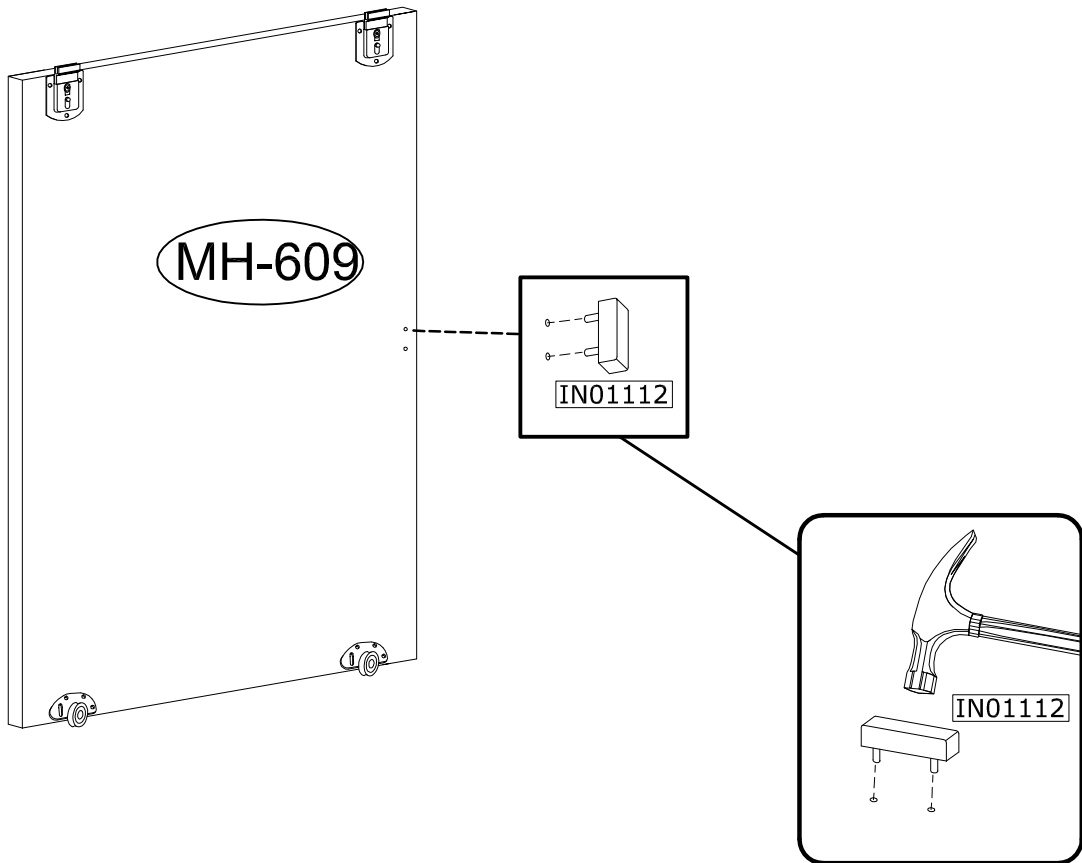
# 12

IN01006  x2	IN01007  x2	3923  x8	3879  x4	
---	---	--	--	---



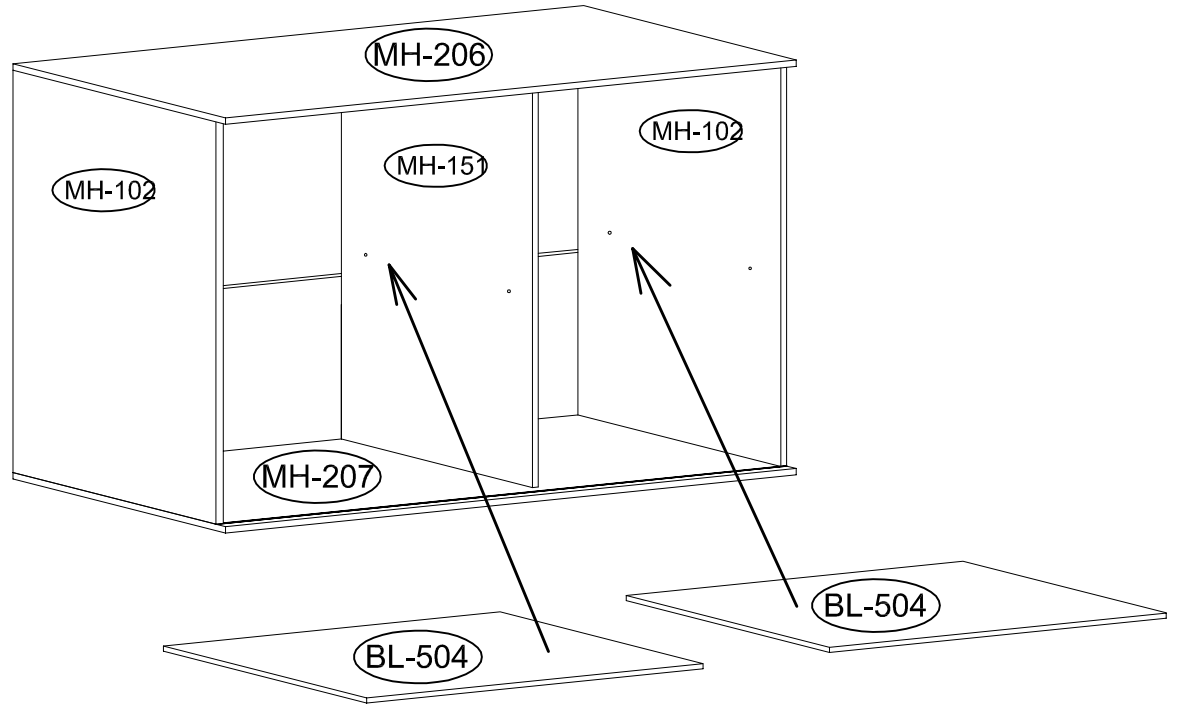
# 13

IN01112  x1		
--	--	---





# 14

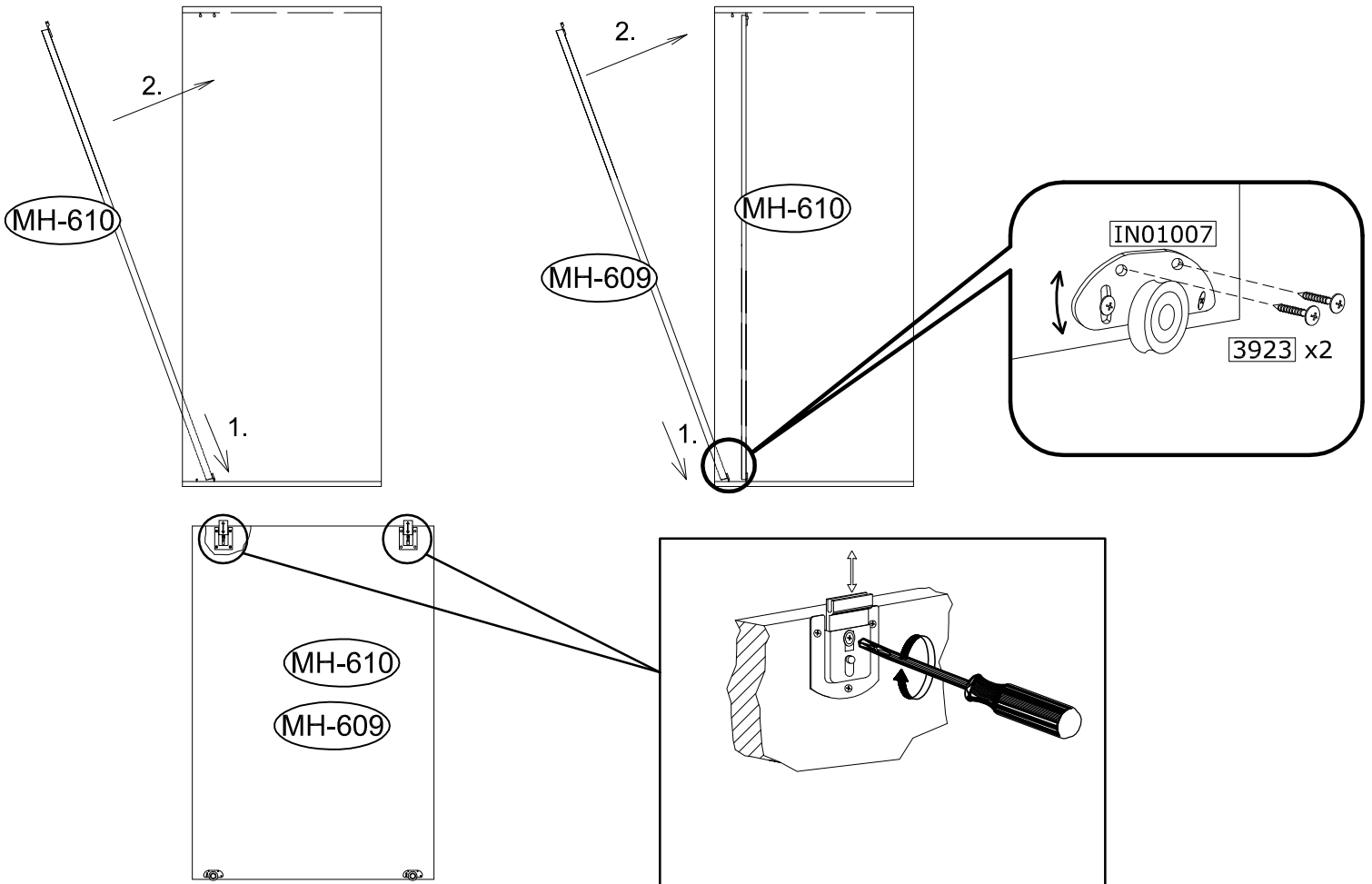


# 15

3923



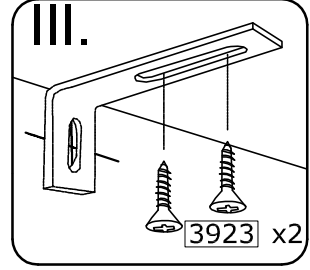
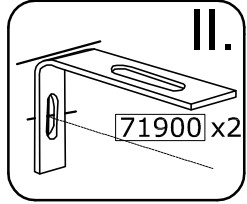
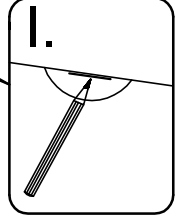
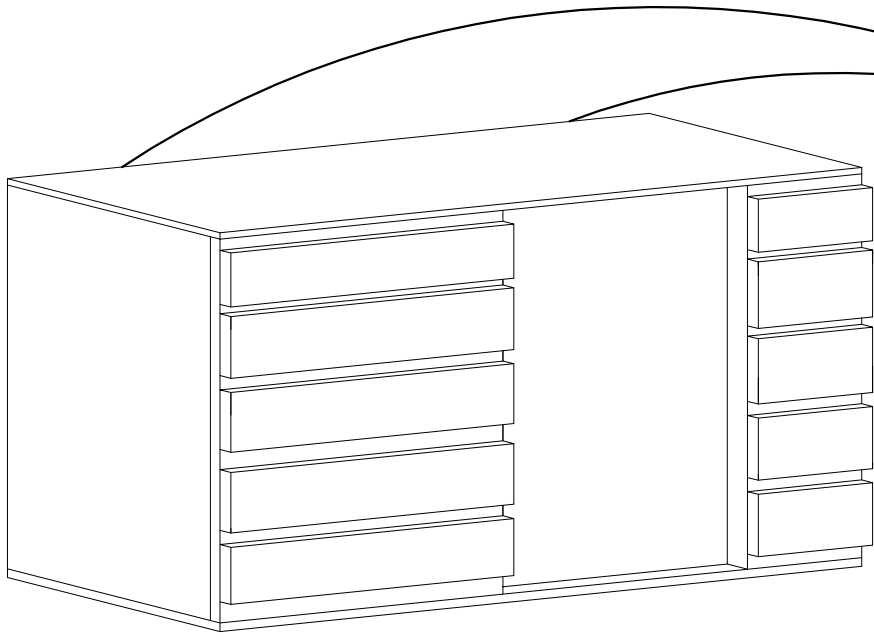
x8

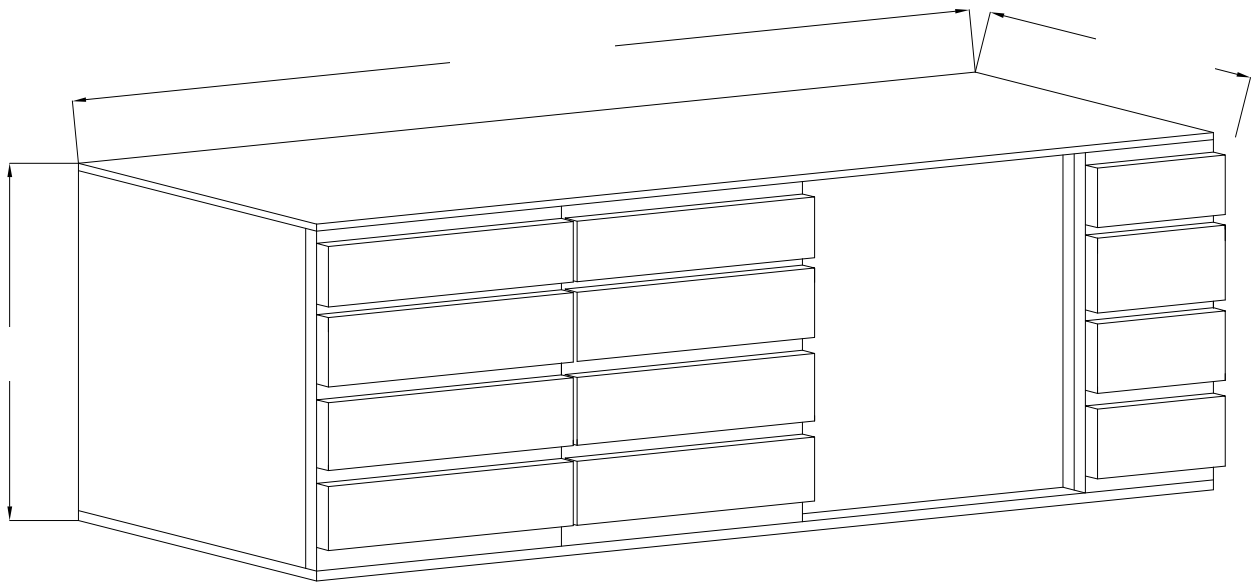


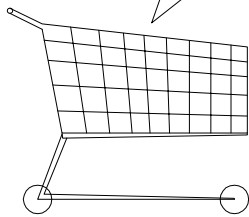
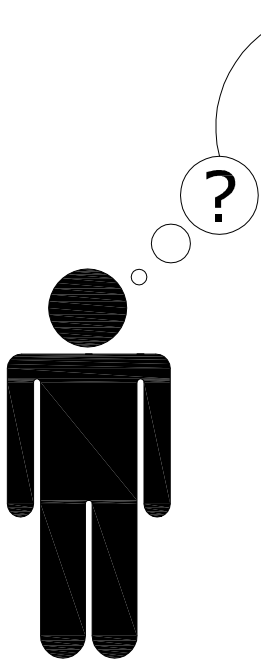
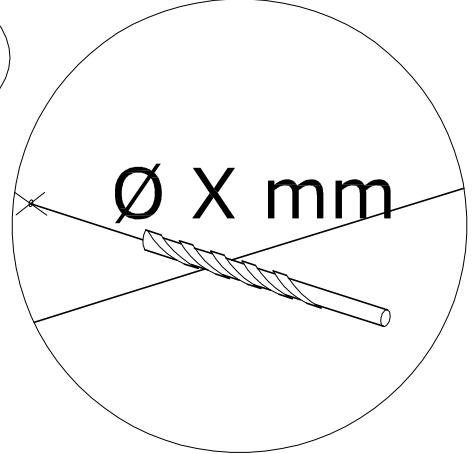
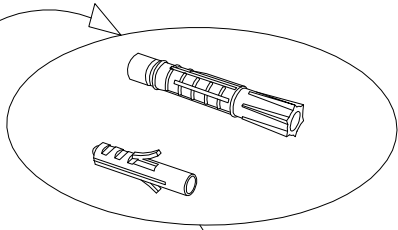
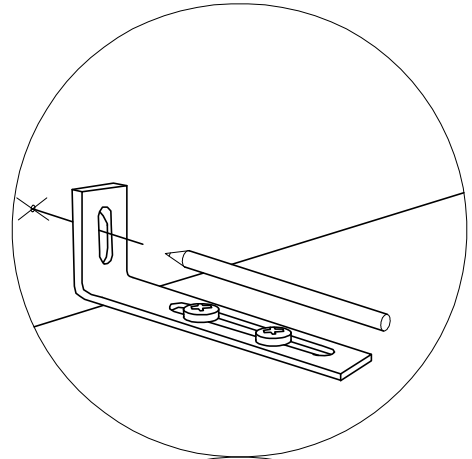
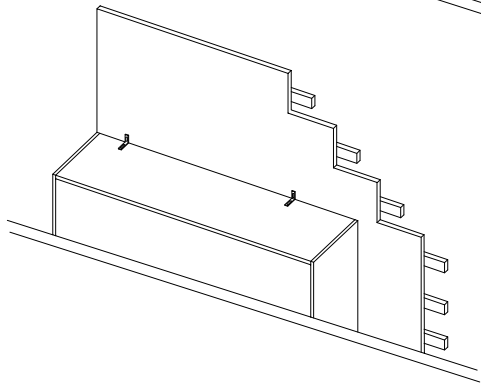
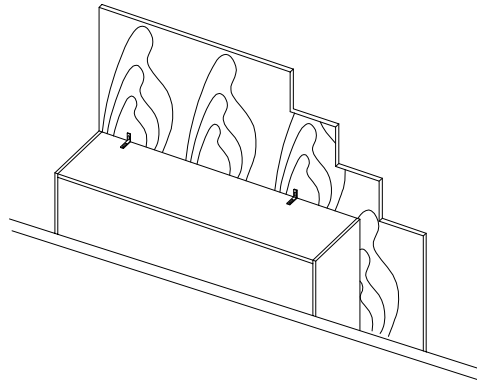
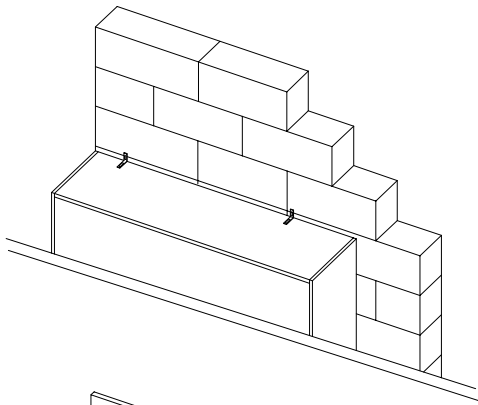
# 16

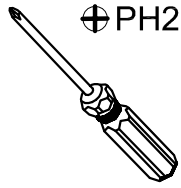
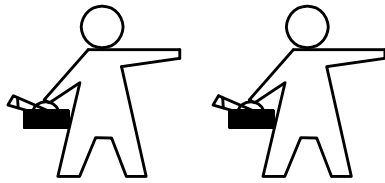
71900  
x2

3923  
x4

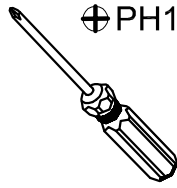




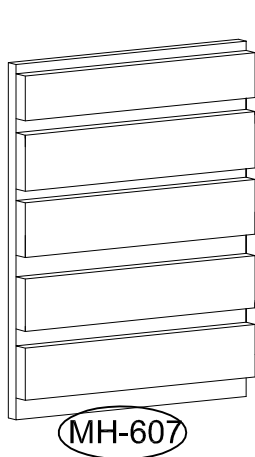
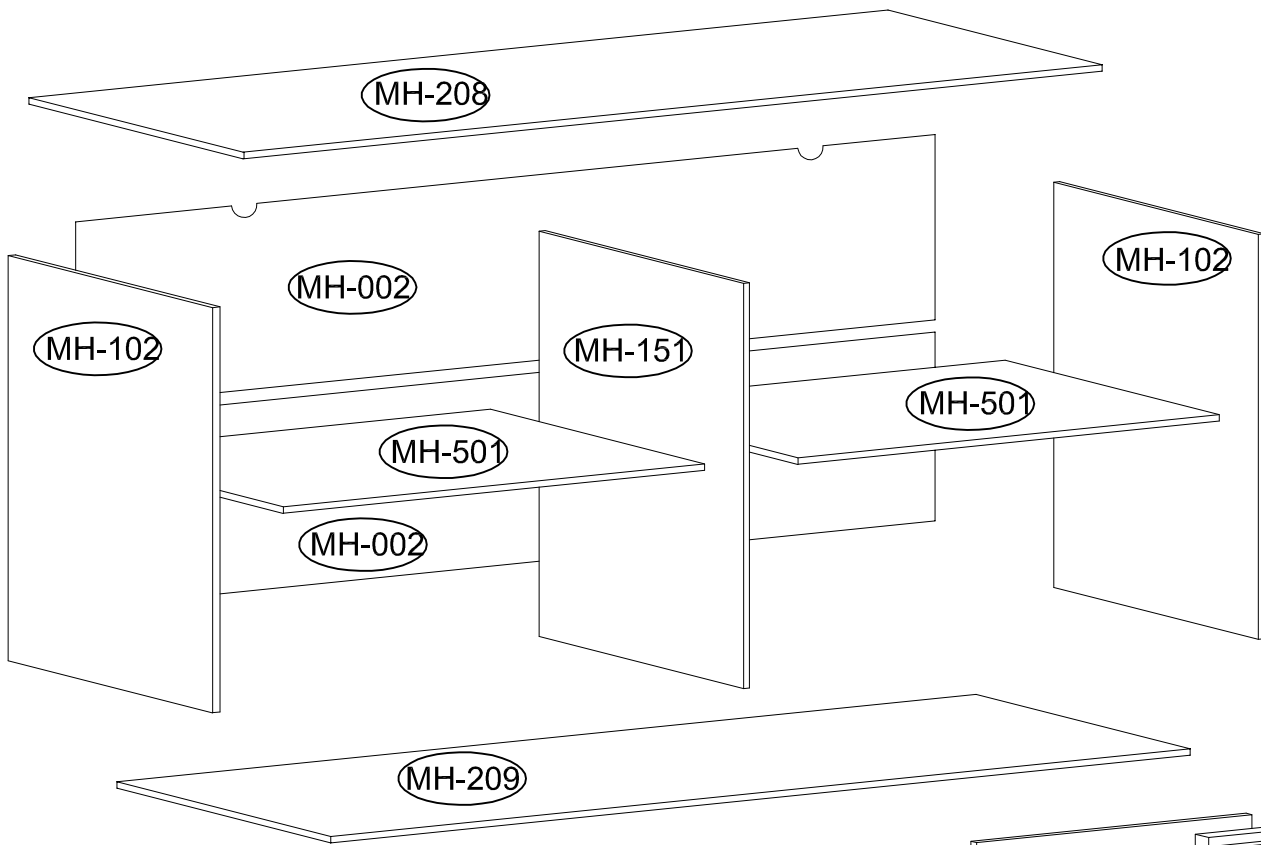
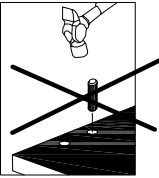
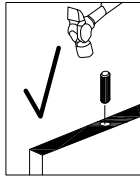
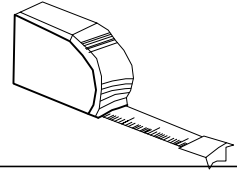




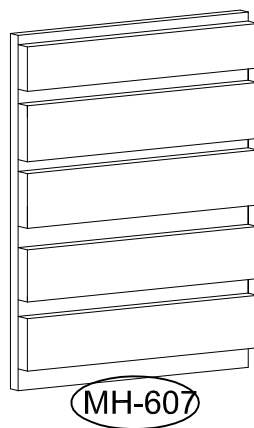
PH2



PH1



MH-607

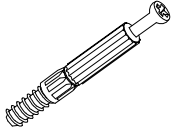


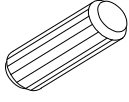
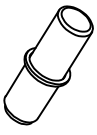
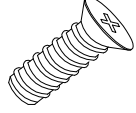

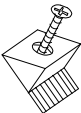
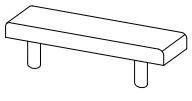
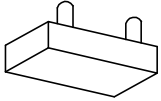
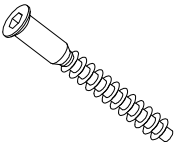
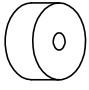

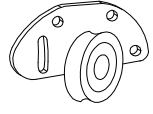
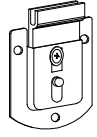
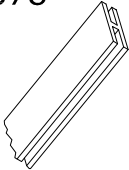
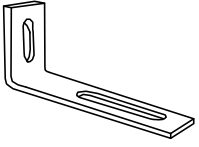
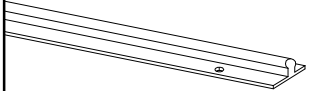
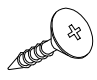



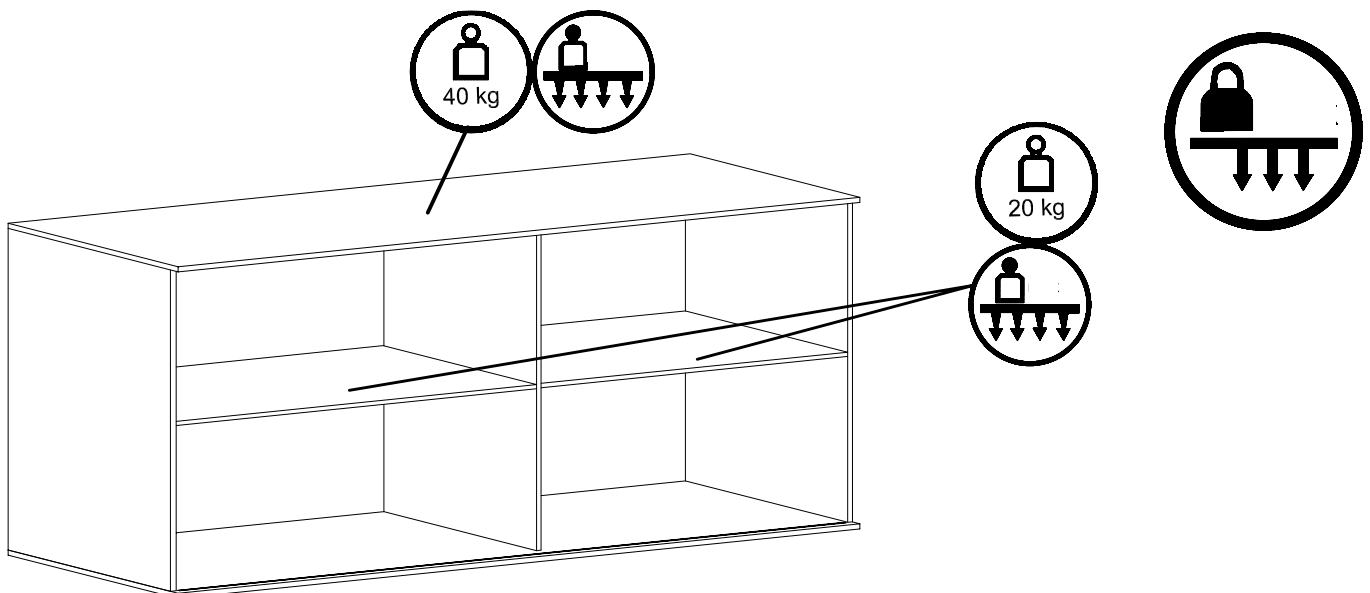
MH-607



MH-608

MH-881

<p>4066</p>  <p>Ø6.5x36.5mm x12</p>	<p>3996</p>  <p>Ø15x12mm x12</p>	<p>136236</p>  <p>Ø20 x12</p>	<p>3989</p>  <p>Ø8x30mm x12</p>
<p>4017</p>  <p>x8</p>	<p>3879</p>  <p>Ø6.3x13mm x6</p>	<p>3923</p>  <p>Ø4,0x16mm x46</p>	<p>4044</p>  <p>x20</p>
<p>4057</p>  <p>x10</p>	<p>IN01112</p>  <p>H-20 mm x1</p>	<p>3884</p>  <p>x6</p>	<p>IN01032</p>  <p>x6</p>
<p>3984</p>  <p>4 mm x1</p>	<p>IN01007</p>  <p>x6</p>	<p>IN01006</p>  <p>x6</p>	<p>IN00378</p>  <p>L-2160 mm x1</p>
<p>71900</p>  <p>x2</p>	<p>83657</p>  <p>x4</p>	<p>3912</p>  <p>Ø3,0x13mm x28</p>	<p>3919</p>  <p>Ø3,5x20mm x5</p>

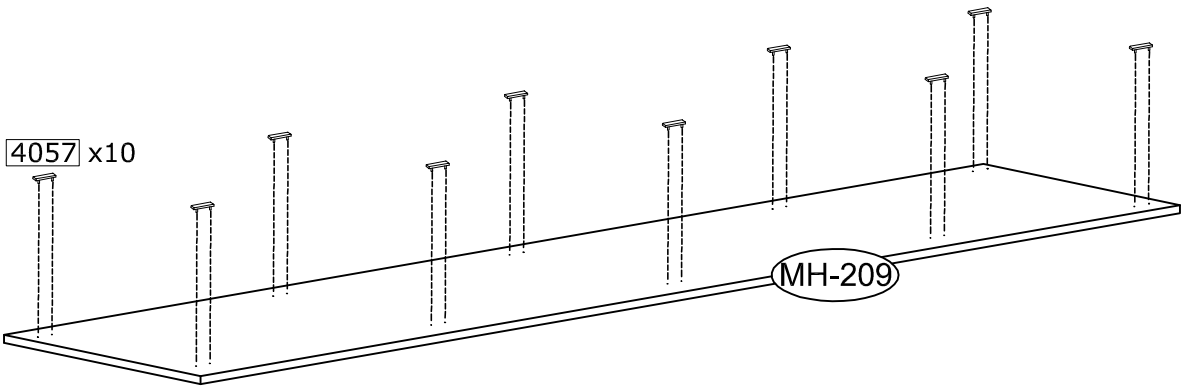
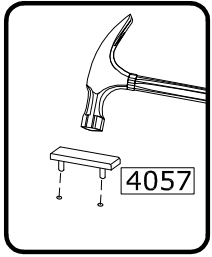


# 1

4057



x10



# 2

4066



x6

83657

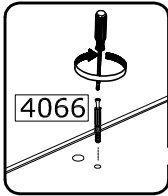


x2

3912

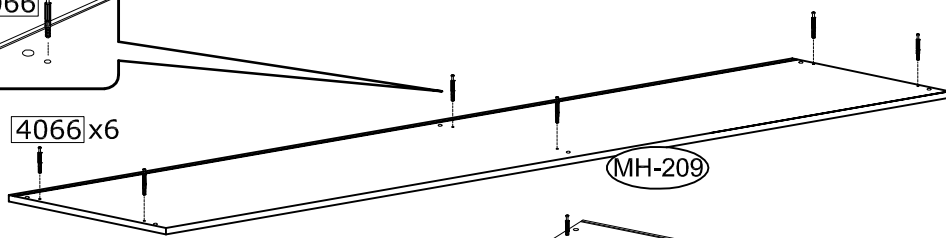


3,0X13 x14



4066

4066 x6



83657

3912 x14

MH-202

# 3

4017

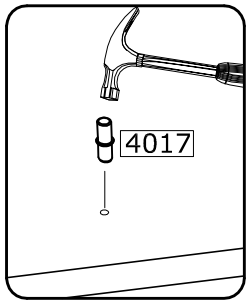


x4

3989

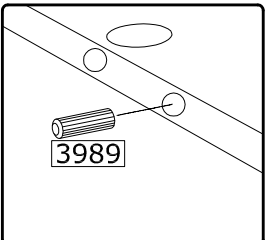


x8

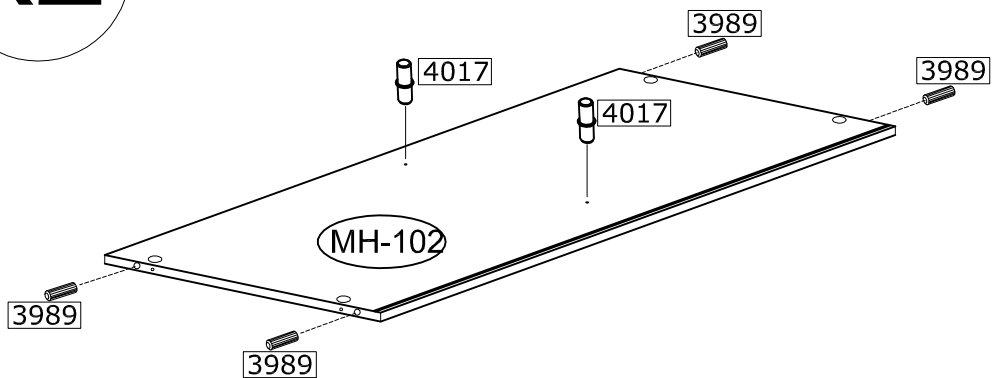


4017

x2



3989



3989

4017

4017

3989

3989

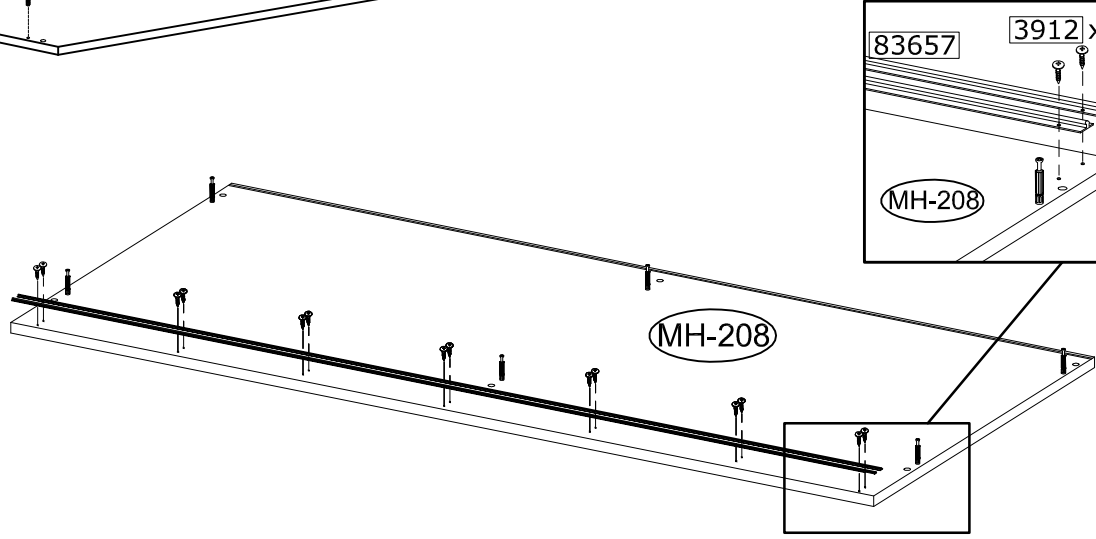
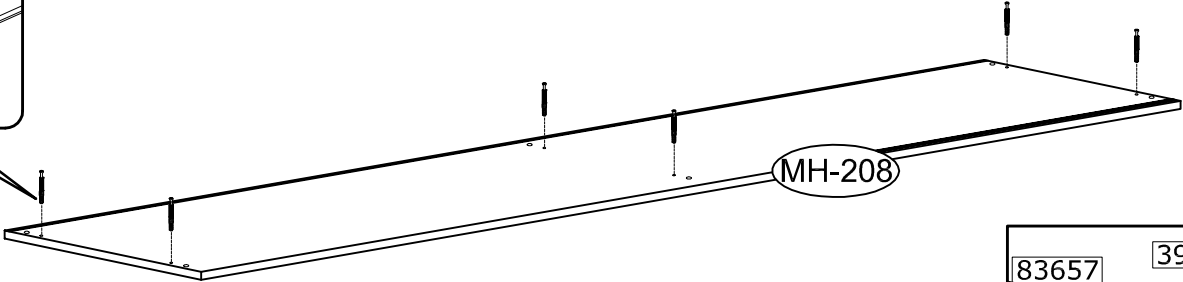
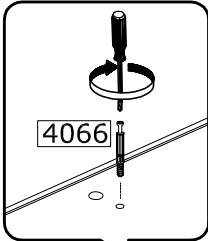
3989

# 4

4066  
x6

83657  
x2

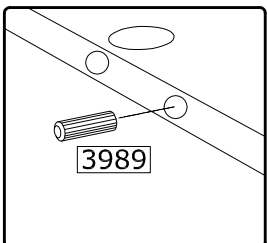
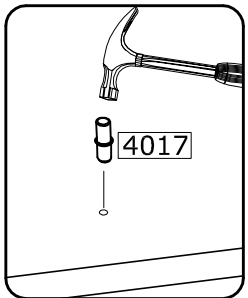
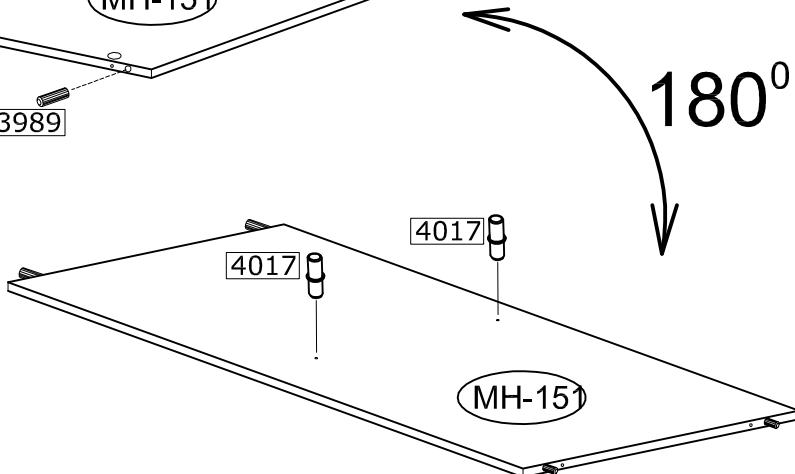
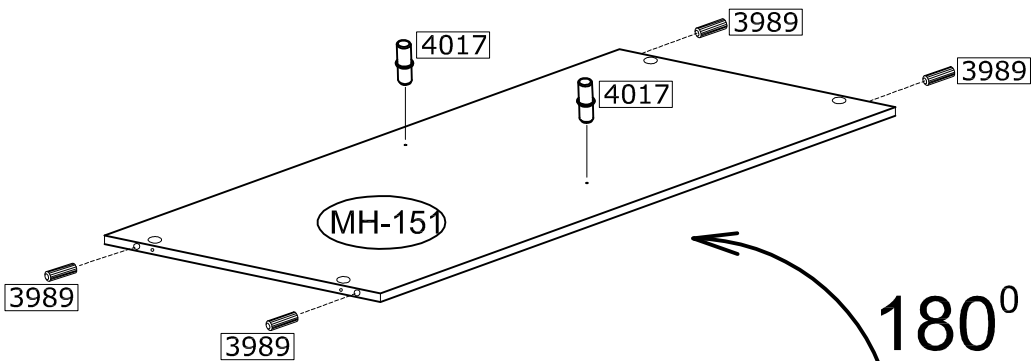
3912  
x14



# 5

4017  
x4

3989  
x4

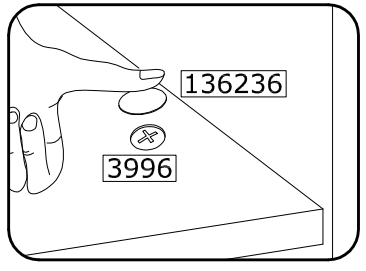
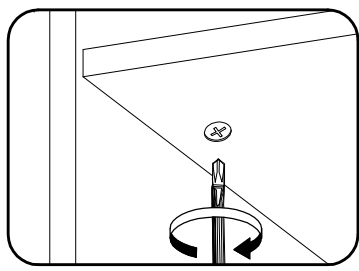
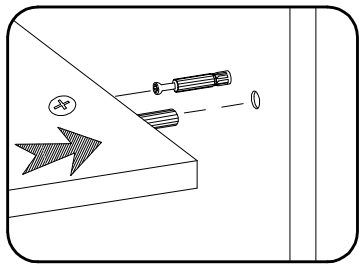
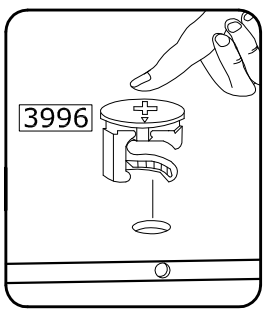
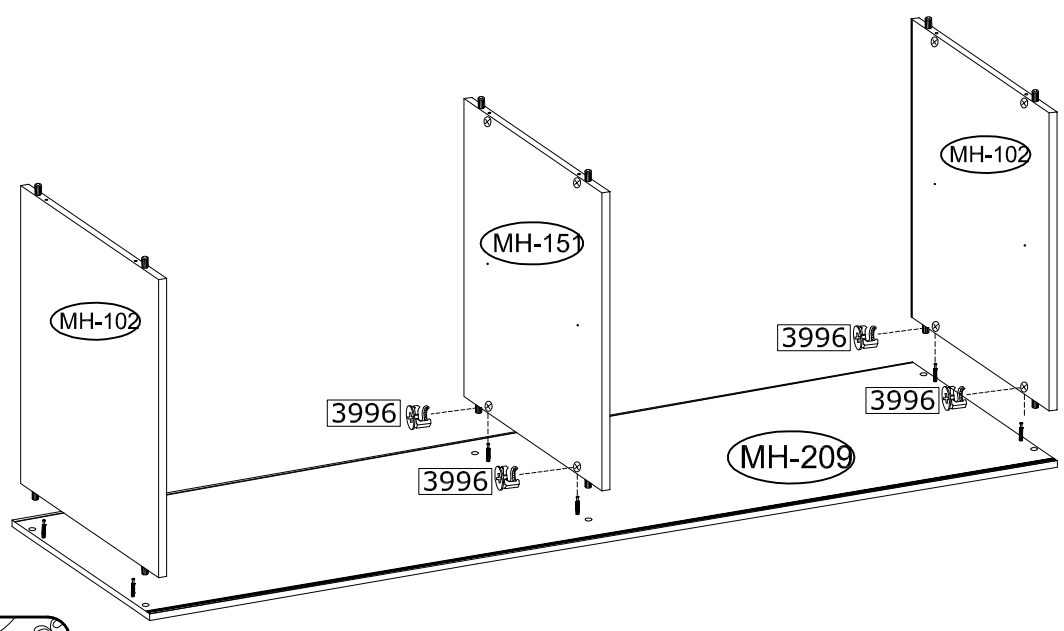




# 6

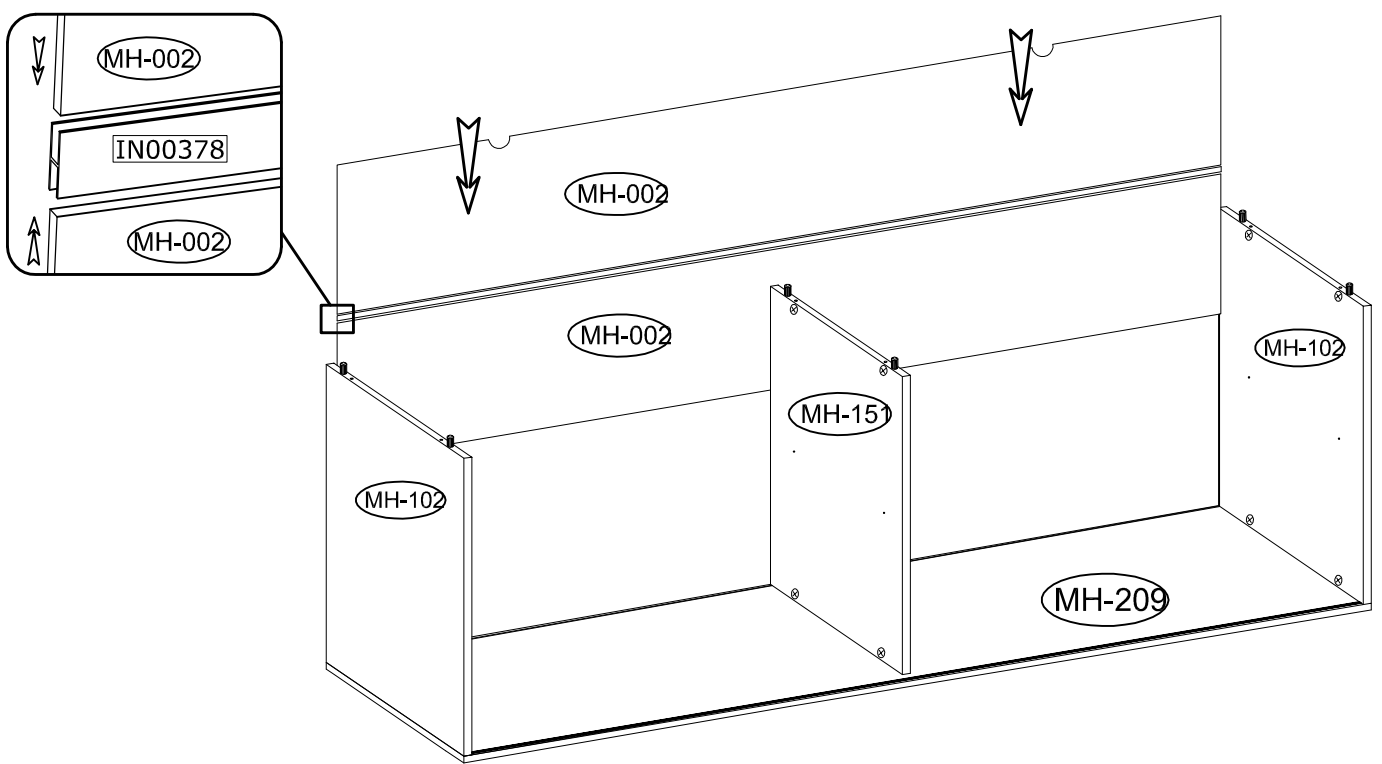
3996  
x6

136236  
x6



# 7

IN00378  
x1



# 8

3996

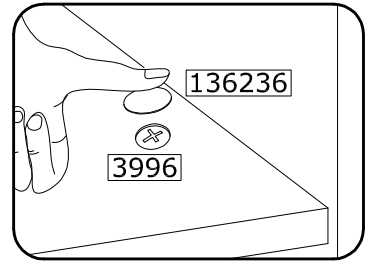
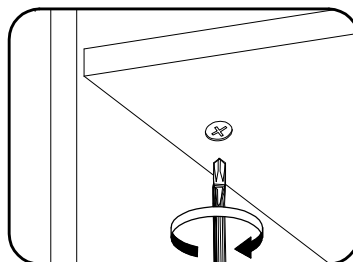
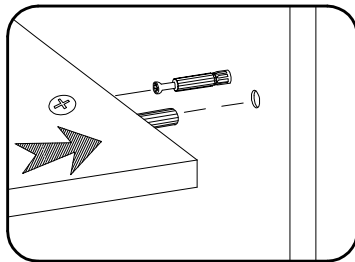
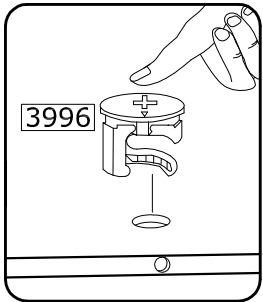
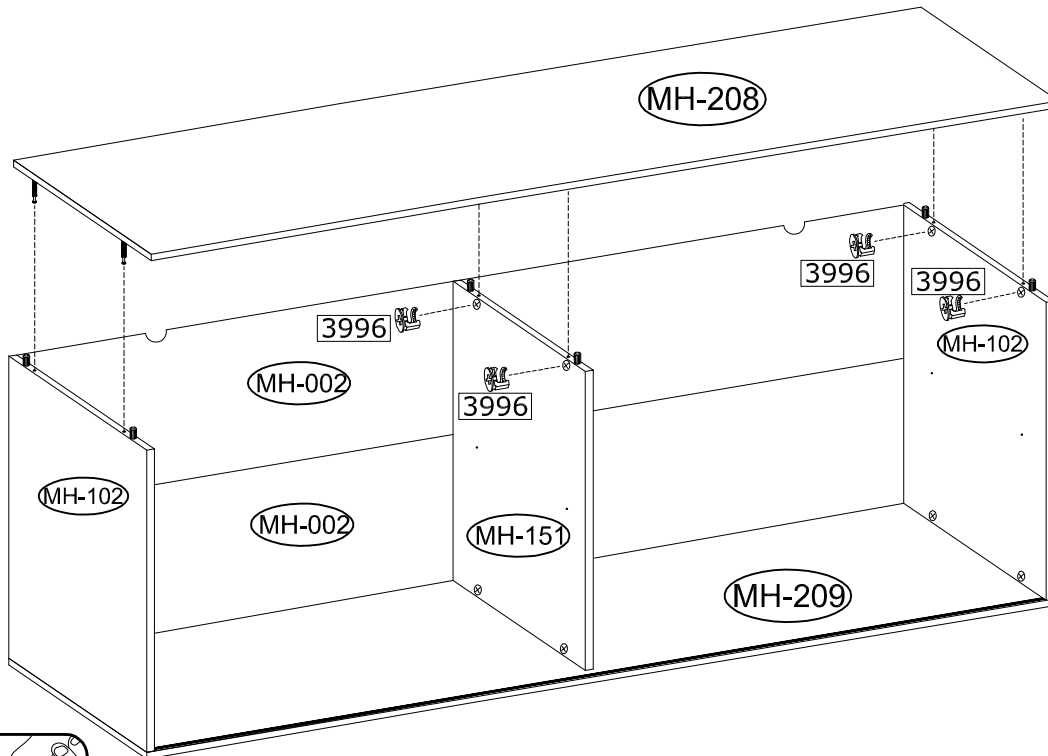


x6

136236



x6



# 9

4044

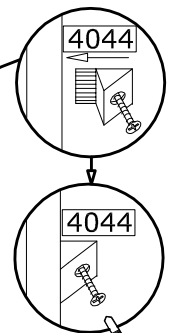
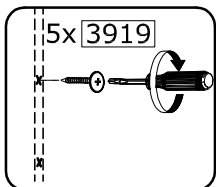
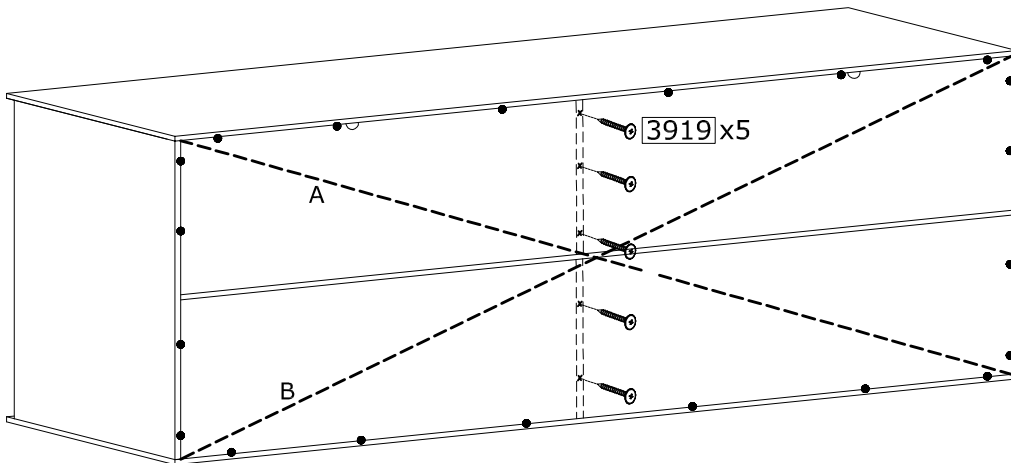


x20

3919

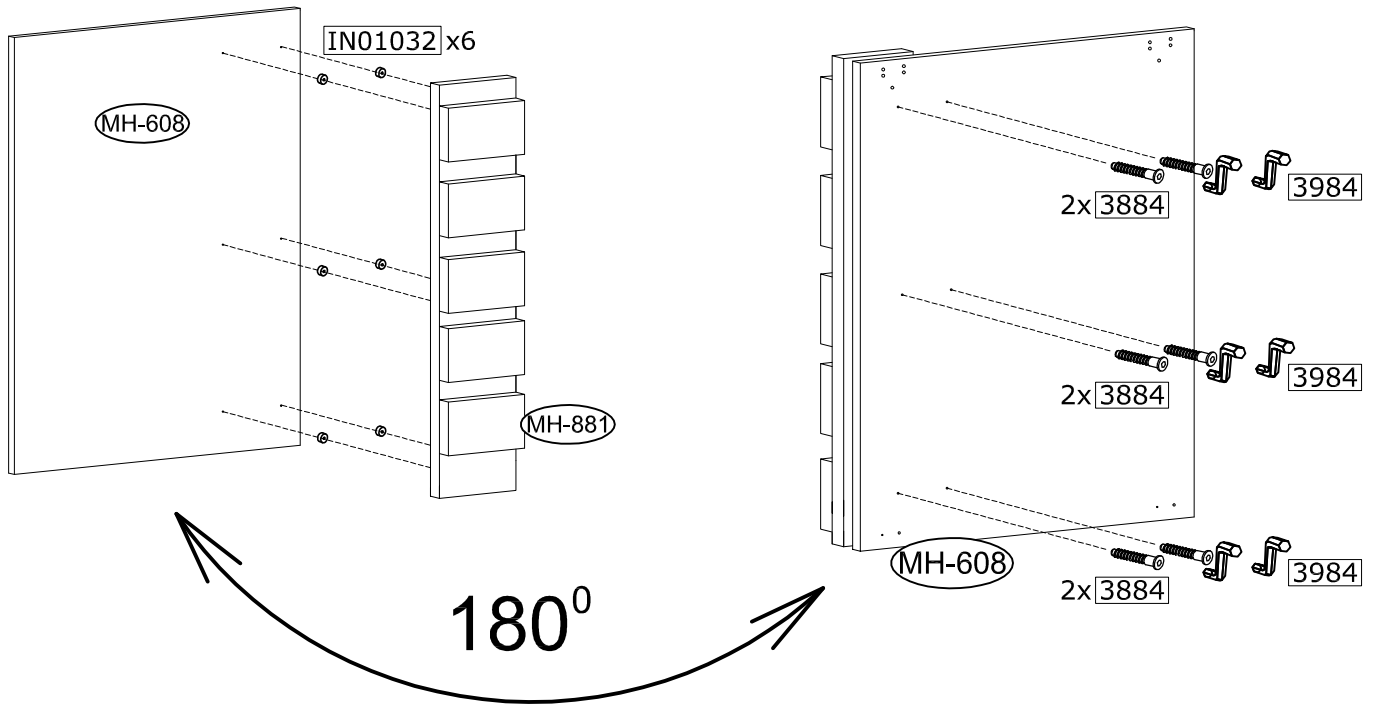


x5








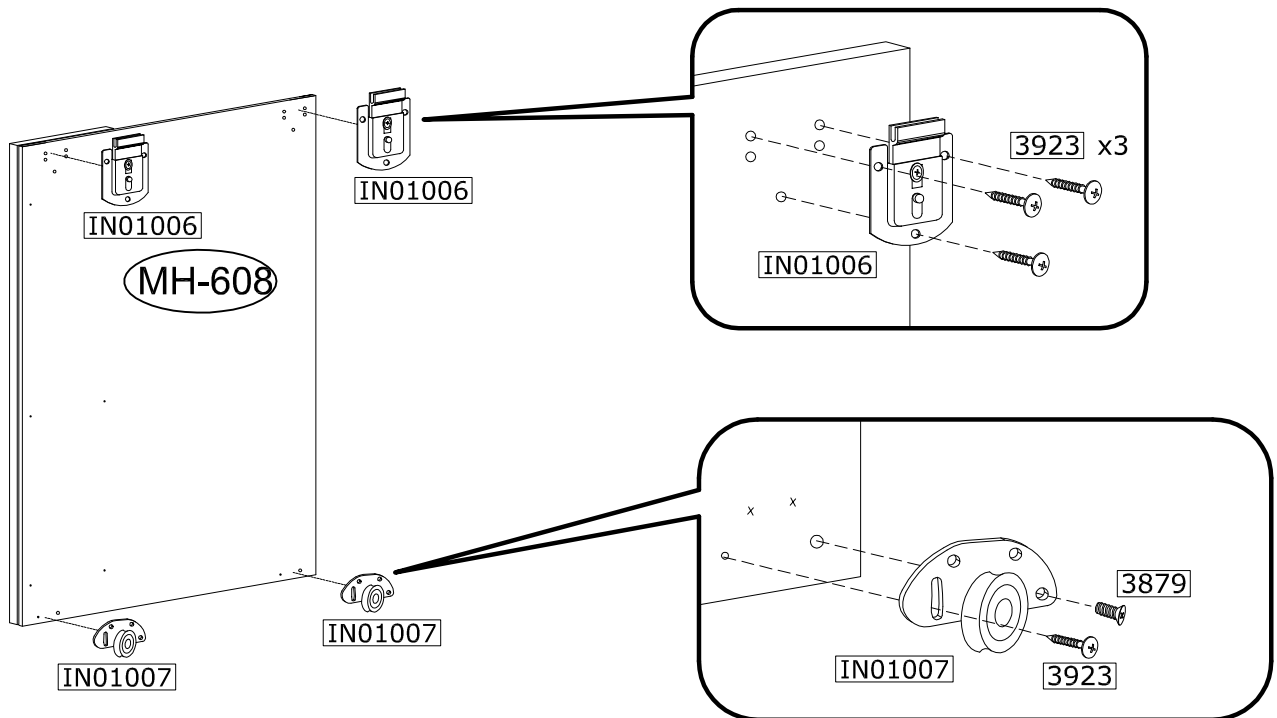
# 10

IN01032  x6	3884  x6	3984  x1		
---	--	--	--	--



# 11

IN01006  x2	IN01007  x2	3923  x8	3879  x2	
--	--	---	---	---



# 12

IN01006



x4

IN01007



x4

3923



x16

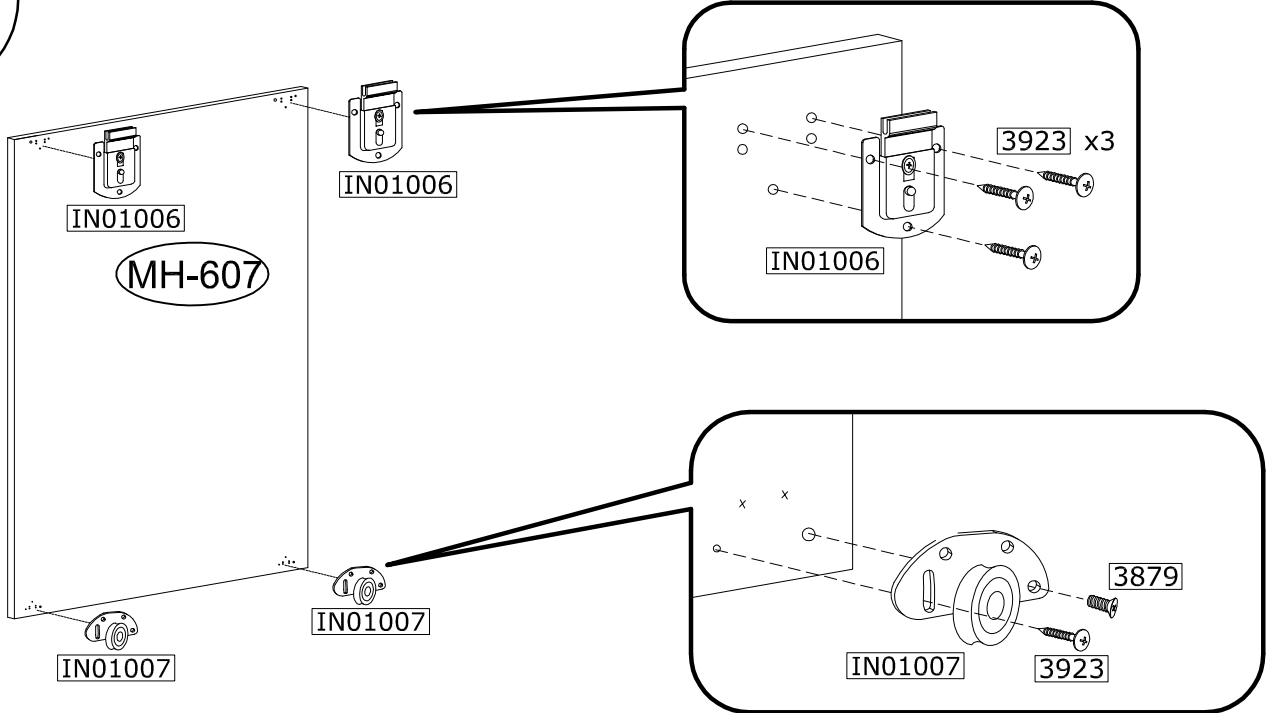
3879



x4



x2

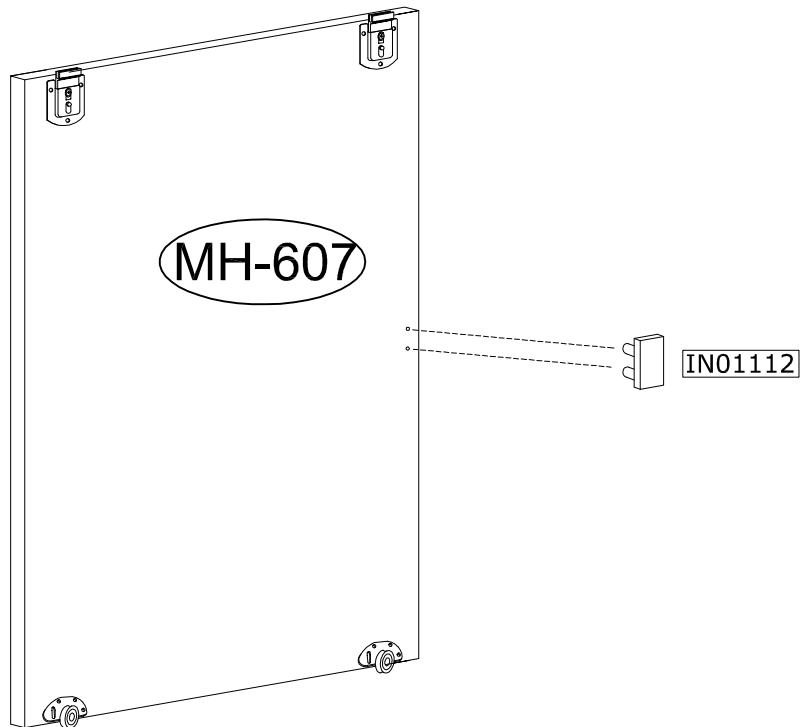


# 13

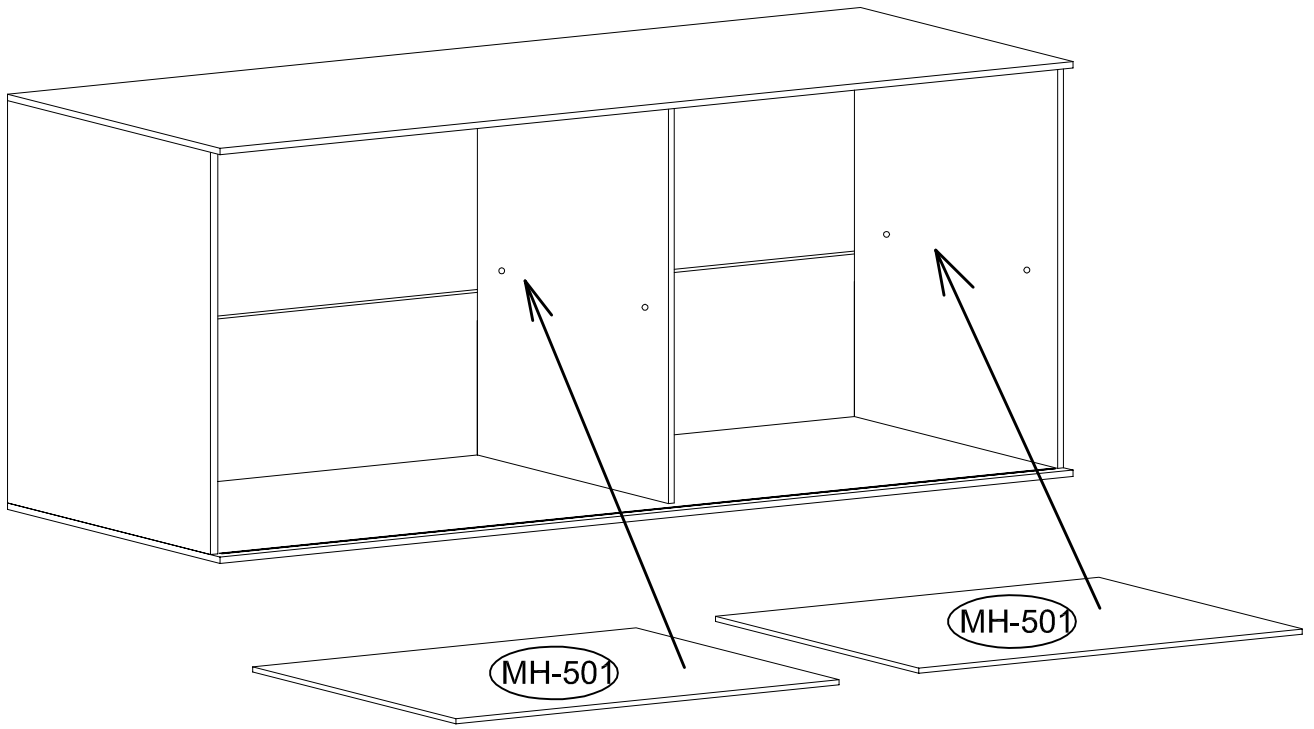
IN01112



x1

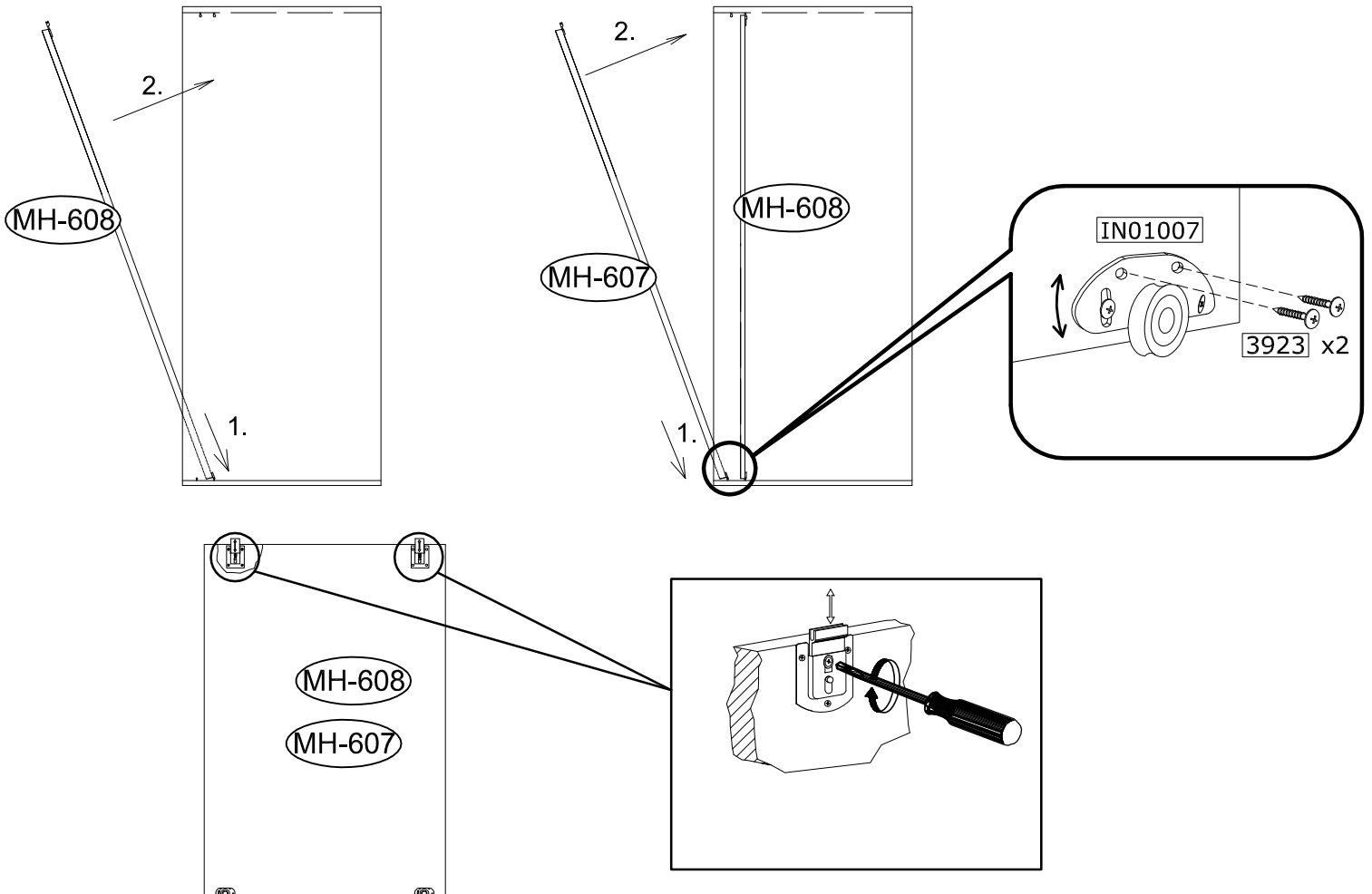


# 14

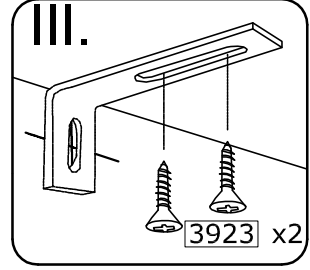
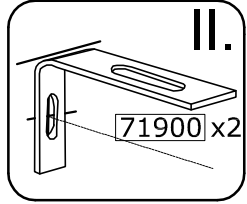
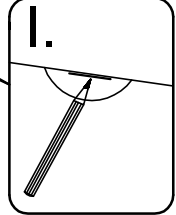
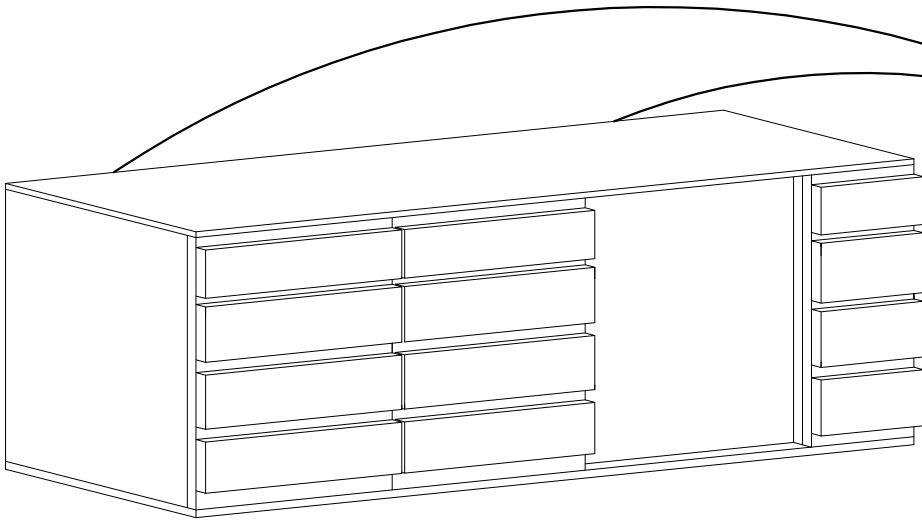
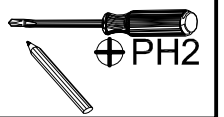
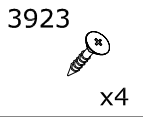
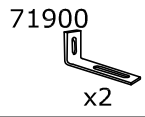


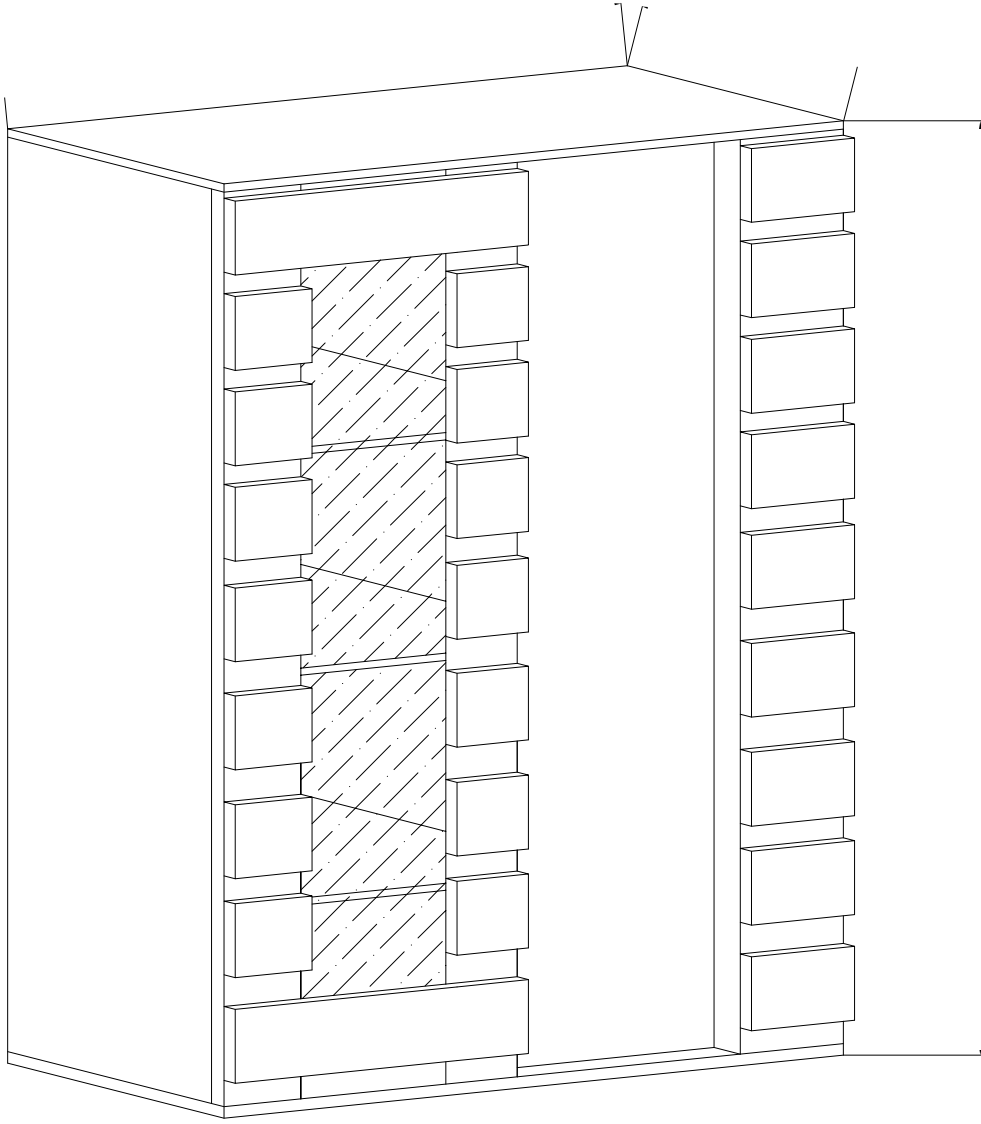
# 15

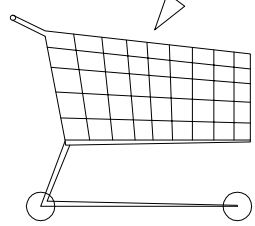
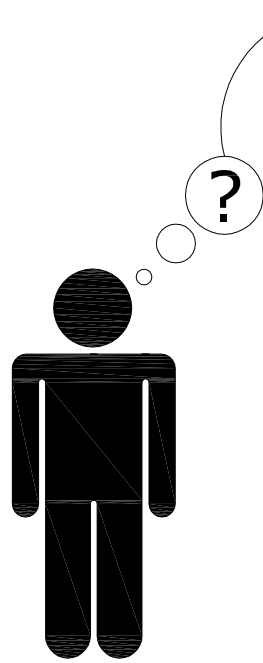
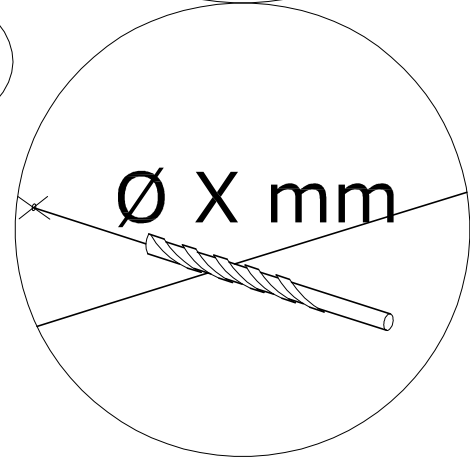
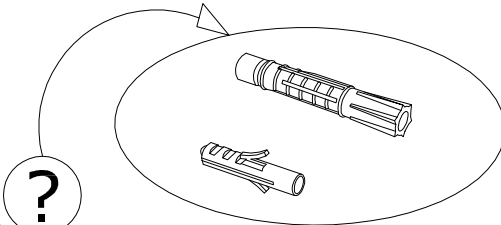
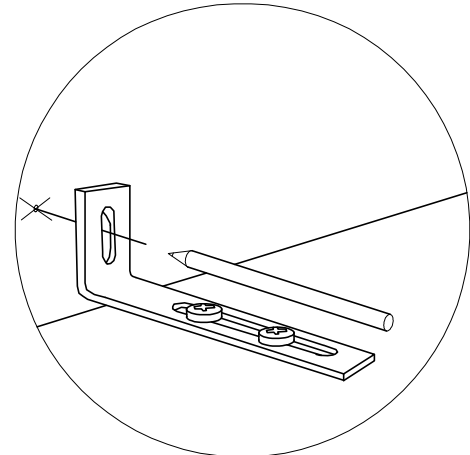
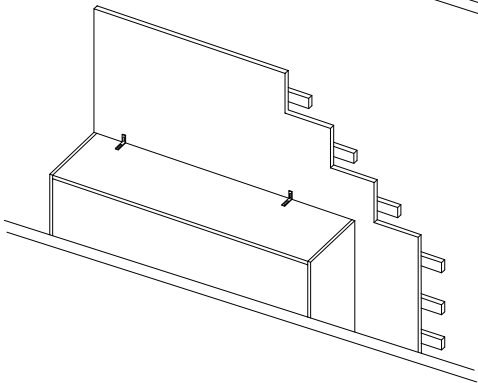
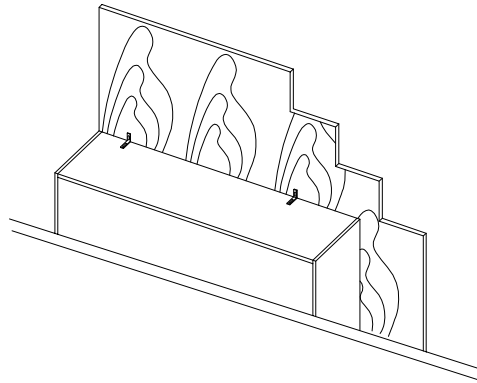
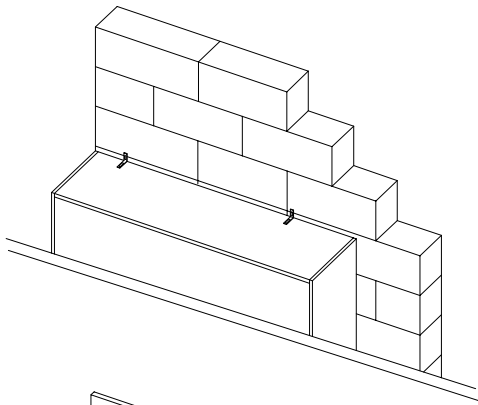
3923  
x8



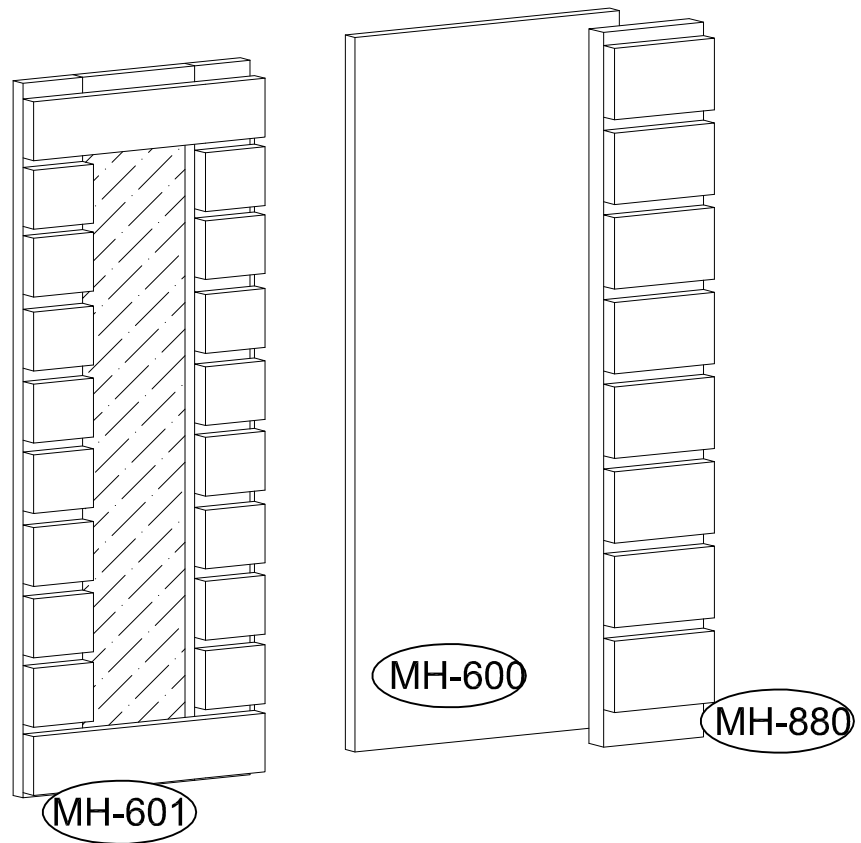
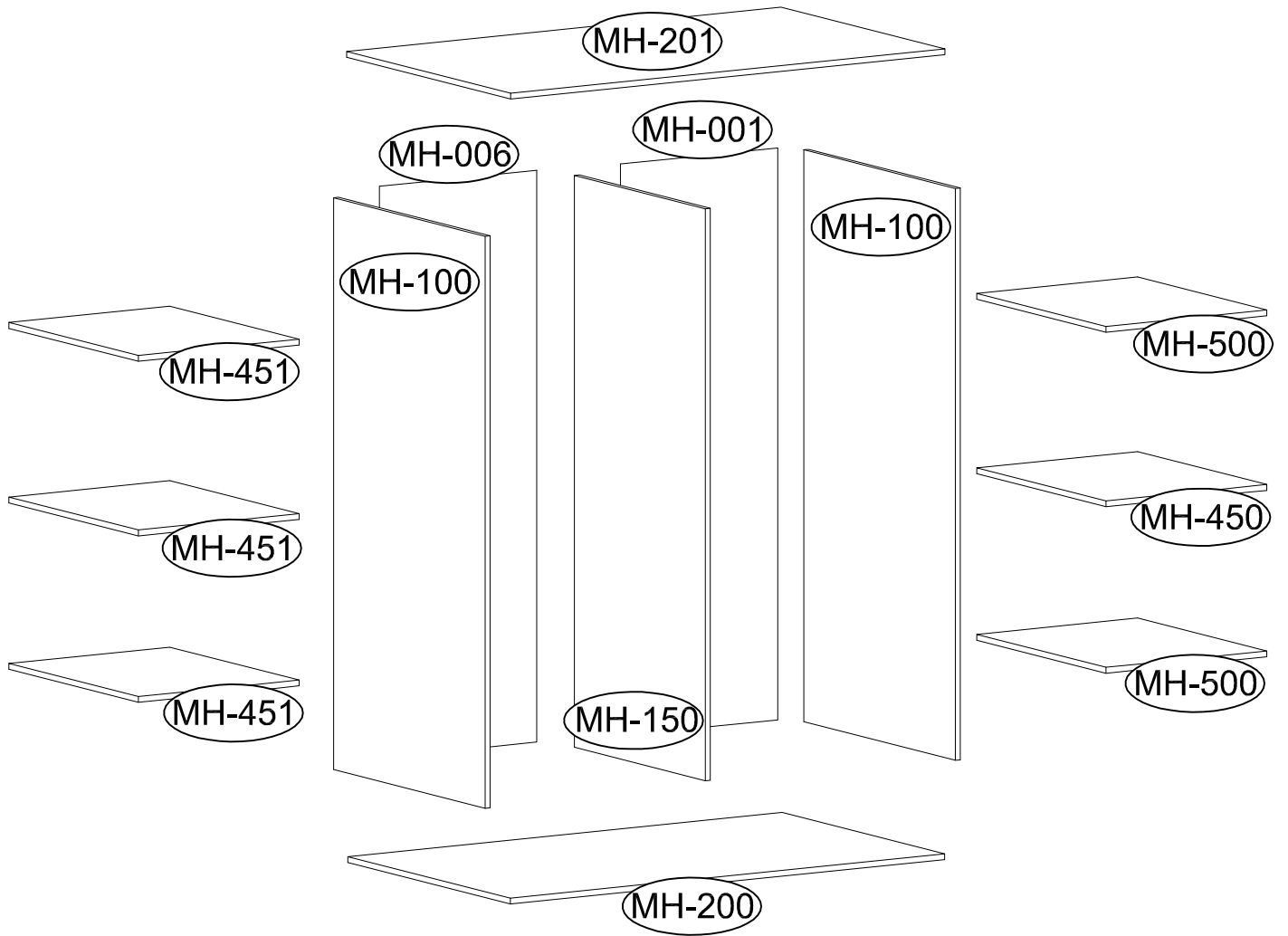
# 16

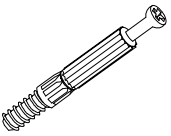
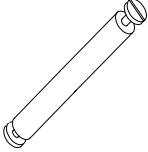
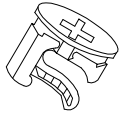

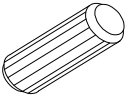
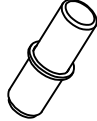
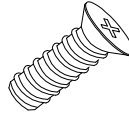
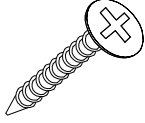
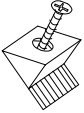
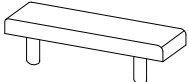
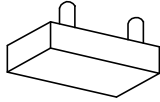
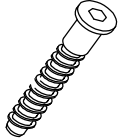
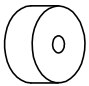

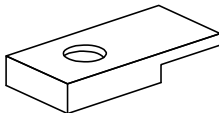

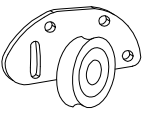
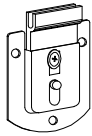
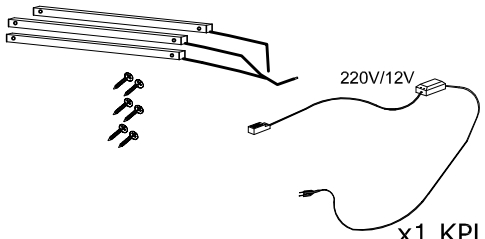
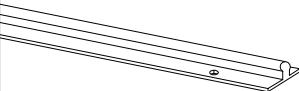
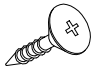
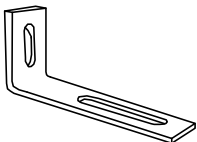


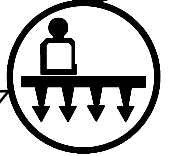
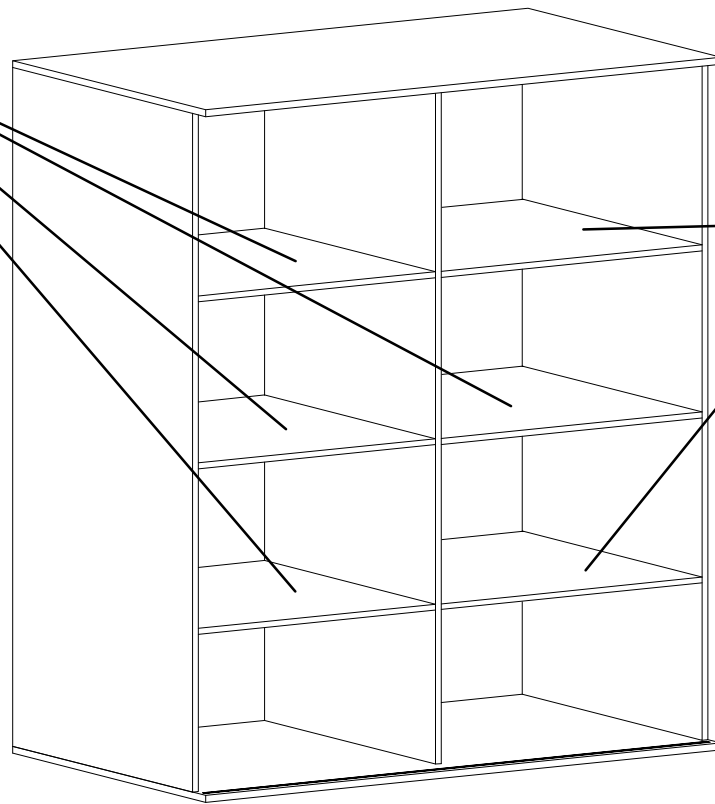
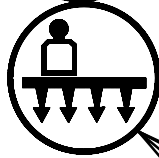
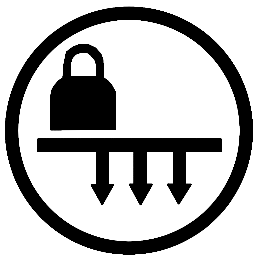




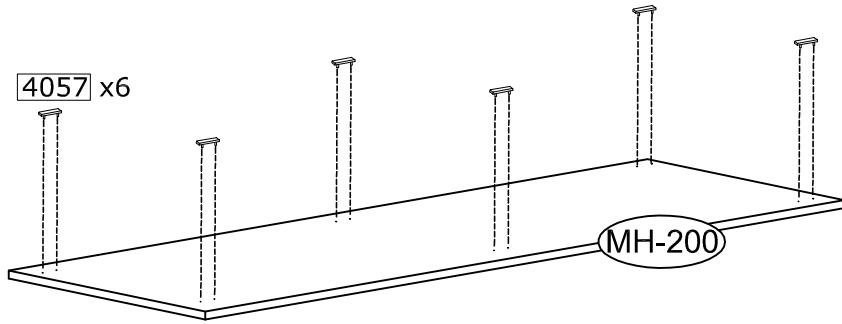
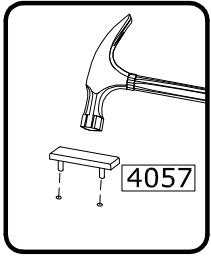
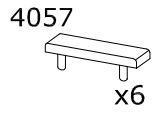




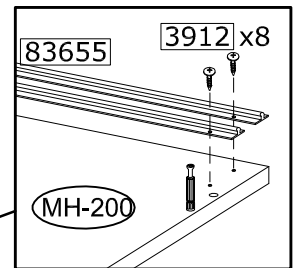
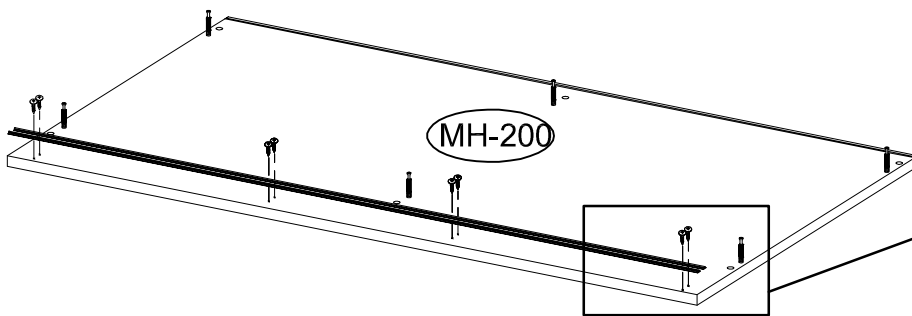
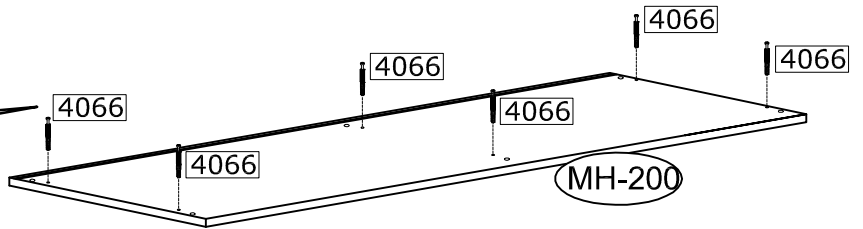
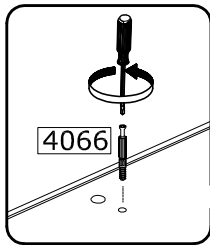
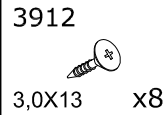
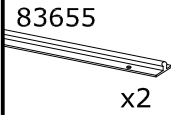
<p>4066</p>  <p>Ø6.5x36.5mm x24</p>	<p>4060</p>  <p>x2</p>	<p>3996</p>  <p>Ø15x16mm x28</p>	<p>136236</p>  <p>Ø20 x28</p>
<p>3989</p>  <p>Ø8x30mm x20</p>	<p>4017</p>  <p>x8</p>	<p>3879</p>  <p>Ø6.3x13mm x4</p>	<p>3923</p>  <p>Ø4,0x16mm x32</p>
<p>4044</p>  <p>x24</p>	<p>4057</p>  <p>x6</p>	<p>IN01112</p>  <p>H-20 mm x1</p>	<p>3884</p>  <p>x6</p>
<p>IN01032</p>  <p>H-18 mm x6</p>	<p>3984</p>  <p>4 mm x1</p>	<p>4076</p>  <p>x10</p>	<p>3919</p>  <p>Ø3,0x20mm x10</p>
<p>IN01007</p>  <p>x4</p>	<p>IN01006</p>  <p>x4</p>	<p>IN02435</p>  <p>x1 KPL</p>	
<p>83655</p>  <p>L-1166mm x4</p>	<p>3912</p>  <p>Ø3,0x13mm x16</p>	<p>71900</p>  <p>x2</p>	



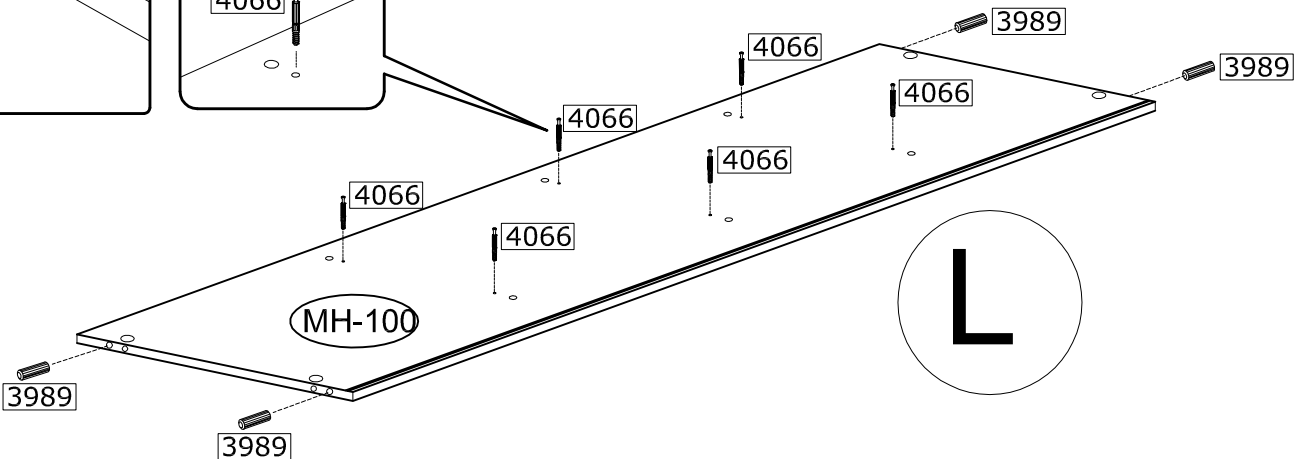
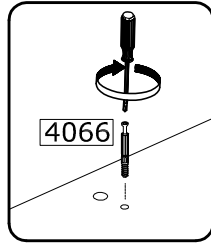
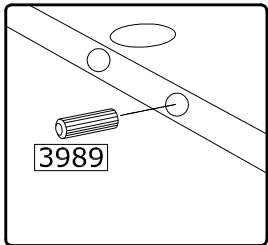
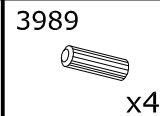
# 1



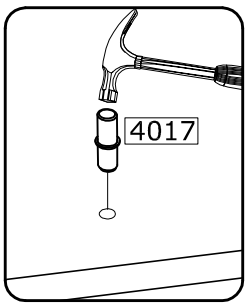
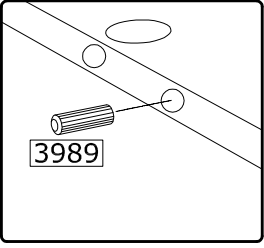
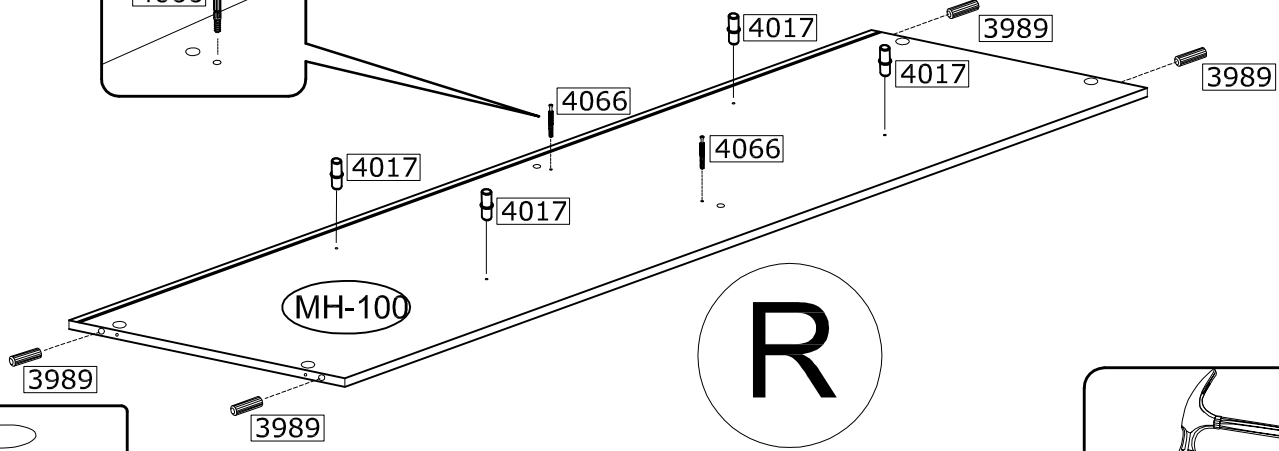
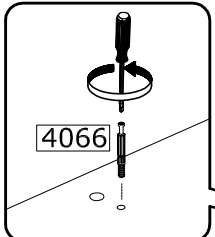
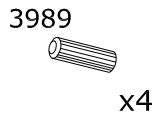
# 2



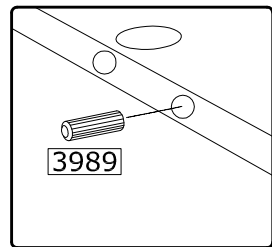
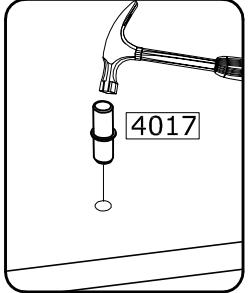
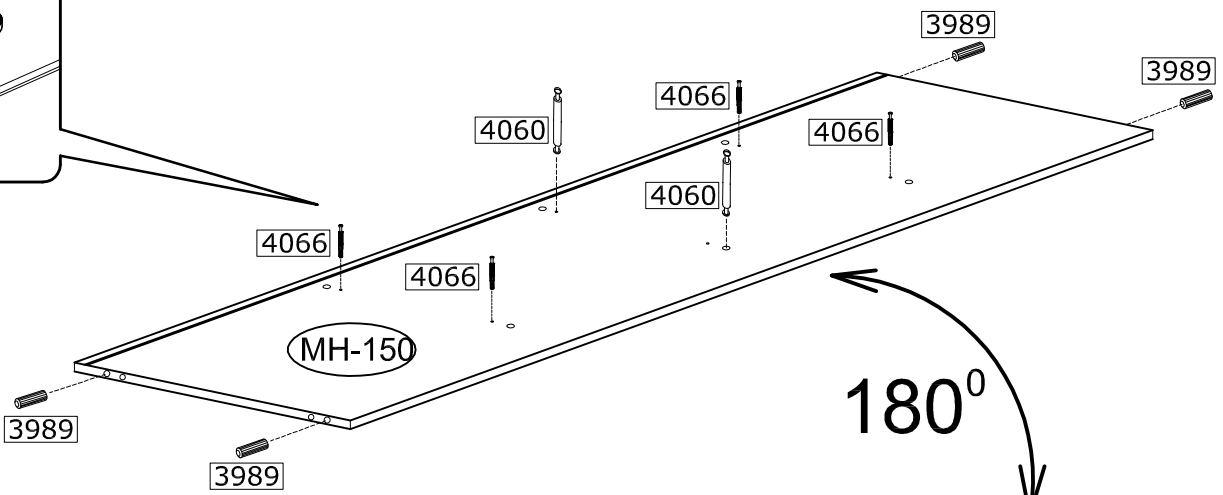
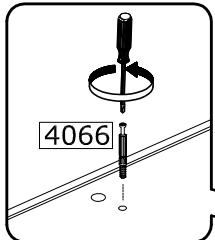
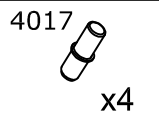
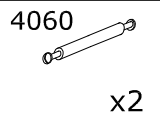
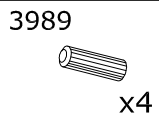
# 3



# 4

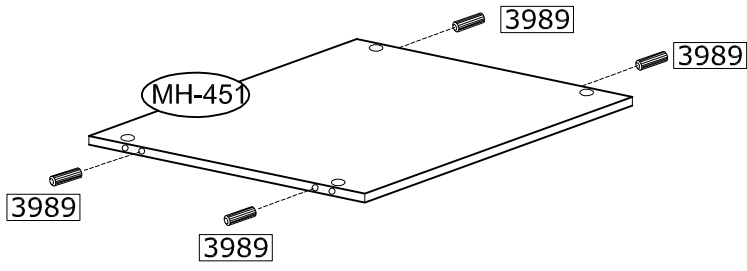
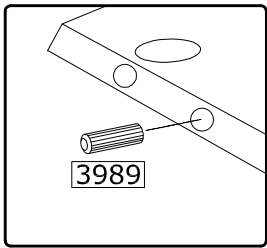
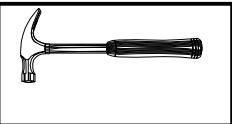


# 5



# 6

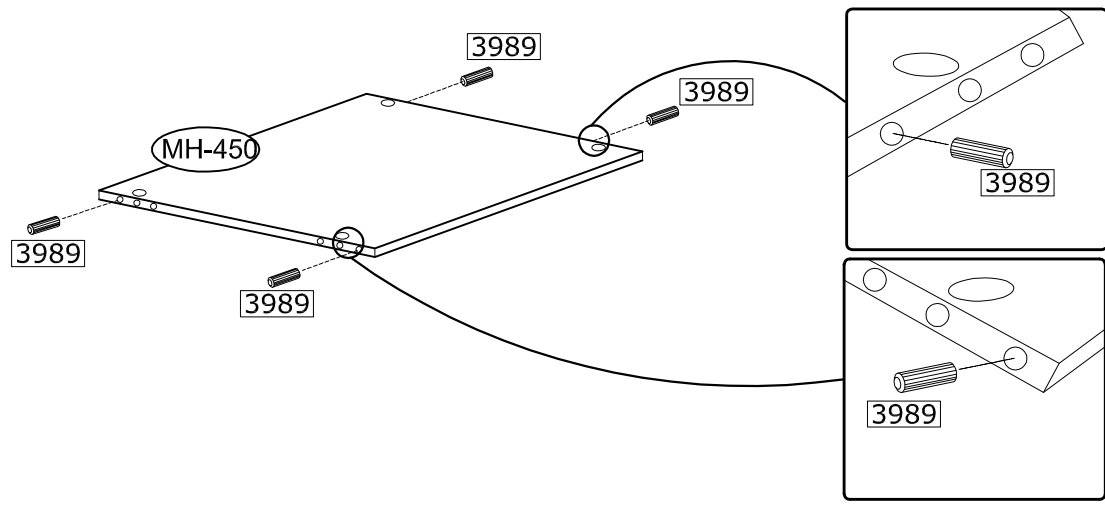
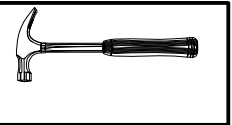
3989  
x12



X3

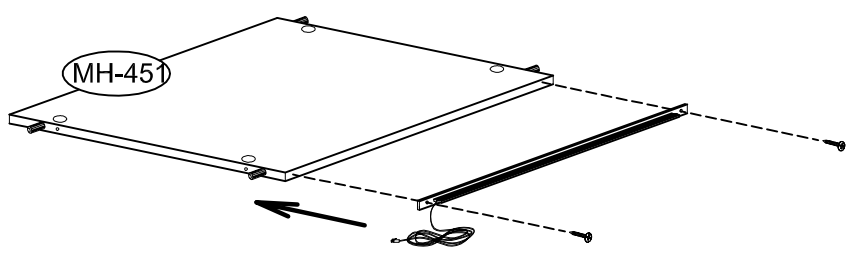
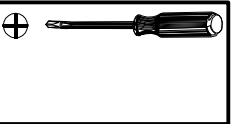
# 7

3989  
x4

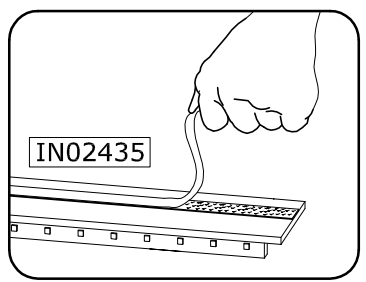


# 8

IN02435  
x1 KPL



X3



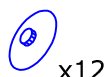
# 9

3996

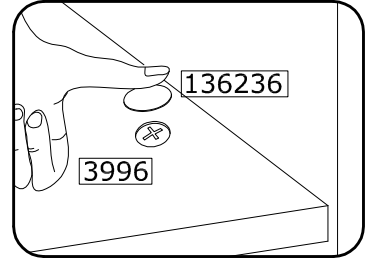
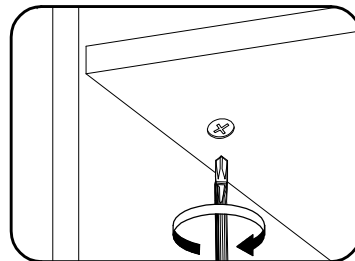
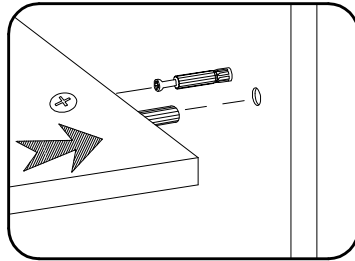
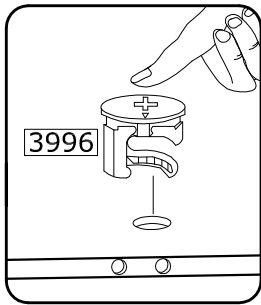
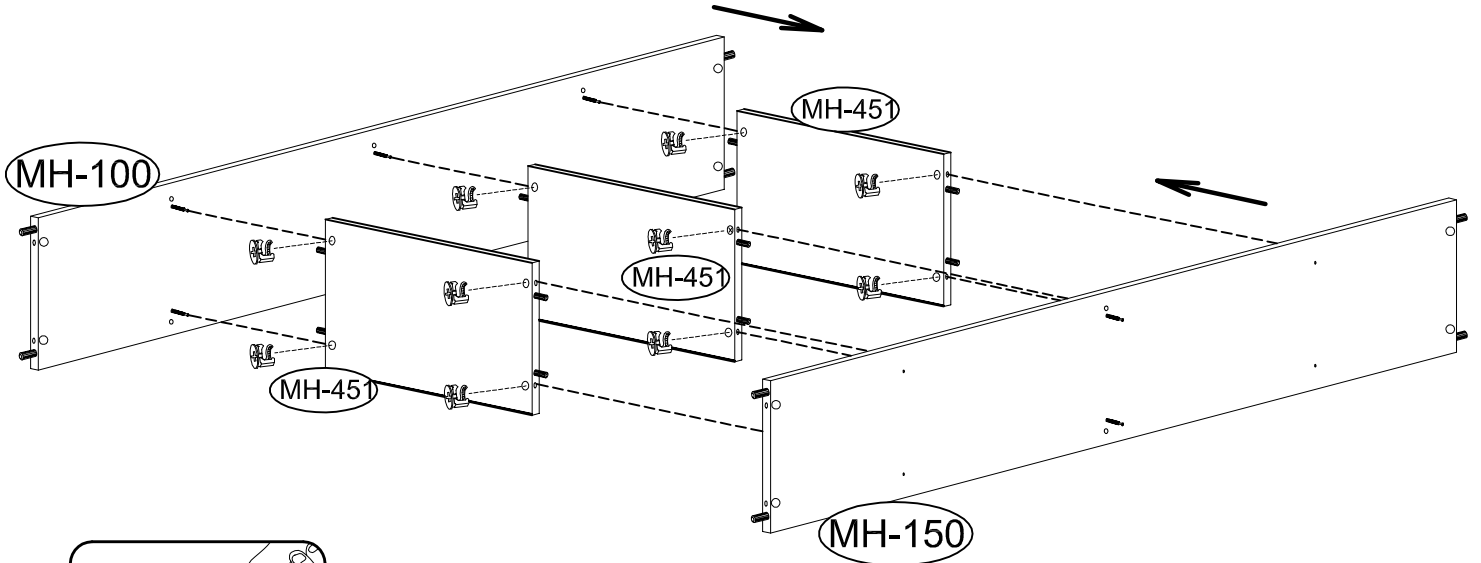


x12

136236

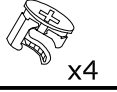


x12



# 10

3996

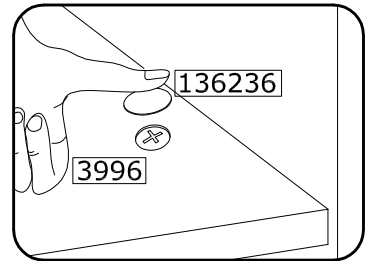
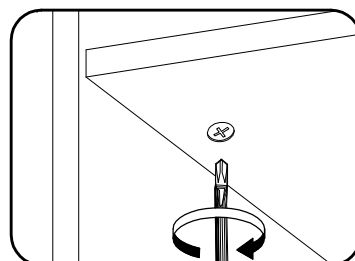
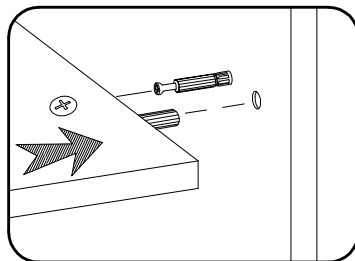
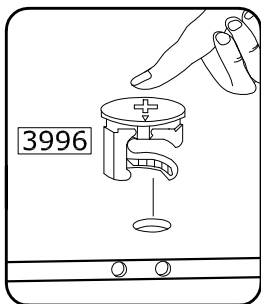
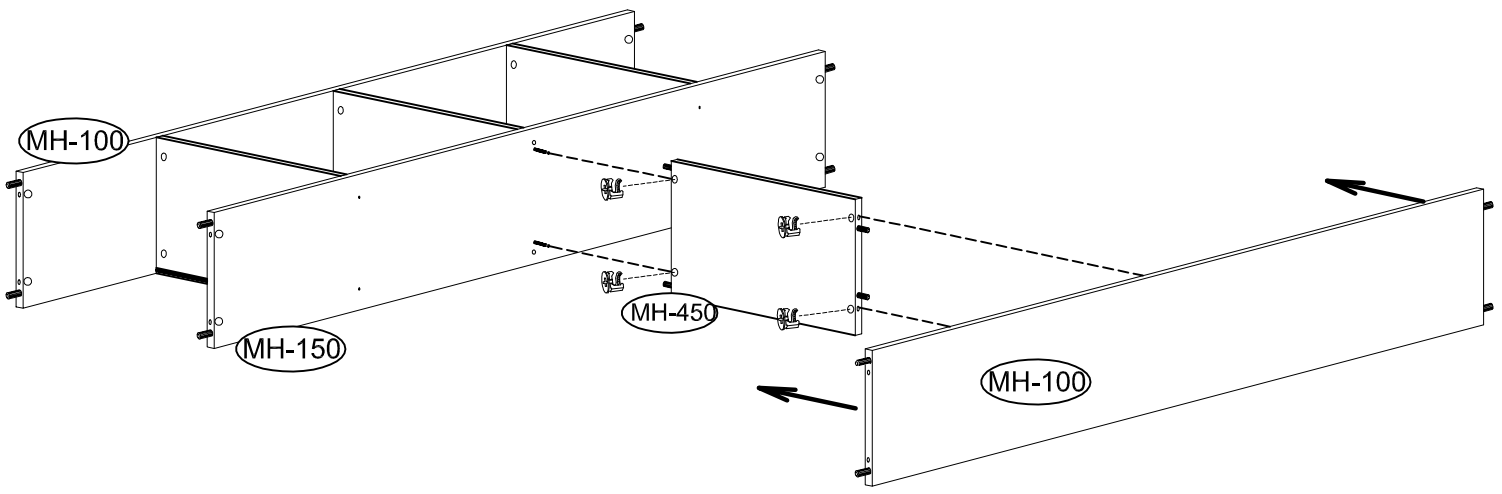


x4

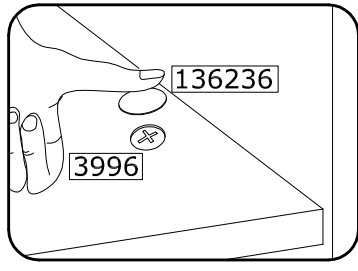
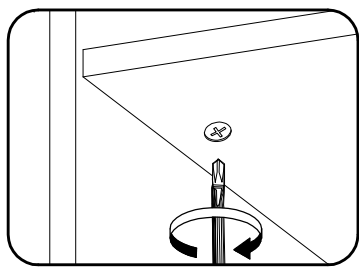
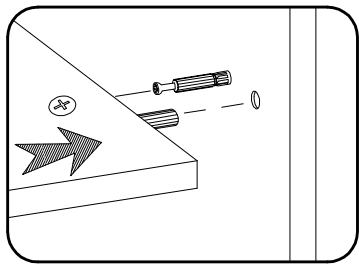
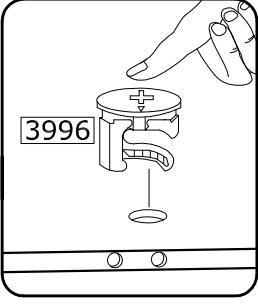
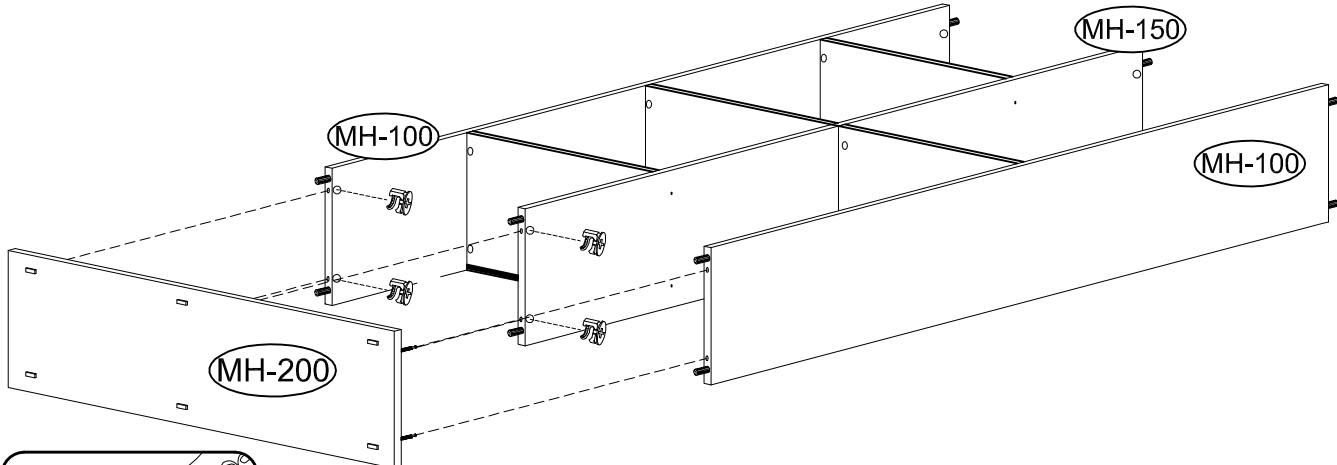
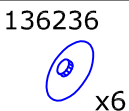
136236



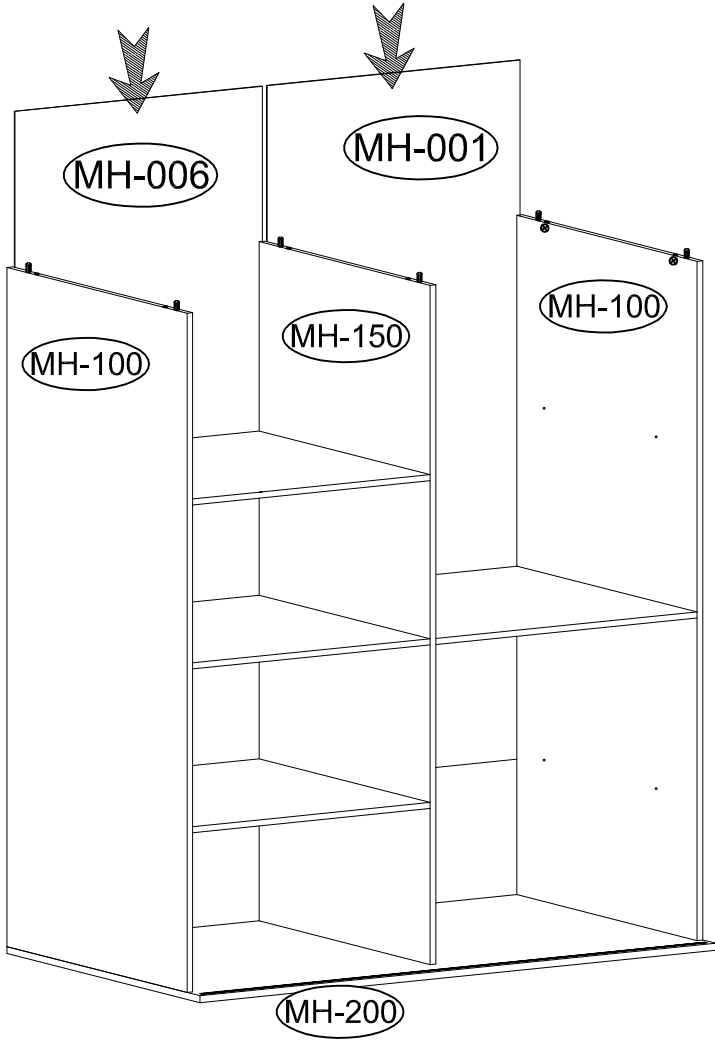
x4



# 11



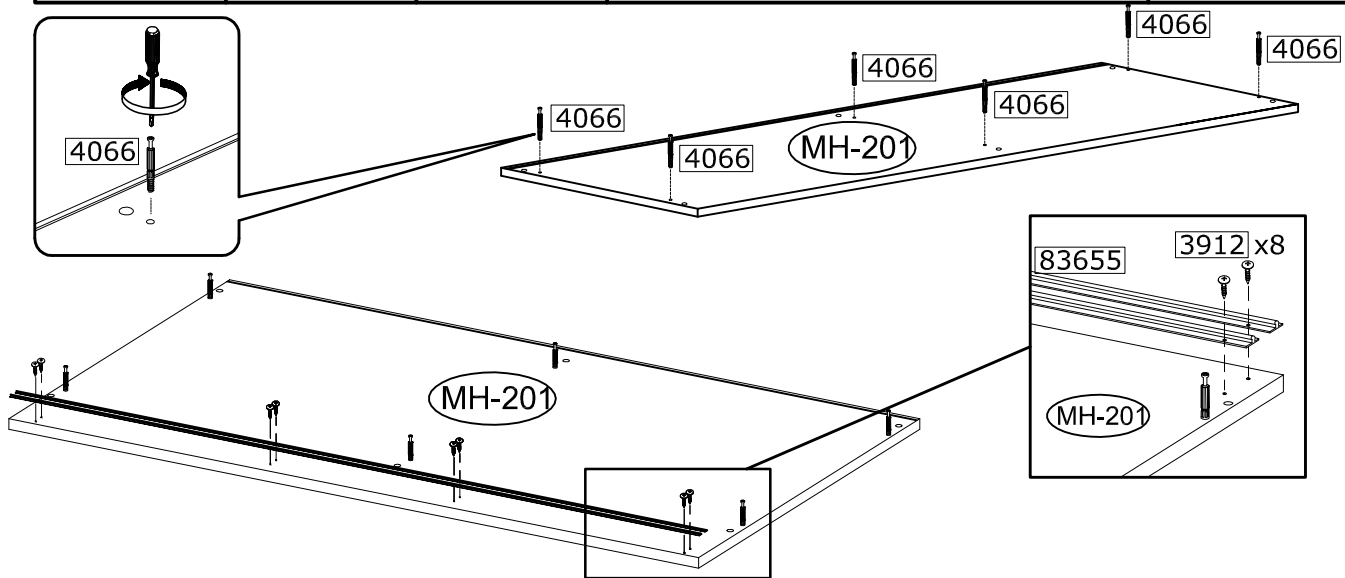
# 12








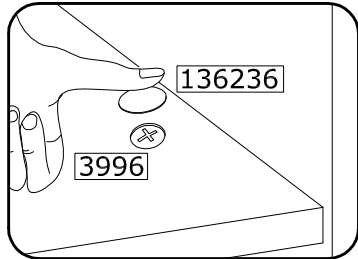
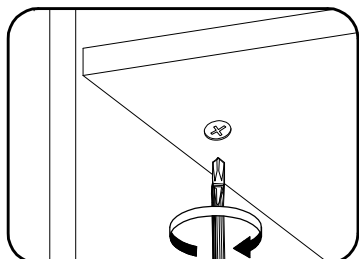
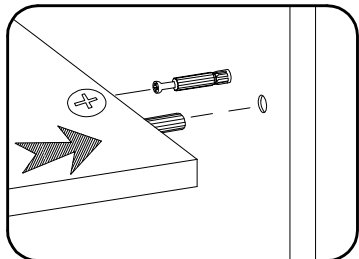
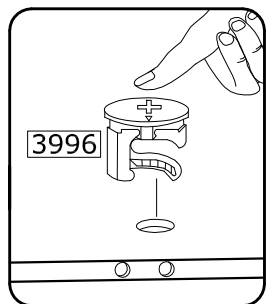
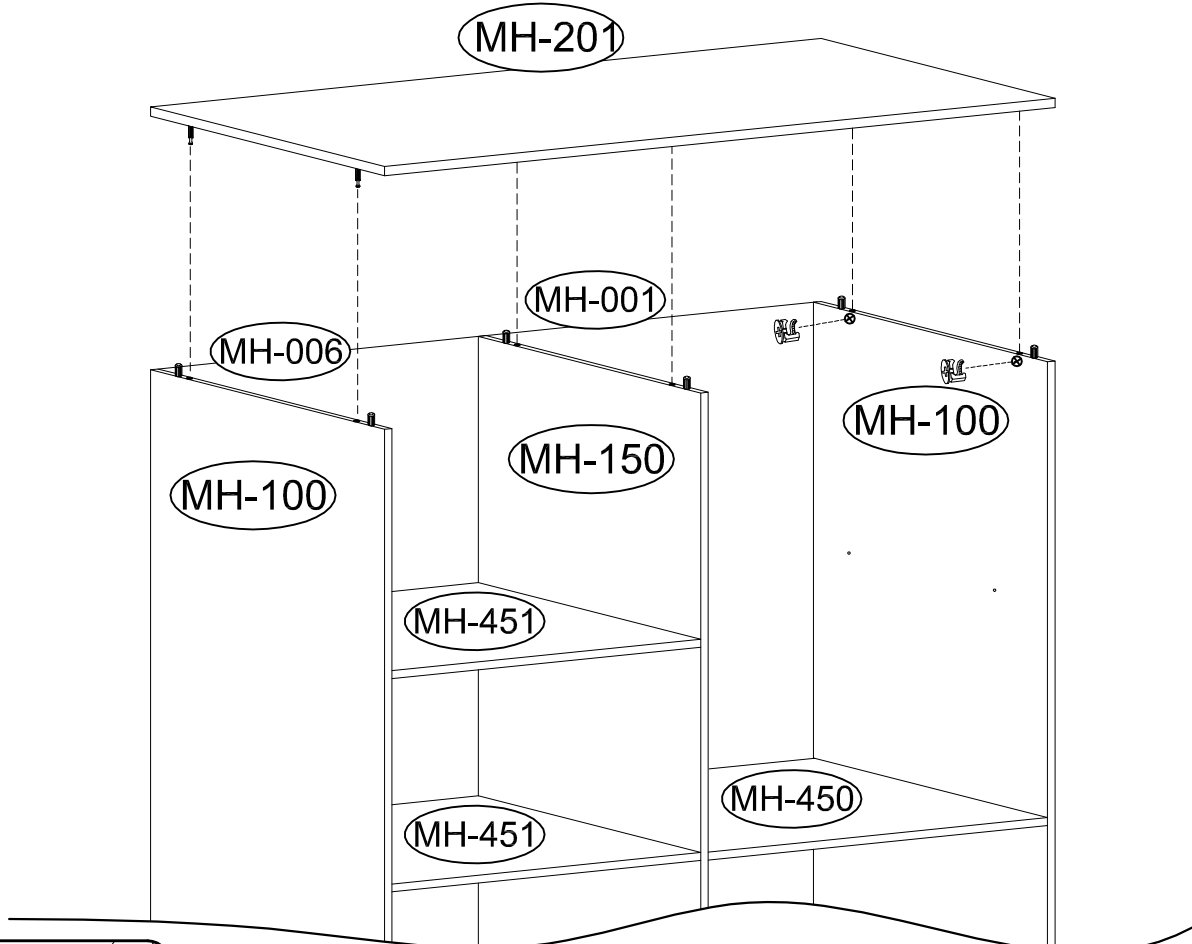
# 13

4066  x6	83655  x2	3912  3,0X13 x8	
--	---	---	--



# 14

3996  x6	136236  x6		
---	---	--	---



# 15

4044



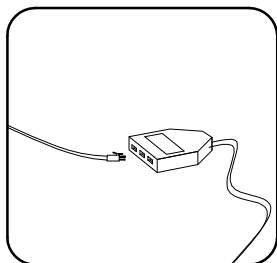
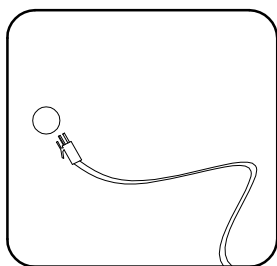
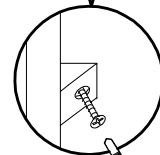
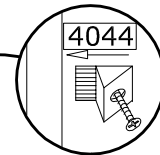
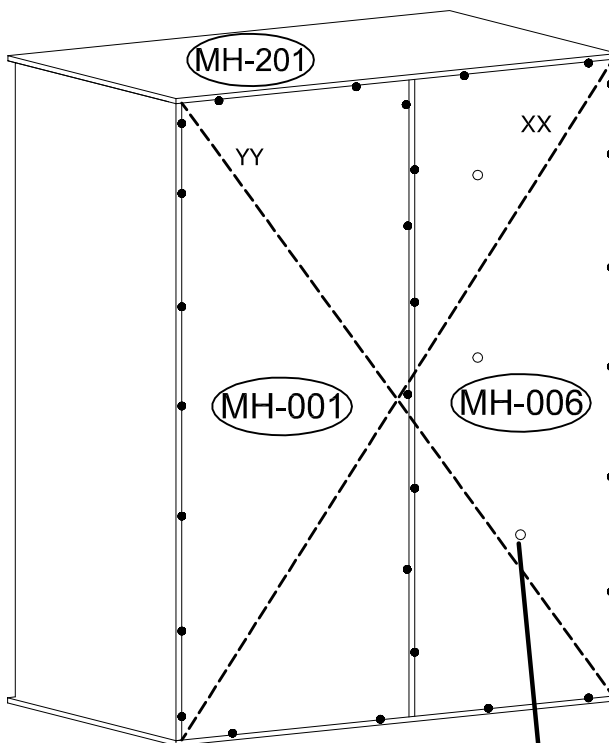
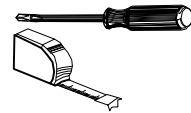
x24

IN02435

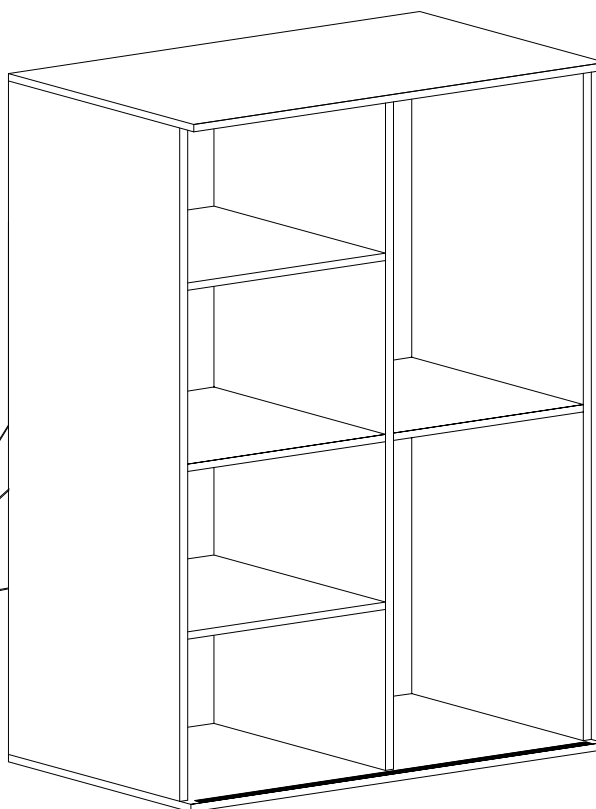
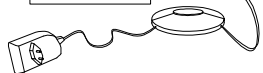


x1 KPL

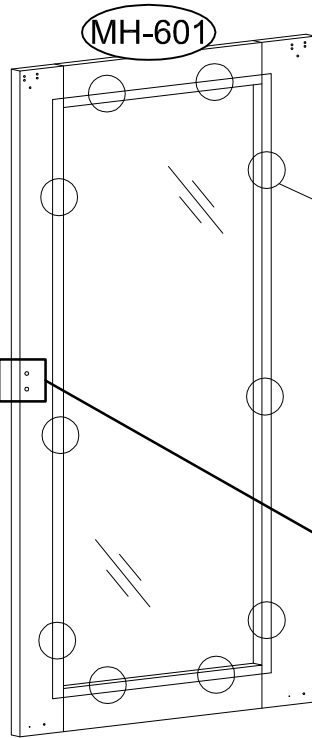
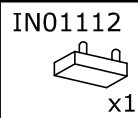
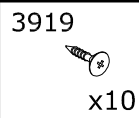
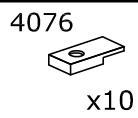
+



IN02435

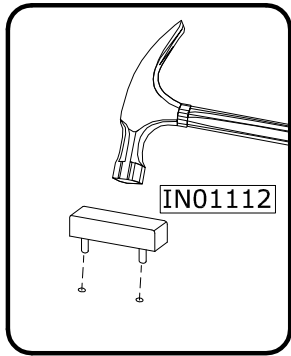


# 16

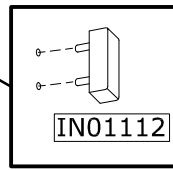


4076

3919

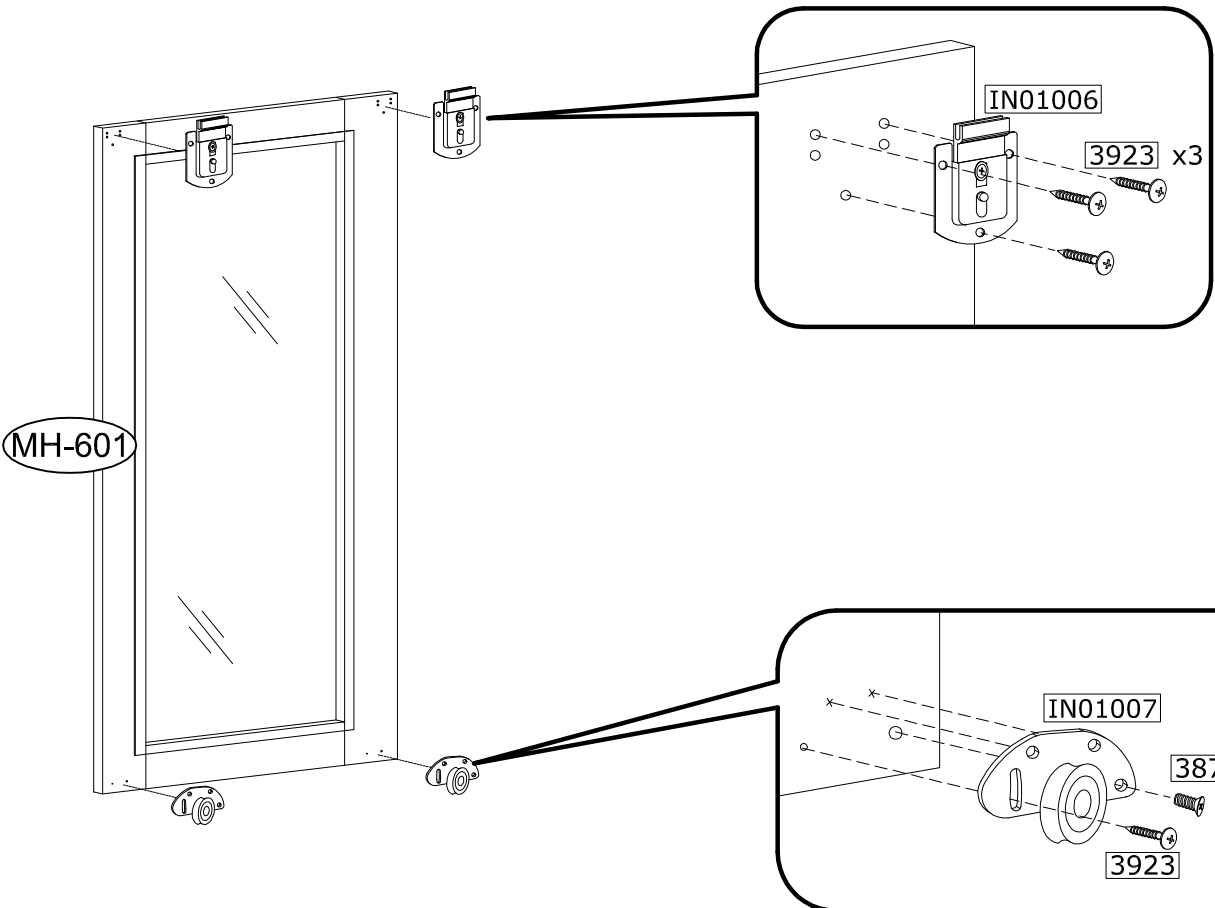
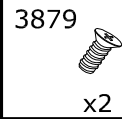
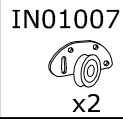
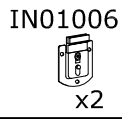


IN01112

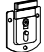






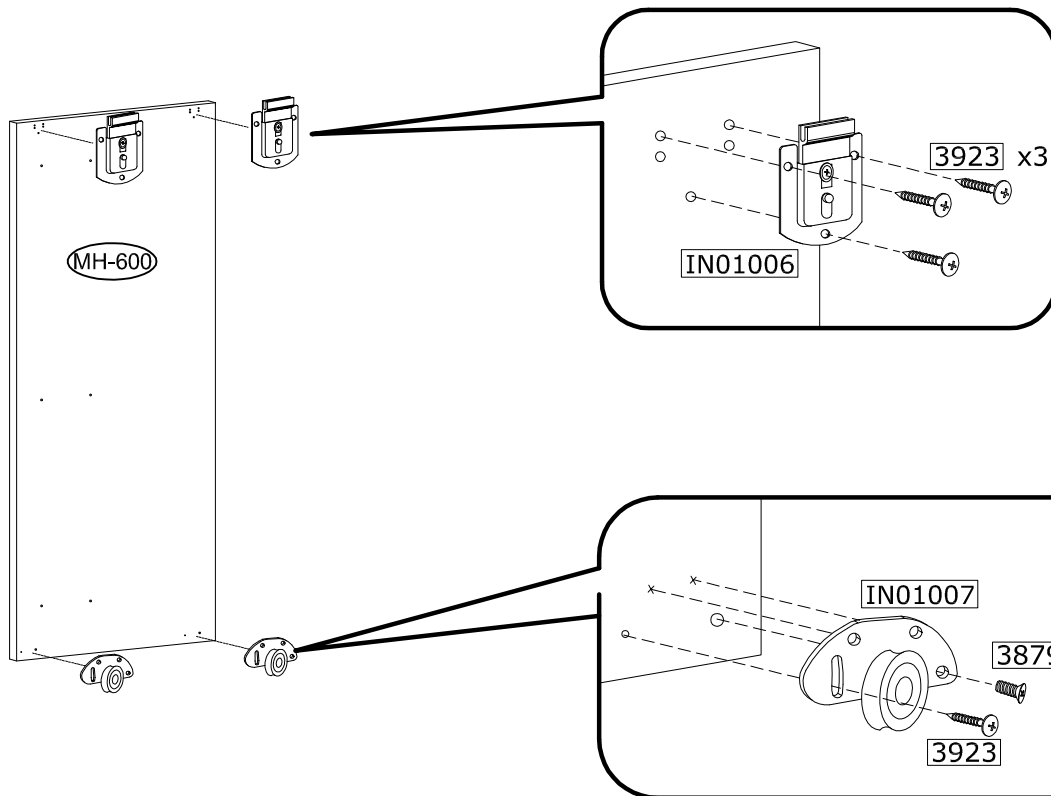
IN01112

# 17


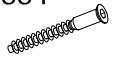


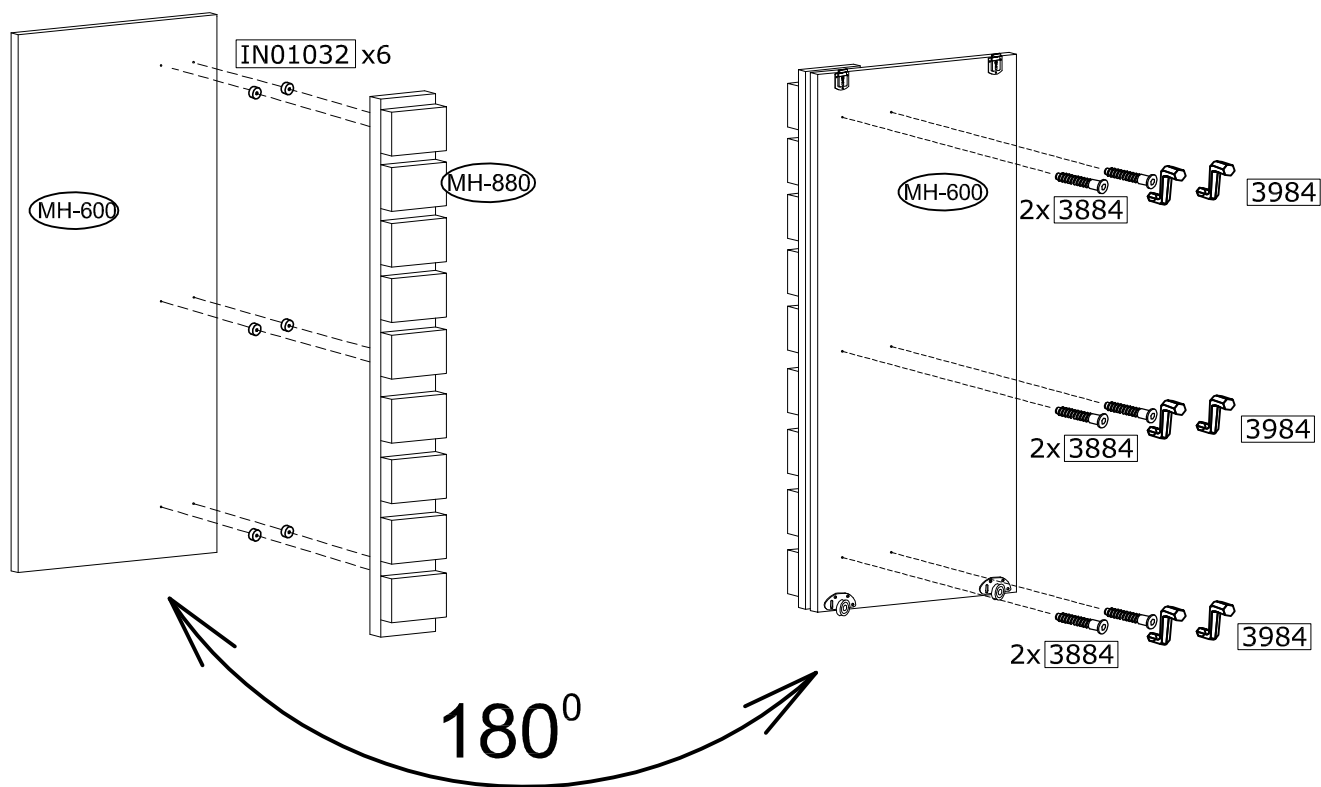
# 18

IN01006  x2	IN01007  x2	3923  x8	3879  x2		
---	---	--	--	--	---

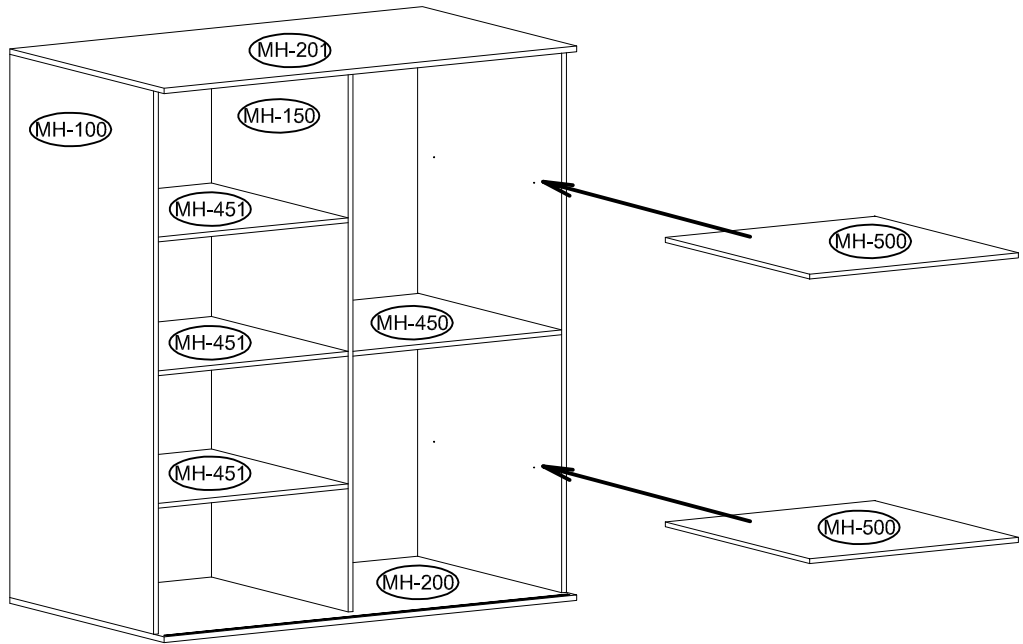


# 19

IN01032  x6	3884  x6			
--	---	--	--	--

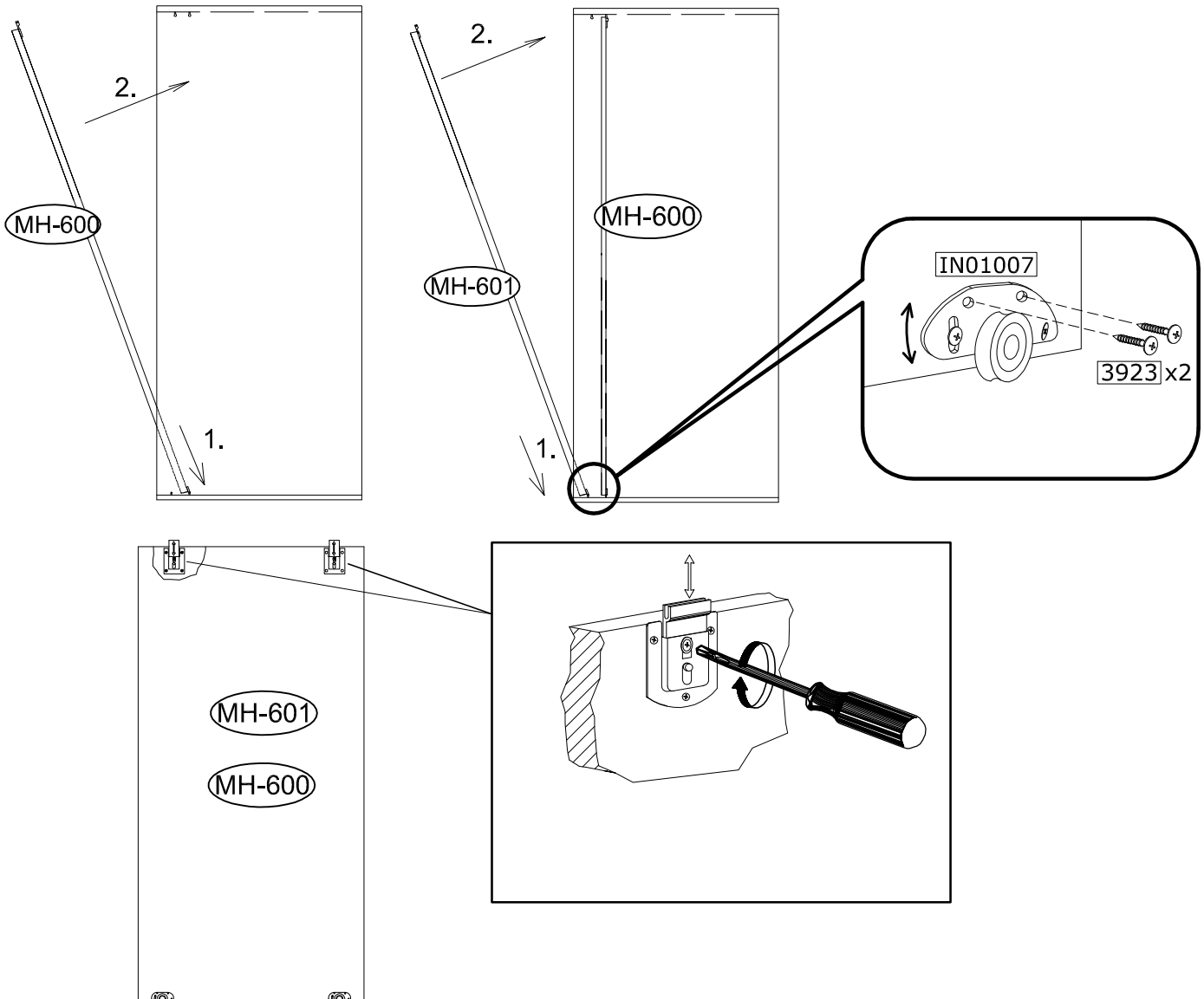


# 20



# 21

3923



# 22

71900  
x2

3923  
x4

