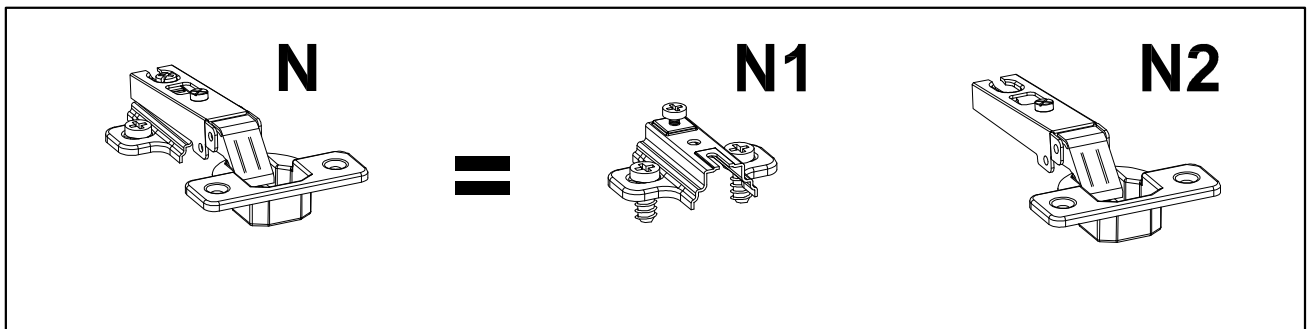
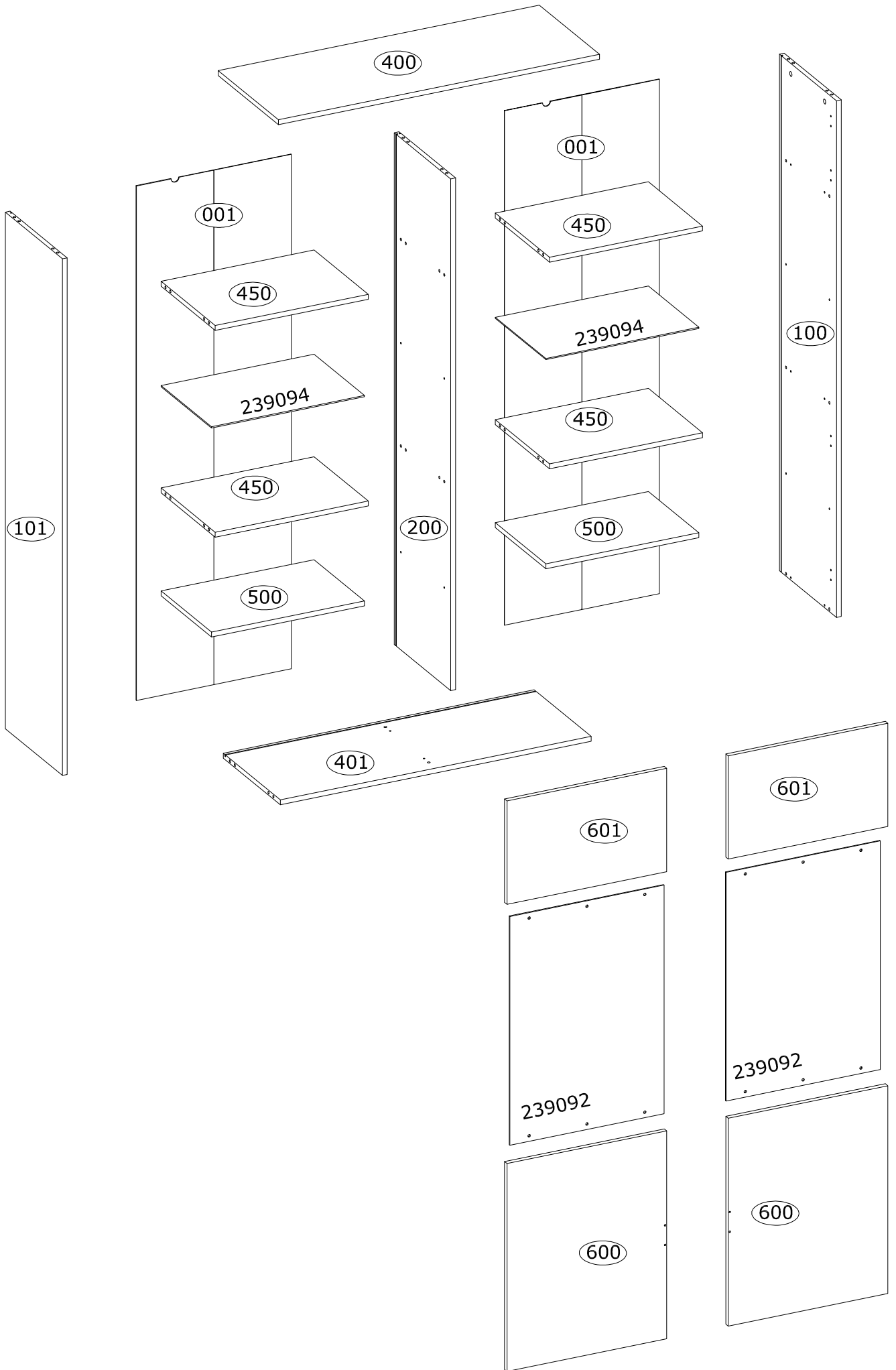


A Ø8x30 mm x20 3989	B Ø8x50 mm x4 3991	C Ø6,5x36,5 mm x20 4066	D Ø6,5x76 mm x4 4062	E Ø15x12 mm x28 3996
F Ø20 mm x22 136239	G 15x14x11 mm x20 4044	H Ø3,5x16 mm x40 3918	I Ø5x16 mm x16 4017	J Ø4 mm x12 IN00988
K Ø4,0x16 mm x12 3923	L 75x15x32 mm x2 71900	M Ø3,0x25 mm x16 3887	N Ø35 mm , KR0 x8 IN01640	O Ø20, H-180 x5 232943
P 96X48X20 mm x2 236246 236248				

P 96X48X20 mm x2 UMOOG64 236246	P 96X48X20 mm x2 UMOUBL64 236248
---	--

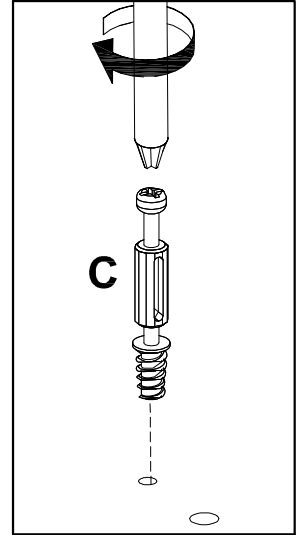
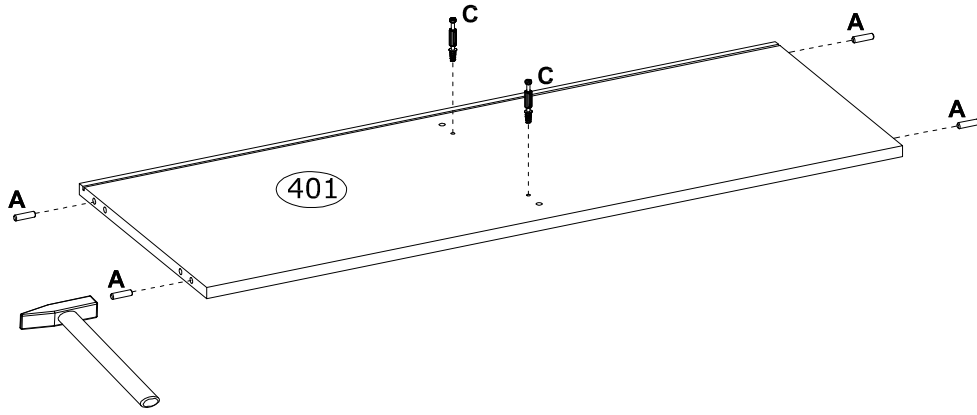


0
10
20
30
40
50
60
70
80
90
100
110
120
130
140
150
160
170
180
190
200



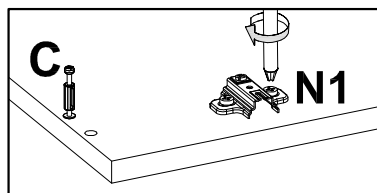
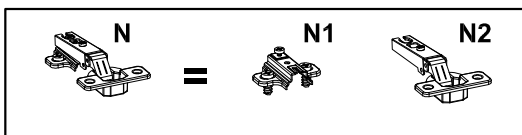
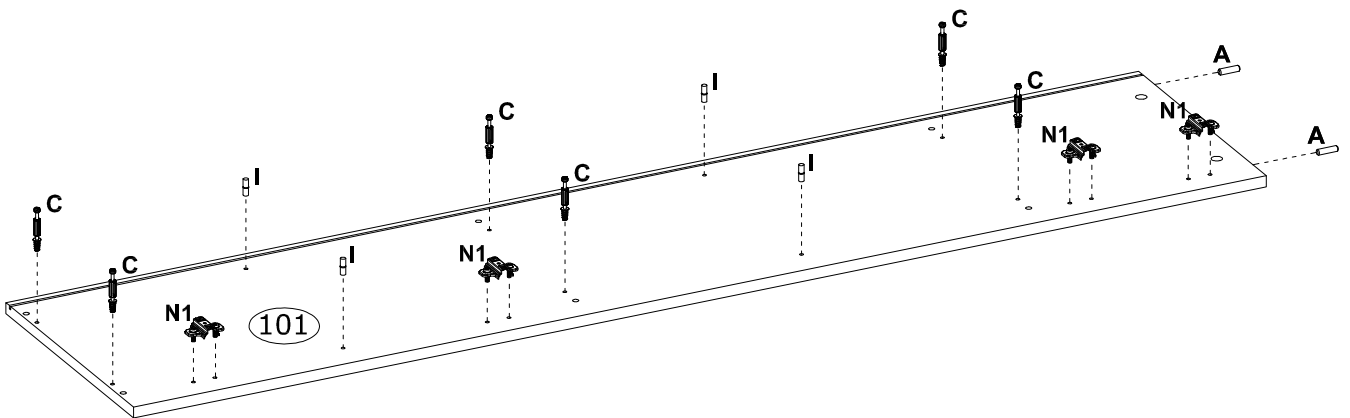
1

A	Ø8x30 mm	C	Ø6,5x36,5 mm	
	x4 3989		x2 4066	



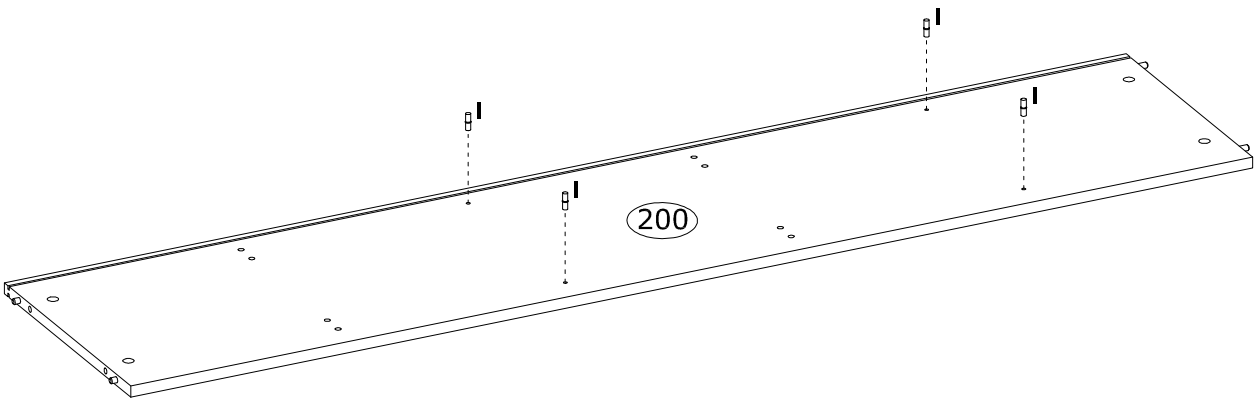
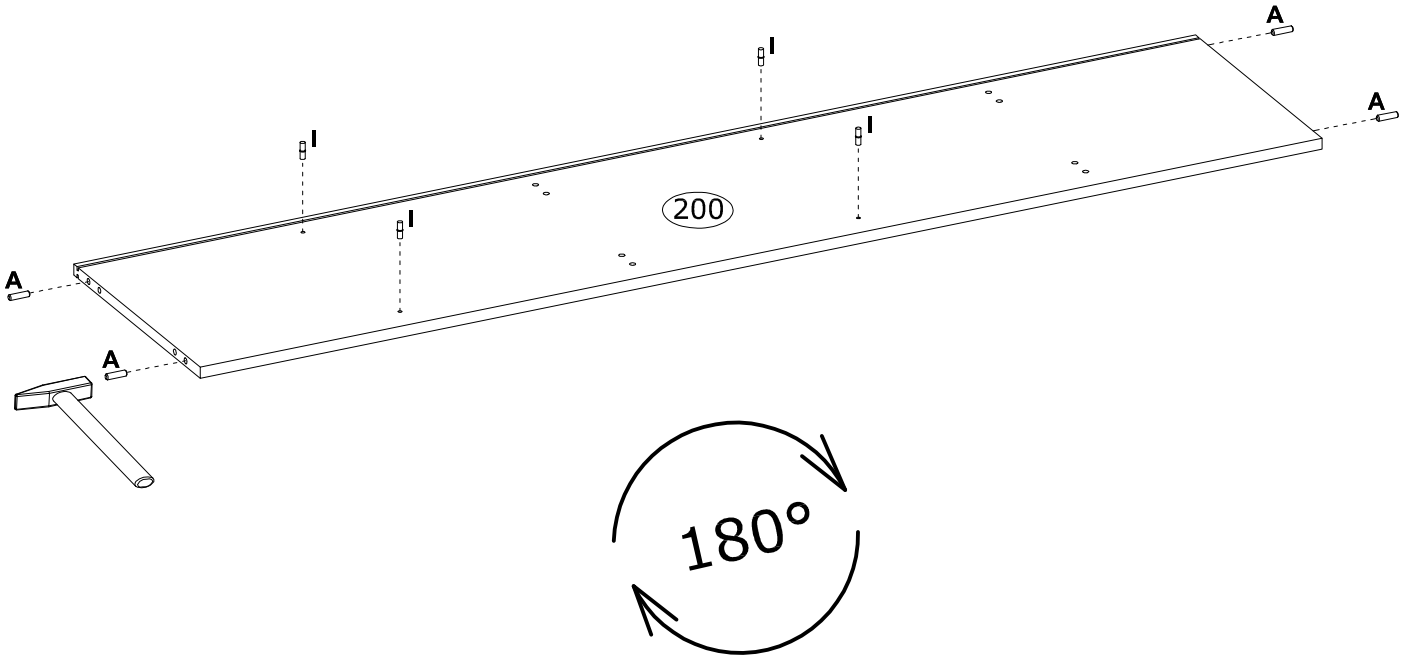
2

A	Ø8x30 mm	C	Ø6,5x36,5 mm	I	Ø5x16 mm	N1	Ø35 mm , KR0	
	x2 3989		x6 4066		x4 4017		x4 IN01640	

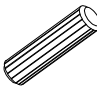

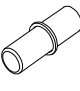
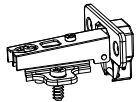
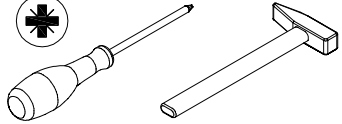


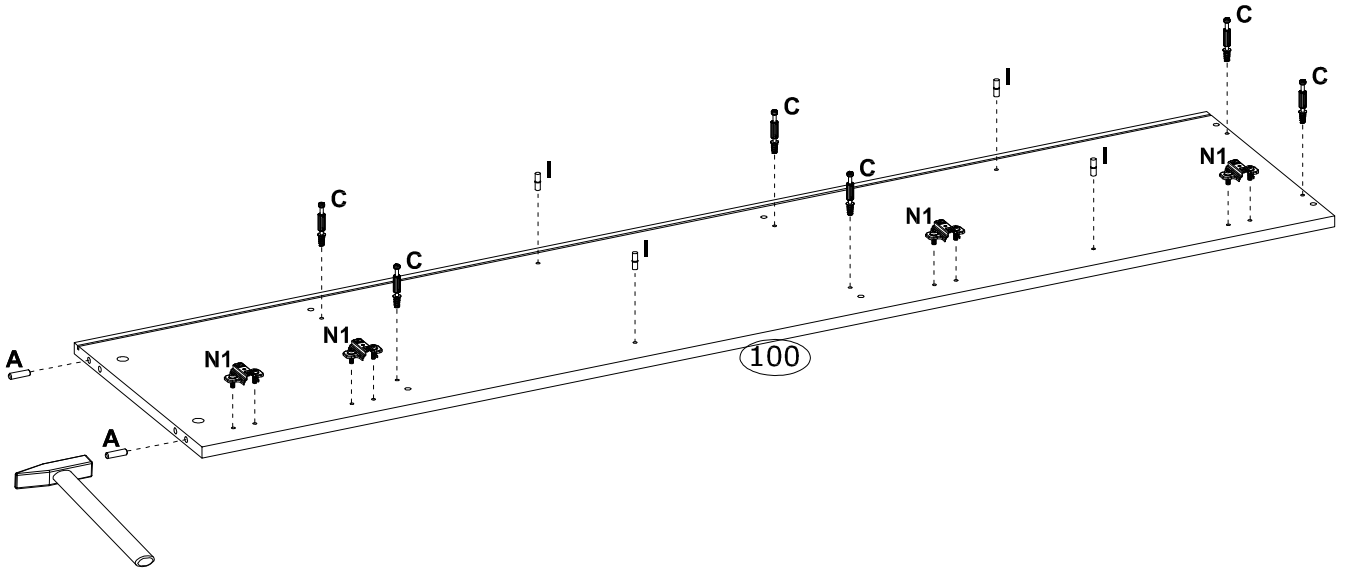
3

<p>A</p> <p>Ø8x30 mm</p>  <p>x4 3989</p>	<p>Ø5x16 mm</p>  <p>x4 4017</p>	
--	--	--

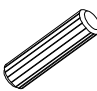
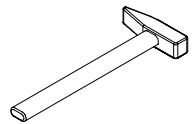


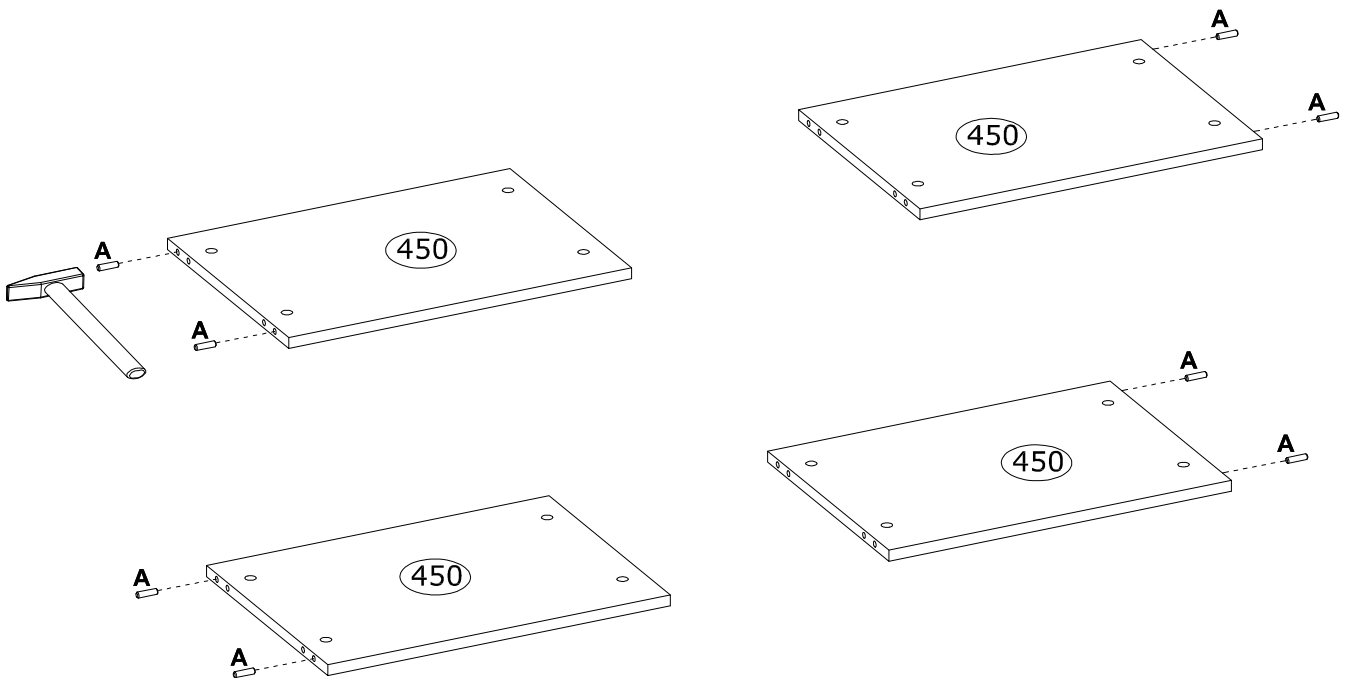
4

A  x2 3989	C  x6 4066	I  x4 4017	N  x4 IN01640	
---	---	---	--	--



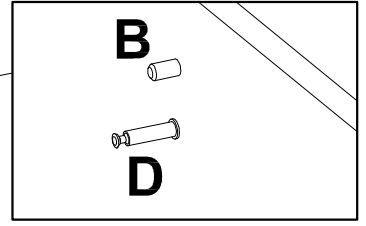
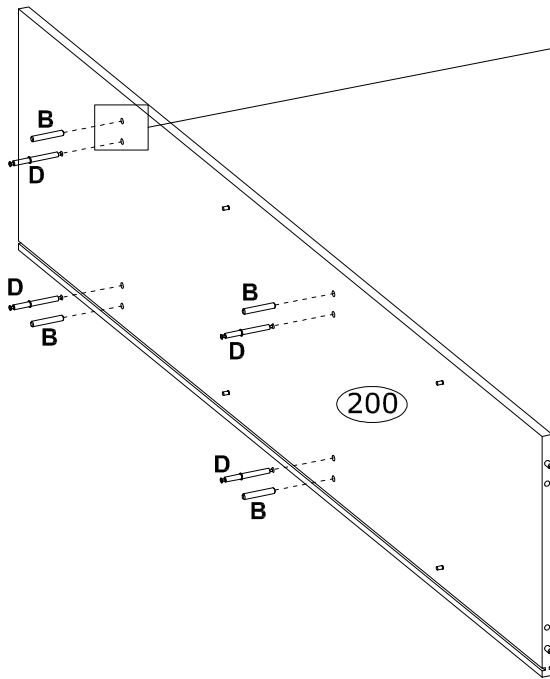
5

A  x8 3989	
---	---



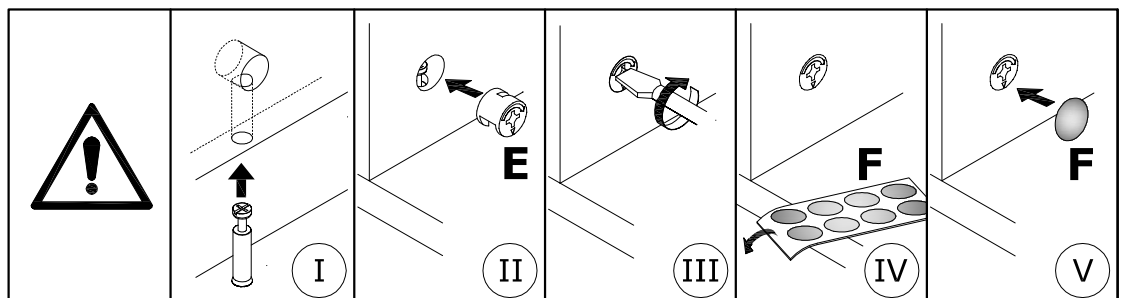
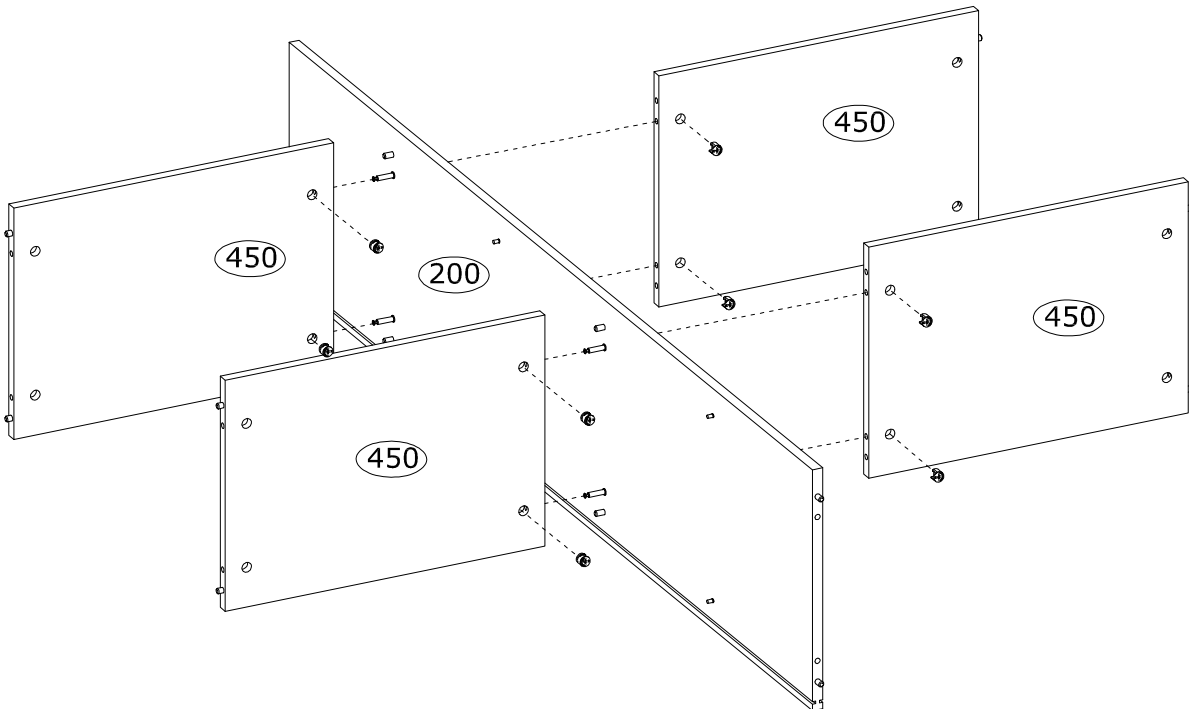
4

B Ø8x50 mm  x4 3991	D Ø6,5x76 mm  x4 4062	
--	--	--



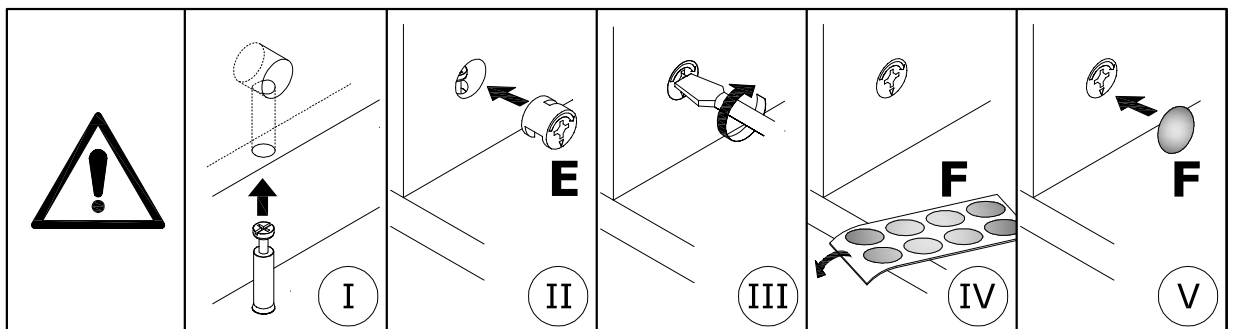
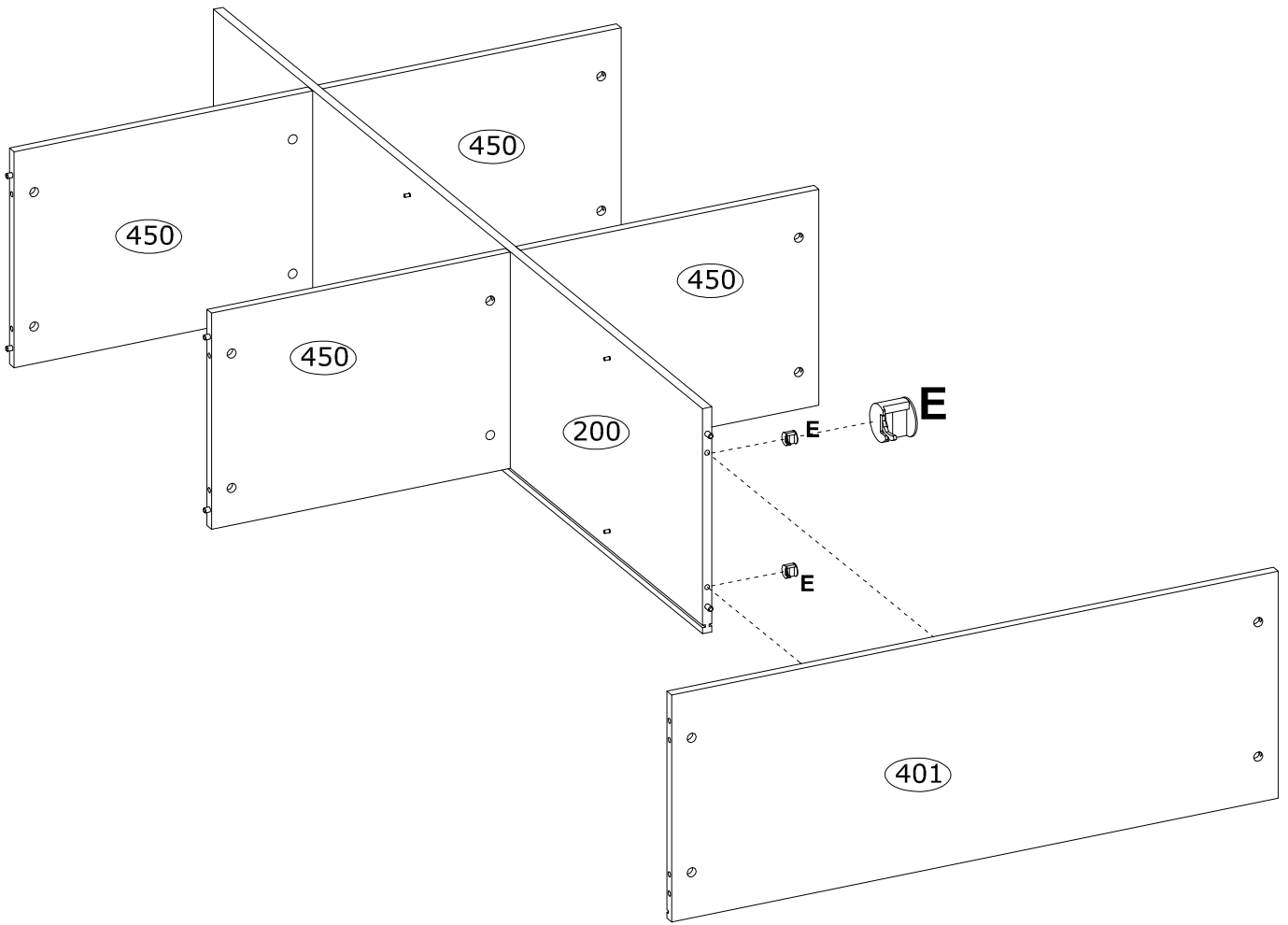
5

E Ø15x12 mm  x8 3996	F Ø20 mm  x8 136239	
--	---	--



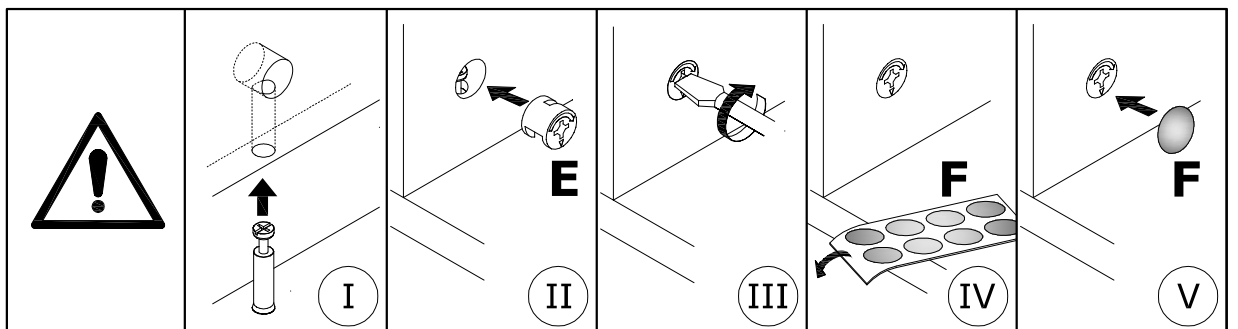
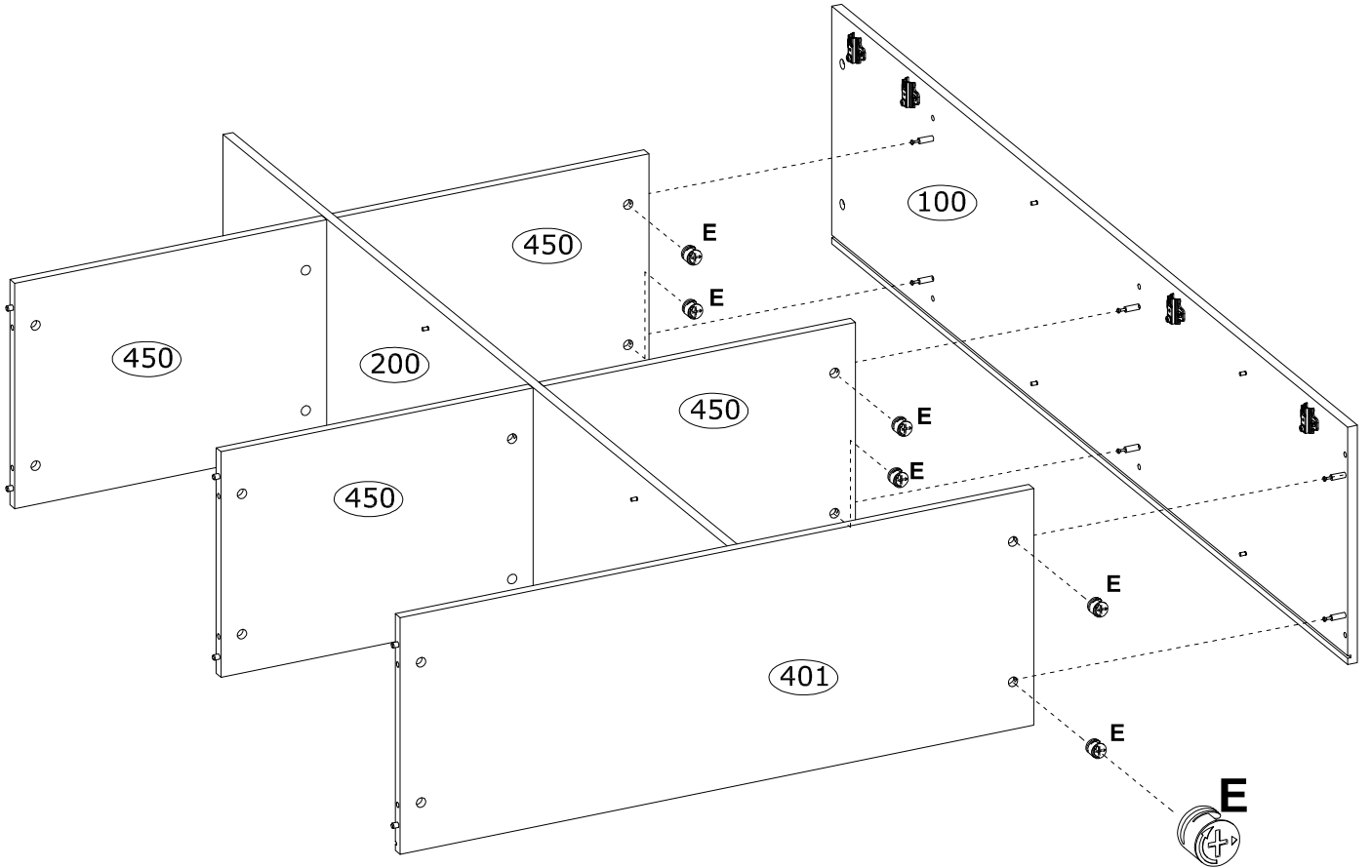
6

E Ø15x12 mm  x2 3996	F Ø20 mm  x2 136239	
--	---	--


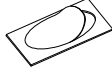
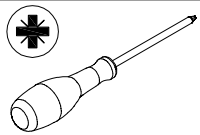


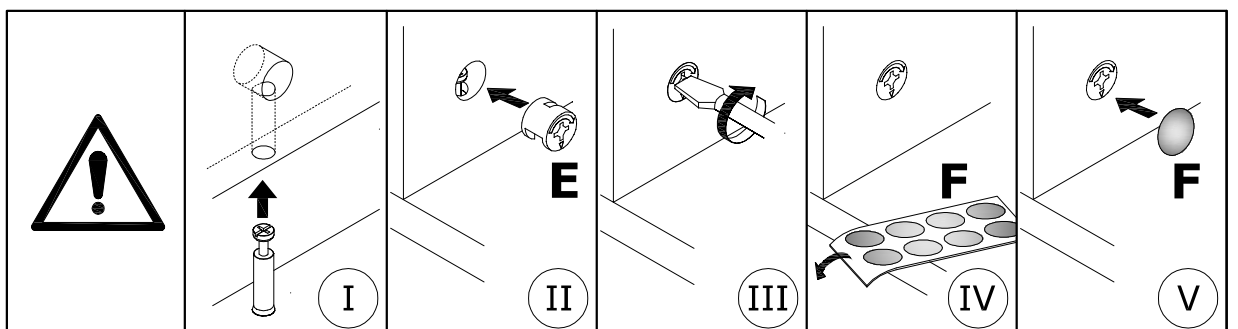
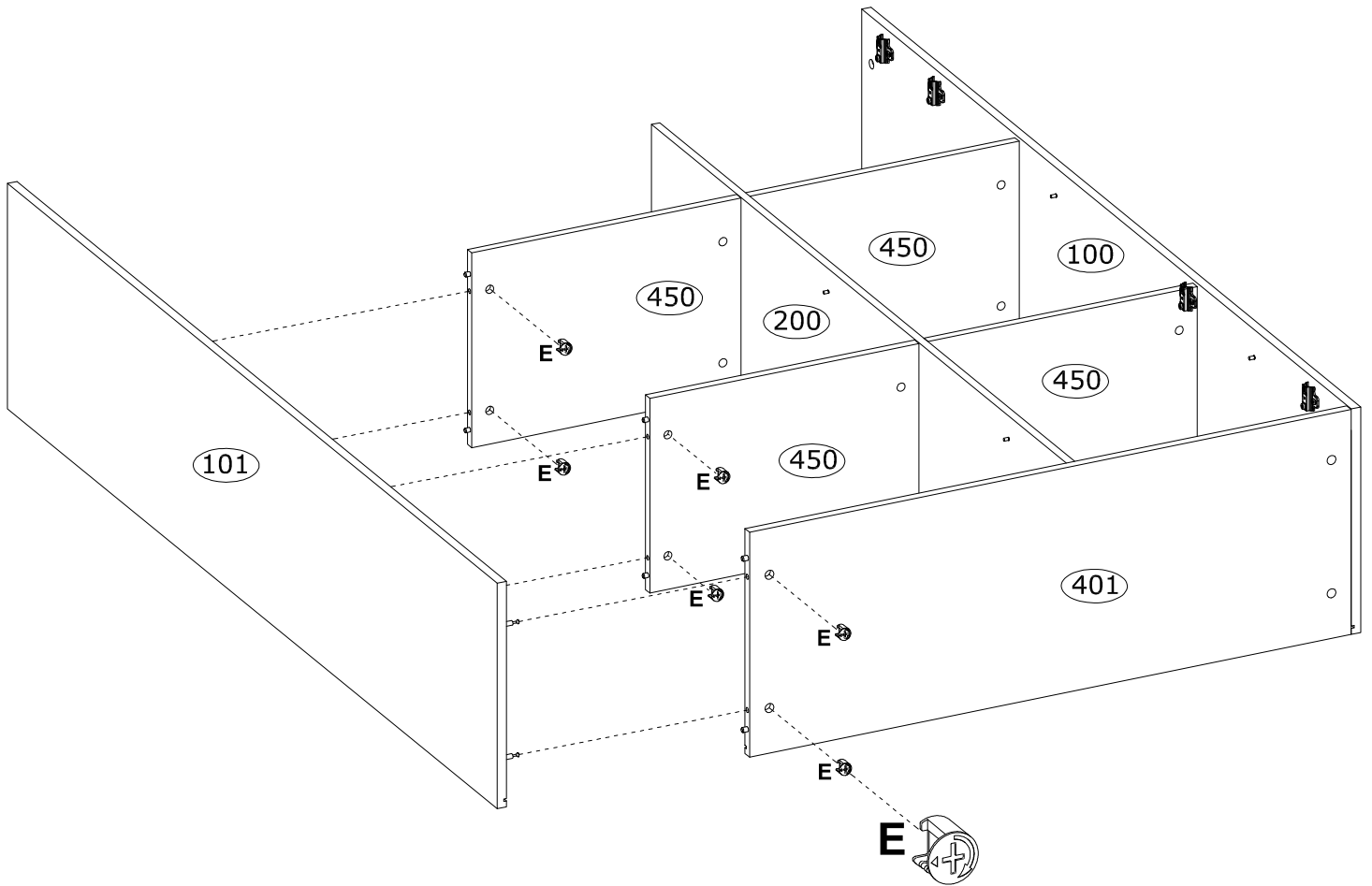
7

E Ø15x12 mm  x6 3996	F Ø20 mm  x6 136239	
--	---	--





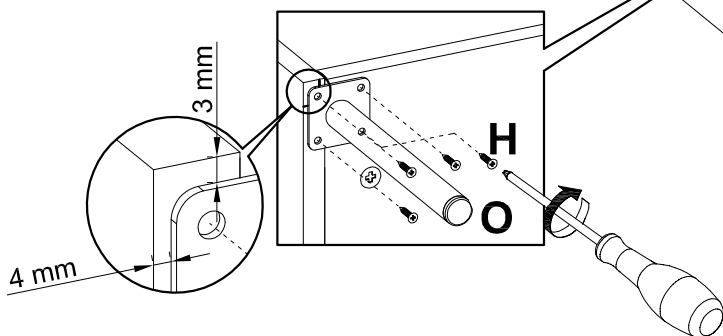
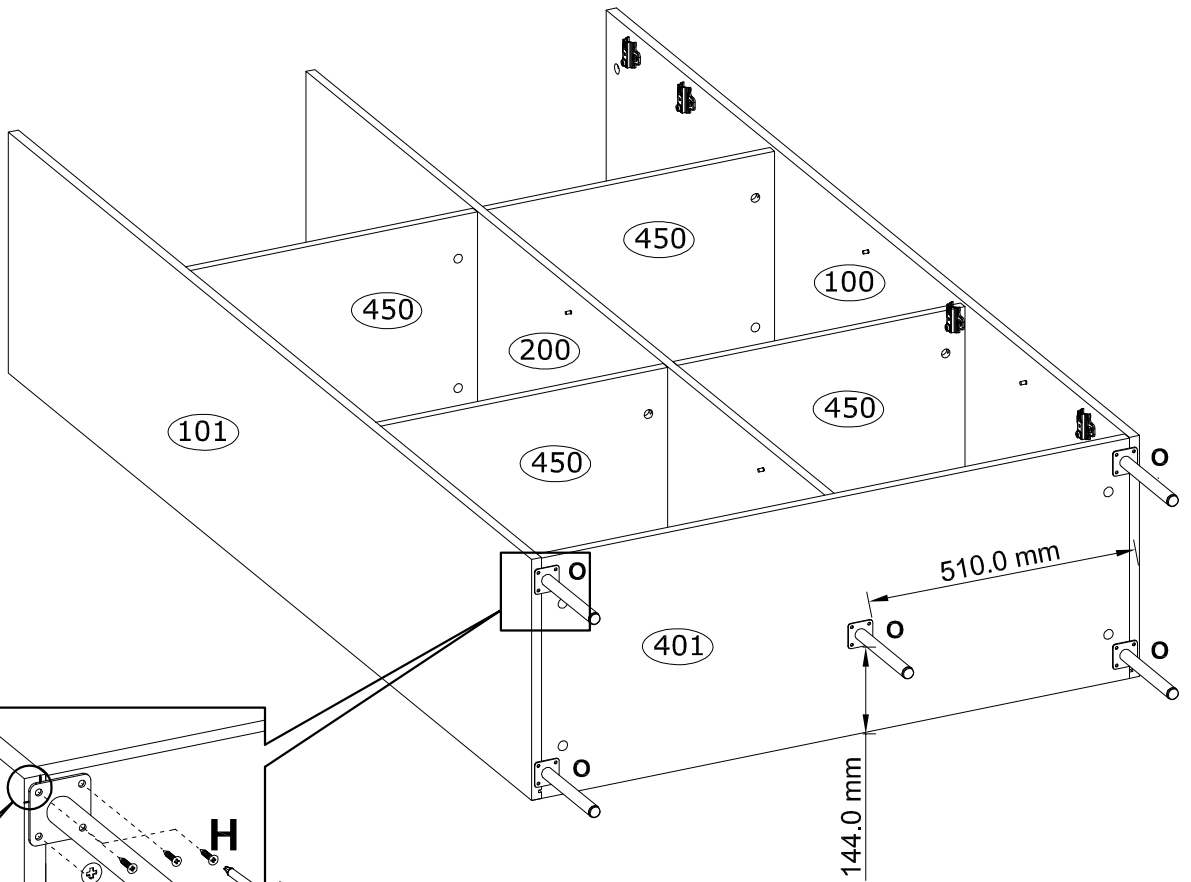
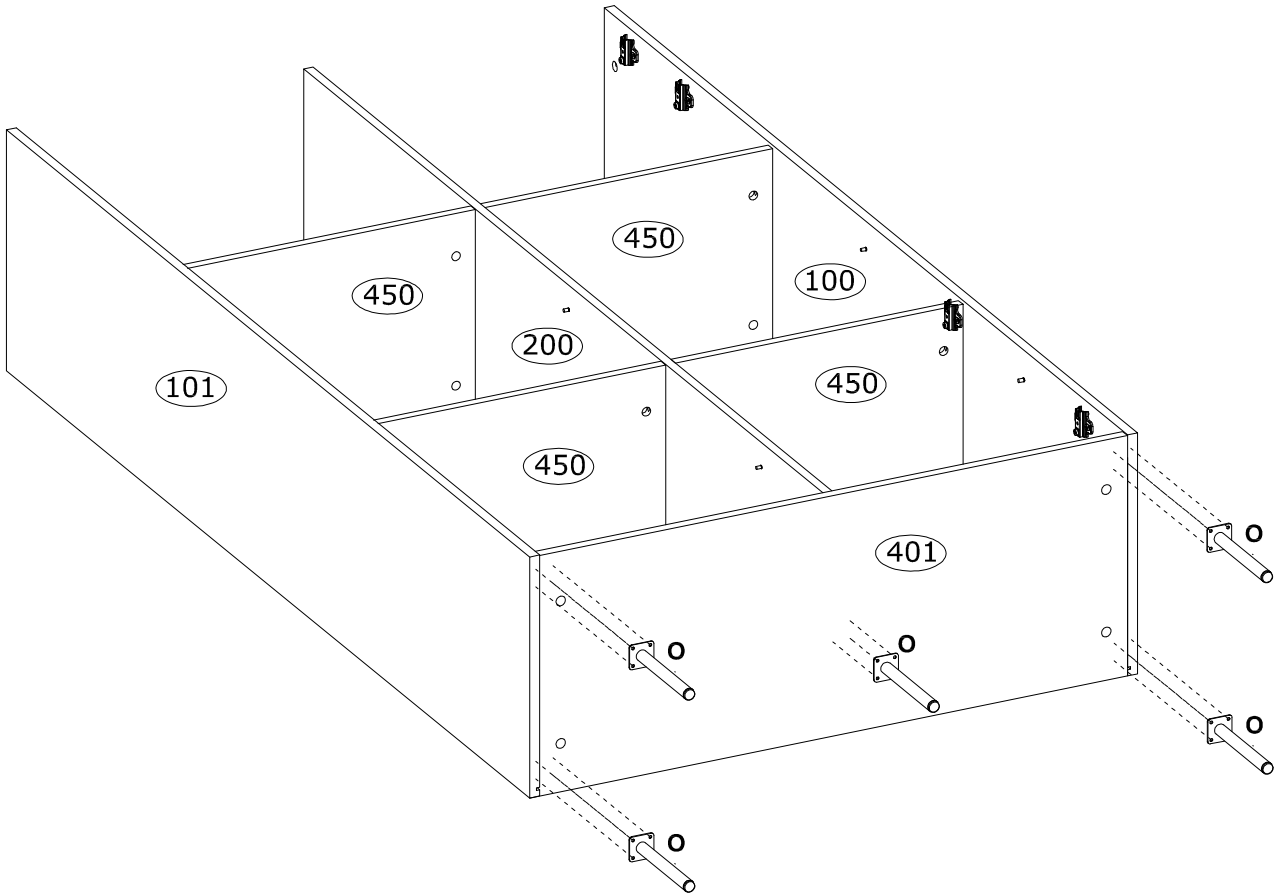
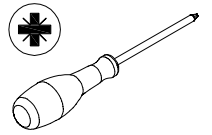
8

E Ø15x12 mm  x6 3996	F Ø20 mm  x6 136239	
--	---	--

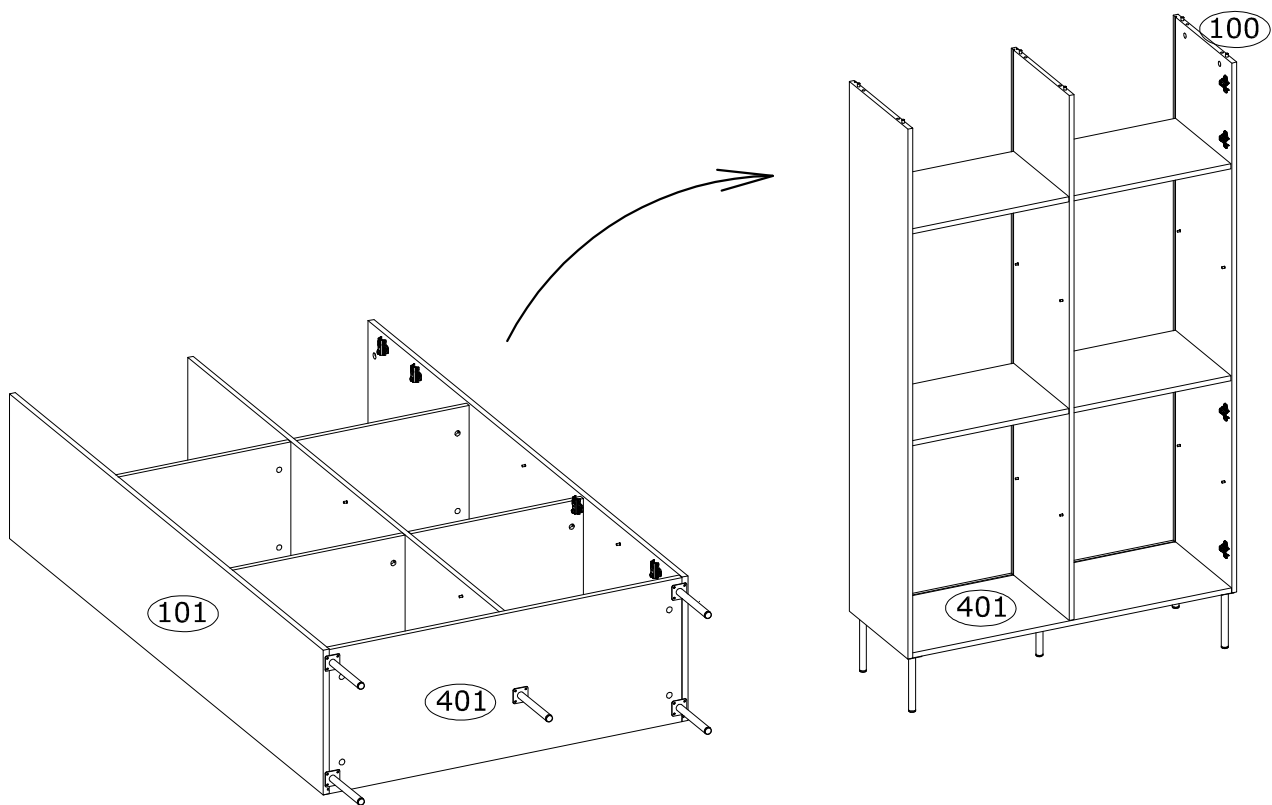


9

 Ø20, H-180	 H Ø3,5x16 mm
x5 232943	x20 3918

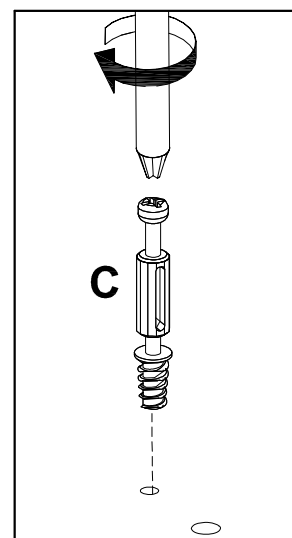
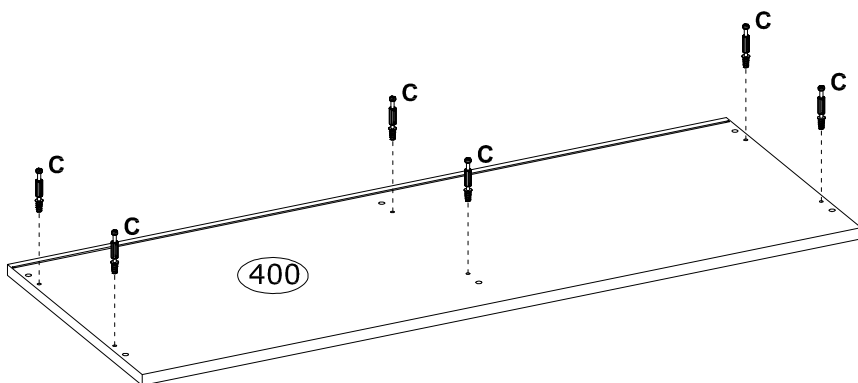
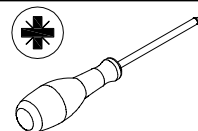


10

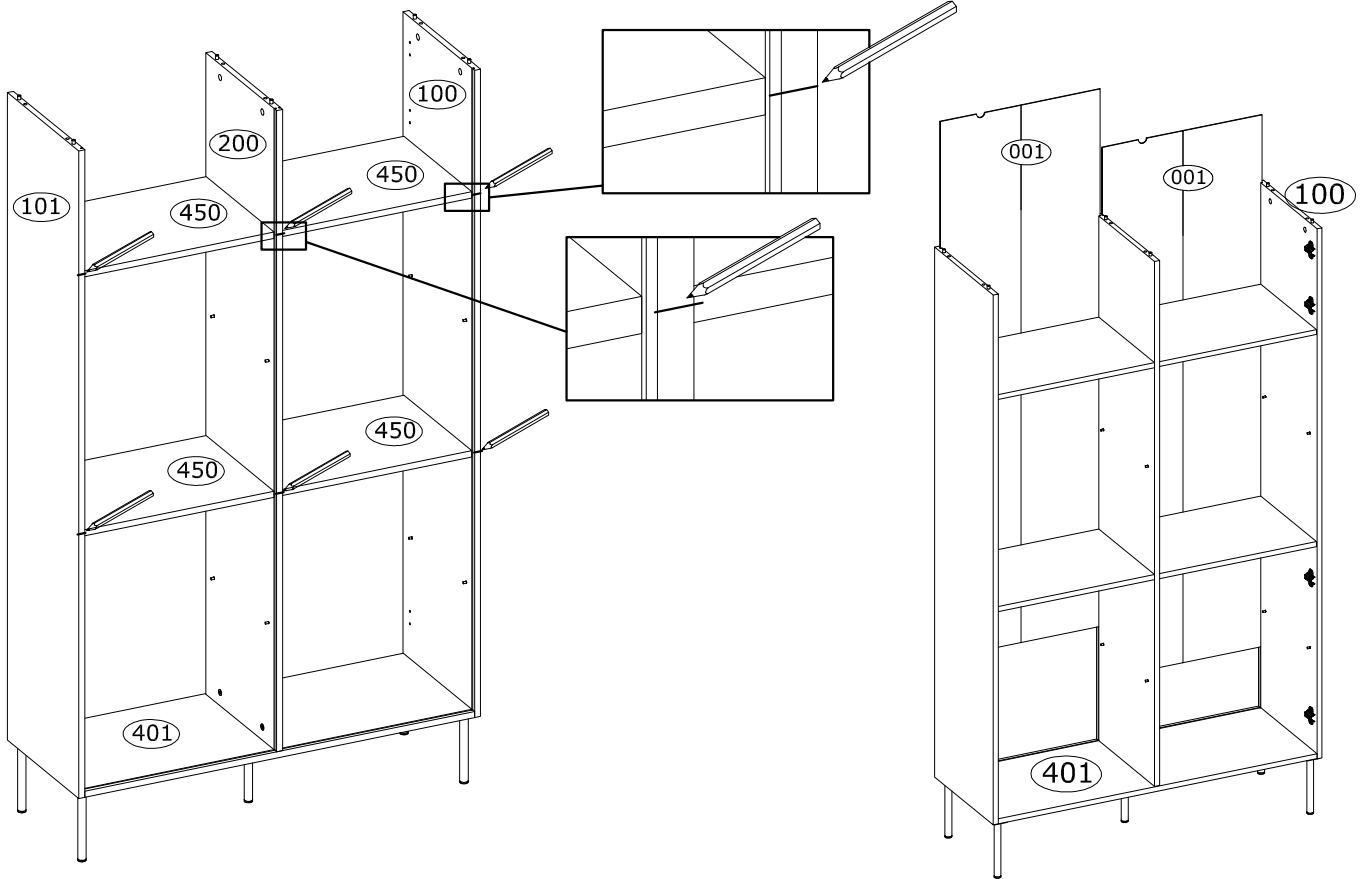
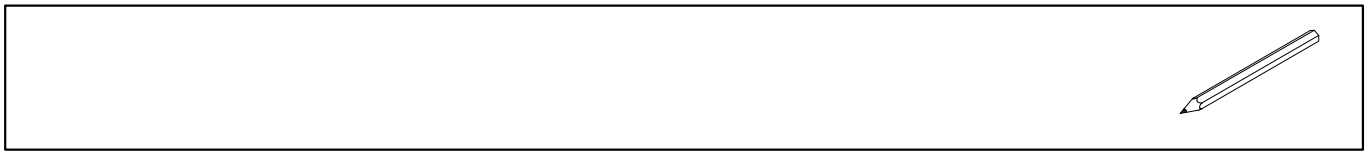


11

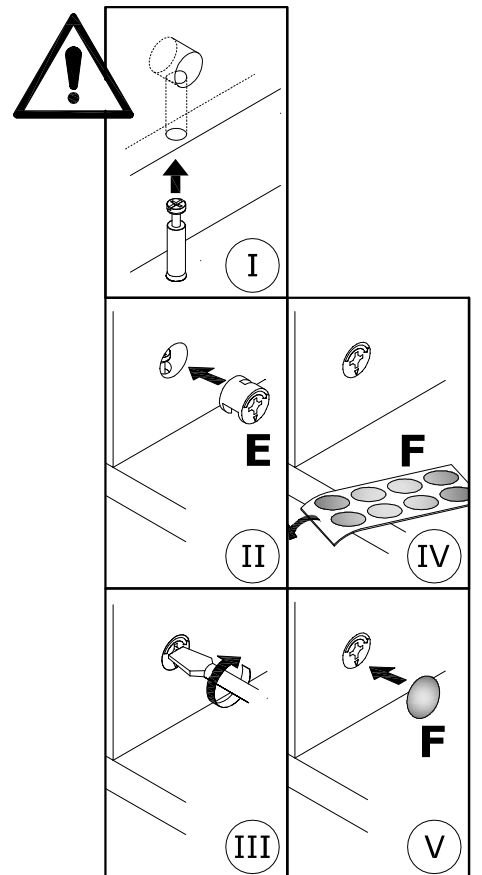
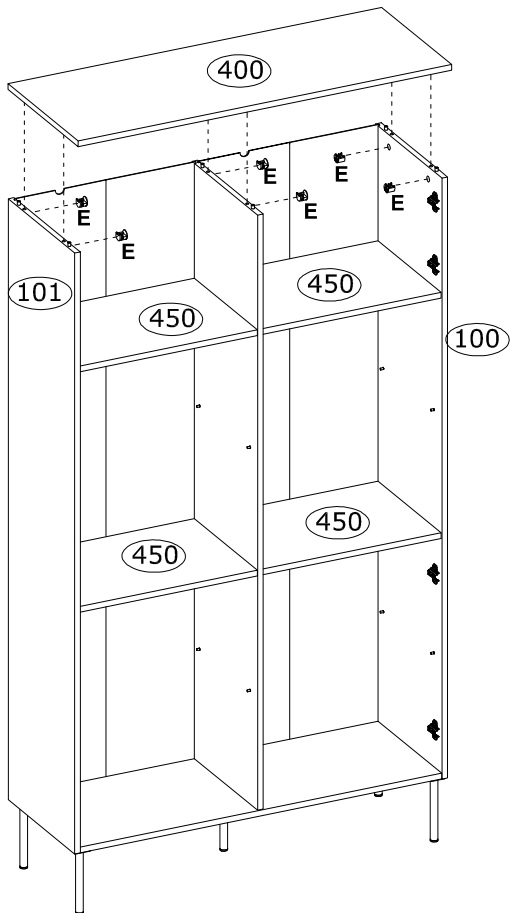
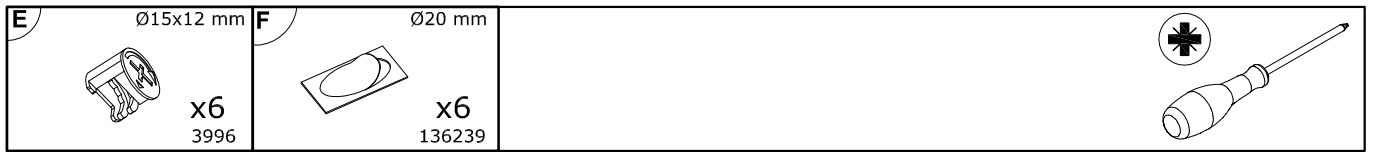
C
Ø6,5x36,5 mm
x6
4066




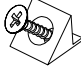
12

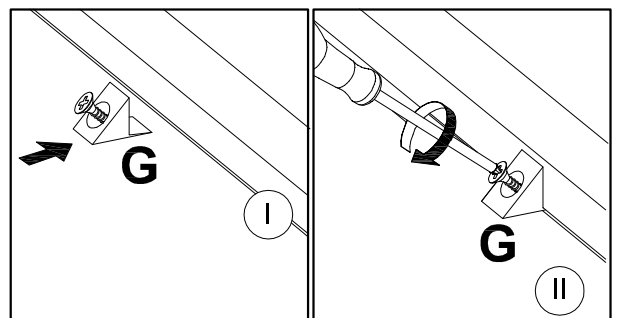
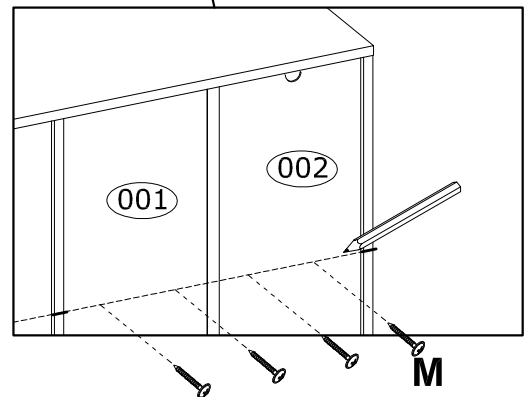
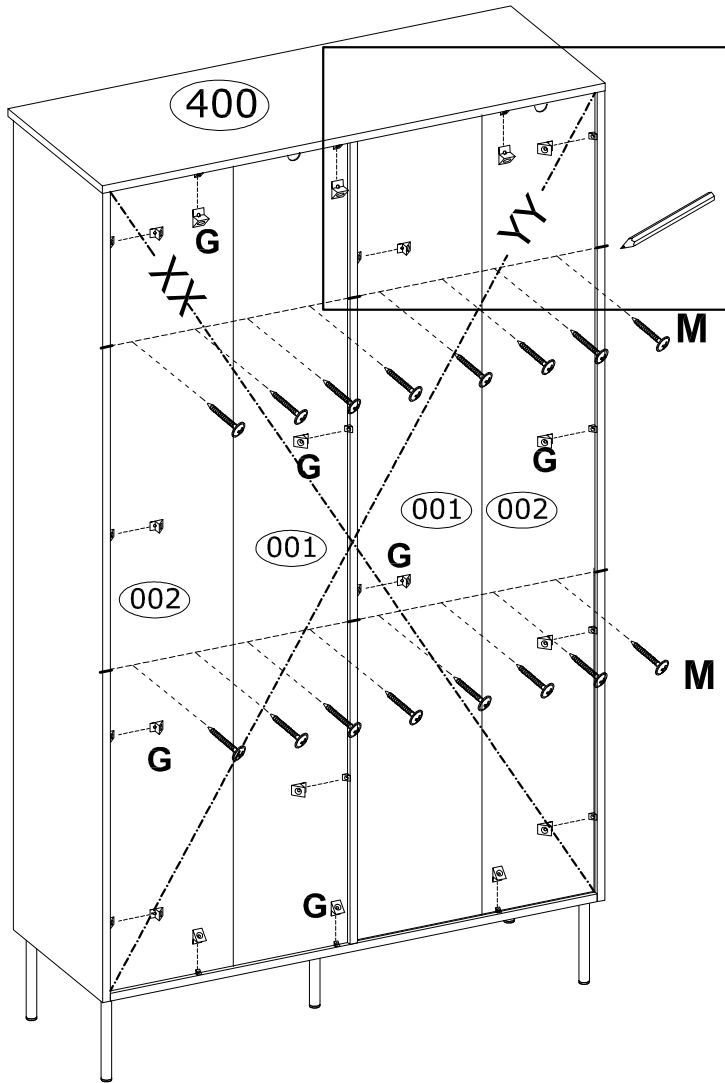
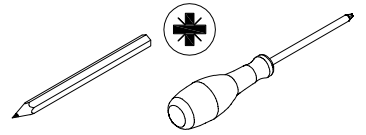


13





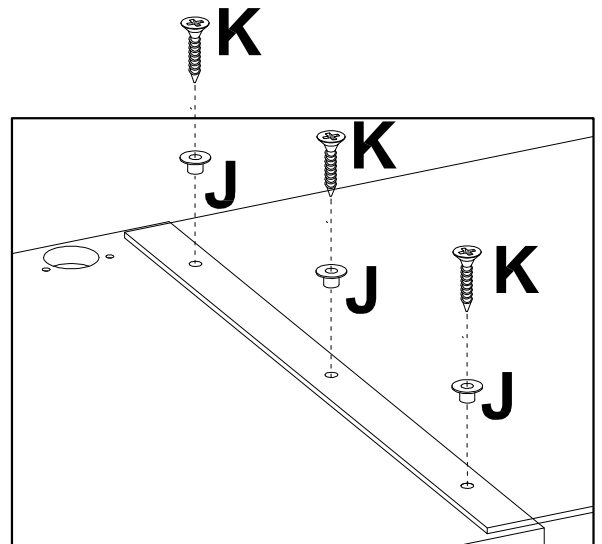
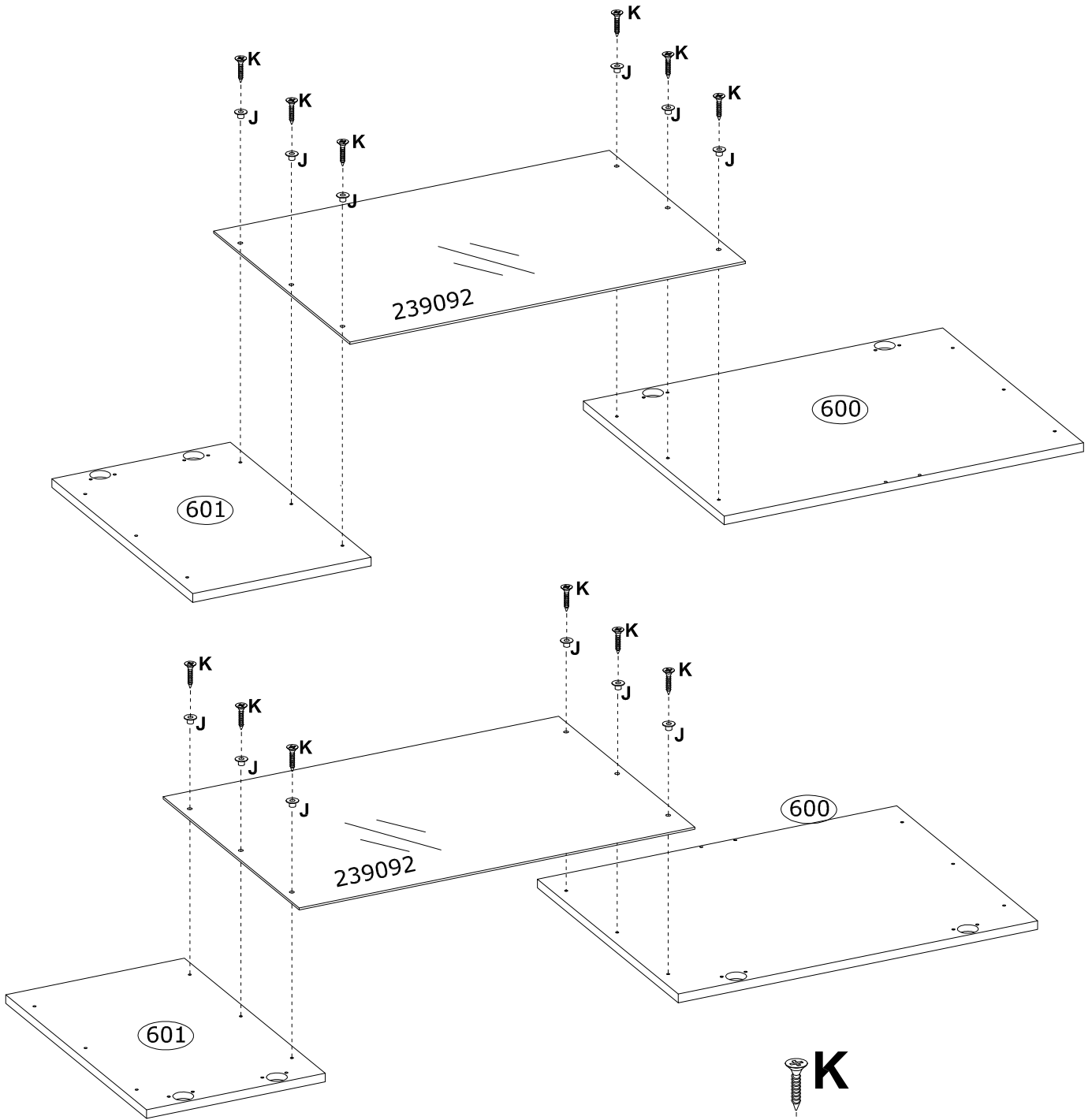
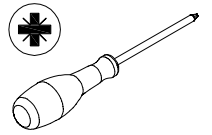
14




M  Ø3,0x25 mm x16 3887	G  15x14x11 mm x20 4044
--	---




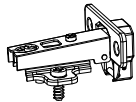

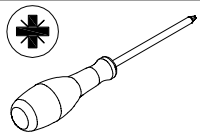
15

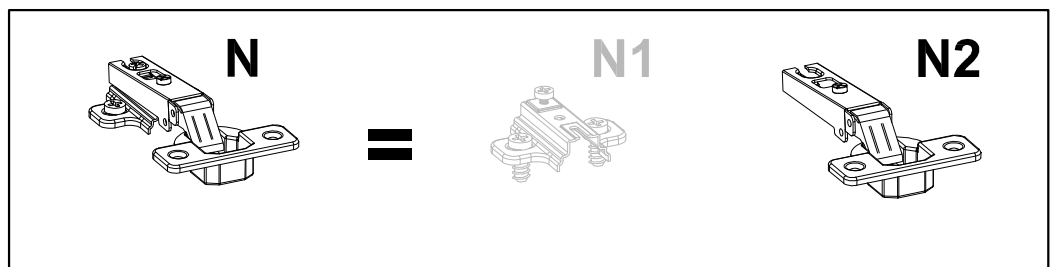
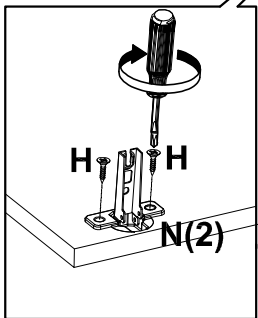
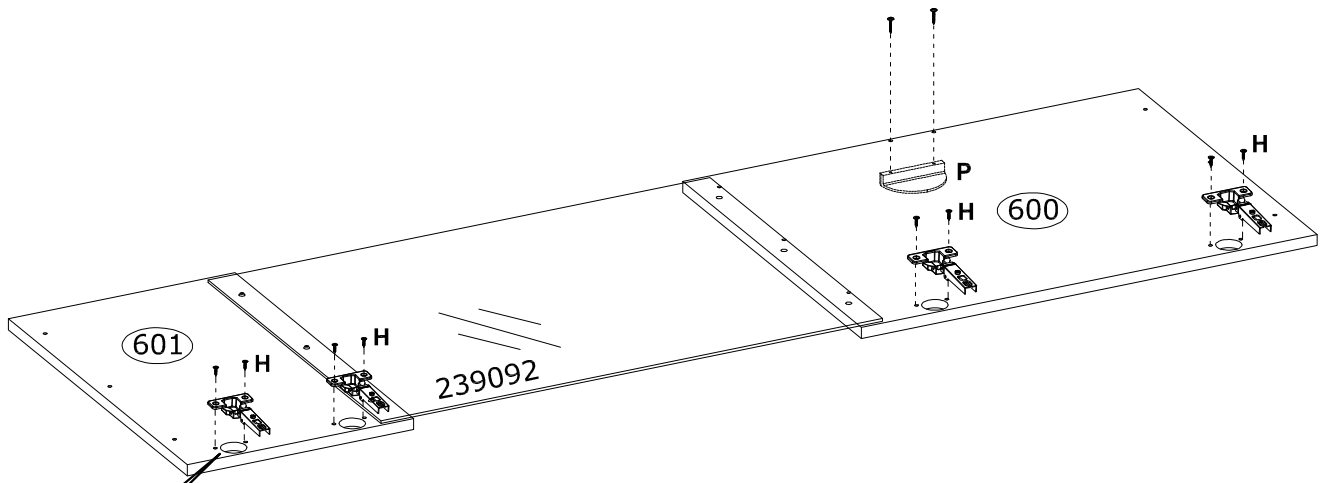
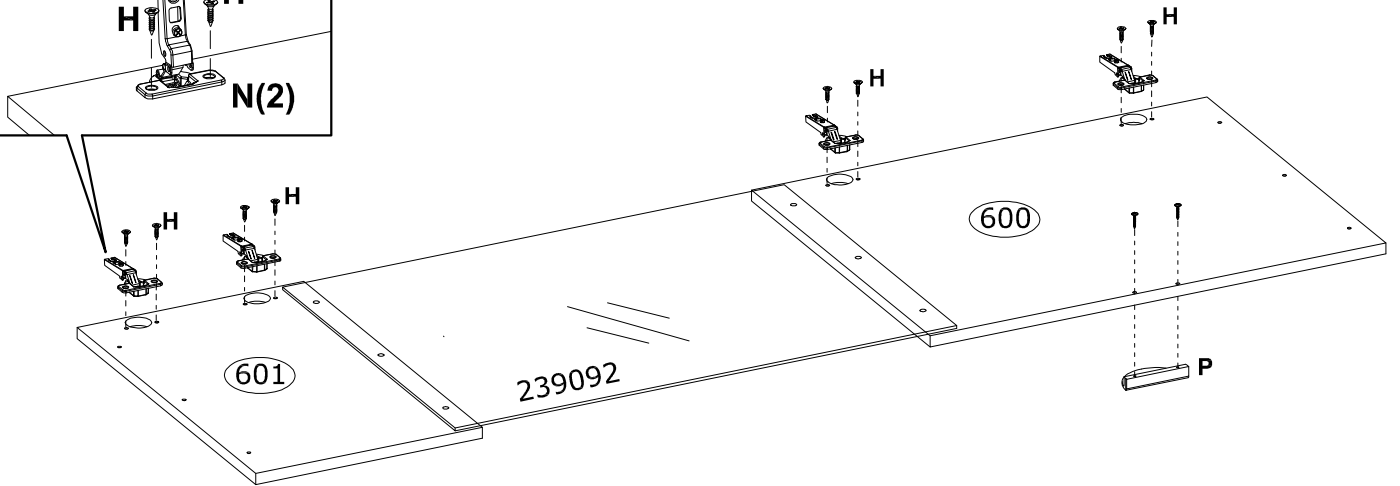
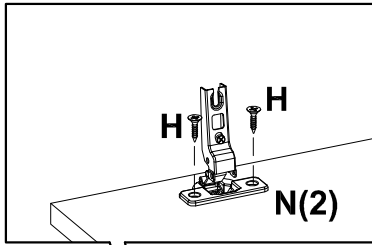
J Ø4 mm  x12 IN00988	K Ø4,0x16 mm  x12 3923
---	---



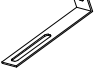

	H  Ø3,5x16mm	K  Ø4x16mm
---	--	--

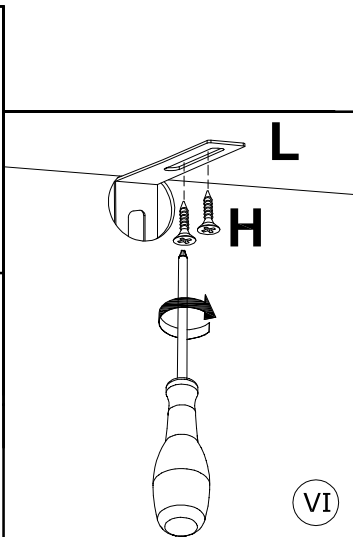
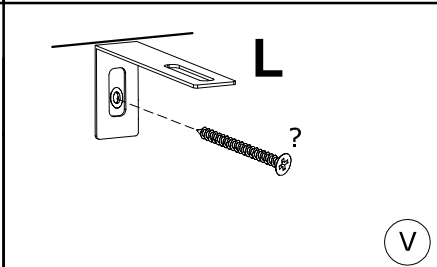
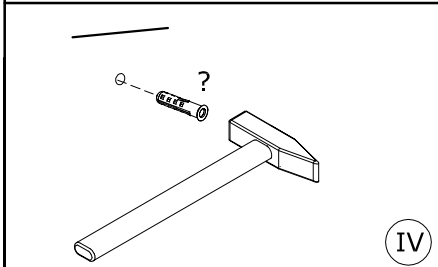
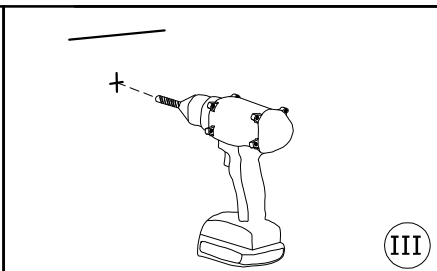
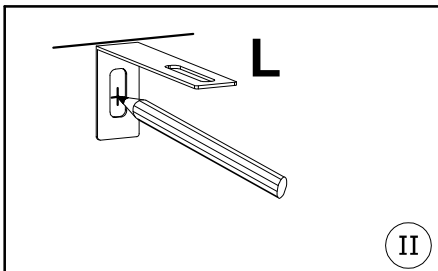
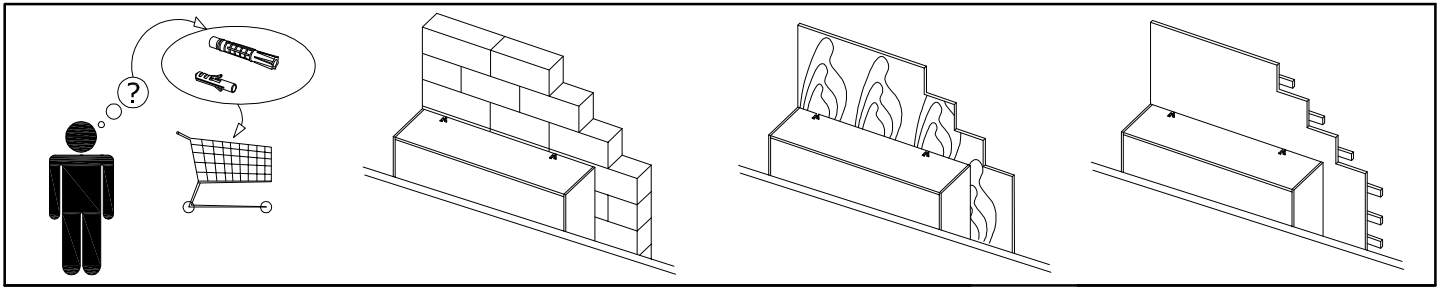
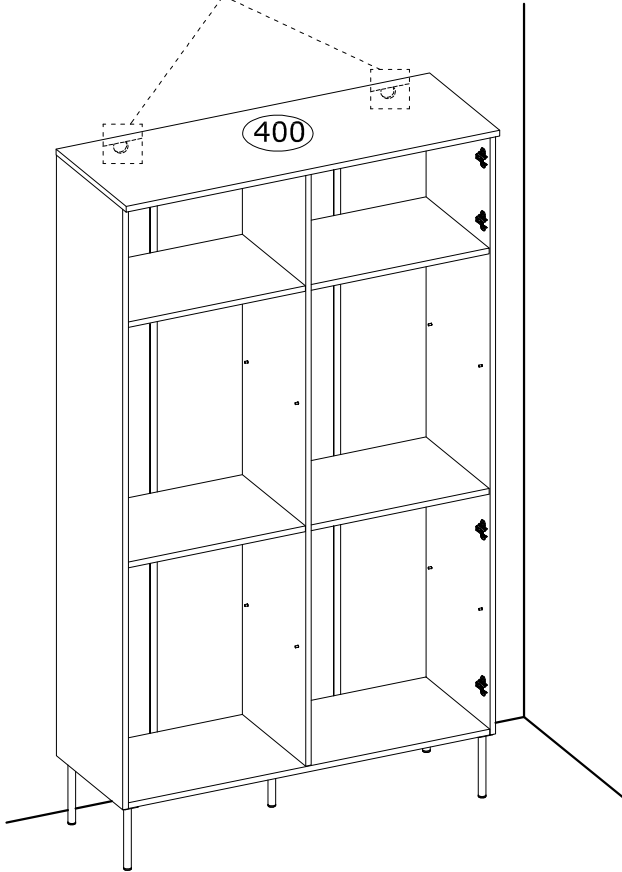
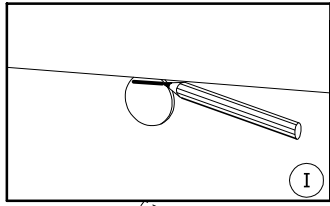
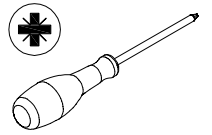
16

P 96X48X20 mm  x2 236246 236248	N Ø35 mm , KR0  x8 IN01640	H Ø3,5x16 mm  x20 3918	
---	---	--	--

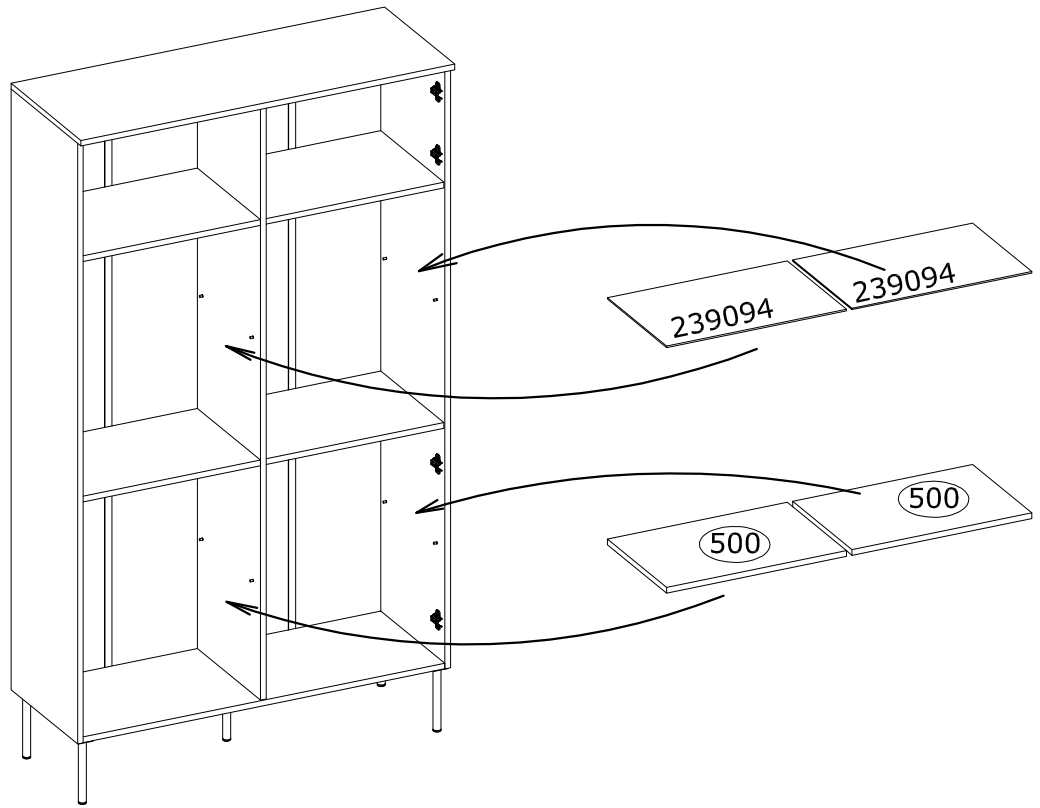


17

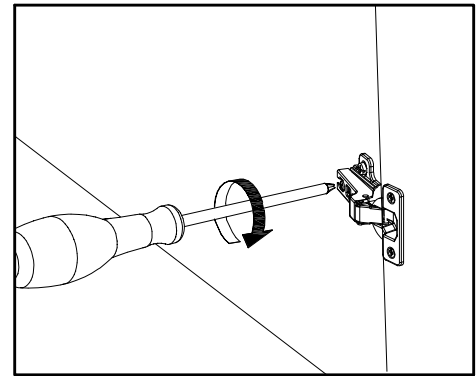
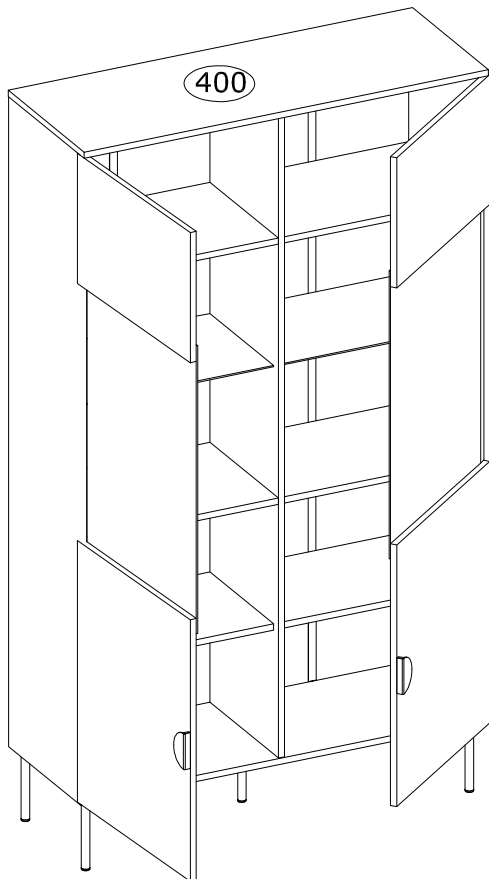
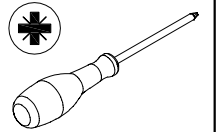
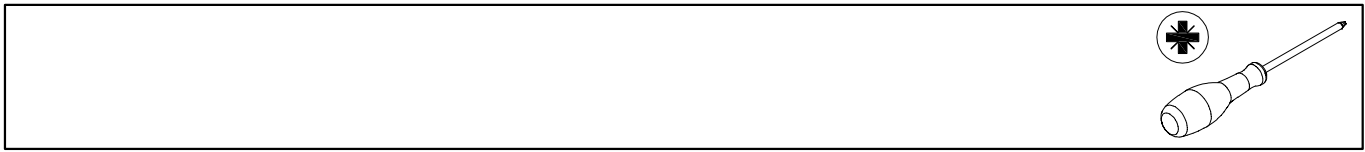
L 75x15x32 mm  x2 71900	H Ø3,5x16 mm  x4 3918
---	---

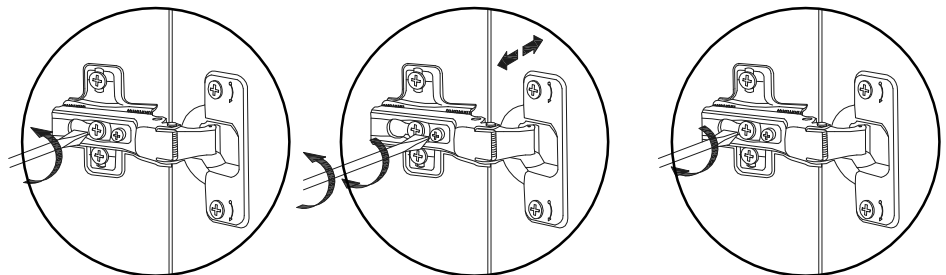
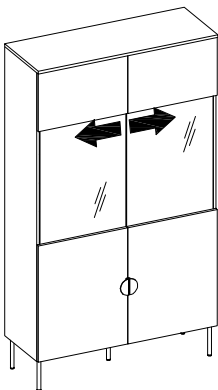
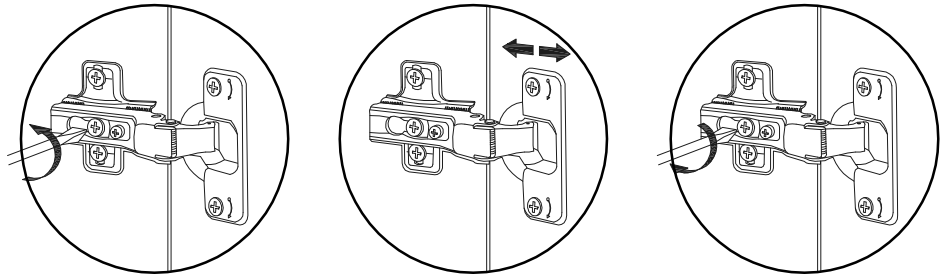
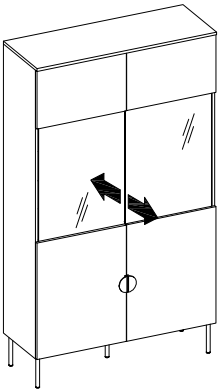
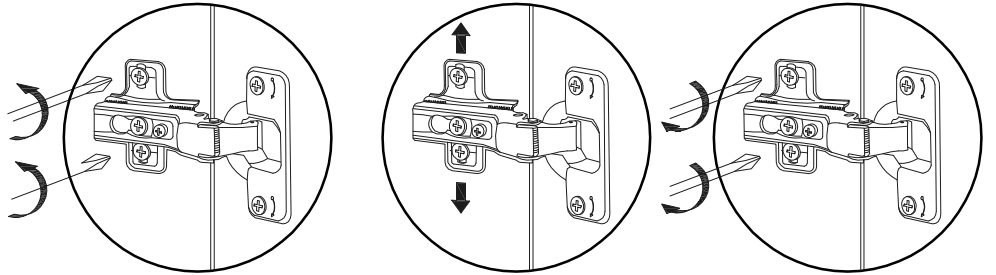
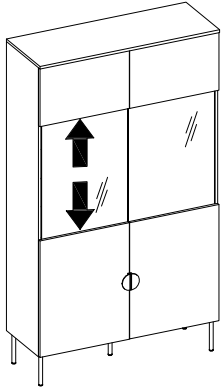


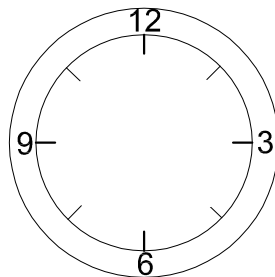
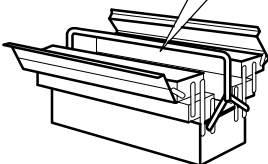
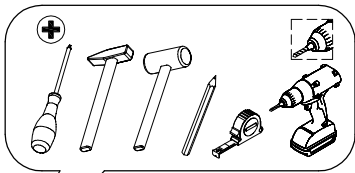
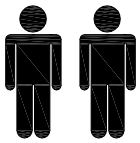
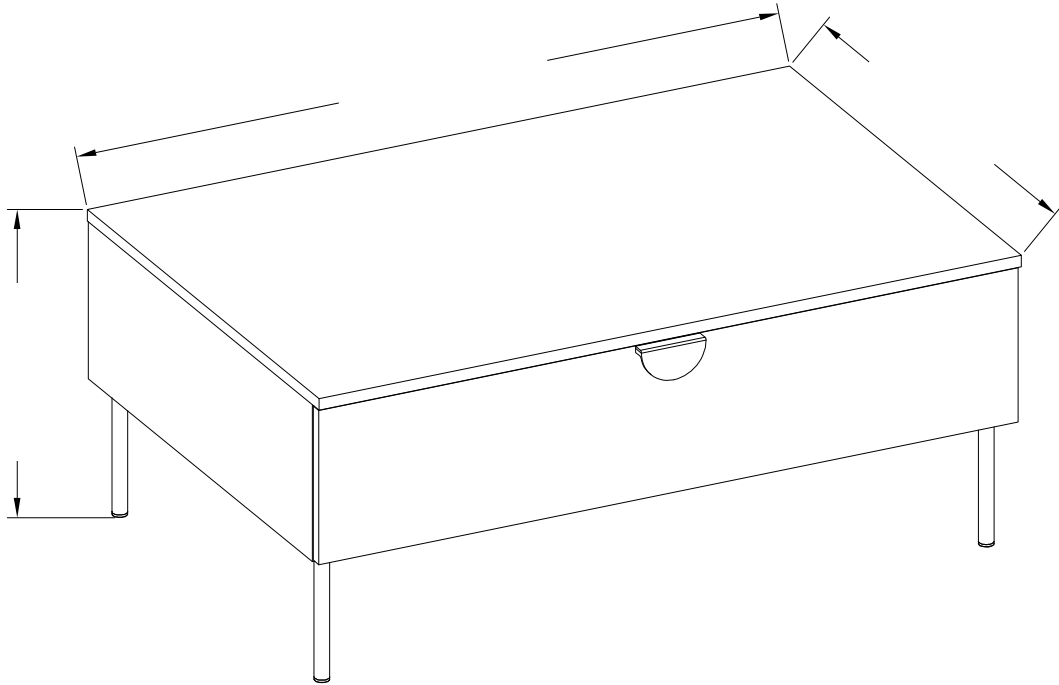
18

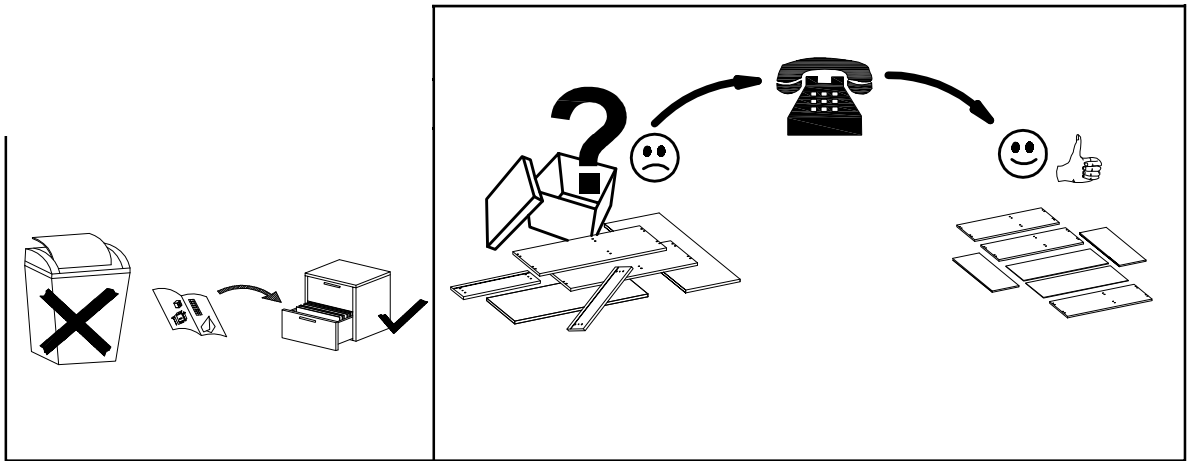


19

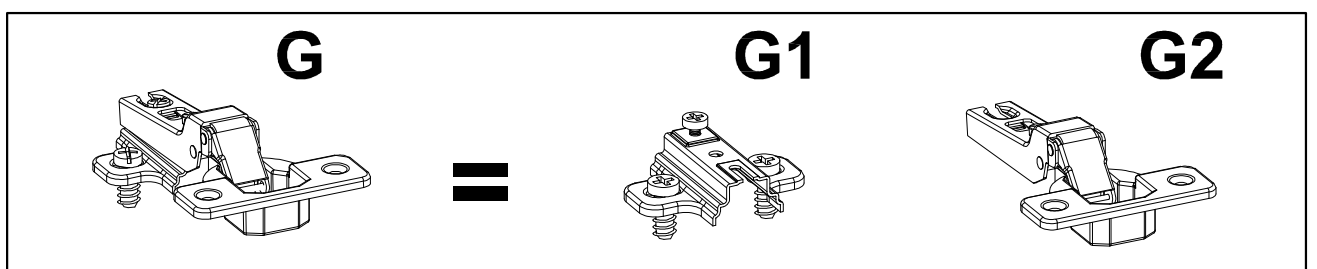
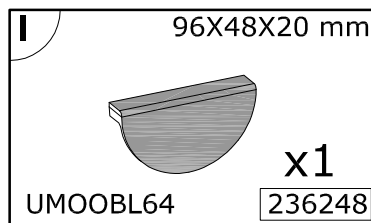
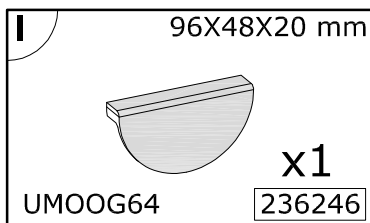




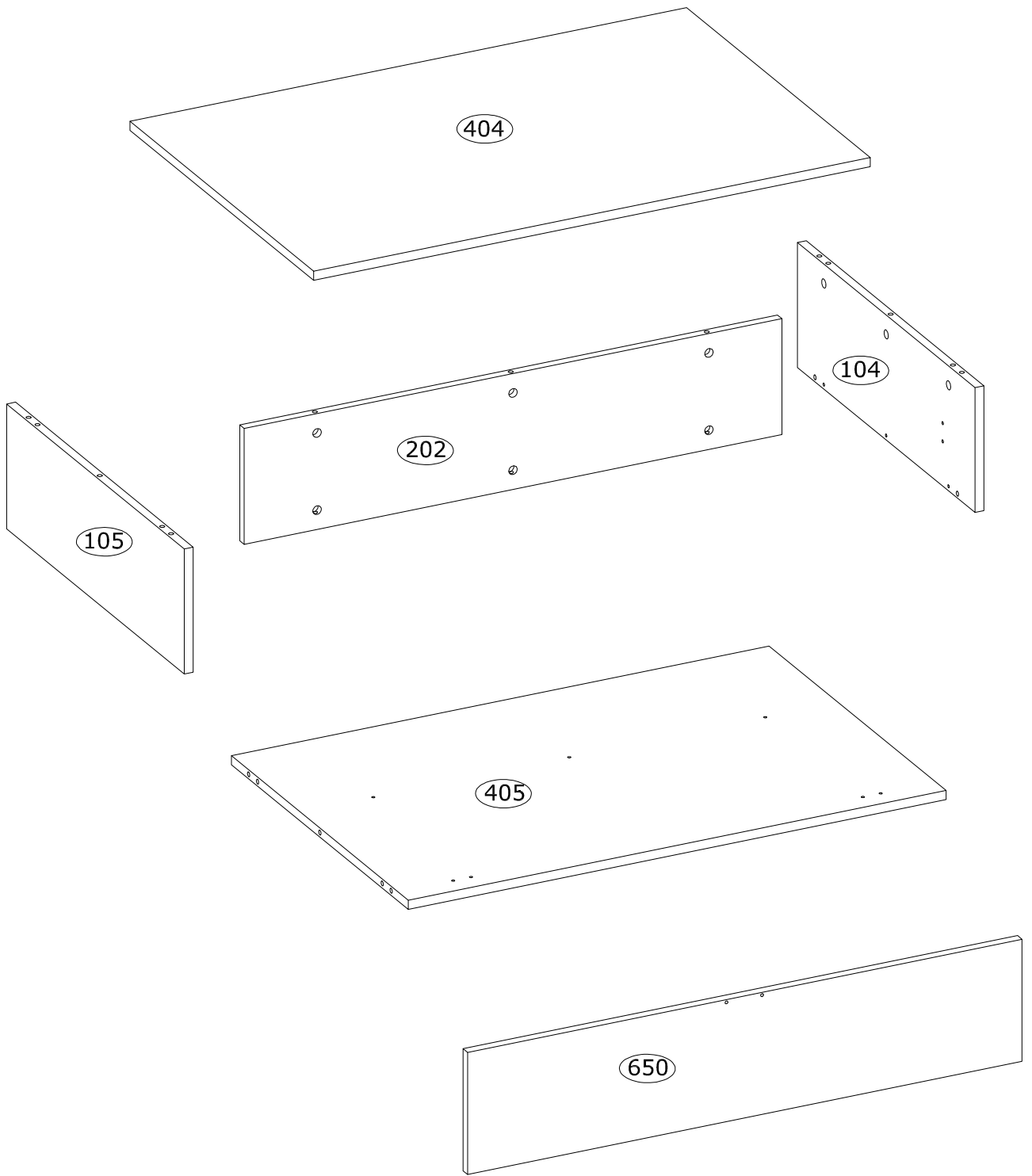




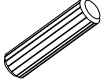

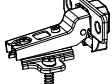
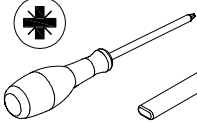
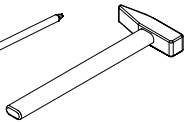
A $\varnothing 8 \times 30$ mm x8 3989	B $\varnothing 6,5 \times 36,5$ mm x18 4066	C $\varnothing 15 \times 12$ mm x18 3996	D $\varnothing 20$ mm x12 136239	E $\varnothing 3,0 \times 13$ mm x12 3912
F $\varnothing 3,5 \times 16$ mm x20 3918	G $\varnothing 35$ mm, KR0 x2 67350	H $\varnothing 20$, H-180 x4 232943	I $96 \times 48 \times 20$ mm x1 236246 236248	J x2 74335

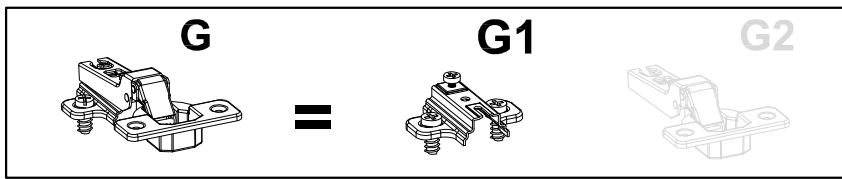
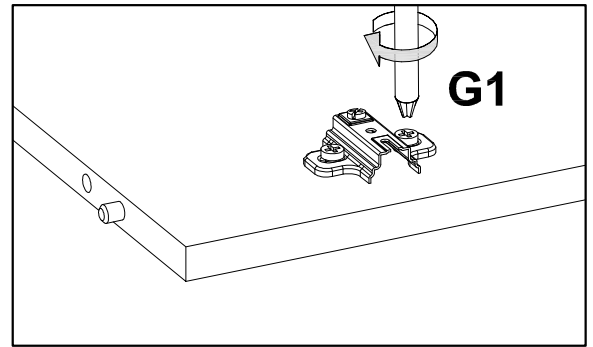
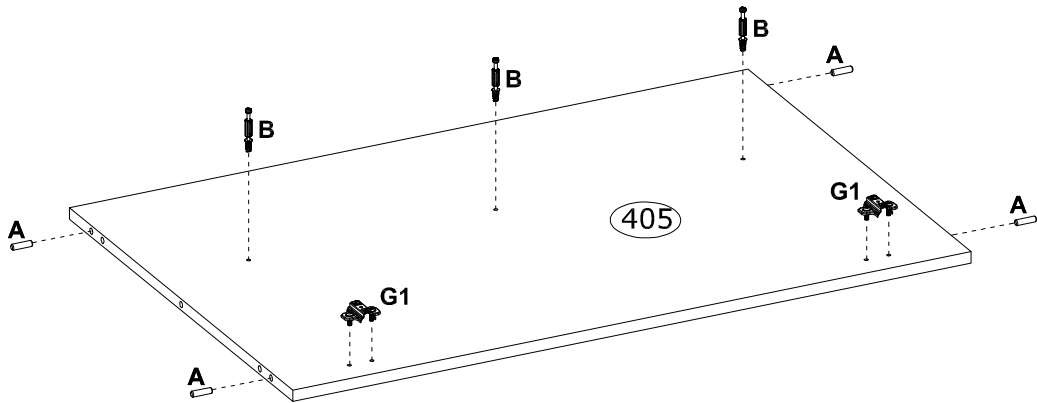


0
10
20
30
40
50
60
70
80
90
100
110
120
130
140
150
160
170
180
190
200


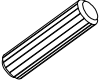
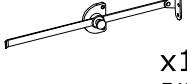

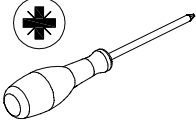


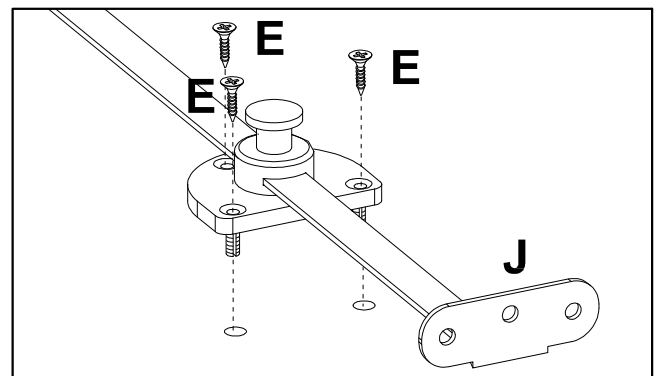
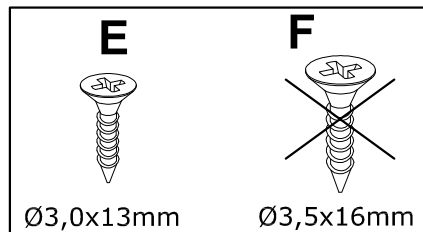
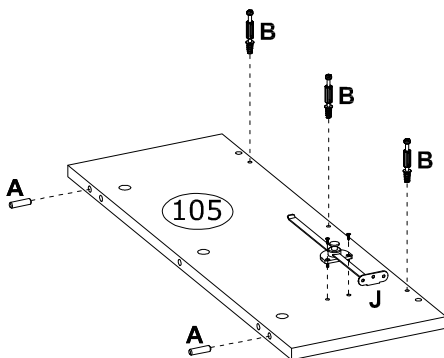
1

A $\varnothing 8 \times 30$ mm  x4 3989	C $\varnothing 6,5 \times 36,5$ mm  x3 4066	G $\varnothing 35$ mm, KR0  x2 67350	 
---	---	--	--


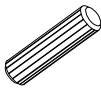
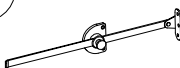

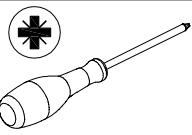


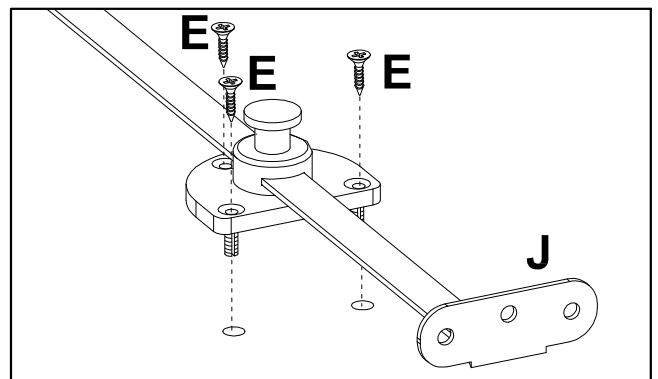
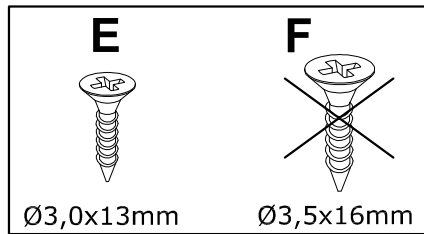
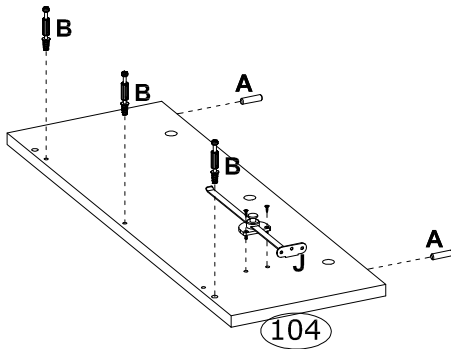
2

C $\varnothing 6,5 \times 36,5$ mm  x3 4066	A $\varnothing 8 \times 30$ mm  x2 3989	J  x1 74335	E $\varnothing 3,0 \times 13$ mm  x3 3912	
---	---	---	---	---



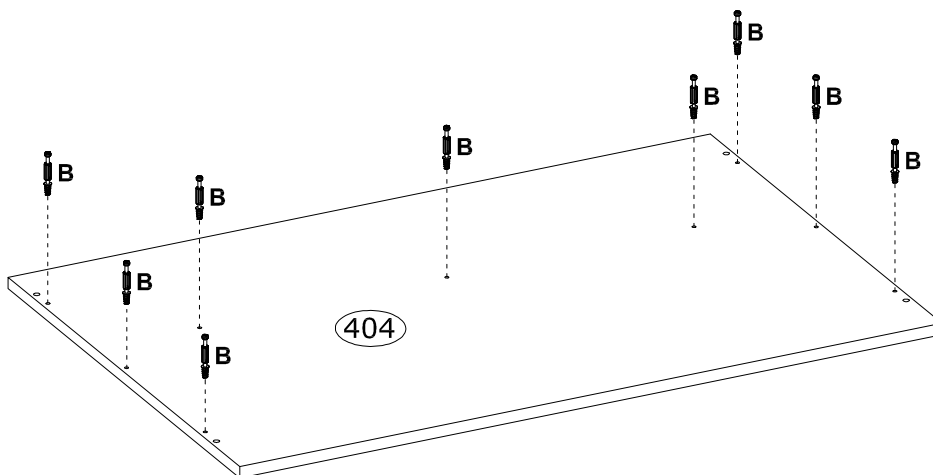
3

C Ø6,5x36,5 mm  x3 4066	A Ø8x30 mm  x2 3989	J  x1 74335	E Ø3,0x13 mm  x3 3912	
---	---	---	---	--



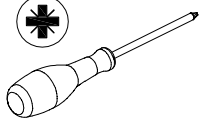


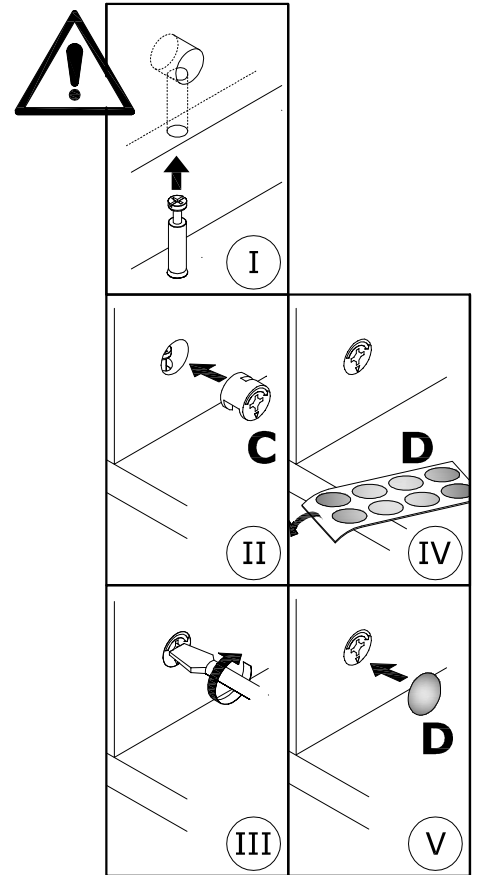
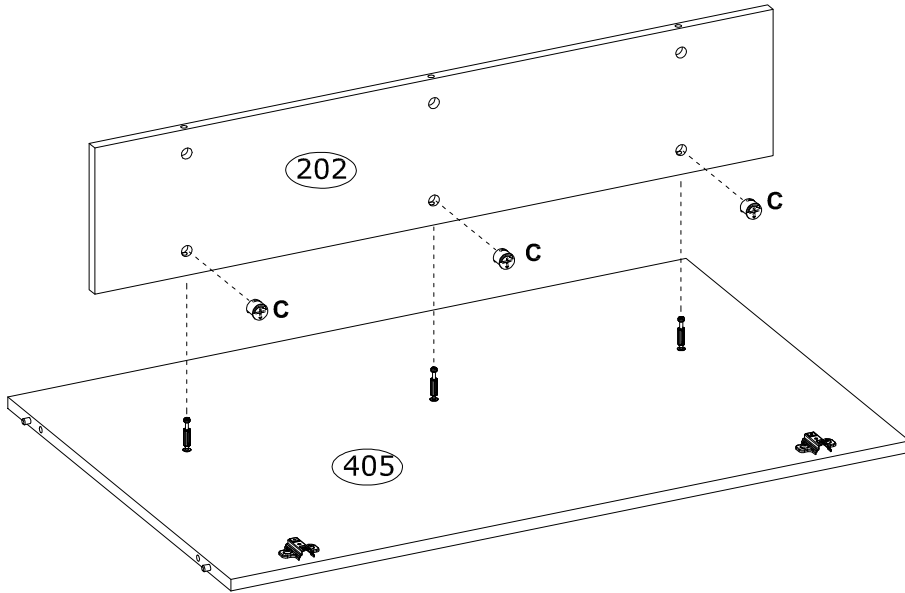
4

C Ø6,5x36,5 mm  x9 4066	
---	---


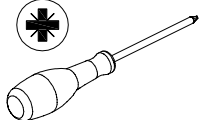


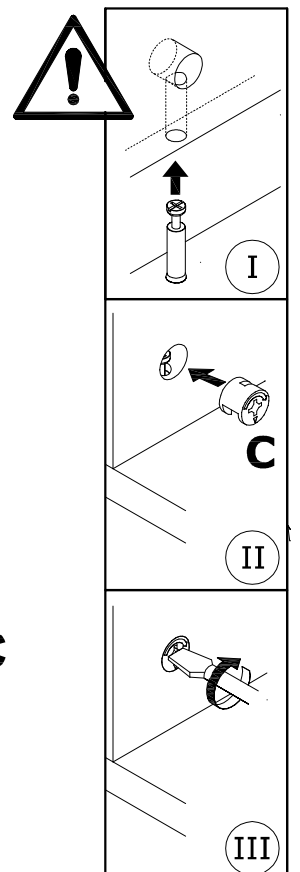
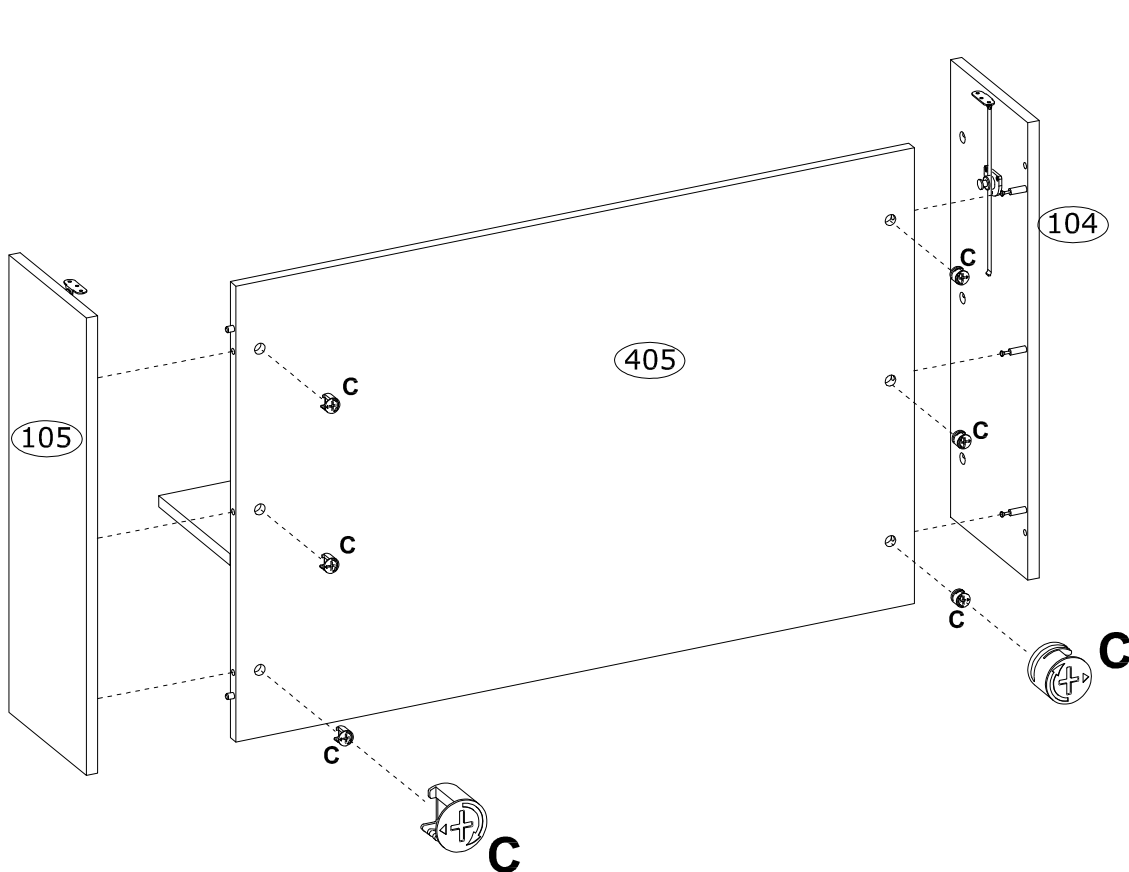
5

C Ø15x12 mm  x3 3996	D Ø20 mm  x3 136239	
--	---	--





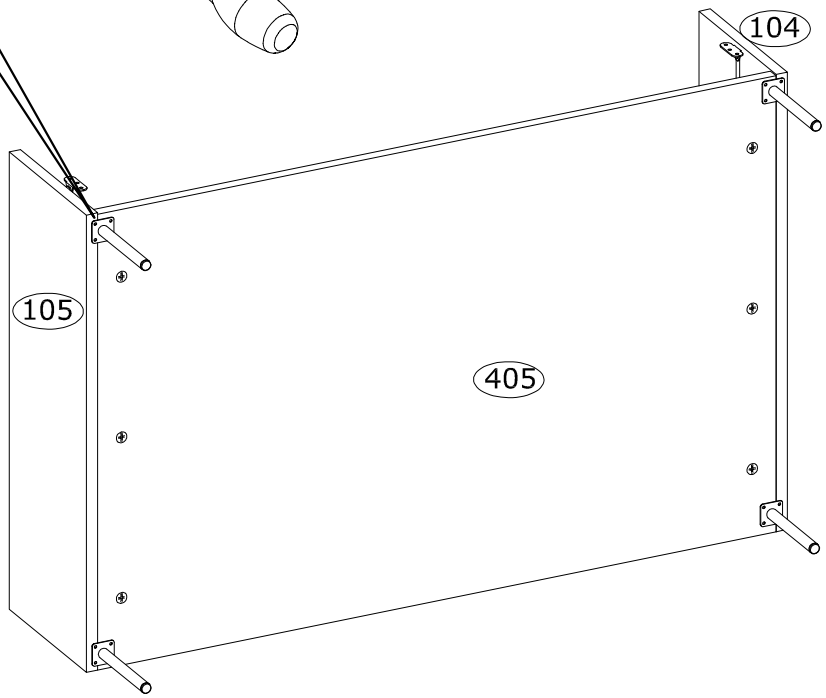
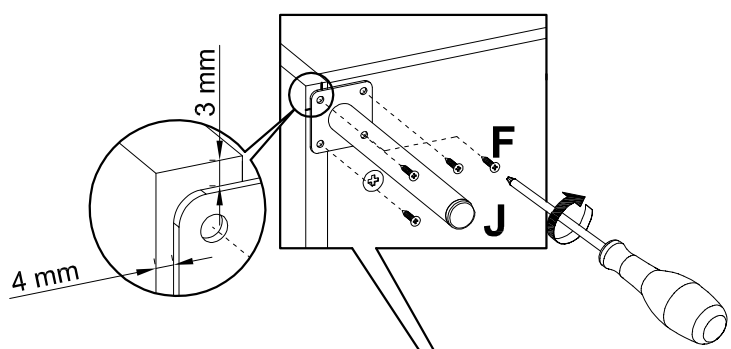
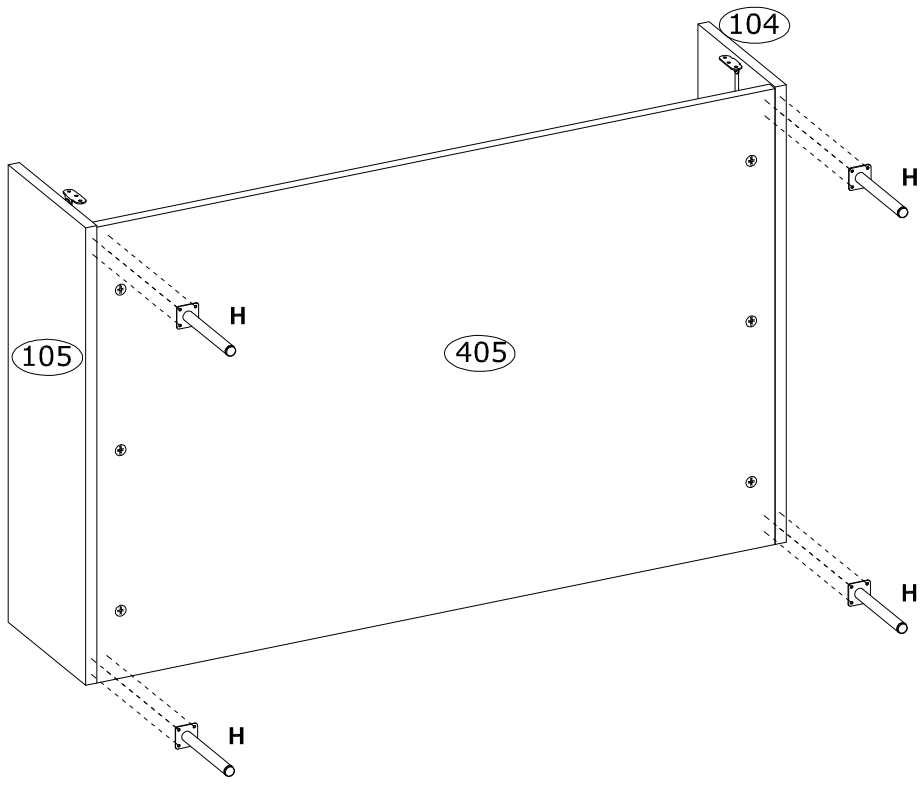
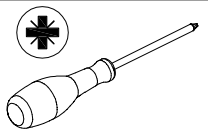
6

C Ø15x12 mm  x6 3996	
--	---



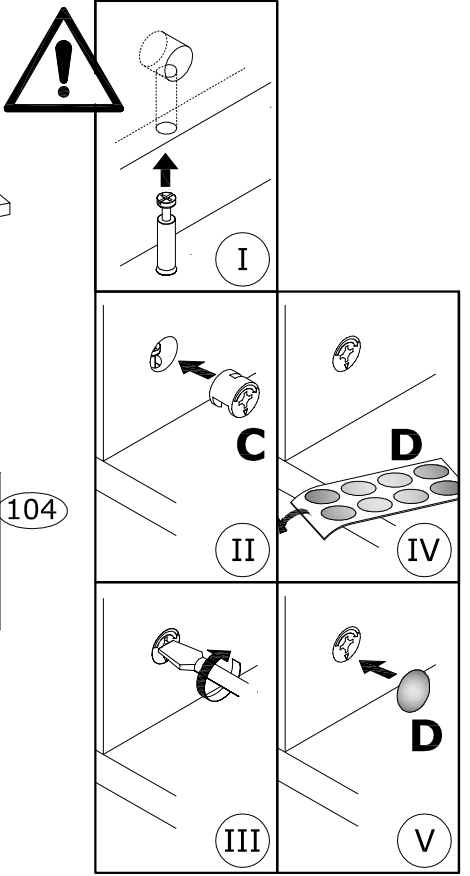
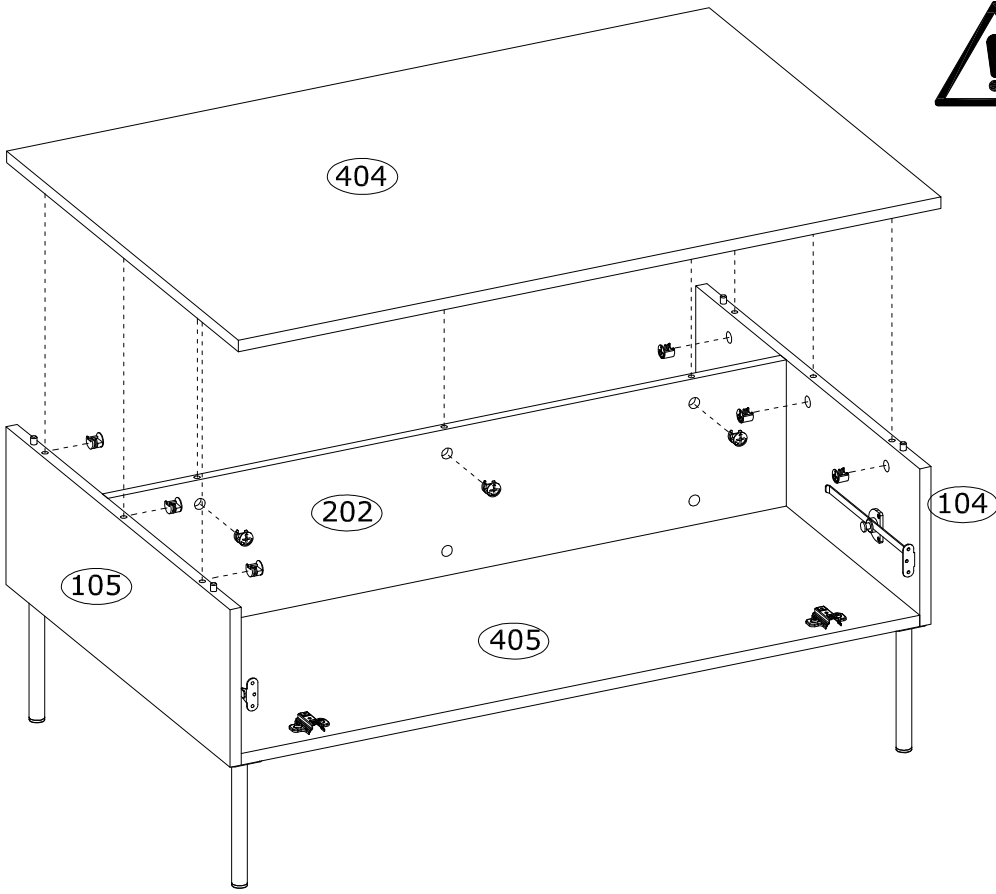
7

H	Ø20, H-180	F	Ø3,5x16 mm
	x4 232943		x16 3918


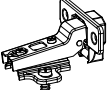

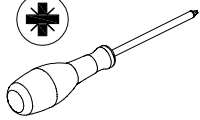


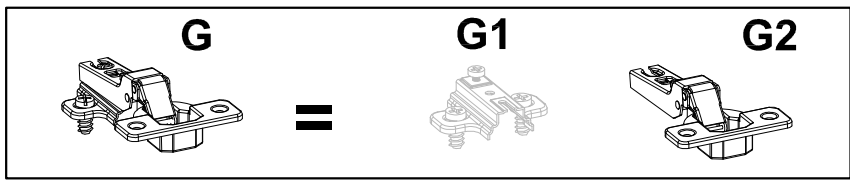
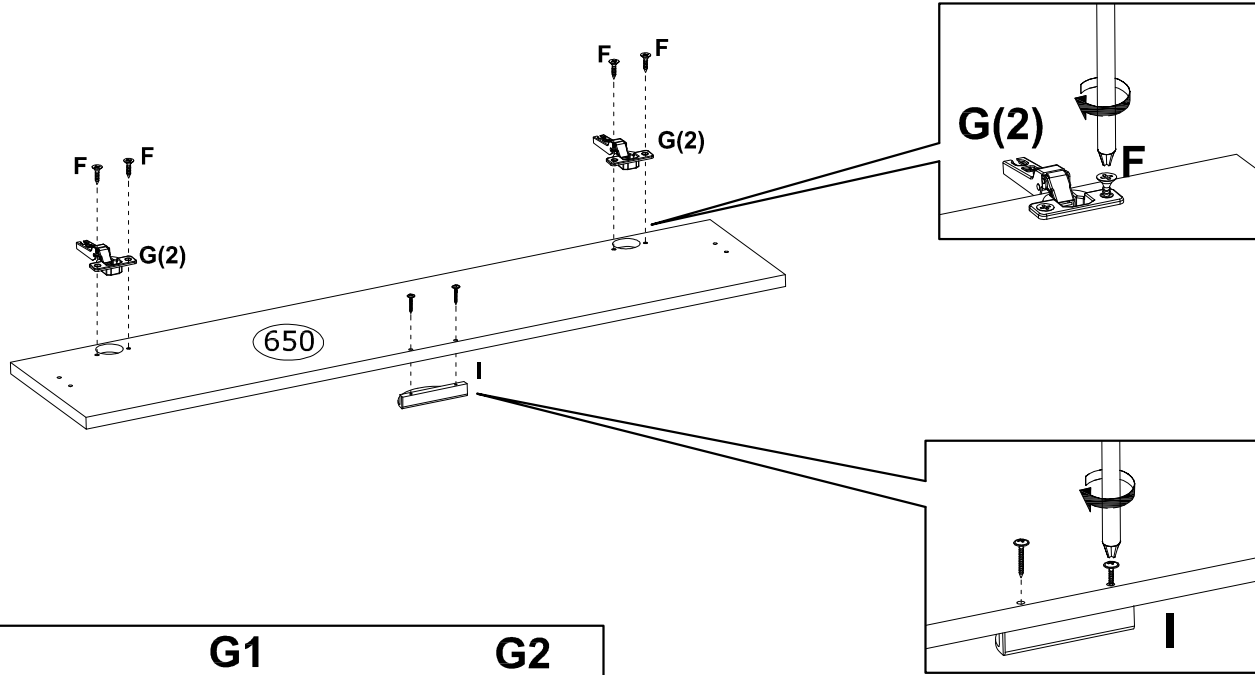
8

<p>C $\varnothing 15 \times 12$ mm</p>  <p>x9 3996</p>	<p>D $\varnothing 20$ mm</p>  <p>x9 136239</p>	
--	--	--



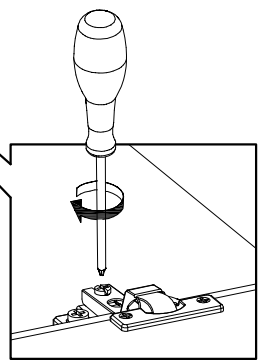
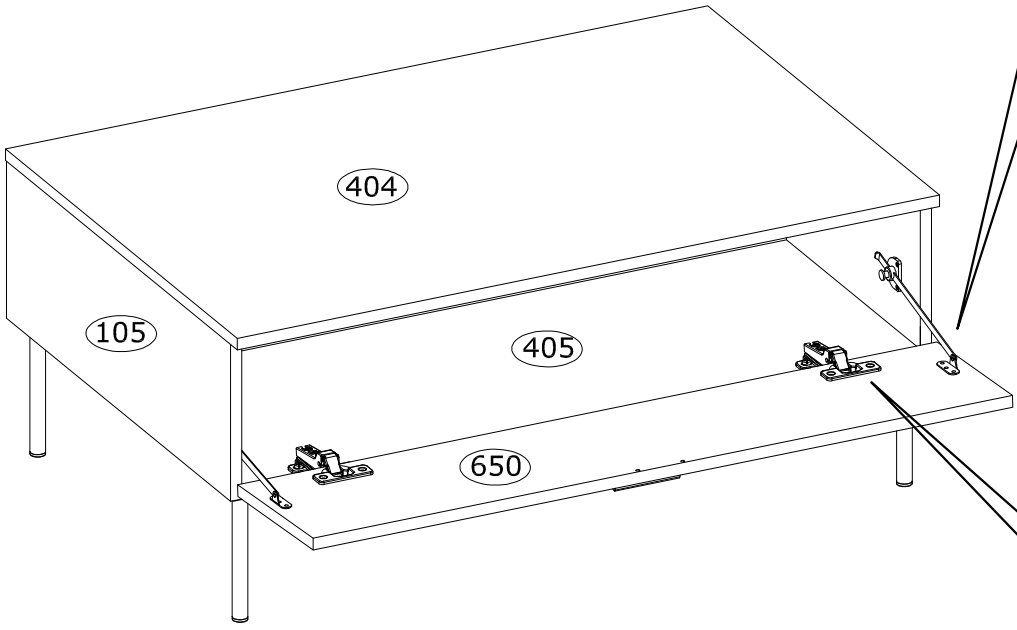
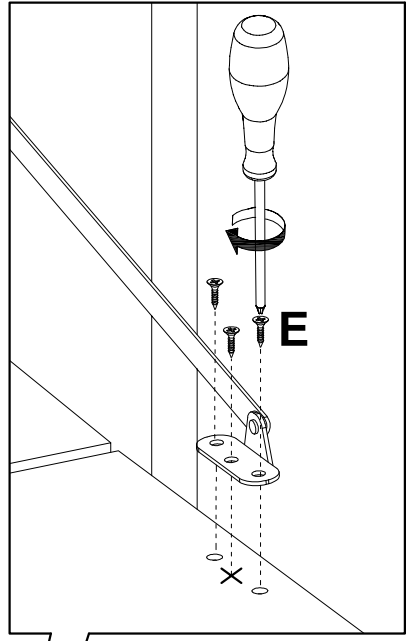
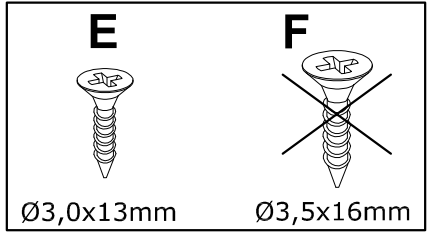
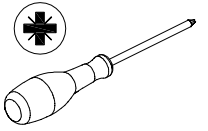
9

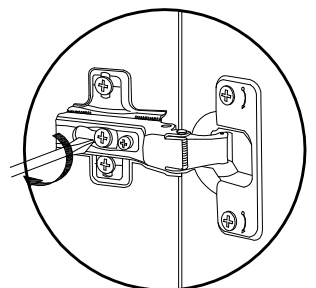
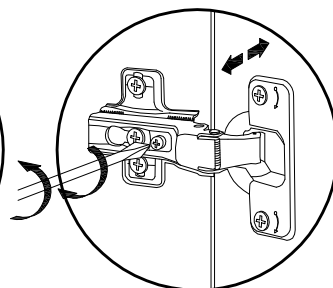
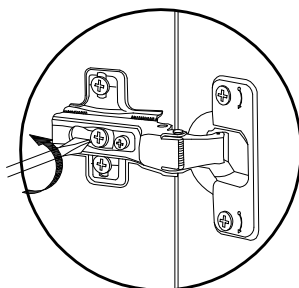
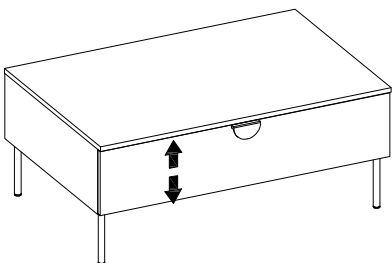
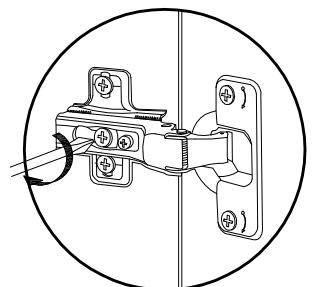
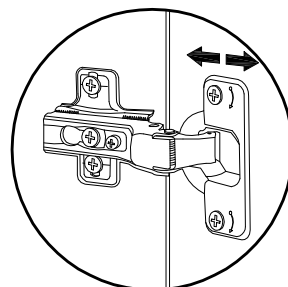
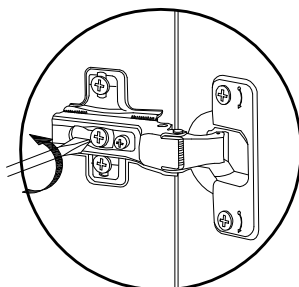
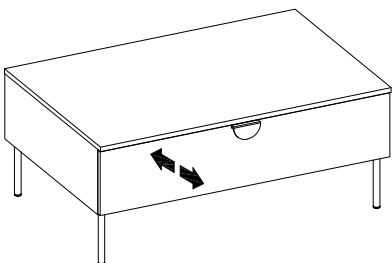
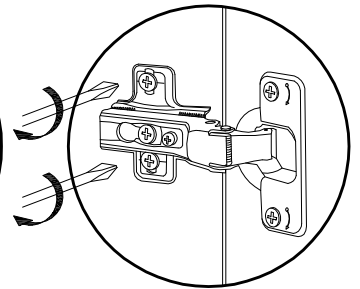
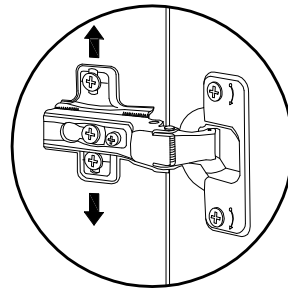
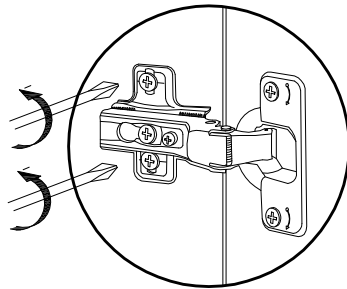
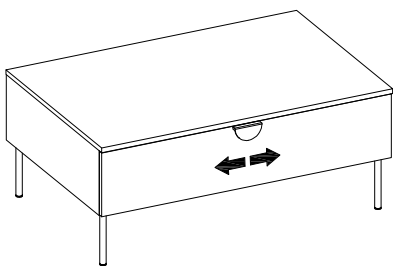
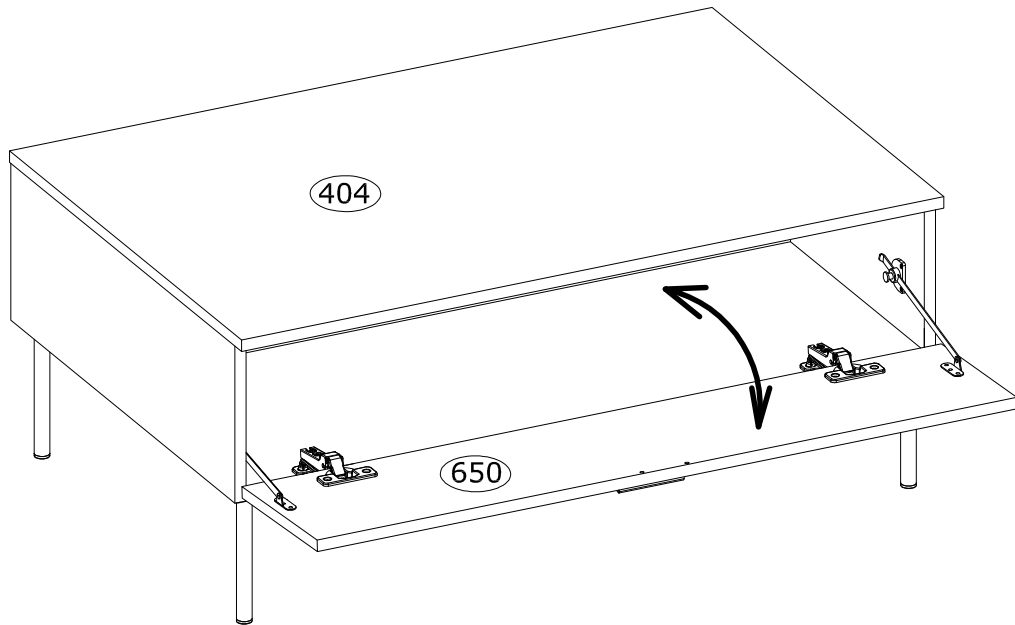
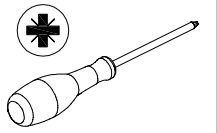
<p>I 96X48X20 mm</p>  <p>x1 236246</p>	<p>G $\varnothing 35$ mm , KR8</p>  <p>x2 67350</p>	<p>F $\varnothing 3,5 \times 16$ mm</p>  <p>x4 3918</p>	
---	---	---	---

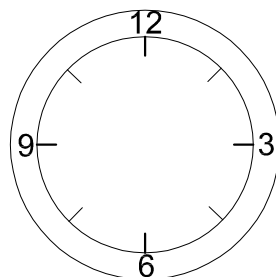
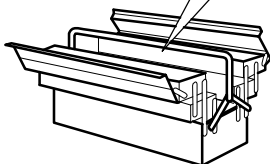
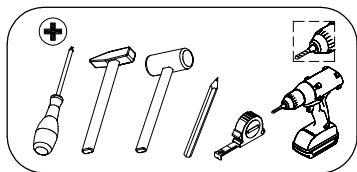
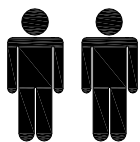
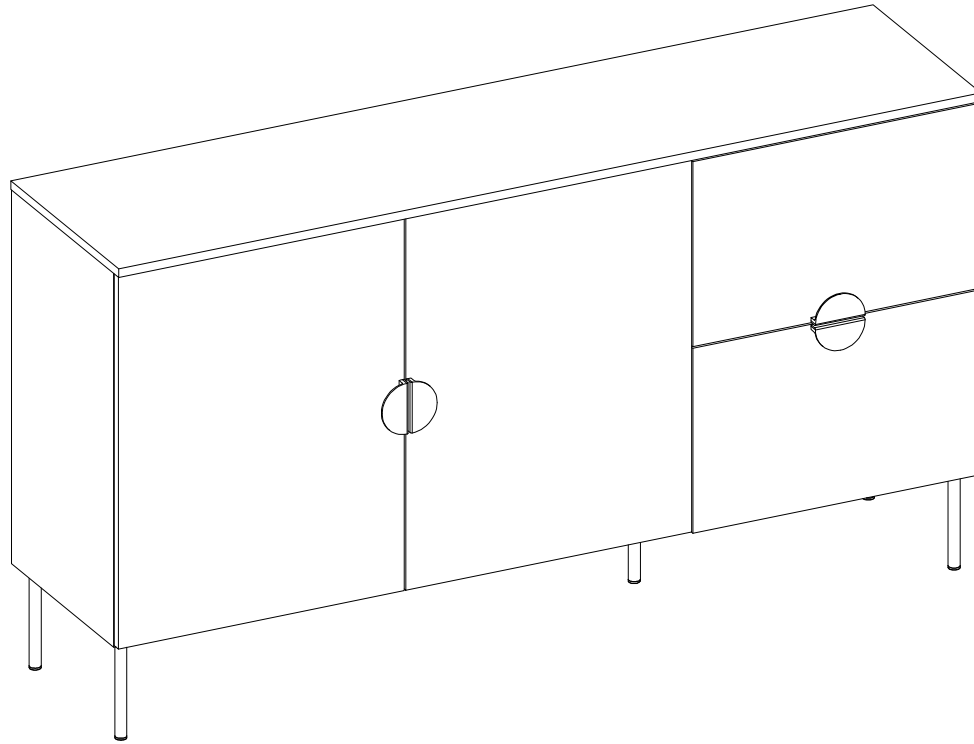
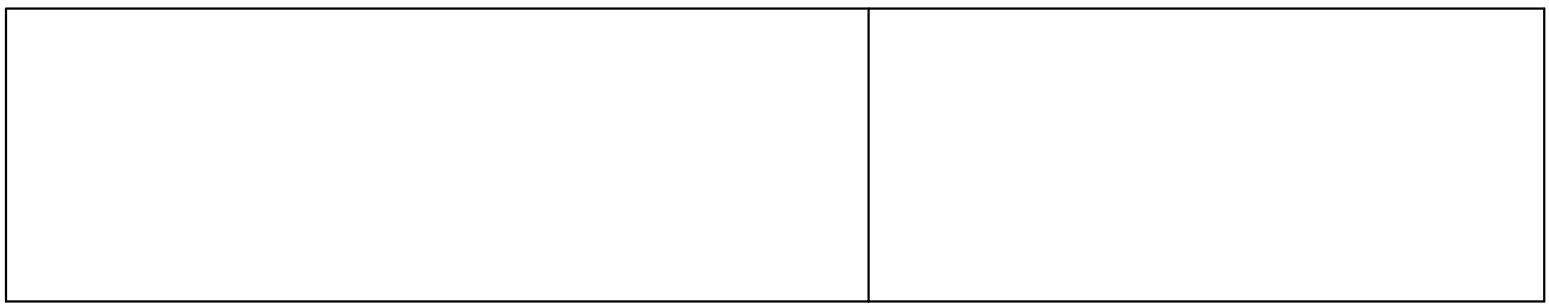


10

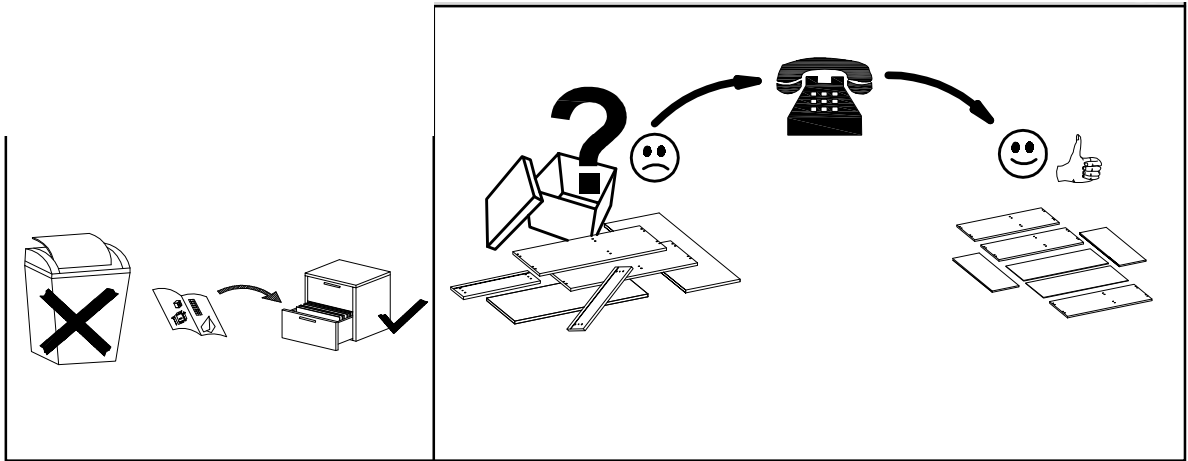
E
Ø3,0x13 mm
x6
3912

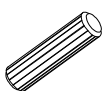
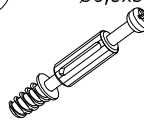
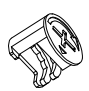
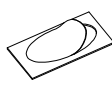
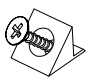

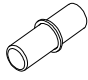


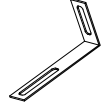

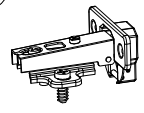
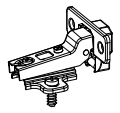


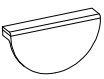
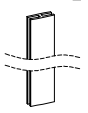


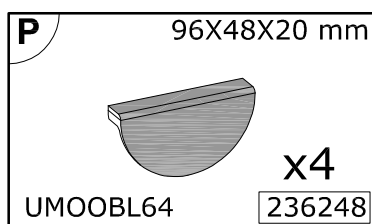
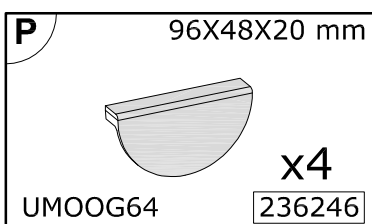


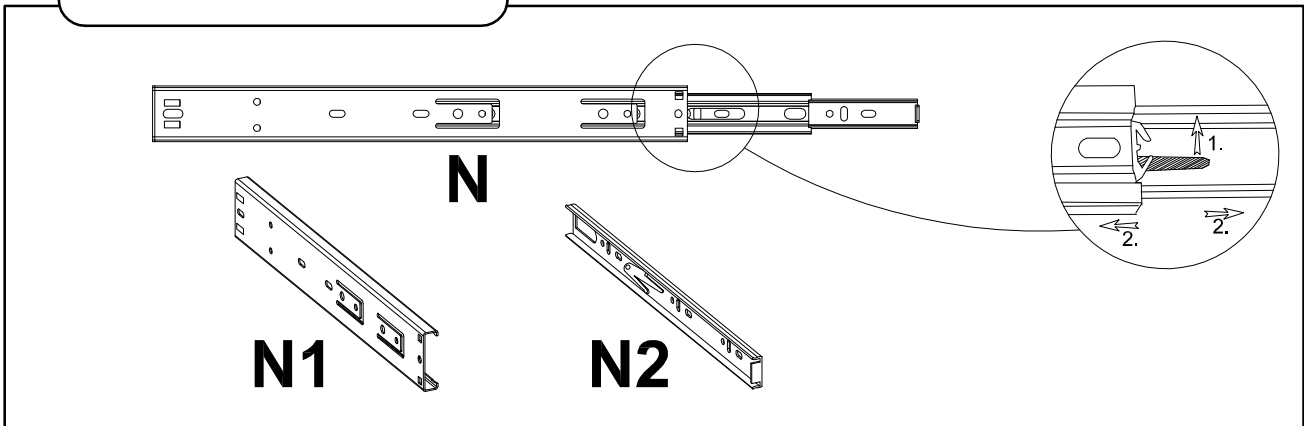
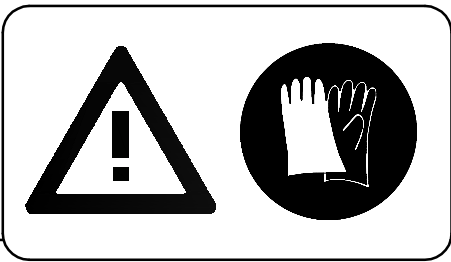
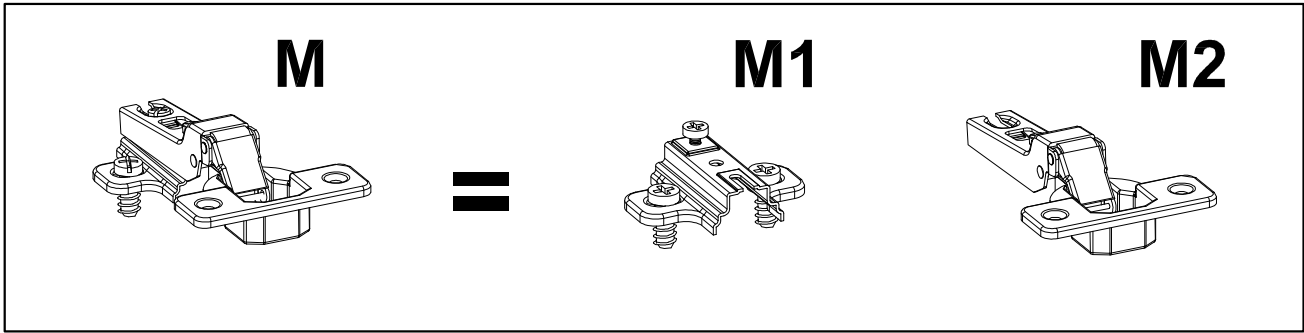
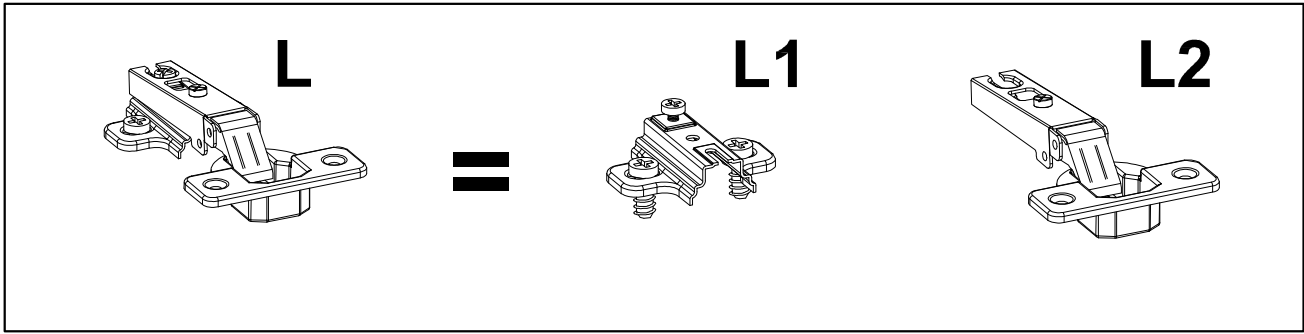


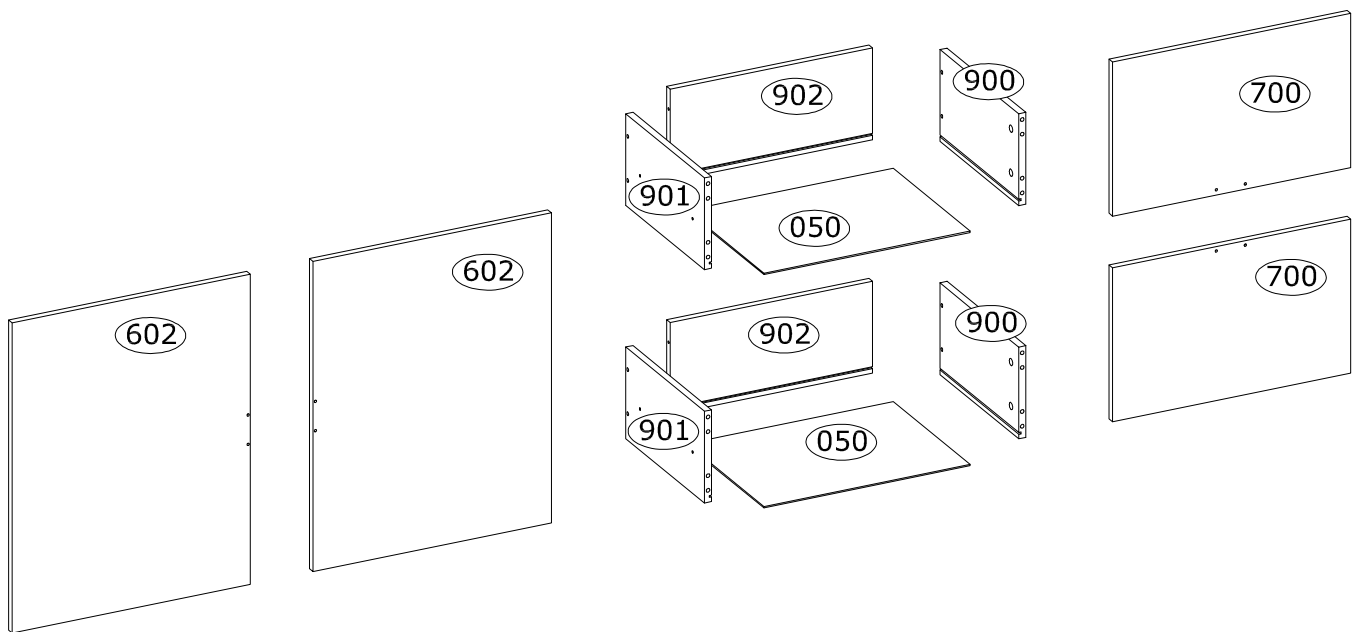
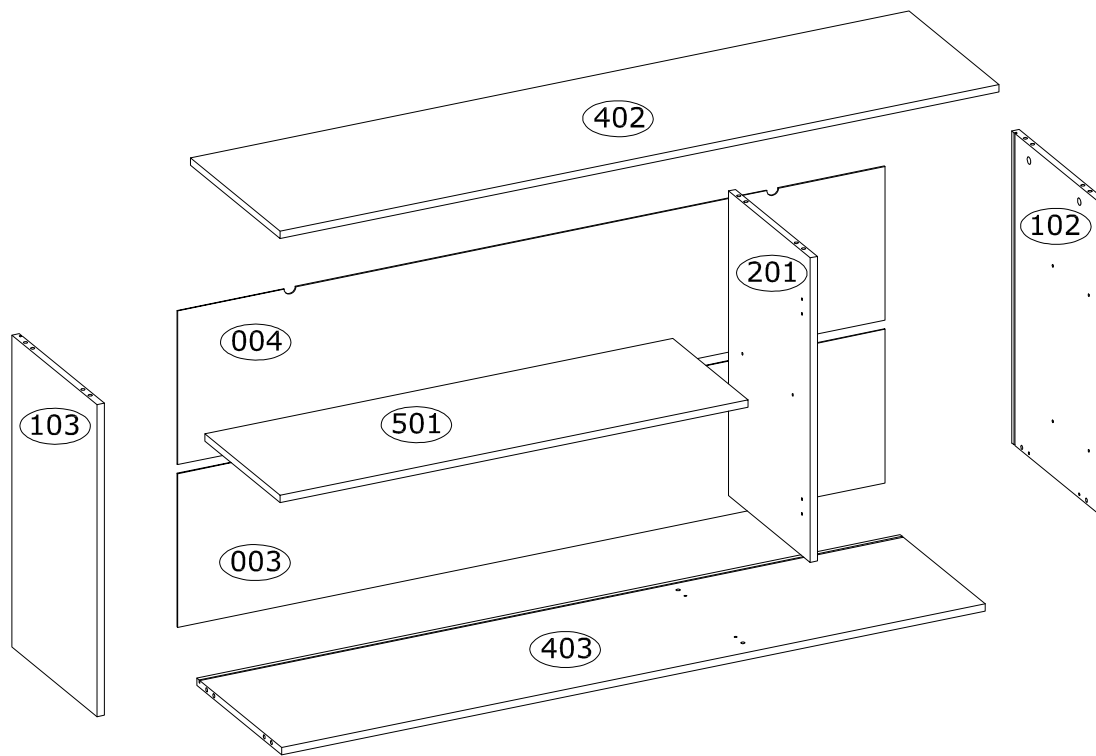
0
10
20
30
40
50
60
70
80
90
100
110
120
130
140
150
160
170
180
190
200



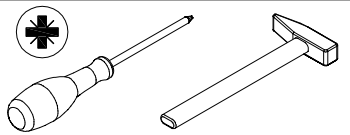
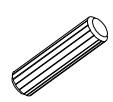

A Ø8x30 mm  x20 3989	B Ø6,5x36,5 mm  x20 4066	C Ø15x12 mm  x20 3996	D Ø20 mm  x10 136239	E 15x14x11 mm  x14 4044
F Ø3,5x16 mm  x52 3918	G Ø5x16 mm  x4 4017	H Ø6,4x50mm  x8 3884	I 4 mm  x1 3984	J 75x15x32 mm  x2 71900
K Ø3,0x25 mm  x6 3887	L Ø35 mm , KR0  x2 IN01640	M Ø35 mm , KR8  x2 67350	N L- 350 mm  x2 88157	O Ø20, H-180  x5 232943
P 96X48X20 mm  x4 236246	R L- 1563 mm  x1 IN00379			

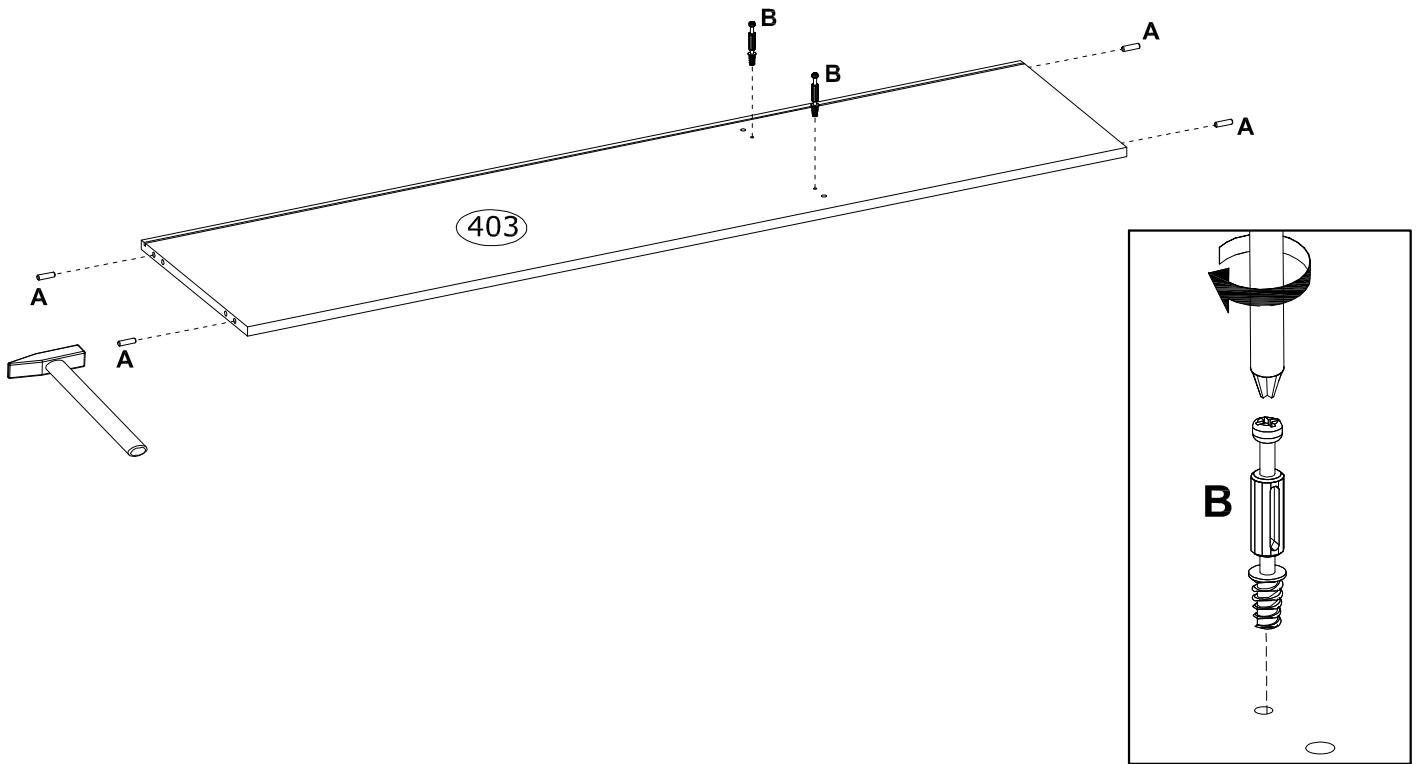




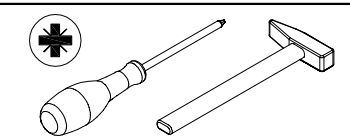

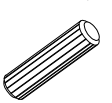
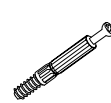
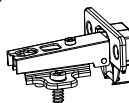


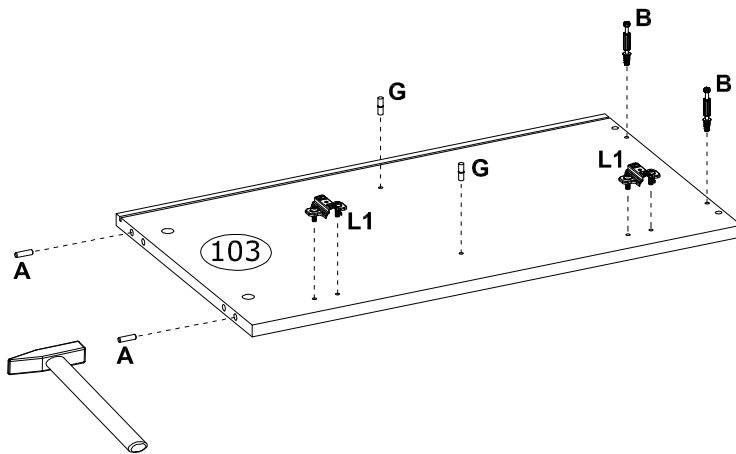
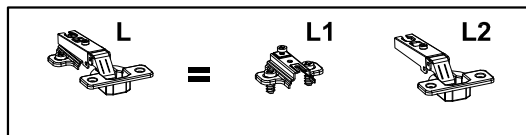
1

A	Ø8x30 mm	B	Ø6,5x36,5 mm	
	x4 3989		x2 4066	

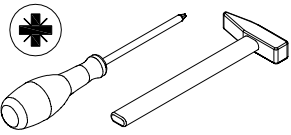


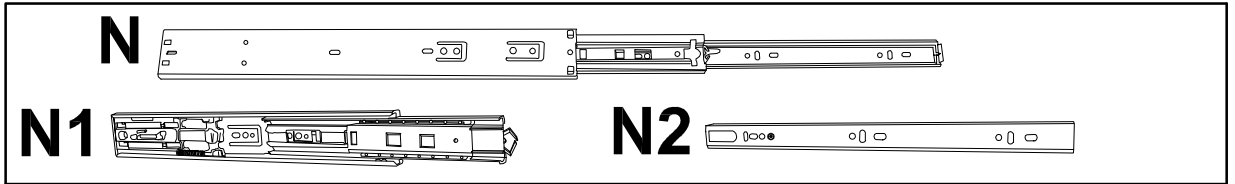
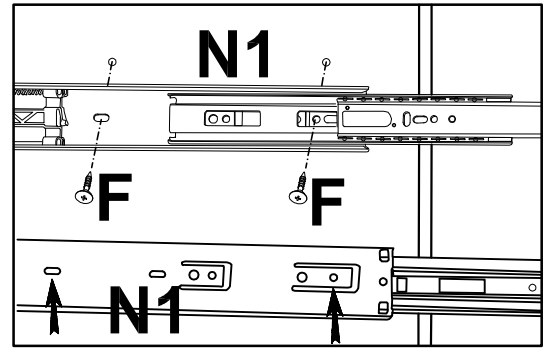
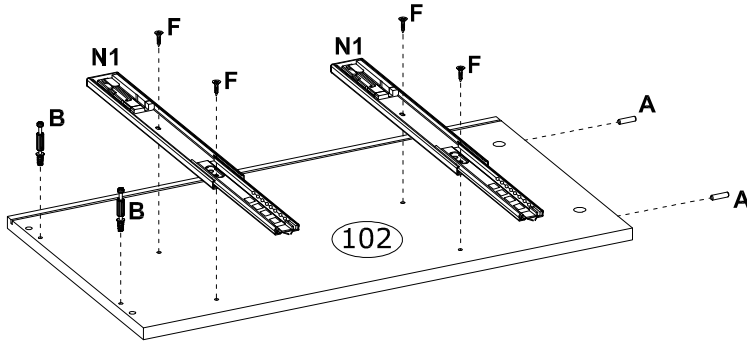
2

G	Ø5x16 mm	A	Ø8x30 mm	B	Ø6,5x36,5 mm	L	Ø35 mm , KR0	
	x2 4017		x2 3989		x2 4066		x2 IN01640	

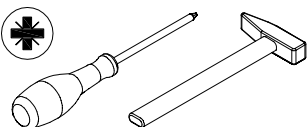


3

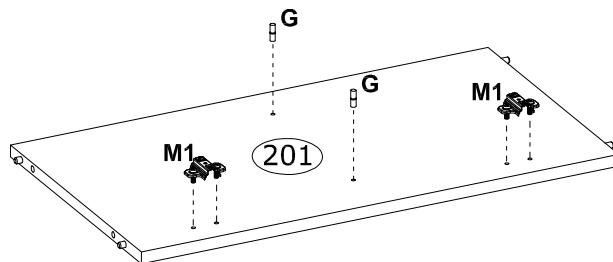
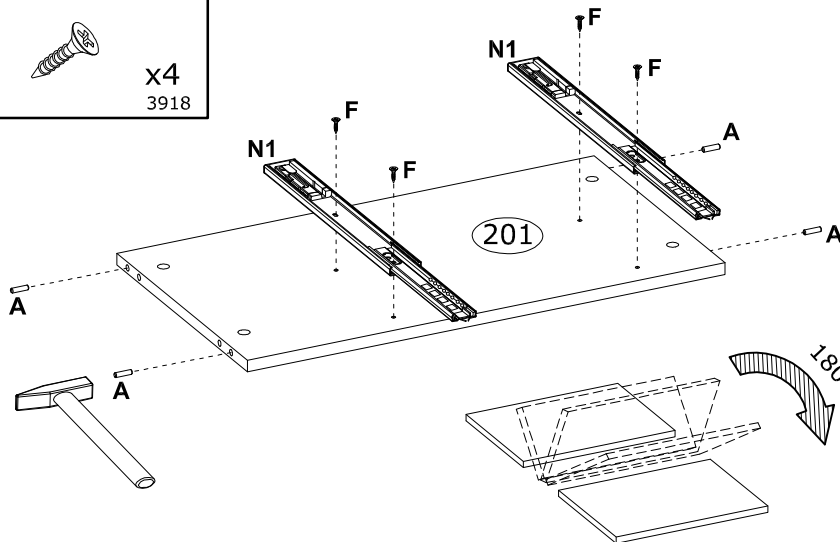
A Ø8x30 mm x2 3989	N1 L- 350 mm x2 88157	F Ø3,5x16 mm x4 3918	B Ø6,5x36,5 mm x2 4066	
------------------------------------	---------------------------------------	--------------------------------------	--	--



4

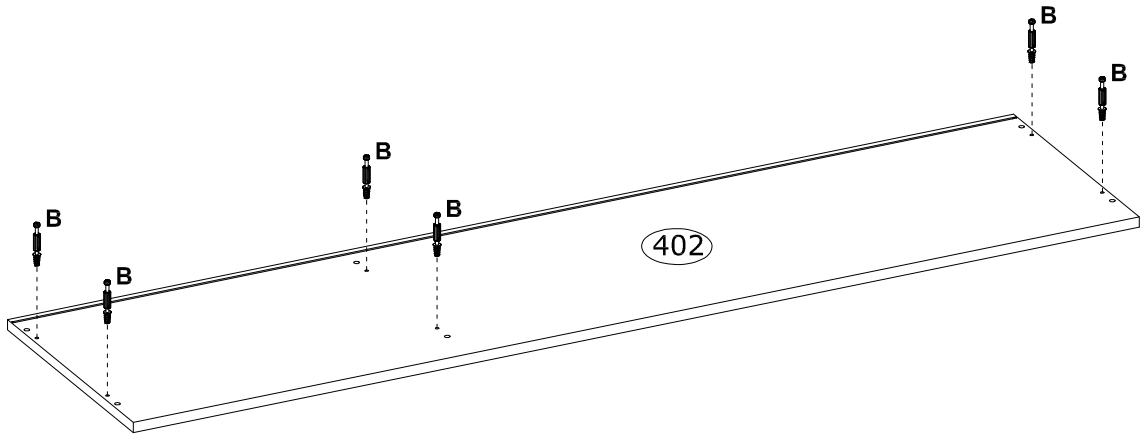
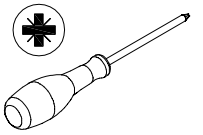
G Ø5x16 mm x2 4017	A Ø8x30 mm x4 3989	M Ø35 mm , KR8 x2 67350	N1 L- 350 mm x2 88157	
------------------------------------	------------------------------------	---	---------------------------------------	---

F Ø3,5x16 mm x4 3918



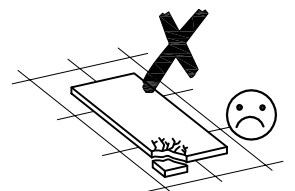
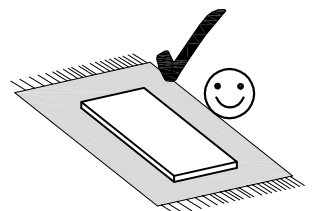
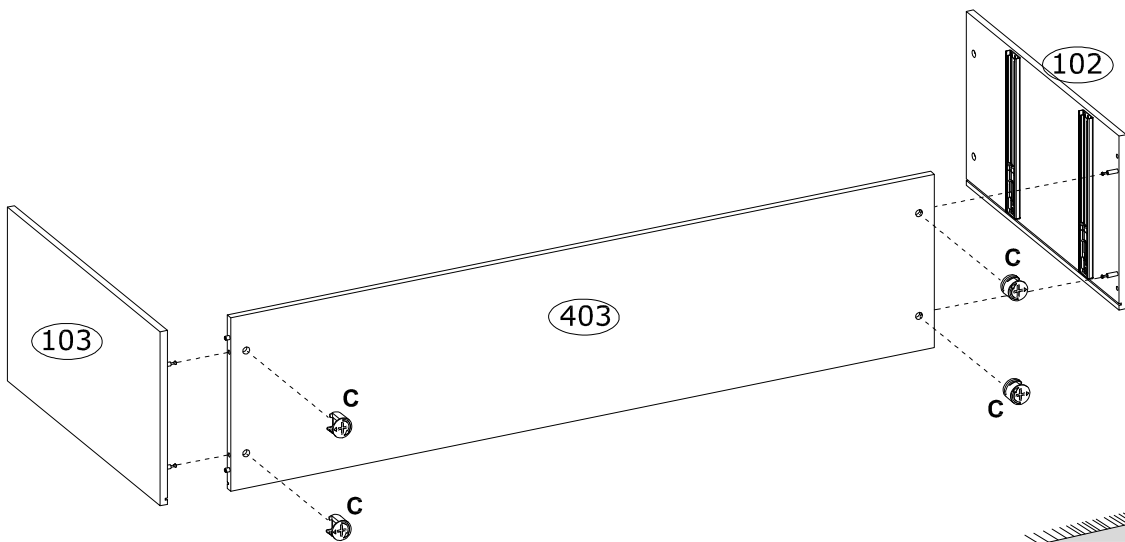
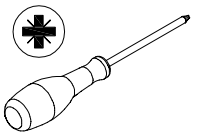
5

B
Ø6,5x36,5 mm
x6
4066



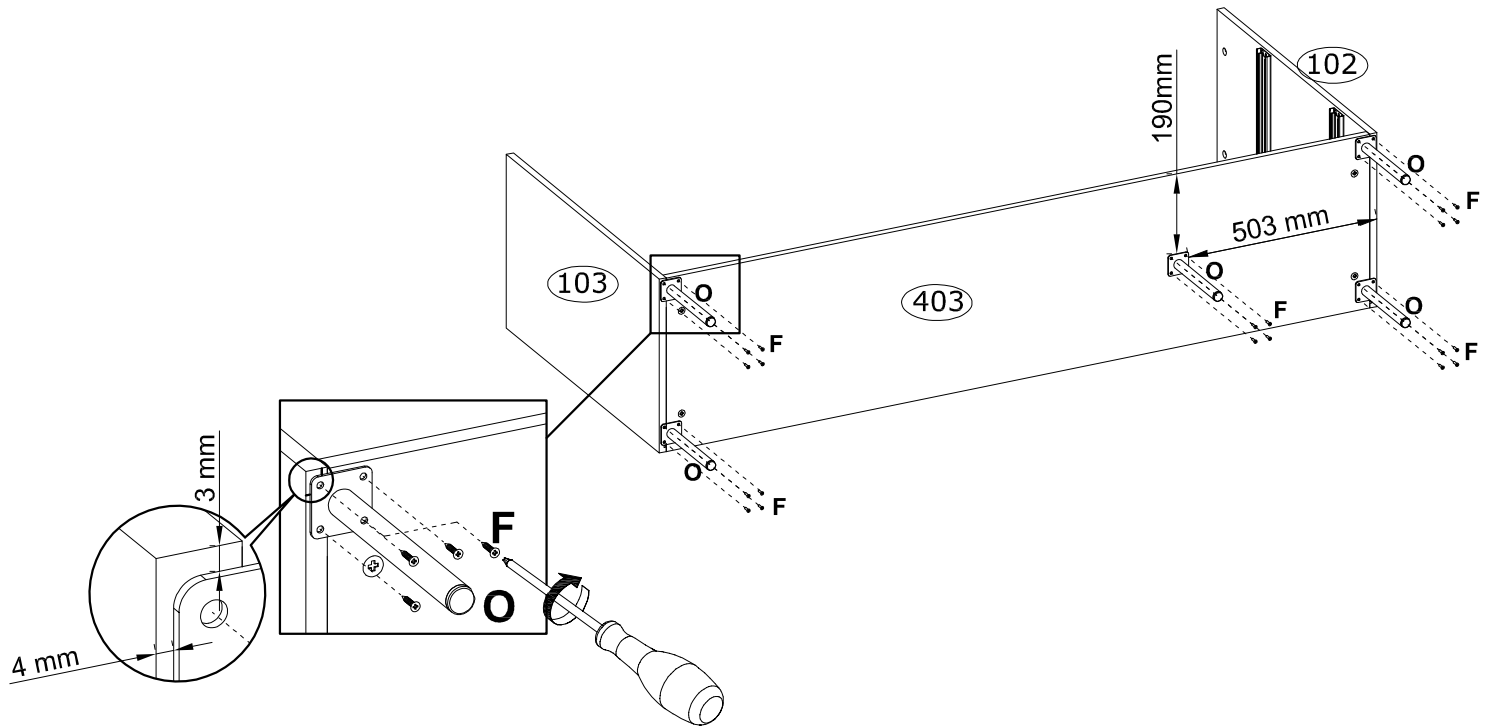
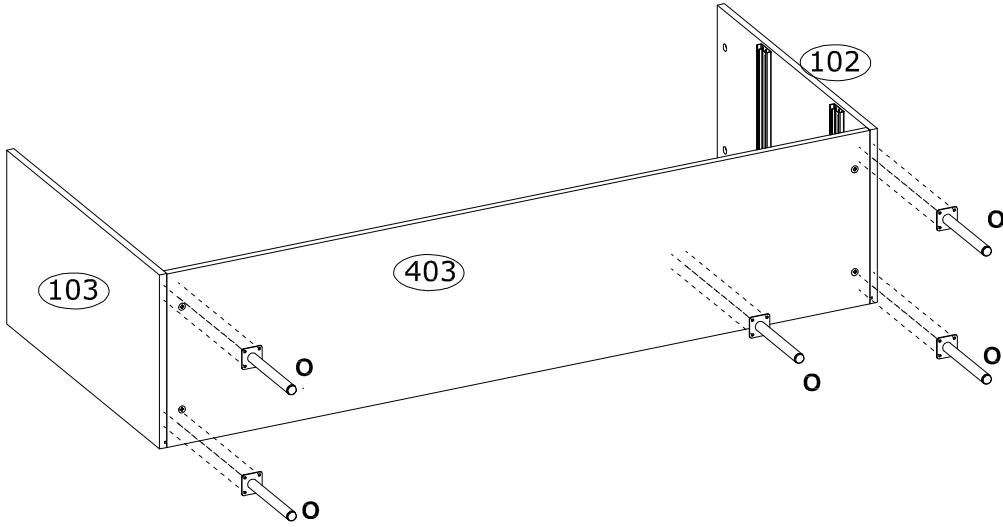
6

C
Ø15x12 mm
x4
3996



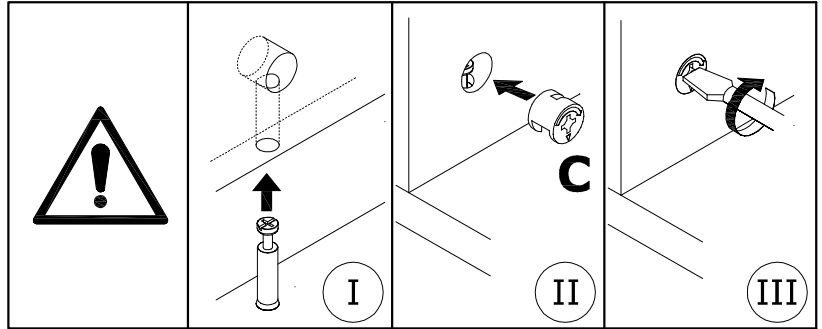
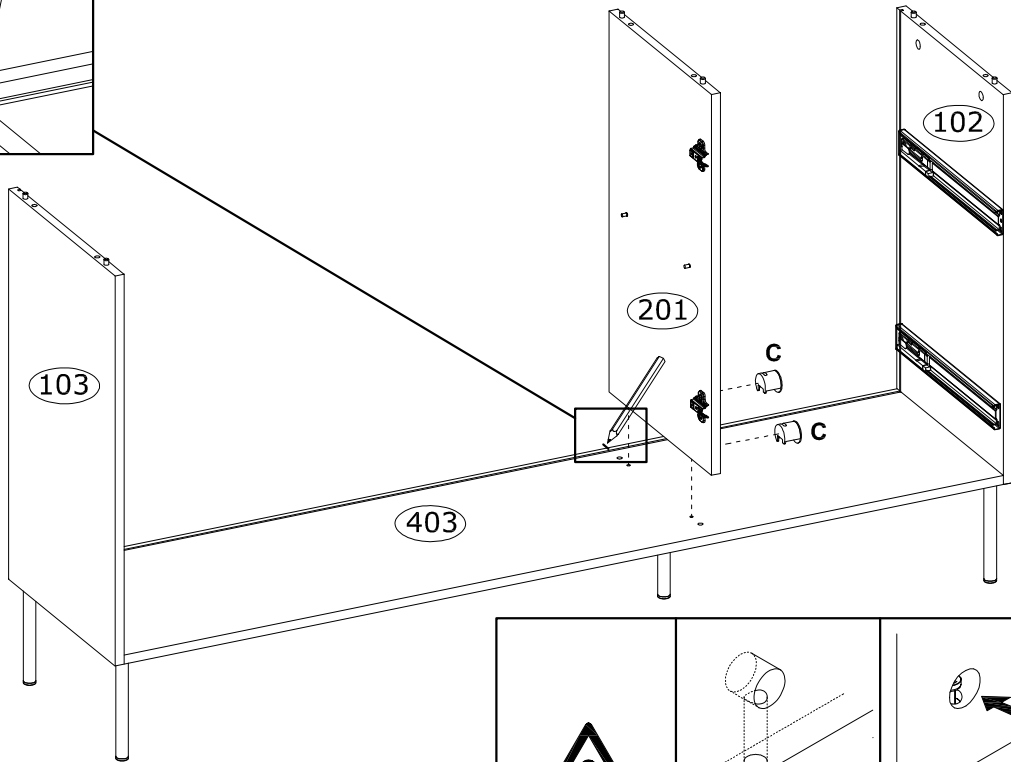
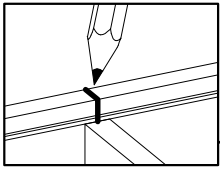
7

O Ø20, H-180 x5 232943 	F Ø3,5x16 mm x20 3918 	
---	--	--



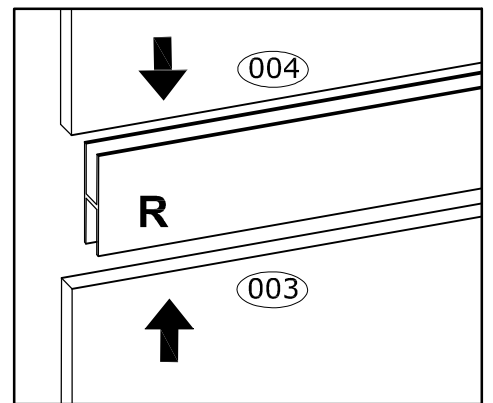
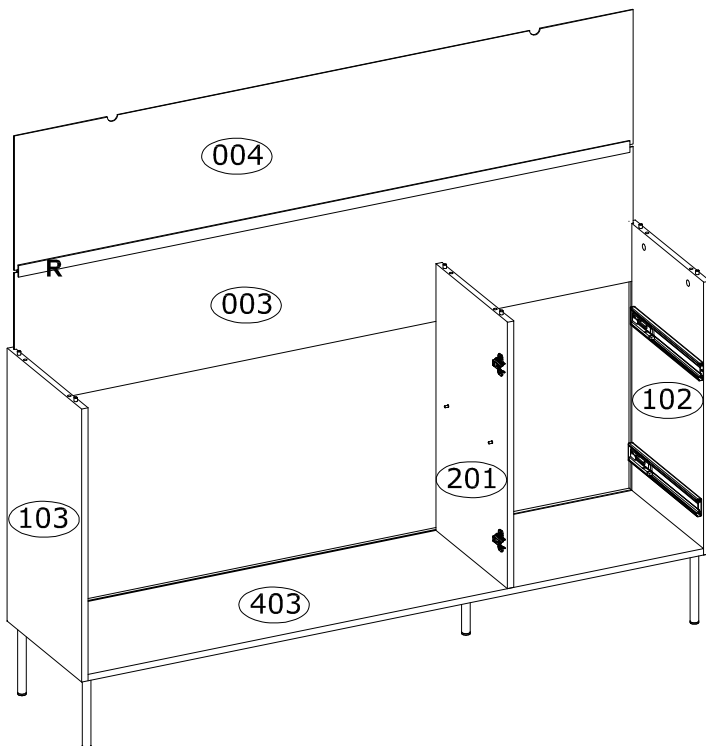
8

C $\varnothing 15 \times 12$ mm
x2
3996


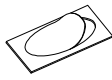
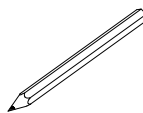
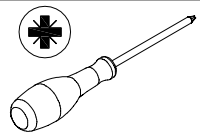


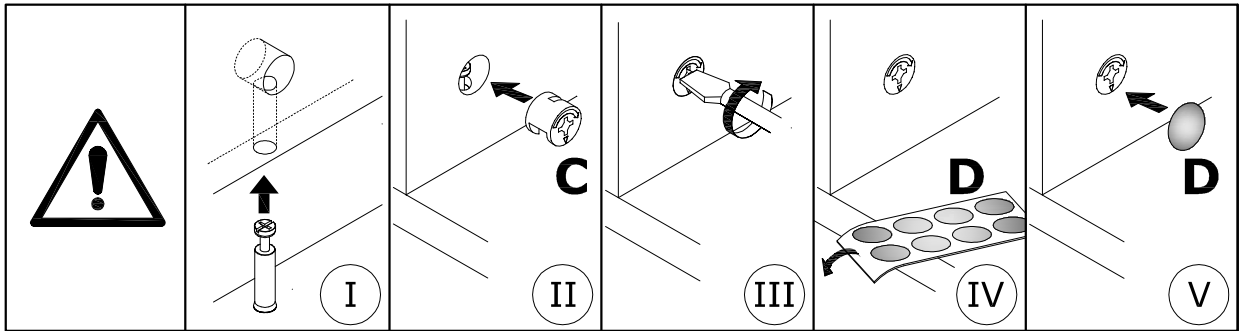
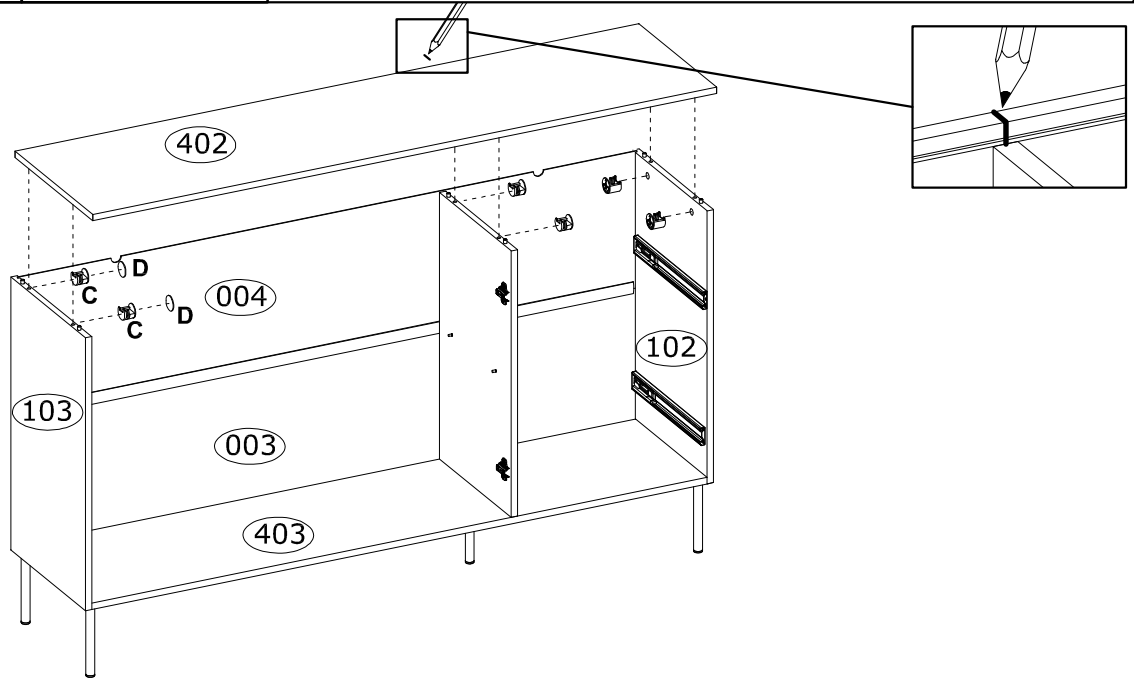
9

R L- 1563 mm
x1
IN00379

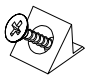

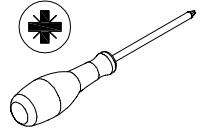


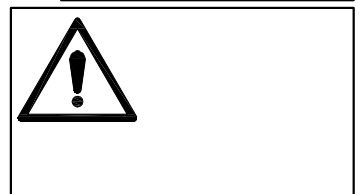
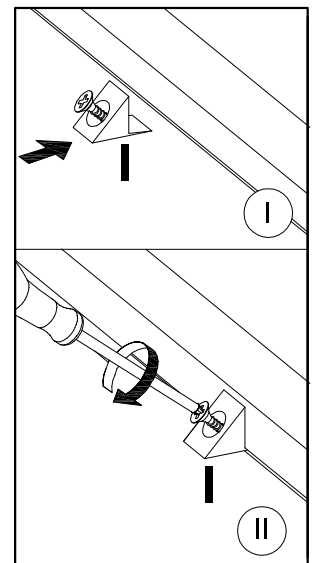
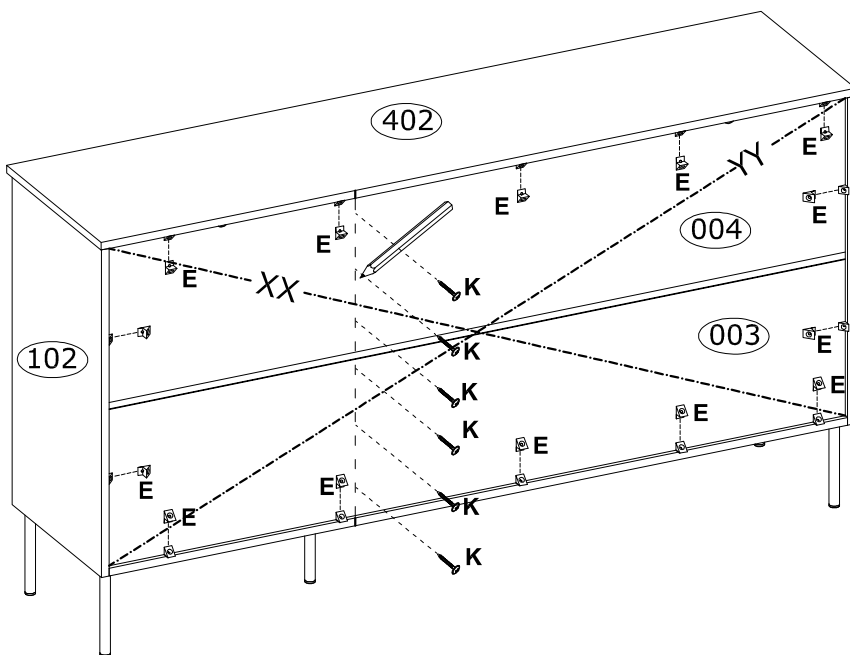
10

C Ø15x12 mm  x6 3996	D Ø20 mm  x2 136239	 
--	---	--



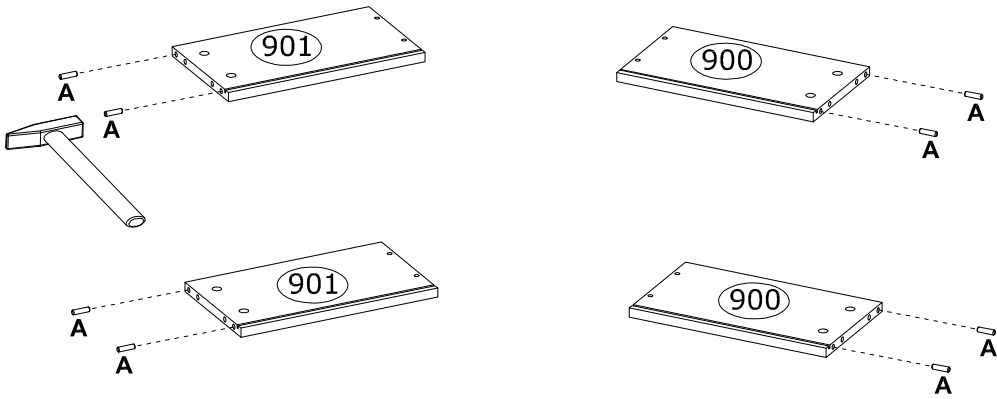
11

E 15x14x11 mm  x14 4044	K Ø3,0x25 mm  x6 3887	
---	---	---





12

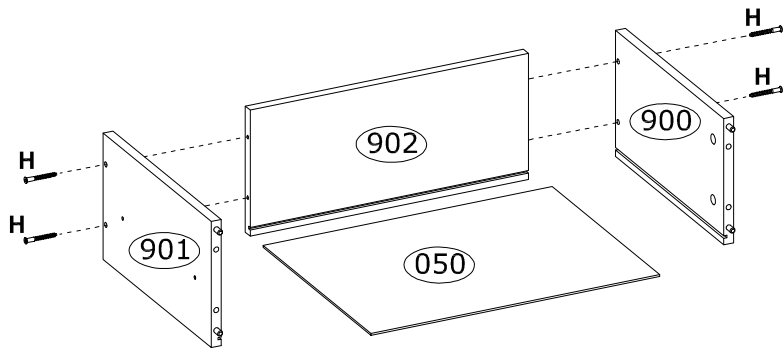
<p>A</p>  <p>Ø8x30 mm</p> <p>x8 3989</p>	
--	--



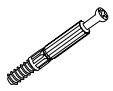
13

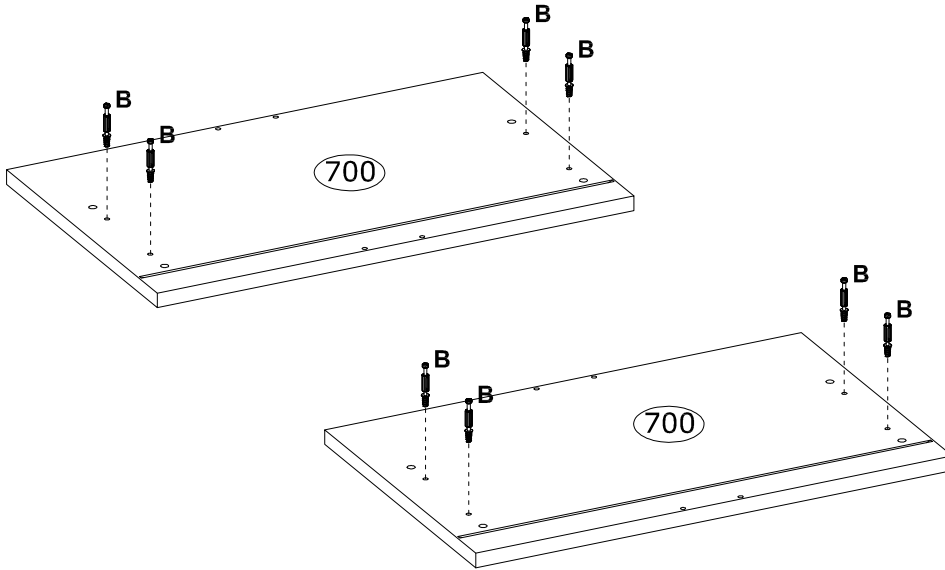
<p>H</p>  <p>Ø6,4x50mm</p> <p>x8 3884</p>	<p>I</p>  <p>4 mm</p> <p>x1 3984</p>	
---	--	--

x2



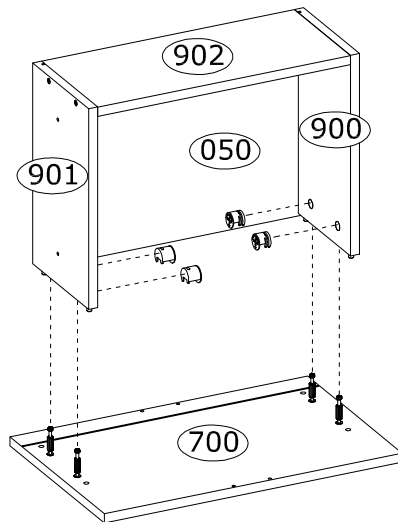
14

B	$\varnothing 6,5 \times 36,5$ mm		x8 4066	
----------	----------------------------------	---	-------------------	--

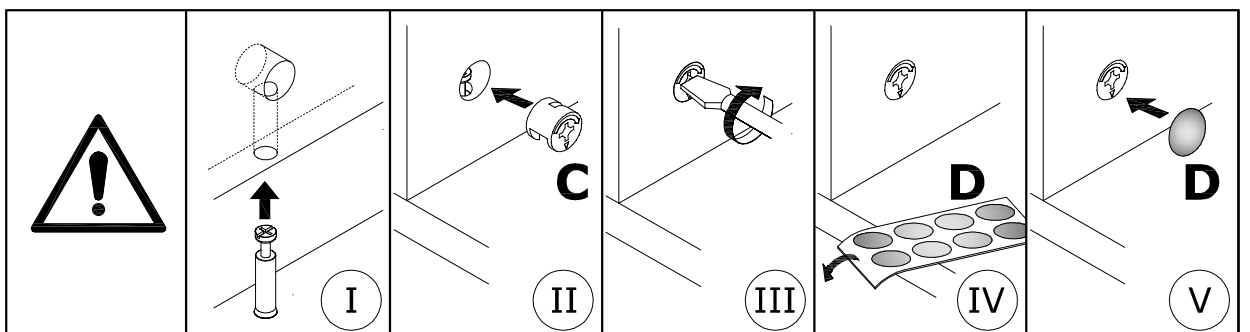


15

C	$\varnothing 15 \times 12$ mm	D	$\varnothing 20$ mm	
	x8 3996		x8 136239	

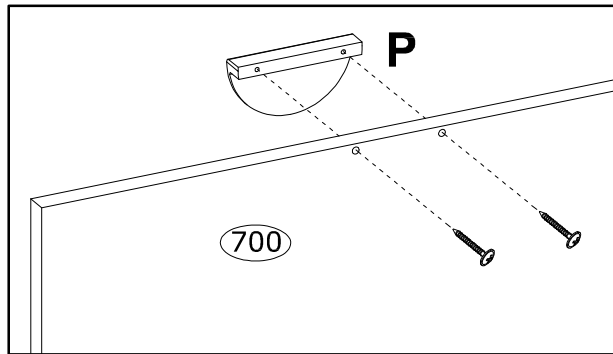
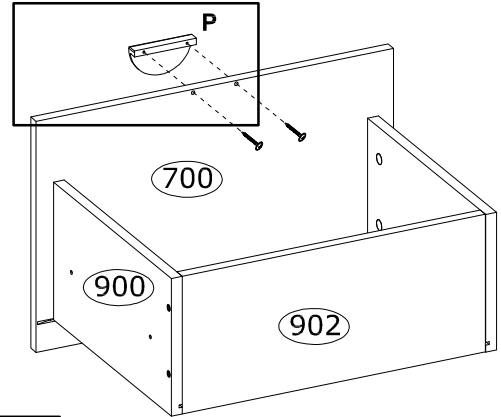
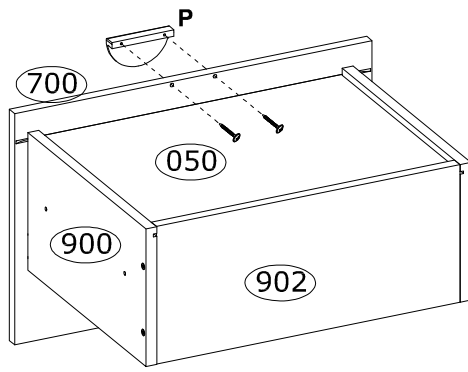


x2



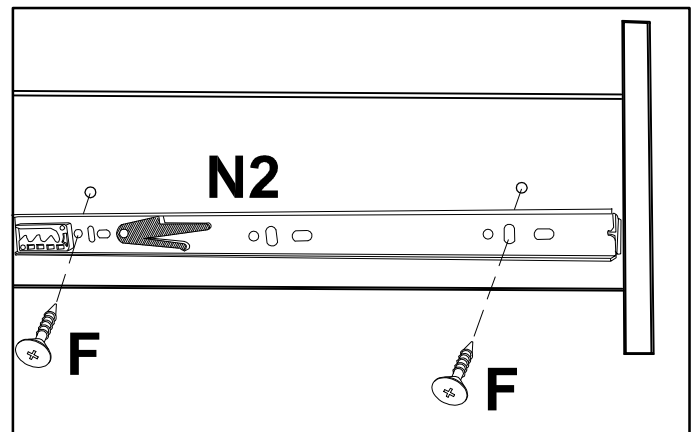
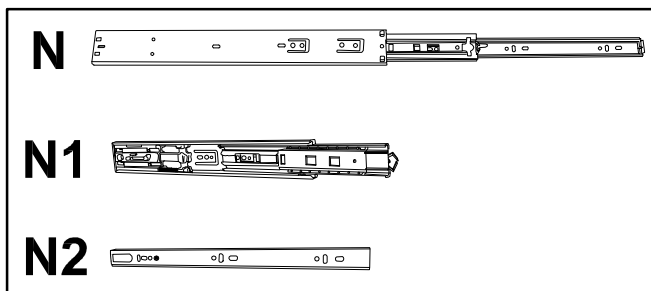
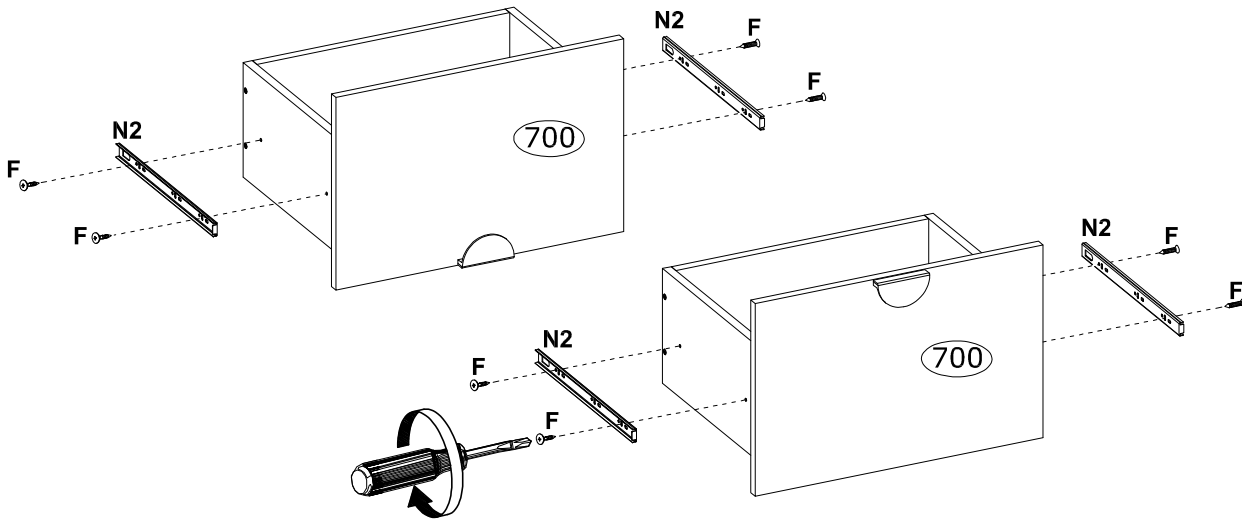
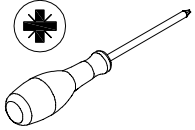
16

P 96X48X20 mm
x2
236246 236248

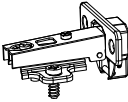

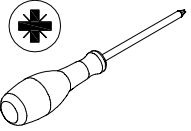


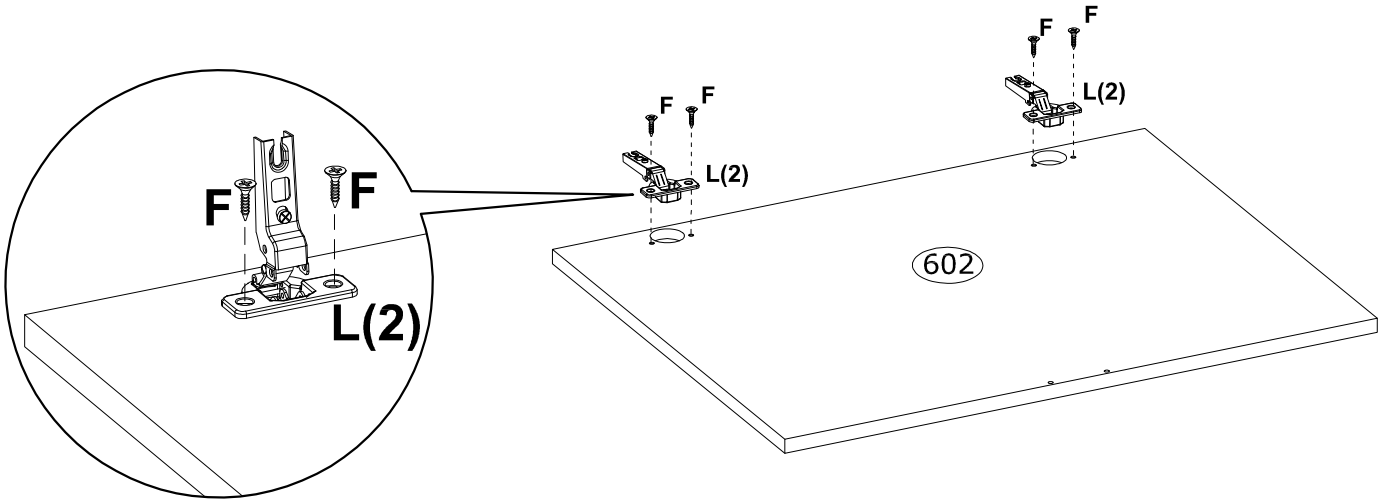
17

N2 L- 350 mm x2 88157
F Ø3,5x16 mm x8 3918

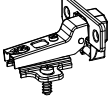

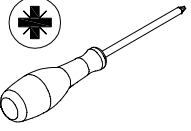


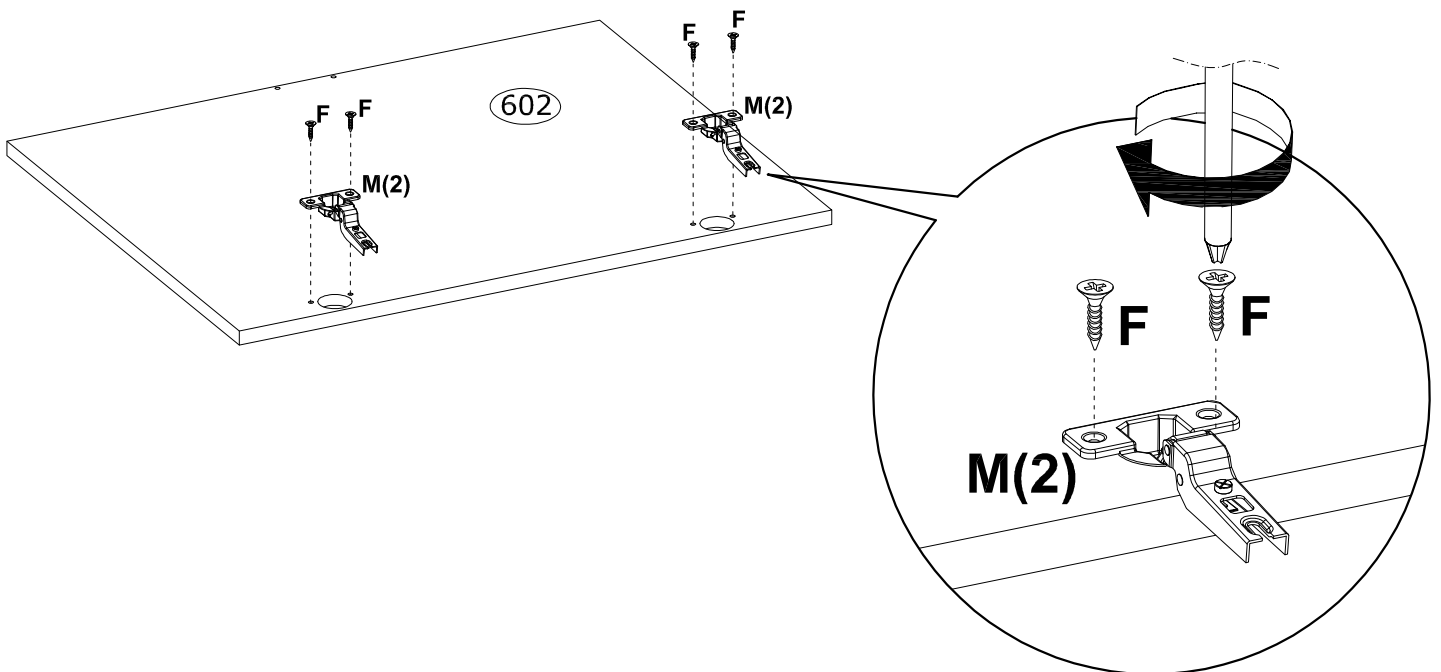
18

L Ø35 mm , KR0  x2 IN01640	F Ø3,5x16 mm  x4 3918	
---	---	--



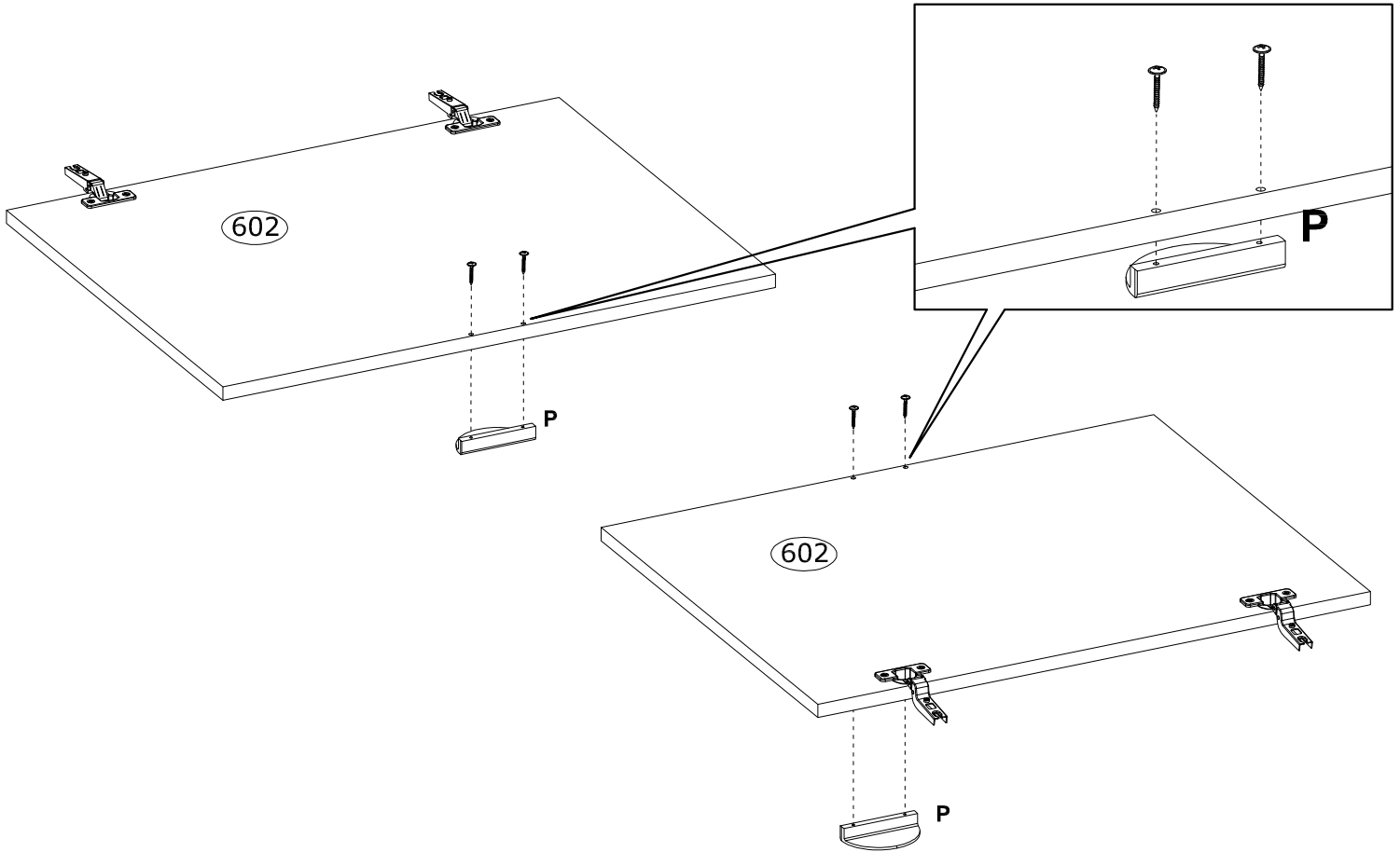
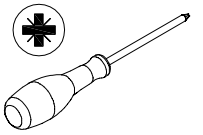
19

M Ø35 mm , KR8  x2 67350	F Ø3,5x16 mm  x4 3918	
--	---	---



20

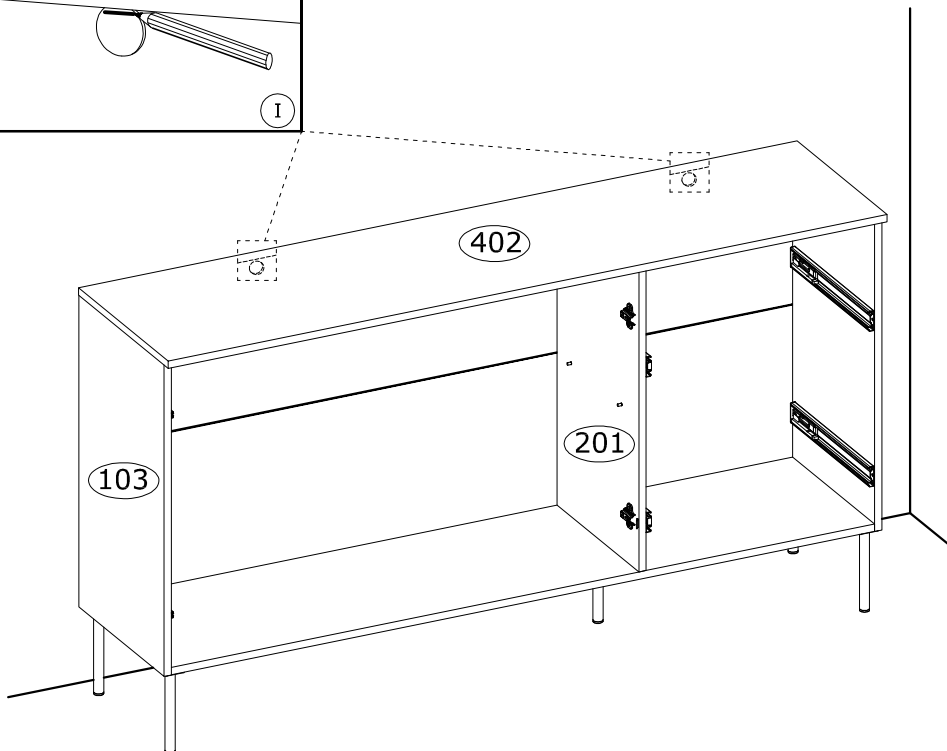
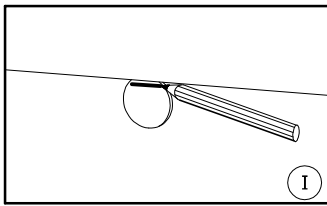
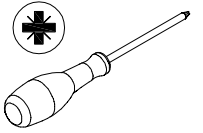
P 96X48X20 mm
x2
236246 236248

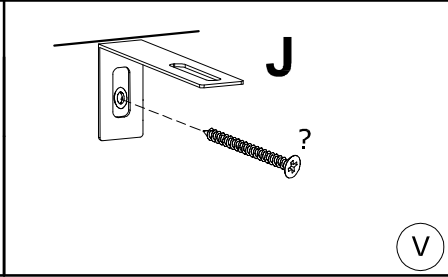
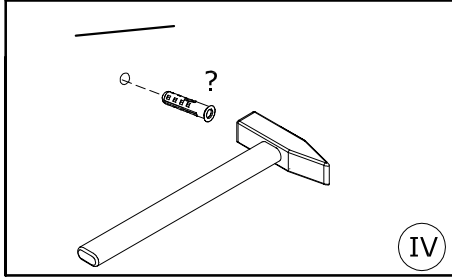
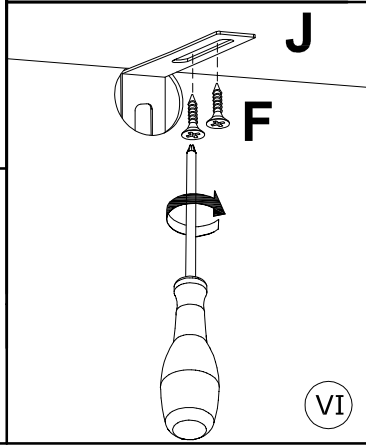
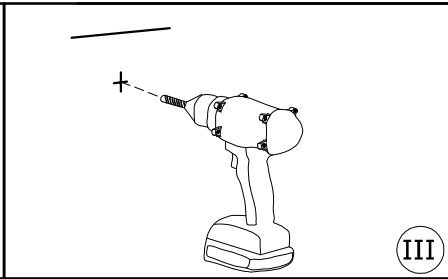
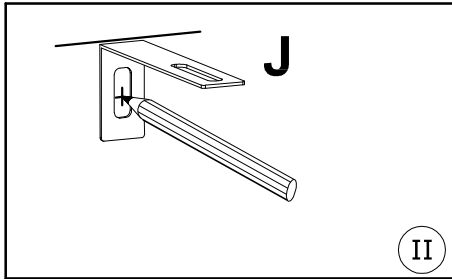
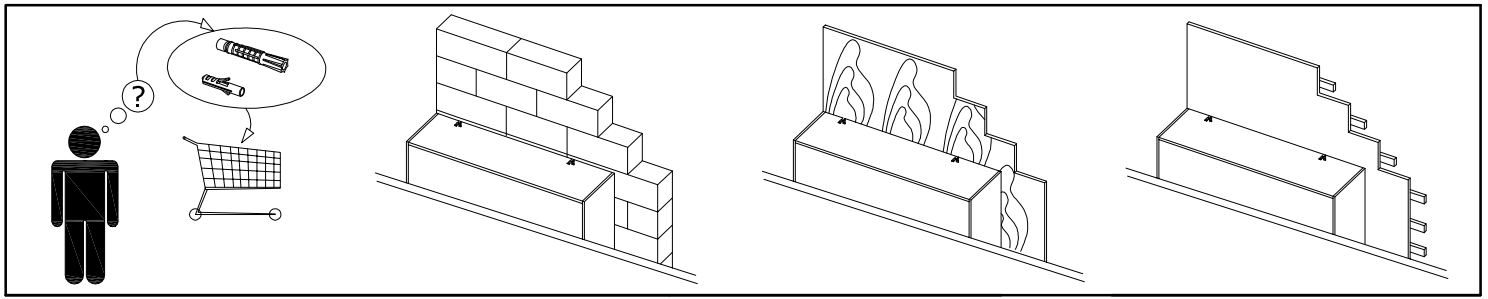


21

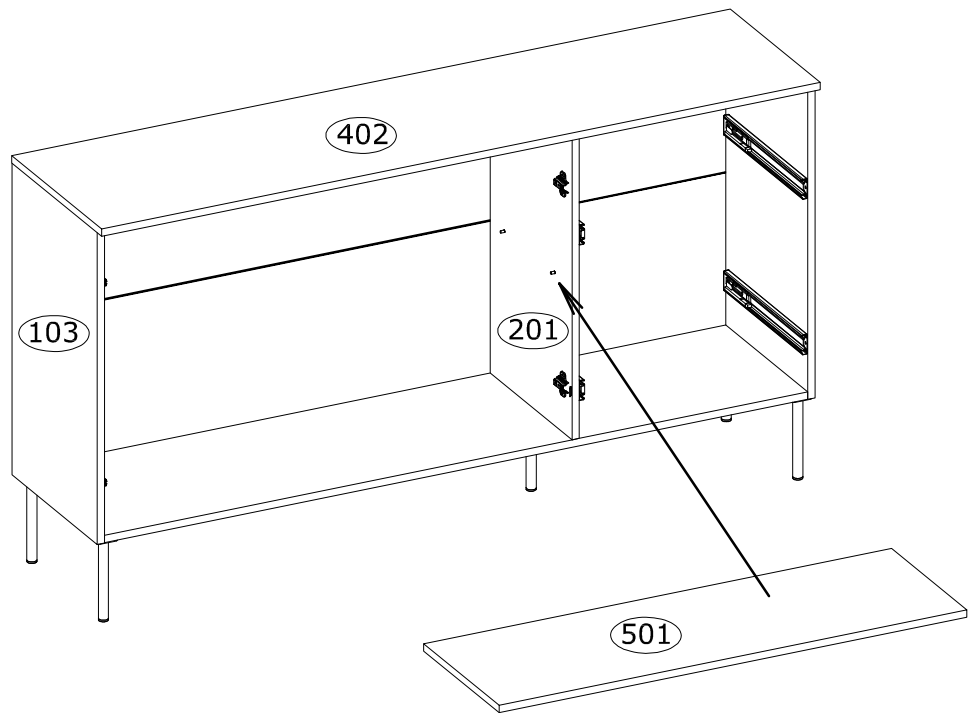
J 75x15x32 mm
x2
71900

F Ø3,5x16 mm
x4
3918





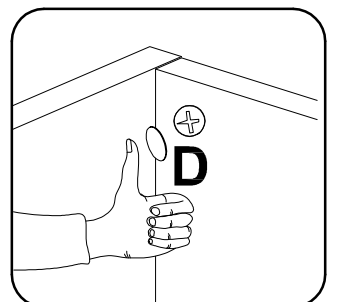
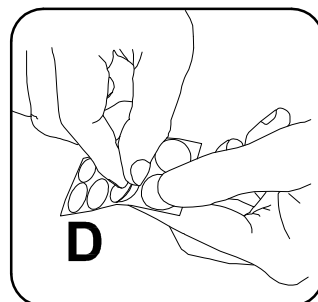
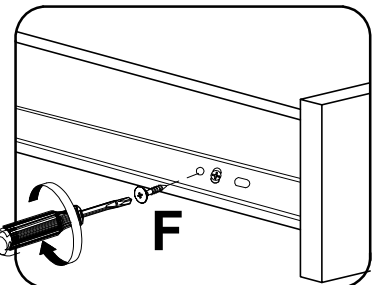
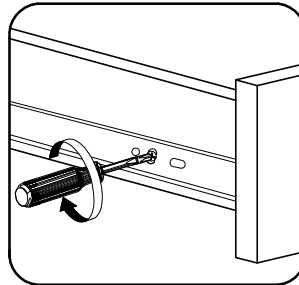
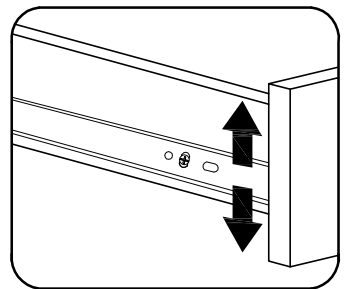
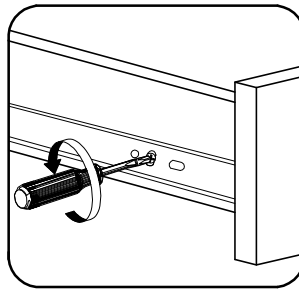
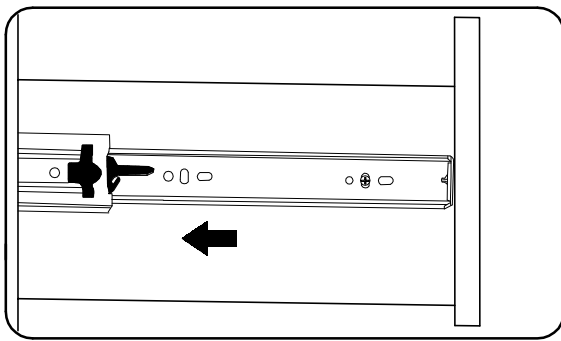
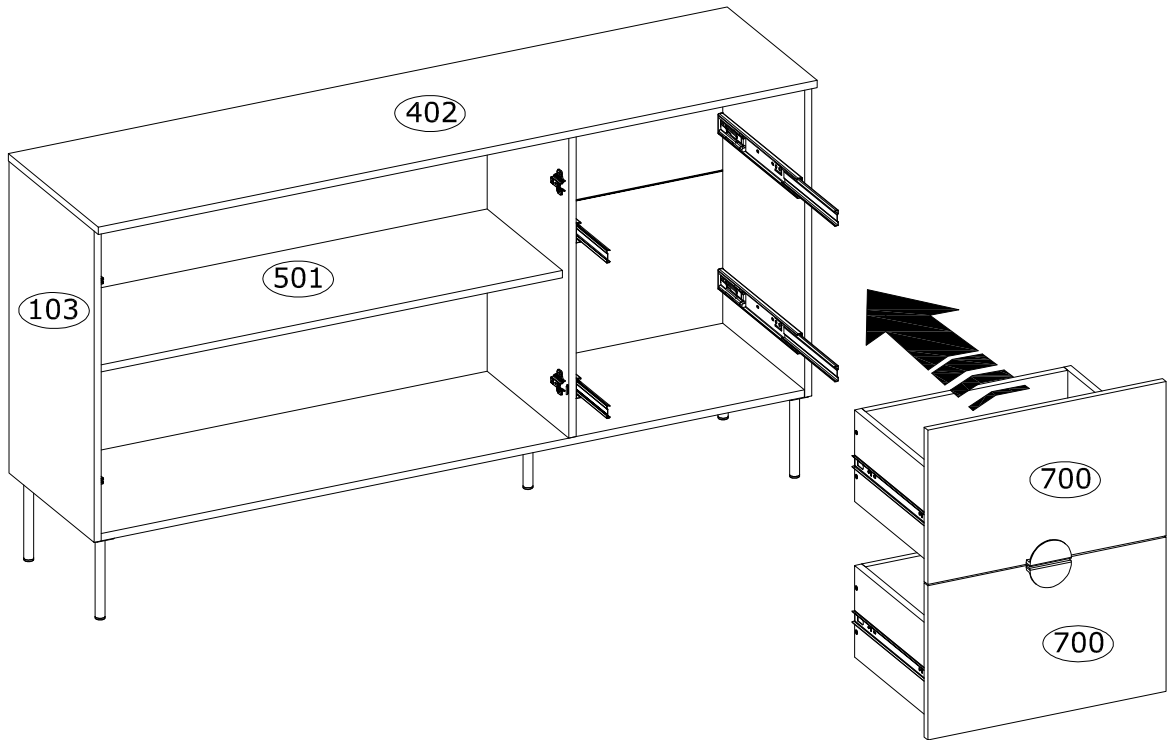


22

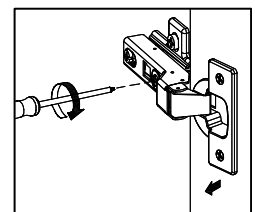
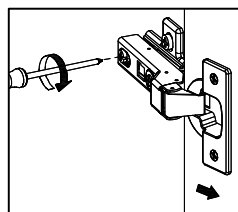
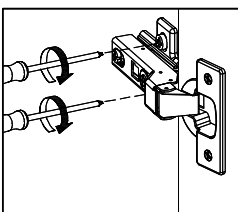
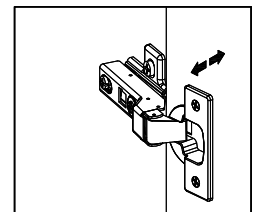
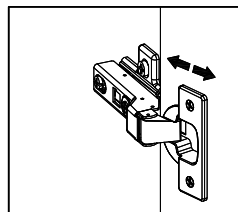
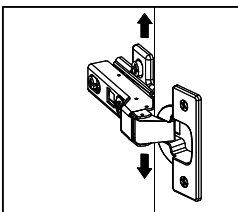
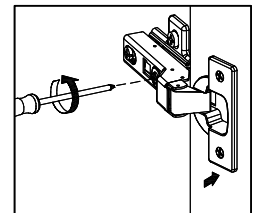
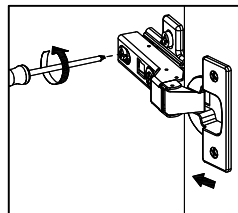
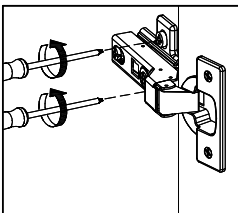
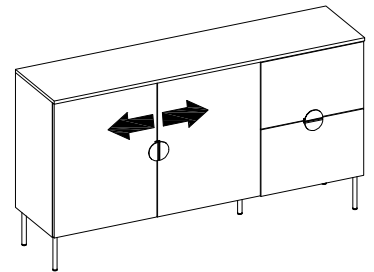
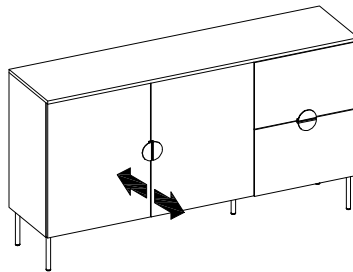
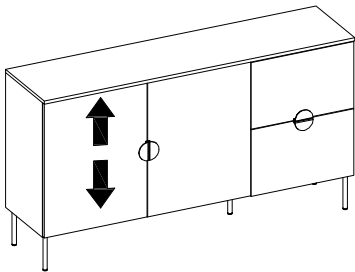
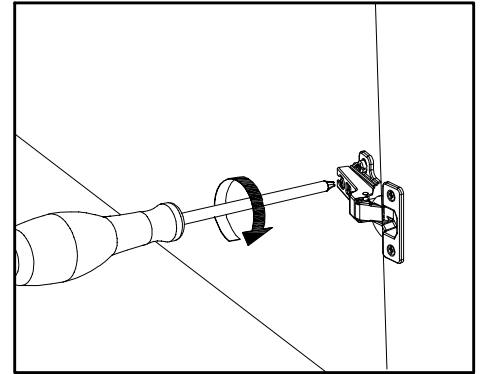
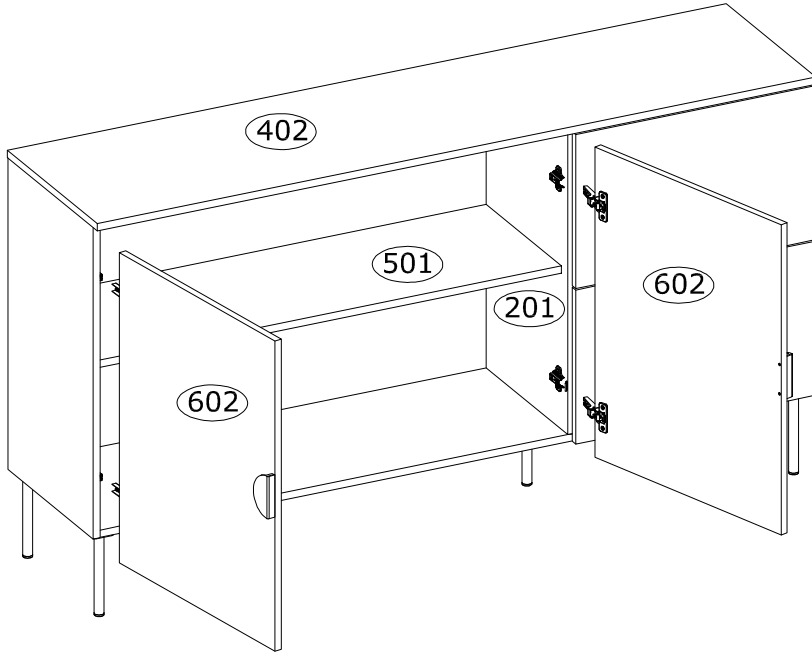
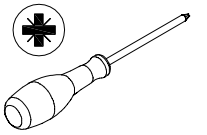


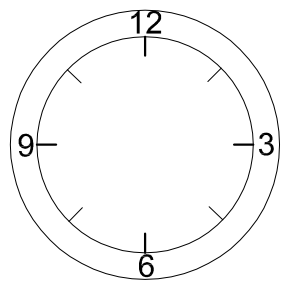
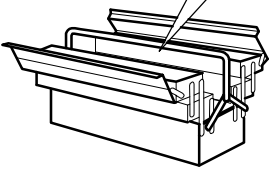
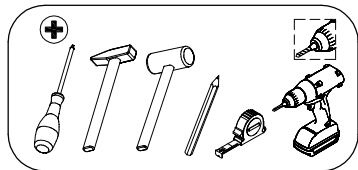
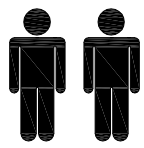
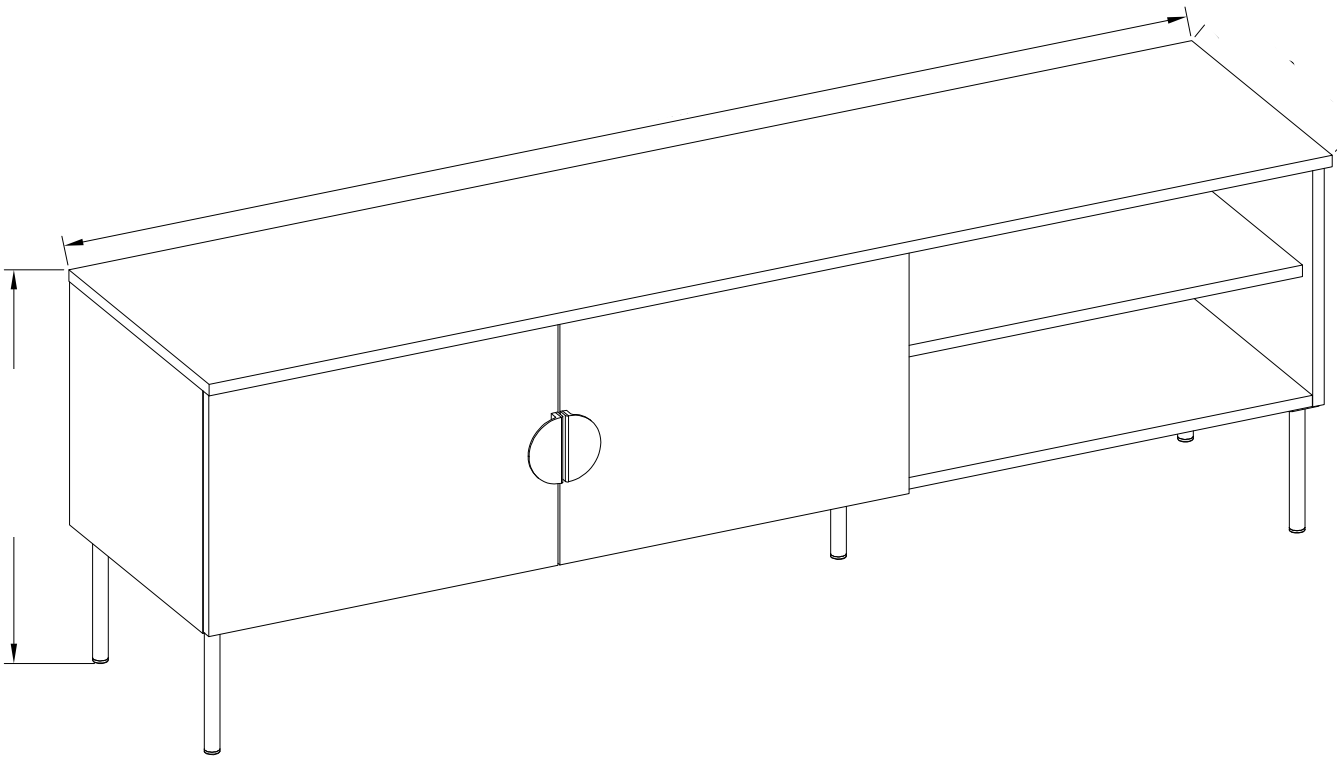
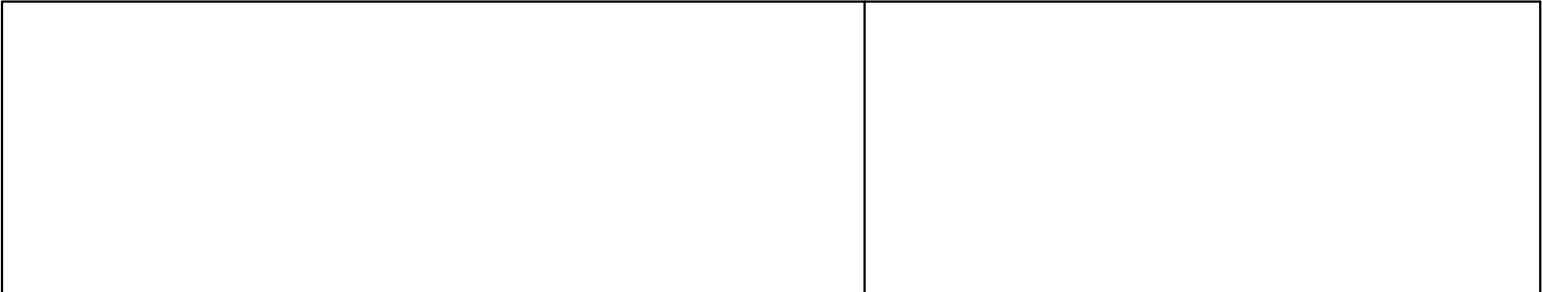
21

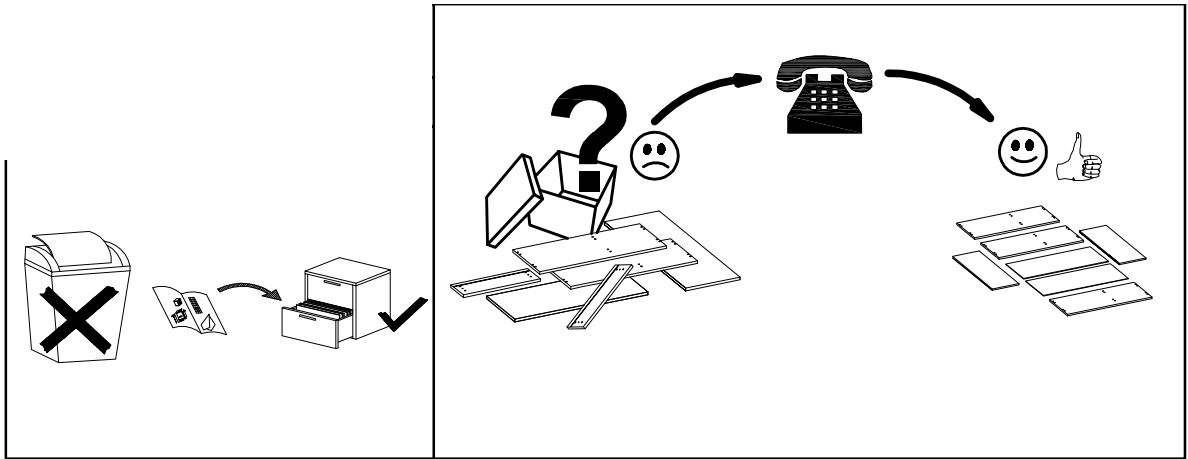
F Ø3,5x16 mm x4 3918 	D Ø20 mm x8 136239 	
---	---	--

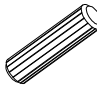
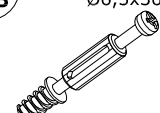






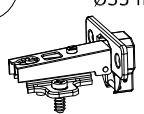
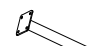




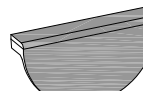
21

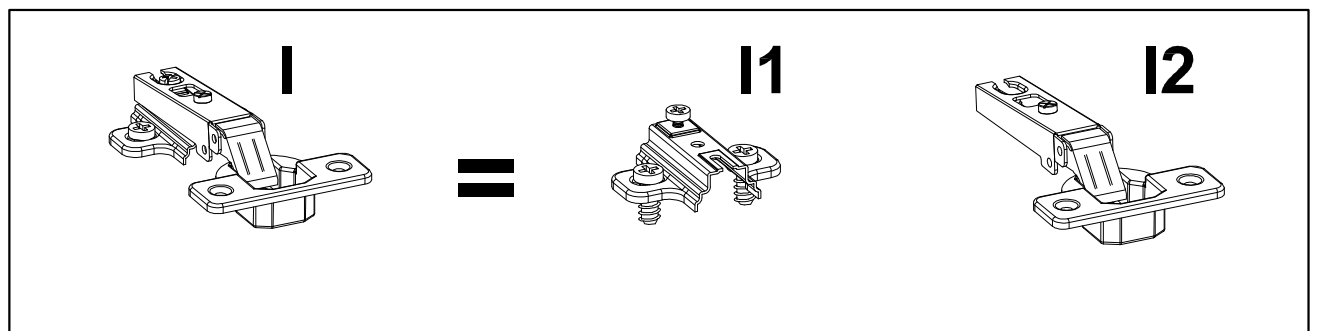




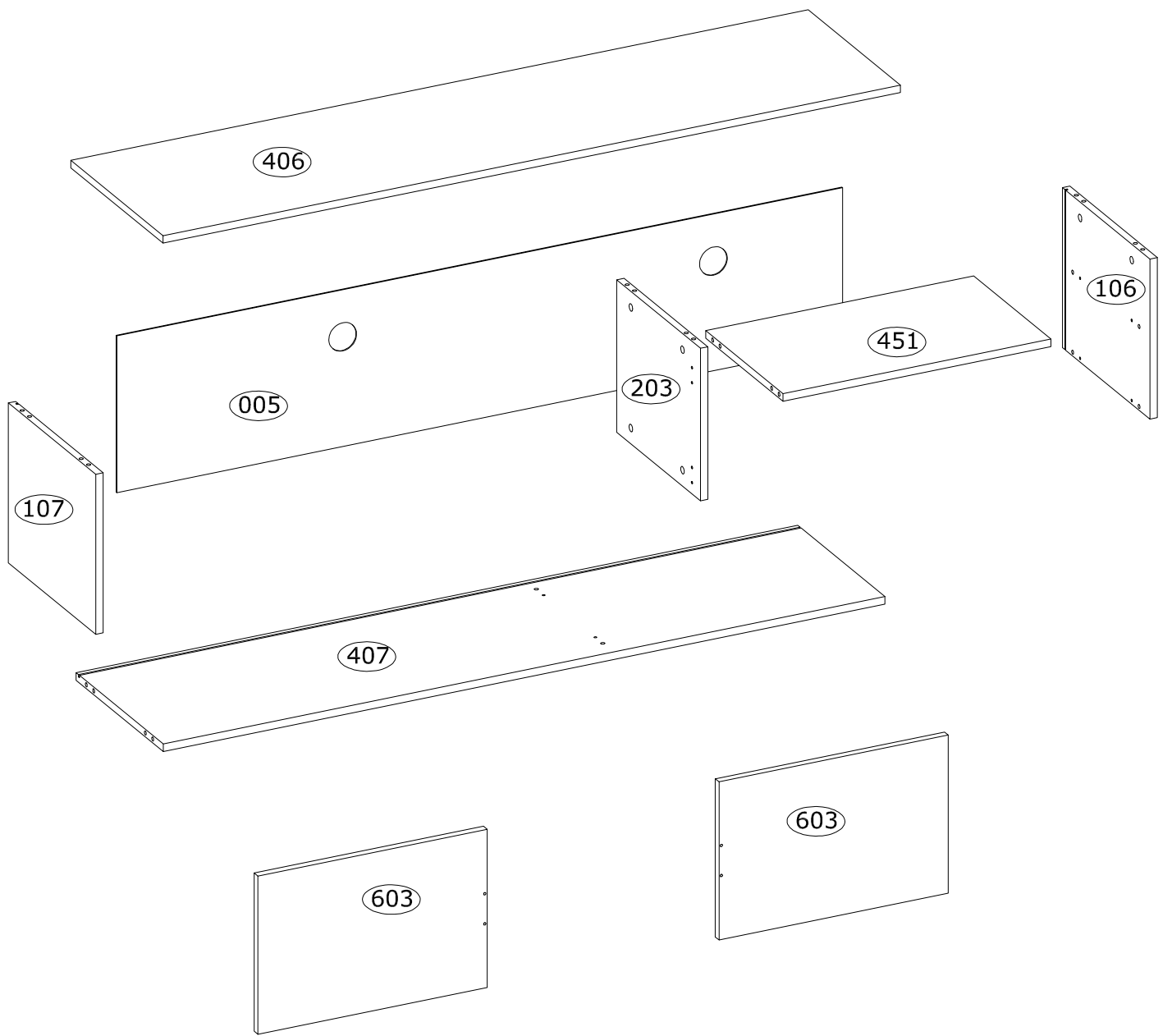


A Ø8x30 mm  x16 3989	B Ø6,5x36,5 mm  x16 4066	C Ø15x12 mm  x16 3996	D Ø20 mm  x8 136239	E 15x14x11 mm  x10 4044
F Ø3,5x16 mm  x28 3918	G Ø60x4 mm  x2 4034	H Ø3,0x25 mm  x3 3887	I Ø35 mm, KR0  x4 IN01640	J Ø20, H-180  x5 232943
K 96X48X20 mm  x2 236246 236248				

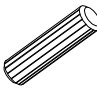

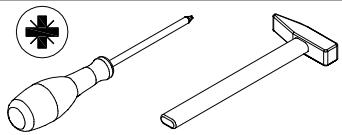
K 96X48X20 mm  x2 UMOOG64 236246	K 96X48X20 mm  x2 UM00BL64 236248
--	---

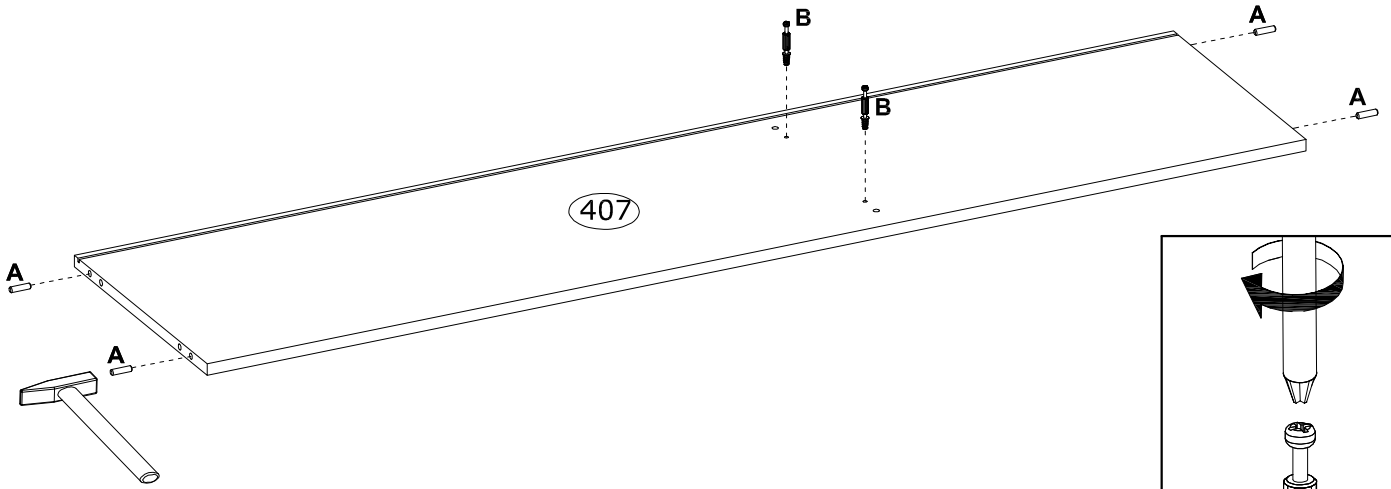


0
10
20
30
40
50
60
70
80
90
100
110
120
130
140
150
160
170
180
190
200

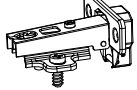

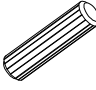
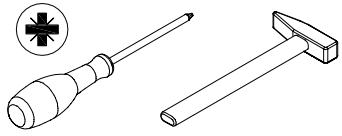


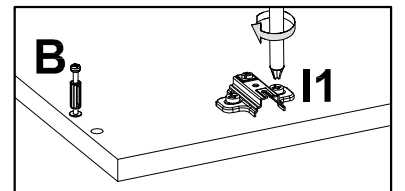
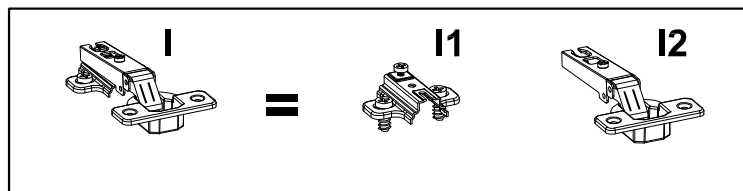
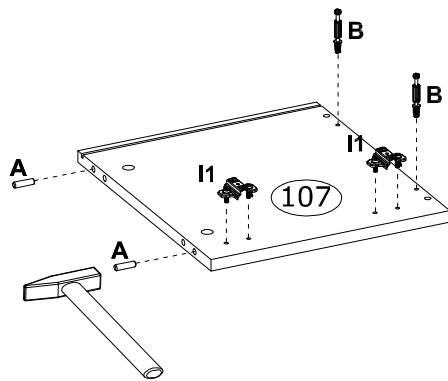
1

A Ø8x30 mm  x4 3989	B Ø6,5x36,5 mm  x2 4066	
---	---	--

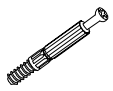
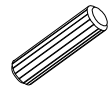
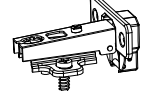
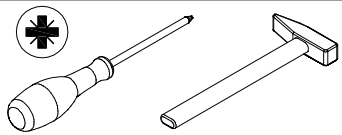


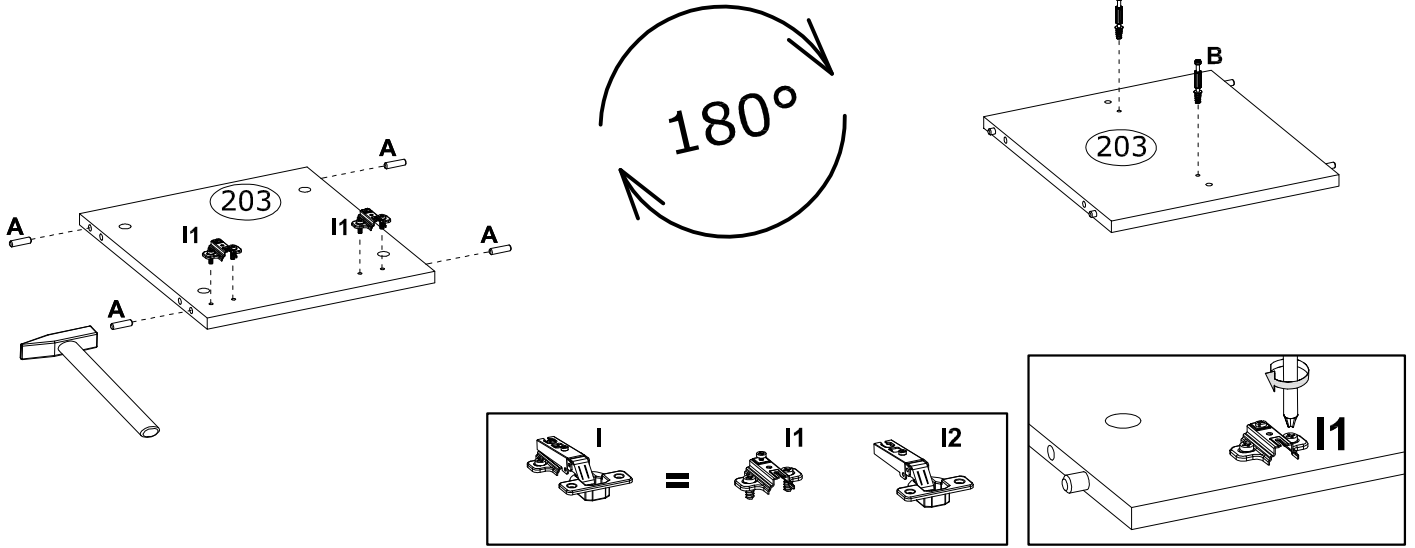
2

I Ø35 mm, KR0  x2 IN01640	B Ø6,5x36,5 mm  x2 4066	A Ø8x30 mm  x2 3989	
---	---	---	---



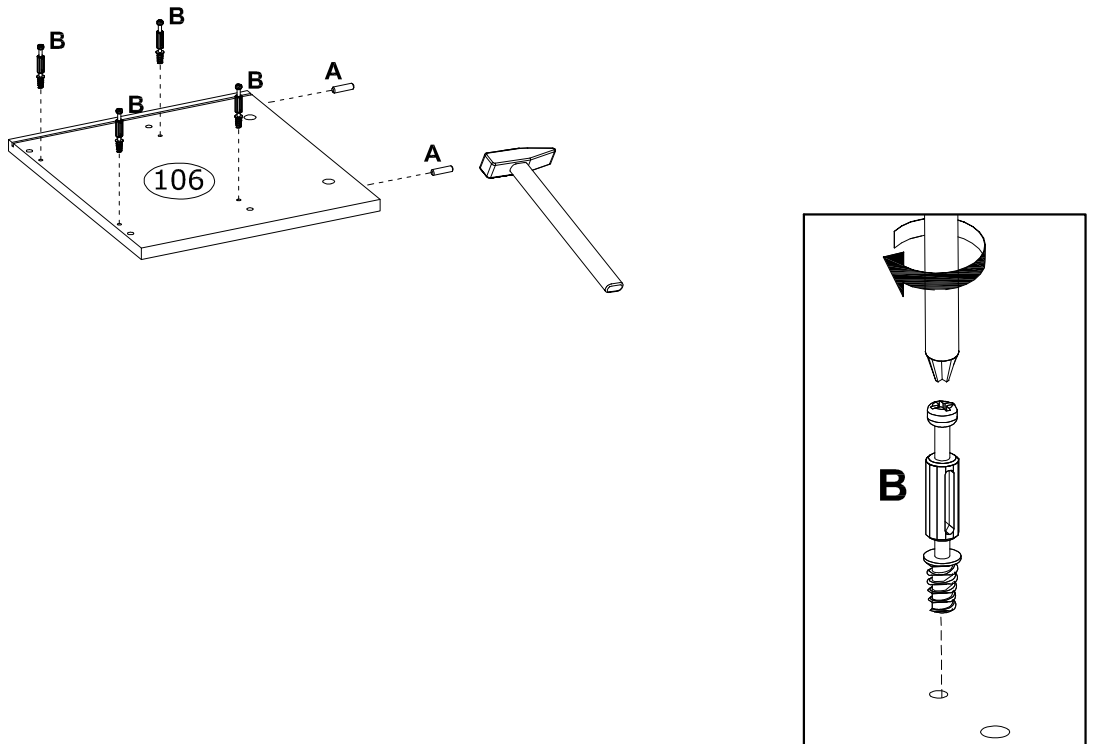
3

B Ø6,5x36,5 mm  x2 4066	A Ø8x30 mm  x4 3989	I Ø35 mm , KR0  x2 IN01640	
---	---	--	--



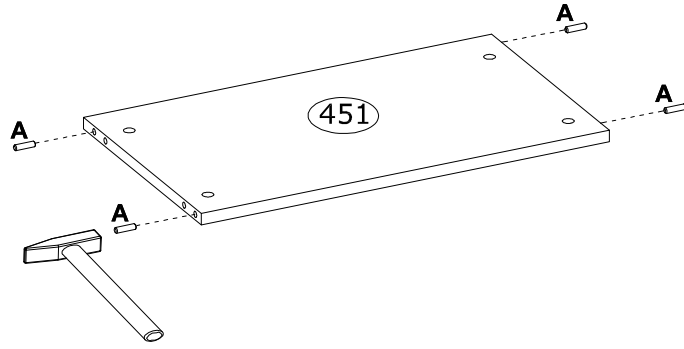
4

B Ø6,5x36,5 mm  x4 4066	A Ø8x30 mm  x2 3989	
--	--	--


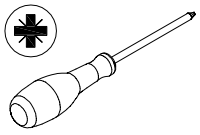


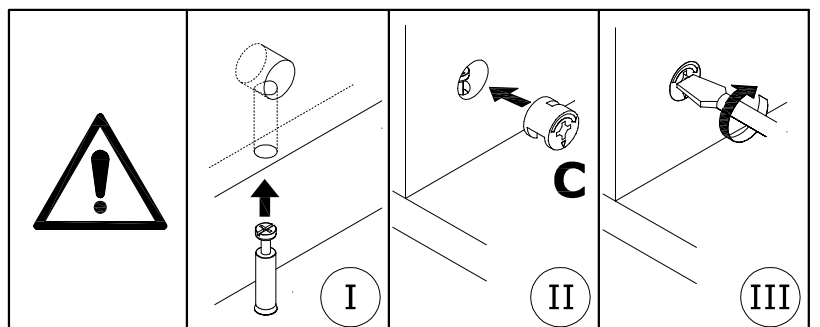
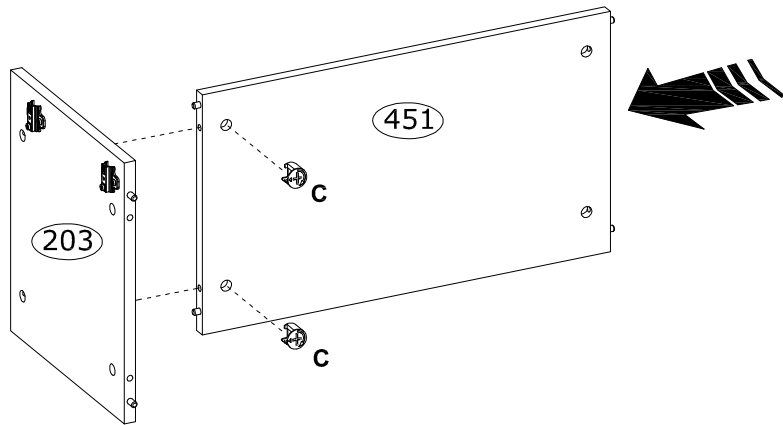
5

A	$\varnothing 8 \times 30$ mm		x4 3989	
----------	------------------------------	---	------------	--


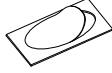
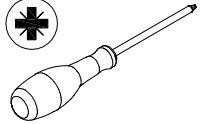


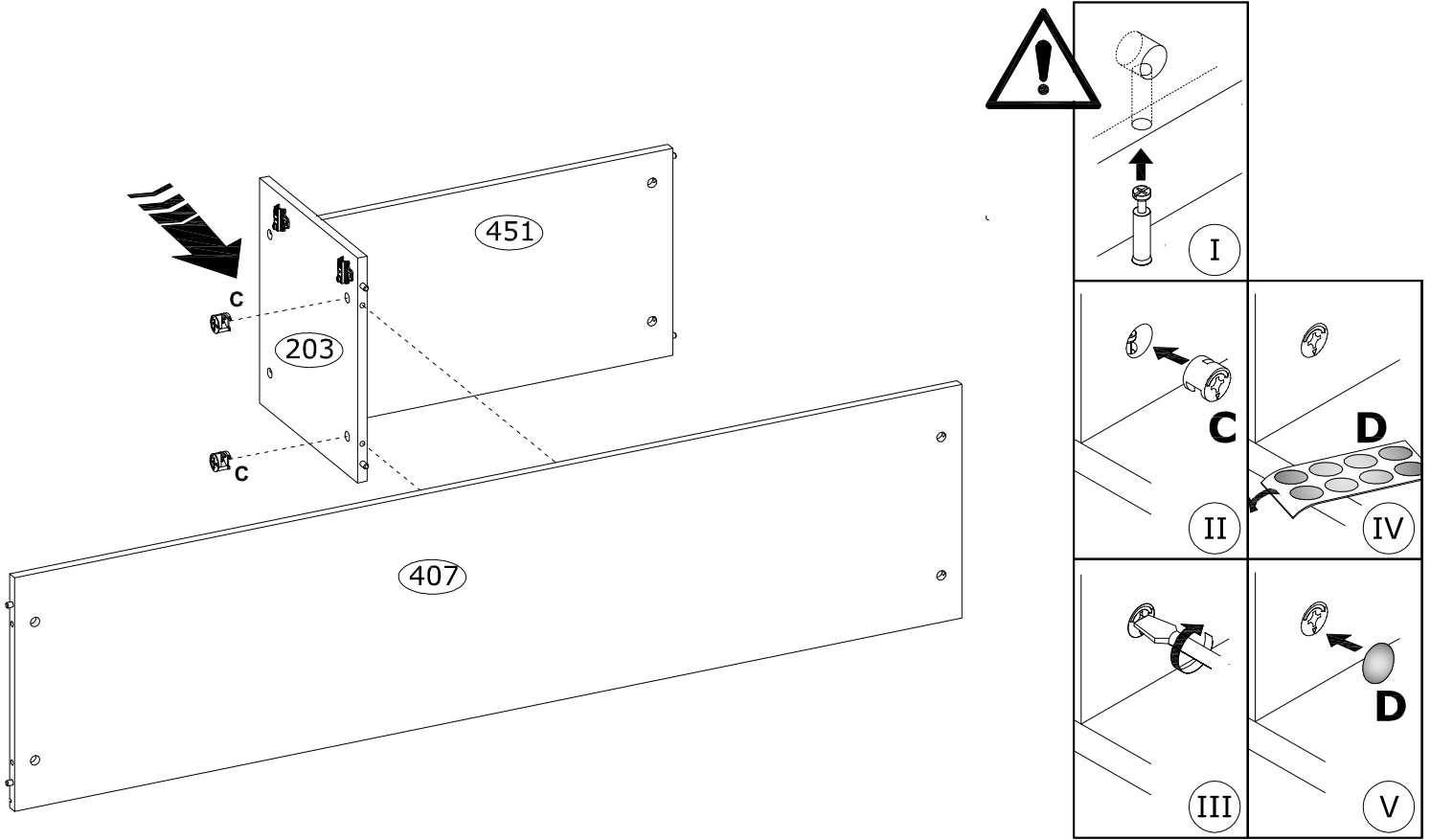
6

C	$\varnothing 15 \times 12$ mm		x2 3996	
----------	-------------------------------	--	------------	--

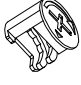
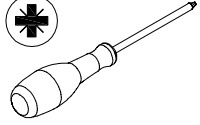


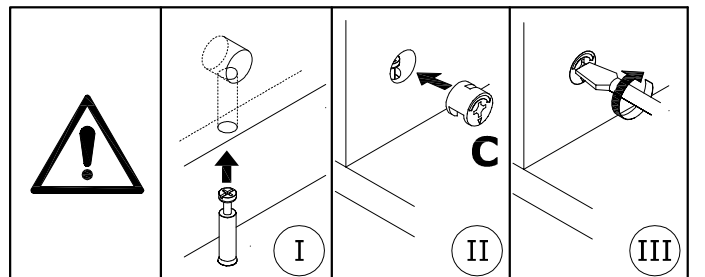
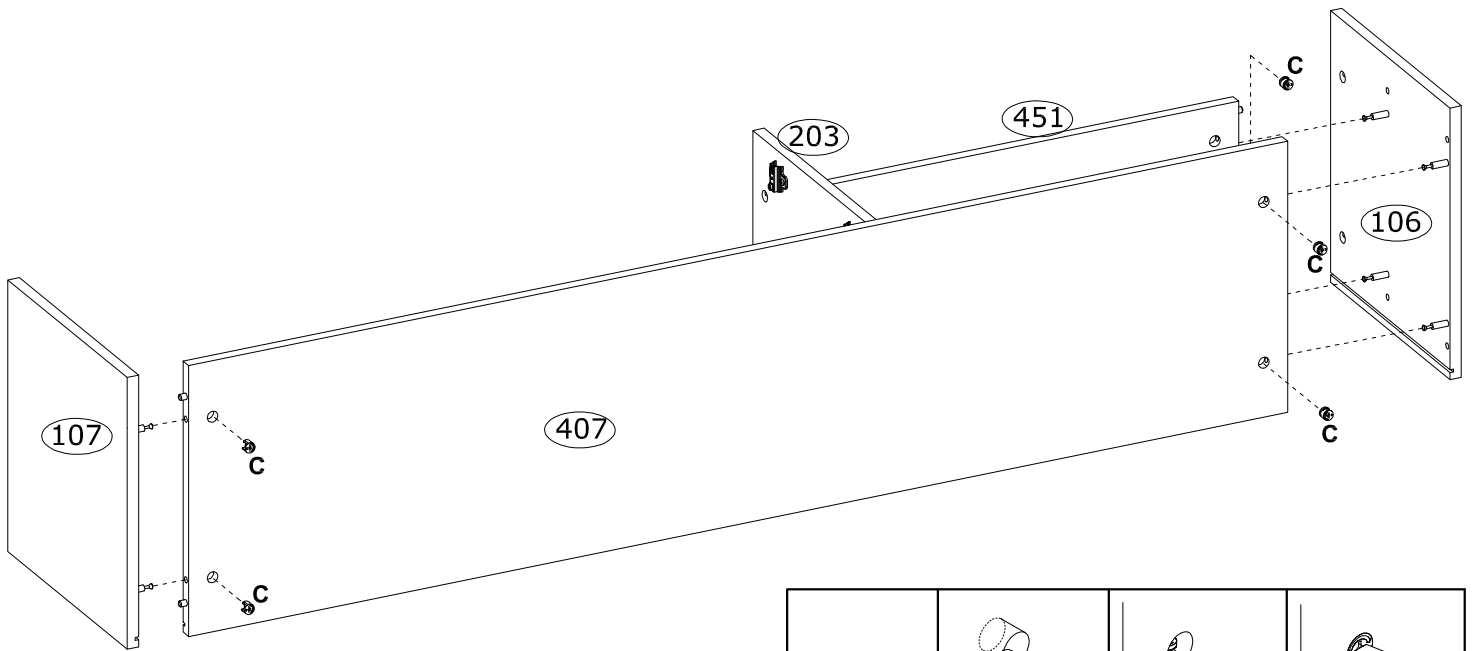
7

C Ø15x12 mm  x2 3996	D Ø20 mm  x2 136239	
--	---	--



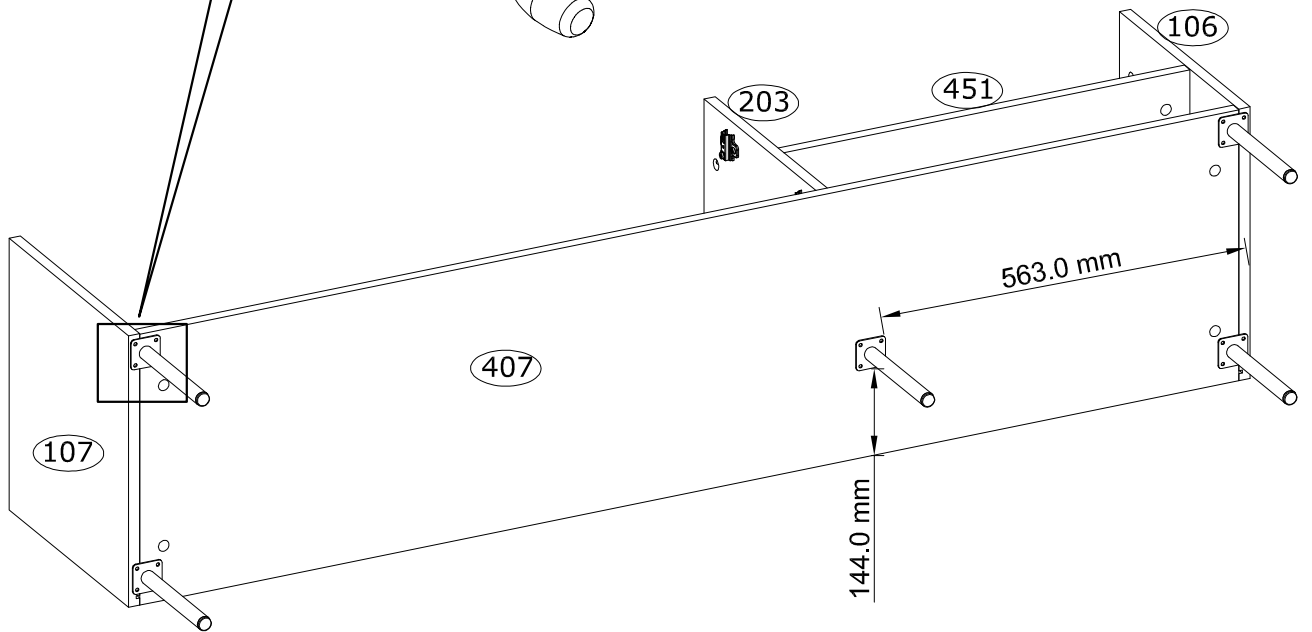
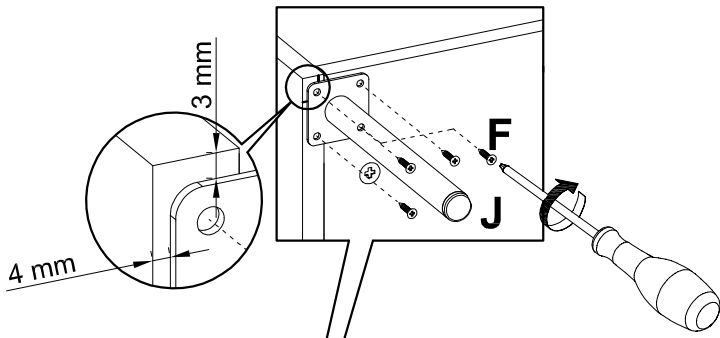
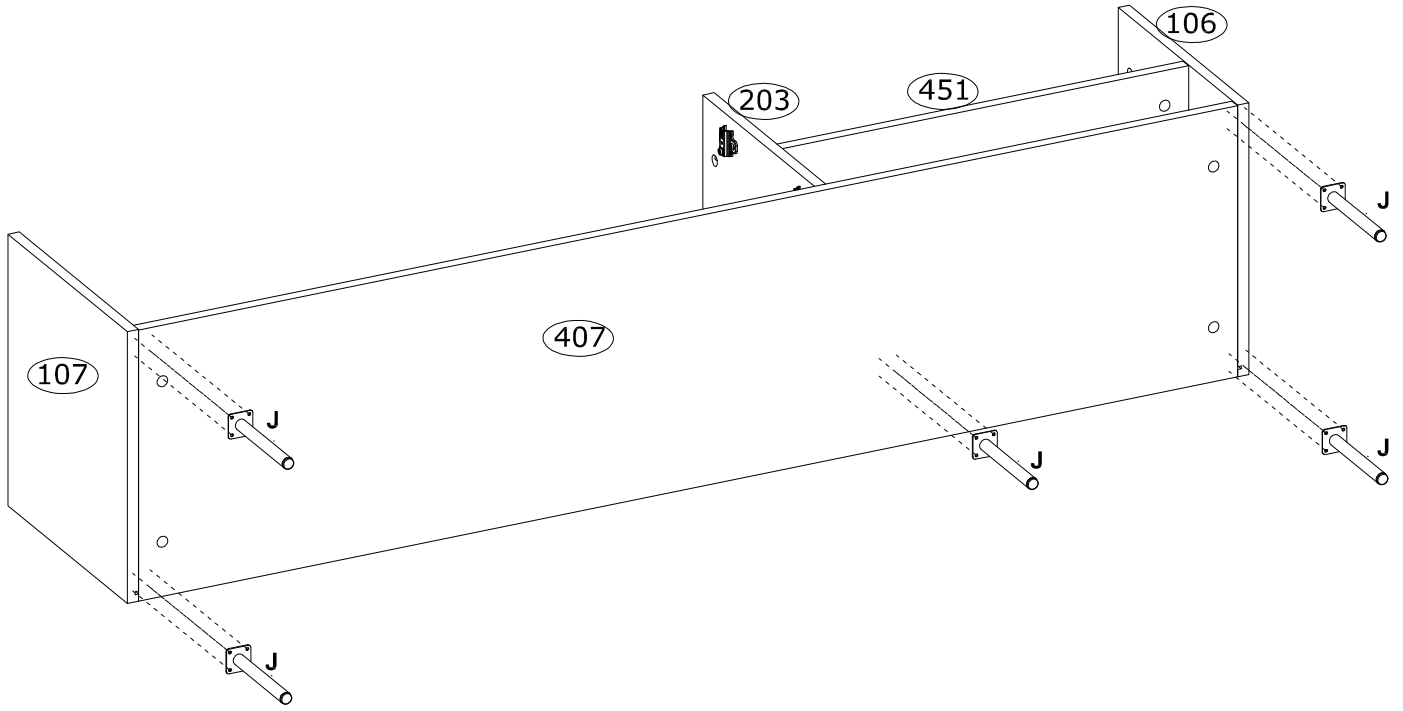
8

C Ø15x12 mm  x6 3996	
--	---

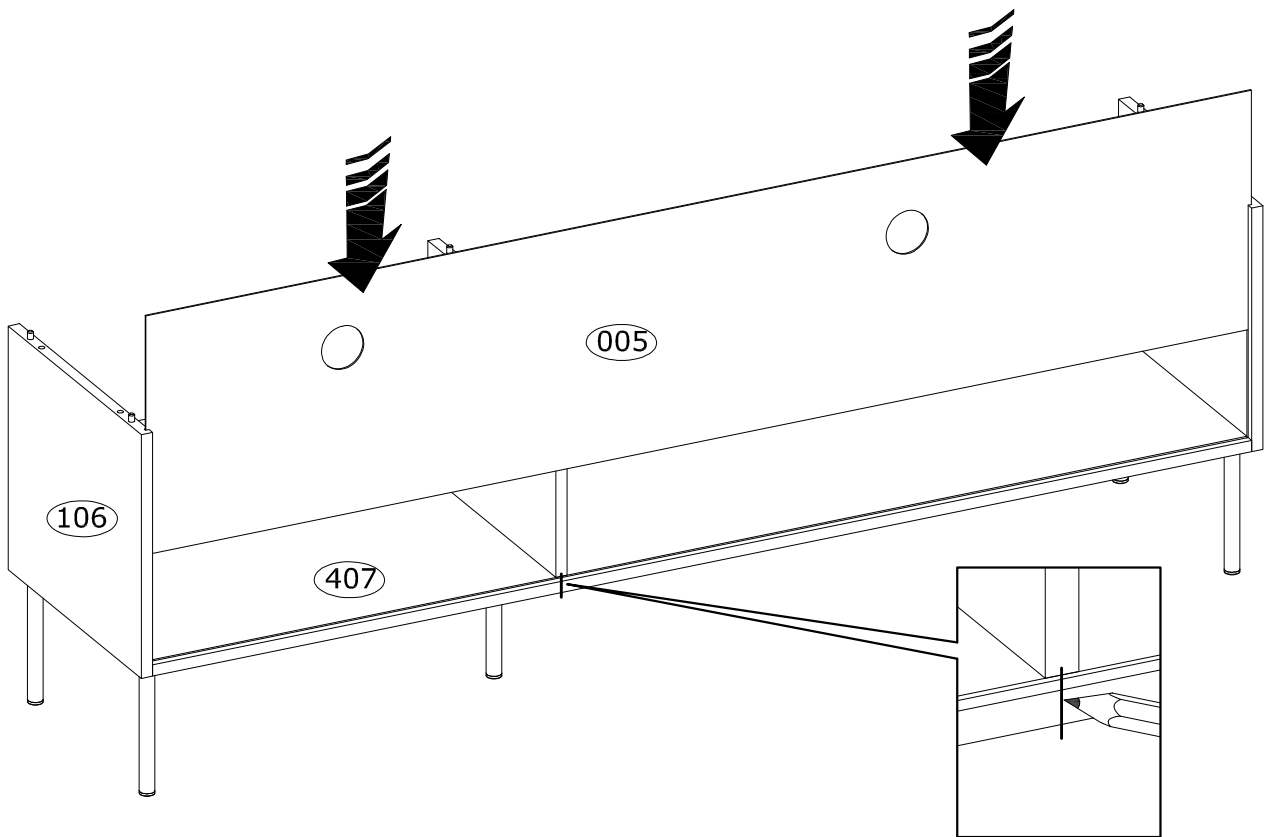
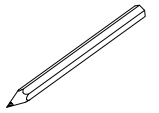


9

J Ø20, H-180 x5 232943	F Ø3,5x16 mm x20 3918	
--	---------------------------------------	--

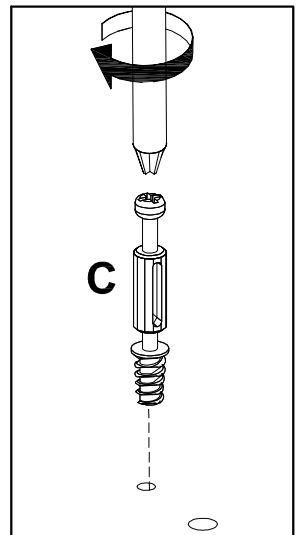
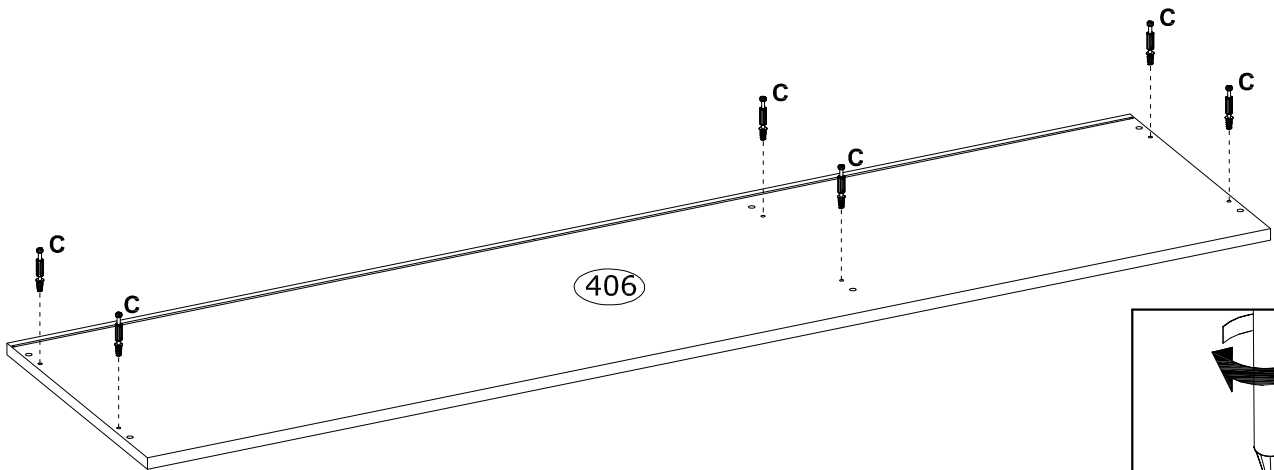
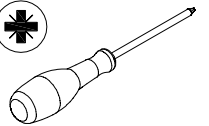


10




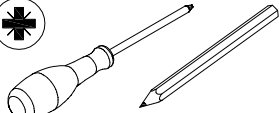


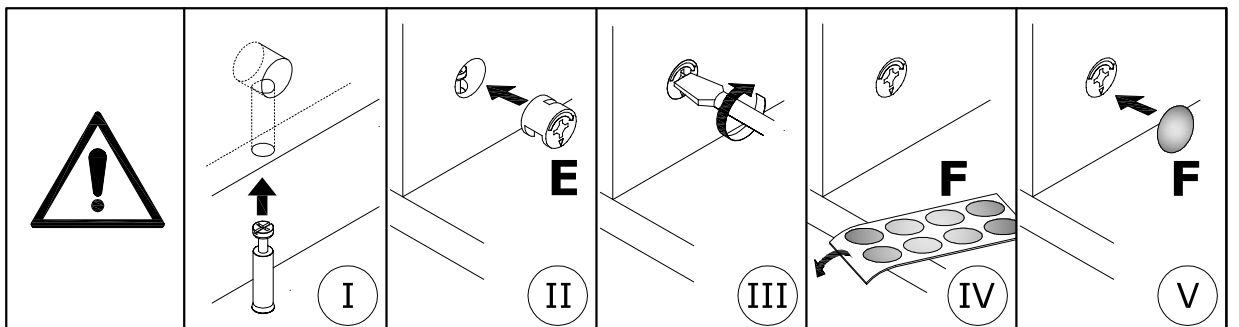
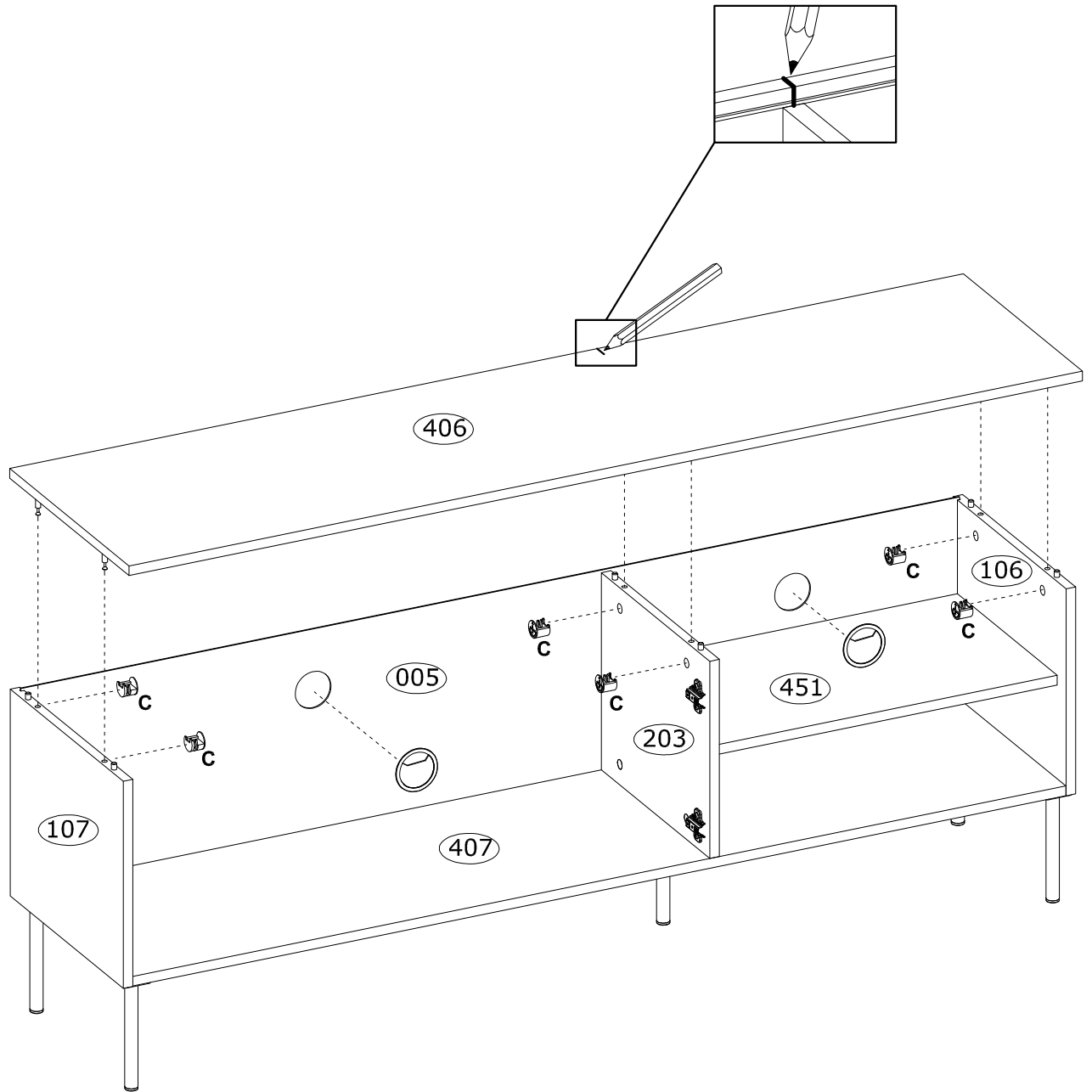
11

C
Ø6,5x36,5 mm
x6
4066


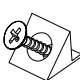


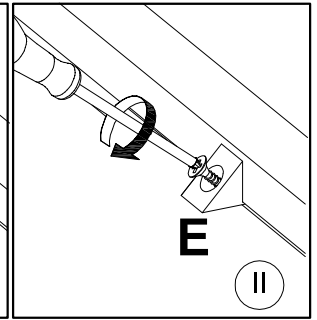
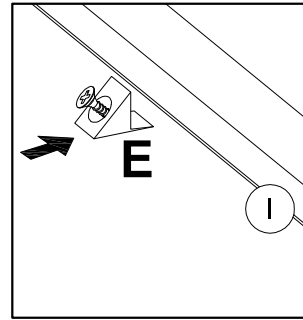
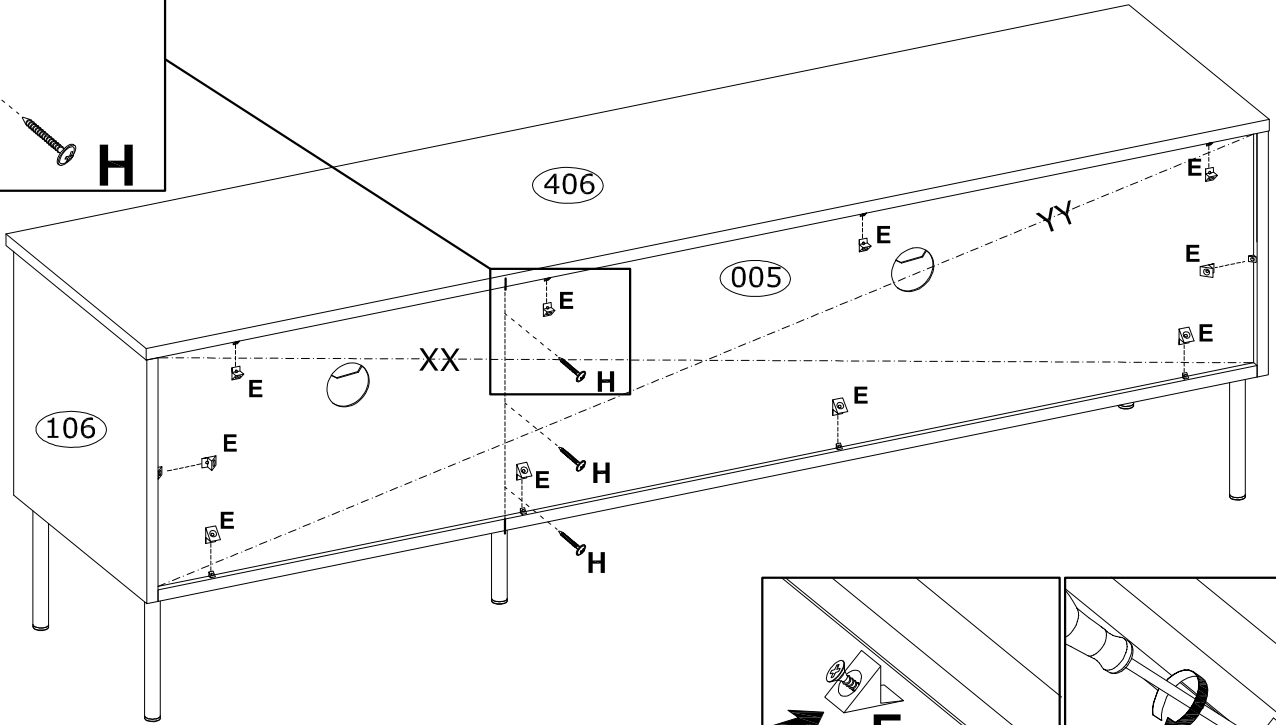
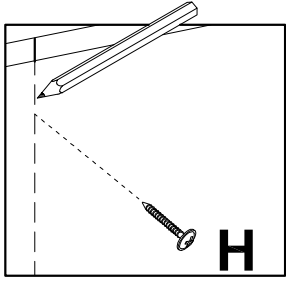
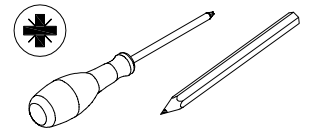
12

G Ø60x4 mm  x2 4034	C Ø15x12 mm  x6 3996	F Ø20 mm  x6 136239	
---	--	---	--


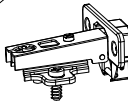



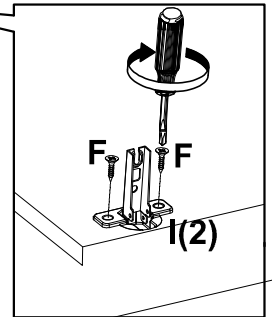
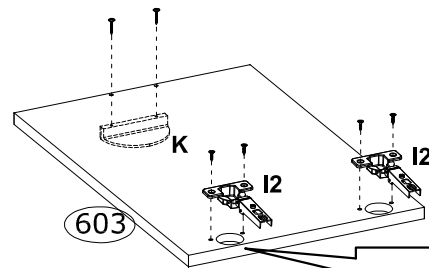
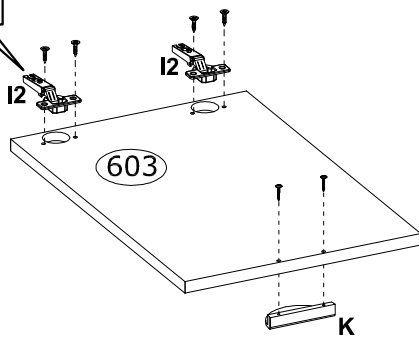
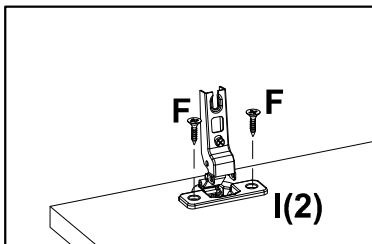
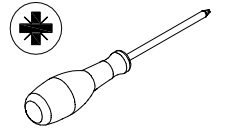
13

H Ø3,0x25 mm  x3 3887	E 15x14x11 mm  x10 4044
---	---

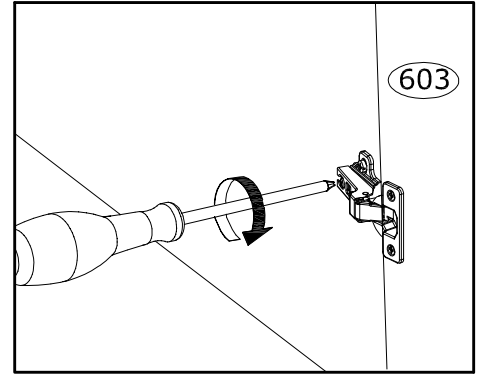
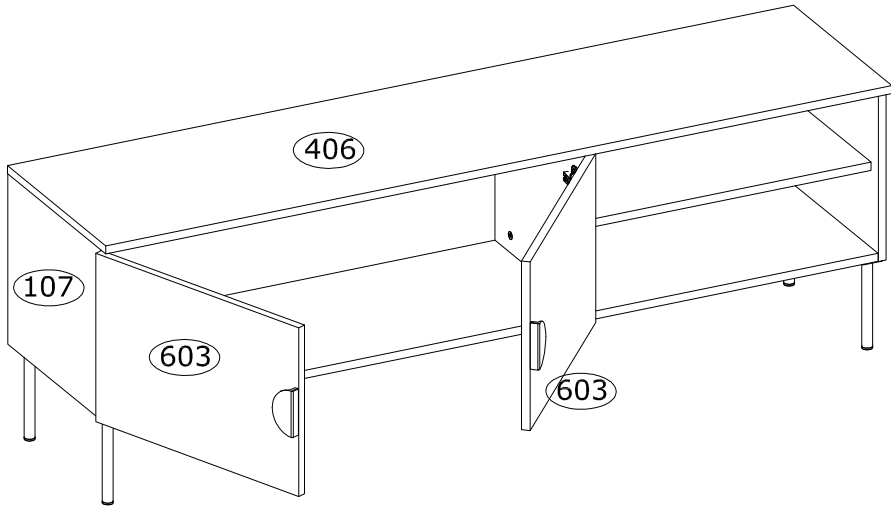


14

K 96x48x20 mm  x2 236246 236248	I Ø35 mm , KR0  x4 IN01640	F Ø3,5x16 mm  x8 3918
---	--	---



15



16

