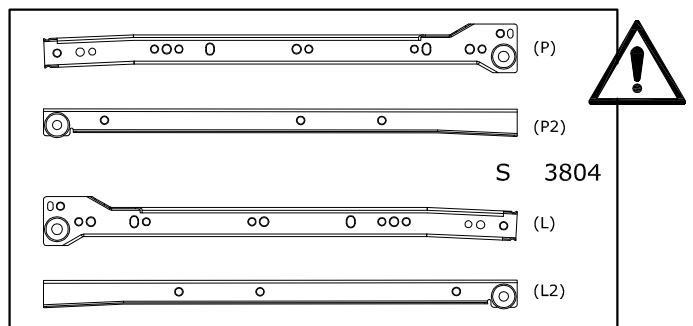
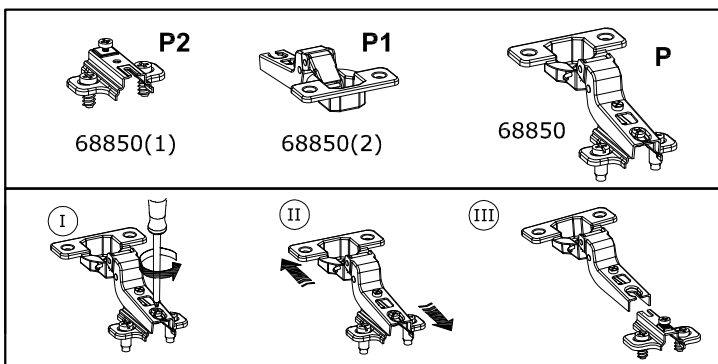
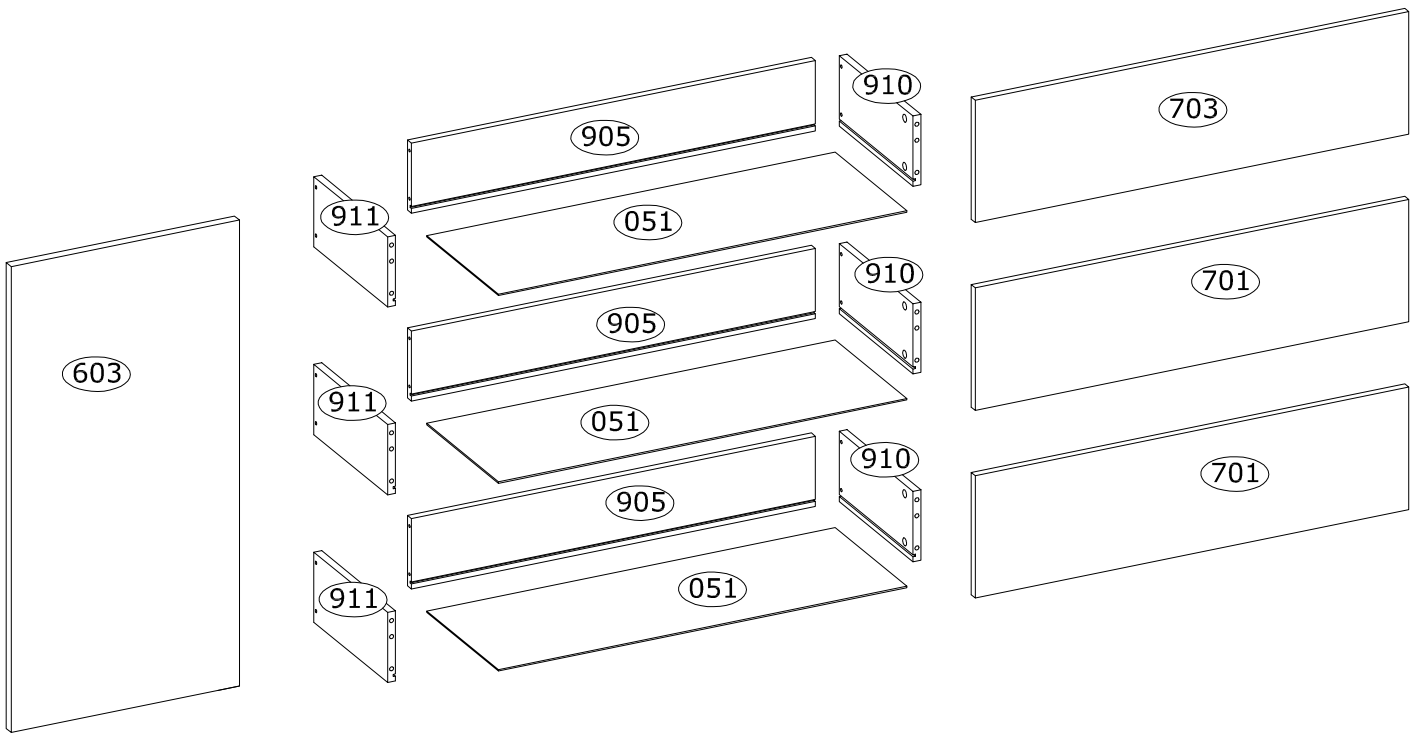
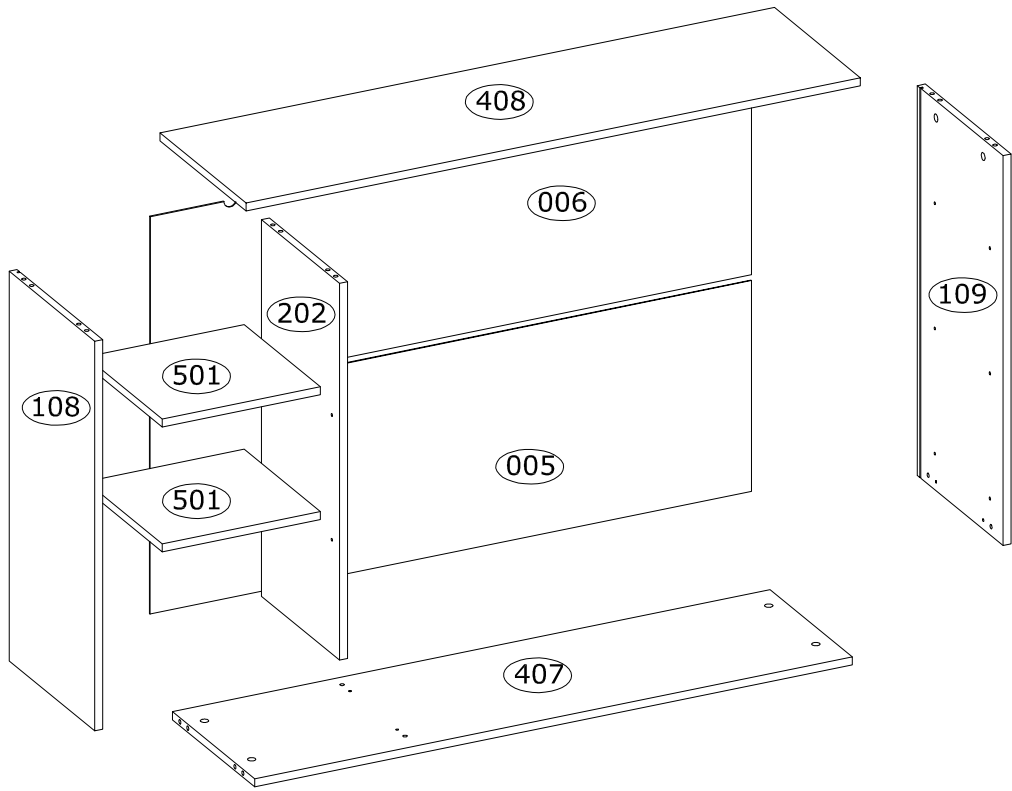




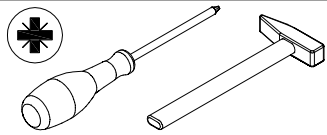


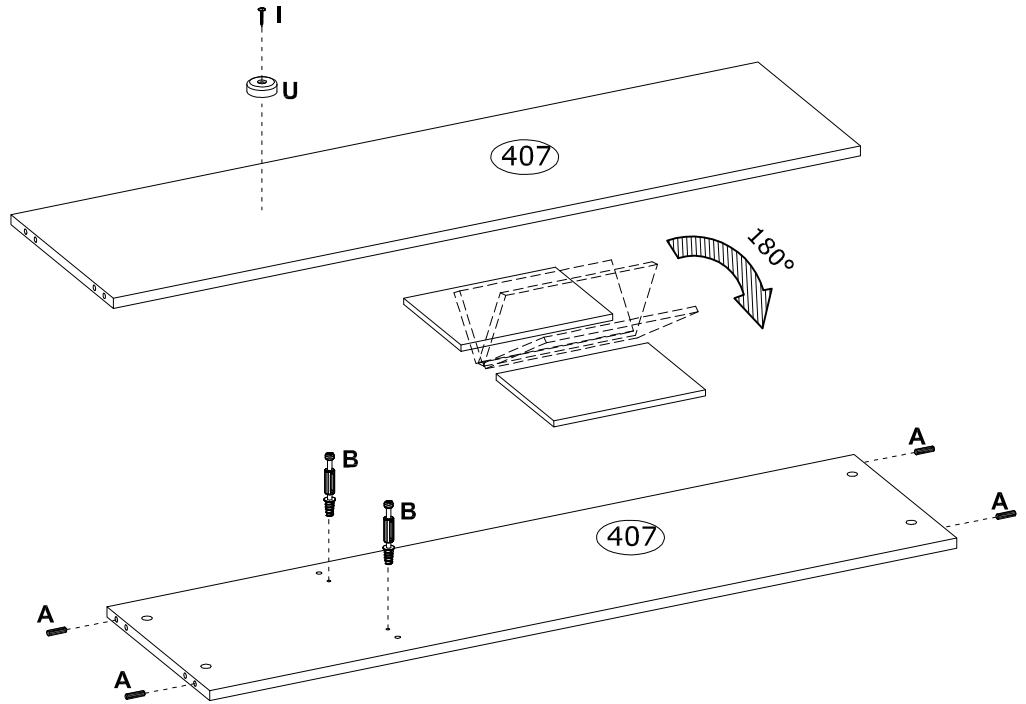
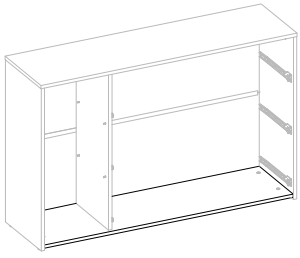
A Ø8x30 mm x18 3989	B Ø6,5x36,5 mm x24 4066	C Ø15x12 mm x24 3996	D Ø20 mm x8 136239	E Ø20 mm x16 136239
F Ø5x16 mm x8 4017	G Ø3,5x16 mm x34 3918	H 6,0x13 mm x12 3877	I Ø4,0x25 mm x1 3892	J 15x14x11 mm x10 4044
K Ø12x42 mm x12 IN01157	L 75x15x32 mm x2 71900	M 1,2x20 mm x20 3975	N x4 70313	O L- 334 mm x3 80867
P Ø35 mm , KR15 x2 68850	R 27X34 L-120mm x4 209928	S L- 350 mm x3 3804		
U 44x15 x1 71141	W L- 1212 mm x2 IN00378			



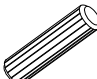


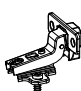
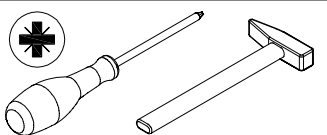
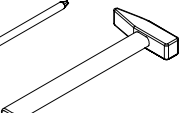


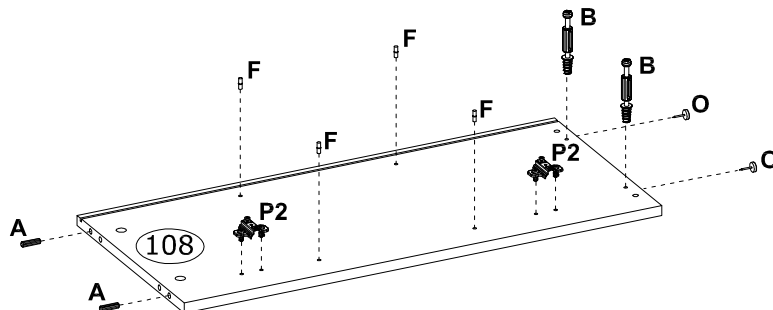
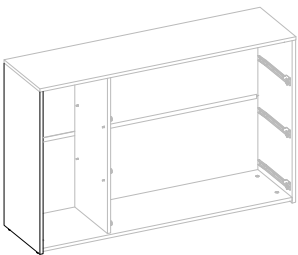
1

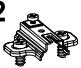

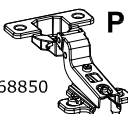
A $\varnothing 8 \times 30$ mm  x4 3989	B $\varnothing 6,5 \times 36,5$ mm  x2 4066	U 44x15  x1 71141	I $\varnothing 4,0 \times 25$ mm  x1 3892	
---	---	---	--	--



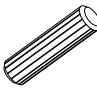
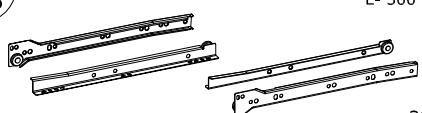

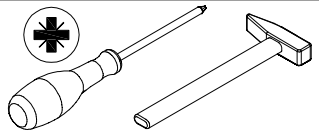
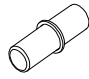
2

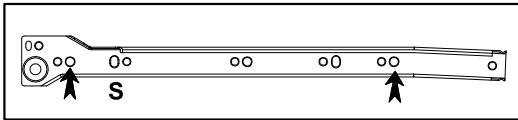
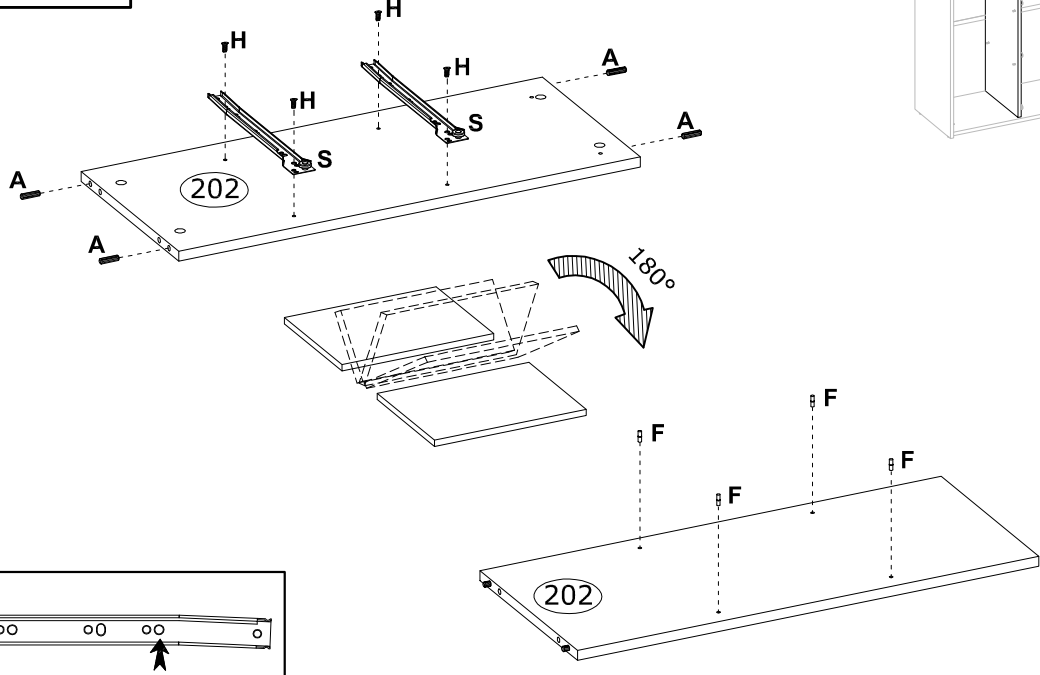
A $\varnothing 8 \times 30$ mm  x2 3989	F $\varnothing 5 \times 16$ mm  x4 4017	O  x2 70313	P $\varnothing 35$ mm, KR15  x2 68850	
B $\varnothing 6,5 \times 36,5$ mm  x2 4066				



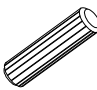
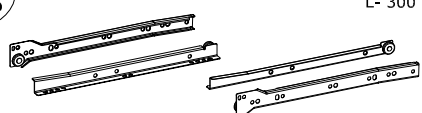

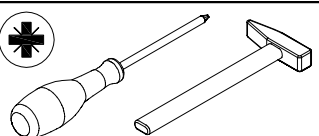


P2  68850(1)	P1  68850(2)	P  68850
---	--	--

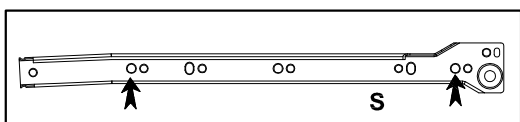
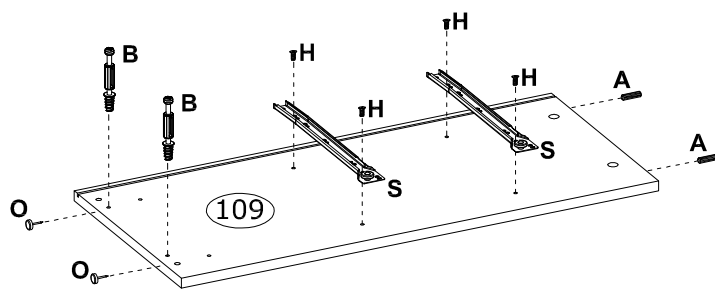
3

<p>A Ø8x30 mm</p>  <p>x4 3989</p>	<p>S L- 300 mm</p>  <p>x2 3802</p>	<p>H 6,0x13 mm</p>  <p>x4 3877</p>	
<p>F Ø5x16 mm</p>  <p>x4 4017</p>			



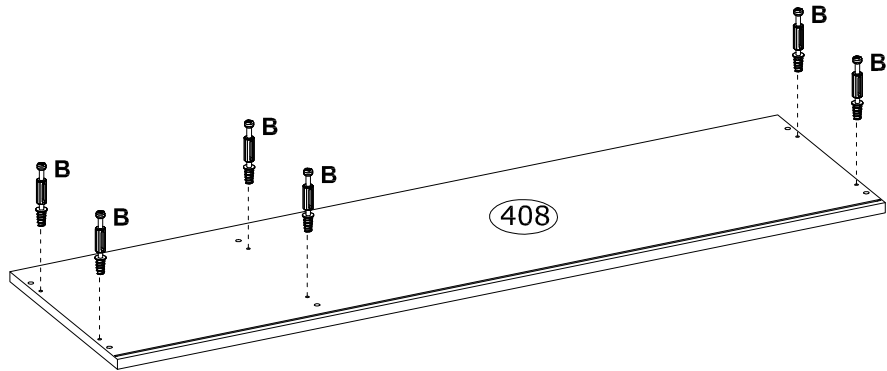
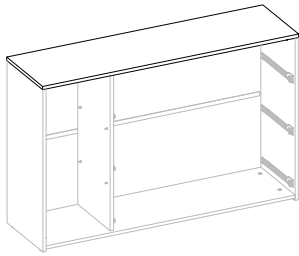
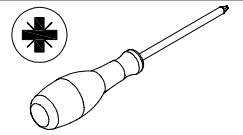
4

<p>A Ø8x30 mm</p>  <p>x2 3989</p>	<p>S L- 300 mm</p>  <p>x2 3802</p>	<p>H 6,0x13 mm</p>  <p>x4 3877</p>	
<p>O</p>  <p>x2 70313</p>	<p>B Ø6,5x36,5 mm</p>  <p>x2 4066</p>		



5

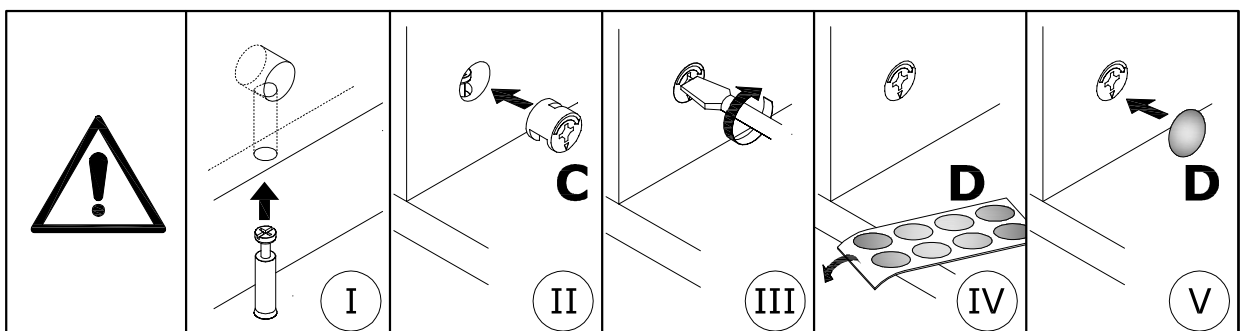
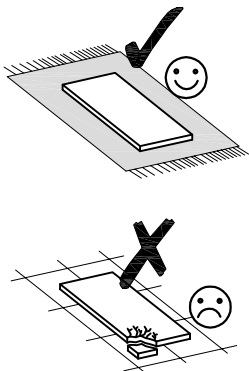
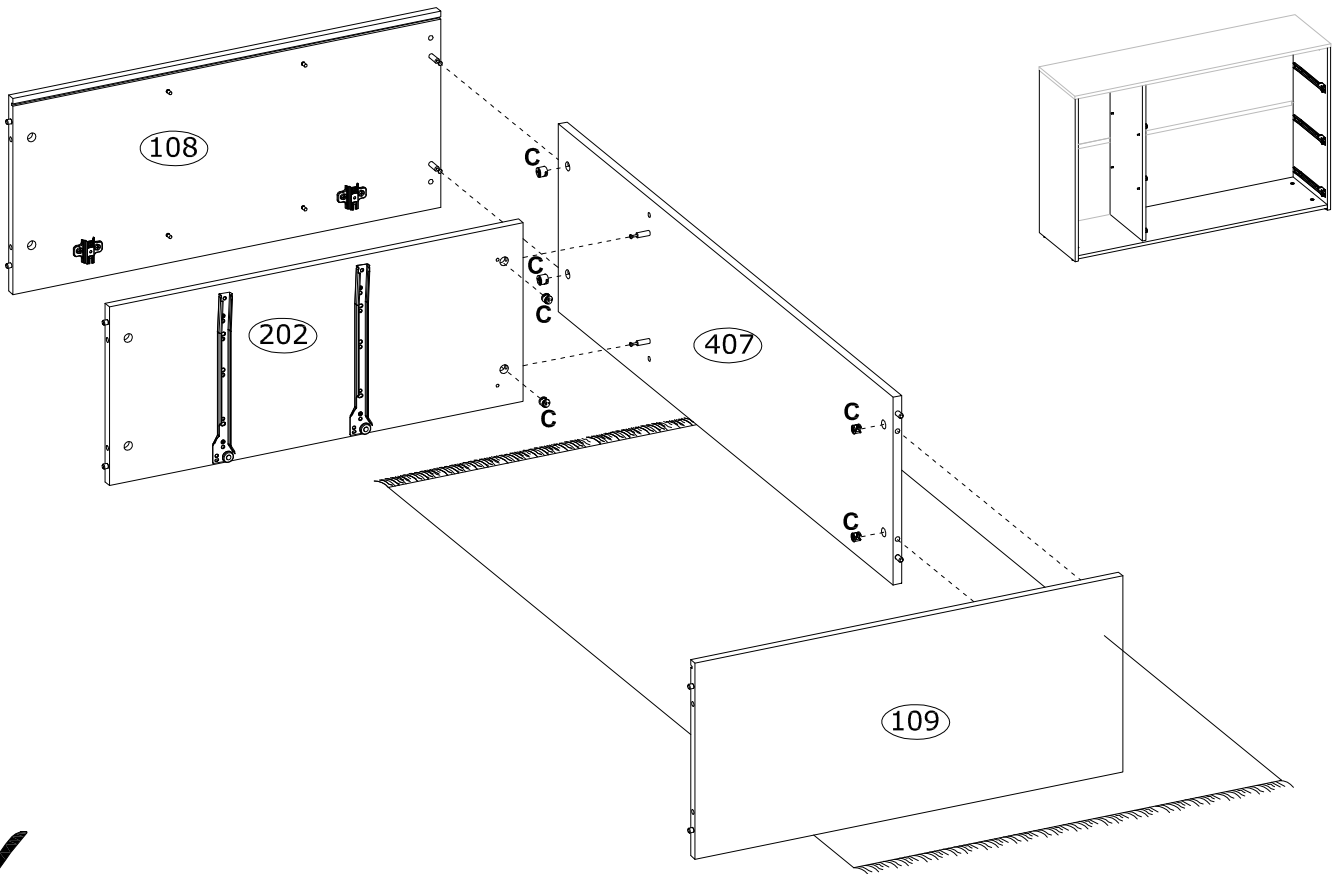
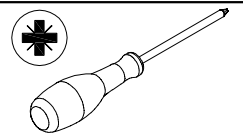
B Ø6,5x36,5 mm
x6
4066




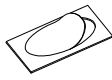
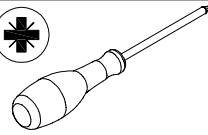
6

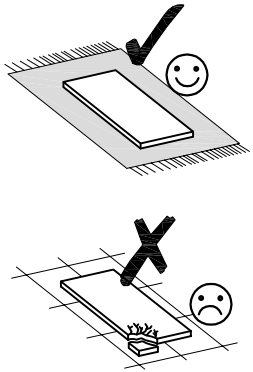
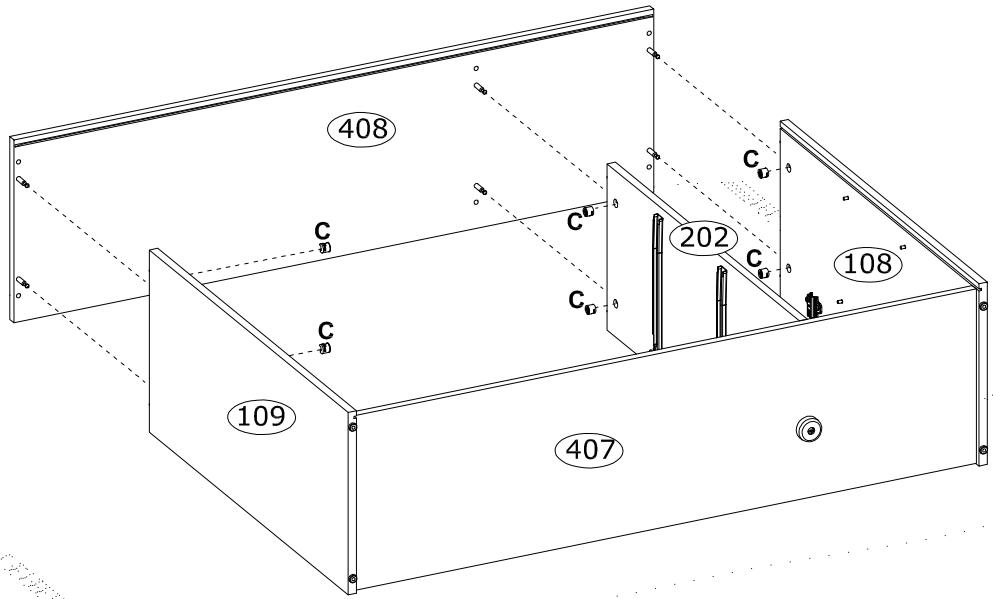
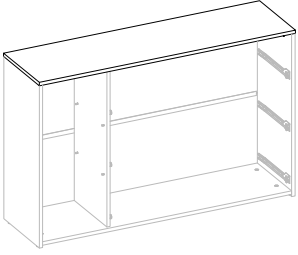
C Ø15x12 mm
x6
3996


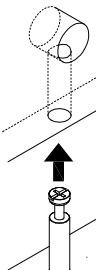
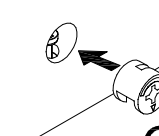
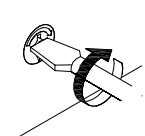

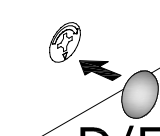
D Ø20 mm
x8
136239



7

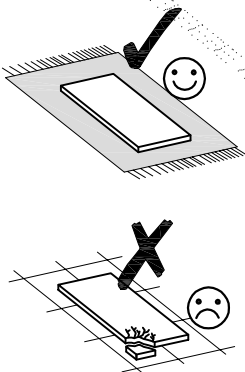
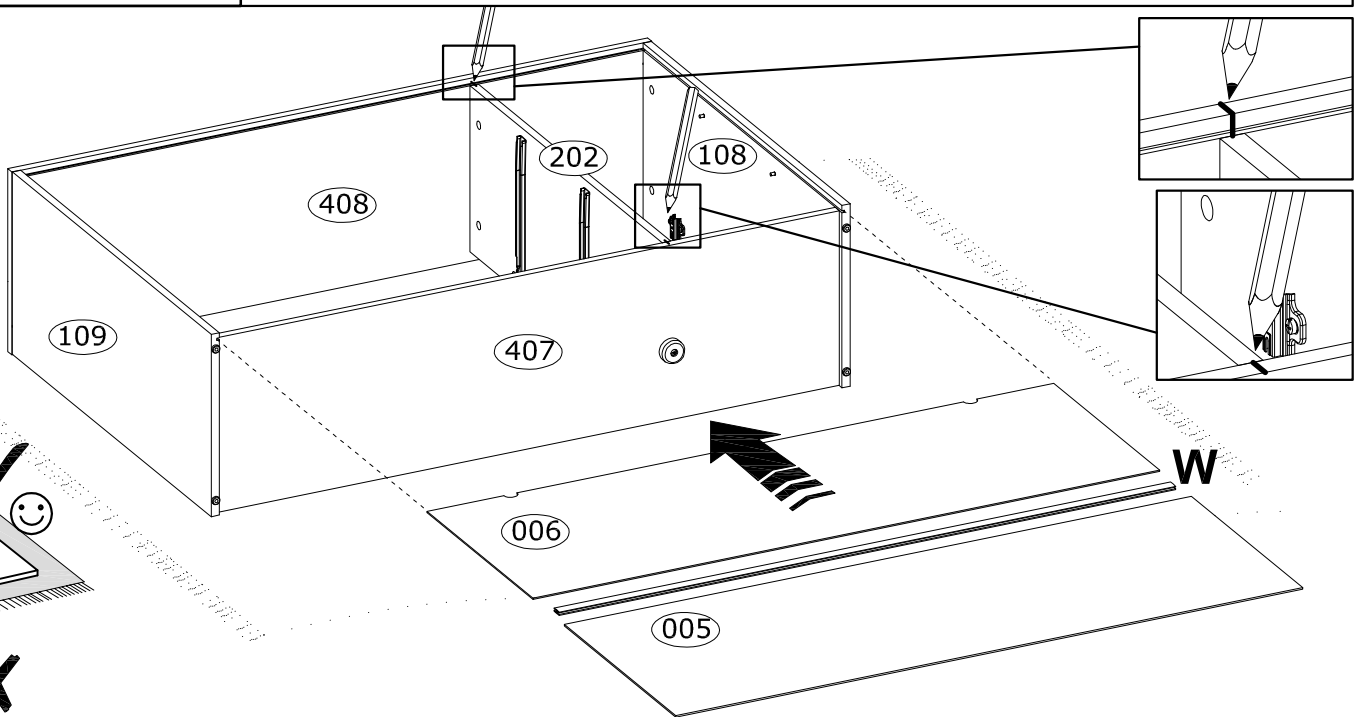
<p>C</p> <p>Ø15x12 mm</p>  <p>x6 3996</p>	<p>D</p> <p>Ø20 mm</p>  <p>x8 136239</p>	
---	--	--




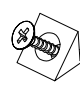
	 <p>I</p>	 <p>II</p>	 <p>III</p>	 <p>IV</p>	 <p>V</p>
--	---	--	--	--	---

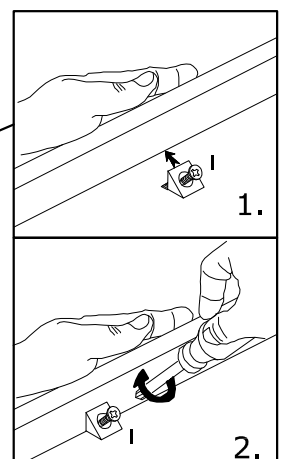
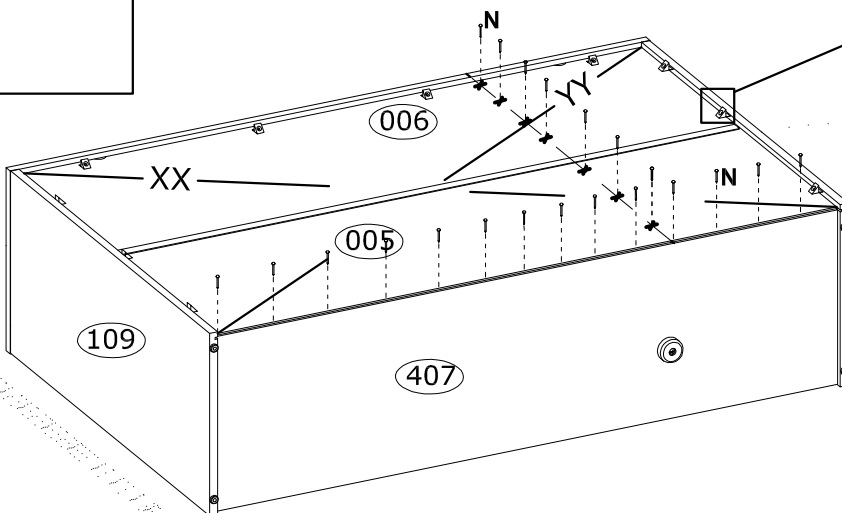
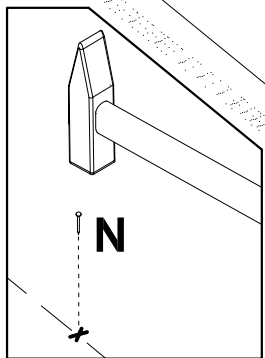
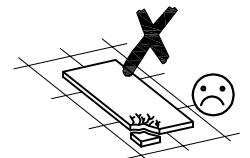
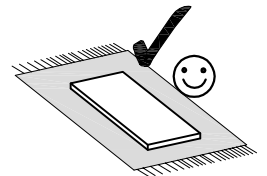
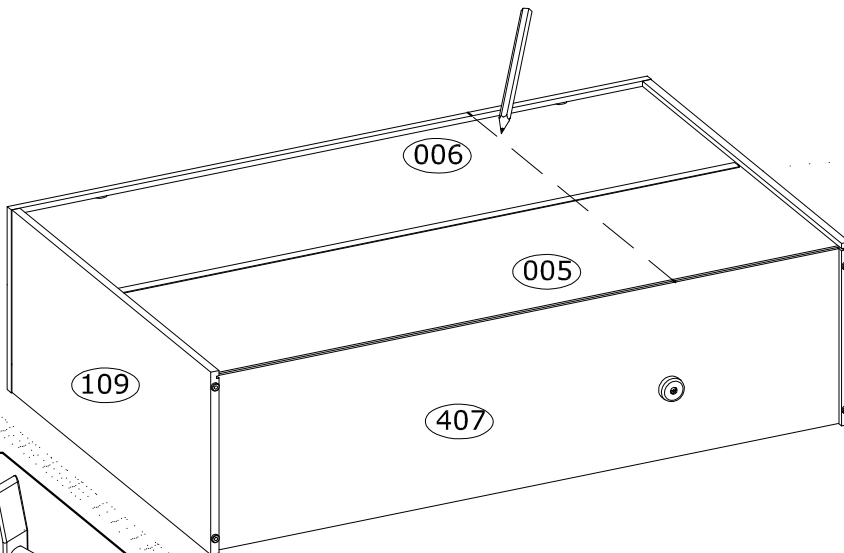
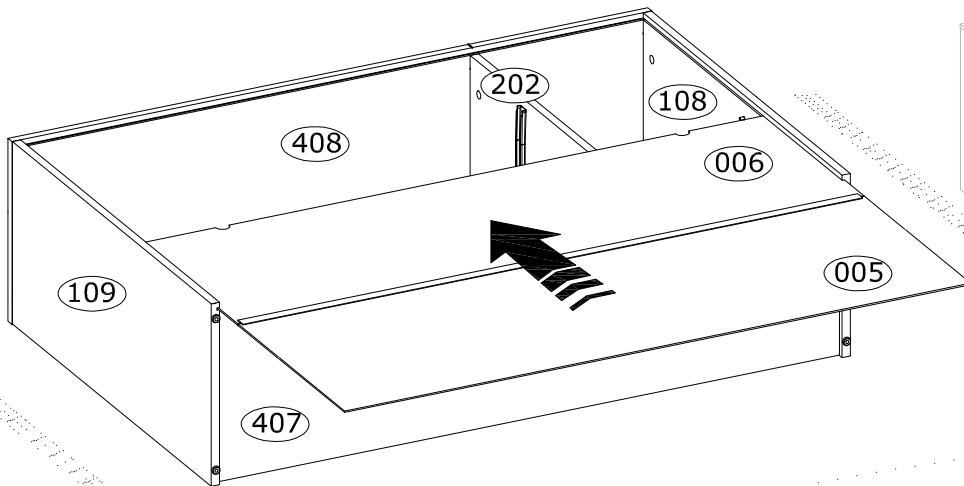
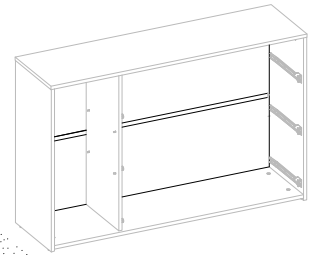
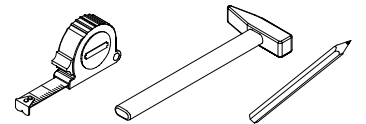
8

<p>W</p> <p>L- 1212 mm</p>  <p>x1 IN00378</p>	
---	---

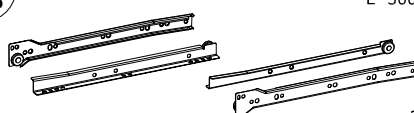

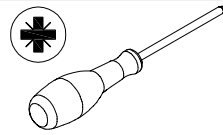


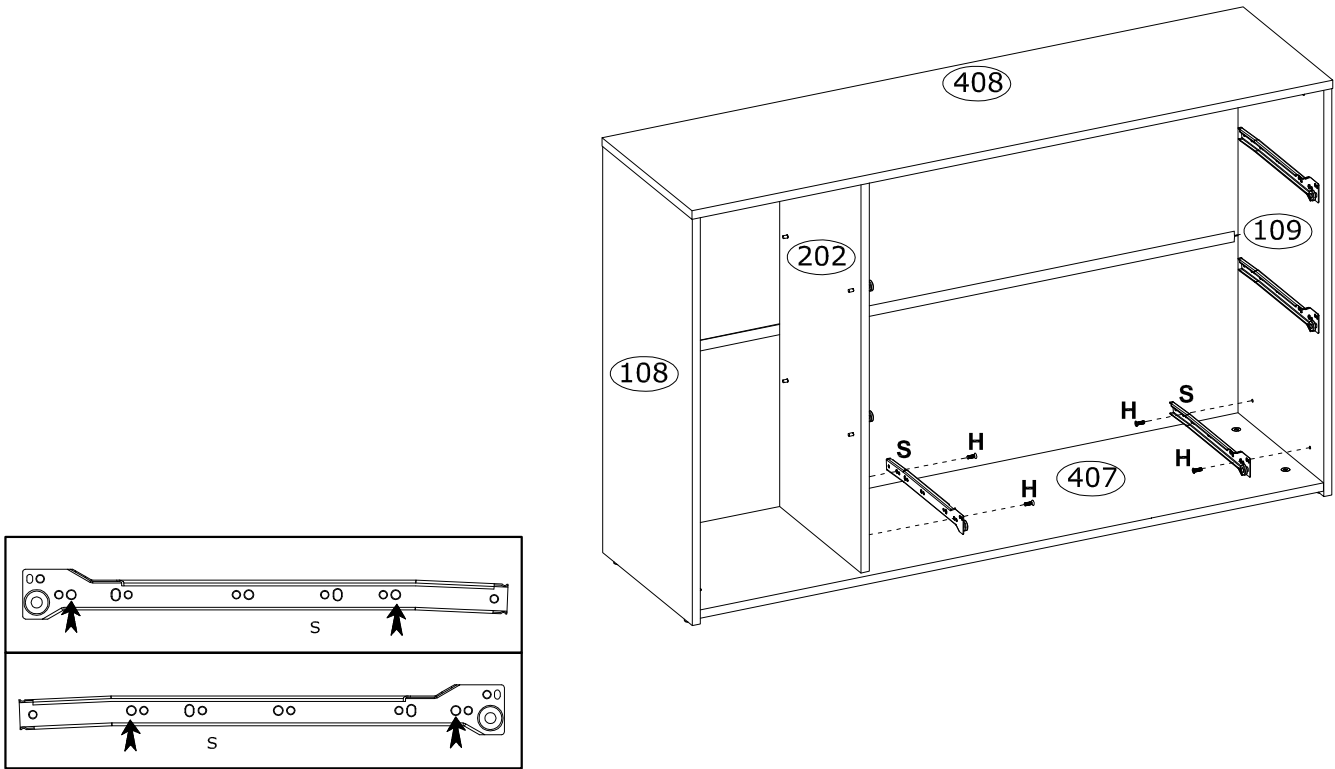
9

N	1,2X20 mm	K	15x14x11 mm
	x20 3975		x10 4044



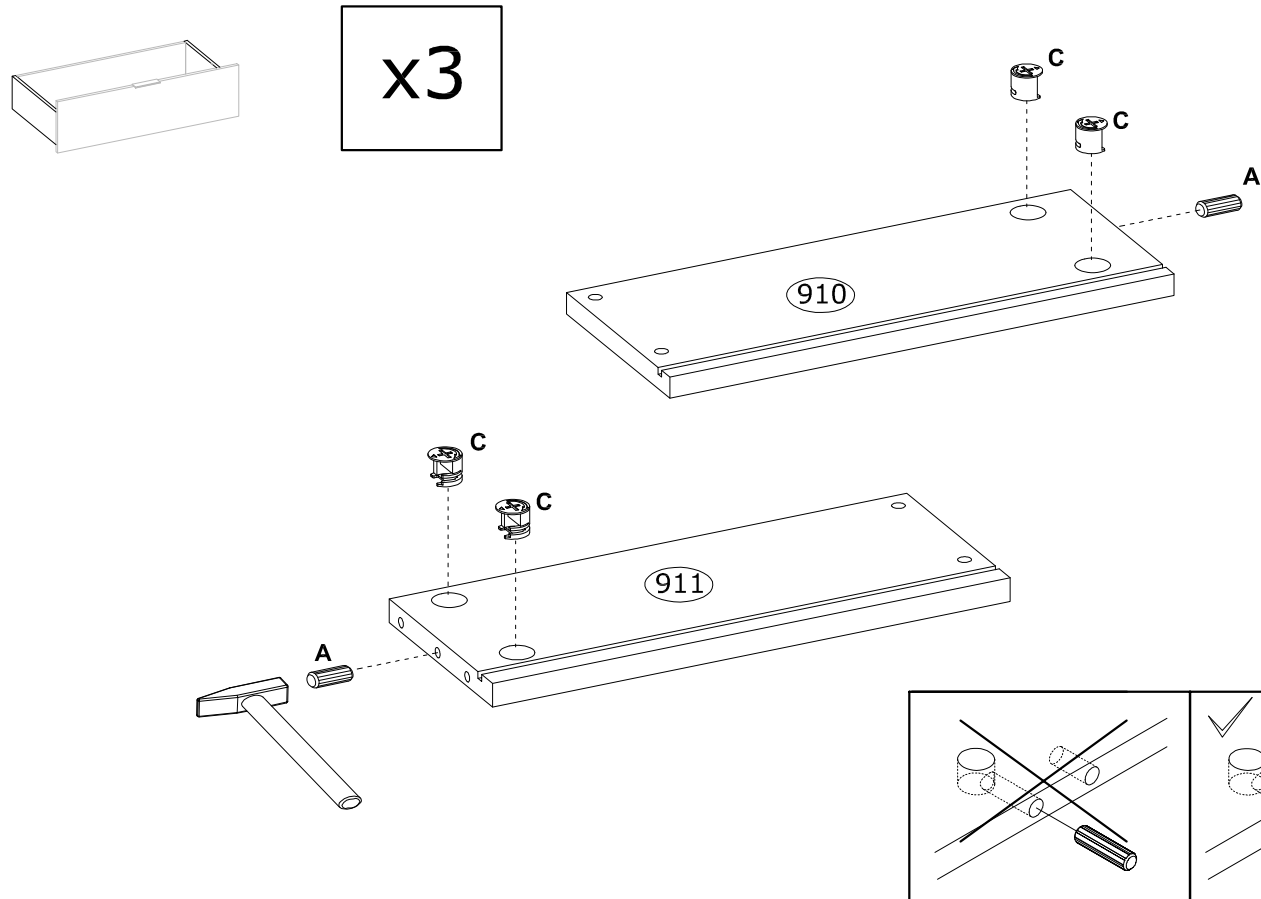
10

S  L- 300 mm x1 3802	H  6,0x13 mm x4 3877	
---	--	--



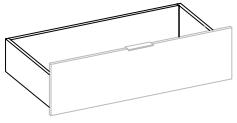
11

C  Ø15x12 mm x12 3996	A  Ø8x30 mm x6 3989	
---	---	---

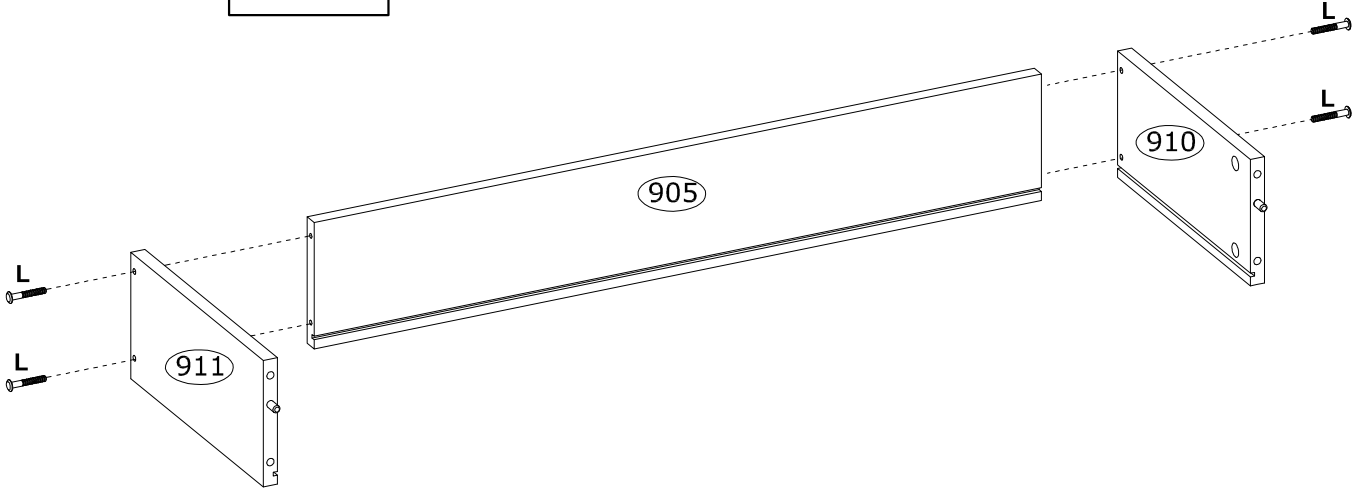


12

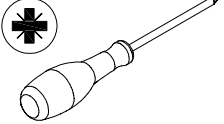



L	$\varnothing 12 \times 42$ mm		
	x12 IN01157		

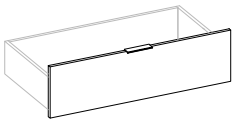


x3

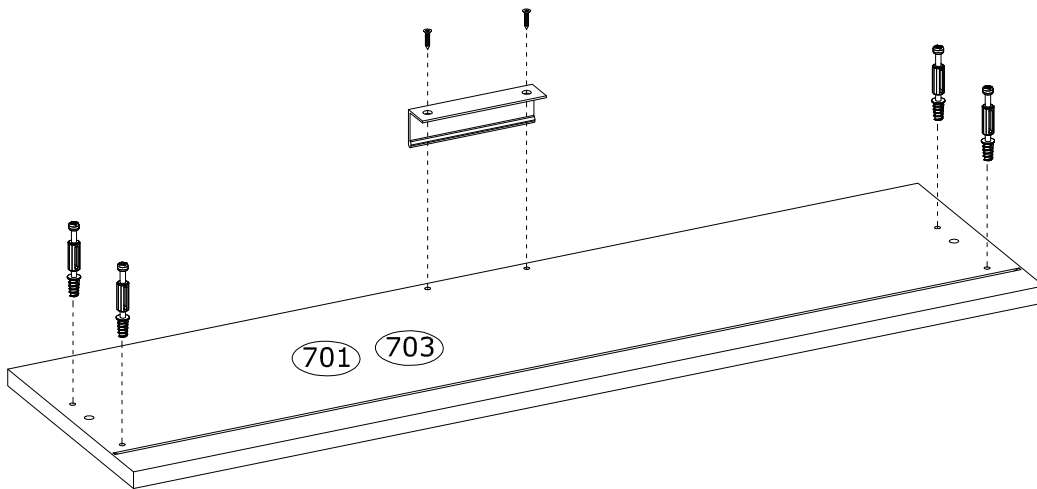


13

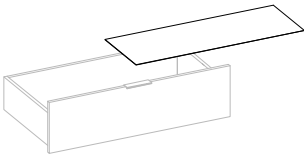
B	$\varnothing 6,5 \times 36,5$ mm	R	27X34 L-120mm	G	$\varnothing 3,5 \times 16$ mm		
	x12 4066		x3 209928		x6 3918		



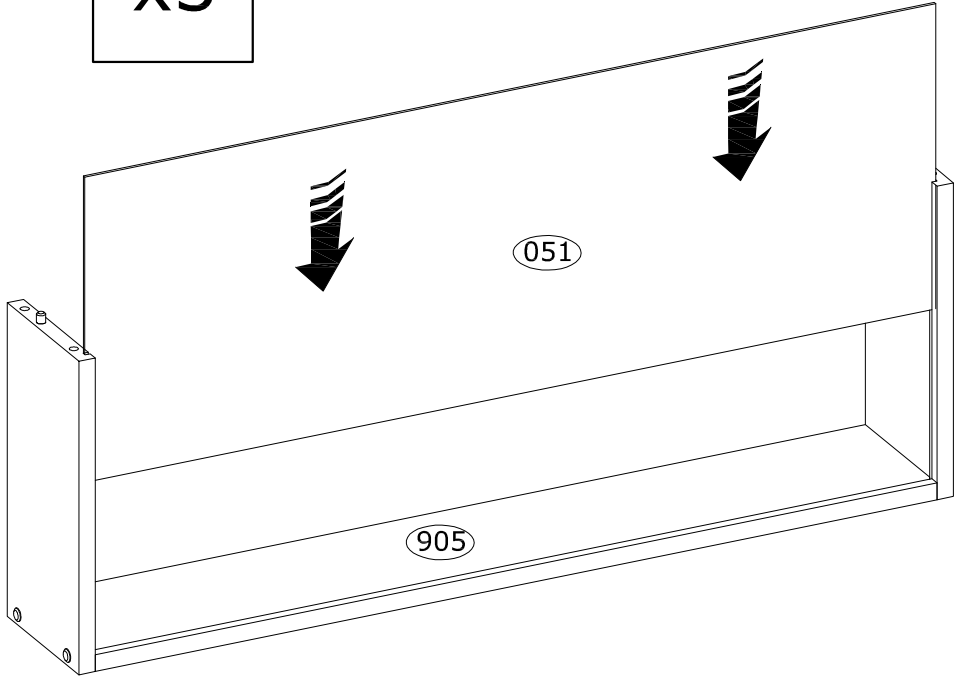
x3



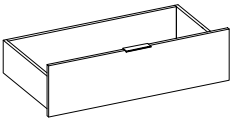
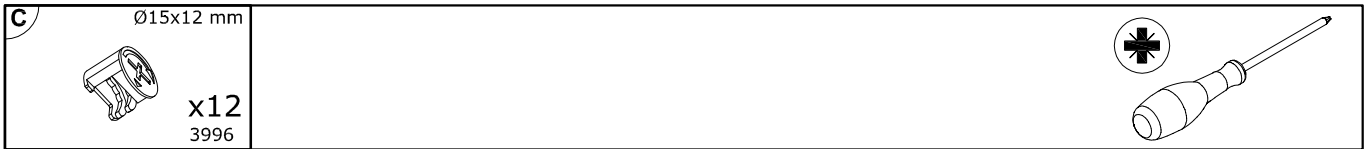
14



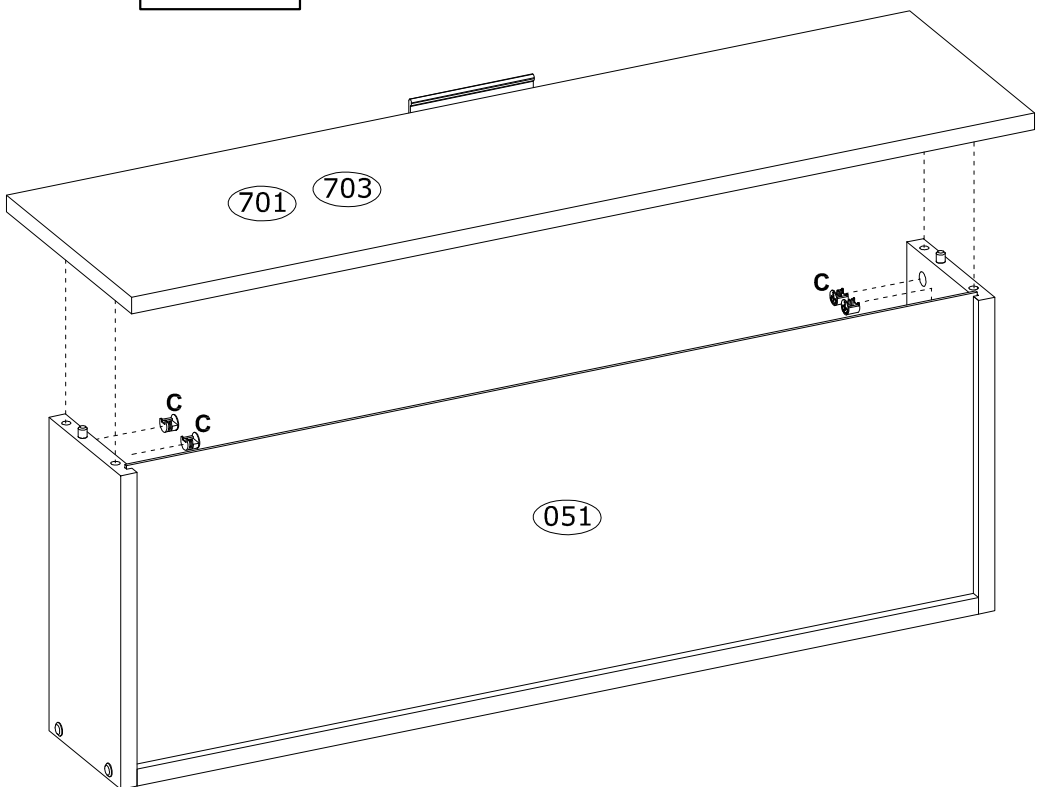
x3



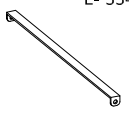

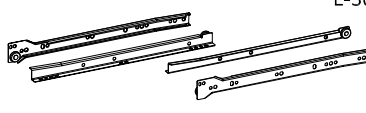

15

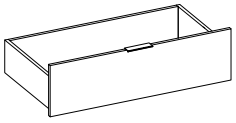


x3

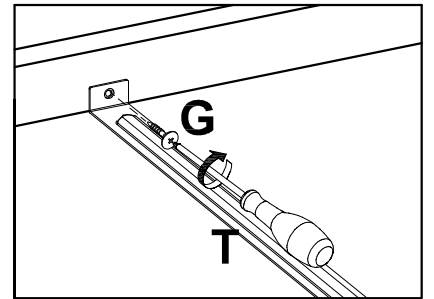
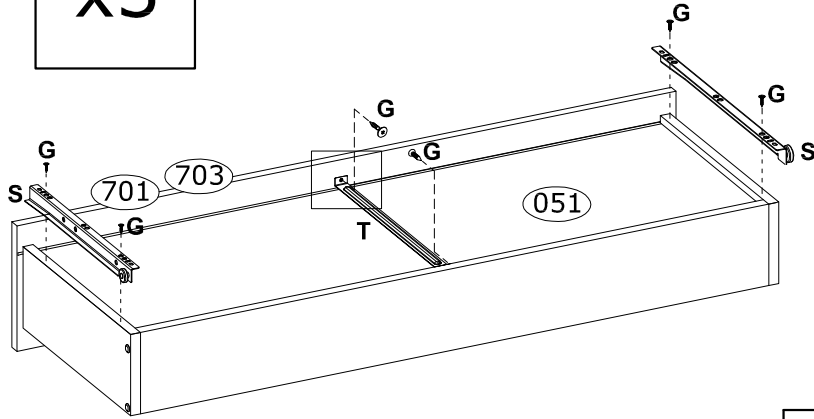


16


T L- 334 mm  x3 80867	G Ø3,5x16 mm  x18 3918	S L-300mm  x3 kpl 3802	
--	--	--	--

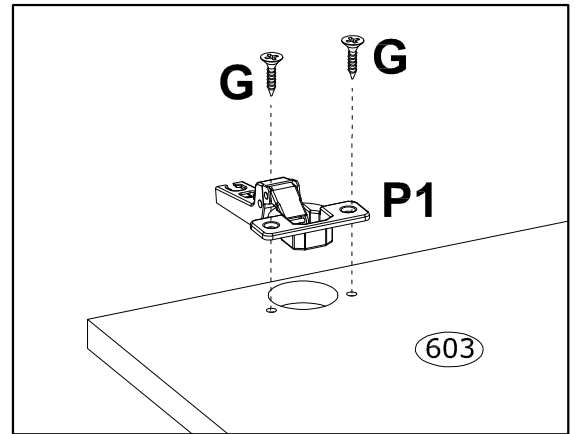
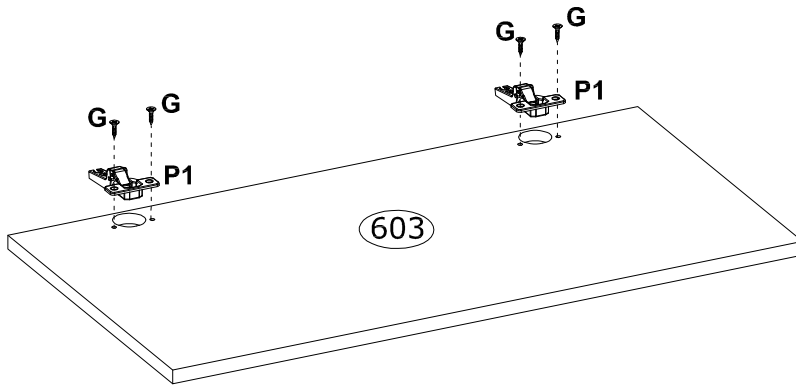


x3



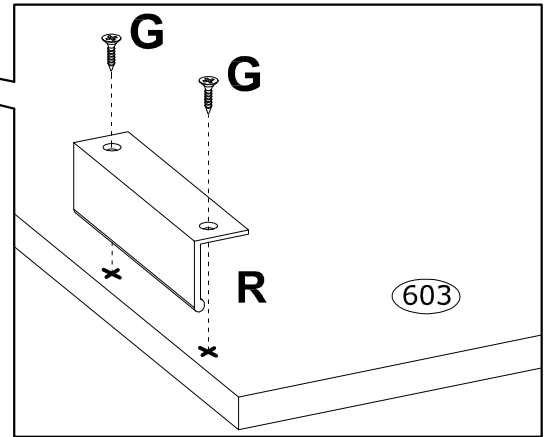
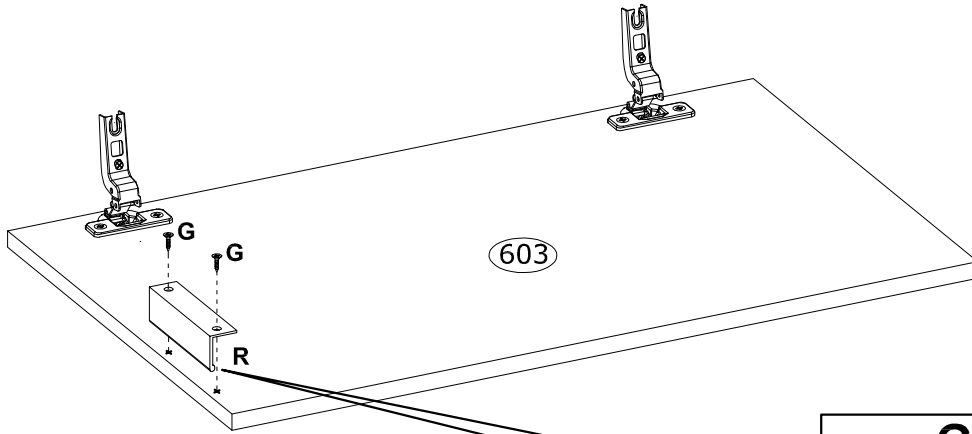
17

P Ø35 mm , KR15  x2 68850	G Ø3,5x16 mm  x4 3918	
---	---	---

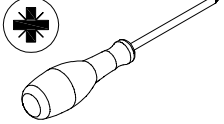


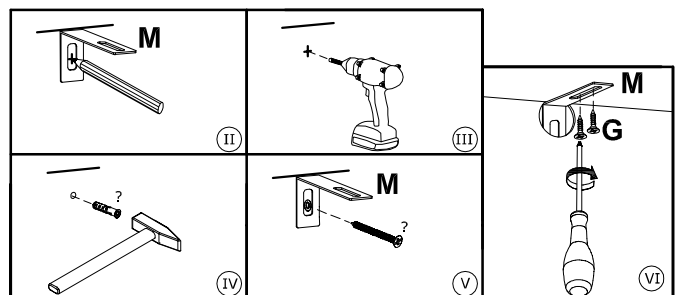
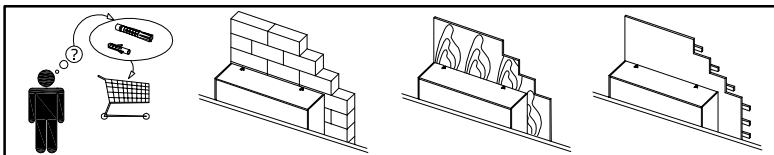
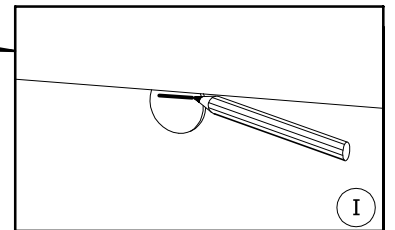
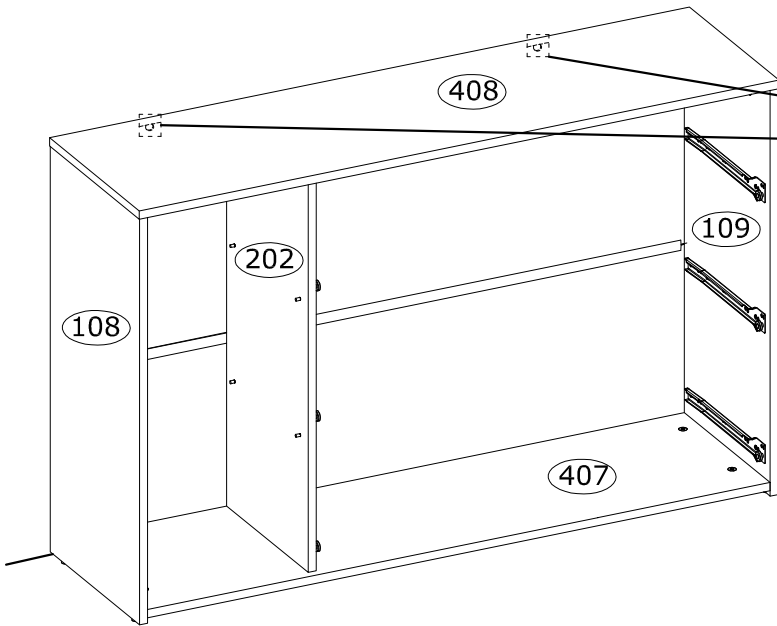
18

R 27X34 L-120mm  x1 209928	G Ø3,5x16 mm  x2 3918	
--	---	--

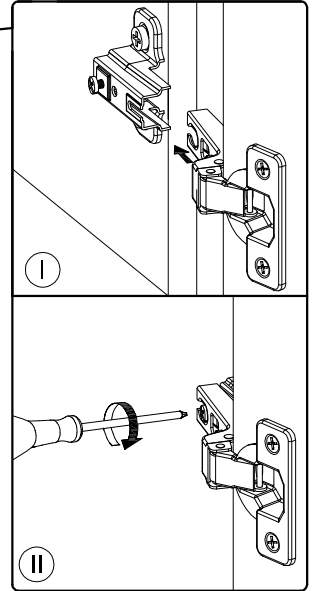
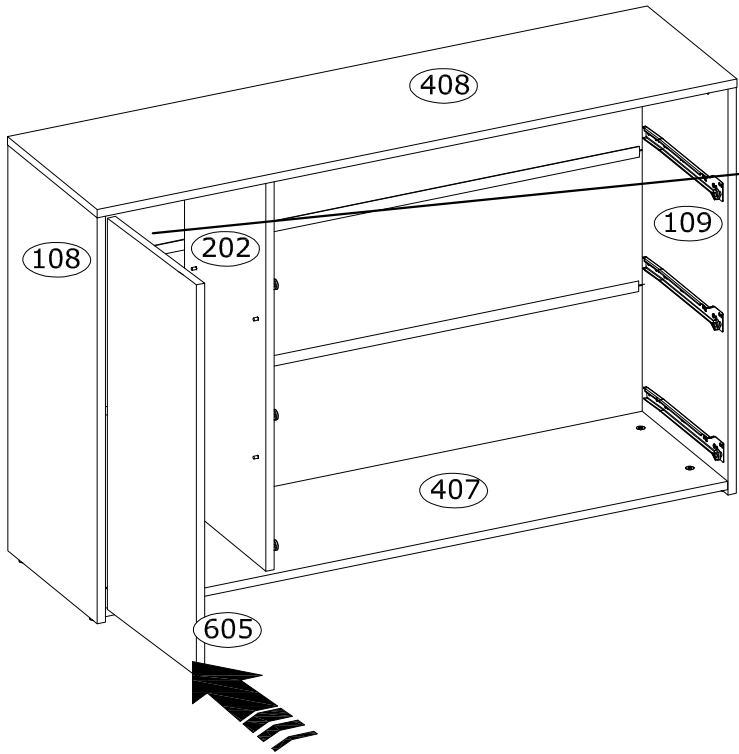
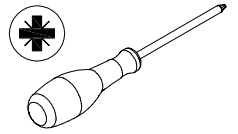


19

M 75x15x32 mm  x2 71900	G Ø3,5x16 mm  x4 3918	
---	---	---



20



21

